

Parts Catalog

Commercial Vehicle

APECITY_DLXBS3_HS_PL_CAM-LAM

PIAGGIO VEHICLES PRIVATE LIMITED

Registered Office: Bund Garden Road ,Opp. Residency Club , Pune (India)

PLATES INDEX

Sr No.	Plate Name	Plate No.	Page No.
1	ENG.200 4S/3V E2 APÃ? PAX LAM LPG/PTL MY16	1	1-2
2	CLUTCH COVER ASSEMBLY	2	3-4
3	CLUTCH GROUP	3	5-6
4	OIL PUMP ASSEMBLY	4	7-8
5	COMPLETE DIFFERENTIAL GEAR	5	9-10
6	DIFFERENTIAL GEAR COVER WITH P.I.	6	11-12
7	INTAKE FITTING - CARBURETOR	7	13-14
8	CARBURETOR	8	15-16
9	COMPLETE CRANKCASE	9	17-20
10	CYLINDER HEAD WITH I.P.	10	21-22
11	CRANKSHAFT ASSEMBLY	11	23-24
12	Aircooling Circuit Components	12	25-26
13	Timing Group	13	27-28
14	Cylinder- Piston Group	14	29-30
15	Electric Starting Group	15	31-32
16	Gear Group	16	33-34
17	Differential Gear Group	17	35-36
18	FUEL TANK/FILTER/FUEL PIPES-GAS	18	37-38
19	Engine Support	19	39-42
20	Wind Shield/Glass/Beading	21	43-44
21	MAIN FRAME/BATTERY BKT/ JACK BKT	22	45-48
22	INNER PARTS OF CABIN	23	49-50
23	REAR SUSPENSION	24	51-54
24	Steering Column And Front Suspension	25	55-58
25	Handlebar And Control	26	59-60
26	Brake-Tandem Master Cylinder ,Brake Pipe And Hand Brakes	27	61-64
27	ELECTRICAL DEVICES	28	65-68
28	FRONT FACIA & HEAD LAMP ASSY	29	69-72
29	PASSENGER AUTO RICKSHAW BODY	30	73-78
30	WIRING HARNESS	31	79-80

PLATES INDEX

Sr No.	Plate Name	Plate No.	Page No.
31	Front Brake Assembly	32	81-82
32	Rear Brake Assembly	33	83-84
33	Cables	34	85-86
34	LPG KIT	38	87-88
35	Two Stage LPG Regulator	39	89-90
36	TOOLS AND ACCESSORIES	40	91-94
37	AIR FILTER ASSEMBLY AND SNORKEL SYSTEM	7.1	95-96
38	GEAR SHIFTER AND CONTROL MECHANISM	9.1	97-98

PICTORIAL PLATES INDEX

**PLATE-1 ENG.200 4S/3V E2 APÄ? PAX LAM
LPG/PTL MY16**

Page No. :1-2

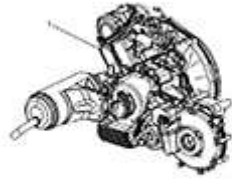


PLATE-2 CLUTCH COVER ASSEMBLY

Page No. :3-4

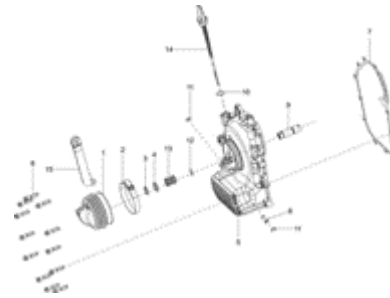


PLATE-3 CLUTCH GROUP

Page No. :5-6



PLATE-4 OIL PUMP ASSEMBLY

Page No. :7-8

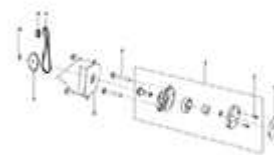
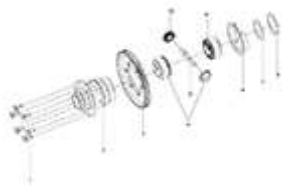


PLATE-5 COMPLETE DIFFERENTIAL GEAR

Page No. :9-10



**PLATE-6 DIFFERENTIAL GEAR COVER WITH
P.I.**

Page No. :11-12

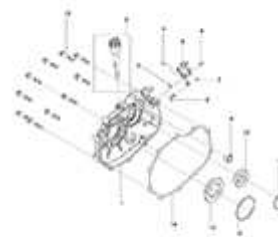
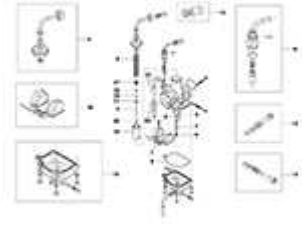
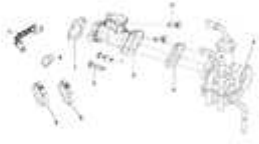


PLATE-7 INTAKE FITTING - CARBURETOR

Page No. :13-14

PLATE-8 CARBURETOR

Page No. :15-16



PICTORIAL PLATES INDEX

PLATE-9 COMPLETE CRANKCASE

Page No. :17-20



PLATE-10 CYLINDER HEAD WITH I.P.

Page No. :21-22

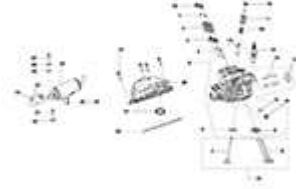


PLATE-11 CRANKSHAFT ASSEMBLY

Page No. :23-24

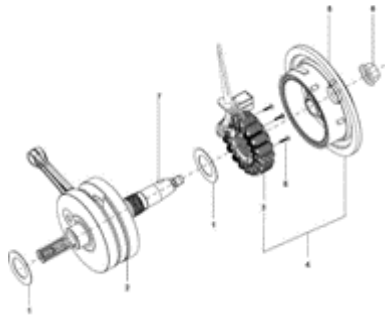


PLATE-12 Aircooling Circuit Components

Page No. :25-26

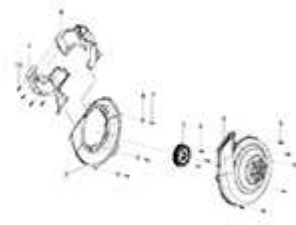


PLATE-13 Timing Group

Page No. :27-28

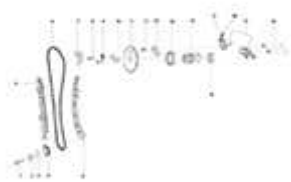


PLATE-14 Cylinder- Piston Group

Page No. :29-30

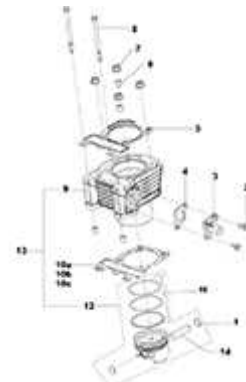
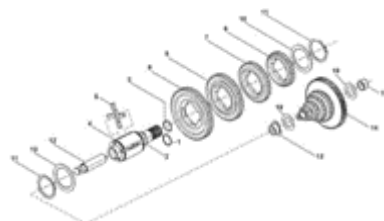


PLATE-15 Electric Starting Group

Page No. :31-32

PLATE-16 Gear Group

Page No. :33-34





PICTORIAL PLATES INDEX

PLATE-17 Differential Gear Group

Page No. :35-36

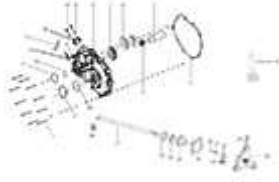


PLATE-18 FUEL TANK/FILTER/FUEL PIPES-GAS

Page No. :37-38

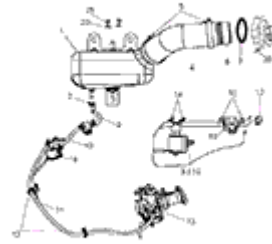


PLATE-19 Engine Support

Page No. :39-42

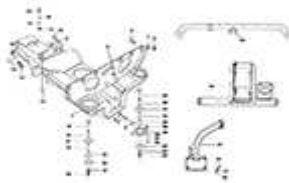


PLATE-21 Wind Shield/Glass/Beading

Page No. :43-44

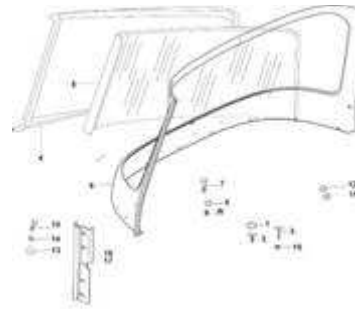


PLATE-22 MAIN FRAME/BATTERY BKT/ JACK BKT

Page No. :45-48



PLATE-23 INNER PARTS OF CABIN

Page No. :49-50

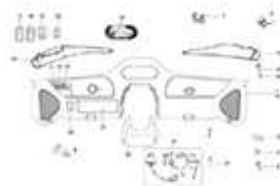


PLATE-24 REAR SUSPENSION

Page No. :51-54

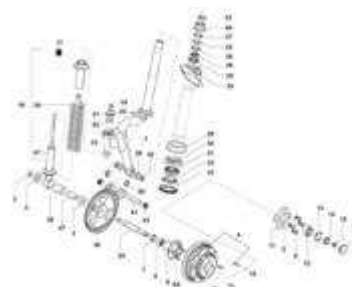
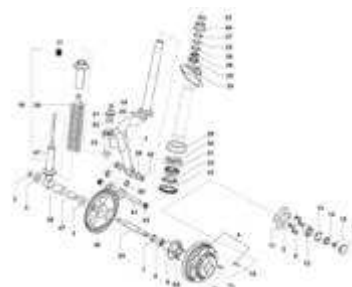


PLATE-25 Steering Column And Front Suspension

Page No. :55-58





PICTORIAL PLATES INDEX

PLATE-26 Handlebar And Control

Page No. :59-60

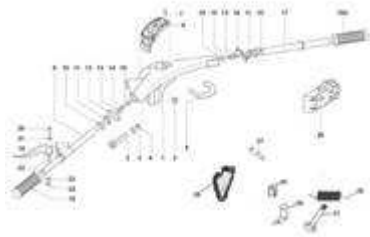


PLATE-27 Brake-Tandem Master Cylinder ,Brake Pipe And Hand Brakes

Page No. :61-64



PLATE-28 ELECTRICAL DEVICES

Page No. :65-68



PLATE-29 FRONT FACIA & HEAD LAMP ASSY

Page No. :69-72



PLATE-30 PASSENGER AUTO RICKSHAW BODY

Page No. :73-78

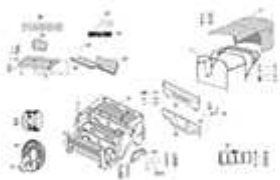


PLATE-31 WIRING HARNESS

Page No. :79-80

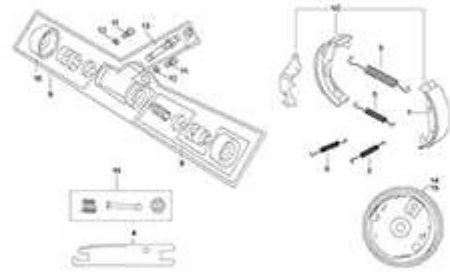
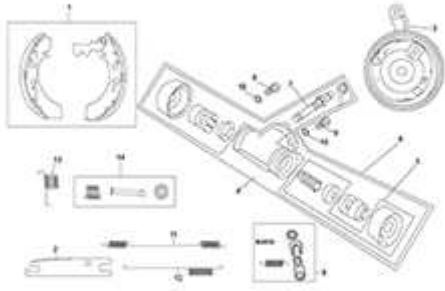


PLATE-32 Front Brake Assembly

Page No. :81-82

PLATE-33 Rear Brake Assembly

Page No. :83-84



PICTORIAL PLATES INDEX

PLATE-34 Cables

Page No. :85-86

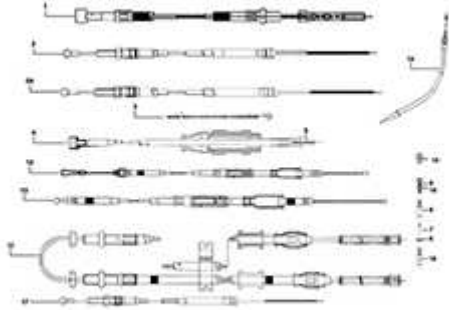


PLATE-38 LPG KIT

Page No. :87-88

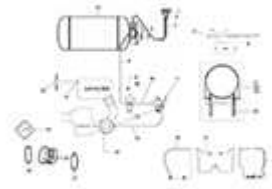


PLATE-39 Two Stage LPG Regulator

Page No. :89-90

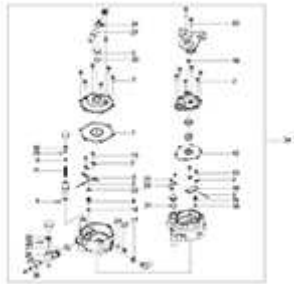


PLATE-40 TOOLS AND ACCESSORIES

Page No. :91-94



PLATE-7.1 AIR FILTER ASSEMBLY AND SNORKEL SYSTEM

Page No. :95-96



PLATE-9.1 GEAR SHIFTER AND CONTROL MECHANISM

Page No. :97-98



PLATE-1

ENG.200 4S/3V E2 APÃ? PAX LAM LPG/PTL MY16

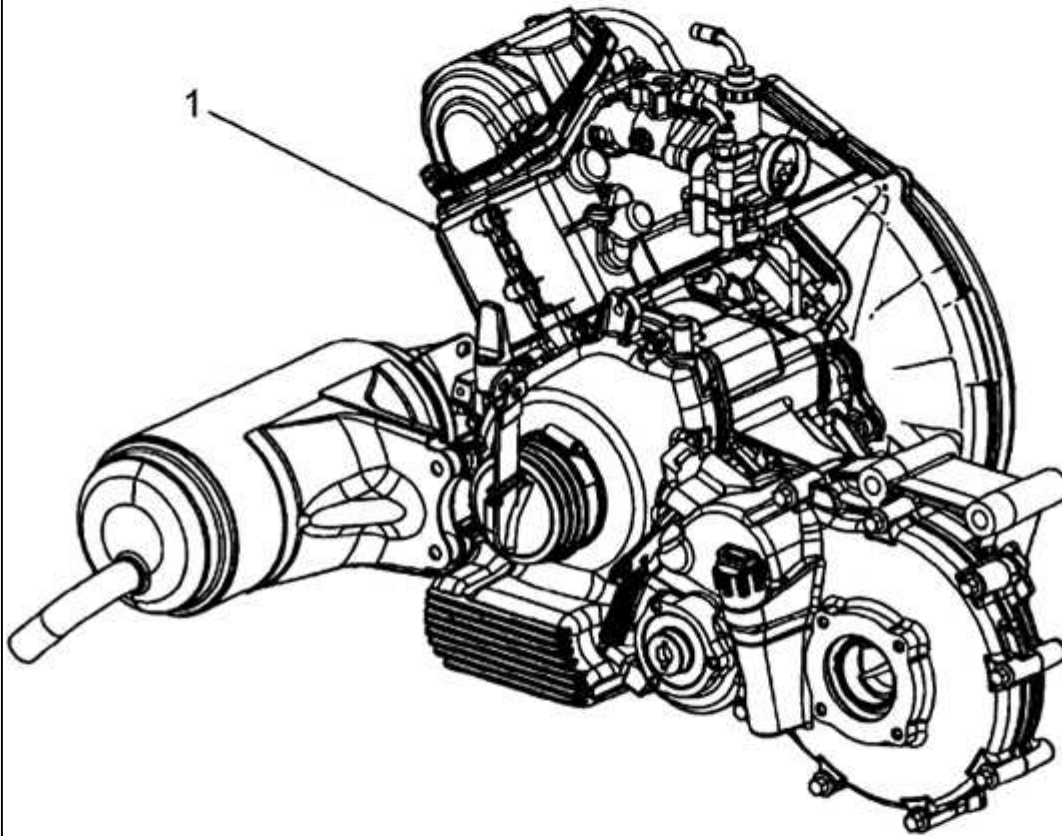


PLATE-1**ENG.200 4S/3V E2 APÃ? PAX LAM LPG/PTL MY16**

Fig. No.	Part No.	Description	Qty	Remarks
1	CM168815	ENG.200 4S/3V E2 APÉ PAX LAM LPG MY16 (F0046007)	1	
1	CM168814	ENG.200 4S/3V E2 APE PAX LAM PETROL MY16 (F0036005)	1	LAM -PTL HS

PLATE-2
CLUTCH COVER ASSEMBLY

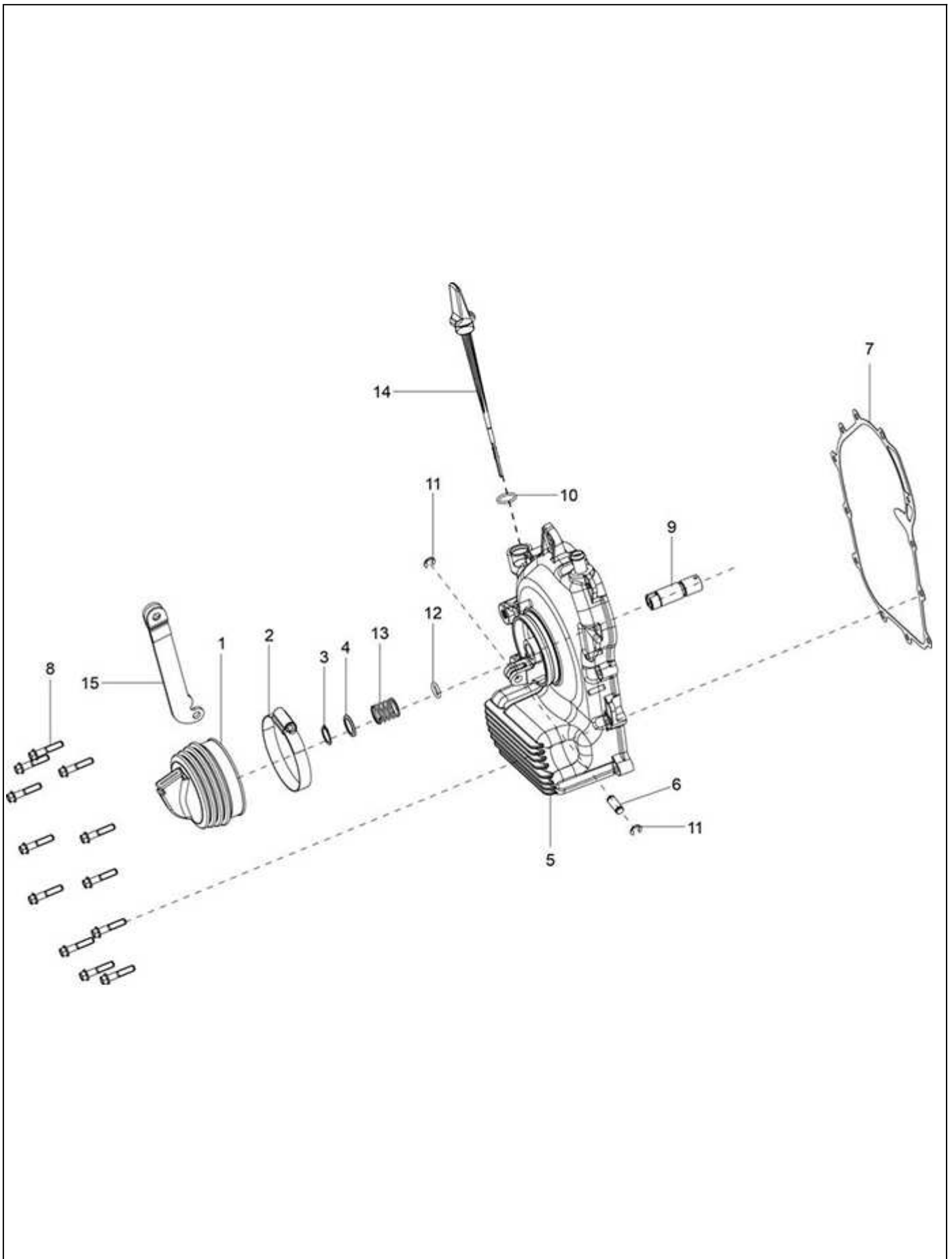


PLATE-2**CLUTCH COVER ASSEMBLY**

Fig. No.	Part No.	Description	Qty	Remarks
1	127012019	BELLOW CLUTCH ACTUATING	1	
2	120170018	HOSE CLIP - CLUTCH COVER BELOW	1	
3	842001600	CIRCLIP DIA.16(EXT)	1	
4	120164019	RETAINING PLATE	1	
5	1A005202	CLUTCH COVER WITH P.I.	1	
6	127013013	PIN CLUTCH	1	
7	1A006104	CLUTCH COVER GASKET	1	
8	B018853	FLANGED HEXAGONAL HEAD SCREW M6X30	1	
9	1A005204	PLUNGER SHAFT	1	
10	479986	O-RING GASKET	1	
11	843000809	CIRCLIP DIA.8(EXT) TYPE C	2	
12	B019220	O- RING (PLUNGER SHAFT)	1	
13	127185012	SPRING - CLUTCH COVER	1	
14	B016472	OIL DIPSTICK ASSY	1	
15	127460010	LINK ASSLY - CLUTCH (IMPROVED)	1	

PLATE-3
CLUTCH GROUP

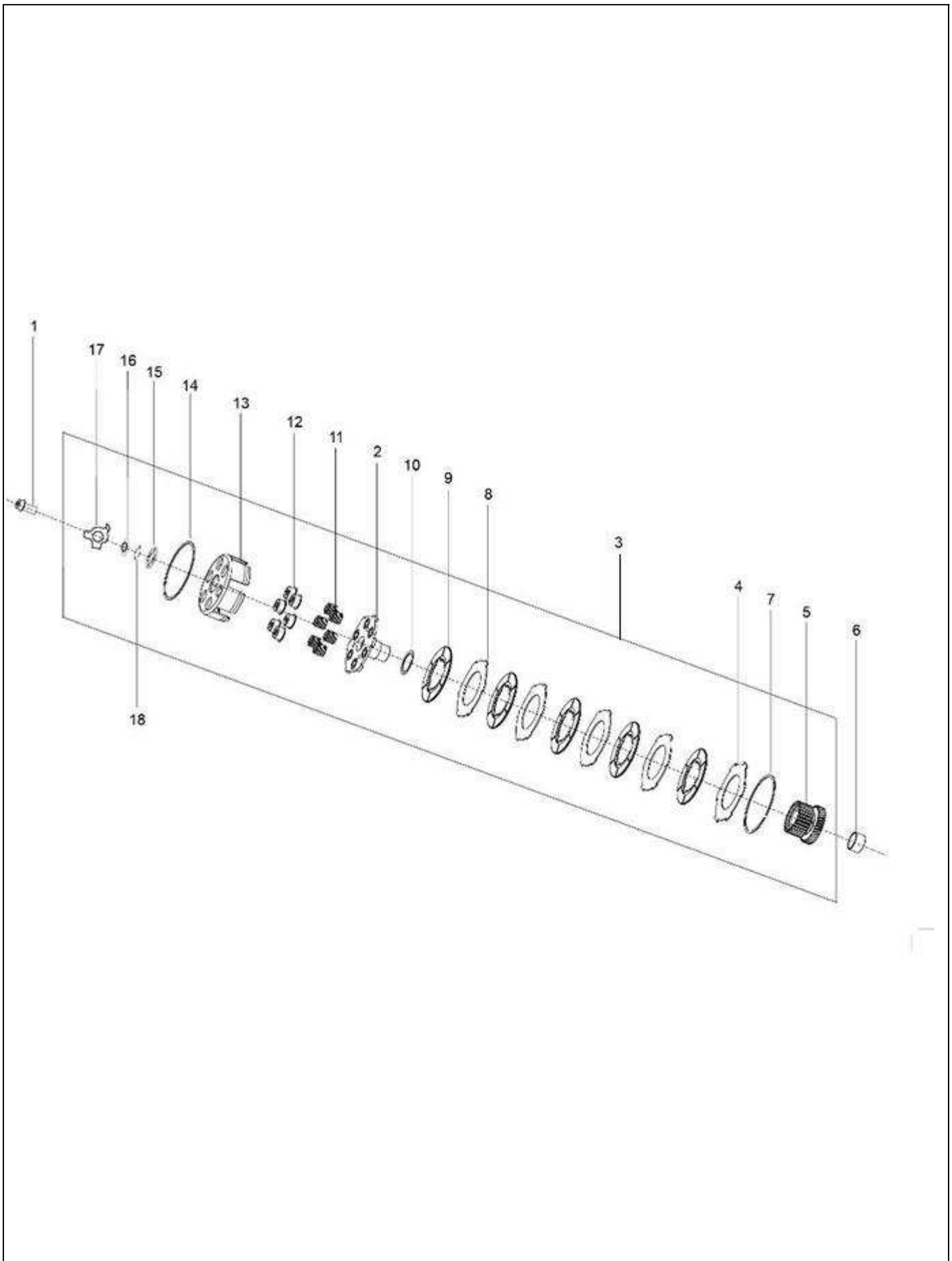


PLATE-3**CLUTCH GROUP**

Fig. No.	Part No.	Description	Qty	Remarks
1	B018678	SCREW M8X30	1	
2	1A006005	CLUTCH HUB WITH P.I.	1	
3	1A006004	COMPLETE CLUTCH ASSLY	1	
4	127693019	PRESSURE PLATE OUTER (VE)	1	
5	B015862	ENGINE GEAR	1	
6	1A007179	SPACER	1	
7	127754019	CIRCLIP - CLUTCH BOX	1	
8	127692015	DRIVING PLATE THK. 2.0 MM	4	
9	127530011	DRIVEN PLATE ASLY	5	
10	127758015	SHIM	1	
11	B023890	CLUTCH SPRING	6	
12	127757011	CUP - CLUTCH SPRING	6	
13	1A001455	CLUTCH HOUSING	1	
14	1A005414R	RING CLUTCH BOX	1	
15	1A004644	THRUST BEARING	1	
15	1A011547R	THRUST BEARING	1	
16	B016160	SPACER WASHER	1	
17	1A006634	BELLEVILLE WASHER	1	
18	286406	SPRING CLIP	1	

PLATE-4
OIL PUMP ASSEMBLY

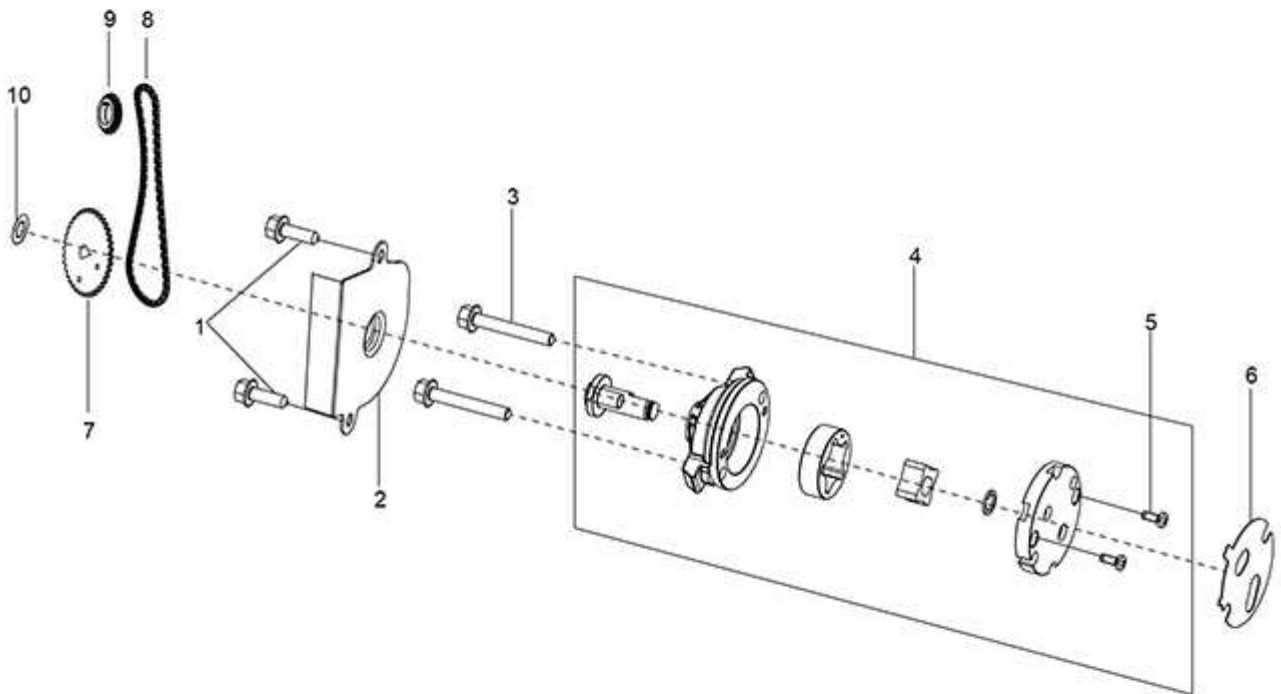


PLATE-4**OIL PUMP ASSEMBLY**

Fig. No.	Part No.	Description	Qty	Remarks
1	830061	FLANGED HEXAGONAL HEAD SCREW	2	
2	1A005170	COMPLETE OIL BULKHEAD	1	
3	829593	FLANGED HEXAGONAL HEAD SCREW	2	
4	82948R	OIL PUMP ASSEMBLY	1	
5	829593	FLANGED HEXAGONAL HEAD SCREW	2	
6	B015943	CRANKCASE/ OIL PUMP GASKET	1	
7	B017042	OIL PUMP CROWN	1	
8	B015026	OIL PUMP CHAIN 48 PITCHES	1	
9	1A001905R	OIL PUMP PINION	1	
10	B016160	SPACER WASHER	1	

PLATE-5
COMPLETE DIFFERENTIAL GEAR

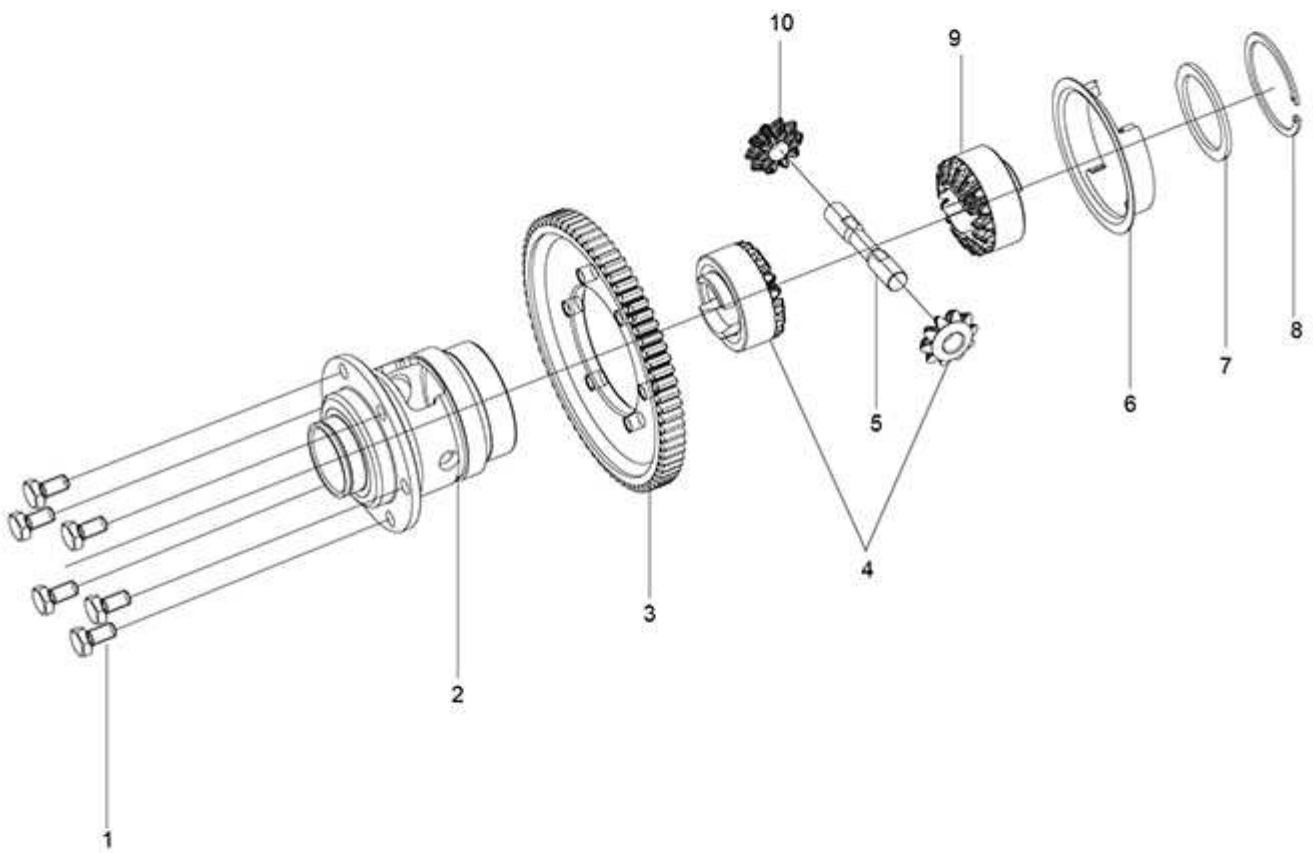


PLATE-5**COMPLETE DIFFERENTIAL GEAR**

Fig. No.	Part No.	Description	Qty	Remarks
1	1A004807	SCREW	6	
2	288730	DIFFERENTIAL CAGE	1	
3	1A008669R	DIFFERENTIAL CROWN - CNG	1	
4	940028	GEAR SUN AND DIFFERENTIAL GEAR	1	
5	132129	PIN	1	
6	132244	STOPPER THK=1.0	1	
7	220575	WASHER 65X3	1	
8	132134	CIRCLIP	2	
9	165155R	DIFFERENTIAL GEAR	2	

PLATE-6
DIFFERENTIAL GEAR COVER WITH P.I.

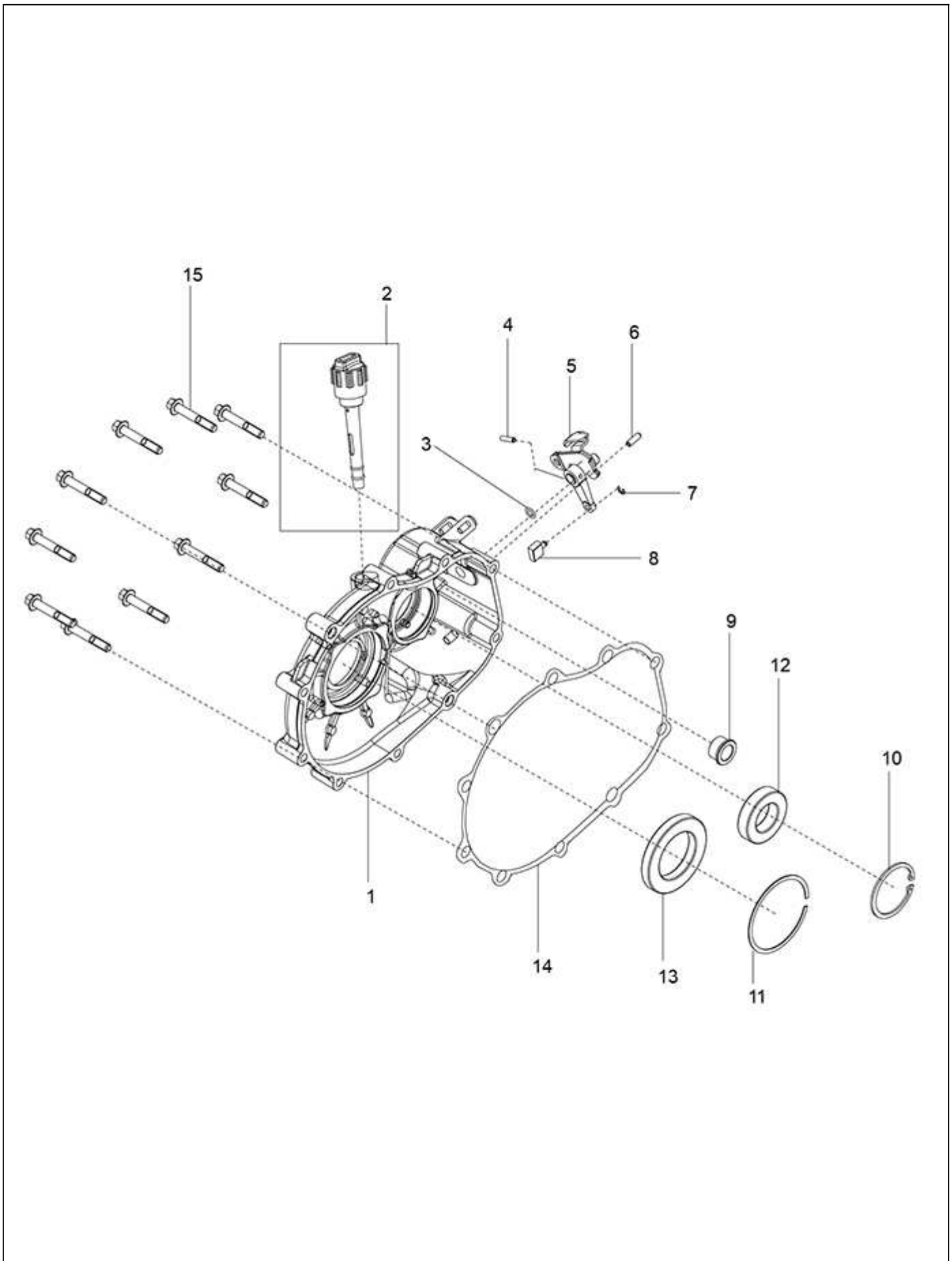


PLATE-6**DIFFERENTIAL GEAR COVER WITH P.I.**

Fig. No.	Part No.	Description	Qty	Remarks
1	B019214	DIFFERENTIAL COVER	1	
2	112898	OIL LEVEL ARM WITH PLUG	1	
2B	127016015	DIPSTICK SEALING WASHER	1	
3	1A005176	O- RING	1	
4	17702	SPRING PIN	1	
6	822051647	SPRING PIN 5X16	1	
7	843000500	CIRCLIP DIA.5 (EXT) TYPE C	1	
8	B018673	SLIDER - CNG	1	
9	B042486	BUSH	1	
10	841005506	CIRCLIP DIA. 55 (INT)	1	
11	111353	CIRCLIP	1	
12	880305509R	DEEP GROOVE BALL BEARING 30X55X13	1	
13	1A013034	RADIAL BALL BEARING	1	
14	NS	VALVE GUIDE SET	1	NS
15	1A007618	FLANGED HEXAGONAL HEAD SCREW	12	

PLATE-7
INTAKE FITTING - CARBURETOR

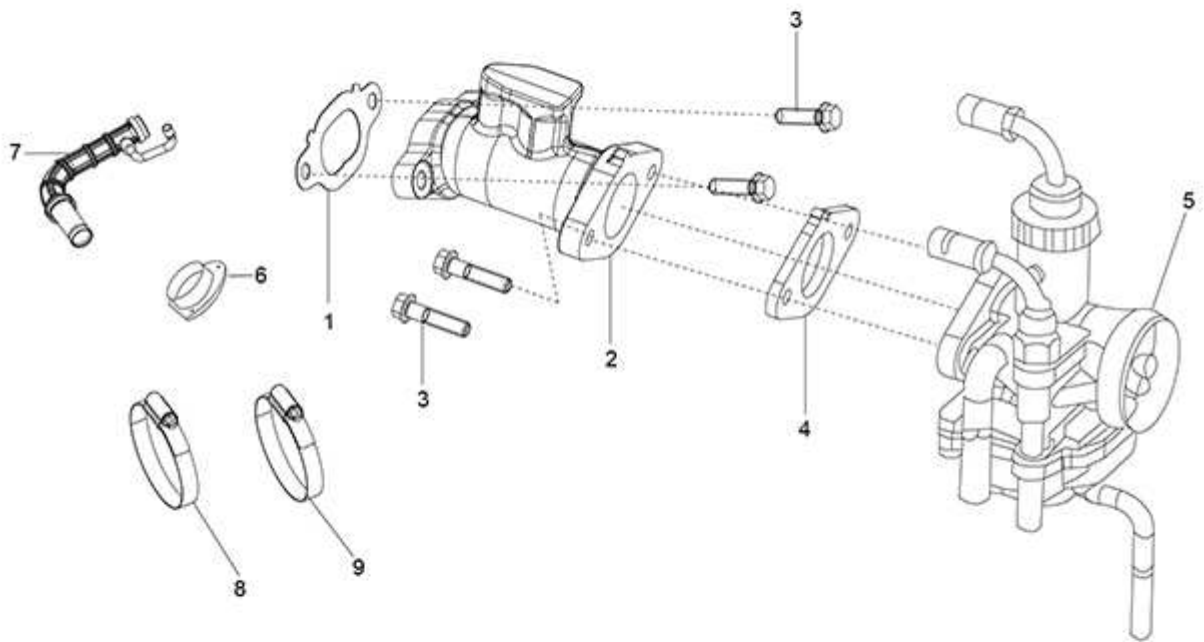


PLATE-7**INTAKE FITTING - CARBURETOR**

Fig. No.	Part No.	Description	Qty	Remarks
1	B018442	INTAKE FITTING GASKET	1	
2	B018775	INTAKE FITTING	1	
2	1A003268	INTAKE FITTING	1	LAM -PTL HS
3	18639	SCREW M6X20	4	
4	B016016	INTAKE FITTING GASKET WITH O-RING	1	
5	CM166102	CARBURETOR UVD 22-LPG	1	
5	CM271501	CARBURETOR-PTL	1	LAM -PTL HS
6	B041090	RETRACTOR FOR AIR FILTER-SNORKEL LPG	1	
7	B017443	CARB./AIR BOX COUPLING (CNG/LPG)	1	
7	1A004857	CARBURATOR/AIR BOX COUPLING	1	LAM -PTL HS
8	604756	HOSE CLIP	1	

PLATE-8
CARBURETOR

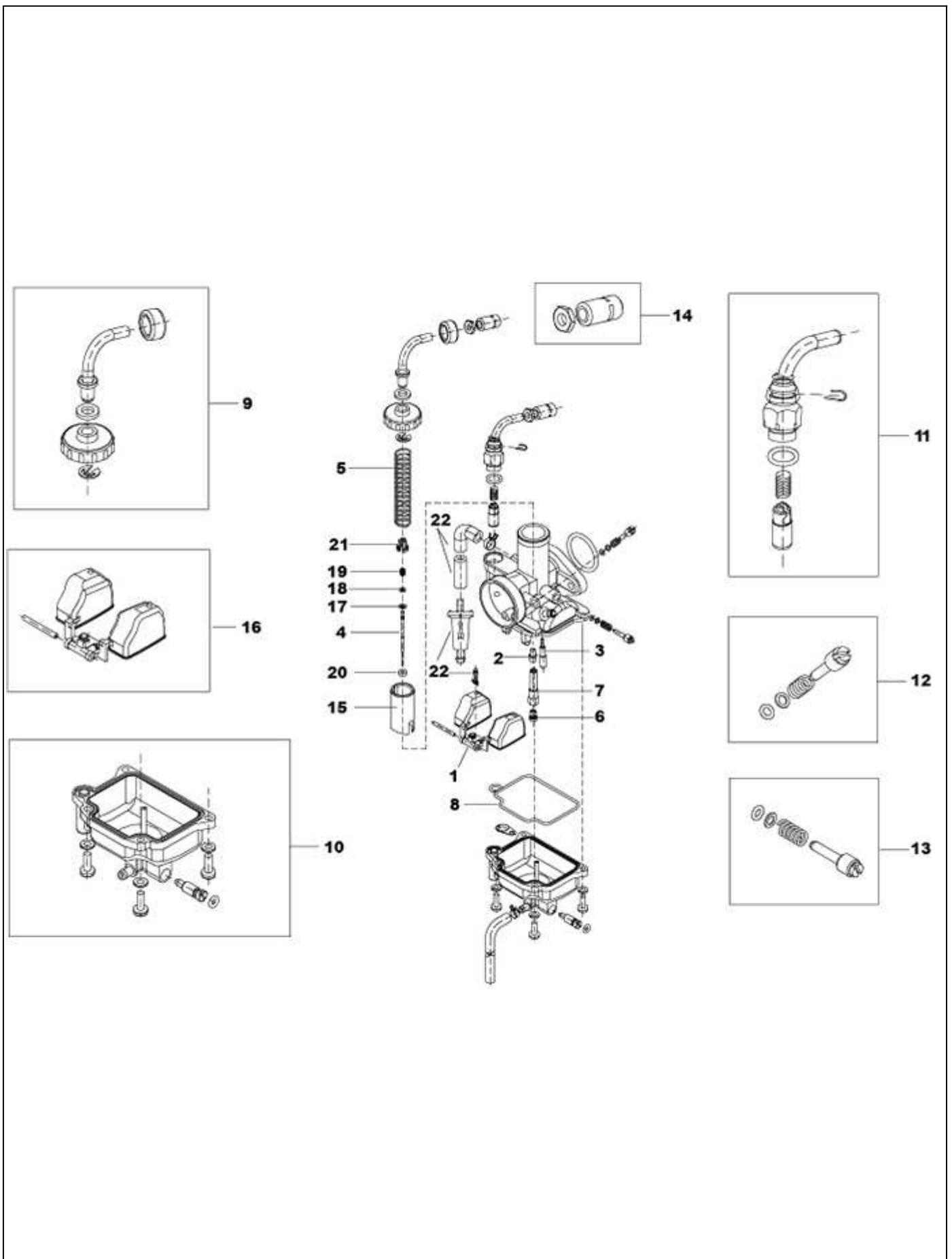


PLATE-8
CARBURETOR

Fig. No.	Part No.	Description	Qty	Remarks
1	B016823	FLOAT PIN	1	
2	CM263501	NEEDLE JET	1	
2	932320	NEEDLE JET(LAM)	1	LAM -PTL HS
3	CM167802	PILOT JET (CNG/LPG)	1	
4	CM263603	CONIC NEEDLE	1	
4	932319	JET NEEDLE(LAM)	1	LAM -PTL HS
5	B016829	SPRING (PV)	1	
6	CM167708	MAXIMUM JET	1	
6	932321	MAIN JET(LAM)	1	LAM -PTL HS
7	CM167902	DIFFUSER	1	
7	932322	JET HOLDER(LAM)	1	LAM -PTL HS
8	B016834	FLOAT CHAMBER GASKET	1	
9	B016825	GAS VALVE COVER KIT	1	
10	B016822	FLOAT CHAMBER BODY ASSY KIT	1	
11	1A000542	STARTER KIT	1	
12	CM264701	AIR SCREW KIT	1	
13	B016828	IDLE ADJUSTER KIT	1	
14	B016869	CABLE ADJUSTER KIT	1	
15	B016827	THROTTLE VALVE	1	
16	B016824	STARTER DEVICE KIT	1	
17	1A004221	E-RING	1	
18	1A004222	PACKGING	1	
19	1A004223	SPRING	1	
20	1A004224	RING	1	
21	1A004225	HOLDER	1	
22	B017542	NEEDLE VALVE KIT	1	

PLATE-9
COMPLETE CRANKCASE

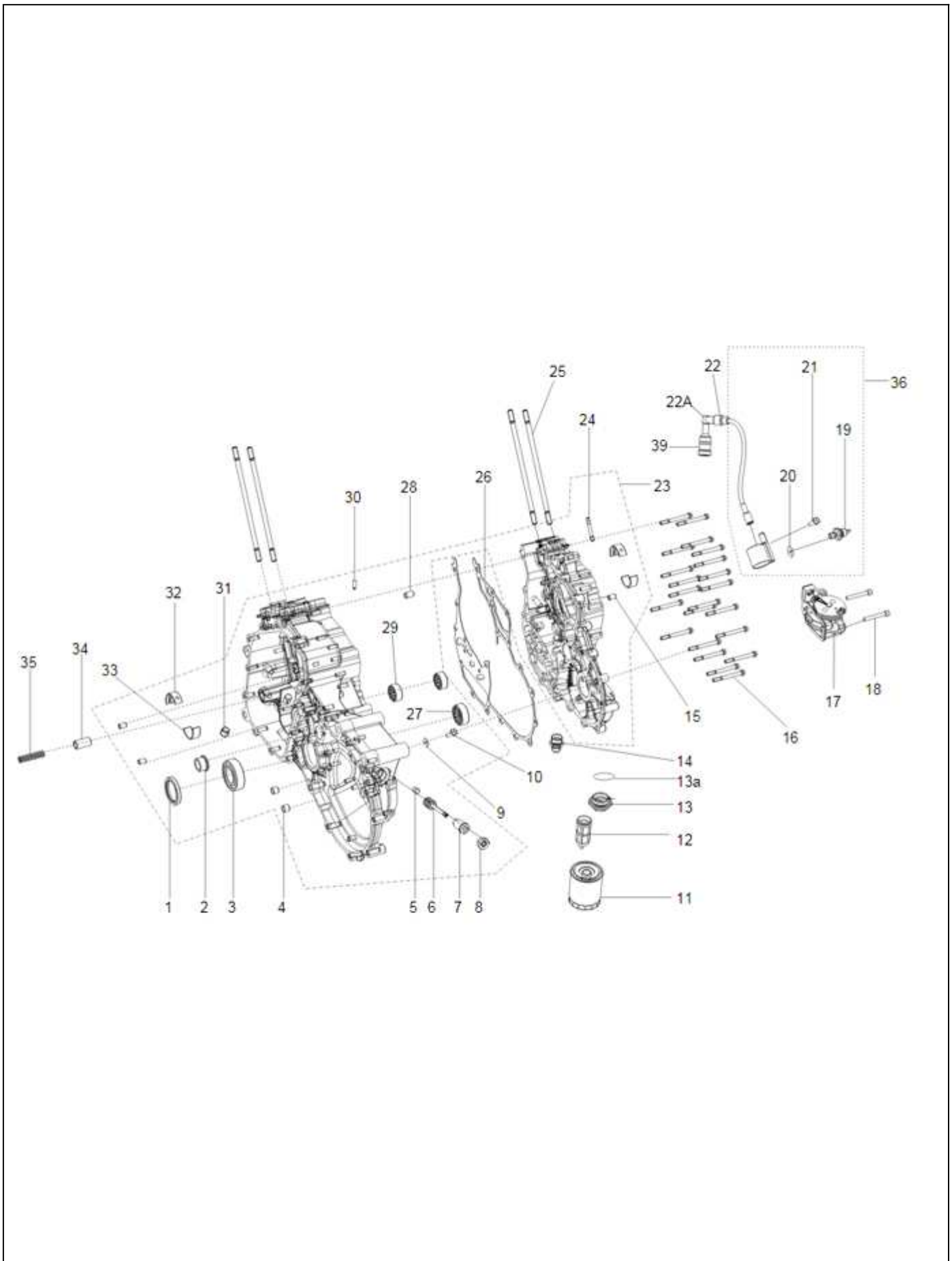


PLATE-9**COMPLETE CRANKCASE**

Fig. No.	Part No.	Description	Qty	Remarks
1	1A002685	SEAL RING 35X47X6	1	
2	B042486	BUSH	1	
3	880255211R	DEEP GROOVE BALL BEARING 25X52X15	1	
4	B015591	REFERENCE DOWEL	2	
5	165121014	PIN	1	
6	117404	SPEEDOMETER GEAR	1	
7	117401	BUSH	1	
8	117402	OIL SEAL	1	
9	B017178	WASHER	1	
10	B018718	EXAG. SOCKET CYLIND.HEAD SCREW M5X14	1	
11	1A009762	OIL FILTER SCREW	1	
12	83065R	INTAKE OIL FILTER COMPLETE	1	
13	B015598	OIL FILTER PLUG	1	
13A	285536	O-RING GASKET 31.47X1.78	1	
14	1A009762	OIL FILTER SCREW	1	
15	1A000708	DOWEL (Ø7,5, H=12)	4	
16	432142	HEXAGONAL RANGE HEAD SCREW (M6X35)	22	
17	SP1A006196	COMPLETE GEAR SELECTOR BOX	1	
18	819064530	SOCKET HEAD CAP SCREW M6X45	2	
19	1D001138	MINIMUM PRESSURE OIL SWITCH	1	
20	1A011500	WASHER	1	
21	414837	SCREW M6X20	2	
22	642537	PROTECTION CAP	1	
22A	643149	SPARK PLUG CAP	1	
23	SP940037	COMPLETE CRANKCASE	1	
24	B019246	DOWEL	1	
25	B014755	STUD SCREW	4	
26	B015941	HALF-CRANKCASE GASKET	1	
27	120212012	NEEDLE BUSH	1	
28	B015592	REFERENCE DOWEL (D.9,5 H=15)	2	
29	884222808	NEEDLE BUSH 22X28X12	2	
30	484034	SIZING NOZZLE	1	
31	1A011246	TAPER THREAD PLUG	1	
32	1A007663R	CRANKSHAFT STUB UPPER HALF BEARING	2	
33	1A007664R	CRANKSHAFT STUB LOWER HALF BEARING	2	

PLATE-9
COMPLETE CRANKCASE

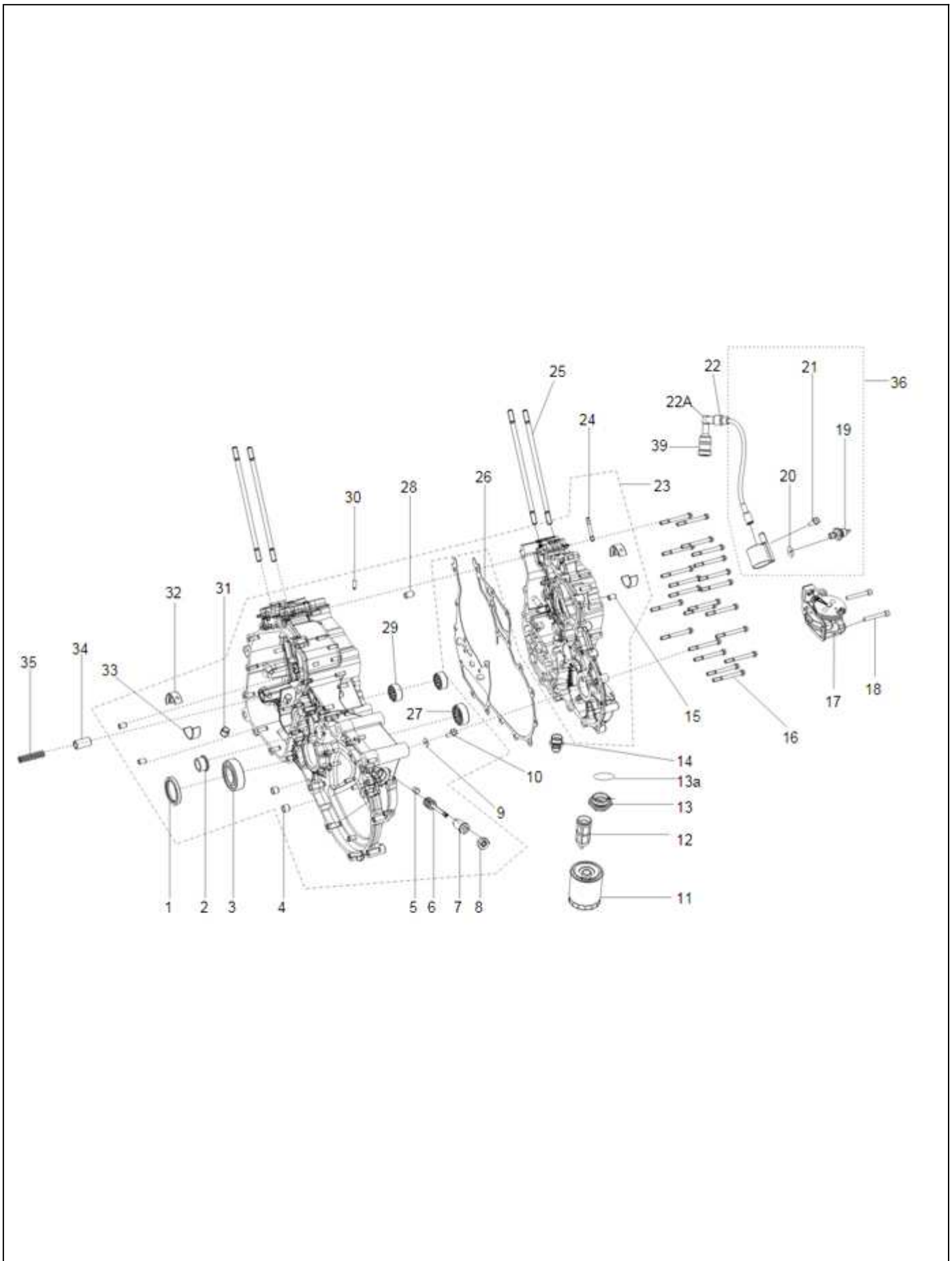


PLATE-9**COMPLETE CRANKCASE**

Fig. No.	Part No.	Description	Qty	Remarks
34	829661	OIL PRES.VALVE	1	
35	485655	SPRING FOR OIL PRESSURE VALVE	1	
36	1A001794	COMPLETE H.T.COIL	1	
37	1A001283	OIL FILTER PROTECTION BRACKET (N.I.)	1	
38	B019219	OIL SUCTION INSERT	1	N.I
39	1A001795	SPARK PLUG PROTECTION COLLAR	1	

PLATE-10
CYLINDER HEAD WITH I.P.

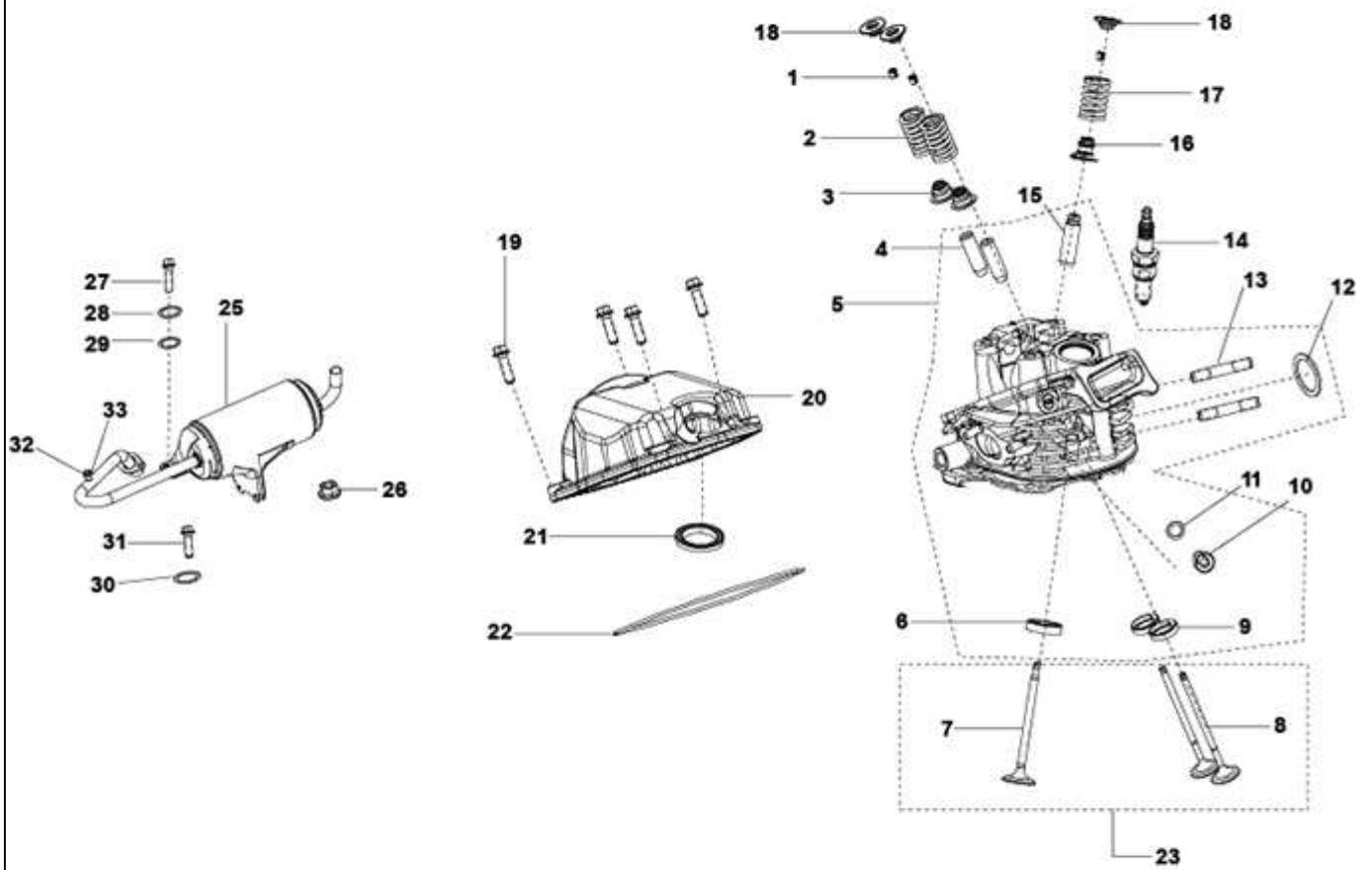


PLATE-10**CYLINDER HEAD WITH I.P.**

Fig. No.	Part No.	Description	Qty	Remarks
1	B015288	HALF-CONE	3	
2	B014706	VALVE SPRING (INTAKE)	2	
3	843307	VALVE SEAL RING	2	
3A	1A012925	SLIDING WASHER	2	
4	NS	VALVE GUIDE SET	2	NS
5	SP1A012928	CYLINDER HEAD ASSY	1	
6	B017336	EXHAUST VALVE SEAT	1	
7	B017438	EXHAUST VALVE Ø22	1	
8	B014684	INTAKE VALVE Ø20	2	
9	B017230	INTAKE VALVE SEAT	2	
10	269755	SOCKET HEAD SCREW (M8X12)	1	
11	485703	WASHER	1	
12	434716	CYLINDER HEAD/MUFFLER GASKET	1	
13	B016368	SPECIAL STUD	2	
14	643367	SPARK PLUG	1	
15	NS	VALVE GUIDE SET	1	NS
16	83054R	VALVE SEAL RING	1	
17	B014705	VALVE SPRING (EXHAUST)	1	
18	B017456	UPPER CUP	3	
19	1A002691	FLANGED HEX HEAD SCREW M6X20 CL10	4	
20	B019350	HEAD COVER	1	
21	B014732	SPARK PLUG HOLE GASKET	1	
22	B018533	CYLINDER HEAD COVER GASKET	1	
23	KIT1U000020	SET OF VALVES	1	
24	NS	VALVE GUIDE SET	1	NI
25	1A005024	MUFFLER ASSY-LPG	1	
26	436947	FLANGED NUT M7X1 H=8	2	
27	30074	HEX HEAD BOLT M8 X 40 CL 8.8	2	
28	16408	SPRING WASHER M8	2	
29	3056	PLAIN WASHER	2	
30	16406	SPRING WASHER	2	
31	31089	HEX HEAD SCREW M6X18 CL 8.8	2	
32	433122	SCREW M10X6	1	
33	16195	WASHER	1	

PLATE-11
CRANKSHAFT ASSEMBLY

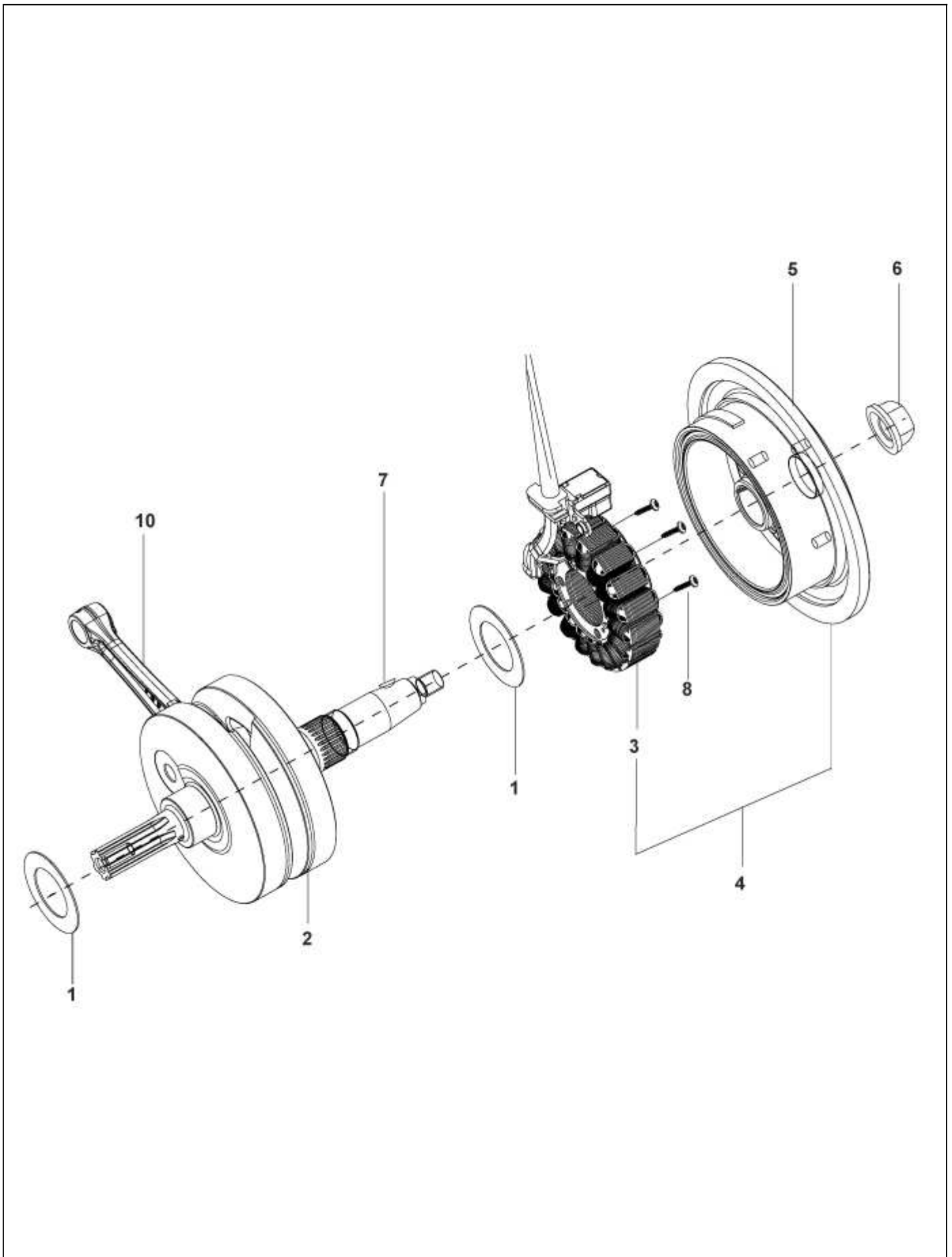


PLATE-11**CRANKSHAFT ASSEMBLY**

Fig. No.	Part No.	Description	Qty	Remarks
1	B016144	WASHER	2	
2	SP1A008092	CRANKSHAFT ASSEMBLY WITH THREADED CAP-ONLY FOR LAM ENGINE	1	LAM ENGINE
3	680075	STATOR ASSLY	1	
4	58295R	COMPLETE A.C.GENERATOR	1	
5	680070	ROTAR ASSY WITH HUB	1	
6	436783	NUT WITH SPRING WASHER	1	
7	000267	WOODRUFF KEY	1	
8	1A000404	CYLINDRICAL HEAD WITH CROSS MOULD SCREW	3	
9	1A006002	DOWEL	1	(N.I)
10	1A008613	CONNECTING ROD WITH IP-CRANK PIN GROUP	1	

PLATE-12
Aircooling Circuit Components

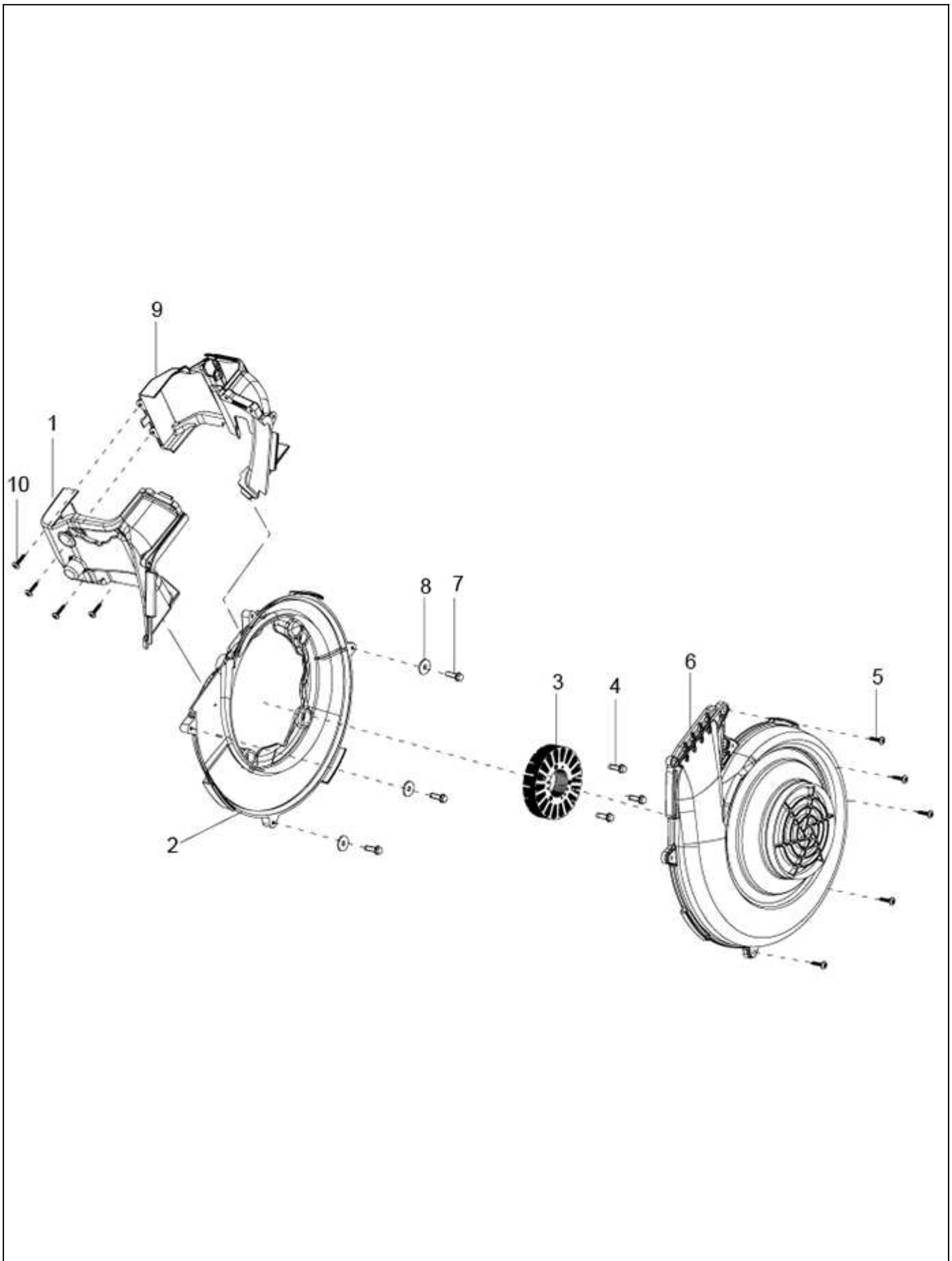


PLATE-12**Aircooling Circuit Components**

Fig. No.	Part No.	Description	Qty	Remarks
1	B018023	COMPLETE SHROUD INTAKE SIDE	1	
2	B015931	FAN COVER SUPPORT	1	
3	1A000831	ASSY FAN	1	
4	1A002691	FLANGED HEX HEAD SCREW M6X20 CL10	3	
5	1A000024	SELF TAPPING SCREW (3X20)	9	
6	B017377	FAN COVER	1	
7	18639	SCREW M6X20	4	
8	B016192	WASHER 6.2X20X2	4	
9	B018025	SHROUD EXHAUST SIDE	1	
10	B016620	SCREW WITH CYLINDRICAL HEAD M5X21	1	

PLATE-13
Timing Group

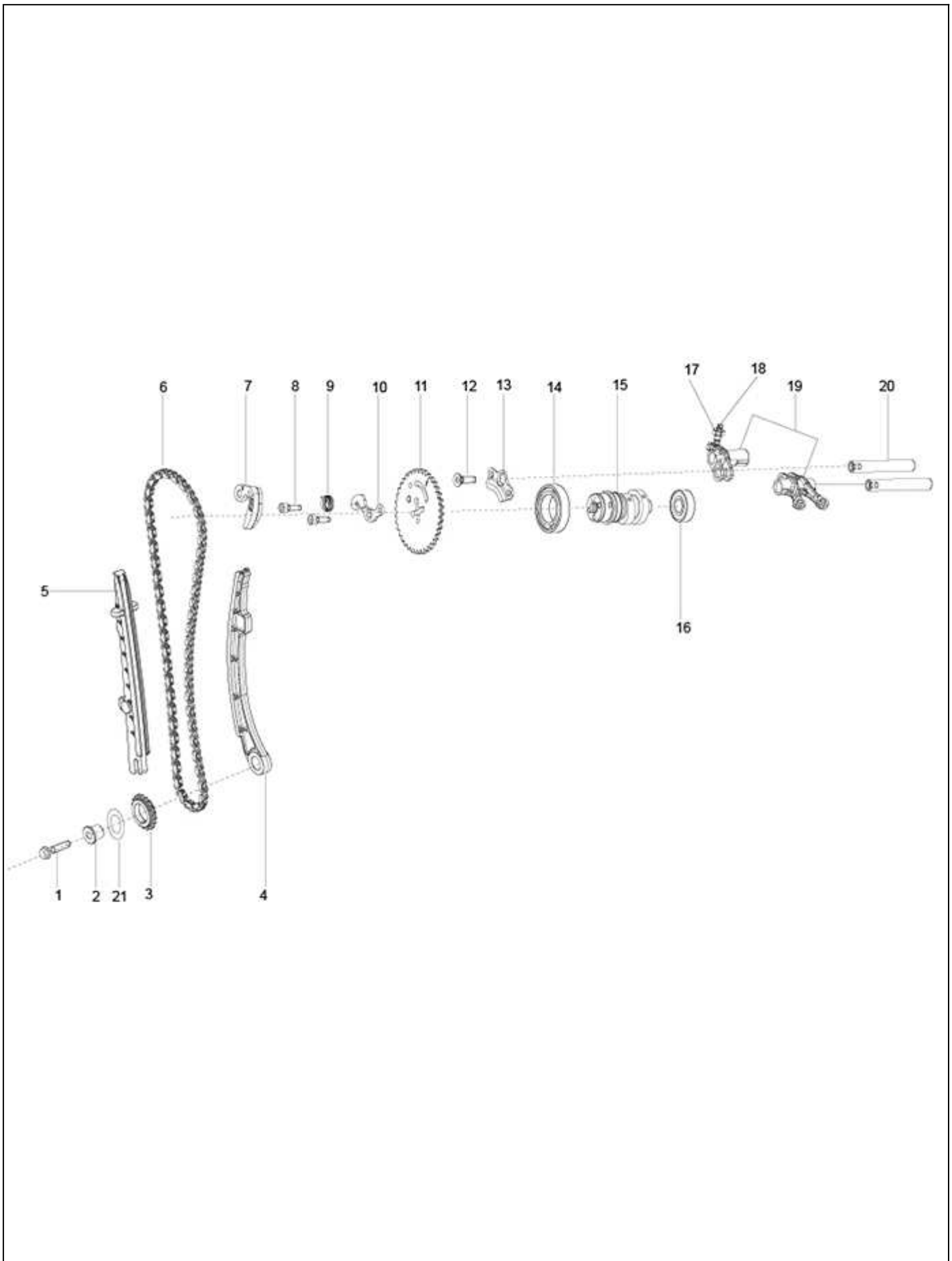


PLATE-13**Timing Group**

Fig. No.	Part No.	Description	Qty	Remarks
1	B016774	FLANGED HEXAGONAL SCREW M6X25	1	
2	485868	SPACER FOR CHAIN TIGHTNING ROD	1	
3	B015017	TIMING PINION	1	
4	1A004875	CHAIN TIGHTENING ROD	1	
5	B014997	FIXED PAD	1	
6	1A001114R	TIMING CHAIN	1	
7	SP1A006405	CENTRIFUGAL MASS WITH I.P.	1	
8	B018718	EXAG. SOCKET CYLIND.HEAD SCREW M5X14	2	
9	B015483	DECOMPRESSION SPRING	1	
10	1A008397	CENTRIFUGAL MASS CONTAINMENT SHEET	1	
11	1A002358	TIMING CROWN	1	
12	B018946	COUNTERSUNK SCREW M6X18	1	
13	B014760	CAMSHAFT CONTAINMENT SHEET-STEEL	1	
14	83041R	DEEP GROOVE BALL BEARING	1	
15	B017746	CAMSHAFT WITH I.P.	1	
16	83040R	DEEP GROOVE BALL BEARING	1	
17	B017323	VALVE ADJUSTMENT SCREW	3	
18	B017431	ROCKER ARM NUT	3	
19	1A013013	ROCKER ARM GROUP	1	
20	B017113	ROCKER ARM SHAFT	2	
21	B018356	WASHER	1	

PLATE-14
Cylinder- Piston Group

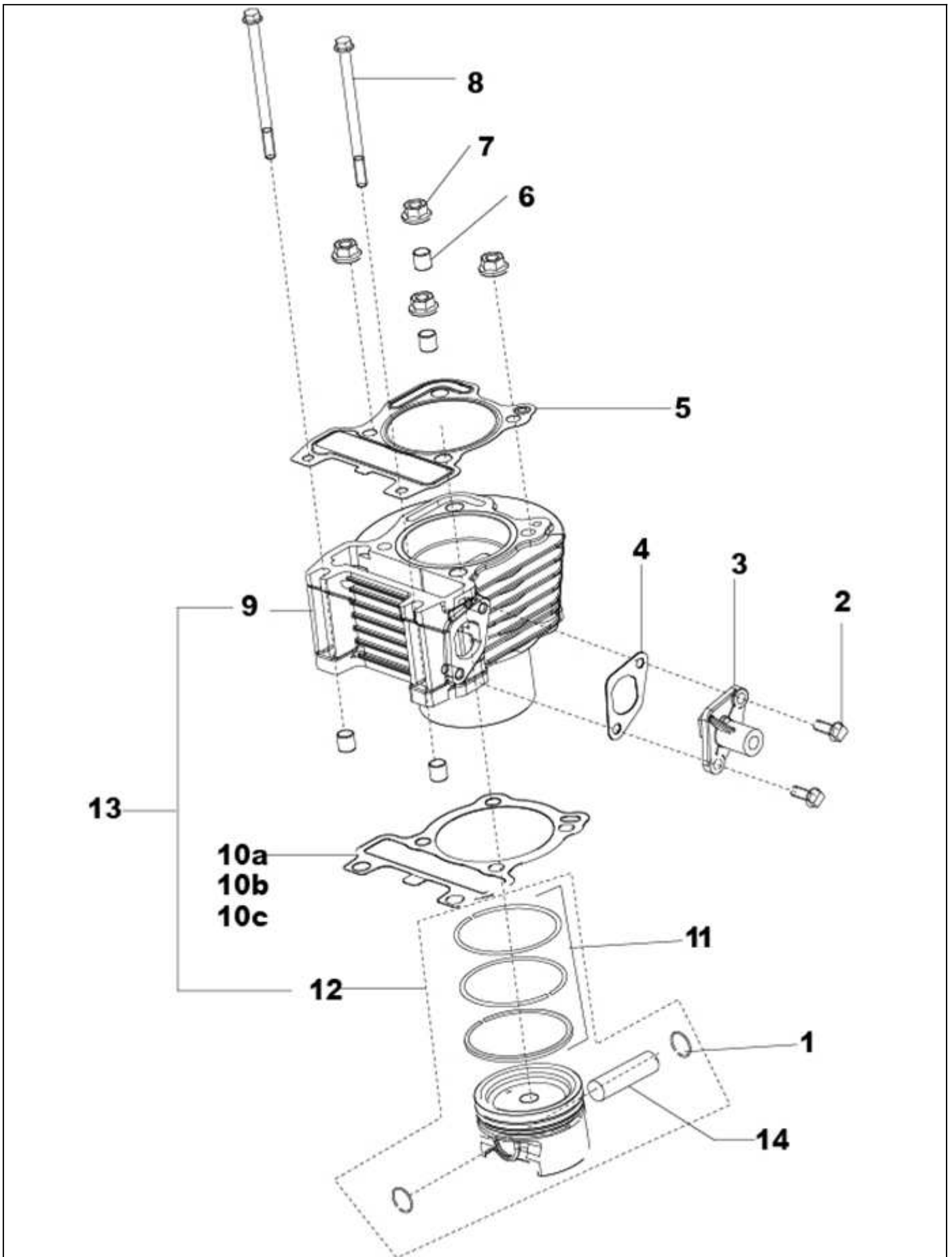


PLATE-14**Cylinder- Piston Group**

Fig. No.	Part No.	Description	Qty	Remarks
1	963486	CIRCLIP FOR PISTON WRIST	2	
2	434541	SCREW	2	
3	B017165	CHAIN TENSIONER DEVICE	1	
4	847928	CHAIN SUPPORT GASKET	1	
5	B014555	HEAD CYLINDER GASKET	1	
6	435571	REFERENCE DOWEL	4	
7	B016939	FLANGED NUT M8X1.25	4	
8	B018854	HEXAGONAL HEAD FLANGED SCREW M6X90	2	
9	B019317	CYLINDER	1	
10a	CM166201	CRANKCASE/ CYLINDER GASKET 0.4 MM	1	
10b	CM166202	CRANKCASE/ CYLINDER GASKET 0.6 MM	1	
10c	CM166203	CRANKCASE/ CYLINDER GASKET 0.8 MM	1	
11	1A009621R	PISTON RING GROUP	1	
12	KIT1U000024	PISTON ASSEMBLY	1	
13	KIT1U000025	BLOCK PISTON KIT	1	
14	482335	PISTON PIN	1	

PLATE-15
Electric Starting Group

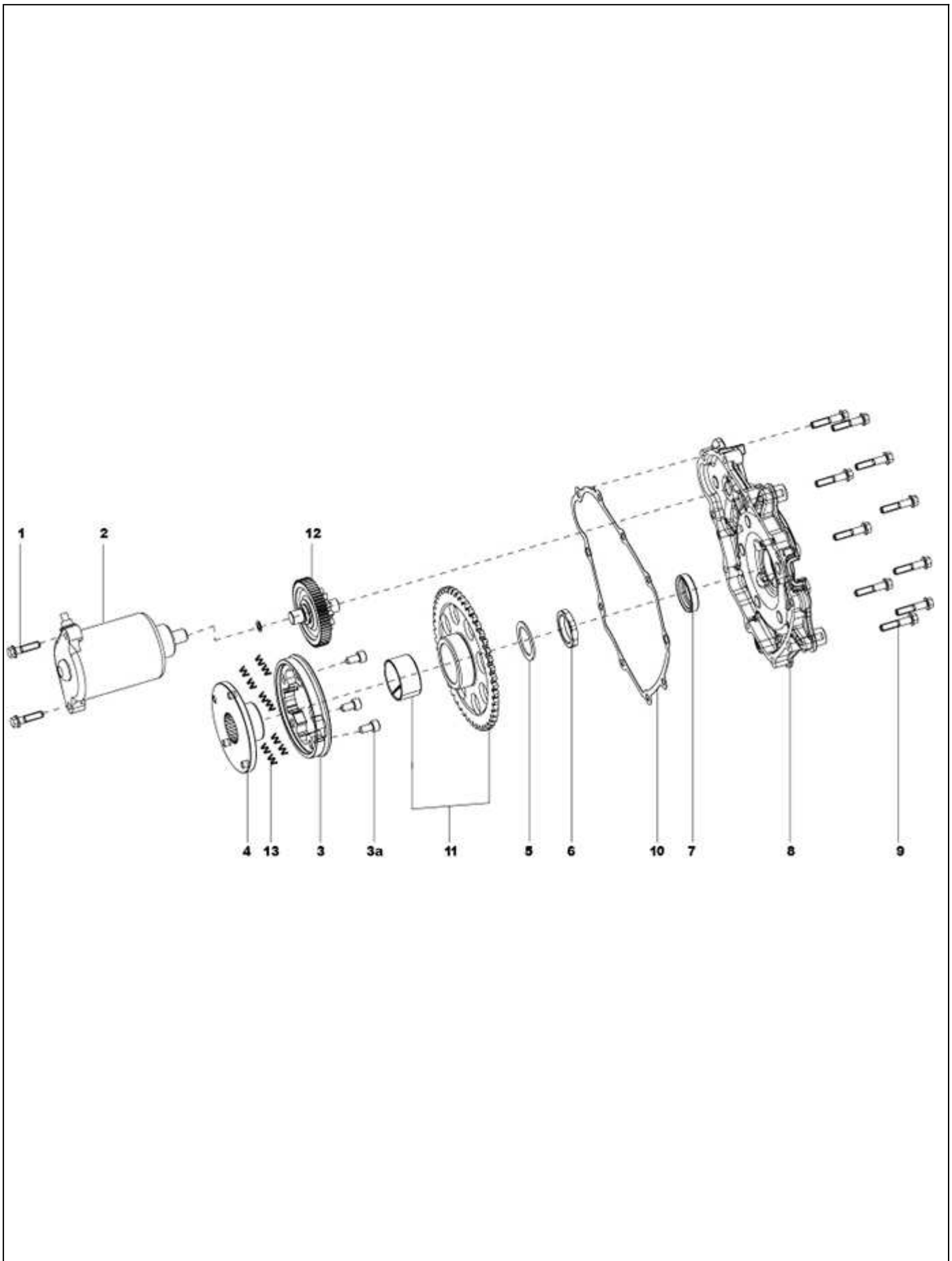


PLATE-15**Electric Starting Group**

Fig. No.	Part No.	Description	Qty	Remarks
1	18639	SCREW M6X20	2	
2	1D000425R	STARTER MOTOR	1	
3	1A010696R	ONE WAY CLUTCH	1	
3A	1A000402	SOCKET HEAD SCREW	3	
4	B019425	CAM CLUTCH HUB	1	
5	B016148	WASHER	1	
6	B016147	RING NUT	1	
7	B016120	SEAL RING 25X35X7	1	
8	B015888	STARTER COVER	1	
9	B018853	FLANGED HEXAGONAL HEAD SCREW M6X30	10	
10	B015942	STARTER COVER GASKET	1	
11	1A001187R	TOOTHED CROWN ELECTRIC STARTER	1	
12	B017189	ELECTRIC STARTER INTERMED GEAR WITH P.I.	1	
13	1A002661	PLANE SPRING - CLUTCH ASSY	5	
15	1A009586	REAR BRACKET ASSY	1	NI
16	1A009587	BRUSH ASSLY KIT (+VE & -VE)	1	NI
17	1A009588	ARMATURE ASSLY	1	NI
18	1A009589	YOKE ASSLY	1	NI
19	1A009590	FRONT BRACKET ASSLY	1	NI
20	1A009591	HEXAG. HEAD SCREW	1	NI
21	1A009592	O-RING KIT	1	NI
22	1A009593	THRUST WASHER KIT	1	NI

PLATE-16
Gear Group

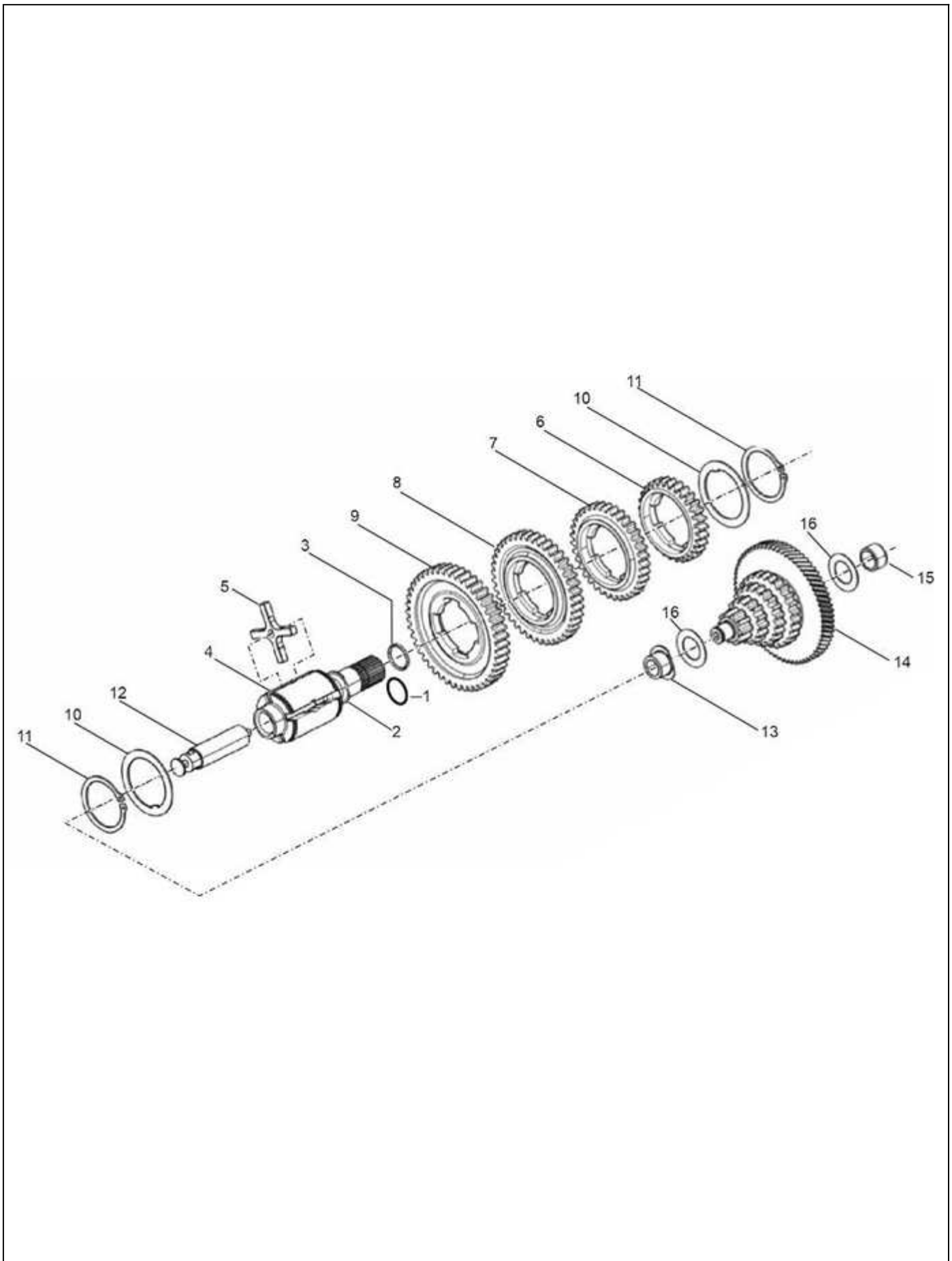


PLATE-16
Gear Group

Fig. No.	Part No.	Description	Qty	Remarks
1	B017177	SEAL RING	1	
2	B018472	SPACER	1	
3	B018473	O-RING	1	
4	B018471	SECONDARY GEAR SHAFT	1	
5	B003924	CROSS	1	
6	1A003606R	SPEED GEAR 4TH (NEW)	1	
7	1A003605R	SPEED GEAR 3RD (NEW)	1	
8	1A003604R	SPEED GEAR 2ND (NEW)	1	
9	1A003603R	SPEED GEAR 1ST (NEW)	1	
10	523012017	SHOULDER RING 1.7 MM THK	2	
11	842004808	CIRCLIP DIA.48 (EXT)	2	
12	1A007850	STEM	1	
13	B016205	INTERNAL RING (FLY WHEEL SIDE)	1	
14	1A003607R	CLUSTER GEAR (NEW)	1	
15	122032014	INNER RING - CLUSTER GEAR	1	
16	B016206	SHOULDER WASHER	2	

PLATE-17
Differential Gear Group

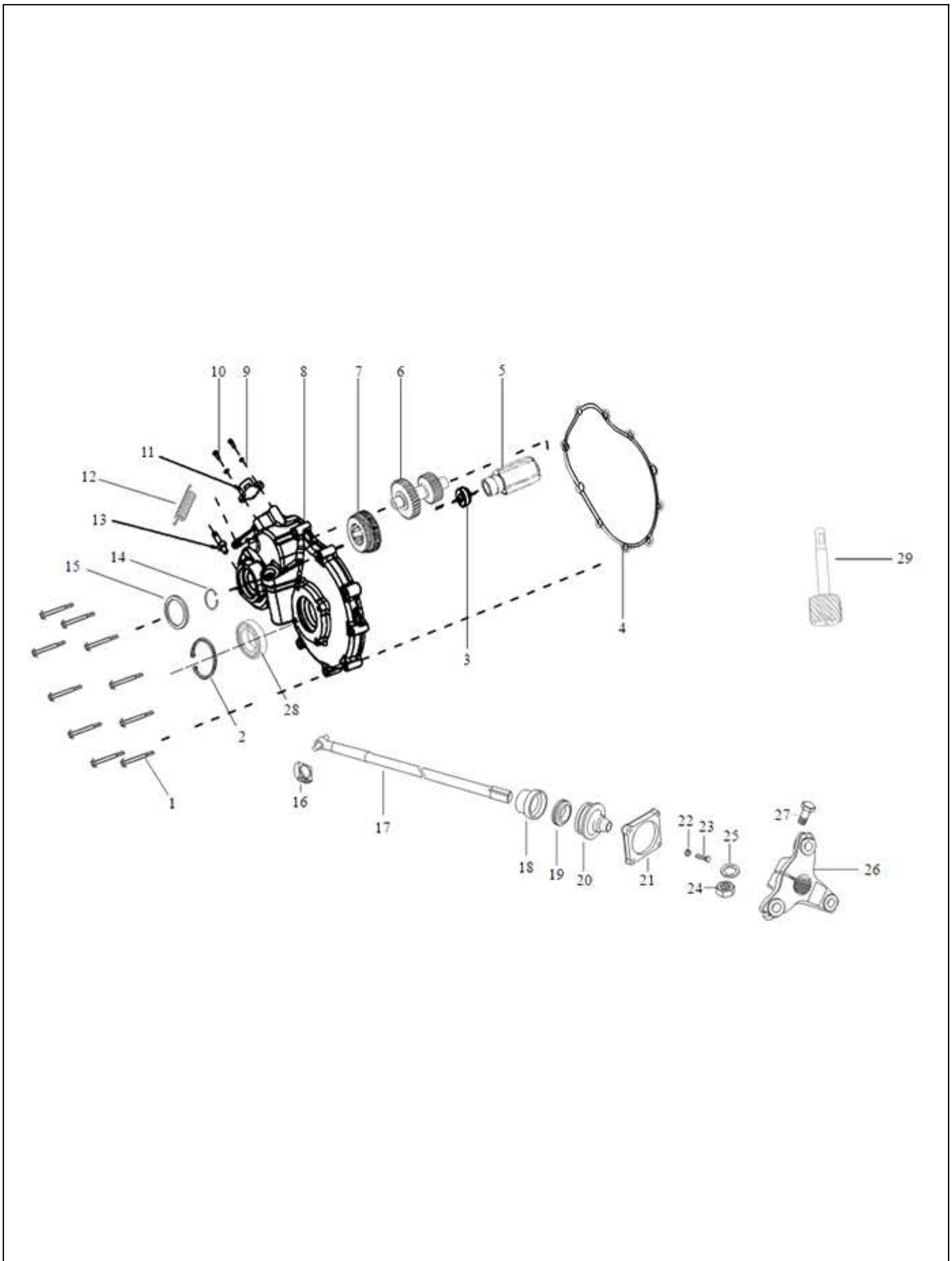


PLATE-17**Differential Gear Group**

Fig. No.	Part No.	Description	Qty	Remarks
1	1A007618	FLANGED HEXAGONAL HEAD SCREW	10	
2	6450	EXT CIRCLIP DIA 48	1	
3	B018991	PLUG FOR FAREMETER	1	
4	-	REAR VEHICLE SIDE HALF-HINGE	1	
5	B018990	REVERSE SHAFT	1	
6	B015817	REVERSE GEAR - CNG	1	
7	B015816	SLIDING GEAR - CNG	1	
8	SPB018674	DIFFERENTIAL GEAR COVER WITH P.I.	1	
9	3054	PLAIN WASHER	2	
10	15996	PHIL RD HD SCREW M4X12	2	
11	567498R	BRAKE/REVERSE LIGHT SW (INTEGRAL CAP)-PAV	1	
12	127111011	REVERSE GEAR SPRING	1	
13	128307019	BOLT R.C. SPRING RETAINING	1	
14	842003000	CIRCLIP DIA. 30 (EXT.)	1	
15	1A000236	OIL SEAL	1	
16	112867R	SLIDER BLOCK PROP. SHAFT	4	
17	B023940	PROP. SHAFT S/A	2	
18	113278	BRACKET RETAINER RING (41736)	2	
19	183511	OIL RING	2	
20	198618	BELLOW	2	
21	111356	COVER	2	
22	16406	SPRING WASHER	8	
23	31092	HEX. HD SCREW M6X25	8	
24	231370	SELF BREAKING NUT M10	2	
25	16410	SPRING WASHER	2	
26	111498	ELASTIC HUB	2	
27	B024614	HEX HEAD BOLT M10X45 CL 10.9	2	
28	880255211	DEEP GROOVE BALL BEARING 25 X 52 X 15	1	
29	117404	SPEEDOMETER GEAR	1	

PLATE-18
FUEL TANK/FILTER/FUEL PIPES-GAS

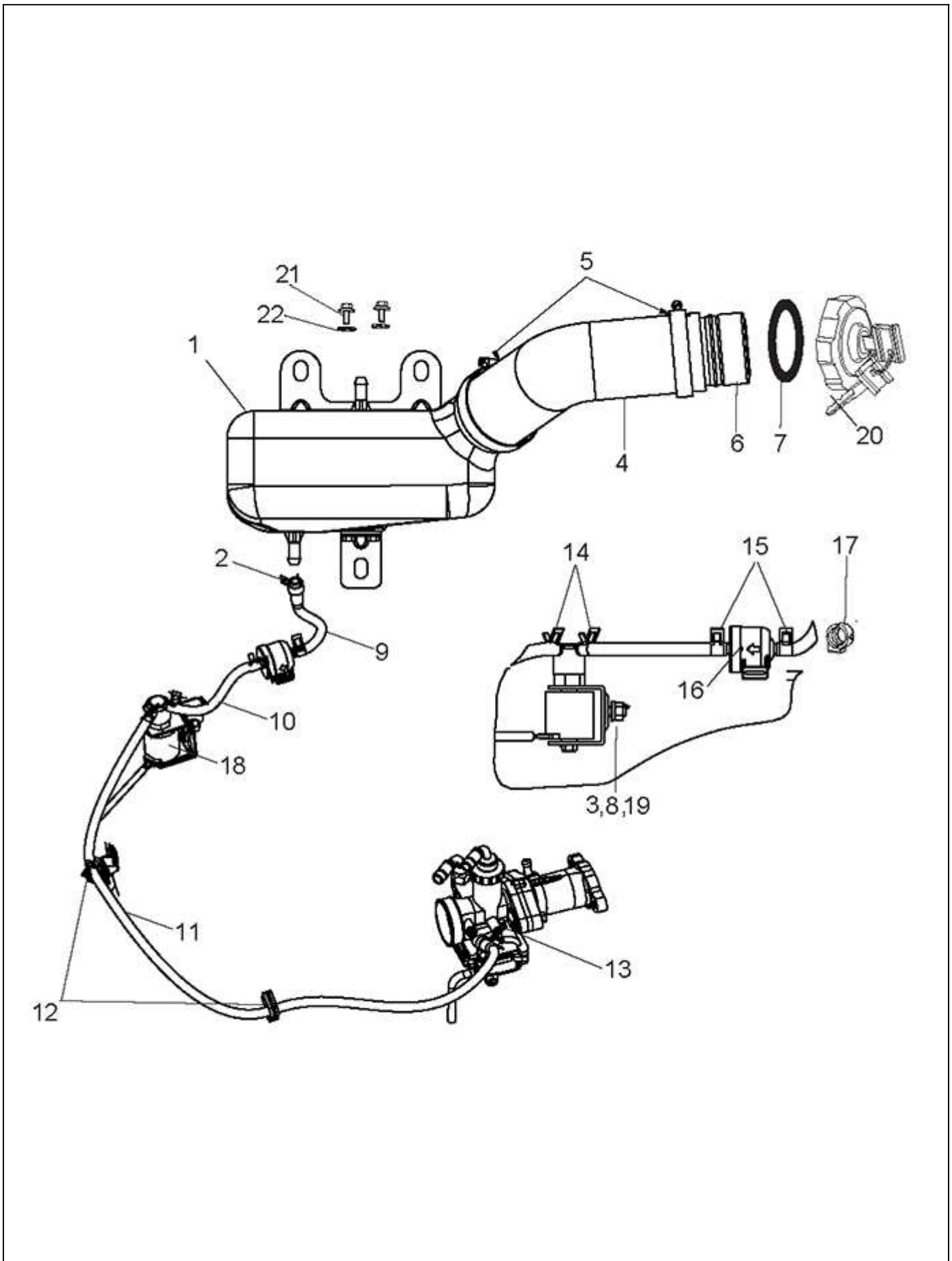


PLATE-18**FUEL TANK/FILTER/FUEL PIPES-GAS**

Fig. No.	Part No.	Description	Qty	Remarks
1	B042391	ASSLY, PLASTIC FUEL TANK (3L)-GAS	1	
2	B075707	SPRING BAND HOSE CLAMP (DIA 10	2	
3	3056	PLAIN WASHER	2	
4	B076492	HOSE PLASTIC FUEL TANK	2	
5	B041853	HOSE CLIP (SIZE : 65A)	2	
6	B003116	TUBE FUEL TANK FILLER-ALL	2	
7	644299	COLLAR	1	
8	16406	SPRING WASHER	2	
9	B075337	FUEL PIPE-TANK TO SMALL FILTER-CITY PTL	1	
10	B074962	FUEL PIPE- SMALL FILTER TO SOLENOID	1	
11	B075796	FUEL PIPE - FUEL FILTER TO CARBURATOR- CNG/LPG	1	
12	216369	CLAMP	1	
13	B041852	SPRING BAND HOSE CLIP (DIA. 9.4)	2	
14	B041798	SPRING BAND HOSE CLAMP DIA 8.6	2	
15	B003282	HOSE CLIP (DIA.7) (PETROL & CNG/LPG)	2	
16	B074593	COMPACT FUEL STRAINER (3 L/H)	1	
17	B075790	FUEL FILTER SUPPORT	1	
18	B076732	PETROL SOLENOID BSIV	1	
19	20106	HEX NUT M6	2	
20	B024168	P.T.CAP ASSLY WITH KEY	1	
21	661925	PHILIP PAN HEAD SCREW (M5 X 0.8 X 1.6)	4	
22	3054	PLAIN WASHER	4	

PLATE-19
Engine Support

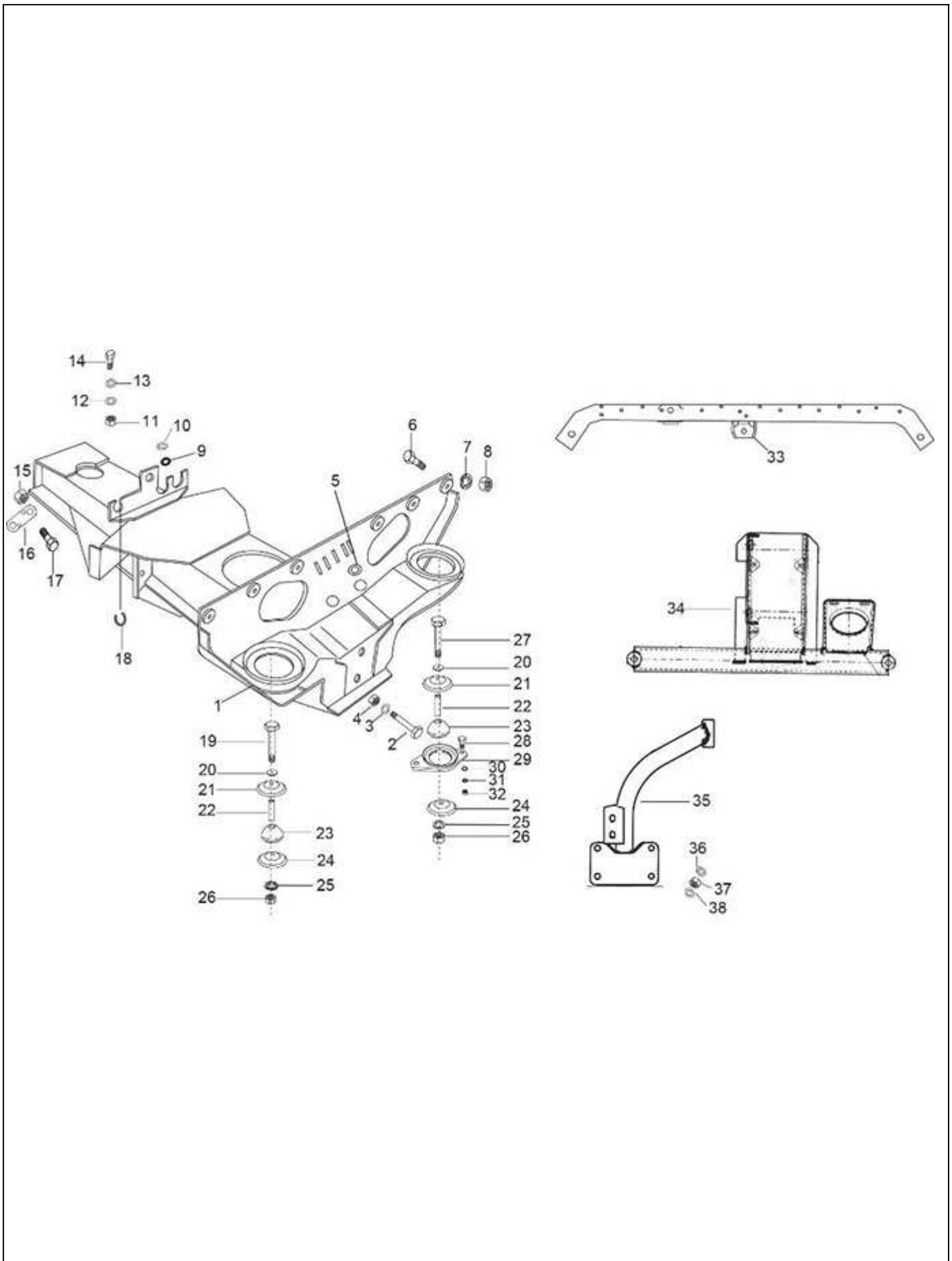


PLATE-19**Engine Support**

Fig. No.	Part No.	Description	Qty	Remarks
1	B075798	FRAME ASSY. SUSPENSION & ENGINE SUPPORT	1	
2	267068	HEX HEAD BOLT M10 X 60 CC 10.9	2	
3	286328	PLAIN WASHER 20X10.2X2	2	
4	231370	SELF BREAKING NUT M10	2	
5	15478	GROMMET4	2	
6	31119	HEX HD SCREW M8 X 25	6	
7	16408	SPRING WASHER M8	6	
8	20108	HEX NUT M8	6	
9	178610	GROMMET	1	
10	16406	SPRING WASHER	2	
11	20108	HEX NUT M8	2	
12	16408	SPRING WASHER M8	2	
13	2383	PLAIN WASHER M20X8.5X2	2	
14	B003855	SOCKET HEAD CAP SCREW M8	2	
15	231370	SELF BREAKING NUT M10	2	
16	108834	PLATE	2	
16	632299	PLATE	1	
17	632247	HEX HDD SCREW M10X30 CC8.8	2	
18	568140	GROMMET	1	
19	604948	HEX.HDD BOLT M8 X 110 WITH POINTING	2	
20	2383	PLAIN WASHER M20X8.5X2	3	
21	569375	PLATE	3	
22	267065	SPACER FRONT	2	
23	265091	DUMPER ENGINE MTG.	2	
24	569244	PLATE	3	
25	16408	SPRING WASHER M8	3	
26	15335	HEX HD NUT M8	2	
27	272178	HEX. HDD BOLT M8 X 122 CL 10.9	1	
28	31154	HEX HDD SCREW M10X22 CL 8.8	2	
29	B003286	REAR AVM SUPPORT BKT. ASSY.	1	
30	286328	PLAIN WASHER 20X10.2X2	2	
31	16410	SPRING WASHER	2	
32	20108	HEX NUT M8	4	
33	B008893	CROSS MEMBER ENGINE SUPPORT REAR	1	
34	B008921	FRT CROSS MEMBER ASSY. ENG. MTG.	1	

PLATE-19
Engine Support

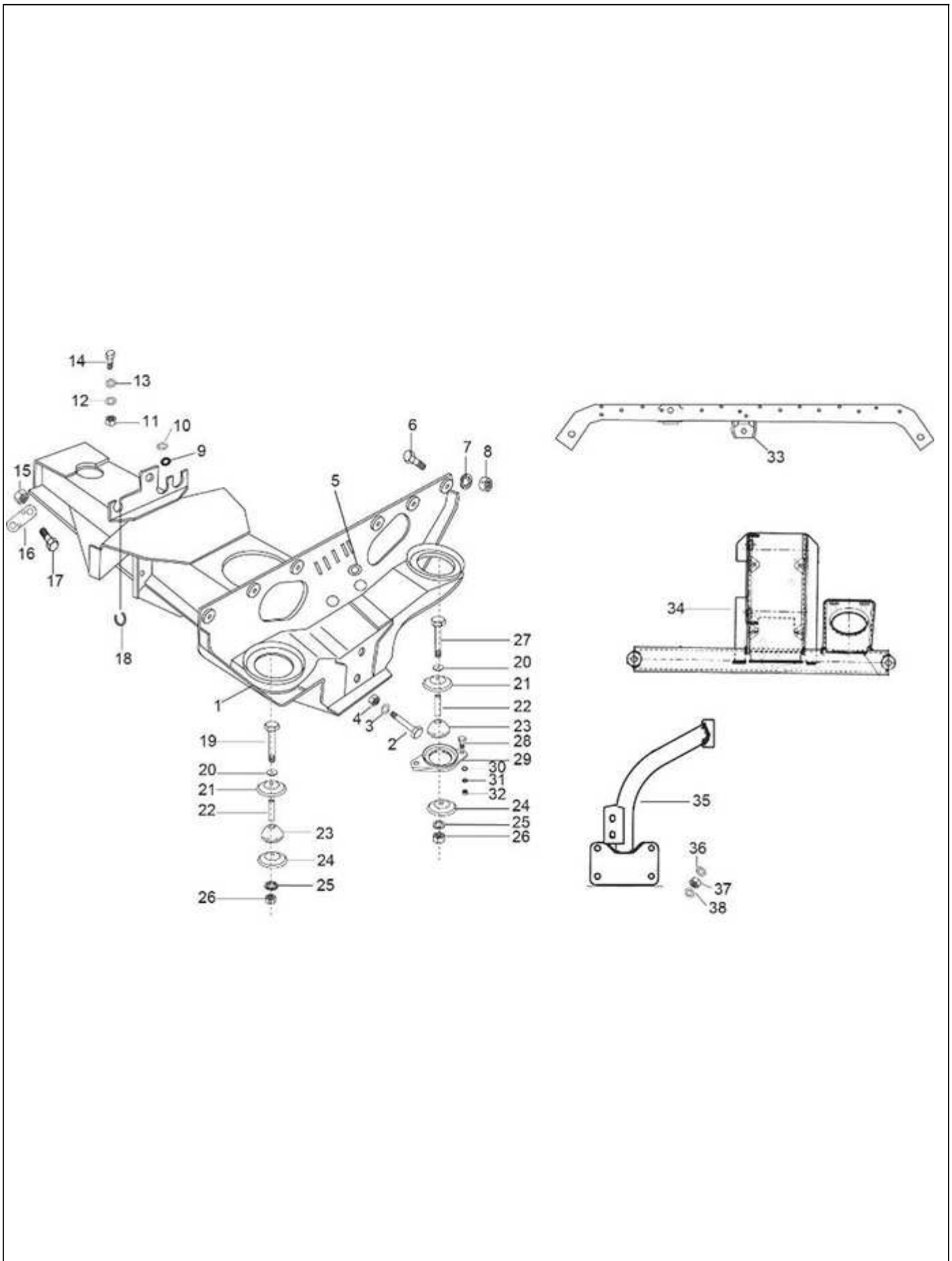


PLATE-19**Engine Support**

Fig. No.	Part No.	Description	Qty	Remarks
35	B008898	SUPPORT ARM ENGINE REAR SUB ASSY WITH IP	1	
36	286328	PLAIN WASHER 20X10.2X2	2	
37	20110	HEX NUT M10	4	
38	16410	SPRING WASHER	2	
39	B003371	SUPPORT ARM ENGINE REAR ASSY	1	(N.I)

PLATE-21
Wind Shield/Glass/Beading

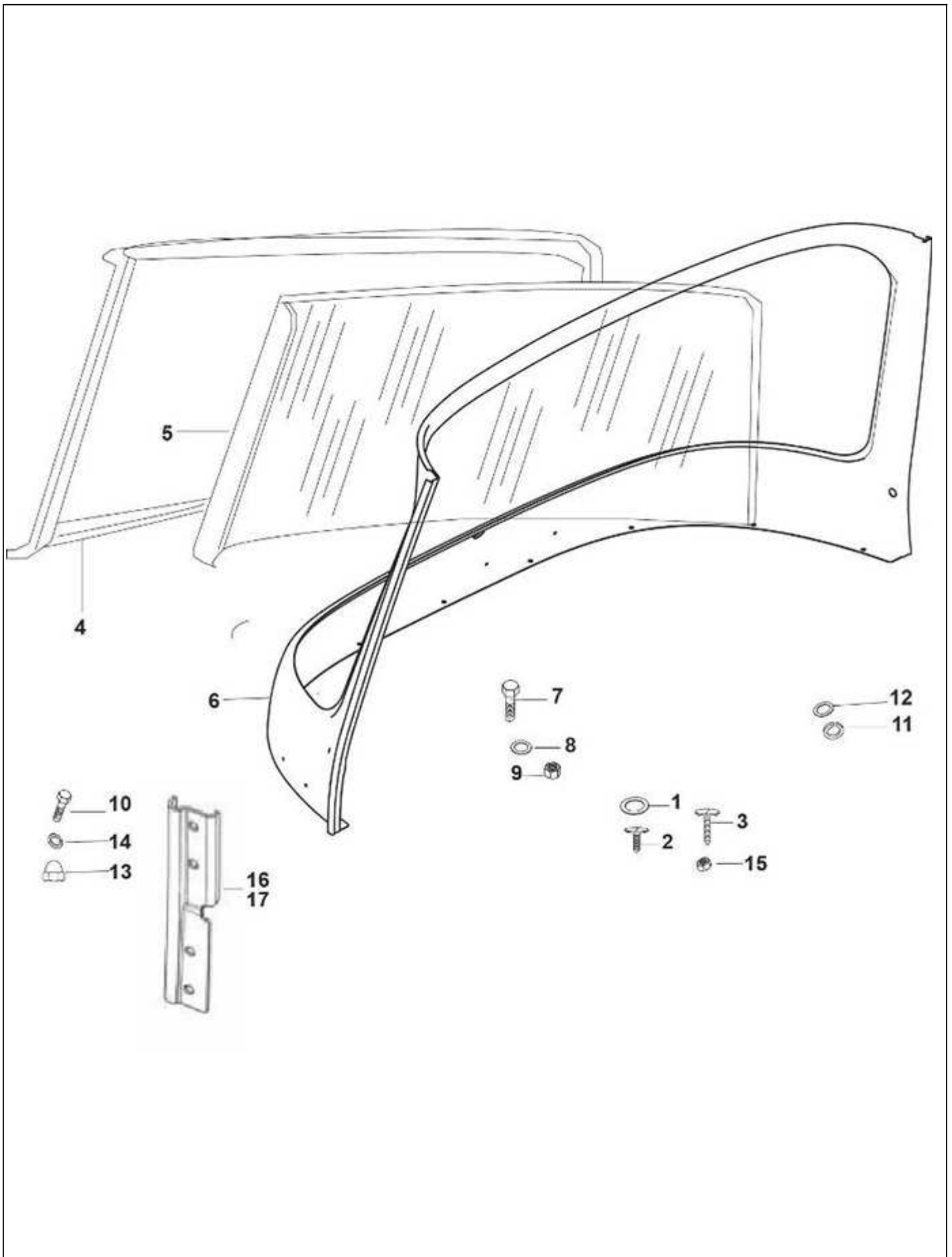


PLATE-21**Wind Shield/Glass/Beading**

Fig. No.	Part No.	Description	Qty	Remarks
1	16670	PLAIN WASHER 12X4.5X1	2	
2	568692	PAN SELF TAP SCREW 6SG X 16AB	2	
3	18630	PAN SELF TAP SCREW 6SG X 25AB	2	
4	B073626	WINDSHIELD PACKING	1	
5	B073601	LAMINATED WINDSHIELD GLASS	1	
6	B073602ED	WINDSCREEN FRAME (COMPLETE)	1	
7	B001386	HEX HEAD SCREW M5X20	9	
8	16405	SPRING WASHER M5	16	
9	20105	HEX NUT M5	20	
10	30242	SLOT CH. HD. SCREW	8	
11	808000826	PLAIN WASHER M8	2	
12	16408	SPRING WASHER M8	2	
13	568713	DOME NUT	8	
14	3055	RAW WASHER(808000527)	8	
15	20104	HEX NUT M4	8	

PLATE-22
MAIN FRAME/BATTERY BKT/ JACK BKT

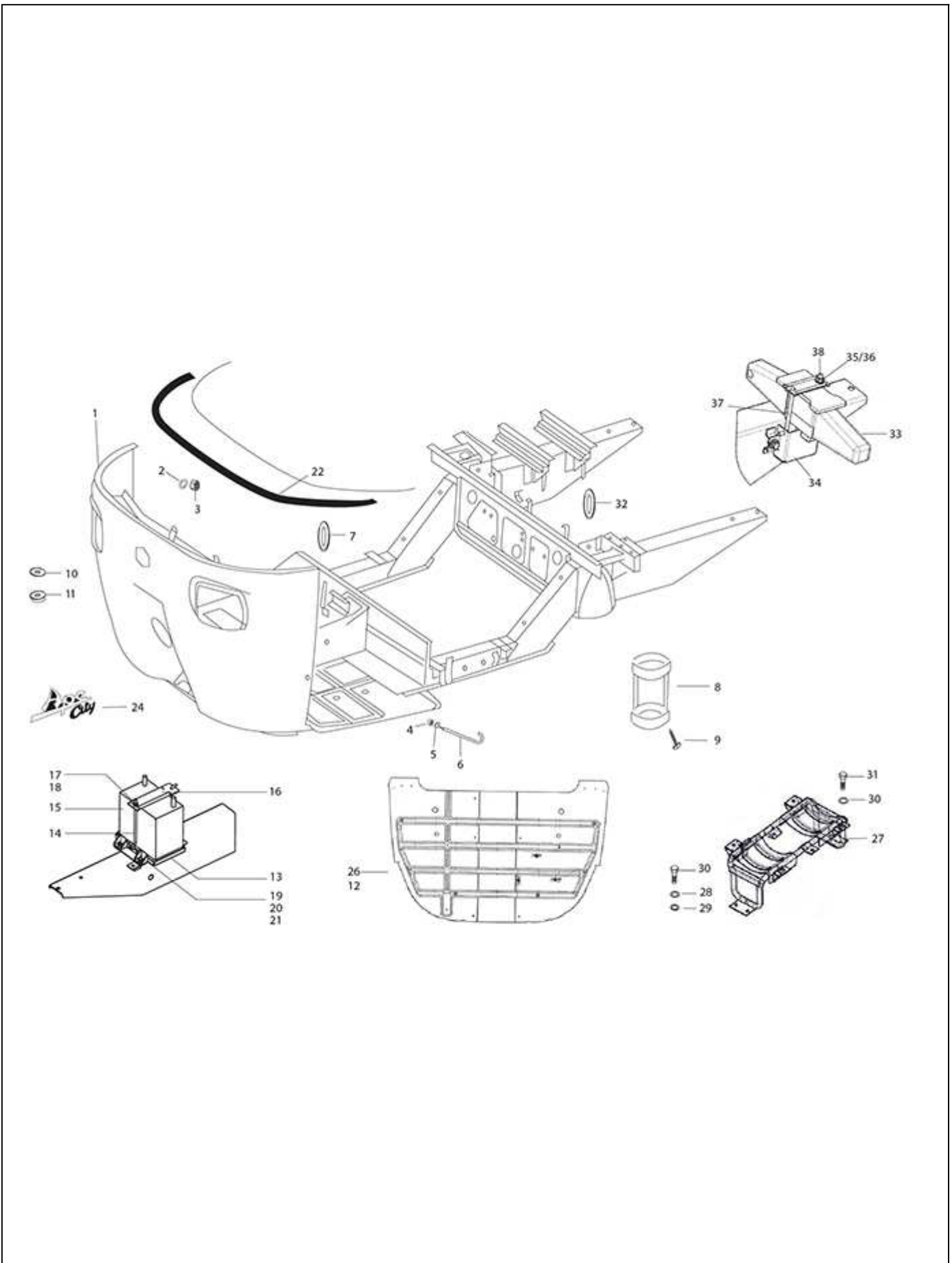


PLATE-22**MAIN FRAME/BATTERY BKT/ JACK BKT**

Fig. No.	Part No.	Description	Qty	Remarks
1	B076254GY	MAIN FRAME ASSLY - BSIV LPG-GY	1	
1	B076254BY	MAIN FRAME ASSLY - BSIV LPG-BY	1	
1	B076254BW	MAIN FRAME ASSLY - BSIV LPG-BW	1	
1	B076254NB	MAIN FRAME ASSLY - BSIV LPG-NB	1	
1	B076254WR	MAIN FRAME ASSLY - BSIV LPG-WR	1	
1	B076254EG	MAIN FRAME ASSLY - BSIV LPG-EG	1	
1	B076253NB	MAIN FRAME ASSLY WITH IP - BSIV PTL-NB	1	LAM -PTL HS
1	B076253GY	MAIN FRAME ASSLY WITH IP - BSIV PTL-GY	1	LAM -PTL HS
1	B076253BW	MAIN FRAME ASSLY WITH IP - BSIV PTL-BW	1	LAM -PTL HS
1	B076253BY	MAIN FRAME ASSLY WITH IP - BSIV PTL-BY	1	LAM -PTL HS
1	B076253CB	MAIN FRAME ASSLY WITH IP - BSIV PTL-CB	1	LAM -PTL HS
1	B076253WR	MAIN FRAME ASSLY WITH IP - BSIV PTL-WR	1	LAM -PTL HS
1	B076253EG	MAIN FRAME ASSLY WITH IP - BSIV PTL-EG	1	LAM -PTL HS
2	3054	PLAIN WASHER	5	
3	20104	HEX NUT M4	5	
4	20108	HEX NUT M8	1	
5	3058	PLAIN WASHER 15X8.4X1.5	1	
6	604954	TENSION ROD	1	
7	B075981	GROMMET WIRING HAND BRAKE	1	
8	B041392	BOTTLE CARRIER STAND	1	
9	660168	PAN SELF TP. SCREW 10 SGX13AB	2	
10	B075979	GROMMET	2	
11	604756	HOSE CLIP	2	
12	B074435	CABIN FLOOR SUB-ASSY. (LPG / CNG)	1	
13	616649	BATTERY TRAY	1	
14	632508	TENSION ROD ASSY. (BATTERY MOUNTING.)	1	
15	B006544	BATTERY 12V-35AH	1	
16	B003978	BATTERY HOLDING PLATE	1	
17	20108	HEX NUT M8	1	
18	3058	PLAIN WASHER 15X8.4X1.5	1	
19	16408	SPRING WASHER M8	1	
20	13861	PLAIN WASHER 20X8.2X2.5	4	
21	31118	SCREW M8X20	4	
22	B024474	RIM COVERAGE JOINT	1	
23	604972	PIVOT GASKET-APE LOGO PLATE	1	

PLATE-22
MAIN FRAME/BATTERY BKT/ JACK BKT

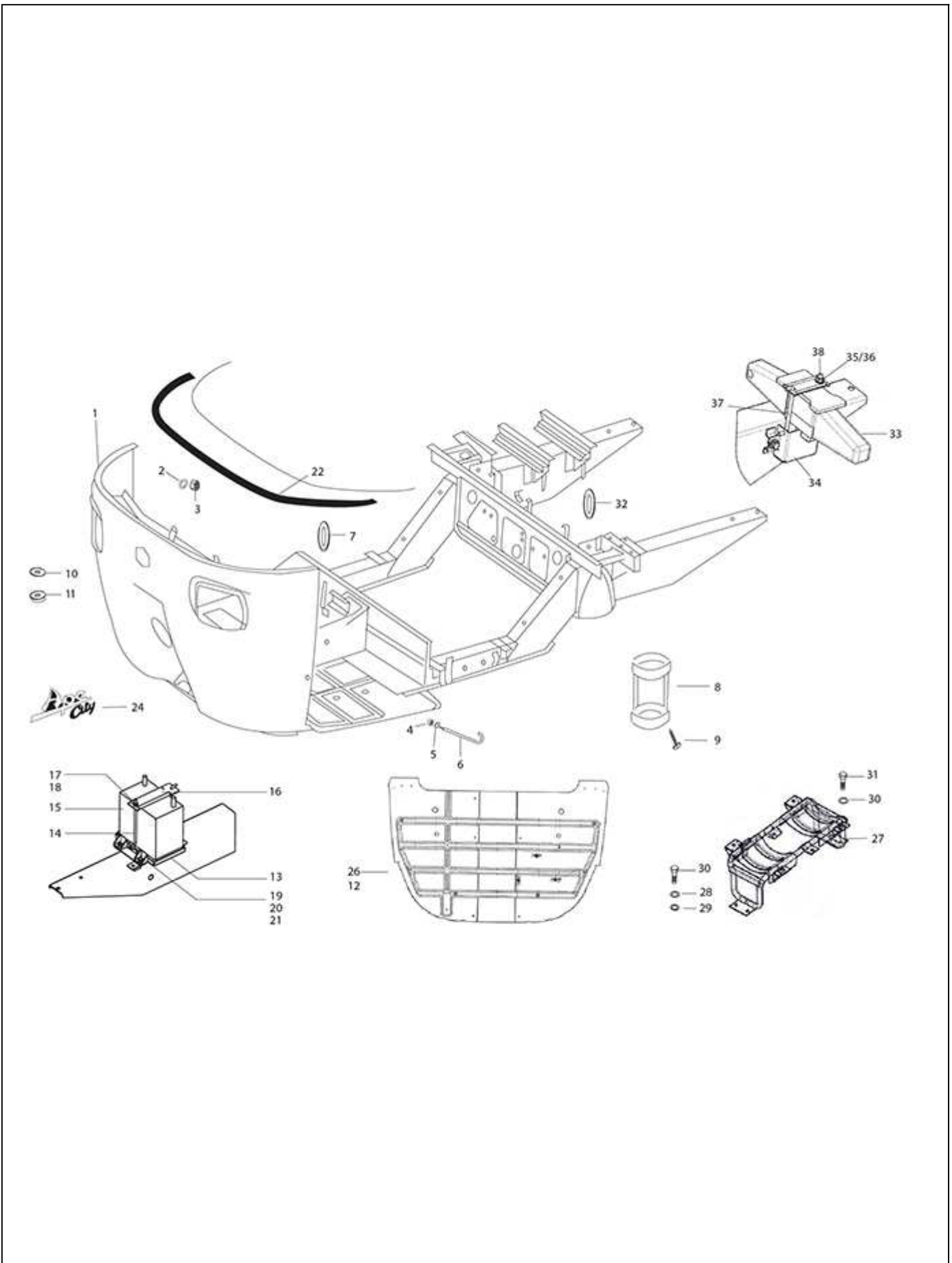


PLATE-22**MAIN FRAME/BATTERY BKT/ JACK BKT**

Fig. No.	Part No.	Description	Qty	Remarks
24	B078919	APE CITY STICKER (FRONT PANEL)	1	
25	B074657	BEEDING DOME SIDE PILLAR (LPG/CNG)	1	
26	B076334	CABIN FLOOR SUB-ASSY. (LPG / CNG)	1	
27	B075616	PIPE STRUCTURED CYLINDER MTG ASSLY-LPG	1	
28	2383	PLAIN WASHER M20X8.5X2	4	
29	16408	SPRING WASHER M8	6	
30	31118	SCREW M8X20	4	
31	3058	PLAIN WASHER 15X8.4X1.5	3	
32	31116	HEX HD. SCREW M8X16	2	
33	B075989	GROMMET FRT PART OF CENTRAL BEAM	1	
34	B076650	JACK ASSLY	1	
35	B076012	JACK BOX	1	
36	13861	PLAIN WASHER 20X8.2X2.5	1	
37	20108	HEX NUT M8	1	
38	B075966	RR TENSION ROD	1	
39	B075967	FR TENSION ROD	1	
45	B076253NB	MAIN FRAME ASSLY WITH IP - BSIV PTL-NB	1	

PLATE-23
INNER PARTS OF CABIN

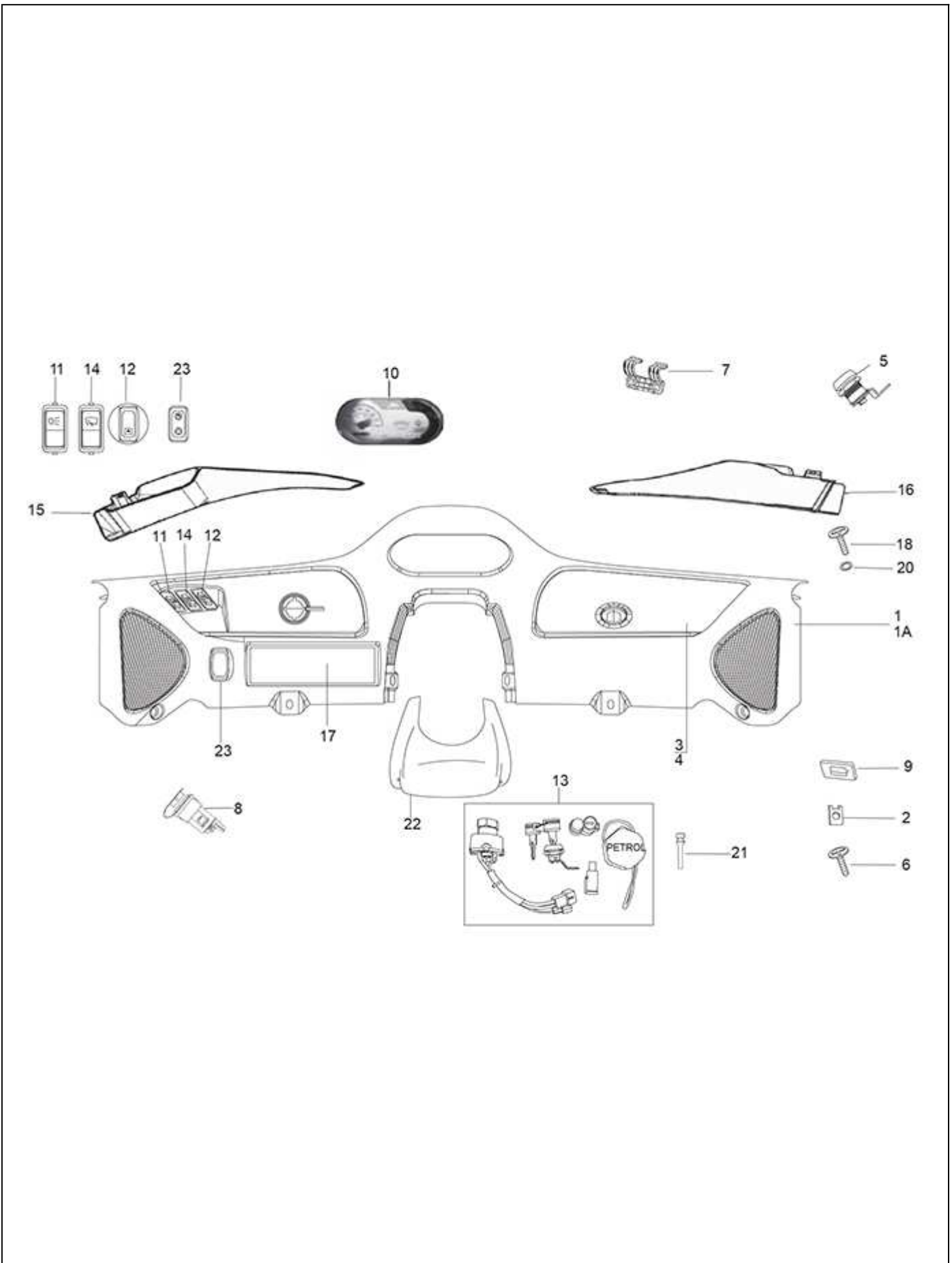


PLATE-23**INNER PARTS OF CABIN**

Fig. No.	Part No.	Description	Qty	Remarks
1	B076119	DASH BOARD ASSY. (LPG / CNG)	1	
1	B074037	DASHBOARD ASSLY COMPLETE(PET)	1	LAM -PTL HS
1A	B073809	DASH BOARD ASSY.	1	
2	8080	SPRING PLATE	4	
3	B073810	GLOVE BOX COVER	1	
4	568671	GASKET - GLOW BOX COVER (N.I.)	4	
5	B024169	GLOVE BOX LOCK WITH KEY	1	
6	660168	PAN SELF TP. SCREW 10 SGX13AB	4	
7	B073814	HINGE	1	
8	B074905	MOBILE CHARGER	1	
9	643691	BOLT LOCK PLATE	1	
10	B075703	INSTR. CLUSTER (CNG/LPG)	1	
10	B074216	INSTR. CLUSTER (PETROL)	1	LAM -PTL HS
11	B073478	SWITCH 3 POSITION	1	
12	B073481	HAZARD WARNING SWITCH WITH CROWN CAP (12V)(VE)	1	
13	B024683	LOCK SET	1	
14	B073479	WIPER MOTOR SWITCH/ SWITCH WIPER MOTOR	1	
15	B073815	UPPER COVER DASH BOARD - LH	1	
16	B073816	UPPER COVER DASH BOARD - RH	1	
17	B073812	UTILITY BOX	1	
18	B023976	CSK PHILIPS HEAD SCREW M5X15	8	
19	B074262	PIN	2	
20	6078	PLAIN WASHER 12 X 5.2 X 1	8	
21	B074275	RUBBER DAMPER	2	
22	B073811	STEERING COLUMN COVER	1	
23	B075732	FUEL CHANGE OVER SWITCH	1	

PLATE-24
REAR SUSPENSION

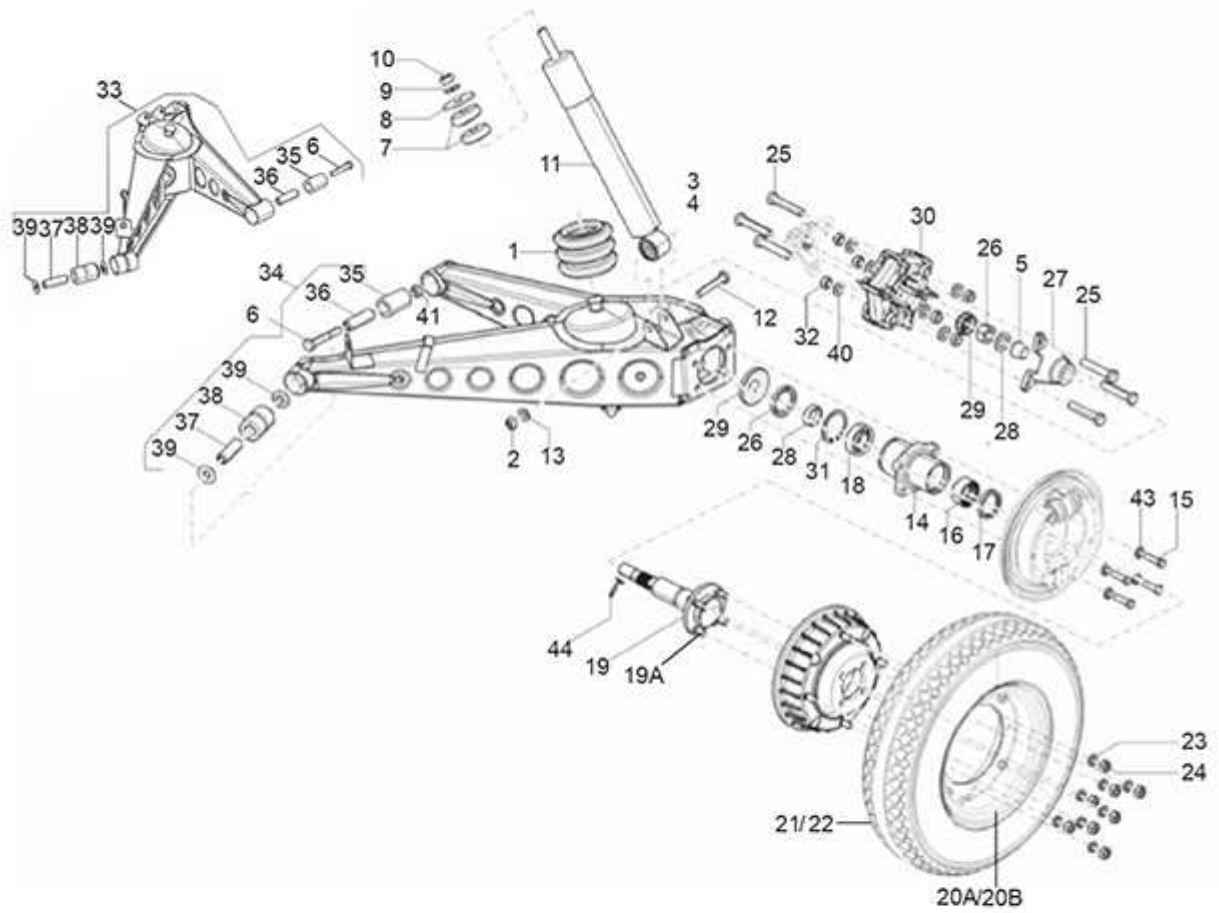


PLATE-24**REAR SUSPENSION**

Fig. No.	Part No.	Description	Qty	Remarks
1	B076290	RUBBER BUMPER	2	
2	231370	SELF BREAKING NUT M10	2	
3	157103	BUSH - SHOCK ABSORBER	2	
4	107827	SPACER	1	
5	128633	CONE	1	
6	643741	HEX HDD BOLT M10 X 80 CL 12.9	4	
7	157103	BUSH - SHOCK ABSORBER	4	
8	6066	PL WASHER 10.5X38X9	2	
9	16410	SPRING WASHER	2	
10	20110	HEX NUT M10	2	
11	B076292	SHOCK ABSORBER REAR - BSIV	2	
12	267068	HEX HEAD BOLT M10 X 60 CC 10.9	2	
13	286328	PLAIN WASHER 20X10.2X2	2	
14	B002344	REAR WHEEL HUB	2	
15	B002486	BOLT M8 X 35 6G CL 12.9	8	
16	661282	NEEDLE ROLLER BEARING	2	
17	20359	SEAL RING	2	
18	243303R	DEEP GROVE BALL BRG-RR WH AXLE	2	
19	B024374	REAR AXLE COMPLETE (APE CITY)	2	
19A	B001319	BOLT FOR AXLE	4	
20A	B074588R	WHEEL RIM ASSLY INNER - PAINTED	1	
20A	B074590R	WHEEL RIM OUTER - PAINTED	1	
21	B001317	TYRE & TUBE ASSEMBLY	4	
22	B001316	INNER TUBE FOR TYRE 4.0 X 8 INCH	4	
23	16410	SPRING WASHER	12	
24	20110	HEX NUT M10	12	
25	15594	HEX HDD BOLT M10 X 35	12	
26	021118	HEX NUT M18X1.5P	2	
27	587617	ELASTIC JOINT CONNECTION HUB (WHL - SIDE)	2	
28	661267	RING	2	
29	109892	PROTECTION CUP RR HUB	2	
30	604535	FLEXIBLE COUPLING	2	
31	6650	CIRCLIP DIA 50 (INT)	2	
32	231370	SELF BREAKING NUT M10	12	
33	B075807	ARM SUB ASSY. LH - REAR SUSPENSION	1	

PLATE-24
REAR SUSPENSION

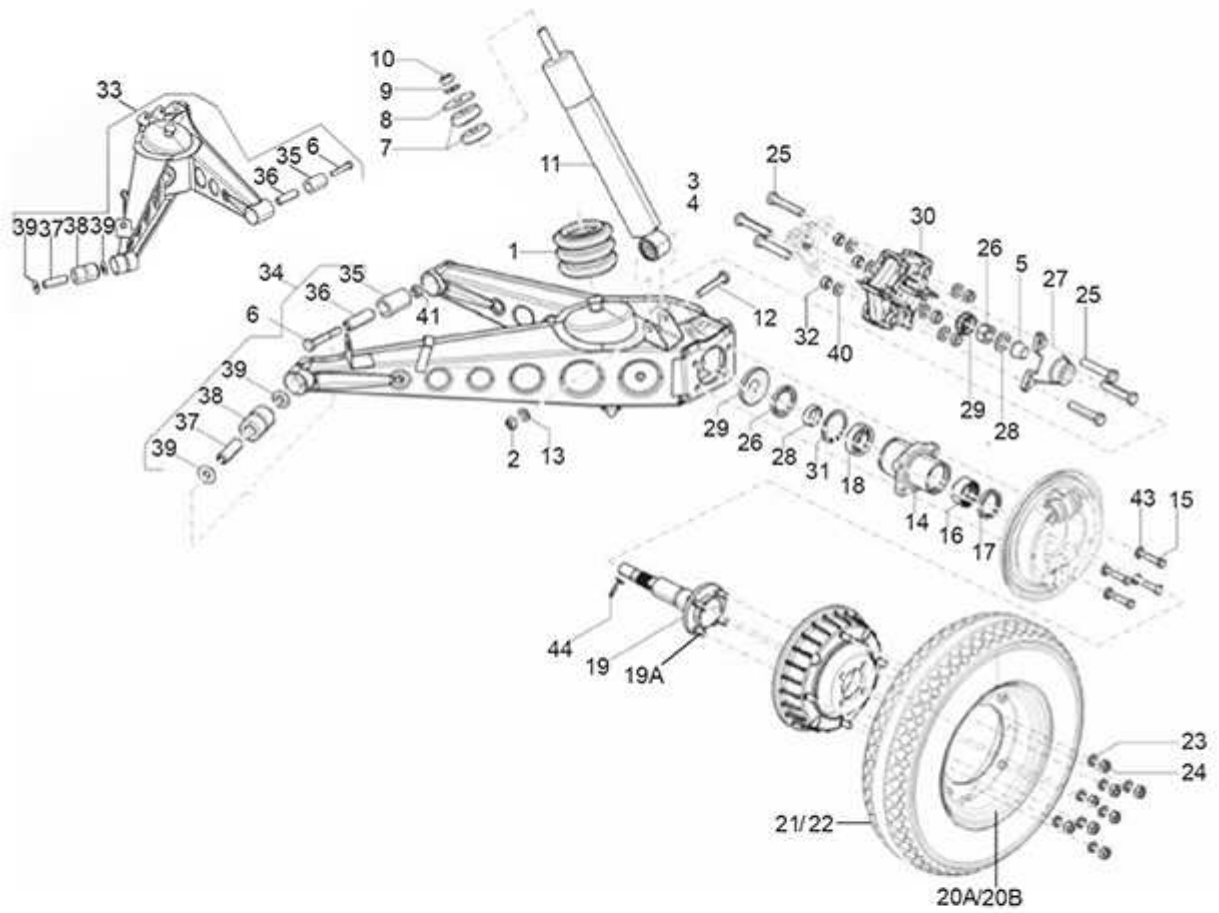


PLATE-24**REAR SUSPENSION**

Fig. No.	Part No.	Description	Qty	Remarks
34	B075808	ARM SUB ASSY. RH - REAR SUSPENSION	1	
35	226662	RING FOR ELASTIC SUPPORT	2	
36	226661	INTERNAL BUSH	2	
37	267065	SPACER FRONT	2	
38	226596	BUSH FRONT RING FOR ELASTIC SUPPORT	2	
39	661266	SHOULDER WASHER	4	
40	237246	SHIM WASHER 20X10.2X1	12	
41	231370	SELF BREAKING NUT M10	4	
42	3068	PLAIN WASHER	1	
43	16408	SPRING WASHER M8	8	
44	12790	SPLIT PIN	2	

PLATE-25

Steering Column And Front Suspension

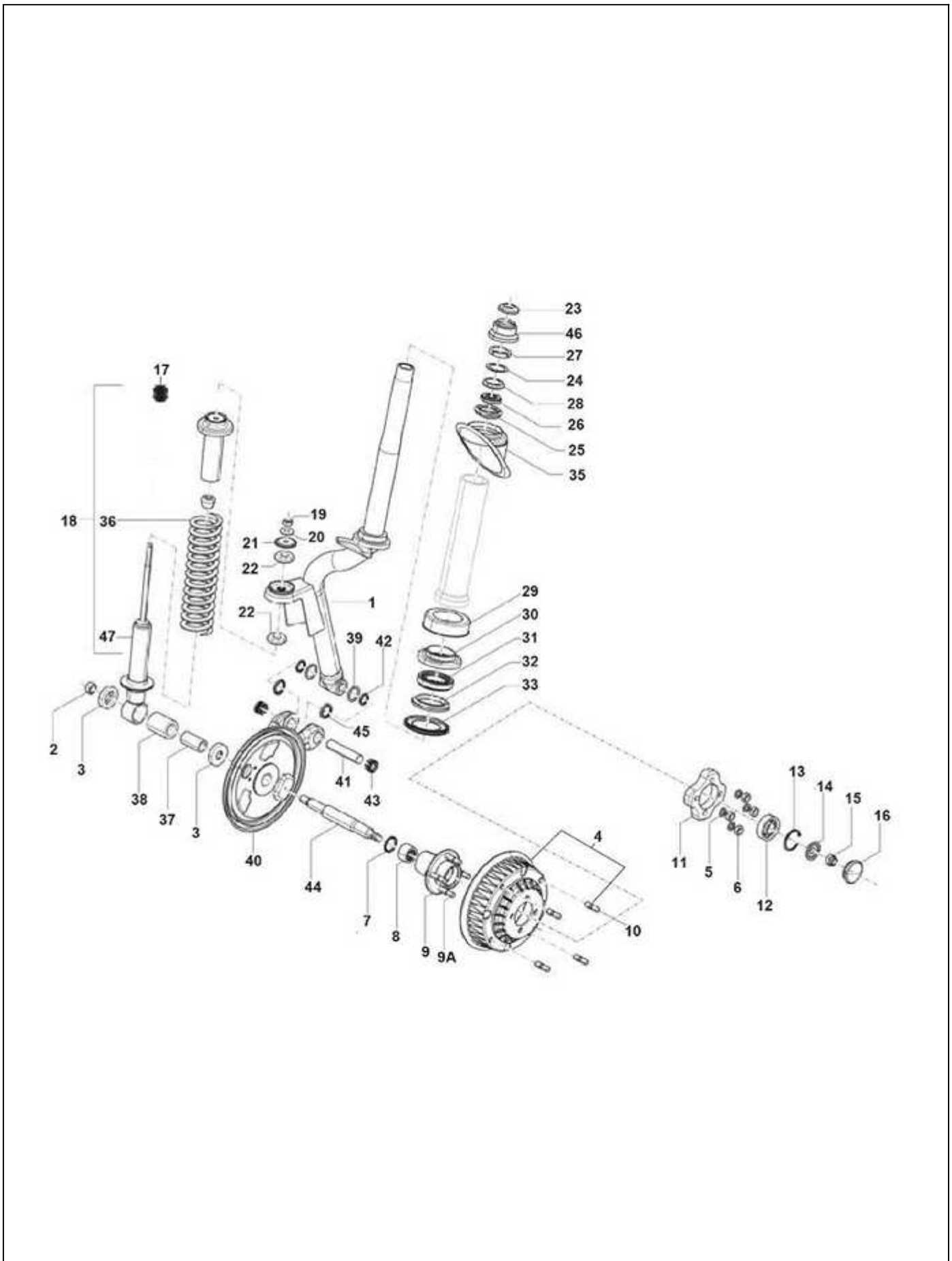


PLATE-25**Steering Column And Front Suspension**

Fig. No.	Part No.	Description	Qty	Remarks
1	B073667SP	STEERING COLUMN ASSLY (NRB)-PAX UPGR SPD	1	
1	B075694	STEERING COLUMN WITH IP	1	
2	568095	NYLOCK NUT	1	
3	87067	PLAIN WASHER 30.5X14.3X2	1	
4	B042438	BRAKE DRUM ASSY. COMPLETE	1	
5	16410	SPRING WASHER	4	
6	20110	HEX NUT M10	4	
7	136434	OIL SEAL	1	
8	125289	NEEDLE BEARING, CRANKASE, FRONT WHEEL	1	
9	B001302	FRONT HUB ASSLY.	1	
9A	B001301	BOLT FRONT HUB.	4	
10	B001323	STUD M10 - BRAKE DRUM	4	
11	B041181	SPACER DISC FRONT WHEEL MTG (ALUMIN)	1	
12	30209R	BALL BEARING FRONT WHEEL HUB	1	
13	567473	CIRCLIP DIA. 42 INT. (841004203)	1	
14	180431	COIN WASHER	1	
15	74521	NUT M14 X 1.5	1	
16	107871	CAP	1	
17	75708	SILENT BLOCK	1	
18	B073690	FRONT SHOCK ABSORBER	1	
19	21110	HEX UT M10 X 1.25 P ASSY.	1	
20	16410	SPRING WASHER	10	
21	6066	PL WASHER 10.5X38X9	1	
22	74414	RUBBER BUSH/BUFFER FOR COUPLING SHOCK ABSORBE	2	
23	604758	PROTECTION	1	
24	108873	STOP WASHER FOR HOLDING	1	
25	567990	BEARING RACE UPPER BOTTOM	1	
26	567991	BEARING RACE UPPER TOP	1	
27	108874	SECURING RING NUT	1	
28	662423	SOLID OIL BALL CAGE (UPPER) 7105	1	
29	109064	DUST COVER	1	
30	567992	BEARING RACE LOWER TOP	1	
31	662422	SOLID OIL BALL CAGE (LOWER) 7104	1	
32	567993	BEARING RACE LOWER BOTTOM	1	
33	109066	WASHER WITH PROTECTION FOR BEARING	1	

PLATE-25

Steering Column And Front Suspension

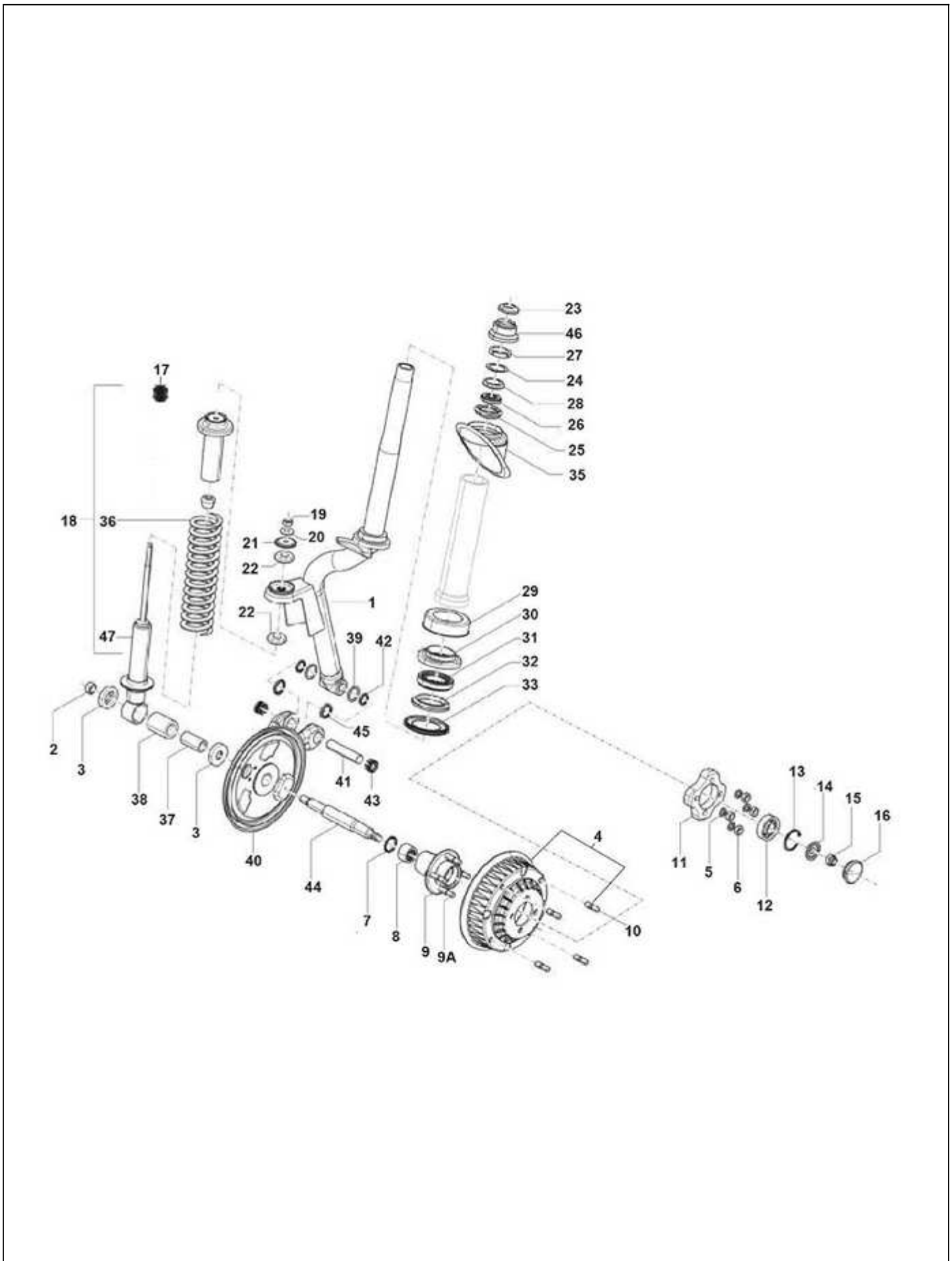


PLATE-25**Steering Column And Front Suspension**

Fig. No.	Part No.	Description	Qty	Remarks
34	604759	RUBBER CAP STEERING COLUMN (N.I.)	4	
35	109265	SPLASH GUARD DUST COVER	1	
36	940066	SPRING SHOCK ABSORBER-UG / RING	1	
37	109117	RUBBER BUSH (FRT SHOCK ABSORBER) / RING	1	
38	566545	RUBBER BUSH (FRT SHOCK ABSORBER) - MODIFIED	1	
39	6733	O RING	2	
40	B024113	FRONT BRAKE ASSY.	1	
41	137235	STEERING PIN	1	
42	8771	OIL SEAL (18-24-4)	2	
43	107718	ROLLER BUSH	2	
44	643772R	FRONT WHEEL AXLE	1	
45	150579	RING FOR HOLDING TYPE J F101 17A	2	
46	604758	PROTECTION	1	
47	940065	SHOCK ABSORBER W/O SPRING	1	

PLATE-26
Handlebar And Control

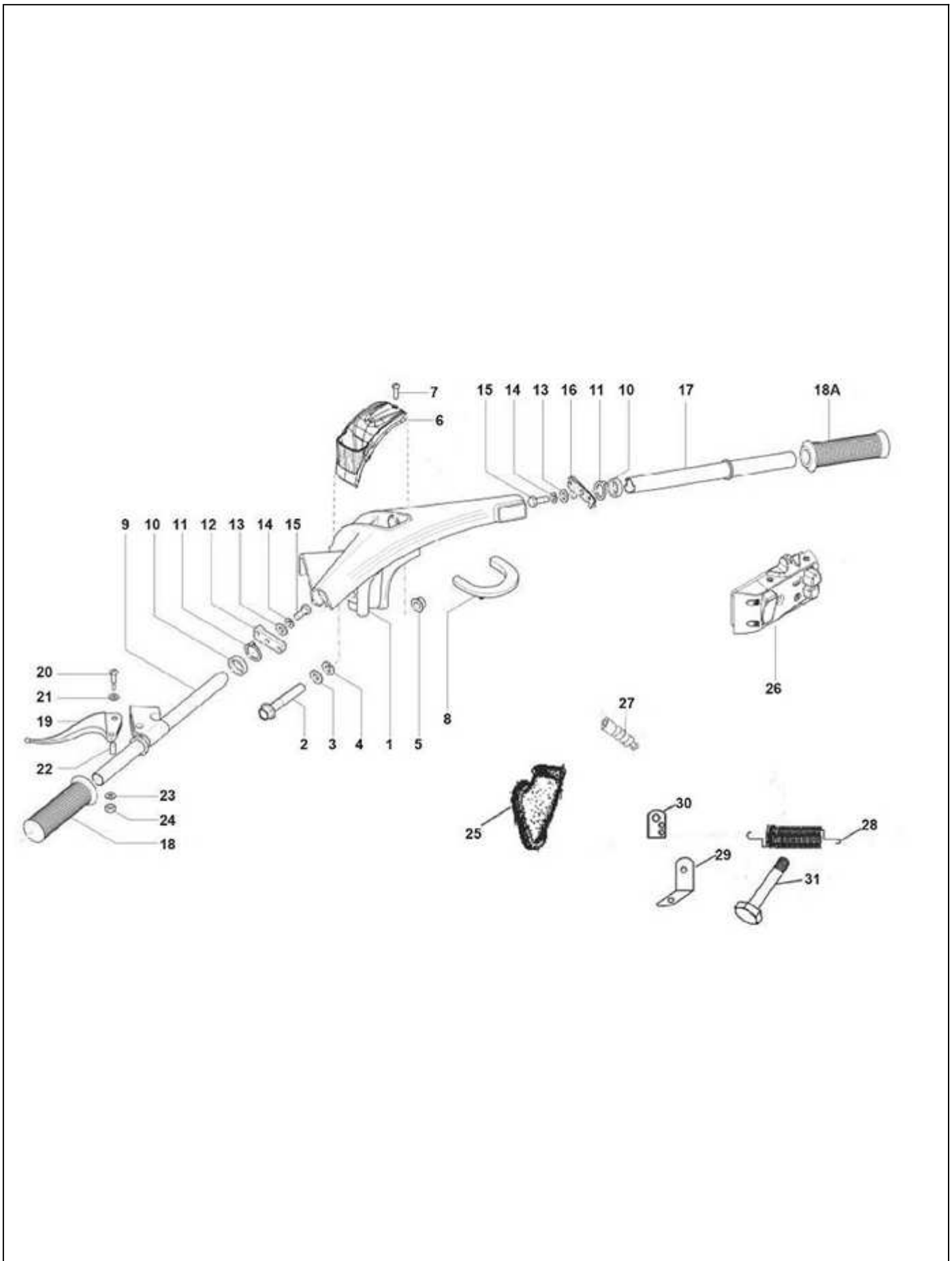


PLATE-26**Handlebar And Control**

Fig. No.	Part No.	Description	Qty	Remarks
1	B075687ED	HANDLE BAR BODY-ED	1	
2	30104	MOUNTING BOLT M10 X 75	1	
3	16626	PLAIN WASHER (18X10.5X2)	2	
4	16410	SPRING WASHER	1	
5	21110	HEX UT M10 X 1.25 P ASSY.	1	
6	B073817	COVER	1	
7	632158	CSK HEAD SCREW	1	
8	126902	PROTECTION COLLAR CABLE	1	
9	127451	TUBE WITH TERMINAL S/A	1	
10	109404	WASHER OF RABBET(41737)	1	
11	60565	SPRING WASHER	1	
12	109775	GEAR CONTROL LEVER S/A	1	
13	3055	RAW WASHER(808000527)	2	
14	16406	SPRING WASHER	2	
15	31089	HEX HEAD SCREW M6X18 CL 8.8	2	
16	109635	THROTTLE CONTROL LEVER WITH IP	1	
17	587902	ACCELERATOR TUBE ASSY.	1	
18	B073848	HANDLE BAR GRIP - LH	2	
18 A	B073849	HANDLE BAR GRIP - RH	1	
19	164906	CLUTCH CONTROL LEVER	1	
20	15618	SLT PAN HD SCREW	1	
21	16319	BENT SPRING WASHER	1	
22	125181	SPACER	1	
23	16620	PLAIN WASHER	1	
24	12138	NYLOCK NUT M6	1	
25	109227	PROTECTION GROMMET	1	
26	B073850	HANDLE BAR SWITCH	2	
27	118806	PROTECTION BELLOW	2	
28	B073800	TORSIONAL SPRING	1	
29	B074498	BRACKET	1	
30	B074040	PLATE SPRING MTG. HANDLE BAR	1	
31	30104	MOUNTING BOLT M10 X 75	1	

PLATE-27

Brake-Tandem Master Cylinder ,Brake Pipe And Hand Brakes

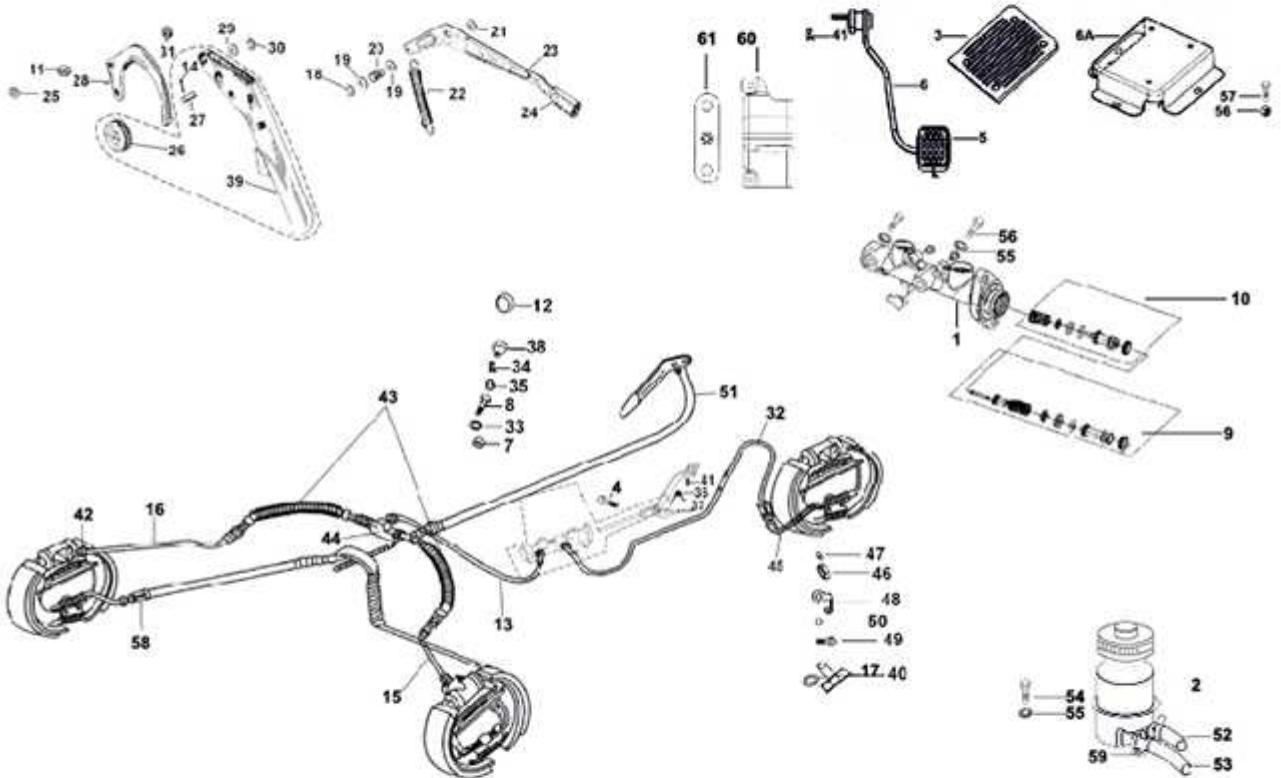


PLATE-27**Brake-Tandem Master Cylinder ,Brake Pipe And Hand Brakes**

Fig. No.	Part No.	Description	Qty	Remarks
1	B075485	TMC ASSY.(19.05)	1	
2	B073788	BRAKE OIL TANK	1	
3	B074024	RUBBER MAT FOR FOOT REST	1	
4	652001	PIN	1	
5	567461	RUBBER PROTECTION FOR PEDAL	1	
6	B076847	BRAKE PEDAL ASSLY	2	
6A	B073538	FOOT REST	1	
7	20108	HEX NUT M8	2	
8	812061656	CSK PHILIPS HEAD SCREW M6 X 16	2	
9	940067	MAJOR KIT TMC (UG)	1	
10	940068	MINOR KIT TMC (UG)	1	
11	20106	HEX NUT M6	2	
12	B042693	CUP RETAINING SPRING (SPLIT TYPE)	2	
13	B075491	BRAKE BUNDY TUBE TMC TO REAR WHEEL	1	
14	567920	SPLIT PIN	3	
15	B075835	BRAKE BUNDY TUBE FOR LH REAR WHEEL	1	
16	B075836	BRAKE BUNDY TUBE FOR RH REAR WHEEL	1	
17	3055	RAW WASHER(808000527)	1	
18	5969	CIRCLIP DIA 9 E TYPE	1	
19	6173	METALLIC PLAIN WASHER (808001026)	2	
20	108785	SPRING	1	
21	B042317	SPACER-RC LEVER	1	
22	567690	REVERSE GEAR COUPLING SPRING	1	
23	125411	BACKING COMMAND LEVER	1	
24	604717	KNOB FOR R.C.	1	
25	16406	SPRING WASHER	2	
26	B075475	PULLEY FOR HAND BRAKE	1	
27	567899	CLEVIS PIN	1	
28	B042794	RATCHET , HAND BRAKE CONTROL	1	
29	16408	SPRING WASHER M8	1	
30	6411	EXT CIRCLIP DIA 11	1	
31	20108	HEX NUT M8	1	
32	B075490	BRAKE BUNDY TUBE TMC TO FRONT WHEEL	1	
33	16408	SPRING WASHER M8	2	
34	567920	SPLIT PIN	1	

PLATE-27

Brake-Tandem Master Cylinder ,Brake Pipe And Hand Brakes

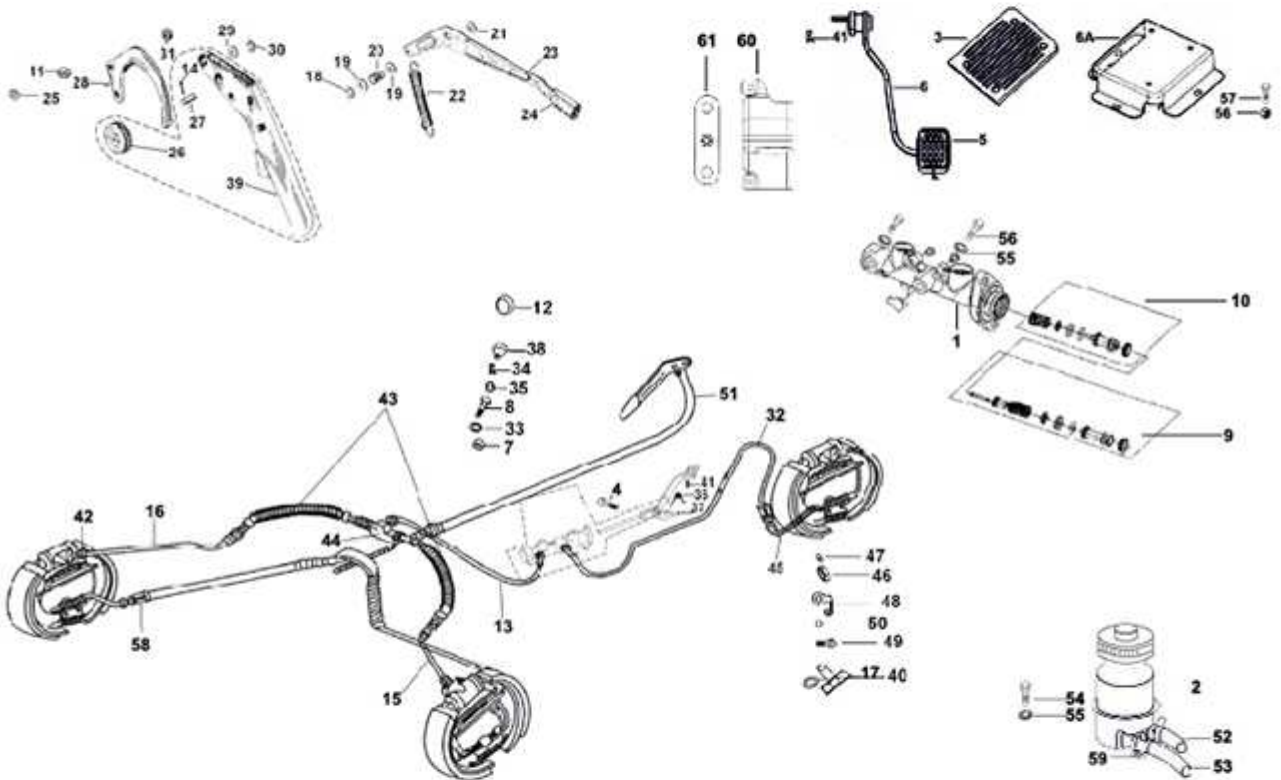


PLATE-27**Brake-Tandem Master Cylinder ,Brake Pipe And Hand Brakes**

Fig. No.	Part No.	Description	Qty	Remarks
35	3058	PLAIN WASHER 15X8.4X1.5	1	
36	B073800	TORSIONAL SPRING	1	
37	229524	WASHER 21X14.3X2	1	
38	138237	CAP	1	
39	B075697	HAND BRAKE CONTROL ASSLY	1	
40	632056	HEX NUT M6	1	
41	568737	SPLIT PIN 4 X 25 (821 0425 2 2)	2	
42	136916	PLATE FOR RETAINING THE BRAKE FLEX. PIPE	3	
43	644814	FLEXIBLE PIPING FOR REAR WHEEL BRAKE	2	
43	B023786	BRAKE HOSE RR, FLEXIBLE PIPE	2	
44	643692	THREE WAY UNION	1	
45	587624R	FLEXIBLE PIPING FOR FRONT WHEEL BRAKE R	1	
46	21216	HEX NUT M16 X 1.5	1	
47	48197	PL WASHER 24X16X1.5	13	
48	B003228	LOCK PLATE FRONT BRAKE HOSE	1	
49	661229	BANJO BOLT	1	
50	604910	COPPER WASHER FEED PUM	1	
51	B041774	PARKING BRAKE CABLE ASSY	1	
52	B075488	TUBE NO-1-BRAKE OIL TANK TO TMC	1	
53	B075489	TUBE NO-2 -BRAKE OIL TANK TO TMC	1	
54	B074999	HEX BOLT	2	
55	13880	METALIC PLAIN WASHER	4	
56	20104	HEX NUT M4	4	
57	31088	HEX HD SCREW M6 X 16 CL 8.8 (811061623)	4	
58	B076007	PIPE CLIP 1 WAY	6	
59	B075838	CLAMP	2	
60	B075949	TMC PROTECTIVE SHIELD	1	
61	B075950	TMC SHIELD MTG. BKT.	1	

PLATE-28
ELECTRICAL DEVICES

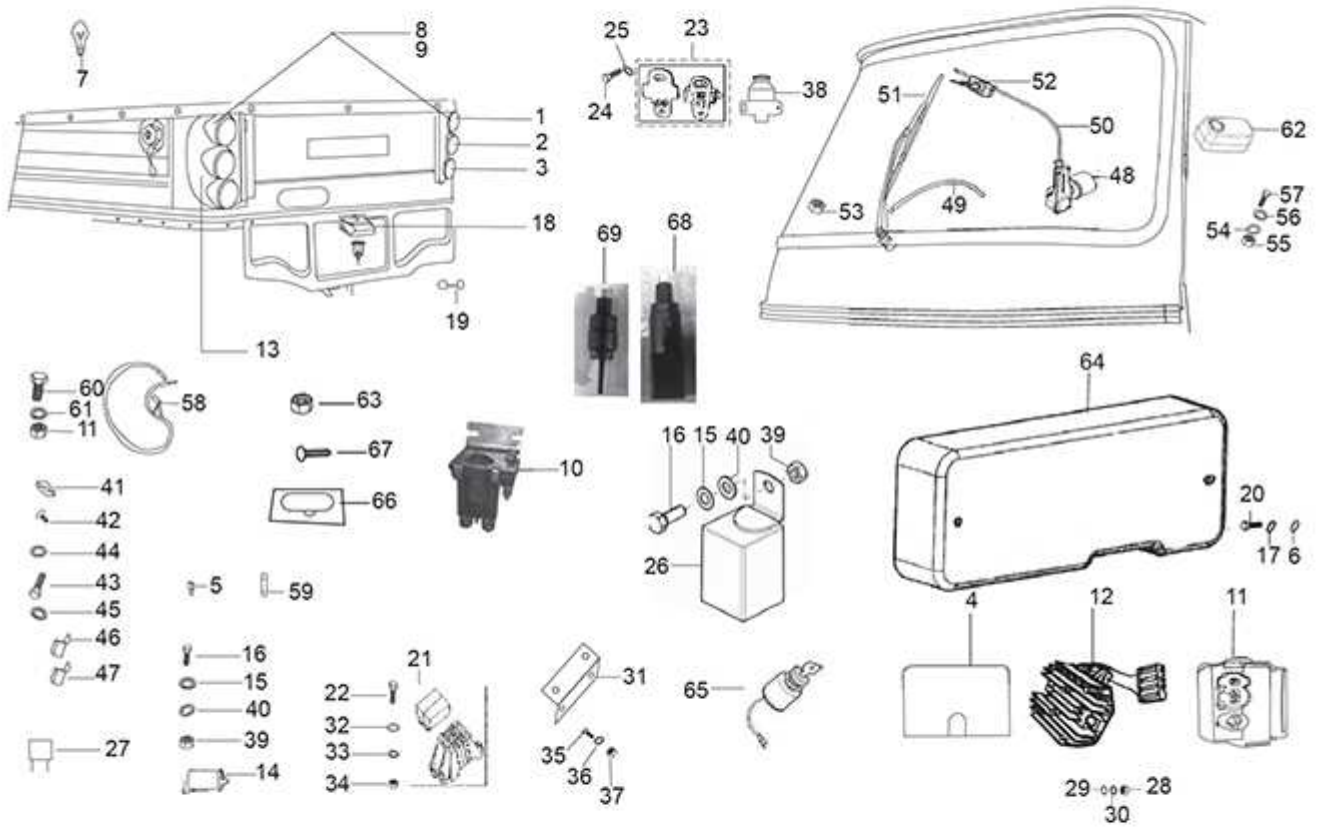


PLATE-28**ELECTRICAL DEVICES**

Fig. No.	Part No.	Description	Qty	Remarks
1	932290	TAIL LAMP LENS (TURN SIGNAL PAXX 200)	2	
2	932291	TAIL LAMP LENS (STOP/TAIL PAXX 200)	2	
3	932292	TAIL LAMP LENS REVERSE (PAXX 200)	2	
4	B024056	COVER CDI	1	
5	604557	FUSE (10A)	6	
6	3055	RAW WASHER(808000527)	1	
7	925584	BULB 12 V 21W CLEAR (PARKING AND INDICATOR)	2	
7	567700	BULB 10/5W (STOP LIGHT)	2	
8	B024643	TAIL LAMP ASSY. LH	1	
9	B024642	TAIL LAMP ASSY. RH	1	
10	587671R	4 ST RELAY SOLENOID	1	
11	1D001418	ELECTRONIC STARTER UNIT(LAM) - PURPLE COLOUR	1	
11	1D000510	ELECTRONIC STARTER UNIT	1	LAM -PTL HS
12	1D000671R	VOLTAGE REGULATOR	1	
13	B024641	REAR LAMPS SUPPORT PAX 200 (GREY)	2	
14	B023727R	CONTACTOR	1	
15	12546	PLAIN WASHER / MULTI TOOTH LOCK WASHER M5	1	
16	31057	HEX HEAD SCREW M5 X 14 CL 8.8	1	
17	568721	SPRING WASHER M4	2	
18	150915R	REGISTRATION PLATE LAMP ASSY	1	
19	71633	STOP AND PARKING BULB 12V 10/5 W	1	
20	8451	PAN SELF TP SCREW 6 SGX13 AB	2	
21	567581	FOUR POLE FUSE BOX	1	
22	31058	HEX HEAD SCREW M5 X 16 CC8.8	2	
23	567498R	BRAKE/REVERSE LIGHT SW (INTEGRAL CAP)-PAV	2	
24	15996	PHIL RD HD SCREW M4X12	2	
25	3054	PLAIN WASHER	2	
26	680166	SAFETY STARTER RELAY	1	
27	567706	FUSE 30 A	1	
28	12136	NUT / NYLOCK NUT M5	2	
29	6078	PLAIN WASHER 12 X 5.2 X 1	2	
30	16405	SPRING WASHER M5	2	
31	B075693	MTG BKT ONE WAY FUSE - HOLDER	1	
32	3055	RAW WASHER(808000527)	2	
32	6078	PLAIN WASHER 12 X 5.2 X 1	2	

PLATE-28
ELECTRICAL DEVICES

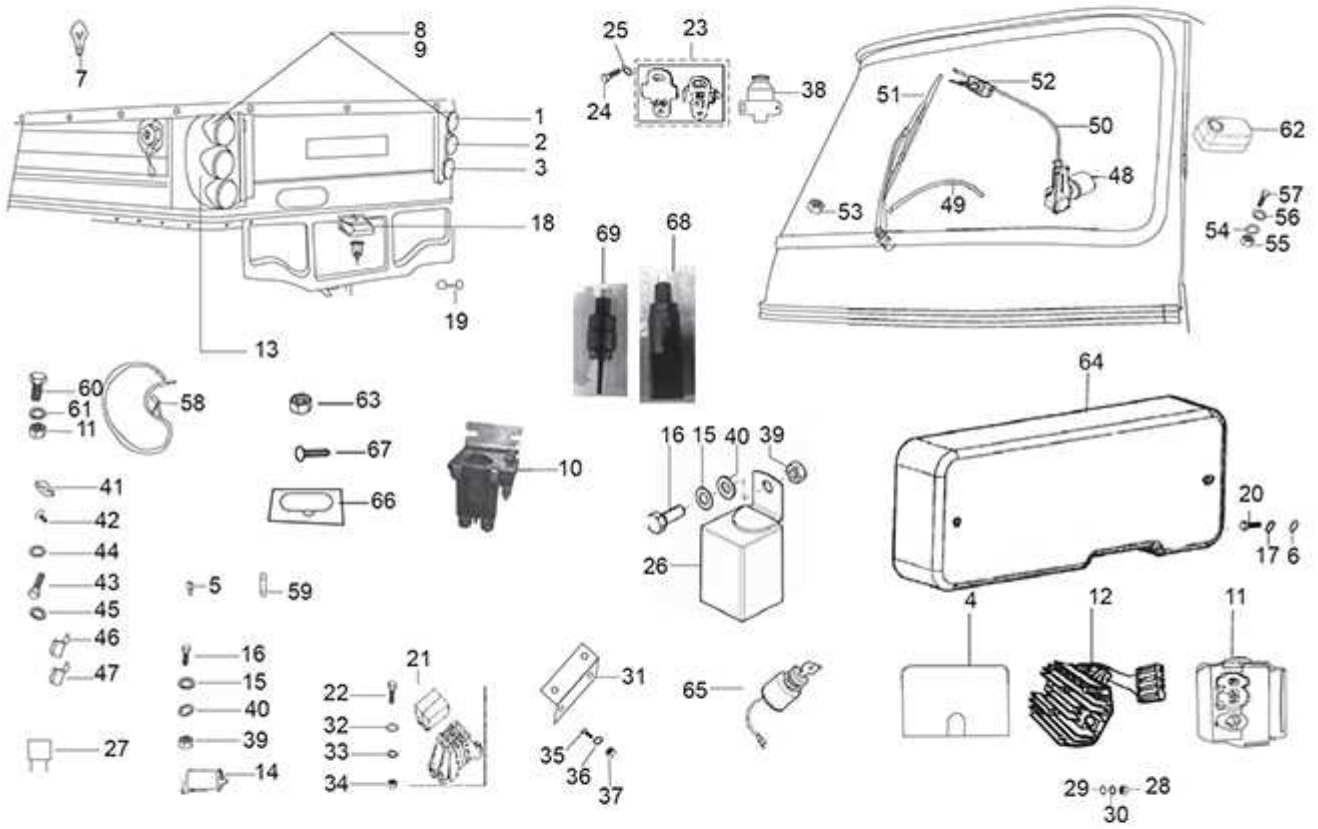


PLATE-28**ELECTRICAL DEVICES**

Fig. No.	Part No.	Description	Qty	Remarks
33	6965	SPRING WASHER DIA 5	2	
34	20105	HEX NUT M5	2	
35	31058	HEX HEAD SCREW M5 X 16 CC8.8	22	
36	6965	SPRING WASHER DIA 5	2	
37	20105	HEX NUT M5	2	
38	567747	STOP (BRAKE) SWITCH PROTECTION/PACKING BOOT	21	
39	20105	HEX NUT M5	1	
40	3055	RAW WASHER(808000527)	1	
41	B075693	MTG BKT ONE WAY FUSE - HOLDER	1	
42	568692	PAN SELF TAP SCREW 6SG X 16AB	1	
43	31088	HEX HD SCREW M6 X 16 CL 8.8 (811061623)	1	
44	3056	PLAIN WASHER	1	
45	16406	SPRING WASHER	1	
46	680166	SAFETY STARTER RELAY	1	
47	B023727R	CONTACTOR	1	
48	B073685	WIPER MOTOR ASSY. WITH MTG. BKT.	1	
49	B073821	BUNDY TUBE OUTER (UP)	1	
50	B073682	WIPER BUNDY - MOTOR TO WHEEL BOX	1	
51	B073600	WIPER ARM & BLADE ASSY	1	
52	569197	WHEEL BOX ASSY. (MOD.)	1	
53	569165	DOME NUT	1	
54	16406	SPRING WASHER	1	
55	20106	HEX NUT M6	6	
56	3056	PLAIN WASHER	6	
57	31088	HEX HD SCREW M6 X 16 CL 8.8 (811061623)	6	
58	B078212	BATTERY CABLE +VE-BATT. TO 4ST (CITY)	1	
59	925786	ECU - FUSE (2A) (N.I)	1	
60	31088	HEX HD SCREW M6 X 16 CL 8.8 (811061623)	2	
61	16406	SPRING WASHER	2	
62	B073715	CABIN LAMP	1	
63	20106	HEX NUT M6	2	
64	B073492	PLASTIC COVER-ELECTRICAL CLUSTER	1	
65	B024532	KEY IGNITION SWITCH W/COUPLER (PAVNA)	1	
66	B074491	ENGINE COMPARTMENT LAMP WITH PIGTAIL (UP)	1	
67	B074539	PHILIPS COUNTER HEAD SCREW	2	

PLATE-29
FRONT FACIA & HEAD LAMP ASSY

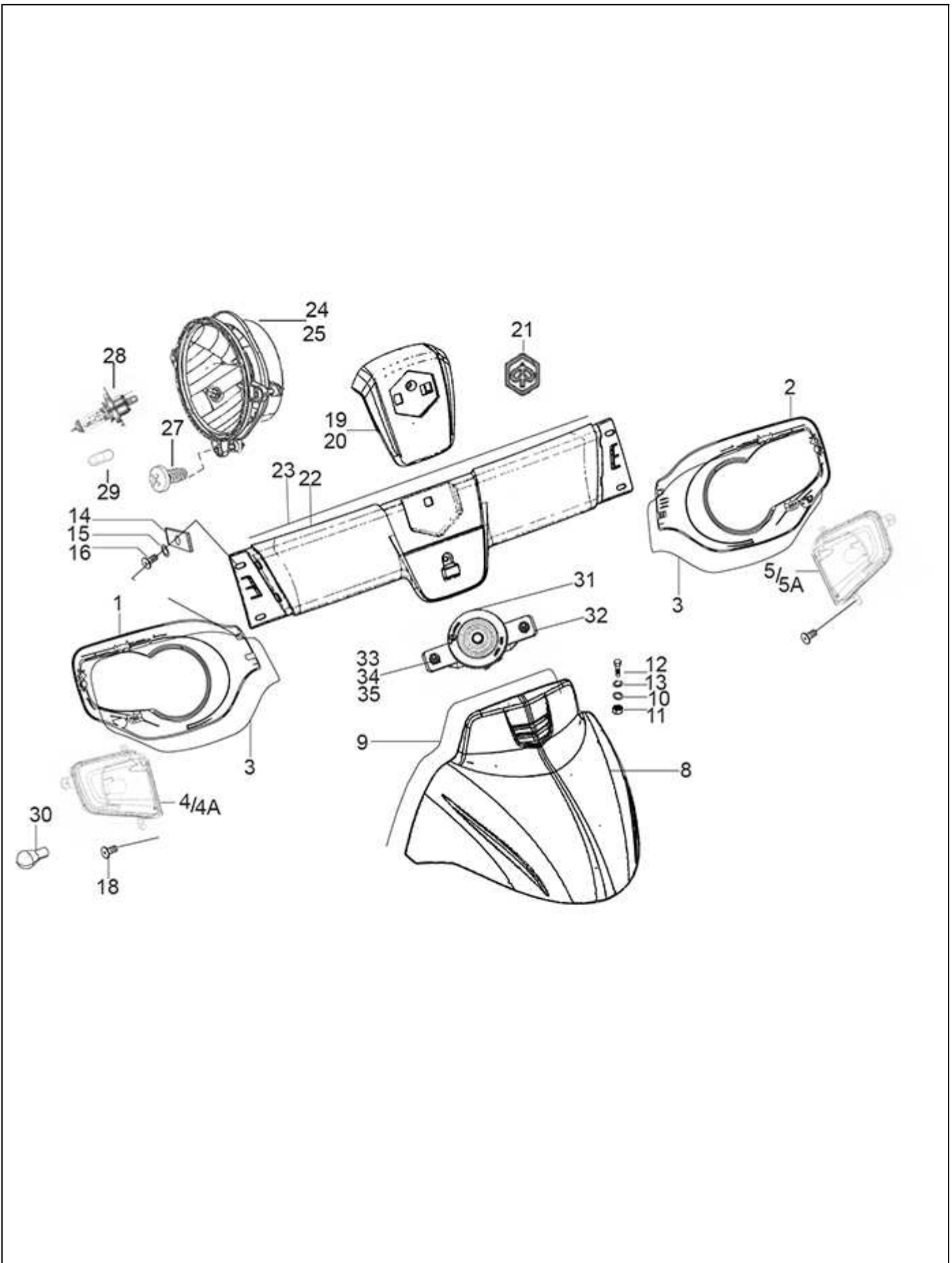


PLATE-29**FRONT FACIA & HEAD LAMP ASSY**

Fig. No.	Part No.	Description	Qty	Remarks
1	B074434	BEZEL_HEADLAMP BLINKER (RH)	1	
2	B074433	BEZEL_HEADLAMP BLINKER (LH)	1	
3	B073969	HL BEZEL BEADING	2	
4	B074171	SIDE BLINKER S/A RH	1	
4A	B078272	BLINKER HOUSING (RH)-(HOUSING + GLASS)	1	
5	B074170	SIDE BLINKER S/A LH	1	
5A	B078274	BLINKER HOUSING (LH)-(HOUSING + GLASS)	1	
6	3056	PLAIN WASHER	4	
7	20106	HEX NUT M6	4	
8	B073882WR	FRONT MUDGUARD - PAINTED-WR	1	
8	B073882BW	FRONT MUDGUARD - PAINTED-BW	1	
8	B073882GY	FRONT MUDGUARD - PAINTED - GY	1	
8	B073882CB	FRONT MUDGUARD - PAINTED -CB	1	
8	B073882EG	FRONT MUDGUARD - PAINTED - EG	1	
8	B073882NB	FRONT MUDGUARD - PAINTED - NB	1	
8	B073882BL	FRONT MUDGUARD - PAINTED - BL	1	
9	-	REAR VEHICLE SIDE HALF-HINGE	1	NS
9	B074063	GASKET FOR FRONT MUDGUARD	1	LAM -PTL HS
10	13880	METALIC PLAIN WASHER	8	
11	20106	HEX NUT M6	4	
12	31089	HEX HEAD SCREW M6X18 CL 8.8	4	
13	78307	BENT SPRING WASHER M6	4	
14	8080	SPRING PLATE	4	
15	3055	RAW WASHER(808000527)	10	
16	660168	PAN SELF TP. SCREW 10 SGX13AB	5	
17	157716	SCREW ANCHORE	8	
18	B074539	PHILIPS COUNTER HEAD SCREW	4	
19	B073875	LOGO SUPPORT - NOT PAINTED	1	
20	B073875SL	LOGO SUPPORT - PAINTED	1	
21	B076120	HEXAGONAL EMBLEM	1	
22	B073872	CENTRAL FACIA	1	
23	B073970	CENTRAL FACIA BEADING UPPER	1	
24	B077866	HEADLAMP ASSY LH	1	
25	B077865	HEADLAMP ASSY RH	1	
26	658810	SPRING FIXING ON RIM HEAD LIGHT	2	

PLATE-29
FRONT FACIA & HEAD LAMP ASSY

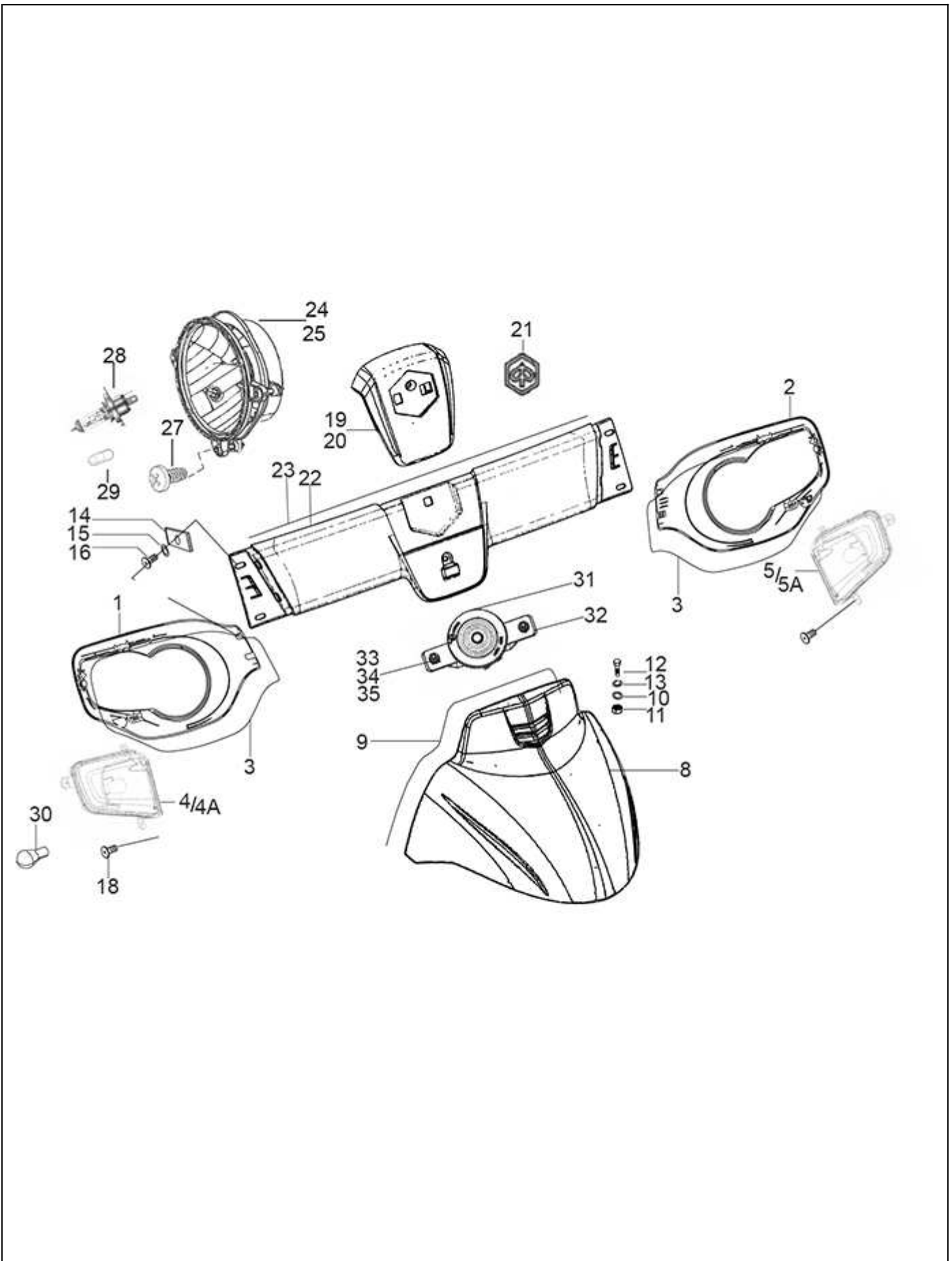


PLATE-29**FRONT FACIA & HEAD LAMP ASSY**

Fig. No.	Part No.	Description	Qty	Remarks
27	15900	HEAD LAMP SECURING SCREW/PAN SELF TAP SCREW	6	
28	B078286R	HS1_BULB (12 V _35/35W	2	
29	567593	BULB 12V 5W / LAMP 4W	2	
30	925581	INDICATOR LIGHT BULB 12V 21W AMBER COLOUR	2	
31	B074033	HORN ASSLY(DIA 70)	1	
32	B073953	HORN MTG. BKT S/A	1	
33	16406	SPRING WASHER	4	
34	3056	PLAIN WASHER	4	
35	20106	HEX NUT M6	4	

PLATE-30
PASSENGER AUTO RICKSHAW BODY

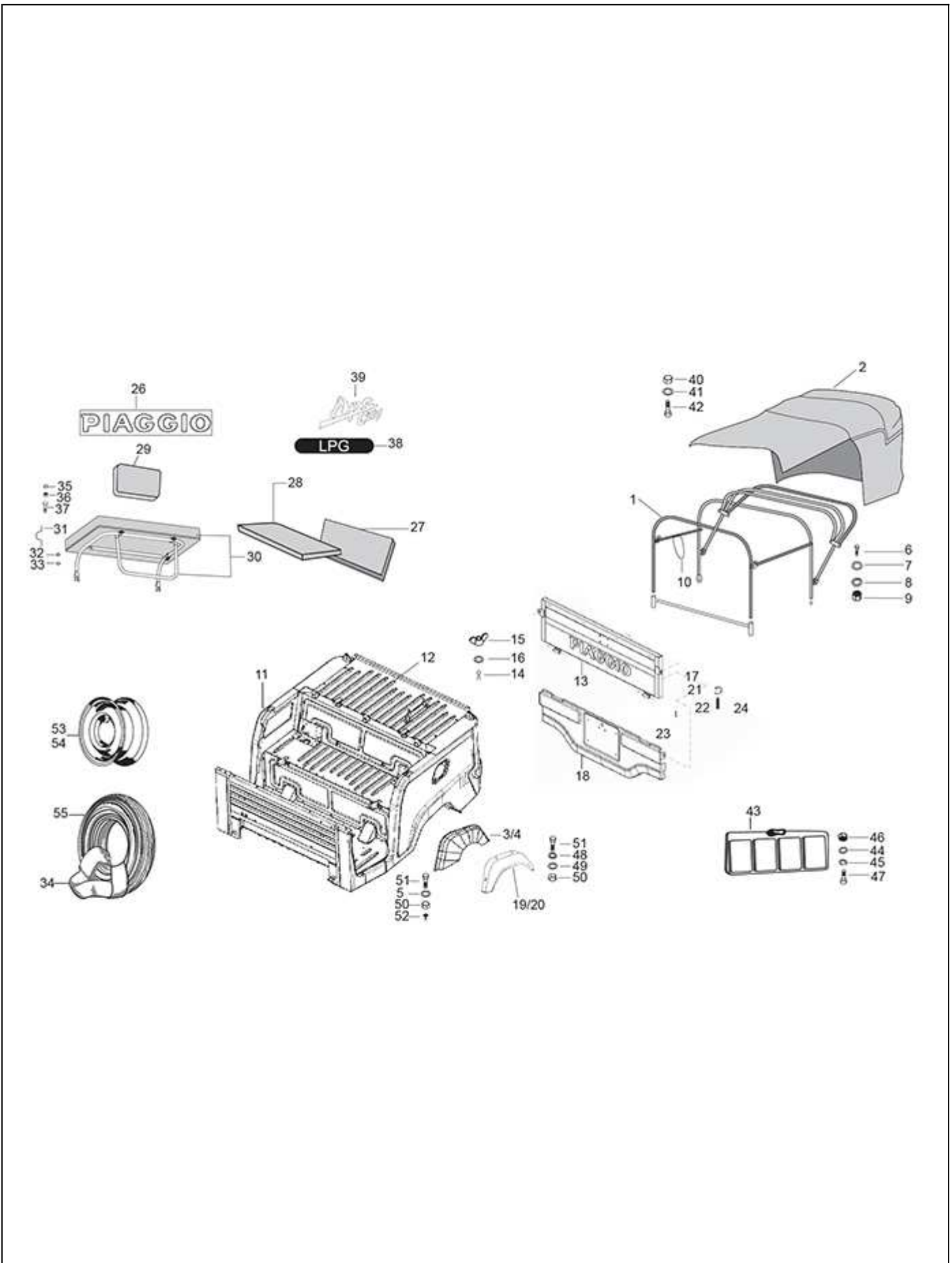


PLATE-30**PASSENGER AUTO RICKSHAW BODY**

Fig. No.	Part No.	Description	Qty	Remarks
1	B078026	HOOD FRAME ASSY.	1	
2	B074640	SOFT TOP ASSLY COLOUR BLACK (CLOSE)	1	
2	B074641	SOFT TOP ASSLY YELLOW COLOUR (CLOSE)	1	
3	B041397	COVER INNER MUDGAURD RH	1	
4	B041398	COVER INNER MUDGAURD LH	1	
5	3055	RAW WASHER(808000527)	4	
6	31088	HEX HD SCREW M6 X 16 CL 8.8 (811061623)	4	
7	3056	PLAIN WASHER	4	
8	16406	SPRING WASHER	4	
9	632056	HEX NUT M6	4	
10	B073598	HANDLE CANOPY STRAP	1	
11	B076375BY	PASSENGER BODY ASSLY CNG/LPG BSIV-BY	1	
11	B076375CB	PASSENGER BODY ASSLY CNG/LPG BSIV-CB	1	
11	B076375EG	PASSENGER BODY ASSLY CNG/LPG BSIV-EG	1	
11	B076375BW	PASSENGER BODY ASSLY CNG/LPG BSIV-BW	1	
11	B076375GY	PASSENGER BODY ASSLY CNG/LPG BSIV-GY	1	
11	B076375NB	PASSENGER BODY ASSLY CNG/LPG BSIV-NB	1	
11	B076375WR	PASSENGER BODY ASSLY CNG/LPG BSIV-WR	1	
11	B075142CB	PASSENGER BODY PAX UPGRADE PTL-CB (FOR SNORKEL BODY)	1	LAM -PTL HS
11	B075142EG	PASSENGER BODY PAX UPGRADE PTL-EG (FOR SNORKEL BODY)	1	LAM -PTL HS
11	B075142GY	PASSENGER BODY PAX UPGRADE PTL-GY (FOR SNORKEL BODY)	1	LAM -PTL HS
11	B075142WR	PASSENGER BODY PAX UG / BSIV PTL-EG -WR	1	LAM -PTL HS
11	B075142BL	PASS BODY PAX UPGR SNORKL P/D (SPD)-BLK	1	LAM -PTL HS
12	B042352ED	ENGINE COMP DOOR ASSLY A CITY (CNG/LPG)	1	
12	B001635ED	ENGINE COMP. DOOR ASSY.-PTL.	1	LAM -PTL HS
13	B076520	TAIL GATE ASSY.	1	
14	568737	SPLIT PIN 4 X 25 (821 0425 2 2)	2	
15	B006593	WING NUT M6	2	
16	3058	PLAIN WASHER 15X8.4X1.5	4	
17	B003030	COVER TAIL LAMP GAP	2	
18	B025672CED	REAR VISUAL BARRIER ASSY.	1	
19	B073853	RR MUDGUARD RH	1	
20	B073852	MUDGUARD REAR LH	1	
21	B001423	KNOB REAR DOOR	2	
22	B003654	RUBBER BUSH ENGINE DOO	2	

PLATE-30
PASSENGER AUTO RICKSHAW BODY

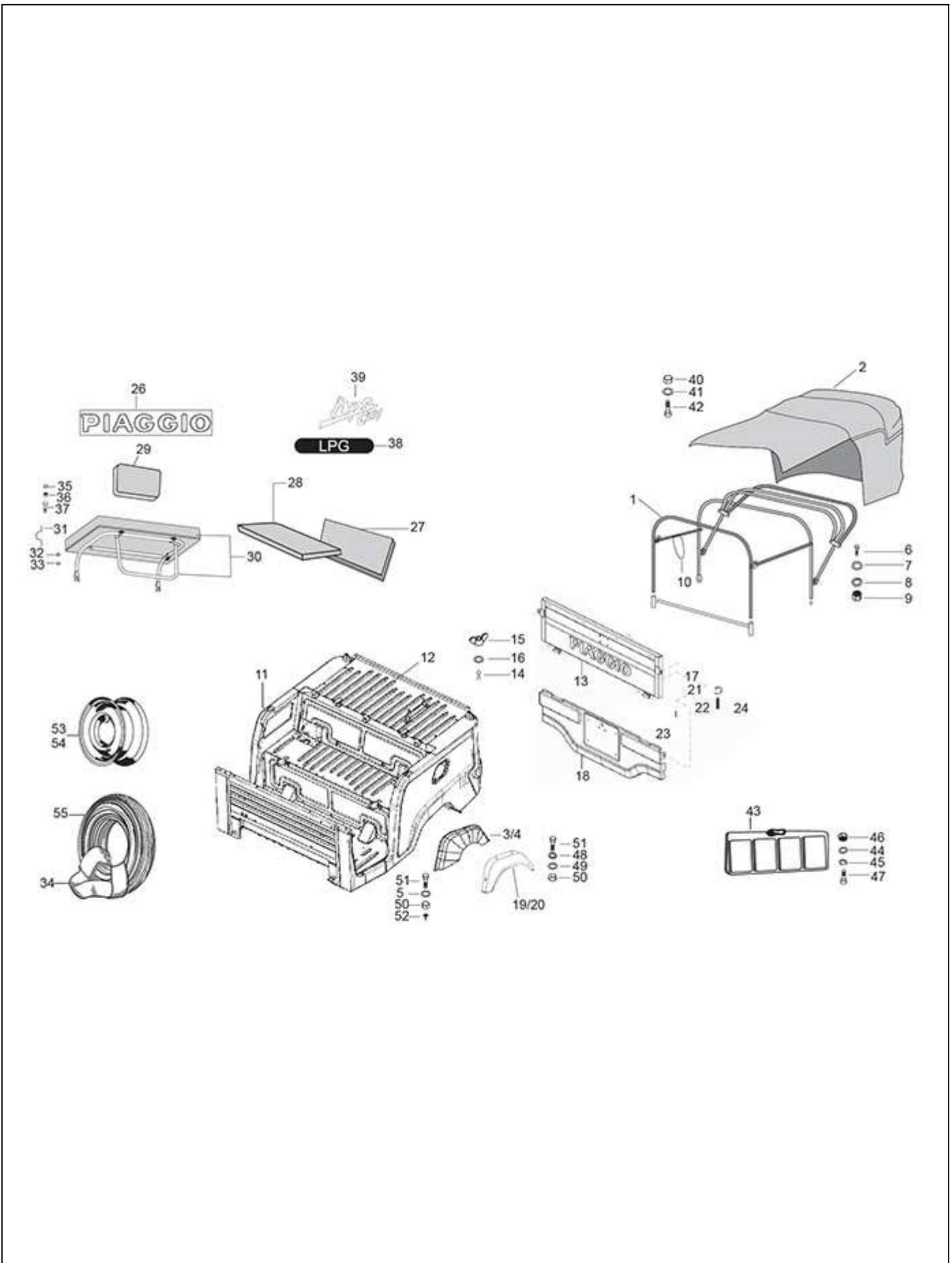


PLATE-30**PASSENGER AUTO RICKSHAW BODY**

Fig. No.	Part No.	Description	Qty	Remarks
23	16670	PLAIN WASHER 12X4.5X1	2	
24	B001402	SCREW FOR DOOR KNOB	2	
25	B003422	SPLIT PIN 2.5 X 25	2	
26	661522	STICKER PIAGGIO LOGO (YELLOW)	1	
27	B001317	TYRE & TUBE ASSEMBLY	1	
28	B024512	PASSENGER BACKREST	1	
29	B024516	PASS DRIVER SEAT ASSY (CNG/LPG)	1	
30	B074594	DRIVER BACK REST ASSY	1	
31	B077027	DRIVER SEAT ASSLY COMPLETE BSIV P&C EXP	1	
32	31116	HEX HD. SCREW M8X16	2	
33	B001273	C CLAMP	3	
34	16408	SPRING WASHER M8	6	
35	3058	PLAIN WASHER 15X8.4X1.5	6	
36	B001315	TYRE (4.0 X 8,4 PR)	1	
37	2383	PLAIN WASHER M20X8.5X2	4	
38	20108	HEX NUT M8	2	
39	31119	HEX HD SCREW M8 X 25	2	
40	B006472	PLATE LPG	1	
41	3058	PLAIN WASHER 15X8.4X1.5	2	
42	20108	HEX NUT M8	2	
43	B078919	APE CITY STICKER (FRONT PANEL)	1	
44	20108	HEX NUT M8	2	
45	116831	PLAIN METALLIC WASHER (826000828)	4	
46	30072	HEX HEAD BOLT M8 X 35	2	
47	B041054	MUD FLAP FRONT	1	
48	13880	METALIC PLAIN WASHER	4	
49	16406	SPRING WASHER	4	
50	20106	HEX NUT M6	4	
51	31088	HEX HD SCREW M6 X 16 CL 8.8 (811061623)	4	
52	13880	METALIC PLAIN WASHER	8	
53	16405	SPRING WASHER M5	8	
54	20106	HEX NUT M6	8	
55	31088	HEX HD SCREW M6 X 16 CL 8.8 (811061623)	5	
56	604603	RIVET	5	
57	B074588P	WHEEL RIM ASSLY INNER - PAINTED	1	

PLATE-30
PASSENGER AUTO RICKSHAW BODY

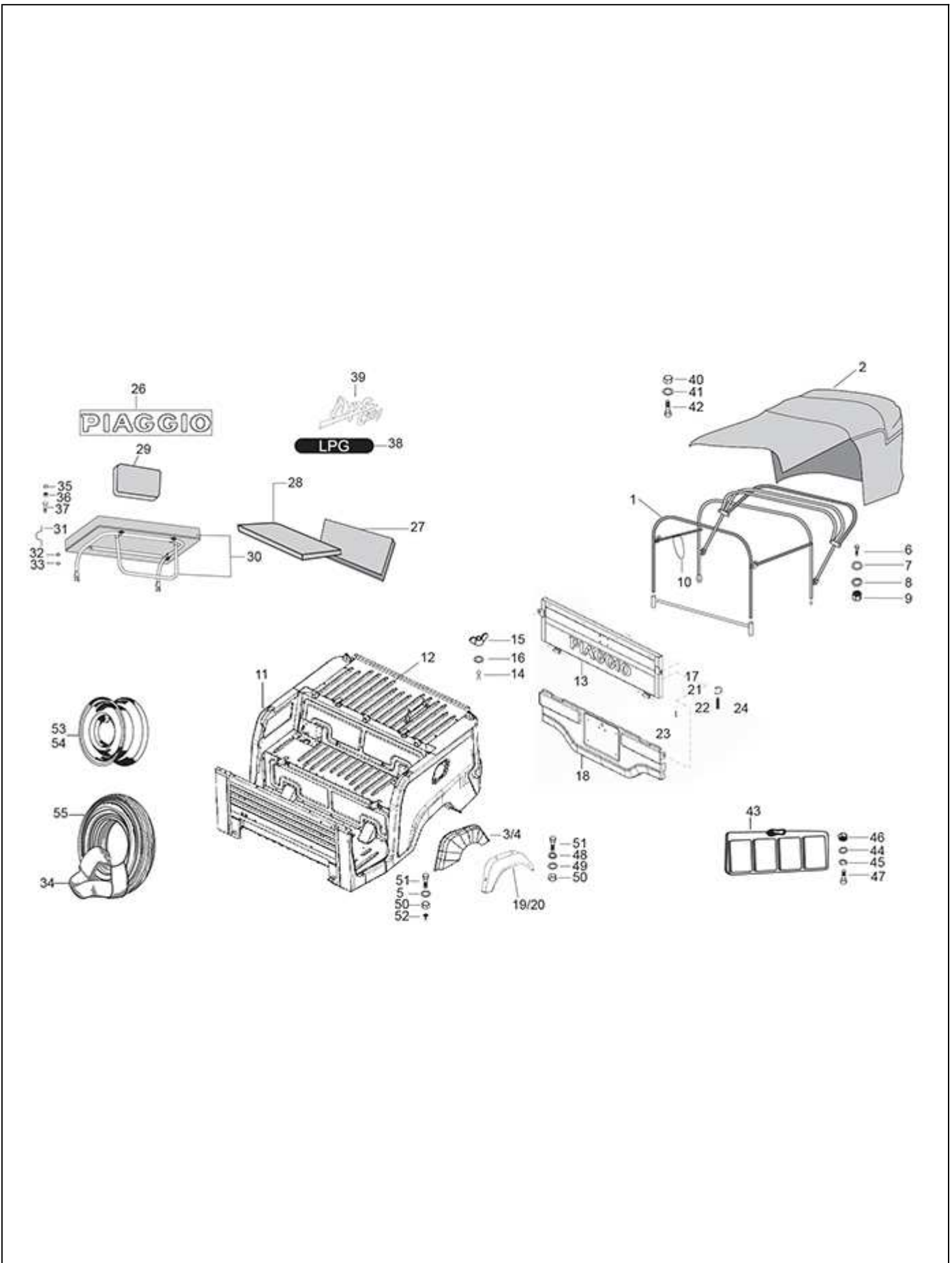


PLATE-30**PASSENGER AUTO RICKSHAW BODY**

Fig. No.	Part No.	Description	Qty	Remarks
58	B074590P	WHEEL RIM OUTER - PAINTED	1	
59	B001315	TYRE (4.0 X 8,4 PR)	1	

PLATE-31
WIRING HARNESS

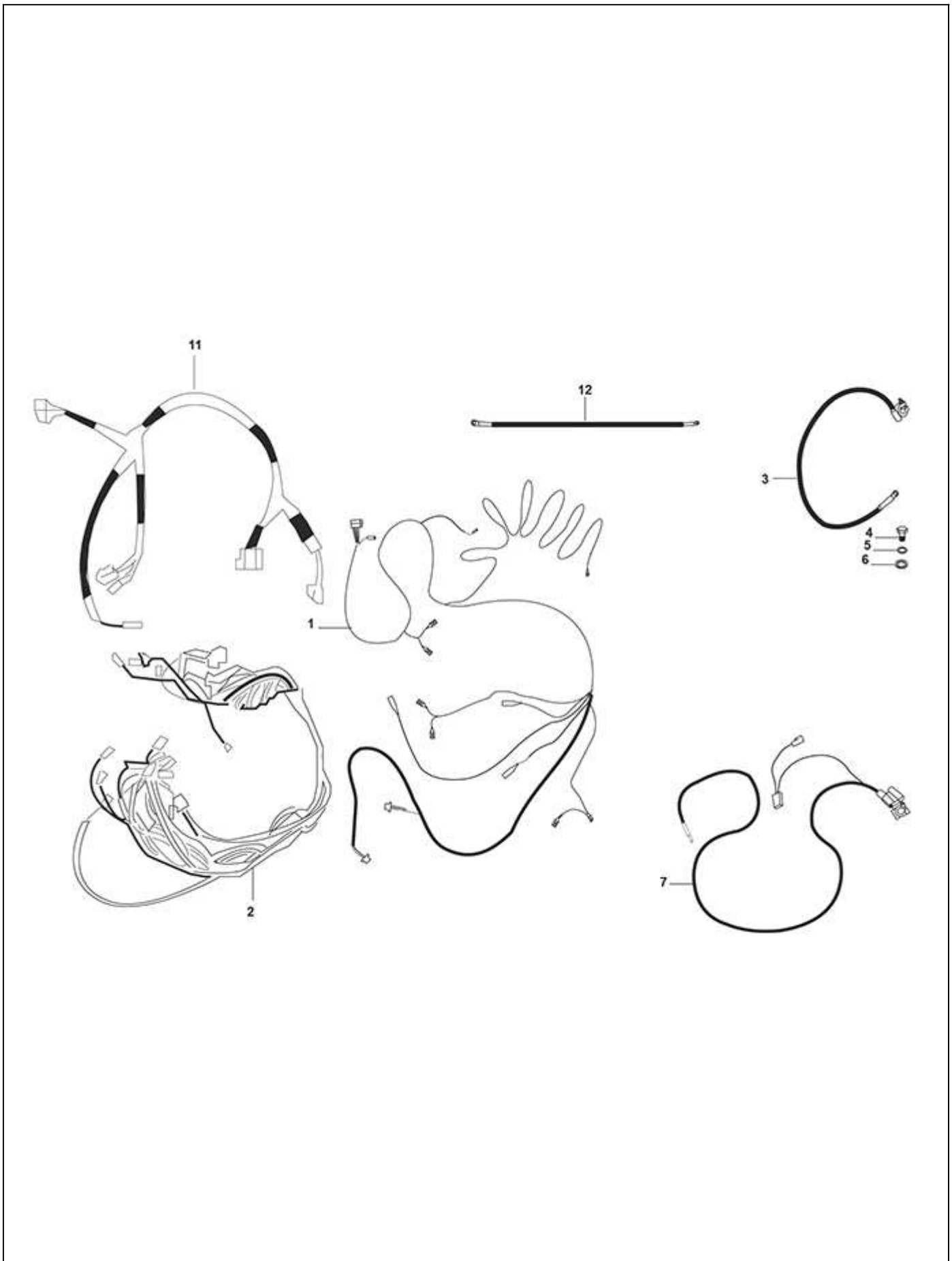


PLATE-31
WIRING HARNESS

Fig. No.	Part No.	Description	Qty	Remarks
1	B075440	WHS MAIN - LPG UPGRADE (FOR SNORKEL VEH.)	1	
1	B075439	WHS MAIN- PETROL UPGRADE (FOR SNORKEL VEH.)	1	LAM -PTL HS
2	B073979	WIRING HARNESS INSTRUMENT PANEL (CNG/LPG)	1	
2	B073978	WIRING HARNESS INSTRUMENT PANEL- PETROL	1	LAM -PTL HS
3	B042063	BATTERY CABLE NEGATIVE	1	
4	31088	HEX HD SCREW M6 X 16 CL 8.8 (811061623)	1	
5	3056	PLAIN WASHER	1	
6	16406	SPRING WASHER	1	
7	B078213	BATTERY +VE CABLE-CUT STARTER MOTOR (LPG/CNG)	1	
7	B078212	BATTERY CABLE +VE-BATT. TO 4ST (CITY)	1	
8	B003110R	PIG TAIL FUEL TANK	1	NOT APP.
9	B075178R	PIG TAIL CABIN LAMP (PASS UPGRADE)(N.I.)	1	NI
10	B075327	GAS KIT W/ HS- LPG- (RH SHIFT) (FOR SNORKEL VEH.)	1	NI
11	B075443	WHS ENGINE (CITY 200) UPGRADE	1	
12	1D001894	GROUND WIRE	1	

PLATE-32
Front Brake Assembly

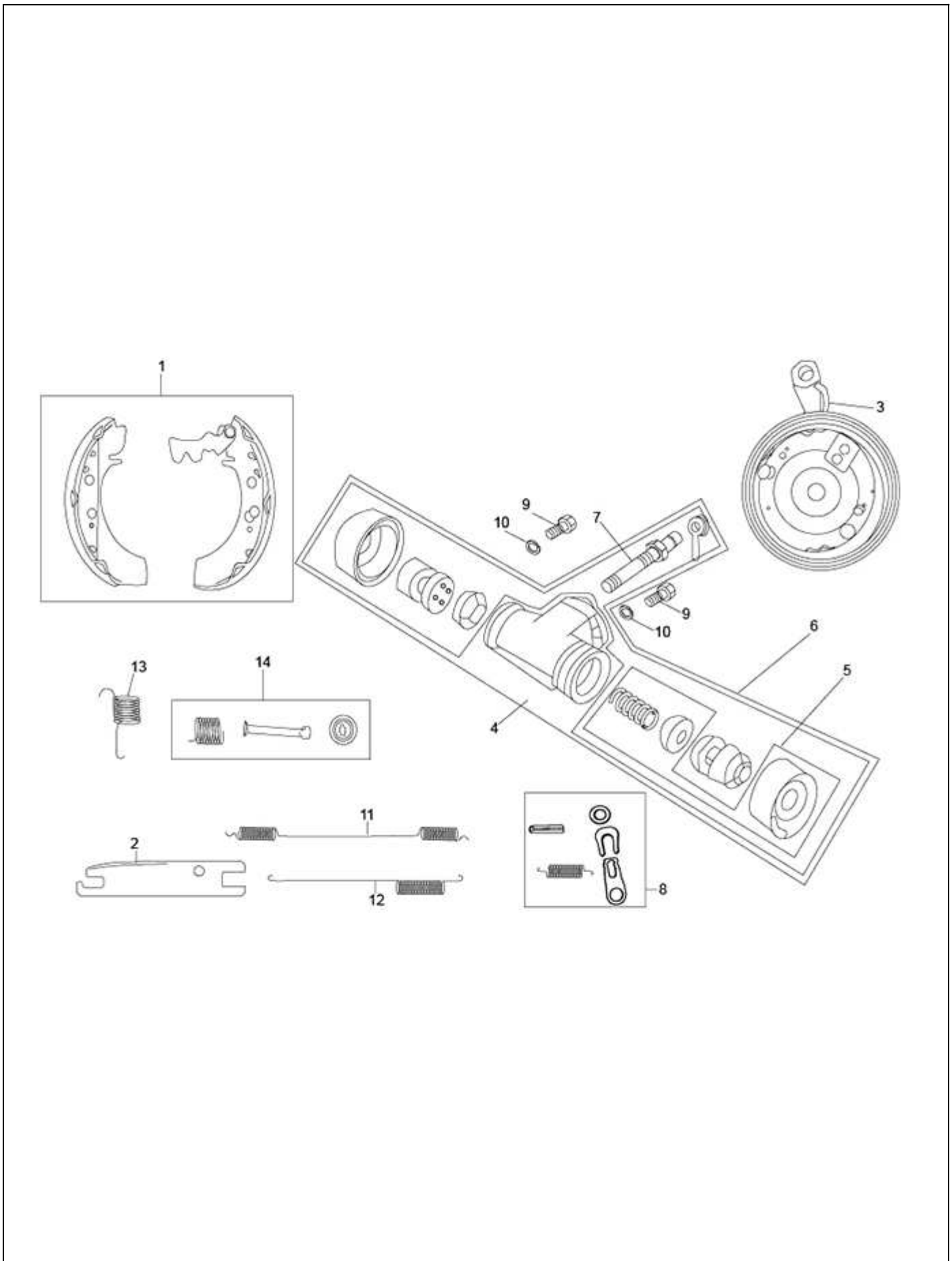


PLATE-32**Front Brake Assembly**

Fig. No.	Part No.	Description	Qty	Remarks
1	KIT95033	FRONT BRAKE LINERS KIT	1	
2	B003008	STRUT FRONT	1	
3	B024113	FRONT BRAKE ASSY.	1	
4	B003017	WHEEL CYLINDER ASSY.	1	
5	B003325	MINOR KIT WHEEL CYLINDER	1	
6	B003324	MAJOR KIT WHEEL CYLINDER	1	
7	B003300	BLEEDER SCREW	1	
8	B006509	CLIP & PIN KIT	1	
9	63440	BOLT M6X12	2	
10	12536	SPRING WASHER	2	
11	B003004	SHOE RETURN SPRING (UPPER)	1	
12	B003003	SHOE RETURN SPRING (LOWER)	1	
13	B003002	STRUT SPRING	1	
14	KIT95036	SHOE HOLD DOWN KIT	1	

PLATE-33
Rear Brake Assembly

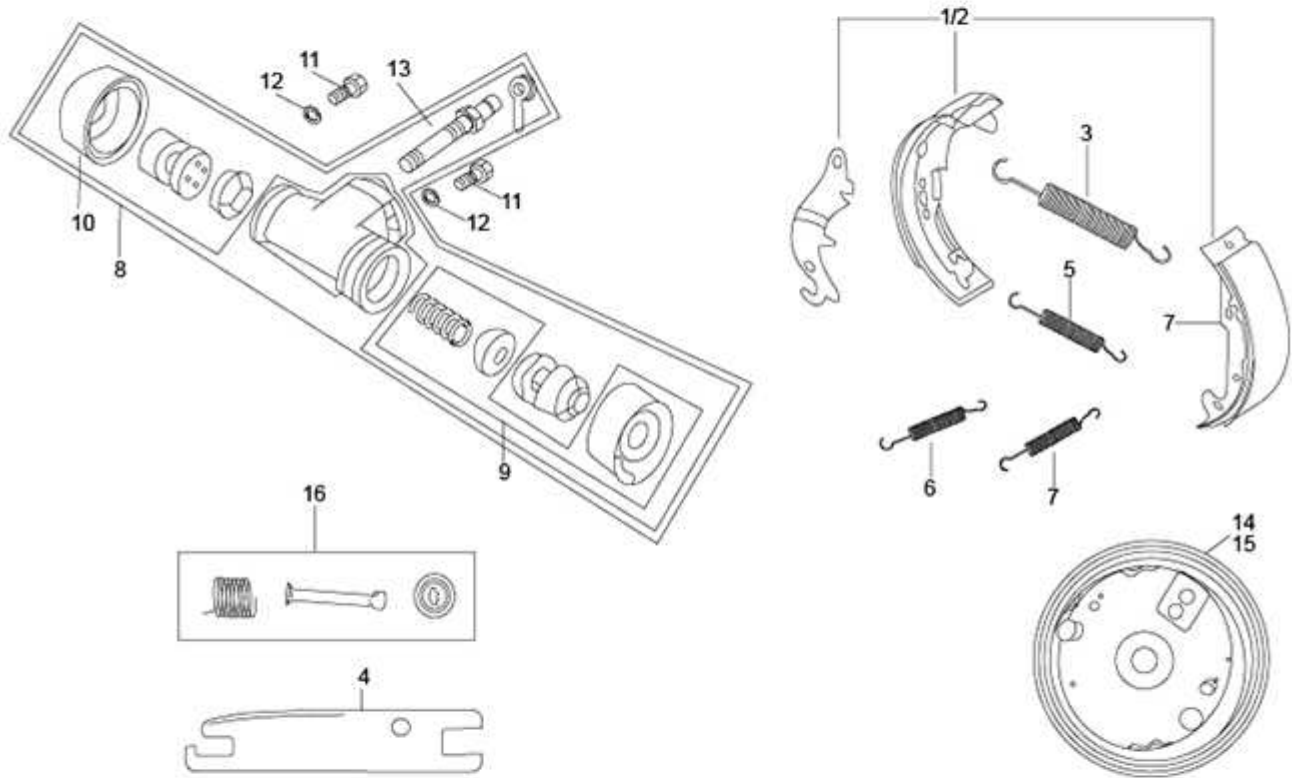


PLATE-33**Rear Brake Assembly**

Fig. No.	Part No.	Description	Qty	Remarks
1	B003330	REAR BRAKE SHOE KIT LH	1	
2	B003331	REAR BRAKE SHOE KIT RH (NI)	1	
3	B003004	SHOE RETURN SPRING (UPPER)	2	
4	B003012	STRUT REAR	2	
5	B003003	SHOE RETURN SPRING (LOWER)	2	
6	B003011	STRUT SPRING RH	1	
7	B003002	STRUT SPRING	1	
8	B003014	WHEEL CYLINDER ASSY. DIA.25.4 MM	1	
9	925574	MINOR KIT WHL CYL. RR	1	
10	B003328	MAJOR KIT WHEEL CYLINDER	1	
11	B002486	BOLT M8 X 35 6G CL 12.9	4	
12	12536	SPRING WASHER	4	
13	B003300	BLEEDER SCREW	2	
14	B001228	BRAKE PLATE ASSY. RH	1	
15	B001225	BRAKE PLATE ASSY. LH (N.I.)	1	
16	B003327	SHOE HOLD DOWN KIT	1	

PLATE-34
Cables

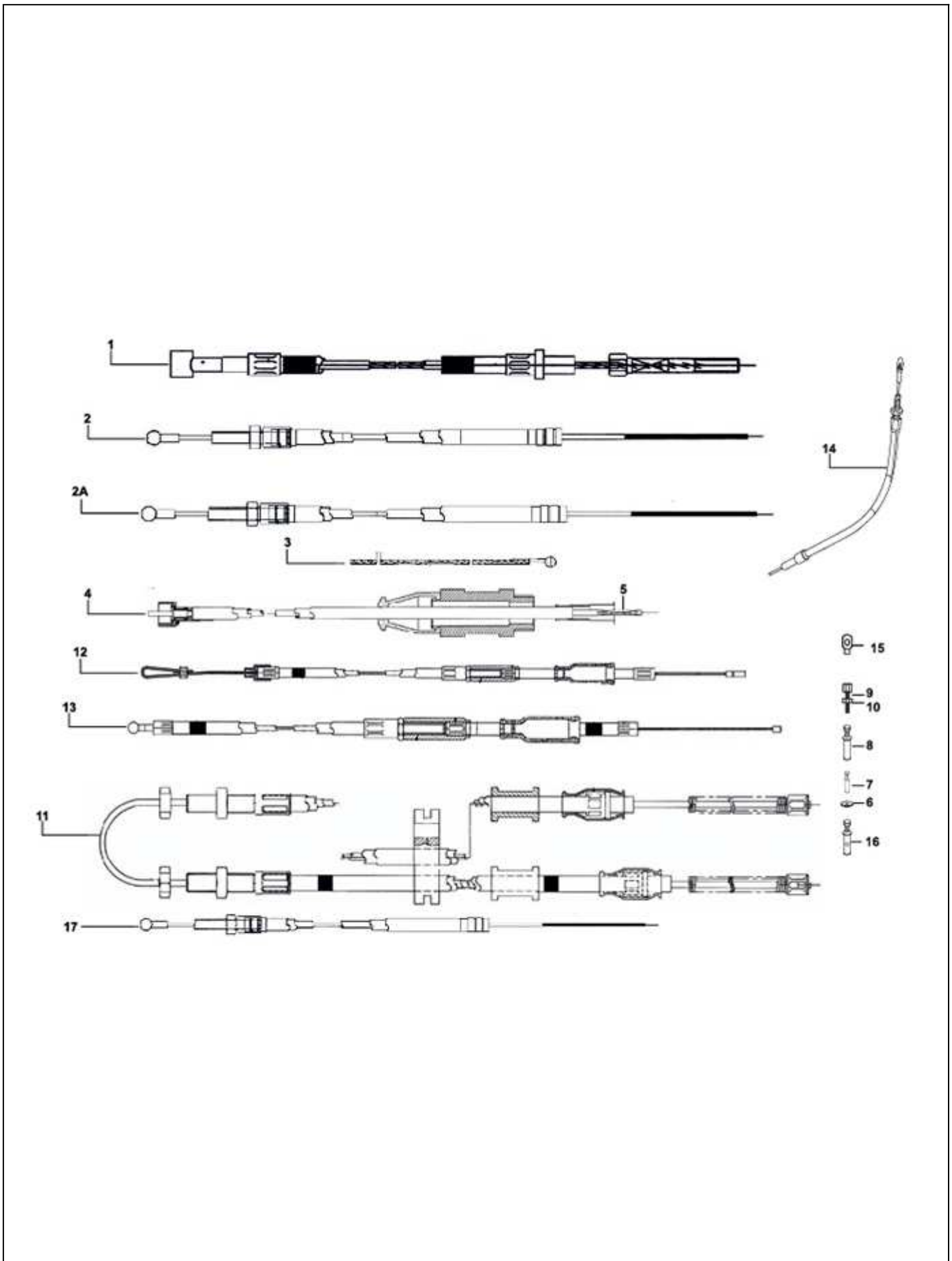


PLATE-34**Cables**

Fig. No.	Part No.	Description	Qty	Remarks
1	B073467R	CLUTCH CONTROL TRANSMISION ASSY.	1	
2	B076707	CABLE, GEAR CONTROL ASSLY (BLACK)	1	
2A	B076708	CABLE,GEAR CONTROL ASSLY NO.2(WHITE)	1	
3	B006982	INNER-GEAR CONTROL	2	
4	645124	SPEEDO CABLE	1	
5	587812	TRANSMISSION CABLE (INNER) FOR ODOMETER	1	
7	B074568	SCREW TERMINAL	1	
8	604560	SCREW TERMINAL ASSY. - GEAR CONTROL	2	
9	197071	ADJUSTER SCREW M6	2	
10	20106	HEX NUT M6	2	
11	B041774	PARKING BRAKE CABLE ASSY	1	
12	B042566	CHOKE CONTROL CABLE ASSY	1	
13	B042356	ACCELERATOR CABLE WITH JONT (NEW)	1	
14	B074850	CABLE, REVERSE GEAR ,GEAR CONTROL ASSLY	1	
15	604781	ROLLER	1	
16	604782	NUT	1	
17	B074850	CABLE, REVERSE GEAR ,GEAR CONTROL ASSLY	1	

PLATE-38
LPG KIT

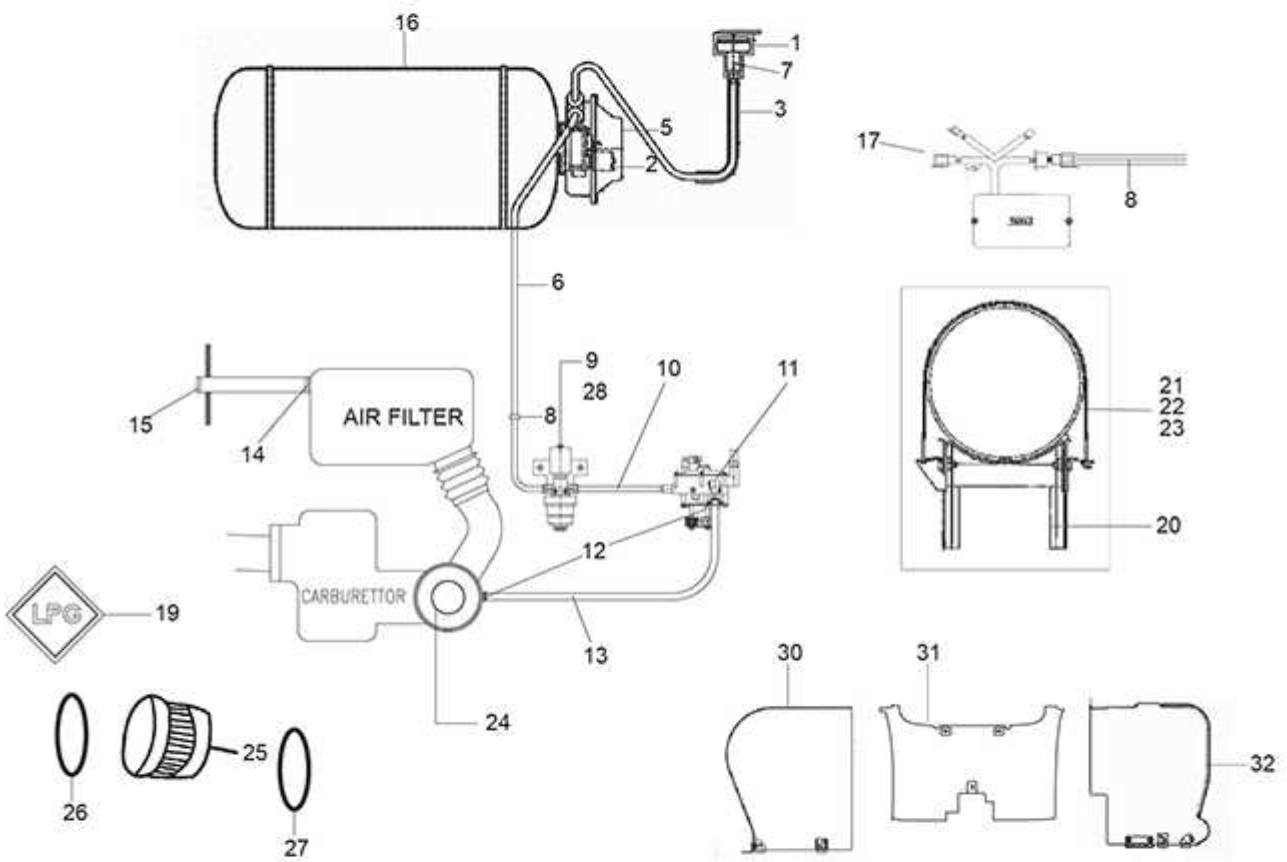


PLATE-38**LPG KIT**

Fig. No.	Part No.	Description	Qty	Remarks
1	B006286	FILLER CONNECTOR WITH CAP	1	
2	B075426	MULTIFUNCTION VALVE VANAZ	1	
3	B041490	GAS VENT SUB ASSEMBLY-2	1	
3A	B073085	LPG FLEX. HOSE ASSY. - FOR REFUELING	1	
4	B073084	SEAL BOX	6	
5	B073084	SEAL BOX	1	
6	B074851	LPG FLEXIBLE HOSE ASSY (MFV TO FSV)	1	
7	B006287	HOUSING ASSEMBLY FOR FILLER CONNECTOR	2	
8	B041773	VENT HOSE ASSY - 2	2	
9	B075636	FILTER SOLENOID VALVE (LPG)	1	
10	B041773	VENT HOSE ASSY - 2	1	
11	B024153	2 STAGE LPG REGULATOR	1	
12	B042199	CLIP	1	
13	B042750	HOSE REGULATOR TO CARBURETTOR	1	
14	942247	RESTRICTOR - 2 FOR LPG	1	
15	940064	COIL ASSEMBLY-LPG(K-0440-03-I-170)	1	
16	B073024	LPG CYLINDER	1	
17	B075861	ECU	1	
18	B075327	GAS KIT W/ HS- LPG- (RH SHIFT) (FOR SNORKEL VEH.)	1	
19	662570	STICKER - LPG	1	
20	B075616	PIPE STRUCTURED CYLINDER MTG ASSLY-LPG	2	
21	B075622	RUBBER STRAP	2	
22	632184	RUBBER STRAP UPPER	2	
23	632185	LOWER STRAPS ASSY.	2	
24	B076437	MIXER ASSLY LPG	1	
25	925737	FILTER ELEMENT(K-0301-12-050)	1	
26	929949	O RING	1	
27	929948	O RING	1	
28	940064	COIL ASSEMBLY-LPG(K-0440-03-I-170)	1	
29	940091	CONTENT GAUGE LPG (ZERO DEGREE)	1	NI
30	B076201	CYLINDER COVER - RH-COMMON CNG/LPG	1	
31	B076200	CYLINDER COVER - CENTRAL-COMMON CNG/LPG	1	
32	B076202	CYLINDER COVER - LPG LH	1	

PLATE-39
Two Stage LPG Regulator

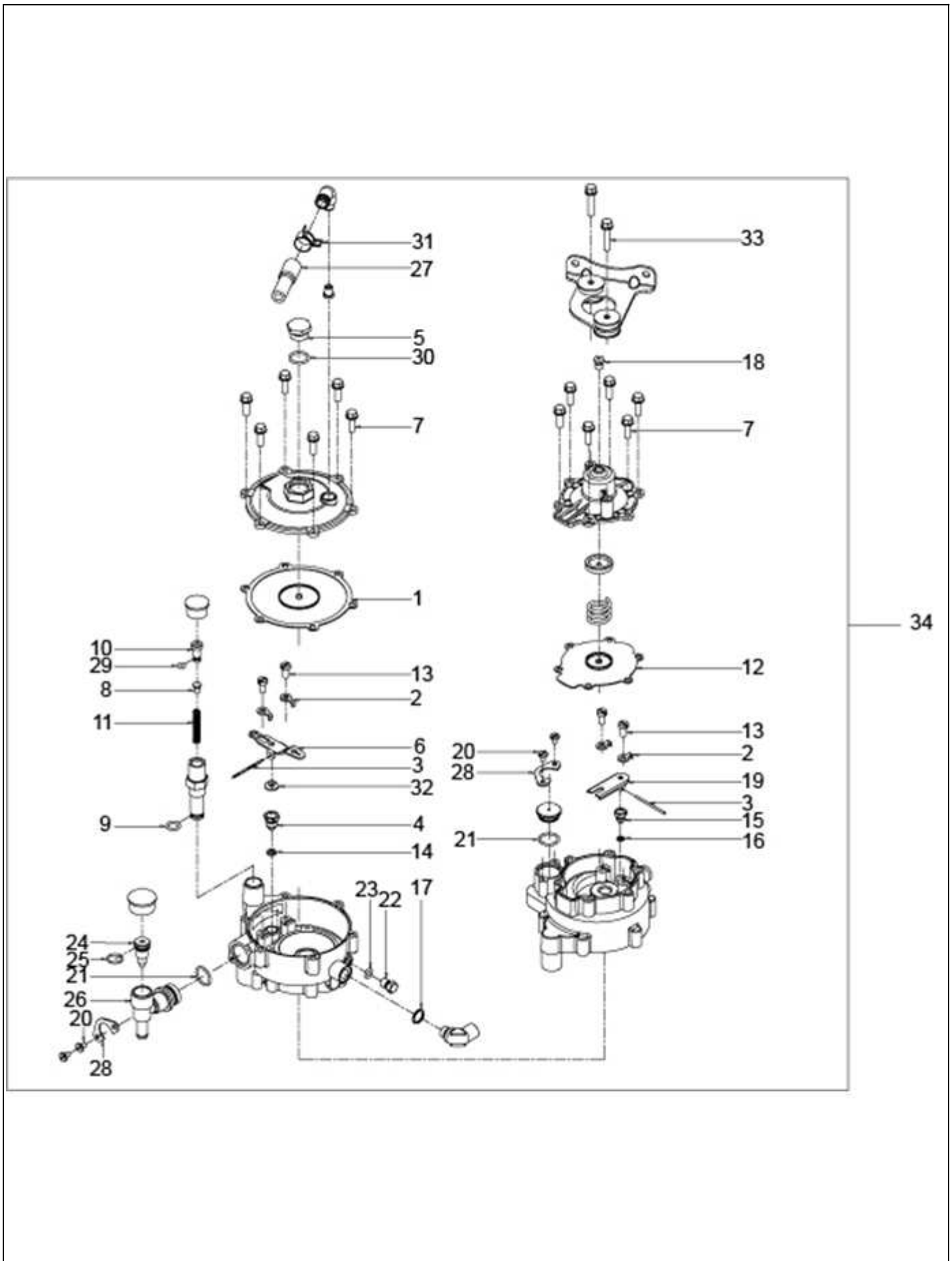


PLATE-39**Two Stage LPG Regulator**

Fig. No.	Part No.	Description	Qty	Remarks
1	932207	DIAPHRAGM SUB ASSY.	1	
2	932208	WASHER	4	
3	932210	LEVER PIN	1	
4	932263	SEAT	1	
5	932229	PLUG	1	
6	932209	LEVER SUB ASSY	1	
7	932232	FLANGE SCREW	12	
8	932212	SPRING GUIDE	1	
9	925781	O RING	1	
10	932226	IDLE SCREW	1	
11	932264	SPRING	1	
12	932215	DIAPHRAGM SUB ASSY.	1	
13	661909	CHEESE HEAD SCREW	4	
14	932214	WASHER	1	
15	932218	SEAT	1	
16	932219	WASHER	1	
17	920008	WASHER	1	
18	932230	BREATHER-I	1	
19	932217	LEVER SUB ASSY.	1	
20	932220	CHEESE HEAD SCREW	1	
21	932221	O RING	1	
22	932222	PLUG	1	
23	925783	O RING	1	
24	932225	FLOW ADJUSTING SCREW	1	
25	929929	O'RING	1	
26	932224	FLOW CONTROL BODY	1	
27	932227	BREATHER HOSE	1	
28	932228	CLAMP	2	
29	932240	O RING	1	
30	932231	O RING	1	
31	932270	CLIP	1	
32	925768	PAD	1	
33	932255	FLANGE SCREW	1	
34	B024153	2 STAGE LPG REGULATOR	1	

PLATE-40
TOOLS AND ACCESSORIES

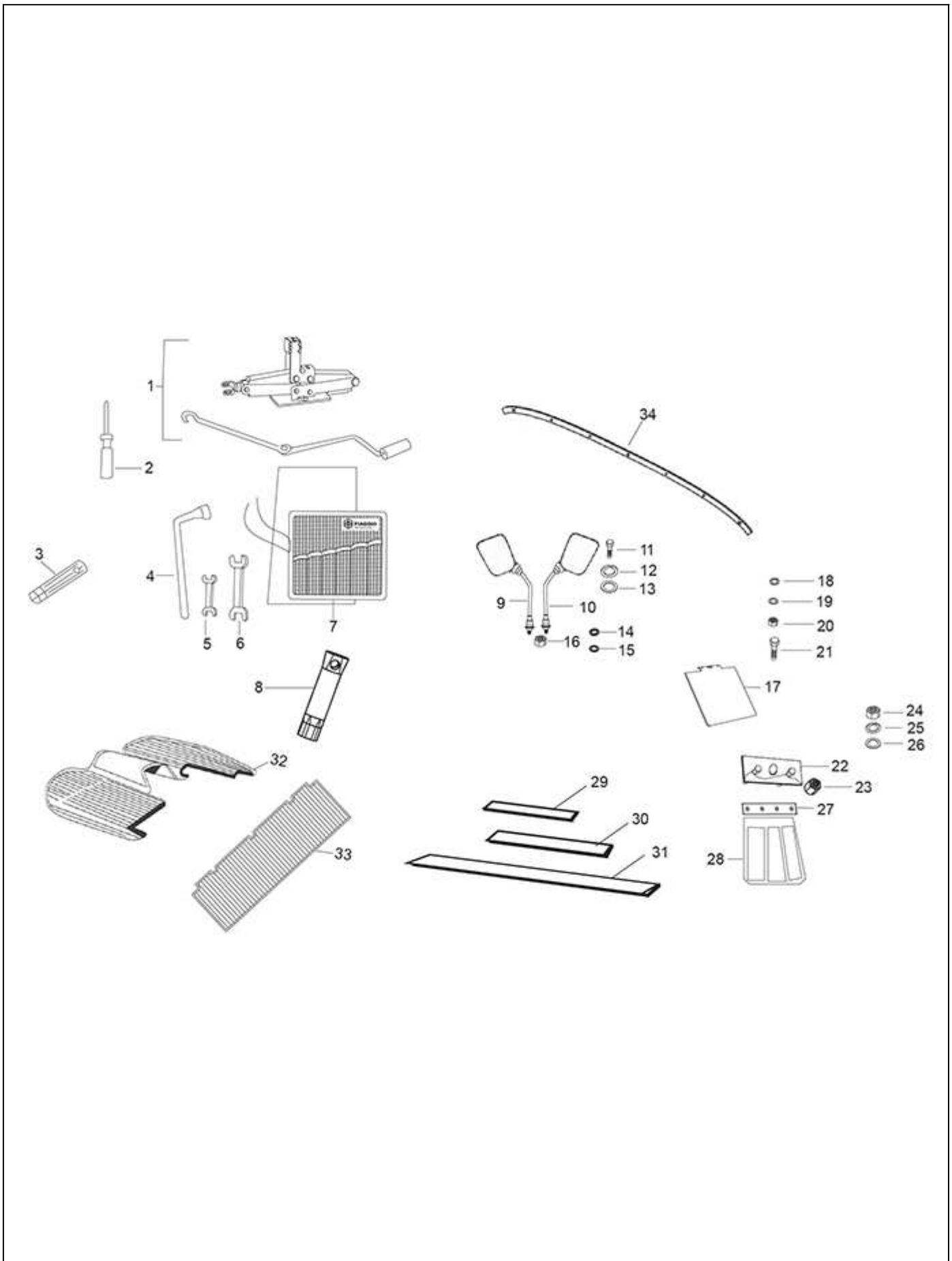


PLATE-40**TOOLS AND ACCESSORIES**

Fig. No.	Part No.	Description	Qty	Remarks
1	B076650R	JACK ASSLY	1	
2	567458	SCREW DRIVER (-)&(+) 80	1	
3	675378	SOCKET WRENCH 16	1	
4	B076142	L TYPE SPANNER - A/F 16	1	
5	567454	DOUBLE END SPANNER 7/8	1	
6	567456	DOUBLE END SPANNER 12/14	1	
7	B041876	TOOL BAG	1	
8	B041787	SPARK PLUG SPANNER	1	
9	B074027	REAR VIEW MIRROR LH	1	
10	B074028	REAR VIEW MIRROR RH	1	
11	31118	SCREW M8X20	2	
12	16408	SPRING WASHER M8	6	
13	3058	PLAIN WASHER 15X8.4X1.5	20	
14	16408	SPRING WASHER M8	4	
15	3058	PLAIN WASHER 15X8.4X1.5	4	
16	20108	HEX NUT M8	4	
17	643661	LICENSE PLATE MTG. BKT.	1	
18	13861	PLAIN WASHER 20X8.2X2.5	2	
19	12540	SPRING WASHER M8	2	
20	20108	HEX NUT M8	2	
21	30072	HEX HEAD BOLT M8 X 35	2	
22	B002208	STRAP WITH PIN SPARE WHEEL MTG.	1	
23	20108	HEX NUT M8	2	
24	20106	HEX NUT M6	12	
25	16406	SPRING WASHER	12	
26	13880	METALIC PLAIN WASHER	12	
27	B001788	CLAMP MUDFLAP REAR	2	
28	B001789	MUDFLAP MUDGAURD REAR	2	
29	B024474	RIM COVERAGE JOINT	2	
30	B074657	BEEDING DOME SIDE PILLAR (LPG/CNG)	1	
30	B074637	BEEDING DOME SIDE PILLAR (PET/DLS)	1	LAM -PTL HS
31	B006792	BEADING (INSULATION ENG. COMP. COVER)	2	
32	B076410	CARPET CABIN FRONT - LPG	1	
32	B074060	FRONT CARPET (PETROL)	1	LAM -PTL HS
33	B041225	CARPET PASSENGER FOOT REST	1	

PLATE-40
TOOLS AND ACCESSORIES

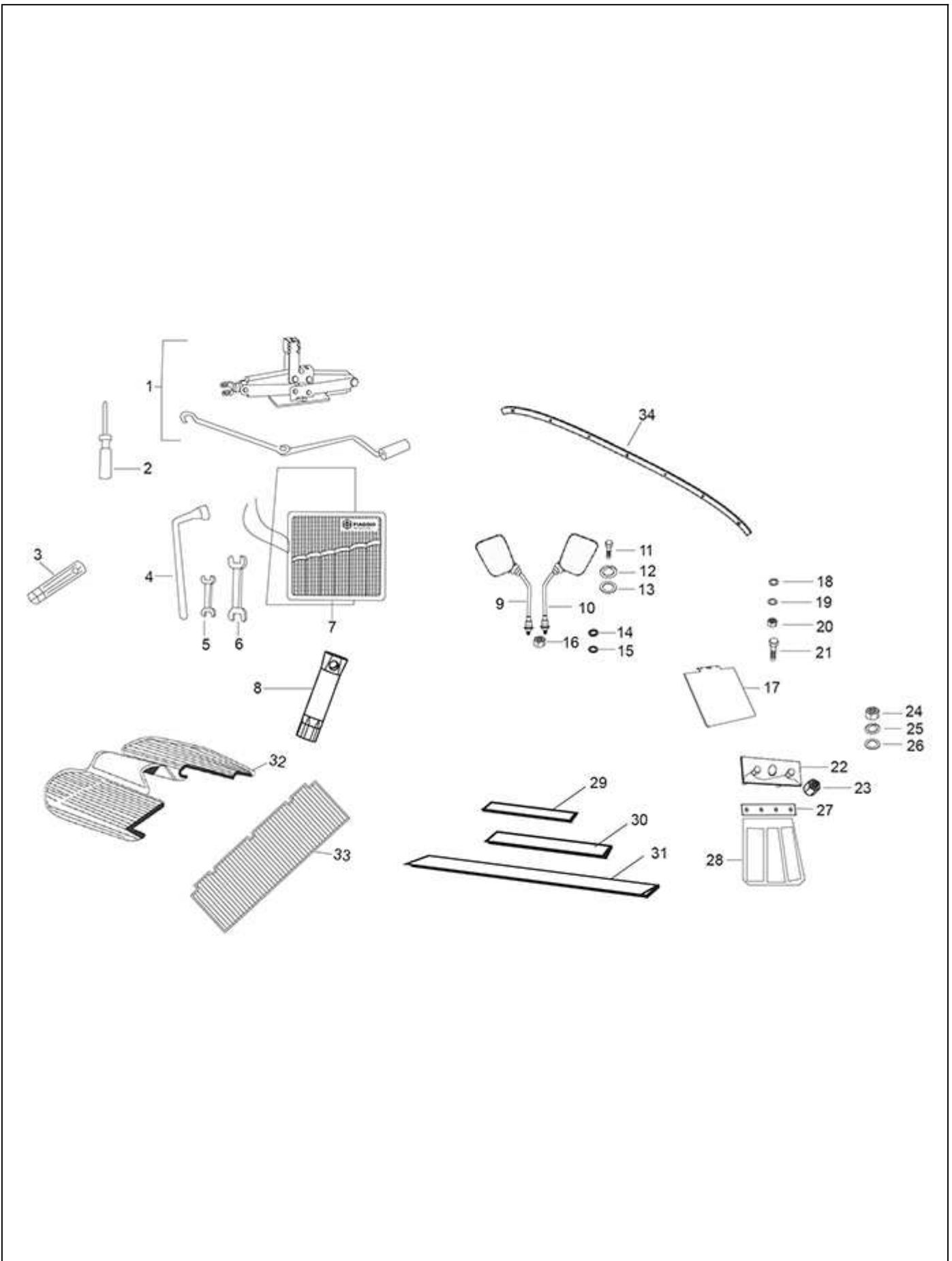


PLATE-40**TOOLS AND ACCESSORIES**

Fig. No.	Part No.	Description	Qty	Remarks
34	B073603	UPPER STRIP CANPOY MTG	1	

PLATE-7.1
AIR FILTER ASSEMBLY AND SNORKEL SYSTEM

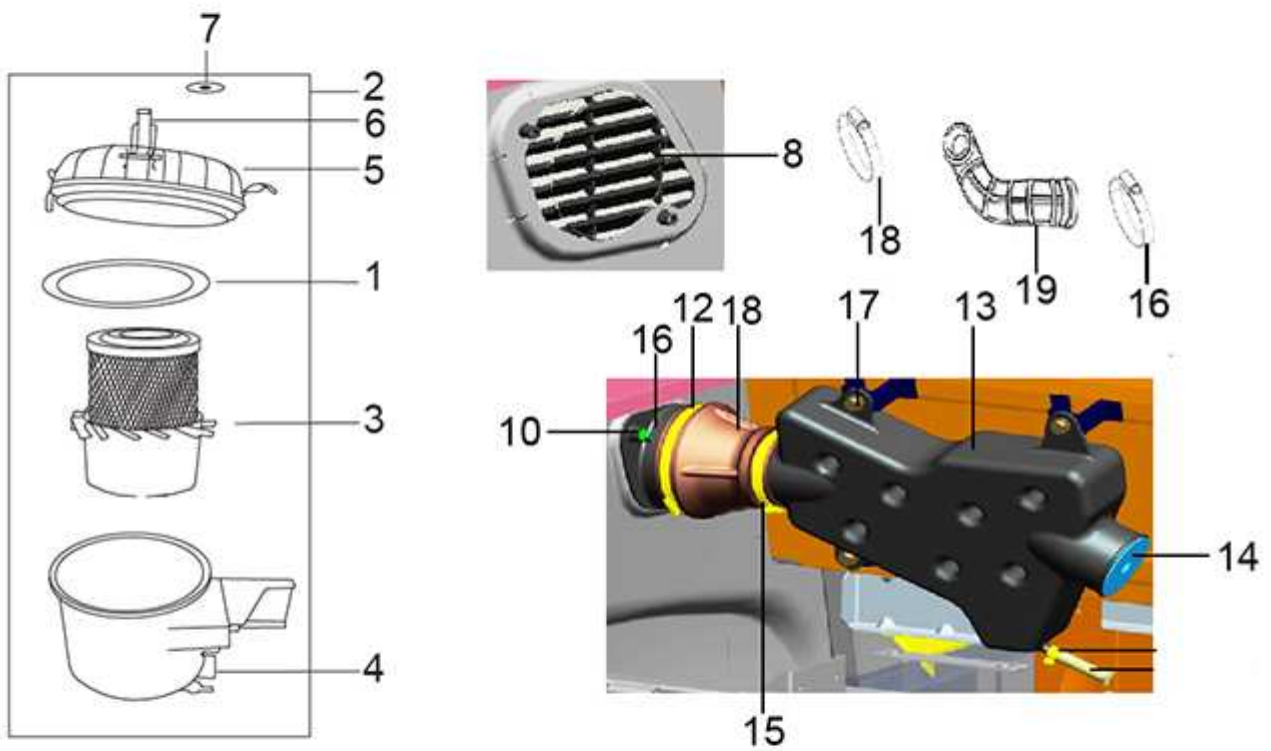


PLATE-7.1**AIR FILTER ASSEMBLY AND SNORKEL SYSTEM**

Fig. No.	Part No.	Description	Qty	Remarks
1	940072	AIR FILTER COVER GASKET	1	
2	B073678	AIR FILTER ASSEMBLY (LPG)	1	
2	B074846	AIR FILTER ASSLY COMPLETE - LPG	1	
2	B075642	AIR FILTER ASSLY.W MTG. BKT. Å??(SNORKEL) ONLY FOR LAM VEHICLE	1	LAM -PTL HS
2	B073441	AIR FILTER ASSLY.(CLAMP TYPE)	1	LAM -PTL HS
3	B076112	AIR FILTER ELEMENT	1	
4	B041090	RETRACTOR FOR AIR FILTER-SNORKEL LPG	1	
5	940069	AIR FILTER COVER-(UG)	1	
6	920088	CLAMP	3	
7	940071	DUST VALVE	1	
8	B074971	INTAKE GRILL FOR SNORKEL SYSTEM	1	
9	B074970	ADAPTER FOR SNORKEL AIR INTAKE	1	
10	D9004159230	SCREW, W / WASHER	2	
11	1A006592	AIR CLEANER/VEHICLE MANIFOLD	1	
12	1A007153	HOSE CLAMP	1	
13	1A006593	PIPE COOL AIR INTAKE	1	
14	1A007634	DAMPING RING	1	
14	1A008009	DAMPING RING	1	LAM -PTL HS
15	1A007152	HOSE CLAMP	1	
16	604553	WORM CLIP	1	
17	645037	HEX HEAD SCREW M8 X 22 CL 8.8	3	
18	1A007152	HOSE CLAMP	1	
19	1A006594	AIR CLEANER/VEHICLE MANIFOLD	1	

PLATE-9.1
GEAR SHIFTER AND CONTROL MECHANISM

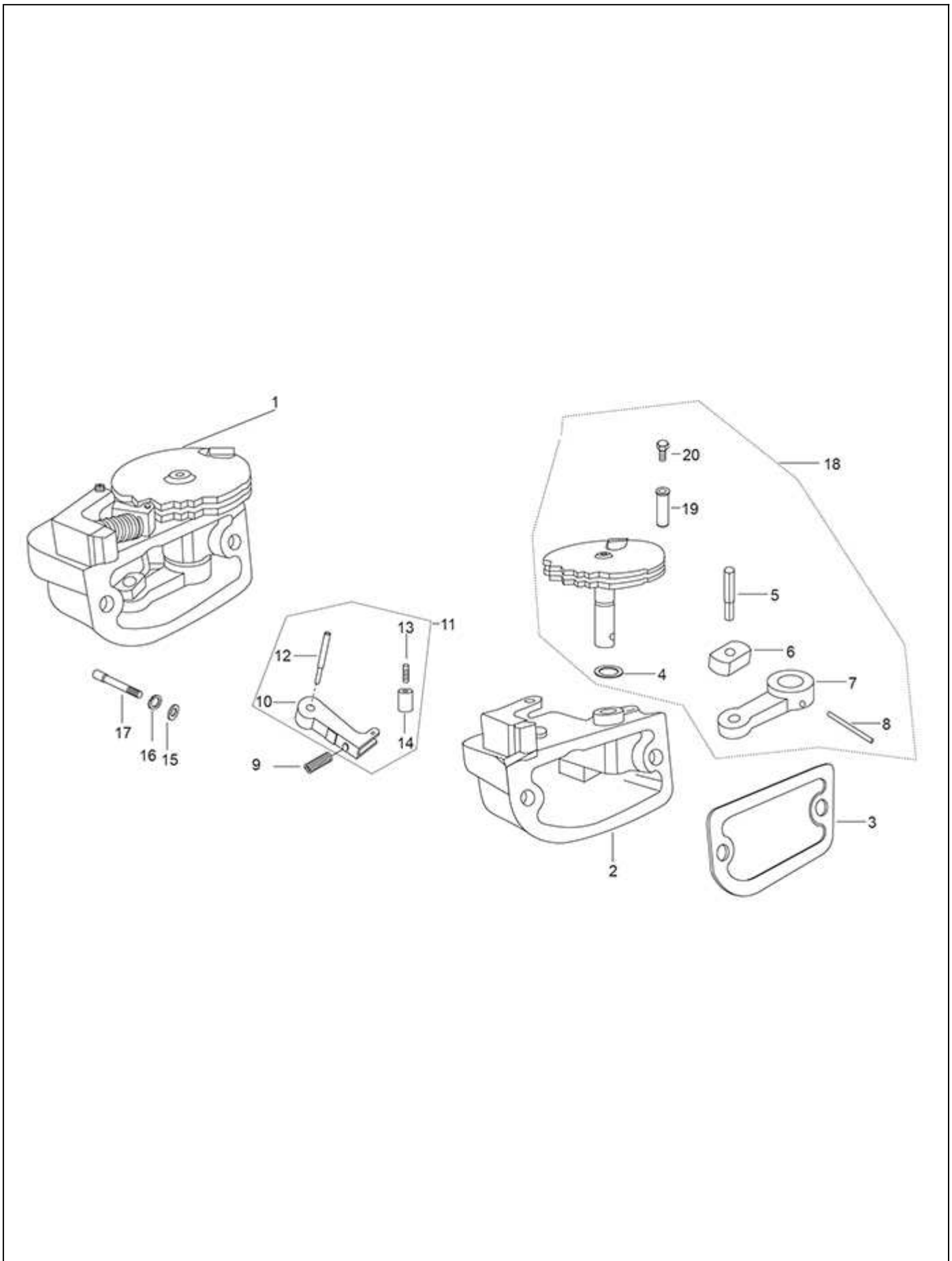


PLATE-9.1**GEAR SHIFTER AND CONTROL MECHANISM**

Fig. No.	Part No.	Description	Qty	Remarks
1	SP1A006196	COMPLETE GEAR SELECTOR BOX	1	
2	B042758	GEAR SHIFTER HOUSING (NEW)	1	
3	128081017	GASKET HOUSING GEAR SHIFTER HOUSING	1	
4	1A005178	O- RING	1	
5	126022017	PIN FOR SLIDER BLOCK	1	
6	126021013	SLIDER BLOCK	1	
7	526023017	GEAR SHIFTER LEVER	1	
8	17702	SPRING PIN	1	
9	126003011	SPRING GEAR SHIFTER ASSY.	1	
10	126060019	BRACKET ASSY.	1	
11	126050014	BKT. WITH ROLLER ASSY. CONSISTING OF SR.N.11,13-15	1	
12	126054010	SCREW FOR BRACKET	1	
13	126053016	PIN FOR ROLLER	1	
14	126052012	ROLLER	1	
15	3056	PLAIN WASHER	2	
16	16406	SPRING WASHER	2	
17	819064530	SOCKET HEAD CAP SCREW M6X45	2	
18	SP1A003853	SECTOR AND LEVER ASSLY APE PAX - SPD	1	
19	604560	SCREW TERMINAL ASSY. - GEAR CONTROL	1	

PARTS INDEX

APECITY_DLXBS3_HS_PL_CAM-LAM

PART NO	BLOCK	PART NO	BLOCK	PART NO	BLOCK
-	PLATE-17	125411	PLATE-27	150579	PLATE-25
-	PLATE-29	12546	PLATE-28	150915R	PLATE-28
000267	PLATE-11	126003011	PLATE-9.1	15335	PLATE-19
021118	PLATE-24	126021013	PLATE-9.1	15478	PLATE-19
107718	PLATE-25	126022017	PLATE-9.1	15594	PLATE-24
107827	PLATE-24	126050014	PLATE-9.1	15618	PLATE-26
107871	PLATE-25	126052012	PLATE-9.1	157103	PLATE-24
108785	PLATE-27	126053016	PLATE-9.1	157103	PLATE-24
108834	PLATE-19	126054010	PLATE-9.1	157716	PLATE-29
108873	PLATE-25	126060019	PLATE-9.1	15900	PLATE-29
108874	PLATE-25	126902	PLATE-26	15996	PLATE-17
109064	PLATE-25	127012019	PLATE-2	15996	PLATE-28
109066	PLATE-25	127013013	PLATE-2	16195	PLATE-10
109117	PLATE-25	127016015	PLATE-6	16319	PLATE-26
109227	PLATE-26	127111011	PLATE-17	16405	PLATE-21
109265	PLATE-25	127185012	PLATE-2	16405	PLATE-28
109404	PLATE-26	127451	PLATE-26	16405	PLATE-30
109635	PLATE-26	127460010	PLATE-2	16406	PLATE-9.1
109775	PLATE-26	127530011	PLATE-3	16406	PLATE-10
109892	PLATE-24	127692015	PLATE-3	16406	PLATE-17
111353	PLATE-6	127693019	PLATE-3	16406	PLATE-18
111356	PLATE-17	127754019	PLATE-3	16406	PLATE-19
111498	PLATE-17	127757011	PLATE-3	16406	PLATE-26
112867R	PLATE-17	127758015	PLATE-3	16406	PLATE-27
112898	PLATE-6	12790	PLATE-24	16406	PLATE-28
113278	PLATE-17	128081017	PLATE-9.1	16406	PLATE-28
116831	PLATE-30	128307019	PLATE-17	16406	PLATE-28
117401	PLATE-9	128633	PLATE-24	16406	PLATE-29
117402	PLATE-9	132129	PLATE-5	16406	PLATE-30
117404	PLATE-9	132134	PLATE-5	16406	PLATE-30
117404	PLATE-17	132244	PLATE-5	16406	PLATE-31
118806	PLATE-26	136434	PLATE-25	16406	PLATE-40
120164019	PLATE-2	136916	PLATE-27	16408	PLATE-10
120170018	PLATE-2	137235	PLATE-25	16408	PLATE-19
120212012	PLATE-9	138237	PLATE-27	16408	PLATE-19
12136	PLATE-28	13861	PLATE-22	16408	PLATE-19
12138	PLATE-26	13861	PLATE-22	16408	PLATE-21
122032014	PLATE-16	13861	PLATE-40	16408	PLATE-22
125181	PLATE-26	13880	PLATE-27	16408	PLATE-22
125289	PLATE-25	13880	PLATE-29	16408	PLATE-24
12536	PLATE-32	13880	PLATE-30	16408	PLATE-27
12536	PLATE-33	13880	PLATE-30	16408	PLATE-27
12540	PLATE-40	13880	PLATE-40	16408	PLATE-30

PART NO	BLOCK	PART NO	BLOCK	PART NO	BLOCK
16408	PLATE-40	1A002661	PLATE-15	1A007850	PLATE-16
16408	PLATE-40	1A002685	PLATE-9	1A008009	PLATE-7.1
16410	PLATE-17	1A002691	PLATE-10	1A008397	PLATE-13
16410	PLATE-19	1A002691	PLATE-12	1A008613	PLATE-11
16410	PLATE-19	1A003268	PLATE-7	1A008669R	PLATE-5
16410	PLATE-24	1A003603R	PLATE-16	1A009586	PLATE-15
16410	PLATE-24	1A003604R	PLATE-16	1A009587	PLATE-15
16410	PLATE-25	1A003605R	PLATE-16	1A009588	PLATE-15
16410	PLATE-25	1A003606R	PLATE-16	1A009589	PLATE-15
16410	PLATE-26	1A003607R	PLATE-16	1A009590	PLATE-15
164906	PLATE-26	1A004221	PLATE-8	1A009591	PLATE-15
165121014	PLATE-9	1A004222	PLATE-8	1A009592	PLATE-15
165155R	PLATE-5	1A004223	PLATE-8	1A009593	PLATE-15
16620	PLATE-26	1A004224	PLATE-8	1A009621R	PLATE-14
16626	PLATE-26	1A004225	PLATE-8	1A009762	PLATE-9
16670	PLATE-21	1A004644	PLATE-3	1A009762	PLATE-9
16670	PLATE-30	1A004807	PLATE-5	1A010696R	PLATE-15
17702	PLATE-9.1	1A004857	PLATE-7	1A011246	PLATE-9
17702	PLATE-6	1A004875	PLATE-13	1A011500	PLATE-9
178610	PLATE-19	1A005024	PLATE-10	1A011547R	PLATE-3
180431	PLATE-25	1A005170	PLATE-4	1A012925	PLATE-10
183511	PLATE-17	1A005176	PLATE-6	1A013013	PLATE-13
18630	PLATE-21	1A005178	PLATE-9.1	1A013034	PLATE-6
18639	PLATE-12	1A005202	PLATE-2	1D000425R	PLATE-15
18639	PLATE-15	1A005204	PLATE-2	1D000510	PLATE-28
18639	PLATE-7	1A005414R	PLATE-3	1D000671R	PLATE-28
197071	PLATE-34	1A006002	PLATE-11	1D001138	PLATE-9
198618	PLATE-17	1A006004	PLATE-3	1D001418	PLATE-28
1A000024	PLATE-12	1A006005	PLATE-3	1D001894	PLATE-31
1A000236	PLATE-17	1A006104	PLATE-2	20104	PLATE-21
1A000402	PLATE-15	1A006592	PLATE-7.1	20104	PLATE-22
1A000404	PLATE-11	1A006593	PLATE-7.1	20104	PLATE-27
1A000542	PLATE-8	1A006594	PLATE-7.1	20105	PLATE-21
1A000708	PLATE-9	1A006634	PLATE-3	20105	PLATE-28
1A000831	PLATE-12	1A007152	PLATE-7.1	20105	PLATE-28
1A001114R	PLATE-13	1A007152	PLATE-7.1	20105	PLATE-28
1A001187R	PLATE-15	1A007153	PLATE-7.1	20106	PLATE-18
1A001283	PLATE-9	1A007179	PLATE-3	20106	PLATE-27
1A001455	PLATE-3	1A007618	PLATE-17	20106	PLATE-28
1A001794	PLATE-9	1A007618	PLATE-6	20106	PLATE-28
1A001795	PLATE-9	1A007634	PLATE-7.1	20106	PLATE-29
1A001905R	PLATE-4	1A007663R	PLATE-9	20106	PLATE-29
1A002358	PLATE-13	1A007664R	PLATE-9	20106	PLATE-29

PART NO	BLOCK	PART NO	BLOCK	PART NO	BLOCK
20106	PLATE-30	243303R	PLATE-24	3058	PLATE-22
20106	PLATE-30	265091	PLATE-19	3058	PLATE-22
20106	PLATE-34	267065	PLATE-19	3058	PLATE-22
20106	PLATE-40	267065	PLATE-24	3058	PLATE-27
20108	PLATE-19	267068	PLATE-19	3058	PLATE-30
20108	PLATE-19	267068	PLATE-24	3058	PLATE-30
20108	PLATE-19	269755	PLATE-10	3058	PLATE-30
20108	PLATE-22	272178	PLATE-19	3058	PLATE-40
20108	PLATE-22	285536	PLATE-9	3058	PLATE-40
20108	PLATE-22	286328	PLATE-19	3068	PLATE-24
20108	PLATE-27	286328	PLATE-19	31057	PLATE-28
20108	PLATE-27	286328	PLATE-19	31058	PLATE-28
20108	PLATE-30	286328	PLATE-24	31058	PLATE-28
20108	PLATE-30	286406	PLATE-3	31088	PLATE-27
20108	PLATE-30	288730	PLATE-5	31088	PLATE-28
20108	PLATE-40	30072	PLATE-30	31088	PLATE-28
20108	PLATE-40	30072	PLATE-40	31088	PLATE-28
20108	PLATE-40	30074	PLATE-10	31088	PLATE-30
20110	PLATE-19	30104	PLATE-26	31088	PLATE-30
20110	PLATE-24	30104	PLATE-26	31088	PLATE-30
20110	PLATE-24	30209R	PLATE-25	31088	PLATE-31
20110	PLATE-25	30242	PLATE-21	31089	PLATE-10
20359	PLATE-24	3054	PLATE-17	31089	PLATE-26
21110	PLATE-25	3054	PLATE-18	31089	PLATE-29
21110	PLATE-26	3054	PLATE-22	31092	PLATE-17
21216	PLATE-27	3054	PLATE-28	31116	PLATE-22
216369	PLATE-18	3055	PLATE-21	31116	PLATE-30
220575	PLATE-5	3055	PLATE-26	31118	PLATE-22
226596	PLATE-24	3055	PLATE-27	31118	PLATE-22
226661	PLATE-24	3055	PLATE-28	31118	PLATE-40
226662	PLATE-24	3055	PLATE-28	31119	PLATE-19
229524	PLATE-27	3055	PLATE-28	31119	PLATE-30
231370	PLATE-17	3055	PLATE-29	31154	PLATE-19
231370	PLATE-19	3055	PLATE-30	414837	PLATE-9
231370	PLATE-19	3056	PLATE-9.1	432142	PLATE-9
231370	PLATE-24	3056	PLATE-10	433122	PLATE-10
231370	PLATE-24	3056	PLATE-18	434541	PLATE-14
231370	PLATE-24	3056	PLATE-28	434716	PLATE-10
237246	PLATE-24	3056	PLATE-28	435571	PLATE-14
2383	PLATE-19	3056	PLATE-29	436783	PLATE-11
2383	PLATE-19	3056	PLATE-29	436947	PLATE-10
2383	PLATE-22	3056	PLATE-30	479986	PLATE-2
2383	PLATE-30	3056	PLATE-31	48197	PLATE-27

PART NO	BLOCK	PART NO	BLOCK	PART NO	BLOCK
482335	PLATE-14	587624R	PLATE-27	643367	PLATE-10
484034	PLATE-9	587671R	PLATE-28	643661	PLATE-40
485655	PLATE-9	587812	PLATE-34	643691	PLATE-23
485703	PLATE-10	587902	PLATE-26	643692	PLATE-27
485868	PLATE-13	5969	PLATE-27	643741	PLATE-24
523012017	PLATE-16	604535	PLATE-24	643772R	PLATE-25
526023017	PLATE-9.1	604553	PLATE-7.1	644299	PLATE-18
566545	PLATE-25	604557	PLATE-28	644814	PLATE-27
567454	PLATE-40	604560	PLATE-9.1	645037	PLATE-7.1
567456	PLATE-40	604560	PLATE-34	6450	PLATE-17
567458	PLATE-40	604603	PLATE-30	645124	PLATE-34
567461	PLATE-27	604717	PLATE-27	652001	PLATE-27
567473	PLATE-25	604756	PLATE-22	658810	PLATE-29
567498R	PLATE-17	604756	PLATE-7	660168	PLATE-22
567498R	PLATE-28	604758	PLATE-25	660168	PLATE-23
567581	PLATE-28	604758	PLATE-25	660168	PLATE-29
567593	PLATE-29	604759	PLATE-25	661229	PLATE-27
567690	PLATE-27	604781	PLATE-34	661266	PLATE-24
567700	PLATE-28	604782	PLATE-34	661267	PLATE-24
567706	PLATE-28	604910	PLATE-27	661282	PLATE-24
567747	PLATE-28	604948	PLATE-19	661522	PLATE-30
567899	PLATE-27	604954	PLATE-22	661909	PLATE-39
567920	PLATE-27	604972	PLATE-22	661925	PLATE-18
567920	PLATE-27	60565	PLATE-26	662422	PLATE-25
567990	PLATE-25	6066	PLATE-24	662423	PLATE-25
567991	PLATE-25	6066	PLATE-25	662570	PLATE-38
567992	PLATE-25	6078	PLATE-23	6650	PLATE-24
567993	PLATE-25	6078	PLATE-28	6733	PLATE-25
568095	PLATE-25	6078	PLATE-28	675378	PLATE-40
568140	PLATE-19	616649	PLATE-22	680070	PLATE-11
568671	PLATE-23	6173	PLATE-27	680075	PLATE-11
568692	PLATE-21	632056	PLATE-27	680166	PLATE-28
568692	PLATE-28	632056	PLATE-30	680166	PLATE-28
568713	PLATE-21	632158	PLATE-26	6965	PLATE-28
568721	PLATE-28	632184	PLATE-38	6965	PLATE-28
568737	PLATE-27	632185	PLATE-38	71633	PLATE-28
568737	PLATE-30	632247	PLATE-19	74414	PLATE-25
569165	PLATE-28	632299	PLATE-19	74521	PLATE-25
569197	PLATE-28	632508	PLATE-22	75708	PLATE-25
569244	PLATE-19	63440	PLATE-32	78307	PLATE-29
569375	PLATE-19	6411	PLATE-27	808000826	PLATE-21
58295R	PLATE-11	642537	PLATE-9	8080	PLATE-23
587617	PLATE-24	643149	PLATE-9	8080	PLATE-29

PART NO	BLOCK	PART NO	BLOCK	PART NO	BLOCK
812061656	PLATE-27	932209	PLATE-39	942247	PLATE-38
819064530	PLATE-9.1	932210	PLATE-39	963486	PLATE-14
819064530	PLATE-9	932212	PLATE-39	B001225	PLATE-33
822051647	PLATE-6	932214	PLATE-39	B001228	PLATE-33
82948R	PLATE-4	932215	PLATE-39	B001273	PLATE-30
829593	PLATE-4	932217	PLATE-39	B001301	PLATE-25
829593	PLATE-4	932218	PLATE-39	B001302	PLATE-25
829661	PLATE-9	932219	PLATE-39	B001315	PLATE-30
830061	PLATE-4	932220	PLATE-39	B001315	PLATE-30
83040R	PLATE-13	932221	PLATE-39	B001316	PLATE-24
83041R	PLATE-13	932222	PLATE-39	B001317	PLATE-24
83054R	PLATE-10	932224	PLATE-39	B001317	PLATE-30
83065R	PLATE-9	932225	PLATE-39	B001319	PLATE-24
841005506	PLATE-6	932226	PLATE-39	B001323	PLATE-25
842001600	PLATE-2	932227	PLATE-39	B001386	PLATE-21
842003000	PLATE-17	932228	PLATE-39	B001402	PLATE-30
842004808	PLATE-16	932229	PLATE-39	B001423	PLATE-30
843000500	PLATE-6	932230	PLATE-39	B001635ED	PLATE-30
843000809	PLATE-2	932231	PLATE-39	B001788	PLATE-40
843307	PLATE-10	932232	PLATE-39	B001789	PLATE-40
8451	PLATE-28	932240	PLATE-39	B002208	PLATE-40
847928	PLATE-14	932255	PLATE-39	B002344	PLATE-24
87067	PLATE-25	932263	PLATE-39	B002486	PLATE-24
8771	PLATE-25	932264	PLATE-39	B002486	PLATE-33
880255211	PLATE-17	932270	PLATE-39	B003002	PLATE-32
880255211R	PLATE-9	932290	PLATE-28	B003002	PLATE-33
880305509R	PLATE-6	932291	PLATE-28	B003003	PLATE-32
884222808	PLATE-9	932292	PLATE-28	B003003	PLATE-33
920008	PLATE-39	932319	PLATE-8	B003004	PLATE-32
920088	PLATE-7.1	932320	PLATE-8	B003004	PLATE-33
925574	PLATE-33	932321	PLATE-8	B003008	PLATE-32
925581	PLATE-29	932322	PLATE-8	B003011	PLATE-33
925584	PLATE-28	940028	PLATE-5	B003012	PLATE-33
925737	PLATE-38	940064	PLATE-38	B003014	PLATE-33
925768	PLATE-39	940064	PLATE-38	B003017	PLATE-32
925781	PLATE-39	940065	PLATE-25	B003030	PLATE-30
925783	PLATE-39	940066	PLATE-25	B003110R	PLATE-31
925786	PLATE-28	940067	PLATE-27	B003116	PLATE-18
929929	PLATE-39	940068	PLATE-27	B003228	PLATE-27
929948	PLATE-38	940069	PLATE-7.1	B003282	PLATE-18
929949	PLATE-38	940071	PLATE-7.1	B003286	PLATE-19
932207	PLATE-39	940072	PLATE-7.1	B003300	PLATE-32
932208	PLATE-39	940091	PLATE-38	B003300	PLATE-33

PART NO	BLOCK	PART NO	BLOCK	PART NO	BLOCK
B003324	PLATE-32	B015941	PLATE-9	B018023	PLATE-12
B003325	PLATE-32	B015942	PLATE-15	B018025	PLATE-12
B003327	PLATE-33	B015943	PLATE-4	B018356	PLATE-13
B003328	PLATE-33	B016016	PLATE-7	B018442	PLATE-7
B003330	PLATE-33	B016120	PLATE-15	B018471	PLATE-16
B003331	PLATE-33	B016144	PLATE-11	B018472	PLATE-16
B003371	PLATE-19	B016147	PLATE-15	B018473	PLATE-16
B003422	PLATE-30	B016148	PLATE-15	B018533	PLATE-10
B003654	PLATE-30	B016160	PLATE-3	B018673	PLATE-6
B003855	PLATE-19	B016160	PLATE-4	B018678	PLATE-3
B003924	PLATE-16	B016192	PLATE-12	B018718	PLATE-9
B003978	PLATE-22	B016205	PLATE-16	B018718	PLATE-13
B006286	PLATE-38	B016206	PLATE-16	B018775	PLATE-7
B006287	PLATE-38	B016368	PLATE-10	B018853	PLATE-2
B006472	PLATE-30	B016472	PLATE-2	B018853	PLATE-15
B006509	PLATE-32	B016620	PLATE-12	B018854	PLATE-14
B006544	PLATE-22	B016774	PLATE-13	B018946	PLATE-13
B006593	PLATE-30	B016822	PLATE-8	B018990	PLATE-17
B006792	PLATE-40	B016823	PLATE-8	B018991	PLATE-17
B006982	PLATE-34	B016824	PLATE-8	B019214	PLATE-6
B008893	PLATE-19	B016825	PLATE-8	B019219	PLATE-9
B008898	PLATE-19	B016827	PLATE-8	B019220	PLATE-2
B008921	PLATE-19	B016828	PLATE-8	B019246	PLATE-9
B014555	PLATE-14	B016829	PLATE-8	B019317	PLATE-14
B014684	PLATE-10	B016834	PLATE-8	B019350	PLATE-10
B014705	PLATE-10	B016869	PLATE-8	B019425	PLATE-15
B014706	PLATE-10	B016939	PLATE-14	B023727R	PLATE-28
B014732	PLATE-10	B017042	PLATE-4	B023727R	PLATE-28
B014755	PLATE-9	B017113	PLATE-13	B023786	PLATE-27
B014760	PLATE-13	B017165	PLATE-14	B023890	PLATE-3
B014997	PLATE-13	B017177	PLATE-16	B023940	PLATE-17
B015017	PLATE-13	B017178	PLATE-9	B023976	PLATE-23
B015026	PLATE-4	B017189	PLATE-15	B024056	PLATE-28
B015288	PLATE-10	B017230	PLATE-10	B024113	PLATE-25
B015483	PLATE-13	B017323	PLATE-13	B024113	PLATE-32
B015591	PLATE-9	B017336	PLATE-10	B024153	PLATE-38
B015592	PLATE-9	B017377	PLATE-12	B024153	PLATE-39
B015598	PLATE-9	B017431	PLATE-13	B024168	PLATE-18
B015816	PLATE-17	B017438	PLATE-10	B024169	PLATE-23
B015817	PLATE-17	B017443	PLATE-7	B024374	PLATE-24
B015862	PLATE-3	B017456	PLATE-10	B024474	PLATE-22
B015888	PLATE-15	B017542	PLATE-8	B024474	PLATE-40
B015931	PLATE-12	B017746	PLATE-13	B024512	PLATE-30

PART NO	BLOCK	PART NO	BLOCK	PART NO	BLOCK
B024516	PLATE-30	B073085	PLATE-38	B073882EG	PLATE-29
B024532	PLATE-28	B073441	PLATE-7.1	B073882GY	PLATE-29
B024614	PLATE-17	B073467R	PLATE-34	B073882NB	PLATE-29
B024641	PLATE-28	B073478	PLATE-23	B073882WR	PLATE-29
B024642	PLATE-28	B073479	PLATE-23	B073953	PLATE-29
B024643	PLATE-28	B073481	PLATE-23	B073969	PLATE-29
B024683	PLATE-23	B073492	PLATE-28	B073970	PLATE-29
B025672CED	PLATE-30	B073538	PLATE-27	B073978	PLATE-31
B041054	PLATE-30	B073598	PLATE-30	B073979	PLATE-31
B041090	PLATE-7.1	B073600	PLATE-28	B074024	PLATE-27
B041090	PLATE-7	B073601	PLATE-21	B074027	PLATE-40
B041181	PLATE-25	B073602ED	PLATE-21	B074028	PLATE-40
B041225	PLATE-40	B073603	PLATE-40	B074033	PLATE-29
B041392	PLATE-22	B073626	PLATE-21	B074037	PLATE-23
B041397	PLATE-30	B073667SP	PLATE-25	B074040	PLATE-26
B041398	PLATE-30	B073678	PLATE-7.1	B074060	PLATE-40
B041490	PLATE-38	B073682	PLATE-28	B074063	PLATE-29
B041773	PLATE-38	B073685	PLATE-28	B074170	PLATE-29
B041773	PLATE-38	B073690	PLATE-25	B074171	PLATE-29
B041774	PLATE-27	B073715	PLATE-28	B074216	PLATE-23
B041774	PLATE-34	B073788	PLATE-27	B074262	PLATE-23
B041787	PLATE-40	B073800	PLATE-26	B074275	PLATE-23
B041798	PLATE-18	B073800	PLATE-27	B074433	PLATE-29
B041852	PLATE-18	B073809	PLATE-23	B074434	PLATE-29
B041853	PLATE-18	B073810	PLATE-23	B074435	PLATE-22
B041876	PLATE-40	B073811	PLATE-23	B074491	PLATE-28
B042063	PLATE-31	B073812	PLATE-23	B074498	PLATE-26
B042199	PLATE-38	B073814	PLATE-23	B074539	PLATE-28
B042317	PLATE-27	B073815	PLATE-23	B074539	PLATE-29
B042352ED	PLATE-30	B073816	PLATE-23	B074568	PLATE-34
B042356	PLATE-34	B073817	PLATE-26	B074588P	PLATE-30
B042391	PLATE-18	B073821	PLATE-28	B074588R	PLATE-24
B042438	PLATE-25	B073848	PLATE-26	B074590P	PLATE-30
B042486	PLATE-9	B073849	PLATE-26	B074590R	PLATE-24
B042486	PLATE-6	B073850	PLATE-26	B074593	PLATE-18
B042566	PLATE-34	B073852	PLATE-30	B074594	PLATE-30
B042693	PLATE-27	B073853	PLATE-30	B074637	PLATE-40
B042750	PLATE-38	B073872	PLATE-29	B074640	PLATE-30
B042758	PLATE-9.1	B073875	PLATE-29	B074641	PLATE-30
B042794	PLATE-27	B073875SL	PLATE-29	B074657	PLATE-22
B073024	PLATE-38	B073882BL	PLATE-29	B074657	PLATE-40
B073084	PLATE-38	B073882BW	PLATE-29	B074846	PLATE-7.1
B073084	PLATE-38	B073882CB	PLATE-29	B074850	PLATE-34

PART NO	BLOCK	PART NO	BLOCK	PART NO	BLOCK
B074850	PLATE-34	B075808	PLATE-24	B076375NB	PLATE-30
B074851	PLATE-38	B075835	PLATE-27	B076375WR	PLATE-30
B074905	PLATE-23	B075836	PLATE-27	B076410	PLATE-40
B074962	PLATE-18	B075838	PLATE-27	B076437	PLATE-38
B074970	PLATE-7.1	B075861	PLATE-38	B076492	PLATE-18
B074971	PLATE-7.1	B075949	PLATE-27	B076520	PLATE-30
B074999	PLATE-27	B075950	PLATE-27	B076650	PLATE-22
B075142BL	PLATE-30	B075966	PLATE-22	B076650R	PLATE-40
B075142CB	PLATE-30	B075967	PLATE-22	B076707	PLATE-34
B075142EG	PLATE-30	B075979	PLATE-22	B076708	PLATE-34
B075142GY	PLATE-30	B075981	PLATE-22	B076732	PLATE-18
B075142WR	PLATE-30	B075989	PLATE-22	B076847	PLATE-27
B075178R	PLATE-31	B076007	PLATE-27	B077027	PLATE-30
B075327	PLATE-31	B076012	PLATE-22	B077865	PLATE-29
B075327	PLATE-38	B076112	PLATE-7.1	B077866	PLATE-29
B075337	PLATE-18	B076119	PLATE-23	B078026	PLATE-30
B075426	PLATE-38	B076120	PLATE-29	B078212	PLATE-28
B075439	PLATE-31	B076142	PLATE-40	B078212	PLATE-31
B075440	PLATE-31	B076200	PLATE-38	B078213	PLATE-31
B075443	PLATE-31	B076201	PLATE-38	B078272	PLATE-29
B075475	PLATE-27	B076202	PLATE-38	B078274	PLATE-29
B075485	PLATE-27	B076253BW	PLATE-22	B078286R	PLATE-29
B075488	PLATE-27	B076253BY	PLATE-22	B078919	PLATE-22
B075489	PLATE-27	B076253CB	PLATE-22	B078919	PLATE-30
B075490	PLATE-27	B076253EG	PLATE-22	CM166102	PLATE-7
B075491	PLATE-27	B076253GY	PLATE-22	CM166201	PLATE-14
B075616	PLATE-22	B076253NB	PLATE-22	CM166202	PLATE-14
B075616	PLATE-38	B076253NB	PLATE-22	CM166203	PLATE-14
B075622	PLATE-38	B076253WR	PLATE-22	CM167708	PLATE-8
B075636	PLATE-38	B076254BW	PLATE-22	CM167802	PLATE-8
B075642	PLATE-7.1	B076254BY	PLATE-22	CM167902	PLATE-8
B075687ED	PLATE-26	B076254EG	PLATE-22	CM168814	PLATE-1
B075693	PLATE-28	B076254GY	PLATE-22	CM168815	PLATE-1
B075693	PLATE-28	B076254NB	PLATE-22	CM263501	PLATE-8
B075694	PLATE-25	B076254WR	PLATE-22	CM263603	PLATE-8
B075697	PLATE-27	B076290	PLATE-24	CM264701	PLATE-8
B075703	PLATE-23	B076292	PLATE-24	CM271501	PLATE-7
B075707	PLATE-18	B076334	PLATE-22	D9004159230	PLATE-7.1
B075732	PLATE-23	B076375BW	PLATE-30	KIT1U000020	PLATE-10
B075790	PLATE-18	B076375BY	PLATE-30	KIT1U000024	PLATE-14
B075796	PLATE-18	B076375CB	PLATE-30	KIT1U000025	PLATE-14
B075798	PLATE-19	B076375EG	PLATE-30	KIT95033	PLATE-32
B075807	PLATE-24	B076375GY	PLATE-30	KIT95036	PLATE-32

