

Parts Catalog

Commercial Vehicle

ape xtra DV

PLATES INDEX

Sr No.	Plate Name	Plate No.	Page No.
1	CYLINDER, CRANKCASE, OIL PAN, PTO COVER AND CRANKSHAFT SUPPORT	1	1-4
2	CYLINDER HEAD ASSEMBLY & DECOMPRESSION LEVER	2	5-8
3	ROCKER ARM COVER	3	9-10
4	CRANKSHAFT, PISTON AND CON ROD ASSY	4	11-12
5	CAM SHAFT, PUSH ROD AND ROCKER ARMS	5	13-14
6	GOVERNOR, FUEL PUMP CONTROL LEVER, L.O. PUMP ASSY. AND SPIN-ON TYPE LUB OIL FILTER	6	15-18
7	REMOTE THROTTLE AND STOP CONTROL	7	19-20
8	FEED PUMP, FUEL FILTER AND FUEL PIPE LINES	8	21-24
9	FUEL INJECTION PUMP AND INJECTOR ASSY	9	25-28
10	ENGINE COWLING, AIR DUCT, EXHAUST SYSTEM	10	29-32
11	AIR SHROUD / FLYWHEEL / PULLEY / ELECTRIC START SYSTEM COMPONENTS	11	33-36
12	AIR FILTER ASSEMBLY	12	37-38
13	ENGINE SIDE COVER AND MAIN HOUSING	13	39-40
14	MAINSHAFT, SPEED GEARS AND CLUSTER GEAR	14	41-42
15	GEAR SHIFTER AND ITS CONTROL MECHANISM	15	43-44
16	DIFFERENTIAL UNIT, FARE METER HOUSING AND SPEEDO DRIVE	16	45-48
17	CLUTCH AND CLUTCH COVER	17	49-52
18	ENGINE SUPPORT	18	53-56
19	CHASSIS FRAME, FUEL TANK & SEAT	19	57-60
20	INNER PARTS OF CABIN	20	61-62
21	CHASSIS COMPONENTS	21	63-64
22	RUBBER MAT, REAR MUDGUARD	22	65-68
23	DOORS, TOOLS AND WHEELS	23	69-74
24	REAR SUSPENSION	24	75-78
25	STEERING COLUMN AND FRONT SUSPENSION	25	79-82
26	HANDLE BAR AND CONTROL	26	83-86
27	BRAKE - TANDEM MASTER CYLINDER, BRAKE PIPE AND HAND BRAKES	27	87-90
28	ELECTRICAL DEVICES	28	91-94
29	ELECTRICAL DEVICES	29	95-98
30	OPEN BOX BODY (PICK-UP)	30	99-102

PLATES INDEX

Sr No.	Plate Name	Plate No.	Page No.
31	CLOSED BODY (DELIVERY VAN)	31	103-106
32	CABLE HARNESS	32	107-108
33	FRONT BRAKE ASSEMBLY SELF ADJUSTING (DIA 180 X 40 MM)	33	109-110
34	REAR BRAKE ASSEMBLY SELF ADJUSTING (DIA 180 X 40 MM)	34	111-112

PICTORIAL PLATES INDEX

PLATE-1 **CYLINDER, CRANKCASE, OIL PAN,
PTO COVER AND CRANKSHAFT
SUPPORT**

Page No. :1-4

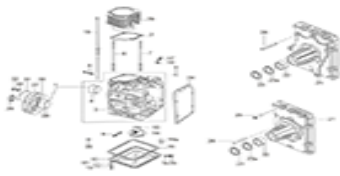


PLATE-2 **CYLINDER HEAD ASSEMBLY &
DECOMPRESSION LEVER**

Page No. :5-8

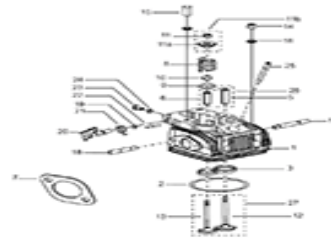


PLATE-3 **ROCKER ARM COVER**

Page No. :9-10

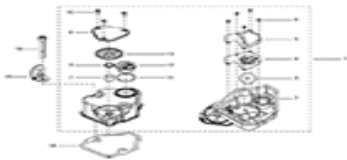


PLATE-4 **CRANKSHAFT, PISTON AND CON ROD
ASSY**

Page No. :11-12



PLATE-5 **CAM SHAFT, PUSH ROD AND ROCKER
ARMS**

Page No. :13-14



PLATE-6 **GOVERNOR, FUEL PUMP CONTROL
LEVER, L.O. PUMP ASSY. AND SPIN-
ON TYPE LUB OIL FILTER**

Page No. :15-18



PLATE-7 **REMOTE THROTTLE AND STOP
CONTROL**

Page No. :19-20

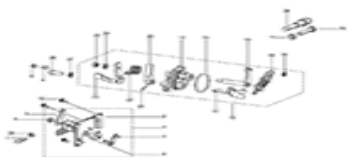
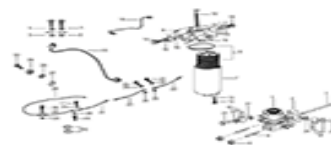


PLATE-8 **FEED PUMP, FUEL FILTER AND FUEL
PIPE LINES**

Page No. :21-24



PICTORIAL PLATES INDEX

PLATE-9 FUEL INJECTION PUMP AND INJECTOR ASSY

Page No. :25-28

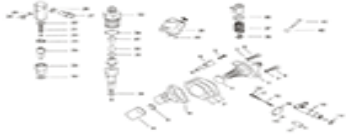


PLATE-10 ENGINE COWLING, AIR DUCT, EXHAUST SYSTEM

Page No. :29-32

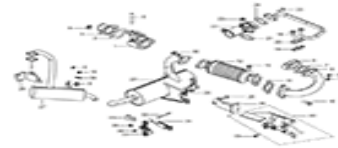


PLATE-11 AIR SHROUD / FLYWHEEL / PULLEY / ELECTRIC START SYSTEM COMPONENTS

Page No. :33-36

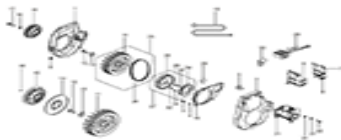


PLATE-12 AIR FILTER ASSEMBLY

Page No. :37-38

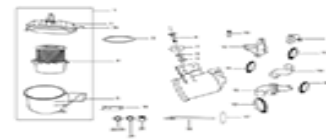


PLATE-13 ENGINE SIDE COVER AND MAIN HOUSING

Page No. :39-40

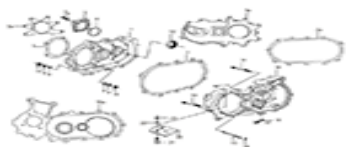


PLATE-14 MAINSHAFT, SPEED GEARS AND CLUSTER GEAR

Page No. :41-42

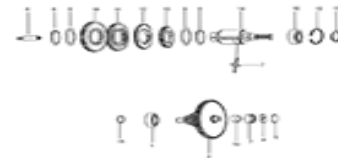


PLATE-15 GEAR SHIFTER AND ITS CONTROL MECHANISM

Page No. :43-44



PLATE-16 DIFFERENTIAL UNIT, FARE METER HOUSING AND SPEEDO DRIVE

Page No. :45-48



PICTORIAL PLATES INDEX

PLATE-17 CLUTCH AND CLUTCH COVER

Page No. :49-52



PLATE-18 ENGINE SUPPORT

Page No. :53-56



PLATE-19 CHASSIS FRAME, FUEL TANK & SEAT

Page No. :57-60

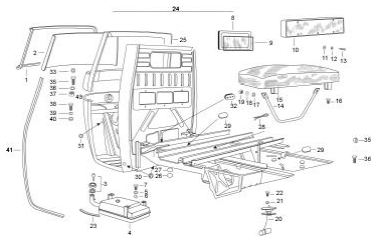


PLATE-20 INNER PARTS OF CABIN

Page No. :61-62

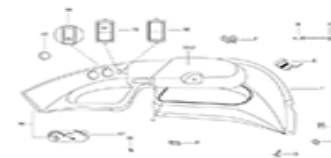


PLATE-21 CHASSIS COMPONENTS

Page No. :63-64



PLATE-22 RUBBER MAT, REAR MUDGUARD

Page No. :65-68



PLATE-23 DOORS, TOOLS AND WHEELS

Page No. :69-74

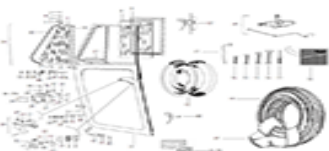
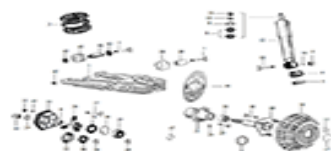


PLATE-24 REAR SUSPENSION

Page No. :75-78



PICTORIAL PLATES INDEX

PLATE-25 STEERING COLUMN AND FRONT SUSPENSION

Page No. :79-82

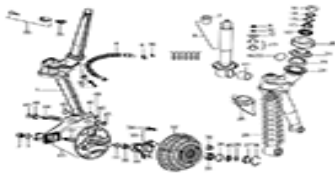


PLATE-26 HANDLE BAR AND CONTROL

Page No. :83-86

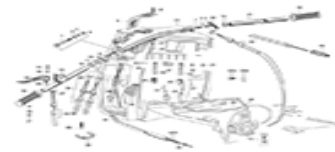


PLATE-27 BRAKE - TANDEM MASTER CYLINDER, BRAKE PIPE AND HAND BRAKES

Page No. :87-90



PLATE-28 ELECTRICAL DEVICES

Page No. :91-94



PLATE-29 ELECTRICAL DEVICES

Page No. :95-98



PLATE-30 OPEN BOX BODY (PICK-UP)

Page No. :99-102

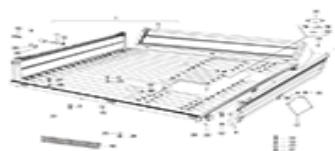


PLATE-31 CLOSED BODY (DELIVERY VAN)

Page No. :103-106

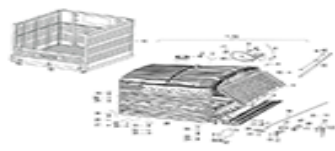


PLATE-32 CABLE HARNESS

Page No. :107-108



PICTORIAL PLATES INDEX

PLATE-33 FRONT BRAKE ASSEMBLY SELF ADJUSTING (DIA 180 X 40 MM)

Page No. :109-110

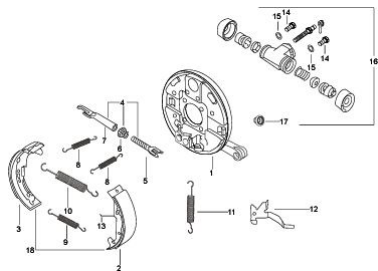


PLATE-34 REAR BRAKE ASSEMBLY SELF ADJUSTING (DIA 180 X 40 MM)

Page No. :111-112



PLATE-1
CYLINDER, CRANKCASE, OIL PAN, PTO COVER AND CRANKSHAFT SUPPORT

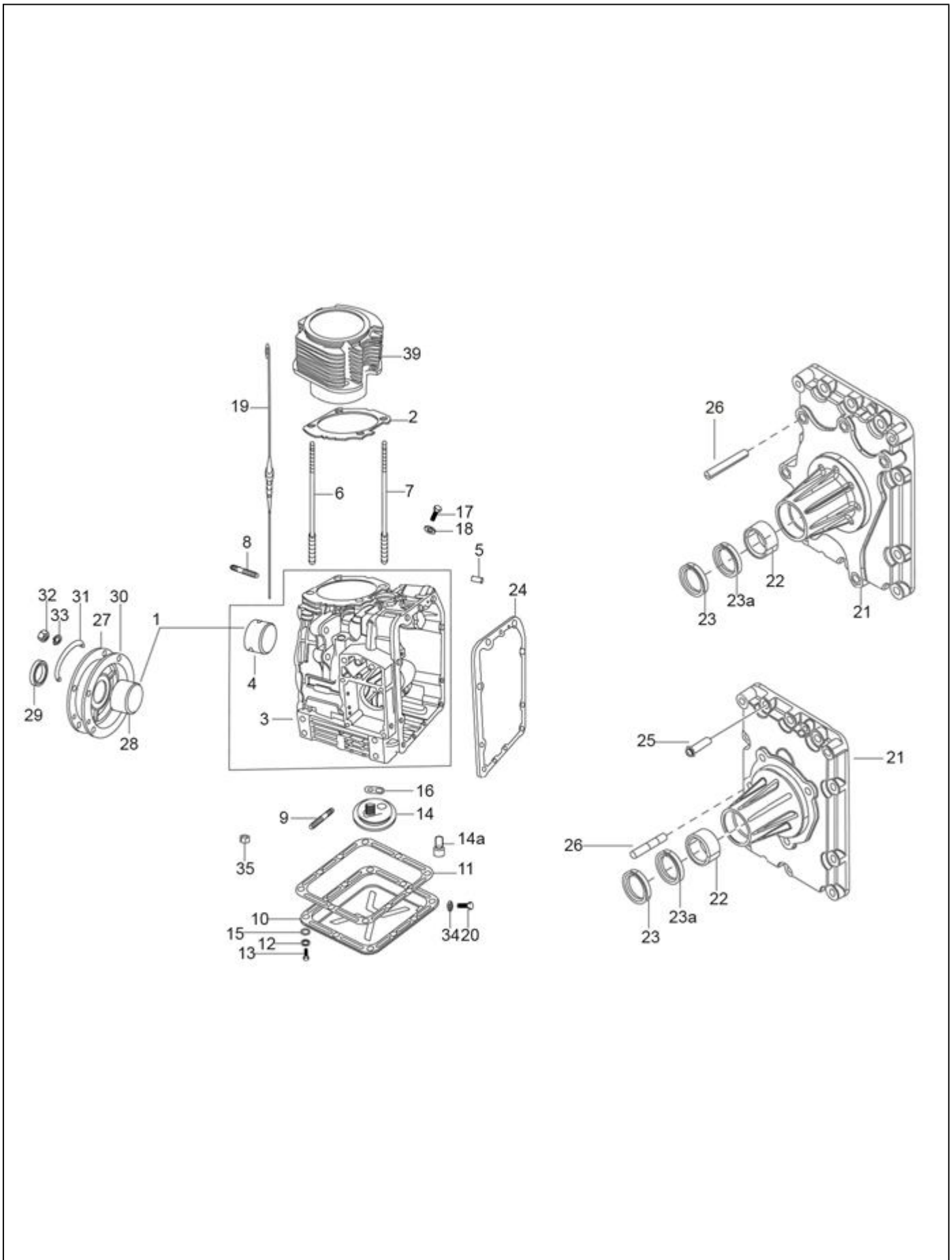


PLATE-1**CYLINDER, CRANKCASE, OIL PAN, PTO COVER AND CRANKSHAFT SUPPORT**

Fig. No.	Part No.	Description	Qty	Remarks
1	E53002224	SET OF BUSHES STD. (CONSISTING OF SR. NO. 4&28) NI	1	BSIII
2	E53006166	JOINT	1	BSII
3	E40002560	CRANKCASE WITH BUSH AND PIN	1	BSII
3	E40002578	CRANKCASE ASSY WITH BUSH (BSII)	1	BSIII
4	E40002263	BUSH CRANKCASE STD	1	Common
4	E40002264	BUSH CRANKCASE 0.25 MM U/S	1	Common
4	E40002265	BUSH CRANKCASE 0.50 MM U/S	1	Common
5	E276846055	DOWEL -PIN	3	Common
6	E5406850108	STUD CYLINDER HEAD	2	BSII
6	E43500540	STUD CYLINDER HEAD ROCKER SHAFT	2	BSIII
7	E43500539	STUD CYLINDER HEAD	2	BSIII
7	E5406850108	STUD CYLINDER HEAD	2	BSII
8	E271678054	STUD FWE SIDE	5	Common
9	E50000506	STUD M8X1.25X34	2	Common
10	E50008099	OIL PAN	1	Common
11	E50006169	JOINT	1	Common
12	E250755507	SPRING WASHER FOR M8	10	Common
13	E406177005	SCREW M8X1.25X22	10	BSII
13	E50002805	COLLER BOLT M8 X 1.25 X 22	10	BSIII
14	E50008883	SUCTION BULB ASSY.	1	Common
14A	E99732047	SCREW FOR BULB	1	BSIII
15	E50000307	PLAIN WASHER (15X9X1.5)	10	Common
16	E40016141	JOINT SUCTION BULB	1	Common
17	E1177001	BOLT	2	BSII
17	E43502817	HEX BOLT FLANGE M8 X 1.25 X 12	2	BSIII
18	E200467003	JOINT	1	Common
19	E52008924	DIPSTICK	1	Common
20	E50000421	MAGNETIC DRAIN PLUG M12X1.5	1	Common
21	E53011748	COVER PTO	1	BSII
21	E43521745	COVER PTO (SIX STUD)	1	BSIII
22	E90303028	BEARING NEEDLE	1	Common
23	E50006328	OIL SEAL	1	BSII
23A	E9121356	OIL SEAL	1	BSIII
24	E50006101	JOINT 0.4 MM	1	BSII
24	E500460120	JOINT 0.2 MM	1	Common
24	E500460102	JOINT 0.3 MM	1	Common
25	E07502804	COLLER BOLT M8 X 1.25 X 30	10	Common
25	E422973030	CAP SCREW FOR M8X1.25 FOR FUEL PUMP (BSII)	2	BSIII
25A	E250755507	SPRING WASHER FOR M8	10	BSII
26	E50000506	STUD M8X1.25X34	4	BSII
26	ESK4336	STUD M8 X 1.25 X 57(PTO COVER)	6	BSIII
27	E40011772	CRANKSHAFT SUPPORT ASSY. GL400	1	Common

PLATE-1
CYLINDER, CRANKCASE, OIL PAN, PTO COVER AND CRANKSHAFT SUPPORT

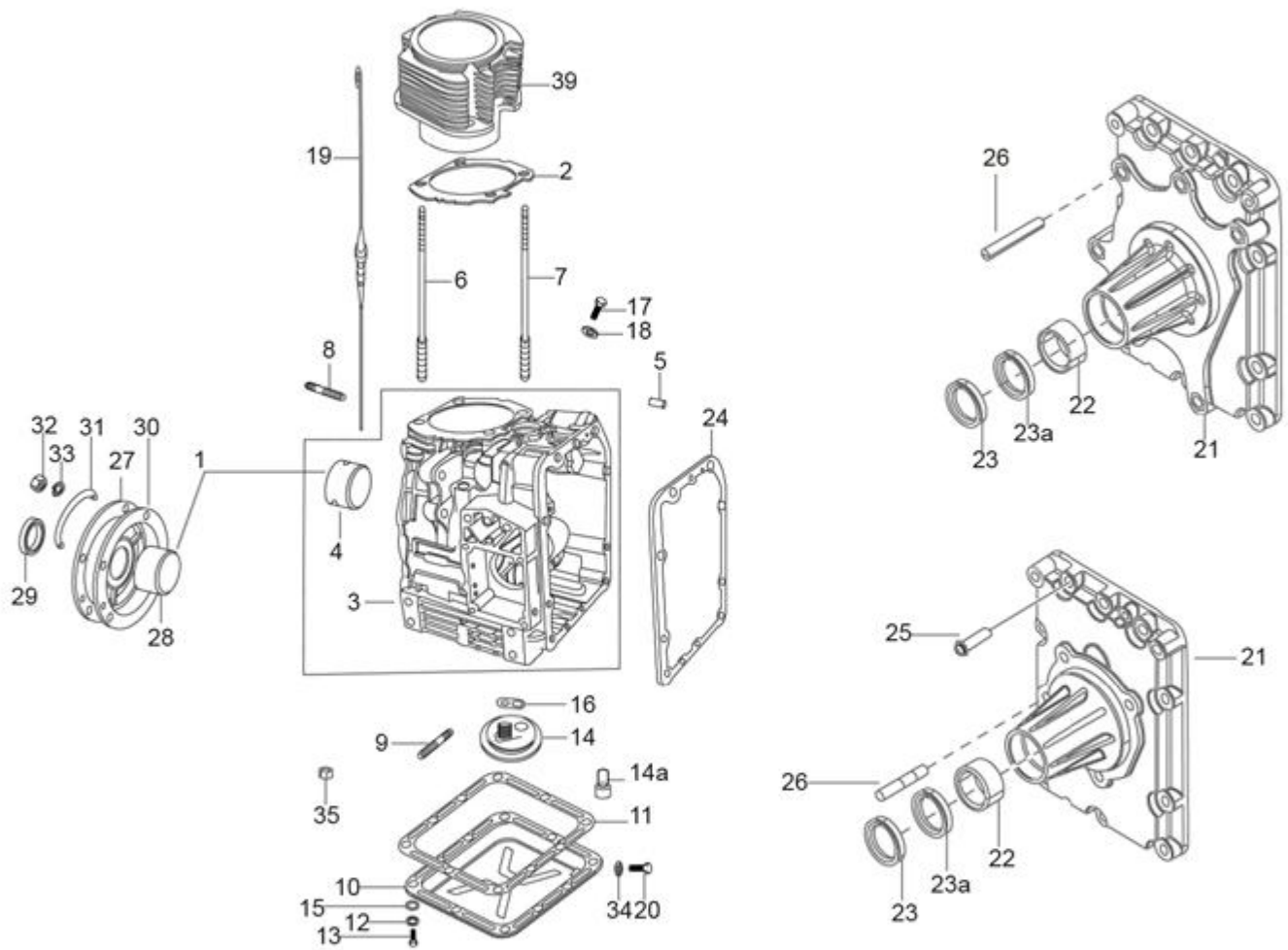


PLATE-1**CYLINDER, CRANKCASE, OIL PAN, PTO COVER AND CRANKSHAFT SUPPORT**

Fig. No.	Part No.	Description	Qty	Remarks
28	E53002206	BUSH,FWE STD.	1	BSIII
28	E53002205	BUSH FWE SIDE 1.00 MM U/S	1	BSII
28	E53002210	BUSH FWE SIDE 1.00 MM U/S	1	BSIII
28	E40002266	BUSH CRANKCASE 0.75 MM U/S	1	BSII
28	E53002209	BUSH FWE SIDE 0.75 MM U/S	1	BSIII
28	E40002264	BUSH CRANKCASE 0.25 MM U/S	1	BSII
28	E53002207	BUSH FWE SIDE 0.25 MM U/S	1	BSIII
28	E40002265	BUSH CRANKCASE 0.50 MM U/S	1	BSII
28	E53002208	BUSH FWE SIDE 0.50 MM U/S	1	BSIII
29	ED42548	OILSEAL 520/530/GL400	1	Common
30	E500470103	JOINT 0.2 MM	1	BSII
30	E500470094	JOINT 0.3 MM	1	BSII
31	ESK8832	RETAINER PLATE	3	Common
32	E9324018	NUT M8 X 1.25 X 6.5	5	Common
33	E50000613	MACHINED WASHER 16X8.1X2	5	BSII
33	E250755507	SPRING WASHER FOR M8	5	BSIII
34	E250467014	JOINT 12X19X1(JOINT DRAIN PLUG)	1	Common
35	E500197087	SLEEVE - OIL PAN IN CRANK CASE	2	BSIII
37	ED43340	GUIDING BOLT	1	BSII
38	ED40642	WASHER (BSII) (N.I.)	1	BSII
39	E43502770	CYLINDER GRADE B	1	BSIII
39	E5402380456	CYLINDER BARREL GRADE A	1	BSII
39	E43502705	CYLINDER GRADE A	1	BSIII
39	E5402380457	CYLINDER BARREL GRADE B	1	BSII
40	ESK5565	SET OF JOINTS (N.I.)	1	BSII
41	E43526175	SET OF JOINTS (N.I.)	1	BSIII

PLATE-2
CYLINDER HEAD ASSEMBLY & DECOMPRESSION LEVER

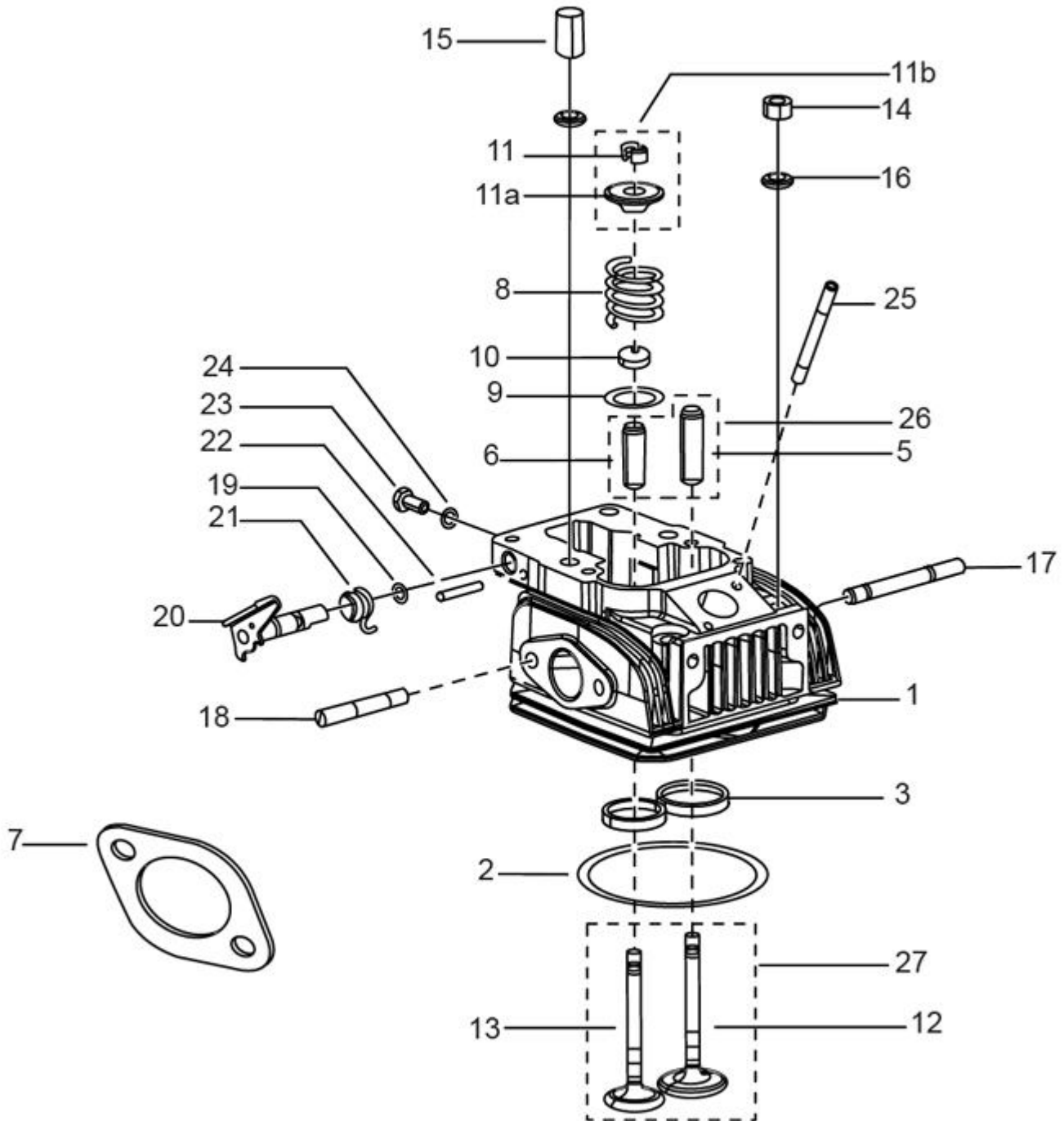


PLATE-2**CYLINDER HEAD ASSEMBLY & DECOMPRESSION LEVER**

Fig. No.	Part No.	Description	Qty	Remarks
0	E40010713	CYLINDER HEAD KIT (NI)	1	NI
1	E43512268	CYLINDER HEAD WITH VALVE GUIDE AND SEAT	1	BSIII
1	E40018345	CYLINDER HEAD ASSY. WITH EXH. STEM	1	BSII
2	E43506182	JOINT CYLINDER HEAD 0.8 MM	1	Common
2	E43506183	JOINT CYLINDER HEAD 0.9 MM	1	Common
2	E40016143	JOINT CYLINDER HEAD 0.5 MM	1	Common
2	E43506181	JOINT CYLINDER HEAD 0.7 MM	1	Common
2	E40026134	JOINT CYL. HEAD (1.0 THK.)	1	Common
2	E43506180	JOINT CYLINDER HEAD 0.6 MM	1	Common
2	E40016144	JOINT CYLINDER HEAD 0.55 MM	1	Common
3	E5508000117	VALVE SEAT INLET	1	Common
4	E5508000118	VALVE SEAT EXHAUST	1	Common
5	E500022105	INT.VAL.GUIDE	1	Common
6	E40002255	EXHAUST VALVE GUIDE	1	BSII
7	E500450092	JOINT INTAKE FLANGE AIR INTAKE	1	Common
8	E500575545	VALVE SPRING	2	Common
9	E5003430070	DISC	2	Common
10	E500213572	CAP INLET VALVE	1	BSII
10	E50006342	VALVE STEM SEAL	1	BSIII
11	E500641036	COLLET ASSY.	2	BSII
11	E43522242	COLLET ASSY. COSISTING OF SR. NO.11A, 11B	2	BSIII
11A	E500640030	SPRING RETAINER TOP	2	Common
11B	E870022109	VALVE COLLETS (MULTY GROOVE)	4	BSIII
12	E43522238	SET OF VALVE CONSISTING OF SR. NO. 12 & 13	1	BSIII
13	ED33454	EXHAUST VALVE	1	BSIII
13	E40008380	EXHAUST VALVE (BSII)	1	BSII
14	E93240076	NUT	2	Common
15	ED40165	DOME NUT	2	Common
16	E97625065	PLAIN WASHER	4	Common
17	E43500573	STUD M8 X 1.25 - INTAKE SIDE	2	BSIII
17	E40000549	STUD AIR INTAKE	2	BSII
18	E50000506	STUD M8X1.25X34	2	BSII
18	ESK4336	STUD M8 X 1.25 X 57(PTO COVER)	2	BSIII
19	E268120034	O RING	1	Common
20	ED40580	DECOMPRESSION SHAFT ASSY.	1	Common
21	E5005680046	RETURN SPRING	1	Common
22	E50000901	SPRING DOWEL	1	Common
23	E505193049	BOLT	1	Common
24	E260467001	JOINT	1	Common
25	E500676035	STUD M6X1X67	2	Common
26	E40012272	VALVE GUIDE SET	1	BSII
26	E43522234	SET OF VALVE GUIDE CONSISTING OF 5 & 6	1	BSIII

PLATE-2
CYLINDER HEAD ASSEMBLY & DECOMPRESSION LEVER

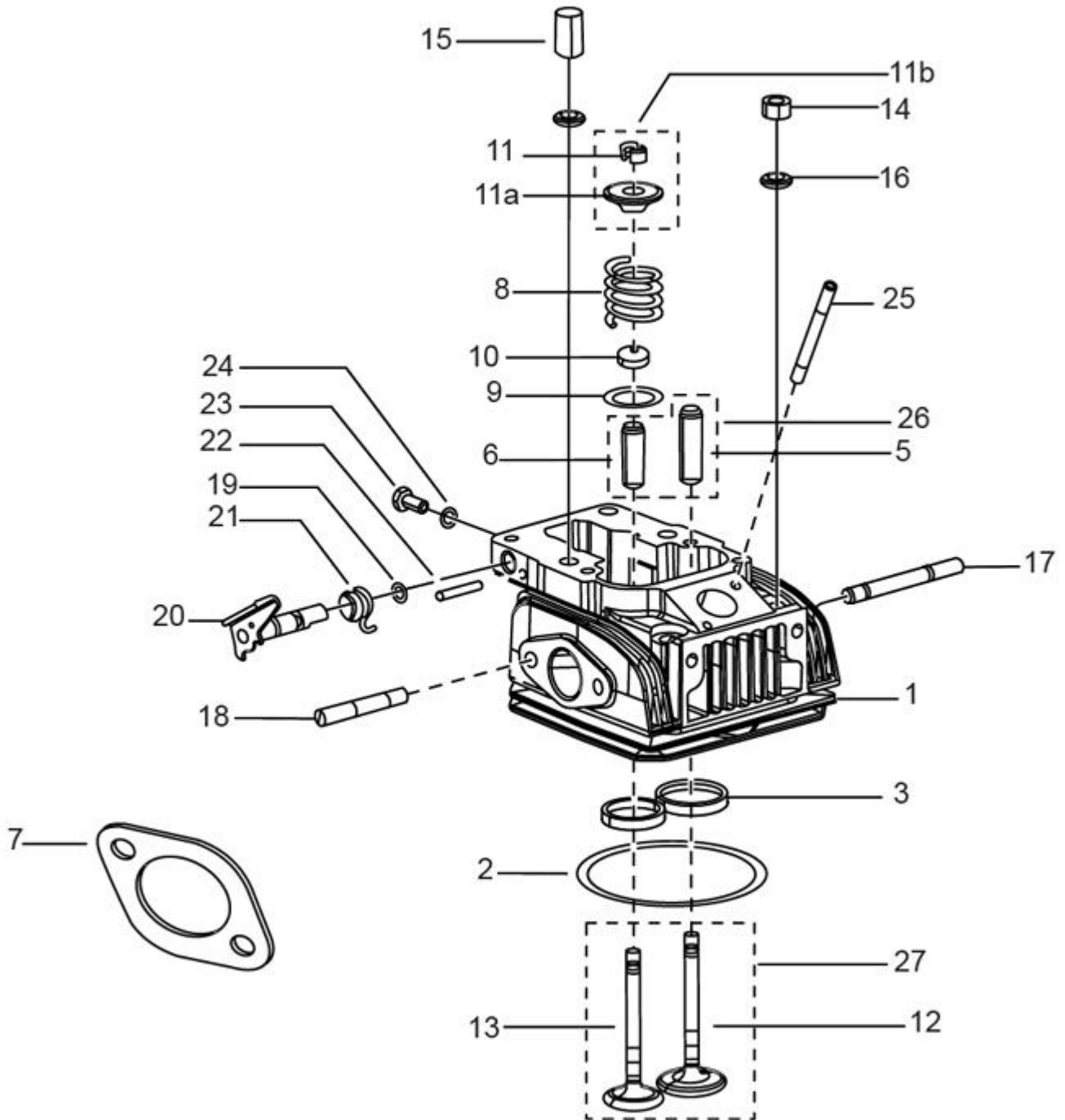


PLATE-2**CYLINDER HEAD ASSEMBLY & DECOMPRESSION LEVER**

Fig. No.	Part No.	Description	Qty	Remarks
27	E40012271	VALVE SET MULTIGROOVE	1	BSII
27	E43522238	SET OF VALVE CONSISTING OF SR. NO. 12 & 13	1	BSIII
27	E400022104	SET OF VALVES (BSII)	1	BSII

PLATE-3
ROCKER ARM COVER

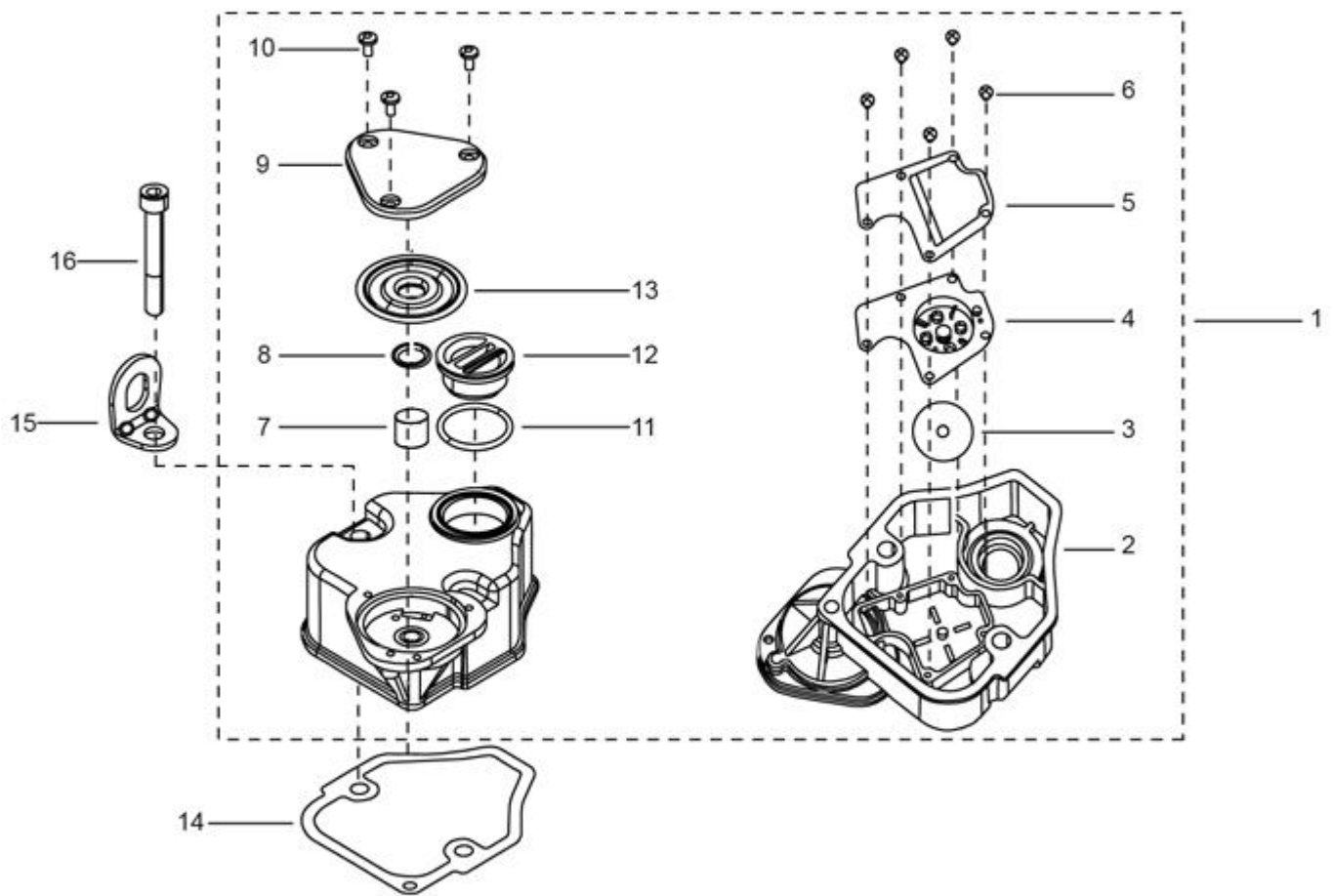


PLATE-3**ROCKER ARM COVER**

Fig. No.	Part No.	Description	Qty	Remarks
1	ED41789	ROCKER COVER ASSY. LM TYPE (N.I.)	1	BSII
1	E43506639	ROCKER COVER BOX ASSY.WITH OIL FILLING PLUG (SR. NO. 38, 42, 42A) (N.I.)	1	BSIII
2	E40006630	ROCKER COVER	1	BSII
3	E1969693007	SAFETY VALVE LM TYPE	1	BSII
3	ED43751	SAFETY VALVE	1	BSIII
4	E1967980064	CUP FOR FILTER	1	Common
5	E1965140021	SHEET STEEL	1	Common
6	E51981002	SCREW	1	Common
7	E1965755128	SPRING LM TYPE	1	Common
8	E1967625270	WASHER FOR SAFETY VALVE	1	Common
9	E40020417	BREATHER COVER NYLON	1	BSIII
9	E1962750311	TRIANGULAR BREATHER COVER (AI)	1	BSII
10	ESK8694	PHILLIPS HEAD SCREW	3	Common
11	E61200082	O RING	1	Common
12	E5409032088	CAP	1	Common
13	ED43751	SAFETY VALVE	1	Common
14	E40016138	JOINT	1	Common
15	E904850603	LIFTING HOOK	1	Common
16	E50000114	BOLT (ALLEN)	2	Common

PLATE-4
CRANKSHAFT, PISTON AND CON ROD ASSY

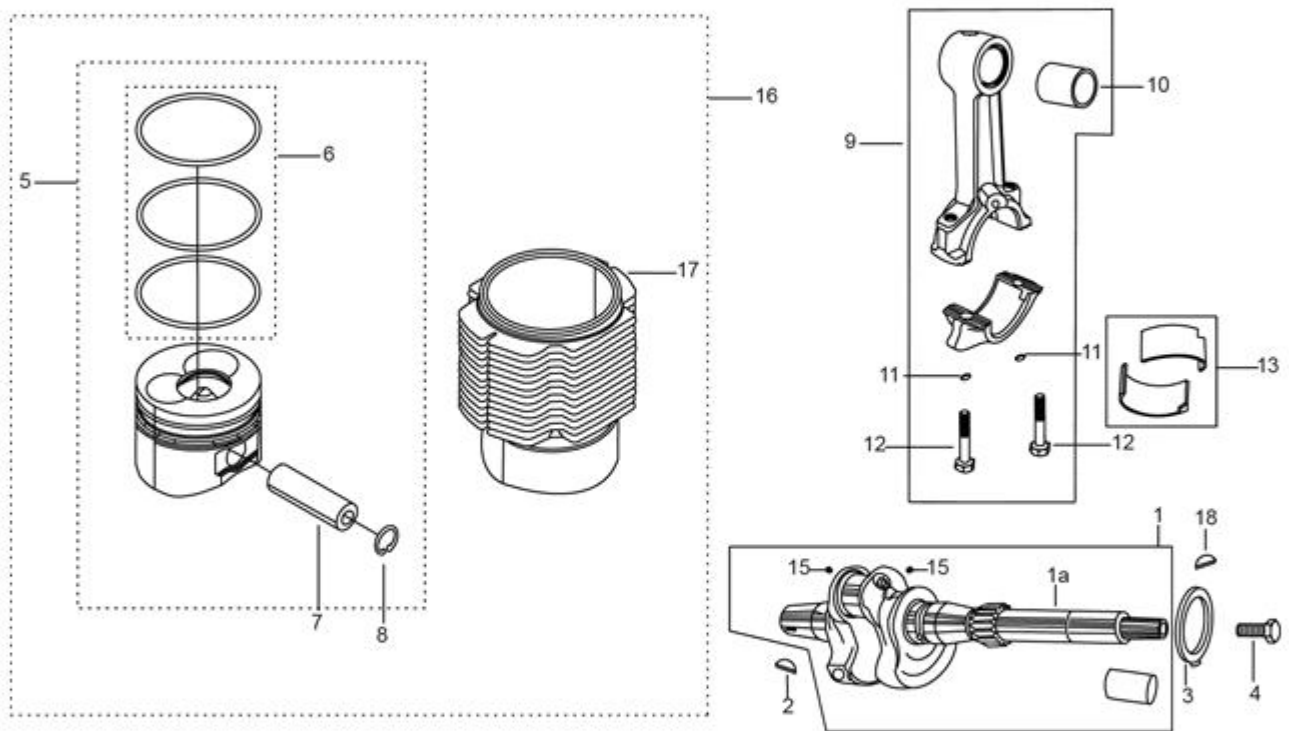


PLATE-4**CRANKSHAFT, PISTON AND CON ROD ASSY**

Fig. No.	Part No.	Description	Qty	Remarks
1	E43510715	CRANKSHAFT WITH KEY CONSIST OF 8 & 12.	1	BSIII
1	E50006060	CRANKSHAFT	1	BSII
2	E500228048	KEY - F.W.E.	1	Common
3	E500125708	THRUST WASHER	1	Common
4	E47177007	SCREW M8X1.25X30	1	Common
5	E43520572	PISTON ASSY. GRADE B	1	BSIII
5	E40020509	PISTON ASSLY. A MOD BS-II	1	BSII
5	E43520571	PISTON ASSY. GRADE A	1	BSIII
5	E40010597	PISTON ASSY. STD (GRADE A)	1	BSII
5	E40020510	PISTON ASSLY. B MOD BS-II	1	BSII
6	E43511440	PISTON RING SET (STD)	1	BSIII
6	E40011420	PISTON RING SET MOD BS-II	1	BSII
7	E5408480091	GUDGEON PIN	1	Common
8	E3124017	CIRCLIP 500 SR	2	Common
9	E50009023	CONNECTING ROD ASSY.	1	BSII
9	E87009032	CONNECTING ROD ASSEMBLY CONSIST OF SR.NO 1,5,6	1	BSIII
10	E50009205	BUSH SMALL END CON ROD	1	Common
11	E50000307	PLAIN WASHER (15X9X1.5)	2	BSIII
12	E50000160	BOLT CONNECTING ROD (M8X1X45)	2	Common
13	E50002296	LARGE END BEARING WITH COPPER LED PAIR (STD)	1	BSII
13	ED40718	LARGE END BEARING 0.25 MM U/S KOEL	1	Common
13	ED40719	LARGE END BEARING 0.50 MM U/S KOEL	1	Common
14	ED42396	CON ROD BOLT KIT	1	BSII
14	E50010710	CON ROD BOLT KIT CONSISTING OF 11,12 & 13	1	BSIII
15	E500900038	PLUG OIL HOLE	2	BSIII
16	ED41933	BARRAL PISTON KIT	1	BSII
16	E40020513	BP KIT MOD BS-II	1	BSII
16	E43510714	CYLINDER AND PISTON ASSY. KIT	1	BSIII
17	E5402380456	CYLINDER BARREL GRADE A	1	BSII
17	E43502705	CYLINDER GRADE A	1	BSIII
17	E5402380457	CYLINDER BARREL GRADE B	1	BSII
17	E43502770	CYLINDER GRADE B	1	BSIII
18	E70228047	KEY PTO	1	Common

PLATE-5
CAM SHAFT, PUSH ROD AND ROCKER ARMS

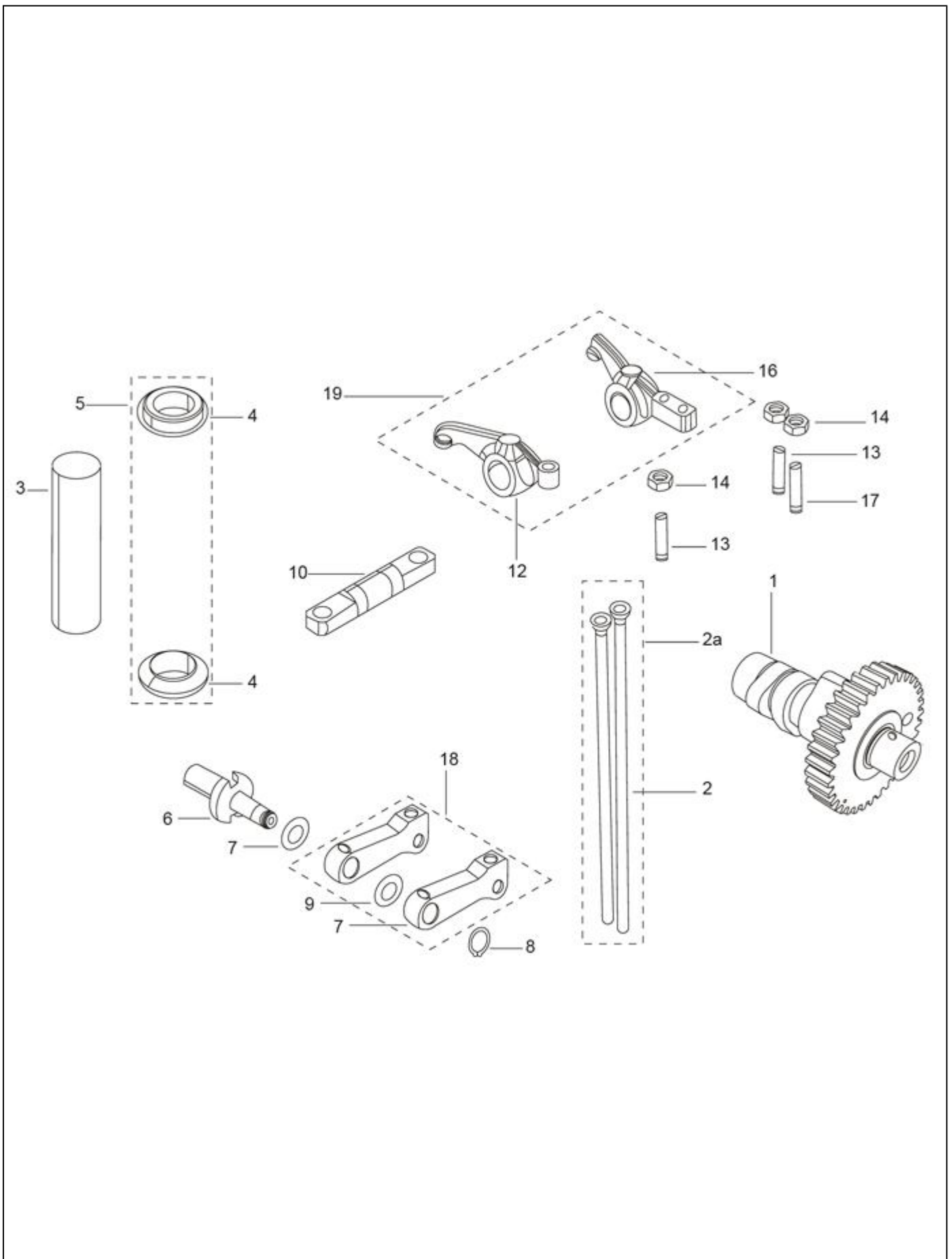


PLATE-5**CAM SHAFT, PUSH ROD AND ROCKER ARMS**

Fig. No.	Part No.	Description	Qty	Remarks
1	E400060112	CAM SHAFT (BSII)	1	Common
2	E500141016	PUSH ROD	2	BSII
2	E43507331	PUSH ROD 500 SR.	2	BSIII
2A	E50007334	SET OF PUSHES	1	BSII
2A	E43507359	SET OF PUSHRODS	1	BSIII
3	E5009520029	PUSH ROD TUBE	1	BSII
3	E43507330	PUSH ROD TUBE	1	BSIII
4	E500474018	SLEEVE-PUSH ROD TUBE	1	BSII
4	E40006428	JOINT PUSH ROD SLEEVE (G400AG)	1	BSIII
5	E43526174	SLEEVE SET CONSISTING OF 4 & 5	1	BSIII
5	E50006190	SET OF SLEEVE PUSH ROD TUBE	1	BSII
6	ED30956	PIN LH THREAD	1	Common
7	E500755006	DISTANCE PIECE	2	Common
8	E47124004	CIRCLIP	1	Common
9	E5005271054	CAM FOLLOWER LEVER	2	Common
10	E5406045038	ROCKER FULCRUM	1	Common
11	E53005167	INLET ROCKER LEVER ASSY. CONSISTING OF SR.NO. 12;13;14 (N.I.)	1	Common
12	E53005136	ROCKER LEVER INLET	1	Common
13	E500985048	ADJUSTING SCREW	2	Common
14	E105324008	NUT HEX -OIL SEPARATOR MOUNTING	3	Common
15	E53005168	EXHAUST ROCKER LEVER ASSY. CONSISTING OF SR.NO. 13;14;16;17 (N.I.)	1	Common
16	E53005137	ROCKER LEVER EXHAUST	1	Common
17	E505985052	DECOMPRESSOR OPERATING SCREW	1	Common
18	ED43409	CAM FOLLOWER KIT	1	Common
19	E53005170	SET OF ROCKER LEVERS	1	Common

PLATE-6

GOVERNOR, FUEL PUMP CONTROL LEVER, L.O. PUMP ASSY. AND SPIN-ON TYPE LUB OIL FILTER

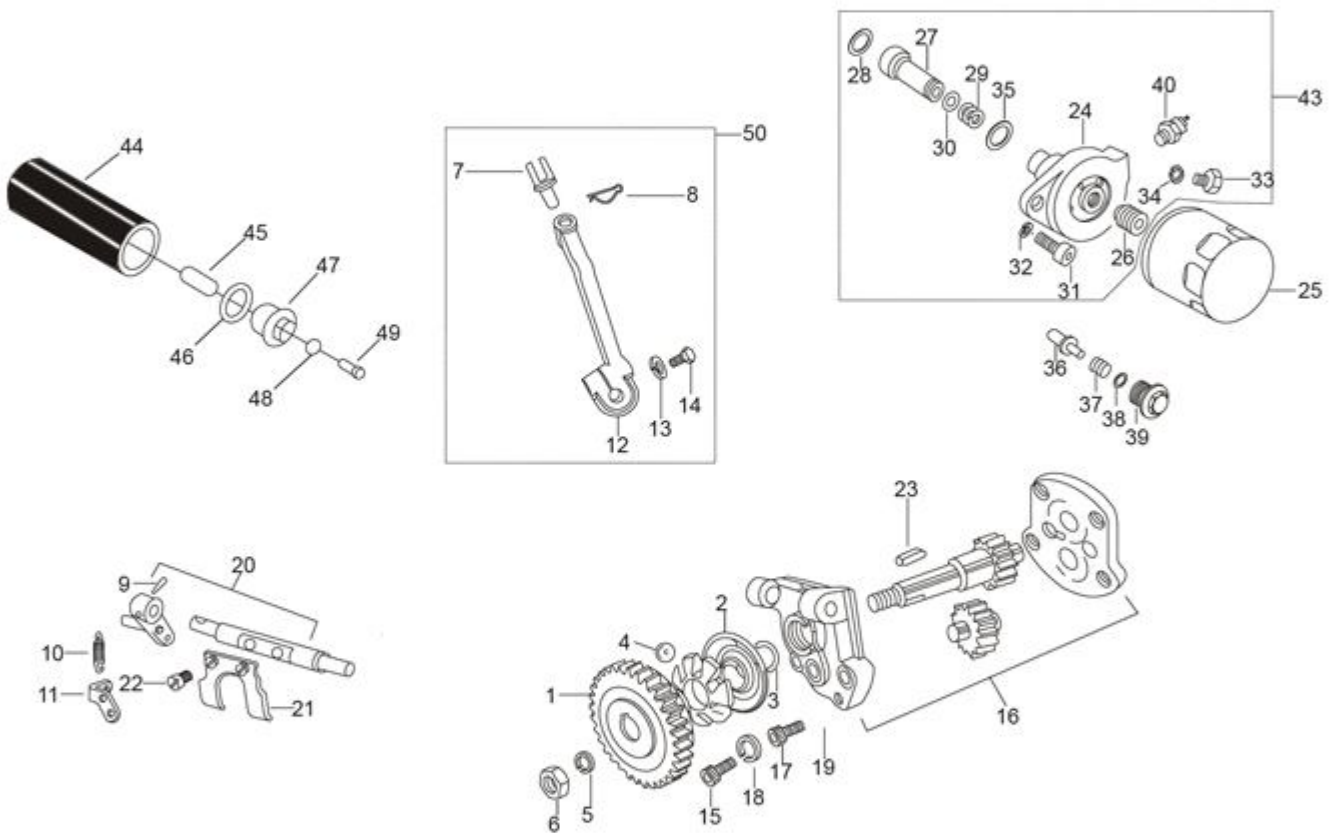


PLATE-6**GOVERNOR, FUEL PUMP CONTROL LEVER, L.O. PUMP ASSY. AND SPIN-ON TYPE LUB OIL FILTER**

Fig. No.	Part No.	Description	Qty	Remarks
1	E50010157	GOVERNOR GEAR	1	Common
2	E500208572	GOVERNOR BELL (STEEL)	1	Common
3	E500116011	CIRCLIP	1	Common
4	E3824509	BALL	6	Common
5	E202756511	SPRING WASHER FOR M10	1	Common
6	E500324066	NUT	1	Common
7	E5406140483	PIN - FDC LEVER	1	Common
8	E7102800049	SPLIT PIN	1	BSIII
9	E276843023	TAPER PIN	1	BSII
10	E5205801462	SPRING EXCESS FUEL	1	Common
11	E5006371045	ANCHOR PLATE	1	Common
12	E400051135	FUEL PUMP R C LEVER ASSY (BSII)	1	BSIII
13	E250755504	SPRING WASHER FOR M6	1	Common
14	E9176007	SCREW	1	Common
15	E264973008	CAP SCREW	1	Common
16	E52006709	LUB OIL PUMP ASSY.	1	Common
17	E50000437	HEX SOCKET HEAD SCREW	4	Common
18	E1756504	SPRING WASHER M6- OIL SEPARATOR 2	2	Common
19	E250755504	SPRING WASHER FOR M6	3	Common
20	ED43350	GOVERNOR LEVER ASSY.(ALTERNATIVE)	1	Common
21	E500520134	GOVERNOR LEVER (INLET)	1	Common
22	E51981002	SCREW	2	Common
23	E500220013	KEY	1	Common
24	ED21235	FLANGE	1	Common
25	ED42244	SPIN ON LUB OIL FILTER	1	Common
26	ED41208	STUD	1	Common
27	E50006495029	PISTON	1	Common
28	E50001213143	O RING LUB OIL FILTER	1	Common
29	E50005625006	SPRING	1	Common
30	E9041202013	O RING	1	Common
31	E260973027	CAP SCREW M8X 1.25	2	Common
32	E1756507	SPRING WASHER M8	1	BSII
32	E50000613	MACHINED WASHER 16X8.1X2	1	BSIII
33	E1177001	BOLT	1	Common
34	E200467003	JOINT	1	Common
35	E260120016	O RING	1	Common
36	E5609680013	RELIEF VALVE BODY	1	Common
37	E500575549	SPRING	1	Common
38	E200467021	JOINT	1	Common
39	E50000475	PLUG RELIEF VALVE	1	Common
40	ED41447	OIL PRESSURE SWITCH - PARALLEL THREAD	1	Common
41	E1762507	PLAIN WASHER FOR M6 FOR FDC LEVER (BSII) (N.I.)	1	BSII

PLATE-6

GOVERNOR, FUEL PUMP CONTROL LEVER, L.O. PUMP ASSY. AND SPIN-ON TYPE LUB OIL FILTER

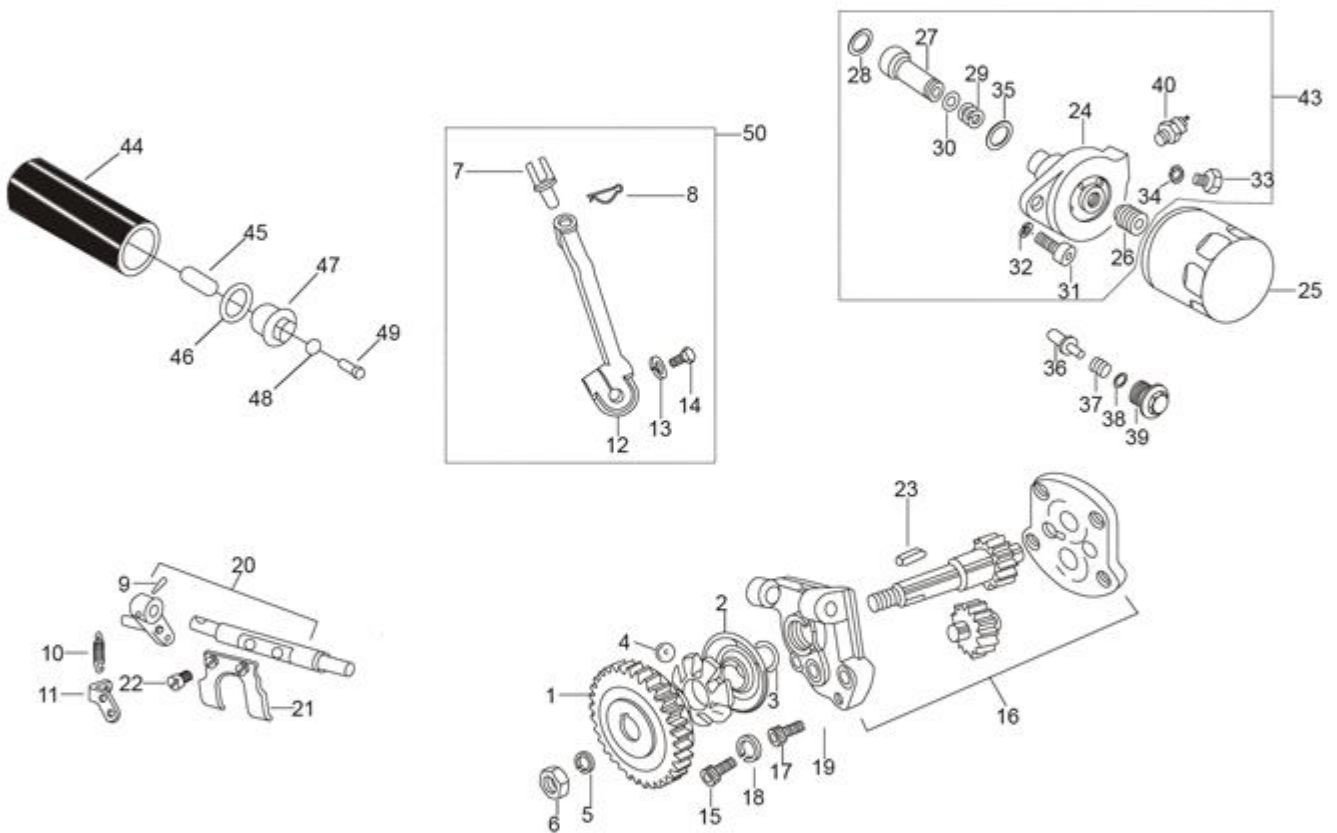


PLATE-6**GOVERNOR, FUEL PUMP CONTROL LEVER, L.O. PUMP ASSY. AND SPIN-ON TYPE LUB OIL FILTER**

Fig. No.	Part No.	Description	Qty	Remarks
42	E105324008	NUT HEX -OIL SEPARATOR MOUNTING	1	BSII
43	E40001816	FLANGE ASSY. L O FILTER	1	Common
44	E500217519	FILTER ELEMENT	1	Common
45	E5000572536	SPRING	1	Common
46	E260120016	O RING	1	Common
47	E5009060011	PLUG ON OIL FILTER	1	Common
48	E260467001	JOINT	1	Common
49	E9176003	HEX BOLT	1	Common
50	E400051135	FUEL PUMP R C LEVER ASSY (BSII)	1	Common

PLATE-7
REMOTE THROTTLE AND STOP CONTROL

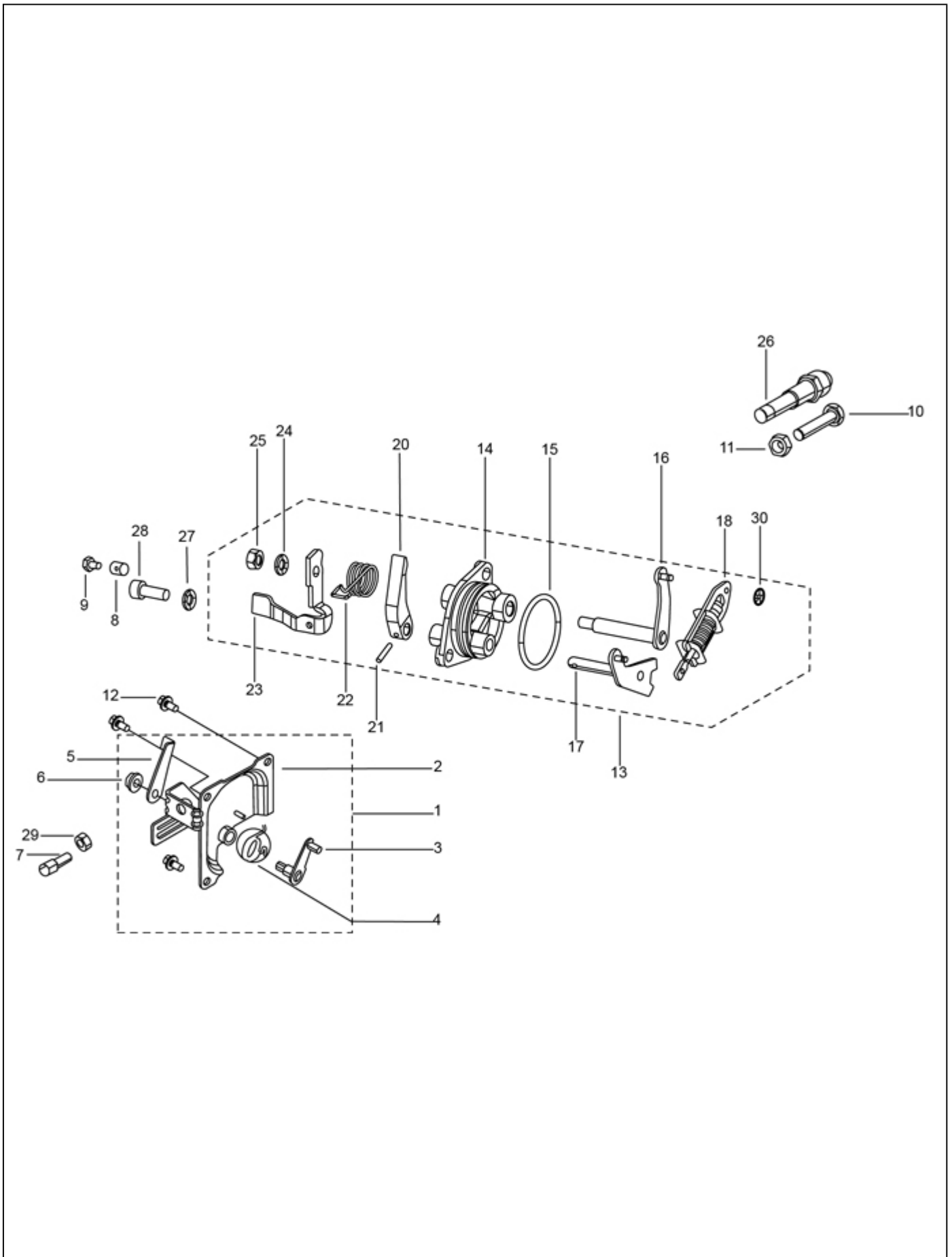


PLATE-7**REMOTE THROTTLE AND STOP CONTROL**

Fig. No.	Part No.	Description	Qty	Remarks
1	E50010174	COVER REMOTE THROTTLE STOP CONTROL (CONSISTING OF SR.NO. 2 TO 6; 12 & 13) (N.I.)	1	BSII
1	E43501847	REMOTE THROTTLE & STOP CONTROL FOR REAR MTG. ENGINE (2,3,5,6,12 & 13)	1	BSIII
2	E50010174	COVER REMOTE THROTTLE STOP CONTROL (CONSISTING OF SR.NO. 2 TO 6; 12 & 13) (N.I.)	1	BSII
3	E500520260	STOP LEVER INTERNAL	1	Common
4	E500568044	SPRING STOP LEVER RETURN	1	Common
5	E500520214	EXTERNAL STOP LEVER	1	Common
6	E07502811	COLLAR NUT M6 X 1	1	Common
7	E50000452	TERMINAL	2	Common
8	E90600031	CABLE ANCHOR	1	Common
9	ED41228	SCREW	1	Common
10	E07500428	MAX SPEED SETTING SCREW	1	Common
10	E91760028	BOLT	1	Common
11	E105324008	NUT HEX -OIL SEPARATOR MOUNTING	2	Common
12	E07502813	COLLOR BOLT M6 X 12	2	BSIII
13	E40015173	GOVERNOR SUPPORT ASSY. (CONSISTING OF SR.NO. 4;6;11;22 TO 30)	1	BSII
13	E43521752	ASSY. GOVERNOR SUPPORT	1	BSIII
14	E40009644	SUPPORT GOVERNOR LEVER	1	Common
15	E52006205	O RING	1	Common
16	E5205200777	UPPER LEVER WITH PIN	1	Common
17	E5205200778	LOWER LEVER WITH PIN	1	Common
18	E40009645	GOVERNOR SPRING ASSEMBLY	1	Common
19	E5201160056	CIRCLIP	2	Common
20	E5005202010	LEVER MAX FUEL	1	Common
21	E98420002	TAPER PIN	1	Common
22	E500568043	SPRING	1	Common
23	E5005200293	THROTTLE LEVER	1	BSII
24	E1756504	SPRING WASHER M6- OIL SEPARATOR 2	1	Common
25	E105324008	NUT HEX -OIL SEPARATOR MOUNTING	1	Common
26	E400101102	EXCESSFUEL DEVICE ASSY (BSII)	1	Common
27	E1756504	SPRING WASHER M6- OIL SEPARATOR 2	1	Common
28	E270973010	CAP SCREW (TUBE OIL ADAPTER)	2	Common
29	E105324008	NUT HEX -OIL SEPARATOR MOUNTING	2	Common
30	E27762505	MACHINED WASHER	2	Common

PLATE-8
FEED PUMP, FUEL FILTER AND FUEL PIPE LINES

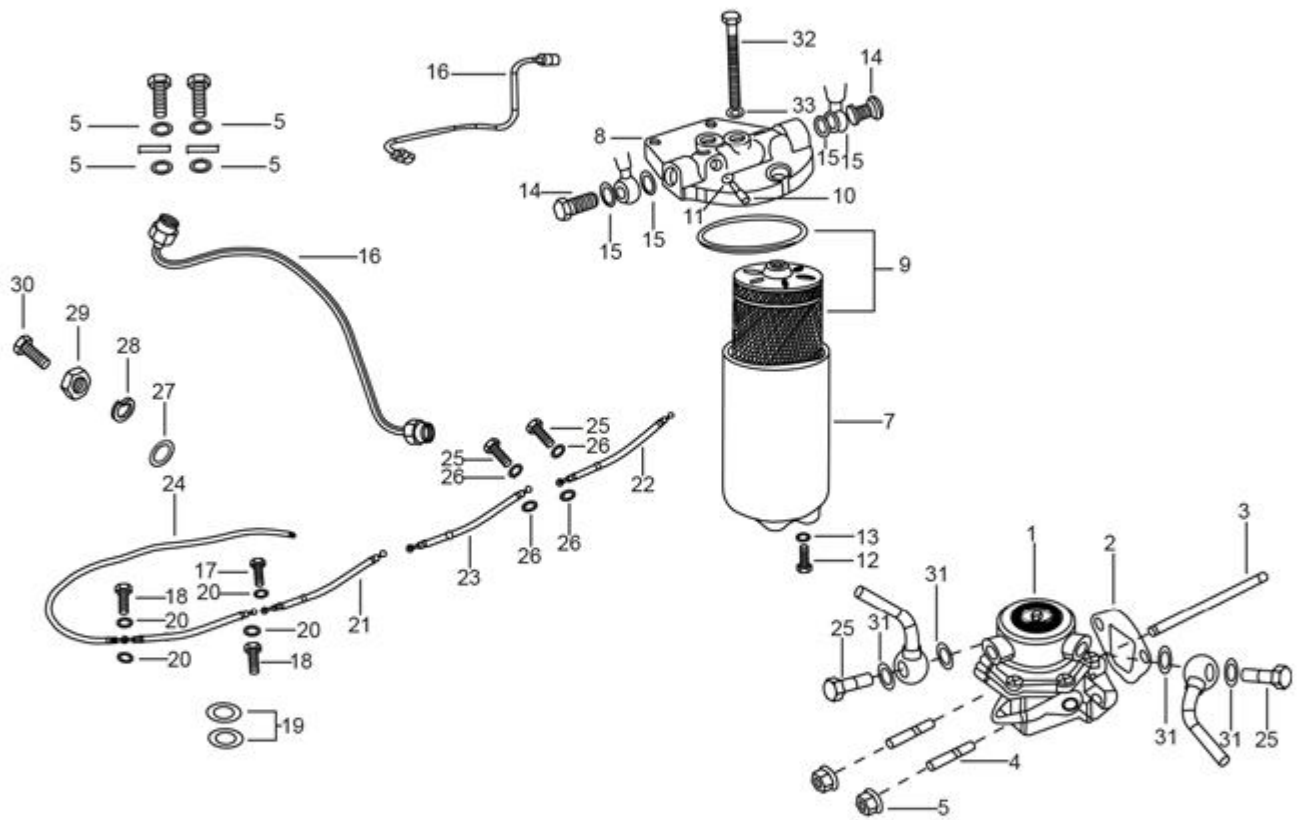


PLATE-8**FEED PUMP, FUEL FILTER AND FUEL PIPE LINES**

Fig. No.	Part No.	Description	Qty	Remarks
1	E40006819	FEED PUMP (AUTO LEC) NEW	1	Common
2	E5604580049	JOINT 0.5 MM	1	BSII
2	E50016133	JOINT 0.2MM (FEED PUMP)	1	BSIII
2	E5604580170	JOINT 0.8 MM	1	Common
2	E5604580169	JOINT 0.4 MM	1	Common
3	ED41931	PIN FOR FEED PUMP (BSII)	1	Common
4	E50000506	STUD M8X1.25X34	2	Common
5	E9324018	NUT M8 X 1.25 X 6.5	2	Common
5	E07502810	COLLAR NUT M8 X 1.25	2	Common
6	F002H20108	FILTER ASSY.	1	Common
7	F002H20340	BOTTOM BOWL	1	Common
8	F002H20333	FILTER TOP COVER	1	Common
9	9451037407	DIESEL FUEL FILTER	1	Common
10	9411033412	HEXAGON SCREW	1	Common
11	2916710602	FLAT SEAL RING	2	Common
12	9411033412	HEXAGON SCREW	1	Common
13	1413453025	SEALING WASHER	1	Common
14	E07500819	BANJO BOLT	1	Common
15	E07506189	JOINT 14X20X1.5 THICK	4	Common
16	E43501049	HIGH PRESSURE PIPE	1	BSIII
16	E40001008	HIGH PRESSURE PIPE (BSII)	1	BSII
17	E7101901012	BANJO BOLT PUMP INLET	1	Common
18	E1441570056	BANJO BOLT OVERFLOW	2	BSII
19	E40000687	JOINT	2	BSII
19	E904467015	JOINT	2	BSIII
20	E200467003	JOINT	4	BSII
21	E40017130	PIPE FEED PUMP TO FILTER	1	BSII
21	E43527185	FUEL PIPE (FEED PUMP TO FILTER)	1	BSIII
22	E40017131	FUEL PIPE (TANK TO FEED PUMP)	1	Common
23	ED41150	PIPE FILTER TO FUEL PUMP	1	BSII
23	E43527184	FUEL PIPE (FILTER TO FUEL PUMP)	2	BSIII
24	ED31570	PIPE OVERFLOW	1	BSII
24	E43527167	OVERFLOW & BLEEDING PIPE ASSY.	1	BSIII
24	E40027131	OVERFLOW & BLEEDING PIPE ASSY.	1	BSII
25	E91901030	BANJO BOLT - FEED PUMP	2	BSII
26	E94670059	JOINT - BANJO BOLT	4	BSII
27	13861	PLAIN WASHER 20X8.2X2.5	2	Common
28	16408	SPRING WASHER M8	2	Common
29	20108	HEX NUT M8	2	Common
30	30072	HEX HEAD BOLT M8 X 35	2	Common
31	E283467036	JOINT	4	BSIII
32	2911161261	SCREW	1	Common

PLATE-8
FEED PUMP, FUEL FILTER AND FUEL PIPE LINES

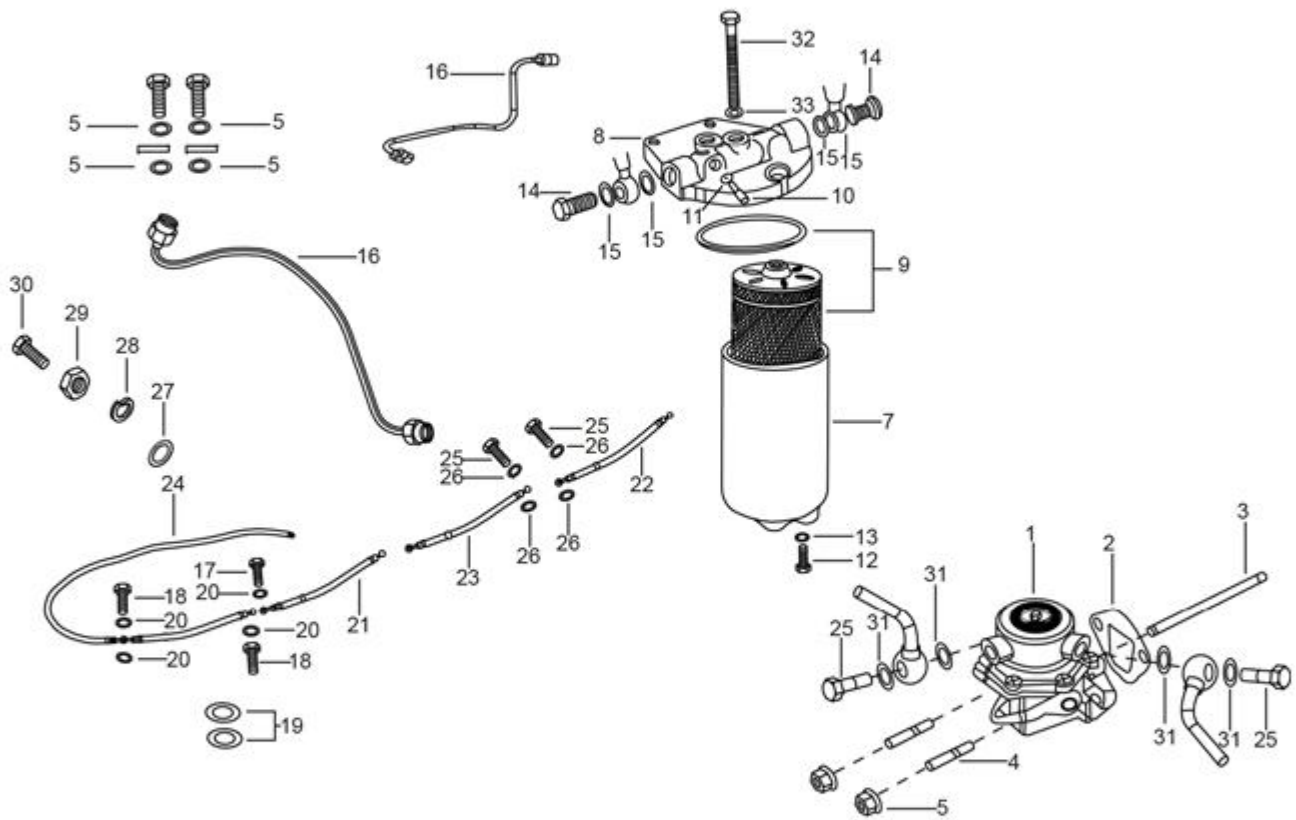


PLATE-8**FEED PUMP, FUEL FILTER AND FUEL PIPE LINES**

Fig. No.	Part No.	Description	Qty	Remarks
33	2916710603	FLAT SEAL RING	1	Common

PLATE-9
FUEL INJECTION PUMP AND INJECTOR ASSY

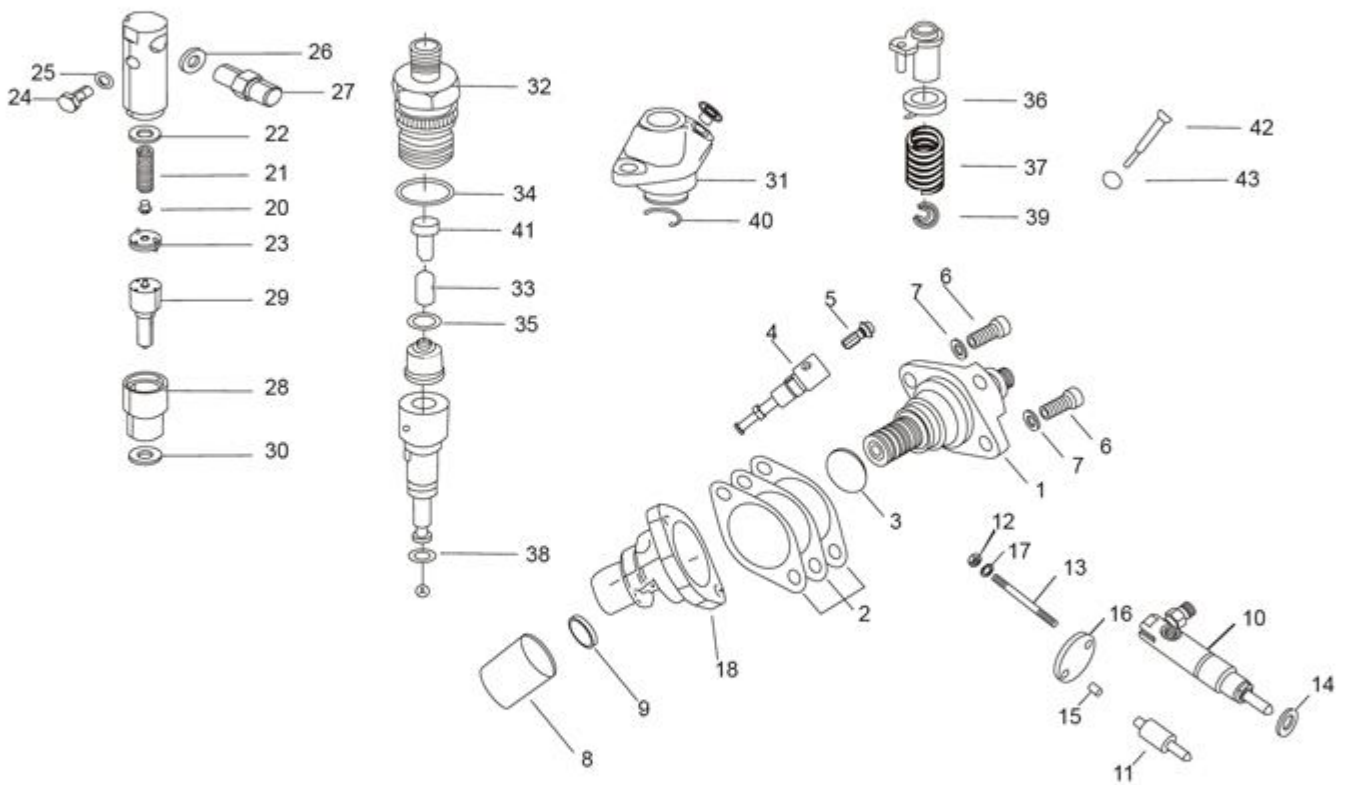


PLATE-9**FUEL INJECTION PUMP AND INJECTOR ASSY**

Fig. No.	Part No.	Description	Qty	Remarks
1	F002F50006	FUEL INJECTION PUMP GL 400 BS-II	1	BSIII
2	E500458024	SHIM 0.5MM	1	BSII
2	E5004580057	SHIM 0.05MM FOR FUEL PUMP	1	BSIII
2	E500458023	SHIM 0.3MM	1	BSII
2	E500458029	SHIM 0.1MM	1	Common
2	ED42723	JOINT FOR FIP CASING (0.5MM THICK)	1	BSIII
3	E91200087	O RING	1	BSII
4	F002B10538	ELEMENT MICO	1	BSII
4	F002B10580	ELEMENT ? BS-2	1	BSIII
5	F002B70057	DELIVERY VALVE BS-2	1	BSII
6	E422973030	CAP SCREW FOR M8X1.25 FOR FUEL PUMP (BSII)	1	Common
7	E50000613	MACHINED WASHER 16X8.1X2	2	BSII
7	E1756507	SPRING WASHER M8	2	BSIII
8	ED42723	JOINT FOR FIP CASING (0.5MM THICK)	1	BSIII
9	E500600036	SPACER	1	BSII
10	F002C7Z112	INJECTOR ASSY - EURO II	1	Common
11	F002C40521	NOZZLE MICO	1	BSII
11	F002C40562	NOZZLE	1	BSIII
12	E105324008	NUT HEX -OIL SEPARATOR MOUNTING	2	BSII
12	E07502811	COLLAR NUT M6 X 1	2	BSIII
13	E500676035	STUD M6X1X67	2	BSII
14	ED41236	JOINT 0.5MM	1	BSII
14	ED40893	JOINT 2MM	1	BSII
14	ED41237	JOINT 1MM	1	BSII
15	E500843036	DOWEL PIN	1	Common
16	E50025503	FLANGE (INJECTOR)	1	Common
17	E1756504	SPRING WASHER M6- OIL SEPARATOR 2	2	BSII
18	ED31943	FIP CASING (BSII) (N.I.)	1	Common
19	ED42723	JOINT FOR FIP CASING (0.5MM THICK)	1	BSII
20	2433124388	PRESSURE BOLT	1	BSIII
21	2434614030	SPRING	1	BSIII
22	2430136166	DISTANCE PIECE	1	BSIII
23	2430136166	DISTANCE PIECE	1	BSIII
24	2911232700	BANJO BOLT	1	BSIII
25	2916710603	FLAT SEAL RING	2	BSIII
26	E9432030100	WASHER	1	BSIII
27	E9431033395	INLET CONNECTION STUD	1	BSIII
28	E2433314053	NOZZLE CAP NUT	1	BSIII
29	F0020C40562	NOZZLE DSLA154P1306	1	BSII
30	E9431030172	SEALING WASHER	1	BSIII
31	F002F21098	PUMP HOUSING	1	BSIII
32	E9411033342	DELIVERY VALVE HOLDER	1	BSIII

PLATE-9
FUEL INJECTION PUMP AND INJECTOR ASSY

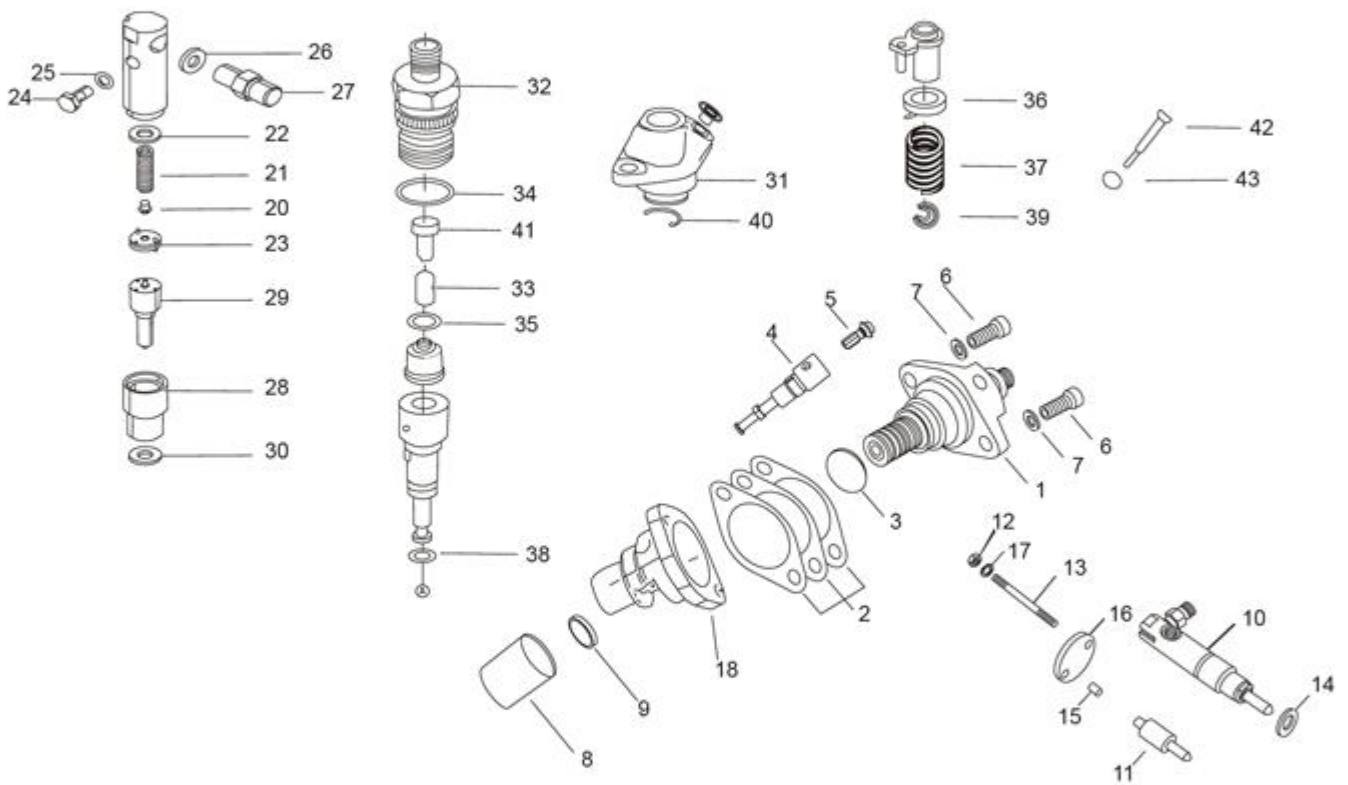


PLATE-9**FUEL INJECTION PUMP AND INJECTOR ASSY**

Fig. No.	Part No.	Description	Qty	Remarks
33	E9411034635	COMPRESSION SPRING	1	BSIII
34	E1410210017	O RING	1	BSIII
35	E1410501001	GASKET	1	BSIII
36	E141050100	SPRING PLATE-UPPER	1	BSIII
37	E3414619005	COMPRESSION SPRING	1	BSIII
38	E2916600006	RETAINER	1	BSIII
39	E2410122016	SPRING PLATE – LOWER	1	BSIII
40	E2414601001	RETAINER	1	BSIII
41	F002F5108	FILLER PIECE	1	BSIII
42	ED43340	GUIDING BOLT	1	BSIII
43	ED40642	WASHER (BSII) (N.I.)	1	BSIII

PLATE-10
ENGINE COWLING, AIR DUCT, EXHAUST SYSTEM

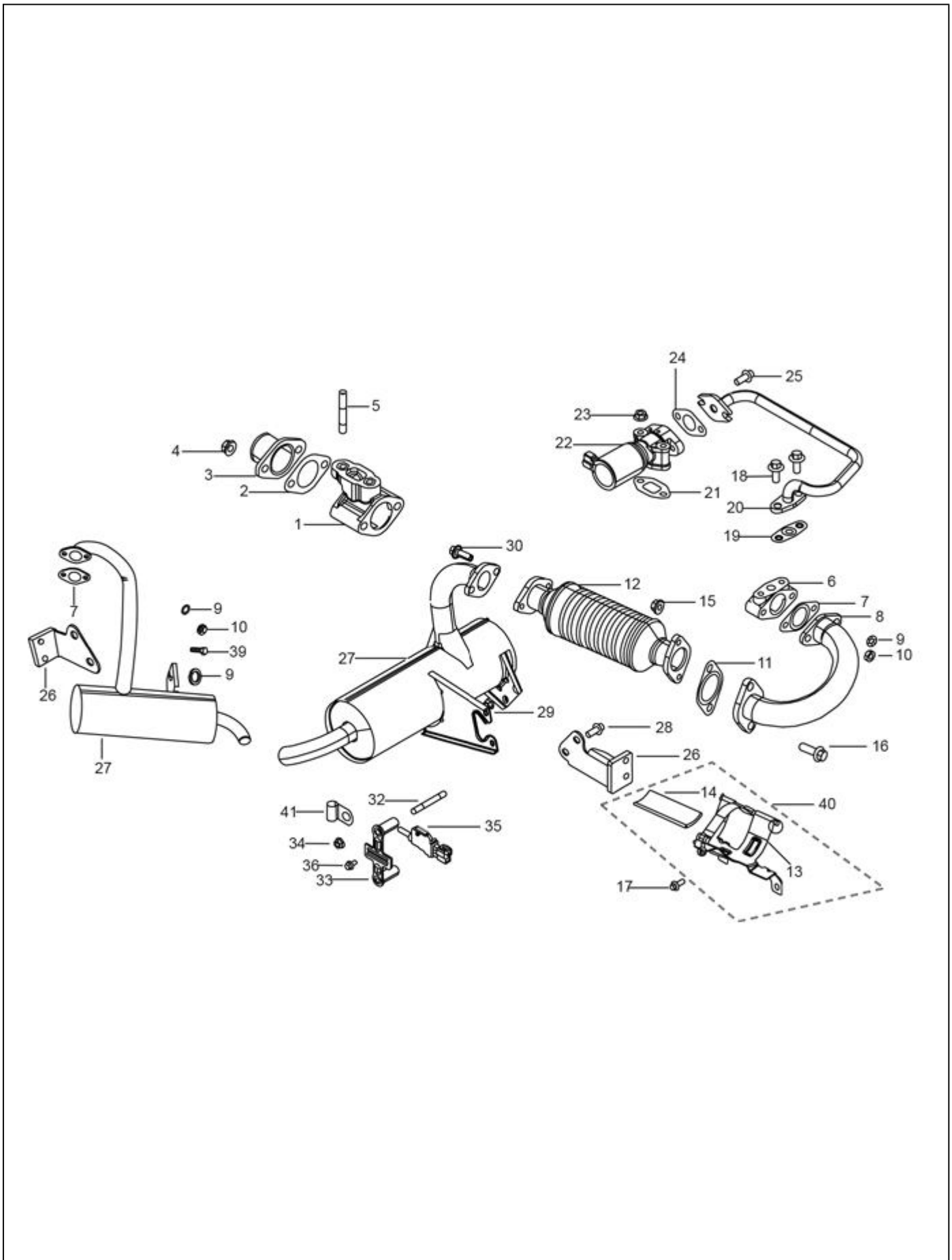


PLATE-10**ENGINE COWLING, AIR DUCT, EXHAUST SYSTEM**

Fig. No.	Part No.	Description	Qty	Remarks
1	E43508876	FLANGE INTAKE MACHINED	1	BSIII
2	E500450092	JOINT INTAKE FLANGE AIR INTAKE	2	Common
3	E50018633	FLANGE AIR CLEANER	1	BSIII
4	E07502810	COLLAR NUT M8 X 1.25	2	BSIII
5	E43500578	STUD-M8	2	BSIII
6	E43508875	FLANGE EXHAUST MACHINED	1	BSIII
7	E500450091	JOINT	1	BSII
7	E43526147	JOINT-EXHAUST FLANGE	2	BSIII
8	E43510825	PIPE-EXHAUST(EXHAUST FLANGE TO OXYCAT)	1	BSIII
9	E1756507	SPRING WASHER M8	2	BSIII
10	E50000225	NUT SS	2	BSIII
11	E87026113	GASKET EXHAUST	2	BSIII
12	E43517706	OXYCAT METALIC ASSY. DIA 80 MM	1	BSIII
13	E43518074	BRACKET-OXYCAT ASSEMBLY	1	BSIII
14	E43526171	THERMAL INSULATION 120X50X8	1	BSIII
15	E07502812	COLLAR NUT M10X1.5	4	BSIII
16	E43502821	HEX HEAD FLANGE BOLT M10X1.5X30	2	BSIII
17	E50002805	COLLER BOLT M8 X 1.25 X 22	2	BSIII
18	E07500509	STUD M8X1.25	2	BSIII
19	E43526150	GASKET(EXHAUST MANIFOLD-EGR PIPE)	1	BSIII
20	E43507357	PIPE - EGR (ON-OFF)	1	BSIII
21	E43526149	GASKET INTAKE FLANGE	1	BSIII
22	E43521744	SOLENOID VALVE	1	BSIII
23	E07502810	COLLAR NUT M8 X 1.25	2	BSIII
24	E43526151	GASKET(EGR VALVE-EGR PIPE)	1	BSIII
25	E50002805	COLLER BOLT M8 X 1.25 X 22	2	BSIII
26	ED41100	BRACKET EXHAUST MUFFLER	1	BSII
26	E43520672	BRACKET-MUFFLER (ENGINE SIDE)	1	BSIII
27	E50007715	EXHAUST MUFFLER	1	BSII
27	E43507784	ASSEMBLY MUFFLER	1	BSIII
28	E50002805	COLLER BOLT M8 X 1.25 X 22	2	BSIII
29	E07502810	COLLAR NUT M8 X 1.25	2	BSIII
30	E43502821	HEX HEAD FLANGE BOLT M10X1.5X30	2	BSIII
31	E40018626	AIR FILTER ASSY.	1	BSIII
32	E43521732	STUD M6X1 FOR EGR SWITCH	2	BSIII
33	E43521729	BRACKET ASSY FOR EGR SWITCH	1	BSIII
34	E07502811	COLLAR NUT M6 X 1	2	BSIII
35	E43521753	EGR SWITCH	1	BSIII
36	E43502822	HEX HEAD FLANGE BOLT M5X0.8X10	1	BSIII
37	E43518076	WIRING HARNESS(EGR GREAVES)	1	BSIII
38	E43521778	EGR SWITCH WITH WIRE HARNESS	1	BSIII
39	E1177004	BOLT	2	BSII

PLATE-10
ENGINE COWLING, AIR DUCT, EXHAUST SYSTEM

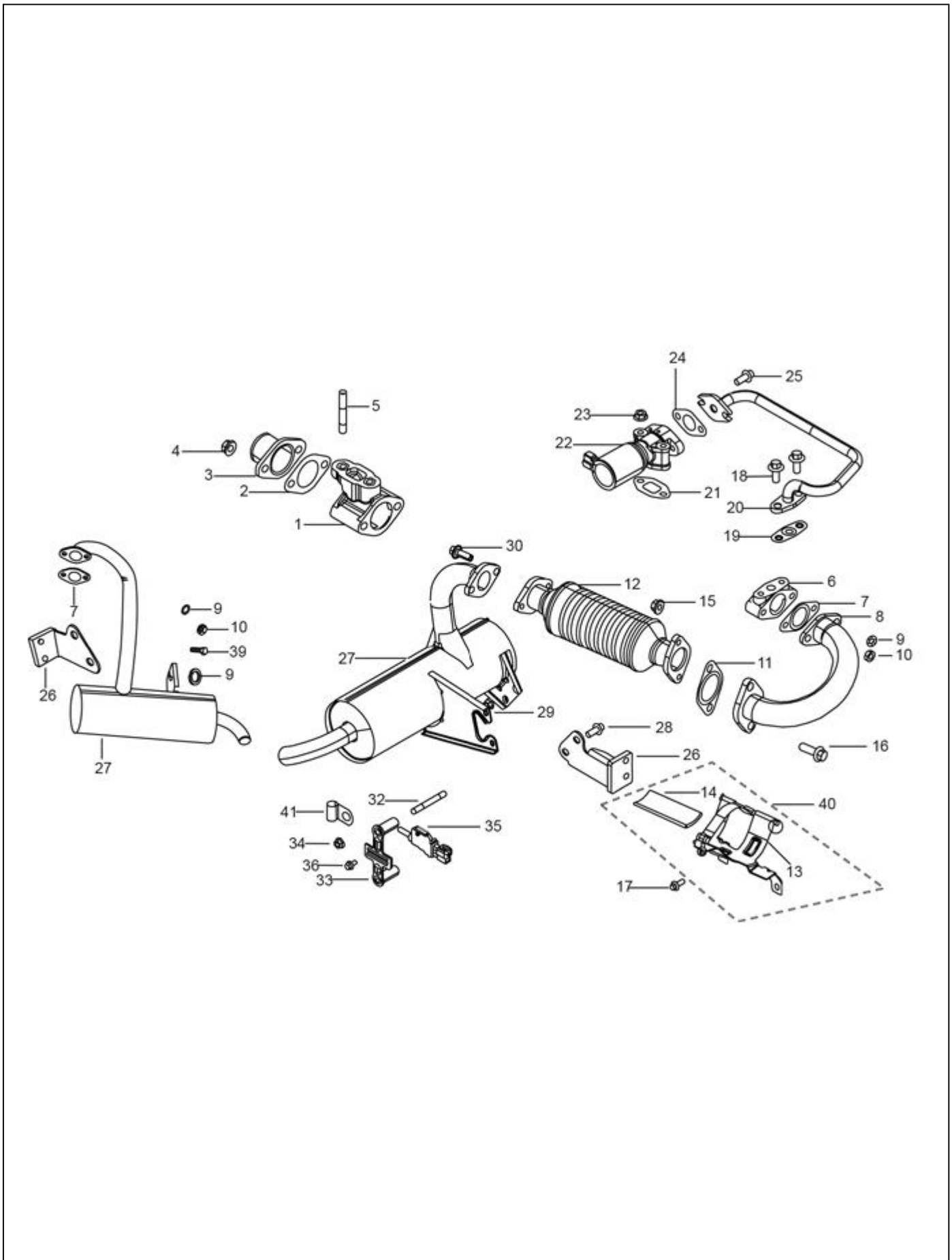


PLATE-10**ENGINE COWLING, AIR DUCT, EXHAUST SYSTEM**

Fig. No.	Part No.	Description	Qty	Remarks
40	E43518099	OXYCAT BKT & THERMAL INSULATION ASSLY.(1	1	BSIII
41	E6193361721	CLAMP	1	BSIII

PLATE-11

AIR SHROUD / FLYWHEEL / PULLEY / ELECTRIC START SYSTEM COMPONENTS

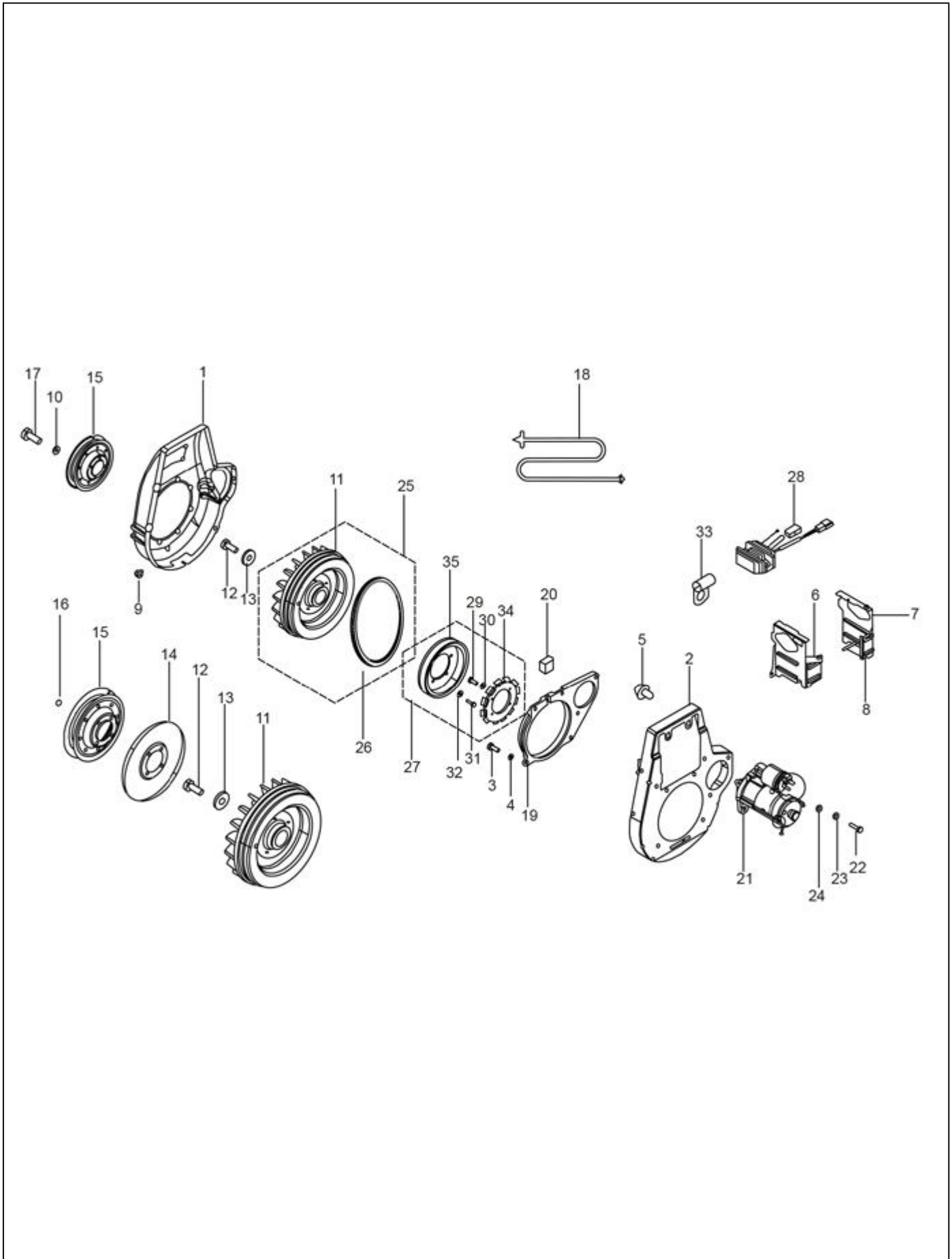


PLATE-11**AIR SHROUD / FLYWHEEL / PULLEY / ELECTRIC START SYSTEM COMPONENTS**

Fig. No.	Part No.	Description	Qty	Remarks
1	E43531743	AIR SHROUD (BLUE)	1	BSIII
1	E40001765	AIR COWL 0.7 KW	1	BSII
2	E43531725	BACK PLATE	1	BSIII
2	E40001763	BACK PLATE 0.7 KW	1	BSII
3	E9177006	BOLT M8X1.25X25	4	BSIII
3	E202177002	SCREW FOR STARTER PLATE	4	BSII
3	E40000477	SCREW STATOR MOUNTING	4	Common
4	E1756507	SPRING WASHER M8	2	Common
5	E11770004	HEX. BOLT M8X1.25X20	2	BSII
5	E43502817	HEX BOLT FLANGE M8 X 1.25 X 12	2	BSIII
6	E5505066198	AIR BAFFLE (INLET)	1	BSII
6	E40031733	AIR BAFFLE INTAKE SIDE	1	BSIII
7	E40031732	AIR BAFFLE EXHAUST SIDE(BLACK PAINTED) GL-400 II A	1	BSIII
7	E5505066199	AIR BAFFLE (EXHAUST)	1	BSII
8	E5405725043	SPRING AIR BAFFLE	1	Common
9	E90979037	PHILIPS SCREW	3	Common
10	E40000704	WASHER SPRING	4	Common
11	E40009567	FLYWHEEL WITH RING GEAR 0.7 KW (INEL FMA) DUST PROTECTOR	1	BSII
11	E43509593	FLY WHEEL WITH RING GEAR (CONSISTING OF 5 & 10)	1	BSIII
12	E52200434	SCREW HEX. HEAD M14X1.5X35 LH THREAD FLYWHEEL FIXING	1	Common
13	E97626043	PLAIN WASHER FLYWHEEL	1	Common
14	ED32131	GUARD PLATE	1	BSIII
15	E50007626	STARTING PULLEY (SHEET METAL)	1	Common
16	E260756505	SPRING WASHER (FOR SHEET METAL PULLEY)	4	Common
17	E50000164	BOLT	4	Common
18	E500405518	STARTING ROPE	1	Common
19	E40001773	PLATE STARTER	1	BSIII
20	E40005592	BUSH FOR FMA CABLE	1	BSIII
21	F002G20252	STARTER MOTOR 0.7 KW	1	BSII
21	F002G20318	STARTER MOTOR	1	BSII
21	F000CD0301	CDS STARTER MOTOR	1	BSIII
22	E47177007	SCREW M8X1.25X30	2	BSIII
23	E1756507	SPRING WASHER M8	2	BSIII
24	E45762512	PLAIN WASHER	2	BSIII
26	E40009648	RING GEAR STARTER 0.7 KW (INEL FMA)	1	Common
27	E40005489	FMA ASSEMBLY	1	BSIII
27	ED11989	FLYWHEEL MOUNTED ALTERNATOR INEL	1	BSII
28	ED33204	REGULATOR	1	BSIII
28	ED22158	REGULATOR GL400	1	BSII
29	E50020128	HEX HEAD SCREW M5X0.8	4	Common
30	E26756503	SPRING WASHER	4	BSII
31	E245176006	BOLT M6X1X20	5	BSIII

PLATE-11

AIR SHROUD / FLYWHEEL / PULLEY / ELECTRIC START SYSTEM COMPONENTS

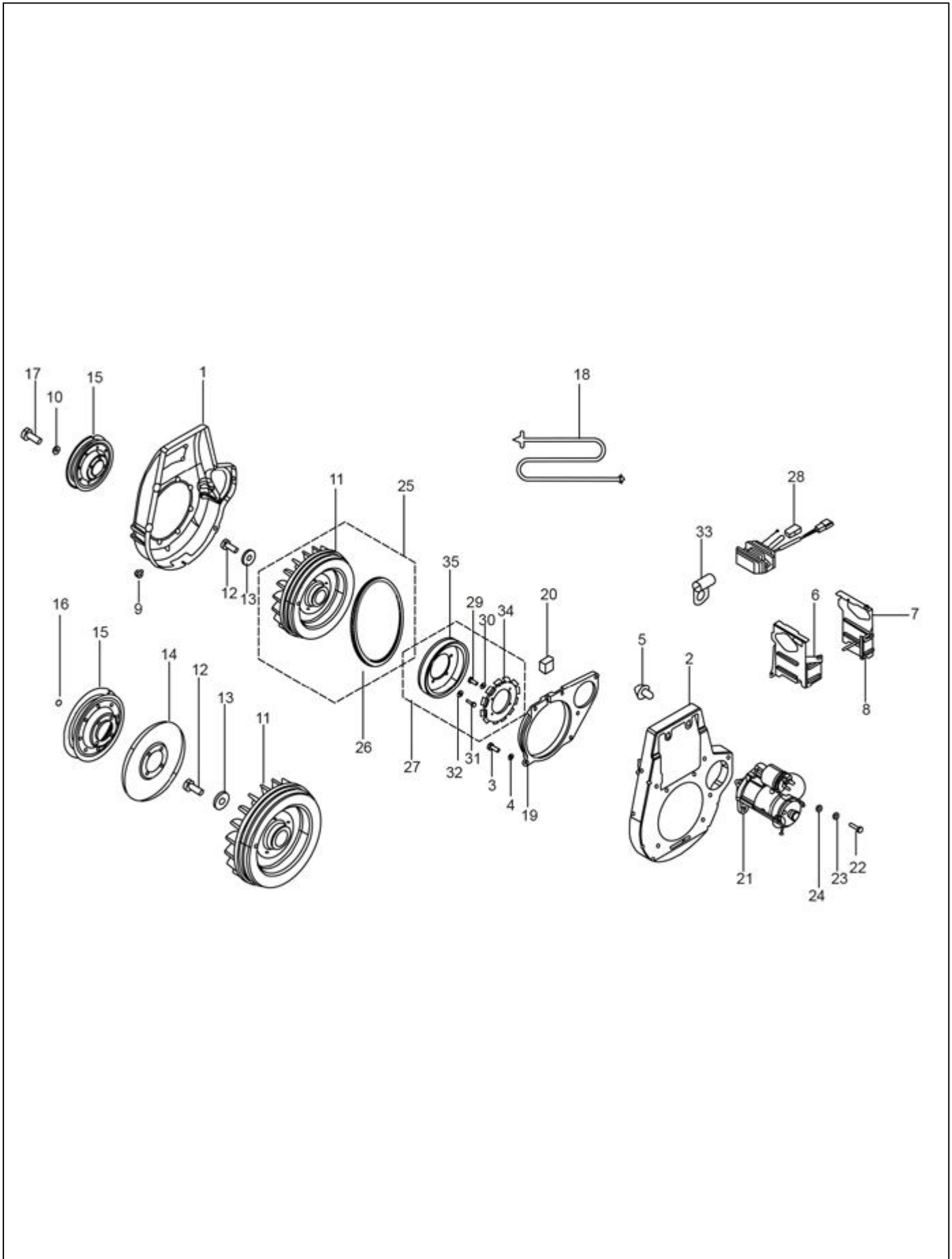


PLATE-11**AIR SHROUD / FLYWHEEL / PULLEY / ELECTRIC START SYSTEM COMPONENTS**

Fig. No.	Part No.	Description	Qty	Remarks
31	E270973015	HEX SOCKET HEAD SCREW	5	BSII
32	E1756504	SPRING WASHER M6- OIL SEPARATOR 2	5	BSIII
32	E250755504	SPRING WASHER FOR M6	5	BSII
33	E6193361721	CLAMP	3	Common
34	ED42188	STATOR INEL FMA	1	BSII
35	ED42189	ROTAR INEL FMA	1	BSII
36	587671R	4 ST RELAY SOLENOID	1	Common
37	E2922833073	SPACER	1	BSII
37	ED42246	SPACER FR PULLEY	1	BSIII
38	E50000405	SCREW	1	BSII
39	E40000565	STUD FOR PULLEY	4	BSIII
40	E1324010	NUT	4	BSII

PLATE-12
AIR FILTER ASSEMBLY

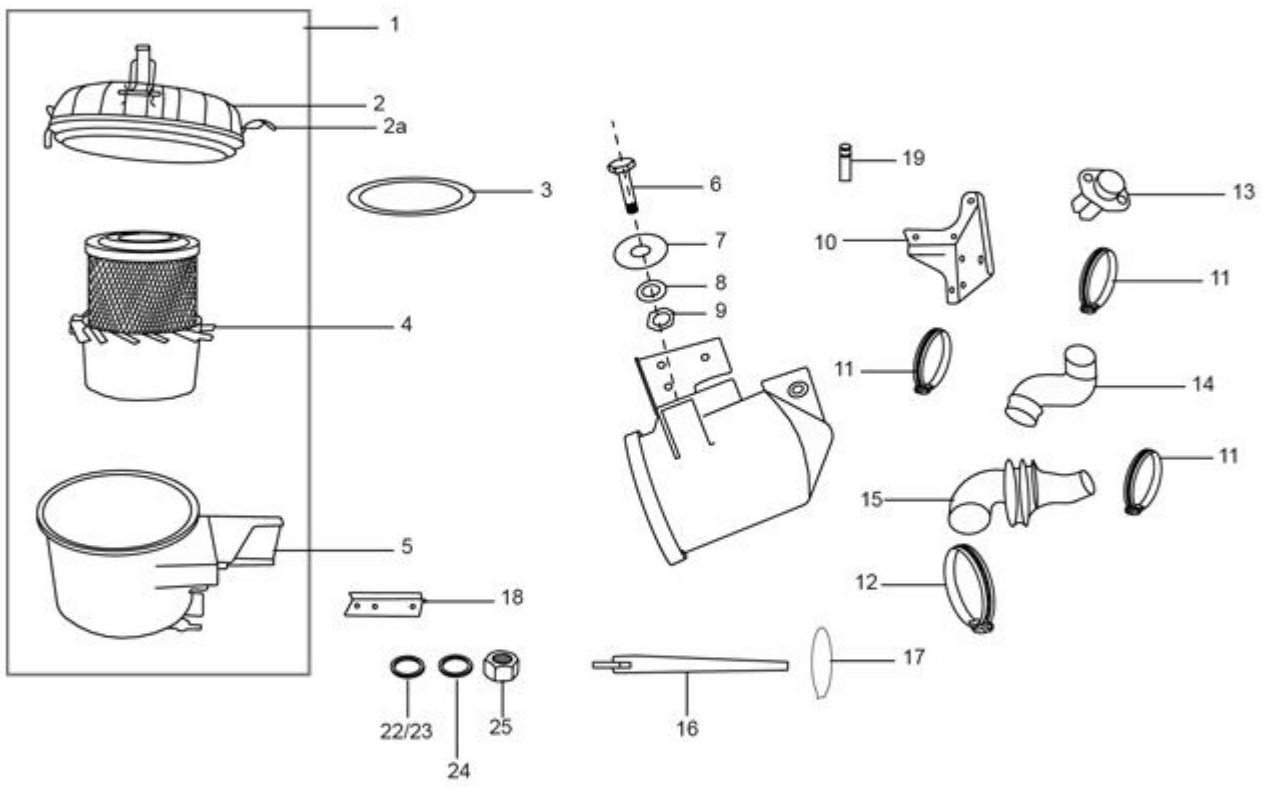


PLATE-12**AIR FILTER ASSEMBLY**

Fig. No.	Part No.	Description	Qty	Remarks
1	E40018625	AIR FILTER ASSYPLASTIC MODIFIED SEALING	1	Common
1	E40018626	AIR FILTER ASSY.	1	Common
2	632425	COVER ENINETECH AIR FILTER	1	BSII
2	920086	FILTER COVER	1	BSIII
2A	920088	CLAMP	1	Common
3	632427	O RING	1	BSII
3	920105	SPONGE GASKET O RING)	1	BSIII
4	632428	ELEMENT (ENINETECH)	1	BSII
4	920102	ELEMENT FOR AIR CLEANER	1	BSIII
5	920085	FILTER HOUSING	1	BSIII
6	31090	HEX SCREW	3	BSIII
7	604973	PLAIN WASHER M6	3	Common
8	16406	SPRING WASHER	3	Common
9	20106	HEX NUT M6	3	Common
10	604750	BRACKET FOR ENINETECH FILTER	1	Common
11	604553	WORM CLIP	3	Common
12	604756	HOSE CLIP	1	BSIII
13	611621	PLASTIC FLANGE ENINETECH (N.I.)	1	BSIII
14	611620	HOSE FOR FLANGE ENINETECH	1	Common
15	611619	HOSE ENGINE - ENINETECH	1	Common
16	632415	STRAP ASSY.	1	Common
16	B009290	STRAP ASSY.	1	BSIII
17	632413	RUBBER PACKING (N.I.)	1	Common
18	632412	BKT. STRAP HOLDING	1	BSIII
19	632426	DUST VALVE (ENINETECH)	1	BSII
19	920087	DUST VALUE	1	BSIII
20	230560	SPACER	3	Common
21	632424	KNOB (ENINETECH)	1	BSII
22	3056	PLAIN WASHER	2	Common
23	13880	METALIC PLAIN WASHER	2	Common
24	16406	SPRING WASHER	4	Common
25	20106	HEX NUT M6	4	Common
26	79375	RUBBER BUMPER	3	Common

PLATE-13
ENGINE SIDE COVER AND MAIN HOUSING

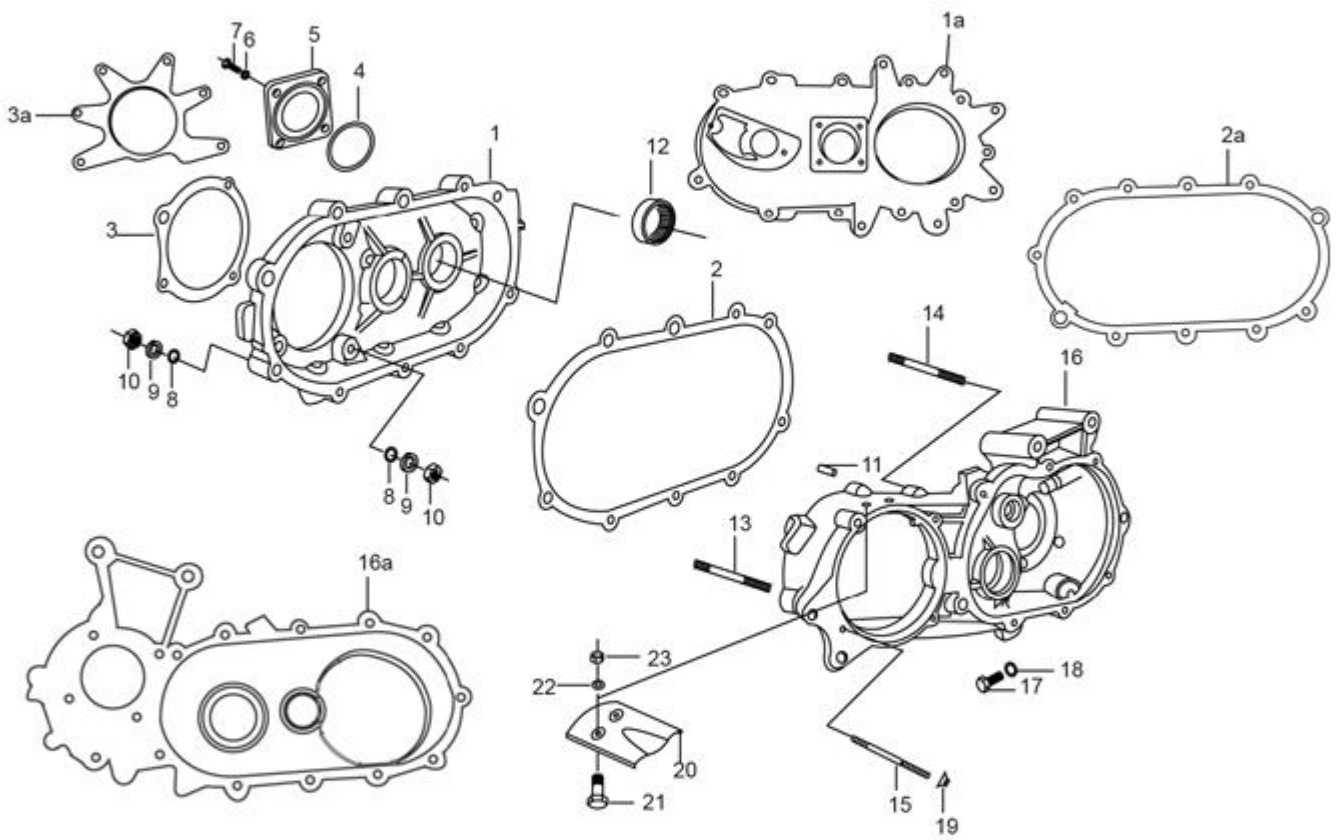


PLATE-13**ENGINE SIDE COVER AND MAIN HOUSING**

Fig. No.	Part No.	Description	Qty	Remarks
1	127171011	ENGINE SIDE COVER (INT.MTG.)	1	
1A	127171310	ENGINE SIDE COVER (EXT. MTG)	1	
2	128071012	GASKET ENGINE SIDE COVER (10 STUD)	1	
2A	B001844	GASKET ENGINE SIDE COVER	1	
3	129001014	GASKET ENGINE PTO FACE (4 STUD)	1	
3A	B001501	GASKET PTO COVER & ENGINE SIDE COVER	1	
4	825420215	O RING - COVER PLATE	1	
5	520221019R	COVER PLATE (E/SIDE COVER)	1	
6	807000647	CONICAL LOCK WASHER M6	4	
7	812061656	CSK PHILIPS HEAD SCREW M6 X 16	4	
8	808000826	PLAIN WASHER M8	11	
8	808000826	PLAIN WASHER M8	10	
9	16408	SPRING WASHER M8	11	
9	16408	SPRING WASHER M8	10	
10	15335	HEX HD NUT M8	11	
10	15335	HEX HD NUT M8	10	
11	127102010	HOLLOW DOWEL (G. BOX ESC)	2	
12	120212012	NEEDLE BUSH	1	
13	815084520	STUD M8 X 45	2	
13	815084520	STUD M8 X 45	8	
14	815084025	STUD M8 X 40	9	
14	815084025	STUD M8 X 40	8	
15	815064025	STUD M6 X 40	4	
16	127101016	MAIN HSG.	1	
16	127109018	MAIN HOUSING (INT.MTG)	1	
16A	127119013	MAIN HOUSING (EXT.MTG)	1	
17	811081025	HEX HEAD SCREW M8 X 10 (DRAIN PLUG)	1	
18	120271018	FIBER WASHER DRAIN PLUG	1	
19	659842	NUT WITH CONICAL WASHER M8 X 1.25P	6	
20	127911019	OIL DEFLECTOR CLUTCH	1	
21	567741	HEX HEAD SCREW M5 X 18 (811051824)	2	
22	127912013	FIBER WASHER OIL DEFLECTOR	2	
23	12136	NUT / NYLOCK NUT M5	2	
24	B002322	GEAR BOX EXTERNAL MTG. (W/O CLUTCH ASSLY) PICK UP	1	

PLATE-14
MAINSHAFT, SPEED GEARS AND CLUSTER GEAR

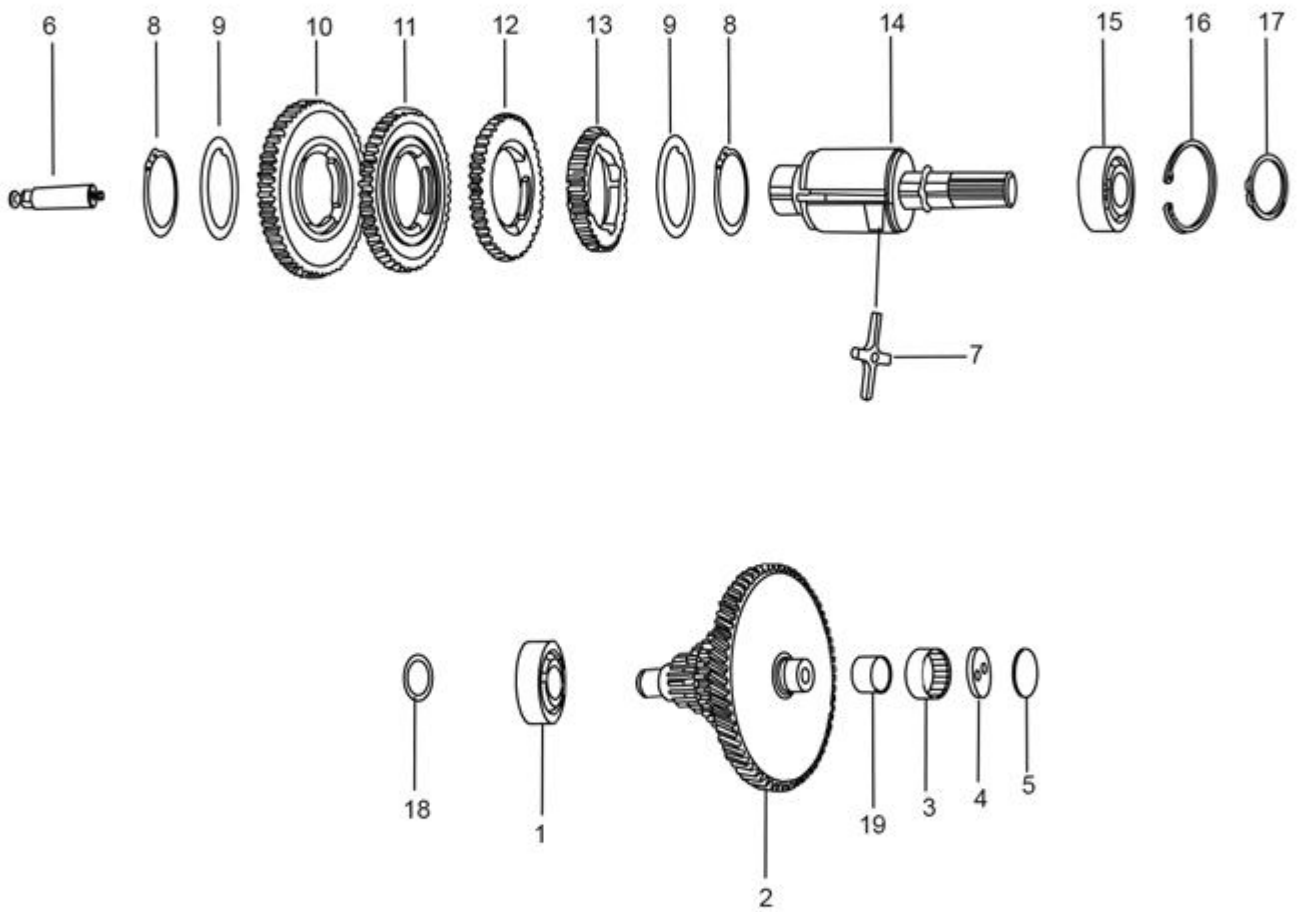


PLATE-14**MAINSHAFT, SPEED GEARS AND CLUSTER GEAR**

Fig. No.	Part No.	Description	Qty	Remarks
1	30209R	BALL BEARING FRONT WHEEL HUB	1	
2	127203010R	CLUSTER GEAR	1	
3	884222808	NEEDLE BUSH 22X28X12	1	
4	120204015	WASHER	1	
5	120205019	SHIM HARD BUSH	1	
6	523021018	STEM GEAR OPERATING	1	
7	B003924	CROSS	1	
8	842004808	CIRCLIP DIA.48 (EXT)	2	
9	523011013R	SHOULDER RING	2	
9	523012017	SHOULDER RING 1.7 MM THK	1	
9	523014015	SHOULDER RING 2.0MM THK	1	
10	127309515R	SPEED GEAR 1ST	1	
11	127302517R	SPEED GEAR 2ND	1	
12	127303016R	SPEED GEAR 3RD	1	
13	127306513R	SPEED GEAR 4TH	1	
14	127451019R	MAIN SHAFT	1	
15	880255211R	DEEP GROOVE BALL BEARING 25X52X15	1	
16	841005207	CIRCLIP DIA 52 (INT)	1	
17	842002501	CIRCLIP DIA 25 (EXT)	1	
18	842001507	CIRCLIP DIA 15 (EXT)	1	
19	122032014	INNER RING - CLUSTER GEAR	1	

PLATE-15
GEAR SHIFTER AND ITS CONTROL MECHANISM

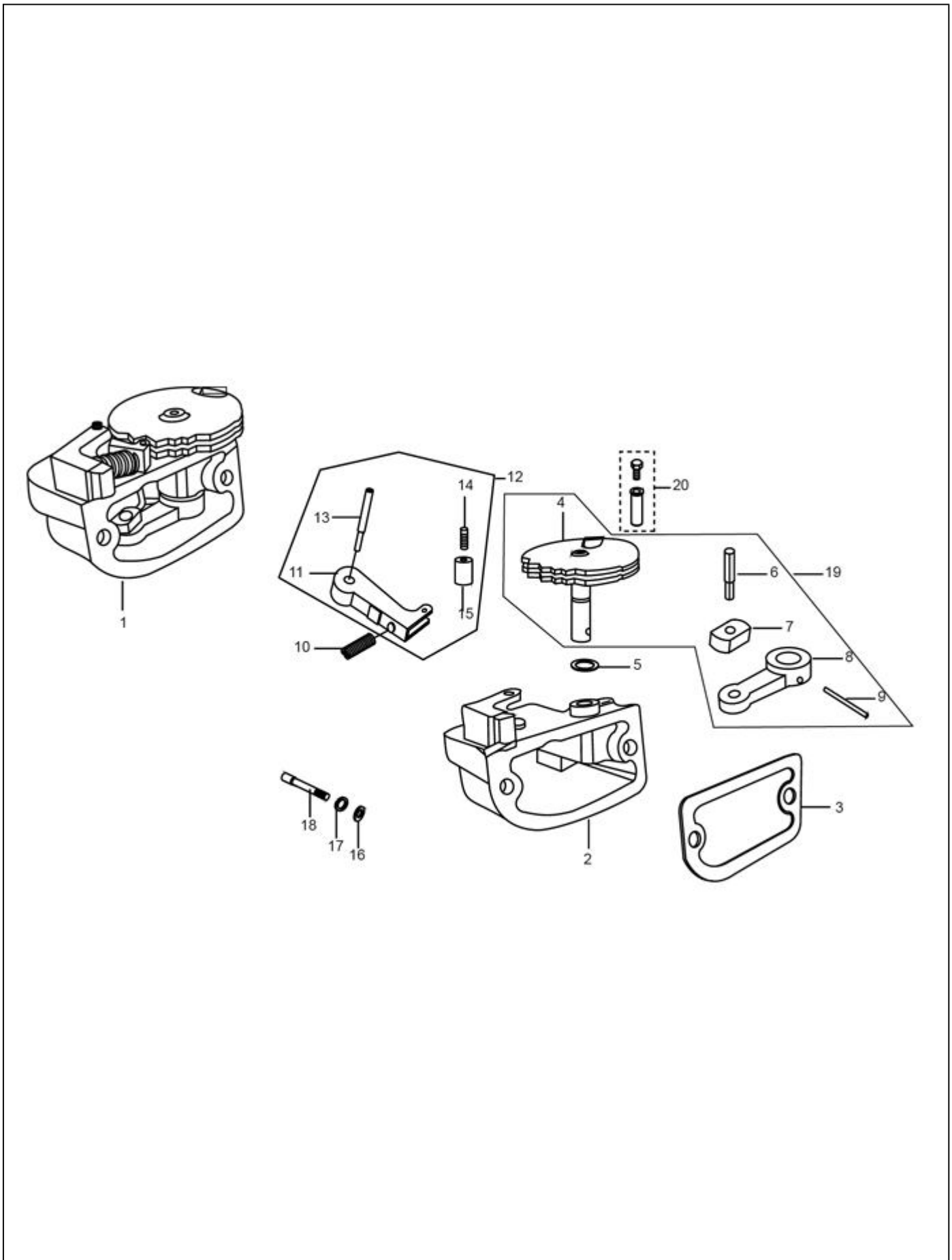


PLATE-15**GEAR SHIFTER AND ITS CONTROL MECHANISM**

Fig. No.	Part No.	Description	Qty	Remarks
1	127640012	COMPLETE GEAR SHIFTER HSG ASSLY	1	
2	127641016	GEAR SHIFTER HOUSING	1	
3	128081017	GASKET HOUSING GEAR SHIFTER HOUSING	1	
4	127660012	SECTOR CONNECTOR PLATE WITH PIN ASSY.	1	
5	825080209	O - RING - (SECTOR PLATE ASSY.)	1	
6	126022017	PIN FOR SLIDER BLOCK	1	
7	126021013	SLIDER BLOCK	1	
8	526023017	GEAR SHIFTER LEVER	1	
9	126004015	TAPER PIN (FOR LEVER)	1	
10	126003011	SPRING GEAR SHIFTER ASSY.	1	
11	126060019	BRACKET ASSY.	1	
12	126050014	BKT. WITH ROLLER ASSY. CONSISTING OF SR.N.11,13-15	1	
13	126054010	SCREW FOR BRACKET	1	
14	126053016	PIN FOR ROLLER	1	
15	126052012	ROLLER	1	
16	3056	PLAIN WASHER	2	
17	16406	SPRING WASHER	2	
18	819064530	SOCKET HEAD CAP SCREW M6X45	2	
19	127650017	SECTOR; CONNECTOR PLATE AND LEVER ASSY. (NI)	1	
20	604560	SCREW TERMINAL ASSY. - GEAR CONTROL	2	

PLATE-16

DIFFERENTIAL UNIT, FARE METER HOUSING AND SPEEDO DRIVE

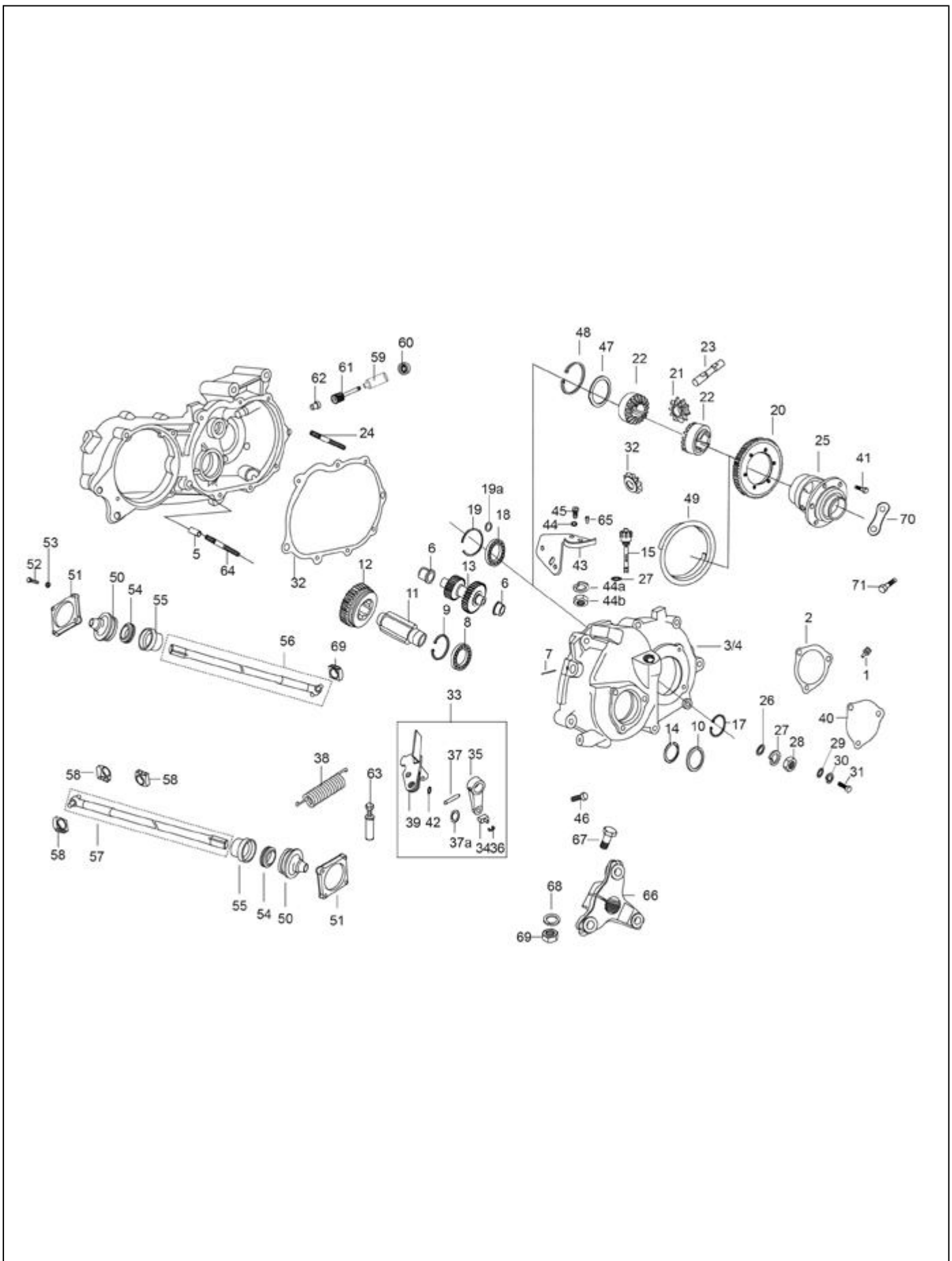


PLATE-16**DIFFERENTIAL UNIT, FARE METER HOUSING AND SPEEDO DRIVE**

Fig. No.	Part No.	Description	Qty	Remarks
1	165121014	PIN	1	
2	165031013	GASKET-SPEEDO DRIVE HOUSING	1	
3	127121016	GEAR BOX COVER	1	
4	127112015	GEAR BOX COVER	1	
5	120203011	HOLLOW DOWEL - GEAR BOX COVER	2	
6	120302013	BUSH	2	
7	822051647	SPRING PIN 5X16	1	
8	880305509R	DEEP GROOVE BALL BEARING 30X55X13	1	
9	841005207	CIRCLIP DIA 52 (INT)	1	
9	841005506	CIRCLIP DIA. 55 (INT)	1	
10	888472578	OIL SEAL GEAR BOX	1	
10	888472671	OIL SEAL (30X52X7)	1	
11	127501010	SHAFT PINION	1	
11	127503018	SHAFT PINION (MODIFIED)	1	
12	227403011R	R.C. GEAR (CARGO)	1	
13	227571014R	IDLER GEAR (CARGO)	1	
14	842002501	CIRCLIP DIA 25 (EXT)	1	
14	842003000	CIRCLIP DIA. 30 (EXT.)	1	
15	112898	OIL LEVEL ARM WITH PLUG	1	
16	127016015	DIPSTICK SEALING WASHER	1	
17	6450	EXT CIRCLIP DIA 48	1	
18	7066	BALL BRG TATA 16010	1	
19	111353	CIRCLIP	1	
19A	16406	SPRING WASHER	1	
20	227555010	GEAR F.D.(CARGO)	1	
21	165155R	DIFFERENTIAL GEAR	2	NS
22	132136R	GEAR SUN	2	NS
23	132129	PIN	1	
24	815084520	STUD M8 X 45	8	
25	288730	DIFFERENTIAL CAGE	1	
26	808000826	PLAIN WASHER M8	8	
27	16408	SPRING WASHER M8	8	
28	20108	HEX NUT M8	8	
28	15335	HEX HD NUT M8	10	
28	20108	HEX NUT M8	8	
29	3056	PLAIN WASHER	3	
30	16406	SPRING WASHER	3	
31	31088	HEX HD SCREW M6 X 16 CL 8.8 (811061623)	3	
32	127141016	GASKET G. B. COVER	1	
33	228050017	LEVER & SECTOR ASSY.	1	
34	120321019	SLIDER BLOCK R.C. GEAR	1	
35	120322013	LEVER (R C GEAR) (41929)	1	

PLATE-16

DIFFERENTIAL UNIT, FARE METER HOUSING AND SPEEDO DRIVE

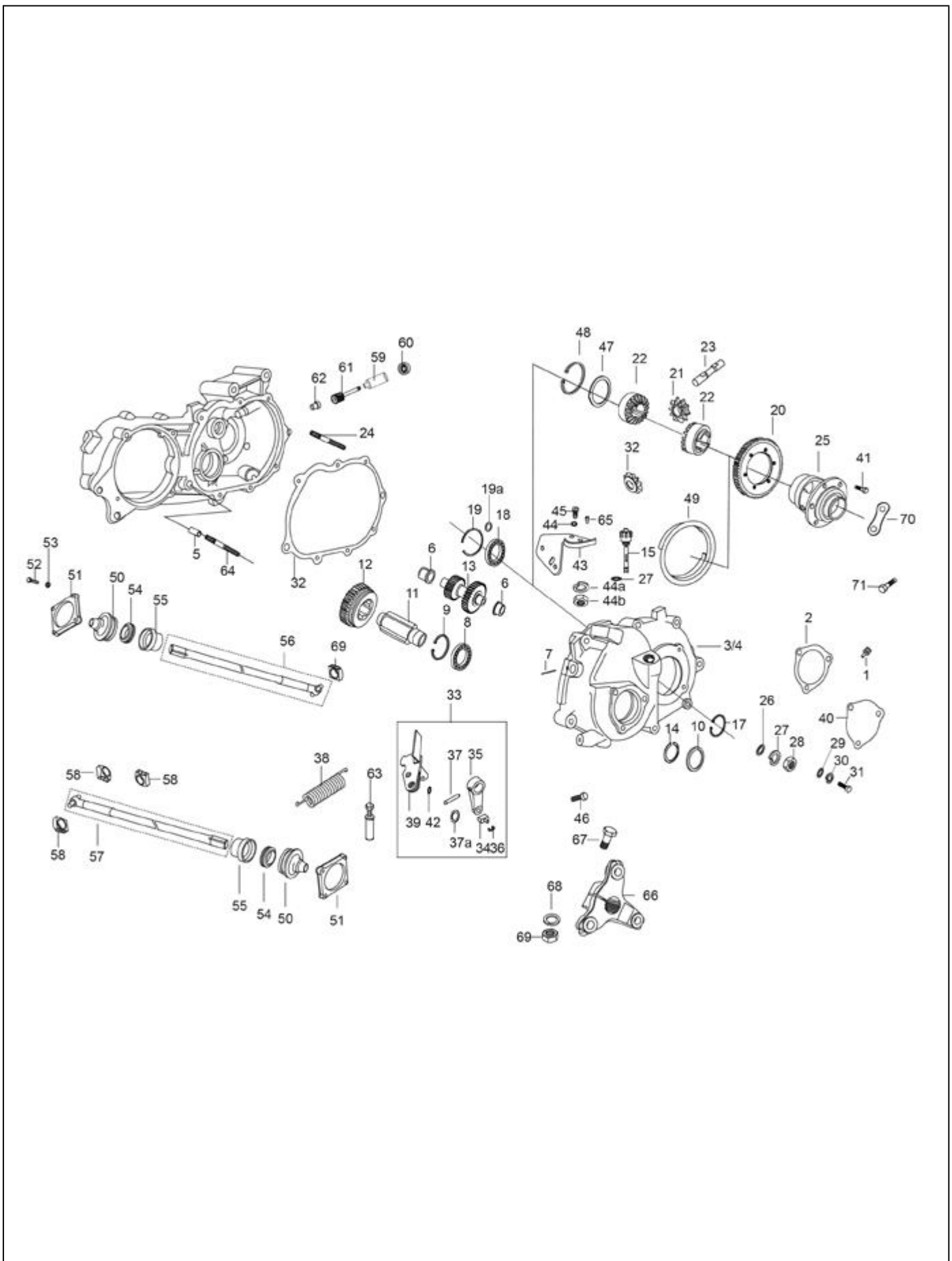


PLATE-16**DIFFERENTIAL UNIT, FARE METER HOUSING AND SPEEDO DRIVE**

Fig. No.	Part No.	Description	Qty	Remarks
36	843000500	CIRCLIP DIA.5 (EXT) TYPE C	1	
36	843000500	CIRCLIP DIA.5 (EXT) TYPE C	1	
37	17702	SPRING PIN	1	
37A	632191	O - RING	1	
38	127111011	REVERSE GEAR SPRING	1	
39	128060013	SECTOR PLATE ASSY. COMPLETE	1	
40	220364010	COVER PLATE (DIFF. COVER)- V. E.	1	
41	B003163	HEX SCREW	6	
42	825080209	O - RING - (SECTOR PLATE ASSY.)	1	
43	128306015	STOPPER PLATE R.C. LEVER	1	
44	16404	SPRING WASHER M4	2	
44A	3054	PLAIN WASHER	2	
44B	20104	HEX NUT M4	2	
45	31088	HEX HD SCREW M6 X 16 CL 8.8 (811061623)	2	
46	128307019	BOLT R.C. SPRING RETAINING	1	
47	220575	WASHER 65X3	1	
48	132134	CIRCLIP	1	
49	132244	STOPPER THK=1.0	1	
50	198618	BELLOW	2	
51	111356	COVER	2	
52	31092	HEX. HD SCREW M6X25	8	
53	16406	SPRING WASHER	8	
54	183511	OIL RING	2	
55	113278	BRACKET RETAINER RING (41736)	2	
56	587687	PROP. SHAFT SUB ASSY. LT (WITH PIN)	1	
57	587685	PROP. SHAFT SUB ASSY. RT (WITH PIN)	1	
58	112867R	SLIDER BLOCK PROP. SHAFT	4	
59	117401	BUSH	1	
60	117402	OIL SEAL	1	
61	117404	SPEEDOMETER GEAR	1	
62	165121014	PIN	1	
63	604560	SCREW TERMINAL ASSY. - GEAR CONTROL	1	
64	127103014	M8 STUD - MAIN HOUSING	2	
65	119278	TERMINAL	1	
66	111498	ELASTIC HUB	1	
67	B024614	HEX HEAD BOLT M10X45 CL 10.9	2	
68	16410	SPRING WASHER	2	
69	231370	SELF BREAKING NUT M10	2	
70	B003155	LOCK PLATE	3	
71	B003163	HEX SCREW	3	

PLATE-17
CLUTCH AND CLUTCH COVER

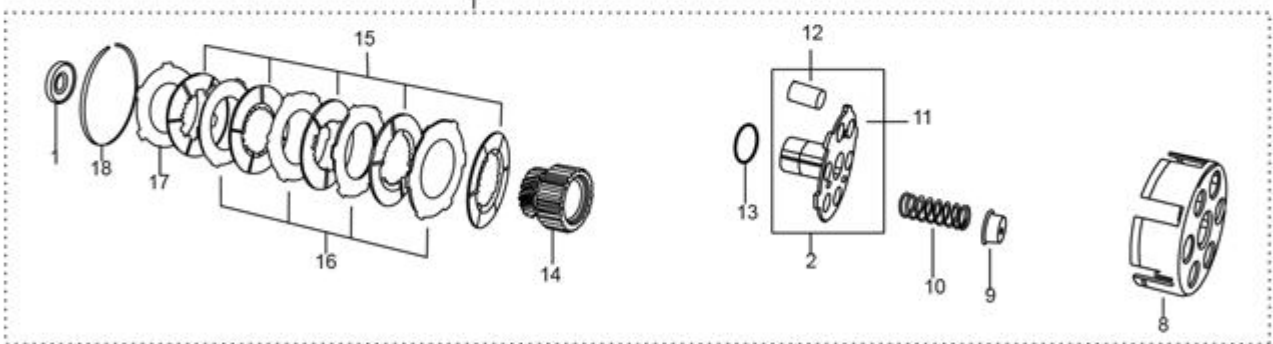
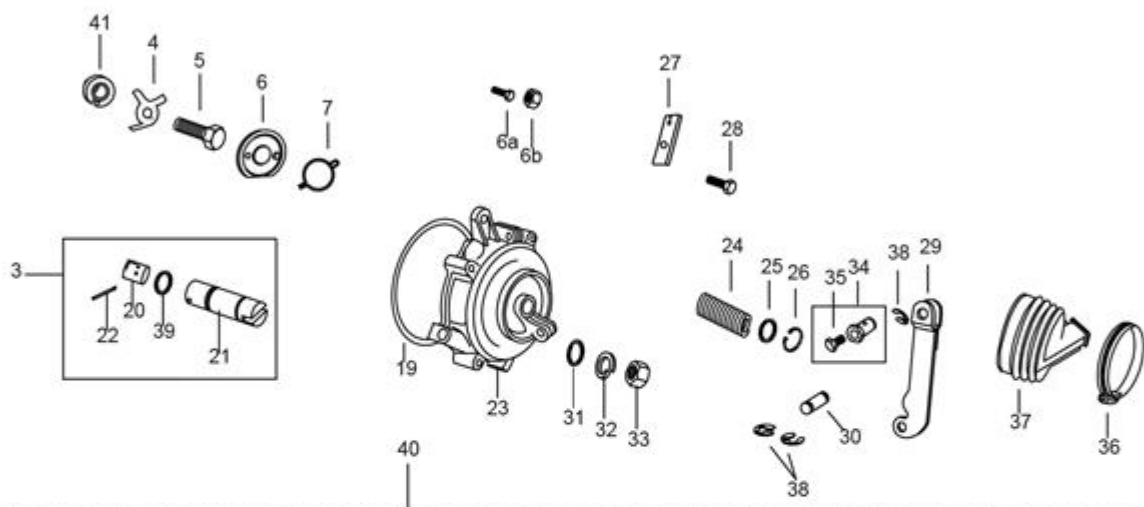


PLATE-17**CLUTCH AND CLUTCH COVER**

Fig. No.	Part No.	Description	Qty	Remarks
1	652124	SPACER WASHER-CLUTCH	1	
2	127740018	CLUTCH SHAFT ASSY.	1	
3	127290013	PLUNGER SHAFT ASSY.	1	
4	129012013	TAB WASHER	1	
5	E47177007	SCREW M8X1.25X30	1	
6	129019011R	THRUST PLATE(SINTERED)	1	
6A	567741	HEX HEAD SCREW M5 X 18 (811051824)	4	
6B	20106	HEX NUT M6	4	
7	129015015	SPRING CLIP	1	
8	127753015	CLUTCH BOX	1	
8	127691011	CLUTCH BOX	1	
9	127757011	CUP - CLUTCH SPRING	6	
10	127755013	SPRING CLUTCH	6	
11	652112	CLUTCH SHAFT -	1	
12	127741012	BUSH SINTERED -	1	
13	127758015	SHIM	1	
14	127759019R	ENGINE GEAR	1	
15	127530011	DRIVEN PLATE ASLY	5	
16	127692015	DRIVING PLATE THK. 2.0 MM	4	
17	127693019	PRESSURE PLATE OUTER (VE)	1	
18	127754019	CIRCLIP - CLUTCH BOX	1	
19	825123207	O - RING CLUTCH COVER	1	
20	120159014	PLUNGER	1	
21	127182010	PLUNGER SHAFT -	1	
22	822031942	SPRING PIN 3 X 19	1	
23	127794019	CLUTCH COVER (IMPROVED)	1	
24	127185012	SPRING - CLUTCH COVER	1	
25	120164019	RETAINING PLATE	1	
26	842001600	CIRCLIP DIA.16(EXT)	1	
27	127471019	BRACKET CLUTCH CABLE GUIDE	1	
28	31092	HEX. HD SCREW M6X25	1	
29	127460010	LINK ASSLY - CLUTCH (IMPROVED)	1	
30	127013013	PIN CLUTCH	1	
31	3056	PLAIN WASHER	4	
32	16406	SPRING WASHER	4	
33	20106	HEX NUT M6	4	
34	B024379	SCREW TERMINAL ASSLY-ENGINE STOP,D.C.	1	
35	120238016	BOLT FOR SCREW TERMINAL	1	
36	120170018	HOSE CLIP - CLUTCH COVER BELOW	1	
37	127012019	BELLOW CLUTCH ACTUATING	1	
38	843000809	CIRCLIP DIA.8(EXT) TYPE C	3	
39	825120308	O - RING (PLUNGER SHAFT)	1	

PLATE-17
CLUTCH AND CLUTCH COVER

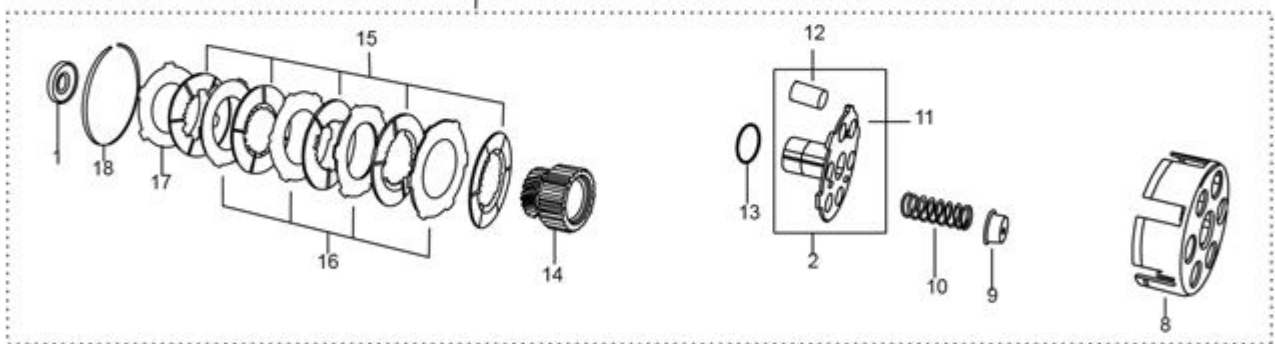
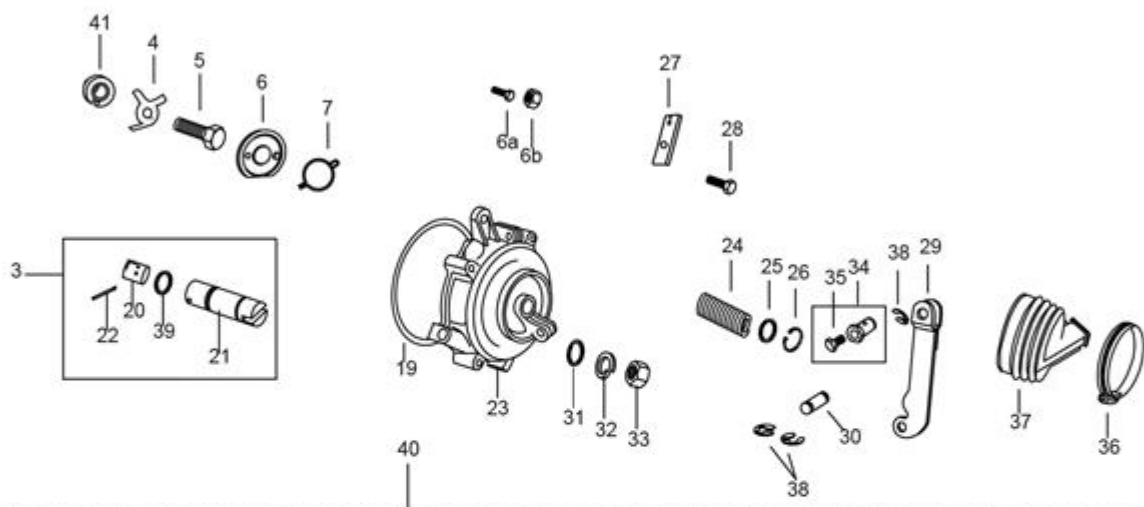


PLATE-17**CLUTCH AND CLUTCH COVER**

Fig. No.	Part No.	Description	Qty	Remarks
40	127730013	CLUTCH ASSLY COMP.(IMPROVED)	1	
41	129011019	WASHER FOR CLUTCH ASSY.	1	

PLATE-18
ENGINE SUPPORT

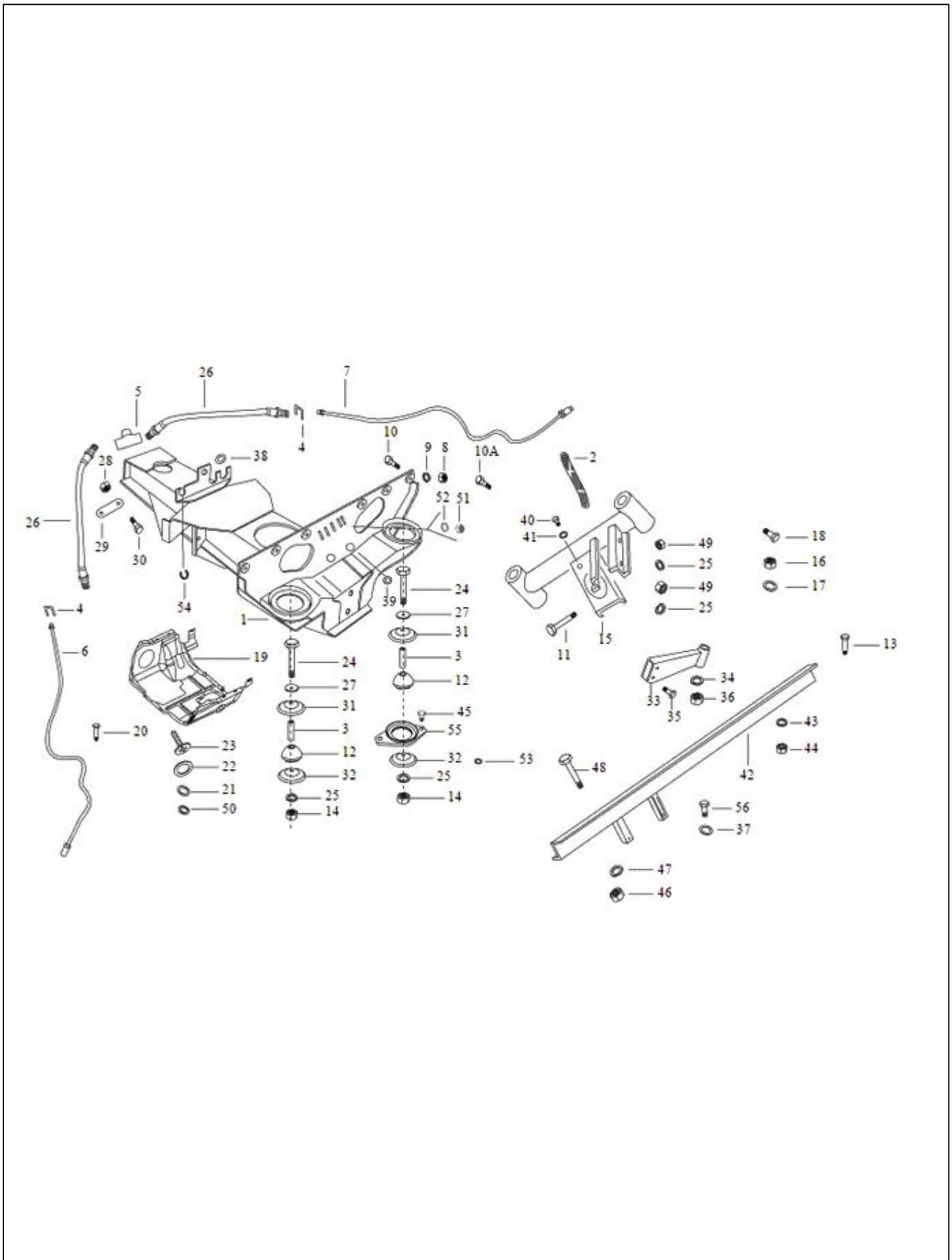


PLATE-18
ENGINE SUPPORT

Fig. No.	Part No.	Description	Qty	Remarks
1	587576	FRAME ASSY. SUSPENSION & ENGINE SUPPORT	1	
2	644839R	EARTHING CABLE	1	
3	569241	SPACER	3	
4	136916	PLATE FOR RETAINING THE BRAKE FLEX. PIPE	3	
5	643692	THREE WAY UNION	1	
6	644813	BRAKE PUMP TUBE OF LEFT REAR WHEEL	1	
7	644812	BRAKE PUMP TUBE OF RIGHT REAR WHEEL	1	
8	20108	HEX NUT M8	6	
9	16408	SPRING WASHER M8	6	
10	31119	HEX HD SCREW M8 X 25	6	
10A	632247	HEX HDD SCREW M10X30 CC8.8	2	
11	604948	HEX.HDD BOLT M8 X 110 WITH POINTING	2	
12	265091	DUMPER ENGINE MTG.	3	
13	272178	HEX. HDD BOLT M8 X 122 CL 10.9	1	
14	15335	HEX HD NUT M8	3	
15	643711R	FRT CROSS MEMBER ASSY. ENG. MTG.	1	
16	231370	SELF BREAKING NUT M10	2	
17	286328	PLAIN WASHER 20X10.2X2	2	
18	568689	HEX HEAD BOLT M10X100	2	
19	569182	ENGINE COVER	1	
20	604606	HEX HD. SCREW M5X20 CL8.8	2	
21	3055	RAW WASHER(808000527)	3	
22	6078	PLAIN WASHER 12 X 5.2 X 1	3	
23	15911	PAN SELF TAP SCREW 8SG X 16 AB	6	
24	272178	HEX. HDD BOLT M8 X 122 CL 10.9	2	
25	16408	SPRING WASHER M8	3	
26	587624	BRAKE OIL HOSE	2	
27	2383	PLAIN WASHER M20X8.5X2	4	
28	15235	NYLOCK NUT M10	2	
29	632299	PLATE	2	
30	31159	HEX HD SCREW M10 X 35 CC 8.8	2	
31	569377	PLATE	2	
32	569244	PLATE	2	
33	587533	SUPPORT ARM ENGINE RR SUB-ASSLY WITH IP	1	
34	16410	SPRING WASHER	2	
35	B024614	HEX HEAD BOLT M10X45 CL 10.9	2	
36	20110	HEX NUT M10	2	
37	286328	PLAIN WASHER 20X10.2X2	6	
38	178610	GROMMET	1	
39	15478	GROMMET4	2	
40	31116	HEX HD. SCREW M8X16	3	
41	3058	PLAIN WASHER 15X8.4X1.5	1	

PLATE-18
ENGINE SUPPORT

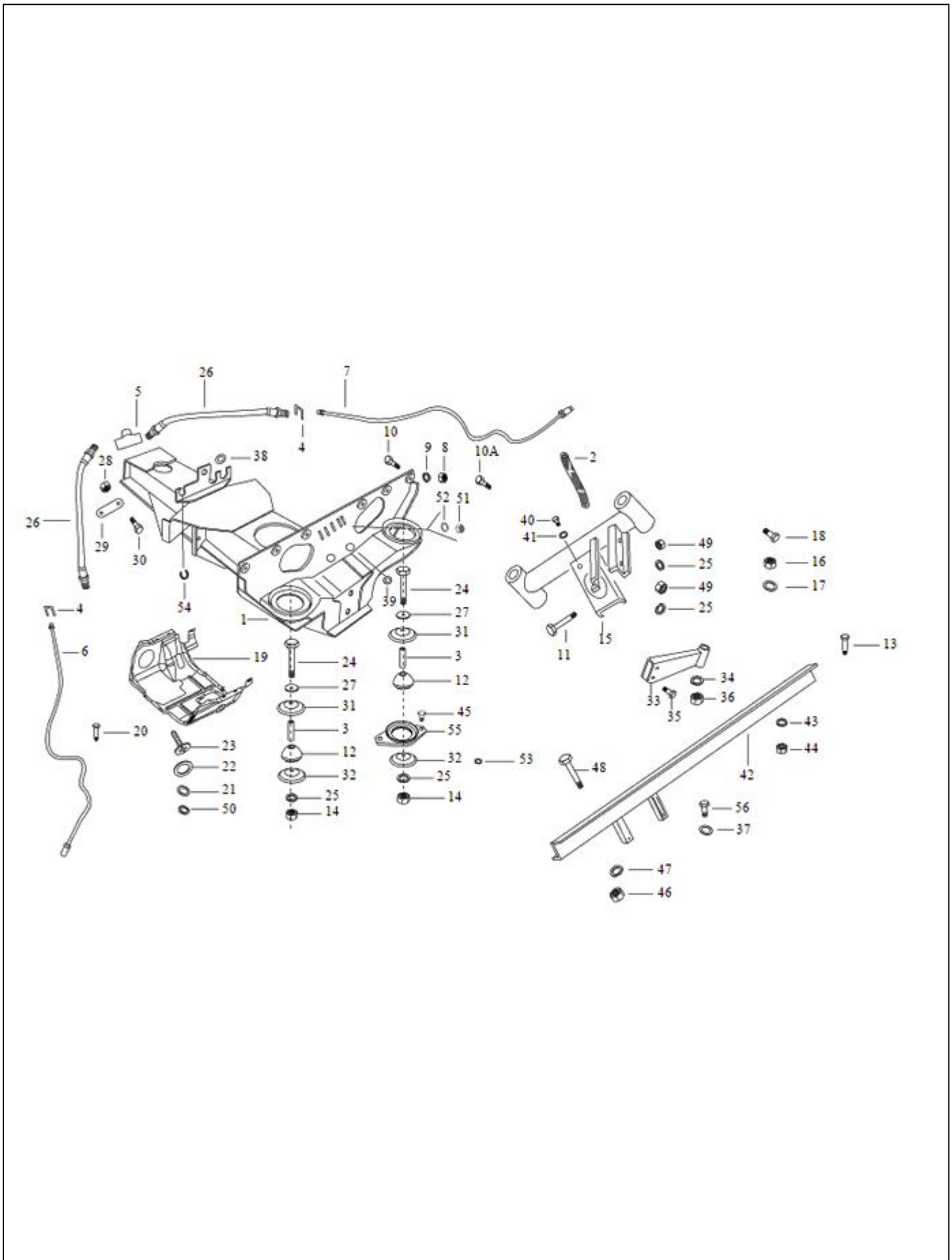


PLATE-18
ENGINE SUPPORT

Fig. No.	Part No.	Description	Qty	Remarks
42	661573	CROSS MEMBER - CARGO (ENG. SUPPORT REAR SUB. ASSY.)	1	
43	16408	SPRING WASHER M8	2	
44	20108	HEX NUT M8	2	
45	31118	SCREW M8X20	2	
46	20108	HEX NUT M8	4	
47	16410	SPRING WASHER	6	
48	568260	HEX HD BOLT M8X160 CL 8.8	2	
49	20110	HEX NUT M10	4	
50	16405	SPRING WASHER M5	2	
51	20105	HEX NUT M5	2	
52	3055	RAW WASHER(808000527)	2	
52	6078	PLAIN WASHER 12 X 5.2 X 1	2	
53	286328	PLAIN WASHER 20X10.2X2	2	
54	568140	GROMMET	1	
55	567524	REAR RUBBER BUMPER SUPPORT	2	
56	31154	HEX HDD SCREW M10X22 CL 8.8	2	

PLATE-19

CHASSIS FRAME, FUEL TANK & SEAT



PLATE-19**CHASSIS FRAME, FUEL TANK & SEAT**

Fig. No.	Part No.	Description	Qty	Remarks
1	109012	WIND SHIELD PACKING	1	
2	587963	LAMINATED WINDSHIELD GLASS	1	
2	109011	TOUGHENED WINDSCREEN	1	
3	B024170	DIESEL TANK CAP WITH KEY	1	
4	643776	FUEL TANK ASSLY WITH TANK UNIT (VE)	1	
5	13880	METALIC PLAIN WASHER	4	
6	16406	SPRING WASHER	4	
7	31088	HEX HD SCREW M6 X 16 CL 8.8 (811061623)	4	
8	604761	PACKING SLIDING GLASS WINDOW	1	
9	604751	CABIN REAR WINDOW	1	
10	644852	DRIVER BACK REST (CARGO) (VE)	1	
10	661627	DRIVER BACK REST (PASS.) (VE)	1	
11	16405	SPRING WASHER M5	4	
12	16603	PLAIN WASHER (METALLIC)	4	
13	604606	HEX HD. SCREW M5X20 CL8.8	4	
14	567562	SEAT SUPPORT PIPE (COMM)	1	
15	632997	COMM. DRIVER SEAT ASSY.	1	
16	31119	HEX HD SCREW M8 X 25	2	
17	3058	PLAIN WASHER 15X8.4X1.5	2	
18	16408	SPRING WASHER M8	2	
19	20108	HEX NUT M8	2	
20	567878R	TANK UNIT	1	
21	16405	SPRING WASHER M5	6	
22	31054	HEX HD. SCREW M5X10 CL8.8	6	
23	587763	BREATHER PIPE	1	
24	B003736BW	PICK UP CHASSIS WITH CAB DOORS BSIII-BW	1	BSIII
24	B003736CB	PICK UP CHASSIS WITH CAB DOORS BSIII-CB	1	BSIII
24	B003736GY	PICK UP CHASSIS WITH CAB DOORS BSIII-GY	1	BSIII
24	B003736SY	PICK UP CHASSIS WITH CAB DOORS BSIII-SY	1	BSIII
24	B003736WR	PICK UP CHASSIS WITH CAB DOORS BSIII-WR	1	BSIII
25	B002551	WINDSCREEN FRAME UPGRADE	1	
26	128009	CAPSULE	1	
27	128010	CAP	1	
28	568682	FASTENER	2	
29	190255	GROMMET (LONG MEMBER)	5	
30	125998	PLUG	5	
31	568131	PLUG DOME DIA. 21 MM - CAB BEHIND HL	4	
32	568717	GROMMET ENGINE COMP. DOOR	7	
33	105392	GROMMET	1	
34	568154	CUT GROMMET FOR HORN	1	
35	B001386	HEX HEAD SCREW M5X20	9	
36	16405	SPRING WASHER M5	9	

PLATE-19

CHASSIS FRAME, FUEL TANK & SEAT



PLATE-19**CHASSIS FRAME, FUEL TANK & SEAT**

Fig. No.	Part No.	Description	Qty	Remarks
37	20105	HEX NUT M5	9	
38	30072	HEX HEAD BOLT M8 X 35	2	
39	13861	PLAIN WASHER 20X8.2X2.5	2	
40	16408	SPRING WASHER M8	2	
41	118447	FRONT PACKING	2	
42	925888	RUBBER GASKET FOR TANK UNIT	1	
43	109012	WIND SHIELD PACKING	1	

PLATE-20
INNER PARTS OF CABIN

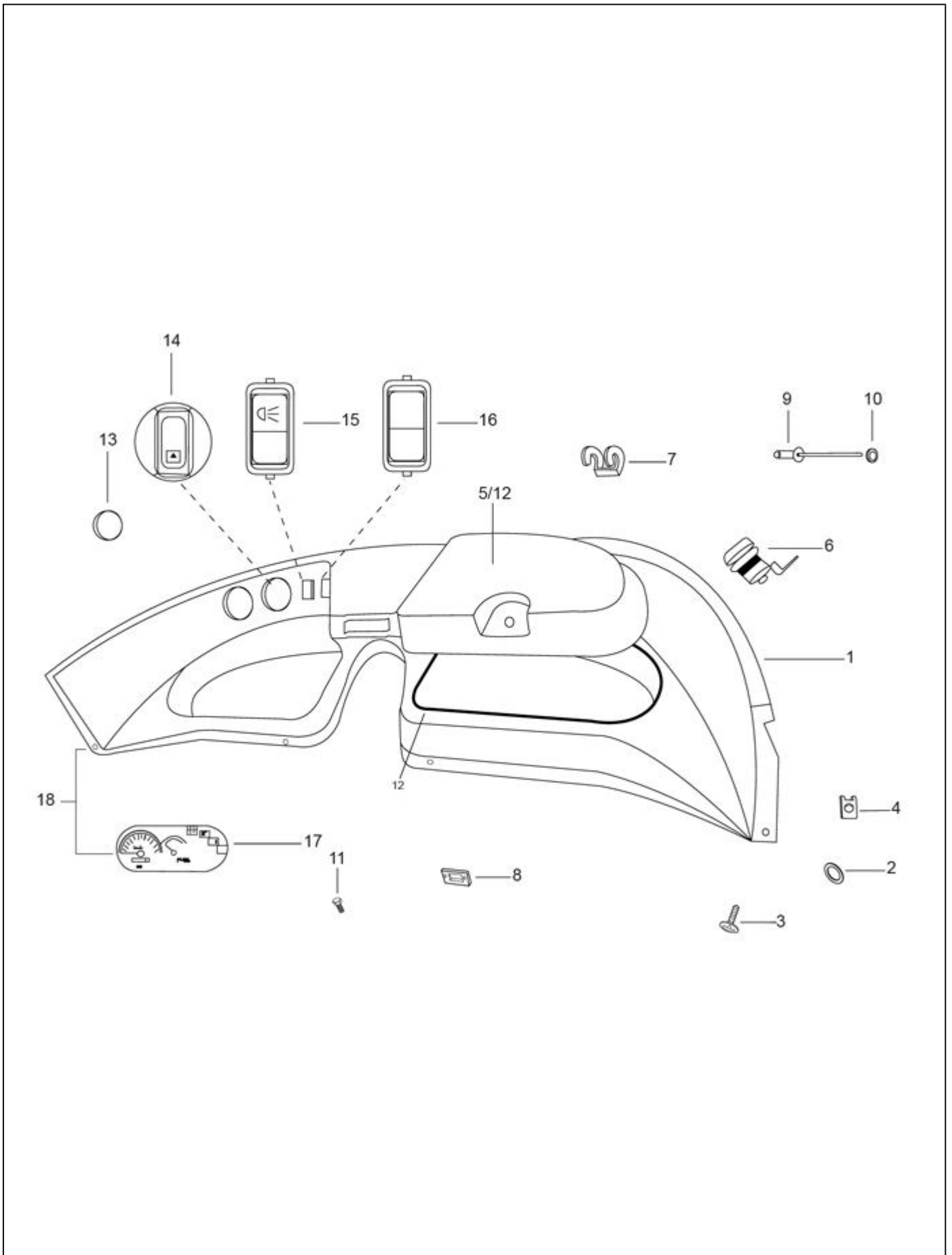


PLATE-20**INNER PARTS OF CABIN**

Fig. No.	Part No.	Description	Qty	Remarks
1	B041524	DASHBOARD S/A WITH GLOVE BOX COVER	1	
1	B041522	DASHBOARD (NS)	1	
2	16670	PLAIN WASHER 12X4.5X1	4	
3	15911	PAN SELF TAP SCREW 8SG X 16 AB	4	
4	8080	SPRING PLATE	4	
5	B041535	COVER; GLOVE BOX (NS)	1	
6	B024169	GLOVE BOX LOCK WITH KEY	1	
7	605389	HINGE	1	
8	643691	BOLT LOCK PLATE	1	
9	567893	POP RIVET 4 X 9.5	4	
10	3054	PLAIN WASHER	8	
11	660168	PAN SELF TP. SCREW 10 SGX13AB	4	
12	568671	GASKET - GLOW BOX COVER (N.I.)	4	
13	604984	CAP DASH BOARD	2	
14	587670R	SWITCH 3 POSITION	1	
15	660826R	HAZARD WARNING SWITCH WITH CROWN CAP (12V)(VE)	1	
16	587974R	WIPER MOTOR SWITCH/ SWITCH WIPER MOTOR	1	
17	661510R	INSTRUMENT CLUSTER WITH SHIFTED SPEEDOMETER - (INDICATION)	1	
18	B073298	DASH BOARD ASSLY. 501- DOMESTIC	1	

PLATE-21
CHASSIS COMPONENTS

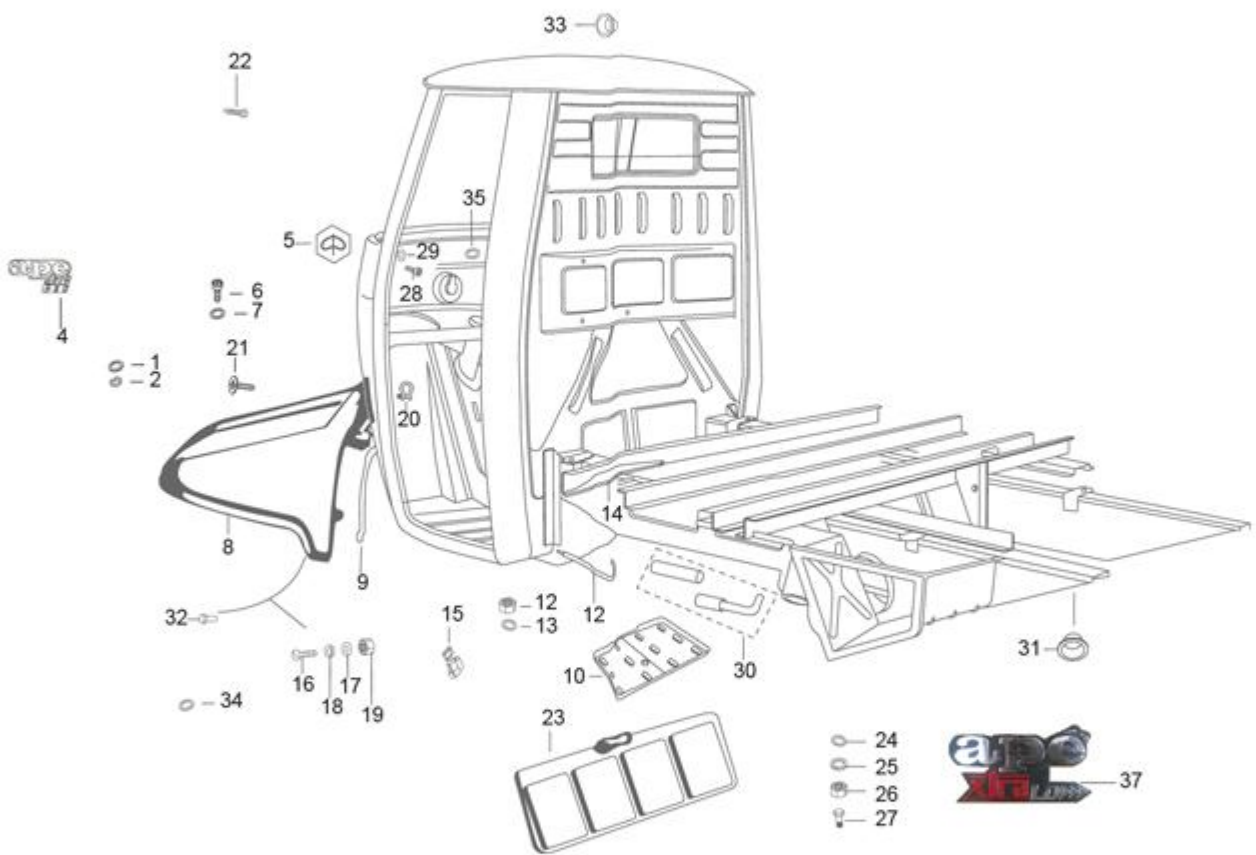


PLATE-21**CHASSIS COMPONENTS**

Fig. No.	Part No.	Description	Qty	Remarks
1	14034	'O' RING	3	
2	568741	LOCK WASHER	3	
3	604972	PIVOT GASKET-APE LOGO PLATE	3	
4	587969	NAME PLATE APE AUTO 3 D S	1	
5	587966	HEX EMBLEM	1	
6	15727	PAN SELF TAPPING SCREW	2	
7	B008167	PL WASHER 12X3.2X1	2	
8	183138R	FRONT MUDGUARD VE	1	
8	B042611	FRONT MUD GUARD APE CLASSIC NEW	1	
9	568702	GASKET-FRT MUDGUARD TOP	2	
9	568703	GASKET FOR FRONT MUDGUARD	2	
10	567520	BATTERY TRAY	1	
11	604954	TENSION ROD	1	
12	3058	PLAIN WASHER 15X8.4X1.5	1	
13	20108	HEX NUT M8	1	
14	604691	ANGLE BAR ASSLY	1	
15	B024179	SPARE WHEEL LOCK WITH KEY	1	
16	31092	HEX. HD SCREW M6X25	2	
17	13880	METALIC PLAIN WASHER	12	
18	78307	BENT SPRING WASHER M6	6	
19	20106	HEX NUT M6	6	
20	157716	SCREW ANCHORE	3	
21	18630	PAN SELF TAP SCREW 6SG X 25AB	3	
22	8265	SELF TAPPING SCREW	2	
23	116103	MUD FLAP FRONT	1	
24	13880	METALIC PLAIN WASHER	4	
25	16406	SPRING WASHER	4	
26	20106	HEX NUT M6	4	
27	31088	HEX HD SCREW M6 X 16 CL 8.8 (811061623)	4	
28	15727	PAN SELF TAPPING SCREW	2	
29	3054	PLAIN WASHER	2	
30	632508	TENSION ROD ASSY. (BATTERY MOUNTING.)	1	
31	568131	PLUG DOME DIA. 21 MM - CAB BEHIND HL	2	
32	31089	HEX HEAD SCREW M6X18 CL 8.8	4	
33	568288	PLUG CAB ROOF	6	
34	B008167	PL WASHER 12X3.2X1	2	
35	660750	DOOR STICKER XTRA (LIGHT COLOR)	2	
36	660790	DOOR STICKER XTRA (DARK COLOUR) NI	2	
37	660751	PLATE FRONT DOME	1	

PLATE-22
RUBBER MAT, REAR MUDGUARD



PLATE-22**RUBBER MAT, REAR MUDGUARD**

Fig. No.	Part No.	Description	Qty	Remarks
1	643685R	OUTER REAR VIEW MIRROR LH ASSY.	1	
1	643684R	OUTER REAR VIEW MIRROR RH ASSY.	1	
2	16408	SPRING WASHER M8	2	
2	12540	SPRING WASHER M8	2	
3	30072	HEX HEAD BOLT M8 X 35	2	
4	20108	HEX NUT M8	2	
5	190393	RIM COVERAGE JOINT	1	
5	B024645	RIM COVERAGE JOINT	1	
5A	14034	'O' RING	1	
5B	15911	PAN SELF TAP SCREW 8SG X 16 AB	2	
6	190462	PLATE ASSY.	5	
7	3054	PLAIN WASHER	5	
8	20104	HEX NUT M4	5	
9	632604	GASKET FRONT DOOR OPENING	1	
10	193705	DOOR UPPER PACKING	2	
11	193707	REAR PACKING ,DOOR	2	
12	116839	TOW HOOK	1	
13	8432	SCREW FOR FIXING PARKING LAMP ASSY./PAN SEY TP SC	6	
14	661634	PROTECTION GUIDE (LH) -VE	1	
14	661635	PROTECTION GUIDE (RH) -VE	1	
15	190465	TERMINAL	2	
15	B024855	TERMINAL	2	
16	15911	PAN SELF TAP SCREW 8SG X 16 AB	2	
17	76227	GROMMET	1	
18	182149	REAR MUDGUARD	1	
19	B042612	REAR MUDGUARD RH/LH	1	
19A	567592	WASHER	8	NI
20	604603	RIVET	8	
21	142424	MUDFLAP FOR RR MUDGUARD	1	
22	587662	CARPET	1	
23	414948	KNOB CARPET	4	
24	142425	BUTTON	4	
25	B024179	SPARE WHEEL LOCK WITH KEY	1	
26	568741	LOCK WASHER	3	
27	B002199	PACKING SOUND DAMPNER	12	
28	190462	PLATE ASSY.	5	
28A	190479	JACK ASSY. COMPONENT	5	
29	8455	SCREW/PANSELF TAPPING SCREW	1	
30	3055	RAW WASHER(808000527)	1	
30A	6078	PLAIN WASHER 12 X 5.2 X 1	2	
31	645141	BOTTLE CARRIER STAND	1	
32	31058	HEX HEAD SCREW M5 X 16 CC8.8	2	

PLATE-22
RUBBER MAT, REAR MUDGUARD



PLATE-22**RUBBER MAT, REAR MUDGUARD**

Fig. No.	Part No.	Description	Qty	Remarks
33	16405	SPRING WASHER M5	4	
34	20105	HEX NUT M5	7	
35	14628	CSK SELF TP.SCREW 6SG X 16 AB	10	
36	3055	RAW WASHER(808000527)	7	
36	568135	WASHER(NI PLATED)	10	
37	587961	PROFILE SECTION SHORT FOR CARPET	1	
37	587962	PROFILE	1	
38	16405	SPRING WASHER M5	7	
39	12540	SPRING WASHER M8	2	
40	13861	PLAIN WASHER 20X8.2X2.5	2	
41	20108	HEX NUT M8	2	
42	30072	HEX HEAD BOLT M8 X 35	2	

PLATE-23
DOORS, TOOLS AND WHEELS

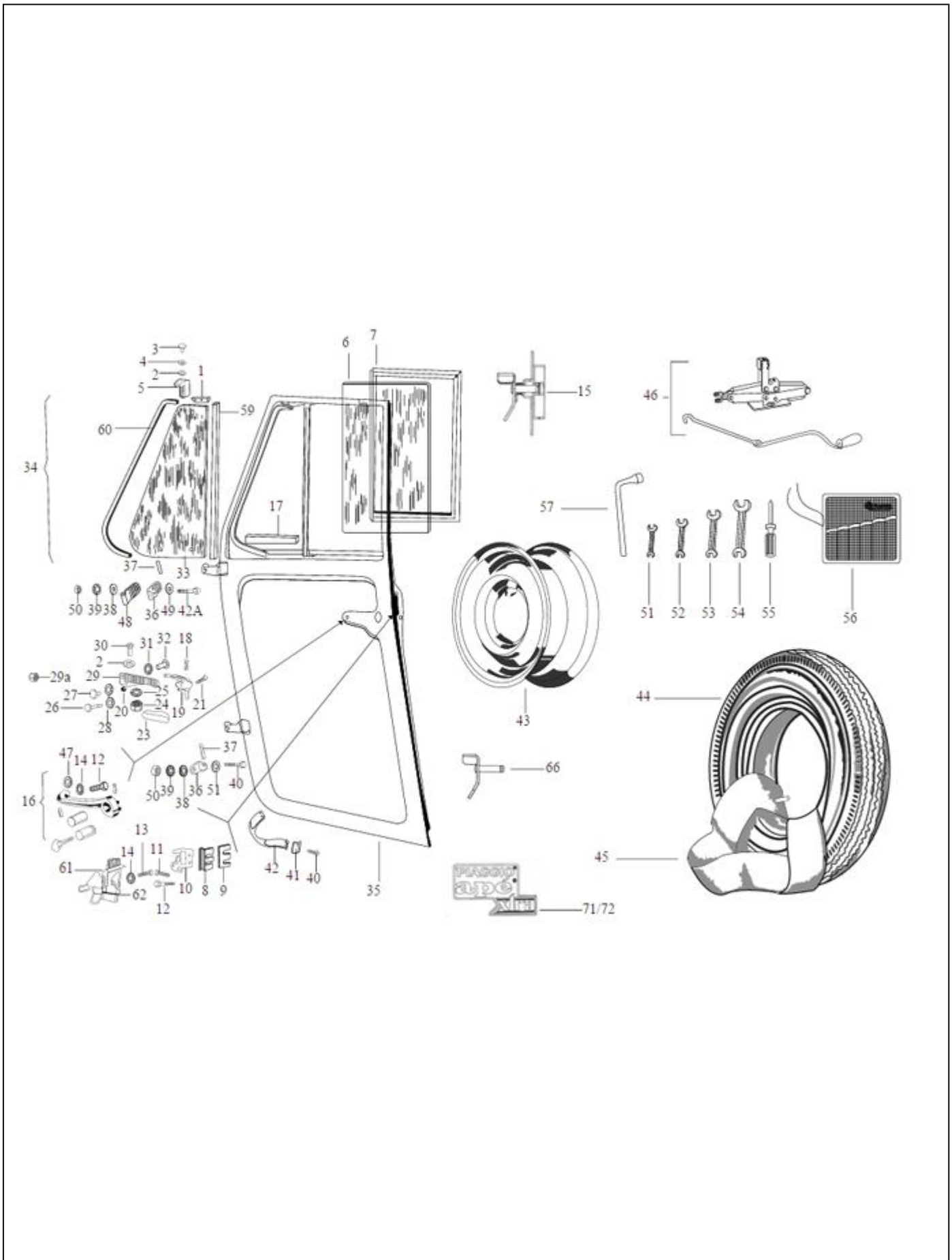


PLATE-23**DOORS, TOOLS AND WHEELS**

Fig. No.	Part No.	Description	Qty	Remarks
1	183077	UPPER PACKING R.H. DOOR RABBET	1	
1	163660	DEFLECTOR PANE RABBET L.H. UPPER PACKING	1	
2	97756	METALLIC PLAIN WASHER	4	
2	6965	SPRING WASHER	2	
3	5745	RIVET DIA.7MM	2	
4	6078	PLAIN WASHER 12 X 5.2 X 1	2	
5	108800	UPPER CLAMP OF RIGHT AIR DEFLECTOR	1	
5	152025	UPPER CLAMP OF L.H. AIR REFLECTOR	1	
6	163661	FIXED GLASS FOR THE WINDOW	2	
7	163663	GASKET, WINDOW GLASS	2	
8	140603	SECURITY LOCK CYLINDER (SHIM PLATE)1.0TH	2	
9	193724	PLATE(OPTION SHIM PLATE)	2	
10	182663	BLOCK COMPLETE OF COLLISION DOOR LOCK LH	1	
10	182662	BLOCK COMPLETE OF COLLISION DOOR LOCK RH	1	
11	569156	CSK SCREW (BLOCK CLOSING DOOR)	2	
12	569157	CSK SCREW (BLOCK CLOSING DOOR)	2	
13	30242	SLOT CH. HD. SCREW	3	
14	12546	PLAIN WASHER / MULTI TOOTH LOCK WASHER M5	8	
15	182660	COMPLETE LOCK OF THE RH DOOR	1	
15	182661	LH SIDE LOCK COMPLETE	1	
16	B024733	HANDLE WITH PUSH BUTTON LH WITH KEY	1	
16	B024734	HANDLE WITH PUSH BUTTON RH WITH KEY	1	
17	163659	DEFLECTOR PANE RABBET LOWER GASKET	2	
18	8808	SPRING PIN 2.5 X 14	2	
19	B003864	DEFL CLOSING LEVER RH -(PLASTIC)	1	
19	B003865	DEFL CLOSING LEVER LH (PLASTIC)	1	
20	116971	RUBBER GROMMET	2	
21	15727	PAN SELF TAPPING SCREW	2	
22	62961	MAIN SPRING FOR LEVER	2	
23	182654	COLLISION FOR LEVER	2	
23A	97756	METALLIC PLAIN WASHER	2	
24	20108	HEX NUT M8	2	
25	64263	WINDOW FRICTION WASHER	2	
26	604558	PIVOT FOR LEVER FOR CLOSING DOORS	2	
27	108804	SCREW WITH WIDE HEAD (MALE)	4	
28	13935	WASHER	2	
29	108801	LOWER BKT.FOR CONNECTING R.H.DEFLECTOR	1	
29	109263	LOWER BKT.FOR CONNECTION L.H. DEFLECTOR	1	
29A	12136	NUT / NYLOCK NUT M5	2	
30	31058	HEX HEAD SCREW M5 X 16 CC8.8	2	
31	6177	PLAIN WASHER 16 X 8.5 X 1	1	
32	108805	SCREW WITH WIDE HEAD (FEMALE)	2	

PLATE-23
DOORS, TOOLS AND WHEELS

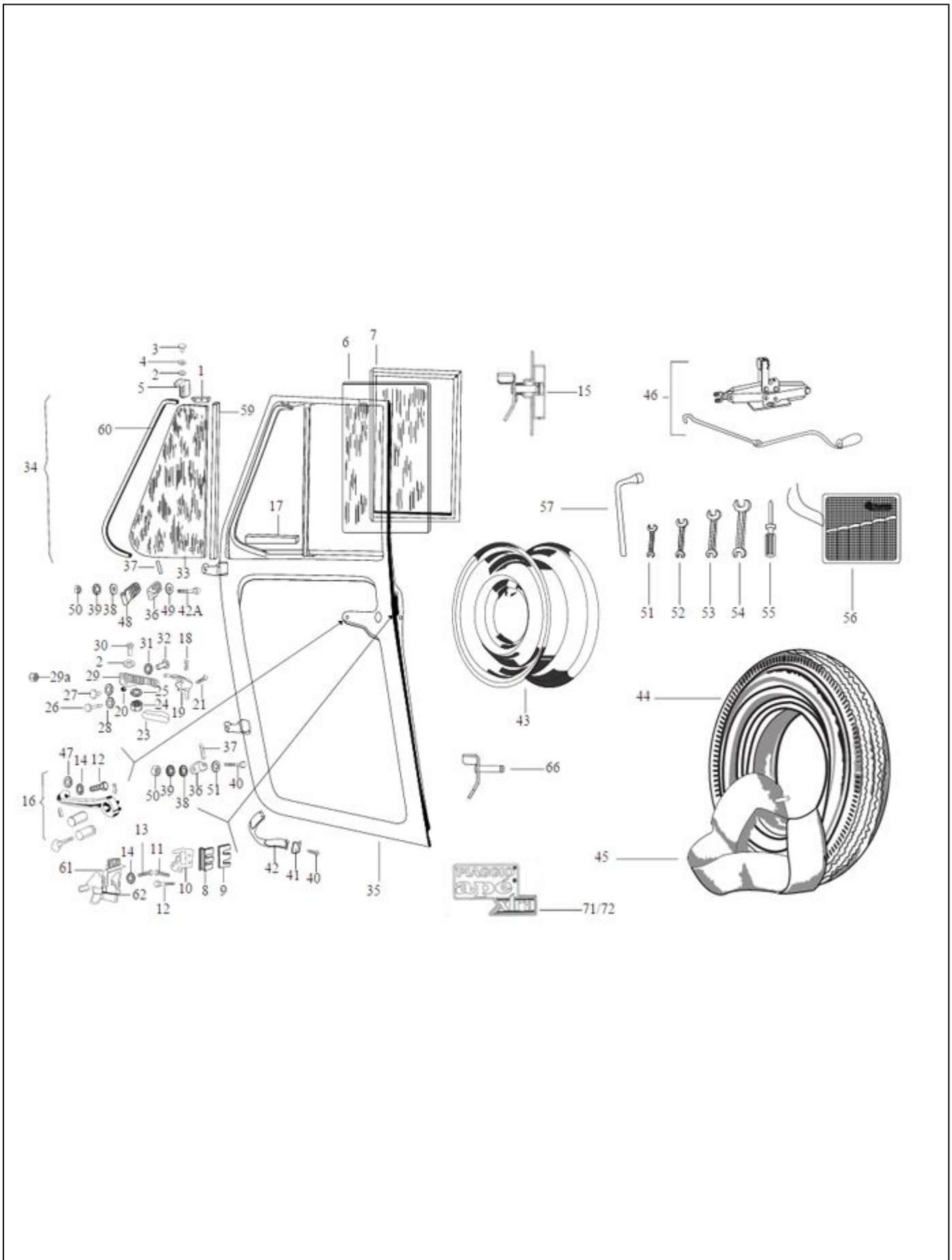


PLATE-23**DOORS, TOOLS AND WHEELS**

Fig. No.	Part No.	Description	Qty	Remarks
32	604812	LARGE HEAD SCREW	2	
33	163665	GLASS, VENT	2	
34	163666	R.H. VENT WINDOW ASSY.	1	
34	163667	L.H.VENT WINDOW ASSY. WITH ATTACHMENTS	1	
35	B002847	RH DOOR SUB ASSLY (CED)	1	
35	B002848	LH DOOR SUB ASSLY (CED)	1	
36	632238	DOOR HINGE ASSLY UPPER	4	
37	8847	SPRING PIN 6X64	4	
38	13812	METALLIC PLAIN WASHER	2	
38	13861	PLAIN WASHER 20X8.2X2.5	2	
39	12540	SPRING WASHER M8	4	
40	8451	PAN SELF TP SCREW 6 SGX13 AB	8	
41	89281	BLOCK PLATE STRAP	4	
42	568148R	STOP BELT FOR DOOR	1	
42A	568692	PAN SELF TAP SCREW 6SG X 16AB	4	
43	644973R	WHEEL RIM ASSY.	1	
44	587971	TYRE 4.50 X 10 8 PR	1	
45	151924	INNER TUBE TYRE 4.5 X 10 INCH	4	
46	B001954	JACK ASSY.	1	
47	6018	PL. WASHER	2	
47A	604560	SCREW TERMINAL ASSY. - GEAR CONTROL	2	
48	605389	HINGE	2	
49	140728	PLAIN WASHER 8.5 X 24 X 3	2	
50	20108	HEX NUT M8	4	
51	567454	DOUBLE END SPANNER7/8	1	
52	192009013	DE SPANNER 10X13 IS:2018(ZN PLATING)	1	
53	567456	DOUBLE END SPANNER 12/14	1	
54	567457	DE SPANNER 17/19	1	
55	567458	SCREW DRIVER (-)&(+) 80	1	
56	604707	TOOL BAG	1	
57	567459	L TYPE WHEEL SPANNER (A/F19)	1	
58	E500405518	STARTING ROPE	1	
58	192020017	STARTING ROPE	1	
58A	569193	FIRST AID KIT N.I	1	
59	163782	DEFLECTOR PANE RABBET REAR GASKET	2	
60	163784	DEFLECTOR PANE RABBET FRONT GASKET	2	
61	604689	STOPPER ASSLY RH	1	
61	604690	STOPPER ASSLY LH	1	
62	108356	SPRING FOR LOCK	1	
62	115531	SPRING FOR R.H. LOCK	1	
63	116334	L.H.DOOR GUIDE BOX ASSY	1	
64	30242	SLOT CH. HD. SCREW	3	

PLATE-23 DOORS, TOOLS AND WHEELS

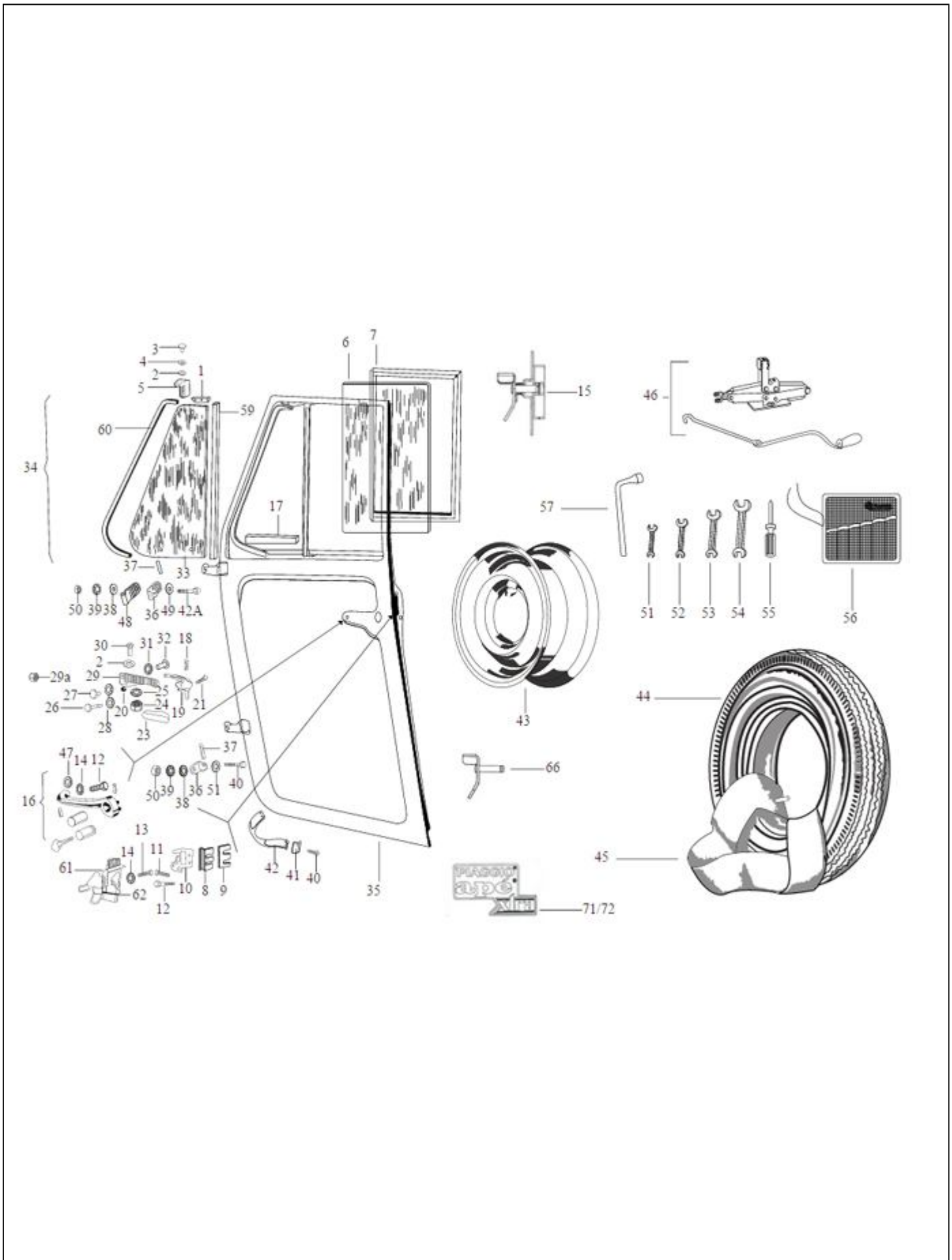


PLATE-23**DOORS, TOOLS AND WHEELS**

Fig. No.	Part No.	Description	Qty	Remarks
65	190255	GROMMET (LONG MEMBER)	1	
66	109121	LEVER COMPLETE OF LH LOCK	1	
67	116333	BOX FOR GUIDE COMPLETE OF RH DOOR	1	
68	109120	LEVER COMPLETE FOR R.H. LOCK	1	
69	B042700	TOOLS KIT 501 ALL MODELS CONSITING OF SR NOS 53~60A	1	
70	30074	HEX HEAD BOLT M8 X 40 CL 8.8	1	
71	660750	DOOR STICKER XTRA (LIGHT COLOR)	2	
72	660790	DOOR STICKER XTRA (DARK COLOUR) NI	2	

PLATE-24
REAR SUSPENSION

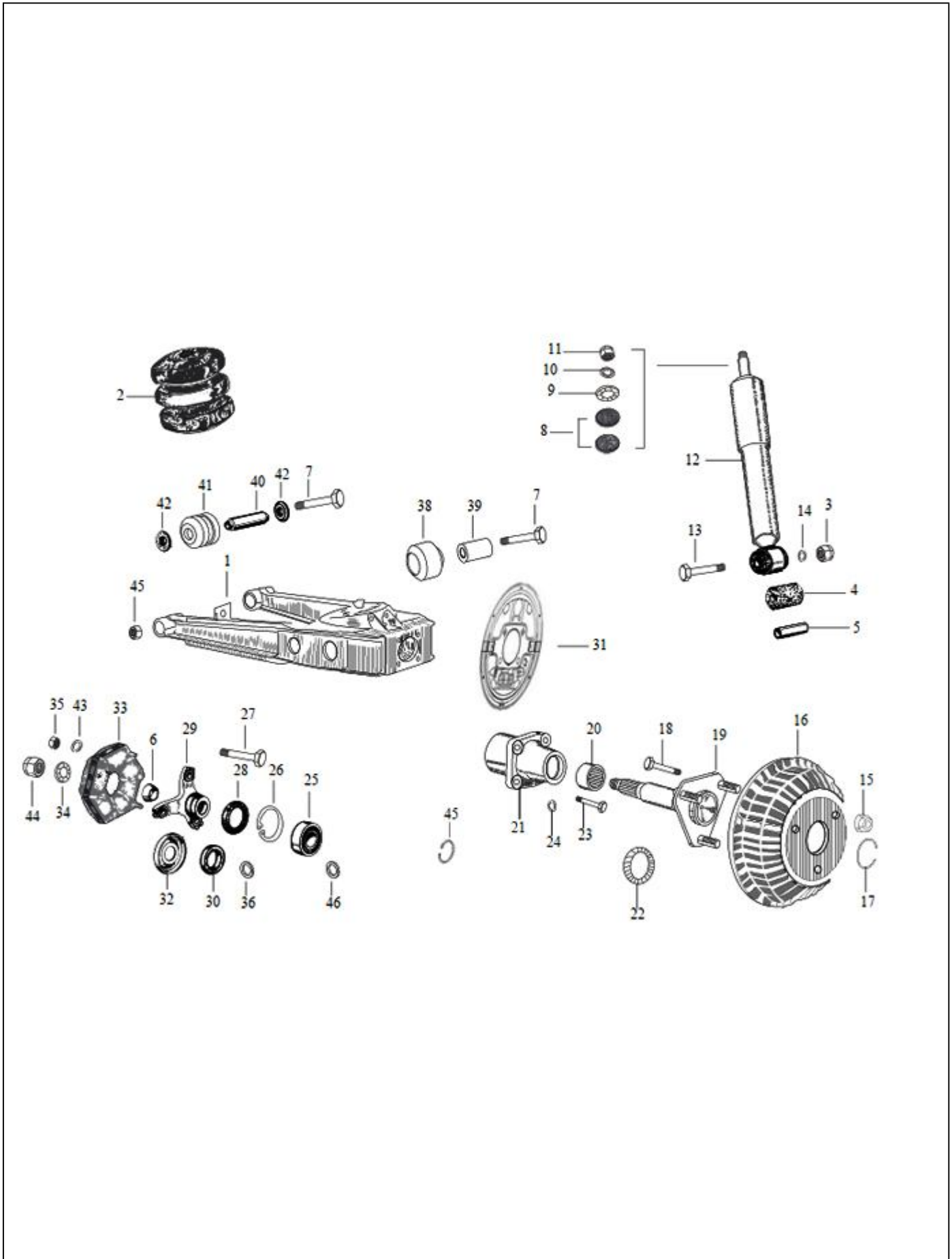


PLATE-24**REAR SUSPENSION**

Fig. No.	Part No.	Description	Qty	Remarks
1	644897	ARM ASSLY RT RR SUS. WITH SILENT BLOCK (VE)	1	
1	644898	ARM ASSLY LT RR SUS. WITH SILENT BLOCK (VE)	1	
2	568289	RUBBER BUMPER	2	
3	231370	SELF BREAKING NUT M10	2	
4	157103	BUSH - SHOCK ABSORBER	2	
5	107827	SPACER	1	
6	128633	CONE	2	
7	643741	HEX HDD BOLT M10 X 80 CL 12.9	4	
8	74414	RUBBER BUSH/BUFFER FOR COUPLING SHOCK ABSORBE	4	
9	6066	PL WASHER 10.5X38X9	2	
10	16410	SPRING WASHER	2	
11	21110	HEX UT M10 X 1.25 P ASSY.	2	
12	136451	SHOCK ABSORBER REAR	2	
13	267068	HEX HEAD BOLT M10 X 60 CC 10.9	2	
14	286328	PLAIN WASHER 20X10.2X2	2	
15	660931	WHEEL NUT (M12 X 1.5)	3	
16	152580	BRAKE DRUM APE - 501	2	
17	107870	ELASTIC RING	2	
18	108215	BOLT FOR AXLE M12 X 40	3	
18	652520	BOLT FOR AXLE M12 X 40 (VE WHEEL RIM)	3	
19	644899	REAR WHEEL AXLE	2	
20	128486	NEEDLE BEARING REAR WHEEL HUB (ROLLER CAGE)	2	
21	136888	REAR WHEEL HUB	2	
22	20359	SEAL RING	2	
23	31159	HEX HD SCREW M10 X 35 CC 8.8	8	
24	16410	SPRING WASHER	8	
25	243303R	DEEP GROVE BALL BRG-RR WH AXLE	2	
26	6650	CIRCLIP DIA 50 (INT)	2	
27	15594	HEX HDD BOLT M10 X 35	12	
28	196302	OIL SEAL	2	
29	587617	ELASTIC JOINT CONNECTION HUB (WHL - SIDE)	2	
30	661267	RING	2	
31	602120	LEFT BRAKE JAW HOLDING CABLE PLATE	1	
31	602123	RIGHT BRAKE JAW HOLDING CABLE PLATE	1	
32	109892	PROTECTION CUP RR HUB	2	
33	604535	FLEXIBLE COUPLING	1	
34	3068	PLAIN WASHER	2	
35	231370	SELF BREAKING NUT M10	12	
36	137026	SPRING RING	2	
37	226662	RING FOR ELASTIC SUPPORT	2	
38	226661	INTERNAL BUSH	2	
39	569241	SPACER	2	

PLATE-24
REAR SUSPENSION

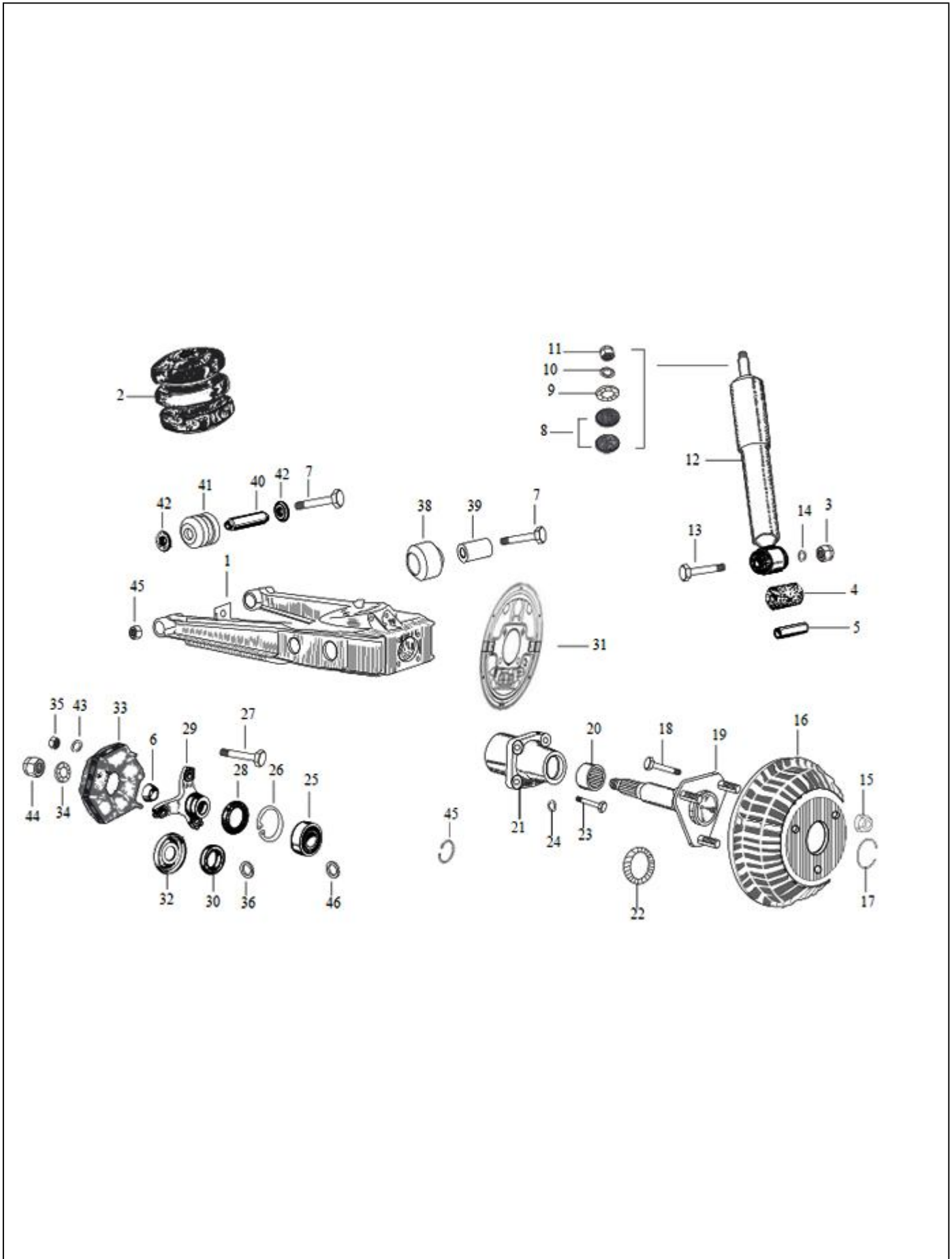


PLATE-24**REAR SUSPENSION**

Fig. No.	Part No.	Description	Qty	Remarks
40	226596	BUSH FRONT RING FOR ELASTIC SUPPORT	2	
41	267064	SHOULDER WASHER	4	
42	237246	SHIM WASHER 20X10.2X1	12	
43	136426	NUT WITH COLLAR	2	
44	231370	SELF BREAKING NUT M10	4	
45	137026	SPRING RING	2	

PLATE-25
STEERING COLUMN AND FRONT SUSPENSION

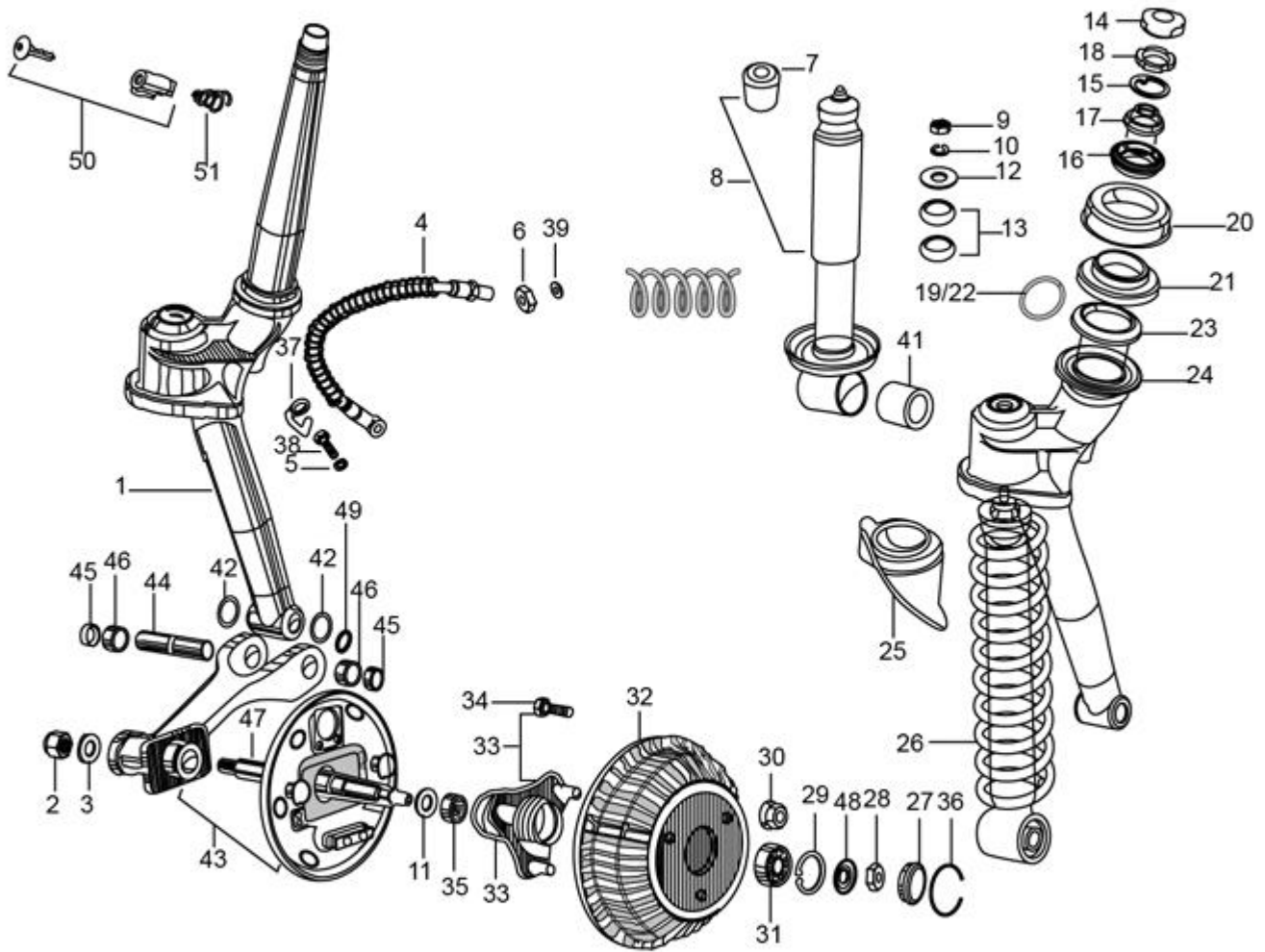


PLATE-25**STEERING COLUMN AND FRONT SUSPENSION**

Fig. No.	Part No.	Description	Qty	Remarks
1	660153	STEERING COLUM WITH I.P.	1	
1A	660498	STEERING COLUMN.COMPLETE WITH SUSP.ARM	1	
1B	660499	FRONT SUSPENSION ASSLY 501 REG	1	
2	568095	NYLOCK NUT	1	
3	87067	PLAIN WASHER 30.5X14.3X2	1	
4	587624	BRAKE OIL HOSE	1	
5	127927R	PACKING	2	
6	21216	HEX NUT M16 X 1.5	4	
7	75708	SILENT BLOCK	1	
8	569246	FRONT SHOCK ABSORBER	1	
9	21110	HEX UT M10 X 1.25 P ASSY.	1	
10	16410	SPRING WASHER	1	
11	136434	OIL SEAL	1	
12	6066	PL WASHER 10.5X38X9	1	
13	74414	RUBBER BUSH/BUFFER FOR COUPLING SHOCK ABSORBE	2	
14	604758	PROTECTION	1	
15	108873	STOP WASHER FOR HOLDING	1	
16	567990	BEARING RACE UPPER BOTTOM	1	
17	567991	BEARING RACE UPPER TOP	1	
18	108874	SECURING RING NUT	1	
19	662423	SOLID OIL BALL CAGE (UPPER) 7105	1	
20	109064	DUST COVER	1	
21	567992	BEARING RACE LOWER TOP	1	
22	662422	SOLID OIL BALL CAGE (LOWER) 7104	1	
23	567993	BEARING RACE LOWER BOTTOM	1	
24	109066	WASHER WITH PROTECTION FOR BEARING	1	
25	109265	SPLASH GUARD DUST COVER	1	
26	569255	FRONT SUSPENSION SPRING	1	
27	107871	CAP	1	
28	74521	NUT M14 X 1.5	1	
29	567473	CIRCLIP DIA. 42 INT. (841004203)	1	
30	660931	WHEEL NUT (M12 X 1.5)	3	
31	30209R	BALL BEARING FRONT WHEEL HUB	1	
32	152580	BRAKE DRUM APE - 501	1	
33	652521	FR. WHEEL HUB ASSY.	1	
34	652520	BOLT FOR AXLE M12 X 40 (VE WHEEL RIM)	1	
34	108215	BOLT FOR AXLE M12 X 40	1	
35	125289	NEEDLE BEARING, CRANKASE, FRONT WHEEL	1	
36	107870	ELASTIC RING	2	
37	127928	BRAKE PLATE THK = 1.0	1	
38	587829	BENJO BOLT	1	
39	48197	PL WASHER 24X16X1.5	3	

PLATE-25
STEERING COLUMN AND FRONT SUSPENSION

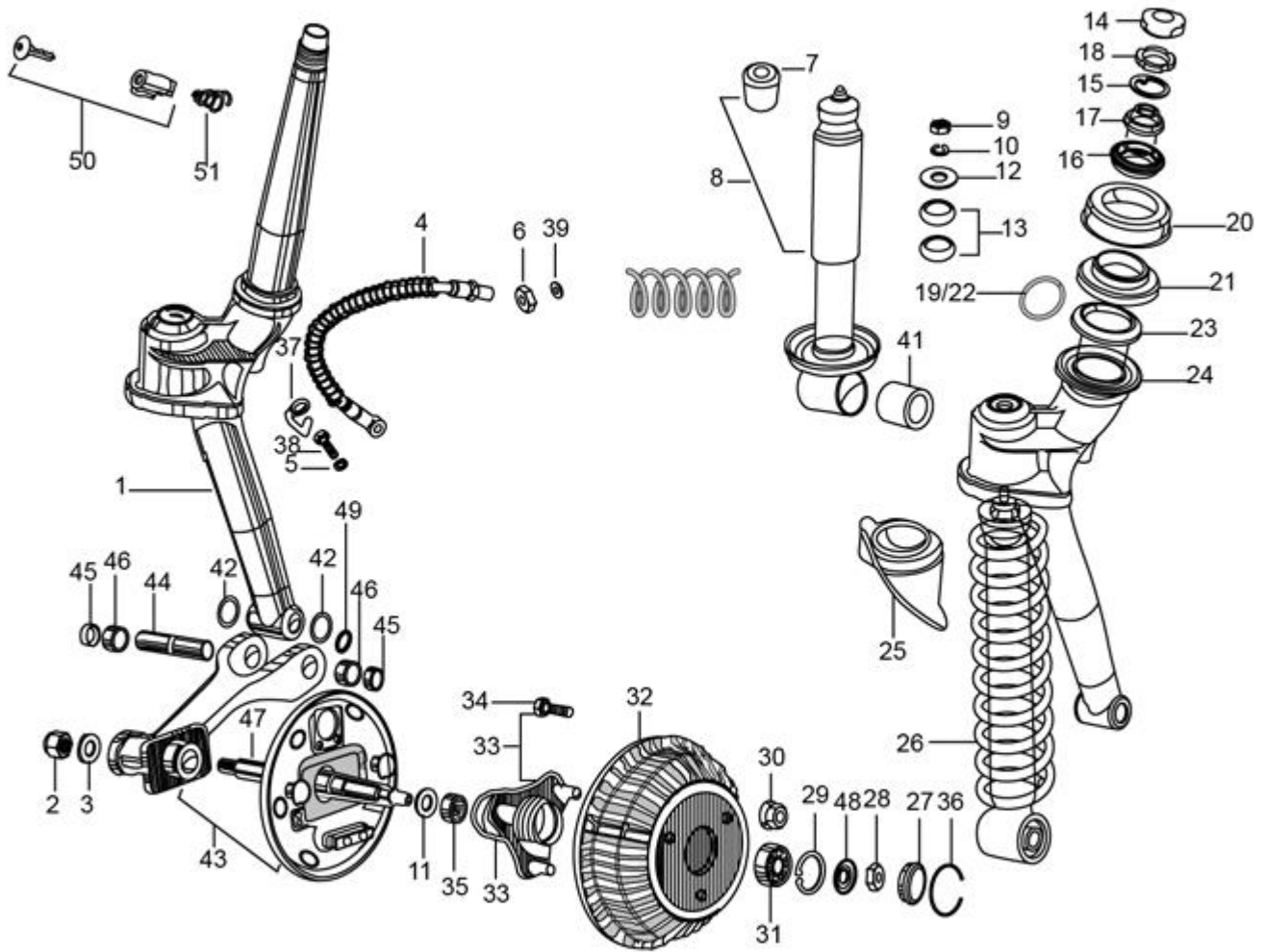


PLATE-25**STEERING COLUMN AND FRONT SUSPENSION**

Fig. No.	Part No.	Description	Qty	Remarks
40	107732	BUSH FOR SILENT BLOCK	1	
41	109117	RUBBER BUSH (FRT SHOCK ABSORBER) / RING	1	
41	566545	RUBBER BUSH (FRT SHOCK ABSORBER) - MODIFIED	1	
42	6733	O RING	2	
43	616541	BRACKET WHEEL CARRIER WITH PI	1	
44	137235	STEERING PIN	1	
45	8771	OIL SEAL (18-24-4)	2	
46	107718	ROLLER BUSH	2	
47	643772R	FRONT WHEEL AXLE	1	
48	180431	COIN WASHER	1	
49	150579	RING FOR HOLDING TYPE J F101 17A	2	
50	B024732	STG LOCK ASSLY WITH KEY	1	
51	569150	SPRING; STEERING LOCK (MODIFIED)	1	
52	569148	CIRCLIP STEERING LOCK DIA 16 (INT)	1	
53	604759	RUBBER CAP STEERING COLUMN (N.I.)	1	
54	604758	PROTECTION	1	
55	940003	STEERING PIN KIT CONSISTING OF SR NOS 42,44,45,46,47 & 49	1	
56	KIT 95021	STEERING CONE SET UPPER CONSISTINMG OF SR NOS 16 & 17 (N.I.)	1	
57	KIT 95022	STEERING CONE SET UPPER CONSISTINMG OF SR NOS 21 & 23 (N.I.)	1	
58	KIT95010	BALL KIT CONSISTING OF SR NOS 19 & 22 (N.I.)	1	

PLATE-26
HANDLE BAR AND CONTROL

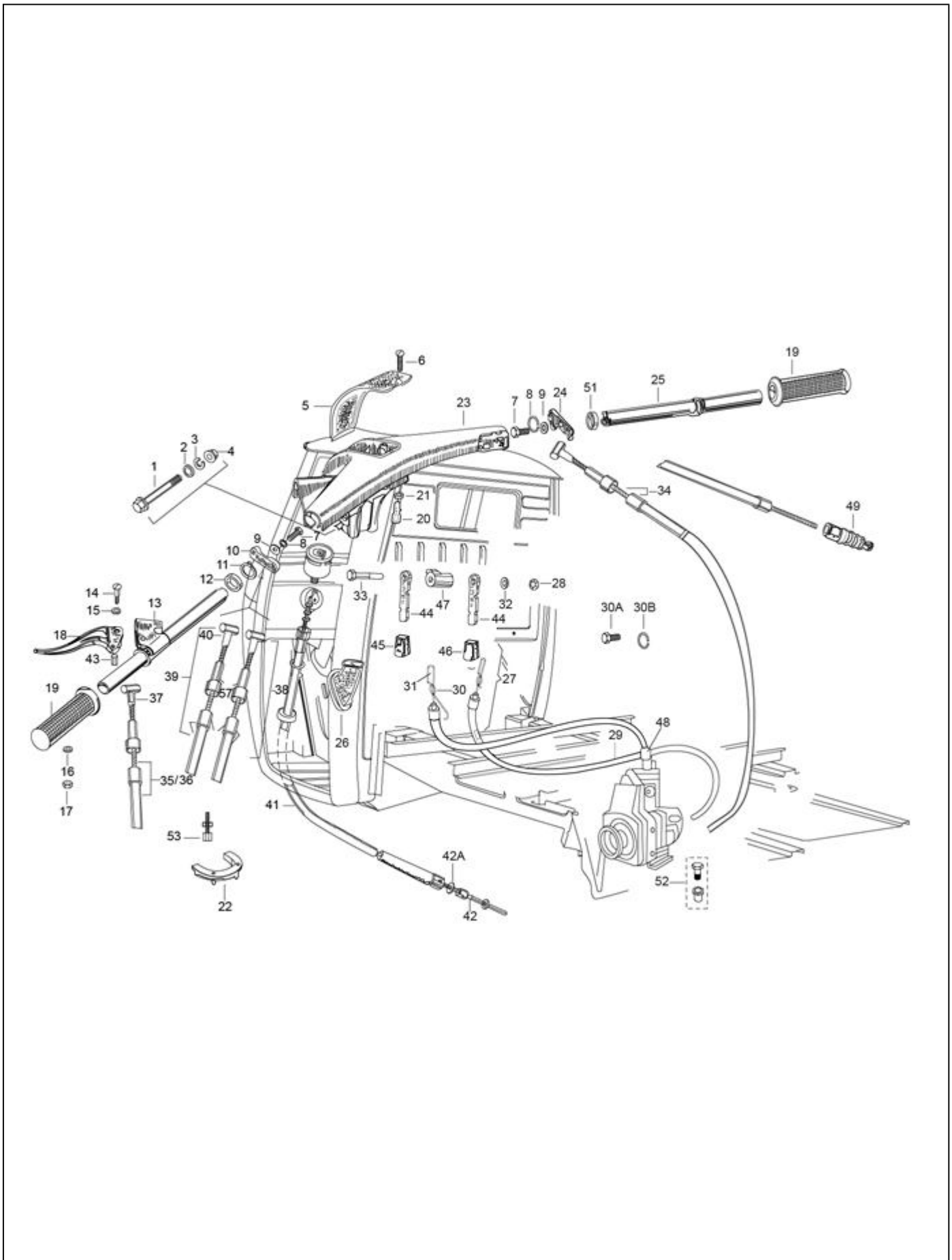


PLATE-26**HANDLE BAR AND CONTROL**

Fig. No.	Part No.	Description	Qty	Remarks
1	30103	HANDLE SECURING BOLT M10 X 70 CL 8.8	1	
2	16626	PLAIN WASHER (18X10.5X2)	2	
3	16410	SPRING WASHER	1	
4	20110	HEX NUT M10	1	
5	604543	COVER	1	
5	B041600	HANDLE BAR COVER	1	
6	632158	CSK HEAD SCREW	1	
7	31089	HEX HEAD SCREW M6X18 CL 8.8	2	
8	16406	SPRING WASHER	2	
9	6125	PLAIN WASHER (14X6.4X1.5)	2	
10	109775	GEAR CONTROL LEVER S/A	1	
11	60565	SPRING WASHER	1	
12	109404	WASHER OF RABBET(41737)	1	
13	127451	TUBE WITH TERMINAL S/A	1	
14	15618	SLT PAN HD SCREW	1	
15	16319	BENT SPRING WASHER	1	
16	16620	PLAIN WASHER	1	
17	12138	NYLOCK NUT M6	1	
18	164906	CLUTCH CONTROL LEVER	1	
19	141925	HANDLE	2	
20	197071	ADJUSTER SCREW M6	2	
21	20106	HEX NUT M6	2	
22	126902	PROTECTION COLLAR CABLE	1	
23	B002823	HANDLE ('T' TYPE)	1	
24	109635	THROTTLE CONTROL LEVER WITH IP	1	
25	587902	ACCELERATOR TUBE ASSY.	1	
26	109227	PROTECTION GROMMET	1	
27	604515	ENGINE STOP CONTROL TRANSMISSION ASSLY	1	
28	2438	HEX SELF LOCKING NUT	1	
29	604509	ENGINE STOP CONTROL CABLE INNER	1	
30	B001505	DECOMPRESSION TRANSMISSION ASSLY FOR ST	1	
30	660351	DECOMPRESSOR CONTROL CABLE	1	
30A	16408	SPRING WASHER M8	2	
30B	31116	HEX HD. SCREW M8X16	2	
31	604508	DECOMPRESSOR CONTROL CABLE INNER	1	
32	7608	WASHER	1	
33	30077	HEX HEAD SCREW	1	
34	587631	GASOLINE CONTROL TRANSMISSION ASSY.	1	
34	587802	GASOLINE CONTROL CABLE WITH TERMINAL	1	
35	604779	CLUTCH CONTROL TRANSMISSION ASSLY.	1	
35	660140	CLUTCH CONTROL TRANSMISSION ASSLY.	1	
36	660141	CLUTCH CONTROL CABLE WITH TERMINAL	1	

PLATE-26
HANDLE BAR AND CONTROL

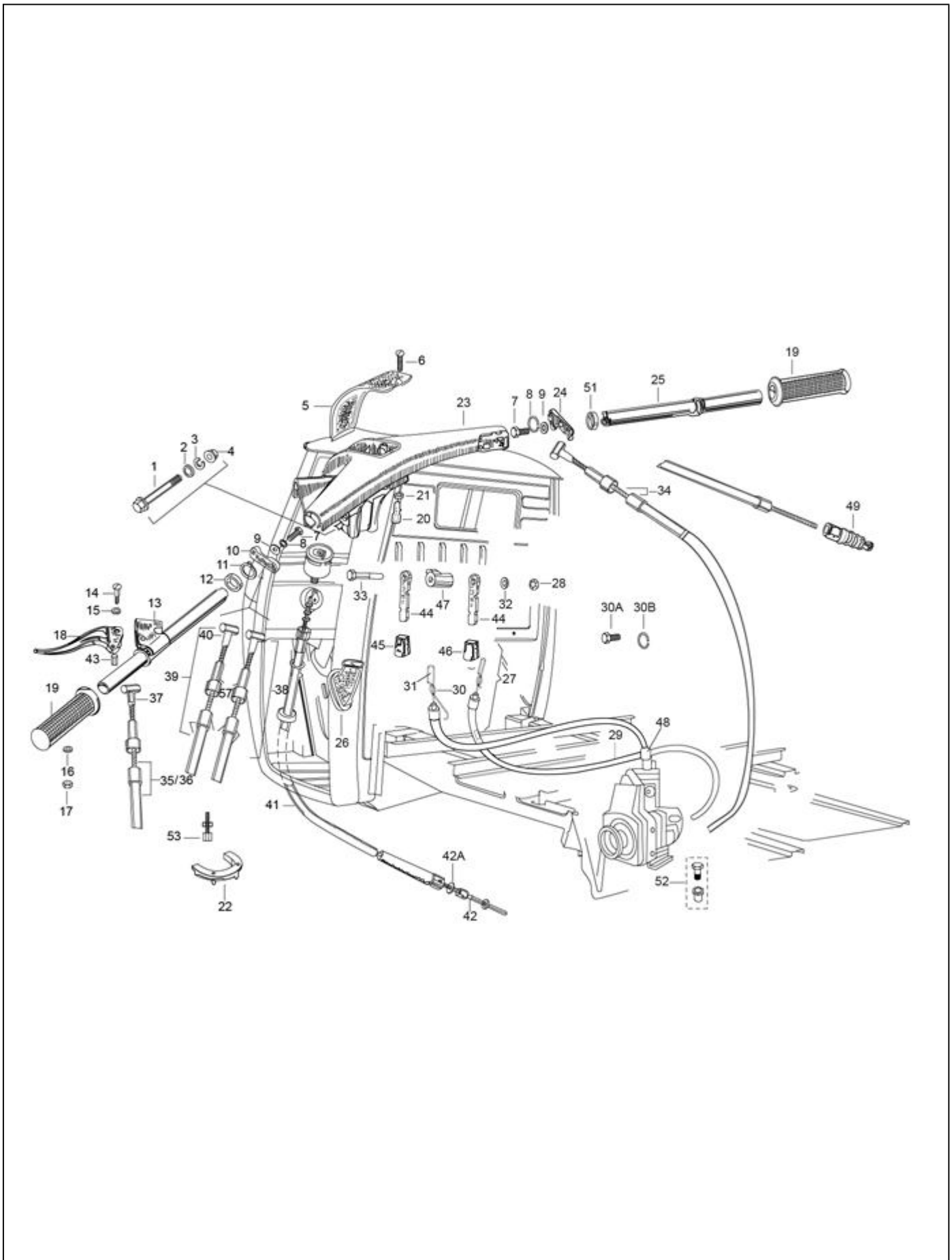


PLATE-26**HANDLE BAR AND CONTROL**

Fig. No.	Part No.	Description	Qty	Remarks
37	587806	CLUTCH CONTROL CABLE WITH TERMINAL	1	
38	587628	CABLE GEAR CONTROL ASSY. (DARK GREY)	1	
39	587919	CABLE GEAR CONTROL ASSY. NO. 2 (LIGHT GREY)	1	
40	587803	WIRE, GEAR CONTROL WITH TERMINAL	2	
40A	20105	HEX NUT M5	2	
41	645124	SPEEDO CABLE	1	
42	587812	TRANSMISSION CABLE (INNER) FOR ODOMETER	1	
42A	97756	METALLIC PLAIN WASHER	4	
43	125181	SPACER	1	
44	119928	LEVER	2	
45	604716	KNOB FOR ENGINE STOP	1	
46	604715	KNOB FOR DECOMPRESSION	1	
47	119181	SPACER	1	
48	119278	TERMINAL	1	
49	118806	PROTECTION BELLOW	2	
50	15478	GROMMET4	2	
51	587904	SINTERED WASHER HANDLE BAR (41769)	1	
52	B024379	SCREW TERMINAL ASSLY-ENGINE STOP,D.C.	1	
53	197071	ADJUSTER SCREW M6	2	

PLATE-27

BRAKE - TANDEM MASTER CYLINDER, BRAKE PIPE AND HAND BRAKES

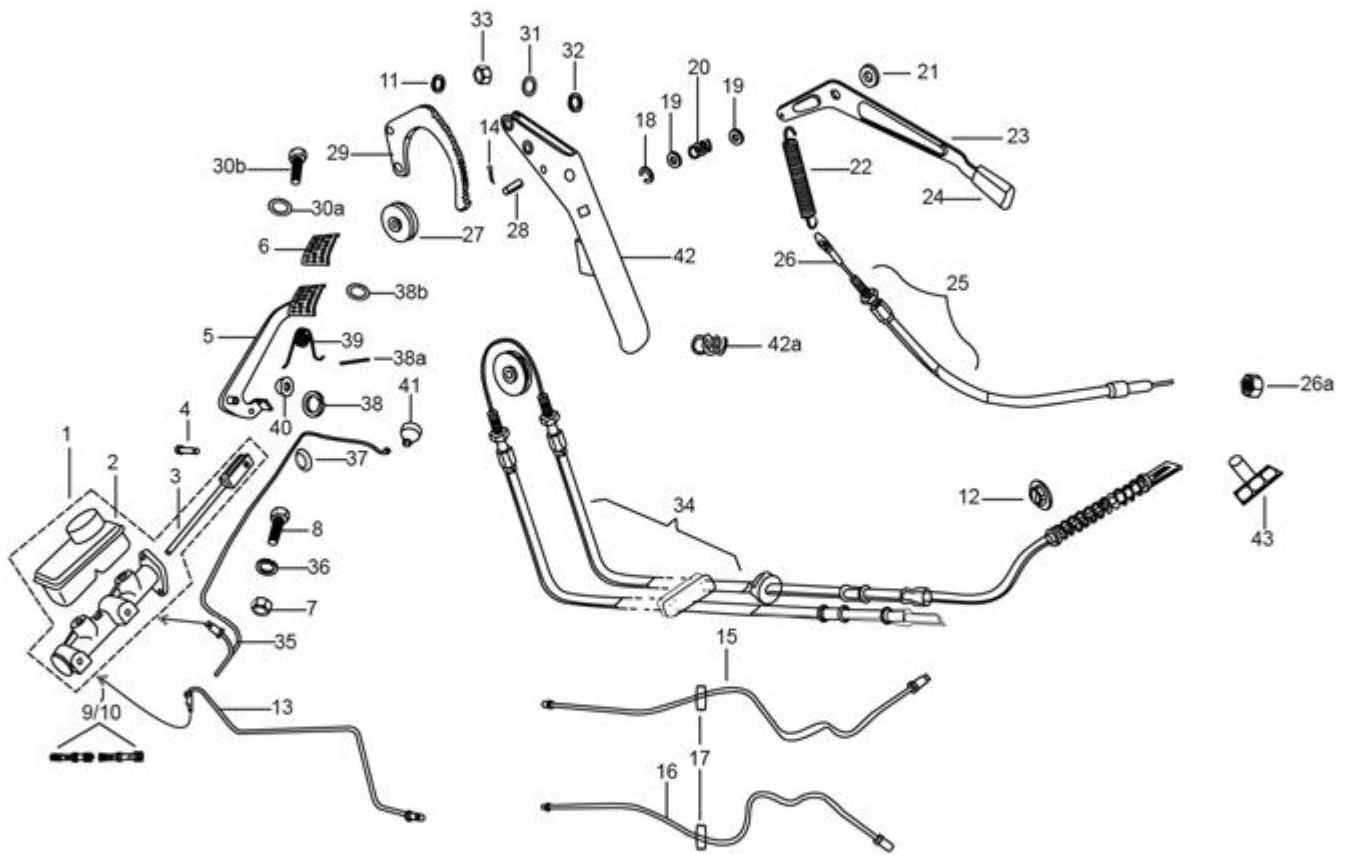


PLATE-27**BRAKE - TANDEM MASTER CYLINDER, BRAKE PIPE AND HAND BRAKES**

Fig. No.	Part No.	Description	Qty	Remarks
1	604615	TANDEM MASTER CYLINDER ASSLY	1	
2	587773	BRAKE OIL TANK	1	
3	587702	PUSH ROD	1	
5	604760	BRAKE PEDAL WITH FOOT REST ASSLY	1	
6	567461	RUBBER PROTECTION FOR PEDAL	1	
7	20108	HEX NUT M8	2	
8	31122	HEX HD. SCREW M8X30 CL 8.8	2	
8	16408	SPRING WASHER M8	2	
9	925508	MAJOR KIT TMC (KBX 1008)	1	
10	925509	MINOR KIT TMC (KBX 1009)	1	
11	16408	SPRING WASHER M8	1	
12	604502	CUP RETAINING SPRING (41733)	2	
13	568162	BRAKE TUBE FOR REAR WHEEL	1	
13A	925573	WHEEL CYLINDER MAJOR KIT (N.I)	2	
14	12761	SPLIT PIN	1	
14A	925574	MINOR KIT WHEEL CYLINDER	1	
15	644813	BRAKE PUMP TUBE OF LEFT REAR WHEEL	1	
16	644812	BRAKE PUMP TUBE OF RIGHT REAR WHEEL	1	
18	5969	CIRCLIP DIA 9 E TYPE	1	
19	6173	METALLIC PLAIN WASHER (808001026)	1	
20	108785	SPRING	1	
21	B042317	SPACER-RC LEVER	1	
22	567690	REVERSE GEAR COUPLING SPRING	1	
23	125411	BACKING COMMAND LEVER	1	
24	604717	KNOB FOR R.C.	1	
25	587633	CABLE, REVERSE GEAR CONTROL ASSY.	1	
26	587822	CABLE, REVERSE GEAR WITH TERMINALS.	1	
26A	20105	HEX NUT M5	2	
27	567898	PULLEY FOR HAND BRAKE	1	
28	567899	CLEVIS PIN	1	
29	567897	RATCHET , HAND BRAKE CONTROL	1	
30A	140728	PLAIN WASHER 8.5 X 24 X 3	6	
30B	31118	SCREW M8X20	1	
31	6173	METALLIC PLAIN WASHER (808001026)	1	
31	13812	METALLIC PLAIN WASHER	1	
32	6411	EXT CIRCLIP DIA 11	1	
33	20108	HEX NUT M8	1	
34	567719	CABLE,HAND BRAKE CONTROL ASSLY	1	
35	568161	TUBE BETWEEN TMC & FRT WHEEL	1	
36	16408	SPRING WASHER M8	2	
37	6414	CIRCLIP DIA. 14 (EXT)	1	
38	843000809	CIRCLIP DIA.8(EXT) TYPE C	1	

PLATE-27

BRAKE - TANDEM MASTER CYLINDER, BRAKE PIPE AND HAND BRAKES

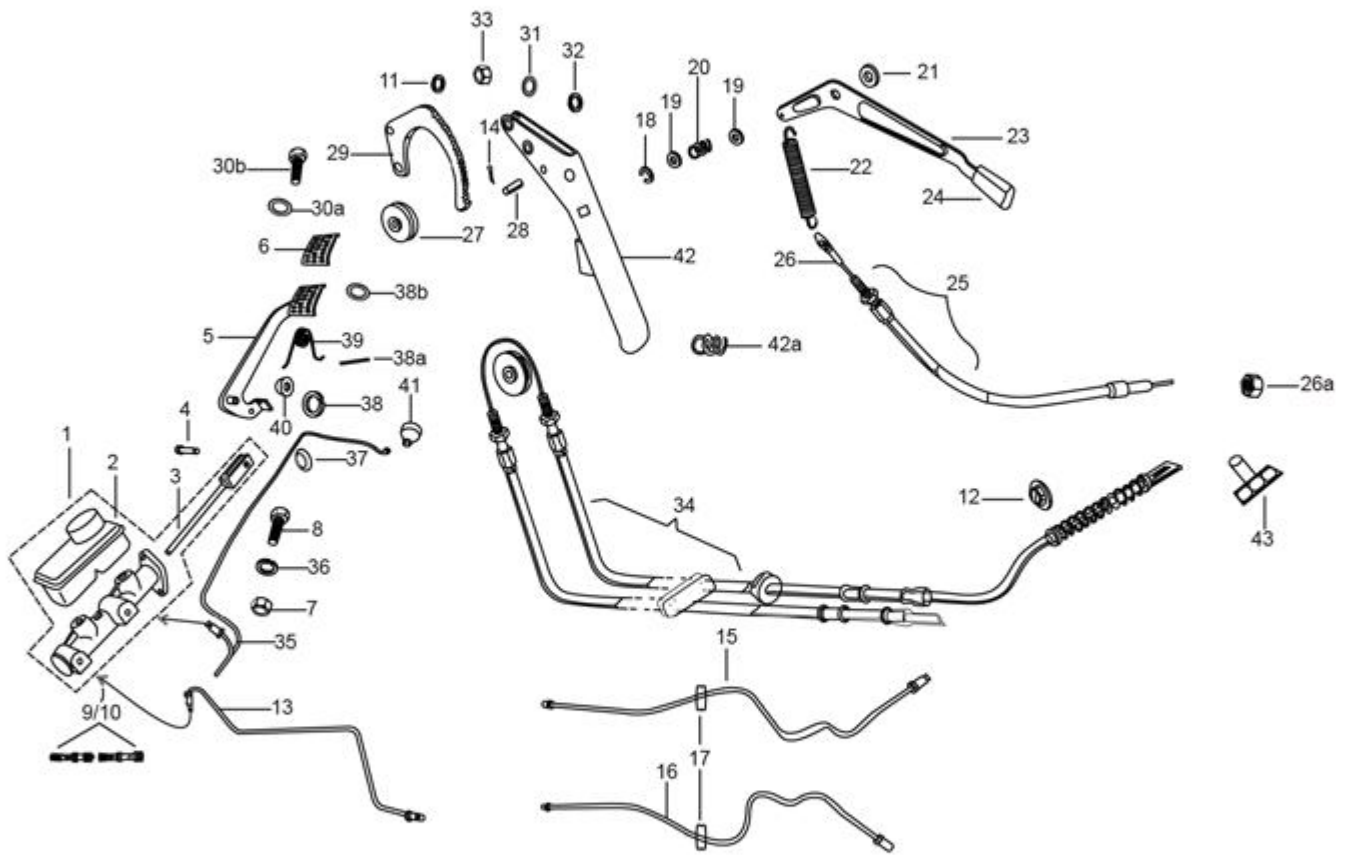


PLATE-27**BRAKE - TANDEM MASTER CYLINDER, BRAKE PIPE AND HAND BRAKES**

Fig. No.	Part No.	Description	Qty	Remarks
38A	567920	SPLIT PIN	1	
38A	568737	SPLIT PIN 4 X 25 (821 0425 2 2)	1	
38B	3058	PLAIN WASHER 15X8.4X1.5	1	
39	587928	FOOT BRAKE PEDAL SPRING	1	
40	229524	WASHER 21X14.3X2	1	
41	138237	CAP	1	
42	567746G1	HAND BRAKE LEVER (WITH POWDER COATING)	1	
43	119278	TERMINAL	1	

PLATE-28
ELECTRICAL DEVICES

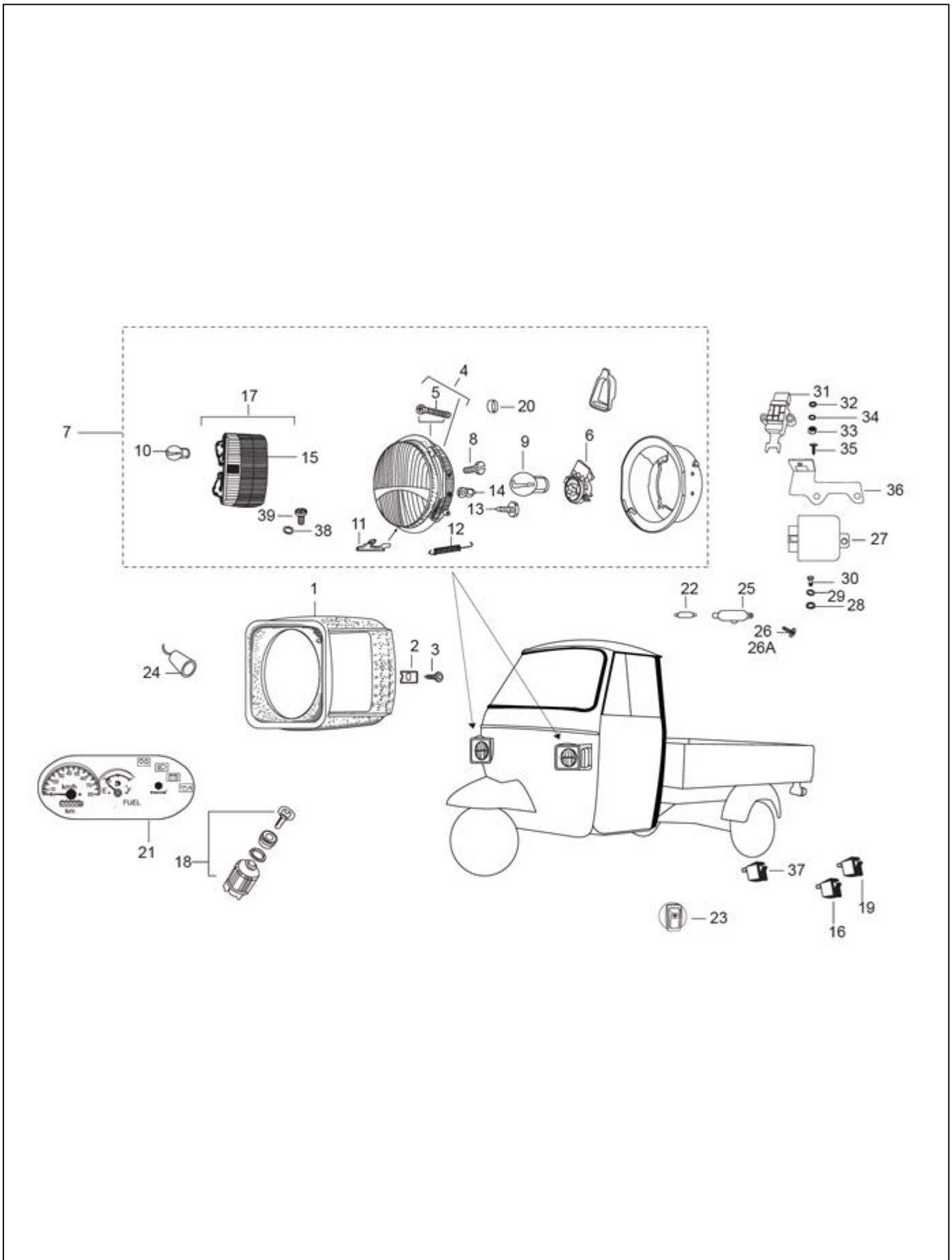


PLATE-28**ELECTRICAL DEVICES**

Fig. No.	Part No.	Description	Qty	Remarks
1	B025600	SEAT OF LAMP RIGHT	1	
1	B025601	SEAT OF LAMP LEFT	1	
2	8080	SPRING PLATE	2	
3	15900	HEAD LAMP SECURING SCREW/PAN SELF TAP SCREW	2	
4	925590	HEAD LAMP SEAL BEAM WITH HOLE	4	
5	15641	HEAD LAMP ADJUSTING SCREW	4	
6	114121	BULB HOLDER / HOLDER FRONT LAMP	2	
7	632478R	ASSY. HEAD LAMP WITH LATERAL LAMP LH	1	
7	632477R	ASSY. HEAD LAMP WITH LATERAL LAMP RH	1	
8	8432	SCREW FOR FIXING PARKING LAMP ASSY./PAN SEY TP SC	2	
8	15900	HEAD LAMP SECURING SCREW/PAN SELF TAP SCREW	3	
9	219528	BULB 12V 35/35W	2	
10	925581	INDICATOR LIGHT BULB 12V 21W AMBER COLOUR	2	
11	119735	PROTECTION SECURING SPRING/SPR. FOR PROTECTION	4	
12	127179	SPRING FOR HEAD LAMP / SPRING	2	
13	15900	HEAD LAMP SECURING SCREW/PAN SELF TAP SCREW	6	
14	567593	BULB 12V 5W / LAMP 4W	2	
15	925579	H.L. LATERAL LAMP LENSE RH - NEOLITE	1	
15	925580	H.L. LATERAL LAMP LENSE LH - NEOLITE	1	
15	925578	H.L. LATERAL LAMP LENSE LH - LUMAX	1	
15	925577	H.L. LATERAL LAMP LENSE RH - LUMAX	1	
16	587670R	SWITCH 3 POSITION	1	
17	925587	LATERAL LAMP ASSY. RH (NEOLITE)	1	
17	925597	LATERAL LAMP ASSY. LH (NEOLITE)	1	
17	925588	LATERAL LAMP ASSY. RH (LUMAX)	1	
17	925598	LATERAL LAMP ASSY. L H (LUMAX)	1	
18	643500	LOCK SET WITH KEYS (PU) (COMMON KEY)	1	
18	B024739	STARTER/IGN SWITCH ASSLYWITH KEY PLASTIC	1	
19	587974R	WIPER MOTOR SWITCH/ SWITCH WIPER MOTOR	1	
20	119975	GROMMET	2	
21	661510R	INSTRUMENT CLUSTER WITH SHIFTED SPEEDOMETER - (INDICATION)	1	
22	71633	STOP AND PARKING BULB 12V 10/5 W	1	
23	660826R	HAZARD WARNING SWITCH WITH CROWN CAP (12V)(VE)	1	
24	664153R	MOBILE CHARGER SOCKET	1	
25	150041R	CABIN LIGHT ASSY. (W/O BULB)	1	
26	15727	PAN SELF TAPPING SCREW	4	
26A	3054	PLAIN WASHER	4	
27	B023726R	REMOTE CONTROL SWITCH	1	
28	16406	SPRING WASHER	1	
29	3056	PLAIN WASHER	1	
30	31088	HEX HD SCREW M6 X 16 CL 8.8 (811061623)	1	
31	B002101	STARTER SAFETY SWITCH ASSLY.	1	

PLATE-28
ELECTRICAL DEVICES

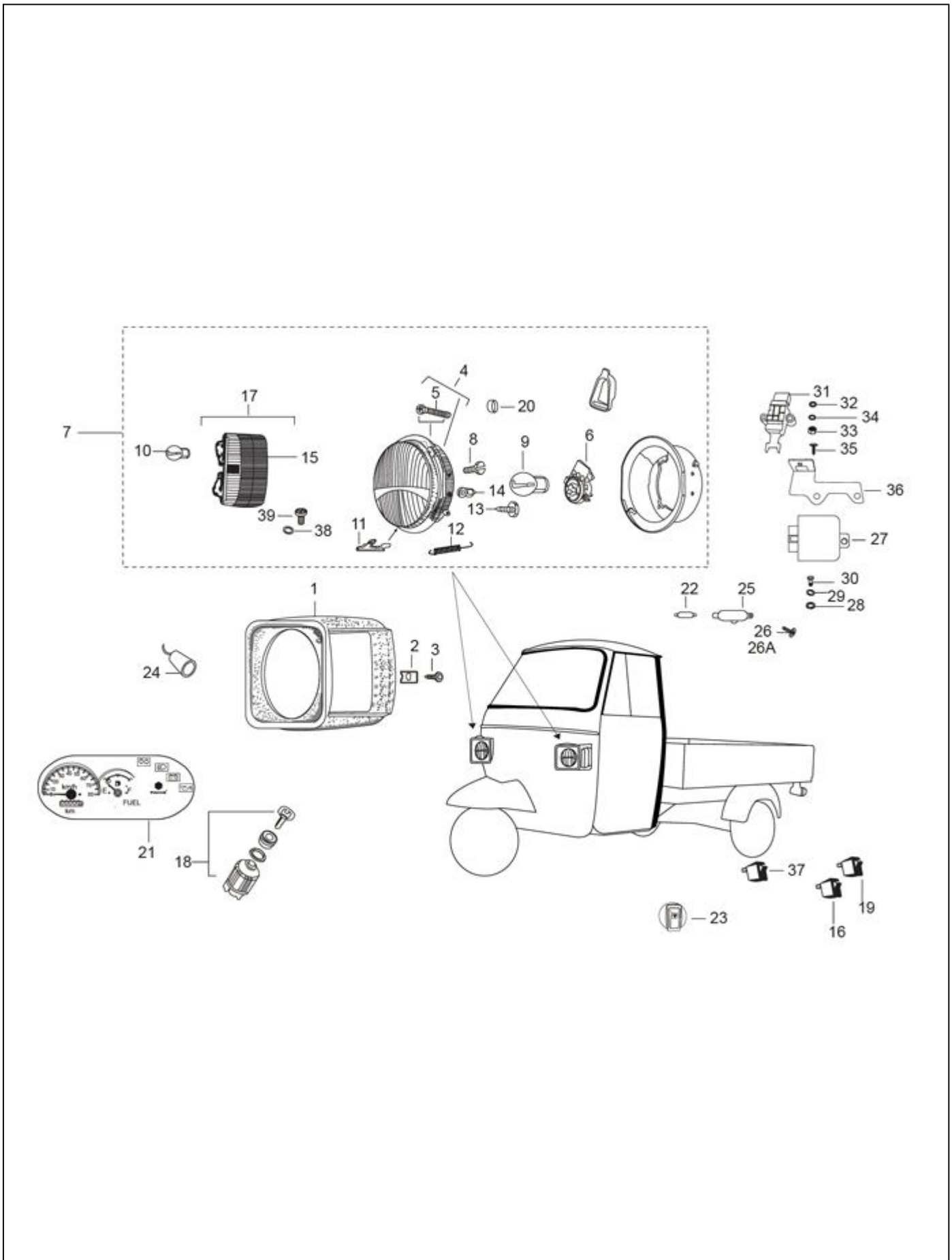


PLATE-28**ELECTRICAL DEVICES**

Fig. No.	Part No.	Description	Qty	Remarks
32	16404	SPRING WASHER M4	2	
33	20104	HEX NUT M4	2	
34	3054	PLAIN WASHER	4	
35	B001503	PHILP RD HD SCREW (M4 X 20)	2	
36	661437	D.C BRACKET (FOR STARTER SAFETY SWITCH)	1	
37	B003727	RELAY 12V-NC - CNG 587671R	1	
38	3055	RAW WASHER(808000527)	2	
39	661925	PHILIP PAN HEAD SCREW (M5 X 0.8 X 1.6)	4	

PLATE-29
ELECTRICAL DEVICES

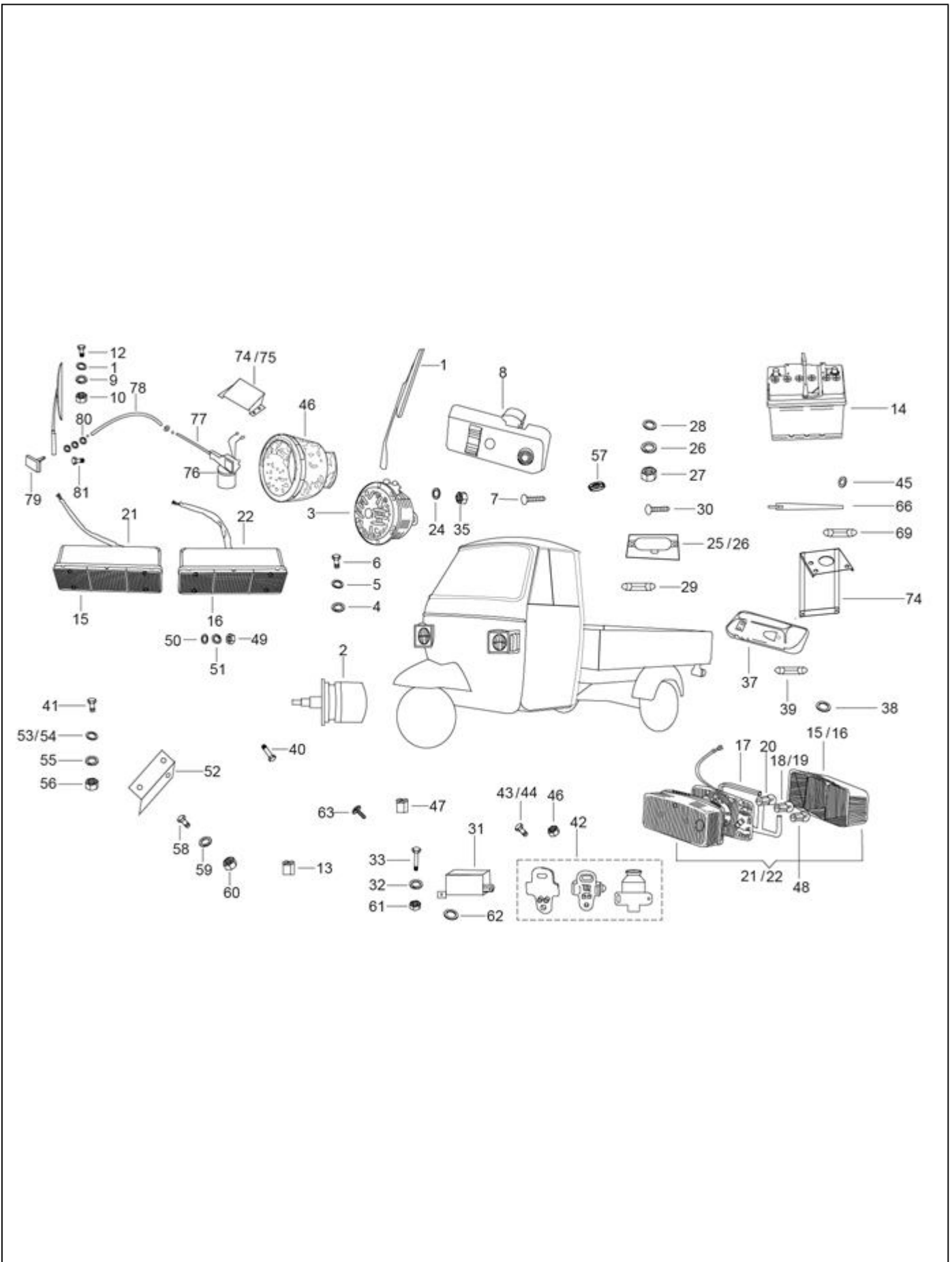


PLATE-29**ELECTRICAL DEVICES**

Fig. No.	Part No.	Description	Qty	Remarks
1	632292	WIPER ARM & BLADE ASSY	1	
2	632995	WIPER MOTOR ASSY. WITH MTG. BKT. (N.I.)	1	
3	B04100R	HORN 3 WH _ E MARK	1	
4	16408	SPRING WASHER M8	1	
5	3058	PLAIN WASHER 15X8.4X1.5	1	
6	31116	HEX HD. SCREW M8X16	1	
7	15640	SCREW SECURING SWITCH	1	
8	B073366	HANDLE BAR SWITCH ASSLY-NEW	1	
9	16406	SPRING WASHER	6	
10	20106	HEX NUT M6	6	
11	3056	PLAIN WASHER	6	
12	31088	HEX HD SCREW M6 X 16 CL 8.8 (811061623)	6	
13	604557	FUSE (10A)	6	
14	587650R	BATTERY 12V 35AH	1	
15	920083	TAIL LAMP LENSE LH WITH HARDWARE & GASKET	13	
16	920084	TAIL LAMP LENSE RH WITH HARDWARE & GASKET	1	
17	925212	PACKING	1	
18	181746	INDICATOR BULB 12V 10W	2	
19	925581	INDICATOR LIGHT BULB 12V 21W AMBER COLOUR	2	
20	567700	BULB 10/5W	2	
21	643704R	TAIL LAMP ASSY. LH	1	
22	643705R	TAIL LAMP ASSY. RH	1	
23	925571	CABLE RACK (033200/PGO)	1	
24	16408	SPRING WASHER M8	1	
25	150041R	CABIN LIGHT ASSY. (W/O BULB)	1	
26	16406	SPRING WASHER	2	
27	20106	HEX NUT M6	2	
28	3056	PLAIN WASHER	2	
29	71633	STOP AND PARKING BULB 12V 10/5 W	1	
30	15727	PAN SELF TAPPING SCREW	2	
31	B023727R	ELECTRONIC FLASHER	1	
32	12546	PLAIN WASHER / MULTI TOOTH LOCK WASHER M5	2	
33	31057	HEX HEAD SCREW M5 X 14 CL 8.8	2	
34	3055	RAW WASHER(808000527)	2	
35	20105	HEX NUT M5	2	
36	20108	HEX NUT M8	1	
37	150915R	REGISTRATION PLATE LAMP ASSY	1	
38	12536	SPRING WASHER	1	
39	71633	STOP AND PARKING BULB 12V 10/5 W	1	
40	8451	PAN SELF TP SCREW 6 SGX13 AB	2	
41	31058	HEX HEAD SCREW M5 X 16 CC8.8	2	
42	567498R	BRAKE/REVERSE LIGHT SW (INTEGRAL CAP)-PAV	1	

PLATE-29
ELECTRICAL DEVICES

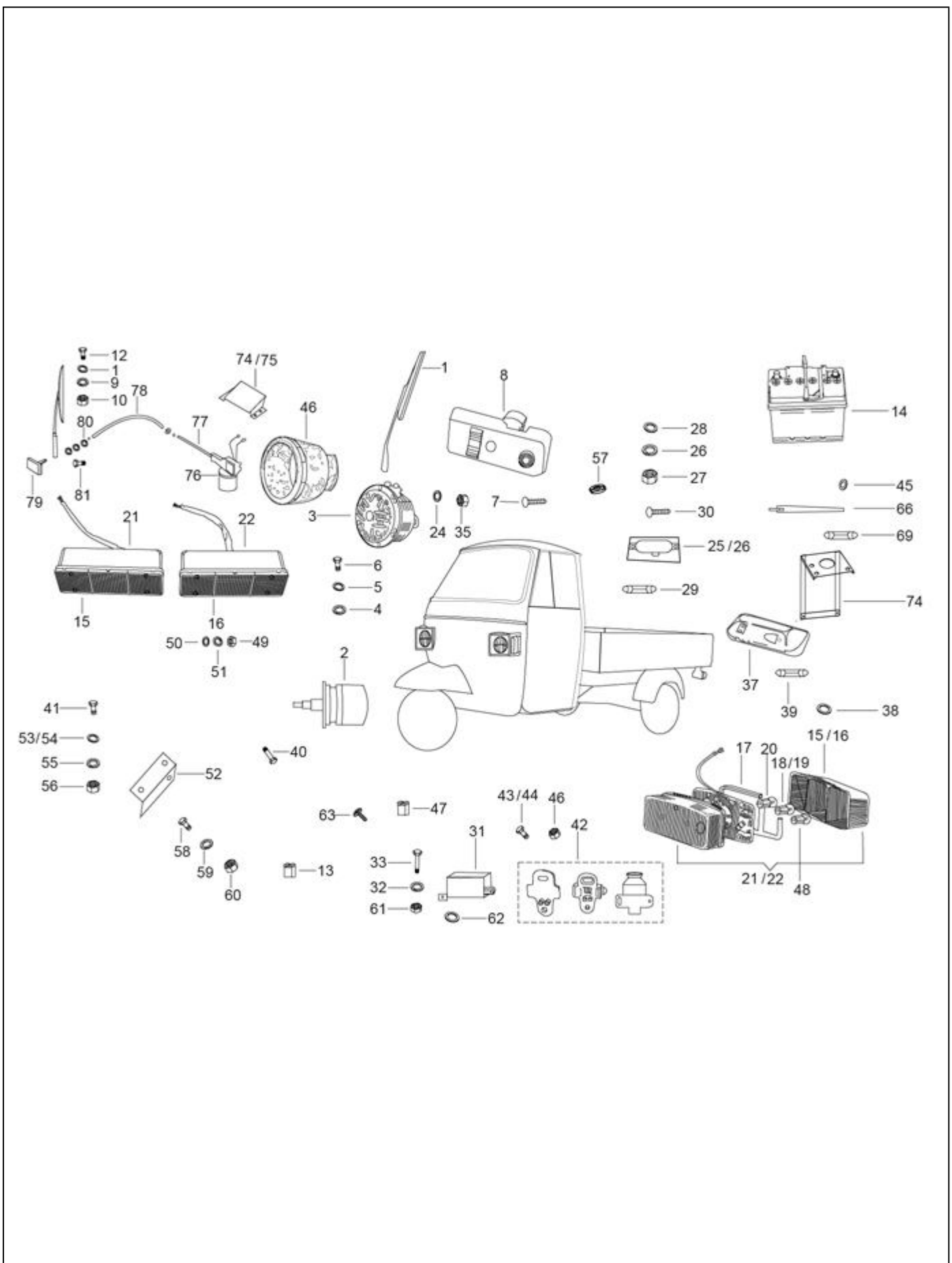


PLATE-29**ELECTRICAL DEVICES**

Fig. No.	Part No.	Description	Qty	Remarks
43	568750	PLAIN RDHD SCREW M4 X 16	2	
44	15996	PHIL RD HD SCREW M4X12	2	
45	3054	PLAIN WASHER	2	
46	645041	HORN PROTECTION	1	
47	567706	FUSE 30 A	1	
48	181747	REVERSE LAMP BULB 12V 5W	2	
49	12136	NUT / NYLOCK NUT M5	2	
50	6078	PLAIN WASHER 12 X 5.2 X 1	2	
51	16405	SPRING WASHER M5	2	
52	660109	FUSE BOX BKT	1	
53	3055	RAW WASHER(808000527)	4	
54	6078	PLAIN WASHER 12 X 5.2 X 1	4	
55	6965	SPRING WASHER	2	
56	20105	HEX NUT M5	2	
57	77055	RING	1	
58	31056	HEX HEAD SCREW M5 X 10 - CL8.8	2	
59	6965	SPRING WASHER	2	
60	20105	HEX NUT M5	1	
61	20105	HEX NUT M5	1	
62	3055	RAW WASHER(808000527)	1	
63	15911	PAN SELF TAP SCREW 8SG X 16 AB	1	
64	925567	GEAR PLATE ASSLY (034500/4)	1	
65	569165	DOME NUT	1	
66	632415	STRAP ASSY.	1	
67	568714	BATTERY COVER	1	
68	661231	CIRCLIP STEERING LOCK DIA 16 (INT)	1	
69	925584	BULB (N.I.)	1	
70	925585	LENS MOUNTING SCREW FOR LATERAL LAMP - NEOLITE MAKE	1	
71	925589	LENSE MOUNTING SCREW (N.I.)	1	
72	925605	TAIL LAMP GLASS - RH (LUMAX)	1	
73	925604	TAIL LAMP GLASS - LH (LUMAX)	1	
74	569166	WIPER MOTOR MOUNTING BRACKET	1	
75	632995	WIPER MOTOR ASSY. WITH MTG. BKT. (N.I.)	1	
76	604506	BUNDY TUBE OUTER	1	
77	632285	BUNDY TUBE (MOTOR TO WHEEL BOX)	1	
78	604506	BUNDY TUBE OUTER	1	
79	569197	WHEEL BOX ASSY. (MOD.)	1	
80	3054	PLAIN WASHER	2	
81	661925	PHILIP PAN HEAD SCREW (M5 X 0.8 X 1.6)	4	
82	925572	BRUSH CARD ASSLY (033300/PGO)	1	

PLATE-30
OPEN BOX BODY (PICK-UP)

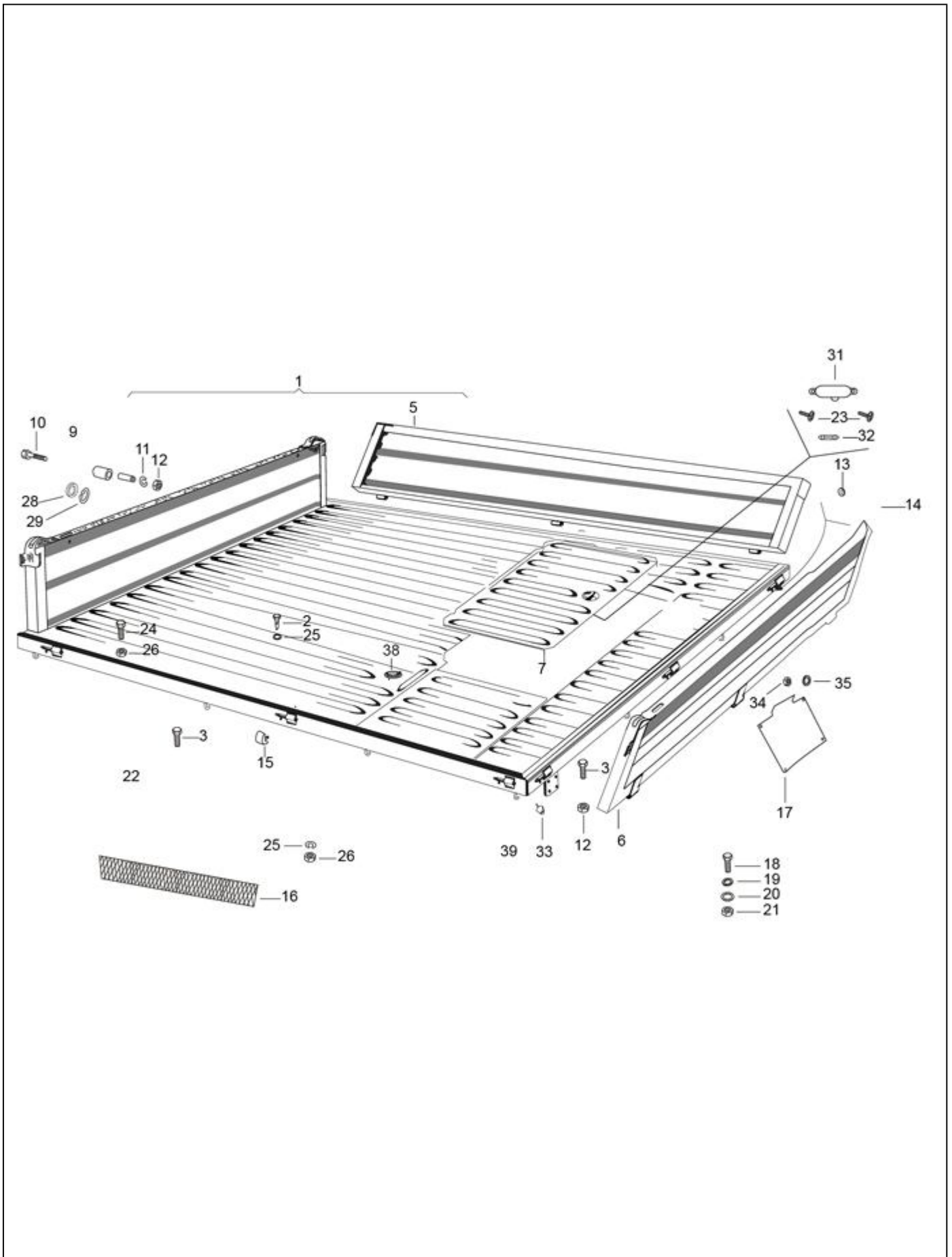


PLATE-30**OPEN BOX BODY (PICK-UP)**

Fig. No.	Part No.	Description	Qty	Remarks
1	B042530BW	FLAT CAR ASSLY XTRA 501 LD DTL PANEL-BW	1	BSIII
1	B042530CB	FLAT CAR ASSLY XTRA 501 LD DTL PANEL-CB	1	BSIII
1	B042530GY	FLAT CAR ASSLY XTRA 501 LD DTL PANEL-GY	1	BSIII
1	B042530WR	FLAT CAR ASSLY XTRA 501 LD DTL PANEL-WR	1	BSIII
1	B042530CO	FLAT CAR ASSLY XTRA 501 LD DTL PANEL-CO	1	BSIII
1	B042530SY	FLAT CAR ASSLY XTRA 501 LD DTL PANEL-CO	1	BSIII
1	B042516SY	FLAT CAR ASSLY 501 PU (DTL PANELS) - SY	1	BSIII
1	B042516BW	FLAT CAR ASSLY 501 PU (DTL PANELS) - BW	1	BSIII
1	B042516WR	FLAT CAR ASSLY 501 PU (DTL PANELS) - WR	1	BSIII
1	B042516CB	FLAT CAR ASSLY 501 PU (DTL PANELS) - CB	1	BSIII
1	B042516GY	FLAT CAR ASSLY 501 PU (DTL PANELS) - GY	1	BSIII
1	B006835BG	HIGH BODY ASSLY WITH TAIL GATE(GL435) BG	1	BSIII
1	B006835BW	HIGH BODY ASSLY WITH TAIL GATE (GL435)BW	1	BSIII
1	B006835CB	HIGH BODY ASSLY WITH TAIL GATE (GL435)CB	1	BSIII
1	B006835GY	HIGH BODY ASSLY WITH TAIL GATE (GL435)GY	1	BSIII
1	B006835WR	HIGH BODY ASSLY WITH TAIL GATE (GL435)WR	1	BSIII
1	B006835SY	HIGH BODY ASSLY WITH TAIL GATE (GL435)SY	1	BSIII
2	8265	SELF TAPPING SCREW	12	Common
3	31119	HEX HD SCREW M8 X 25	6	Common
4	643500	LOCK SET WITH KEYS (PU) (COMMON KEY)	1	Common
5	B042513ED	SIDE PANEL ASSLY PICK UP (DTL) -CED	1	Cargo
6	B042505ED	TAIL GATE PANEL DTL 501 PICK UP/LD-CED	1	Common
7	B001186ED	ENGINE INSPECTION DOOR 3W BSIII - CED	1	501- Passenger, Cargo,LD
8	109361	BUFFER (ENGINE INSPECTION COVER)	2	501- Passenger, Cargo,LD
9	128804ED	LH LEVER FOR CLAMPING THE SIDE PANEL CED	1	Cargo, LD
9	128805ED	RH LEVER FOR CLAMPING THE SIDE PANEL CED	1	Cargo, LD
10	30074	HEX HEAD BOLT M8 X 40 CL 8.8	2	Common
11	16408	SPRING WASHER M8	8	Common
12	20108	HEX NUT M8	4	Common
13	3057	PL. WASHER 13 X 7 X 1	4	Common
14	12778	SPLIT PIN 3 X 20	2	Cargo, LD
15	127046	BUFFER	4	Common
16	661262	YELLOW REFLECTIVE TAPE	2	Common
18	643661	LICENSE PLATE MTG. BKT.	1	501- Passenger, Cargo,LD
19	31058	HEX HEAD SCREW M5 X 16 CC8.8	4	Common
20	16405	SPRING WASHER M5	4	Common
21	20105	HEX NUT M5	4	Common
22	3055	RAW WASHER(808000527)	4	Common
23	16603	PLAIN WASHER (METALLIC)	8	Common
24	15727	PAN SELF TAPPING SCREW	4	501- Passenger, Cargo,LD
25	31089	HEX HEAD SCREW M6X18 CL 8.8	6	Common
26	16406	SPRING WASHER	4	Common

PLATE-30
OPEN BOX BODY (PICK-UP)

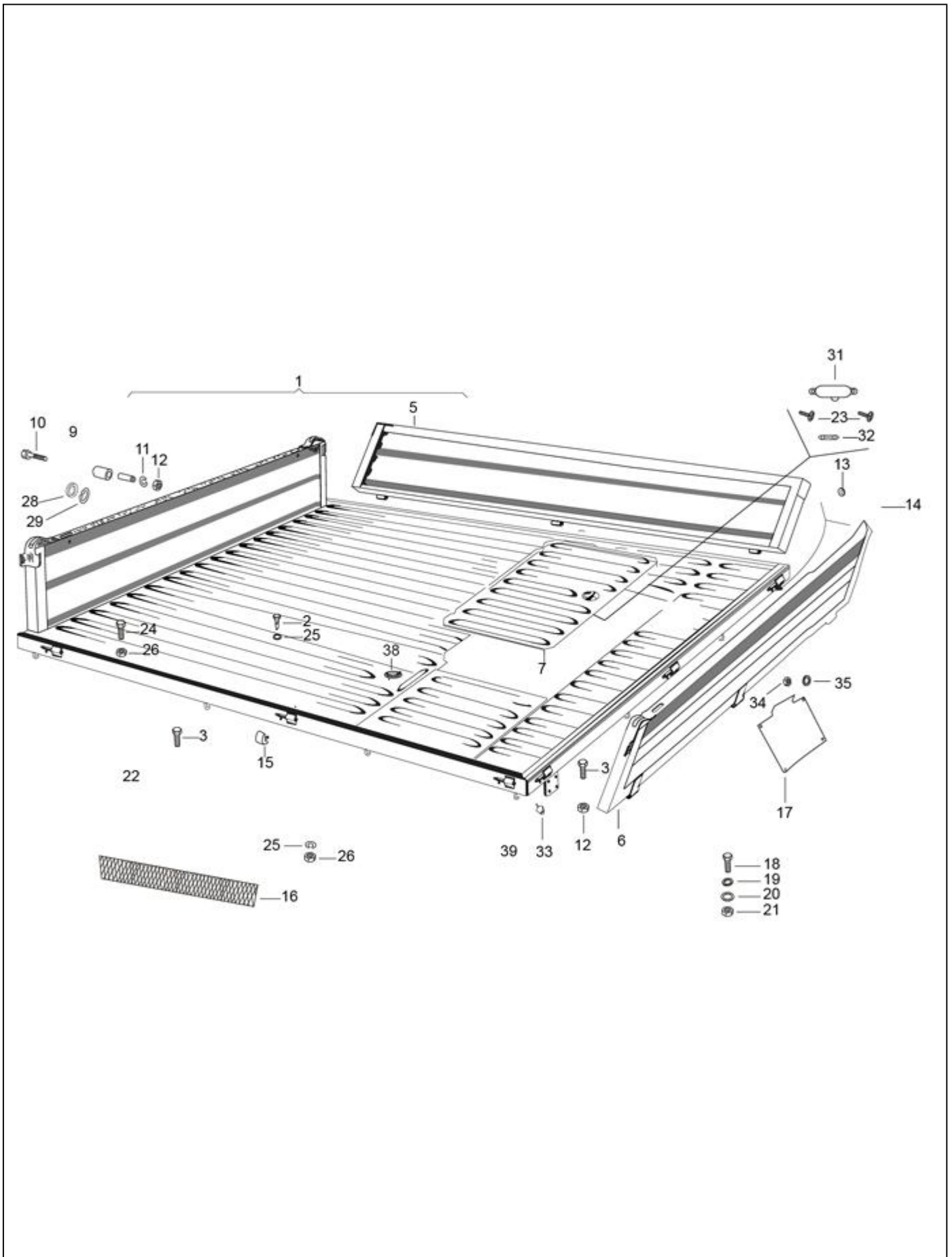


PLATE-30**OPEN BOX BODY (PICK-UP)**

Fig. No.	Part No.	Description	Qty	Remarks
27	20106	HEX NUT M6	4	Common
28	12138	NYLOCK NUT M6	2	Common
29	3058	PLAIN WASHER 15X8.4X1.5	8	Common
30	5967	CIRCLIP / DIA 7E	4	Common
31	12778	SPLIT PIN 3 X 20	4	Common
32	150041R	CABIN LIGHT ASSY. (W/O BULB)	1	Common
33	71633	STOP AND PARKING BULB 12V 10/5 W	1	Common
34	567732	BUFFER	2	501- Passenger, Cargo,LD
35	20106	HEX NUT M6	2	Common
36	16406	SPRING WASHER	2	Common
39	662323	PIAGGIO TAIL GATE (YESHSHREE) STICKER FOR LIGHT COLOUR SHADE	1	Cargo, LD

PLATE-31
CLOSED BODY (DELIVERY VAN)

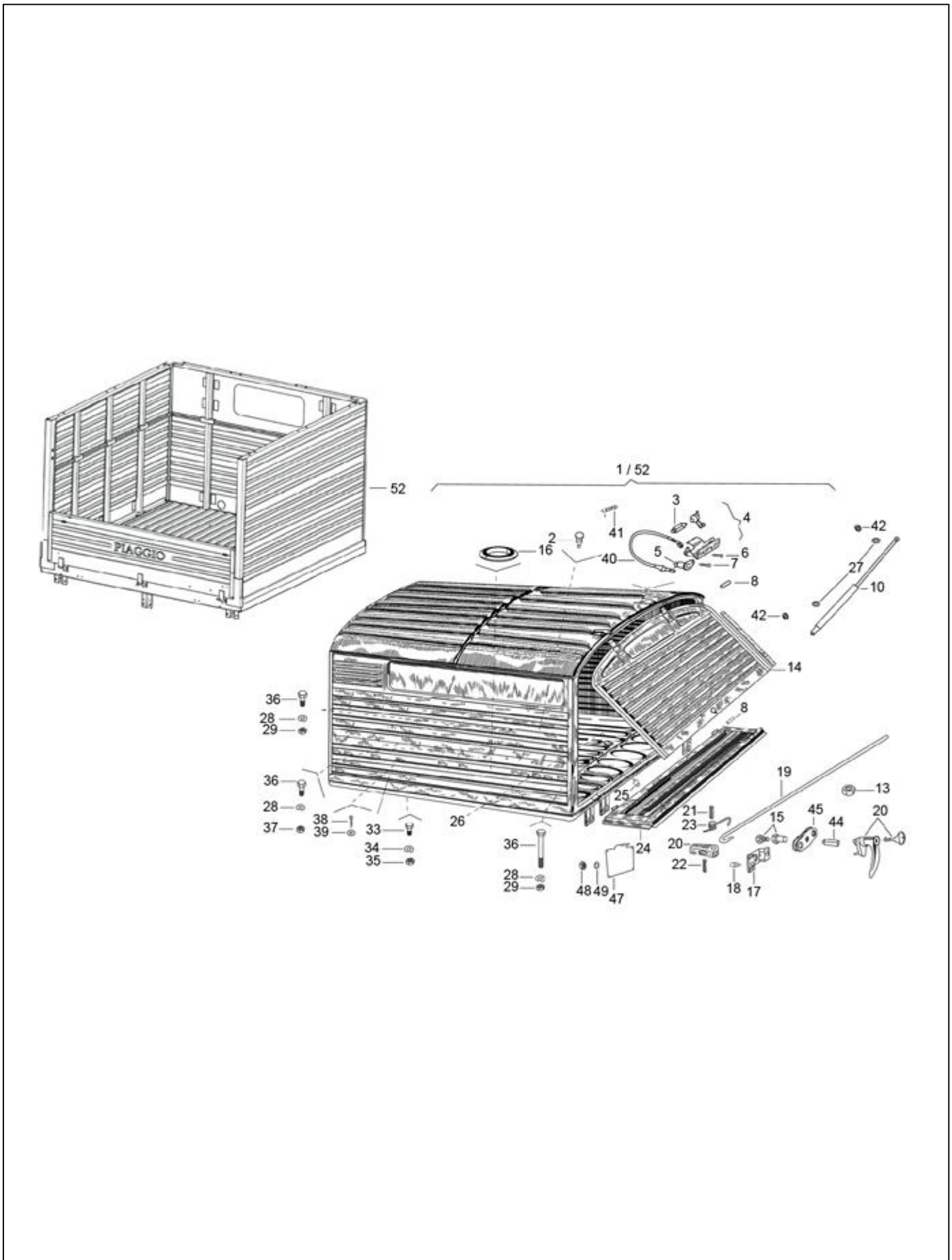


PLATE-31**CLOSED BODY (DELIVERY VAN)**

Fig. No.	Part No.	Description	Qty	Remarks
1	B006878SY	DELIVERY VAN WITH REAR HATCH (GL435) SY	1	BSIII
1	B006878CB	DELIVERY VAN WITH REAR HATCH (GL435) CB	1	BSIII
1	B006878GY	DELIVERY VAN WITH REAR HATCH (GL435) GY	1	BSIII
1	B006878WR	DELIVERY VAN WITH REAR HATCH (GL435) WR	1	BSIII
1	B006878BW	DELIVERY VAN WITH REAR HATCH (GL435) BW	1	BSIII
2	109361	BUFFER (ENGINE INSPECTION COVER)	2	Common
3	71633	STOP AND PARKING BULB 12V 10/5 W	3	Common
4	567576	LIGHT ASSY.	1	Common
5	8103	PUSH BUTTON SWITCH	1	Common
6	15727	PAN SELF TAPPING SCREW	2	Common
7	15846	CSK SELF TAPPING SCREW	1	Common
8	17701	SPRING PIN 6 X 50	4	Common
9	643501	LOCK SET WITH KEYS (DELIVERY VAN) COM.KEY	1	Common
10	198101	GAS SPRING	1	Common
11	568151	PACKING REAR SHUTTER	1	Common
12	B024166	HANDLY ASSLY WITH KEY	2	Common
13	12136	NUT / NYLOCK NUT M5	3	Common
14	B002846	REAR UPPER HATCH WITH I.P. (CED)	1	Common
15	604563	SCREW TERMINAL ASSEMBLY (D.V. DOOR)	2	Common
16	B024501	PLASTIC COVER PLUG-CARGO	1	Common
17	568163	LEVER STOP BRACKET	1	Common
18	8451	PAN SELF TP SCREW 6 SGX13 AB	8	Common
19	140090	HOOK CONTROL PULLER	2	Common
20	141663	LOCK PAWL THIK = 2.0	1	Common
21	141666	PIN DOWEL	2	Common
22	8847	SPRING PIN 6X64	6	Common
23	141664	PAW RETURN SPRING	2	Common
24	B002820	LOWER REAR HATCH WITH PI (CED)	1	Common
25	567732	BUFFER	2	Common
26	B001186ED	ENGINE INSPECTION DOOR 3W BSIII - CED	1	Common
27	3058	PLAIN WASHER 15X8.4X1.5	5	Common
28	16408	SPRING WASHER M8	6	Common
29	20105	HEX NUT M5	4	Common
32	567698	INTERNAL REINFORCEMENT RR, DEL.VAN BOX	1	Common
33	31088	HEX HD SCREW M6 X 16 CL 8.8 (811061623)	6	Common
34	16408	SPRING WASHER M8	4	Common
35	20106	HEX NUT M6	4	Common
36	31119	HEX HD SCREW M8 X 25	6	Common
37	12138	NYLOCK NUT M6	2	Common
38	8265	SELF TAPPING SCREW	6	Common
39	16603	PLAIN WASHER (METALLIC)	6	Common
40	567703R	EARTH CABLE _DELIVERY WAGON	1	Common

PLATE-31
CLOSED BODY (DELIVERY VAN)

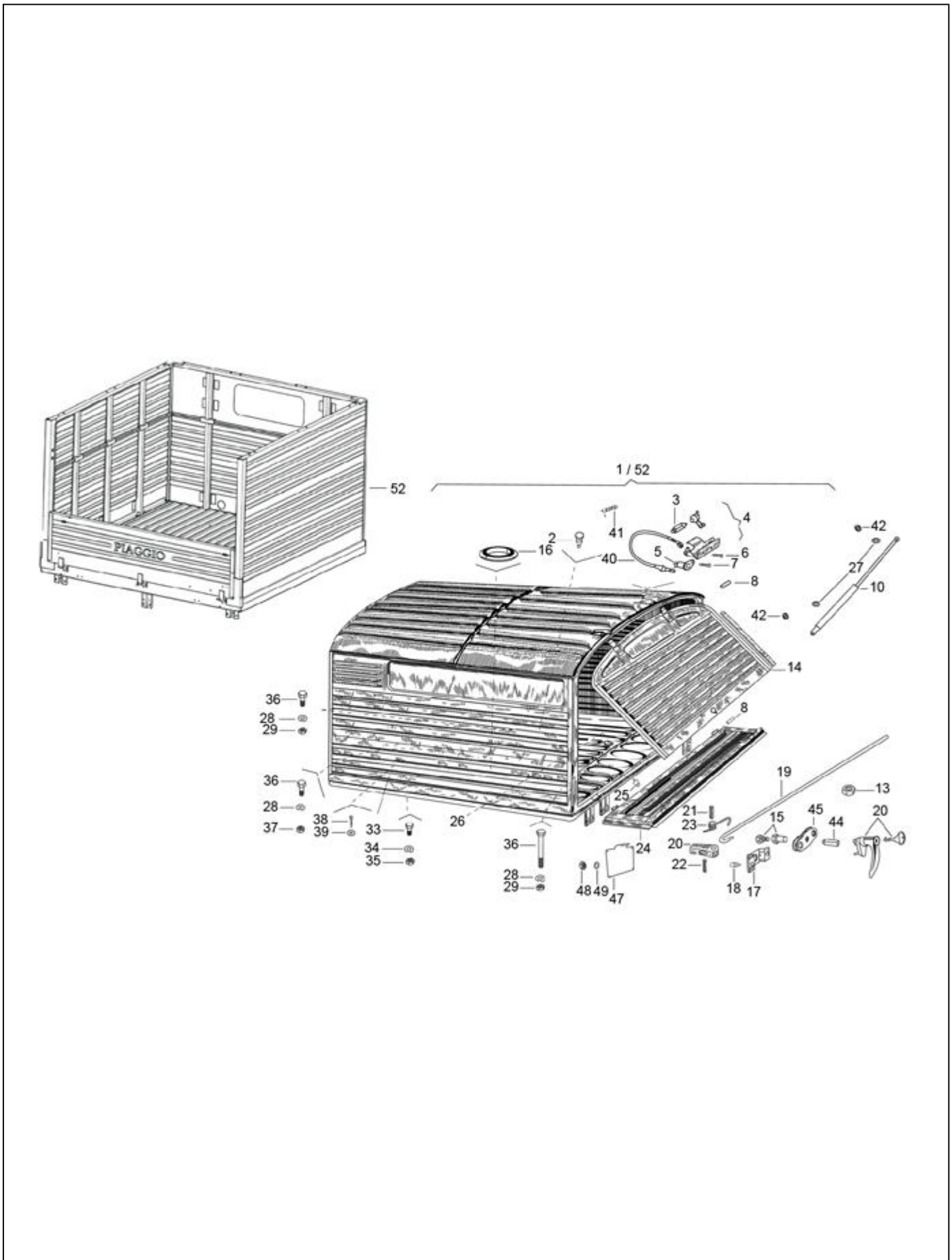


PLATE-31**CLOSED BODY (DELIVERY VAN)**

Fig. No.	Part No.	Description	Qty	Remarks
41	604557	FUSE (10A)	1	Common
42	12778	SPLIT PIN 3 X 20	2	Common
44	217166	LEVER CONTROL PIN	1	Common
45	217167	PLATE FOR PULLER LEVER ASSEMBLY	1	Common
46	142244	GASKET	1	Common
47	643661	LICENSE PLATE MTG. BKT.	1	Common
48	20106	HEX NUT M6	2	Common
49	16406	SPRING WASHER	2	Common
50	643501	LOCK SET WITH KEYS (DELIVERY VAN) COM.KEY	1	Common
51	568164R	DELIVERY VAN WIRING HARNESS GROUP	1	Common

PLATE-32
CABLE HARNESS

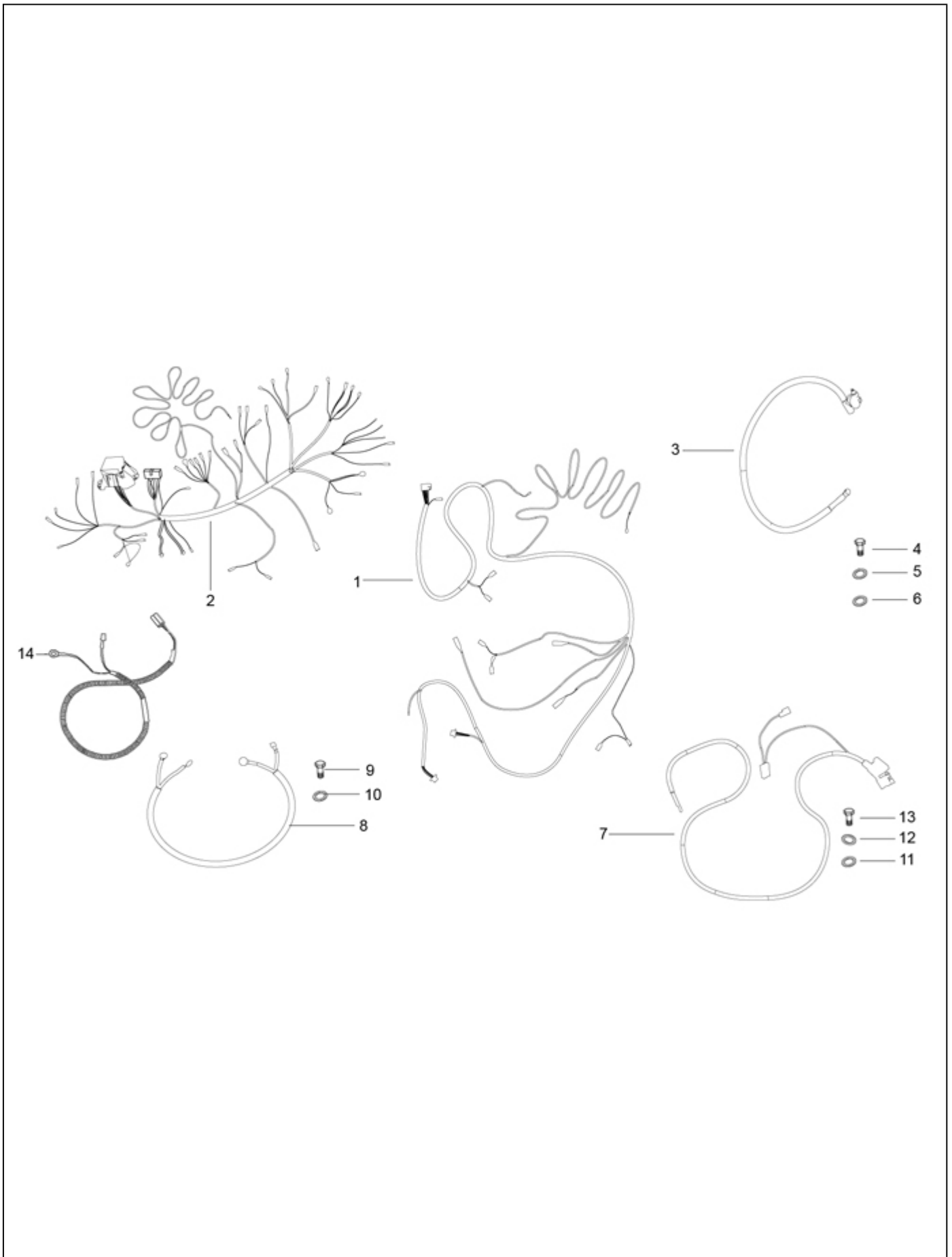


PLATE-32**CABLE HARNESS**

Fig. No.	Part No.	Description	Qty	Remarks
1	661482	WIRING HARNESS FRAME (FOR S.S.SW)	1	
1	B003236	WIRING HARNESS FRAME 435 - LD	1	
1	B006893	W/HS FRAME FOR DV (GL 435)	1	
2	B002510R	WHS INST PANEL(IG SW WITH COUPLER)-VISON	1	
3	644838R	BATTERY CABLE -VE	1	
4	31088	HEX HD SCREW M6 X 16 CL 8.8 (811061623)	1	
5	3056	PLAIN WASHER	1	
6	16406	SPRING WASHER	1	
7	567484	STARTER CABLE GROUP	1	
8	31116	HEX HD. SCREW M8X16	1	
9	3058	PLAIN WASHER 15X8.4X1.5	1	
10	16406	SPRING WASHER	1	
11	3056	PLAIN WASHER	1	
12	31088	HEX HD SCREW M6 X 16 CL 8.8 (811061623)	1	
13	661491	PIG TAIL- CABIN LAMP	1	
14	B073320R	PIG TAIL- CABIN LAMP (NEW)-PASSENGER NI	1	

PLATE-33

FRONT BRAKE ASSEMBLY SELF ADJUSTING (DIA 180 X 40 MM)

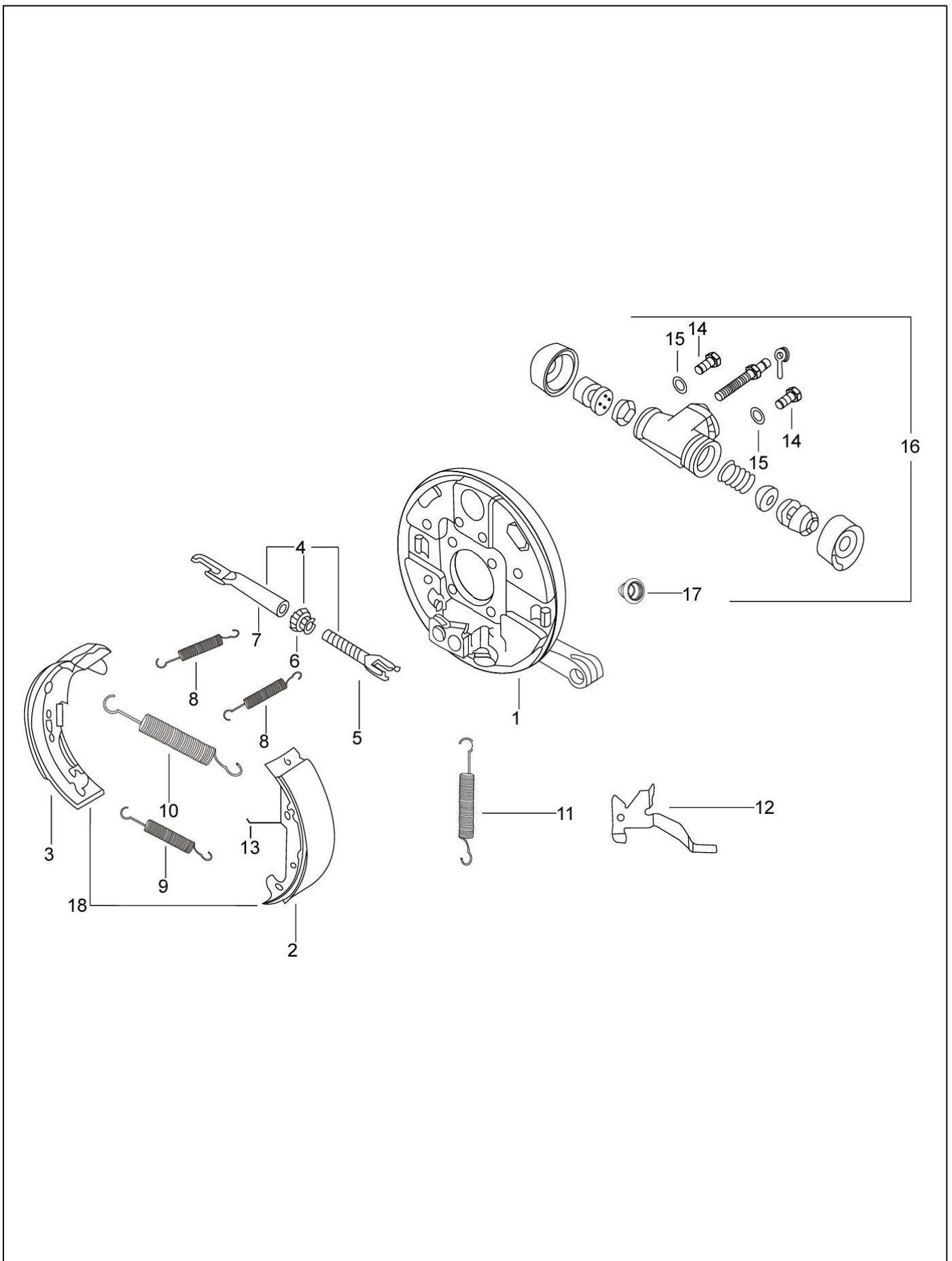


PLATE-33**FRONT BRAKE ASSEMBLY SELF ADJUSTING (DIA 180 X 40 MM)**

Fig. No.	Part No.	Description	Qty	Remarks
1	616541	BRACKET WHEEL CARRIER WITH PI	1	BSII
2	B003784	LEADING SHOE COMP WITH PIN LH ANL 1643	1	
3	652356	TRAILING SHOE COMPLETE	1	BSIII
4	179056	FORK ASSY LH	1	
5	178804	FORK FOR LH WHEEL	1	
6	178805	LH - GEAR	1	
7	178806	LH STRUT	1	
8	602497	JAWS STOP SPRINGS	2	
9	116088	SPRING SUPPORTING JAWS	1	
10	245038	SHOE RETURN SPRING	1	
11	178808R	LEVER RETURN SPRING	1	
12	178807	LEVER LH	1	
13	178823	JUMPER LH	1	
13	178824	JUMPER	1	
14	63440	BOLT M6X12	2	
15	12536	SPRING WASHER	2	
16	587616	BRAKE CYLINDER FR ASSLY (DIA. 22.225)	1	
17	925501	CAP (KBX P 6450225)	1	
18	940004	FRONT BRAKE SHOE KIT COMPRISING OF 2 & 3	1	
19	925521	MINOR KIT WHEEL CYL. FRT (KBX 1007) NI	1	

PLATE-34

REAR BRAKE ASSEMBLY SELF ADJUSTING (DIA 180 X 40 MM)

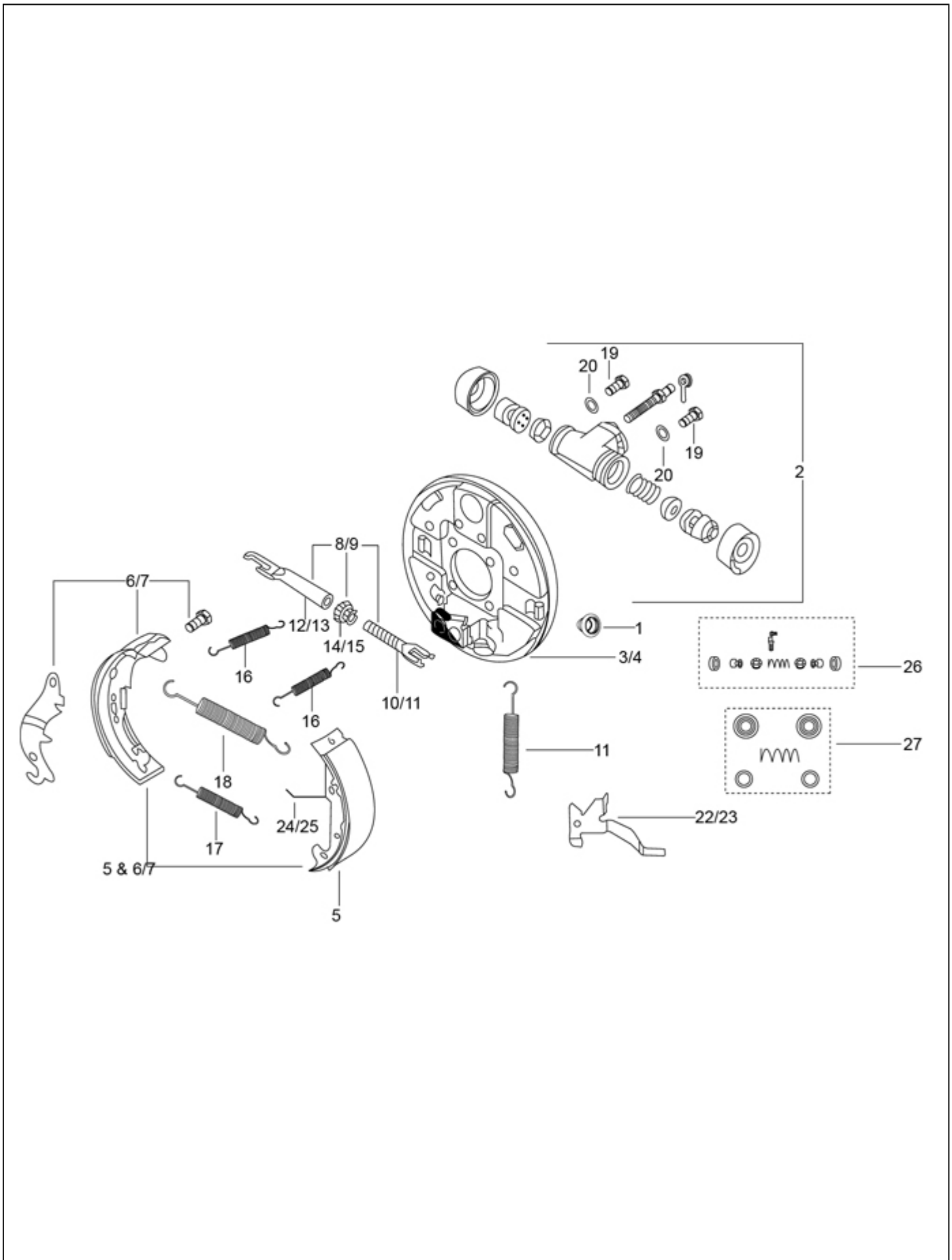


PLATE-34**REAR BRAKE ASSEMBLY SELF ADJUSTING (DIA 180 X 40 MM)**

Fig. No.	Part No.	Description	Qty	Remarks
1	925501	CAP (KBX P 6450225)	1	
2	587615	WHEEL CYLINDER ASSLY (DIA.25.4)	1	
2	632148	WHEEL CYLINDER ASSY. FRONT DIA. (25.4 MM)	1	
3	602120	LEFT BRAKE JAW HOLDING CABLE PLATE	1	
4	602123	RIGHT BRAKE JAW HOLDING CABLE PLATE	1	
5	B003784	LEADING SHOE COMP WITH PIN LH ANL 1643	1	
6	652360	TRAILING SHOE WITH HBL LH	1	
7	652361	TRAILING SHOE WITH HBL RH	1	
8	179056	FORK ASSY LH	1	
9	179057	FORK ASSY. RH	1	
10	178804	FORK FOR LH WHEEL	1	
11	178818	RH FORK	1	
12	178806	LH STRUT	1	
13	178820	RH STRUT	1	
14	178805	LH - GEAR	1	
15	178819	RH GEAR	1	
16	602497	JAWS STOP SPRINGS	2	
17	116088	SPRING SUPPORTING JAWS	1	
18	245038	SHOE RETURN SPRING	1	
19	63440	BOLT M6X12	2	
20	12536	SPRING WASHER	2	
21	178808R	LEVER RETURN SPRING	1	
22	178807	LEVER LH	1	
23	178821	LEVER RH	1	
24	178823	JUMPER LH	1	
25	178824	JUMPER	1	
26	925573	WHEEL CYLINDER MAJOR KIT (N.I)	1	
27	925574	MINOR KIT WHEEL CYLINDER	1	
28	940005	REAR BRAKE SHOE SET L/H COMPRISING OF 5 & 7	1	
29	940006	REAR BRAKE SHOE SET R/H. COMPRISING OF 5 & 8	1	

PARTS INDEX

ape xtra DV

PART NO	BLOCK	PART NO	BLOCK	PART NO	BLOCK
105392	PLATE-19	116088	PLATE-34	12540	PLATE-22
107718	PLATE-25	116103	PLATE-21	12540	PLATE-22
107732	PLATE-25	116333	PLATE-23	12540	PLATE-23
107827	PLATE-24	116334	PLATE-23	125411	PLATE-27
107870	PLATE-24	116839	PLATE-22	12546	PLATE-29
107870	PLATE-25	116971	PLATE-23	12546	PLATE-23
107871	PLATE-25	117401	PLATE-16	125998	PLATE-19
108215	PLATE-24	117402	PLATE-16	126003011	PLATE-15
108215	PLATE-25	117404	PLATE-16	126004015	PLATE-15
108356	PLATE-23	118447	PLATE-19	126021013	PLATE-15
108785	PLATE-27	118806	PLATE-26	126022017	PLATE-15
108800	PLATE-23	119181	PLATE-26	126050014	PLATE-15
108801	PLATE-23	119278	PLATE-26	126052012	PLATE-15
108804	PLATE-23	119278	PLATE-27	126053016	PLATE-15
108805	PLATE-23	119278	PLATE-16	126054010	PLATE-15
108873	PLATE-25	119735	PLATE-28	126060019	PLATE-15
108874	PLATE-25	119928	PLATE-26	126902	PLATE-26
109011	PLATE-19	119975	PLATE-28	127012019	PLATE-17
109012	PLATE-19	120159014	PLATE-17	127013013	PLATE-17
109012	PLATE-19	120164019	PLATE-17	127016015	PLATE-16
109064	PLATE-25	120170018	PLATE-17	127046	PLATE-30
109066	PLATE-25	120203011	PLATE-16	127101016	PLATE-13
109117	PLATE-25	120204015	PLATE-14	127102010	PLATE-13
109120	PLATE-23	120205019	PLATE-14	127103014	PLATE-16
109121	PLATE-23	120212012	PLATE-13	127109018	PLATE-13
109227	PLATE-26	120238016	PLATE-17	127111011	PLATE-16
109263	PLATE-23	120271018	PLATE-13	127112015	PLATE-16
109265	PLATE-25	120302013	PLATE-16	127119013	PLATE-13
109361	PLATE-30	120321019	PLATE-16	127121016	PLATE-16
109361	PLATE-31	120322013	PLATE-16	127141016	PLATE-16
109404	PLATE-26	12136	PLATE-29	127171011	PLATE-13
109635	PLATE-26	12136	PLATE-31	127171310	PLATE-13
109775	PLATE-26	12136	PLATE-13	127179	PLATE-28
109892	PLATE-24	12136	PLATE-23	127182010	PLATE-17
111353	PLATE-16	12138	PLATE-26	127185012	PLATE-17
111356	PLATE-16	12138	PLATE-30	127203010R	PLATE-14
111498	PLATE-16	12138	PLATE-31	127290013	PLATE-17
112867R	PLATE-16	122032014	PLATE-14	127302517R	PLATE-14
112898	PLATE-16	125181	PLATE-26	127303016R	PLATE-14
113278	PLATE-16	125289	PLATE-25	127306513R	PLATE-14
114121	PLATE-28	12536	PLATE-29	127309515R	PLATE-14
115531	PLATE-23	12536	PLATE-33	127451019R	PLATE-14
116088	PLATE-33	12536	PLATE-34	127451	PLATE-26

PART NO	BLOCK	PART NO	BLOCK	PART NO	BLOCK
127460010	PLATE-17	129012013	PLATE-17	150041R	PLATE-29
127471019	PLATE-17	129015015	PLATE-17	150041R	PLATE-30
127501010	PLATE-16	129019011R	PLATE-17	150579	PLATE-25
127503018	PLATE-16	132129	PLATE-16	150915R	PLATE-29
127530011	PLATE-17	132134	PLATE-16	151924	PLATE-23
12761	PLATE-27	132136R	PLATE-16	152025	PLATE-23
127640012	PLATE-15	132244	PLATE-16	15235	PLATE-18
127641016	PLATE-15	136426	PLATE-24	152580	PLATE-24
127650017	PLATE-15	136434	PLATE-25	152580	PLATE-25
127660012	PLATE-15	136451	PLATE-24	15335	PLATE-13
127691011	PLATE-17	136888	PLATE-24	15335	PLATE-13
127692015	PLATE-17	136916	PLATE-18	15335	PLATE-16
127693019	PLATE-17	137026	PLATE-24	15335	PLATE-18
127730013	PLATE-17	137026	PLATE-24	15478	PLATE-26
127740018	PLATE-17	137235	PLATE-25	15478	PLATE-18
127741012	PLATE-17	13812	PLATE-27	15594	PLATE-24
127753015	PLATE-17	13812	PLATE-23	15618	PLATE-26
127754019	PLATE-17	138237	PLATE-27	15640	PLATE-29
127755013	PLATE-17	13861	PLATE-8	15641	PLATE-28
127757011	PLATE-17	13861	PLATE-19	157103	PLATE-24
127758015	PLATE-17	13861	PLATE-22	15727	PLATE-28
127759019R	PLATE-17	13861	PLATE-23	15727	PLATE-29
12778	PLATE-30	13880	PLATE-12	15727	PLATE-30
12778	PLATE-30	13880	PLATE-19	15727	PLATE-31
12778	PLATE-31	13880	PLATE-21	15727	PLATE-21
127794019	PLATE-17	13880	PLATE-21	15727	PLATE-21
127911019	PLATE-13	13935	PLATE-23	15727	PLATE-23
127912013	PLATE-13	140090	PLATE-31	157716	PLATE-21
127927R	PLATE-25	14034	PLATE-21	15846	PLATE-31
127928	PLATE-25	14034	PLATE-22	15900	PLATE-28
128009	PLATE-19	140603	PLATE-23	15900	PLATE-28
128010	PLATE-19	140728	PLATE-27	15900	PLATE-28
128060013	PLATE-16	140728	PLATE-23	15911	PLATE-29
128071012	PLATE-13	1413453025	PLATE-8	15911	PLATE-18
128081017	PLATE-15	141663	PLATE-31	15911	PLATE-20
128306015	PLATE-16	141664	PLATE-31	15911	PLATE-22
128307019	PLATE-16	141666	PLATE-31	15911	PLATE-22
128486	PLATE-24	141925	PLATE-26	15996	PLATE-29
128633	PLATE-24	142244	PLATE-31	16319	PLATE-26
128804ED	PLATE-30	142424	PLATE-22	163659	PLATE-23
128805ED	PLATE-30	142425	PLATE-22	163660	PLATE-23
129001014	PLATE-13	14628	PLATE-22	163661	PLATE-23
129011019	PLATE-17	150041R	PLATE-28	163663	PLATE-23

PART NO	BLOCK	PART NO	BLOCK	PART NO	BLOCK
163665	PLATE-23	16408	PLATE-13	178821	PLATE-34
163666	PLATE-23	16408	PLATE-13	178823	PLATE-33
163667	PLATE-23	16408	PLATE-16	178823	PLATE-34
163782	PLATE-23	16408	PLATE-18	178824	PLATE-33
163784	PLATE-23	16408	PLATE-18	178824	PLATE-34
16404	PLATE-28	16408	PLATE-18	179056	PLATE-33
16404	PLATE-16	16408	PLATE-19	179056	PLATE-34
16405	PLATE-29	16408	PLATE-19	179057	PLATE-34
16405	PLATE-30	16408	PLATE-22	180431	PLATE-25
16405	PLATE-18	16410	PLATE-24	181746	PLATE-29
16405	PLATE-19	16410	PLATE-24	181747	PLATE-29
16405	PLATE-19	16410	PLATE-25	182149	PLATE-22
16405	PLATE-19	16410	PLATE-26	182654	PLATE-23
16405	PLATE-22	16410	PLATE-16	182660	PLATE-23
16405	PLATE-22	16410	PLATE-18	182661	PLATE-23
16406	PLATE-26	16410	PLATE-18	182662	PLATE-23
16406	PLATE-28	164906	PLATE-26	182663	PLATE-23
16406	PLATE-29	165031013	PLATE-16	183077	PLATE-23
16406	PLATE-29	165121014	PLATE-16	183138R	PLATE-21
16406	PLATE-30	165121014	PLATE-16	183511	PLATE-16
16406	PLATE-30	165155R	PLATE-16	18630	PLATE-21
16406	PLATE-31	16603	PLATE-30	190255	PLATE-23
16406	PLATE-32	16603	PLATE-31	190255	PLATE-19
16406	PLATE-32	16603	PLATE-19	190393	PLATE-22
16406	PLATE-12	16620	PLATE-26	190462	PLATE-22
16406	PLATE-12	16626	PLATE-26	190462	PLATE-22
16406	PLATE-15	16670	PLATE-20	190465	PLATE-22
16406	PLATE-16	17701	PLATE-31	190479	PLATE-22
16406	PLATE-16	17702	PLATE-16	192009013	PLATE-23
16406	PLATE-16	178610	PLATE-18	192020017	PLATE-23
16406	PLATE-17	178804	PLATE-33	193705	PLATE-22
16406	PLATE-19	178804	PLATE-34	193707	PLATE-22
16406	PLATE-21	178805	PLATE-33	193724	PLATE-23
16408	PLATE-26	178805	PLATE-34	196302	PLATE-24
16408	PLATE-27	178806	PLATE-33	197071	PLATE-26
16408	PLATE-27	178806	PLATE-34	197071	PLATE-26
16408	PLATE-27	178807	PLATE-33	198101	PLATE-31
16408	PLATE-29	178807	PLATE-34	198618	PLATE-16
16408	PLATE-29	178808R	PLATE-33	20104	PLATE-28
16408	PLATE-30	178808R	PLATE-34	20104	PLATE-16
16408	PLATE-31	178818	PLATE-34	20104	PLATE-22
16408	PLATE-31	178819	PLATE-34	20105	PLATE-26
16408	PLATE-8	178820	PLATE-34	20105	PLATE-27

PART NO	BLOCK	PART NO	BLOCK	PART NO	BLOCK
20105	PLATE-29	21110	PLATE-25	2916710602	PLATE-8
20105	PLATE-29	21216	PLATE-25	2916710603	PLATE-8
20105	PLATE-29	217166	PLATE-31	2916710603	PLATE-9
20105	PLATE-29	217167	PLATE-31	30072	PLATE-8
20105	PLATE-30	219528	PLATE-28	30072	PLATE-19
20105	PLATE-31	220364010	PLATE-16	30072	PLATE-22
20105	PLATE-18	220575	PLATE-16	30072	PLATE-22
20105	PLATE-19	226596	PLATE-24	30074	PLATE-23
20105	PLATE-22	226661	PLATE-24	30074	PLATE-30
20106	PLATE-26	226662	PLATE-24	30077	PLATE-26
20106	PLATE-29	227403011R	PLATE-16	30103	PLATE-26
20106	PLATE-29	227555010	PLATE-16	30209R	PLATE-25
20106	PLATE-30	227571014R	PLATE-16	30209R	PLATE-14
20106	PLATE-30	228050017	PLATE-16	30242	PLATE-23
20106	PLATE-31	229524	PLATE-27	30242	PLATE-23
20106	PLATE-31	230560	PLATE-12	3054	PLATE-28
20106	PLATE-12	231370	PLATE-24	3054	PLATE-28
20106	PLATE-12	231370	PLATE-24	3054	PLATE-29
20106	PLATE-17	231370	PLATE-24	3054	PLATE-29
20106	PLATE-17	231370	PLATE-16	3054	PLATE-16
20106	PLATE-21	231370	PLATE-18	3054	PLATE-20
20106	PLATE-21	237246	PLATE-24	3054	PLATE-21
20108	PLATE-27	2383	PLATE-18	3054	PLATE-22
20108	PLATE-27	2430136166	PLATE-9	3055	PLATE-28
20108	PLATE-29	2430136166	PLATE-9	3055	PLATE-29
20108	PLATE-30	243303R	PLATE-24	3055	PLATE-29
20108	PLATE-8	2433124388	PLATE-9	3055	PLATE-29
20108	PLATE-16	2434614030	PLATE-9	3055	PLATE-30
20108	PLATE-16	2438	PLATE-26	3055	PLATE-18
20108	PLATE-18	245038	PLATE-33	3055	PLATE-18
20108	PLATE-18	245038	PLATE-34	3055	PLATE-22
20108	PLATE-18	265091	PLATE-18	3055	PLATE-22
20108	PLATE-19	267064	PLATE-24	3056	PLATE-28
20108	PLATE-21	267068	PLATE-24	3056	PLATE-29
20108	PLATE-22	272178	PLATE-18	3056	PLATE-29
20108	PLATE-22	272178	PLATE-18	3056	PLATE-32
20108	PLATE-23	286328	PLATE-24	3056	PLATE-32
20108	PLATE-23	286328	PLATE-18	3056	PLATE-12
20110	PLATE-26	286328	PLATE-18	3056	PLATE-15
20110	PLATE-18	286328	PLATE-18	3056	PLATE-16
20110	PLATE-18	288730	PLATE-16	3056	PLATE-17
20359	PLATE-24	2911161261	PLATE-8	3057	PLATE-30
21110	PLATE-24	2911232700	PLATE-9	3058	PLATE-27

PART NO	BLOCK	PART NO	BLOCK	PART NO	BLOCK
3058	PLATE-29	31159	PLATE-24	567990	PLATE-25
3058	PLATE-30	31159	PLATE-18	567991	PLATE-25
3058	PLATE-31	414948	PLATE-22	567992	PLATE-25
3058	PLATE-32	48197	PLATE-25	567993	PLATE-25
3058	PLATE-18	520221019R	PLATE-13	568095	PLATE-25
3058	PLATE-19	523011013R	PLATE-14	568131	PLATE-19
3058	PLATE-21	523012017	PLATE-14	568131	PLATE-21
3068	PLATE-24	523014015	PLATE-14	568135	PLATE-22
31054	PLATE-19	523021018	PLATE-14	568140	PLATE-18
31056	PLATE-29	526023017	PLATE-15	568148R	PLATE-23
31057	PLATE-29	566545	PLATE-25	568151	PLATE-31
31058	PLATE-29	567454	PLATE-23	568154	PLATE-19
31058	PLATE-30	567456	PLATE-23	568161	PLATE-27
31058	PLATE-22	567457	PLATE-23	568162	PLATE-27
31058	PLATE-23	567458	PLATE-23	568163	PLATE-31
31088	PLATE-28	567459	PLATE-23	568164R	PLATE-31
31088	PLATE-29	567461	PLATE-27	568260	PLATE-18
31088	PLATE-31	567473	PLATE-25	568288	PLATE-21
31088	PLATE-32	567484	PLATE-32	568289	PLATE-24
31088	PLATE-32	567498R	PLATE-29	568671	PLATE-20
31088	PLATE-16	567520	PLATE-21	568682	PLATE-19
31088	PLATE-16	567524	PLATE-18	568689	PLATE-18
31088	PLATE-19	567562	PLATE-19	568692	PLATE-23
31088	PLATE-21	567576	PLATE-31	568702	PLATE-21
31089	PLATE-26	567592	PLATE-22	568703	PLATE-21
31089	PLATE-30	567593	PLATE-28	568714	PLATE-29
31089	PLATE-21	567690	PLATE-27	568717	PLATE-19
31090	PLATE-12	567698	PLATE-31	568737	PLATE-27
31092	PLATE-16	567700	PLATE-29	568741	PLATE-21
31092	PLATE-17	567703R	PLATE-31	568741	PLATE-22
31092	PLATE-21	567706	PLATE-29	568750	PLATE-29
31116	PLATE-26	567719	PLATE-27	569148	PLATE-25
31116	PLATE-29	567732	PLATE-30	569150	PLATE-25
31116	PLATE-32	567732	PLATE-31	569156	PLATE-23
31116	PLATE-18	567741	PLATE-13	569157	PLATE-23
31118	PLATE-27	567741	PLATE-17	569165	PLATE-29
31118	PLATE-18	567746G1	PLATE-27	569166	PLATE-29
31119	PLATE-30	567878R	PLATE-19	569182	PLATE-18
31119	PLATE-31	567893	PLATE-20	569193	PLATE-23
31119	PLATE-18	567897	PLATE-27	569197	PLATE-29
31119	PLATE-19	567898	PLATE-27	569241	PLATE-24
31122	PLATE-27	567899	PLATE-27	569241	PLATE-18
31154	PLATE-18	567920	PLATE-27	569244	PLATE-18

PART NO	BLOCK	PART NO	BLOCK	PART NO	BLOCK
569246	PLATE-25	5969	PLATE-27	604779	PLATE-26
569255	PLATE-25	6018	PLATE-23	604812	PLATE-23
569377	PLATE-18	602120	PLATE-24	604948	PLATE-18
5745	PLATE-23	602120	PLATE-34	604954	PLATE-21
587533	PLATE-18	602123	PLATE-24	604972	PLATE-21
587576	PLATE-18	602123	PLATE-34	604973	PLATE-12
587615	PLATE-34	602497	PLATE-33	604984	PLATE-20
587616	PLATE-33	602497	PLATE-34	605389	PLATE-20
587617	PLATE-24	604502	PLATE-27	605389	PLATE-23
587624	PLATE-25	604506	PLATE-29	60565	PLATE-26
587624	PLATE-18	604506	PLATE-29	6066	PLATE-24
587628	PLATE-26	604508	PLATE-26	6066	PLATE-25
587631	PLATE-26	604509	PLATE-26	6078	PLATE-29
587633	PLATE-27	604515	PLATE-26	6078	PLATE-29
587650R	PLATE-29	604535	PLATE-24	6078	PLATE-18
587662	PLATE-22	604543	PLATE-26	6078	PLATE-18
587670R	PLATE-28	604553	PLATE-12	6078	PLATE-22
587670R	PLATE-20	604557	PLATE-29	6078	PLATE-23
587671R	PLATE-11	604557	PLATE-31	611619	PLATE-12
587685	PLATE-16	604558	PLATE-23	611620	PLATE-12
587687	PLATE-16	604560	PLATE-15	611621	PLATE-12
587702	PLATE-27	604560	PLATE-16	6125	PLATE-26
587763	PLATE-19	604560	PLATE-23	616541	PLATE-25
587773	PLATE-27	604563	PLATE-31	616541	PLATE-33
587802	PLATE-26	604603	PLATE-22	6173	PLATE-27
587803	PLATE-26	604606	PLATE-18	6173	PLATE-27
587806	PLATE-26	604606	PLATE-19	6177	PLATE-23
587812	PLATE-26	604615	PLATE-27	62961	PLATE-23
587822	PLATE-27	604689	PLATE-23	632148	PLATE-34
587829	PLATE-25	604690	PLATE-23	632158	PLATE-26
587902	PLATE-26	604691	PLATE-21	632191	PLATE-16
587904	PLATE-26	604707	PLATE-23	632238	PLATE-23
587919	PLATE-26	604715	PLATE-26	632247	PLATE-18
587928	PLATE-27	604716	PLATE-26	632285	PLATE-29
587961	PLATE-22	604717	PLATE-27	632292	PLATE-29
587962	PLATE-22	604750	PLATE-12	632299	PLATE-18
587963	PLATE-19	604751	PLATE-19	632412	PLATE-12
587966	PLATE-21	604756	PLATE-12	632413	PLATE-12
587969	PLATE-21	604758	PLATE-25	632415	PLATE-29
587971	PLATE-23	604758	PLATE-25	632415	PLATE-12
587974R	PLATE-28	604759	PLATE-25	632424	PLATE-12
587974R	PLATE-20	604760	PLATE-27	632425	PLATE-12
5967	PLATE-30	604761	PLATE-19	632426	PLATE-12

PART NO	BLOCK	PART NO	BLOCK	PART NO	BLOCK
632427	PLATE-12	645124	PLATE-26	662422	PLATE-25
632428	PLATE-12	645141	PLATE-22	662423	PLATE-25
632477R	PLATE-28	652112	PLATE-17	664153R	PLATE-28
632478R	PLATE-28	652124	PLATE-17	6650	PLATE-24
632508	PLATE-21	652356	PLATE-33	6733	PLATE-25
632604	PLATE-22	652360	PLATE-34	6965	PLATE-29
632995	PLATE-29	652361	PLATE-34	6965	PLATE-29
632995	PLATE-29	652520	PLATE-24	6965	PLATE-23
632997	PLATE-19	652520	PLATE-25	7066	PLATE-16
63440	PLATE-33	652521	PLATE-25	71633	PLATE-28
63440	PLATE-34	659842	PLATE-13	71633	PLATE-29
6411	PLATE-27	660109	PLATE-29	71633	PLATE-29
6414	PLATE-27	660140	PLATE-26	71633	PLATE-30
64263	PLATE-23	660141	PLATE-26	71633	PLATE-31
643500	PLATE-28	660153	PLATE-25	74414	PLATE-24
643500	PLATE-30	660168	PLATE-20	74414	PLATE-25
643501	PLATE-31	660351	PLATE-26	74521	PLATE-25
643501	PLATE-31	660498	PLATE-25	75708	PLATE-25
643661	PLATE-30	660499	PLATE-25	7608	PLATE-26
643661	PLATE-31	660750	PLATE-23	76227	PLATE-22
643684R	PLATE-22	660750	PLATE-21	77055	PLATE-29
643685R	PLATE-22	660751	PLATE-21	78307	PLATE-21
643691	PLATE-20	660790	PLATE-23	79375	PLATE-12
643692	PLATE-18	660790	PLATE-21	807000647	PLATE-13
643704R	PLATE-29	660826R	PLATE-28	808000826	PLATE-13
643705R	PLATE-29	660826R	PLATE-20	808000826	PLATE-13
643711R	PLATE-18	660931	PLATE-24	808000826	PLATE-16
643741	PLATE-24	660931	PLATE-25	8080	PLATE-28
643772R	PLATE-25	661231	PLATE-29	8080	PLATE-20
643776	PLATE-19	661262	PLATE-30	8103	PLATE-31
644812	PLATE-27	661267	PLATE-24	811081025	PLATE-13
644812	PLATE-18	661437	PLATE-28	812061656	PLATE-13
644813	PLATE-27	661482	PLATE-32	815064025	PLATE-13
644813	PLATE-18	661491	PLATE-32	815084025	PLATE-13
644838R	PLATE-32	661510R	PLATE-28	815084025	PLATE-13
644839R	PLATE-18	661510R	PLATE-20	815084520	PLATE-13
644852	PLATE-19	661573	PLATE-18	815084520	PLATE-13
644897	PLATE-24	661627	PLATE-19	815084520	PLATE-16
644898	PLATE-24	661634	PLATE-22	819064530	PLATE-15
644899	PLATE-24	661635	PLATE-22	822031942	PLATE-17
644973R	PLATE-23	661925	PLATE-28	822051647	PLATE-16
645041	PLATE-29	661925	PLATE-29	825080209	PLATE-15
6450	PLATE-16	662323	PLATE-30	825080209	PLATE-16

PART NO	BLOCK	PART NO	BLOCK	PART NO	BLOCK
825120308	PLATE-17	920105	PLATE-12	B001386	PLATE-19
825123207	PLATE-17	925212	PLATE-29	B001501	PLATE-13
825420215	PLATE-13	925501	PLATE-33	B001503	PLATE-28
8265	PLATE-30	925501	PLATE-34	B001505	PLATE-26
8265	PLATE-31	925508	PLATE-27	B001844	PLATE-13
8265	PLATE-21	925509	PLATE-27	B001954	PLATE-23
841005207	PLATE-14	925521	PLATE-33	B002101	PLATE-28
841005207	PLATE-16	925567	PLATE-29	B002199	PLATE-22
841005506	PLATE-16	925571	PLATE-29	B002322	PLATE-13
842001507	PLATE-14	925572	PLATE-29	B002510R	PLATE-32
842001600	PLATE-17	925573	PLATE-27	B002551	PLATE-19
842002501	PLATE-14	925573	PLATE-34	B002820	PLATE-31
842002501	PLATE-16	925574	PLATE-27	B002823	PLATE-26
842003000	PLATE-16	925574	PLATE-34	B002846	PLATE-31
842004808	PLATE-14	925577	PLATE-28	B002847	PLATE-23
843000500	PLATE-16	925578	PLATE-28	B002848	PLATE-23
843000500	PLATE-16	925579	PLATE-28	B003155	PLATE-16
843000809	PLATE-27	925580	PLATE-28	B003163	PLATE-16
843000809	PLATE-17	925581	PLATE-28	B003163	PLATE-16
8432	PLATE-28	925581	PLATE-29	B003236	PLATE-32
8432	PLATE-22	925584	PLATE-29	B003727	PLATE-28
8451	PLATE-29	925585	PLATE-29	B003736BW	PLATE-19
8451	PLATE-31	925587	PLATE-28	B003736CB	PLATE-19
8451	PLATE-23	925588	PLATE-28	B003736GY	PLATE-19
8455	PLATE-22	925589	PLATE-29	B003736SY	PLATE-19
87067	PLATE-25	925590	PLATE-28	B003736WR	PLATE-19
8771	PLATE-25	925597	PLATE-28	B003784	PLATE-33
880255211R	PLATE-14	925598	PLATE-28	B003784	PLATE-34
880305509R	PLATE-16	925604	PLATE-29	B003864	PLATE-23
8808	PLATE-23	925605	PLATE-29	B003865	PLATE-23
884222808	PLATE-14	925888	PLATE-19	B003924	PLATE-14
8847	PLATE-31	940003	PLATE-25	B006835BG	PLATE-30
8847	PLATE-23	940004	PLATE-33	B006835BW	PLATE-30
888472578	PLATE-16	940005	PLATE-34	B006835CB	PLATE-30
888472671	PLATE-16	940006	PLATE-34	B006835GY	PLATE-30
89281	PLATE-23	9411033412	PLATE-8	B006835SY	PLATE-30
920083	PLATE-29	9411033412	PLATE-8	B006835WR	PLATE-30
920084	PLATE-29	9451037407	PLATE-8	B006878BW	PLATE-31
920085	PLATE-12	97756	PLATE-26	B006878CB	PLATE-31
920086	PLATE-12	97756	PLATE-23	B006878GY	PLATE-31
920087	PLATE-12	97756	PLATE-23	B006878SY	PLATE-31
920088	PLATE-12	B001186ED	PLATE-30	B006878WR	PLATE-31
920102	PLATE-12	B001186ED	PLATE-31	B006893	PLATE-32

PART NO	BLOCK	PART NO	BLOCK	PART NO	BLOCK
B008167	PLATE-21	B042612	PLATE-22	E1756507	PLATE-11
B008167	PLATE-21	B042700	PLATE-23	E1762507	PLATE-6
B009290	PLATE-12	B073298	PLATE-20	E1962750311	PLATE-3
B023726R	PLATE-28	B073320R	PLATE-32	E1965140021	PLATE-3
B023727R	PLATE-29	B073366	PLATE-29	E1965755128	PLATE-3
B024166	PLATE-31	E07500428	PLATE-7	E1967625270	PLATE-3
B024169	PLATE-20	E07500509	PLATE-10	E1967980064	PLATE-3
B024170	PLATE-19	E07500819	PLATE-8	E1969693007	PLATE-3
B024179	PLATE-21	E07502804	PLATE-1	E200467003	PLATE-6
B024179	PLATE-22	E07502810	PLATE-8	E200467003	PLATE-1
B024379	PLATE-26	E07502810	PLATE-10	E200467003	PLATE-8
B024379	PLATE-17	E07502810	PLATE-10	E200467021	PLATE-6
B024501	PLATE-31	E07502810	PLATE-10	E202177002	PLATE-11
B024614	PLATE-16	E07502811	PLATE-7	E202756511	PLATE-6
B024614	PLATE-18	E07502811	PLATE-9	E2410122016	PLATE-9
B024645	PLATE-22	E07502811	PLATE-10	E2414601001	PLATE-9
B024732	PLATE-25	E07502812	PLATE-10	E2433314053	PLATE-9
B024733	PLATE-23	E07502813	PLATE-7	E245176006	PLATE-11
B024734	PLATE-23	E07506189	PLATE-8	E250467014	PLATE-1
B024739	PLATE-28	E105324008	PLATE-5	E250755504	PLATE-6
B024855	PLATE-22	E105324008	PLATE-6	E250755504	PLATE-6
B025600	PLATE-28	E105324008	PLATE-7	E250755504	PLATE-11
B025601	PLATE-28	E105324008	PLATE-7	E250755507	PLATE-1
B04100R	PLATE-29	E105324008	PLATE-7	E250755507	PLATE-1
B041522	PLATE-20	E105324008	PLATE-9	E250755507	PLATE-1
B041524	PLATE-20	E11770004	PLATE-11	E260120016	PLATE-6
B041535	PLATE-20	E1177001	PLATE-6	E260120016	PLATE-6
B041600	PLATE-26	E1177001	PLATE-1	E260467001	PLATE-2
B042317	PLATE-27	E1177004	PLATE-10	E260467001	PLATE-6
B042505ED	PLATE-30	E1324010	PLATE-11	E260756505	PLATE-11
B042513ED	PLATE-30	E1410210017	PLATE-9	E260973027	PLATE-6
B042516BW	PLATE-30	E1410501001	PLATE-9	E264973008	PLATE-6
B042516CB	PLATE-30	E141050100	PLATE-9	E26756503	PLATE-11
B042516GY	PLATE-30	E1441570056	PLATE-8	E268120034	PLATE-2
B042516SY	PLATE-30	E1756504	PLATE-6	E270973010	PLATE-7
B042516WR	PLATE-30	E1756504	PLATE-7	E270973015	PLATE-11
B042530BW	PLATE-30	E1756504	PLATE-7	E271678054	PLATE-1
B042530CB	PLATE-30	E1756504	PLATE-9	E276843023	PLATE-6
B042530CO	PLATE-30	E1756504	PLATE-11	E276846055	PLATE-1
B042530GY	PLATE-30	E1756507	PLATE-6	E27762505	PLATE-7
B042530SY	PLATE-30	E1756507	PLATE-9	E283467036	PLATE-8
B042530WR	PLATE-30	E1756507	PLATE-10	E2916600006	PLATE-9
B042611	PLATE-21	E1756507	PLATE-11	E2922833073	PLATE-11

PART NO	BLOCK	PART NO	BLOCK	PART NO	BLOCK
E3124017	PLATE-4	E40015173	PLATE-7	E43507331	PLATE-5
E3414619005	PLATE-9	E40016138	PLATE-3	E43507357	PLATE-10
E3824509	PLATE-6	E40016141	PLATE-1	E43507359	PLATE-5
E40000477	PLATE-11	E40016143	PLATE-2	E43507784	PLATE-10
E40000549	PLATE-2	E40016144	PLATE-2	E43508875	PLATE-10
E40000565	PLATE-11	E40017130	PLATE-8	E43508876	PLATE-10
E40000687	PLATE-8	E40017131	PLATE-8	E43509593	PLATE-11
E40000704	PLATE-11	E40018345	PLATE-2	E43510714	PLATE-4
E40001008	PLATE-8	E40018625	PLATE-12	E43510715	PLATE-4
E40001763	PLATE-11	E40018626	PLATE-10	E43510825	PLATE-10
E40001765	PLATE-11	E40018626	PLATE-12	E43511440	PLATE-4
E40001773	PLATE-11	E40020417	PLATE-3	E43512268	PLATE-2
E40001816	PLATE-6	E40020509	PLATE-4	E43517706	PLATE-10
E400022104	PLATE-2	E40020510	PLATE-4	E43518074	PLATE-10
E40002255	PLATE-2	E40020513	PLATE-4	E43518076	PLATE-10
E40002263	PLATE-1	E40026134	PLATE-2	E43518099	PLATE-10
E40002264	PLATE-1	E40027131	PLATE-8	E43520571	PLATE-4
E40002264	PLATE-1	E40031732	PLATE-11	E43520572	PLATE-4
E40002265	PLATE-1	E40031733	PLATE-11	E43520672	PLATE-10
E40002265	PLATE-1	E406177005	PLATE-1	E43521729	PLATE-10
E40002266	PLATE-1	E422973030	PLATE-9	E43521732	PLATE-10
E40002560	PLATE-1	E422973030	PLATE-1	E43521744	PLATE-10
E40002578	PLATE-1	E43500539	PLATE-1	E43521745	PLATE-1
E400051135	PLATE-6	E43500540	PLATE-1	E43521752	PLATE-7
E400051135	PLATE-6	E43500573	PLATE-2	E43521753	PLATE-10
E40005489	PLATE-11	E43500578	PLATE-10	E43521778	PLATE-10
E40005592	PLATE-11	E43501049	PLATE-8	E43522234	PLATE-2
E400060112	PLATE-5	E43501847	PLATE-7	E43522238	PLATE-2
E40006428	PLATE-5	E43502705	PLATE-4	E43522238	PLATE-2
E40006630	PLATE-3	E43502705	PLATE-1	E43522242	PLATE-2
E40006819	PLATE-8	E43502770	PLATE-4	E43526147	PLATE-10
E40008380	PLATE-2	E43502770	PLATE-1	E43526149	PLATE-10
E40009567	PLATE-11	E43502817	PLATE-1	E43526150	PLATE-10
E40009644	PLATE-7	E43502817	PLATE-11	E43526151	PLATE-10
E40009645	PLATE-7	E43502821	PLATE-10	E43526171	PLATE-10
E40009648	PLATE-11	E43502821	PLATE-10	E43526174	PLATE-5
E400101102	PLATE-7	E43502822	PLATE-10	E43526175	PLATE-1
E40010597	PLATE-4	E43506180	PLATE-2	E43527167	PLATE-8
E40010713	PLATE-2	E43506181	PLATE-2	E43527184	PLATE-8
E40011420	PLATE-4	E43506182	PLATE-2	E43527185	PLATE-8
E40011772	PLATE-1	E43506183	PLATE-2	E43531725	PLATE-11
E40012271	PLATE-2	E43506639	PLATE-3	E43531743	PLATE-11
E40012272	PLATE-2	E43507330	PLATE-5	E45762512	PLATE-11

PART NO	BLOCK	PART NO	BLOCK	PART NO	BLOCK
E47124004	PLATE-5	E50008883	PLATE-1	E500568043	PLATE-7
E47177007	PLATE-4	E50009023	PLATE-4	E500568044	PLATE-7
E47177007	PLATE-11	E50009205	PLATE-4	E500575545	PLATE-2
E47177007	PLATE-17	E50010157	PLATE-6	E500575549	PLATE-6
E50000114	PLATE-3	E50010174	PLATE-7	E500600036	PLATE-9
E50000160	PLATE-4	E50010174	PLATE-7	E5006371045	PLATE-6
E50000164	PLATE-11	E50010710	PLATE-4	E500640030	PLATE-2
E50000225	PLATE-10	E500116011	PLATE-6	E500641036	PLATE-2
E50000307	PLATE-4	E500125708	PLATE-4	E500676035	PLATE-2
E50000307	PLATE-1	E500141016	PLATE-5	E500676035	PLATE-9
E50000405	PLATE-11	E50016133	PLATE-8	E500755006	PLATE-5
E50000421	PLATE-1	E50018633	PLATE-10	E500843036	PLATE-9
E50000437	PLATE-6	E500197087	PLATE-1	E500900038	PLATE-4
E50000452	PLATE-7	E50020128	PLATE-11	E5009060011	PLATE-6
E50000475	PLATE-6	E500208572	PLATE-6	E5009520029	PLATE-5
E50000506	PLATE-2	E500213572	PLATE-2	E500985048	PLATE-5
E50000506	PLATE-1	E500217519	PLATE-6	E505193049	PLATE-2
E50000506	PLATE-8	E500220013	PLATE-6	E505985052	PLATE-5
E50000506	PLATE-1	E500228048	PLATE-4	E51981002	PLATE-3
E50000613	PLATE-6	E50025503	PLATE-9	E51981002	PLATE-6
E50000613	PLATE-9	E500324066	PLATE-6	E52006205	PLATE-7
E50000613	PLATE-1	E5003430070	PLATE-2	E52006709	PLATE-6
E50000901	PLATE-2	E500405518	PLATE-11	E52008924	PLATE-1
E50001213143	PLATE-6	E500405518	PLATE-23	E5201160056	PLATE-7
E500022105	PLATE-2	E500450091	PLATE-10	E5205200777	PLATE-7
E50002296	PLATE-4	E500450092	PLATE-10	E5205200778	PLATE-7
E50002805	PLATE-1	E500450092	PLATE-2	E5205801462	PLATE-6
E50002805	PLATE-10	E5004580057	PLATE-9	E52200434	PLATE-11
E50002805	PLATE-10	E500458023	PLATE-9	E53002205	PLATE-1
E50002805	PLATE-10	E500458024	PLATE-9	E53002206	PLATE-1
E50005625006	PLATE-6	E500458029	PLATE-9	E53002207	PLATE-1
E5000572536	PLATE-6	E500460102	PLATE-1	E53002208	PLATE-1
E50006060	PLATE-4	E500460120	PLATE-1	E53002209	PLATE-1
E50006101	PLATE-1	E500470094	PLATE-1	E53002210	PLATE-1
E50006169	PLATE-1	E500470103	PLATE-1	E53002224	PLATE-1
E50006190	PLATE-5	E500474018	PLATE-5	E53005136	PLATE-5
E50006328	PLATE-1	E5005200293	PLATE-7	E53005137	PLATE-5
E50006342	PLATE-2	E500520134	PLATE-6	E53005167	PLATE-5
E50006495029	PLATE-6	E5005202010	PLATE-7	E53005168	PLATE-5
E50007334	PLATE-5	E500520214	PLATE-7	E53005170	PLATE-5
E50007626	PLATE-11	E500520260	PLATE-7	E53006166	PLATE-1
E50007715	PLATE-10	E5005271054	PLATE-5	E53011748	PLATE-1
E50008099	PLATE-1	E5005680046	PLATE-2	E5402380456	PLATE-4

