

Parts Catalog

Commercial Vehicle

ape' City DLx_UG

PLATES INDEX

Sr No.	Plate Name	Plate No.	Page No.
1	Eng.200 4S/3V BIII Air Ape Pax India	1	1-2
2	Clutch Cover Assembly	2	3-4
3	Clutch Group	3	5-6
4	Oil Pump Assembly	4	7-8
5	Complete Differential Gear	5	9-10
6	Differential Gear Cover With P.I.	6	11-12
7	Intake Fitting - Carburetor	7	13-14
8	AIR FILTER ASSEMBLY	7.1	15-16
9	Carburetor	8	17-18
10	Complete Crankcase	9	19-20
11	Gear Shifter And Control Mechanism	9.1	21-22
12	Cylinder Head With I.P.	10	23-24
13	Crankshaft Assembly	11	25-26
14	Aircooling Circuit Components	12	27-28
15	Timing Group	13	29-30
16	Cylinder- Piston Group	14	31-32
17	Electric Starting Group	15	33-34
18	Gear Group	16	35-36
19	Differential Gear Group	17	37-38
20	Engine Support	18	39-40
21	Fuel Tank/Filter/Fuel Pipes	19	41-42
22	Wind Shield/Glass/Beading	20	43-44
23	Main Frame/Driver Seat/Battery Bkt//Nose/Fr. Mud/Mud Flap	21	45-48
24	Inner Parts Of Cabin	22	49-50
25	Rear Suspension	23	51-54
26	Steering Column And Front Suspension	24	55-58
27	Handle Bar And Control	25	59-60
28	Brake - Tandem Master Cylinder ,Brake Pipe And Hand Brakes	26	61-64
29	Electrical Devices	27	65-68
30	Front Fascia	28	69-70

PLATES INDEX

Sr No.	Plate Name	Plate No.	Page No.
31	Passenger Auto Riksha Body	29	71-74
32	Wiring Harness	30	75-76
33	Front Brake Assembly	31	77-78
34	Rear Brake Assembly	32	79-80
35	Cables	33	81-82
36	CNG Kit	34	83-84
37	Two Stage CNG Regulator	35	85-86
38	First Stage Reduction Unit	36	87-88
39	LPG Kit	37	89-90
40	Two Stage LPG Regulator	38	91-92
41	Tools & Accessories	39	93-96
42	KIT-1	40	97-98
43	KIT-2	41	99-100
44	KIT-3	42	101-102
45	KIT-4	43	103-104
46	KIT-5	44	105-106

PICTORIAL PLATES INDEX

PLATE-1 Eng.200 4S/3V BIII Air Ape Pax India

Page No. :1-2

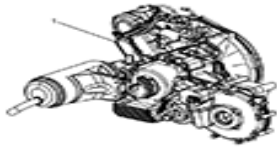


PLATE-2 Clutch Cover Assembly

Page No. :3-4

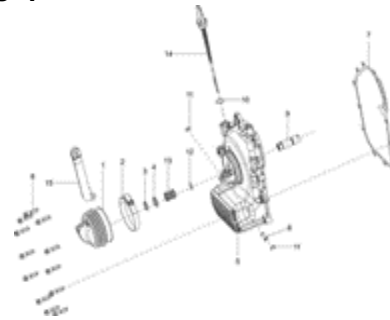


PLATE-3 Clutch Group

Page No. :5-6

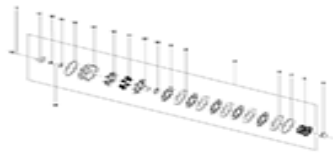


PLATE-4 Oil Pump Assembly

Page No. :7-8

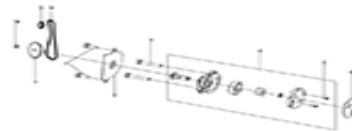


PLATE-5 Complete Differential Gear

Page No. :9-10

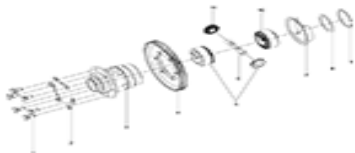


PLATE-6 Differential Gear Cover With P.I.

Page No. :11-12

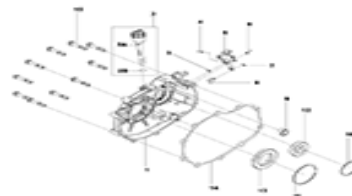


PLATE-7 Intake Fitting - Carburetor

Page No. :13-14

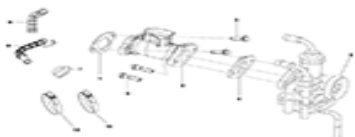
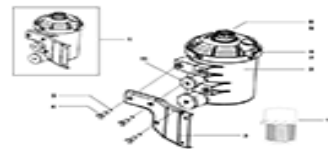


PLATE-7.1 AIR FILTER ASSEMBLY

Page No. :15-16



PICTORIAL PLATES INDEX

PLATE-8 Carburetor

Page No. :17-18

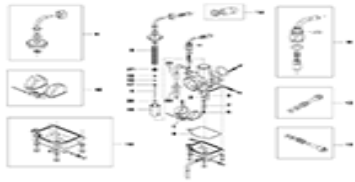


PLATE-9 Complete Crankcase

Page No. :19-20



PLATE-9.1 Gear Shifter And Control Mechanism

Page No. :21-22

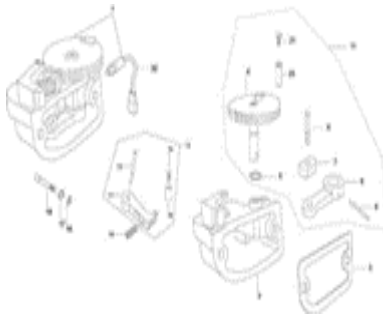


PLATE-10 Cylinder Head With I.P.

Page No. :23-24

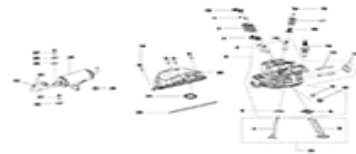


PLATE-11 Crankshaft Assembly

Page No. :25-26

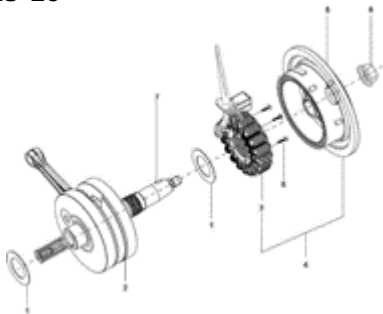


PLATE-12 Aircooling Circuit Components

Page No. :27-28



PLATE-13 Timing Group

Page No. :29-30

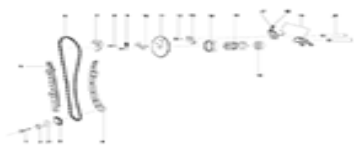
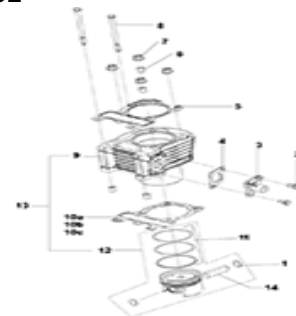


PLATE-14 Cylinder- Piston Group

Page No. :31-32



PICTORIAL PLATES INDEX

PLATE-15 Electric Starting Group

Page No. :33-34



PLATE-16 Gear Group

Page No. :35-36

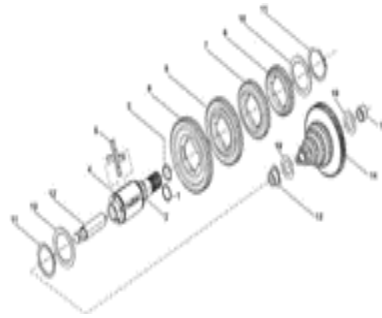


PLATE-17 Differential Gear Group

Page No. :37-38

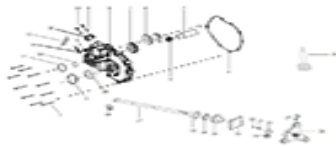


PLATE-18 Engine Support

Page No. :39-40

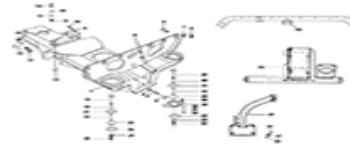


PLATE-19 Fuel Tank/Filter/Fuel Pipes

Page No. :41-42

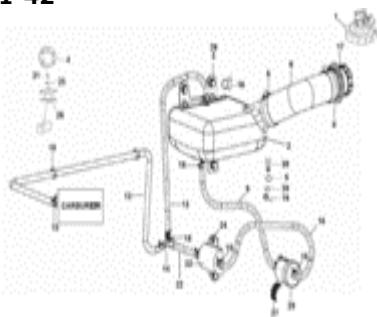


PLATE-20 Wind Shield/Glass/Beading

Page No. :43-44

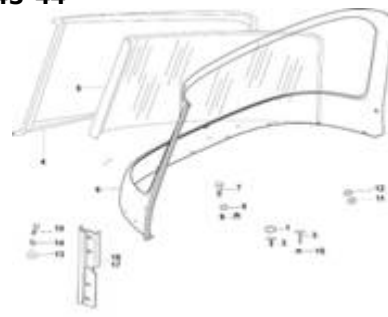


PLATE-21 Main Frame/Driver Seat/Battery Bkt//Nose/Fr. Mud/Mud Flap

Page No. :45-48

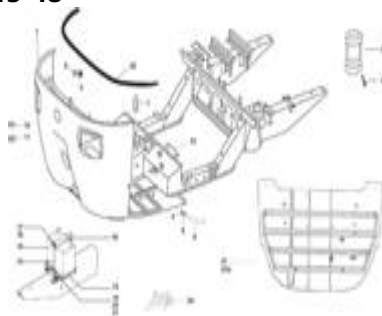


PLATE-22 Inner Parts Of Cabin

Page No. :49-50



PICTORIAL PLATES INDEX

PLATE-23 Rear Suspension

Page No. :51-54

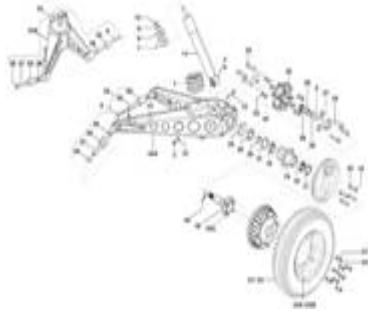


PLATE-24 Steering Column And Front Suspension

Page No. :55-58

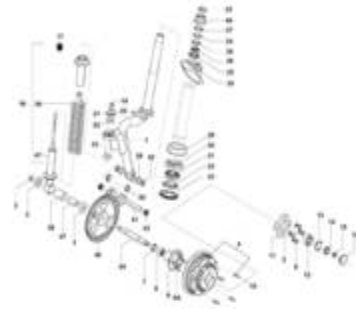


PLATE-25 Handle Bar And Control

Page No. :59-60

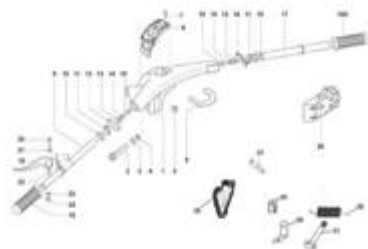


PLATE-26 Brake - Tandem Master Cylinder ,Brake Pipe And Hand Brakes

Page No. :61-64

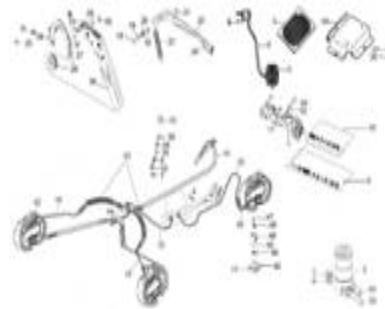


PLATE-27 Electrical Devices

Page No. :65-68

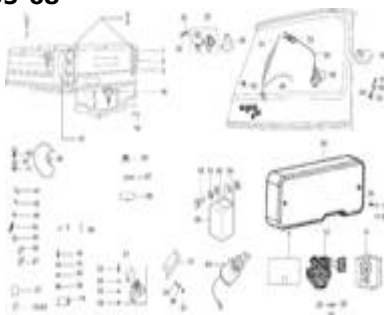


PLATE-28 Front Fascia

Page No. :69-70



PLATE-29 Passenger Auto Riksha Body

Page No. :71-74

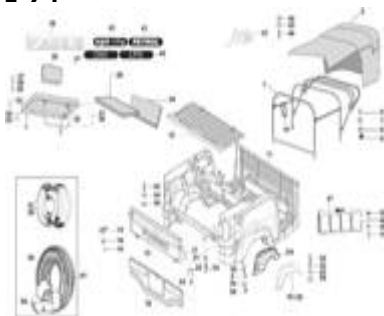
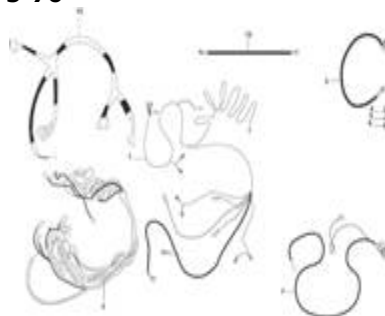


PLATE-30 Wiring Harness

Page No. :75-76



PICTORIAL PLATES INDEX

PLATE-31 Front Brake Assembly

Page No. :77-78



PLATE-32 Rear Brake Assembly

Page No. :79-80

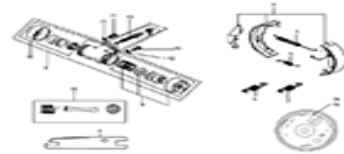


PLATE-33 Cables

Page No. :81-82

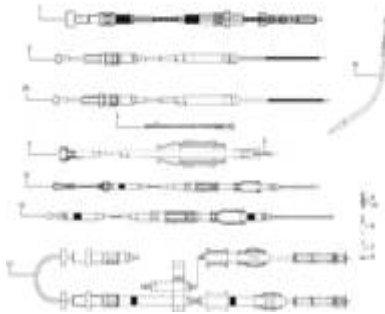


PLATE-34 CNG Kit

Page No. :83-84

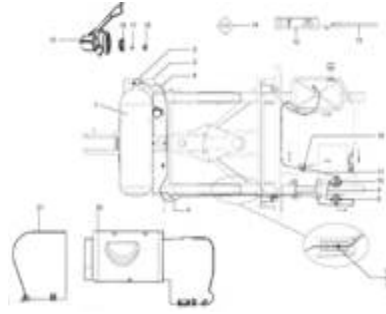


PLATE-35 Two Stage CNG Regulator

Page No. :85-86

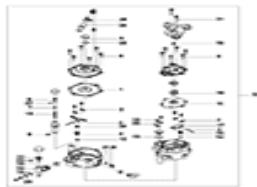


PLATE-36 First Stage Reduction Unit

Page No. :87-88

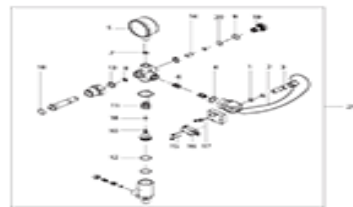


PLATE-37 LPG Kit

Page No. :89-90

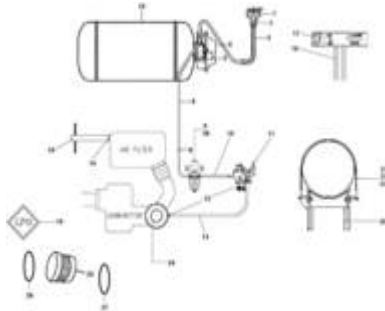
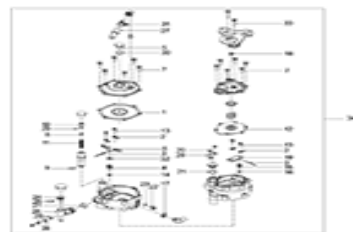


PLATE-38 Two Stage LPG Regulator

Page No. :91-92



PICTORIAL PLATES INDEX

PLATE-39 Tools & Accessories

Page No. :93-96



PLATE-40 KIT-1

Page No. :97-98

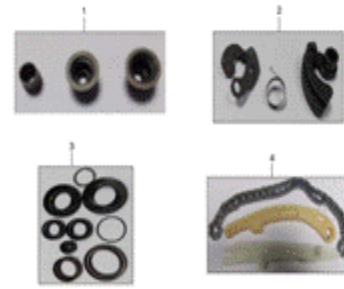


PLATE-41 KIT-2

Page No. :99-100

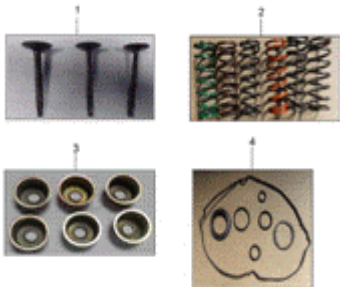


PLATE-42 KIT-3

Page No. :101-102

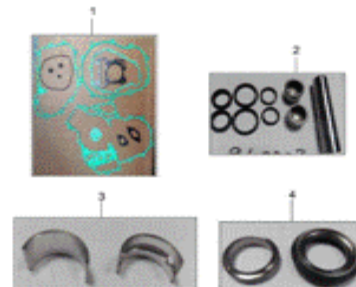


PLATE-43 KIT-4

Page No. :103-104



PLATE-44 KIT-5

Page No. :105-106

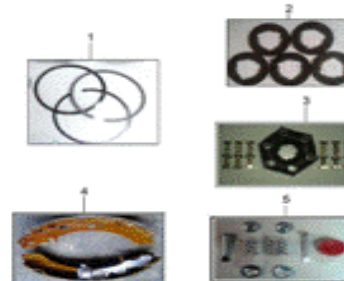


PLATE-1

Eng.200 4S/3V BIII Air Ape Pax India

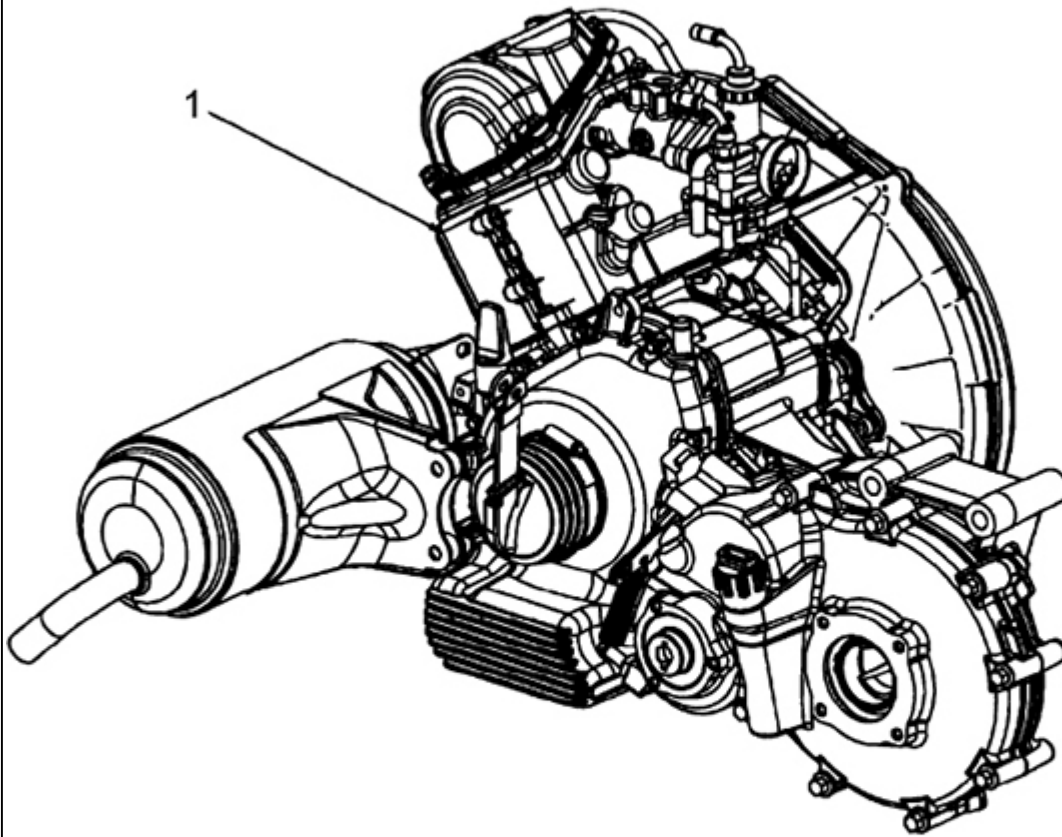


PLATE-1**Eng.200 4S/3V BIII Air Ape Pax India**

Fig. No.	Part No.	Description	Qty	Remarks
1	CM168801	ENGINE ASSY - PETROL	1	
1	CM168811	ENGINE ASSY Â?? LPG (UG)	1	
1	CM168812	ENGINE ASSY Â?? CNG (UG)	1	

PLATE-2
Clutch Cover Assembly

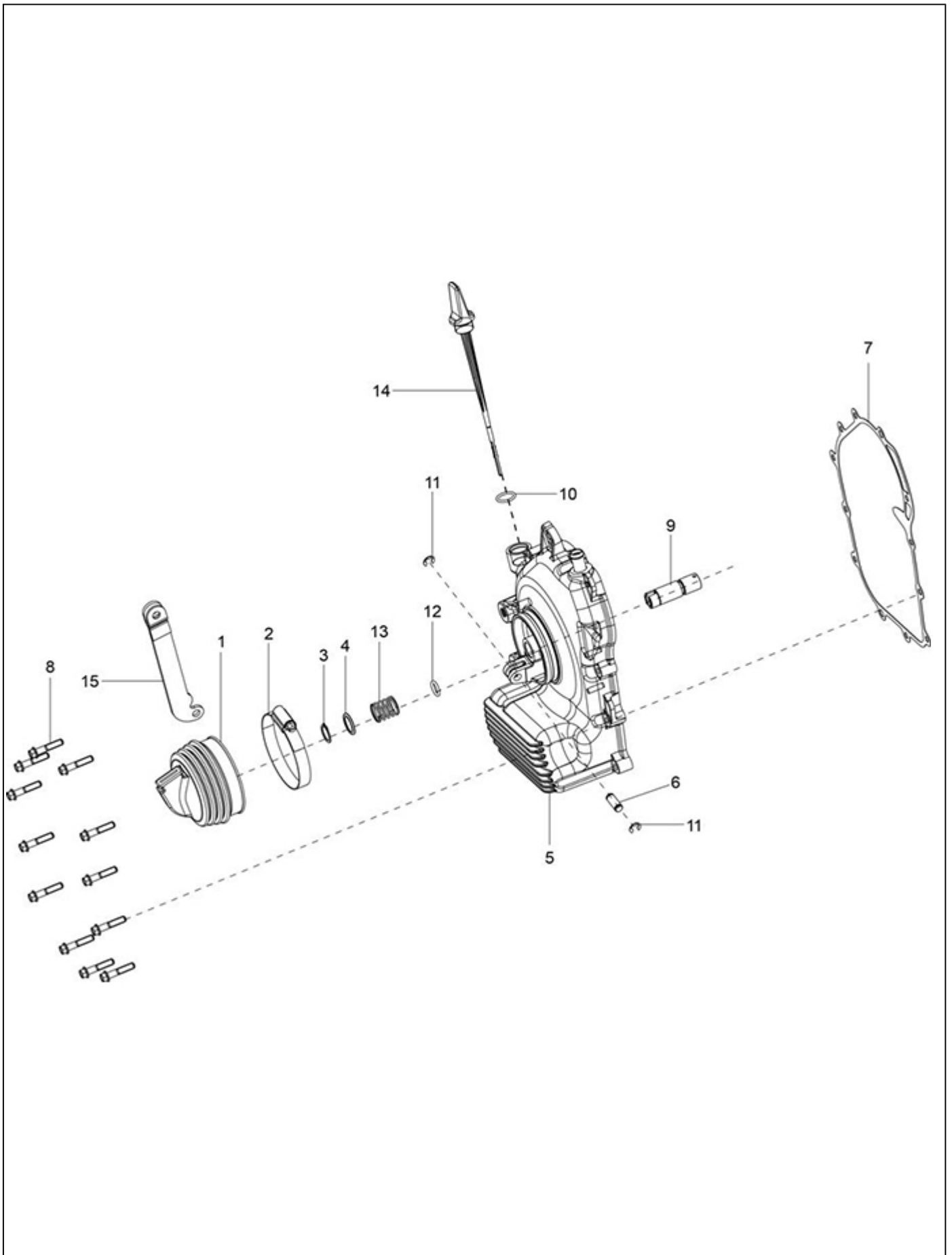


PLATE-2**Clutch Cover Assembly**

Fig. No.	Part No.	Description	Qty	Remarks
1	127012019	BELLOW CLUTCH ACTUATING	1	
2	120170018	HOSE CLIP - CLUTCH COVER BELOW	1	
3	842001600	CIRCLIP DIA.16(EXT)	1	
4	120164019	RETAINING PLATE	1	
5	B015863	CLUTCH COVER WITH P.I.	1	
6	127013013	PIN CLUTCH	1	
7	B018549	CLUTCH COVER GASKET	1	
8	B018853	HEXAG. HEAD SCREW (M6X30)	1	
9	1A001457	PLUNGER SHAFT	1	
10	479986	O-RING GASKET	1	
11	843000809	CIRCLIP DIA.8(EXT) TYPE C	2	
12	B019220	O- RING (PLUNGER SHAFT)	1	
13	127185012	SPRING - CLUTCH COVER	1	
14	B016472	OIL DIPSTICK ASSY	1	
15	127460010	LINK ASSLY - CLUTCH (IMPROVED)	1	

PLATE-3
Clutch Group

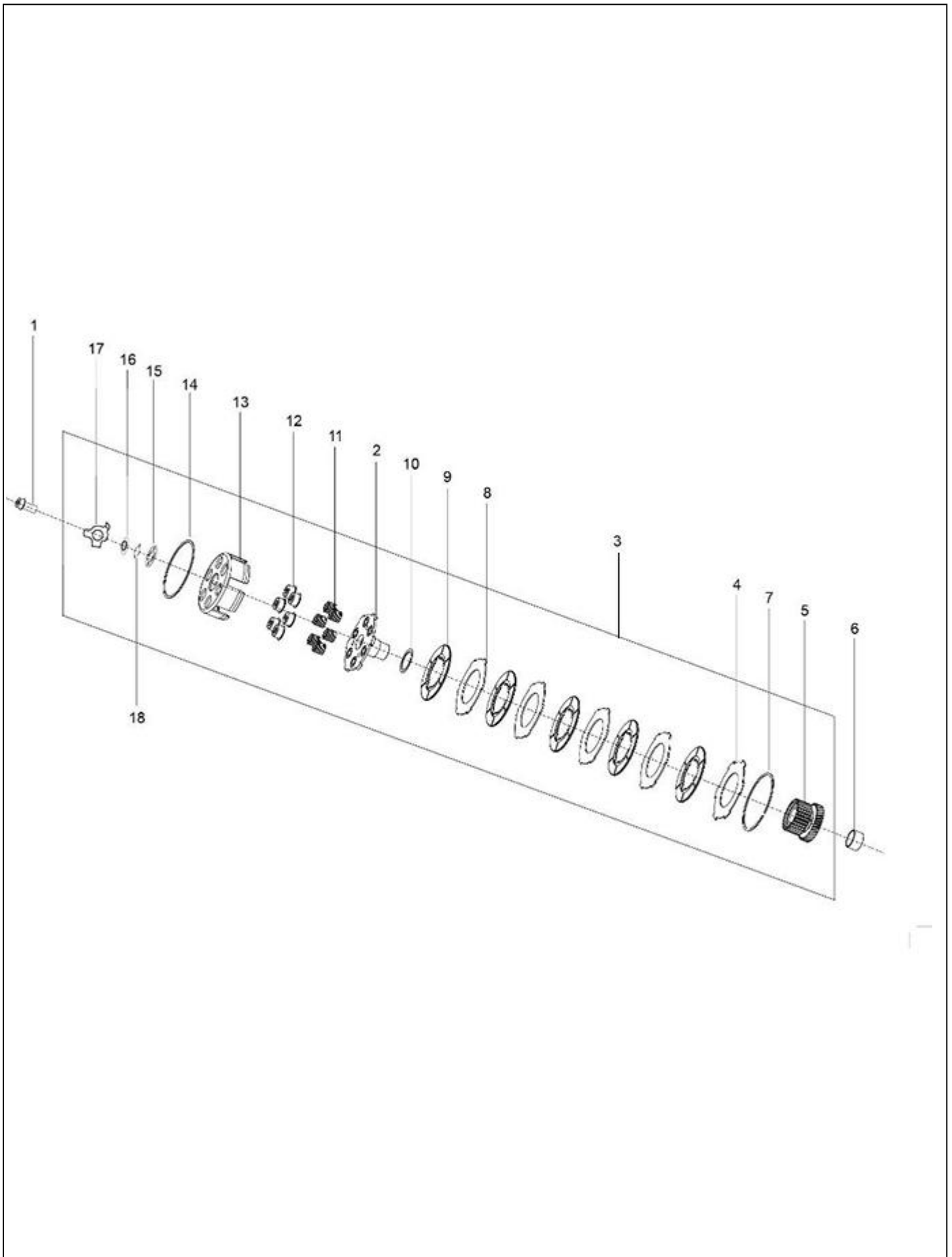


PLATE-3**Clutch Group**

Fig. No.	Part No.	Description	Qty	Remarks
1	B018678	SCREW M8X30	1	
2	1A006005	CLUTCH HUB WITH P.I.	1	
3	1A006004	COMPLETE CLUTCH ASSLY	1	
4	127693019	PRESSURE PLATE OUTER (VE)	1	
5	B015862	ENGINE GEAR	1	
6	1A006628	SPACER WASHER	1	
7	127754019	CIRCLIP - CLUTCH BOX	1	
8	127692015	DRIVING PLATE THK. 2.0 MM	4	
9	1A004836	DRIVEN PLATE ASLY	5	
10	1A006634	BELLEVILLE WASHER	1	
11	B023890	CLUTCH SPRING	6	
12	127757011	CUP - CLUTCH SPRING	6	
13	1A001455	CLUTCH HOUSING	1	
14	1A005414R	RING CLUTCH BOX	1	
15	1A004644	COMPLET CLUTCH CONTROL PLATE	1	
16	129011019	WASHER FOR CLUTCH ASSY.	1	
17	129012013	TAB WASHER	1	
18	286406	SPRING CLIP	1	

PLATE-4
Oil Pump Assembly

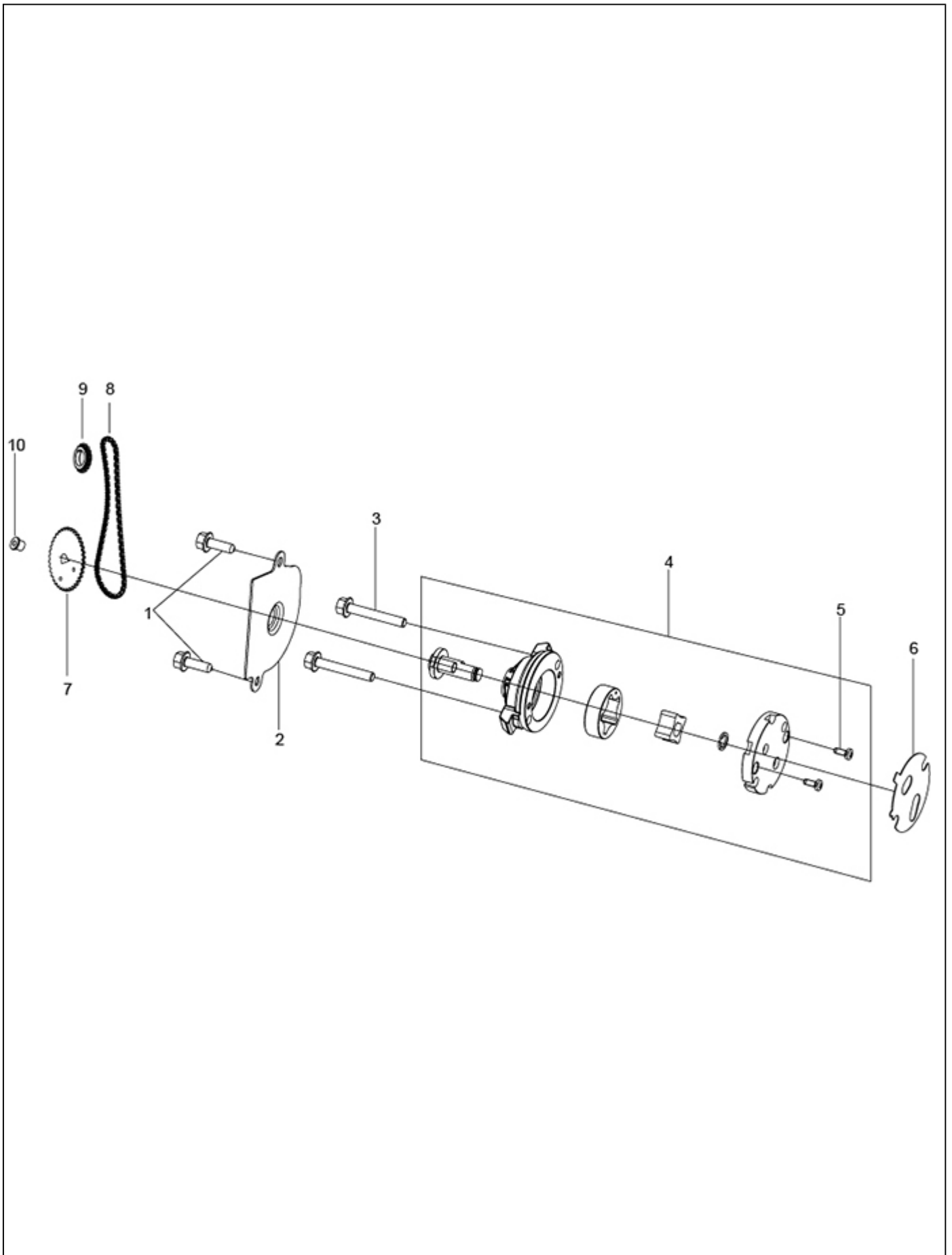


PLATE-4**Oil Pump Assembly**

Fig. No.	Part No.	Description	Qty	Remarks
1	830061	FLANGED HEXAGONAL HEAD SCREW	2	
2	1A002947	OIL BULKHEAD	1	
3	829593	FLANGED HEXAGONAL HEAD SCREW	2	
4	82948R	OIL PUMP ASSEMBLY	1	
5	-	SCREW	2	
6	B015943	CRANKCASE/ OIL PUMP GASKET	1	
7	B017042	OIL PUMP CROWN	1	
8	B015026	OIL PUMP CHAIN 48 PITCHES	1	
9	1A001905R	OIL PUMP PINION	1	
10	B016160	SPACER WASHER	1	

PLATE-5
Complete Differential Gear

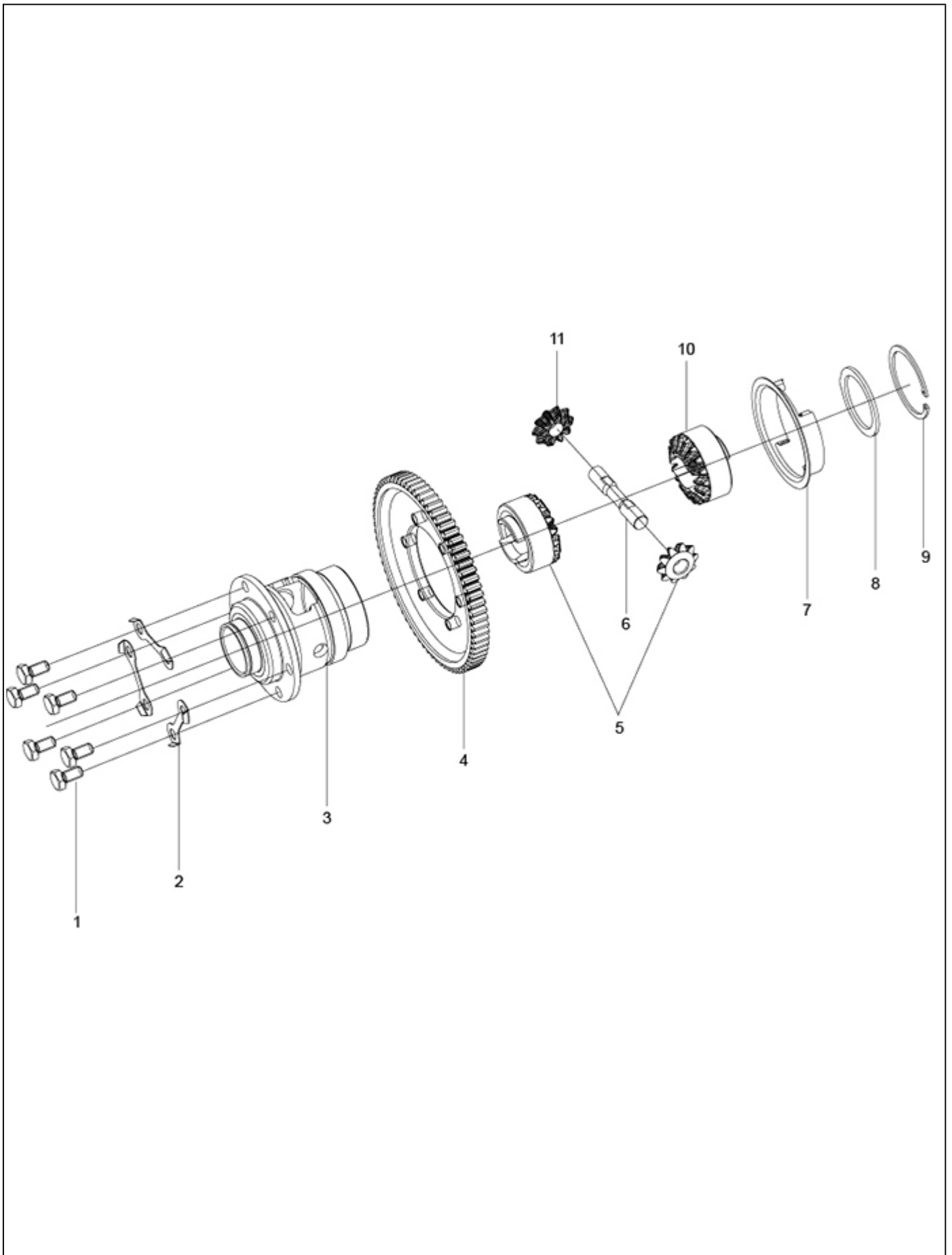


PLATE-5**Complete Differential Gear**

Fig. No.	Part No.	Description	Qty	Remarks
1	B003163	HEX SCREW	6	
2	B003155	LOCK PLATE	3	
3	288730	DIFFERENTIAL CAGE	1	
4	B017135	DIFFERENTIAL CROWN - PETROL / LPG	1	
4	B015818	DIFFERENTIAL CROWN - CNG	1	
5	940028	GEAR SUN AND DIFFERENTIAL GEAR	1	
6	132129	PIN	1	
7	132244	STOPPER THK=1.0	1	
8	220575	WASHER 65X3	1	
9	132134SR	CIRCLIP	2	
10	165155R	DIFFERENTIAL GEAR	2	
11	132136R	GEAR SUN	2	

PLATE-6

Differential Gear Cover With P.I.

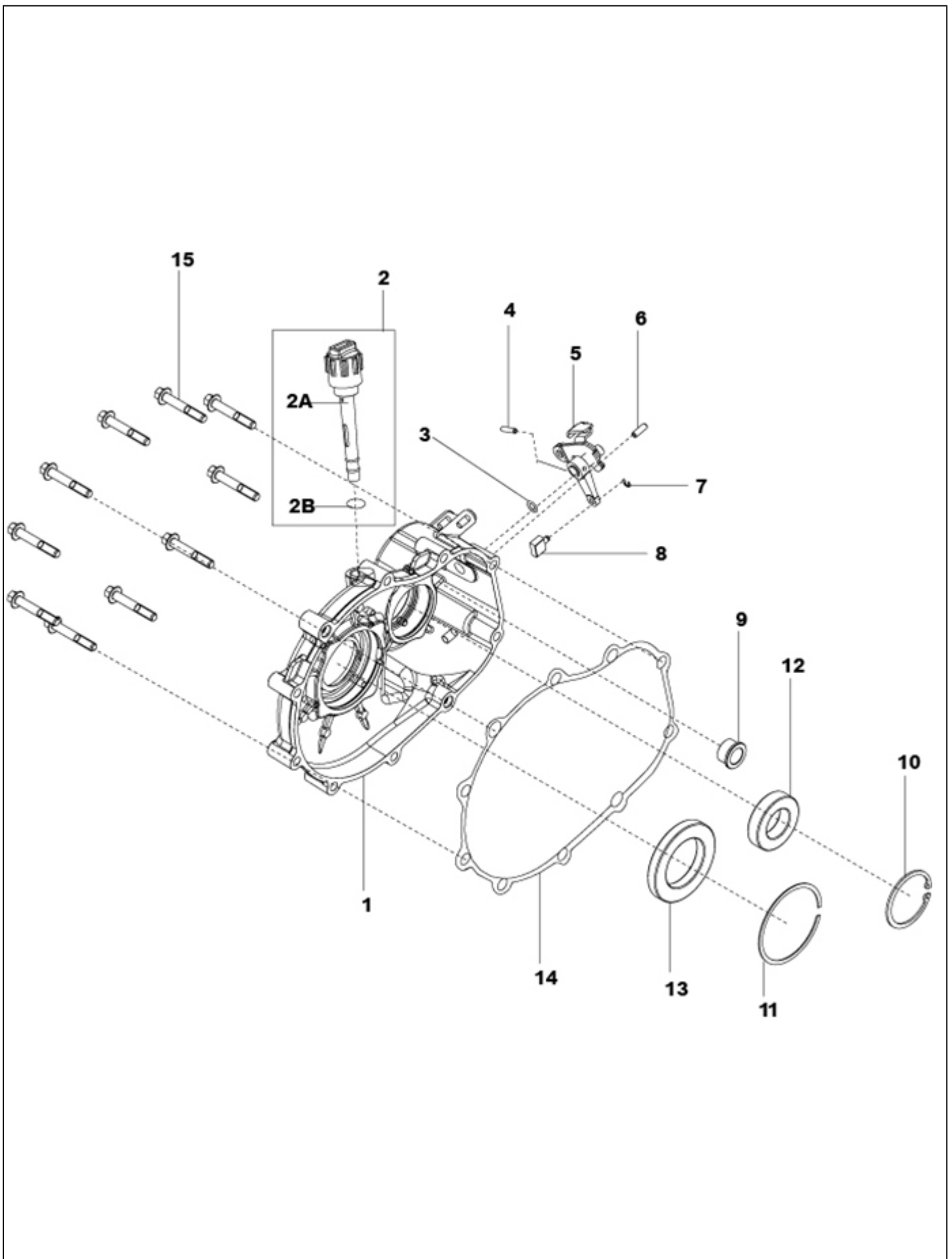


PLATE-6**Differential Gear Cover With P.I.**

Fig. No.	Part No.	Description	Qty	Remarks
1	B019214	DIFFERENTIAL COVER	1	
2	B016472	OIL DIPSTICK ASSY	1	
2A	B016473	OIL DIPSTICK	1	
2B	479986	O-RING GASKET	1	
3	632191	O - RING	1	
4	17702	SPRING PIN	1	
5	B0174924	COMPL. INVERTER LEVER SECTOR PET AND LPG	1	
5	B018672	COMPLETE INVERTER LEVER SECTOR CNG	1	
6	822051647	SPRING PIN 5X16	1	
7	843000500	CIRCLIP DIA.5 (EXT) TYPE C	1	
8	B017493	SLIDER - PETROL / LPG	1	
8	B018673	SLIDER - CNG	1	
9	B042486	BUSH	1	
10	841005506	CIRCLIP DIA. 55 (INT)	1	
11	111353	CIRCLIP	1	
12	880305509R	DEEP GROOVE BALL BEARING 30X55X13	1	
13	7066R	RADIAL BALL BEARING	1	
14	-	DIFFERENTIAL COVER GASKET	1	
15	B016621	SCREW M8X50	12	

PLATE-7
Intake Fitting - Carburetor

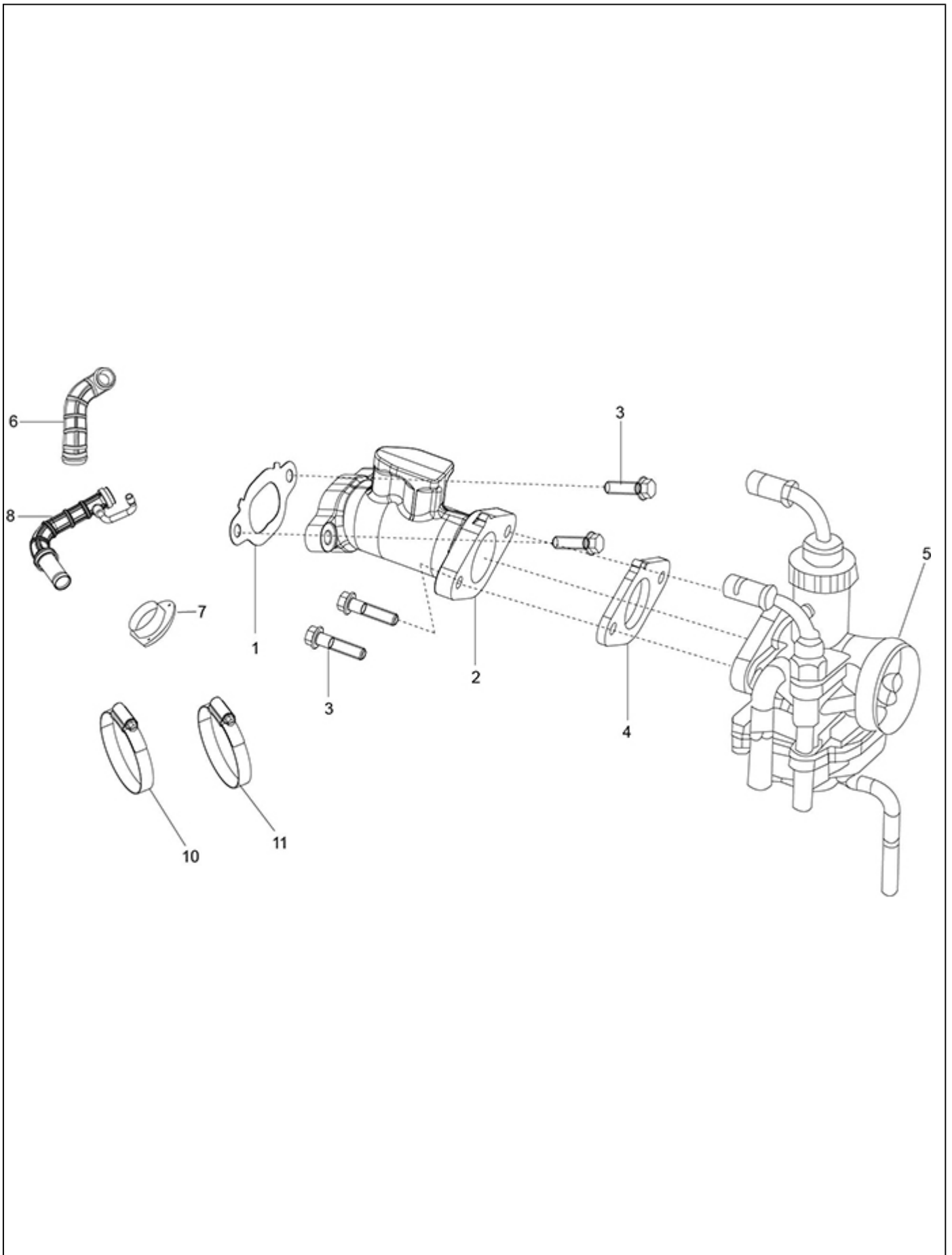


PLATE-7**Intake Fitting - Carburetor**

Fig. No.	Part No.	Description	Qty	Remarks
1	B018442	INTAKE FITTING GASKET	1	
2	1A003268	INTAKE FITTING	1	
3	18639	SCREW M6X20	4	
4	B016016	INTAKE FITTING GASKET WITH O-RING	1	
5	CM166104	CARBURETOR UVD 22 PETROL	1	
5	CM166102	CARBURETOR UVD 22-LPG	1	
5	CM166103	CARBURETOR UVD 22-CNG	1	
5	1A002305	CARBURETOR UBT22 - LPG (SINGLE MODE)	1	
6	1A004857	AIR BOX SNORKEL	1	
7	B074845	RESTRICTOR AIR FILTER INLET	1	
7	B041090	RESTRICTOR AIR FILTER INLET PETROL	1	
7	B018978	RESTRICTOR AIR FILTER INLET - LPG	1	
8	1A004857	AIR BOX SNORKEL	1	
8	B017443	CARB./AIR BOX COUPLING (CNG/LPG)	1	
9	604756	HOSE CLIP	1	
10	604553	WORM CLIP	1	

PLATE-7.1
AIR FILTER ASSEMBLY

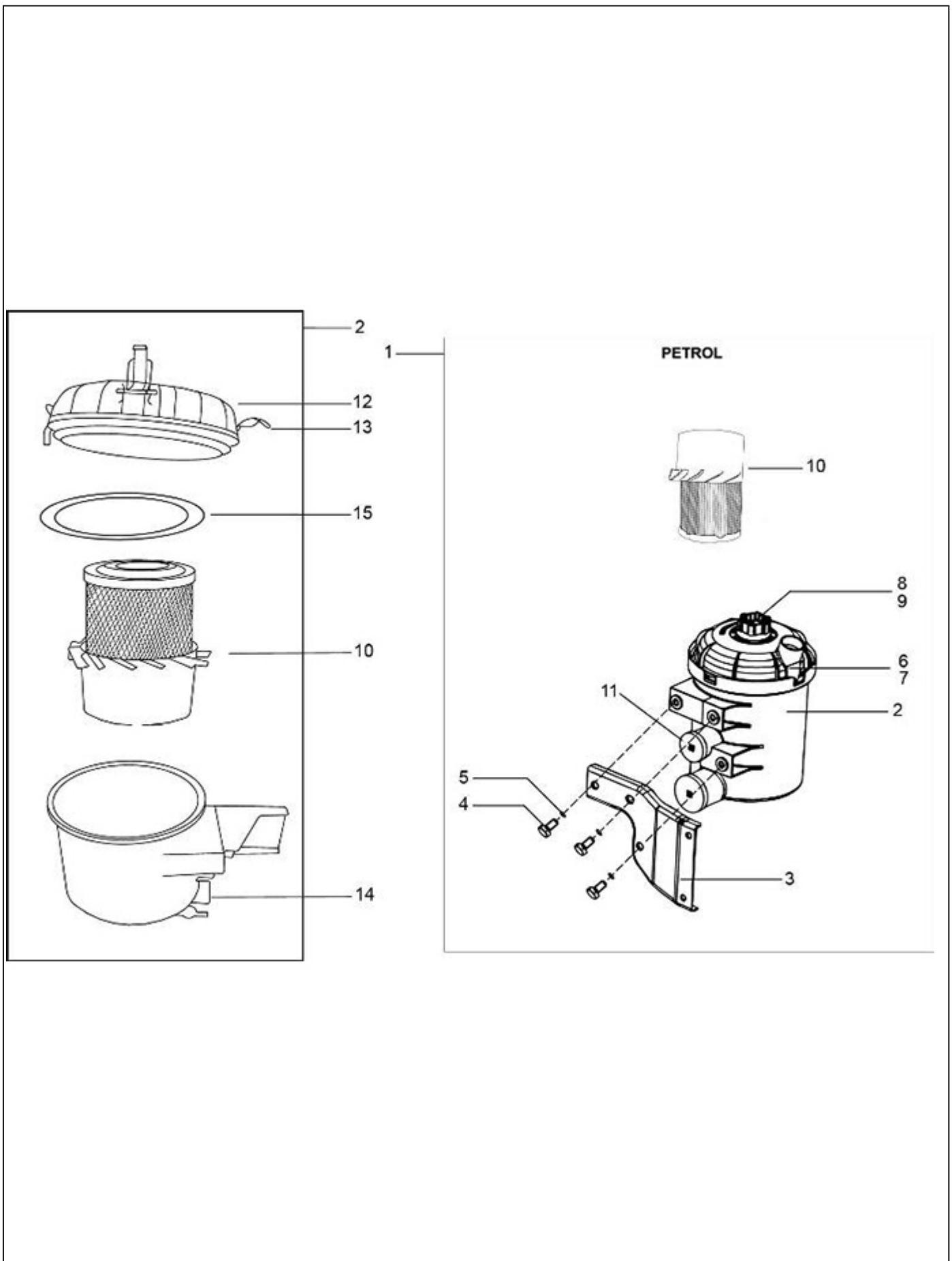


PLATE-7.1**AIR FILTER ASSEMBLY**

Fig. No.	Part No.	Description	Qty	Remarks
1	B024450	AIR FILTER ASSEMBLY WITH MOUNTING BKT (PET)	1	
2	B003605	AIR FILTER ASSEMBLY W/O MTG BKT	1	
2	B073678	AIR FILTER ASSEMBLY (LPG)	1	
2	B073679	AIR FILTER ASSEMBLY (CNG)	1	
2	B009193	AIR FILTER ASSY.	1	
3	B008924	AIR FILTER MTG. BKT. (NI)	1	
4	31118	SCREW M8X20	3	
5	16408	SPRING WASHER M8	3	
6	940031	AIR FILTER COVER (PAXX 200)	1	
7	940032	AIR FILTER COVER GASKET (PAXX 200)	1	
8	940034	AIR FILTER KNOB (PAXX 200)	1	
9	940033	AIR FILTER KNOB GASKET (PAXX 200)	1	
10	932279	AIR FILTER ELEMENT	1	
10	940073	AIR FILTER ELEMENT-CNG/LPG(UG)	1	
11	B041090	RESTRICTOR AIR FILTER INLET PETROL	1	
12	940069	AIR FILTER COVER-(UG)	1	
13	940070	AIR FILTER COVER CLAMP	3	
14	940071	DUST VALVE	1	
15	940072	AIR FILTER COVER GASKET	1	

PLATE-8
Carburetor

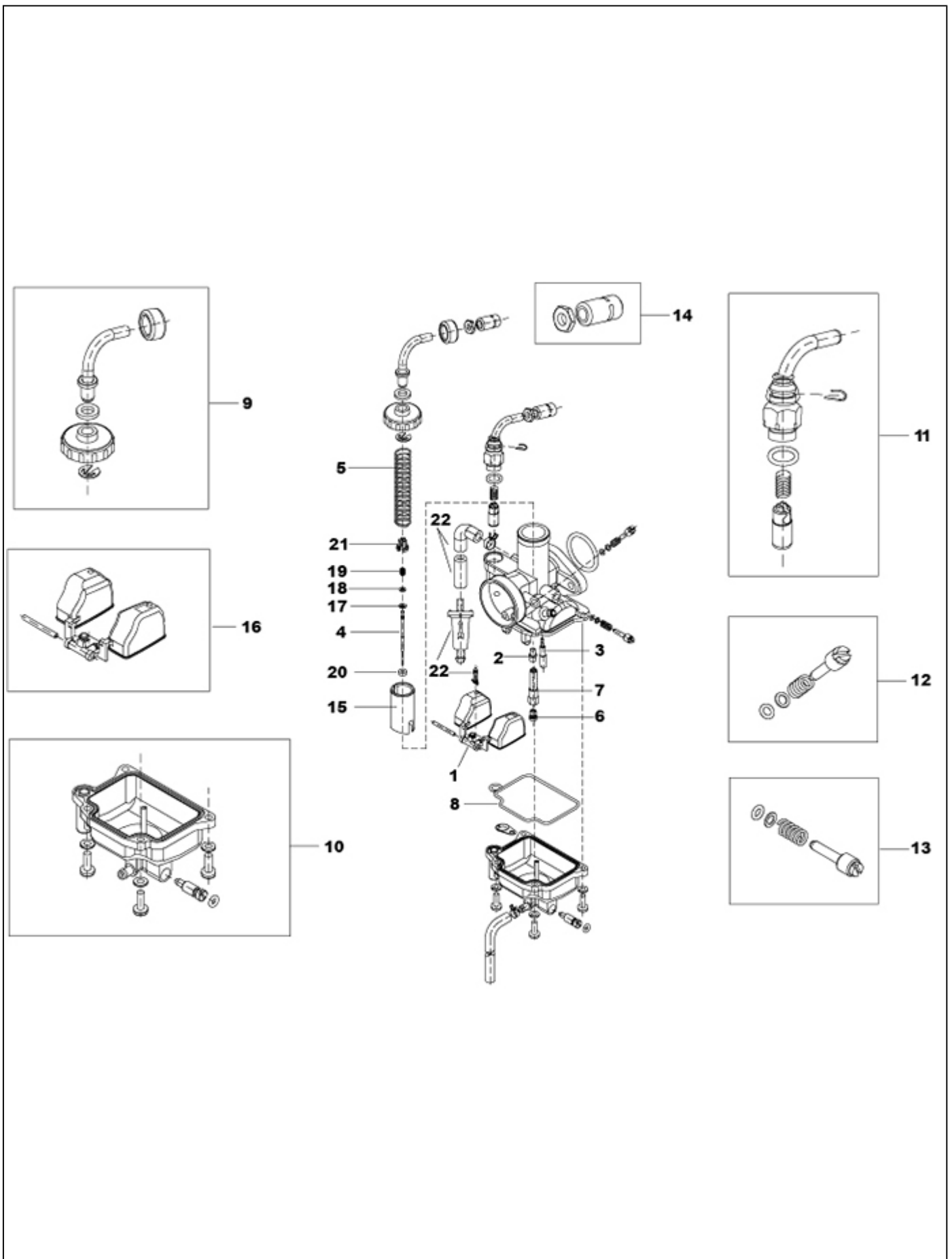


PLATE-8
Carburetor

Fig. No.	Part No.	Description	Qty	Remarks
1	B016823	FLOAT PIN	1	
2	B019344	NEEDLE JET (PETROL/LPG)	1	
2	B017541	NEEDLE JET (CNG)	1	
3	CM167802	PILOT JET (CNG/LPG)	1	
3	CM167803	PILOT JET (PETROL)	1	
4	B019342	JET NEEDLE (PETROL)	1	
4	B019343	JET NEEDLE (CNG)	1	
5	B016829	SPRING (PV)	1	
6	CM167704	MAIN JET (CNG)	1	
6	CM167706	MAIN JET (PETROL)	1	
6	CM167708	MAIN JET (LPG)	1	
7	CM167901	JET HOLDER (PETROL)	1	
7	CM167902	JET HOLDER (CNG/LPG)	1	
8	B016834	O-RING (FCB)	1	
9	B016825	MIXING CAP ASSY KIT	1	
10	B016822	FLOAT CHAMBER BODY ASSY KIT	1	
11	1A000542	STARTER KIT	1	
12	B016826	AIR SCREW KIT	1	
13	B016828	IDLE ADJUSTER KIT	1	
14	B016869	CABLE ADJUSTER KIT	1	
15	B016827	THROTTLE VALVE	1	
16	B016824	STARTER DEVICE KIT	1	
17	1A004221	E-RING	1	
18	1A004222	PACKGING	1	
19	1A004223	SPRING	1	
20	1A004224	RING	1	
21	1A004225	HOLDER	1	
22	B017542	NEEDLE VALVE KIT	1	

PLATE-9
Complete Crankcase

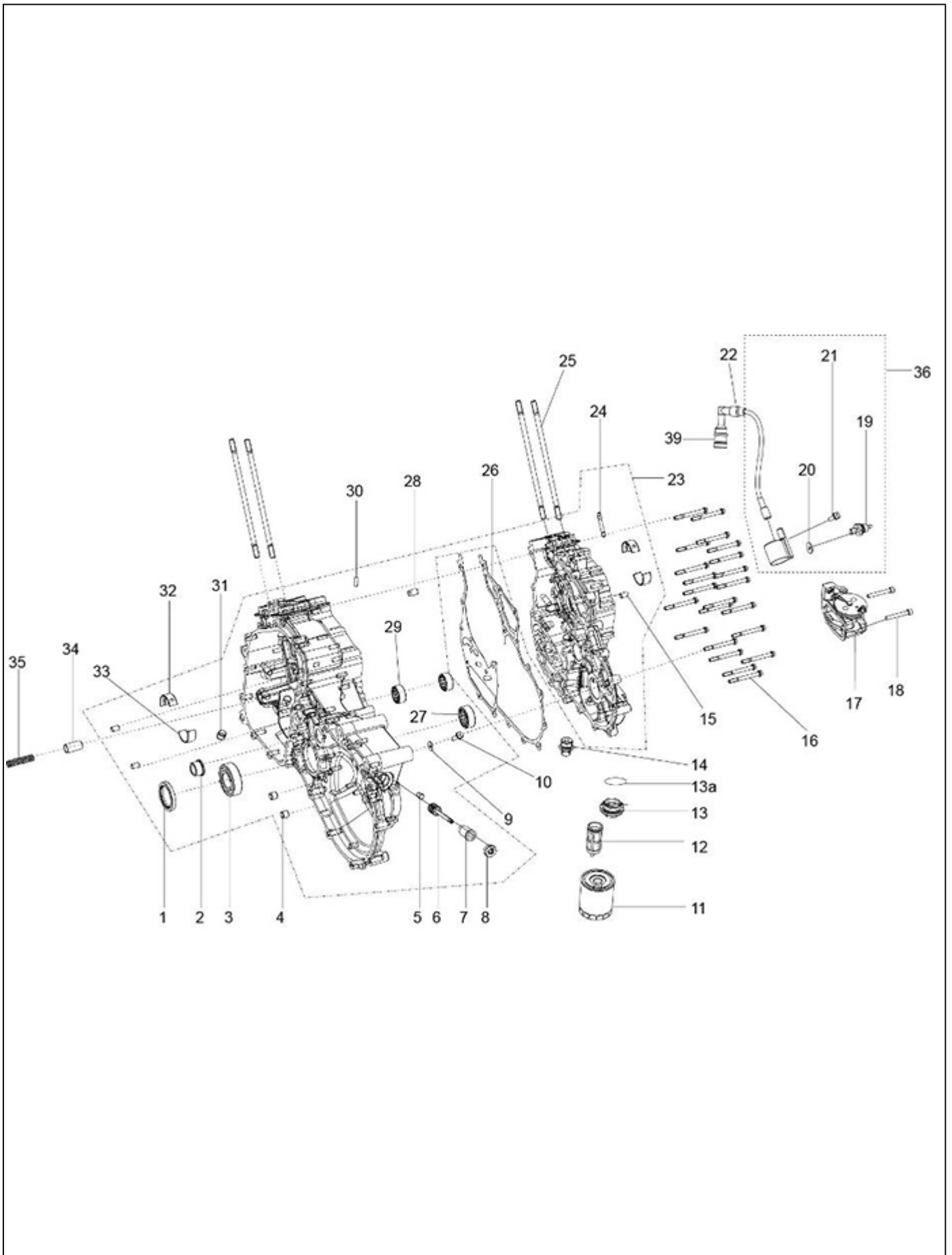


PLATE-9**Complete Crankcase**

Fig. No.	Part No.	Description	Qty	Remarks
1	1A002685	SEAL RING 35X47X6	1	
2	120302013	BUSH	1	
3	880255211R	DEEP GROOVE BALL BEARING 25X52X15	1	
4	B015591	REFERENCE DOWEL	2	
5	165121014	PIN	1	
6	124102019	FARE METER GEAR	1	
7	117401	BUSH	1	
8	117402	OIL SEAL	1	
9	B017178	WASHER	1	
10	B018718	EXAG. SOCKET CYLIND.HEAD SCREW M5X14	1	
11	82635R	COMPLETE OIL FILTER	1	
12	83065R	INTAKE OIL FILTER COMPLETE	1	
13	B015598	OIL FILTER PLUG	1	
13A	285536	O-RING GASKET 31.47X1.78	1	
14	B016856	OIL FILTER SCREW	1	
15	1A000708	DOWEL (Ø7,5, H=12)	4	
16	432142	HEXAGONAL RANGE HEAD SCREW (M6X35)	22	
17	1A001862	COMPLETE GEAR SHIFTER HSG ASSLY (NEW)	1	
18	819064530	SOCKET HEAD CAP SCREW M6X45	2	
19	641541	MIN.PRESSURE OIL SWITCH N.C.	1	
20	AP9150472	WASHER	1	
21	414837	SCREW M6X20	2	
22	1A001795	SPARK PLUG PROTECTION COLLAR	1	
23	940037	COMPLETE CRANKCASE WITH CRANKSHAFT STUB BEARING	1	
24	B019246	DOWEL	1	
25	B014755	STUD SCREW	4	
26	1A001278	ENGINE HALF-CRANKCASE GASKET	1	
27	120212012	NEEDLE BUSH	1	
28	B015592	REFERENCE DOWEL (D.9,5 H=15)	2	
29	884222808	NEEDLE BUSH 22X28X12	2	
30	484034	SIZING NOZZLE	1	
31	411311	TAPER THREAD PLUG	1	
32	B015872	CRANKSHAFT STUB UPPER HALF BEARING	2	
33	B015873	CRANKSHAFT STUB LOWER HALF BEARING	2	
34	829661	OIL PRES.VALVE	1	
35	485655	SPRING FOR OIL PRESSURE VALVE	1	
36	1A001794	COMPLETE H.T.COIL	1	
37	1A001283	OIL FILTER PROTECTION BRACKET (N.I.)	1	
38	B012219	OIL SUCTION INSERT	1	N.I
39	643149	SPARK PLUG CAP	1	

PLATE-9.1
Gear Shifter And Control Mechanism

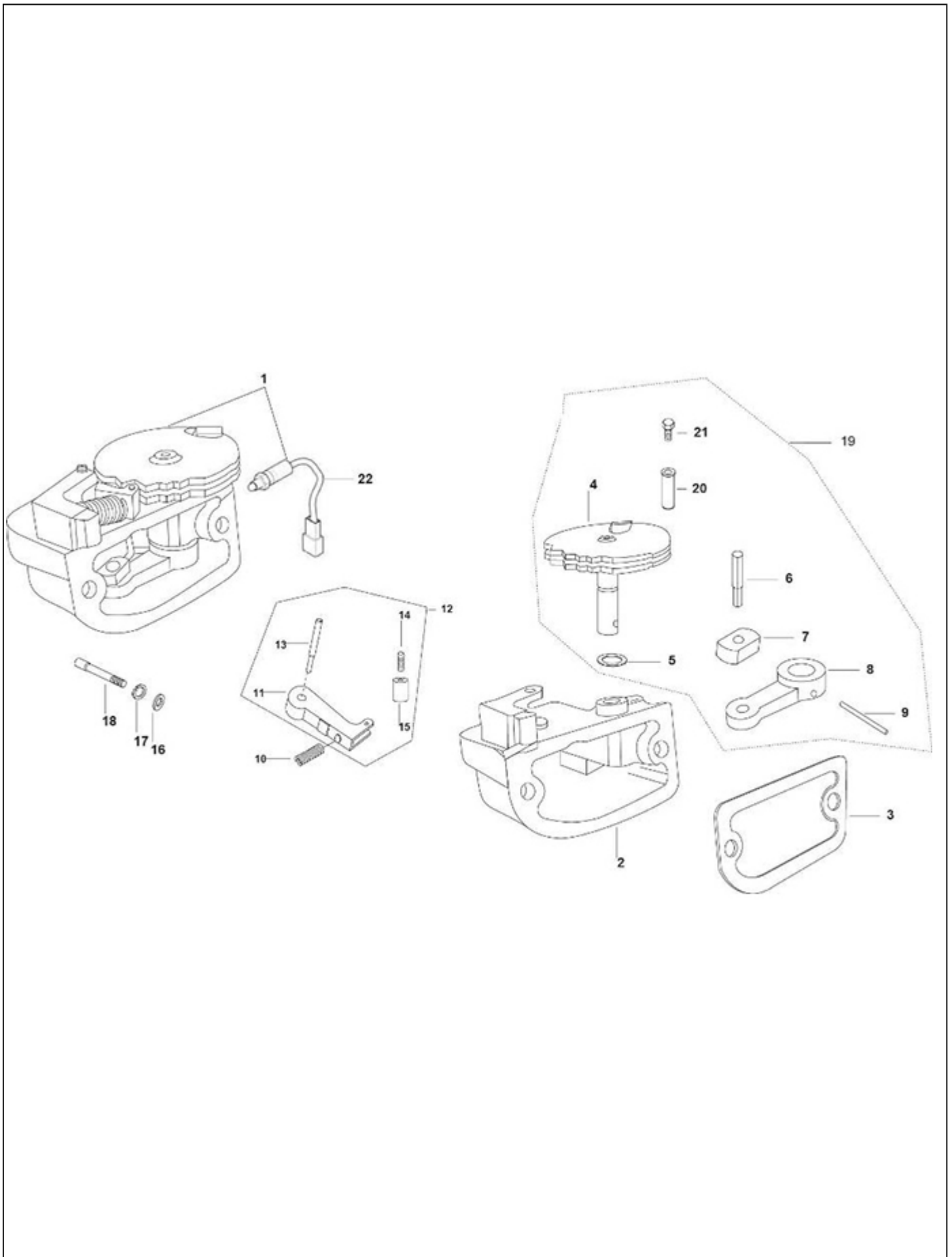


PLATE-9.1**Gear Shifter And Control Mechanism**

Fig. No.	Part No.	Description	Qty	Remarks
1	1A003852	COMPLETE GEAR SHIFTER HSG ASSLY -NEUTRAL SWITCH	1	
2	B042758	GEAR SHIFTER HOUSING (NEW)	1	
3	128081017	GASKET HOUSING GEAR SHIFTER HOUSING	1	
4	1A001468	COMPLETE SECTOR	1	
5	825080209	O - RING - (SECTOR PLATE ASSY.)	1	
6	126022017	PIN FOR SLIDER BLOCK	1	
7	126021013	SLIDER BLOCK	1	
8	526023017	GEAR SHIFTER LEVER	1	
9	17702	SPRING PIN	1	
10	126003011	SPRING GEAR SHIFTER ASSY.	1	
11	126060019	BRACKET ASSY.	1	
12	126050014	BKT. WITH ROLLER ASSY. CONSISTING OF SR.N.11,13-15	1	
13	126054010	SCREW FOR BRACKET	1	
14	126053016	PIN FOR ROLLER	1	
15	126052012	ROLLER	1	
16	3056	PLAIN WASHER	2	
17	16406	SPRING WASHER	2	
18	819064530	SOCKET HEAD CAP SCREW M6X45	2	
19	1A001863	SECTOR AND LEVER ASSY	1	
20	604560	SCREW TERMINAL ASSY. - GEAR CONTROL	1	
21	31054	HEX HD. SCREW M5X10 CL8.8	2	
22	B042759	GEAR REF. SWITCH (NEUTRAL SWITCH)	1	

PLATE-10
Cylinder Head With I.P.

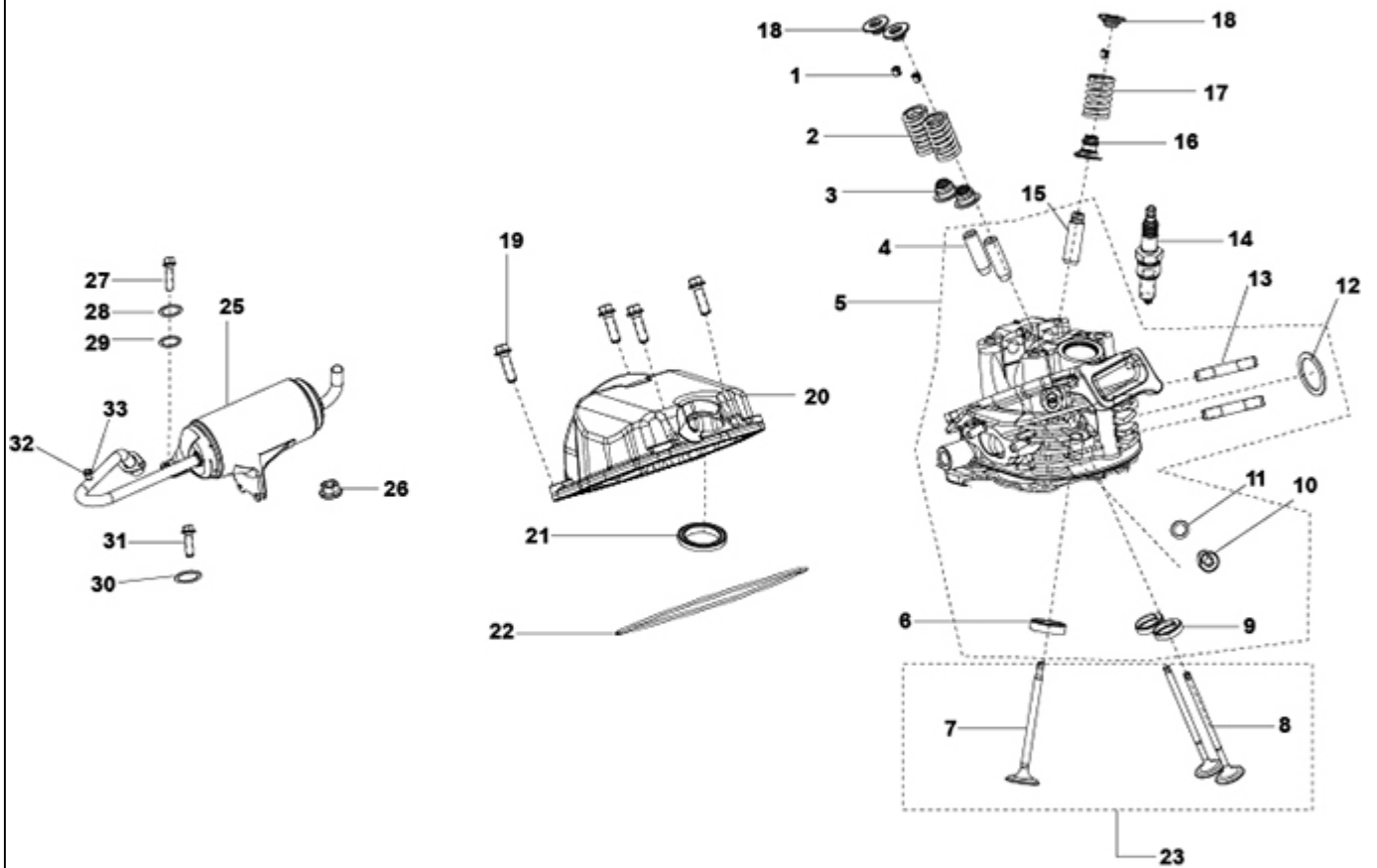


PLATE-10**Cylinder Head With I.P.**

Fig. No.	Part No.	Description	Qty	Remarks
1	B015288	HALF-CONE COLLET	3	
2	B014706	VALVE SPRING (INTAKE)	2	
3	83053R	VALVE SEAL RING	2	
4	-	INTAKE VALVE GUIDE	2	
5	1A003936R	CYLINDER HEAD ASSY	1	
5	1A004939	CYLINDER HEAD ASSY	1	
6	B017336	EXHAUST VALVE SEAT	1	
7	B017438	EXHAUST VALVE Ø22	1	
8	B014684	INTAKE VALVE Ø20	2	
9	B017230	INTAKE VALVE SEAT	2	
10	269755	SOCKET HEAD SCREW (M8X12)	1	
11	485703	WASHER	1	
12	434716	CYLINDER HEAD/MUFFLER GASKET	1	
13	B016368	SPECIAL STUD	2	
14	643367	SPARK PLUG	1	
15	-	EXHAUST VALVE GUIDE	1	
16	83054R	VALVE SEAL RING	1	
17	B014705	VALVE SPRING (EXHAUST)	1	
18	B017456	UPPER CUP	3	
19	1A002691	FLANGED HEX HEAD SCREW M6X20 CL10	4	
20	B019350	HEAD COVER	1	
21	B014732	SPARK PLUG HOLE GASKET	1	
22	B018533	CYLINDER HEAD COVER GASKET	1	
23	KIT1U000020	SET OF VALVES	1	
24	-	VALVE GUIDE SET	1	
25	B017921	MUFFLER ASSY-PETROL\LPG	1	
25	1A006609	MUFFLER ASSY-CNG	1	
25	1A005024	MUFFLER ASSY-LPG	1	
25	B006742	ASSEMBLY MUFFLER (N.I.)	1	
26	436947	FLANGED NUT M7X1 H=8	2	
27	30074	HEX HEAD BOLT M8 X 40 CL 8.8	2	
28	16408	SPRING WASHER M8	2	
29	3056	PLAIN WASHER	2	
30	16406	SPRING WASHER	2	
31	31089	HEX HEAD SCREW M6X18 CL 8.8	2	
32	433122	SCREW M10X6	1	
33	B016195	WASHER	1	

PLATE-11
Crankshaft Assembly

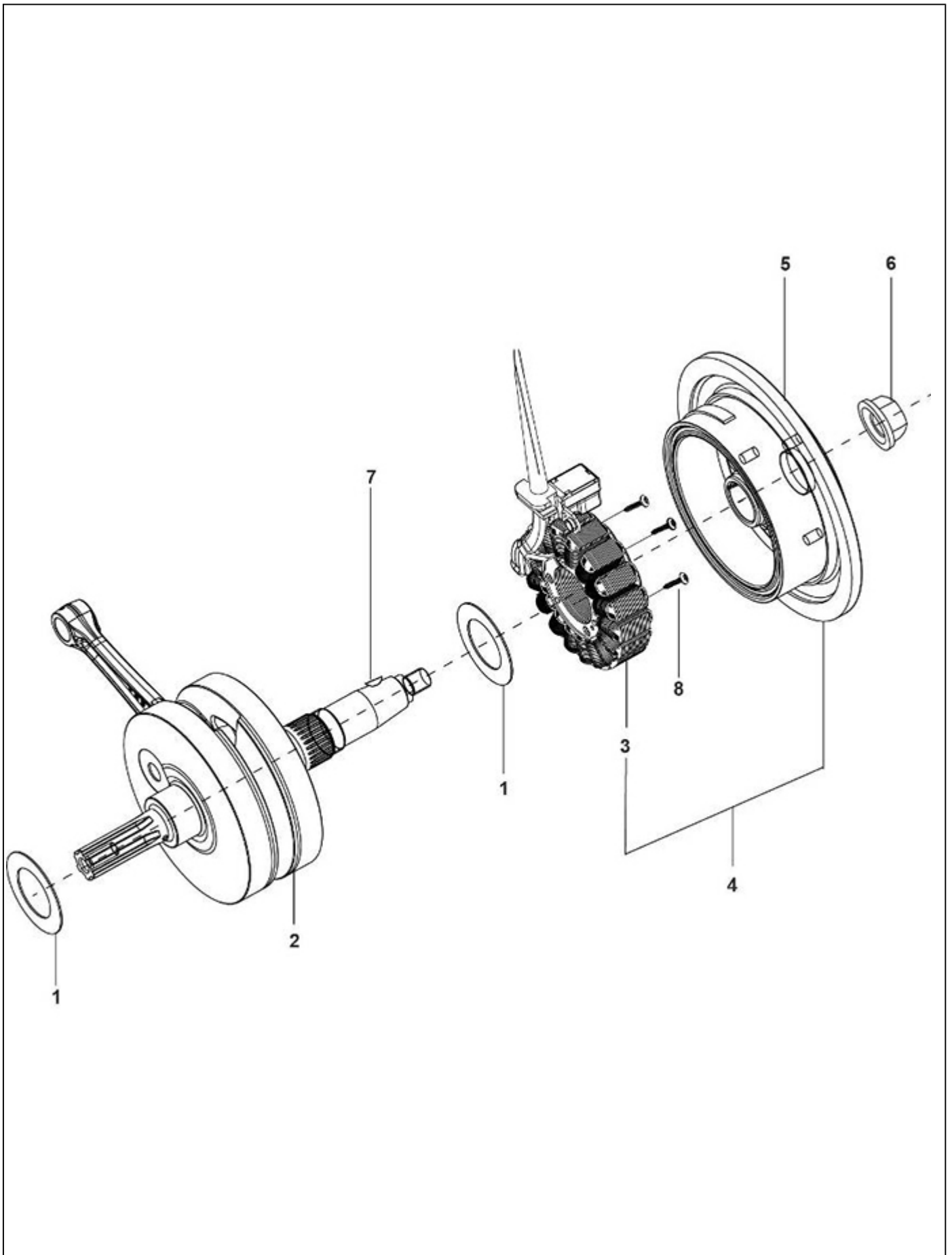


PLATE-11**Crankshaft Assembly**

Fig. No.	Part No.	Description	Qty	Remarks
1	B016144	WASHER	2	
2	1A006000	CRANKSHAFT ASSEMBLY	1	
3	680075	STATOR ASSLY	1	
4	58295R	COMPLETE A.C.GENERATOR	1	
5	680070	ROTAR ASSY WITH HUB	1	
6	436783	NUT WITH SPRING WASHER	1	
7	000267	WOODRUFF KEY	1	
8	1A000404	STATOR ASSY MTG SCREW	3	
9	1A006002	DOWEL	1	(N.I)

PLATE-12
Aircooling Circuit Components

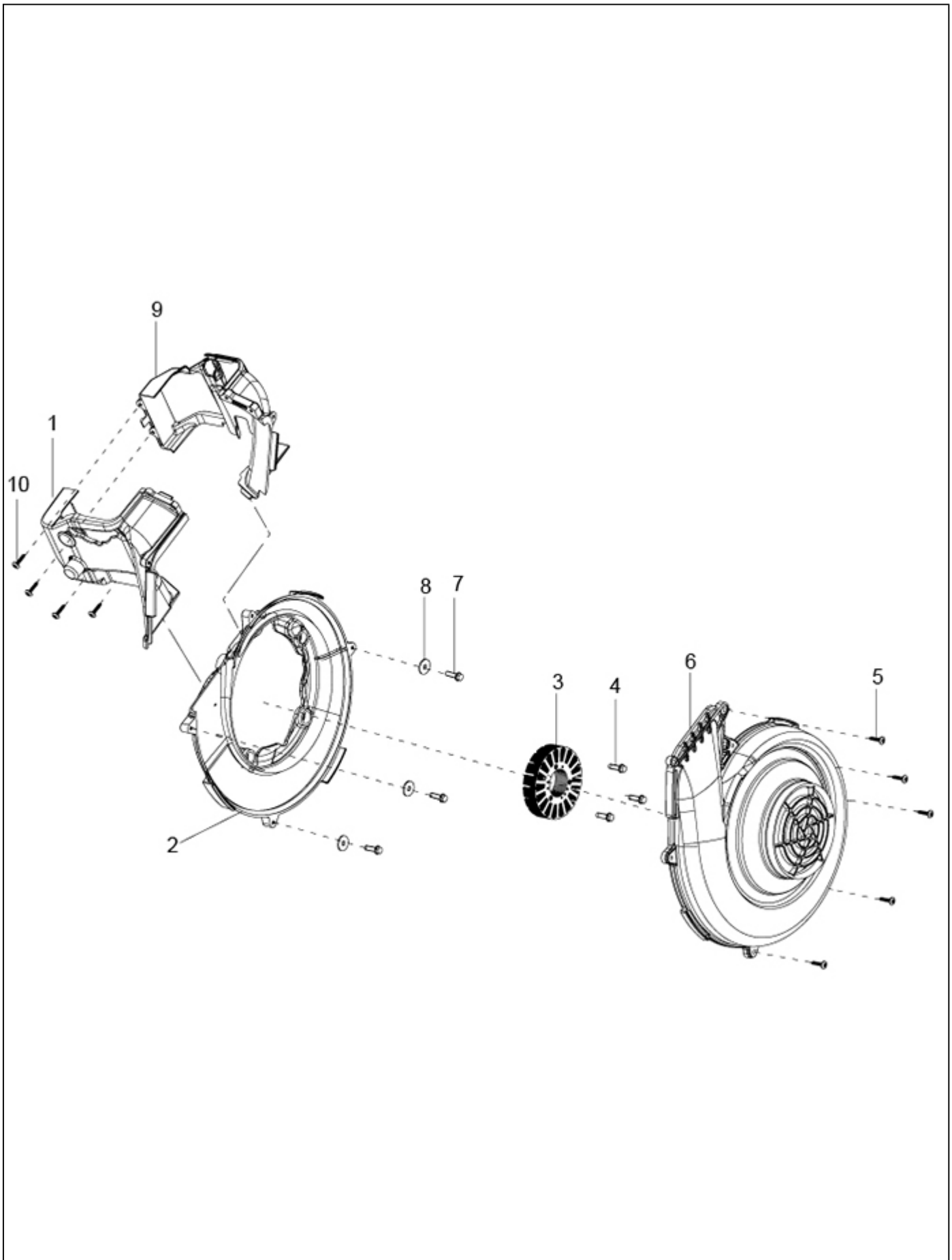


PLATE-12**Aircooling Circuit Components**

Fig. No.	Part No.	Description	Qty	Remarks
1	B018023	COMPLETE SHROUD INTAKE SIDE	1	
2	B015931	FAN COVER SUPPORT	1	
3	1A000831	ASSY FAN	1	
4	1A002691	FLANGED HEX HEAD SCREW M6X20 CL10	3	
5	1A000024	SELF TAPPING SCREW (3X20)	9	
6	B017377	FAN COVER	1	
7	018639	SCREW M6X20	4	
8	B016192	WASHER 6.2X20X2	4	
9	B018025	SHROUD EXHAUST SIDE	1	
10	B016620	SCREW WITH CYLINDRICAL HEAD M5X21	1	

PLATE-13
Timing Group

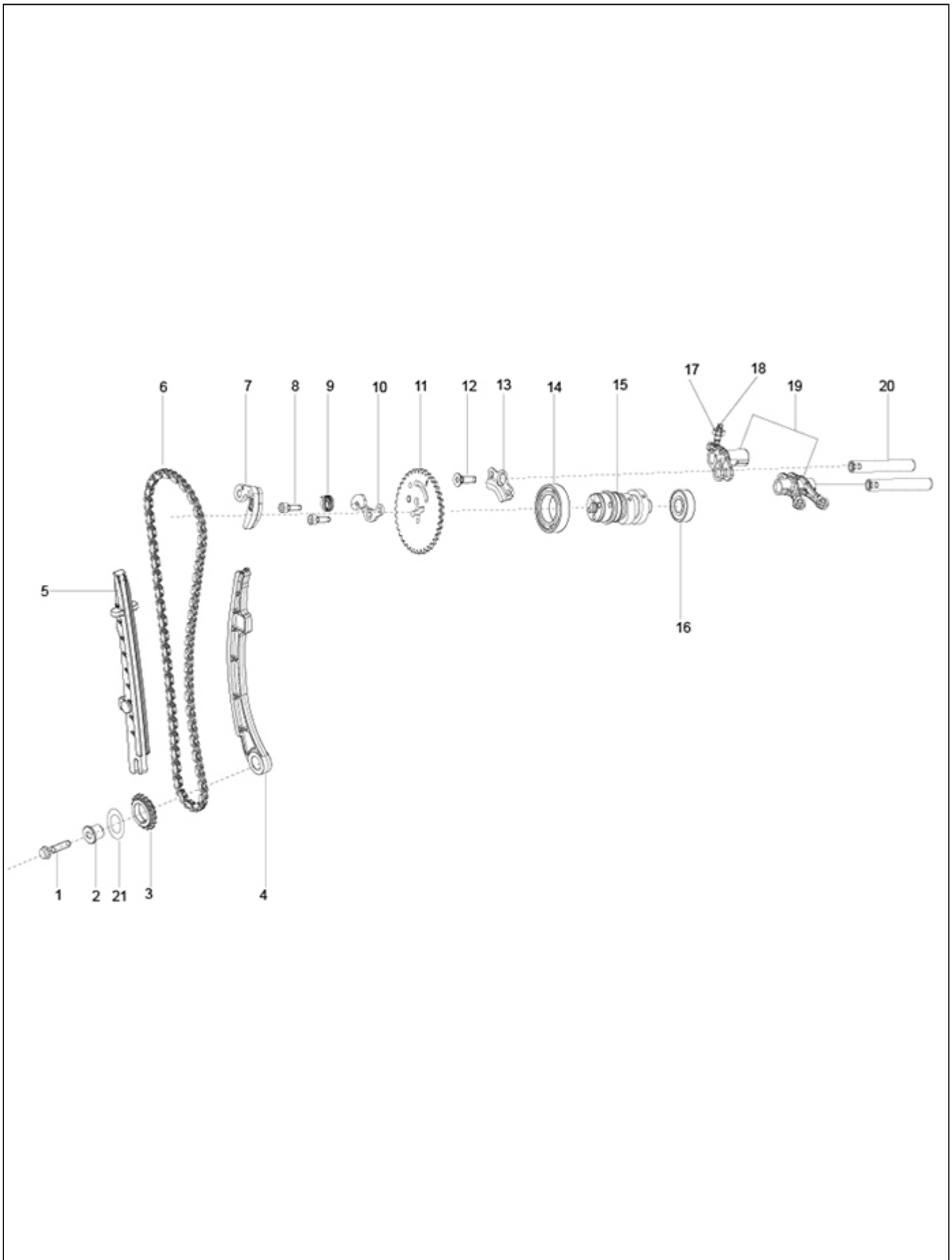


PLATE-13**Timing Group**

Fig. No.	Part No.	Description	Qty	Remarks
1	B016774	FLANGED HEXAGONAL SCREW M6X25	1	
2	485868	SPACER FOR CHAIN TIGHTNING ROD	1	
3	B015017	TIMING PINION	1	
4	1A004875	CHAIN TIGHTENING ROD	1	
5	B014997	FIXED PAD	1	
6	1A001114R	TIMING CHAIN	1	
7	1A005421	CENTRIFUGAL MASS WITH I.P.	1	
8	B018718	EXAG. SOCKET CYLIND.HEAD SCREW M5X14	2	
9	B015483	DECOMPRESSION SPRING	1	
10	B015043	CENTRIFUGAL MASS CONTAINMENT SHEET	1	
11	1A002358	TIMING CROWN	1	
12	B018946	COUNTERSUNK SCREW M6X18	1	
13	B014760	CAMSHAFT CONTAINMENT SHEET-STEEL	1	
14	83041R	DEEP GROOVE BALL BEARING	1	
15	B017746	CAMSHAFT WITH I.P.	1	
16	83040R	DEEP GROOVE BALL BEARING	1	
17	B017323	VALVE ADJUSTMENT SCREW	3	
18	B017431	ROCKER ARM NUT	3	
19	83062R	ROCKER ARM GROUP	1	
20	B017113	ROCKER ARM SHAFT	2	
21	B018356	WASHER	1	

PLATE-14
Cylinder- Piston Group

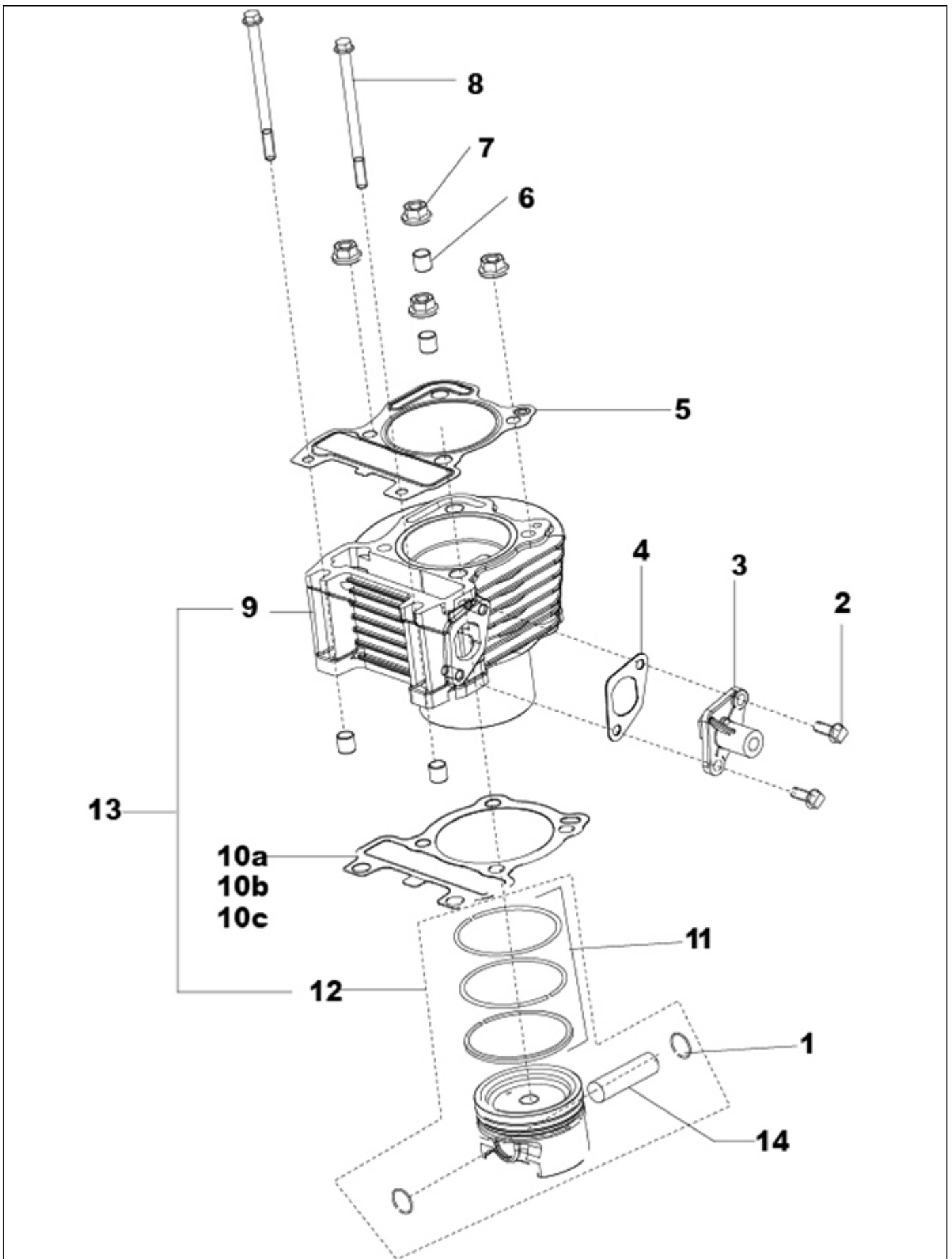


PLATE-14**Cylinder- Piston Group**

Fig. No.	Part No.	Description	Qty	Remarks
1	963486	CIRCLIP FOR PISTON WRIST	2	
2	434541	SCREW	2	
3	82650R	CHAIN TIGHTENING DEVICE	1	
4	847928	CHAIN SUPPORT GASKET	1	
5	B014555	HEAD CYLINDER GASKET	1	
6	435571	REFERENCE DOWEL	4	
7	B016939	FLANGED NUT M8X1.25	4	
8	B018854	SCREW M6X90 T.E. FLANGE	2	
9	B019317	CYLINDER	1	
10a	CM166201	CRANKCASE/ CYLINDER GASKET 0.4 MM	1	
10b	CM166202	CRANKCASE/ CYLINDER GASKET 0.6 MM	1	
10c	CM166203	CRANKCASE/ CYLINDER GASKET 0.8 MM	1	
11	KIT1U000023	RING SET	1	
12	KIT1U000024	PISTON ASSEMBLY	1	
13	KIT1U000025	BLOCK PISTON KIT	1	
14	482335	PISTON PIN	1	

PLATE-15
Electric Starting Group

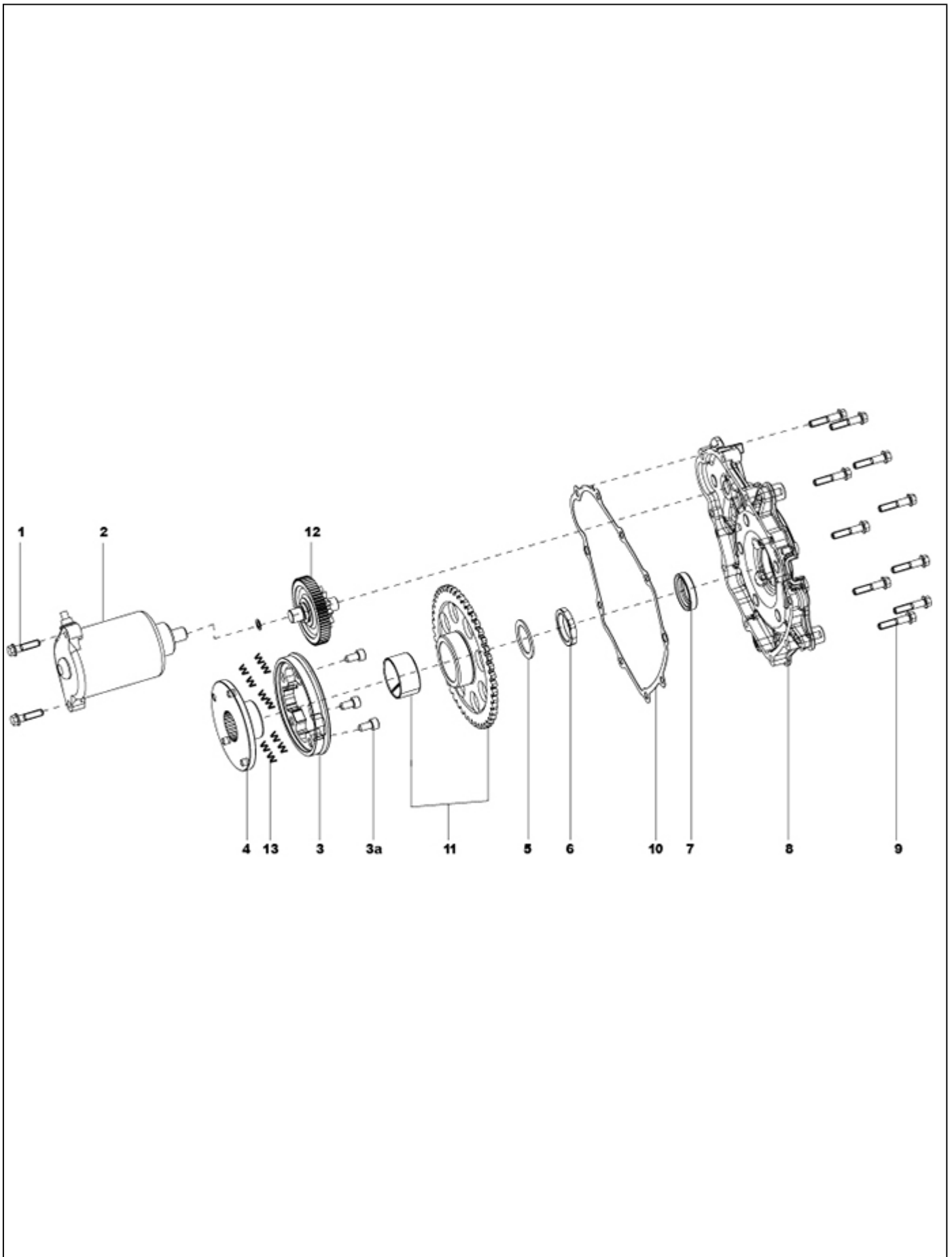


PLATE-15**Electric Starting Group**

Fig. No.	Part No.	Description	Qty	Remarks
1	18639	SCREW M6X20	2	
2	1D000425R	STARTER MOTOR	1	
3	58296R	ONE WAY CLUTCH	1	
3A	1A002311	SOCKET HEAD SCREW	3	
4	B016158	CAM CLUTCH HUB	1	
5	B016148	WASHER	1	
6	B016147	RING NUT	1	
7	B016120	SEAL RING 25X35X7	1	
8	B015888	STARTER COVER	1	
9	B018853	HEXAG. HEAD SCREW (M6X30)	10	
10	B015942	STARTER COVER GASKET	1	
11	1A001187R	TOOTHED CROWN ELECTRIC STARTER	1	
12	B017189	ELECTRIC STARTER INTERMED GEAR WITH P.I.	1	
13	1A002661	PLANE SPRING - CLUTCH ASSY	5	

PLATE-16
Gear Group

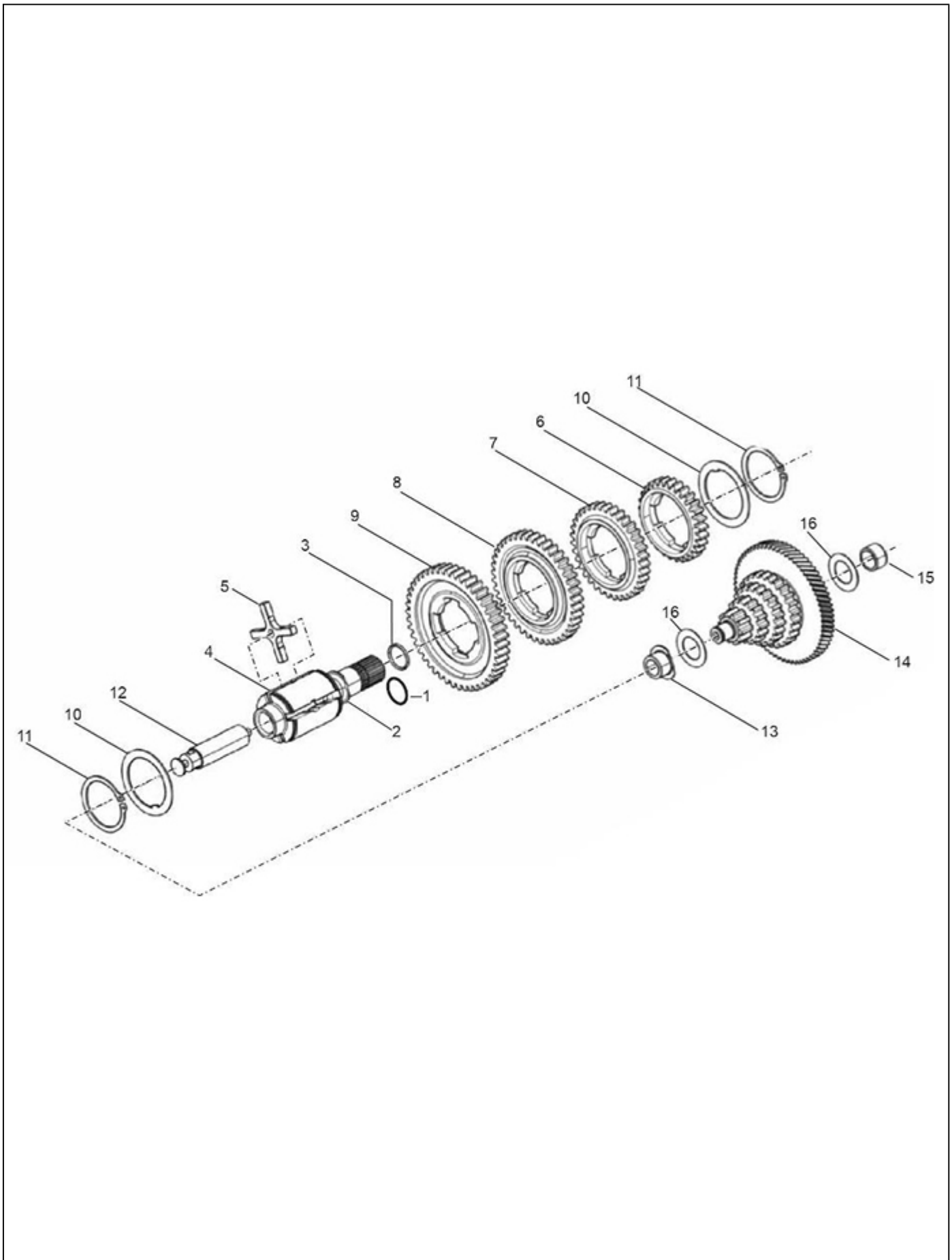


PLATE-16
Gear Group

Fig. No.	Part No.	Description	Qty	Remarks
1	B017177	SEAL RING	1	
2	B018472	SPACER	1	
3	B018473	O-RING	1	
4	B018471	SECONDARY GEAR SHAFT	1	
5	B003924	CROSS	1	
6	1A003606	SPEED GEAR 4TH (NEW)	1	
7	1A003605	SPEED GEAR 3RD (NEW)	1	
8	1A003604	SPEED GEAR 2ND (NEW)	1	
9	1A003603	SPEED GEAR 1ST (NEW)	1	
10	523012017	SHOULDER RING 1.7 MM THK	2	
11	842004808	CIRCLIP DIA.48 (EXT)	2	
12	1A001916	STEM (NEW)	1	
13	B016205	INTERNAL RING (FLY WHEEL SIDE)	1	
14	1A003607	CLUSTER GEAR (NEW)	1	
15	122032014	INNER RING - CLUSTER GEAR	1	
16	B016206	SHOULDER WASHER	2	

PLATE-17
Differential Gear Group

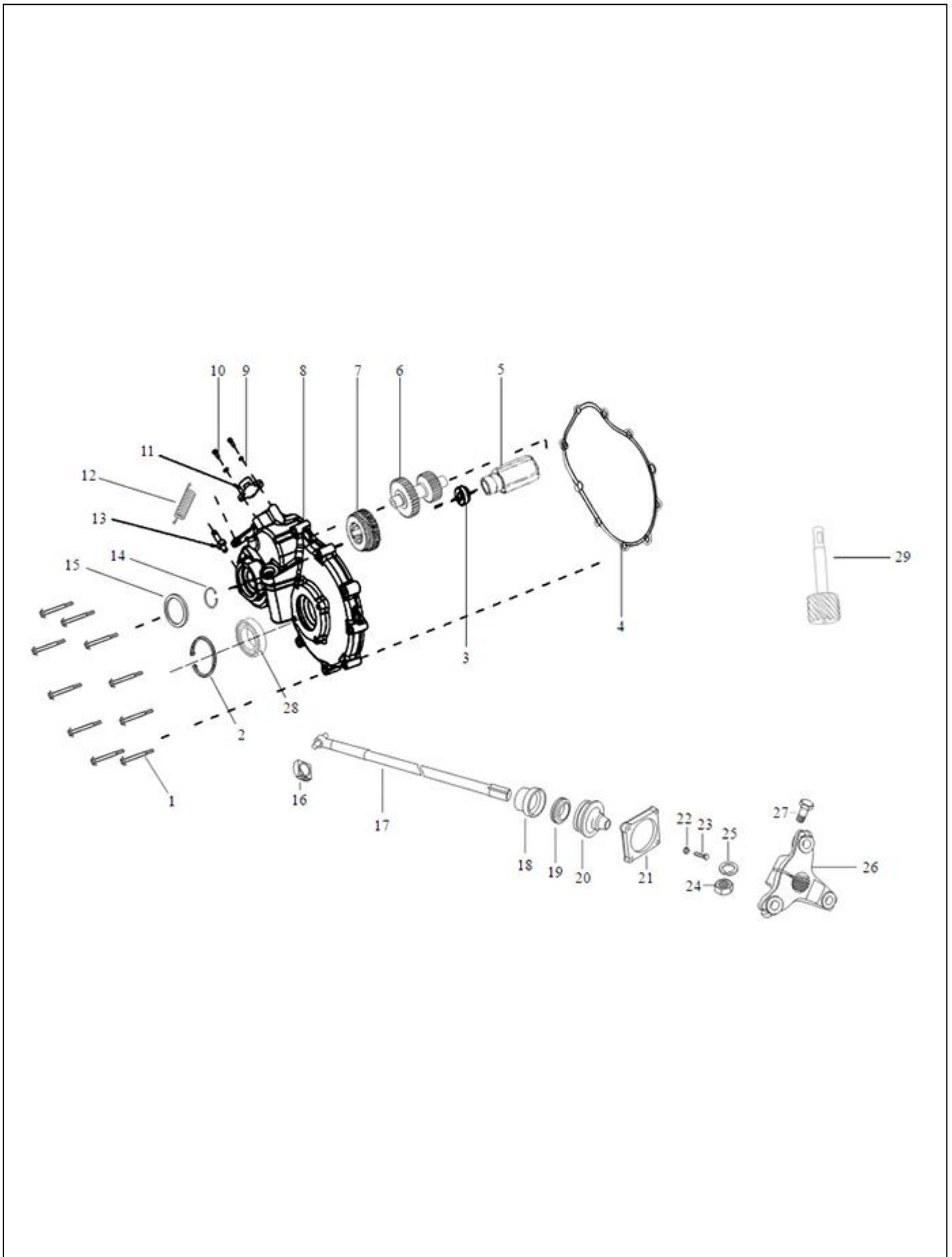


PLATE-17**Differential Gear Group**

Fig. No.	Part No.	Description	Qty	Remarks
1	B016621	SCREW M8X50	10	
2	6450	EXT CIRCLIP DIA 48	1	
3	B018991	PLUG FOR FAREMETER	1	
4	-	DIFFERENTIAL COVER GASKET	1	
5	B018990	REVERSE SHAFT	1	
6	B017134	REVERSE GEAR - PETROL \ LPG	1	
6	B015817	REVERSE GEAR - CNG	1	
7	B017133	SLIDING GEAR - PETROL \ LPG	1	
7	B015816	SLIDING GEAR - CNG	1	
8	B016170	DIFF. GEAR COVER WITH I.P. Å?? LPG, PTL	1	
8	B0186174	DIFF. GEAR COVER WITH I.P. - CNG	1	
9	3054	PLAIN WASHER	2	
10	15996	PHIL RD HD SCREW M4X12	2	
11	567498R	BRAKE/REVERSE LIGHT SW (INTEGRAL CAP)-PAV	1	
12	127111011	REVERSE GEAR SPRING	1	
13	128307019	BOLT R.C. SPRING RETAINING	1	
14	842003000	CIRCLIP DIA. 30 (EXT.)	1	
15	1A000236	OIL SEAL	1	
16	112867R	SLIDER BLOCK PROP. SHAFT	4	
17	B023940	PROP. SHAFT S/A	2	
18	113278	BRACKET RETAINER RING (41736)	2	
19	183511	OIL RING	2	
20	198618	BELLOW	2	
21	111356	COVER	2	
22	16406	SPRING WASHER	8	
23	31092	HEX. HD SCREW M6X25	8	
24	231370	SELF BREAKING NUT M10	2	
25	16410	SPRING WASHER	2	
26	111498	ELASTIC HUB	2	
27	B024614	HEX HEAD BOLT M10X45 CL 10.9	2	
28	880255211	DEEP GROOVE BALL BEARING 25 X 52 X 15	1	
29	124102019	FARE METER GEAR	1	
30	124140011	FARE METER HOUSING ASSY. COMPLETE (MODIFIED)	1	N.I

PLATE-18

Engine Support

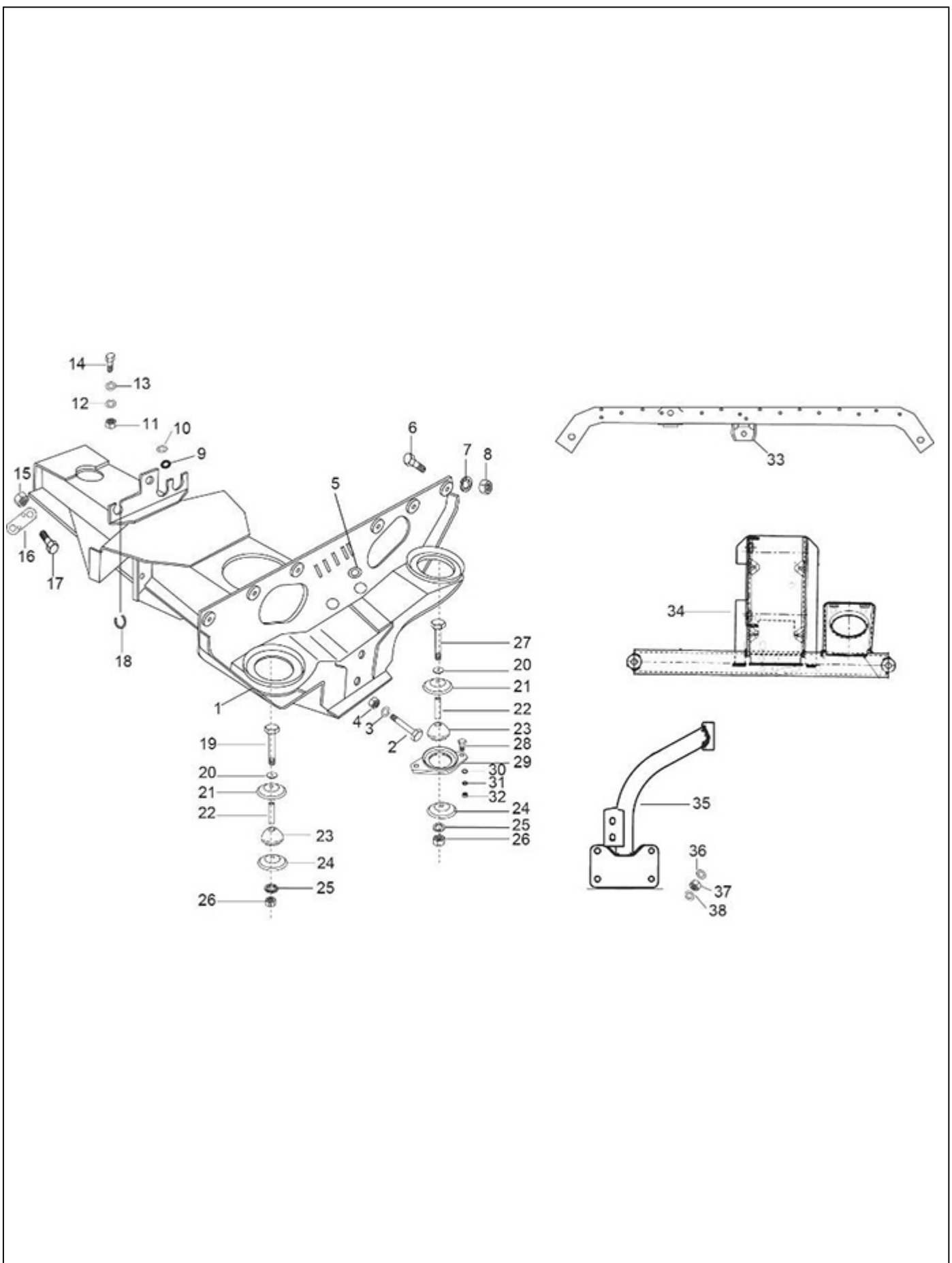


PLATE-18**Engine Support**

Fig. No.	Part No.	Description	Qty	Remarks
1	B024838	FRAME ASSY. SUSPENSION & ENGINE SUPPORT	1	
2	632594	HEX HEAD BOLT M10X100	2	
3	286328	PLAIN WASHER 20X10.2X2	2	
4	231370	SELF BREAKING NUT M10	2	
5	15478	GROMMET4	2	
6	31119	HEX HD SCREW M8 X 25	6	
7	16408	SPRING WASHER M8	6	
8	20108	HEX NUT M8	6	
9	178610	GROMMET	1	
10	16406	SPRING WASHER	2	
11	20108	HEX NUT M8	2	
12	16408	SPRING WASHER M8	2	
13	2383	PLAIN WASHER M20X8.5X2	2	
14	B003855	SOCKET HEAD CAP SCREW M8	2	
15	231370	SELF BREAKING NUT M10	2	
16	108834	PLATE	2	
16	632299	PLATE	1	
17	632247	HEX HDD SCREW M10X30 CC8.8	2	
18	568140	GROMMET	1	
19	604948	HEX.HDD BOLT M8 X 110 WITH POINTING	2	
20	2383	PLAIN WASHER M20X8.5X2	3	
21	569375	PLATE	3	
22	569241	SPACER	2	
23	265091	DUMPER ENGINE MTG.	2	
24	569244	PLATE	3	
25	16408	SPRING WASHER M8	3	
26	15335	HEX HD NUT M8	2	
27	272178	HEX. HDD BOLT M8 X 122 CL 10.9	1	
28	31154	HEX HDD SCREW M10X22 CL 8.8	2	
29	B003286	REAR AVM SUPPORT BKT. ASSY.	1	
30	286328	PLAIN WASHER 20X10.2X2	2	
31	16410	SPRING WASHER	2	
32	20108	HEX NUT M8	4	
33	B008893	CROSS MEMBER ENGINE SUPPORT REAR	1	
34	B008921	FRT CROSS MEMBER ASSY. ENG. MTG.	1	
35	B008898	SUPPORT ARM ENGINE REAR SUB ASSY WITH IP	1	
36	286328	PLAIN WASHER 20X10.2X2	2	
37	20110	HEX NUT M10	4	
38	16410	SPRING WASHER	2	
39	B003371	SUPPORT ARM ENGINE REAR ASSY	1	(N.I)

PLATE-19

Fuel Tank/Filter/Fuel Pipes

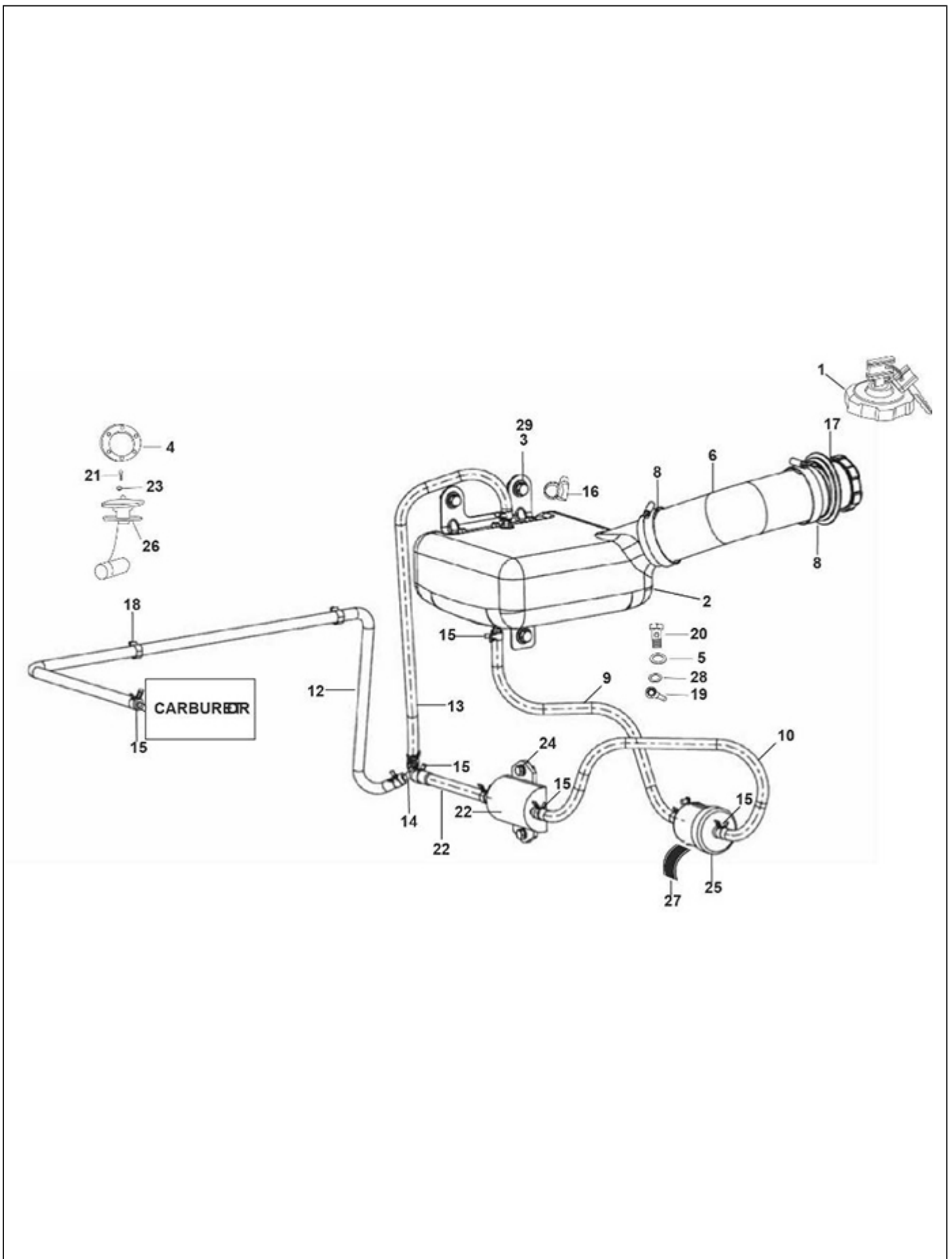


PLATE-19**Fuel Tank/Filter/Fuel Pipes**

Fig. No.	Part No.	Description	Qty	Remarks
1	B024168	P.T.CAP ASSLY WITH KEY	1	
2	B001430	FUEL TANK ASSY.	1	
2	B042390	FUEL TANK ASSY. PLASTIC (LPG/CNG)	1	
3	3068	PLAIN WASHER	4	
4	92588	RUBBER GASKET FOR UNIT TANK	1	
5	13880	METALIC PLAIN WASHER	4	
6	B042378	NECK HOSEHOSE FUEL TANK	1	
7	B003115	TUBE FUEL TANK FILLER ASSY	1	
8	604756	HOSE CLIP	2	
9	B009582	FUEL PIPE TANK TO FILTER	1	
10	B002625	FUEL PIPE FILTER TO FEED PUMP - CNG/LPG	1	
11	B002626	FEED PUMP TO 'Y' CONNECTOR - CNG/LPG	1	
12	B024892	Y CONT. TO CARBURETTOR - CNG/LPG	1	
13	B002628	Y CONNECTOR TO FUEL ANK RETURN - CNG/LPG	1	
14	644824	THREE WAY 'Y' CONNECTOR - CNG/LPG	1	
15	B003282	HOSE CLIP (DIA.7) (PETROL & CNG/LPG)	9	
16	B003929	FLY SPRING (CNG/LPG)	2	
17	644299	COLLAR	1	
18	109249	CLAMP	2	
19	604908	BANJO	1	
20	604909	BANJO BOLT (M14X1.5)	1	
21	31056	HEX HEAD SCREW M5 X 10 - CL8.8	6	
22	B002630	ELECTRICAL FEED PUMP CNG/LPG	1	
23	16405	SPRING WASHER M5	6	
24	31088	HEX HD SCREW M6 X 16 CL 8.8 (811061623)	2	
25	616738R	FUEL FILTER	1	
26	567878R	TANK UNIT	1	
27	652105	RUBBER PACKING PRIMARY FUEL FILTER (PETROL & CNG/LPG)	1	
28	217280	SPRING WASHER M6 (PETROL & CNG/LPG)	4	
29	31088	HEX HD SCREW M6 X 16 CL 8.8 (811061623)	4	

PLATE-20

Wind Shield/Glass/Beading

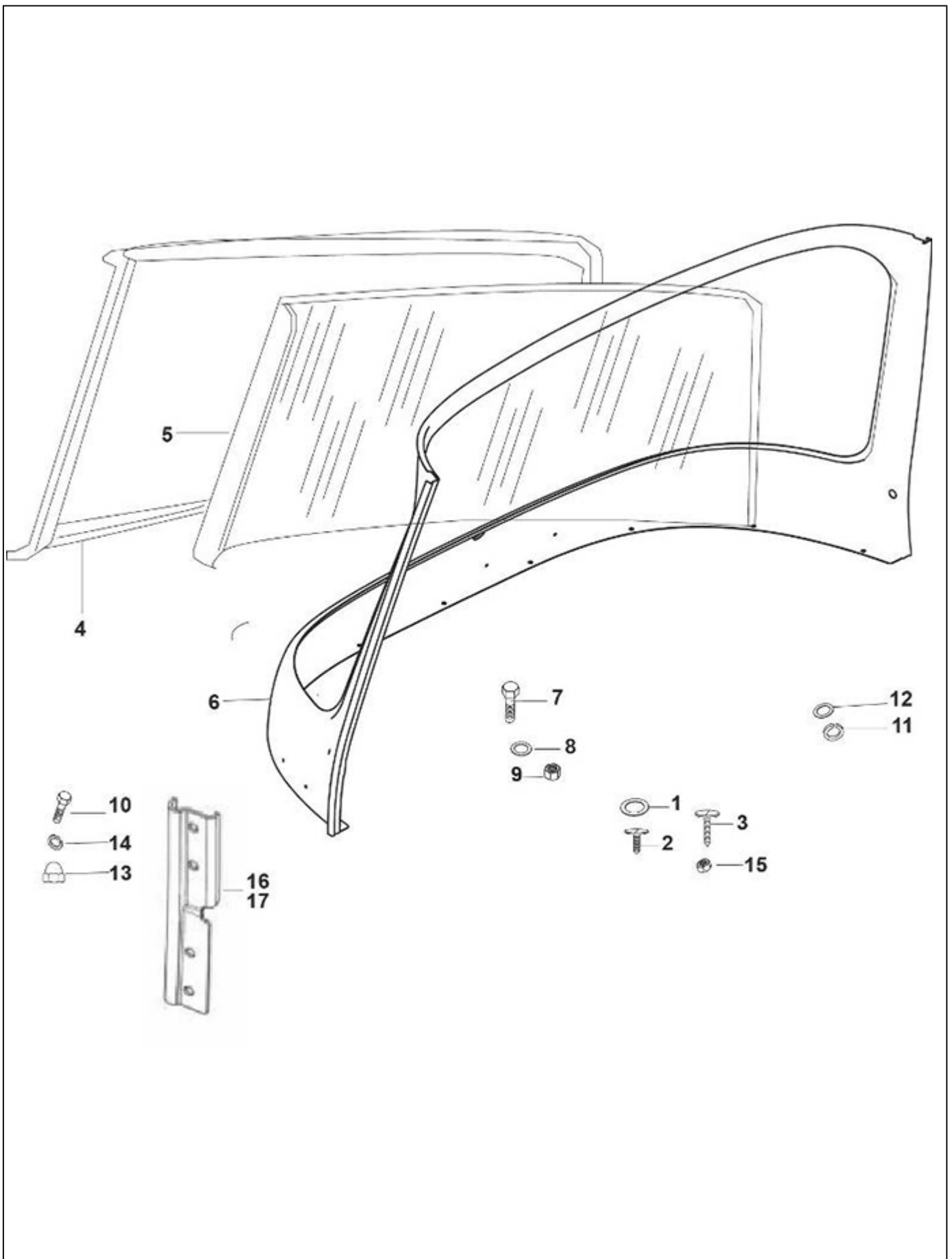


PLATE-20**Wind Shield/Glass/Beading**

Fig. No.	Part No.	Description	Qty	Remarks
1	16670	PLAIN WASHER 12X4.5X1	2	
2	568692	PAN SELF TAP SCREW 6SG X 16AB	2	
3	18630	PAN SELF TAP SCREW 6SG X 25AB	2	
4	B073626	WINDSHIELD PACKING	1	
5	B073601	LAMINATED WINDSHIELD GLASS	1	
6	B073602ED	WINDSCREEN FRAME (COMPLETE)	1	
7	B001386	HEX HEAD SCREW M5X20	9	
8	16405	SPRING WASHER M5	16	
9	20105	HEX NUT M5	20	
10	30242	SLOT CH. HD. SCREW	8	
11	808000826	PLAIN WASHER M8	2	
12	16408	SPRING WASHER M8	2	
13	568713	DOME NUT	8	
14	3055	RAW WASHER(808000527)	8	
15	20104	HEX NUT M4	8	
16	B073588	WIND SHILD DOME CON. BKT-RH	1	
17	B073587	WIND SHILD DOME CON. BKT-LH	1	

PLATE-21

Main Frame/Driver Seat/Battery Bkt//Nose/Fr. Mud/Mud Flap

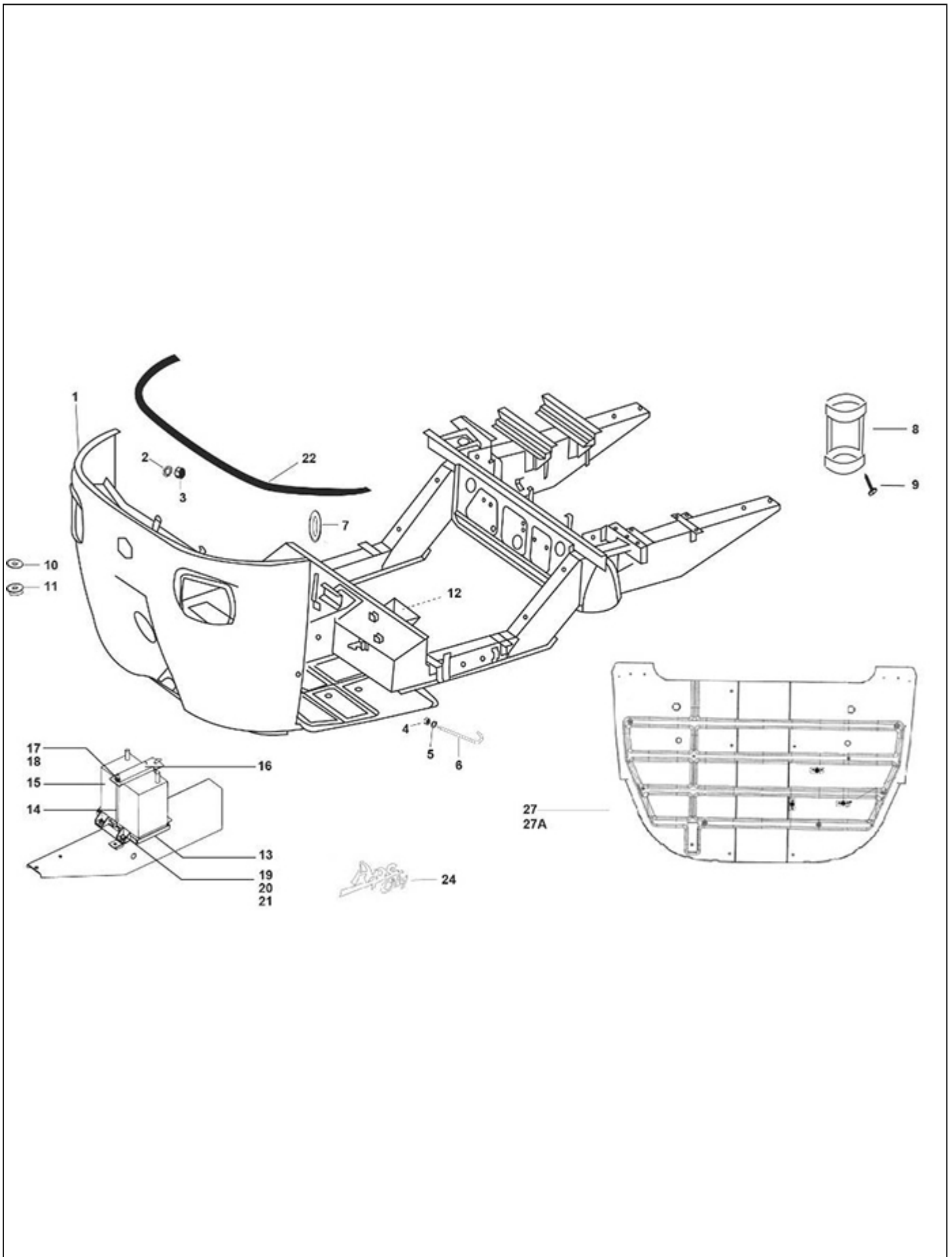


PLATE-21**Main Frame/Driver Seat/Battery Bkt//Nose/Fr. Mud/Mud Flap**

Fig. No.	Part No.	Description	Qty	Remarks
1	B074584GY	MAIN FRAME ASSLY WITH IP_UPGRADE_PETROL-GY	1	
1	B074584BY	MAIN FRAME ASSLY WITH IP_UPGRADE_PETROL-BY	1	
1	B074584BW	MAIN FRAME ASSLY WITH IP_UPGRADE_PETROL-BW	1	
1	B074584CB	MAIN FRAME ASSLY WITH IP_UPGRADE_PETROL-CB	1	
1	B074584EG	MAIN FRAME ASSLY WITH IP_UPGRADE_PETROL-EG	1	
1	B074538EG	MAIN FRAME ASSLY WITH IP_UPGRADE-CNG-EG	1	
1	B074538GY	MAIN FRAME ASSLY WITH IP_UPGRADE-CNG-GY	1	
1	B074538BY	MAIN FRAME ASSLY WITH IP_UPGRADE-CNG-BY	1	
1	B074573EG	MAIN FRAME ASSLY WITH IP_UPGRADE_LPG-EG	1	
1	B074573GY	MAIN FRAME ASSLY WITH IP_UPGRADE_LPG-GY	1	
1	B074573BY	MAIN FRAME ASSLY WITH IP_UPGRADE_LPG-BY	1	
1	B074586BY	MAIN FRAME ASSLY WITH IP_UPGRADE_DIESEL-BY	1	
1	B074586CB	MAIN FRAME ASSLY WITH IP_UPGRADE_DIESEL-CB	1	
1	B074586EG	MAIN FRAME ASSLY WITH IP_UPGRADE_DIESEL-EG	1	
1	B074586GY	MAIN FRAME ASSLY WITH IP_UPGRADE_DIESEL-GY	1	
1	B074586BW	MAIN FRAME ASSLY WITH IP_UPGRADE_DIESEL-BW	1	
2	3054	PLAIN WASHER	5	
3	20104	HEX NUT M4	5	
4	20108	HEX NUT M8	1	
5	3058	PLAIN WASHER 15X8.4X1.5	1	
6	604954	TENSION ROD	1	
7	B002412	GROMMET WIRING HAND BRAKE	1	
8	B041392	BOTTLE CARRIER STAND	1	
9	660168	PAN SELF TP. SCREW 10 SGX13AB	2	
10	B002539	GROMMET FOR DIA 7 HOLE ON DOME	2	
11	604756	HOSE CLIP	2	
12	B042517	AIR DEFLECTOR	1	
13	616649	BATTERY TRAY	1	
14	632508	TENSION ROD ASSY. (BATTERY MOUNTING.)	1	
15	652253R	BATTERY 12V-35AH	1	
16	B003978	BATTERY HOLDING PLATE	1	
17	20108	HEX NUT M8	1	
18	3058	PLAIN WASHER 15X8.4X1.5	1	
19	16408	SPRING WASHER M8	1	
20	13861	PLAIN WASHER 20X8.2X2.5	4	
21	31118	SCREW M8X20	4	
22	B024474	RIM COVERAGE JOINT	1	
23	NS	DIFFERENTIAL COVER GASKET	1	
24	B041459	PLATE FRONT DOME -APE CITY	1	(N.I)
25	B074657	BEEDING DOME SIDE PILLAR (LPG/CNG)	1	(N.I)
26	B074637	BEEDING DOME SIDE PILLAR (PET/DLS)	1	(N.I)
27	B074435	CABIN FLOOR SUB-ASSY. (LPG / CNG)	1	

PLATE-21

Main Frame/Driver Seat/Battery Bkt//Nose/Fr. Mud/Mud Flap

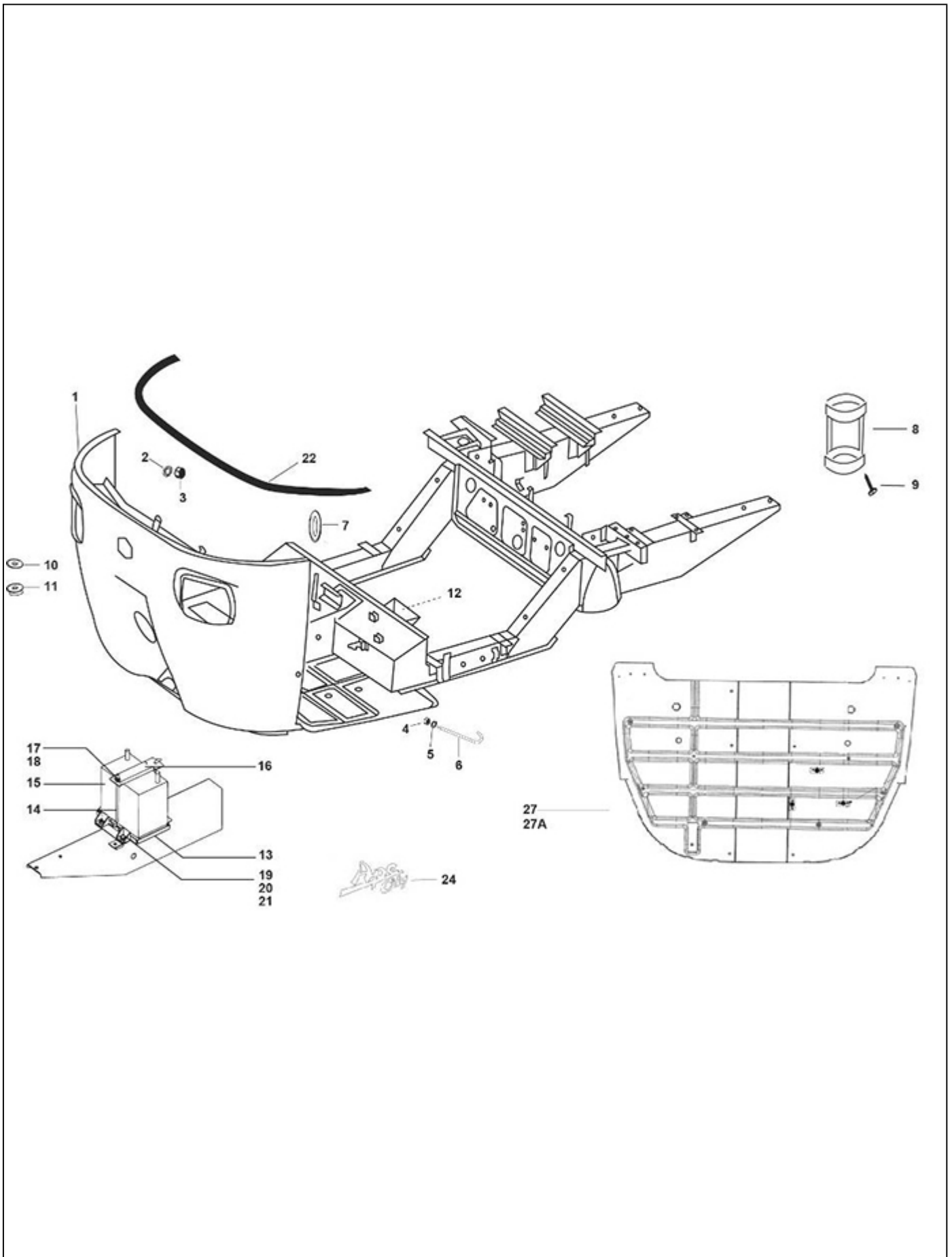


PLATE-21**Main Frame/Driver Seat/Battery Bkt//Nose/Fr. Mud/Mud Flap**

Fig. No.	Part No.	Description	Qty	Remarks
27A	B074150	CABIN FLOOR SUB-ASSY. (PET/ DLS)	1	

PLATE-22

Inner Parts Of Cabin

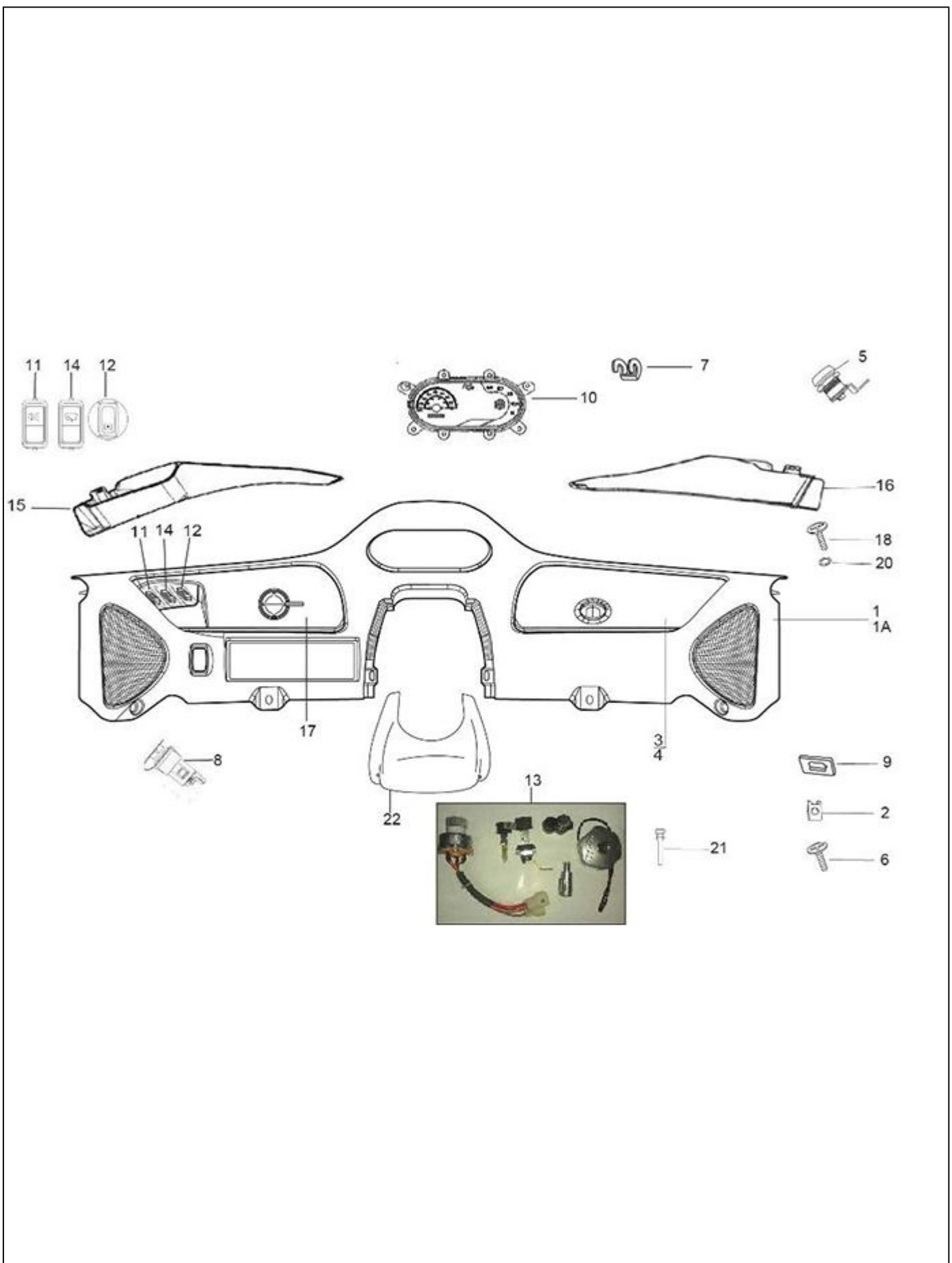


PLATE-22**Inner Parts Of Cabin**

Fig. No.	Part No.	Description	Qty	Remarks
1	B074736	DASH BOARD ASSY. (DSL)	1	
1	B074737	DASH BOARD ASSY. (PET)	1	
1	B074279	DASH BOARD ASSY. (LPG / CG)	1	
1A	B073809	DASH BOARD ASSY.	1	
2	8080	SPRING PLATE	4	
3	B073810	GLOVE BOX COVER	1	
4	568671	GASKET - GLOW BOX COVER (N.I.)	4	
5	B024169	GLOVE BOX LOCK WITH KEY	1	
6	660168	PAN SELF TP. SCREW 10 SGX13AB	4	
7	605389	HINGE	1	
8	B074905	MOBILE CHARGER	1	
9	643691	BOLT LOCK PLATE	1	
10	B074216	INSTR. CLUSTER (PETROL)	1	
10	B074271	INSTR. CLUSTER (CNG/LPG)	1	
10	B074914	INSTR. CLUSTER (DLS)	1	
11	B073478	SWITCH 3 POSITION	1	
12	B073481	HAZARD WARNING SWITCH WITH CROWN CAP (12V)(VE)	1	
13	B024683	LOCK SET	1	
13	B024684	COMPLETE LOCK SET - PETROL	1	
13	B042082	COMPLETE LOCK SET - LPG (MONOFUEL)	1	
14	B073479	WIPER MOTOR SWITCH/ SWITCH WIPER MOTOR	1	
15	B073815	UPPER COVER DASH BOARD - LH	1	
16	B073816	UPPER COVER DASH BOARD - RH	1	
17	B073812	UTILITY BOX	1	
18	B074261	PHILIPS HD. SCREW	8	
19	B074262	PIN	2	N.I
20	6078	PLAIN WASHER 12 X 5.2 X 1	8	
21	B074275	RUBBER DAMPER	2	
22	B073811	STEERING COLUMN COVER	1	

PLATE-23**Rear Suspension**

Fig. No.	Part No.	Description	Qty	Remarks
1	B002470	RUBBER BUMPER	2	
2	231370	SELF BREAKING NUT M10	2	
3	157103	BUSH - SHOCK ABSORBER	2	
4	107827	SPACER	1	
5	128633	CONE	1	
6	643741	HEX HDD BOLT M10 X 80 CL 12.9	4	
7	157103	BUSH - SHOCK ABSORBER	4	
8	6066	PL WASHER 10.5X38X9	2	
9	16410	SPRING WASHER	2	
10	20110	HEX NUT M10	2	
11	B042226	REAR SHOCK ABSORBER	2	
12	267068	HEX HEAD BOLT M10 X 60 CC 10.9	2	
13	286328	PLAIN WASHER 20X10.2X2	2	
14	B002344	REAR WHEEL HUB	2	
15	B002486	BOLT M8 X 35 6G CL 12.9	8	
16	128486	NEEDLE BEARING REAR WHEEL HUB (ROLLER CAGE)	2	
17	20359	SEAL RING	2	
18	243303R	DEEP GROVE BALL BRG-RR WH AXLE	2	
19	B024374	REAR AXLE COMPLETE (APE CITY)	2	
19a	B001319	BOLT FOR AXLE	4	
20a	661570P	WHEEL RIM INNER	1	
20b	661571P	WHEEL RIM OUTER	1	
21	B001317	TYRE & TUBE ASSEMBLY	4	
22	B001316	INNER TUBE FOR TYRE 4.0 X 8 INCH	4	
23	16410	SPRING WASHER	12	
24	20110	HEX NUT M10	12	
25	15594	HEX HDD BOLT M10 X 35	12	
26	196302	OIL SEAL	2	
27	587617	ELASTIC JOINT CONNECTION HUB (WHL - SIDE)	2	
28	661267	RING	2	
29	109892	PROTECTION CUP RR HUB	2	
30	604535	FLEXIBLE COUPLING	2	
31	6650	CIRCLIP DIA 50 (INT)	2	
32	231370	SELF BREAKING NUT M10	12	
33	B009603	ARM ASSY. LH SUSPENSION WITH SILENT BUSH	1	
33a	B002481	ARM SUB ASSY. RH - REAR SUSPENSION	1	
34	B009605	ARM ASSY. RH SUSPENSION WITH SILENT BUSH	1	
34a	B002482	ARM SUB ASSY. LH - REAR SUSPENSION	1	
35	226662	RING FOR ELASTIC SUPPORT	2	
36	226661	INTERNAL BUSH	2	
37	267065	SPACER FRONT	2	
38	226596	BUSH FRONT RING FOR ELASTIC SUPPORT	2	

PLATE-23
Rear Suspension

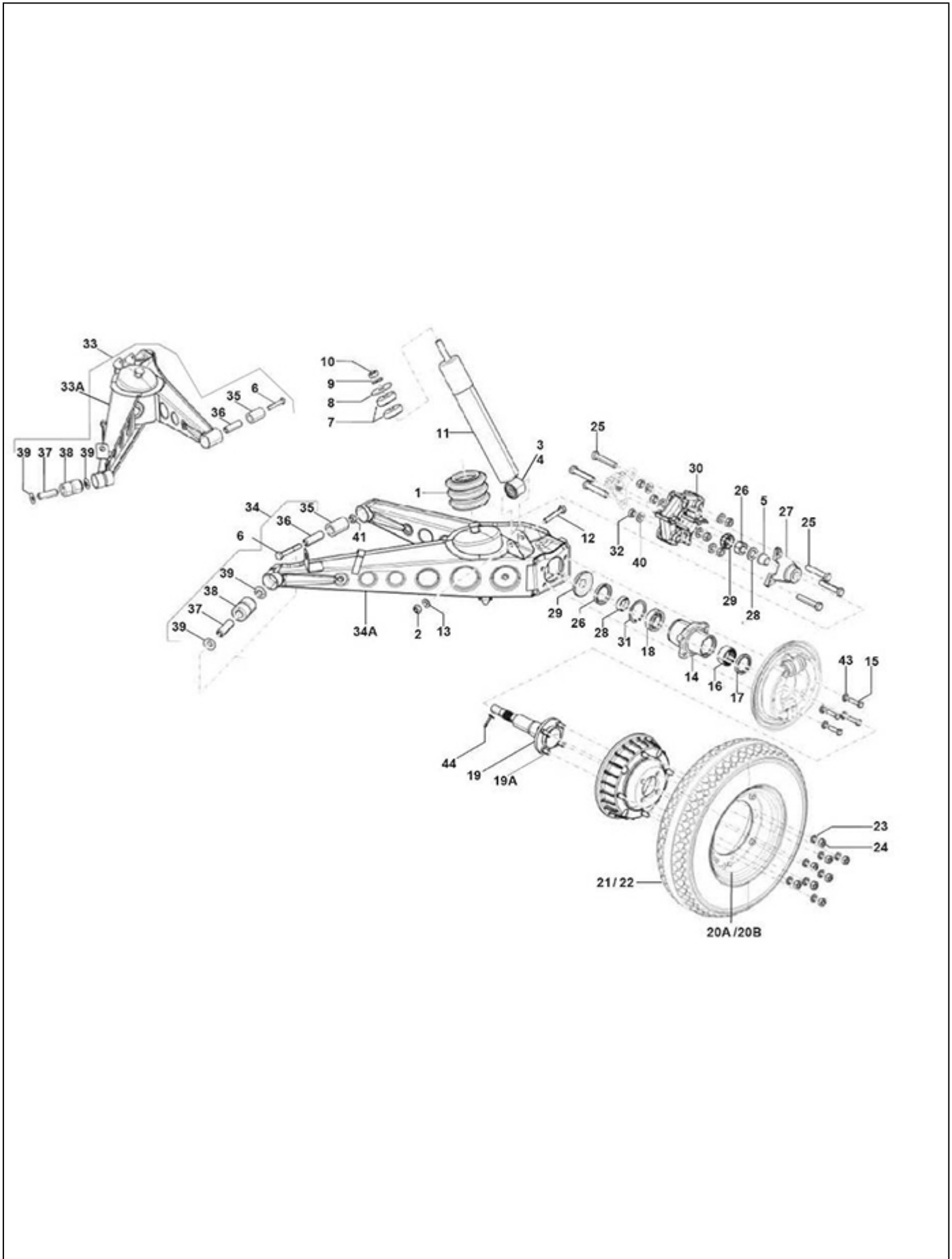


PLATE-23**Rear Suspension**

Fig. No.	Part No.	Description	Qty	Remarks
39	661266	SHOULDER WASHER	4	
40	237246	SHIM WASHER 20X10.2X1	12	
41	231370	SELF BREAKING NUT M10	4	
42	3068	PLAIN WASHER	1	
43	16408	SPRING WASHER M8	8	
44	12790	SPLIT PIN	2	

PLATE-24

Steering Column And Front Suspension

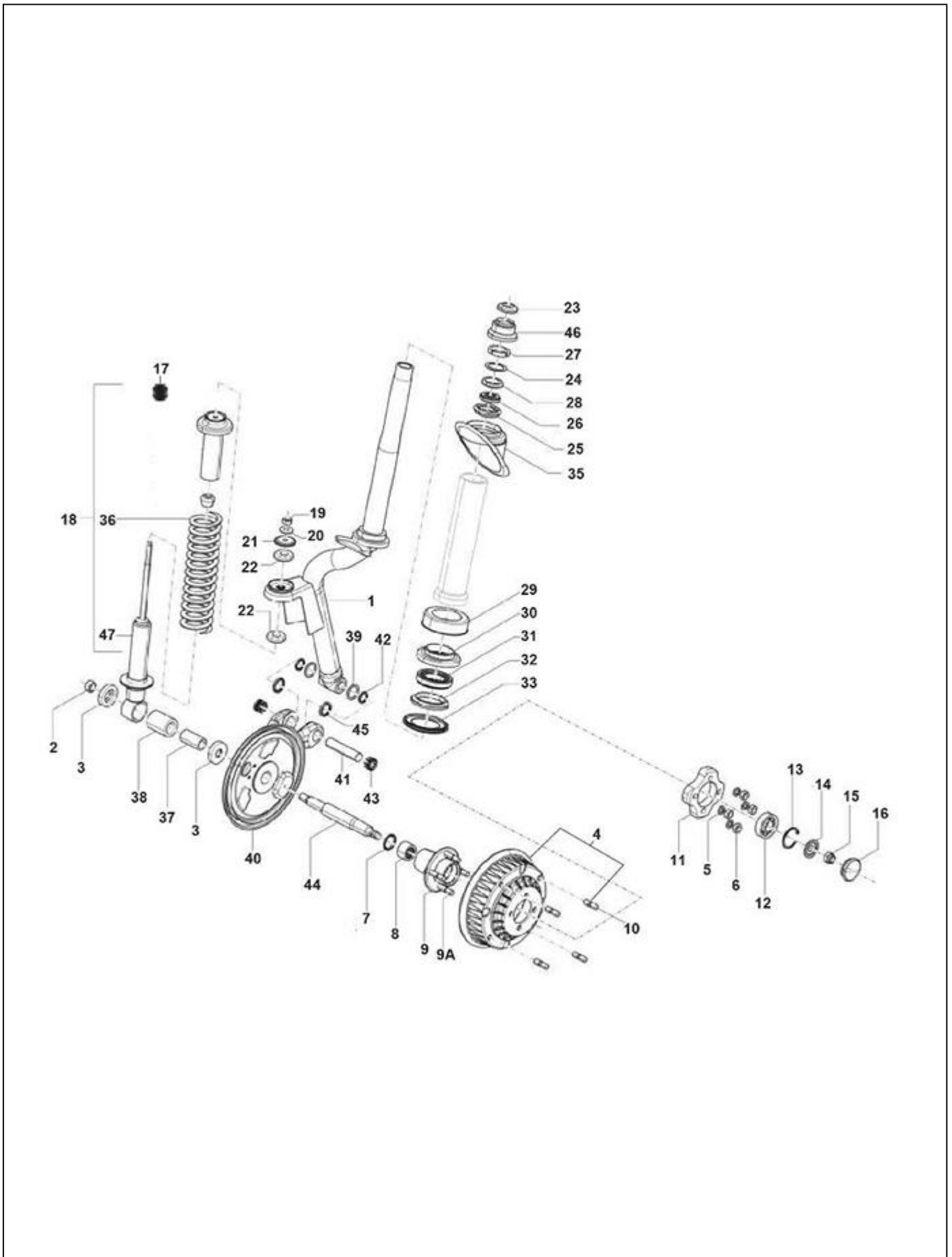


PLATE-24**Steering Column And Front Suspension**

Fig. No.	Part No.	Description	Qty	Remarks
1	B073667	STEERING COLUMN COMP. WITH SUSP. ARM	1	
1	B073462	STEERING COLUMN WITH IP	1	
2	568095	NYLOCK NUT	1	
3	87067	PLAIN WASHER 30.5X14.3X2	1	
4	B042438	BRAKE DRUM ASSY. COMPLETE	1	
5	16410	SPRING WASHER	4	
6	20110	HEX NUT M10	4	
7	196302	OIL SEAL	1	
8	125289	NEEDLE BEARING, CRANKCASE, FRONT WHEEL	1	
9	B001302	FRONT HUB ASSLY.	1	
9A	B001301	BOLT FRONT HUB.	4	
10	B001323	STUD M10 - BRAKE DRUM	4	
11	B041181	SPACER DISC FRONT WHEEL MTG (ALUMIN)	1	
12	30209R	BALL BEARING FRONT WHEEL HUB	1	
13	567473	CIRCLIP DIA. 42 INT. (841004203)	1	
14	180431	COIN WASHER	1	
15	74521	NUT M14 X 1.5	1	
16	107871	CAP	1	
17	75708	SILENT BLOCK	1	
18	B073690	FRONT SHOCK ABSORBER	1	
19	21110	HEX UT M10 X 1.25 P ASSY.	1	
20	16410	SPRING WASHER	10	
21	6066	PL WASHER 10.5X38X9	1	
22	74414	RUBBER BUSH/BUFFER FOR COUPLING SHOCK ABSORBE	2	
23	604758	PROTECTION	1	
24	108873	STOP WASHER FOR HOLDING	1	
25	567990	BEARING RACE UPPER BOTTOM	1	
26	567991	BEARING RACE UPPER TOP	1	
27	108874	SECURING RING NUT	1	
28	662423	SOLID OIL BALL CAGE (UPPER) 7105	1	
29	109064	DUST COVER	1	
30	567992	BEARING RACE LOWER TOP	1	
31	662422	SOLID OIL BALL CAGE (LOWER) 7104	1	
32	567993	BEARING RACE LOWER BOTTOM	1	
33	109066	WASHER WITH PROTECTION FOR BEARING	1	
34	604759	RUBBER CAP STEERING COLUMN (N.I.)	4	
35	109265	SPLASH GUARD DUST COVER	1	
36	940066	SPRING SHOCK ABSORBER-UG / RING	1	
37	109117	RUBBER BUSH (FRT SHOCK ABSORBER) / RING	1	
38	566545	RUBBER BUSH (FRT SHOCK ABSORBER) - MODIFIED	1	
39	6733	O RING	2	
40	B024113	FRONT BRAKE ASSY.	1	

PLATE-24

Steering Column And Front Suspension

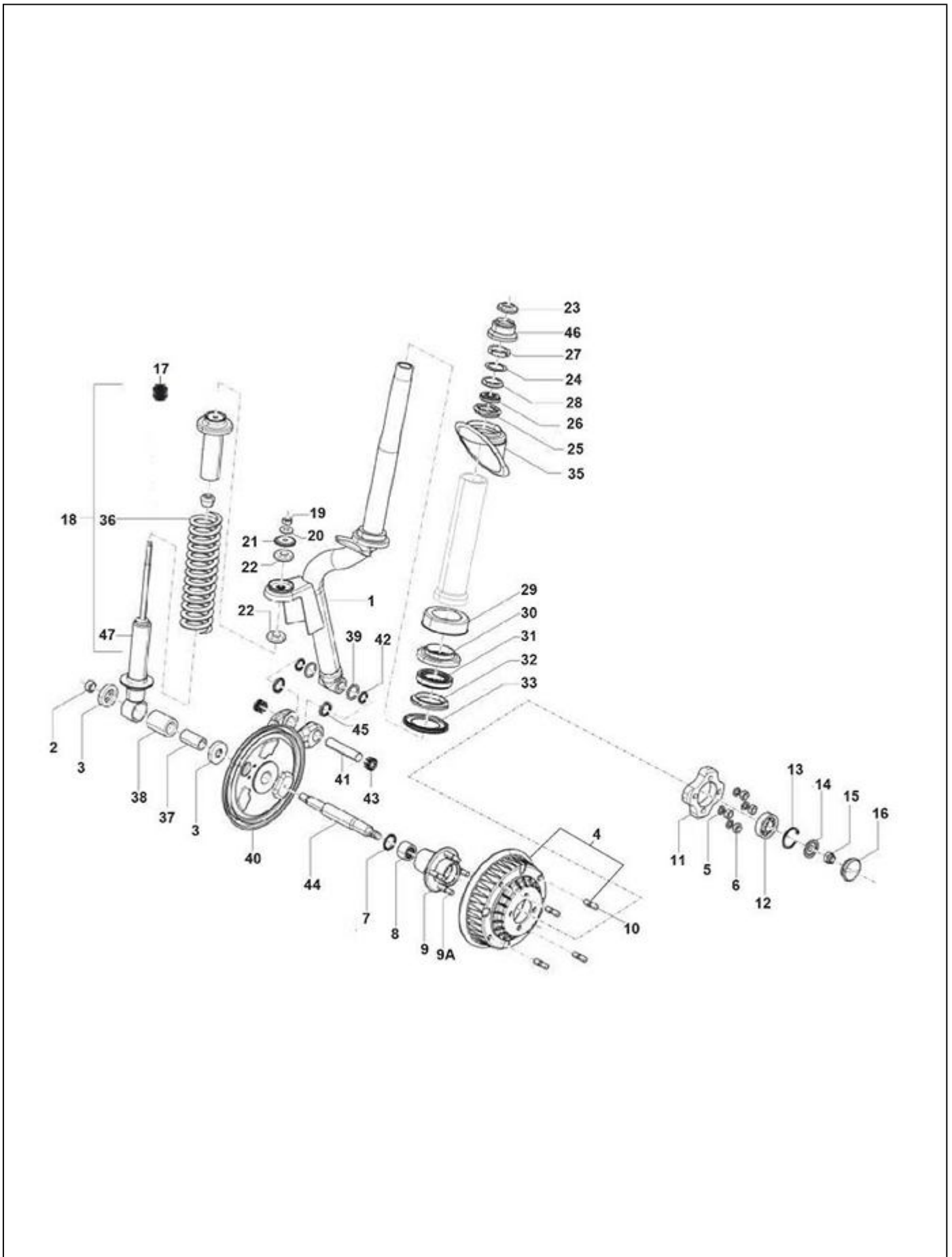


PLATE-24**Steering Column And Front Suspension**

Fig. No.	Part No.	Description	Qty	Remarks
41	137235	STEERING PIN	1	
42	8771	OIL SEAL (18-24-4)	2	
43	107718	ROLLER BUSH	2	
44	643772R	FRONT WHEEL AXLE	1	
45	150579	RING FOR HOLDING TYPE J F101 17A	2	
46	60758	GUARD	1	
47	940065	SHOCK ABSORBER W/O SPRING	1	

PLATE-25

Handle Bar And Control

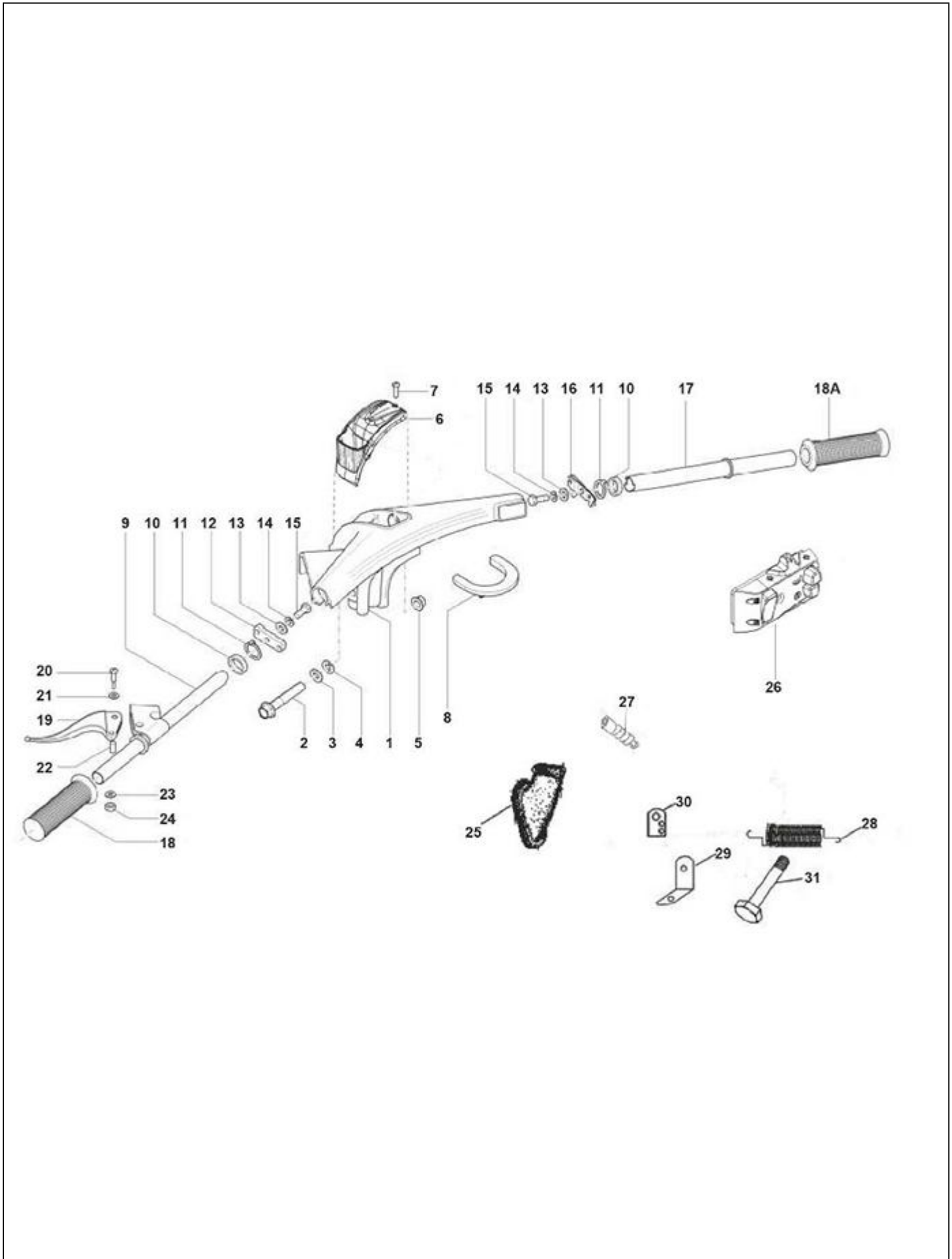


PLATE-25**Handle Bar And Control**

Fig. No.	Part No.	Description	Qty	Remarks
1	B002823	HANDLE ('T' TYPE)	1	
2	30103	HANDLE SECURING BOLT M10 X 70 CL 8.8	1	
3	16626	PLAIN WASHER (18X10.5X2)	2	
4	16410	SPRING WASHER	1	
5	21110	HEX UT M10 X 1.25 P ASSY.	1	
6	B073817	COVER	1	
7	632158	CSK HEAD SCREW	1	
8	126902	PROTECTION COLLAR CABLE	1	
9	B024579	CHANGE CENTRAL TUBE WITH I.P.	1	
10	109404	WASHER OF RABBET(41737)	1	
11	60565	SPRING WASHER	1	
12	109775	GEAR CONTROL LEVER S/A	1	
13	3055	RAW WASHER(808000527)	2	
14	16406	SPRING WASHER	2	
15	31089	HEX HEAD SCREW M6X18 CL 8.8	2	
16	109635	THROTTLE CONTROL LEVER WITH IP	1	
17	587902	ACCELERATOR TUBE ASSY.	1	
18	B073848	HANDLE BAR GRIP - LH	2	
18 A	B073849	HANDLE BAR GRIP - RH	1	
19	B024581	CLUTCH CENTRAL LEVER	1	
20	15618	SLT PAN HD SCREW	1	
21	16319	BENT SPRING WASHER	1	
22	125181	SPACER	1	
23	16620	PLAIN WASHER	1	
24	12138	NYLOCK NUT M6	1	
25	109227	PROTECTION GROMMET	1	
26	B073850	HANDLE BAR SWITCH	1	
27	118806	PROTECTION BELLOW	2	
28	B073800	TORSIONAL SPRING	1	
29	B074498	BRACKET	1	
30	B074040	PLATE SPRING MTG. HANDLE BAR	1	
31	30104	MOUNTING BOLT M10 X 75	1	

PLATE-26

Brake - Tandem Master Cylinder ,Brake Pipe And Hand Brakes

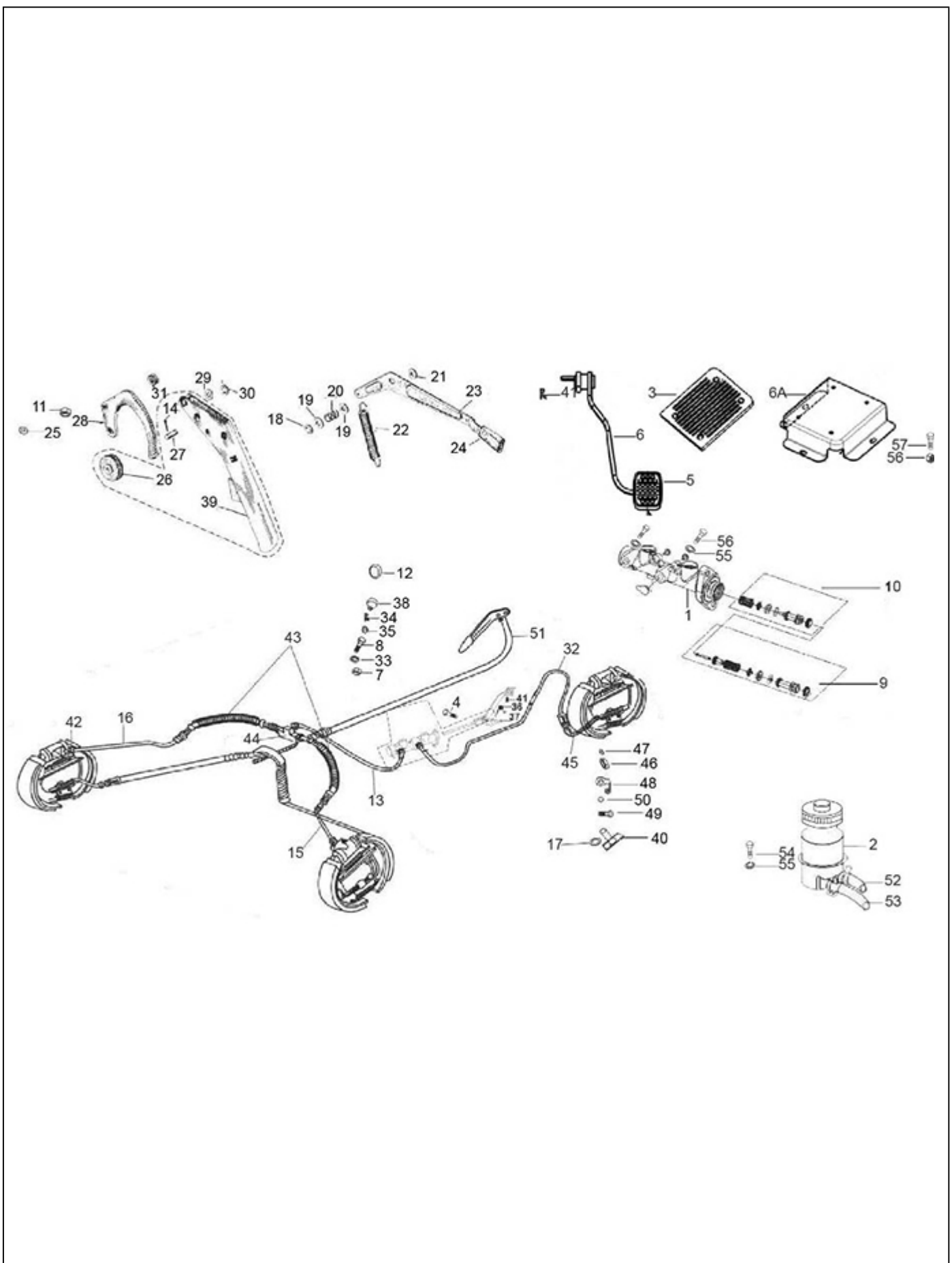


PLATE-26**Brake - Tandem Master Cylinder ,Brake Pipe And Hand Brakes**

Fig. No.	Part No.	Description	Qty	Remarks
1	B073789	TMC ASSY.	1	
2	B073788	BRAKE OIL TANK	1	
3	B074024	RUBBER MAT FOR FOOT REST	1	
4	107038	PIN FOR LEVER	1	
5	567461	RUBBER PROTECTION FOR PEDAL	1	
6	B073497	BRAKE PEDAL WITH FOOT REST ASSLY	2	
6A	B073538	FOOT REST	1	
7	20108	HEX NUT M8	2	
8	31122	HEX HD. SCREW M8X30 CL 8.8	2	
9	940067	MAJOR KIT TMC (UG)	1	
10	940068	MINOR KIT TMC (UG)	1	
11	20106	HEX NUT M6	2	
12	604502	CUP RETAINING SPRING (41733)	2	
13	B074313	BUNDY TUBE FOR REAR WHEEL	1	
14	567920	SPLIT PIN	3	
15	B041161	BRAKE-PUMP TUBE OF LEFT REAR WHEEL	1	
16	B041160	BRAKE-PUMP TUBE OF RIGHT REAR WHEEL	1	
17	3055	RAW WASHER(808000527)	1	
18	5969	CIRCLIP DIA 9 E TYPE	1	
19	6173	METALLIC PLAIN WASHER (808001026)	2	
20	108785	SPRING	1	
21	108788	SPACER	1	
22	567690	REVERSE GEAR COUPLING SPRING	1	
23	125411	BACKING COMMAND LEVER	1	
24	604717	KNOB FOR R.C.	1	
25	16406	SPRING WASHER	2	
26	567898	PULLEY FOR HAND BRAKE	1	
27	567899	CLEVIS PIN	1	
28	567897	RATCHET , HAND BRAKE CONTROL	1	
29	16408	SPRING WASHER M8	1	
30	6411	EXT CIRCLIP DIA 11	1	
31	20108	HEX NUT M8	1	
32	B074311	BUNDY TUBE BETWEEN TMC & FRT WHEEL	1	
33	16408	SPRING WASHER M8	2	
34	567920	SPLIT PIN	1	
35	3058	PLAIN WASHER 15X8.4X1.5	1	
36	B073800	FOOT BRAKE PEDAL SPRING	1	
37	229524	WASHER 21X14.3X2	1	
38	138237	CAP	1	
39	567746	HAND BRAKE CONTROL ASSLY	1	
40	119278	TERMINAL	1	
41	568737	SPLIT PIN 4 X 25 (821 0425 2 2)	2	

PLATE-26

Brake - Tandem Master Cylinder ,Brake Pipe And Hand Brakes

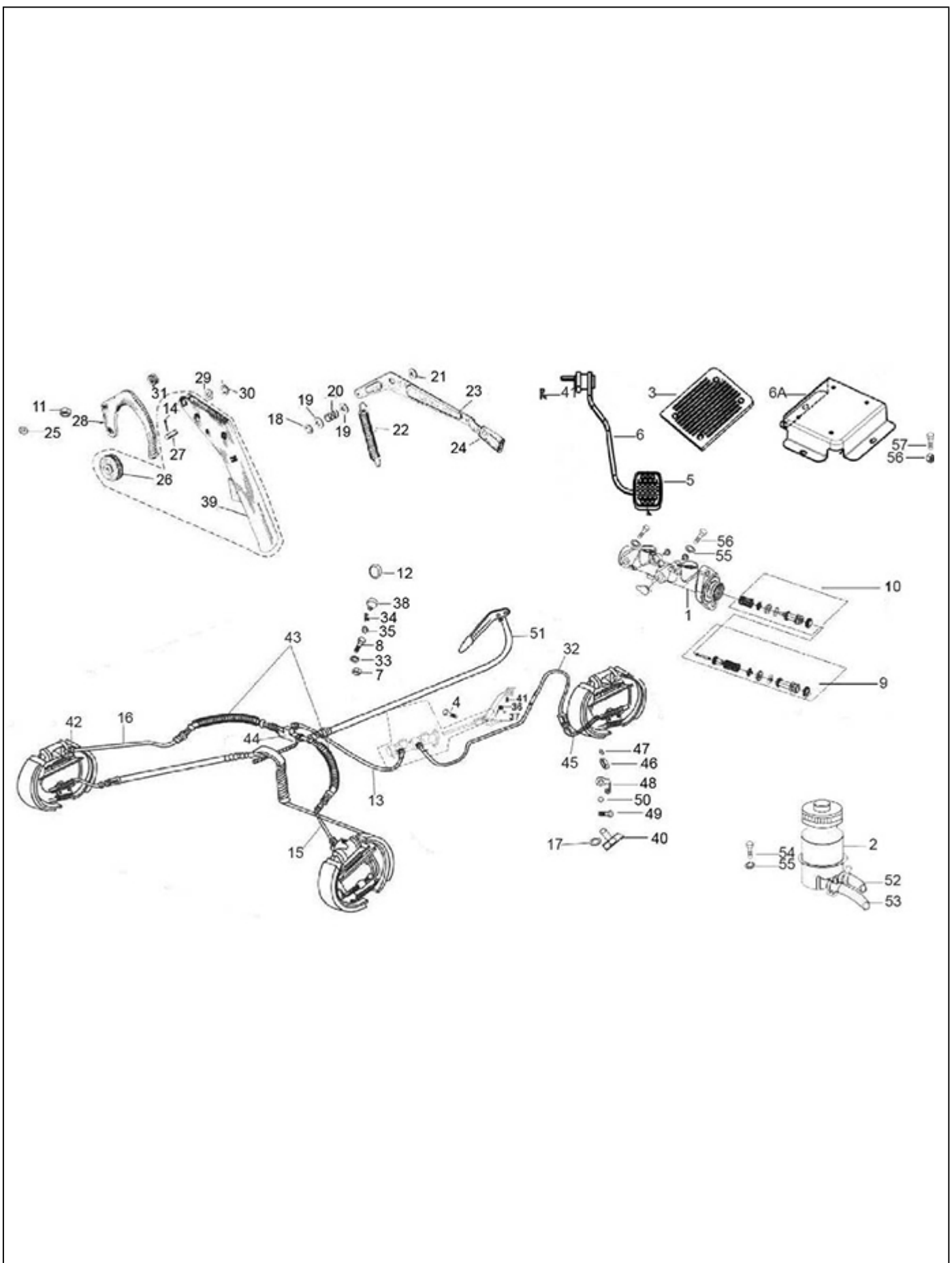


PLATE-26**Brake - Tandem Master Cylinder ,Brake Pipe And Hand Brakes**

Fig. No.	Part No.	Description	Qty	Remarks
42	136916	PLATE FOR RETAINING THE BRAKE FLEX. PIPE	3	
43	644814	FLEXIBLE PIPING FOR REAR WHEEL BRAKE	2	
44	643692	THREE WAY UNION	1	
45	B001581	BRAKE HOSE FR, FLEXIBLE PIPE	1	
46	21216	HEX NUT M16 X 1.5	1	
47	48197	PL WASHER 24X16X1.5	13	
48	B003228	LOCK PLATE FRONT BRAKE HOSE	1	
49	587829	BENJO BOLT	1	
50	612455	COPPER WASHER M10	1	
51	B041774	PARKING BRAKE CABLE ASSY	1	
51	B002338	PARKING BRAKE TRANSMISSION SUB ASSY.	1	
52	B073790	TUBE BRAKE OIL TANK TO TMC	1	
53	B073791	TUBE BRAKE OIL TANK TO TMC	1	
54	B073786	HEX BOLT	2	
55	13880	METALIC PLAIN WASHER	4	
56	20104	HEX NUT M4	4	
57	31088	HEX HD SCREW M6 X 16 CL 8.8 (811061623)	4	

PLATE-27
Electrical Devices

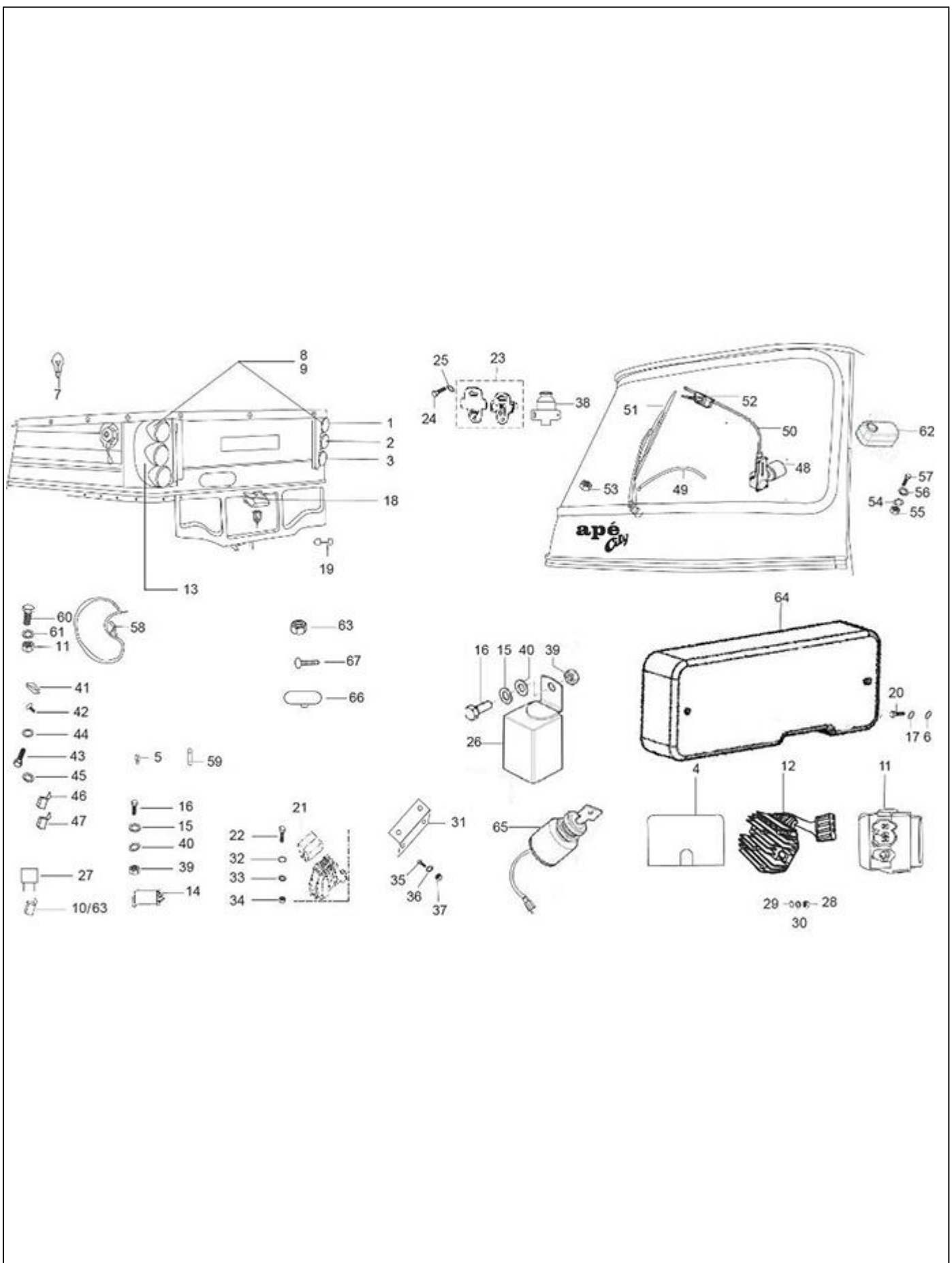


PLATE-27**Electrical Devices**

Fig. No.	Part No.	Description	Qty	Remarks
1	932290	TAIL LAMP LENS (TURN SIGNAL PAXX 200)	2	
2	932291	TAIL LAMP LENS (STOP/TAIL PAXX 200)	2	
3	932292	TAIL LAMP LENS REVERSE (PAXX 200)	2	
4	B024056	COVER CDI	1	
5	604557	FUSE (10A)	6	
6	3055	RAW WASHER(808000527)	1	
7	71633	STOP AND PARKING BULB 12V 10/5 W	2	
8	B024643	TAIL LAMP ASSY. LH	1	
9	B024642	TAIL LAMP ASSY. RH	1	
10	587671R	4 ST RELAY SOLENOID	1	
11	680165	CONTROL DEVICE IGNITION (CDI) CNG	1	
11	643140	CONTROL DEVICE IGNITION (CDI) PETROL	1	
11	1D001591	CONTROL DEVICE IGNITION (CDI) LPG-ORANGE COLOUR	1	
12	1D000671R	VOLTAGE REGULATOR	1	
13	B024641	REAR LAMPS SUPPORT PAX 200 (GREY)	2	
14	B023727R	ELECTRONIC FLASHER	1	
15	12546	PLAIN WASHER / MULTI TOOTH LOCK WASHER M5	1	
16	31057	HEX HEAD SCREW M5 X 14 CL 8.8	1	
17	568721	SPRING WASHER M4	2	
18	150915R	REGISTRATION PLATE LAMP ASSY	1	
19	71633	STOP AND PARKING BULB 12V 10/5 W	1	
20	8451	PAN SELF TP SCREW 6 SGX13 AB	2	
21	929910	FUSE BOX WITH FUSE	1	
22	31058	HEX HEAD SCREW M5 X 16 CC8.8	2	
23	567498R	BRAKE/REVERSE LIGHT SW (INTEGRAL CAP)-PAV	2	
24	15996	PHIL RD HD SCREW M4X12	2	
25	3054	PLAIN WASHER	2	
26	B024686	STARTOR SAFTEY RELAY	1	
27	567706	FUSE 30 A	1	
28	12136	NUT / NYLOCK NUT M5	2	
29	6078	PLAIN WASHER 12 X 5.2 X 1	2	
30	16405	SPRING WASHER M5	2	
31	660109	FUSE BOX BKT	1	
32	3055	RAW WASHER(808000527)	2	
32	6078	PLAIN WASHER 12 X 5.2 X 1	2	
33	6965	SPRING WASHER	2	
34	20105	HEX NUT M5	2	
35	31058	HEX HEAD SCREW M5 X 16 CC8.8	22	
36	6965	SPRING WASHER	2	
37	20105	HEX NUT M5	2	
38	567747	STOP (BRAKE) SWITCH PROTECTION/PACKING BOOT	21	
39	20105	HEX NUT M5	1	

PLATE-27
Electrical Devices

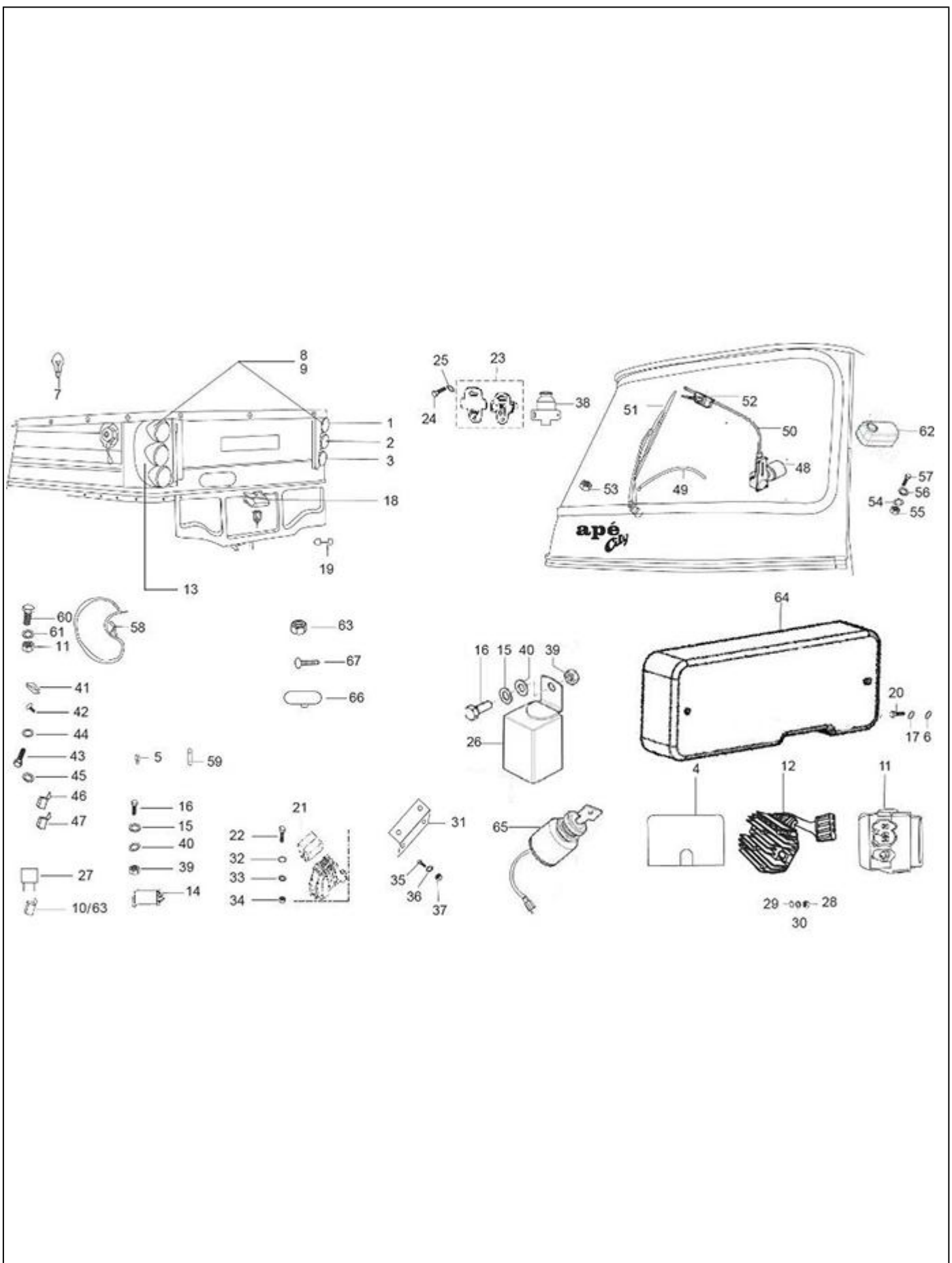


PLATE-27**Electrical Devices**

Fig. No.	Part No.	Description	Qty	Remarks
40	3055	RAW WASHER(808000527)	1	
41	568103	MTG BKT ONE WAY FUSE - HOLDER	1	
42	568692	PAN SELF TAP SCREW 6SG X 16AB	1	
43	31088	HEX HD SCREW M6 X 16 CL 8.8 (811061623)	1	
44	3056	PLAIN WASHER	1	
45	16406	SPRING WASHER	1	
46	680166	SAFETY STARTER RELAY	1	
47	B003727	RELAY 12V-NC - CNG 587671R	1	
48	B073685	WIPER MOTOR ASSY. WITH MTG. BKT.	1	
49	604506	BUNDY TUBE OUTER	1	
50	632285	BUNDY TUBE (MOTOR TO WHEEL BOX)	1	
51	B073600	WIPER ARM & BLADE ASSY	1	
52	569197	WHEEL BOX ASSY. (MOD.)	1	
53	569165	DOME NUT	1	
54	16406	SPRING WASHER	1	
55	20106	HEX NUT M6	6	
56	3056	PLAIN WASHER	6	
57	31088	HEX HD SCREW M6 X 16 CL 8.8 (811061623)	6	
58	B024948R	BAT + VE _BC SW -4ST REL(CITY 200 C/L)	1	
59	925786	ECU - FUSE (2A) (N.I)	1	
60	31088	HEX HD SCREW M6 X 16 CL 8.8 (811061623)	2	
61	16406	SPRING WASHER	2	
62	B073715	CABIN LAMP	1	
63	20106	HEX NUT M6	2	
64	B073492	PLASTIC COVER-ELECTRICAL CLUSTER	1	
65	B024532	KEY IGNITION SWITCH W/COUPLER (PAVNA)	1	
66	567573R	ENGINE COMPARTMENT LAMP ASSY. W/O BULB	1	
67	B074539	PHILIPS COUNTER HEAD SCREW	2	

PLATE-28
Front Fascia

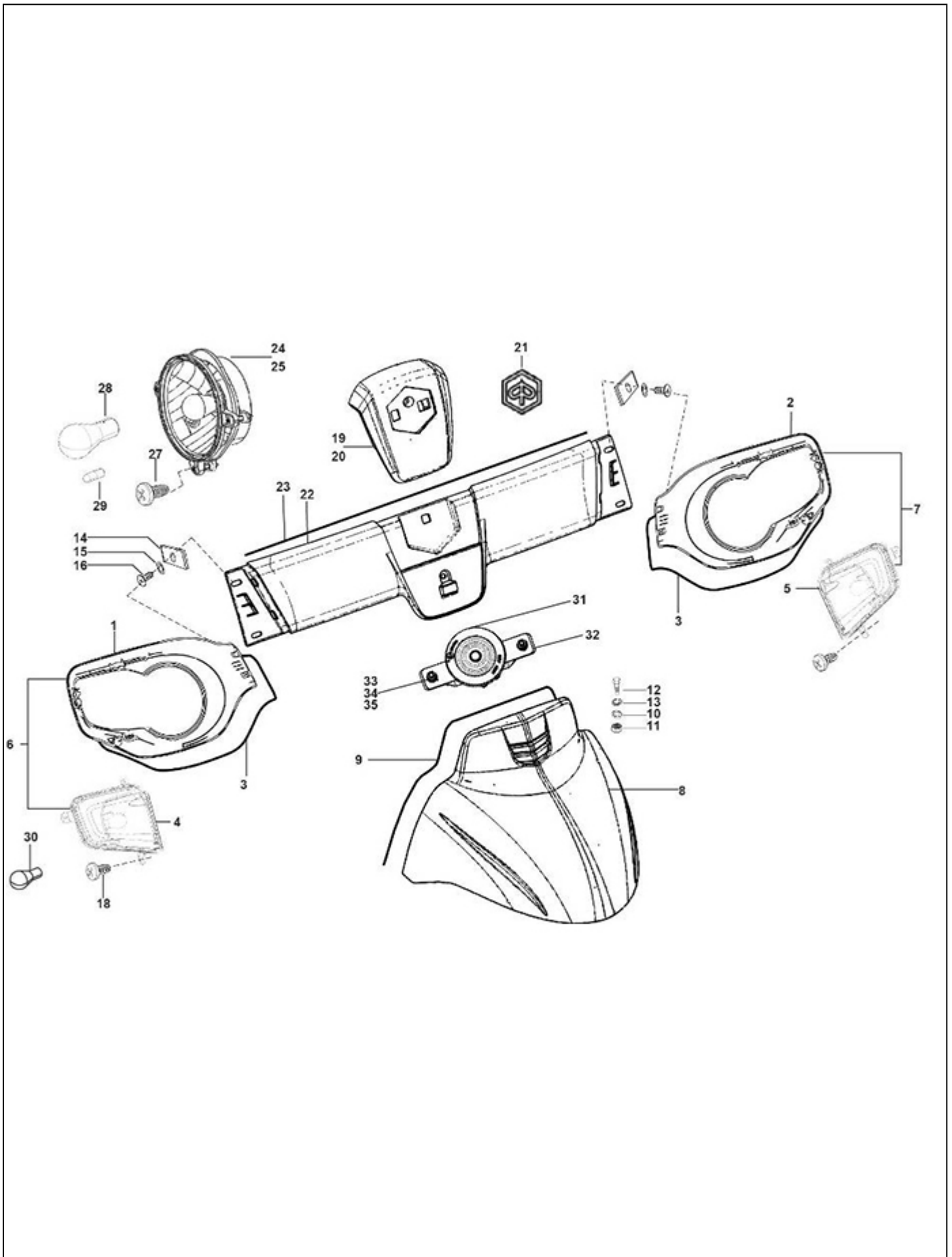


PLATE-28**Front Fascia**

Fig. No.	Part No.	Description	Qty	Remarks
1	B074433	BEZEL_HEADLAMP BLINKER (LH)	1	
2	B074434	BEZEL_HEADLAMP BLINKER (RH)	1	
3	B073969	HL BEZEL BEADING	2	
4	B074170	SIDE BLINKER S/A LH	1	
5	B074171	SIDE BLINKER S/A RH	1	
6	B074437	H/L BEZEL & BLINKER S/A LH	1	
7	B074438	H/L BEZEL & BLINKER S/A RH	1	
8	B073882	FRONT MUDGUARD - NOT PAINTED	1	
8	B073882WR	FRONT MUDGUARD - PAINTED-WR	1	
8	B073882BW	FRONT MUDGUARD - PAINTED-BW	1	
8	B073882GY	FRONT MUDGUARD - PAINTED - GY	1	
8	B073882CB	FRONT MUDGUARD - PAINTED - EG	1	
8	B073882EG	FRONT MUDGUARD - PAINTED - EG	1	
8	B073882BL	FRONT MUDGUARD - PAINTED - BL	1	
9	B074063	GASKET FOR FRONT MUDGUARD	1	
10	13880	METALIC PLAIN WASHER	8	
11	20106	HEX NUT M6	4	
12	31089	HEX HEAD SCREW M6X18 CL 8.8	4	
13	78307	BENT SPRING WASHER M6	4	
14	8080	SPRING PLATE	4	
15	3055	RAW WASHER(808000527)	10	
16	660168	PAN SELF TP. SCREW 10 SGX13AB	5	
17	157716	SCREW ANCHORE	8	
18	B074539	PHILIPS COUNTER HEAD SCREW	4	
19	B073875	LOGO SUPPORT - NOT PAINTED	1	
20	B073875SL	LOGO SUPPORT - PAINTED	1	
21	B073874	HEXAGONAL EMBLEM	1	
22	B073852	CENTRAL FACIA	1	
23	B073970	CENTRAL FACIA BEADING UPPER	1	
24	B073643	HEADLAMP ASSY LH	1	
25	B073642	HEADLAMP ASSY RH	1	
26	658810	SPRING FIXING ON RIM HEAD LIGHT	2	
27	15900	HEAD LAMP SECURING SCREW/PAN SELF TAP SCREW	6	
28	219528	BULB 12V 35/35W	2	
29	567593	BULB 12V 5W / LAMP 4W	2	
30	925581	INDICATOR LIGHT BULB 12V 21W AMBER COLOUR	2	
31	B074033	HORN ASSLY(DIA 70)	1	
32	B073953	HORN MTG. BKT S/A	1	
33	16406	SPRING WASHER	4	
34	3056	PLAIN WASHER	4	
35	20106	HEX NUT M6	4	

PLATE-29

Passenger Auto Riksha Body

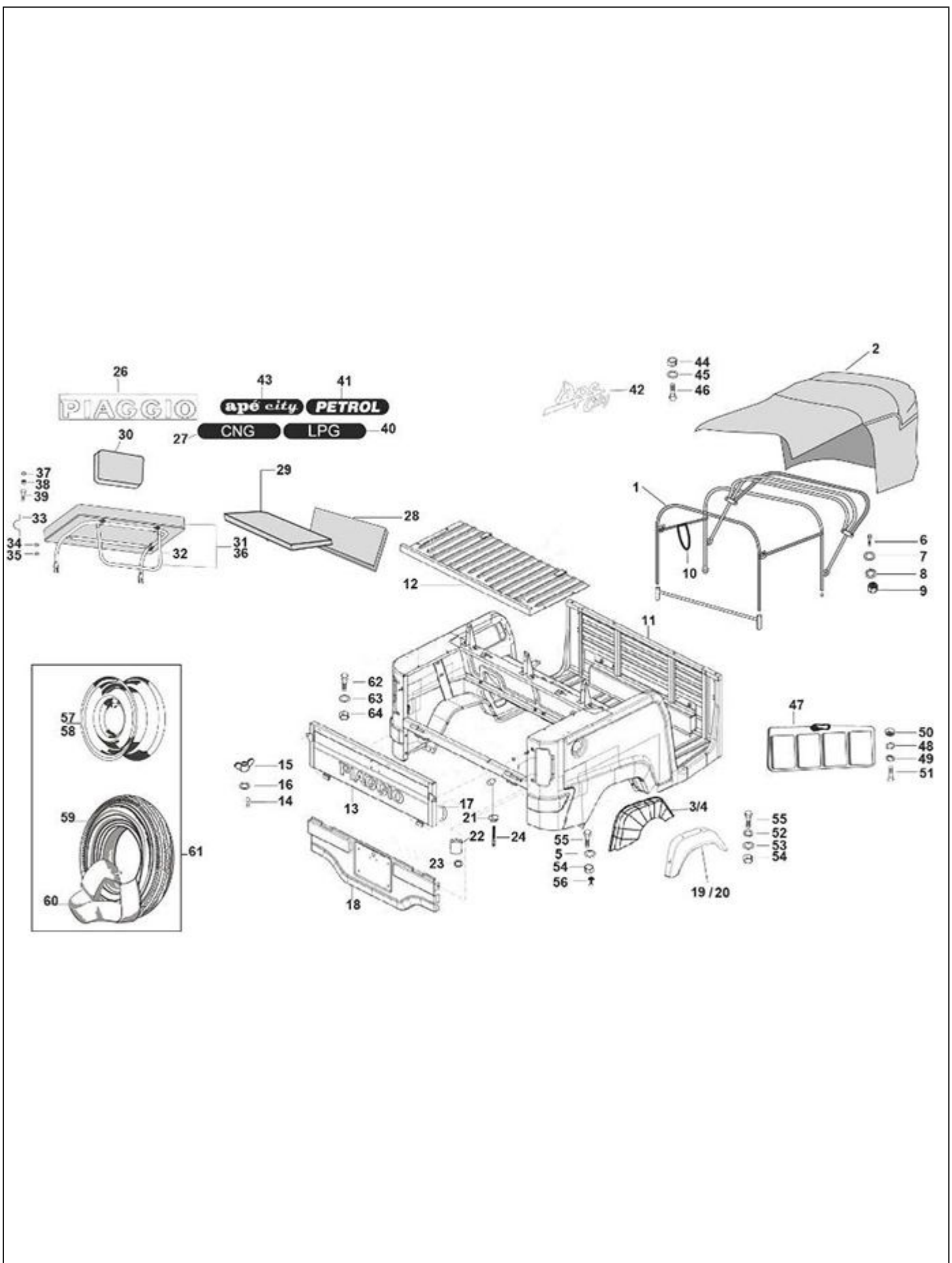


PLATE-29**Passenger Auto Riksha Body**

Fig. No.	Part No.	Description	Qty	Remarks
1	B073477	HOOD FRAME ASSY.	1	
2	B074640R	SOFT TOP ASSY ? PETROL	1	
3	B041397	COVER INNER MUDGAURD RH	1	
4	B041398	COVER INNER MUDGAURD LH	1	
5	3055	RAW WASHER(808000527)	4	
6	31088	HEX HD SCREW M6 X 16 CL 8.8 (811061623)	22	
7	3056	PLAIN WASHER	22	
8	16406	SPRING WASHER	22	
9	63205	HEX NUT M6	22	
10	B073598	HANDLE CANOPY STRAP	1	
11	B074196EG	PASSENGER BODY ASSLY. GAS UPGRADE?EG	1	
11	B074196GY	PASSENGER BODY ASSLY. GAS UPGRADE?GY	1	
11	B074196BY	PASSENGER BODY ASSLY. GAS UPGRADE?BY	1	
11	B074182BY	PASSENGER BODY ASSLY. PET/DSL UPGRADE?BY	1	
11	B074182CB	PASSENGER BODY ASSLY. PET/DSL UPGRADE?CB	1	
11	B074182EG	PASSENGER BODY ASSLY. PET/DSL UPGRADE?EG	1	
11	B074182GY	PASSENGER BODY ASSLY. PET/DSL UPGRADE?GY	1	
11	B074182BW	PASSENGER BODY ASSLY. PET/DSL UPGRADE?BW	1	
12	B001635	ENGINE COMP. DOOR ASSY. (DIESEL)	1	
12	B002210	ENGINE COMP. DOOR ASSY. (CNG/LPG)	1	
13	B024402ED	TAIL GATE ASSY.	1	
14	12778	SPLIT PIN 3 X 20	1	
15	B006593	WING NUT M6	2	
16	3058	PLAIN WASHER 15X8.4X1.5	4	
17	B003030	COVER TAIL LAMP GAP	2	
18	B025672	REAR VISUAL BARRIER ASSY.	1	
19	B073853	RR MUDGUARD RH	1	
20	B073852	CENTRAL FACIA	1	
21	B001423	KNOB REAR DOOR	2	
22	B003654	RUBBER BUSH ENGINE DOO	2	
23	16670	PLAIN WASHER 12X4.5X1	2	
24	B001402	SCREW FOR DOOR KNOB	2	
25	B003422	SPLIT PIN 2.5 X 25	2	
26	662137	PIAGGIO TAIL GATE (SUYASH) STK. FOR D	1	
27	B003658	PLATE CNG	1	
28	B024512	PASSENGER BACKREST	1	
29	B024516	PASS DRIVER SEAT ASSY (CNG/LPG)	1	
30	B074594	DRIVER BACK REST ASSY	1	
31	B074505	DRIVER SEAT ASSY COMPLETE	1	
32	B041289	DRIVER SEAT PIPE ASSY	1	
33	B001273	C CLAMP	3	
34	16408	SPRING WASHER M8	6	

PLATE-29**Passenger Auto Riksha Body**

Fig. No.	Part No.	Description	Qty	Remarks
35	3058	PLAIN WASHER 15X8.4X1.5	6	
36	B024496	DRIVER SEAT SUB. ASSY	1	
37	2383	PLAIN WASHER M20X8.5X2	4	
38	20108	HEX NUT M8	2	
39	31119	HEX HD SCREW M8 X 25	2	
40	B003657	PLATE LPG	1	
41	B003652	PLATE PETROL	1	
42	B074893	APE CITY STICKER	1	
43	B003358	PLATE APECITY - STICKER	1	
44	20108	HEX NUT M8	2	
45	116831	PLAIN METALLIC WASHER (826000828)	4	
46	30072	HEX HEAD BOLT M8 X 35	2	
47	B041054	MUD FLAP FRONT	1	
48	13880	METALIC PLAIN WASHER	4	
49	16406	SPRING WASHER	4	
50	20106	HEX NUT M6	4	
51	31088	HEX HD SCREW M6 X 16 CL 8.8 (811061623)	4	
52	13880	METALIC PLAIN WASHER	8	
53	16405	SPRING WASHER M5	8	
54	20106	HEX NUT M6	8	
55	31088	HEX HD SCREW M6 X 16 CL 8.8 (811061623)	5	
56	604603	RIVET	5	N.I
57	661570P	WHEEL RIM INNER	1	
58	661571P	WHEEL RIM OUTER	1	
59	B001315	TYRE (4.0 X 8,4 PR)	1	
60	B001315	TYRE (4.0 X 8,4 PR)	1	
61	B001316	INNER TUBE FOR TYRE 4.0 X 8 INCH	1	
62	3119	SCREW	2	
63	3058	PLAIN WASHER 15X8.4X1.5	2	
64	20108	HEX NUT M8	2	

PLATE-30
Wiring Harness

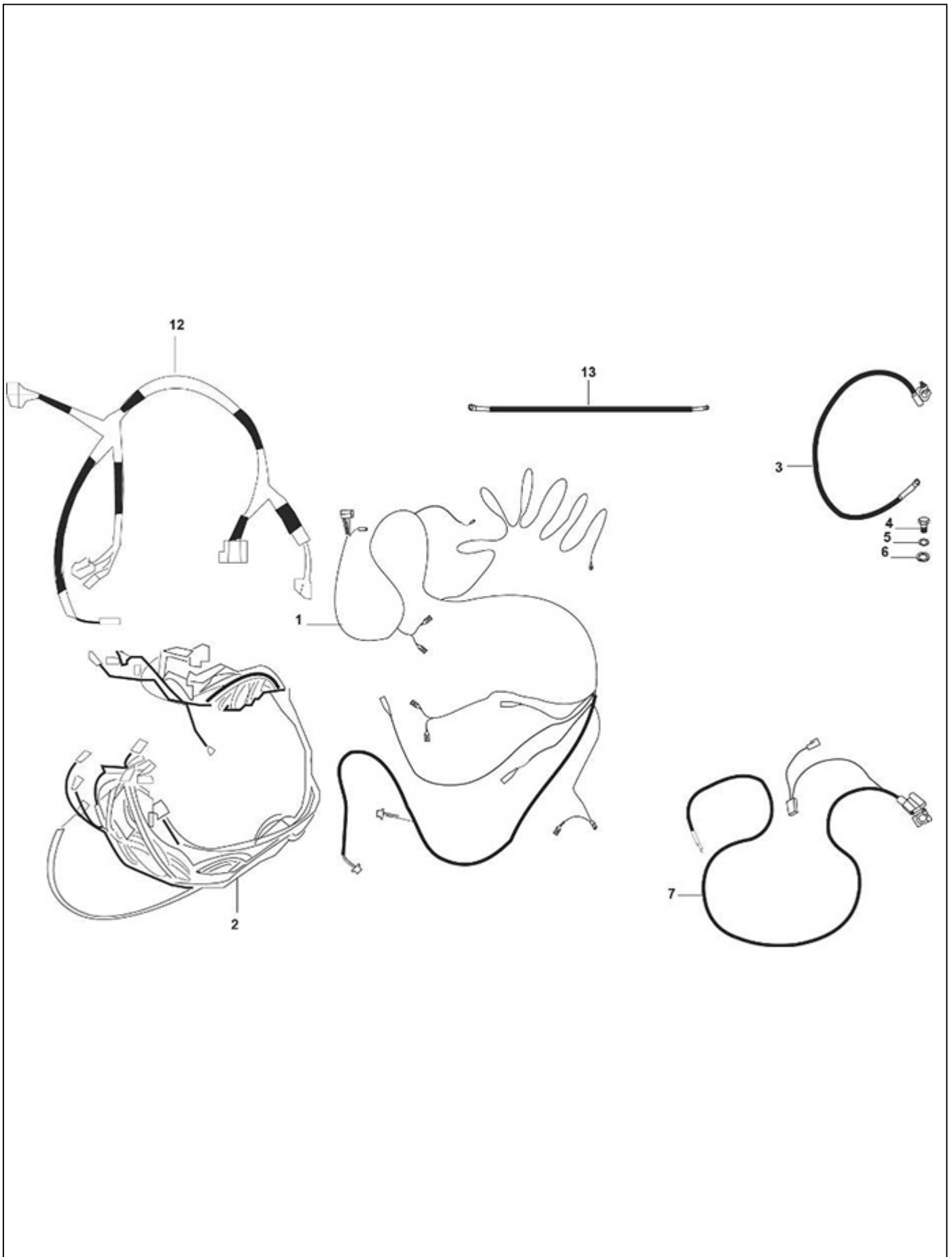


PLATE-30**Wiring Harness**

Fig. No.	Part No.	Description	Qty	Remarks
1	B073778	WIRING HARNESS-MAIN (PET.)	1	
1	B073617	W/HS MAIN CNG	1	
1	B073854	W/HS MAIN LPG	1	
1	B073977	W/HS MAIN DLS	1	
2	B073978	WIRING HARNESS INSTRUMENT PANEL- PETROL	1	
2	B073979	WIRING HARNESS INSTRUMENT PANEL (CNG/LPG)	1	
2	B073980	WIRING HARNESS INSTRUMENT PANEL (DLS)	1	
3	B042063	BATTERY CABLE NEGATIVE	1	
4	31088	HEX HD SCREW M6 X 16 CL 8.8 (811061623)	1	
5	3056	PLAIN WASHER	1	
6	16406	SPRING WASHER	1	
7	B002183	BATTERY +VE CABLE-CUT STARTER MOTOR (LPG/CNG)	1	
7	B024949R	BATTERY CABLE POSITIVE NO.1(APE PAX200 PETROL)	1	
8	B003110R	PIG TAIL FUEL TANK	1	N.I
9	B073320R	PIG TAIL- CABIN LAMP (NEW)-PASSENGER NI	1	N.I
10	B024271	LPG KIT HARNESS (VANAZ APE CITY SM) - (N.I.)	1	N.I
11	B024270	WIRE HARNESS VANAZ APE CITY - (N.I.)	1	N.I
12	B073618	ENGINE WIRING HARNESS (PET CNG&LPG)	1	
13	680217	EARTHING CABLE	1	
14	B075108	ADAPTOR PIGTAIL -ACCESSORIES(3WH)	1	N.I

PLATE-31
Front Brake Assembly

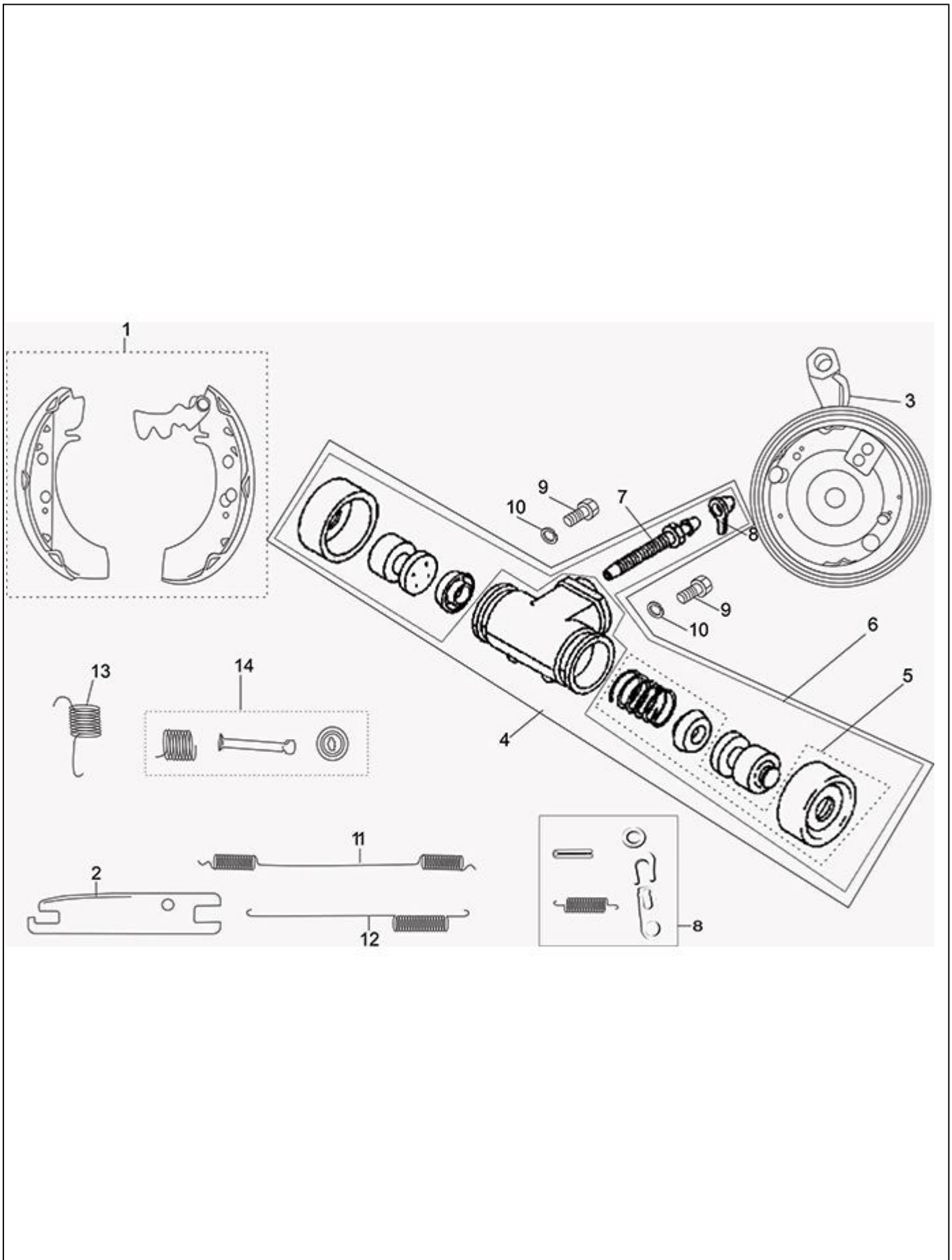


PLATE-31**Front Brake Assembly**

Fig. No.	Part No.	Description	Qty	Remarks
1	KIT95033	FRONT BRAKE LINERS KIT	1	
2	B003008	STRUT FRONT	1	
3	B001397	FRONT BACK PLATE	1	
4	B003017	WHEEL CYLINDER ASSY.	1	
5	B003325	MINOR KIT WHEEL CYLINDER	1	
6	B003324	MAJOR KIT WHEEL CYLINDER	1	
7	B003300	BLEEDER SCREW	1	
8	B006509	CLIP & PIN KIT	1	
9	63440	BOLT M6X12	2	
10	12536	SPRING WASHER	2	
11	B003004	SHOE RETURN SPRING (UPPER)	1	
12	B003003	SHOE RETURN SPRING (LOWER)	1	
13	B003002	STRUT SPRING	1	
14	KIT95036	SHOE HOLD DOWN KIT	1	

PLATE-32
Rear Brake Assembly

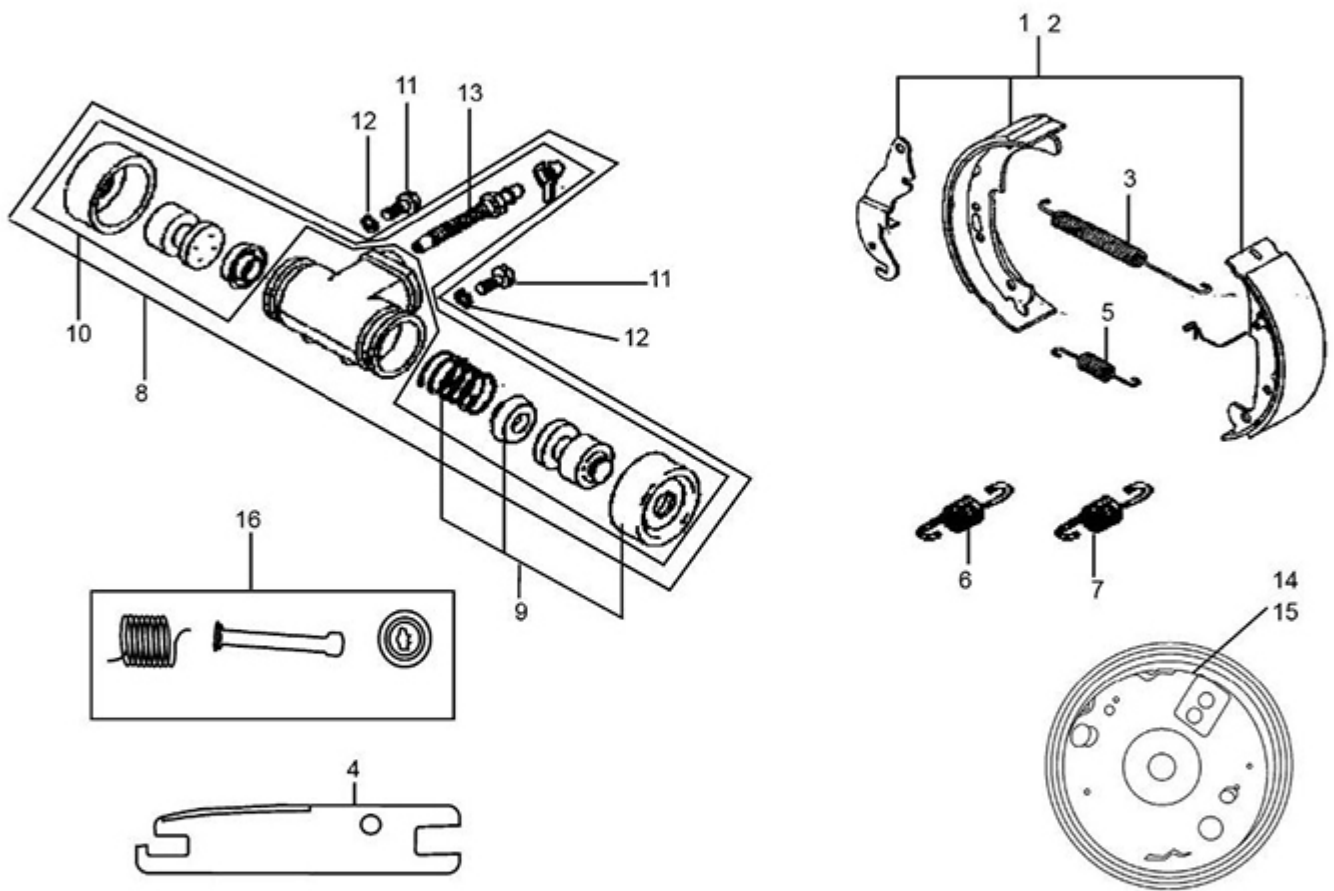


PLATE-32**Rear Brake Assembly**

Fig. No.	Part No.	Description	Qty	Remarks
1	B003330	REAR BRAKE SHOE KIT LH	1	
2	B003331	REAR BRAKE SHOE KIT RH (NI)	1	
3	B003004	SHOE RETURN SPRING (UPPER)	2	
4	B003012	STRUT REAR	2	
5	B003003	SHOE RETURN SPRING (LOWER)	2	
6	B003011	STRUT SPRING RH	1	
7	B003002	STRUT SPRING	1	
8	B003014	WHEEL CYLINDER ASSY. DIA.25.4 MM	1	
9	925574	MINOR KIT WHEEL CYLINDER	1	
10	B003328	MAJOR KIT WHEEL CYLINDER	1	
11	B002486	BOLT M8 X 35 6G CL 12.9	4	
12	12536	SPRING WASHER	4	
13	B003300	BLEEDER SCREW	2	
14	B001228	BRAKE PLATE ASSY. RH	1	
15	B001225	BRAKE PLATE ASSY. LH (N.I.)	1	
16	B003327	SHOE HOLD DOWN KIT	1	

PLATE-33

Cables

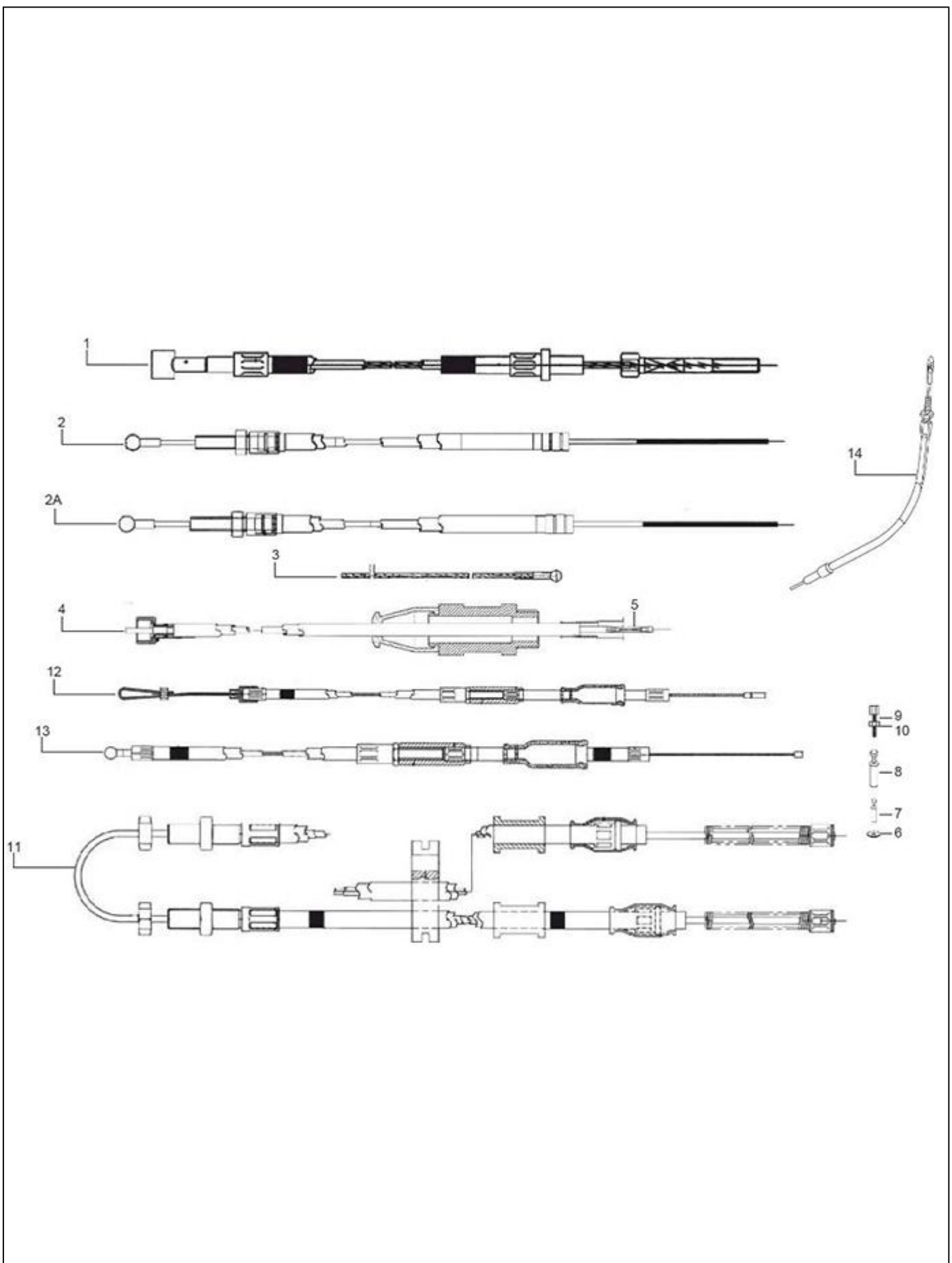


PLATE-33**Cables**

Fig. No.	Part No.	Description	Qty	Remarks
1	B073467R	CLUTCH CONTROL TRANSMISION ASSY.	1	
2	587628	CABLE GEAR CONTROL ASSY. (DARK GREY)	1	
2A	587919	CABLE GEAR CONTROL ASSY. NO. 2 (LIGHT GREY)	1	
3	B023916	INNER GEAR CONTROL CABLE (BLACK/WHITE)	2	
4	645124	SPEEDO CABLE	1	
5	587812	TRANSMISSION CABLE (INNER) FOR ODOMETER	1	
6	150418	SMALL DISC THK 1.8	3	
7	B074568	SCREW TERMINAL	1	
8	604560	SCREW TERMINAL ASSY. - GEAR CONTROL	2	
9	197071	ADJUSTER SCREW M6	2	
10	20106	HEX NUT M6	2	
11	B041774	PARKING BRAKE CABLE ASSY	1	
12	B042566	CHOKE CONTROL CABLE ASSY	1	
13	B042356	ACCELERATOR CABLE WITH JONT (NEW)	1	
14	B074850	CABLE, REVERSE GEAR ,GEAR CONTROL ASSLY	1	

PLATE-34
CNG Kit

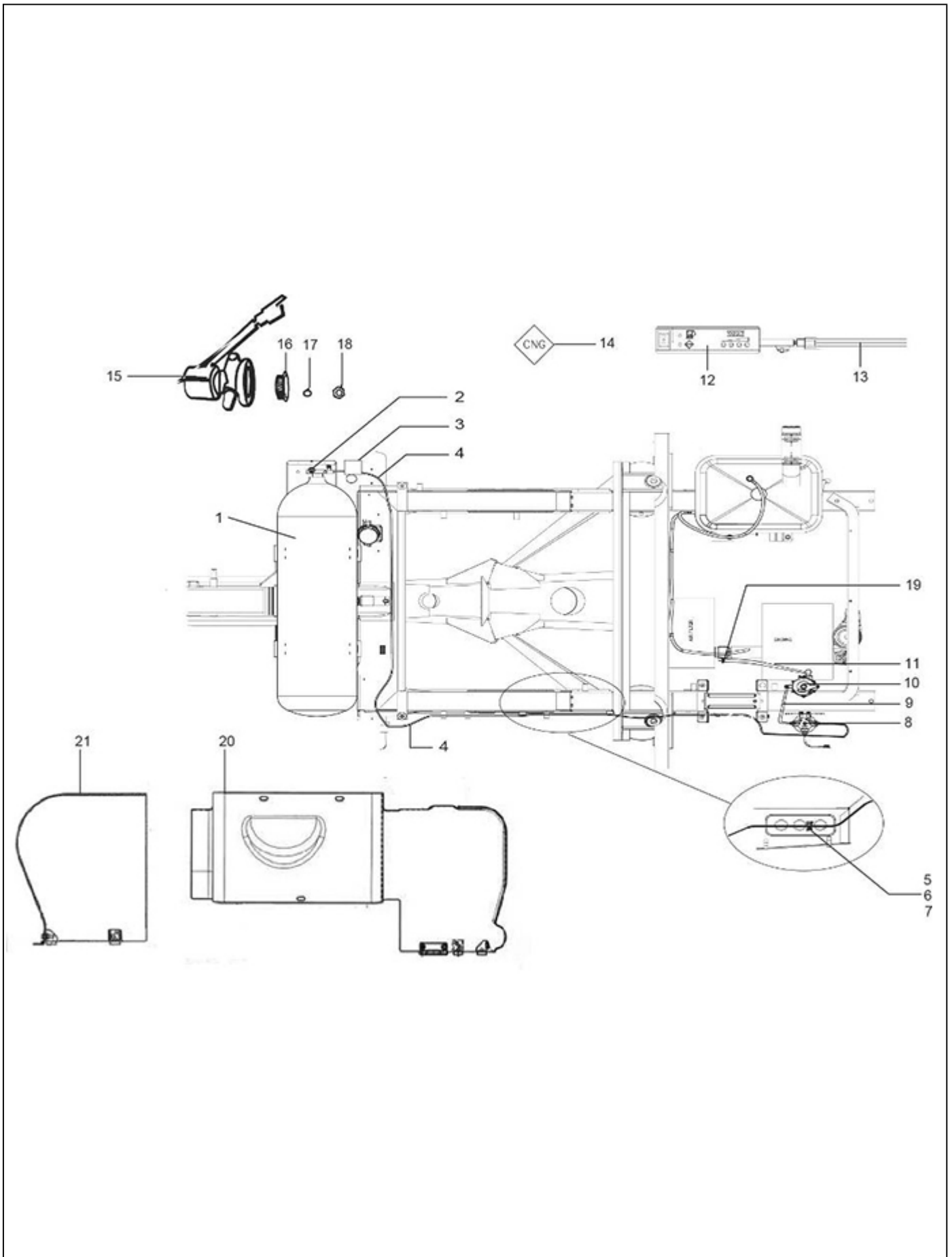


PLATE-34
CNG Kit

Fig. No.	Part No.	Description	Qty	Remarks
1	B024601R	GAS CYLINDER 30LTR.	1	
1	B024906	CNG CYLINDER WITH VALVE	1	
2	932300	CNG PRESSURE GAUGE WITH SENSOR	1	
3	B024131	FIRST STAGE REDUCTION UNIT (HPR)	1	
4	B024132	FLEXIBLE HOSE ASSY (HPR- FILTER SOL. VALVE)	1	
5	B024194	CLAMP	3	
6	643964	SCREW	3	
7	861990	WASHER	3	
8	B024137	FILTER SOL. VALVE WITH BRACKET	1	
9	B024133	HOSE SOLENOID TO LPR	1	
10	B024129	ASSEMBLY CNG REGULATOR	1	
11	B024126	HOSE LOW PRESSURE CNG	1	
12	932277	ECU	1	
13	932245	KIT WIRING HARNESS	1	
14	643850	STICKER	2	
15	932273	COIL ASSEMBLY	1	
16	B024135	PAPER FILTER	1	
17	932275	O RING	1	
18	932276	DRAIN PLUG	1	
19	932646	RESTRICTOR -2 FOR CNG	1	
20	B024692	GAS CYLINDER COVER LH ASSY	1	
21	B024694	GAS CYLINDER COVER RH ASSY	1	
22	B009159	SPIGOT ASSY.	1	N.I
23	B023130	CLIP	2	N.I

PLATE-35

Two Stage CNG Regulator

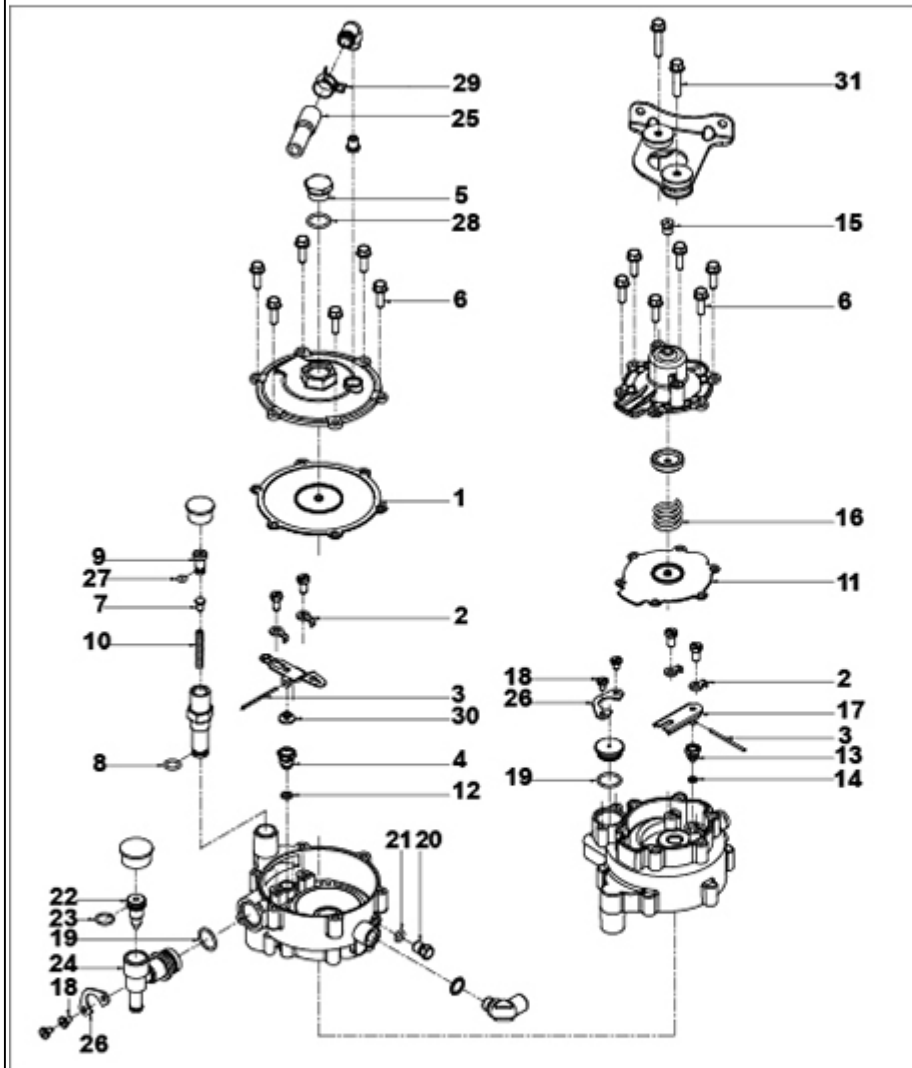


PLATE-35**Two Stage CNG Regulator**

Fig. No.	Part No.	Description	Qty	Remarks
1	932207	DIAPHRAGM SUB ASSY.	1	
2	932208	WASHER	4	
3	932210	LEVER PIN	1	
4	932211	SEAT	1	
5	932229	PLUG	1	
6	932232	FLANGE SCREW	12	
7	932212	SPRING GUIDE	1	
8	925781	O RING	1	
9	932226	IDLE SCREW	1	
10	932213	SPRING	1	
11	932215	DIAPHRAGM SUB ASSY.	1	
12	932214	WASHER	1	
13	932218	SEAT	1	
14	932219	WASHER	1	
15	932230	BREATHING-I	1	
16	932216	SPRING	1	
17	932217	LEVER SUB ASSY.	1	
18	932220	CHEESE HEAD SCREW	1	
19	932221	O RING	1	
20	932222	PLUG	1	
21	932223	O RING	1	
22	932225	FLOW ADJUSTING SCREW	1	
23	929929	O'RING	1	
24	932224	FLOW CONTROL BODY	1	
25	932227	BREATHING HOSE	1	
26	932228	CLAMP	2	
27	932240	O RING	1	
28	932231	O RING	1	
29	932254	CLIP	1	
30	925768	PAD	1	
31	932255	FLANGE SCREW	1	
32	B074833	2 STAGE CNG REGULATOR--(PAXX 200)	1	

PLATE-36

First Stage Reduction Unit

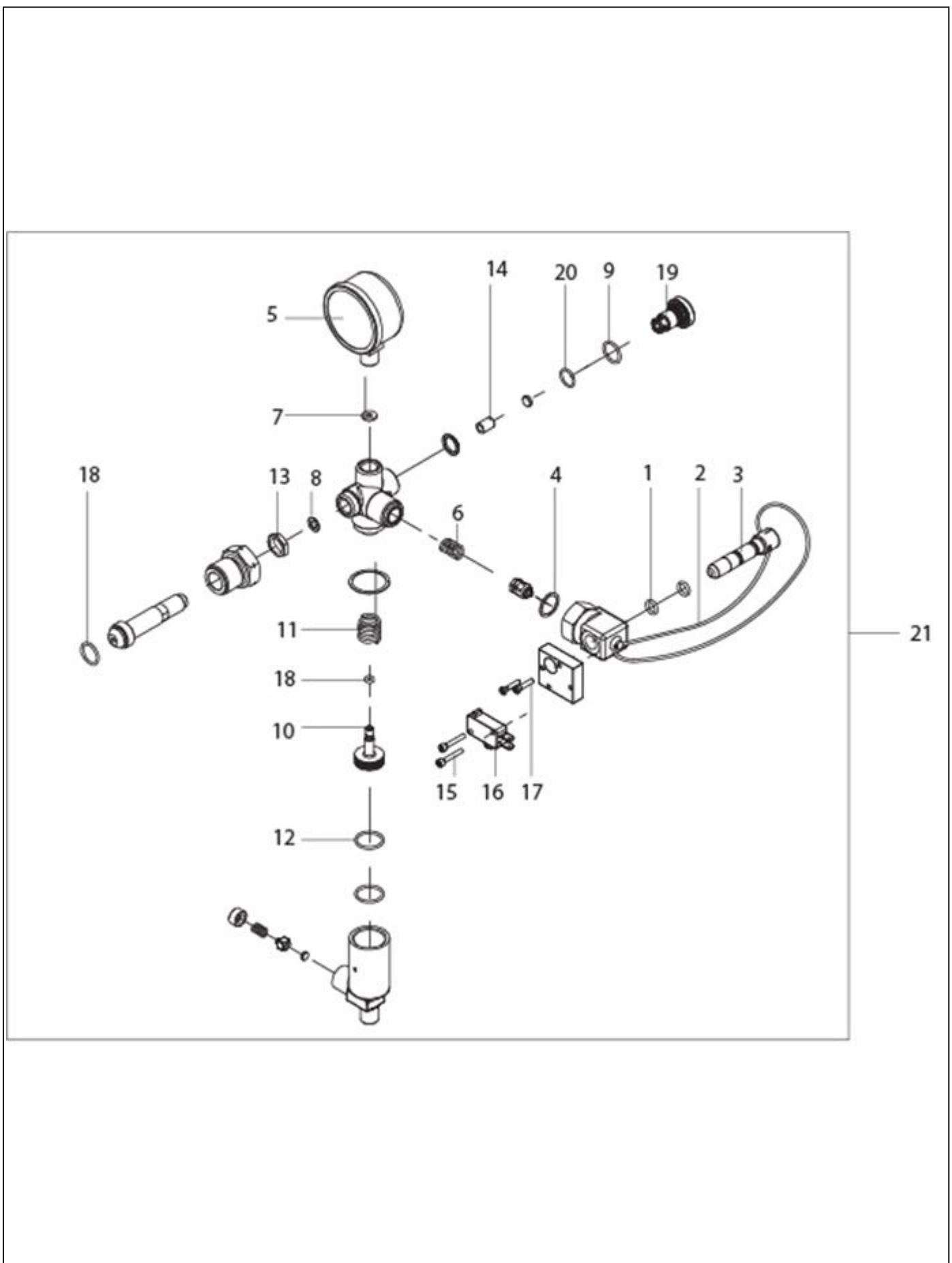


PLATE-36**First Stage Reduction Unit**

Fig. No.	Part No.	Description	Qty	Remarks
1	929931	O RING	2	
2	929933	STRING	1	
3	661399	DUST PLUG	1	
4	929934	SEALING WASHER	1	
5	B041784	CNG PRESSURE GAUGE WITH SENSOR	1	
6	929935	SPRING	1	
7	932233	WASHER	1	
8	929936	WASHER	1	
9	932235	O RING	2	
10	932237	PISTON SUB ASSY.	1	
11	932236	SPRING	1	
12	932238	O RING	1	
13	932239	LOCK NUT	1	
14	932243	FILTER	1	
15	929938	PHILIPS HEAD SCREW M3 X 20L	2	
16	929939	MICROSWITCH	1	
17	929940	PHILIPS HEAD SCREW M3 X 15L	2	
18	932240	O RING	1	
19	932241	RETAINER	1	
20	932242	ORING	1	
21	B041783	FIRST STAGE REDUCTION UNIT (HPR)	1	

PLATE-37
LPG Kit

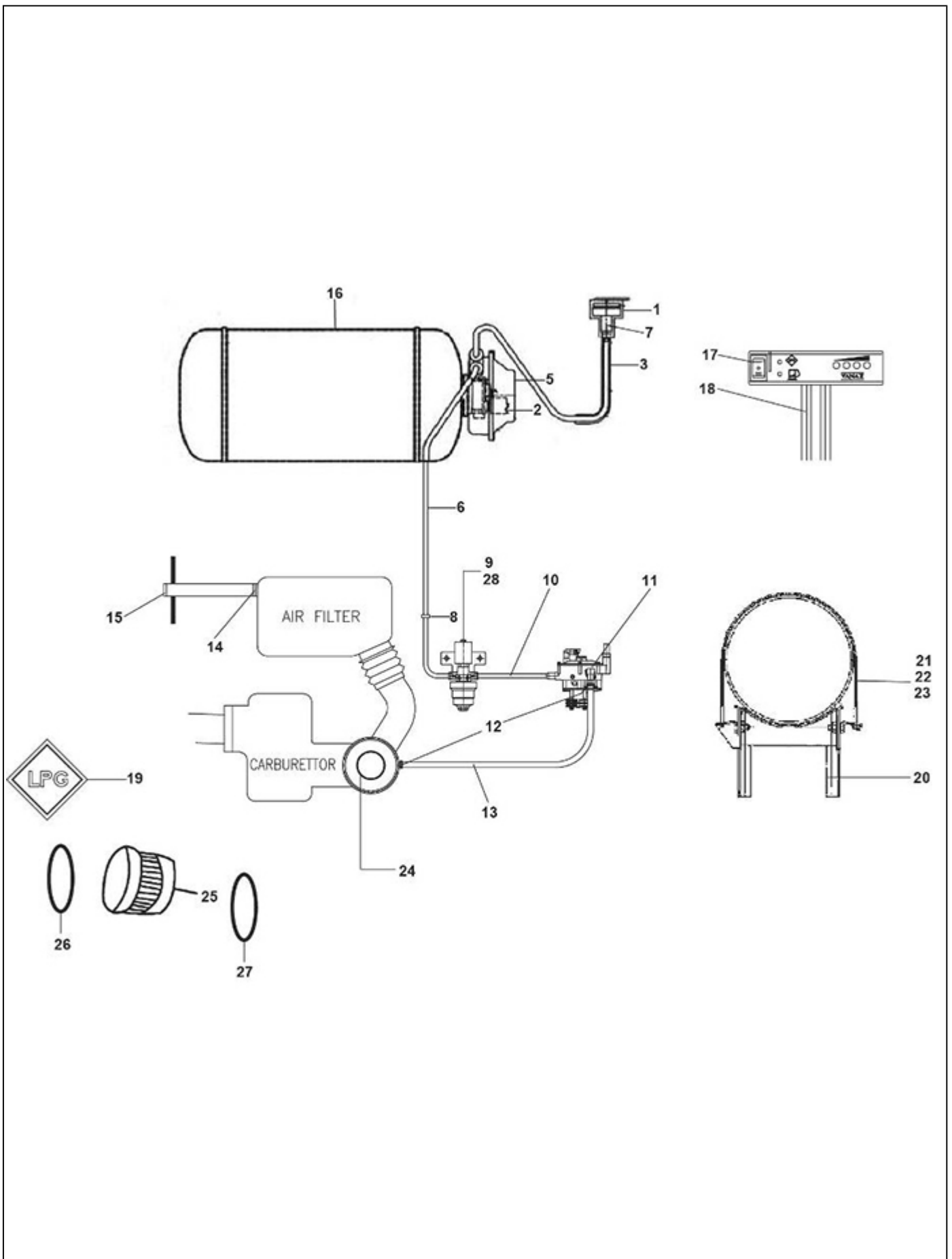


PLATE-37**LPG Kit**

Fig. No.	Part No.	Description	Qty	Remarks
1	B006286	FILLER CONNECTOR WITH CAP	1	
2	B073083	MULTI FUNCTION VALVE	1	
3	B041491	VENT HOSE ASSY - 1	1	
4	B0730084	ALLEN SCREW	6	
5	B073084	SEAL BOX	1	
6	B041773	VENT HOSE ASSY - 2	1	
7	B006287	HOUSING ASSEMBLY FOR FILLER CONNECTOR	2	
8	925722	CLAMP FOR COPPER TUBE	2	
9	B024151	FILTER SOL. VALVE WITH BRACKET	1	
10	661735	COPPER TUBE ASSY- FILTER TO LPR	1	
11	932309	2 STAGE LPG REGULATOR-(PAXX 200)	1	
12	661910	CLIP	1	
13	B024148	HOSE REGULATOR TO MIXER	1	
14	942247	RESTRICTOR - 2 FOR LPG	1	
15	940064	COIL ASSEMBLY-LPG(K-0440-03-I-170)	1	
16	B073024	LPG CYLINDER	1	
17	932268	ECU	1	
18	932267	WIRE HARNESS	1	
19	662570	STICKER - LPG	1	
20	B041782	ASSY CENTRAL BRACKET	2	
21	632183	RUBBER STRAP	2	
22	632184	RUBBER STRAP UPPER	2	
23	632185	LOWER STRAPS ASSY.	2	
24	932266	MIXER ASSEMBLY	1	
25	B024149	FILTER ELEMENT	1	
26	929949	O RING	1	
27	929948	O RING	1	
28	920012	SOLENOID SWITCH (MFV)	1	
29	B073085	LPG FLEX. HOSE ASSY. - FOR REFUELING	1	N.I
30	940091	CONTENT GAUGE LPG (ZERO DEGREE)	1	N.I
31	B073086	LPG FLEXIBLE HOSE ASSY -FROM MFV TO FSV	1	N.I

PLATE-38

Two Stage LPG Regulator

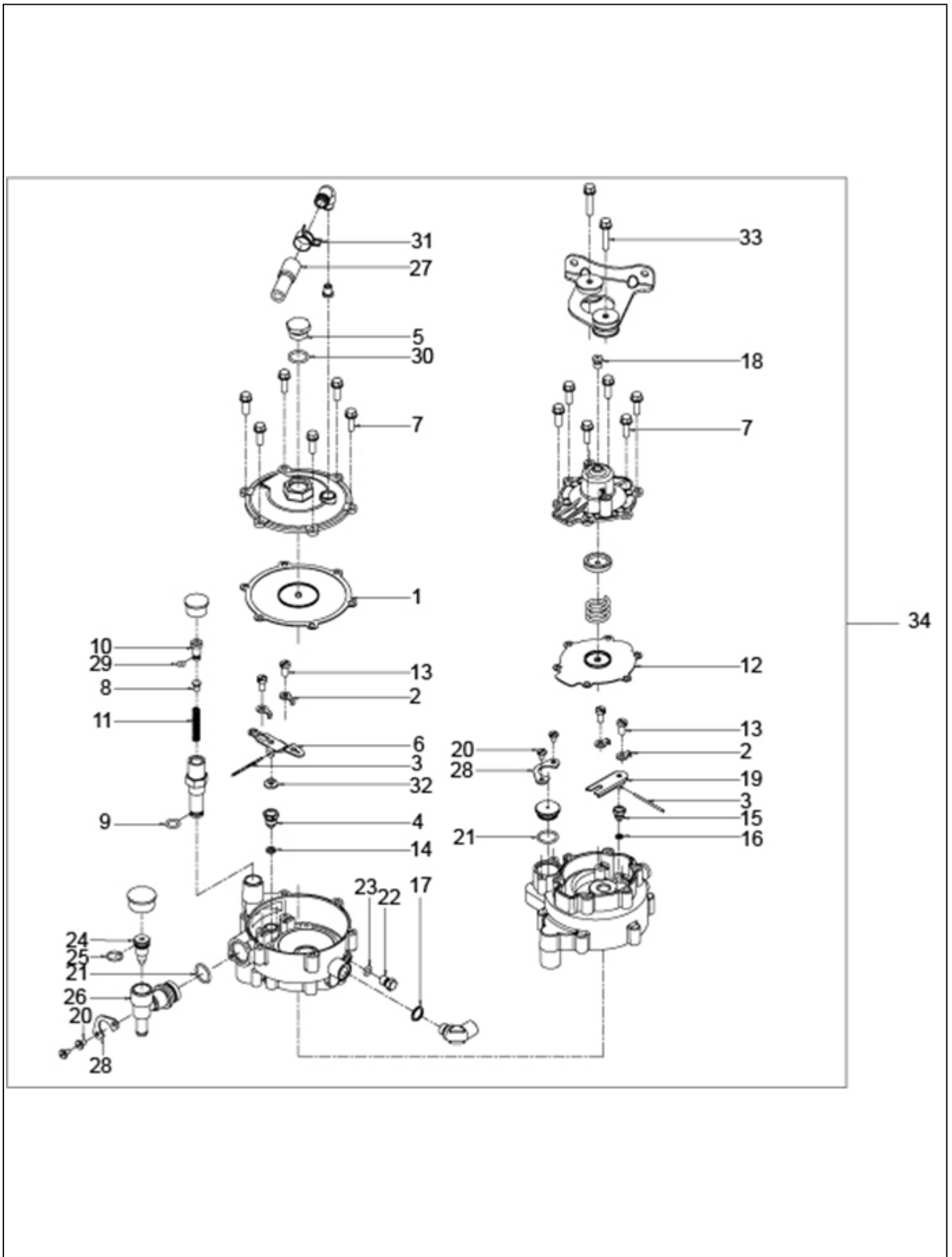


PLATE-38**Two Stage LPG Regulator**

Fig. No.	Part No.	Description	Qty	Remarks
1	932207	DIAPHRAGM SUB ASSY.	1	
2	932208	WASHER	4	
3	932210	LEVER PIN	1	
4	932263	SEAT	1	
5	932229	PLUG	1	
6	932209	LEVER SUB ASSY	1	
7	932232	FLANGE SCREW	12	
8	932212	SPRING GUIDE	1	
9	925781	O RING	1	
10	932226	IDLE SCREW	1	
11	932264	SPRING	1	
12	932215	DIAPHRAGM SUB ASSY.	1	
13	661909	CHEESE HEAD SCREW	4	
14	932214	WASHER	1	
15	932218	SEAT	1	
16	932219	WASHER	1	
17	920008	WASHER	1	
18	932230	BREATHING-I	1	
19	932217	LEVER SUB ASSY.	1	
20	932220	CHEESE HEAD SCREW	1	
21	932221	O RING	1	
22	932222	PLUG	1	
23	925783	O RING	1	
24	932225	FLOW ADJUSTING SCREW	1	
25	929929	O'RING	1	
26	932224	FLOW CONTROL BODY	1	
27	932227	BREATHING HOSE	1	
28	932228	CLAMP	2	
29	932240	O RING	1	
30	932231	O RING	1	
31	932270	CLIP	1	
32	925768	PAD	1	
33	932255	FLANGE SCREW	1	
34	B074836	2 STAGE REGULATOR FOR ZERO DEGREE	1	

PLATE-39
Tools & Accessories

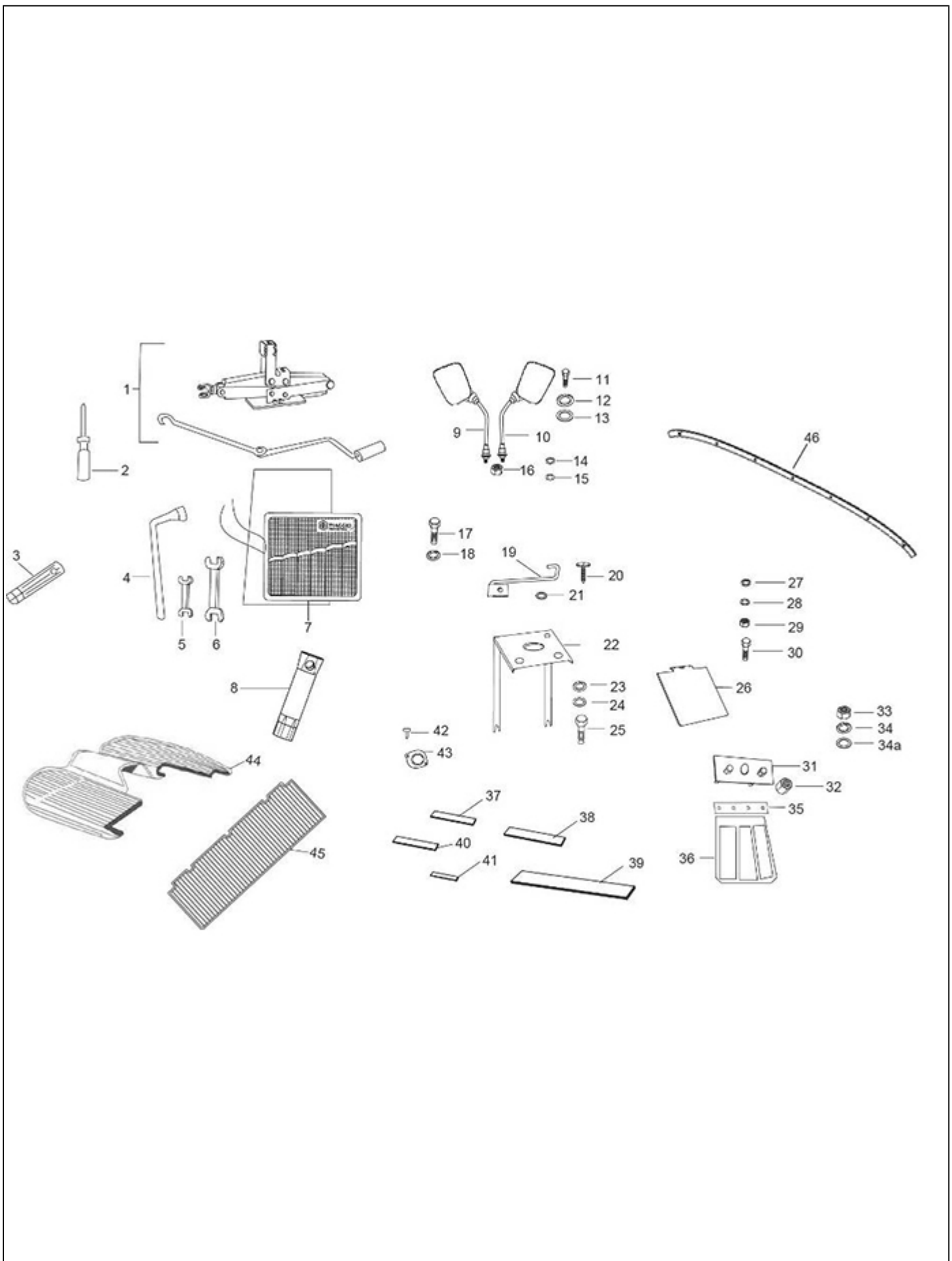


PLATE-39**Tools & Accessories**

Fig. No.	Part No.	Description	Qty	Remarks
1	B023718	JACK ASSLY (APE CITY) 0.5T	1	
2	567458	SCREW DRIVER (-)&(+) 80	1	
3	675378	SOCKET WRENCH 16	1	
4	B001494	L TYPE SPANNER-A/F -16	1	
5	567454	DOUBLE END SPANNER7/8	1	
6	567456	DOUBLE END SPANNER 12/14	1	
7	B041876	TOOL BAG	1	
8	B041787	SPARK PLUG SPANNER	1	
9	B073665	REAR VIEW MIRROR LH	1	
10	B073666	REAR VIEW MIRROR RH	1	
11	31118	SCREW M8X20	2	
12	16408	SPRING WASHER M8	6	
13	3058	PLAIN WASHER 15X8.4X1.5	20	
14	16408	SPRING WASHER M8	4	
15	3058	PLAIN WASHER 15X8.4X1.5	4	
16	20108	HEX NUT M8	4	
17	31116	HEX HD. SCREW M8X16	1	
18	16408	SPRING WASHER M8	1	
19	B001887	STOPPER ASSLY.	1	
20	15911	PAN SELF TAP SCREW 8SG X 16 AB	1	
21	16670	PLAIN WASHER 12X4.5X1	1	
22	B002334	FARE METER MTG. BKT.	1	
23	16408	SPRING WASHER M8	4	
24	3058	PLAIN WASHER 15X8.4X1.5	4	
25	31118	SCREW M8X20	4	
26	643661	LICENSE PLATE MTG. BKT.	1	
27	13861	PLAIN WASHER 20X8.2X2.5	2	
28	12540	SPRING WASHER M8	2	
29	20108	HEX NUT M8	2	
30	30072	HEX HEAD BOLT M8 X 35	2	
31	B002208	STRAP WITH PIN SPARE WHEEL MTG.	1	
32	20108	HEX NUT M8	2	
33	20106	HEX NUT M6	12	
34	16406	SPRING WASHER	12	
34a	13880	METALIC PLAIN WASHER	12	
35	B001788	CLAMP MUDFLAP REAR	2	
36	B001789	MUDFLAP MUDGAURD REAR	2	
37	B006892	BEADING	2	
38	B006600	BEADING (RUBBER PACKING REAR MIDDLE)	1	
39	B006792	BEADING (INSULATION ENG. COMP. COVER)	2	
40	B006599	BEADING (RUBBER PACKING REAR LH/RH)	2	
41	B006598	BEADING (RUBBER PACKING LH/RH)	4	

PLATE-39
Tools & Accessories

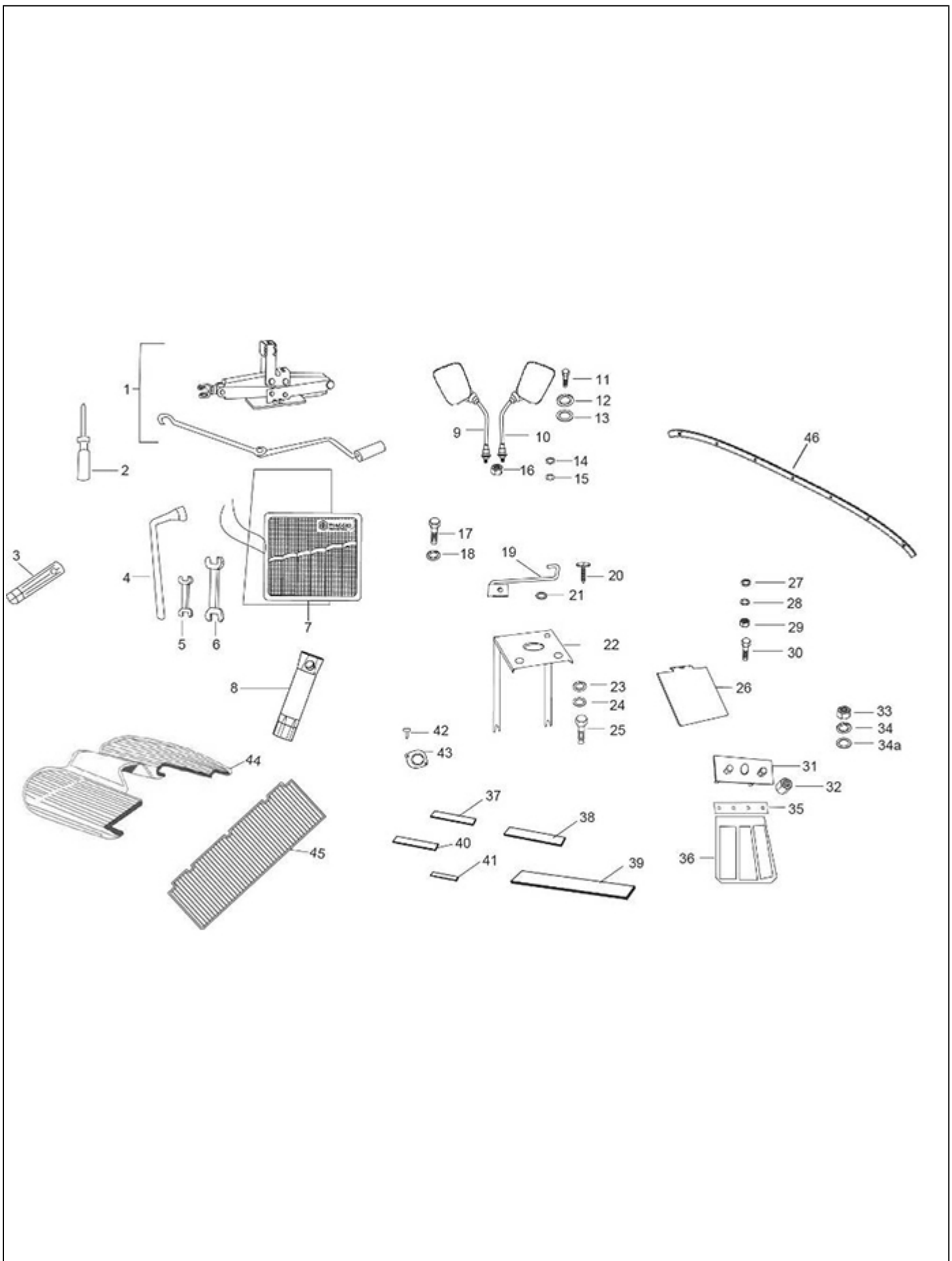


PLATE-39**Tools & Accessories**

Fig. No.	Part No.	Description	Qty	Remarks
42	8451	PAN SELF TP SCREW 6 SGX13 AB	4	
43	B003076	COVER SHOCKER MTG. HOLE	2	
44	B074060	FRONT CARPET (PETROL)	1	
44	B074061	FRONT CARPET (LPG / CNG)	1	
44	B074219	FRONT CARPET (DLS)	1	
45	B074024	RUBBER MAT FOR FOOT REST	1	
46	B073603	UPPER STRIP CANPOY MTG	1	

PLATE-40
KIT-1

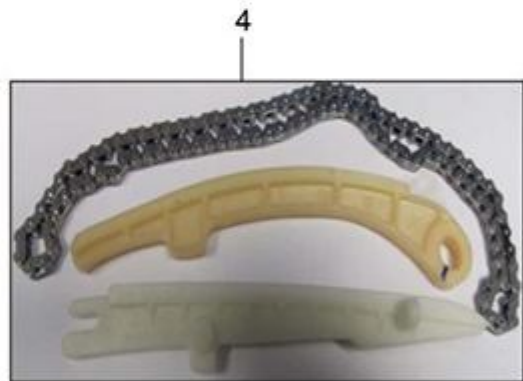
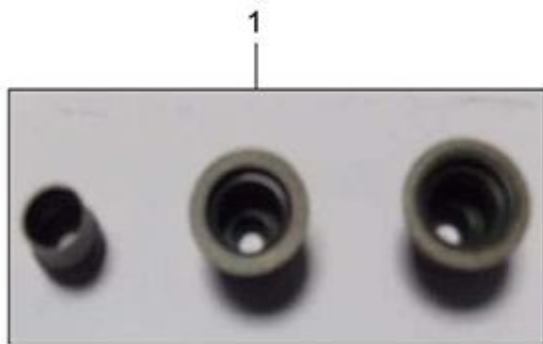


PLATE-40**KIT-1**

Fig. No.	Part No.	Description	Qty	Remarks
1	KIT95011R	VALVE SEAL RING SET	1	
1.1	83053R	VALVE SEAL RING	2	
1.2	83054R	VALVE SEAL RING	1	
2	KIT95012R	CENTRIFUGAL MASS KIT	1	
2.1	1A005421	CENTRIFUGAL MASS WITH I.P.	1	
2.2	B015043	CENTRIFUGAL MASS CONTAINMENT SHEET	1	
2.3	B015483	DECOMPRESSION SPRING	1	
3	KIT95009R	ENGINE OIL SEAL SET	1	
3.1	1A002685	SEAL RING 35X47X6	1	
3.2	117402	OIL SEAL	1	
3.3	B016120	SEAL RING 25X35X7	1	
3.4	B017177	SEAL RING	1	
3.5	1A000236	OIL SEAL	1	
3.6	183511	OIL RING	2	
3.7	285536	O-RING GASKET 31.47X1.78	1	
3.8	888472671	OIL SEAL (30X52X7)	1	
4	KIT95008R	TIMING CHAIN AND GUIDE SET	1	
4.1	1A001114R	TIMING CHAIN	1	
4.2	B014996	CHAIN TIGHTENING ROD	1	
4.3	B014997	FIXED PAD	1	

PLATE-41
KIT-2

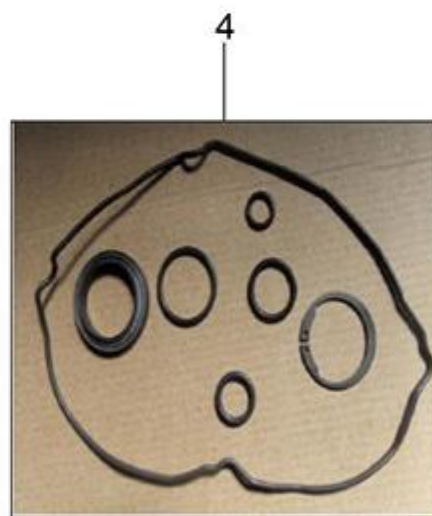
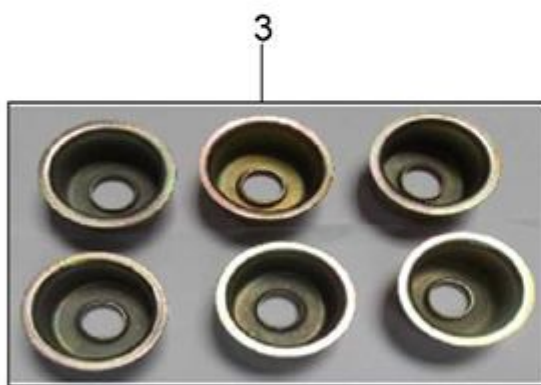
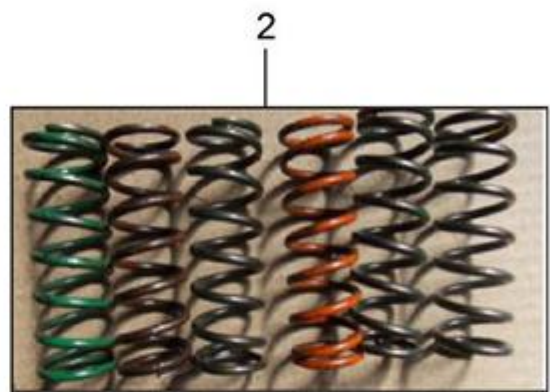
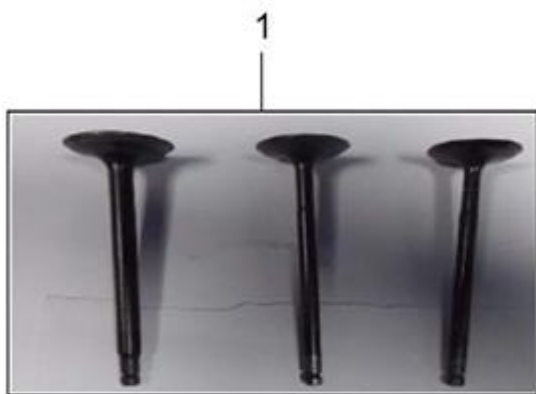


PLATE-41**KIT-2**

Fig. No.	Part No.	Description	Qty	Remarks
1	KIT1U000020	SET OF VALVES	1	
1.1	B017438	EXHAUST VALVE Ø22	1	
1.2	B014684	INTAKE VALVE Ø20	2	
2	KIT95005R	CLUTCH SPRING SET	1	
2.1	B023890	CLUTCH SPRING	6	
3	KIT95006R	CUP SET	1	
3.1	127757011	CUP - CLUTCH SPRING	6	
4	KIT95003R	O RING SET	1	
4.1	479986	O-RING GASKET	1	
4.2	B019220	O- RING (PLUNGER SHAFT)	1	
4.3	632191	O - RING	1	
4.4	B014732	SPARK PLUG HOLE GASKET	1	
4.5	B018533	CYLINDER HEAD COVER GASKET	1	
4.6	B017177	SEAL RING	1	
4.7	B018473	O-RING	1	

PLATE-42
KIT-3

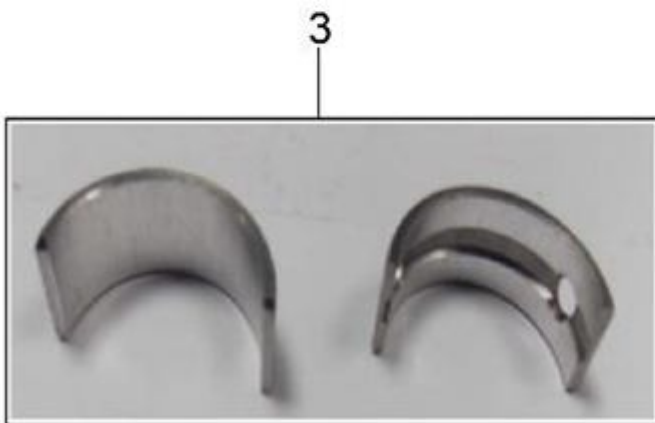
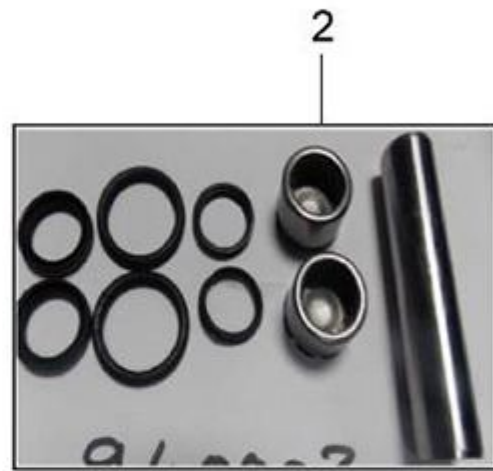
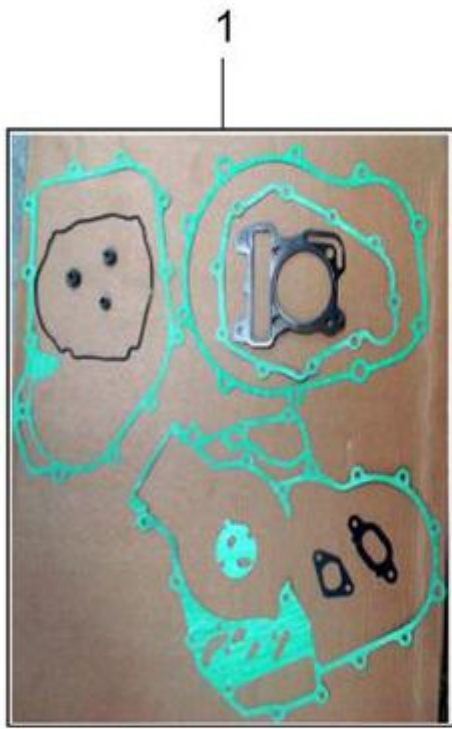


PLATE-42**KIT-3**

Fig. No.	Part No.	Description	Qty	Remarks
1	KIT95002R	GASKET SET PAXX 200	1	
1.1	B018549	CLUTCH COVER GASKET	1	
1.2	B015941	HALF-CRANKCASE GASKET	1	
1.3	83053R	VALVE SEAL RING	2	
1.4	83054R	VALVE SEAL RING	1	
1.5	B015943	CRANKCASE/ OIL PUMP GASKET	1	
1.6	B018442	INTAKE FITTING GASKET	1	
1.7	B018533	CYLINDER HEAD COVER GASKET	1	
1.8	B014555	HEAD CYLINDER GASKET	1	
1.9	B015942	STARTER COVER GASKET	1	
1.1	847928	CHAIN SUPPORT GASKET	1	
2	KIR940003R	STEERING PIN KIT WITH O RING	1	
2.1	137235	STEERING PIN	1	
2.2	107718	ROLLER BUSH	2	
2.3	6733	O RING	2	
2.4	8771	OIL SEAL (18-24-4)	2	
2.5	150579	RING FOR HOLDING TYPE J F101 17A	2	
3	KIT95007R	CRANKSHAFT BEARING SET	1	
3.1	B015872	CRANKSHAFT STUB UPPER HALF BEARING	1	
3.2	B015873	CRANKSHAFT STUB LOWER HALF BEARING	1	
4	KIT95021R	STEERING CONE SET (UPPER)	1	
4.1	567990	BEARING RACE UPPER BOTTOM	1	
4.2	567991	BEARING RACE UPPER TOP	1	

PLATE-43
KIT-4

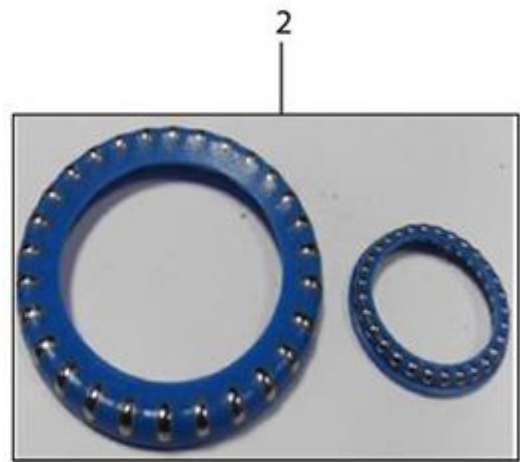


PLATE-43**KIT-4**

Fig. No.	Part No.	Description	Qty	Remarks
1	KIT95022R	STEERING CONE SET (LOWER)	1	
1.1	567992	BEARING RACE LOWER TOP	1	
1.2	567993	BEARING RACE LOWER BOTTOM	1	
2	KIT95010R	BALL KIT	1	
2.1	662422	SOLID OIL BALL CAGE (LOWER) 7104	1	
2.2	662423	SOLID OIL BALL CAGE (UPPER) 7105	1	
3	940028	GEAR SUN AND DIFFERENTIAL GEAR	1	
3.1	165155R	DIFFERENTIAL GEAR	1	
3.2	132136R	GEAR SUN	1	
4	KIT1U000025	BLOCK PISTON KIT	1	
4.1	B019317	CYLINDER	1	
4.2	B019006	PISTON Ø62.6	1	
4.3	B018433	COMPRESSION RING Ø62.6X1	1	
4.4	B018434	OIL CONTROL RING Ø62.6X1	1	
4.5	B018435	OIL CONTROL RING Ø62.6X2.5	1	
4.6	963486	CIRCLIP FOR PISTON WRIST	2	
4.7	482335	PISTON PIN	1	

PLATE-44
KIT-5

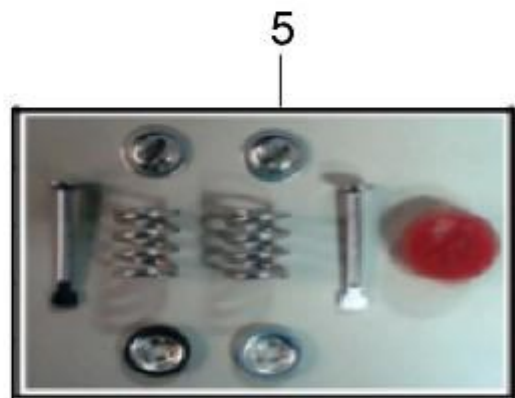
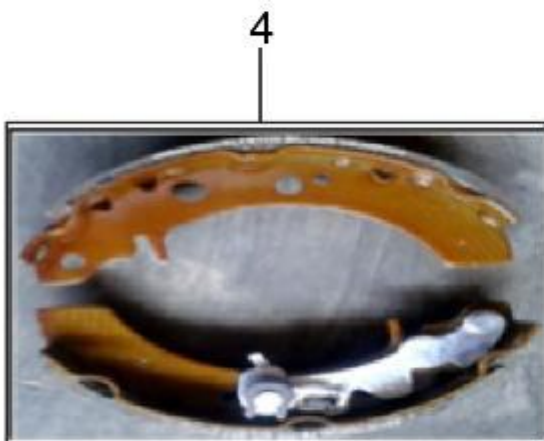
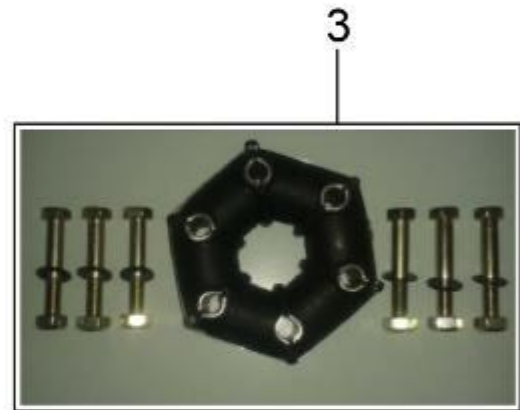
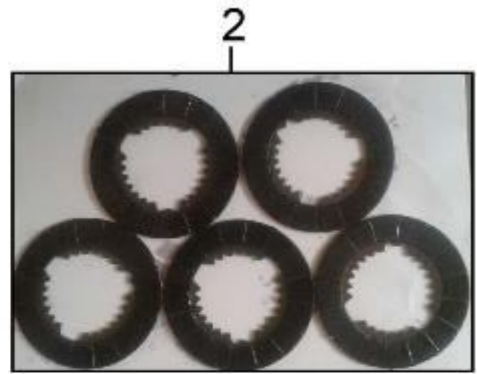
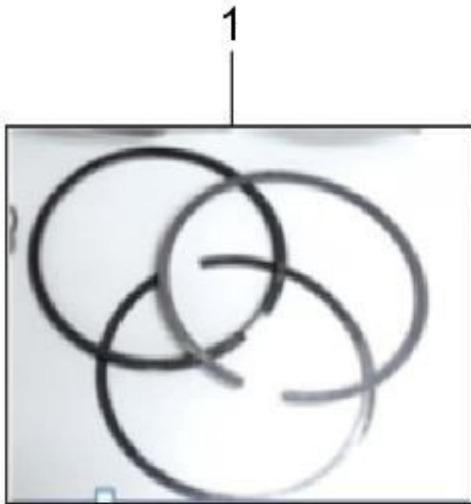


PLATE-44**KIT-5**

Fig. No.	Part No.	Description	Qty	Remarks
1	1U000023	RING SET	1	
1.1	B018433	COMPRESSION RING Ø62.6X1	1	
1.2	B018434	OIL CONTROL RING Ø62.6X1	1	
1.3	B018435	OIL CONTROL RING Ø62.6X2.5	1	
2	KIT95023R	DRIVEN PLATE	1	N.I
2.1	127530011	DRIVEN PLATE ASLY	5	
3	KIT95028R	FLEXIBLE COUPLING SERVICE KIT	1	
3.1	604535	FLEXIBLE COUPLING	1	
3.2	15594	HEX HDD BOLT M10 X 35	6	
3.3	231370	SELF BREAKING NUT M10	6	
3.4	237246	SHIM WASHER 20X10.2X1	6	
4	KIT95033	FRONT BRAKE LINERS KIT	1	
5	KIT95036	SHOE HOLD DOWN KIT	1	

PARTS INDEX

ape' City DLx_UG

PART NO	BLOCK	PART NO	BLOCK	PART NO	BLOCK
000267	PLATE-11	125181	PLATE-25	138237	PLATE-26
018639	PLATE-12	125289	PLATE-24	13861	PLATE-39
107038	PLATE-26	12536	PLATE-31	13861	PLATE-21
107718	PLATE-42	12536	PLATE-32	13880	PLATE-39
107718	PLATE-24	12540	PLATE-39	13880	PLATE-19
107827	PLATE-23	125411	PLATE-26	13880	PLATE-26
107871	PLATE-24	12546	PLATE-27	13880	PLATE-28
108785	PLATE-26	126003011	PLATE-9.1	13880	PLATE-29
108788	PLATE-26	126021013	PLATE-9.1	13880	PLATE-29
108834	PLATE-18	126022017	PLATE-9.1	150418	PLATE-33
108873	PLATE-24	126050014	PLATE-9.1	150579	PLATE-42
108874	PLATE-24	126052012	PLATE-9.1	150579	PLATE-24
109064	PLATE-24	126053016	PLATE-9.1	150915R	PLATE-27
109066	PLATE-24	126054010	PLATE-9.1	15335	PLATE-18
109117	PLATE-24	126060019	PLATE-9.1	15478	PLATE-18
109227	PLATE-25	126902	PLATE-25	15594	PLATE-44
109249	PLATE-19	127012019	PLATE-2	15594	PLATE-23
109265	PLATE-24	127013013	PLATE-2	15618	PLATE-25
109404	PLATE-25	127111011	PLATE-17	157103	PLATE-23
109635	PLATE-25	127185012	PLATE-2	157103	PLATE-23
109775	PLATE-25	127460010	PLATE-2	157716	PLATE-28
109892	PLATE-23	127530011	PLATE-44	15900	PLATE-28
111353	PLATE-6	127692015	PLATE-3	15911	PLATE-39
111356	PLATE-17	127693019	PLATE-3	15996	PLATE-17
111498	PLATE-17	127754019	PLATE-3	15996	PLATE-27
112867R	PLATE-17	127757011	PLATE-41	16319	PLATE-25
113278	PLATE-17	127757011	PLATE-3	16405	PLATE-19
116831	PLATE-29	12778	PLATE-29	16405	PLATE-20
117401	PLATE-9	12790	PLATE-23	16405	PLATE-27
117402	PLATE-40	128081017	PLATE-9.1	16405	PLATE-29
117402	PLATE-9	128307019	PLATE-17	16406	PLATE-39
118806	PLATE-25	128486	PLATE-23	16406	PLATE-9.1
119278	PLATE-26	128633	PLATE-23	16406	PLATE-10
120164019	PLATE-2	129011019	PLATE-3	16406	PLATE-17
120170018	PLATE-2	129012013	PLATE-3	16406	PLATE-18
120212012	PLATE-9	132129	PLATE-5	16406	PLATE-25
120302013	PLATE-9	132134SR	PLATE-5	16406	PLATE-26
12136	PLATE-27	132136R	PLATE-43	16406	PLATE-27
12138	PLATE-25	132136R	PLATE-5	16406	PLATE-27
122032014	PLATE-16	132244	PLATE-5	16406	PLATE-27
124102019	PLATE-9	136916	PLATE-26	16406	PLATE-28
124102019	PLATE-17	137235	PLATE-42	16406	PLATE-29
124140011	PLATE-17	137235	PLATE-24	16406	PLATE-29

PART NO	BLOCK	PART NO	BLOCK	PART NO	BLOCK
16406	PLATE-30	197071	PLATE-33	1A004224	PLATE-8
16408	PLATE-39	198618	PLATE-17	1A004225	PLATE-8
16408	PLATE-39	1A000024	PLATE-12	1A004644	PLATE-3
16408	PLATE-39	1A000236	PLATE-40	1A004836	PLATE-3
16408	PLATE-39	1A000236	PLATE-17	1A004857	PLATE-7
16408	PLATE-10	1A000404	PLATE-11	1A004857	PLATE-7
16408	PLATE-18	1A000542	PLATE-8	1A004875	PLATE-13
16408	PLATE-18	1A000708	PLATE-9	1A004939	PLATE-10
16408	PLATE-18	1A000831	PLATE-12	1A005024	PLATE-10
16408	PLATE-20	1A001114R	PLATE-40	1A005414R	PLATE-3
16408	PLATE-21	1A001114R	PLATE-13	1A005421	PLATE-40
16408	PLATE-23	1A001187R	PLATE-15	1A005421	PLATE-13
16408	PLATE-26	1A001278	PLATE-9	1A006000	PLATE-11
16408	PLATE-26	1A001283	PLATE-9	1A006002	PLATE-11
16408	PLATE-29	1A001455	PLATE-3	1A006004	PLATE-3
16408	PLATE-7.1	1A001457	PLATE-2	1A006005	PLATE-3
16410	PLATE-17	1A001468	PLATE-9.1	1A006609	PLATE-10
16410	PLATE-18	1A001794	PLATE-9	1A006628	PLATE-3
16410	PLATE-18	1A001795	PLATE-9	1A006634	PLATE-3
16410	PLATE-23	1A001862	PLATE-9	1D000425R	PLATE-15
16410	PLATE-23	1A001863	PLATE-9.1	1D000671R	PLATE-27
16410	PLATE-24	1A001905R	PLATE-4	1D001591	PLATE-27
16410	PLATE-24	1A001916	PLATE-16	1U000023	PLATE-44
16410	PLATE-25	1A002305	PLATE-7	20104	PLATE-20
165121014	PLATE-9	1A002311	PLATE-15	20104	PLATE-21
165155R	PLATE-43	1A002358	PLATE-13	20104	PLATE-26
165155R	PLATE-5	1A002661	PLATE-15	20105	PLATE-20
16620	PLATE-25	1A002685	PLATE-40	20105	PLATE-27
16626	PLATE-25	1A002685	PLATE-9	20105	PLATE-27
16670	PLATE-39	1A002691	PLATE-10	20105	PLATE-27
16670	PLATE-20	1A002691	PLATE-12	20106	PLATE-39
16670	PLATE-29	1A002947	PLATE-4	20106	PLATE-26
17702	PLATE-9.1	1A003268	PLATE-7	20106	PLATE-27
17702	PLATE-6	1A003603	PLATE-16	20106	PLATE-27
178610	PLATE-18	1A003604	PLATE-16	20106	PLATE-28
180431	PLATE-24	1A003605	PLATE-16	20106	PLATE-28
183511	PLATE-40	1A003606	PLATE-16	20106	PLATE-29
183511	PLATE-17	1A003607	PLATE-16	20106	PLATE-29
18630	PLATE-20	1A003852	PLATE-9.1	20106	PLATE-33
18639	PLATE-15	1A003936R	PLATE-10	20108	PLATE-39
18639	PLATE-7	1A004221	PLATE-8	20108	PLATE-39
196302	PLATE-23	1A004222	PLATE-8	20108	PLATE-39
196302	PLATE-24	1A004223	PLATE-8	20108	PLATE-18

PART NO	BLOCK	PART NO	BLOCK	PART NO	BLOCK
20108	PLATE-18	285536	PLATE-9	31054	PLATE-9.1
20108	PLATE-18	286328	PLATE-18	31056	PLATE-19
20108	PLATE-21	286328	PLATE-18	31057	PLATE-27
20108	PLATE-21	286328	PLATE-18	31058	PLATE-27
20108	PLATE-26	286328	PLATE-23	31058	PLATE-27
20108	PLATE-26	286406	PLATE-3	31088	PLATE-19
20108	PLATE-29	288730	PLATE-5	31088	PLATE-19
20108	PLATE-29	30072	PLATE-39	31088	PLATE-26
20108	PLATE-29	30072	PLATE-29	31088	PLATE-27
20110	PLATE-18	30074	PLATE-10	31088	PLATE-27
20110	PLATE-23	30103	PLATE-25	31088	PLATE-27
20110	PLATE-23	30104	PLATE-25	31088	PLATE-29
20110	PLATE-24	30209R	PLATE-24	31088	PLATE-29
20359	PLATE-23	30242	PLATE-20	31088	PLATE-29
21110	PLATE-24	3054	PLATE-17	31088	PLATE-30
21110	PLATE-25	3054	PLATE-21	31089	PLATE-10
21216	PLATE-26	3054	PLATE-27	31089	PLATE-25
217280	PLATE-19	3055	PLATE-20	31089	PLATE-28
219528	PLATE-28	3055	PLATE-25	31092	PLATE-17
220575	PLATE-5	3055	PLATE-26	31116	PLATE-39
226596	PLATE-23	3055	PLATE-27	31118	PLATE-39
226661	PLATE-23	3055	PLATE-27	31118	PLATE-39
226662	PLATE-23	3055	PLATE-27	31118	PLATE-21
229524	PLATE-26	3055	PLATE-28	31118	PLATE-7.1
231370	PLATE-44	3055	PLATE-29	31119	PLATE-18
231370	PLATE-17	3056	PLATE-9.1	31119	PLATE-29
231370	PLATE-18	3056	PLATE-10	31122	PLATE-26
231370	PLATE-18	3056	PLATE-27	31154	PLATE-18
231370	PLATE-23	3056	PLATE-27	3119	PLATE-29
231370	PLATE-23	3056	PLATE-28	411311	PLATE-9
231370	PLATE-23	3056	PLATE-29	414837	PLATE-9
237246	PLATE-44	3056	PLATE-30	432142	PLATE-9
237246	PLATE-23	3058	PLATE-39	433122	PLATE-10
2383	PLATE-18	3058	PLATE-39	434541	PLATE-14
2383	PLATE-18	3058	PLATE-39	434716	PLATE-10
2383	PLATE-29	3058	PLATE-21	435571	PLATE-14
243303R	PLATE-23	3058	PLATE-21	436783	PLATE-11
265091	PLATE-18	3058	PLATE-26	436947	PLATE-10
267065	PLATE-23	3058	PLATE-29	479986	PLATE-41
267068	PLATE-23	3058	PLATE-29	479986	PLATE-2
269755	PLATE-10	3058	PLATE-29	479986	PLATE-6
272178	PLATE-18	3068	PLATE-19	48197	PLATE-26
285536	PLATE-40	3068	PLATE-23	482335	PLATE-43

PART NO	BLOCK	PART NO	BLOCK	PART NO	BLOCK
482335	PLATE-14	568737	PLATE-26	612455	PLATE-26
484034	PLATE-9	569165	PLATE-27	616649	PLATE-21
485655	PLATE-9	569197	PLATE-27	616738R	PLATE-19
485703	PLATE-10	569241	PLATE-18	6173	PLATE-26
485868	PLATE-13	569244	PLATE-18	63205	PLATE-29
523012017	PLATE-16	569375	PLATE-18	632158	PLATE-25
526023017	PLATE-9.1	58295R	PLATE-11	632183	PLATE-37
566545	PLATE-24	58296R	PLATE-15	632184	PLATE-37
567454	PLATE-39	587617	PLATE-23	632185	PLATE-37
567456	PLATE-39	587628	PLATE-33	632191	PLATE-41
567458	PLATE-39	587671R	PLATE-27	632191	PLATE-6
567461	PLATE-26	587812	PLATE-33	632247	PLATE-18
567473	PLATE-24	587829	PLATE-26	632285	PLATE-27
567498R	PLATE-17	587902	PLATE-25	632299	PLATE-18
567498R	PLATE-27	587919	PLATE-33	632508	PLATE-21
567573R	PLATE-27	5969	PLATE-26	632594	PLATE-18
567593	PLATE-28	604502	PLATE-26	63440	PLATE-31
567690	PLATE-26	604506	PLATE-27	6411	PLATE-26
567706	PLATE-27	604535	PLATE-44	641541	PLATE-9
567746	PLATE-26	604535	PLATE-23	643140	PLATE-27
567747	PLATE-27	604553	PLATE-7	643149	PLATE-9
567878R	PLATE-19	604557	PLATE-27	643367	PLATE-10
567897	PLATE-26	604560	PLATE-9.1	643661	PLATE-39
567898	PLATE-26	604560	PLATE-33	643691	PLATE-22
567899	PLATE-26	604603	PLATE-29	643692	PLATE-26
567920	PLATE-26	604717	PLATE-26	643741	PLATE-23
567920	PLATE-26	604756	PLATE-19	643772R	PLATE-24
567990	PLATE-42	604756	PLATE-21	643850	PLATE-34
567990	PLATE-24	604756	PLATE-7	643964	PLATE-34
567991	PLATE-42	604758	PLATE-24	644299	PLATE-19
567991	PLATE-24	604759	PLATE-24	644814	PLATE-26
567992	PLATE-43	604908	PLATE-19	644824	PLATE-19
567992	PLATE-24	604909	PLATE-19	6450	PLATE-17
567993	PLATE-43	604948	PLATE-18	645124	PLATE-33
567993	PLATE-24	604954	PLATE-21	652105	PLATE-19
568095	PLATE-24	605389	PLATE-22	652253R	PLATE-21
568103	PLATE-27	60565	PLATE-25	658810	PLATE-28
568140	PLATE-18	6066	PLATE-23	660109	PLATE-27
568671	PLATE-22	6066	PLATE-24	660168	PLATE-21
568692	PLATE-20	60758	PLATE-24	660168	PLATE-22
568692	PLATE-27	6078	PLATE-22	660168	PLATE-28
568713	PLATE-20	6078	PLATE-27	661266	PLATE-23
568721	PLATE-27	6078	PLATE-27	661267	PLATE-23

PART NO	BLOCK	PART NO	BLOCK	PART NO	BLOCK
661399	PLATE-36	829661	PLATE-9	929910	PLATE-27
661570P	PLATE-23	830061	PLATE-4	929929	PLATE-38
661570P	PLATE-29	83040R	PLATE-13	929929	PLATE-35
661571P	PLATE-23	83041R	PLATE-13	929931	PLATE-36
661571P	PLATE-29	83053R	PLATE-40	929933	PLATE-36
661735	PLATE-37	83053R	PLATE-42	929934	PLATE-36
661909	PLATE-38	83053R	PLATE-10	929935	PLATE-36
661910	PLATE-37	83054R	PLATE-40	929936	PLATE-36
662137	PLATE-29	83054R	PLATE-42	929938	PLATE-36
662422	PLATE-43	83054R	PLATE-10	929939	PLATE-36
662422	PLATE-24	83062R	PLATE-13	929940	PLATE-36
662423	PLATE-43	83065R	PLATE-9	929948	PLATE-37
662423	PLATE-24	841005506	PLATE-6	929949	PLATE-37
662570	PLATE-37	842001600	PLATE-2	932207	PLATE-38
6650	PLATE-23	842003000	PLATE-17	932207	PLATE-35
6733	PLATE-42	842004808	PLATE-16	932208	PLATE-38
6733	PLATE-24	843000500	PLATE-6	932208	PLATE-35
675378	PLATE-39	843000809	PLATE-2	932209	PLATE-38
680070	PLATE-11	8451	PLATE-39	932210	PLATE-38
680075	PLATE-11	8451	PLATE-27	932210	PLATE-35
680165	PLATE-27	847928	PLATE-42	932211	PLATE-35
680166	PLATE-27	847928	PLATE-14	932212	PLATE-38
680217	PLATE-30	861990	PLATE-34	932212	PLATE-35
6965	PLATE-27	87067	PLATE-24	932213	PLATE-35
6965	PLATE-27	8771	PLATE-42	932214	PLATE-38
7066R	PLATE-6	8771	PLATE-24	932214	PLATE-35
71633	PLATE-27	880255211	PLATE-17	932215	PLATE-38
71633	PLATE-27	880255211R	PLATE-9	932215	PLATE-35
74414	PLATE-24	880305509R	PLATE-6	932216	PLATE-35
74521	PLATE-24	884222808	PLATE-9	932217	PLATE-38
75708	PLATE-24	888472671	PLATE-40	932217	PLATE-35
78307	PLATE-28	920008	PLATE-38	932218	PLATE-38
808000826	PLATE-20	920012	PLATE-37	932218	PLATE-35
8080	PLATE-22	925574	PLATE-32	932219	PLATE-38
8080	PLATE-28	925581	PLATE-28	932219	PLATE-35
819064530	PLATE-9	925722	PLATE-37	932220	PLATE-38
819064530	PLATE-9.1	925768	PLATE-35	932220	PLATE-35
822051647	PLATE-6	925768	PLATE-38	932221	PLATE-38
825080209	PLATE-9.1	925781	PLATE-38	932221	PLATE-35
82635R	PLATE-9	925781	PLATE-35	932222	PLATE-38
82650R	PLATE-14	925783	PLATE-38	932222	PLATE-35
82948R	PLATE-4	925786	PLATE-27	932223	PLATE-35
829593	PLATE-4	92588	PLATE-19	932224	PLATE-38

PART NO	BLOCK	PART NO	BLOCK	PART NO	BLOCK
932224	PLATE-35	932279	PLATE-7.1	B001402	PLATE-29
932225	PLATE-38	932290	PLATE-27	B001423	PLATE-29
932225	PLATE-35	932291	PLATE-27	B001430	PLATE-19
932226	PLATE-38	932292	PLATE-27	B001494	PLATE-39
932226	PLATE-35	932300	PLATE-34	B001581	PLATE-26
932227	PLATE-38	932309	PLATE-37	B001635	PLATE-29
932227	PLATE-35	932646	PLATE-34	B001788	PLATE-39
932228	PLATE-38	940028	PLATE-43	B001789	PLATE-39
932228	PLATE-35	940028	PLATE-5	B001887	PLATE-39
932229	PLATE-38	940031	PLATE-7.1	B002183	PLATE-30
932229	PLATE-35	940032	PLATE-7.1	B002208	PLATE-39
932230	PLATE-38	940033	PLATE-7.1	B002210	PLATE-29
932230	PLATE-35	940034	PLATE-7.1	B002334	PLATE-39
932231	PLATE-38	940037	PLATE-9	B002338	PLATE-26
932231	PLATE-35	940064	PLATE-37	B002344	PLATE-23
932232	PLATE-38	940065	PLATE-24	B002412	PLATE-21
932232	PLATE-35	940066	PLATE-24	B002470	PLATE-23
932233	PLATE-36	940067	PLATE-26	B002481	PLATE-23
932235	PLATE-36	940068	PLATE-26	B002482	PLATE-23
932236	PLATE-36	940069	PLATE-7.1	B002486	PLATE-23
932237	PLATE-36	940070	PLATE-7.1	B002486	PLATE-32
932238	PLATE-36	940071	PLATE-7.1	B002539	PLATE-21
932239	PLATE-36	940072	PLATE-7.1	B002625	PLATE-19
932240	PLATE-36	940073	PLATE-7.1	B002626	PLATE-19
932240	PLATE-38	940091	PLATE-37	B002628	PLATE-19
932240	PLATE-35	942247	PLATE-37	B002630	PLATE-19
932241	PLATE-36	963486	PLATE-43	B002823	PLATE-25
932242	PLATE-36	963486	PLATE-14	B003002	PLATE-31
932243	PLATE-36	AP9150472	PLATE-9	B003002	PLATE-32
932245	PLATE-34	B001225	PLATE-32	B003003	PLATE-31
932254	PLATE-35	B001228	PLATE-32	B003003	PLATE-32
932255	PLATE-35	B001273	PLATE-29	B003004	PLATE-31
932255	PLATE-38	B001301	PLATE-24	B003004	PLATE-32
932263	PLATE-38	B001302	PLATE-24	B003008	PLATE-31
932264	PLATE-38	B001315	PLATE-29	B003011	PLATE-32
932266	PLATE-37	B001315	PLATE-29	B003012	PLATE-32
932267	PLATE-37	B001316	PLATE-23	B003014	PLATE-32
932268	PLATE-37	B001316	PLATE-29	B003017	PLATE-31
932270	PLATE-38	B001317	PLATE-23	B003030	PLATE-29
932273	PLATE-34	B001319	PLATE-23	B003076	PLATE-39
932275	PLATE-34	B001323	PLATE-24	B003110R	PLATE-30
932276	PLATE-34	B001386	PLATE-20	B003115	PLATE-19
932277	PLATE-34	B001397	PLATE-31	B003155	PLATE-5

PART NO	BLOCK	PART NO	BLOCK	PART NO	BLOCK
B003163	PLATE-5	B009605	PLATE-23	B016120	PLATE-15
B003228	PLATE-26	B012219	PLATE-9	B016144	PLATE-11
B003282	PLATE-19	B014555	PLATE-42	B016147	PLATE-15
B003286	PLATE-18	B014555	PLATE-14	B016148	PLATE-15
B003300	PLATE-31	B014684	PLATE-41	B016158	PLATE-15
B003300	PLATE-32	B014684	PLATE-10	B016160	PLATE-4
B003324	PLATE-31	B014705	PLATE-10	B016170	PLATE-17
B003325	PLATE-31	B014706	PLATE-10	B016192	PLATE-12
B003327	PLATE-32	B014732	PLATE-41	B016195	PLATE-10
B003328	PLATE-32	B014732	PLATE-10	B016205	PLATE-16
B003330	PLATE-32	B014755	PLATE-9	B016206	PLATE-16
B003331	PLATE-32	B014760	PLATE-13	B016368	PLATE-10
B003358	PLATE-29	B014996	PLATE-40	B016472	PLATE-2
B003371	PLATE-18	B014997	PLATE-40	B016472	PLATE-6
B003422	PLATE-29	B014997	PLATE-13	B016473	PLATE-6
B003605	PLATE-7.1	B015017	PLATE-13	B016620	PLATE-12
B003652	PLATE-29	B015026	PLATE-4	B016621	PLATE-17
B003654	PLATE-29	B015043	PLATE-40	B016621	PLATE-6
B003657	PLATE-29	B015043	PLATE-13	B016774	PLATE-13
B003658	PLATE-29	B015288	PLATE-10	B016822	PLATE-8
B003727	PLATE-27	B015483	PLATE-40	B016823	PLATE-8
B003855	PLATE-18	B015483	PLATE-13	B016824	PLATE-8
B003924	PLATE-16	B015591	PLATE-9	B016825	PLATE-8
B003929	PLATE-19	B015592	PLATE-9	B016826	PLATE-8
B003978	PLATE-21	B015598	PLATE-9	B016827	PLATE-8
B006286	PLATE-37	B015816	PLATE-17	B016828	PLATE-8
B006287	PLATE-37	B015817	PLATE-17	B016829	PLATE-8
B006509	PLATE-31	B015818	PLATE-5	B016834	PLATE-8
B006593	PLATE-29	B015862	PLATE-3	B016856	PLATE-9
B006598	PLATE-39	B015863	PLATE-2	B016869	PLATE-8
B006599	PLATE-39	B015872	PLATE-42	B016939	PLATE-14
B006600	PLATE-39	B015872	PLATE-9	B017042	PLATE-4
B006742	PLATE-10	B015873	PLATE-42	B017113	PLATE-13
B006792	PLATE-39	B015873	PLATE-9	B017133	PLATE-17
B006892	PLATE-39	B015888	PLATE-15	B017134	PLATE-17
B008893	PLATE-18	B015931	PLATE-12	B017135	PLATE-5
B008898	PLATE-18	B015941	PLATE-42	B017177	PLATE-40
B008921	PLATE-18	B015942	PLATE-42	B017177	PLATE-41
B008924	PLATE-7.1	B015942	PLATE-15	B017177	PLATE-16
B009159	PLATE-34	B015943	PLATE-42	B017178	PLATE-9
B009193	PLATE-7.1	B015943	PLATE-4	B017189	PLATE-15
B009582	PLATE-19	B016016	PLATE-7	B017230	PLATE-10
B009603	PLATE-23	B016120	PLATE-40	B017323	PLATE-13

PART NO	BLOCK	PART NO	BLOCK	PART NO	BLOCK
B017336	PLATE-10	B018978	PLATE-7	B024512	PLATE-29
B017377	PLATE-12	B018990	PLATE-17	B024516	PLATE-29
B017431	PLATE-13	B018991	PLATE-17	B024532	PLATE-27
B017438	PLATE-41	B019006	PLATE-43	B024579	PLATE-25
B017438	PLATE-10	B019214	PLATE-6	B024581	PLATE-25
B017443	PLATE-7	B019220	PLATE-41	B024601R	PLATE-34
B017456	PLATE-10	B019220	PLATE-2	B024614	PLATE-17
B0174924	PLATE-6	B019246	PLATE-9	B024641	PLATE-27
B017493	PLATE-6	B019317	PLATE-43	B024642	PLATE-27
B017541	PLATE-8	B019317	PLATE-14	B024643	PLATE-27
B017542	PLATE-8	B019342	PLATE-8	B024683	PLATE-22
B017746	PLATE-13	B019343	PLATE-8	B024684	PLATE-22
B017921	PLATE-10	B019344	PLATE-8	B024686	PLATE-27
B018023	PLATE-12	B019350	PLATE-10	B024692	PLATE-34
B018025	PLATE-12	B023130	PLATE-34	B024694	PLATE-34
B018356	PLATE-13	B023718	PLATE-39	B024838	PLATE-18
B018433	PLATE-43	B023727R	PLATE-27	B024892	PLATE-19
B018433	PLATE-44	B023890	PLATE-41	B024906	PLATE-34
B018434	PLATE-43	B023890	PLATE-3	B024948R	PLATE-27
B018434	PLATE-44	B023916	PLATE-33	B024949R	PLATE-30
B018435	PLATE-43	B023940	PLATE-17	B025672	PLATE-29
B018435	PLATE-44	B024056	PLATE-27	B041054	PLATE-29
B018442	PLATE-42	B024113	PLATE-24	B041090	PLATE-7.1
B018442	PLATE-7	B024126	PLATE-34	B041090	PLATE-7
B018471	PLATE-16	B024129	PLATE-34	B041160	PLATE-26
B018472	PLATE-16	B024131	PLATE-34	B041161	PLATE-26
B018473	PLATE-41	B024132	PLATE-34	B041181	PLATE-24
B018473	PLATE-16	B024133	PLATE-34	B041289	PLATE-29
B018533	PLATE-41	B024135	PLATE-34	B041392	PLATE-21
B018533	PLATE-42	B024137	PLATE-34	B041397	PLATE-29
B018533	PLATE-10	B024148	PLATE-37	B041398	PLATE-29
B018549	PLATE-2	B024149	PLATE-37	B041459	PLATE-21
B018549	PLATE-42	B024151	PLATE-37	B041491	PLATE-37
B0186174	PLATE-17	B024168	PLATE-19	B041773	PLATE-37
B018672	PLATE-6	B024169	PLATE-22	B041774	PLATE-26
B018673	PLATE-6	B024194	PLATE-34	B041774	PLATE-33
B018678	PLATE-3	B024270	PLATE-30	B041782	PLATE-37
B018718	PLATE-9	B024271	PLATE-30	B041783	PLATE-36
B018718	PLATE-13	B024374	PLATE-23	B041784	PLATE-36
B018853	PLATE-2	B024402ED	PLATE-29	B041787	PLATE-39
B018853	PLATE-15	B024450	PLATE-7.1	B041876	PLATE-39
B018854	PLATE-14	B024474	PLATE-21	B042063	PLATE-30
B018946	PLATE-13	B024496	PLATE-29	B042082	PLATE-22

PART NO	BLOCK	PART NO	BLOCK	PART NO	BLOCK
B042226	PLATE-23	B073685	PLATE-27	B074033	PLATE-28
B042356	PLATE-33	B073690	PLATE-24	B074040	PLATE-25
B042378	PLATE-19	B073715	PLATE-27	B074060	PLATE-39
B042390	PLATE-19	B073778	PLATE-30	B074061	PLATE-39
B042438	PLATE-24	B073786	PLATE-26	B074063	PLATE-28
B042486	PLATE-6	B073788	PLATE-26	B074150	PLATE-21
B042517	PLATE-21	B073789	PLATE-26	B074170	PLATE-28
B042566	PLATE-33	B073790	PLATE-26	B074171	PLATE-28
B042758	PLATE-9.1	B073791	PLATE-26	B074182BW	PLATE-29
B042759	PLATE-9.1	B073800	PLATE-25	B074182BY	PLATE-29
B0730084	PLATE-37	B073809	PLATE-22	B074182CB	PLATE-29
B073024	PLATE-37	B073810	PLATE-22	B074182EG	PLATE-29
B073083	PLATE-37	B073811	PLATE-22	B074182GY	PLATE-29
B073084	PLATE-37	B073812	PLATE-22	B074196BY	PLATE-29
B073085	PLATE-37	B073815	PLATE-22	B074196EG	PLATE-29
B073086	PLATE-37	B073816	PLATE-22	B074196GY	PLATE-29
B073320R	PLATE-30	B073817	PLATE-25	B074216	PLATE-22
B073462	PLATE-24	B073848	PLATE-25	B074219	PLATE-39
B073467R	PLATE-33	B073849	PLATE-25	B074261	PLATE-22
B073477	PLATE-29	B073850	PLATE-25	B074262	PLATE-22
B073478	PLATE-22	B073852	PLATE-28	B074271	PLATE-22
B073479	PLATE-22	B073852	PLATE-29	B074275	PLATE-22
B073481	PLATE-22	B073853	PLATE-29	B074279	PLATE-22
B073492	PLATE-27	B073854	PLATE-30	B074311	PLATE-26
B073497	PLATE-26	B073874	PLATE-28	B074313	PLATE-26
B073538	PLATE-26	B073875	PLATE-28	B074433	PLATE-28
B073587	PLATE-20	B073875SL	PLATE-28	B074434	PLATE-28
B073588	PLATE-20	B073882	PLATE-28	B074435	PLATE-21
B073598	PLATE-29	B073882BL	PLATE-28	B074437	PLATE-28
B073600	PLATE-27	B073882BW	PLATE-28	B074438	PLATE-28
B073601	PLATE-20	B073882CB	PLATE-28	B074498	PLATE-25
B073602ED	PLATE-20	B073882EG	PLATE-28	B074505	PLATE-29
B073603	PLATE-39	B073882GY	PLATE-28	B074538BY	PLATE-21
B073617	PLATE-30	B073882WR	PLATE-28	B074538EG	PLATE-21
B073618	PLATE-30	B073953	PLATE-28	B074538GY	PLATE-21
B073626	PLATE-20	B073969	PLATE-28	B074539	PLATE-27
B073642	PLATE-28	B073970	PLATE-28	B074539	PLATE-28
B073643	PLATE-28	B073977	PLATE-30	B074568	PLATE-33
B073665	PLATE-39	B073978	PLATE-30	B074573BY	PLATE-21
B073666	PLATE-39	B073979	PLATE-30	B074573EG	PLATE-21
B073667	PLATE-24	B073980	PLATE-30	B074573GY	PLATE-21
B073678	PLATE-7.1	B074024	PLATE-39	B074584BW	PLATE-21
B073679	PLATE-7.1	B074024	PLATE-26	B074584BY	PLATE-21

