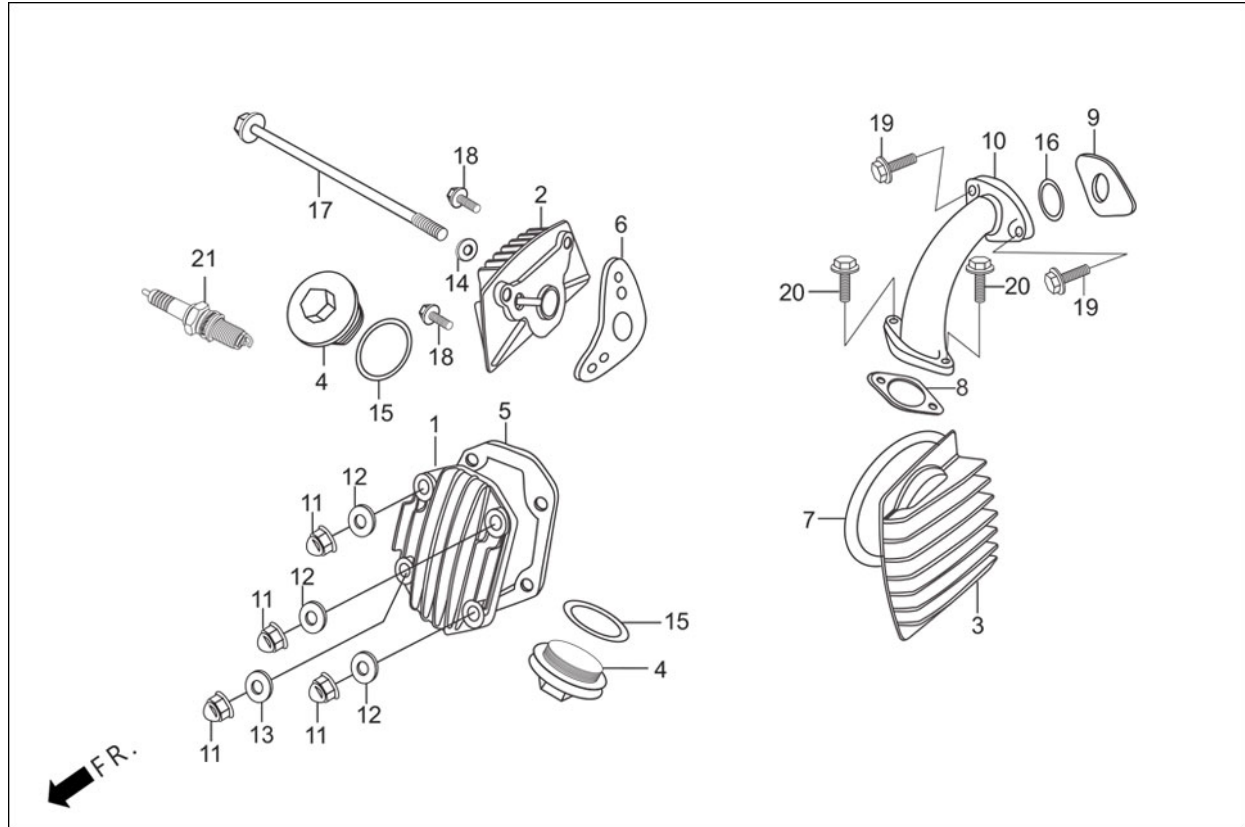


PARTS CATALOGUE

Passion Pro (Aug, 2015)

E-1 : CYLINDER HEAD COVER/INLET PIPE



E-1 : CYLINDER HEAD COVER/INLET PIPE

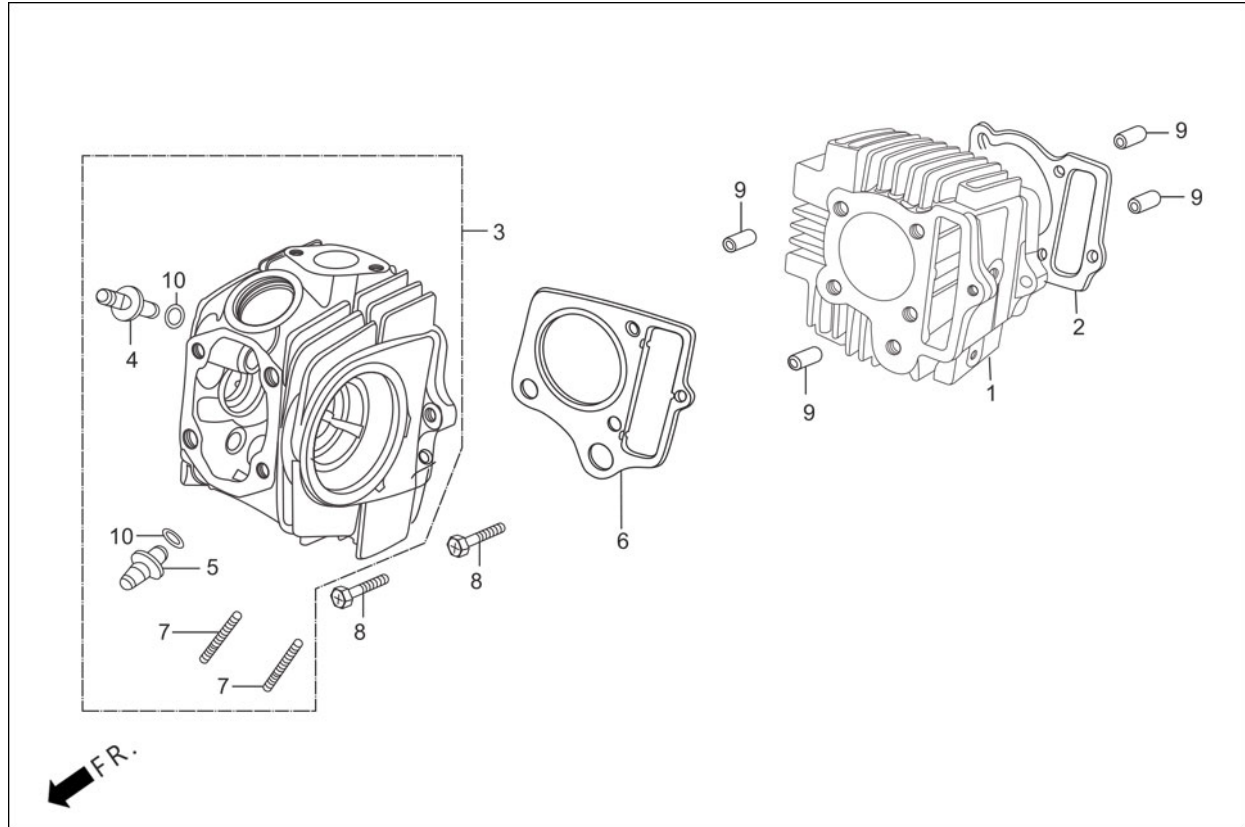
Group Number: E-1 **Model ::** Passion Pro (Aug, 2015)

Ref No.	Part Number	Description	Req.
1	12301-KWA-900	COVER, CYLINDER HEAD, BLACK	1
2	12331-KWA-900	COVER R CYLINDER HEAD SIDE(BLACK)	1
3	12341-KWA-900	COVER L CYLINDER HEAD SIDE	1
4	12361-035-000	CAP, TAPPET ADJUSTING HOLE	2
	12361-035-000	CAP, TAPPET ADJUSTING HOLE	2
5	12391-AAH-00099	GASKET CYL HEAD COVER	1
6	12394-AAH-00099	GASKET CYL HEAD R SIDE COVER	1
7	12395-AAH-00099	GASKET CYL HEAD L SIDE COVER	1
8	16201-KWB-920	GASKET,CARB. INSULATER	1
9	16211-459-750	INSULATOR, CARBURETTOR	1
10	17110-AAF-100	PIPE, INLET	1
11	90201-GF6-000R	NUT, CAP, 7 MM	4
12	90442-GF6-000	WASHER, SEALING, 7 MM	3
13	90443-GF6-010	WASHER, A SEALING, 7 MM	1
14	90461-357-000	WASHER, SEALING, 12 MM	1
15	91302-KEV-900	O-RING, 30.8 X 3	2
16	91304-GB1-900	O-RING, 25 X 2.4	1
	91304-GB1-900	O-RING, 25 X 2.4	1
17	95701-06110-00	BOLT, FLANGE, 6 X 110	1
18	96001-06020-00	BOLT, FLANGE, SH. 6 X 20	2

E-1 : CYLINDER HEAD COVER/INLET PIPE

19	96001-06022-00	BOLT, FLANGE, SH. 6 X 22	2
	96001-06022-00	BOLT, FLANGE, SH. 6 X 22	2
20	96001-06025-00	BOLT, FLANGE, SH. 6 X 25	2
21	31917-AAC-H00	SPARK PLUG	1

E-2 : CYLINDER/CYLINDER HEAD

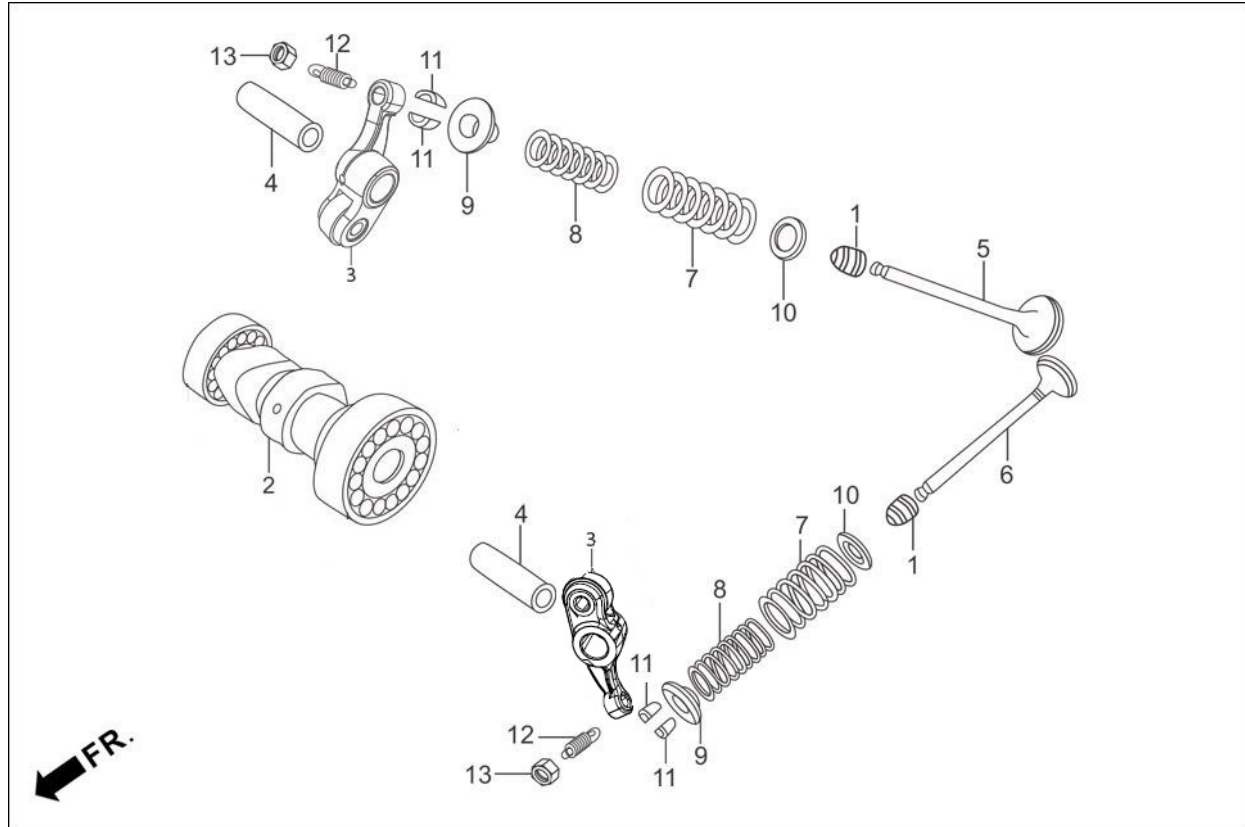


E-2 : CYLINDER/CYLINDER HEAD

Group Number: E-2 **Model ::** Passion Pro (Aug, 2015)

Ref No.	Part Number	Description	Req.
1	12101-KST-940	CYLINDER	1
2	12191-AAH-F0099	GASKET CYLINDER	1
3	12200-AAH-500	HEAD COMP. CYLINDER	1
4	12237-GB4-305	GUIDE,IN. VALVE	1
5	12245-GB4-305	GUIDE, EXH. VALVE	1
6	12251-KST-94099	GASKET CYLINDER HEAD	1
7	90033-041-020	BOLT, STUD, 6 X 32	2
8	90081-GFP-900	BOLT, SOCKET FLANGE 6×23	2
9	90701-GF6-000	PIN, DOWEL, 8 X 14	4
	90701-GF6-000	PIN, DOWEL, 8 X 14	4
10	91305-028-150	O- RING, 9 X1.6	2

E-3 : CAMSHAFT/VALVE

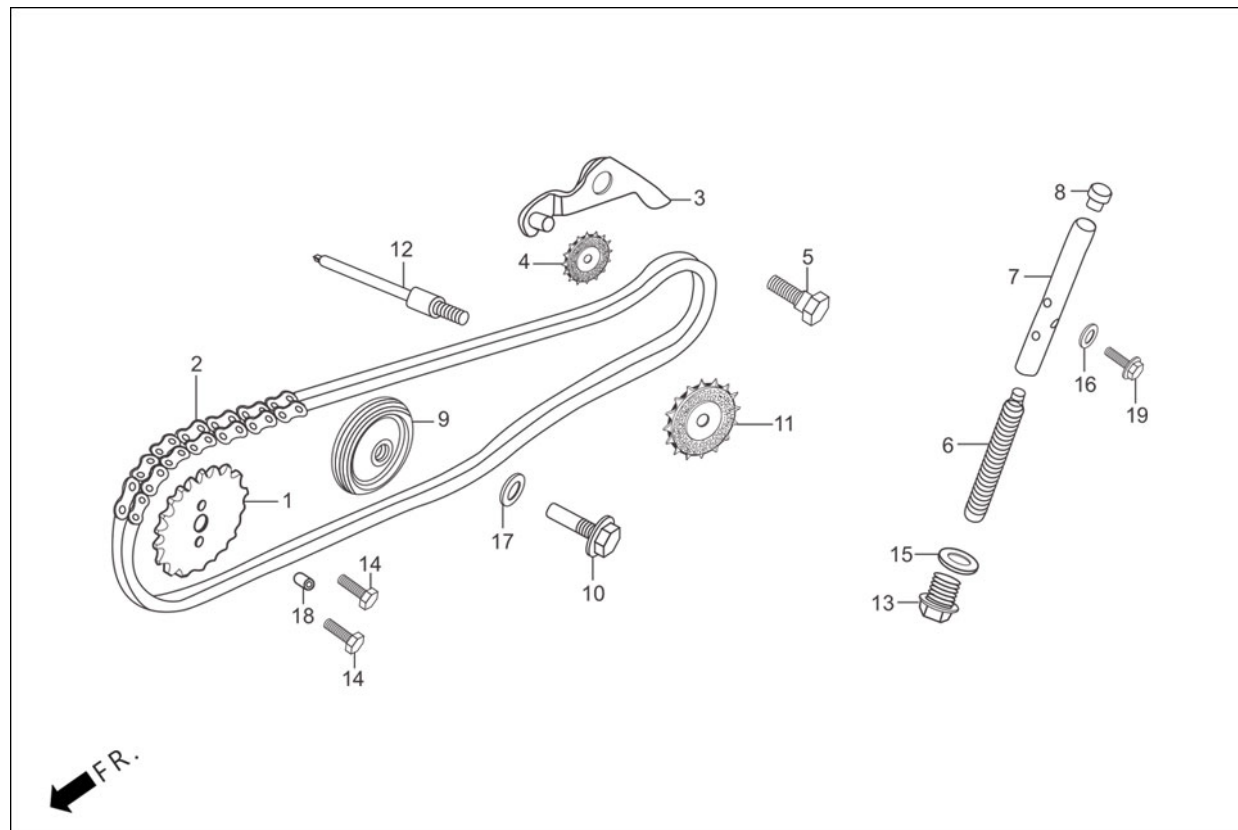


E-3 : CAMSHAFT/VALVE

Group Number: E-3 **Model ::** Passion Pro (Aug, 2015)

Ref No.	Part Number	Description	Req.
1	12209-GB4-685	SEAL, VALVE STEM	2
	12209-GB4-685	SEAL, VALVE STEM	2
2	14100-AAH-H41	SHAFT COMP CAM	1
3	14430-KST-940	ARM COMP., VALVE ROCKER	2
4	14451-KST-940	SHAFT, ROCKER ARM	2
5	14711-GN5-90099	VALVE INLET	1
6	14721-AAE-H10	VALVE, EXHAUST	1
7	14751-GBG-900	SPRING, VALVE OUTER	2
8	14761-GBG-900	SPRING, VALVE INNER	2
9	14771-GB4-680	RETAINER, VALVE SPRING	2
10	14775-MA6-000	SEAT, VALVE SPRING OUTER	2
	14775-MA6-000	SEAT, VALVE SPRING OUTER	2
11	14781-MA6-000	COTTER, VALVE	4
	14781-MA6-000	COTTER, VALVE	4
12	90012-333-000R	SCREW, TAPPET ADJUSTING	2
	90012-333-000R	SCREW, TAPPET ADJUSTING	2
13	90206-001-000	NUT, TAPPET ADJUSTING	2
	90206-001-000	NUT, TAPPET ADJUSTING	2

E-4 : CAM CHAIN TENSIONER



E-4 : CAM CHAIN TENSIONER

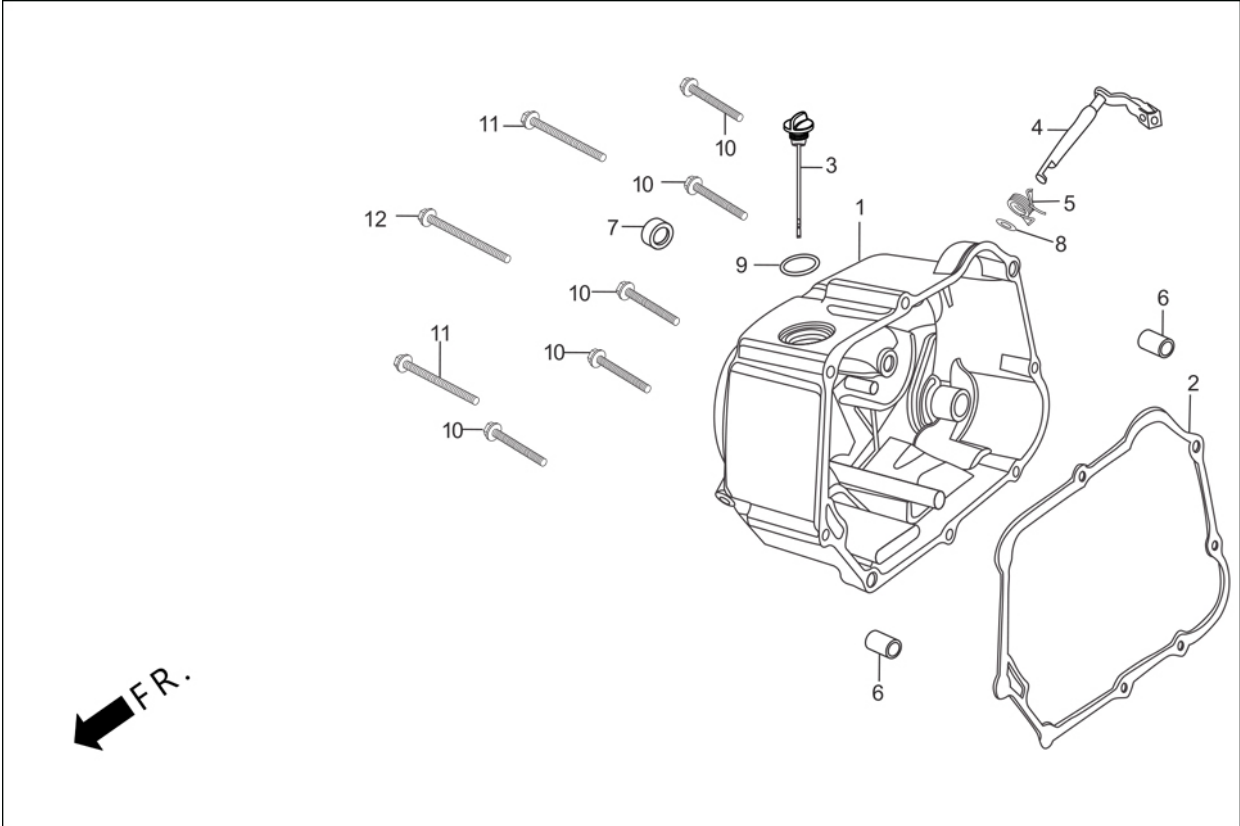
Group Number: E-4 **Model ::** Passion Pro (Aug, 2015)

Ref No.	Part Number	Description	Req.
1	14321-AAD-200	SPROCKET CAM	1
2	14401-AAD-00099	CAM CHAIN	1
3	14500-035-020	ARM COMP. ,CAM CHAIN TENSIONER	1
4	14502-086-000R	ROLLER, CAM CHAIN TENSIONER	1
5	14531-035-000	PIVOT, CAM CHAIN TENSIONER	1
6	14541-GB4-681	SPRING, TENSIONER	1
7	14550-GB0-910R	PUSH ROD, COMP., TENSIONER	1
8	14566-086-030	HEAD.TENS.PUSH ROD	1
9	14610-086-000R	ROLLER COMP., CAM CHAIN GUIDE	1
10	14615-035-010	PIN, GUIDE ROLLER	1
11	14670-035-030L	SPROCKET, CAM CHAIN GUIDE	1
12	14675-178-000	SPINDLE, CAM CHAIN GUIDE SPROCKET	1
13	90081-035-000	BOLT, SEALING, 14 MM	1
14	90083-KVH-900	BOLT, KNOCK, 5 MM	2
15	90441-035-000	WASHER, SEALING, 14 MM	1
16	90461-357-000	WASHER, SEALING, 12 MM	1
17	90481-035-000	WASHER, 8 MM	1
18	90702-GB6-910	PIN, DOWEL,8 X 12	1
	90702-GB6-910	PIN, DOWEL,8 X 12	1
19	96001-06018-00	BOLT, FLANGE, 6 X 18	1

E-4 : CAM CHAIN TENSIONER

96001-06018-00	BOLT, FLANGE, 6 X 18	1
----------------	----------------------	---

E-5 : RIGHT CRANK CASE COVER

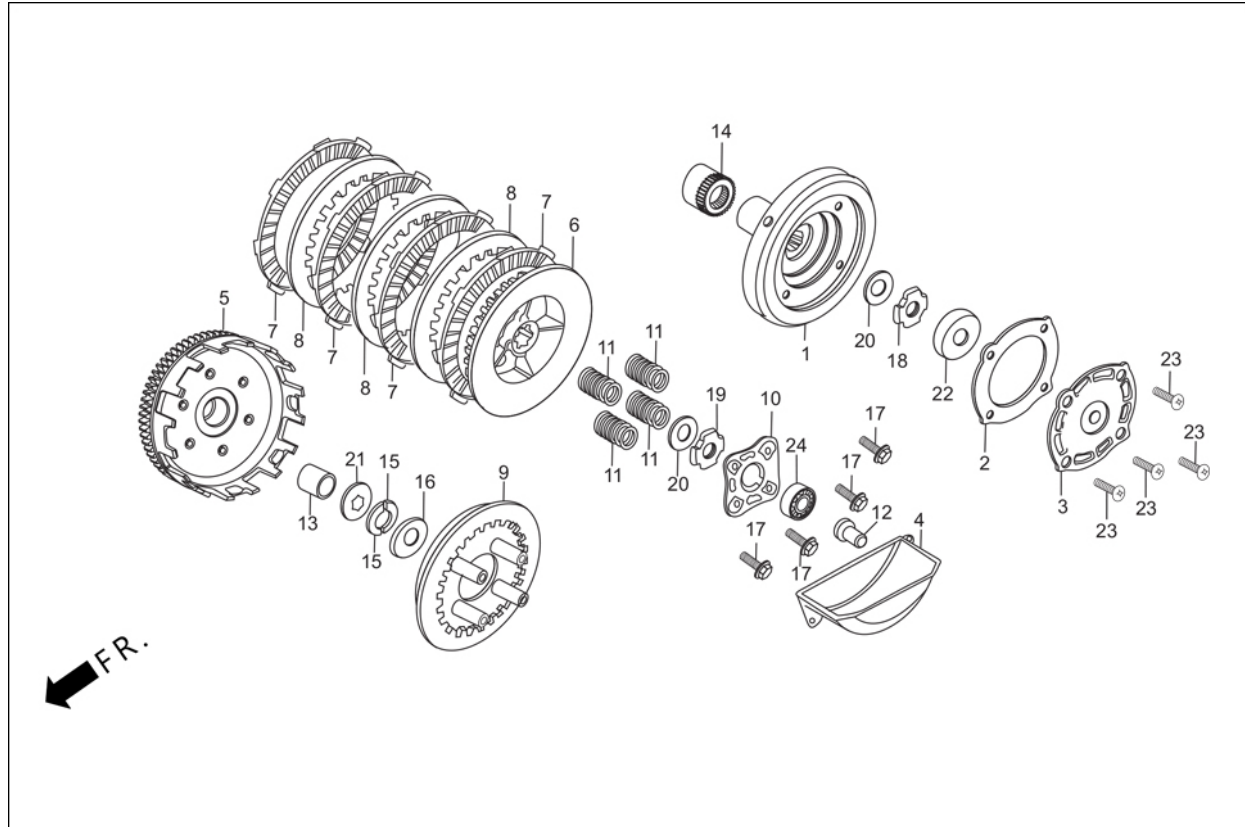


E-5 : RIGHT CRANK CASE COVER

Group Number: E-5 **Model ::** Passion Pro (Aug, 2015)

Ref No.	Part Number	Description	Req.
1	11330-AAC-H00	COVER COMP,R CRANK CASE	1
2	11394-AAH-00099	GASKET R CRANK CASE COVER	1
3	15650-AAC-H00	GAUGE OIL LEVEL	1
4	22810-198-000	LEVER COMP.,CLUTCH	1
5	22815-166-000	SPRING, CLUTCH LEVER	1
	22815-166-000	SPRING, CLUTCH LEVER	1
6	90702-GB6-910	PIN, DOWEL,8 X 12	2
	90702-GB6-910	PIN, DOWEL,8 X 12	2
7	91202-302-010	OIL SEAL, 13.8 X 24 X 5	1
8	91303-719-000	O-RING,9 MM	1
	91303-719-000	O-RING,9 MM	1
9	91307-035-000	O-RING,18 X 3	1
	91307-035-000	O-RING,18 X 3	1
10	96001-06040-00	BOLT, FLANGE, SH. 6 X 40	5
	96001-06040-00	BOLT, FLANGE, SH. 6 X 40	5
11	96001-06065-00	BOLT, FLANGE, SH. 6 X 65	2
12	96001-06080-00	BOLT, FLANGE, SH. 6 X 80	1

E-6 : CLUTCH



E-6 : CLUTCH

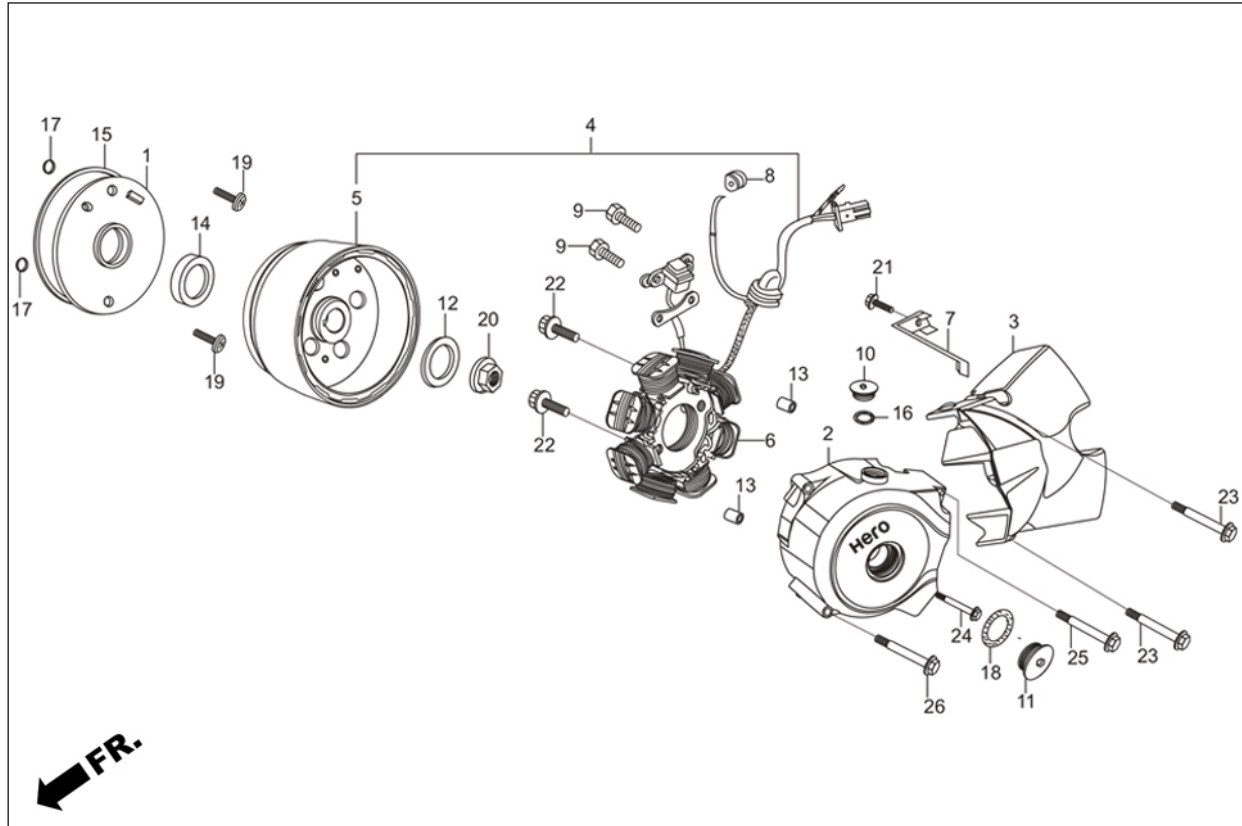
Group Number: E-6 **Model ::** Passion Pro (Aug, 2015)

Ref No.	Part Number	Description	Req.
1	15431-198-000	ROTOR, OIL FILTER	1
2	15439-AAH-00099	GASKET ROTOR OIL FILTER	1
3	15441-198-000	COVER, OIL FILTER ROTOR	1
4	15661-198-000	PLATE, OIL SEPARATOR	1
5	22110-AAH-H40	OUTER COMP.CLUTCH	1
6	22121-198-900	CENTER, CLUTCH	1
7	22201-GF6-000	DISC, CLUTCH FRICTION	4
8	22311-107-000	PLATE, CLUTCH	3
9	22350-115-020	PLATE, CLUTCH PRESSURE	1
10	22361-KST-940	PLATE, CLUTCH LIFTER	1
11	22401-GF6-000	SPRING, CLUTCH	4
12	22847-KCC-900	ROD, CLUTCH LIFTER	1
	22847-KCC-900	ROD, CLUTCH LIFTER	1
13	23112-AAJ-H10	COLLAR DRIVEN GEAR	1
14	23121-KST-901	GEAR , PRIMARY DRIVE (18T)	1
15	23216-GF6-000	COTTER, MAINSHAFT	2
16	23217-GF6-000L	SET RING MAIN SHAFT	1
17	90050-KFL-850	SPECIAL BOLT FLANGE 6 X 25	4
18	90231-087-010	NUT, LOCK, 14 MM	1
	90231-087-010	NUT, LOCK, 14 MM	1

E-6 : CLUTCH

19	90231-198-000	NUT B LOCK ,14MM	1
20	90432-086-000	WASHER `B LOCK	2
	90432-086-000	WASHER `B LOCK	2
21	90461-GF6-000	WASHER, SPLINE, 17 MM	1
22	91205-350-000	OIL SEAL , 6 X 25 X 6	1
23	93600-05012-1H	SCREW, FLAT, 5 X 12	4
24	96100-60010-00	BEARING , RADIAL BALL , 6001	1
	96100-60010-00	BEARING , RADIAL BALL , 6001	1

E-7-KICK : LEFT CRANK CASE COVER / A.C. GEN.ASSY.



E-7-KICK : LEFT CRANK CASE COVER / A.C. GEN.ASSY.

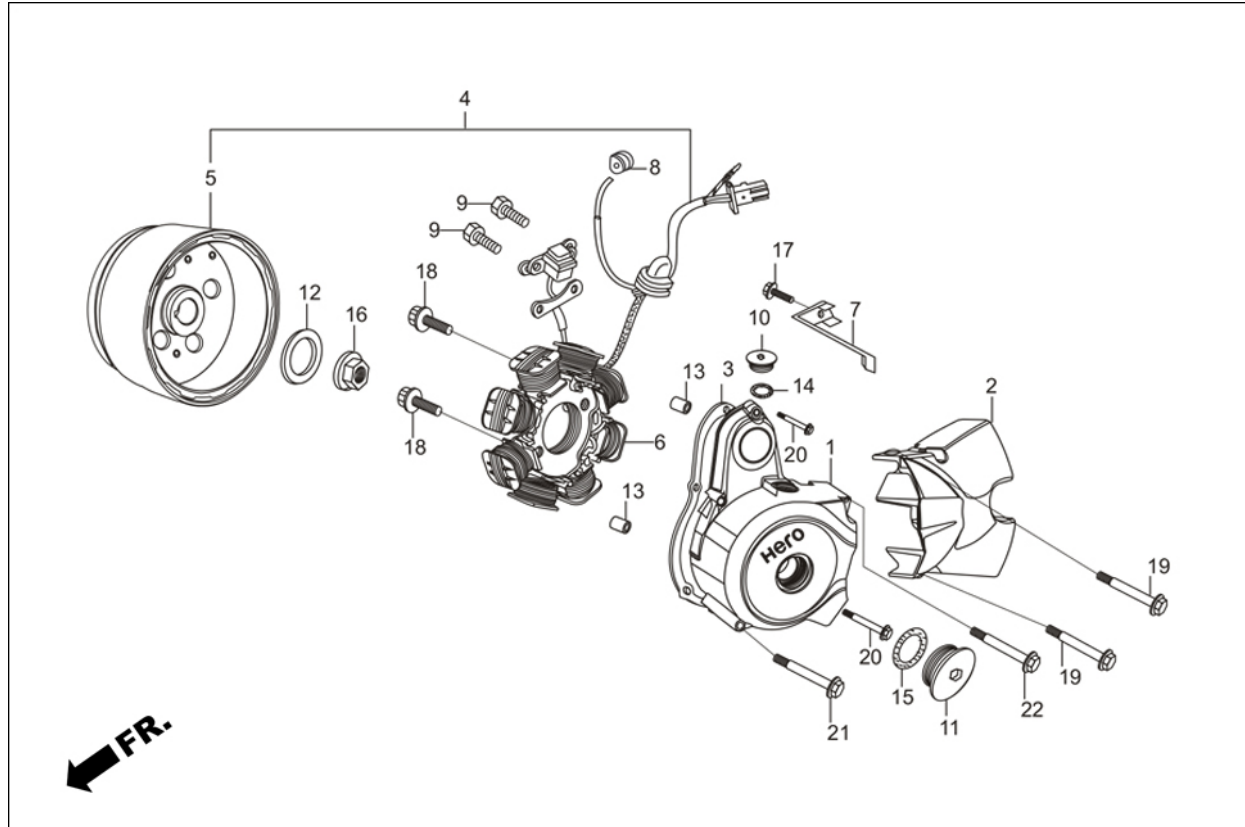
Group Number: E-7-KICK Model :: Passion Pro (Aug, 2015)

Ref No.	Part Number	Description	Req.
1	11321-KST-940	PLATE, OIL SEPERATOR	1
2	11341-AAC-000	COVER LCRANK CASE	1
3	11360-KWA-930	COVER RR L CRANK CASE	1
4	31100-AAC-201	AC GEN ASSY	1
5	31110-KWA-931	FLYWHEEL COMP.	1
6	31120-AAC-201	STATOR, COMP	1
7	32961-KST-940	CLAMPER ACG CORD	1
8	32981-GB4-780	GORMMET NEUTRAL SWITCH CORD	1
9	90083-KVH-900	BOLT, KNOCK, 5 MM	2
10	90084-KWA-930	CAP 14 MM	1
	90084-KWA-930	CAP 14 MM	1
11	90087-KWA-930	CAP 30MM	1
12	90410-HC4-000	WASHER ,10MM	1
13	90702-GB6-910	PIN, DOWEL,8 X 12	2
	90702-GB6-910	PIN, DOWEL,8 X 12	2
14	91202-KTL-741	OIL SEAL 19×30×5	1
15	91301-035-000	O RING, 107 X2	1
16	91303-377-000	O-RING, 13.8 X 2.5	1
	91303-377-000	O-RING, 13.8 X 2.5	1
17	91317-171-000	O RING, 6 X 1.7	2

E-7-KICK : LEFT CRANK CASE COVER / A.C. GEN.ASSY.

18	91356-KGH-901	O-RING, 30 MM	1
19	93600-06016-0A	SCREW, FLAT, 6X16	2
20	94050-10000	NUT, FLANGE, 10MM	1
	94050-10000	NUT, FLANGE, 10MM	1
21	96001-06016-00	BOLT, FLANGE SH. 6 X 16	1
22	96001-06020-00	BOLT, FLANGE, SH. 6 X 20	2
23	96001-06028-00	BOLT, FLANGE, SH. 6X28	2
24	96001-06032-00	BOLT, FLANGE, SH., 6 X 32	1
25	96001-06060-00	BOLT, FLANGE, SH. 6 X 60	1
26	96001-06070-00	BOLT, FLANGE, SH., 6X70	1

E-7A-SELF : LEFT CRANK CASE COVER / A.C. GEN.ASSY.



E-7A-SELF : LEFT CRANK CASE COVER / A.C. GEN.ASSY.

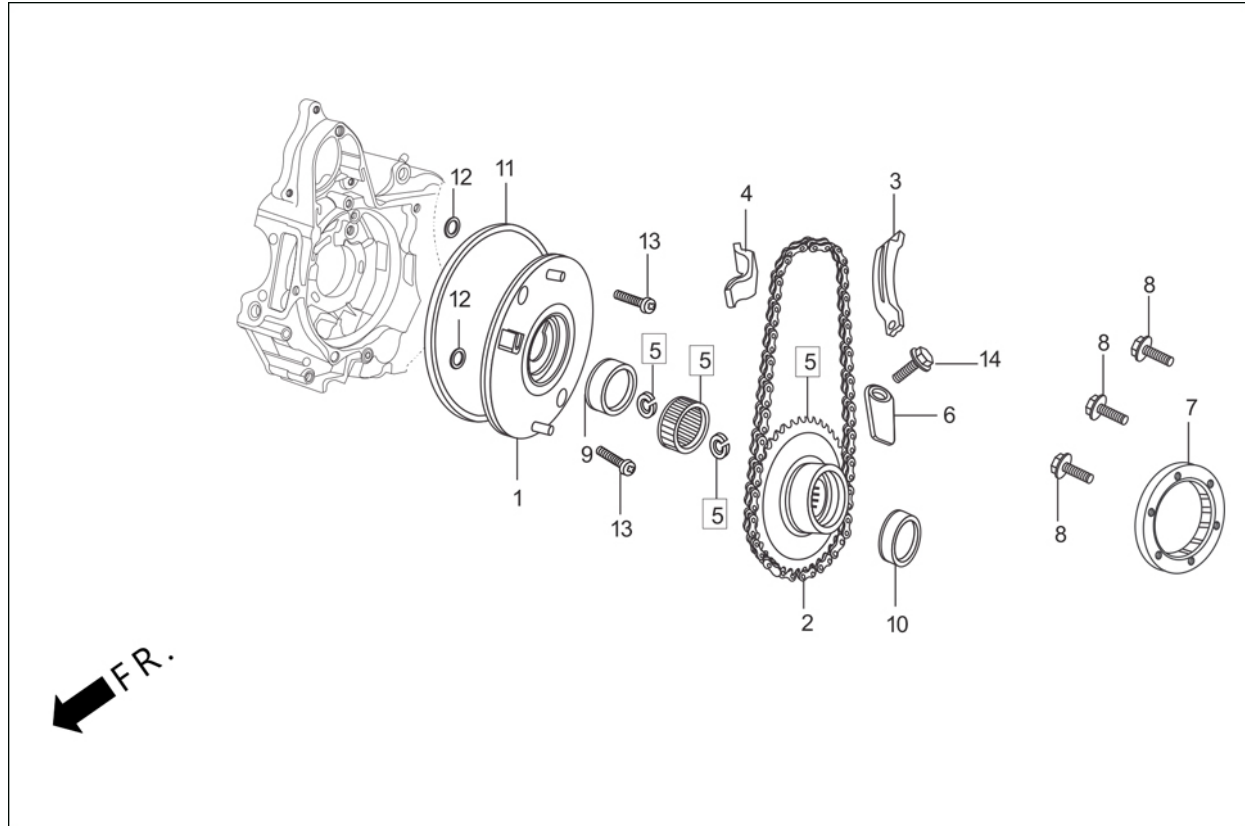
Group Number: E-7A-SELF Model :: Passion Pro (Aug, 2015)

Ref No.	Part Number	Description	Req.
1	11341-AAC-010	COVER LCRANK CASE	1
2	11360-KWA-930	COVER RR L CRANK CASE	1
3	11395-AAH-000	GASKET L CRANK CASE COVER	1
4	31100-AAC-211	A.C.GEN. ASSY.	1
5	31110-AAC-211	FLYWHEEL, COMP	1
6	31120-AAC-201	STATOR, COMP	1
7	32961-KST-940	CLAMPER ACG CORD	1
8	32981-GB4-780	GORMMET NEUTRAL SWITCH CORD	1
9	90083-KVH-900	BOLT, KNOCK, 5 MM	2
10	90084-KWA-930	CAP 14 MM	1
	90084-KWA-930	CAP 14 MM	1
11	90087-KWA-930	CAP 30MM	1
12	90410-HC4-000	WASHER ,10MM	1
13	90702-GB6-910	PIN, DOWEL,8 X 12	2
	90702-GB6-910	PIN, DOWEL,8 X 12	2
14	91303-377-000	O-RING, 13.8 X 2.5	1
	91303-377-000	O-RING, 13.8 X 2.5	1
15	91356-KGH-901	O-RING, 30 MM	1
16	94050-10000	NUT, FLANGE, 10MM	1
	94050-10000	NUT, FLANGE, 10MM	1

E-7A-SELF : LEFT CRANK CASE COVER / A.C. GEN.ASSY.

17	96001-06016-00	BOLT, FLANGE SH. 6 X 16	1
18	96001-06020-00	BOLT, FLANGE, SH. 6 X 20	2
19	96001-06028-00	BOLT, FLANGE, SH. 6X28	2
20	96001-06032-00	BOLT, FLANGE, SH., 6 X 32	2
21	96001-06050-00	BOLT, FLANGE, SH. 6 X 50	1
22	96001-06070-00	BOLT, FLANGE, SH., 6X70	1

E-7B-SELF : STARTING CLUTCH

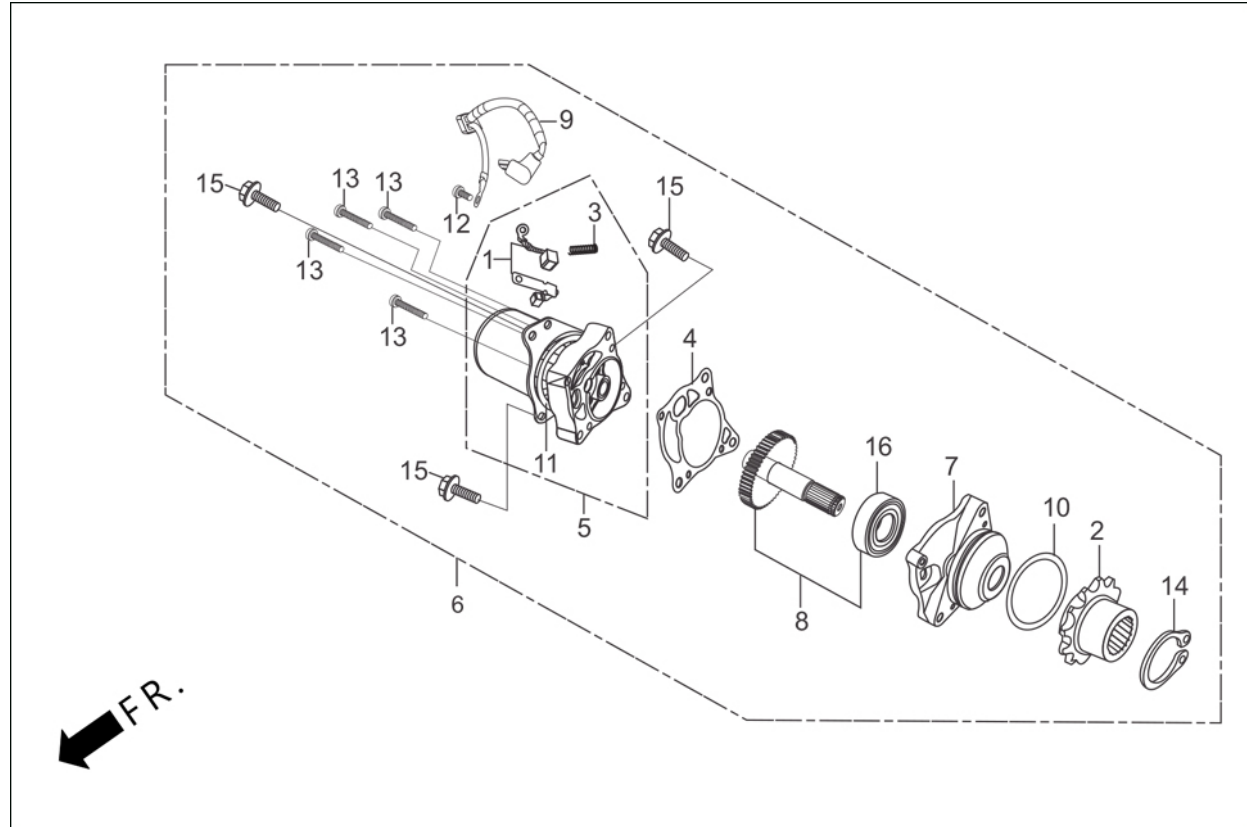


E-7B-SELF : STARTING CLUTCH

Group Number: E-7B-SELF Model :: Passion Pro (Aug, 2015)

Ref No.	Part Number	Description	Req.
1	11321-KWA-940	PLATE OIL SEPARATE	1
2	28101-KWA-940	CHAIN STARTING	1
3	28102-KWA-940	GUIDE STARTER CHAIN	1
4	28103-GB4-700	PROTECTOR STARTER CHAIN	1
5	28110-AAD-H40	SPROCKET COMP. STARTING	1
6	28117-KFL-850	SET PLATE STARTING SPROKET	1
7	28120-KWA-942	OUTER COMP. STARTING CLUTCH	1
8	90085-KWA-940	BOLT, SOCKET 6MM	3
9	91201-GBG-900	OIL SEAL 30×42×4.5	1
10	91204-GBG-850	OIL SEAL 18.9×28×5	1
11	91301-035-000	O RING, 107 X2	1
12	91317-171-000	O RING, 6 X 1.7	2
13	93600-06016-0A	SCREW, FLAT, 6X16	2
14	96001-06010-00	BOLT FLANGE SH. 6×10	1

E-7C-SELF : STARTER MOTOR

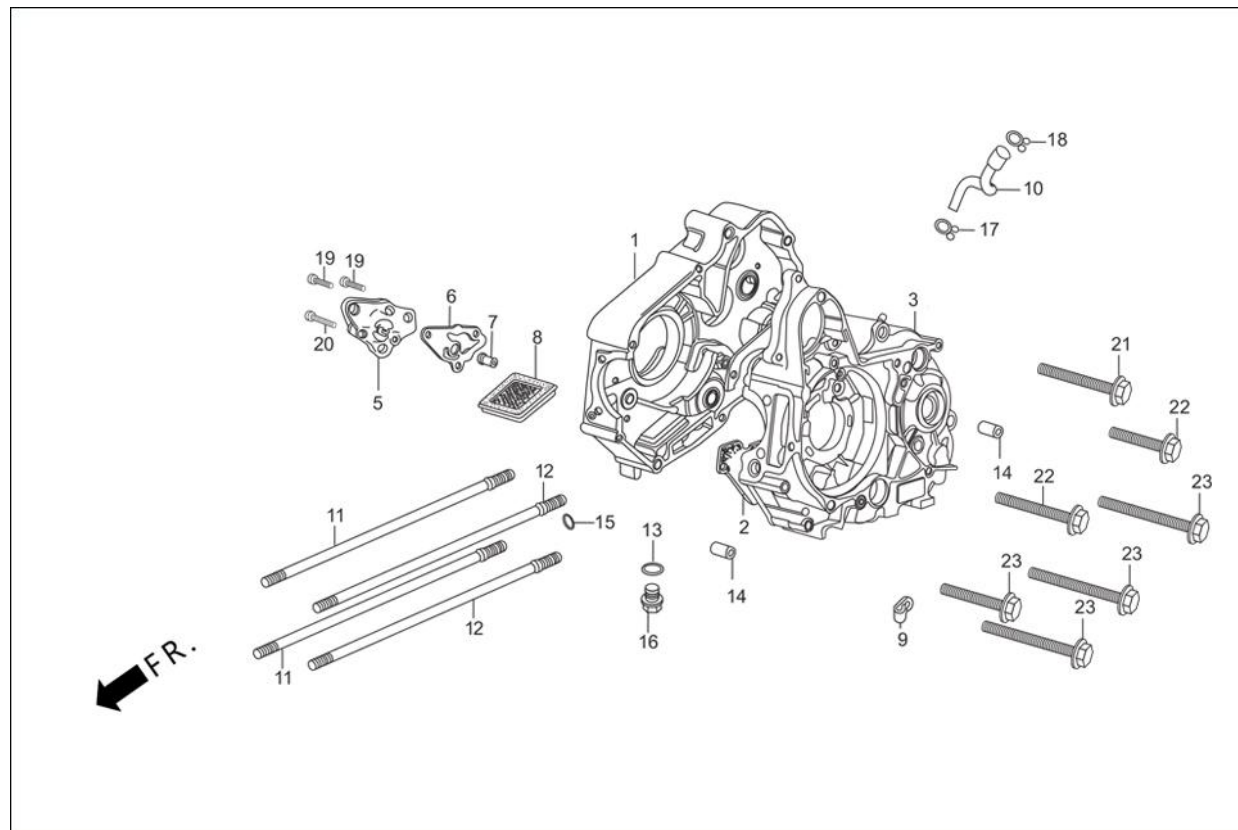


E-7C-SELF : STARTER MOTOR

Group Number: E-7C-SELF Model :: Passion Pro (Aug, 2015)

Ref No.	Part Number	Description	Req.
1	31201-KG8-004	BUSH SET	1
2	31202-GB2-700L	SPROCKET	1
3	31204-KG8-004	BRUSH, SPRING	2
4	31205-KWA-941	PACKING	1
5	31208-KWA-941	MOTOR ONLY	1
6	31210-KWA-94099	MOTOR UNIT START	1
	31210-KWA-94099	MOTOR UNIT START	1
7	31211-KWA-941	CASE A FRONT	1
8	31213-GB4-701L	GEAR COMP., DRIVEN	1
9	32410-KVH-871	SUB HARNESS A	1
10	91308-GB4-701L	O-RING A	1
11	91309-GB2-701L	O-RING B	1
12	93892-04006-08L	SCREW WASH 4X6	1
13	93892-05030-08L	SCREW, WASH., 5X30	4
14	94510-12000L	CIRCLIP, EXTERNAL, 12 MM	1
15	96001-06045-00	BOLT, FLANGE, SH. 6 X 45	3
	96001-06045-00	BOLT, FLANGE, SH. 6 X 45	3
16	96120-60010-10L	BEARING, BALL RADIAL	1

E-8-KICK : CRANK CASE / OIL PUMP



E-8-KICK : CRANK CASE / OIL PUMP

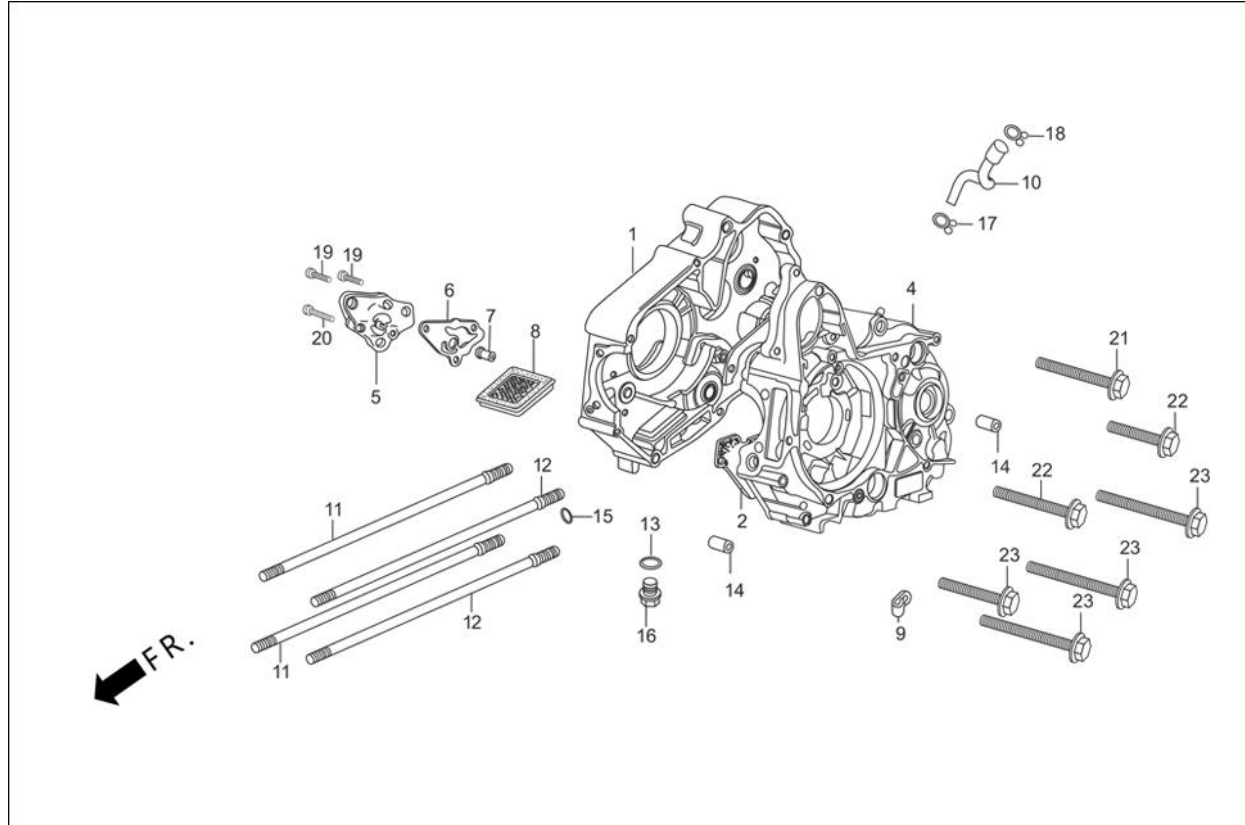
Group Number: E-8-KICK Model :: Passion Pro (Aug, 2015)

Ref No.	Part Number	Description	Req.
1	11100-KWA-900	CRANK CASE COMP., R(BLACK)	1
2	11191-AAH-00099	GASKET CRANK CASE	1
3	11200-KVH-950	CRANK CASE COMP.,L (BILK)	1
5	15100-KCC-900	PUMP ASSY.,OIL	1
6	15119-178-000	GASKET, OIL PUMP BODY	1
7	15384-178-000	PIVOT, OIL PUMP	1
8	15421-035-010	SCREEN, OIL FILTER	1
	15421-035-010	SCREEN, OIL FILTER	1
9	16236-045-010	CLAMPER, OVER FLOW PIPE	1
10	17371-KWA-940	TUBE BREATHER	1
11	90031-GF6-000R	BOLT A, CYLINDER STUD, 6 X 198 X 7	2
12	90032-GF6-000R	BOLT B, CYLINDER STUD, 6 X 205.5 X 7	2
13	90407-259-000	DRAIN COCK PACKING	1
	90407-259-000	DRAIN COCK PACKING	1
14	90703-HC4-000	DOWEL PIN, 10X14	2
15	91303-GF6-000	PACKING ,RUBBER ,16MM	1
16	92800-12000-00	DRAIN PLUG BOLT	1
	92800-12000-00	DRAIN PLUG BOLT	1
17	95002-02100	CLIP, B-10 TUBE	1
18	95002-80000	CLIP,C12 TUBE	1

E-8-KICK : CRANK CASE / OIL PUMP

19	96001-06016-00	BOLT, FLANGE SH. 6 X 16	2
20	96001-06025-00	BOLT, FLANGE, SH. 6 X 25	1
21	96001-06050-00	BOLT, FLANGE, SH. 6 X 50	1
22	96001-06060-00	BOLT, FLANGE, SH. 6 X 60	2
23	96001-06065-00	BOLT, FLANGE, SH. 6 X 65	4

E-8-SELF : CRANK CASE/OIL PUMP



E-8-SELF : CRANK CASE/OIL PUMP

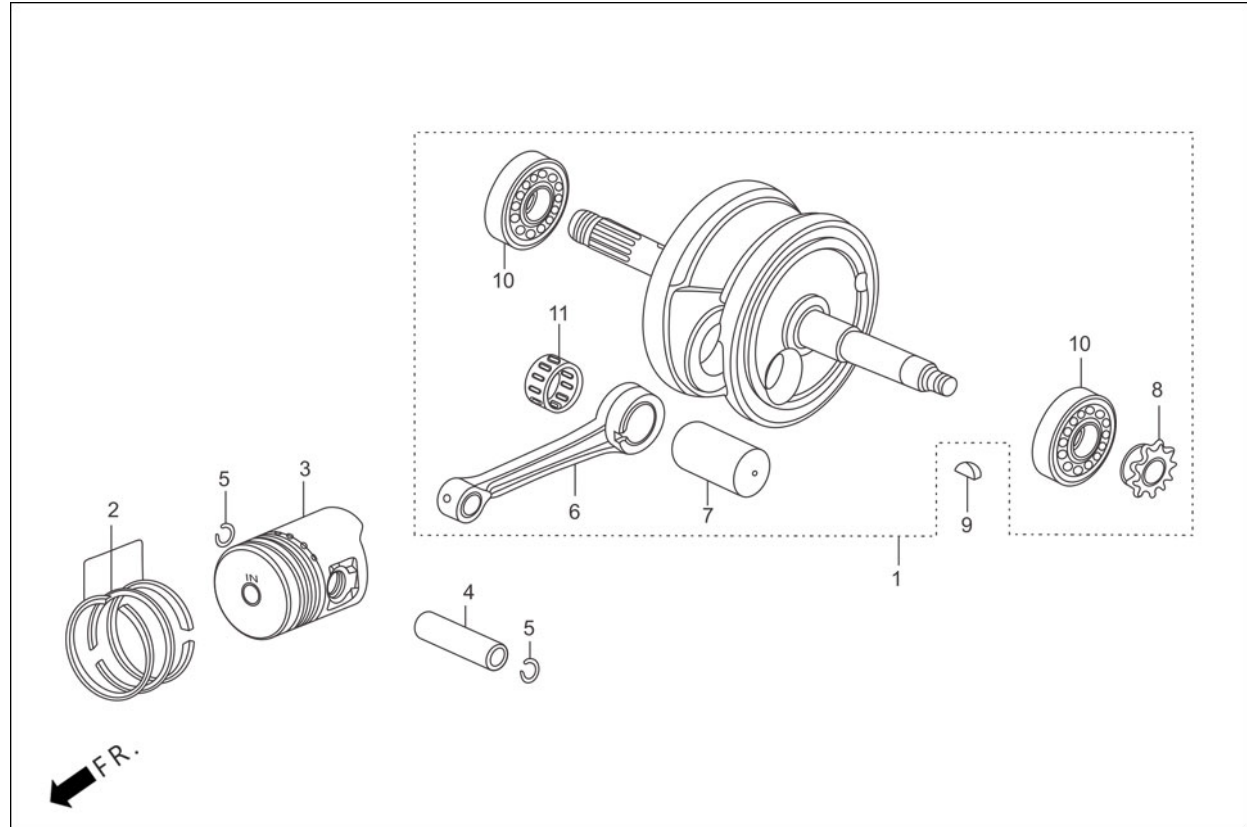
Group Number: E-8-SELF Model :: Passion Pro (Aug, 2015)

Ref No.	Part Number	Description	Req.
1	11100-KWA-900	CRANK CASE COMP., R(BLACK)	1
2	11191-AAH-00099	GASKET CRANK CASE	1
3	11200-KVH-950	CRANK CASE COMP.,L (BILK)	1
5	15100-KCC-900	PUMP ASSY.,OIL	1
6	15119-178-000	GASKET, OIL PUMP BODY	1
7	15384-178-000	PIVOT, OIL PUMP	1
8	15421-035-010	SCREEN, OIL FILTER	1
	15421-035-010	SCREEN, OIL FILTER	1
9	16236-045-010	CLAMPER, OVER FLOW PIPE	1
10	17371-KWA-940	TUBE BREATHER	1
11	90031-GF6-000R	BOLT A, CYLINDER STUD, 6 X 198 X 7	2
12	90032-GF6-000R	BOLT B, CYLINDER STUD, 6 X 205.5 X 7	2
13	90407-259-000	DRAIN COCK PACKING	1
	90407-259-000	DRAIN COCK PACKING	1
14	90703-HC4-000	DOWEL PIN, 10X14	2
15	91303-GF6-000	PACKING ,RUBBER ,16MM	1
16	92800-12000-00	DRAIN PLUG BOLT	1
	92800-12000-00	DRAIN PLUG BOLT	1
17	95002-02100	CLIP, B-10 TUBE	1
18	95002-80000	CLIP,C12 TUBE	1

E-8-SELF : CRANK CASE/OIL PUMP

19	96001-06016-00	BOLT, FLANGE SH. 6 X 16	2
20	96001-06025-00	BOLT, FLANGE, SH. 6 X 25	1
21	96001-06050-00	BOLT, FLANGE, SH. 6 X 50	1
22	96001-06060-00	BOLT, FLANGE, SH. 6 X 60	2
23	96001-06065-00	BOLT, FLANGE, SH. 6 X 65	4

E-9 : CRANKSHAFT/PISTON



E-9 : CRANKSHAFT/PISTON

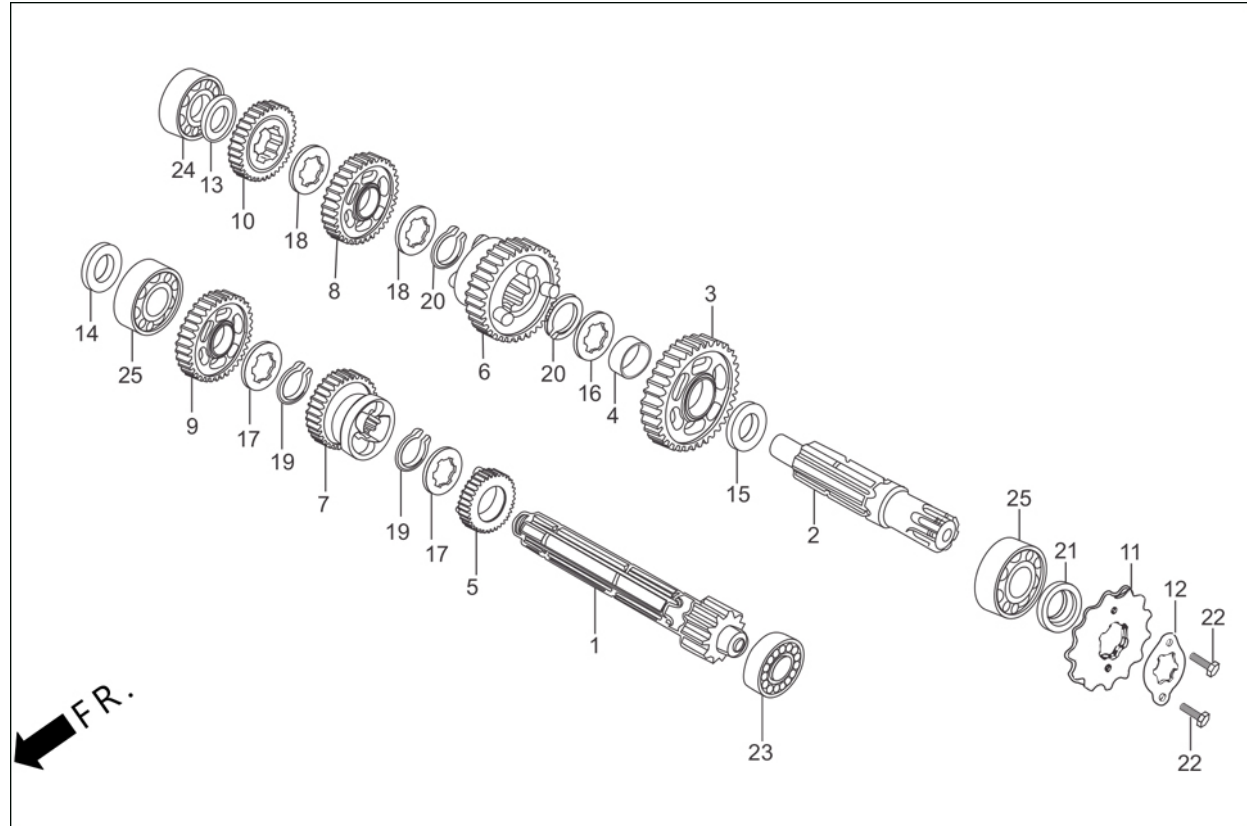
Group Number: E-9 Model :: Passion Pro (Aug, 2015)

Ref No.	Part Number	Description	Req.
1	13000-AAF-000	CRANK SHAFT COMP	1
2	13011-KCC-942	RING SET, PISTON (STD)	1
	13012-KCC-942	RING SET PISTON O/S (.25)	1
	13013-KCC-942	RING SET PISTON O/S (.50)	1
	13014-KCC-942	RING SET PISTON O/S (.75)	1
	13015-KCC-942	RING SET PISTON O/S (1.00)	1
3	13101-KCC-901	PISTON	1
	13102-KCC-315	PISTON(O/S 0.25)	1
	13103-KCC-315	PISTON(O/S 0.5)	1
	13104-KCC-315	PISTON(O/S 0.75)	1
	13105-KCC-315	PISTON(O/S 1.00)	1
4	13111-087-000	PIN, PISTON	1
	13111-087-000	PIN, PISTON	1
5	13115-001-000	CLIP, PISTON PIN	2
	13115-001-000	CLIP, PISTON PIN	2
6	13201-GF6-300	ROD, CONECTING	1
7	13381-KCC-900L	PIN CRANK	1
8	14311-035-000	SPROCKET TIMING	1
9	90741-KFB-000	KEY,WOODRUFF,4 MM	1
	90741-KFB-000	KEY,WOODRUFF,4 MM	1

E-9 : CRANKSHAFT/PISTON

10	91001-GF6-000	BEARING, RADIAL BALL, 6304	2
	91001-GF6-000	BEARING, RADIAL BALL, 6304	2
11	91101-AAF-000	BEARING CONNECTING ROD(REDF)	1
	91102-AAF-000	BEARING CONNECTING ROD(BLUE)	1
	91103-AAF-000	BEARING CONNECTING ROD(WHITE)	1

E-10 : TRANSMISSION



E-10 : TRANSMISSION

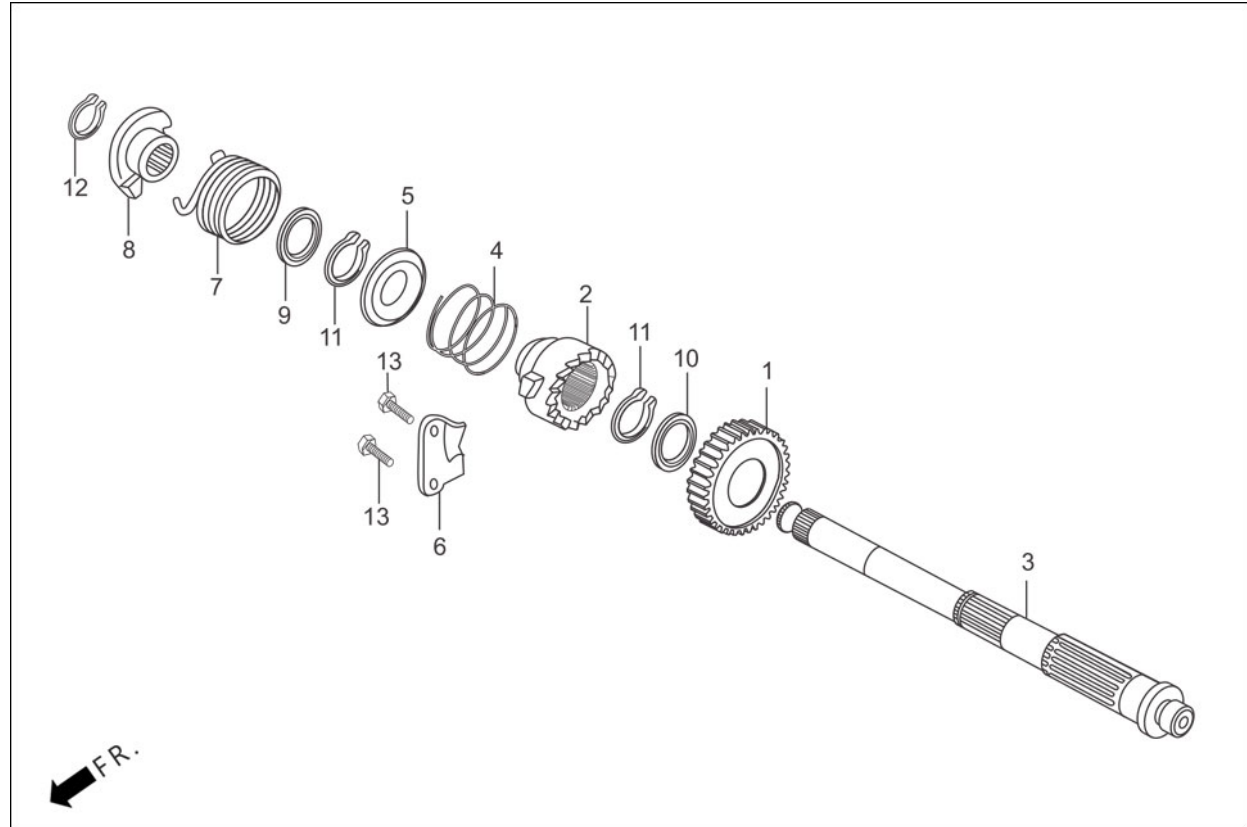
Group Number: E-10 **Model ::** Passion Pro (Aug, 2015)

Ref No.	Part Number	Description	Req.
1	23211-GF6-000	MAIN SHAFT (11T)	1
2	23221-GF6-000	COUNTER SHAFT	1
3	23421-GB4-770	GEAR, COUNTER SHAFT LOW (35T)	1
4	23422-GB4-770	BUSH, 20 X 9	1
5	23431-GN5-910	GEAR, MAIN SHAFT SECOND (17T)	1
6	23441-GB4-770	GEAR, COUNTER SHAFT SECOND (29T)	1
7	23451-GK4-761	GEAR, M3 21T	1
8	23461-GK4-760	GEAR, COUNTER SHAFT THIRD (26T)	1
9	23471-GN5-910	GEAR, MAIN SHAFT FOURTH (24T)	1
10	23481-HF7-000	GEAR, COUNTER SHAFT FOURTH (23T)	1
11	23801-178-000	SPROCKET, DRIVE, (14T)	1
12	23802-040-000	PLATE, DRIVE SPROCKET FIXING	1
13	90451-GF6-000	WASHER THRUST 12MM	1
14	90451-198-000	WASHER, THRUST, 17 MM	1
15	90452-GB4-770	WASHER, THRUST, 17MM	1
	90452-GB4-770	WASHER, THRUST, 17MM	1
16	90461-GB4-770	WASHER, SPLINE, 20 X 1.2	1
	90461-GB4-770	WASHER, SPLINE, 20 X 1.2	1
17	90461-035-000	WASHER, SPLINE, 17 MM	2
18	90461-459-000	WASHER, SPLINE, 20 MM	2

E-10 : TRANSMISSION

19	90601-001-000	CIRCLIP 17MM	2
	90601-001-000	CIRCLIP 17MM	2
20	90601-459-000	CIRCLIP, 20 MM	2
21	91203-GB5-760	OIL SEAL, 17 X 29 X 5	1
22	92000-06008-0H	BOLT HEX., 6 X 8	2
23	96100-60010-00	BEARING , RADIAL BALL , 6001	1
	96100-60010-00	BEARING , RADIAL BALL , 6001	1
24	96100-62010-00	BEARING, RADIAL BALL, 6201	1
	96100-62010-00	BEARING, RADIAL BALL, 6201	1
25	96100-62030-00	BEARING, RADIAL BALL, 6203	2
	96100-62030-00	BEARING, RADIAL BALL, 6203	2

E-11 : KICK STARTER

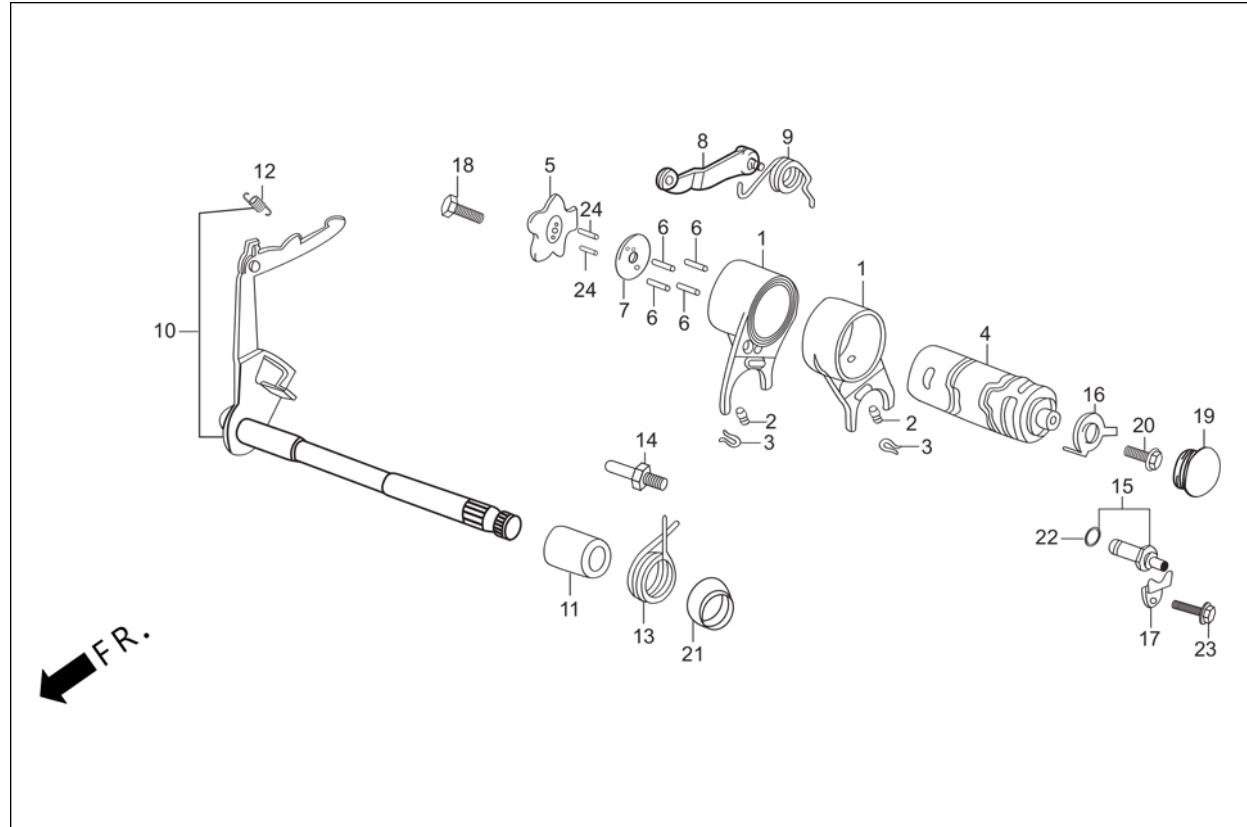


E-11 : KICK STARTER

Group Number: E-11 **Model ::** Passion Pro (Aug, 2015)

Ref No.	Part Number	Description	Req.
1	28211-AAF-000	PINION KICK STARTER	1
2	28221-198-010	RATCHET,KICK STARTER	1
3	28251-GF6-000	SPINDLE, KICK STARTER	1
4	28253-397-000	SPRING, KICK STARTER RATCHET	1
5	28254-198-000	RETAINER, RATCHET SPRING	1
6	28256-198-000	PLATE ,RATCHET GUIDE	1
7	28261-198-000	SPRING, KICK STARTER	1
8	28262-198-000	RETAINER, KICK SPRING	1
9	90452-115-000	WASHER ,17MM	1
10	90454-107-000	WASHER ,THRUST, 20MM	1
	90454-107-000	WASHER ,THRUST, 20MM	1
11	90601-459-000	CIRCLIP, 20 MM	2
12	94510-16000	CIRCLIP, EXTERNAL, 16 MM	1
	94510-16000	CIRCLIP, EXTERNAL, 16 MM	1
13	95701-06020-00	BOLT, FLANGE, 6X20	2
	95701-06020-00	BOLT, FLANGE, 6X20	2

E-12 : GEAR SHIFT



E-12 : GEAR SHIFT

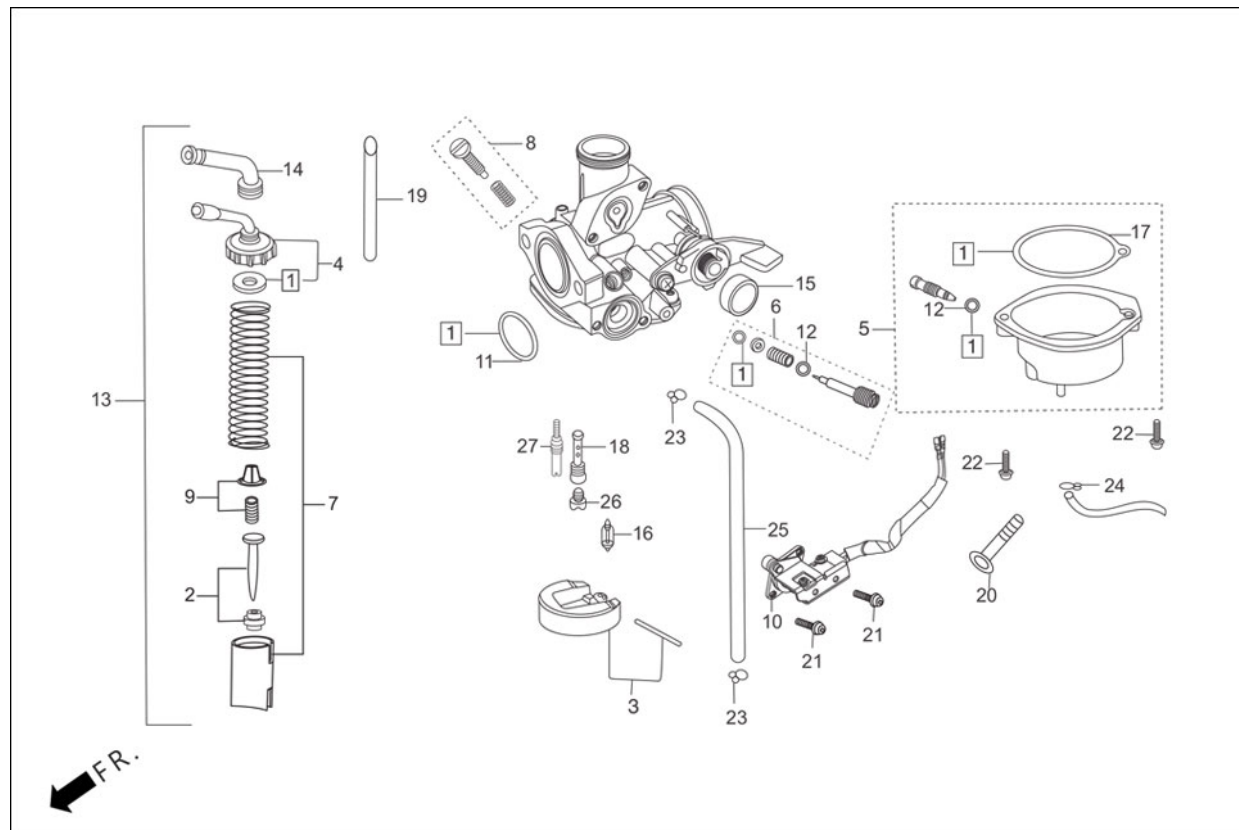
Group Number: E-12 **Model ::** Passion Pro (Aug, 2015)

Ref No.	Part Number	Description	Req.
1	24211-GF6-000R	FORK, GEARSHIFT	2
2	24261-121-742	PIN, GEARSHIFT FORK GUIDE	2
3	24263-028-000	CLIP, GEARSHIFT FORK GUIDE PIN	2
4	24301-KWA-930	DRUM GEAR SHIFT	1
5	24411-198-900	PLATE, SHIFT DRUM STOPPER	1
6	24421-200-000	PIN, GEAR SHIFT DRUM	4
7	24425-198-900	PLATE, SHIFT DRUM SIDE	1
8	24430-KST-900	ARM COMP., SHIFT DRUM STOPPER	1
9	24435-GB4-770	SPRING SHIFTDROM STPR.	1
10	24610-KST-940	SPINDLE COMP., GEAR SHIFT	1
11	24639-035-000L	COLLAR 12.2 MM	1
12	24641-041-000	SPRING ,GEAR SHIFT ARM	1
13	24651-035-000L	SPRING GEARSHIFT REU	1
14	24652-035-000	PIN, SHIFT RETURN SPRING	1
15	35750-001-000	CONTACT ASSY., NEUTRAL SWITCH	1
16	35753-035-010	ROTOR, NEUTRAL SWITCH	1
17	35755-001-000	PLATE, CONTACT FIXING	1
18	90071-171-010	BOLT, KNOCK, 6 MM	1
19	90801-035-000	PLUG, RUBBER, 19MM	1
20	90022-GFP-900	BOLT WASHER 6×16	1

E-12 : GEAR SHIFT

21	91208-KB4-670	OIL SEAL, 11.6 X 24 X 10	1
22	91312-107-000	O -RING, 7 X 1.7	1
23	96001-06012-00	BOLT,FLANGE,SH,.6 X 12	1
	96001-06012-00	BOLT,FLANGE,SH,.6 X 12	1
24	96220-30085	ROLLER, 3 X 8.5	2
	96220-30085	ROLLER, 3 X 8.5	2

E-13 : CABURETTOR



E-13 : CABURETTOR

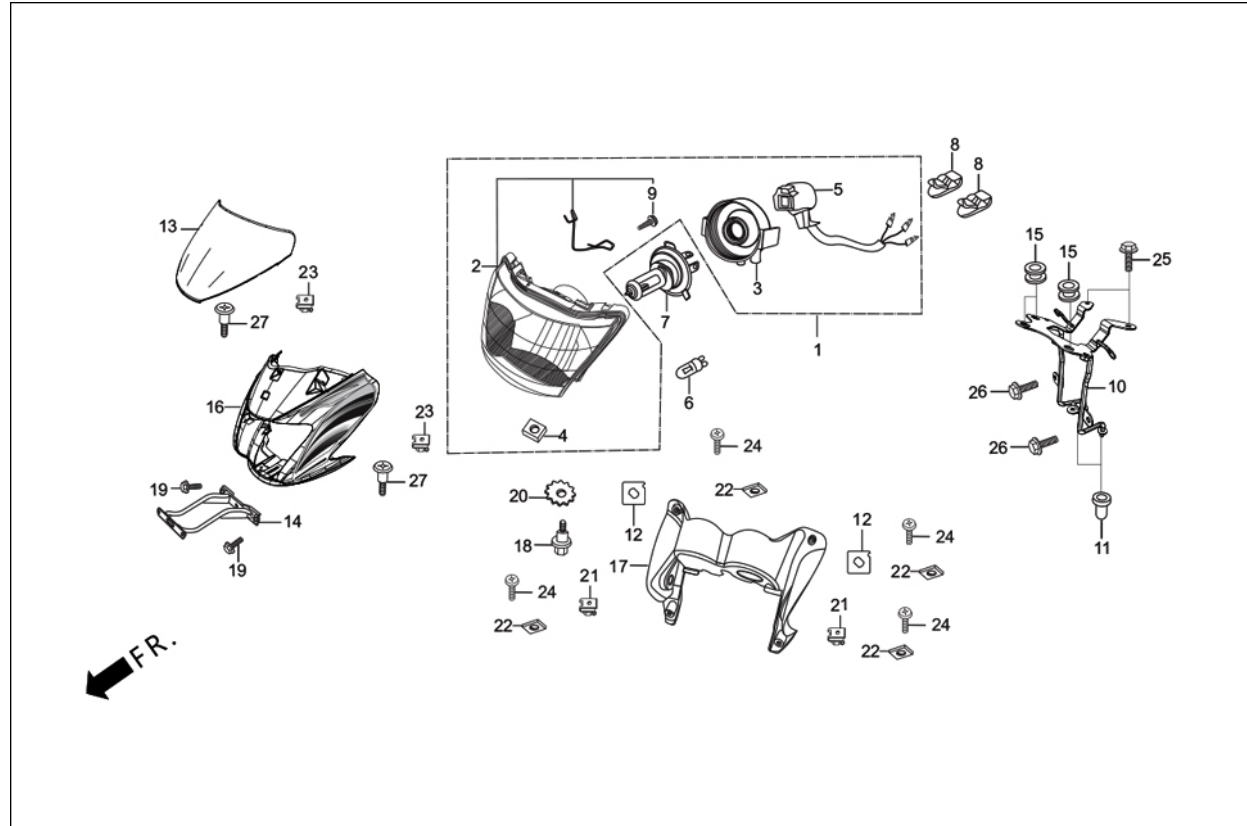
Group Number: E-13 **Model ::** Passion Pro (Aug, 2015)

Ref No.	Part Number	Description	Req.
1	16010-KWA-931	GASKET SET	1
2	16012-KWA-931	NEEDLE SET JET	1
3	16013-KRB-901	FLOAT, SET	1
4	16014-KPH-901	TOP SET	1
5	16015-KVW-921	CHAMBER SET, FLOAT	1
6	16016-KPH-651	SCREW SET	1
7	16022-KWA-931	VALVE SET THROTTLE	1
8	16028-KPH-901	SCREW, SET	1
9	16037-KPH-901	PLATE SET, VALVE	1
10	16060-KWA-933	SWITCH ASSY. THROTTLE	1
11	16075-KTC-901	O-RING	1
12	16076-KPL-901	O-RING	2
13	16100-KVH-762	CARBURETTOR ASSY	1
14	16118-KST-901	CAP,CABLE SEALING	1
15	16148-KPL-901	CAP,CHOKE LEVER DUST	1
16	16155-KRS-861	VALVE COMP., FLOAT	1
17	16163-GFP-901	GASKET FLOAT CHAMBER	1
18	16165-KWA-931	HOLDER NEEDLE JET	1
19	16199-KWA-931	TUBE AIR VENT	1
20	35701-KWA-931	BAND	1

E-13 : CABURETTOR

21	93892-04010-10	SCREW, WASH, 4X10	2
22	93892-04014-18	SCREW, WASH, 4 X 14	2
23	95002-02089	CLIP, B1 8 TUBE	2
24	95002-02659	CLIP, B-1, 6.5 TUBE	1
25	95005-35260-50	TUBE OVERFLOW	1
26	99101-KWA-1050	JET, MAIN #105	1
27	99103-KTC-0350	JET, SLOW#35	1

F-1 : HEAD LIGHT /FR.VISOR



F-1 : HEAD LIGHT /FR.VISOR

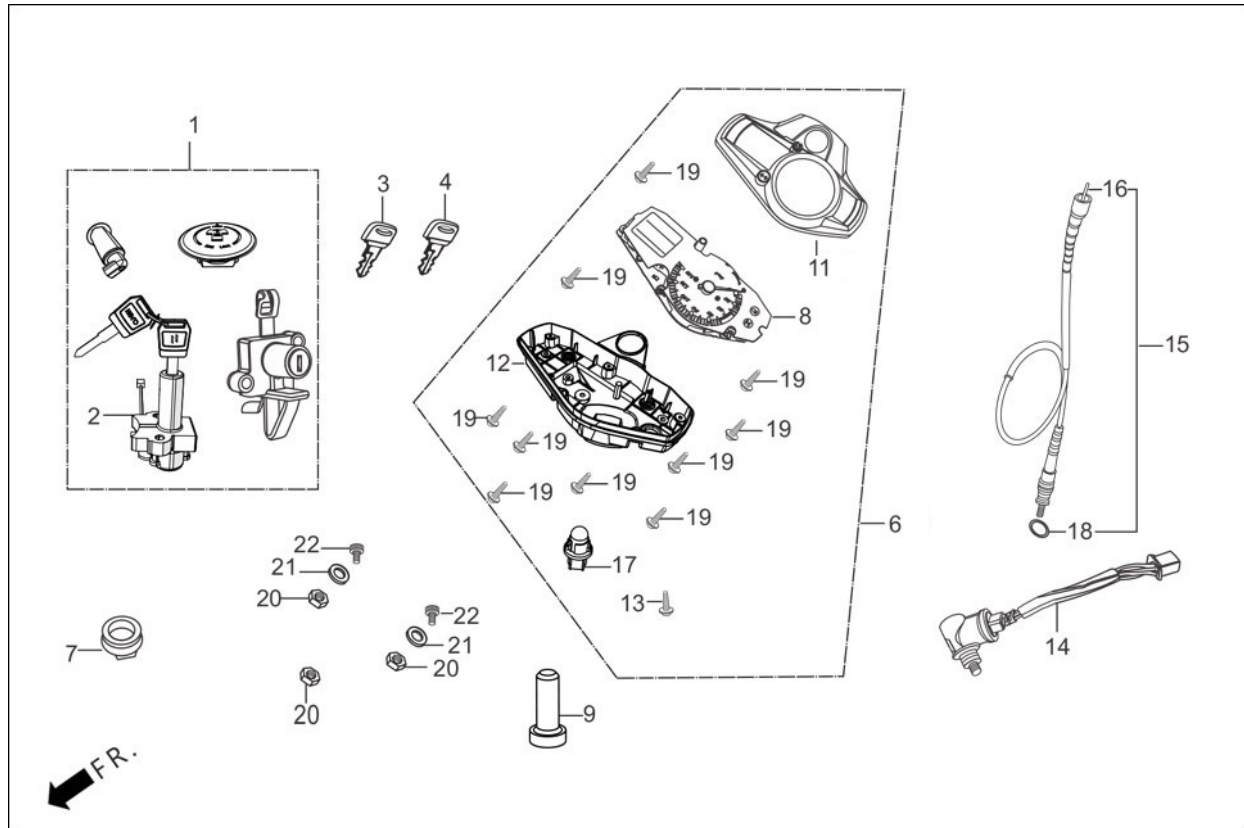
Group Number: F-1 **Model ::** Passion Pro (Aug, 2015)

Ref No.	Part Number	Description	Req.
1	3310B-AAC-20099	LIGHT ASSY., HEAD (W/O BULB)	1
2	33120-AAC-20099	UNIT, HEAD LIGHT	1
3	33126-KCC-730	RUBBER COVER	1
4	33128-GBL-000	NUT, SPECIAL	1
5	33130-KWA-831	SOCKET COMP., HEAD LIGHT	1
6	33301-KVE-900	BULB, WEDGE BASE (T10, 12V-5W)	1
	33301-KVE-900	BULB, WEDGE BASE (T10, 12V-5W)	1
7	34901-KSP-910	BULB, HEAD LIGHT	1
	34901-KSP-910	BULB, HEAD LIGHT	1
8	53209-GAH-000	CLIP, HEADLIGHT	2
	53209-GAH-000	CLIP, HEADLIGHT	2
9	93901-44220	SCREW, TAPPING,4X10	1
10	61311-AAC-200	STAY FR. VISOR	1
11	61312-149-300	BOOT, HEADLIGHT BRACKET	2
	61312-149-300	BOOT, HEADLIGHT BRACKET	2
12	61314-AAC-200	STAY WINKER	2
13	64100-AAC-200	SET, WIND SCREEN	1
14	64315-AAC-220	STAY, FRONT NUMBER PLATE	1
15	80101-443-000	RUBBER, RR. FENDER CUSHION	3
	80101-443-000	RUBBER, RR. FENDER CUSHION	3

F-1 : HEAD LIGHT /FR.VISOR

16	83400-AAC-200R	SET, FR VISOR(BLK TYPE-1, NH-1)	1
	83400-AAC-200S	SET, FR VISOR(BLK TYPE-2, NH-1)	1
	83400-AAC-200T	SET, FR VISOR(BLK TYPE-3, NH-1)	1
	83400-AAC-200U	SET, FR VISOR(SRD, R-321)	1
	83400-AAC-200V	SET, FR VISOR(BYM, YL-002M)	1
	83400-AAC-200W	SET, FR VISOR(FSM, NH-411M)	1
	83400-AAC-200X	SET, FR VISOR(PFW, NH-341P)	1
	83400-AAC-200Y	SET, FR VISOR(MBM, RD-018M)	1
17	83402-AAC-220	PANNEL, INNER	1
18	90101-GJ6-000	BOLT, ADJUST	1
	90101-GJ6-000	BOLT, ADJUST	1
19	90111-147-000	BOLT, FLANGE, 6MM	2
20	90307-GJ6-000	WASHER, LOCK, 6 MM	1
	90307-GJ6-000	WASHER, LOCK, 6 MM	1
21	90311-KVH-900	NUT CLIP 6 MM	2
22	90320-GC3-000	NUT, SPRING, M5	4
23	90677-KAN-961	NUT CLIP 5MM	2
24	91509-GE2-760	SCREW, WASHER, 5 X 11.5	4
25	96001-06010-00	BOLT FLANGE SH. 6×10	2
26	96001-06016-07	BOLT, FLANGE, SH. 6 X 16	2
27	93903-35280	SCREW, TAPPING, 5 X 12	2

F-2-DISC : SPEEDOMETER/CABLE/KEY SET

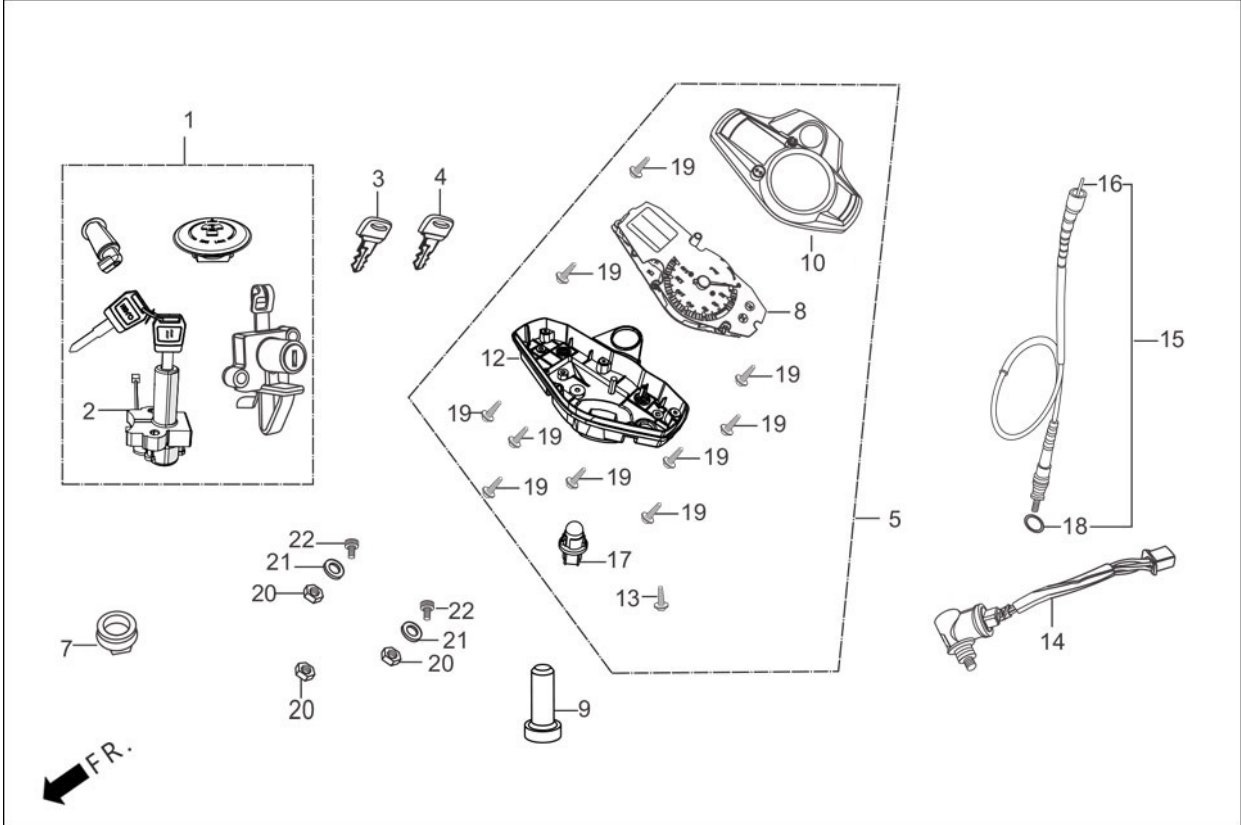


F-2-DISC : SPEEDOMETER/CABLE/KEY SET

Group Number: F-2-DISC Model :: Passion Pro (Aug, 2015)

Ref No.	Part Number	Description	Req.
1	35010-AAC-200	KEY SET	1
2	35100-AAC-H01	SWITCH ASSY COMB & LOCK	1
3	35121-AAC-H30	KEY BLANK NO 1	1
4	35122-AAC-H30	KEY BLANK NO 2	1
6	37100-AAC-04099	METER ASSY.COMB.	1
7	37105-KRJ-901	CAP	1
8	37210-AAC-021	SPEEDOMETER COMP	1
9	37202-AAC-021	ROD SW EXTENSION	1
11	37211-AAC-041	CASE UPPER ASSY	1
12	37212-AAC-021	CASE UNDER ASSY	1
13	37214-KV7-671	SCREW, TAPPING, 3 X 12	1
14	37700-KWA-830	SPEED, SENSOR ASSY.	1
15	44830-AAC-000	CABLE COMP. SPDMT.	1
16	44830-KWA-830A	CABLE INNER	1
17	78135-AAC-021	BULB SOCKET ASSY	1
18	91352-GAZ-930	O-RING 8.5X11.5	1
19	93903-22480	SCREW TAPPING 3 X 16	10
20	94001-06070-0S	NUT, HEX., 6 MM	3
21	94103-06700	WASHER, PLAIN, 6 MM	2
22	96700-08020-00	BOLT SOCKET, 8 MM	2

F-2-DRUM : SPEEDOMETER/CABLE/KEY SET

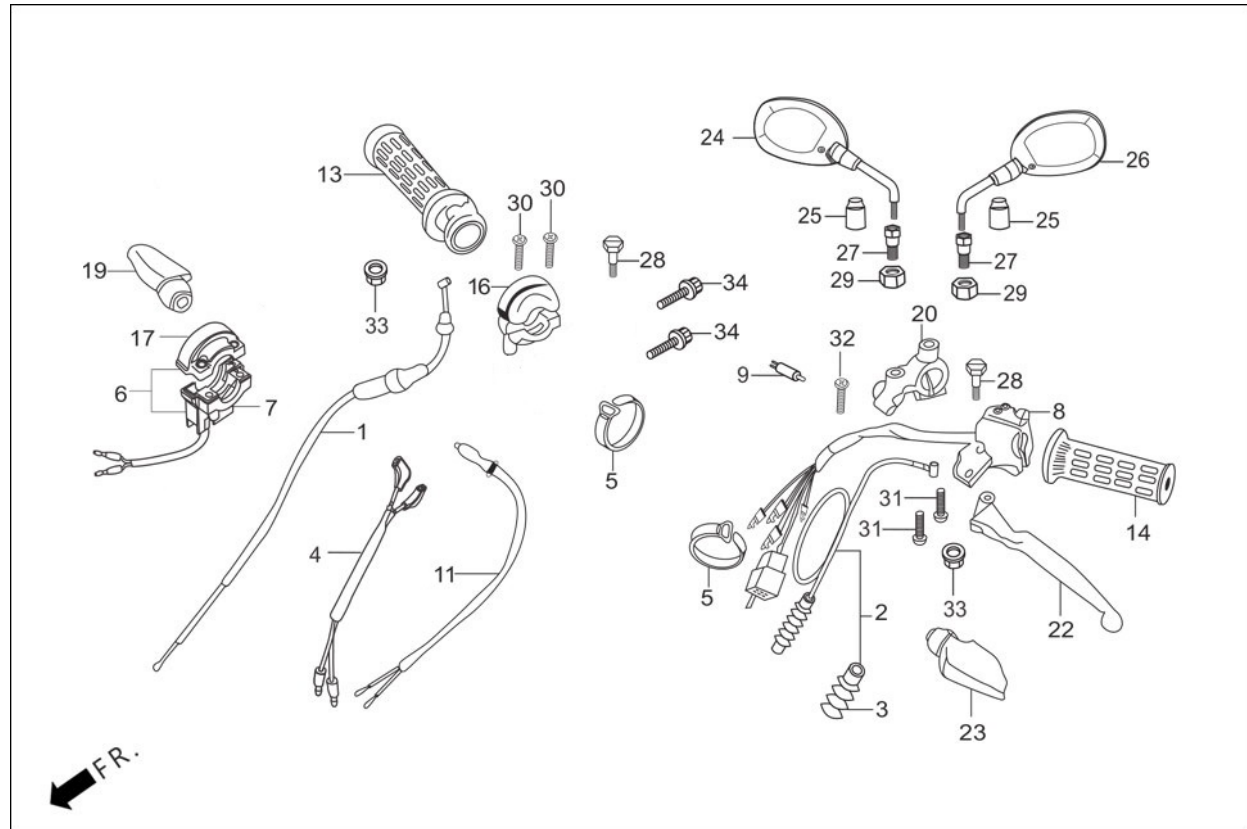


F-2-DRUM : SPEEDOMETER/CABLE/KEY SET

Group Number: F-2-DRUM Model :: Passion Pro (Aug, 2015)

Ref No.	Part Number	Description	Req.
1	35010-AAC-200	KEY SET	1
2	35100-AAC-H01	SWITCH ASSY COMB & LOCK	1
3	35121-AAC-H30	KEY BLANK NO 1	1
4	35122-AAC-H30	KEY BLANK NO 2	1
5	37100-AAC-02099	METER ASSY COMB	1
7	37105-KRJ-901	CAP	1
8	37210-AAC-021	SPEEDOMETER COMP	1
9	37202-AAC-021	ROD SW EXTENSION	1
10	37211-AAC-021	CASE UPPER ASSY	1
12	37212-AAC-021	CASE UNDER ASSY	1
13	37214-KV7-671	SCREW, TAPPING, 3 X 12	1
14	37700-KWA-830	SPEED, SENSOR ASSY.	1
15	44830-AAC-000	CABLE COMP. SPDMT.	1
16	44830-KWA-830A	CABLE INNER	1
17	78135-AAC-021	BULB SOCKET ASSY	1
18	91352-GAZ-930	O-RING 8.5X11.5	1
19	93903-22480	SCREW TAPPING 3 X 16	10
20	94001-06070-0S	NUT, HEX., 6 MM	3
21	94103-06700	WASHER, PLAIN, 6 MM	2
22	96700-08020-00	BOLT SOCKET, 8 MM	2

F-3-DISC-SELF : HANDLE LEVER/SWITCH/CONTROL CABLE



F-3-DISC-SELF : HANDLE LEVER/SWITCH/CONTROL CABLE

Group Number: F-3-DISC-SELF **Model ::** Passion Pro (Aug, 2015)

Ref No.	Part Number	Description	Req.
1	17910-KWA-940	CABLE COMP. THROT.	1
2	22870-KWA-940	CABLE COMP. CLUTCH	1
3	22871-116-670	BOOT, CLUTCH CABLE	1
4	32102-KCC-840	SUB CORD	1
5	32161-404-000	BAND B-1,WIRE	2
6	35150-KWA-841	SWITCH ASSY. START	1
7	35152-KWA-841	SWITCH ASSY., FR. STOP	1
8	35200-AAC-211	SWITCH ASSY., WINKER	1
9	35330-413-003	SW. COMP., FR. LEVER	1
	35330-413-003	SW. COMP., FR. LEVER	1
11	35340-KCC-841	SW. ASSY. FR. STOP.	1
	35340-KCC-841	SW. ASSY. FR. STOP.	1
13	53140-AAC-000	GRIP COMP THROTTLE	1
14	53166-AAC-000	GRIP L HANDLE	1
16	53168-166-000	HOUSING UPPER, THROTTLE	1
17	53168-KWA-841	HOUSING UP., THROTTLE	1
19	53171-KCC-900	COVER R HANDLE LEVER	1
20	53172-KTC-920	BRACKET, L HANDLE LEVER	1
	53172-KTC-920	BRACKET, L HANDLE LEVER	1
22	53178-AAF-H00	LEVER COMP.L STRG.HNDL.	1

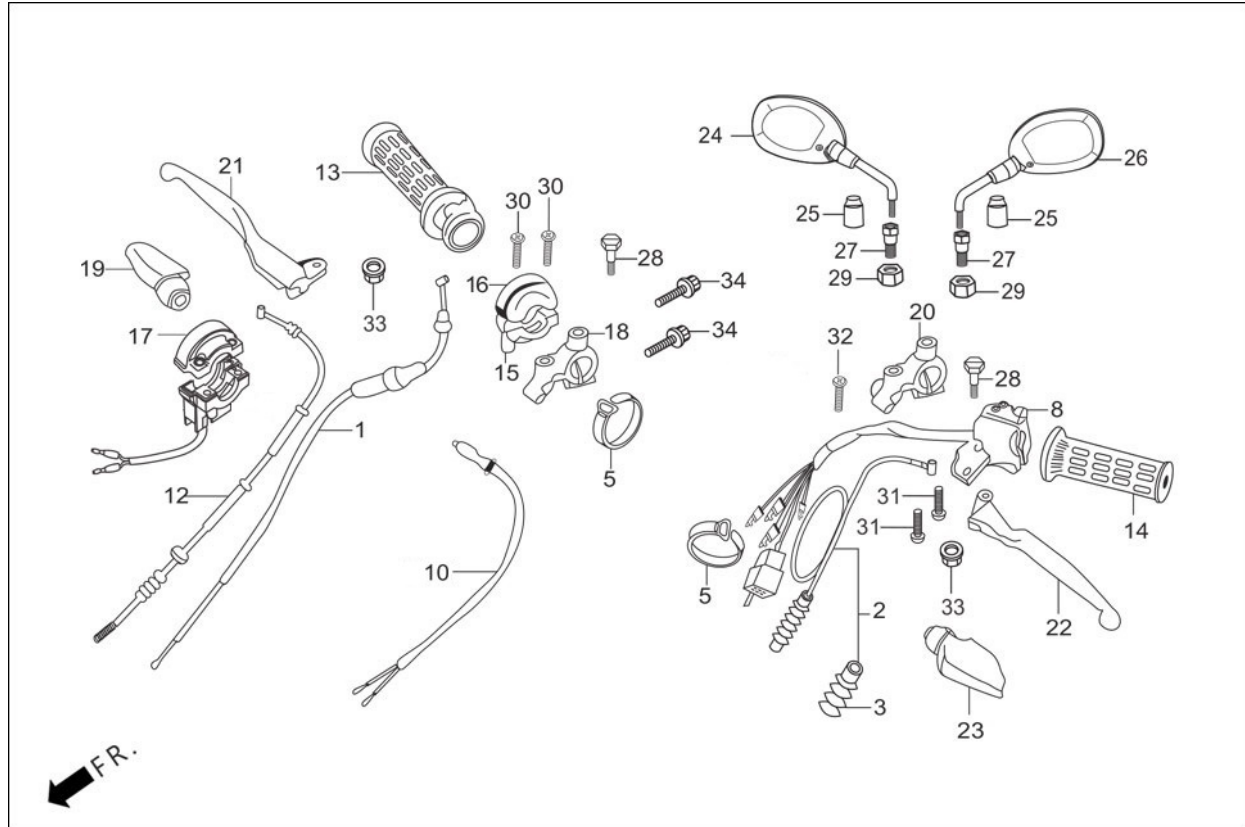
F-3-DISC-SELF : HANDLE LEVER/SWITCH/CONTROL CABLE

	53178-AAF-H00	LEVER COMP.L STRG.HNDL.	1
23	53179-KTC-900	COVER L HANDLE LEVER	1
	53179-KTC-900	COVER L HANDLE LEVER	1
24	88110-AAC-201R	MIRROR ASSY R BACK(BLK , NH-1)	1
	88110-AAC-201U	MIRROR ASSY R BACK(SRD, R-321)	1
	88110-AAC-201V	MIRROR ASSY R BACK(BYM, YL-002M)	1
	88110-AAC-201W	MIRROR ASSY R BACK(FSM, NH-411M)	1
	88110-AAC-201X	MIRROR ASSY R BACK(PFW, NH-341P)	1
	88110-AAC-201Y	MIRROR ASSY R BACK(MBM, RD-018M)	1
25	88114-198-D10	CAP, LOCK NUT	2
	88114-198-D10	CAP, LOCK NUT	2
26	88120-AAC-201R	MIRROR ASSY L BACK(BLK , NH-1)	1
	88120-AAC-201U	MIRROR ASSY L BACK(SRD, R-321)	1
	88120-AAC-201V	MIRROR ASSY L BACK(BYM, YL-002M)	1
	88120-AAC-201W	MIRROR ASSY L BACK(FSM, NH-411M)	1
	88120-AAC-201X	MIRROR ASSY L BACK(PFW, NH-341P)	1
	88120-AAC-201Y	MIRROR ASSY L BACK(MBM, RD-018M)	1
27	90003-KCC-840	BOLT, ADPT.10MM	2
	90003-KCC-840	BOLT, ADPT.10MM	2
28	90114-310-000	BOLT, HANDLE LEVER PIVOT	1
	90114-310-000	BOLT, HANDLE LEVER PIVOT	1
29	90201-MW3-620	NUT, HEX., 10MM	2

F-3-DISC-SELF : HANDLE LEVER/SWITCH/CONTROL CABLE

	90201-MW3-620	NUT, HEX., 10MM	2
30	93500-05020-0G	SCREW, PAN, 5 X 20	2
	93500-05020-0G	SCREW, PAN, 5 X 20	2
31	93500-05022-1G	SCREW, PAN, 5 X 22	2
	93500-05022-1G	SCREW, PAN, 5 X 22	2
32	93901-32220	SCREW TAPPING 3X10	1
33	94050-06000	NUT, FLANGE, 6 MM	2
	94050-06000	NUT, FLANGE, 6 MM	2
34	96001-06025-07	BOLT, FLANGE, SH. 6 X 25	2
	96001-06025-07	BOLT, FLANGE, SH. 6 X 25	2

F-3-DRUM-KICK : HANDLE LEVER/SWITCH/CONTROL CABLE



F-3-DRUM-KICK : HANDLE LEVER/SWITCH/CONTROL CABLE

Group Number: F-3-DRUM-KICK Model :: Passion Pro (Aug, 2015)

Ref No.	Part Number	Description	Req.
1	17910-KWA-940	CABLE COMP. THROT.	1
2	22870-KWA-940	CABLE COMP. CLUTCH	1
3	22871-116-670	BOOT, CLUTCH CABLE	1
5	32161-404-000	BAND B-1,WIRE	2
8	35200-AAC-201	SWITCH ASSY., WINKER	1
10	35340-KCC-900	SWITCH ASSY., FR. STOP	1
	35340-KCC-900	SWITCH ASSY., FR. STOP	1
12	45450-AAD-000	CABLE COMP FR BRAKE	1
13	53140-AAC-000	GRIP COMP THROTTLE	1
14	53166-AAC-000	GRIP L HANDLE	1
15	53167-GE4-000	HOUSING UNDER,THROTTLE	1
16	53168-166-000	HOUSING UPPER, THROTTLE	1
17	53168-KWA-841	HOUSING UP., THROTTLE	1
18	53173-KTR-A20	BRACKET., R. HANDLE LEVER	1
19	53171-KCC-900	COVER R HANDLE LEVER	1
20	53172-KTC-920	BRACKET, L HANDLE LEVER	1
	53172-KTC-920	BRACKET, L HANDLE LEVER	1
21	53175-AAF-H00	LEVER COMP.R STRG.HNDL.	1
22	53178-AAF-H00	LEVER COMP.L STRG.HNDL.	1
	53178-AAF-H00	LEVER COMP.L STRG.HNDL.	1

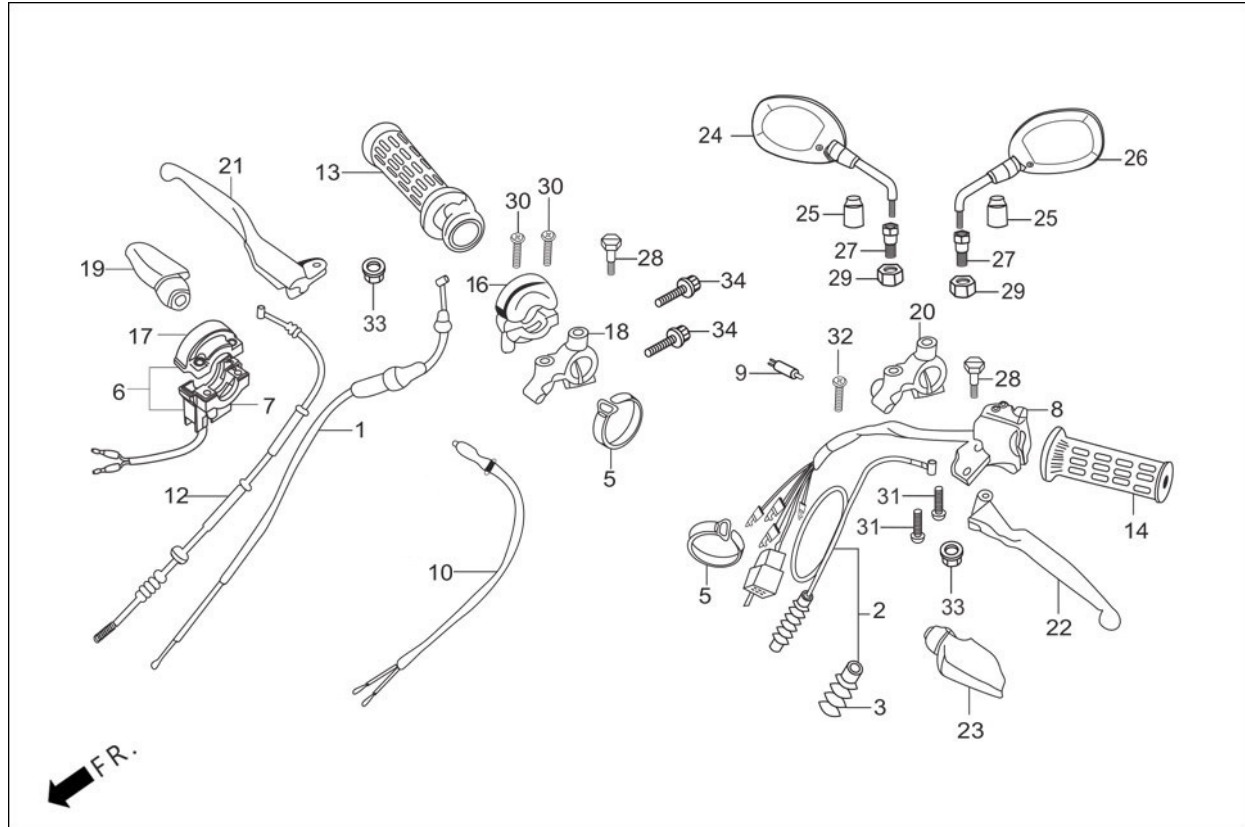
F-3-DRUM-KICK : HANDLE LEVER/SWITCH/CONTROL CABLE

23	53179-KTC-900	COVER L HANDLE LEVER	1
	53179-KTC-900	COVER L HANDLE LEVER	1
24	88110-AAC-201R	MIRROR ASSY R BACK(BLK , NH-1)	1
	88110-AAC-201U	MIRROR ASSY R BACK(SRD, R-321)	1
	88110-AAC-201V	MIRROR ASSY R BACK(BYM, YL-002M)	1
	88110-AAC-201W	MIRROR ASSY R BACK(FSM, NH-411M)	1
	88110-AAC-201X	MIRROR ASSY R BACK(PFW, NH-341P)	1
	88110-AAC-201Y	MIRROR ASSY R BACK(MBM, RD-018M)	1
25	88114-198-D10	CAP, LOCK NUT	2
	88114-198-D10	CAP, LOCK NUT	2
26	88120-AAC-201R	MIRROR ASSY L BACK(BLK , NH-1)	1
	88120-AAC-201U	MIRROR ASSY L BACK(SRD, R-321)	1
	88120-AAC-201V	MIRROR ASSY L BACK(BYM, YL-002M)	1
	88120-AAC-201W	MIRROR ASSY L BACK(FSM, NH-411M)	1
	88120-AAC-201X	MIRROR ASSY L BACK(PFW, NH-341P)	1
	88120-AAC-201Y	MIRROR ASSY L BACK(MBM, RD-018M)	1
27	90003-KCC-840	BOLT, ADPT.10MM	2
	90003-KCC-840	BOLT, ADPT.10MM	2
28	90114-310-000	BOLT, HANDLE LEVER PIVOT	2
	90114-310-000	BOLT, HANDLE LEVER PIVOT	2
29	90201-MW3-620	NUT, HEX., 10MM	2
	90201-MW3-620	NUT, HEX., 10MM	2

F-3-DRUM-KICK : HANDLE LEVER/SWITCH/CONTROL CABLE

30	93500-05020-0G	SCREW, PAN, 5 X 20	2
	93500-05020-0G	SCREW, PAN, 5 X 20	2
31	93500-05022-1G	SCREW, PAN, 5 X 22	2
	93500-05022-1G	SCREW, PAN, 5 X 22	2
32	93901-32220	SCREW TAPPING 3X10	1
33	94050-06000	NUT, FLANGE, 6 MM	2
	94050-06000	NUT, FLANGE, 6 MM	2
34	96001-06025-07	BOLT, FLANGE, SH. 6 X 25	2
	96001-06025-07	BOLT, FLANGE, SH. 6 X 25	2

F-3-DRUM-SELF : HANDLE LEVER/SWITCH/CONTROL CABLE



F-3-DRUM-SELF : HANDLE LEVER/SWITCH/CONTROL CABLE

Group Number: F-3-DRUM-SELF **Model ::** Passion Pro (Aug, 2015)

Ref No.	Part Number	Description	Req.
1	17910-KWA-940	CABLE COMP. THROT.	1
2	22870-KWA-940	CABLE COMP. CLUTCH	1
3	22871-116-670	BOOT, CLUTCH CABLE	1
5	32161-404-000	BAND B-1,WIRE	2
6	35150-KWA-841	SWITCH ASSY. START	1
7	35152-KWA-841	SWITCH ASSY., FR. STOP	1
8	35200-AAC-211	SWITCH ASSY., WINKER	1
9	35330-413-003	SW. COMP., FR. LEVER	1
	35330-413-003	SW. COMP., FR. LEVER	1
10	35340-KCC-900	SWITCH ASSY., FR. STOP	1
	35340-KCC-900	SWITCH ASSY., FR. STOP	1
12	45450-AAD-000	CABLE COMP FR BRAKE	1
13	53140-AAC-000	GRIP COMP THROTTLE	1
14	53166-AAC-000	GRIP L HANDLE	1
16	53168-166-000	HOUSING UPPER, THROTTLE	1
17	53168-KWA-841	HOUSING UP., THROTTLE	1
18	53173-AAC-200	BRACKET R HANDLE LEVER	1
19	53171-KCC-900	COVER R HANDLE LEVER	1
20	53172-KTC-920	BRACKET, L HANDLE LEVER	1
	53172-KTC-920	BRACKET, L HANDLE LEVER	1

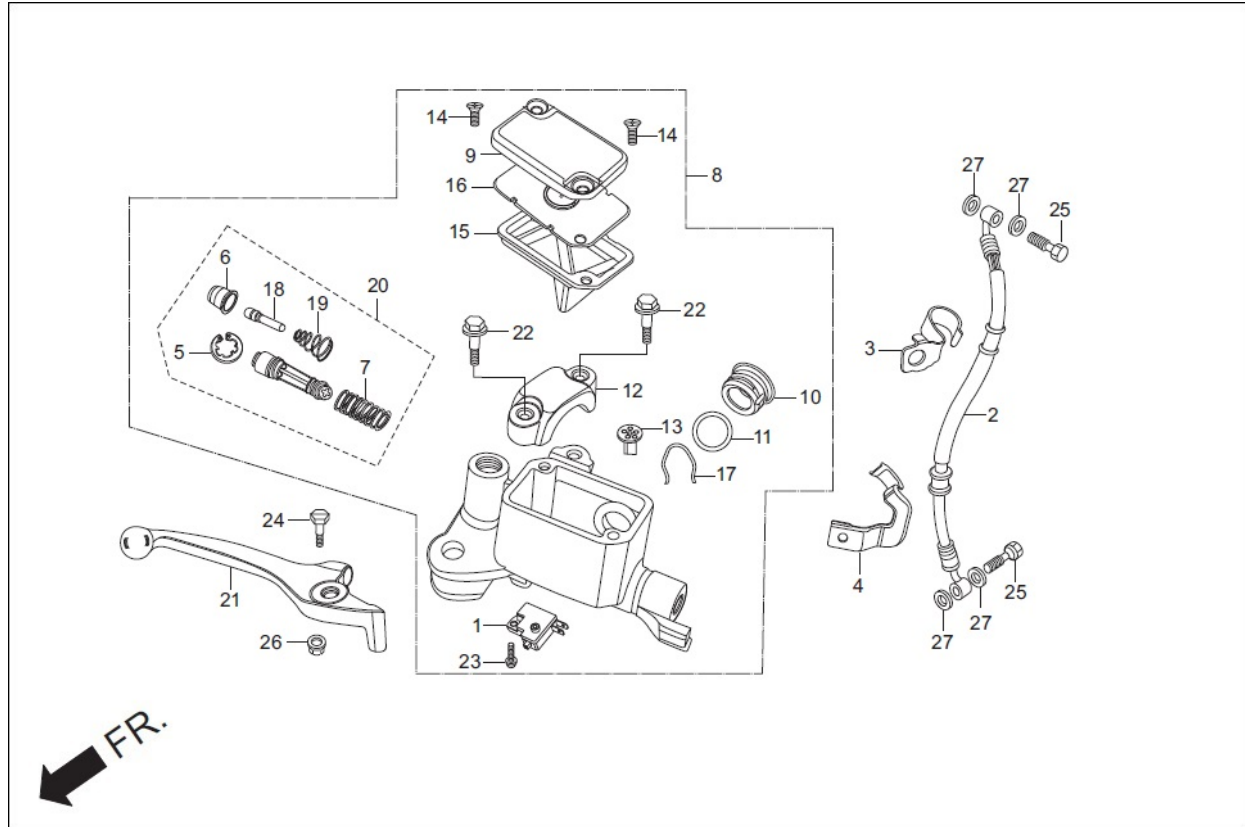
F-3-DRUM-SELF : HANDLE LEVER/SWITCH/CONTROL CABLE

21	53175-AAF-H00	LEVER COMP.R STRG.HNDL.	1
22	53178-AAF-H00	LEVER COMP.L STRG.HNDL.	1
	53178-AAF-H00	LEVER COMP.L STRG.HNDL.	1
23	53179-KTC-900	COVER L HANDLE LEVER	1
	53179-KTC-900	COVER L HANDLE LEVER	1
24	88110-AAC-201R	MIRROR ASSY R BACK(BLK , NH-1)	1
	88110-AAC-201U	MIRROR ASSY R BACK(SRD, R-321)	1
	88110-AAC-201V	MIRROR ASSY R BACK(BYM, YL-002M)	1
	88110-AAC-201W	MIRROR ASSY R BACK(FSM, NH-411M)	1
	88110-AAC-201X	MIRROR ASSY R BACK(PFW, NH-341P)	1
	88110-AAC-201Y	MIRROR ASSY R BACK(MBM, RD-018M)	1
25	88114-198-D10	CAP, LOCK NUT	2
	88114-198-D10	CAP, LOCK NUT	2
26	88120-AAC-201R	MIRROR ASSY L BACK(BLK , NH-1)	1
	88120-AAC-201U	MIRROR ASSY L BACK(SRD, R-321)	1
	88120-AAC-201V	MIRROR ASSY L BACK(BYM, YL-002M)	1
	88120-AAC-201W	MIRROR ASSY L BACK(FSM, NH-411M)	1
	88120-AAC-201X	MIRROR ASSY L BACK(PFW, NH-341P)	1
	88120-AAC-201Y	MIRROR ASSY L BACK(MBM, RD-018M)	1
27	90003-KCC-840	BOLT, ADPT.10MM	2
	90003-KCC-840	BOLT, ADPT.10MM	2
28	90114-310-000	BOLT, HANDLE LEVER PIVOT	2

F-3-DRUM-SELF : HANDLE LEVER/SWITCH/CONTROL CABLE

	90114-310-000	BOLT, HANDLE LEVER PIVOT	2
29	90201-MW3-620	NUT, HEX., 10MM	2
	90201-MW3-620	NUT, HEX., 10MM	2
30	93500-05020-0G	SCREW, PAN, 5 X 20	2
	93500-05020-0G	SCREW, PAN, 5 X 20	2
31	93500-05022-1G	SCREW, PAN, 5 X 22	2
	93500-05022-1G	SCREW, PAN, 5 X 22	2
32	93901-32220	SCREW TAPPING 3X10	1
33	94050-06000	NUT, FLANGE, 6 MM	2
	94050-06000	NUT, FLANGE, 6 MM	2
34	96001-06025-07	BOLT, FLANGE, SH. 6 X 25	2
	96001-06025-07	BOLT, FLANGE, SH. 6 X 25	2

F-3A-DISC-SELF : FRONT BRAKE MASTER CYL.



F-3A-DISC-SELF : FRONT BRAKE MASTER CYL.

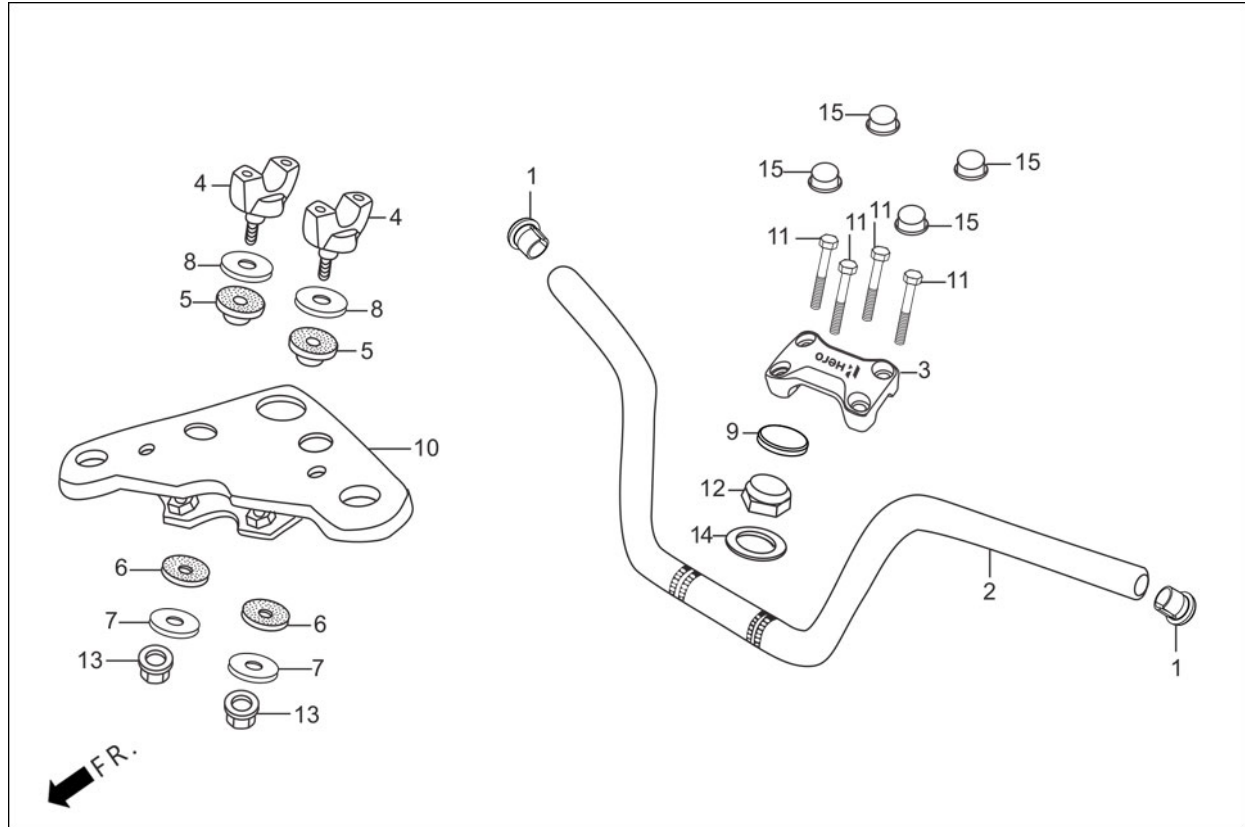
Group Number: F-3A-DISC-SELF **Model ::** Passion Pro (Aug, 2015)

Ref No.	Part Number	Description	Req.
1	35340-KCC-841	SW. ASSY. FR. STOP.	1
	35340-KCC-841	SW. ASSY. FR. STOP.	1
2	45126-KCC-840	HOSE COMP.,FR.BRAKE	1
	45126-KCC-840	HOSE COMP.,FR.BRAKE	1
3	45155-KCC-840	CLAMPER A FRONT BRAKE	1
4	45156-KCC-840	CLAMPER FRONT BRAKE	1
	45156-KCC-840	CLAMPER FRONT BRAKE	1
5	90651-KCC-841	CIRCLIP	1
6	45504-KCC-841	BOOT COMP.	1
7	45506-KCC-841	SPRING	1
8	45510-KVN-901	M/C SUB ASSY, FR. BRK	1
	45510-KVN-901	M/C SUB ASSY, FR. BRK	1
9	45513-KCC-841	CAP, MASTER CYLINDER	1
10	45515-KVN-901	GAUGE COMP., LEVEL	1
11	45516-KCC-841	O RING	1
12	45517-KCC-841	HOLDER MASTER CYLINDER	1
	45517-KCC-841	HOLDER MASTER CYLINDER	1
13	45518-KCC-841	SEPARATOR COMP.	1
14	45519-KCC-841	SCREW FLAT	2
15	45520-KCC-841	DIAPHRAGM	1

F-3A-DISC-SELF : FRONT BRAKE MASTER CYL.

16	45521-KCC-841	PLATE, DIAPHRAGM	1
17	45522-KCC-841	CLIP, GAUGE	1
18	45525-KCC-841	PUSH ROD	1
19	45526-KCC-841	SPRING , PUSH ROD	1
20	45530-KCC-841	CYLINDER SET MASTER	1
21	53175-KCC-840	LEVER RIGHT STRG. HANDLE	1
22	90111-KCC-841	BOLT,FLANGE 6 X 25	2
23	90112-KCC-841	SCREW,PAN,4X8	1
24	90114-KCC-841	BOLT, HANDLE LEVER	1
	90114-KCC-841	BOLT, HANDLE LEVER	1
25	90145-MS9-610	OIL BOLT, 10 X 22	2
	90145-MS9-610	OIL BOLT, 10 X 22	2
26	90303-KCC-841	NUT	1
	90303-KCC-841	NUT	1
27	90545-300-000	WASHER ,OIL BOLT	4
	90545-300-000	WASHER ,OIL BOLT	4

F-4 : HANDLE PIPE/TOP BRIDGE



F-4 : HANDLE PIPE/TOP BRIDGE

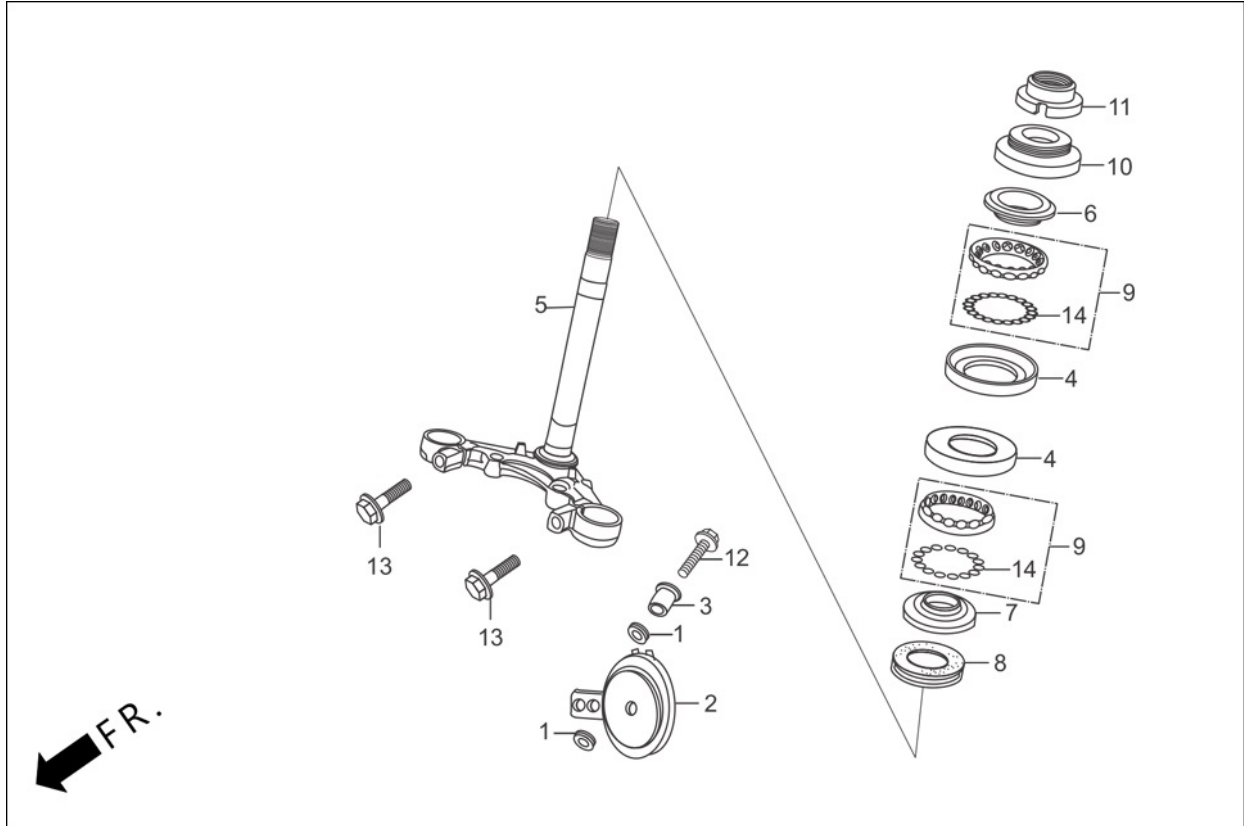
Group Number: F-4 **Model ::** Passion Pro (Aug, 2015)

Ref No.	Part Number	Description	Req.
1	53100-AAC-000	PIPE STRG HANDLE	1
2	53105-KRC-900	END STRG. HANDLE	2
	53105-KRC-900	END STRG. HANDLE	2
3	53131-AAC-H00	HOLDER HANDLE UPPER	1
4	53132-124-000	HOLDER, HANDLE PIPE UNDER	2
	53132-124-000	HOLDER, HANDLE PIPE UNDER	2
5	53133-198-900	RUBBER, HANDLE CUSHION UPPER	2
	53133-198-900	RUBBER, HANDLE CUSHION UPPER	2
6	53134-028-000	RUBBER, HANDLE CUSHION UNDER	2
	53134-028-000	RUBBER, HANDLE CUSHION UNDER	2
7	53135-198-900	WASHER, HANDLE CUSHION	2
	53135-198-900	WASHER, HANDLE CUSHION	2
8	53136-198-900	PLATE, HANDLE CUSHION	2
	53136-198-900	PLATE, HANDLE CUSHION	2
9	53208-AAH-000	CAP STRG. STEM	1
	53208-AAH-000	CAP STRG. STEM	1
10	53230-KST-950	BRIDGE COMP., FORK TOP	1
11	90102-KVN-900	BOLT, SP. FLANGE SOCKET 6 X 22	4
	90102-KVN-900	BOLT, SP. FLANGE SOCKET 6 X 22	4
12	90304-AAH-000	NUT STRG. STEM	1

F-4 : HANDLE PIPE/TOP BRIDGE

	90304-AAH-000	NUT STRG. STEM	1
13	90304-KST-942	NUT FLG.PT 10MM	2
	90304-KST-942	NUT FLG.PT 10MM	2
14	90503-KTR-900	WASHER, STEERING STEM	1
	90503-KTR-900	WASHER, STEERING STEM	1
15	91455-MG8-000	CAP, SOC BOLT 6 MM	4
	91455-MG8-000	CAP, SOC BOLT 6 MM	4

F-5 : STEERING STEM/HORN



F-5 : STEERING STEM/HORN

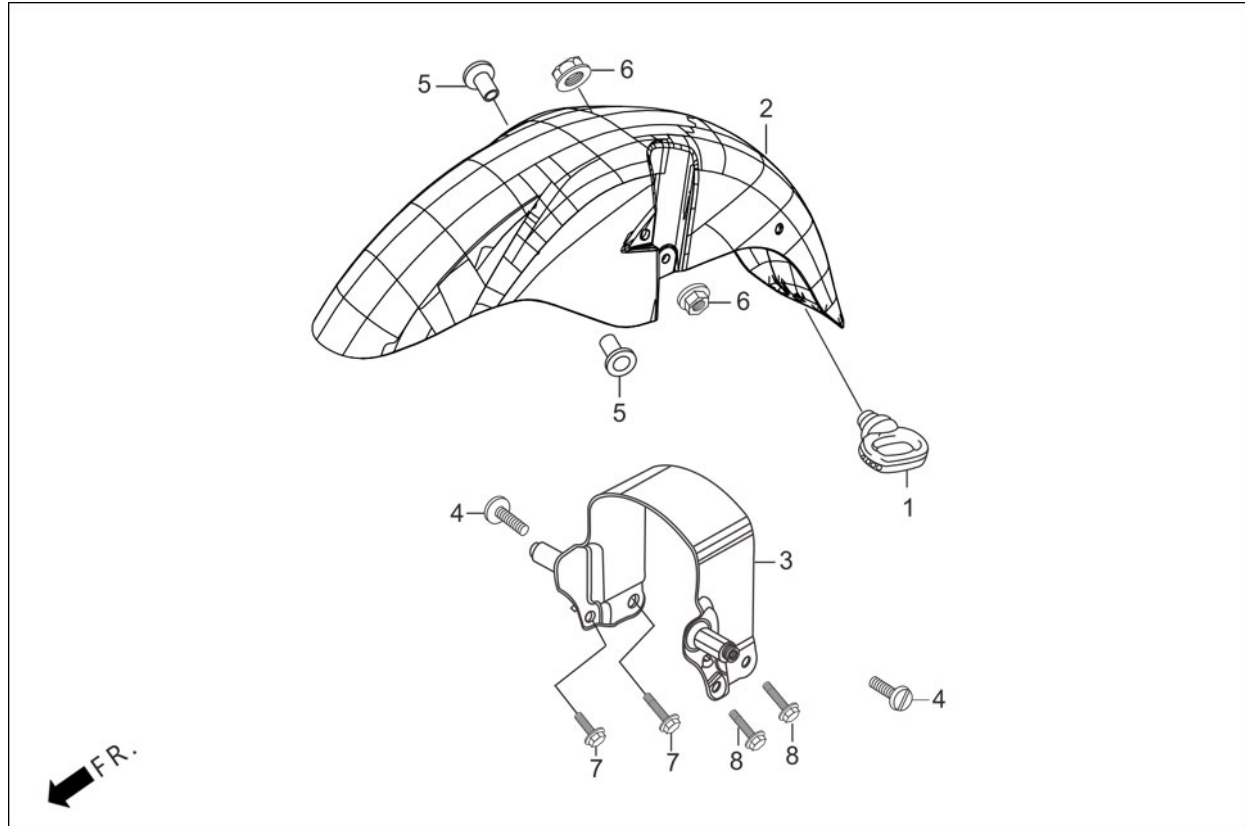
Group Number: F-5 **Model ::** Passion Pro (Aug, 2015)

Ref No.	Part Number	Description	Req.
1	33714-KL3-620	RUBBER, TAIL LIGHT	2
	33714-KL3-620	RUBBER, TAIL LIGHT	2
2	38110-KWA-93099	HORN	1
3	38117-KFE-701	COLLAR, HORN SET	1
	38117-KFE-701	COLLAR, HORN SET	1
4	50301-KTR-900	RACE, STEERING BALL	2
	50301-KTR-900	RACE, STEERING BALL	2
5	53200-AAD-000	STEM COMP STRG	1
6	53211-268-010	RACE, STEERING TOP CONE	1
	53211-268-010	RACE, STEERING TOP CONE	1
7	53212-200-000	RACE, STEERING BOTTOM CONE	1
	53212-200-000	RACE, STEERING BOTTOM CONE	1
8	53214-200-000	DUST SEAL, STEERING HEAD	1
	53214-200-000	DUST SEAL, STEERING HEAD	1
9	53215-KTR-900	BALL, ASSY. STEERING	2
	53215-KTR-900	BALL, ASSY. STEERING	2
10	53221-KTR-900	THREAD, STEERING HEAD TOP	1
	53221-KTR-900	THREAD, STEERING HEAD TOP	1
11	53222-KTR-900	MUD GUARD, STEERING HEAD TOP	1
	53222-KTR-900	MUD GUARD, STEERING HEAD TOP	1

F-5 : STEERING STEM/HORN

12	95701-06020-07	BOLT, FLANGE, 6 X 20	1
	95701-06020-07	BOLT, FLANGE, 6 X 20	1
13	95701-08040-00	BOLT, FLANGE, 8 X 40	2
	95701-08040-00	BOLT, FLANGE, 8 X 40	2
14	96211-08000	BALL STEEL 8 MM	32
	96211-08000	BALL STEEL 8 MM	32

F-6 : FRONT FENDER

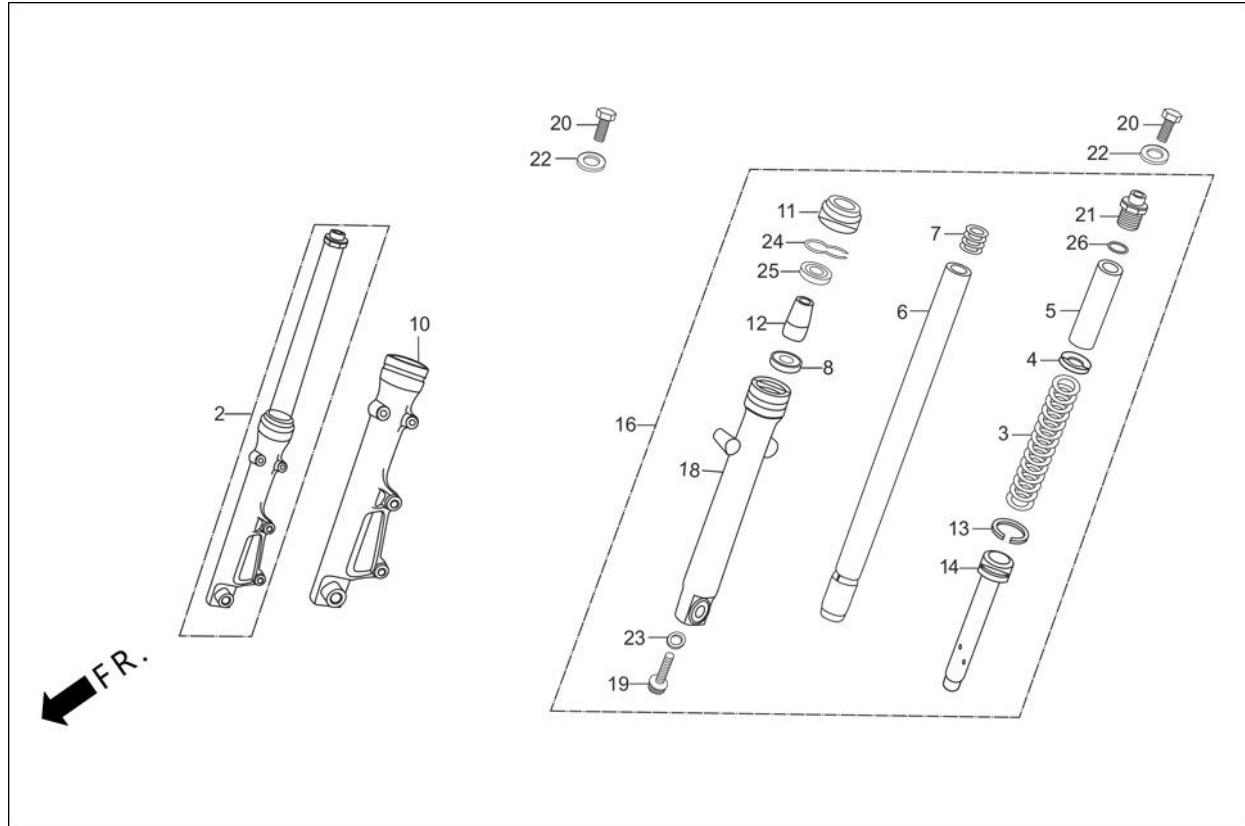


F-6 : FRONT FENDER

Group Number: F-6 **Model ::** Passion Pro (Aug, 2015)

Ref No.	Part Number	Description	Req.
1	45451-KCC-900	GUIDE, FR. FENDER CABLE	1
2	61101-AAC-220R	SET, FR FENDER(BLK, NH-1)	1
	61101-AAC-220U	SET, FR FENDER(SRD, R-321)	1
	61101-AAC-220V	SET, FR FENDER(BYM, YL-002M)	1
	61101-AAC-220W	SET, FR FENDER(FSM, NH-411M)	1
	61101-AAC-220X	SET, FR FENDER(PFW, NH-341P)	1
	61101-AAC-220Y	SET, FR FENDER(MBM, RD-018M)	1
3	61102-KWA-910	PLATE, FRONT FENDER	1
4	90104-KCC-870	SCREW, SPECIAL , 6 X 12	2
5	90501-KCC-870	COLLAR, FR. FENDER SET	2
	90501-KCC-870	COLLAR, FR. FENDER SET	2
6	94050-06000	NUT, FLANGE, 6 MM	2
	94050-06000	NUT, FLANGE, 6 MM	2
7	95701-06012-00	BOLT, FLANGE, 6X12	2
	95701-06012-00	BOLT, FLANGE, 6X12	2
8	95701-06020-00	BOLT, FLANGE, 6X20	2
	95701-06020-00	BOLT, FLANGE, 6X20	2

F-7-DISC : FRONT FORK



F-7-DISC : FRONT FORK

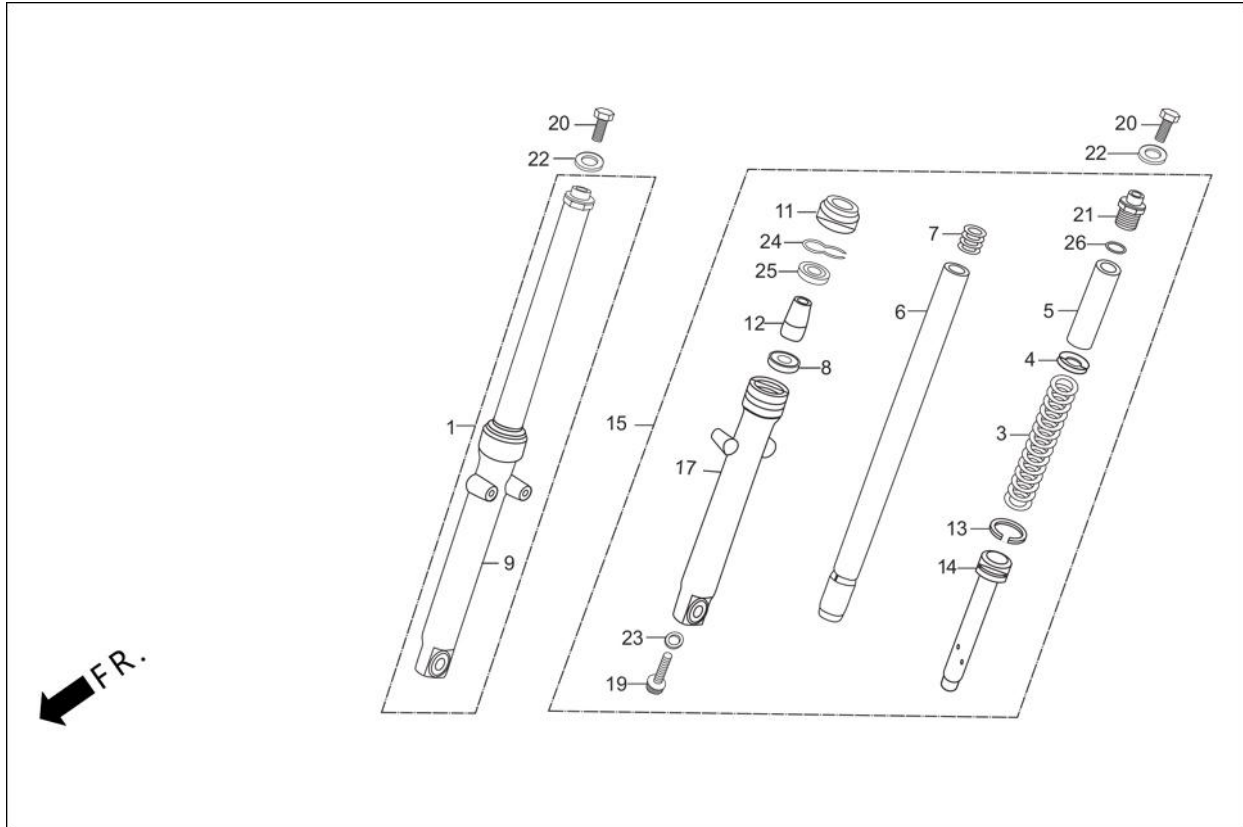
Group Number: F-7-DISC Model :: Passion Pro (Aug, 2015)

Ref No.	Part Number	Description	Req.
2	51400-KWA-971	FORK ASSY., R FRONT	1
3	51401-KST-941	SPRING, FR. CUSHION	2
4	51403-447-730	JOINT, SPRING	2
5	51403-KCC-900	COLLAR, SPRING	2
6	51410-KWA-941	PIPE COMP. FR. FORK	2
7	51412-KAG-900	SPRING, REBOUND	2
8	51412-KWA-941	RING BACKUP	2
10	51420-KWA-971	CASE COMP. R FRONT	1
11	51425-KST-901	SEAL, DUST	2
	51425-KST-901	SEAL, DUST	2
12	51432-KST-901	PIECE, OIL LOCK	2
13	51437-KVN-901	RING, PISTON	2
14	51440-KTR-901	PIPE, SEAT	2
16	51500-KWA-971	FORK ASSY., L FRONT	1
18	51520-KWA-971	CASE COMP. L, FRONT BOTTOM	1
19	90116-KAG-900	BOLT, SOCKET, 8 MM	2
20	90123-KRM-860	BOLT, FR. FORK	1
	90123-KRM-860	BOLT, FR. FORK	1
21	90123-KST-941	BOLT, A FR. FORK	2
22	90521-292-000	WASHER, PLAIN, 10.3 MM	1

F-7-DISC : FRONT FORK

	90521-292-000	WASHER, PLAIN, 10.3 MM	1
23	90544-439-930	WASHER, SPECIAL, 8 MM	2
24	90601-GF5-730	RING, OIL SEAL STOPPER	2
	90601-GF5-730	RING, OIL SEAL STOPPER	2
25	91255-KWA-941	SEAL OIL 30×42×11	2
	91255-KWA-941	SEAL OIL 30×42×11	2
26	91356-KAG-900	O - RING	2

F-7-DRUM : FRONT FORK



F-7-DRUM : FRONT FORK

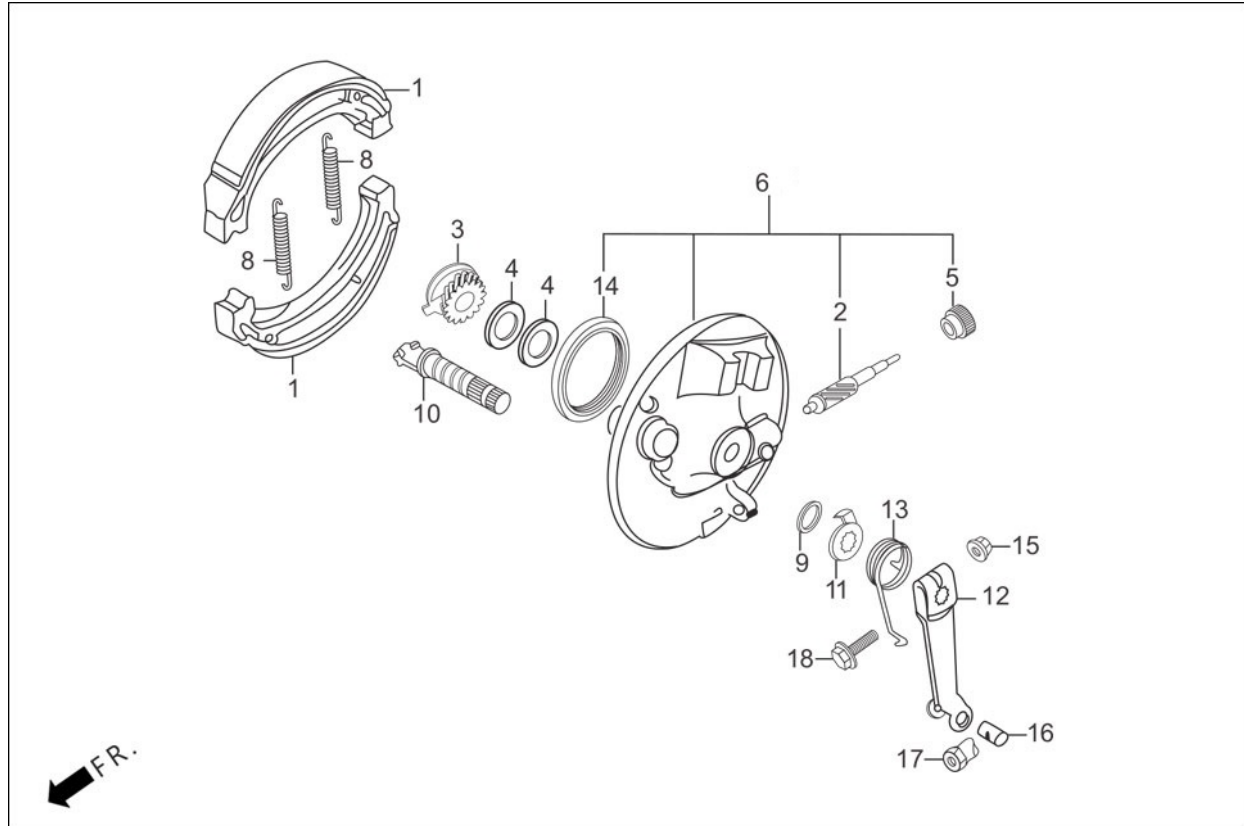
Group Number: F-7-DRUM Model :: Passion Pro (Aug, 2015)

Ref No.	Part Number	Description	Req.
1	51400-KWA-941	FORK ASSY., R FRONT	1
3	51401-KST-941	SPRING, FR. CUSHION	2
4	51403-447-730	JOINT, SPRING	2
5	51403-KCC-900	COLLAR, SPRING	2
6	51410-KWA-941	PIPE COMP. FR. FORK	2
7	51412-KAG-900	SPRING, REBOUND	2
8	51412-KWA-941	RING BACKUP	2
9	51420-KWA-941	CASE COMP. R, FRONT BOTTOM	1
11	51425-KST-901	SEAL, DUST	2
	51425-KST-901	SEAL, DUST	2
12	51432-KST-901	PIECE, OIL LOCK	2
13	51437-KVN-901	RING, PISTON	2
14	51440-KTR-901	PIPE, SEAT	2
15	51500-KWA-941	FORK ASSY., L FRONT	1
17	51520-KWA-941	CASE COMP. L, FRONT BOTTOM	1
19	90116-KAG-900	BOLT, SOCKET, 8 MM	2
20	90123-KRM-860	BOLT, FR. FORK	1
	90123-KRM-860	BOLT, FR. FORK	1
21	90123-KST-941	BOLT, A FR. FORK	2
22	90521-292-000	WASHER, PLAIN, 10.3 MM	1

F-7-DRUM : FRONT FORK

	90521-292-000	WASHER, PLAIN, 10.3 MM	1
23	90544-439-930	WASHER, SPECIAL, 8 MM	2
24	90601-GF5-730	RING, OIL SEAL STOPPER	2
	90601-GF5-730	RING, OIL SEAL STOPPER	2
25	91255-KWA-941	SEAL OIL 30×42×11	2
	91255-KWA-941	SEAL OIL 30×42×11	2
26	91356-KAG-900	O - RING	2

F-8-DRUM-CAST : FRONT BRAKE PANEL



F-8-DRUM-CAST : FRONT BRAKE PANEL

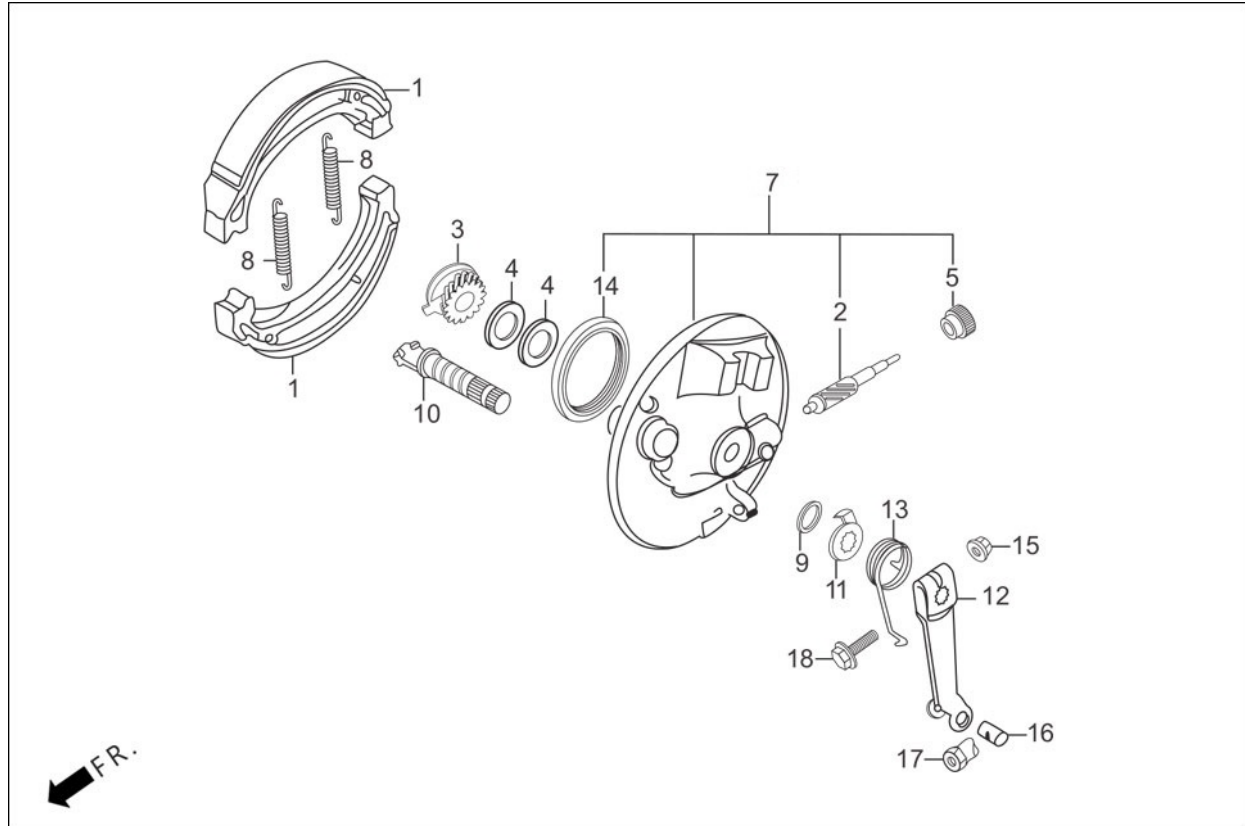
Group Number: F-8-DRUM-CAST Model :: Passion Pro (Aug, 2015)

Ref No.	Part Number	Description	Req.
1	45125-AAH-F0099	SHOE COMP BRAKE	2
2	44805-KTC-900	PINION, SPEEDOMETER	1
	44805-KTC-900	PINION, SPEEDOMETER	1
3	44806-KST-900	GEAR, SPEEDOMETER	1
	44806-KST-900	GEAR, SPEEDOMETER	1
4	44809-170-000	WASHER, SPEEDOMETER GEAR	2
	44809-170-000	WASHER, SPEEDOMETER GEAR	2
5	44810-KTC-900	BUSH, PINION	1
	44810-KTC-900	BUSH, PINION	1
6	45010-AAC-030	PANEL SUB FRONT BRAKE	1
8	45133-KCC-900	SPRING, FR. BRAKE SHOE	2
	45133-KCC-900	SPRING, FR. BRAKE SHOE	2
9	45134-250-000	DUST SEAL, BRAKE CAM	1
	45134-250-000	DUST SEAL, BRAKE CAM	1
10	45141-KTC-900	CAM FR. BRAKE	1
	45141-KTC-900	CAM FR. BRAKE	1
11	45145-096-650	INDICATOR, FR. BRAKE	1
	45145-096-650	INDICATOR, FR. BRAKE	1
12	45410-KTR-A20	ARM, FR. BRAKE	1
13	45435-GB2-720	SPRING, BRAKE ARM RETURN	1

F-8-DRUM-CAST : FRONT BRAKE PANEL

	45435-GB2-720	SPRING, BRAKE ARM RETURN	1
14	91251-GK4-000	OIL SEAL, 47X60X7	1
	91251-GK4-000	OIL SEAL, 47X60X7	1
15	94050-06000	NUT, FLANGE, 6 MM	1
	94050-06000	NUT, FLANGE, 6 MM	1
16	95015-32001	JOINT B BRAKE ARM	1
	95015-32001	JOINT B BRAKE ARM	1
17	95015-42000	NUT B ADJUST	1
	95015-42000	NUT B ADJUST	1
18	95701-06032-00	BOLT, FLANGE, 6 X 32	1

F-8-DRUM-SPOKE : FRONT BRAKE PANEL



F-8-DRUM-SPOKE : FRONT BRAKE PANEL

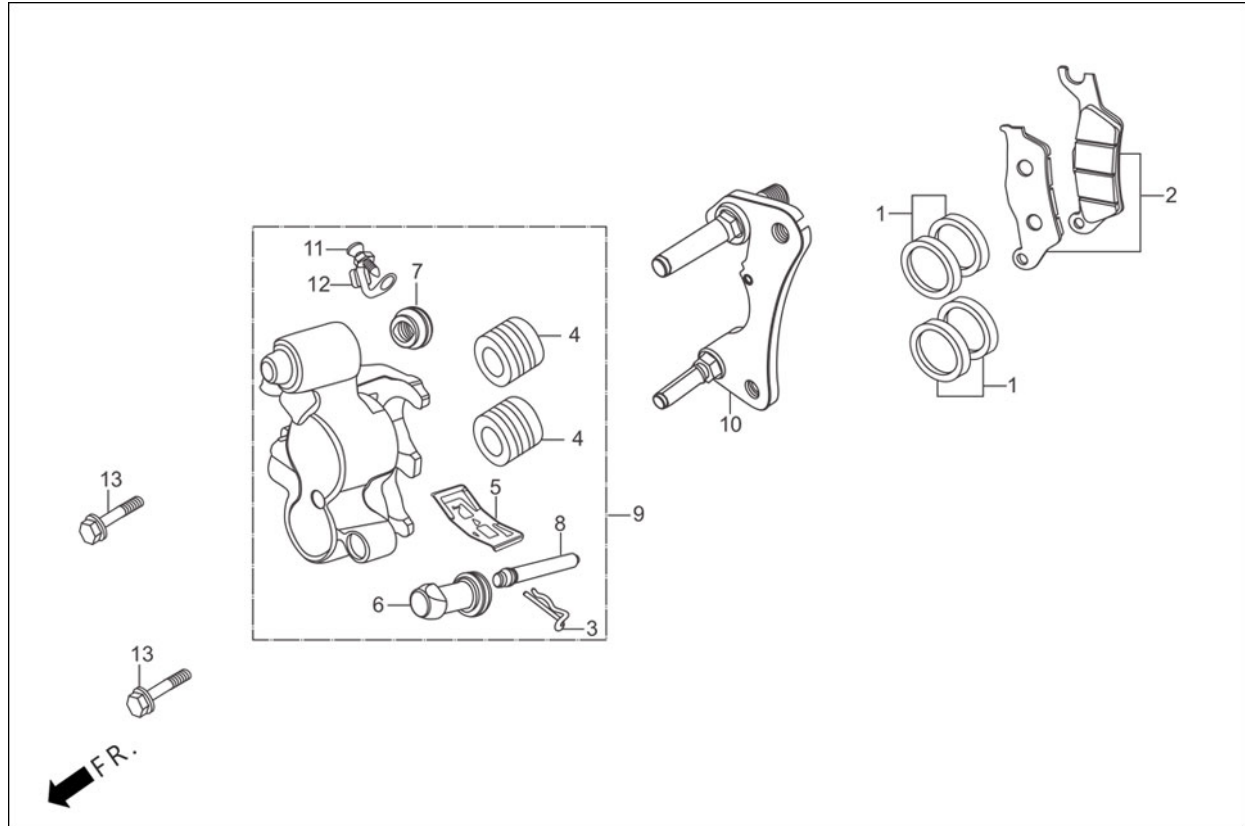
Group Number: F-8-DRUM-SPOKE Model :: Passion Pro (Aug, 2015)

Ref No.	Part Number	Description	Req.
1	45125-AAH-F0099	SHOE COMP BRAKE	2
2	44805-KTC-900	PINION, SPEEDOMETER	1
	44805-KTC-900	PINION, SPEEDOMETER	1
3	44806-KST-900	GEAR, SPEEDOMETER	1
	44806-KST-900	GEAR, SPEEDOMETER	1
4	44809-170-000	WASHER, SPEEDOMETER GEAR	2
	44809-170-000	WASHER, SPEEDOMETER GEAR	2
5	44810-KTC-900	BUSH, PINION	1
	44810-KTC-900	BUSH, PINION	1
7	45010-AAC-020	PANEL SUB COMP FRONT BRAKE	1
8	45133-KCC-900	SPRING, FR. BRAKE SHOE	2
	45133-KCC-900	SPRING, FR. BRAKE SHOE	2
9	45134-250-000	DUST SEAL, BRAKE CAM	1
	45134-250-000	DUST SEAL, BRAKE CAM	1
10	45141-KTC-900	CAM FR. BRAKE	1
	45141-KTC-900	CAM FR. BRAKE	1
11	45145-096-650	INDICATOR, FR. BRAKE	1
	45145-096-650	INDICATOR, FR. BRAKE	1
12	45410-KTR-A20	ARM, FR. BRAKE	1
13	45435-GB2-720	SPRING, BRAKE ARM RETURN	1

F-8-DRUM-SPOKE : FRONT BRAKE PANEL

	45435-GB2-720	SPRING, BRAKE ARM RETURN	1
14	91251-GK4-000	OIL SEAL, 47X60X7	1
	91251-GK4-000	OIL SEAL, 47X60X7	1
15	94050-06000	NUT, FLANGE, 6 MM	1
	94050-06000	NUT, FLANGE, 6 MM	1
16	95015-32001	JOINT B BRAKE ARM	1
	95015-32001	JOINT B BRAKE ARM	1
17	95015-42000	NUT B ADJUST	1
	95015-42000	NUT B ADJUST	1
18	95701-06032-00	BOLT, FLANGE, 6 X 32	1

F-8A-DISC-CAST : CALIPER ASSY. 'R' FR.

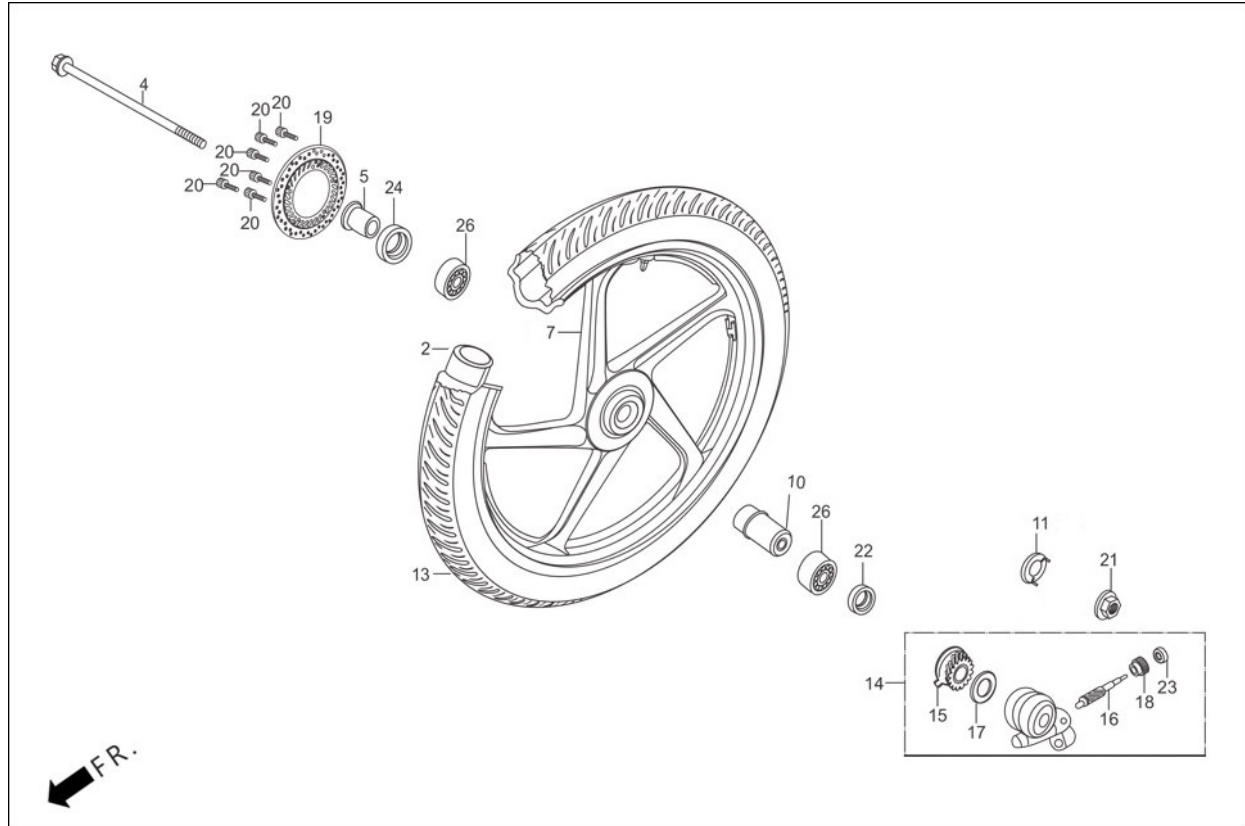


F-8A-DISC-CAST : CALIPER ASSY. 'R' FR.

Group Number: F-8A-DISC-CAST Model :: Passion Pro (Aug, 2015)

Ref No.	Part Number	Description	Req.
1	06451-KCC-841	SEAL SET, PISTON	2
	06451-KCC-841	SEAL SET, PISTON	2
2	06455-KCC-841	PAD SET, FRONT	1
	06455-KCC-841	PAD SET, FRONT	1
3	43216-MAK-003	CLIP	1
4	45107-KCC-841	PISTON, 26	2
5	45108-KCC-841	PAD, SPRING	1
6	45132-KCC-841	BUSH, BOOT PIN	1
7	45133-KCC-841	BOOT,B	1
8	45220-KCC-841	PIN COMP., HANGER	1
9	45250-KCC-841	CALIPER SUB ASSY., R FR	1
	45250-KCC-841	CALIPER SUB ASSY., R FR	1
10	45290-KCC-841	BRKT. SUB ASSY., R FR	1
	45290-KCC-841	BRKT. SUB ASSY., R FR	1
11	45352-KCC-841	SCREW, BLEEDER	1
12	45353-KCC-841	CAP, BLEEDER	1
13	90155-KY4-900	BOLT, FLANGE, 8 X 25	2
	90155-KY4-900	BOLT, FLANGE, 8 X 25	2

F-9-DISC-CAST : FRONT WHEEL



F-9-DISC-CAST : FRONT WHEEL

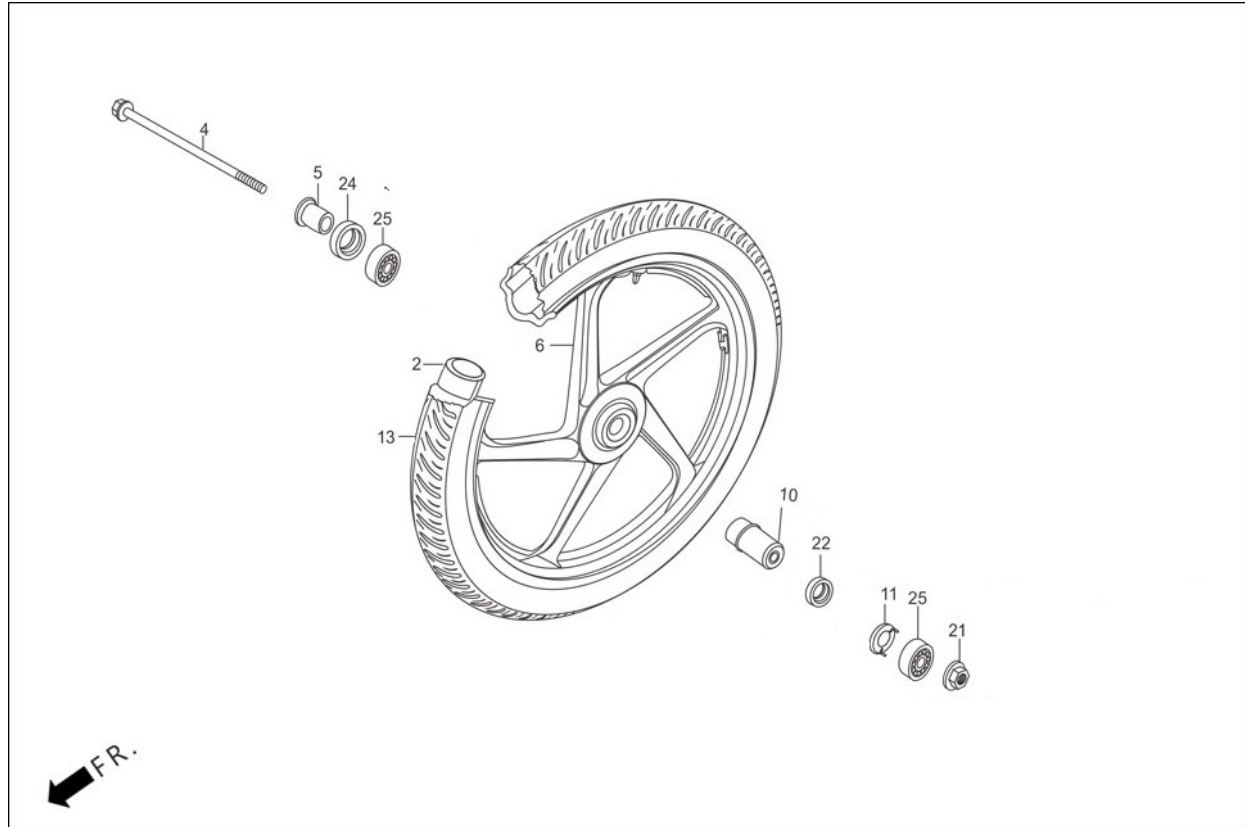
Group Number: F-9-DISC-CAST Model :: Passion Pro (Aug, 2015)

Ref No.	Part Number	Description	Req.
2	42712-KCS-920	TUBE, TYRE (2.75 X 18)	1
	42712-KCS-920	TUBE, TYRE (2.75 X 18)	1
4	44301-KTR-700	AXLE, FR. WHEEL	1
	44301-KTR-700	AXLE, FR. WHEEL	1
5	44311-KRC-900	COLLAR, FR. WHEEL SIDE	1
	44311-KRC-900	COLLAR, FR. WHEEL SIDE	1
7	44601-AAC-240	WHEEL COMP FRONT	1
10	44620-400-000	COLLAR, FRONT DISTANCE	1
	44620-400-000	COLLAR, FRONT DISTANCE	1
11	44680-410-000	RETAINER, GEAR BOX	1
	44680-410-000	RETAINER, GEAR BOX	1
13	44711-KFN-850	TYRE, FRONT	1
14	44800-KVE-901	GEAR BOX ASSY., SPDMT. (MGM)	1
	44800-KVE-901	GEAR BOX ASSY., SPDMT. (MGM)	1
15	44804-KVE-901	GEAR, SPEEDOMETER	1
16	44805-KVE-901	PINION, SPEEDOMETER	1
17	44809-170-000	WASHER, SPEEDOMETER GEAR	1
	44809-170-000	WASHER, SPEEDOMETER GEAR	1
18	44810-KTC-900	BUSH, PINION	1
	44810-KTC-900	BUSH, PINION	1

F-9-DISC-CAST : FRONT WHEEL

19	45251-KVE-901	DISC, FRONT BRAKE	1
20	90105-MK5-010	BOLT, FR., DISC, 8 X 22	6
	90105-MK5-010	BOLT, FR., DISC, 8 X 22	6
21	90306-KTE-911	NUT, CASTLE, 12 MM	1
	90306-KTE-911	NUT, CASTLE, 12 MM	1
22	91251-KPH-901	DUST SEAL, 21 X 37 X 7	1
	91251-KPH-901	DUST SEAL, 21 X 37 X 7	1
23	91251-KPH-901	DUST SEAL, 21 X 37 X 7	1
	91251-KPH-901	DUST SEAL, 21 X 37 X 7	1
24	91258-KEJ-900	DUST SEAL, 40 X 50 X 5	1
	91258-KEJ-900	DUST SEAL, 40 X 50 X 5	1
26	96150-63010-10	BEARING, BALL RADIAL, 6301 (UU)	2
	96150-63010-10	BEARING, BALL RADIAL, 6301 (UU)	2

F-9-DRUM-CAST : FRONT WHEEL

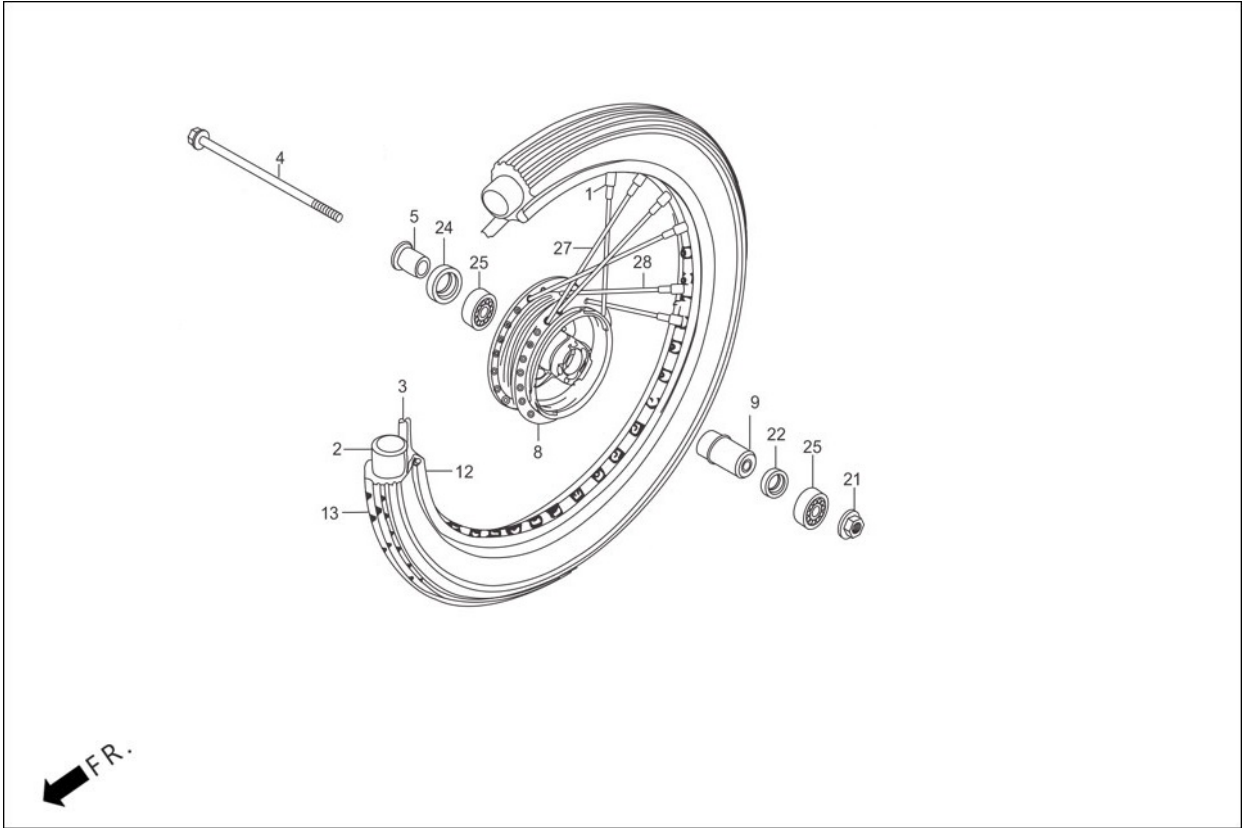


F-9-DRUM-CAST : FRONT WHEEL

Group Number: F-9-DRUM-CAST Model :: Passion Pro (Aug, 2015)

Ref No.	Part Number	Description	Req.
2	42712-KCS-920	TUBE, TYRE (2.75 X 18)	1
	42712-KCS-920	TUBE, TYRE (2.75 X 18)	1
4	44301-KTR-700	AXLE, FR. WHEEL	1
	44301-KTR-700	AXLE, FR. WHEEL	1
5	44311-KRC-900	COLLAR, FR. WHEEL SIDE	1
	44311-KRC-900	COLLAR, FR. WHEEL SIDE	1
6	44601-AAC-230099	WHEEL COMP FRONT	1
10	44620-400-000	COLLAR, FRONT DISTANCE	1
	44620-400-000	COLLAR, FRONT DISTANCE	1
11	44680-410-000	RETAINER, GEAR BOX	1
	44680-410-000	RETAINER, GEAR BOX	1
13	44711-KFN-850	TYRE, FRONT	1
21	90306-KTE-911	NUT, CASTLE, 12 MM	1
	90306-KTE-911	NUT, CASTLE, 12 MM	1
22	91251-KPH-901	DUST SEAL, 21 X 37 X 7	1
	91251-KPH-901	DUST SEAL, 21 X 37 X 7	1
24	91258-KEJ-900	DUST SEAL, 40 X 50 X 5	1
	91258-KEJ-900	DUST SEAL, 40 X 50 X 5	1
25	96140-63010-10	BEARING, RADIAL BALL, 6301U	2
	96140-63010-10	BEARING, RADIAL BALL, 6301U	2

F-9-DRUM-SPOKE : FRONT WHEEL



F-9-DRUM-SPOKE : FRONT WHEEL

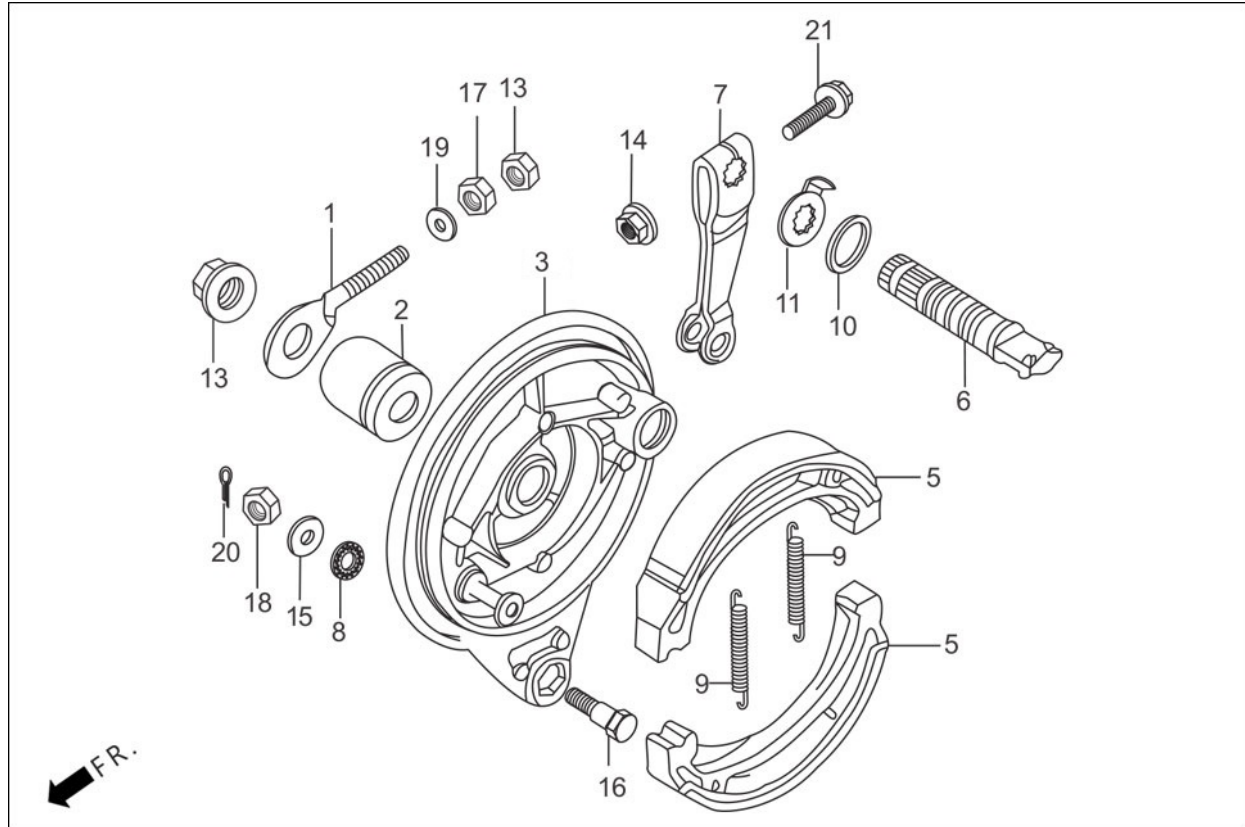
Group Number: F-9-DRUM-SPOKE Model :: Passion Pro (Aug, 2015)

Ref No.	Part Number	Description	Req.
1	42603-198-900	NIPPLE, SPOKE-9	36
	42603-198-900	NIPPLE, SPOKE-9	36
2	42712-KCS-920	TUBE, TYRE (2.75 X 18)	1
	42712-KCS-920	TUBE, TYRE (2.75 X 18)	1
3	42713-KFN-850	FLAP, TYRE (1.40 X 18)	1
4	44301-KTR-700	AXLE, FR. WHEEL	1
	44301-KTR-700	AXLE, FR. WHEEL	1
5	44311-KRC-900	COLLAR, FR. WHEEL SIDE	1
	44311-KRC-900	COLLAR, FR. WHEEL SIDE	1
8	44601-KTR-940	HUB COMP., FRONT WHEEL	1
9	44620-198-900	COLLAR, FR. AXLE DISTANCE	1
	44620-198-900	COLLAR, FR. AXLE DISTANCE	1
12	44701-AAC-H00	RIM FRONT WHEEL	1
	44701-AAC-H00	RIM FRONT WHEEL	1
13	44711-KFN-850	TYRE, FRONT	1
21	90306-KTE-911	NUT, CASTLE, 12 MM	1
	90306-KTE-911	NUT, CASTLE, 12 MM	1
22	91251-KPH-901	DUST SEAL, 21 X 37 X 7	1
	91251-KPH-901	DUST SEAL, 21 X 37 X 7	1
24	91258-KEJ-900	DUST SEAL, 40 X 50 X 5	1

F-9-DRUM-SPOKE : FRONT WHEEL

	91258-KEJ-900	DUST SEAL, 40 X 50 X 5	1
25	96140-63010-10	BEARING, RADIAL BALL, 6301U	2
	96140-63010-10	BEARING, RADIAL BALL, 6301U	2
27	97252-51162-10	SPOKE,A 9 X161	18
	97252-51162-10	SPOKE,A 9 X161	18
28	97603-51162-10	SPOKE, A 9 X 161	18
	97603-51162-10	SPOKE, A 9 X 161	18

F-10-CAST : REAR BRAKE PANEL



F-10-CAST : REAR BRAKE PANEL

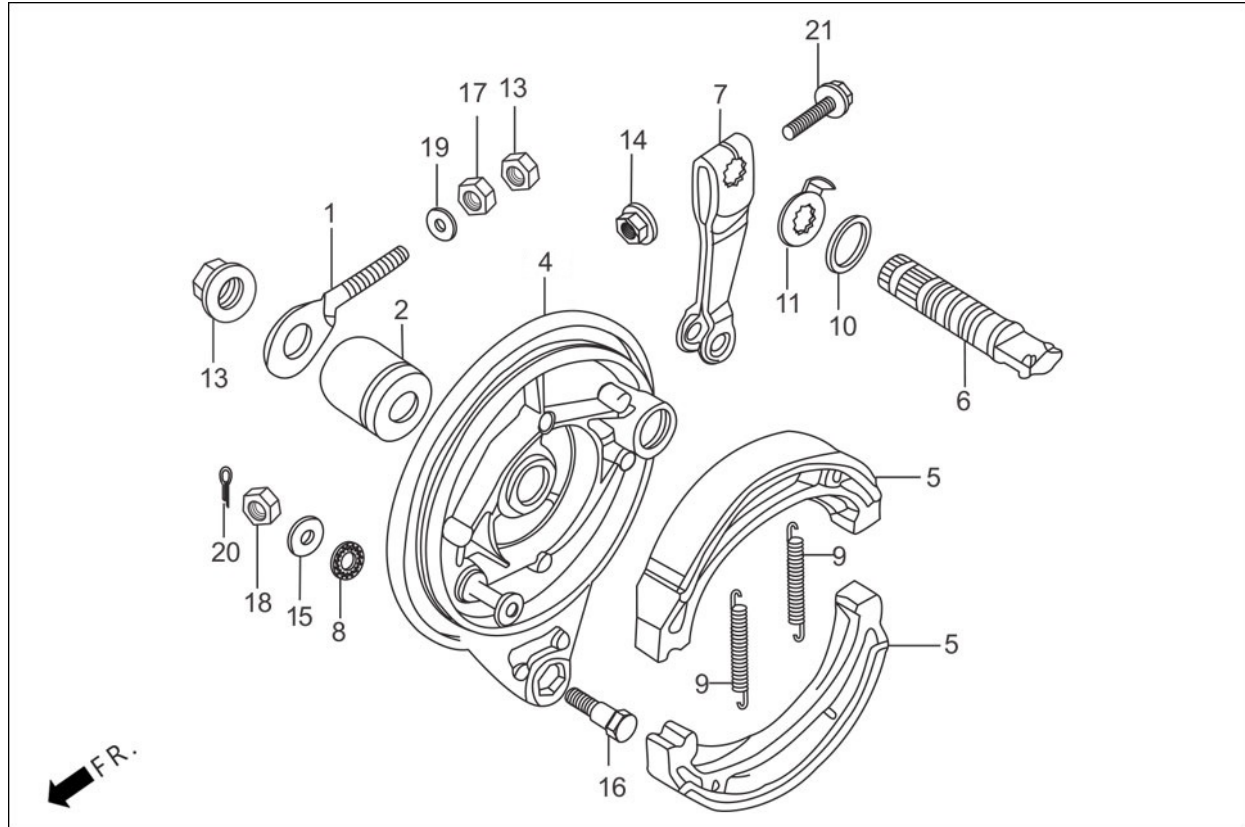
Group Number: F-10-CAST Model :: Passion Pro (Aug, 2015)

Ref No.	Part Number	Description	Req.
1	40543-198-900	ADJUSTER, R CHAIN	1
2	42313-KCC-600	COLLAR RR. BRAKE PANEL SIDE	1
3	43100-KTR-700	PANEL COMP., RR. BRAKE	1
	43100-KTR-700	PANEL COMP., RR. BRAKE	1
5	45125-AAH-F0099	SHOE COMP BRAKE	2
6	43141-KTC-900	CAM, REAR BRAKE	1
	43141-KTC-900	CAM, REAR BRAKE	1
7	43410-KCT-690	ARM, REAR BRAKE	1
	43410-KCT-690	ARM, REAR BRAKE	1
8	43434-286-000	RUBBER, STOPPER ARM CUSHION	1
	43434-286-000	RUBBER, STOPPER ARM CUSHION	1
9	45133-KCC-900	SPRING, FR. BRAKE SHOE	2
	45133-KCC-900	SPRING, FR. BRAKE SHOE	2
10	45134-250-000	DUST SEAL, BRAKE CAM	1
	45134-250-000	DUST SEAL, BRAKE CAM	1
11	45145-KFM-900	INDICATOR, FR. BRK	1
	45145-KFM-900	INDICATOR, FR. BRK	1
12	90302-KTE-911	NUT FLANGE PT 6MM	1
	90302-KTE-911	NUT FLANGE PT 6MM	1
13	90302-KBP-900	NUT SPL 6 MM	1

F-10-CAST : REAR BRAKE PANEL

	90302-KBP-900	NUT SPL 6 MM	1
14	90306-KST-942	NUT, CASTLE, 12 MM	1
	90306-KST-942	NUT, CASTLE, 12 MM	1
15	90505-425-000	WASHER, 8 MM	1
	90505-425-000	WASHER, 8 MM	1
16	92811-10000	BOLT A BRAKE STOPPER	1
	92811-10000	BOLT A BRAKE STOPPER	1
17	94001-06000-0S	NUT, HEX., 6 MM	1
	94001-06000-0S	NUT, HEX., 6 MM	1
18	94001-08000-0S	NUT, HEX., 8 MM	1
	94001-08000-0S	NUT, HEX., 8 MM	1
19	94101-06000	WASHER, PLAIN, 6 MM	1
	94101-06000	WASHER, PLAIN, 6 MM	1
20	94201-20150	PIN, SPLIT, 2.0 X 15	1
	94201-20150	PIN, SPLIT, 2.0 X 15	1
21	95701-06035-00	BOLT, FLANGE, 6X35	1
	95701-06035-00	BOLT, FLANGE, 6X35	1

F-10-SPOKE : REAR BRAKE PANEL



F-10-SPOKE : REAR BRAKE PANEL

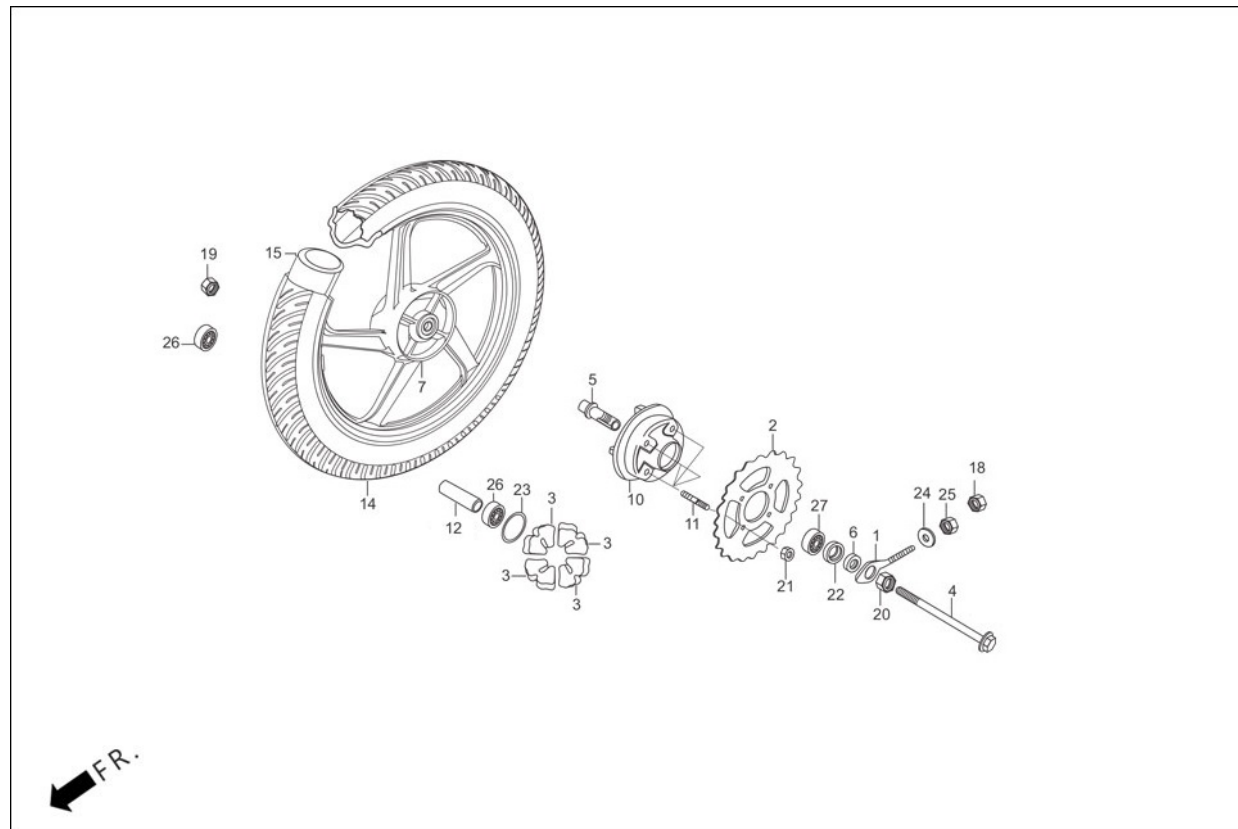
Group Number: F-10-SPOKE Model :: Passion Pro (Aug, 2015)

Ref No.	Part Number	Description	Req.
1	40543-198-900	ADJUSTER, R CHAIN	1
2	42313-KCC-600	COLLAR RR. BRAKE PANEL SIDE	1
4	43100-KTR-900	PANEL COMP., RR. BRAKE	1
5	45125-AAH-F0099	SHOE COMP BRAKE	2
6	43141-KTC-900	CAM, REAR BRAKE	1
	43141-KTC-900	CAM, REAR BRAKE	1
7	43410-KCT-690	ARM, REAR BRAKE	1
	43410-KCT-690	ARM, REAR BRAKE	1
8	43434-286-000	RUBBER, STOPPER ARM CUSHION	1
	43434-286-000	RUBBER, STOPPER ARM CUSHION	1
9	45133-KCC-900	SPRING, FR. BRAKE SHOE	2
	45133-KCC-900	SPRING, FR. BRAKE SHOE	2
10	45134-250-000	DUST SEAL, BRAKE CAM	1
	45134-250-000	DUST SEAL, BRAKE CAM	1
11	45145-KFM-900	INDICATOR, FR. BRK	1
	45145-KFM-900	INDICATOR, FR. BRK	1
12	90302-KTE-911	NUT FLANGE PT 6MM	1
	90302-KTE-911	NUT FLANGE PT 6MM	1
13	90302-KBP-900	NUT SPL 6 MM	1
	90302-KBP-900	NUT SPL 6 MM	1

F-10-SPOKE : REAR BRAKE PANEL

14	90306-KST-942	NUT, CASTLE, 12 MM	1
	90306-KST-942	NUT, CASTLE, 12 MM	1
15	90505-425-000	WASHER, 8 MM	1
	90505-425-000	WASHER, 8 MM	1
16	92811-10000	BOLT A BRAKE STOPPER	1
	92811-10000	BOLT A BRAKE STOPPER	1
17	94001-06000-0S	NUT, HEX., 6 MM	1
	94001-06000-0S	NUT, HEX., 6 MM	1
18	94001-08000-0S	NUT, HEX., 8 MM	1
	94001-08000-0S	NUT, HEX., 8 MM	1
19	94101-06000	WASHER, PLAIN, 6 MM	1
	94101-06000	WASHER, PLAIN, 6 MM	1
20	94201-20150	PIN, SPLIT, 2.0 X 15	1
	94201-20150	PIN, SPLIT, 2.0 X 15	1
21	95701-06035-00	BOLT, FLANGE, 6X35	1
	95701-06035-00	BOLT, FLANGE, 6X35	1

F-11-CAST : REAR WHEEL



F-11-CAST : REAR WHEEL

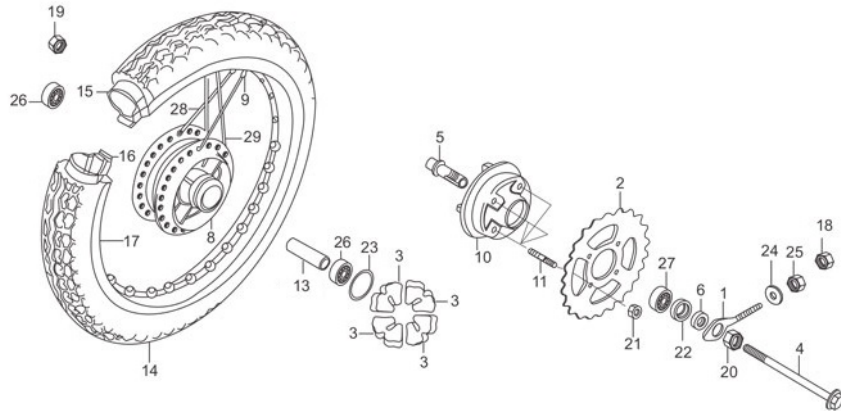
Group Number: F-11-CAST Model :: Passion Pro (Aug, 2015)

Ref No.	Part Number	Description	Req.
1	40544-198-900	ADJUSTER, L CHAIN	1
2	41201-KVH-760	SPROCKET, FINAL DRIVEN (43T)	1
3	41241-KTC-900	DAMPER, REAR WHEEL	4
4	42301-ABA-000	AXLE RR WHEEL	1
5	42303-KCC-600	SLEEVE RR. WHEEL	1
6	42304-198-900	COLLAR, RR.AXLE SLEEVE	1
7	42601-AAC-230099	WHEEL COMP REAR	1
10	42611-KWA-940	FLANGE FINAL DRIVEN	1
11	42615-KCC-600	BOLT, STUD., 8X35.5	4
12	42620-KTR-700	COLLAR, REAR AXLE DISTANCE	1
	42620-KTR-700	COLLAR, REAR AXLE DISTANCE	1
14	42711-KTR-901	TYRE, RR. (3.0-18-52P)	1
15	42712-KTR-901	TUBE, TYRE	1
18	90302-KBP-900	NUT SPL 6 MM	1
	90302-KBP-900	NUT SPL 6 MM	1
19	90306-KST-942	NUT, CASTLE, 12 MM	1
	90306-KST-942	NUT, CASTLE, 12 MM	1
20	90307-001-000	NUT ,RR. AXLE SLEEVE	1
	90307-001-000	NUT ,RR. AXLE SLEEVE	1
21	90309-357-000	NUT, HEX .,8MM	4

F-11-CAST : REAR WHEEL

22	90753-029-000	OIL SEAL, 27 X 40 X 6	1
	90753-029-000	OIL SEAL, 27 X 40 X 6	1
23	91304-704-000	O-RING 42 MM	1
	91304-704-000	O-RING 42 MM	1
24	94101-06000	WASHER, PLAIN, 6 MM	1
	94101-06000	WASHER, PLAIN, 6 MM	1
25	94001-06000-0S	NUT, HEX., 6 MM	1
	94001-06000-0S	NUT, HEX., 6 MM	1
26	96140-63010-10	BEARING, RADIAL BALL, 6301U	2
	96140-63010-10	BEARING, RADIAL BALL, 6301U	2
27	96150-62030-10	BEARING, BALL RADIAL, 6203 (UU)	1
	96150-62030-10	BEARING, BALL RADIAL, 6203 (UU)	1

F-11-SPOKE : REAR WHEEL



FR.

F-11-SPOKE : REAR WHEEL

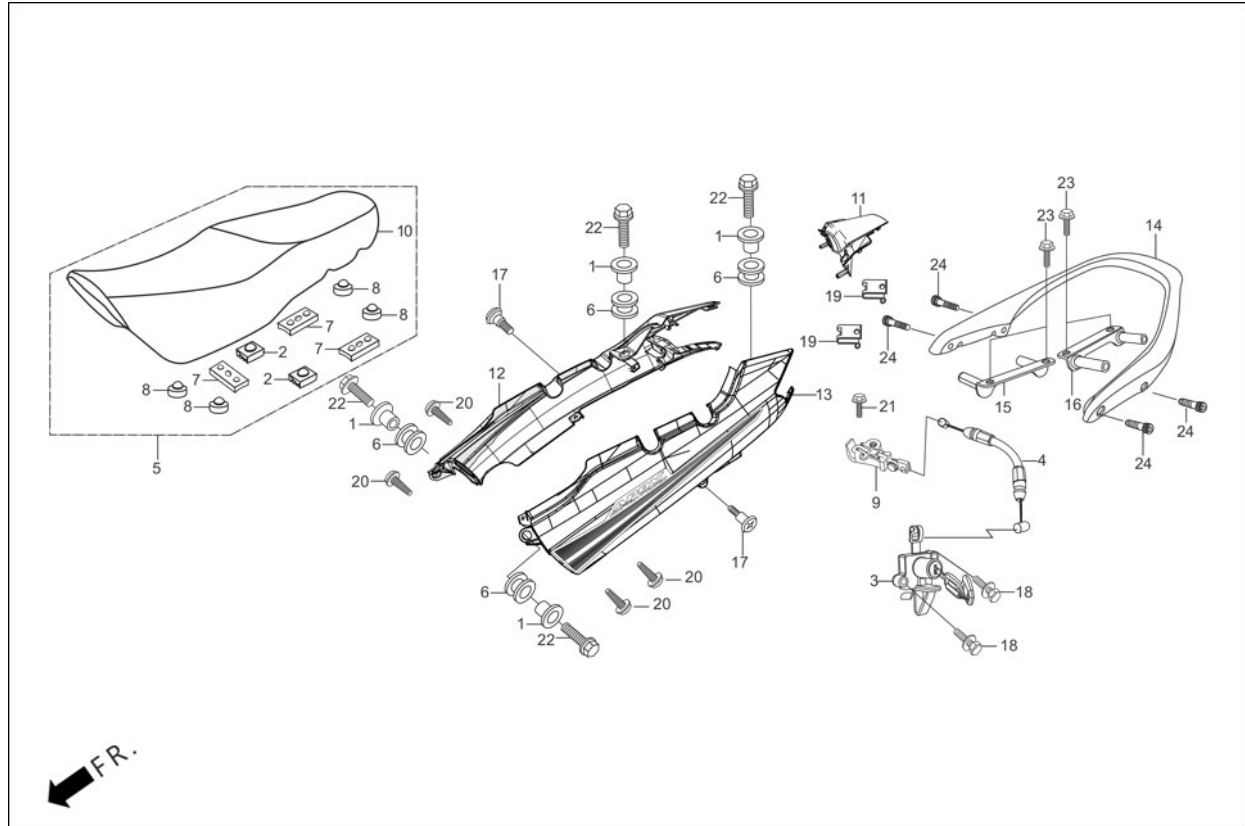
Group Number: F-11-SPOKE Model :: Passion Pro (Aug, 2015)

Ref No.	Part Number	Description	Req.
1	40544-198-900	ADJUSTER, L CHAIN	1
2	41201-KVH-760	SPROCKET, FINAL DRIVEN (43T)	1
3	41241-KTC-900	DAMPER, REAR WHEEL	4
4	42301-ABA-000	AXLE RR WHEEL	1
5	42303-KCC-600	SLEEVE RR. WHEEL	1
6	42304-198-900	COLLAR, RR.AXLE SLEEVE	1
8	42601-KTR-940	HUB, COMP., REAR WHEEL	1
9	42603-198-900	NIPPLE, SPOKE-9	36
	42603-198-900	NIPPLE, SPOKE-9	36
10	42611-KWA-940	FLANGE FINAL DRIVEN	1
11	42615-KCC-600	BOLT, STUD., 8X35.5	4
13	42620-KTR-940	COLLAR, REAR AXLE DISTANCE	1
14	42711-KTR-901	TYRE, RR. (3.0-18-52P)	1
15	42712-KTR-901	TUBE, TYRE	1
16	42713-KFN-850	FLAP, TYRE (1.40 X 18)	1
17	44701-AAC-H00	RIM FRONT WHEEL	1
	44701-AAC-H00	RIM FRONT WHEEL	1
18	90302-KBP-900	NUT SPL 6 MM	1
	90302-KBP-900	NUT SPL 6 MM	1
19	90306-KST-942	NUT, CASTLE, 12 MM	1

F-11-SPOKE : REAR WHEEL

	90306-KST-942	NUT, CASTLE, 12 MM	1
20	90307-001-000	NUT ,RR. AXLE SLEEVE	1
	90307-001-000	NUT ,RR. AXLE SLEEVE	1
21	90309-357-000	NUT, HEX .,8MM	4
22	90753-029-000	OIL SEAL, 27 X 40 X 6	1
	90753-029-000	OIL SEAL, 27 X 40 X 6	1
23	91304-704-000	O-RING 42 MM	1
	91304-704-000	O-RING 42 MM	1
24	94101-06000	WASHER, PLAIN, 6 MM	1
	94101-06000	WASHER, PLAIN, 6 MM	1
25	94001-06000-0S	NUT, HEX., 6 MM	1
	94001-06000-0S	NUT, HEX., 6 MM	1
26	96140-63010-10	BEARING, RADIAL BALL, 6301U	2
	96140-63010-10	BEARING, RADIAL BALL, 6301U	2
27	96150-62030-10	BEARING, BALL RADIAL, 6203 (UU)	1
	96150-62030-10	BEARING, BALL RADIAL, 6203 (UU)	1
28	97252-51162-10	SPOKE,A 9 X161	18
	97252-51162-10	SPOKE,A 9 X161	18
29	97687-51161-10	SPOKE,A9X160.5	18

F-12 : SEAT ASSY./COWL/GRIP REAR



F-12 : SEAT ASSY./COWL/GRIP REAR

Group Number: F-12 **Model ::** Passion Pro (Aug, 2015)

Ref No.	Part Number	Description	Req.
1	17509-398-960	COLLAR, TANK SET	4
	17509-398-960	COLLAR, TANK SET	4
2	50524-001-000	RUBBER, MAIN STAND STOPPER	2
	50524-001-000	RUBBER, MAIN STAND STOPPER	2
3	77110-AAC-H00	LOCK ASSY SEAT	1
4	77156-KCC-870	CABLE, SEAT LOCK	1
5	77200-KWA-830	SEAT ASSY., DOUBLE	1
6	77202-KCC-900	RUBBER, SEAT MOUNTING	4
	77202-KCC-900	RUBBER, SEAT MOUNTING	4
7	77204-KCC-900	RUBBER, `A SEAT SETTING	3
	77204-KCC-900	RUBBER, `A SEAT SETTING	3
8	77206-KCC-900	RUBBER, SEAT CUSHION	4
	77206-KCC-900	RUBBER, SEAT CUSHION	4
9	77220-KY6-000	HOOK, SEAT CATCH	1
	77220-KY6-000	HOOK, SEAT CATCH	1
10	77230-KWA-830	COVER, SEAT ASSY.,	1
11	77237-AAC-200R	SET, CENTER RR COWL(BLK TYPE-1, NH-1)	1
	77237-AAC-200U	SET, CENTER RR COWL(SRD, R-321)	1
	77237-AAC-200Z	SET, CENTER RR COWL(BLACK,NH-1(T2)	1
	77237-AAC-2001	SET, CENTER RR COWL(BLACK, NH-1(T3)	1

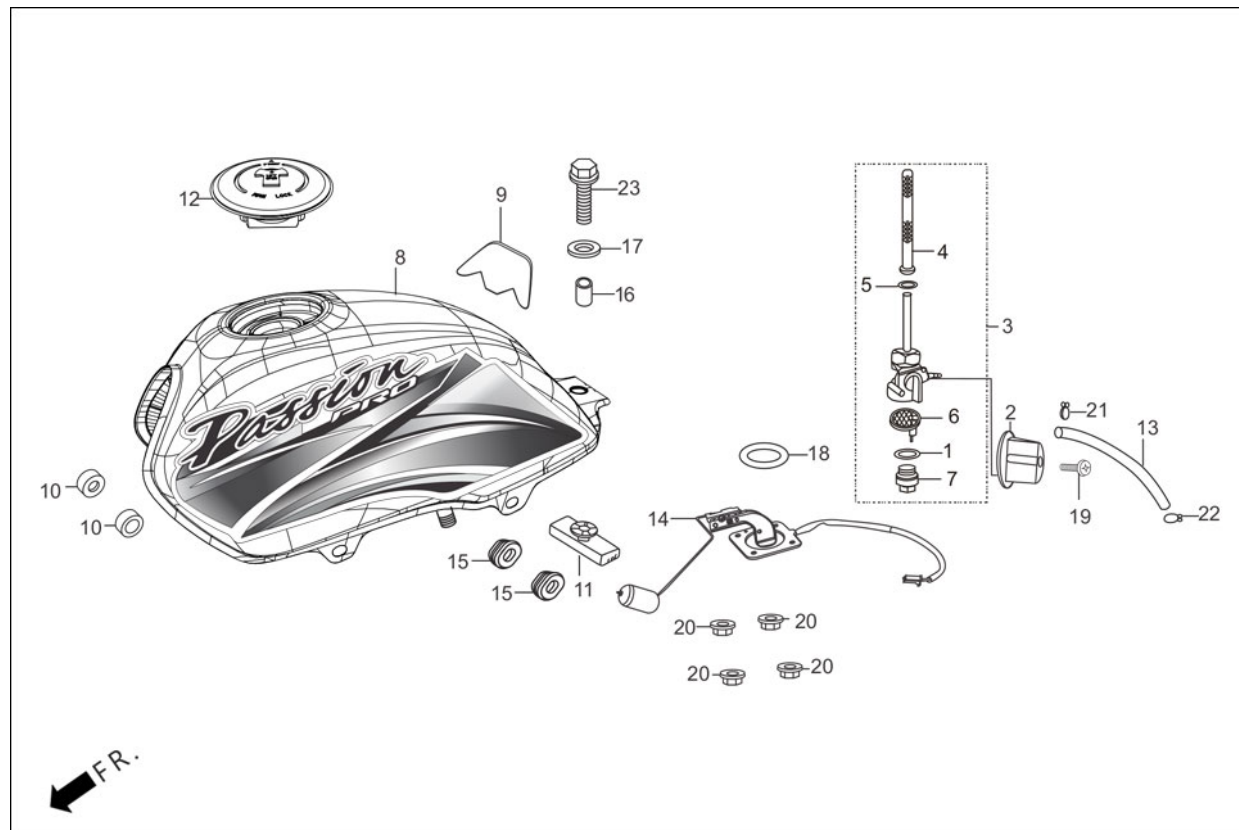
F-12 : SEAT ASSY./COWL/GRIP REAR

	77237-AAC-2002	SET, CENTER RR COWL(MBM, RD-018M)	1
12	77240-AAC-200R	SET, R SIDE COWL(BLK TYPE-1, NH-1)	1
	77240-AAC-200S	SET, R SIDE COWL(BLK TYPE-2, NH-1)	1
	77240-AAC-200T	SET, R SIDE COWL(BLK TYPE-3, NH-1)	1
	77240-AAC-200U	SET, R SIDE COWL(SRD, R-321)	1
	77240-AAC-200V	SET, R SIDE COWL(BYM, YL-002M)	1
	77240-AAC-200W	SET, R SIDE COWL(FSM, NH-411M)	1
	77240-AAC-200X	SET, R SIDE COWL(PFW, NH-341P)	1
	77240-AAC-200Y	SET, R SIDE COWL(MBM, RD-018M)	1
13	77250-AAC-200R	SET, L SIDE COWL(BLK TYPE-1, NH-1)	1
	77250-AAC-200S	SET, L SIDE COWL(BLK TYPE-2, NH-1)	1
	77250-AAC-200T	SET, L SIDE COWL(BLK TYPE-3, NH-1)	1
	77250-AAC-200U	SET, L SIDE COWL(SRD, R-321)	1
	77250-AAC-200V	SET, L SIDE COWL(BYM, YL-002M)	1
	77250-AAC-200W	SET, L SIDE COWL(FSM, NH-411M)	1
	77250-AAC-200X	SET, L SIDE COWL(PFW, NH-341P)	1
	77250-AAC-200Y	SET, L SIDE COWL(MBM, RD-018M)	1
14	81201-KWA-940ZA	GRIP, REAR(BLACK)	1
	81201-AAC-2000	GRIP RR. (MATT BLACK)	1
15	81202-KCC-730Z	STAY, REAR GRIP R	1
16	81203-KCC-730Z	STAY, REAR GRIP L	1
17	90101-GE0-000	SCREW, HINGE PATCH	2

F-12 : SEAT ASSY./COWL/GRIP REAR

18	90107-GZ4-670	BOLT, BREAK OFF	2
19	90320-GC3-000	NUT, SPRING, M5	2
20	93903-24380	SCREW TAPPING, 4 X 12	4
	93903-24380	SCREW TAPPING, 4 X 12	4
21	95701-06012-00	BOLT, FLANGE, 6X12	1
	95701-06012-00	BOLT, FLANGE, 6X12	1
22	95701-06020-00	BOLT, FLANGE, 6X20	4
	95701-06020-00	BOLT, FLANGE, 6X20	4
23	95701-08016-00	BOLT, FLANGE, 8X16	4
	95701-08016-00	BOLT, FLANGE, 8X16	4
24	96700-08040-00	SOCKET, BOLT 8 X 40	4

F-13 : FUEL TANK



F-13 : FUEL TANK

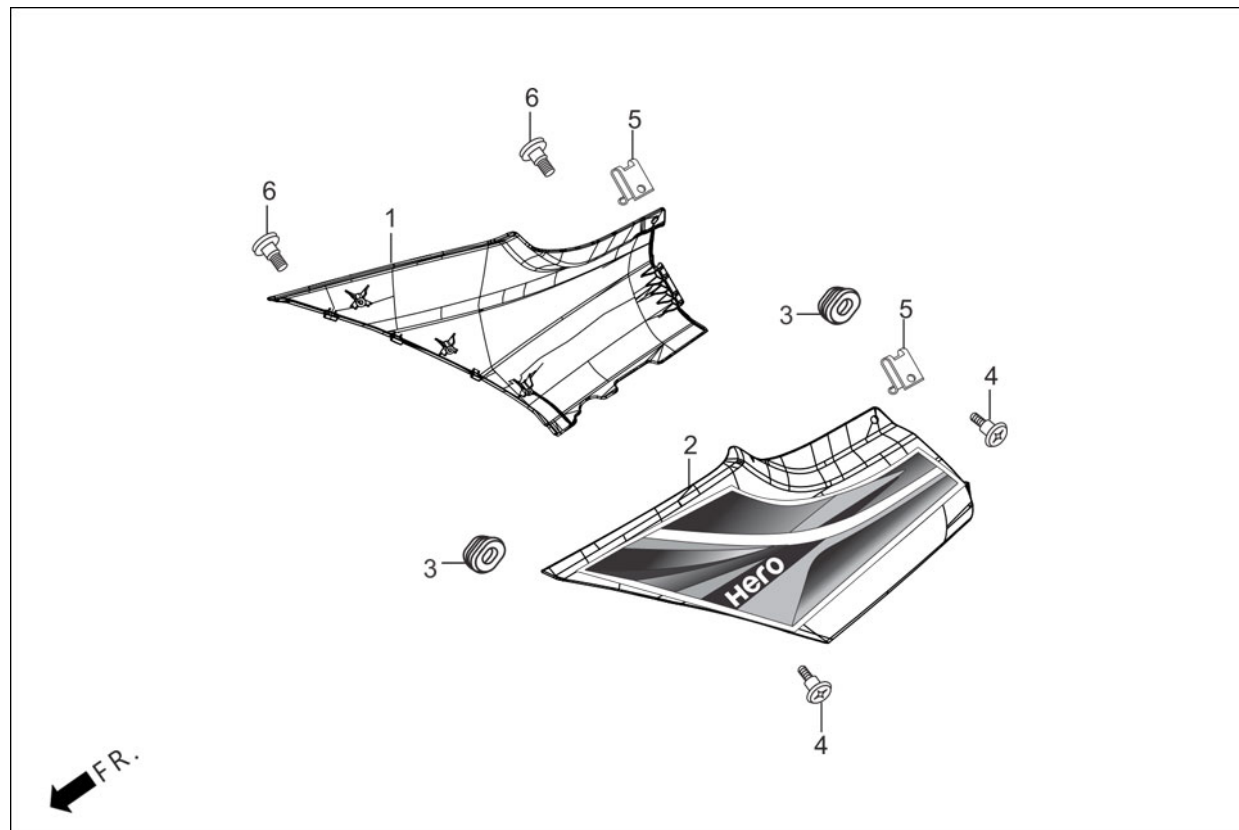
Group Number: F-13 **Model ::** Passion Pro (Aug, 2015)

Ref No.	Part Number	Description	Req.
1	16173-001-000	O- RING	1
2	16955-AAD-A00	LEVER FUEL COCK	1
3	16950-KVH-900	COCK ASSY.,FUEL	1
4	16952-KVH-900	SCREEN SET FUEL STRAINER	1
5	16173-001-000	O- RING	1
6	16959-HB3-000	FILTER, CUP	1
7	16967-GA6-671	CUP, FUEL STRAINER	1
8	17500-AAC-200R	SET, FUEL TANK(BLK TYPE-1, NH-1)	1
	17500-AAC-200S	SET, FUEL TANK(BLK TYPE-2, NH-1)	1
	17500-AAC-200T	SET, FUEL TANK(BLK TYPE-3, NH-1)	1
	17500-AAC-200U	SET, FUEL TANK(SRD, R-321)	1
	17500-AAC-200V	SET, FUEL TANK(BYM, YL-002M)	1
	17500-AAC-200W	SET, FUEL TANK(FSM, NH-411M)	1
	17500-AAC-200X	SET, FUEL TANK(PFW, NH-341P)	1
	17500-AAC-200Y	SET, FUEL TANK(MBM, RD-018M)	1
9	17506-KCC-730	TANK FILM, PROTECTOR	1
10	17611-KCC-900	CUSHION, FR. FUEL TANK	2
11	17613-KCC-900	CUSHION, RR. TANK	1
	17613-KCC-900	CUSHION, RR. TANK	1
12	17620-AAC-200	CAP COMP FUEL FILLER	1

F-13 : FUEL TANK

13	17681-KWA-940	TUBE, FUEL	1
14	37800-KWA-930	UNIT ASSY., FUEL	1
15	83551-300-000	GROMMET, AIR CLEANER CASE	2
	83551-300-000	GROMMET, AIR CLEANER CASE	2
16	90324-KCC-870	COLLAR, 8 MM	1
17	90325-KCC-900	WASHER, PLAIN, 8 MM	1
	90325-KCC-900	WASHER, PLAIN, 8 MM	1
18	91305-MC7-000	O-RING, 39.5 X 5	1
	91305-MC7-000	O-RING, 39.5 X 5	1
19	93500-04025-0G	SCREW, PAN, 4X25	1
	93500-04025-0G	SCREW, PAN, 4X25	1
20	94050-06000	NUT, FLANGE, 6 MM	4
	94050-06000	NUT, FLANGE, 6 MM	4
21	95002-02080	CLIP, TUBE	1
22	95002-02100	CLIP, B-10 TUBE	1
23	95701-08035-00	BOLT, FLANGE, 8 X 35	1
	95701-08035-00	BOLT, FLANGE, 8 X 35	1

F-14 : SIDE COVER



F-14 : SIDE COVER

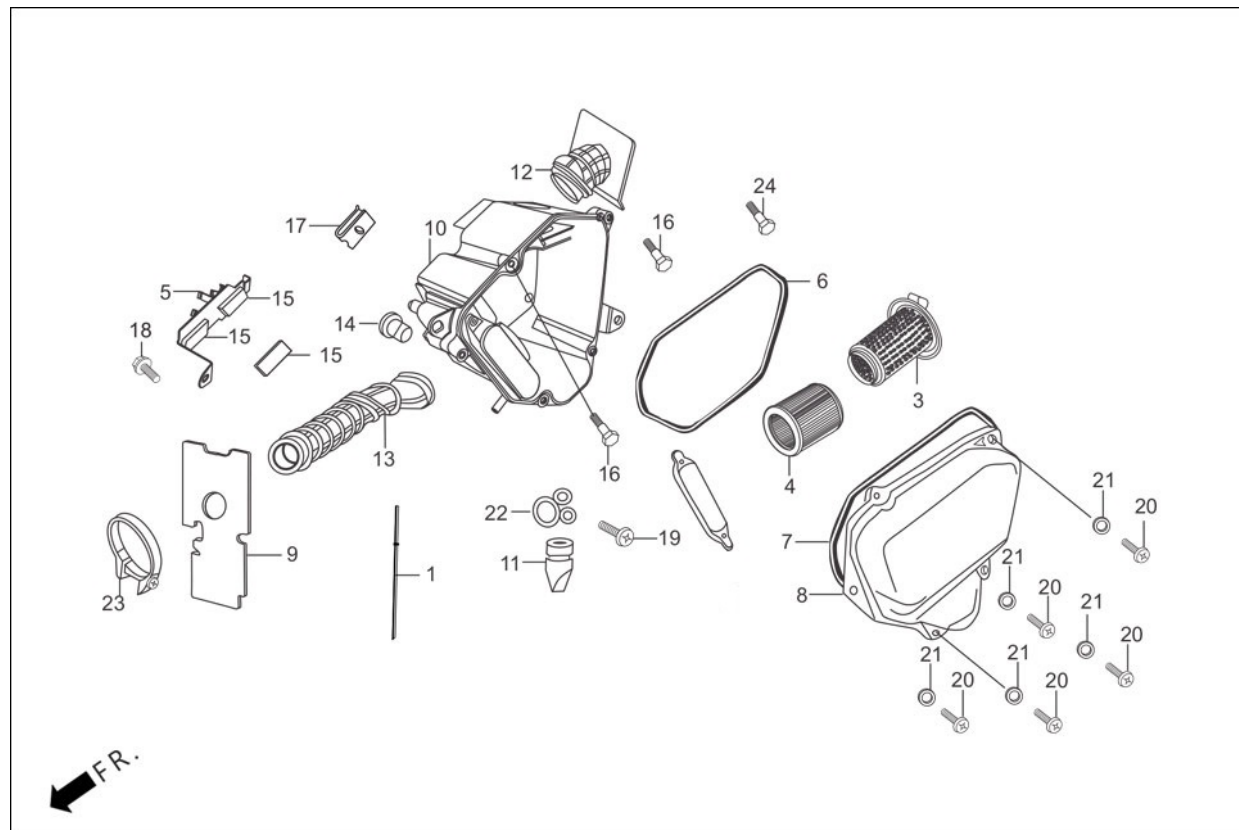
Group Number: F-14 **Model ::** Passion Pro (Aug, 2015)

Ref No.	Part Number	Description	Req.
1	83500-AAC-200R	SET, R SIDE COVER B(BLK TYPE-1, NH-1)	1
	83500-AAC-200S	SET, R SIDE COVER B(BLK TYPE-2, NH-1)	1
	83500-AAC-200T	SET, R SIDE COVER B(BLK TYPE-3, NH-1)	1
	83500-AAC-200U	SET, R SIDE COVER B(SRD, R-321)	1
	83500-AAC-200V	SET, R SIDE COVER B(BYM, YL-002M)	1
	83500-AAC-200W	SET, R SIDE COVER B(FSM, NH-411M)	1
	83500-AAC-200X	SET, R SIDE COVER B(PFW, NH-341P)	1
	83500-AAC-200Y	SET, R SIDE COVER B(MBM, RD-018M)	1
2	83600-AAC-200R	SET, L SIDE COVER B(BLK TYPE-1, NH-1)	1
	83600-AAC-200S	SET, L SIDE COVER B(BLK TYPE-2, NH-1)	1
	83600-AAC-200T	SET, L SIDE COVER B(BLK TYPE-3, NH-1)	1
	83600-AAC-200U	SET, L SIDE COVER B(SRD, R-321)	1
	83600-AAC-200V	SET, L SIDE COVER B(BYM, YL-002M)	1
	83600-AAC-200W	SET, L SIDE COVER B(FSM, NH-411M)	1
	83600-AAC-200X	SET, L SIDE COVER B(PFW, NH-341P)	1
	83600-AAC-200Y	SET, L SIDE COVER B(MBM, RD-018M)	1
3	83551-300-000	GROMMET, AIR CLEANER CASE	2
	83551-300-000	GROMMET, AIR CLEANER CASE	2
4	90101-GE0-000	SCREW, HINGE PATCH	2
5	90320-GC3-000	NUT, SPRING, M5	2

F-14 : SIDE COVER

6	90381-KWA-940	SCREW SPECIAL 6×13	2
	90381-KWA-940	SCREW SPECIAL 6×13	2

F-15-KICK : AIR CLEANER



F-15-KICK : AIR CLEANER

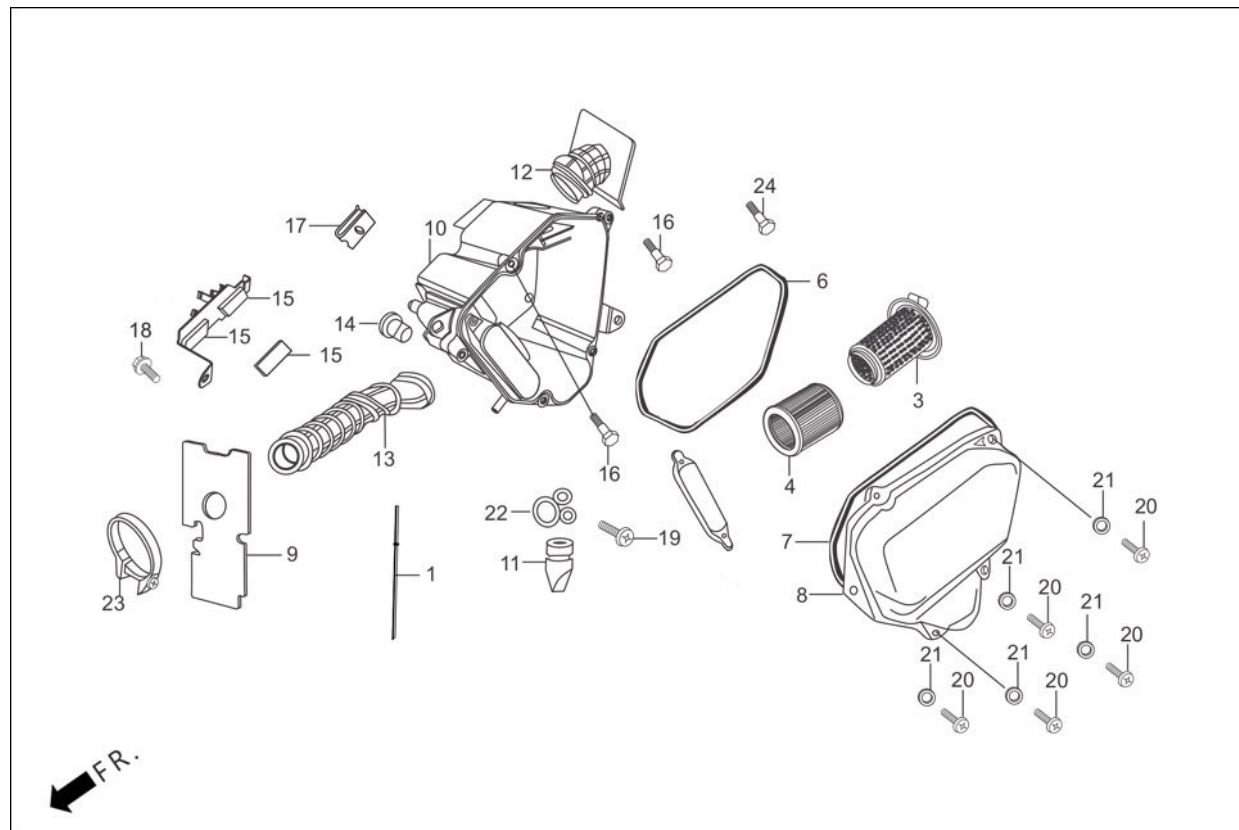
Group Number: F-15-KICK Model :: Passion Pro (Aug, 2015)

Ref No.	Part Number	Description	Req.
1	17199-AAC-200	TUBE DRAIN	1
3	17212-KCC-900	HOLDER ELEMENT	1
4	17213-AAC-A0099	ELEMENT AIR CLEANER	1
5	17214-AAC-220	BAND, BATTERY	1
6	17218-KTC-900	SEAL AIR CLEANER	1
7	17219-KTC-900	SEAL, A/I CLEANER	1
	17219-KTC-900	SEAL, A/I CLEANER	1
8	17220-KWA-940	COVER AIR CLEANER	1
9	17224-KWA-830	WATER, GUARD FR	1
10	17210-KWA-840	CASE, AIR/C	1
11	17234-KCC-940	TUBE AIR CLEANER DRAIN	1
	17234-KCC-940	TUBE AIR CLEANER DRAIN	1
12	17251-KWA-940	DUCT AIR/C INLET	1
13	17253-KTC-900	TUBE, AIR/C CONN.	1
14	18651-KST-900	PLUG,AIR/C	1
15	83407-KTR-940	RUBBER, BATTERY	3
	83407-KTR-940	RUBBER, BATTERY	3
16	90111-187-000	BOLT, FLANGE. 6 MM	2
	90111-187-000	BOLT, FLANGE. 6 MM	2
17	90311-MT3-000	NUT, CLIP, 6 MM	1

F-15-KICK : AIR CLEANER

18	90101-KWA-830	BOLT FLANGE 6X18	1
19	93903-24380	SCREW TAPPING, 4 X 12	1
	93903-24380	SCREW TAPPING, 4 X 12	1
20	93500-05016-0A	SCREW, PAN, 5 X 16	5
	93500-05016-0A	SCREW, PAN, 5 X 16	5
21	94101-05000	WASHER , PLAIN, 5MM	5
22	95002-02130	CLIP B 12.5 TUBE	1
23	95018-46320	BAND 46 AIR/C CONN. TUBE	1
24	95701-06012-00	BOLT, FLANGE, 6X12	1
	95701-06012-00	BOLT, FLANGE, 6X12	1

F-15-SELF : AIR CLEANER



F-15-SELF : AIR CLEANER

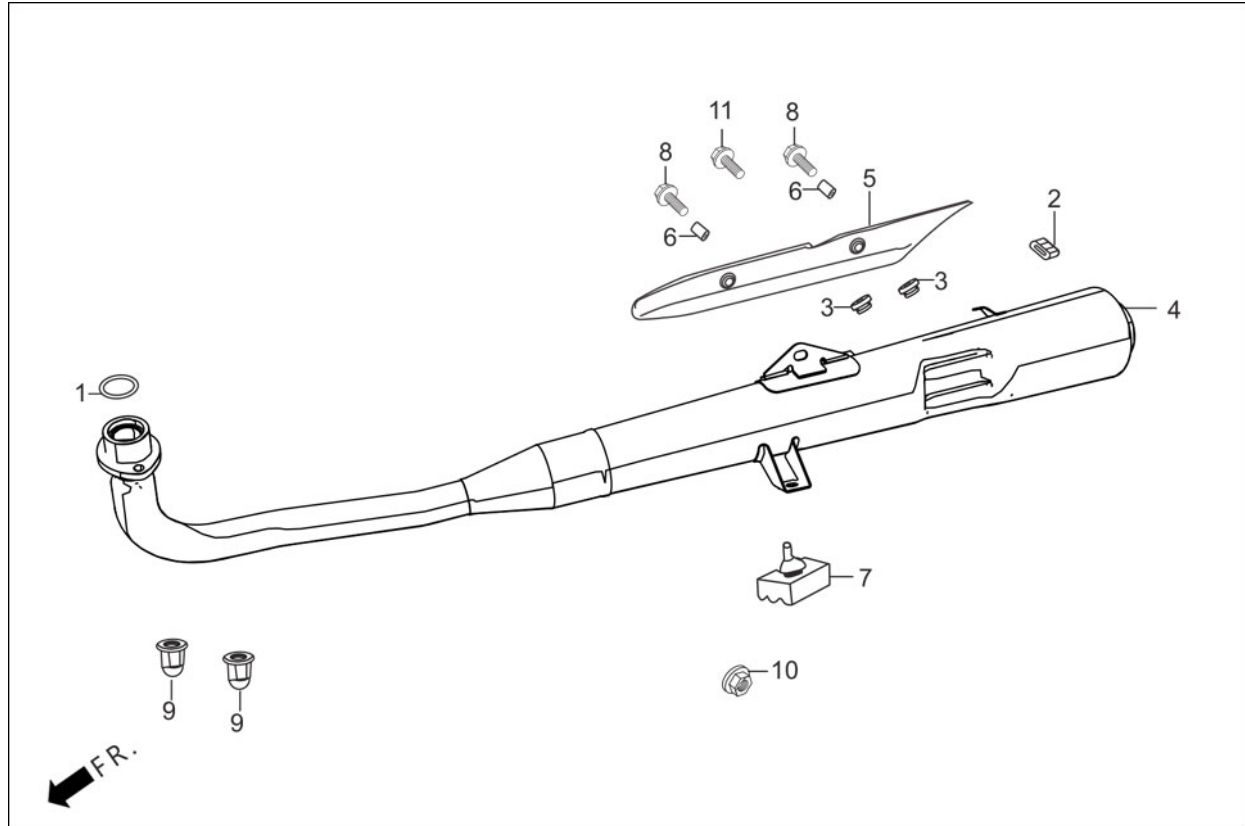
Group Number: F-15-SELF Model :: Passion Pro (Aug, 2015)

Ref No.	Part Number	Description	Req.
1	17199-AAC-200	TUBE DRAIN	1
3	17212-KCC-900	HOLDER ELEMENT	1
4	17213-AAC-A0099	ELEMENT AIR CLEANER	1
6	17218-KTC-900	SEAL AIR CLEANER	1
7	17219-KTC-900	SEAL, A/I CLEANER	1
	17219-KTC-900	SEAL, A/I CLEANER	1
8	17220-KWA-940	COVER AIR CLEANER	1
9	17224-KWA-830	WATER, GUARD FR	1
10	17210-KWA-840	CASE, AIR/C	1
11	17234-KCC-940	TUBE AIR CLEANER DRAIN	1
	17234-KCC-940	TUBE AIR CLEANER DRAIN	1
12	17251-KWA-940	DUCT AIR/C INLET	1
13	17253-KTC-900	TUBE, AIR/C CONN.	1
14	18651-KST-900	PLUG,AIR/C	1
15	83407-KTR-940	RUBBER, BATTERY	3
	83407-KTR-940	RUBBER, BATTERY	3
16	90111-187-000	BOLT, FLANGE. 6 MM	2
	90111-187-000	BOLT, FLANGE. 6 MM	2
17	90311-MT3-000	NUT, CLIP, 6 MM	1
18	90101-KWA-830	BOLT FLANGE 6X18	1

F-15-SELF : AIR CLEANER

19	93903-24380	SCREW TAPPING, 4 X 12	1
	93903-24380	SCREW TAPPING, 4 X 12	1
20	93500-05016-0A	SCREW, PAN, 5 X 16	5
	93500-05016-0A	SCREW, PAN, 5 X 16	5
21	94101-05000	WASHER , PLAIN, 5MM	5
22	95002-02130	CLIP B 12.5 TUBE	1
23	95018-46320	BAND 46 AIR/C CONN. TUBE	1
24	95701-06012-00	BOLT, FLANGE, 6X12	1
	95701-06012-00	BOLT, FLANGE, 6X12	1

F-16 : MUFFLER

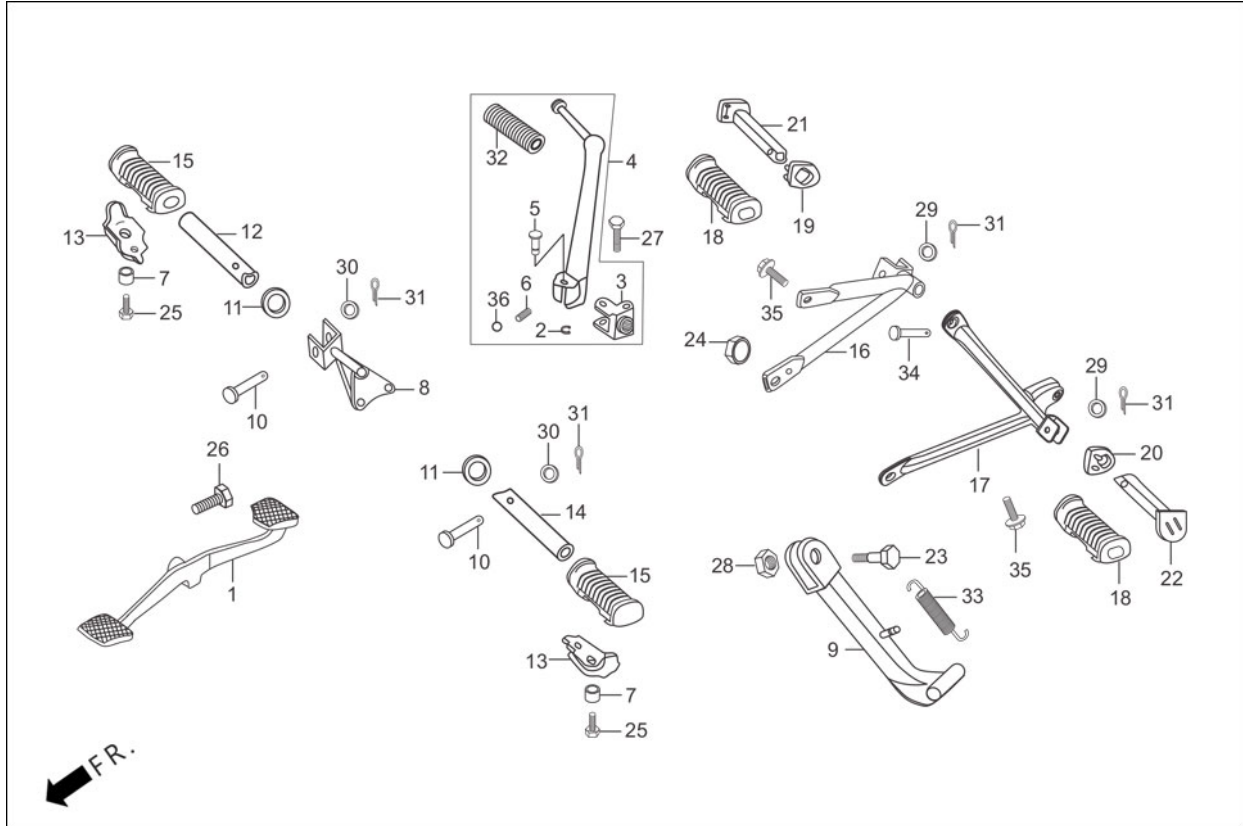


F-16 : MUFFLER

Group Number: F-16 **Model ::** Passion Pro (Aug, 2015)

Ref No.	Part Number	Description	Req.
1	18291-KTC-900	GASKET, EXHAUST PIPE	1
2	18293-KPK-900	RUBBER, PKG. PROTECTOR	1
	18293-KPK-900	RUBBER, PKG. PROTECTOR	1
3	18345-MBT-610	RUBBER, PROTECTOR, MOUNT	2
	18345-MBT-610	RUBBER, PROTECTOR, MOUNT	2
4	18350-AAC-201	MUFFLER COMP. EXH.	1
5	18355-AAC-200	COVER MUFFLER	1
6	33619-459-840A	COLLAR,WINKER STAY	2
	33619-459-840A	COLLAR,WINKER STAY	2
7	50505-KCC-900	STOPPER RUBBER, A STAND	1
	50505-KCC-900	STOPPER RUBBER, A STAND	1
8	90107-KAN-900	BOLT, BODY COVER SET	2
	90107-KAN-900	BOLT, BODY COVER SET	2
9	90304-438-000	NUT, HEX. CAP, 6 MM	2
10	94050-08000	NUT, FLANGE, 8MM	1
	94050-08000	NUT, FLANGE, 8MM	1
11	95701-08016-00	BOLT, FLANGE, 8X16	1
	95701-08016-00	BOLT, FLANGE, 8X16	1

F-17 : STEP ASSY./KICK STARTER



F-17 : STEP ASSY./KICK STARTER

Group Number: F-17 **Model ::** Passion Pro (Aug, 2015)

Ref No.	Part Number	Description	Req.
1	24701-KWA-940	PEDAL, GEAR CHANGE	1
2	28293-KAG-900	CLIP, KICK STARTER	1
3	28302-KWA-940	JOINT KICK ARM	1
4	2830A-KWA-941	ARM, SUB ASSY., KICK STARTER	1
5	28321-427-770	PIN KICK STARTER	1
6	28333-124-000	SPRING, KICK STARTER STOPPER	1
7	37243-323-000	COLLAR , METER SET	2
	37243-323-000	COLLAR , METER SET	2
8	50160-KCC-900	BRACKET COMP., R STEP	1
9	50530-KCC-900	BAR COMP. SIDE STAND	1
10	50603-KB4-000	PIN, MAIN STEP BAR JOINT	2
11	50614-413-000	WASHER, MAIN STEP	2
	50614-413-000	WASHER, MAIN STEP	2
12	50618-KCC-000	BAR R STEP	1
13	50619-425-010	STOPPER, STEP RUBBER	2
14	50619-KCC-000	BAR L STEP	1
15	50661-425-670	RUBBER STEP	2
	50661-425-670	RUBBER STEP	2
16	50701-KWA-830	BRACKET COMP, RPILLION STEP	1
17	50702-KST-940	BRACKET COMP. L PILLION STEP	1

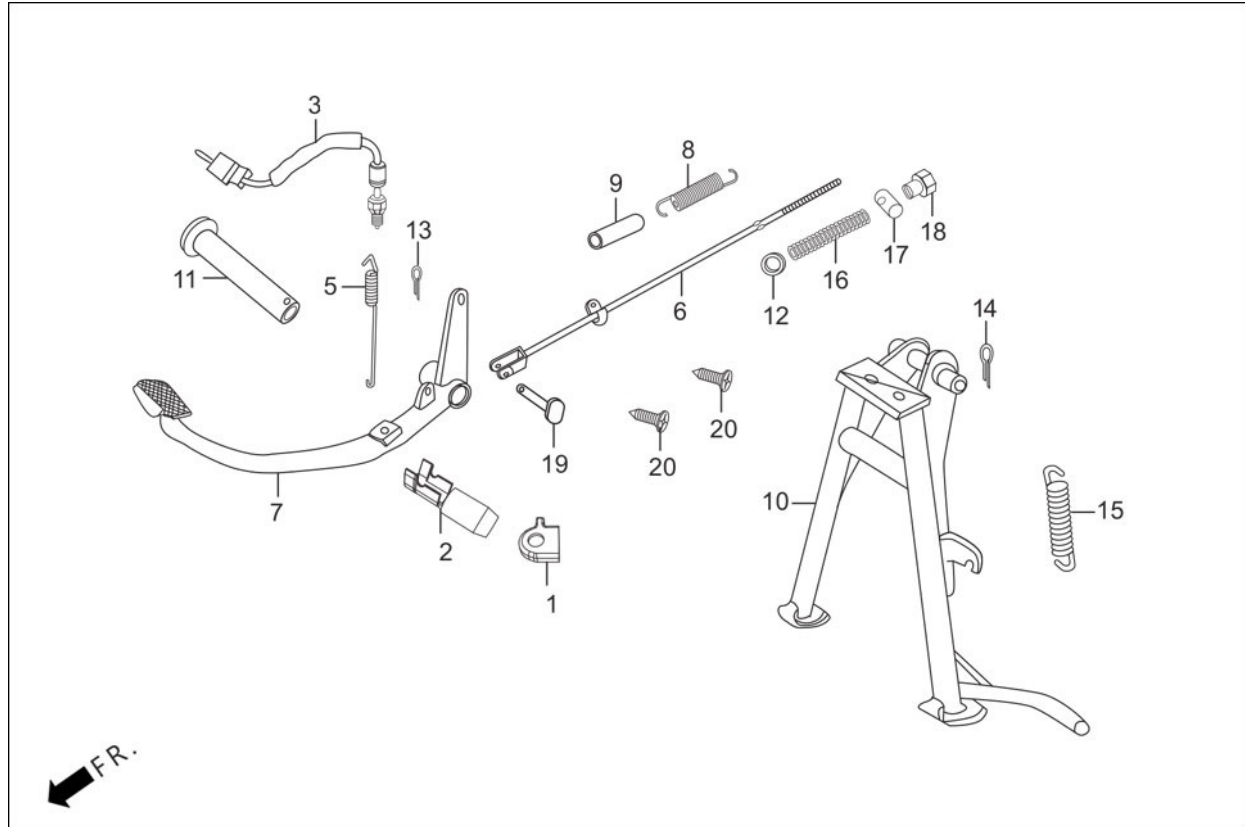
F-17 : STEP ASSY./KICK STARTER

18	50710-461-770	RUBBER, STEP PILLION	2
	50710-461-770	RUBBER, STEP PILLION	2
19	50712-438-730	WASHER, R PILLON STEP	1
	50712-438-730	WASHER, R PILLON STEP	1
20	50713-438-730	WASHER L PILLOIN STEP	1
	50713-438-730	WASHER L PILLOIN STEP	1
21	50715-KCC-900	BAR R PILLION STEP	1
	50715-KCC-900	BAR R PILLION STEP	1
22	50718-KCC-900	BAR L PILLION STEP	1
	50718-KCC-900	BAR L PILLION STEP	1
23	90107-AAD-000	SCREW, SIDE STAND PIVOT	1
24	90304-KST-942	NUT FLG.PT 10MM	1
	90304-KST-942	NUT FLG.PT 10MM	1
25	92000-06016-0A	BOLT, HEX., 6 X 16	2
	92000-06016-0A	BOLT, HEX., 6 X 16	2
26	92000-06020-0H	BOLT HEX., 6 X 20	1
27	92101-06032-0A	BOLT, FLANGE, 6 X 32	1
28	94030-10000	NUT HEX., 10MM	1
	94030-10000	NUT HEX., 10MM	1
29	94101-06000	WASHER, PLAIN, 6 MM	2
	94101-06000	WASHER, PLAIN, 6 MM	2
30	94101-08000	WASHER, PLAIN, 8MM	2

F-17 : STEP ASSY./KICK STARTER

	94101-08000	WASHER, PLAIN, 8MM	2
31	94201-16150	PIN, SPLIT, 1.6 X 15	4
	94201-16150	PIN, SPLIT, 1.6 X 15	4
32	95011-51000	RUBBER, A KICK STARTER	1
33	95014-72302	SPRING, C SIDE STAND	1
	95014-72302	SPRING, C SIDE STAND	1
34	95015-81000	PIN A PILLION STEP	1
35	95701-08016-07	BOLT FLANGE, 8 X 16	2
	95701-08016-07	BOLT FLANGE, 8 X 16	2
36	96211-08000	BALL STEEL 8 MM	1
	96211-08000	BALL STEEL 8 MM	1

F-18-KICK : MAIN STAND/PEDAL BRAKE



F-18-KICK : MAIN STAND/PEDAL BRAKE

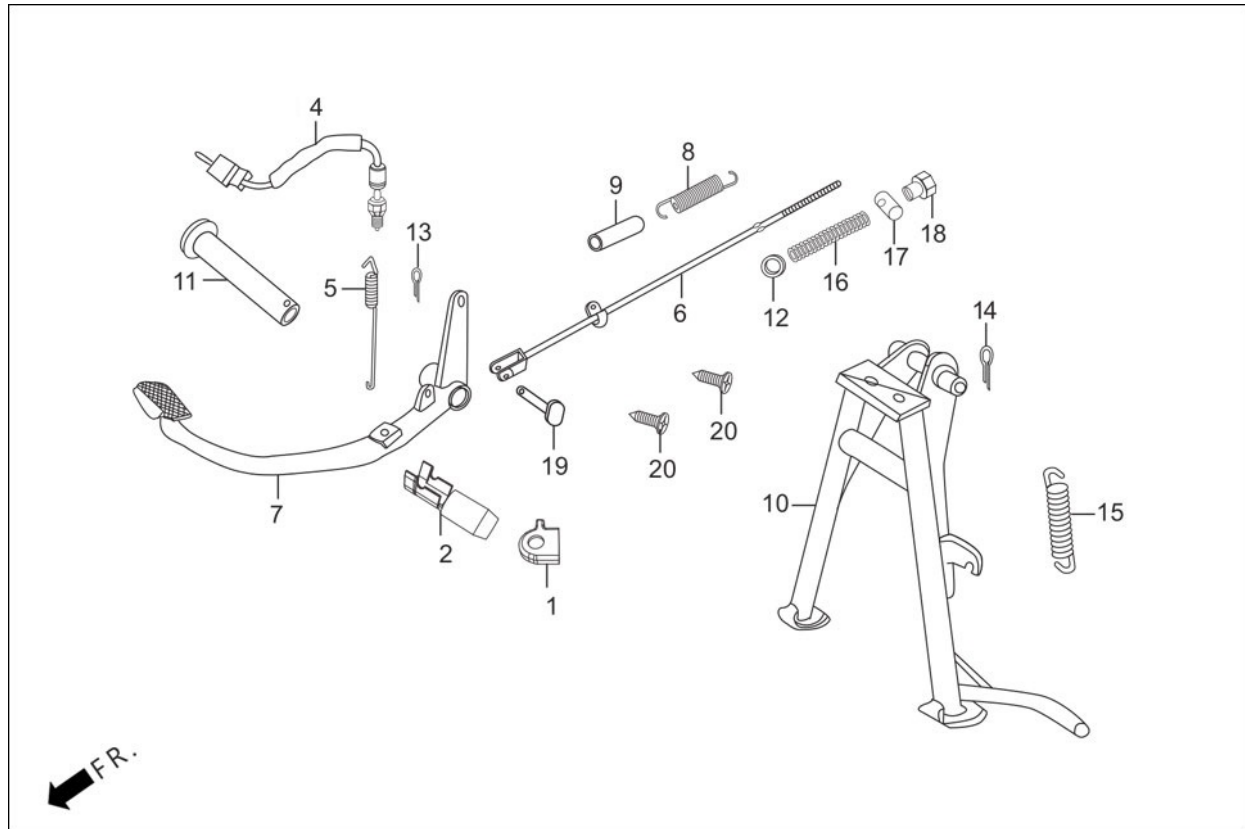
Group Number: F-18-KICK Model :: Passion Pro (Aug, 2015)

Ref No.	Part Number	Description	Req.
1	35130-AAD-00099	MAGNET HOLDER	1
2	35140-AAD-00099	SENSOR ASSY SIDE STAND	1
3	35350-KWA-930	SWITCH ASSY., REAR STOP (KICK)	1
5	35357-KWA-830	SPRING, STOP SWITCH	1
6	43451-KCC-600	ROD COMP. RR. BRAKE	1
7	46500-KWA-830	PEDAL,, BRAKE.	1
8	46514-KCC-900	SPRING , BRAKE PEDAL	1
	46514-KCC-900	SPRING , BRAKE PEDAL	1
9	46515-KB9-000	TUBE , BRAKE PEDAL SPRING	1
	46515-KB9-000	TUBE , BRAKE PEDAL SPRING	1
10	50500-KCC-870	STAND COMP. MAIN	1
11	50512-KTC-900	PIPE, RR. BRAKE PIVOT	1
	50512-KTC-900	PIPE, RR. BRAKE PIVOT	1
12	90502-198-900	WASHER , BRAKE ROD	1
	90502-198-900	WASHER , BRAKE ROD	1
13	94201-20150	PIN, SPLIT, 2.0 X 15	1
	94201-20150	PIN, SPLIT, 2.0 X 15	1
14	94201-30250	PIN, SPLIT, 3.0 X 25	1
	94201-30250	PIN, SPLIT, 3.0 X 25	1
15	95014-71702	SPRING G MAIN STAND	1

F-18-KICK : MAIN STAND/PEDAL BRAKE

	95014-71702	SPRING G MAIN STAND	1
16	95014-73100	SPRING A BRAKE ROD	1
	95014-73100	SPRING A BRAKE ROD	1
17	95015-32001	JOINT B BRAKE ARM	1
	95015-32001	JOINT B BRAKE ARM	1
18	95015-42000	NUT B ADJUST	1
	95015-42000	NUT B ADJUST	1
19	95015-53000	PIN, C JOINT	1
	95015-53000	PIN, C JOINT	1
20	93891-05014-18	SCREW, WASHER, 5 X 14	2

F-18-SELF : MAIN STAND/PEDAL BRAKE



F-18-SELF : MAIN STAND/PEDAL BRAKE

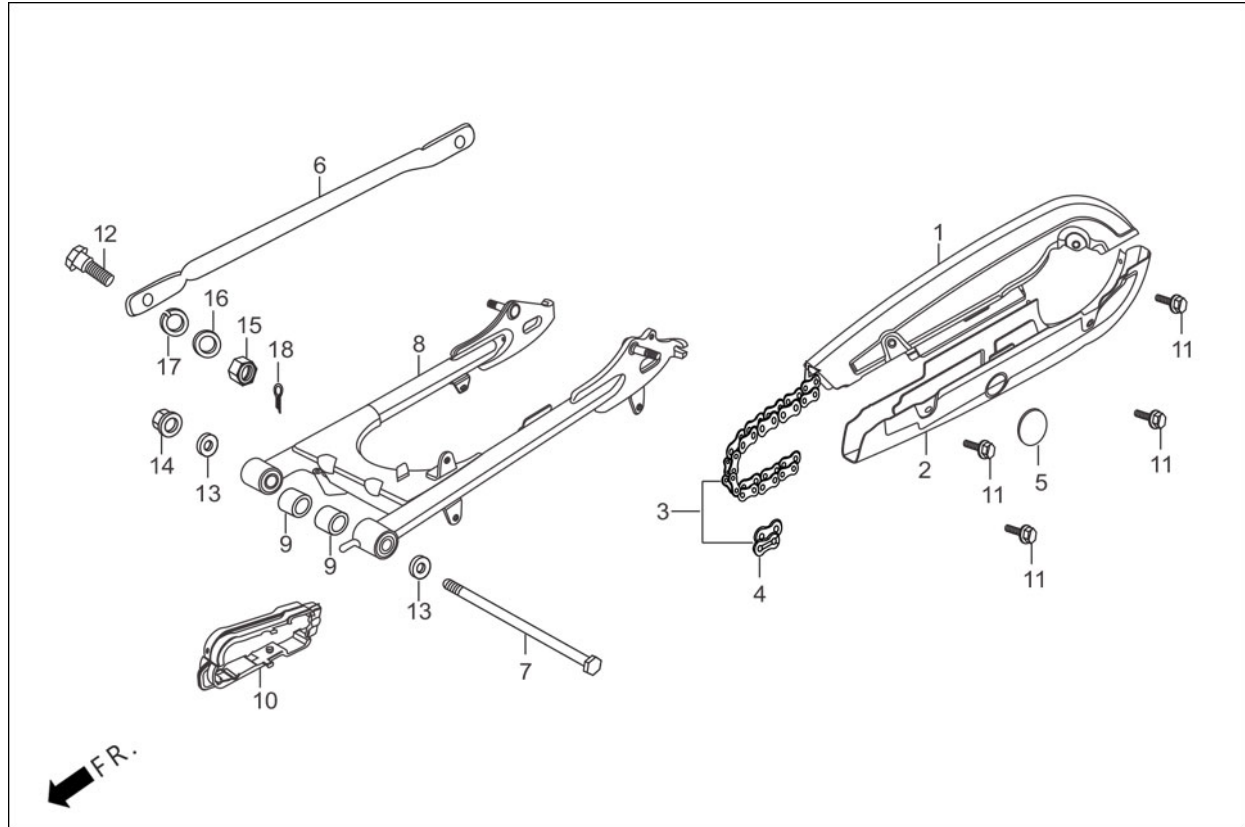
Group Number: F-18-SELF Model :: Passion Pro (Aug, 2015)

Ref No.	Part Number	Description	Req.
1	35130-AAD-00099	MAGNET HOLDER	1
2	35140-AAD-00099	SENSOR ASSY SIDE STAND	1
4	35350-KWA-940	SWITCH ASSY., REAR STOP (SELF)	1
5	35357-KWA-830	SPRING, STOP SWITCH	1
6	43451-KCC-600	ROD COMP. RR. BRAKE	1
7	46500-KWA-830	PEDAL,, BRAKE.	1
8	46514-KCC-900	SPRING , BRAKE PEDAL	1
	46514-KCC-900	SPRING , BRAKE PEDAL	1
9	46515-KB9-000	TUBE , BRAKE PEDAL SPRING	1
	46515-KB9-000	TUBE , BRAKE PEDAL SPRING	1
10	50500-KCC-870	STAND COMP. MAIN	1
11	50512-KTC-900	PIPE, RR. BRAKE PIVOT	1
	50512-KTC-900	PIPE, RR. BRAKE PIVOT	1
12	90502-198-900	WASHER , BRAKE ROD	1
	90502-198-900	WASHER , BRAKE ROD	1
13	94201-20150	PIN, SPLIT, 2.0 X 15	1
	94201-20150	PIN, SPLIT, 2.0 X 15	1
14	94201-30250	PIN, SPLIT, 3.0 X 25	1
	94201-30250	PIN, SPLIT, 3.0 X 25	1
15	95014-71702	SPRING G MAIN STAND	1

F-18-SELF : MAIN STAND/PEDAL BRAKE

	95014-71702	SPRING G MAIN STAND	1
16	95014-73100	SPRING A BRAKE ROD	1
	95014-73100	SPRING A BRAKE ROD	1
17	95015-32001	JOINT B BRAKE ARM	1
	95015-32001	JOINT B BRAKE ARM	1
18	95015-42000	NUT B ADJUST	1
	95015-42000	NUT B ADJUST	1
19	95015-53000	PIN, C JOINT	1
	95015-53000	PIN, C JOINT	1
20	93891-05014-18	SCREW, WASHER, 5 X 14	2

F-19 : REAR FORK/CHAIN CASE



F-19 : REAR FORK/CHAIN CASE

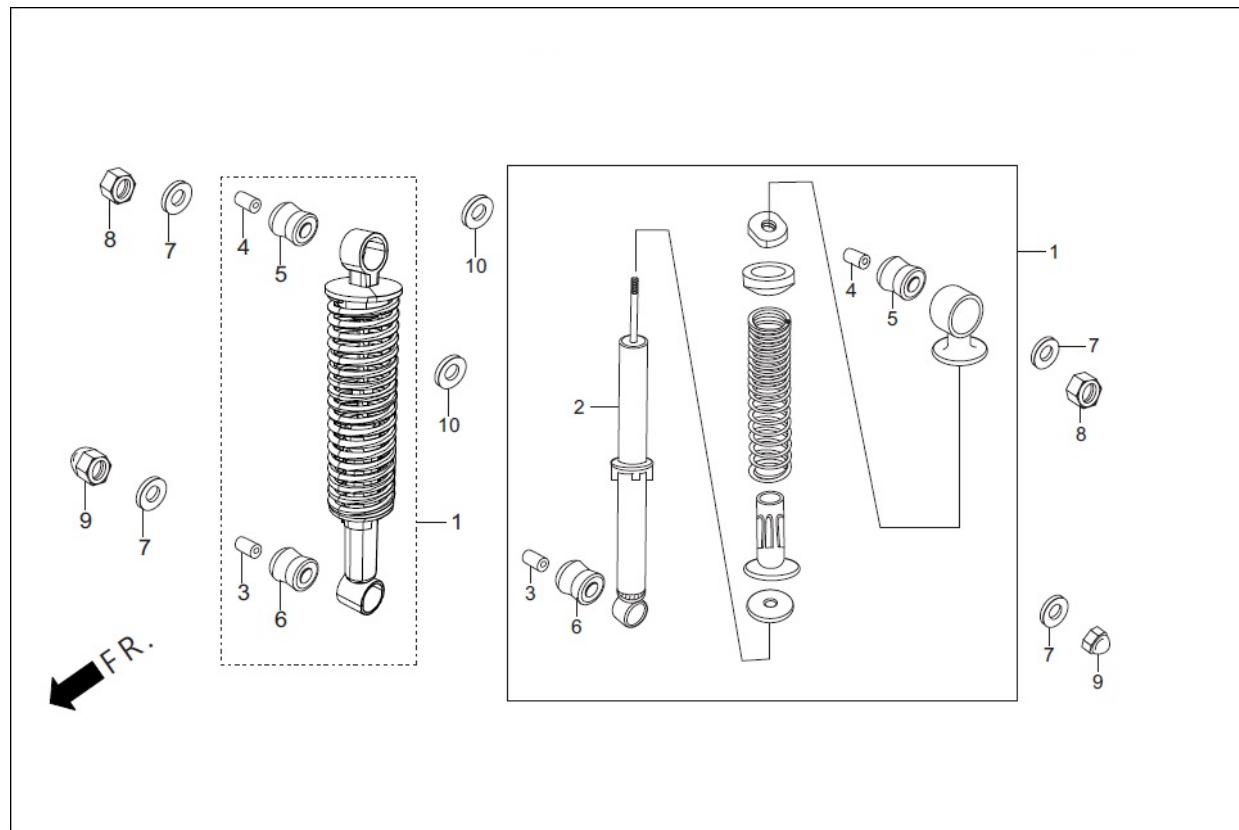
Group Number: F-19 Model :: Passion Pro (Aug, 2015)

Ref No.	Part Number	Description	Req.
1	40510-KWA-940	CASE UP (HALF) DRIVE CHAIN	1
2	40520-KWA-940	CASE UND (HALF) DRIVE CHAIN	1
3	40530-KST-940	CHAIN DRIVE (420-108)	1
4	40531-KTE-910	JOINT RJ.DRIVE CHAIN	1
5	40545-001-000	CAP, CHAIN PEEP HOLE	1
	40545-001-000	CAP, CHAIN PEEP HOLE	1
6	43431-198-900	ARM,RR. BRAKE STOPPER	1
7	52101-KST-940	BOLT, SWING ARM PIVOT	1
8	52110-AAC-400	SWINGARM COMP., REAR	1
9	52147-KTC-900	RUBBER BUSH, RR. FORK PIVOT	2
	52147-KTC-900	RUBBER BUSH, RR. FORK PIVOT	2
10	52170-AAJ-H40	SLIDER CHAIN	1
11	90118-383-000	BOLT, WASHER, 6 X6	4
12	90133-331-770	BOLT, HEX., 8MM	1
	90133-331-770	BOLT, HEX., 8MM	1
13	90183-KTC-900	WASHER, SPL., 12 MM	2
	90183-KTC-900	WASHER, SPL., 12 MM	2
14	90306-KTE-911	NUT, CASTLE, 12 MM	1
	90306-KTE-911	NUT, CASTLE, 12 MM	1
15	94001-08000-0S	NUT, HEX., 8 MM	1

F-19 : REAR FORK/CHAIN CASE

	94001-08000-0S	NUT, HEX., 8 MM	1
16	94101-08000	WASHER, PLAIN, 8MM	1
	94101-08000	WASHER, PLAIN, 8MM	1
17	94111-10000	WASHER, SPRING, 10MM	1
	94111-10000	WASHER, SPRING, 10MM	1
18	94201-20150	PIN, SPLIT, 2.0 X 15	1
	94201-20150	PIN, SPLIT, 2.0 X 15	1

F-20 : REAR CUSHION

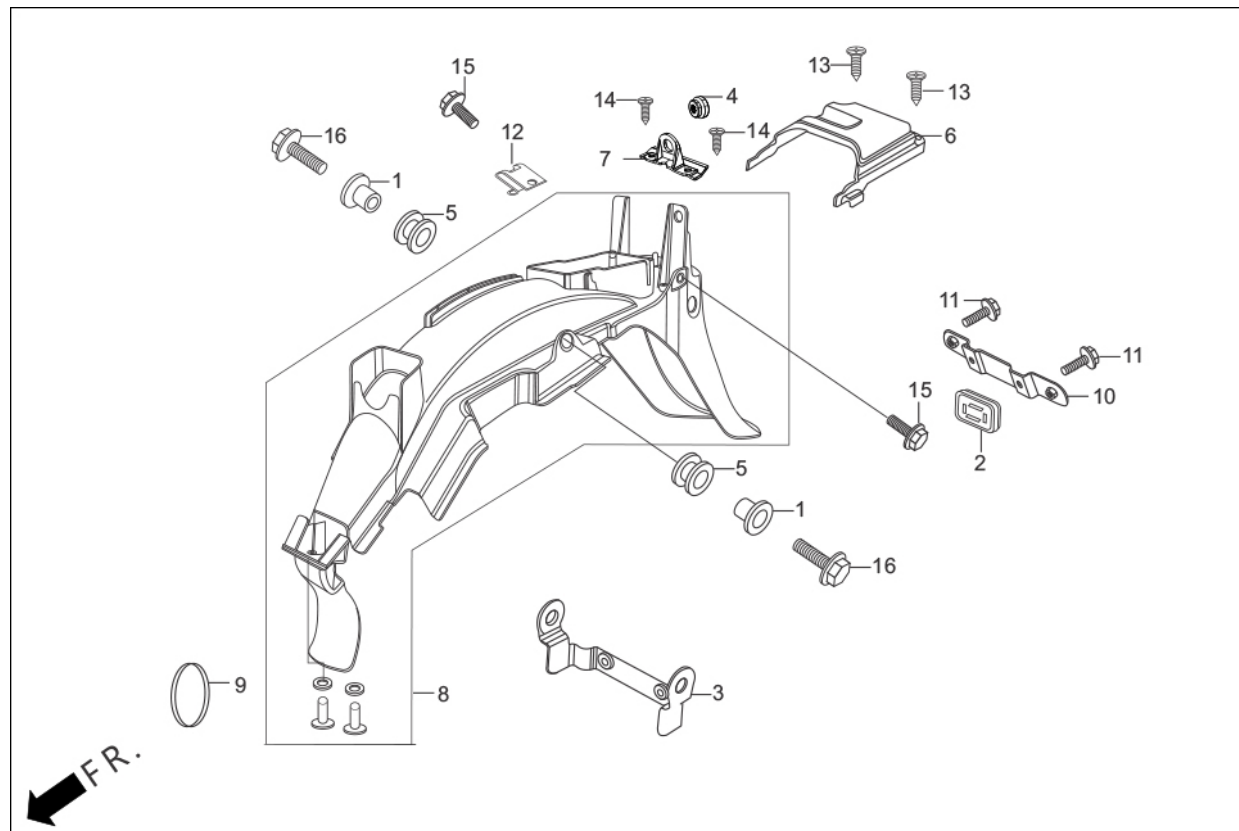


F-20 : REAR CUSHION

Group Number: F-20 **Model ::** Passion Pro (Aug, 2015)

Ref No.	Part Number	Description	Req.
1	52400-KWA-90099	CUSHION ASSY REAR	2
2	52410-KCC-871	DAMPER COMP., REAR	2
3	52486-KAG-900	COLLAR ,RUBBER BUSH (UNDER)	2
4	52486-KTN-701	COLLAR, RUBBER BUSH (UPPER)	2
5	52489-399-600	BUSH ,RUBBER (UPPER)	2
6	52495-098-000	BUSH, RUBBER (UNDER)	2
7	90551-178-000	WASHER,SPL., 10MM	4
	90551-178-000	WASHER,SPL., 10MM	4
8	94001-10000-0S	NUT, HEX., 10 MM	2
9	94021-10000-0S	NUT, HEX., CAP, 10MM	2
	94021-10000-0S	NUT, HEX., CAP, 10MM	2
10	94101-12000	WASHER, PLAIN, 12MM	2
	94101-12000	WASHER, PLAIN, 12MM	2

F-21 : REAR FENDER



F-21 : REAR FENDER

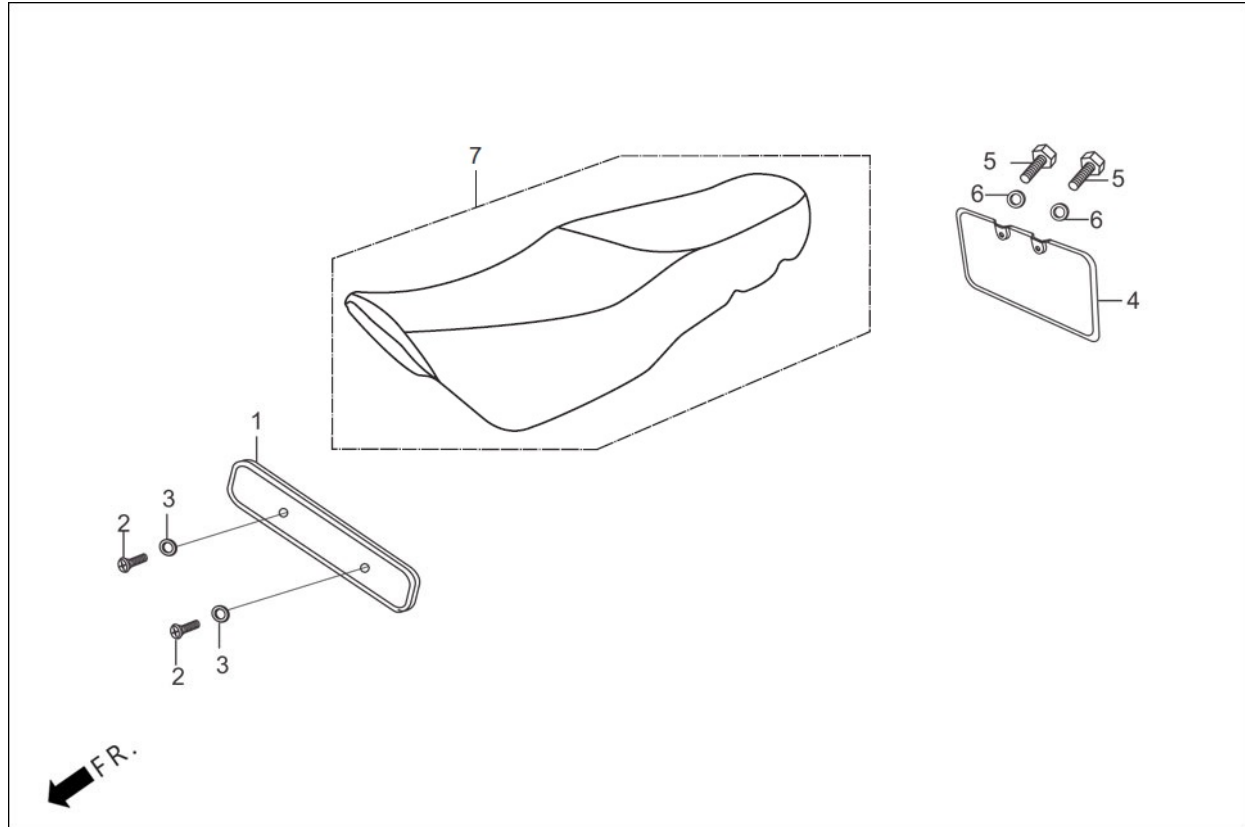
Group Number: F-21 **Model ::** Passion Pro (Aug, 2015)

Ref No.	Part Number	Description	Req.
1	17509-398-960	COLLAR, TANK SET	2
	17509-398-960	COLLAR, TANK SET	2
2	33741-KTC-900	REFLEX, REFLECTOR	1
3	50186-KWA-830	STAY, RR. WINKER	1
4	61304-KRY-900	RUBBER,LIGHT CASE MOUNT	1
5	77202-KCC-900	RUBBER, SEAT MOUNTING	2
	77202-KCC-900	RUBBER, SEAT MOUNTING	2
6	80104-KCC-870H	COVER TOOL TRAY	1
7	80105-AAC-220	PLATE RR FENDER	1
8	80120-AAC-H30	SET, REAR FENDER	1
9	80123-KCC-870	BAND, TOOL	1
10	84701-KCC-860	BRACKET, NUMBER PLATE	1
	84701-KCC-860	BRACKET, NUMBER PLATE	1
11	90111-187-000	BOLT, FLANGE. 6 MM	2
	90111-187-000	BOLT, FLANGE. 6 MM	2
12	90320-GC3-000	NUT, SPRING, M5	1
13	93913-25210	SCREW, TAPPING, 5 X 12	2
14	93903-24380	SCREW TAPPING, 4 X 12	2
	93903-24380	SCREW TAPPING, 4 X 12	2
15	95701-06012-00	BOLT, FLANGE, 6X12	2

F-21 : REAR FENDER

	95701-06012-00	BOLT, FLANGE, 6X12	2
16	95701-06020-00	BOLT, FLANGE, 6X20	2
	95701-06020-00	BOLT, FLANGE, 6X20	2

F-21A : FR./RR. NUMBER/PLATE (OPTIONAL)

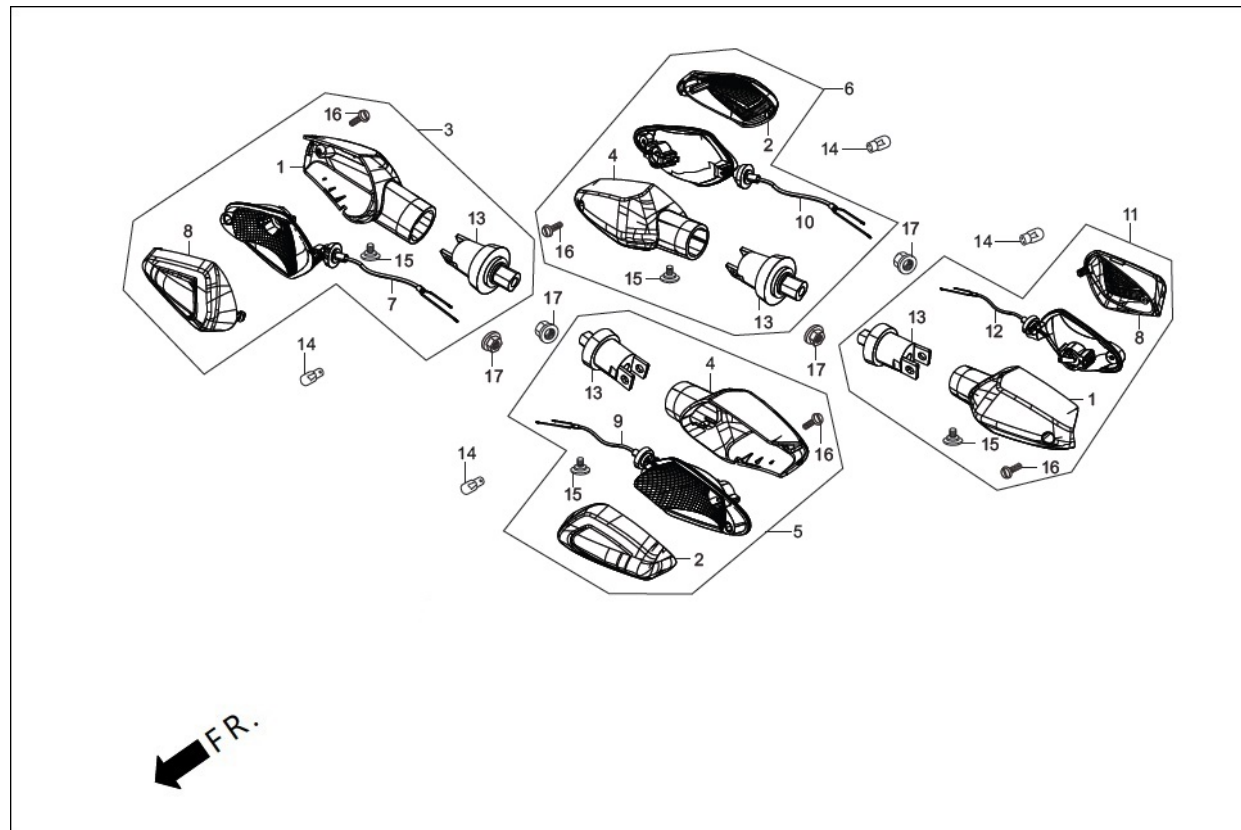


F-21A : FR./RR. NUMBER/PLATE (OPTIONAL)

Group Number: F-21A **Model ::** Passion Pro (Aug, 2015)

Ref No.	Part Number	Description	Req.
1	64310-198-D20A	PLATE, FRONT NUMBER	1
	64310-198-D20A	PLATE, FRONT NUMBER	1
2	93500-05010-1A	SCREW, PAN, 5X10	2
3	94101-05000	WASHER , PLAIN, 5MM	2
4	84701-P26-D00A	NUMBER, PLATE REAR	1
5	92000-06016-0A	BOLT, HEX., 6 X 16	2
	92000-06016-0A	BOLT, HEX., 6 X 16	2
6	94101-06000	WASHER, PLAIN, 6 MM	2
	94101-06000	WASHER, PLAIN, 6 MM	2
7	99632-AAC-831	SEAT COVER-SL SIDE & LAMINATION PASSION	1
	99633-AAC-831	SEAT COVER-MESH & LAMINATION PASSION P	1
	99634-AAC-831	SEAT COVER-SL TOP & LAMINATION PASSION P	1

F-22 : WINKERS

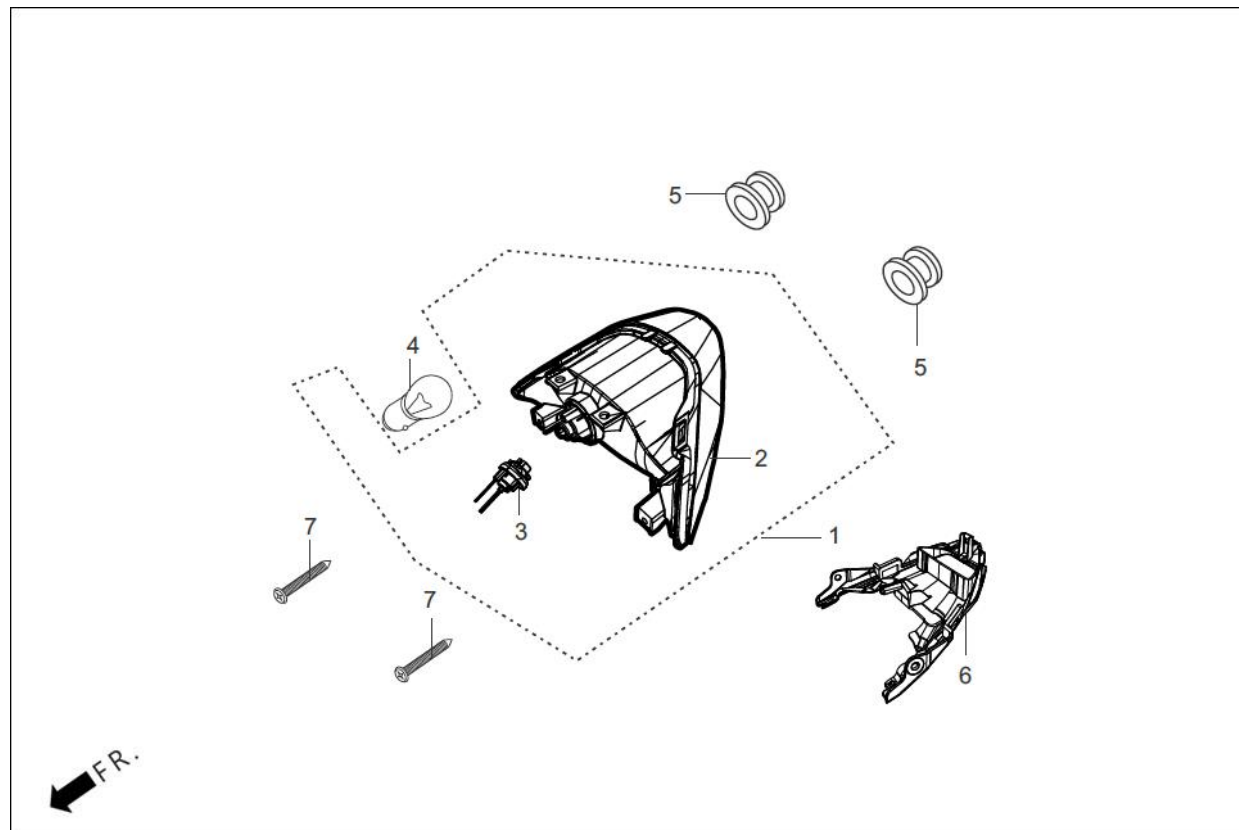


F-22 : WINKERS

Group Number: F-22 **Model ::** Passion Pro (Aug, 2015)

Ref No.	Part Number	Description	Req.
1	33401-AAC-201	BASE WINKER R	2
2	33402-AAC-201	LENS LH	2
3	3340B-AAC-201	WINKER ASSY R FR(W/O BULB)	1
4	33451-AAC-201	BASE WINKER L	2
5	3345B-AAC-201	WINKER ASSY L FR(W/O BULB)	1
6	3360B-AAC-201	WINKER ASSY. R RR(W/O BULB)	1
7	33415-AAC-201	SOCKET COMP. R WINKER	1
8	33452-AAC-201	LENS RH	2
9	33465-AAC-201	SOCKET COMP L WINKER	1
10	33615-AAC-201	SOCKET COMP. R WINKER	1
11	3365B-AAC-201	WINKER AASY. L RR(W/O BULB)	1
12	33665-AAC-201	SOCKET COMP.L WINKER	1
13	33491-KAF-000	STAY COMP., WINKER	4
14	34930-AAC-700	BULB(12V 10W) AMBER	4
	34930-AAC-700	BULB(12V 10W) AMBER	4
15	90380-MB2-000	SCREW, SPECIAL, 6 X 8	4
16	90101-AAC-200	SCREW SPECIAL 2.9X22	4
17	94050-10000	NUT, FLANGE, 10MM	4
	94050-10000	NUT, FLANGE, 10MM	4

F-23 : TAIL LIGHT

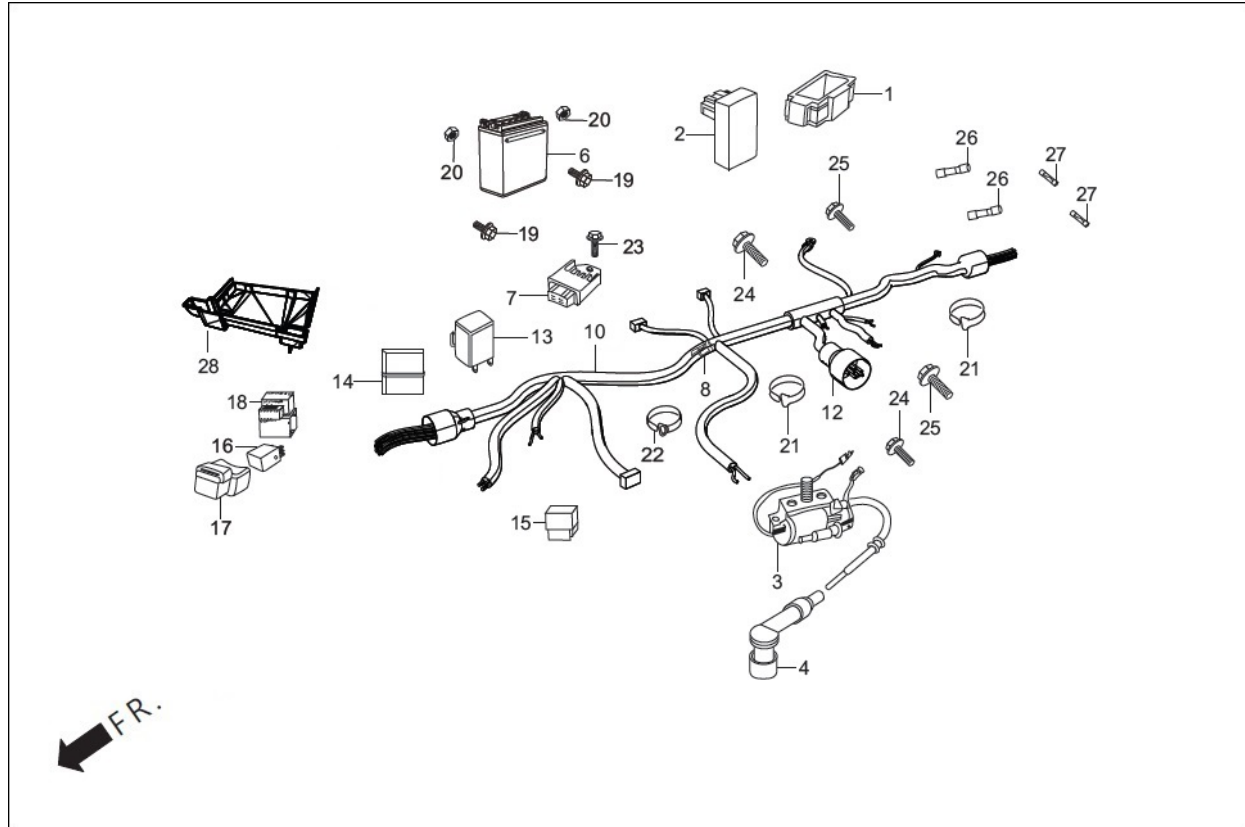


F-23 : TAIL LIGHT

Group Number: F-23 **Model ::** Passion Pro (Aug, 2015)

Ref No.	Part Number	Description	Req.
1	3370B-AAC-201	UNIT TAIL LAMP	1
2	33702-AAC-201	UNIT COMP TAIL LAMP	1
3	33703-AAC-201	SOCKET COMP	1
4	34907-KVN-901	BLUB, TAIL & STOP LIGHT	1
5	61103-357-000	RUBBER FR. FENDER MOUNT	2
6	77237-AAC-220	COVER LICENSE LIGHT	1
7	93903-24380	SCREW TAPPING, 4 X 12	2
	93903-24380	SCREW TAPPING, 4 X 12	2

F-24-DISC-SELF : WIRE HARNESS/BATTERY



F-24-DISC-SELF : WIRE HARNESS/BATTERY

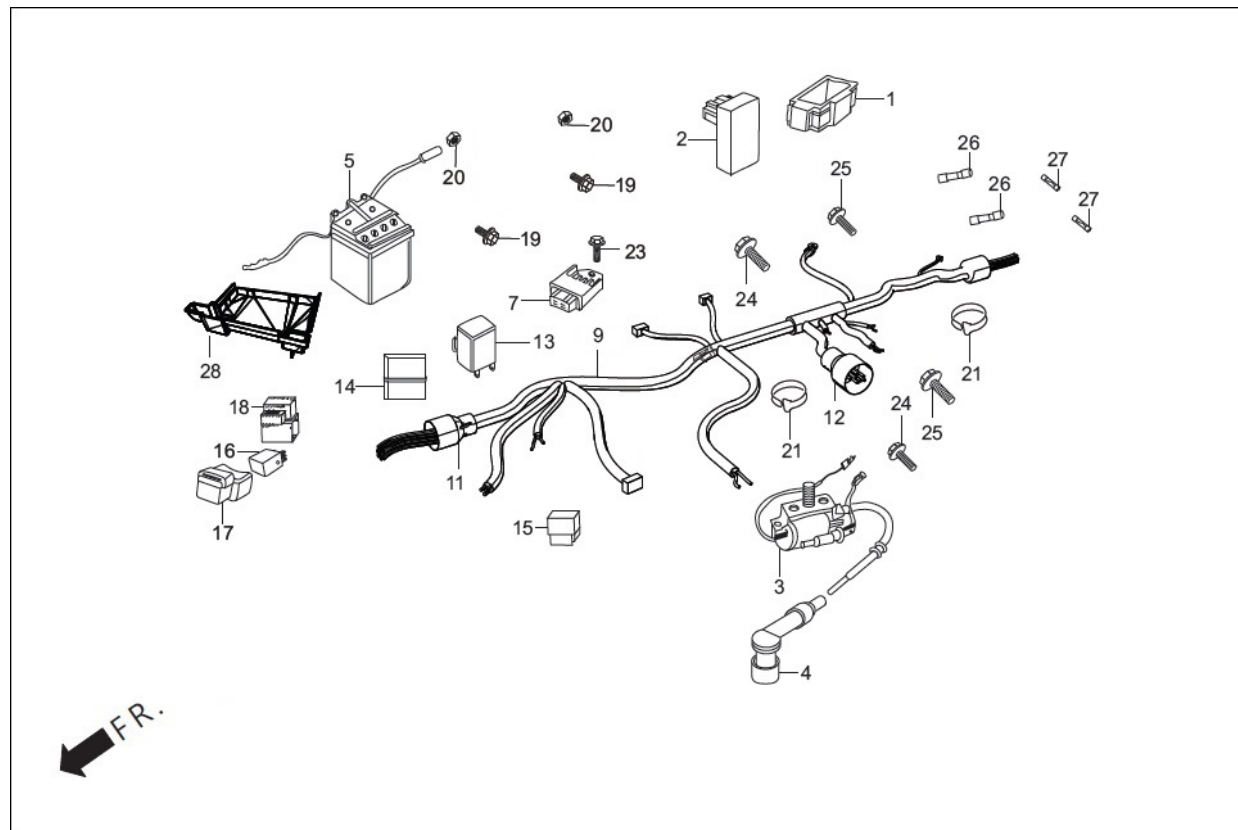
Group Number: F-24-DISC-SELF Model :: Passion Pro (Aug, 2015)

Ref No.	Part Number	Description	Req.
1	30401-KTE-910	CUSHION, C.D.I. UNIT	1
	30401-KTE-910	CUSHION, C.D.I. UNIT	1
2	30410-KWA-931	UNIT COMP CDI	1
3	30500-AAC-201	COIL ASSY., IGN.	1
4	30700-KWA-831	CAP ASSY,NOISE SUPPRESSOR	1
	30700-KWA-831	CAP ASSY,NOISE SUPPRESSOR	1
6	31500-KVT-801	BATTERY, ASSY.	1
	31500-KVT-801	BATTERY, ASSY.	1
7	31600-KWF-841	REG RECT.COMP	1
8	31700-124-000	RECTIFIER ASSY., SILICON	1
	31700-124-000	RECTIFIER ASSY., SILICON	1
10	32100-AAC-210	HARNESS WIRE	1
12	32108-344-820	COVER, CONNECTOR	1
	32108-344-820	COVER, CONNECTOR	1
13	38301-KWA-831	RELAY COMP., WINKER	1
14	38306-GE7-000	SUSPENSION, WINKER RELAY	1
	38306-GE7-000	SUSPENSION, WINKER RELAY	1
15	38501-KTP-890	RELAY COMP., START	1
16	38502-KSP-910	RELAY COMP., POWER (MICRO ISO 5P)	1
	38502-KSP-910	RELAY COMP., POWER (MICRO ISO 5P)	1

F-24-DISC-SELF : WIRE HARNESS/BATTERY

17	38506-KSP-910	SUS., POWER RELAY	1
	38506-KSP-910	SUS., POWER RELAY	1
18	38506-KWA-840	SUSP. START RELAY	1
19	90122-KVT-941	BOLT BATTERY TERMINAL	2
20	90306-KVT-941	NUT BATTERY TERMINAL	2
21	91540-S30-003	CLIP BAND, HARN	2
22	91541-S0A-003	CLIP BAND HARN	1
23	95701-06012-00	BOLT, FLANGE, 6X12	1
	95701-06012-00	BOLT, FLANGE, 6X12	1
24	95701-06014-00	BOLT, FLANGE, 6 X 14	2
	95701-06014-00	BOLT, FLANGE, 6 X 14	2
25	96001-06020-00	BOLT, FLANGE, SH. 6 X 20	2
26	98200-31000	BLADE, FUSE 10A	2
	98200-31000	BLADE, FUSE 10A	2
27	98200-31500	BLADE, FUSE, 15A	2
	98200-31500	BLADE, FUSE, 15A	2
28	50325-AAC-220	BOX UPPER, BATTERY	1

F-24-DRUM-KICK : WIRE HARNESS/BATTERY



F-24-DRUM-KICK : WIRE HARNESS/BATTERY

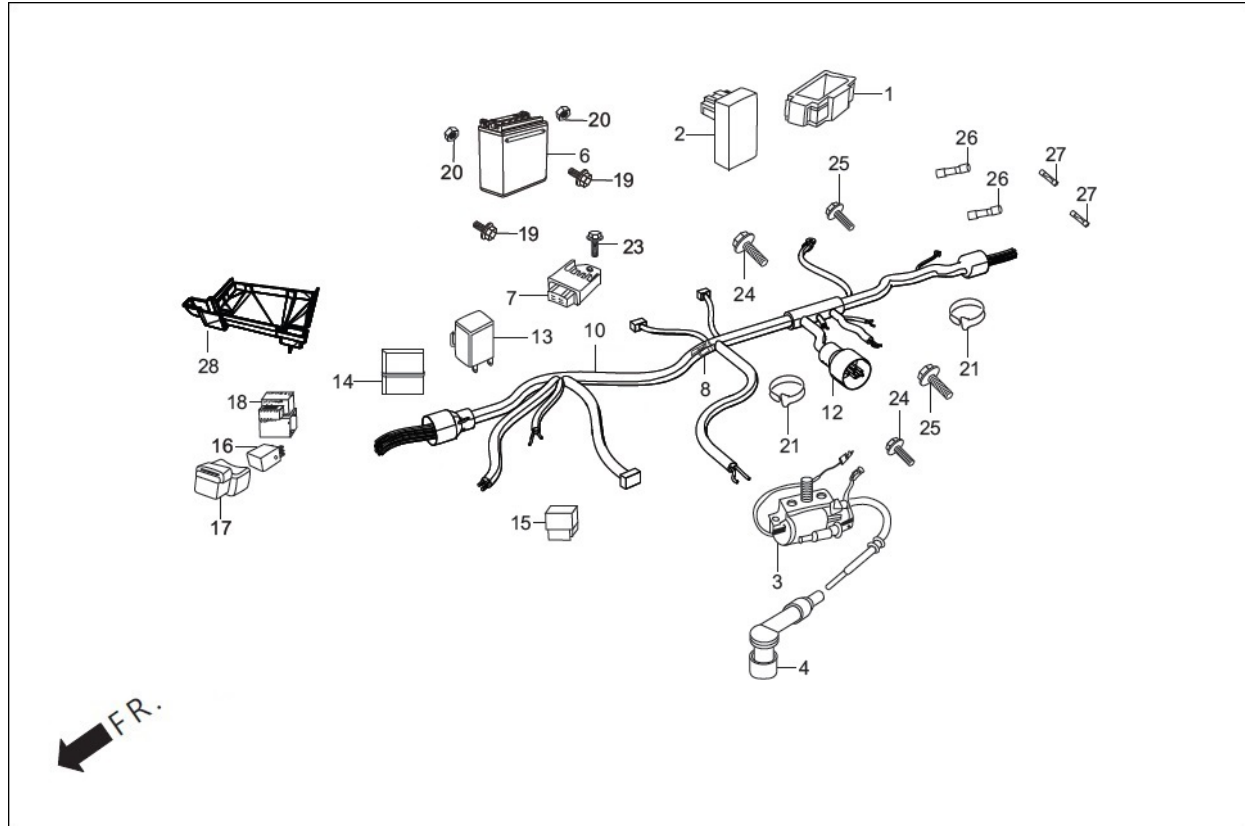
Group Number: F-24-DRUM-KICK **Model ::** Passion Pro (Aug, 2015)

Ref No.	Part Number	Description	Req.
1	30401-KTE-910	CUSHION, C.D.I. UNIT	1
	30401-KTE-910	CUSHION, C.D.I. UNIT	1
2	30410-KWA-931	UNIT COMP CDI	1
3	30500-AAC-201	COIL ASSY., IGN.	1
4	30700-KWA-831	CAP ASSY,NOISE SUPPRESSOR	1
	30700-KWA-831	CAP ASSY,NOISE SUPPRESSOR	1
5	31500-KWS-801	BATTERY ASSY., MF3-BS	1
7	31600-KWF-841	REG RECT.COMP	1
9	32100-AAC-200	HARNESS WIRE	1
11	32108-KE8-000	COVER ,CONNECTOR	1
12	32108-344-820	COVER, CONNECTOR	1
	32108-344-820	COVER, CONNECTOR	1
13	38301-KWA-831	RELAY COMP., WINKER	1
14	38306-GE7-000	SUSPENSION, WINKER RELAY	1
	38306-GE7-000	SUSPENSION, WINKER RELAY	1
15	38501-KTP-890	RELAY COMP., START	1
16	38502-KSP-910	RELAY COMP., POWER (MICRO ISO 5P)	1
	38502-KSP-910	RELAY COMP., POWER (MICRO ISO 5P)	1
17	38506-KSP-910	SUS., POWER RELAY	1
	38506-KSP-910	SUS., POWER RELAY	1

F-24-DRUM-KICK : WIRE HARNESS/BATTERY

18	38506-KWA-840	SUSP. START RELAY	1
19	90122-KVT-941	BOLT BATTERY TERMINAL	2
20	90306-KVT-941	NUT BATTERY TERMINAL	2
21	91540-S30-003	CLIP BAND, HARN	2
23	95701-06012-00	BOLT, FLANGE, 6X12	1
	95701-06012-00	BOLT, FLANGE, 6X12	1
24	95701-06014-00	BOLT, FLANGE, 6 X 14	2
	95701-06014-00	BOLT, FLANGE, 6 X 14	2
25	96001-06020-00	BOLT, FLANGE, SH. 6 X 20	2
26	98200-31000	BLADE, FUSE 10A	2
	98200-31000	BLADE, FUSE 10A	2
27	98200-31500	BLADE, FUSE, 15A	2
	98200-31500	BLADE, FUSE, 15A	2
28	50325-AAC-220	BOX UPPER, BATTERY	1

F-24-DRUM-SELF : WIRE HARNESS/BATTERY



F-24-DRUM-SELF : WIRE HARNESS/BATTERY

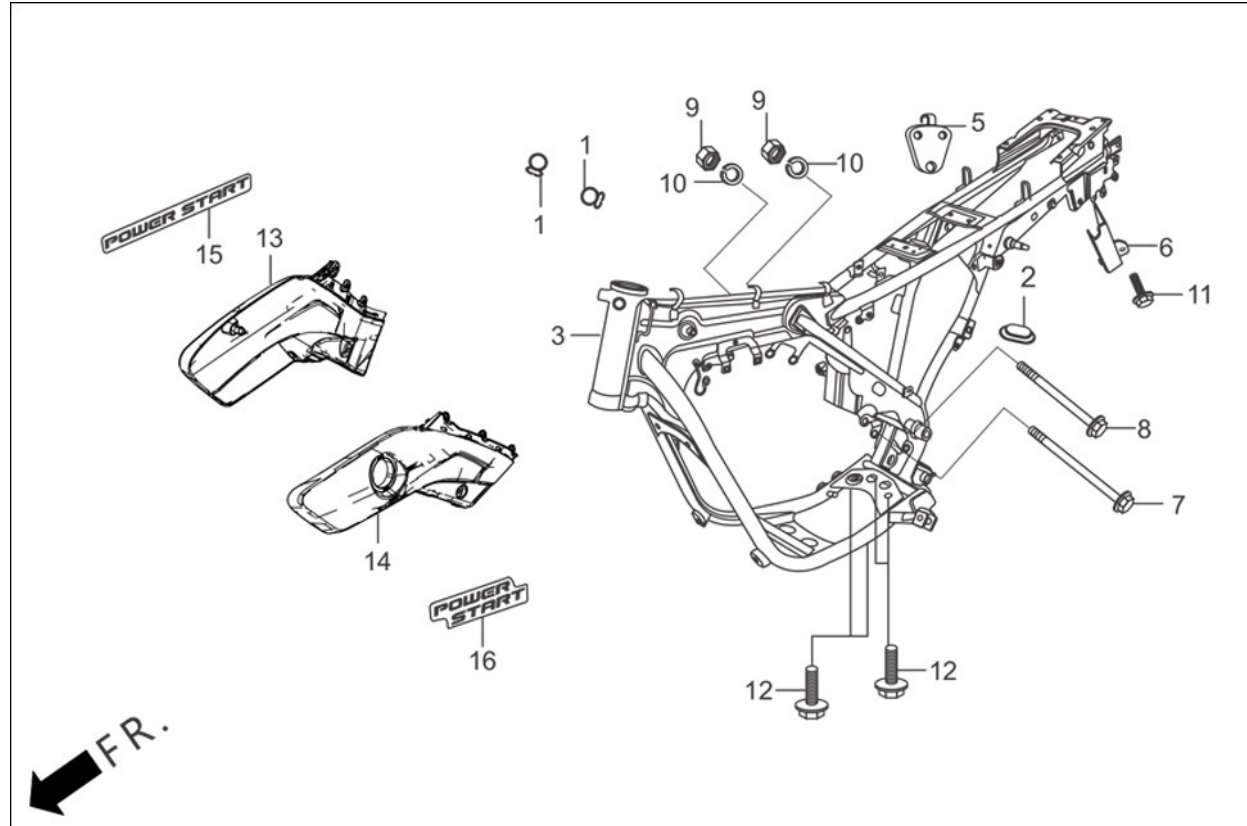
Group Number: F-24-DRUM-SELF **Model ::** Passion Pro (Aug, 2015)

Ref No.	Part Number	Description	Req.
1	30401-KTE-910	CUSHION, C.D.I. UNIT	1
	30401-KTE-910	CUSHION, C.D.I. UNIT	1
2	30410-KWA-931	UNIT COMP CDI	1
3	30500-AAC-201	COIL ASSY., IGN.	1
4	30700-KWA-831	CAP ASSY,NOISE SUPPRESSOR	1
	30700-KWA-831	CAP ASSY,NOISE SUPPRESSOR	1
6	31500-KVT-801	BATTERY, ASSY.	1
	31500-KVT-801	BATTERY, ASSY.	1
7	31600-KWF-841	REG RECT.COMP	1
8	31700-124-000	RECTIFIER ASSY., SILICON	1
	31700-124-000	RECTIFIER ASSY., SILICON	1
10	32100-AAC-210	HARNESS WIRE	1
12	32108-344-820	COVER, CONNECTOR	1
	32108-344-820	COVER, CONNECTOR	1
13	38301-KWA-831	RELAY COMP., WINKER	1
14	38306-GE7-000	SUSPENSION, WINKER RELAY	1
	38306-GE7-000	SUSPENSION, WINKER RELAY	1
15	38501-KTP-890	RELAY COMP., START	1
16	38502-KSP-910	RELAY COMP., POWER (MICRO ISO 5P)	1
	38502-KSP-910	RELAY COMP., POWER (MICRO ISO 5P)	1

F-24-DRUM-SELF : WIRE HARNESS/BATTERY

17	38506-KSP-910	SUS., POWER RELAY	1
	38506-KSP-910	SUS., POWER RELAY	1
18	38506-KWA-840	SUSP. START RELAY	1
19	90122-KVT-941	BOLT BATTERY TERMINAL	2
20	90306-KVT-941	NUT BATTERY TERMINAL	2
21	91540-S30-003	CLIP BAND, HARN	2
23	95701-06012-00	BOLT, FLANGE, 6X12	1
	95701-06012-00	BOLT, FLANGE, 6X12	1
24	95701-06014-00	BOLT, FLANGE, 6 X 14	2
	95701-06014-00	BOLT, FLANGE, 6 X 14	2
25	96001-06020-00	BOLT, FLANGE, SH. 6 X 20	2
26	98200-31000	BLADE, FUSE 10A	2
	98200-31000	BLADE, FUSE 10A	2
27	98200-31500	BLADE, FUSE, 15A	2
	98200-31500	BLADE, FUSE, 15A	2
28	50325-AAC-220	BOX UPPER, BATTERY	1

F-25-KICK : FRAME BODY/UTILITY BOX

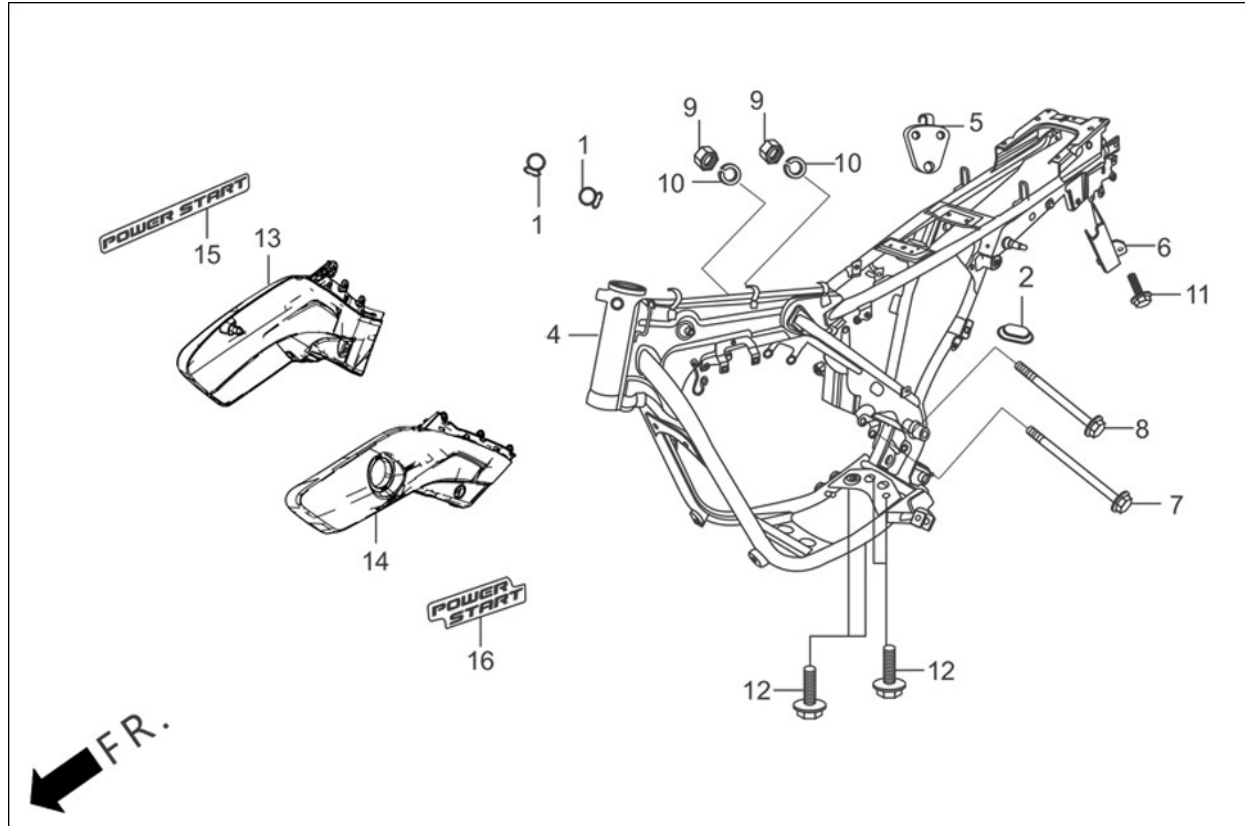


F-25-KICK : FRAME BODY/UTILITY BOX

Group Number: F-25-KICK Model :: Passion Pro (Aug, 2015)

Ref No.	Part Number	Description	Req.
1	17369-198-770	CLIP BREATHER TUBE	2
2	32712-ZA0-000	GROMMET, TERM/C	1
3	50100-AAC-220	FRAME, BODY COMP. (KICK)	1
5	50211-KCC-900	PLATE, ENGINE HANGER	1
6	50250-KWA-830	COVER, SEAT LOCK, CABLE	1
7	90116-KCC-900	BOLT FLANGE, 8 X 97	1
8	90117-KCC-900	BOLT, FLANGE, 8 X 110	1
9	94030-08000	NUT, HEX., 8 MM	2
	94030-08000	NUT, HEX., 8 MM	2
10	94111-08000	WASHER, SPRING, 8MM	2
11	95701-06010-00	BOLT, FLANGE, 6 X 10	1
	95701-06010-00	BOLT, FLANGE, 6 X 10	1
12	90121-AAD-500	BOLT FLANGE 8 X 16	2
13	83510-AAC-220	SET R SIDE COVER A	1
14	83610-AAC-220	SET L SIDE COVER A	1

F-25-SELF : FRAME BODY/UTILITY BOX

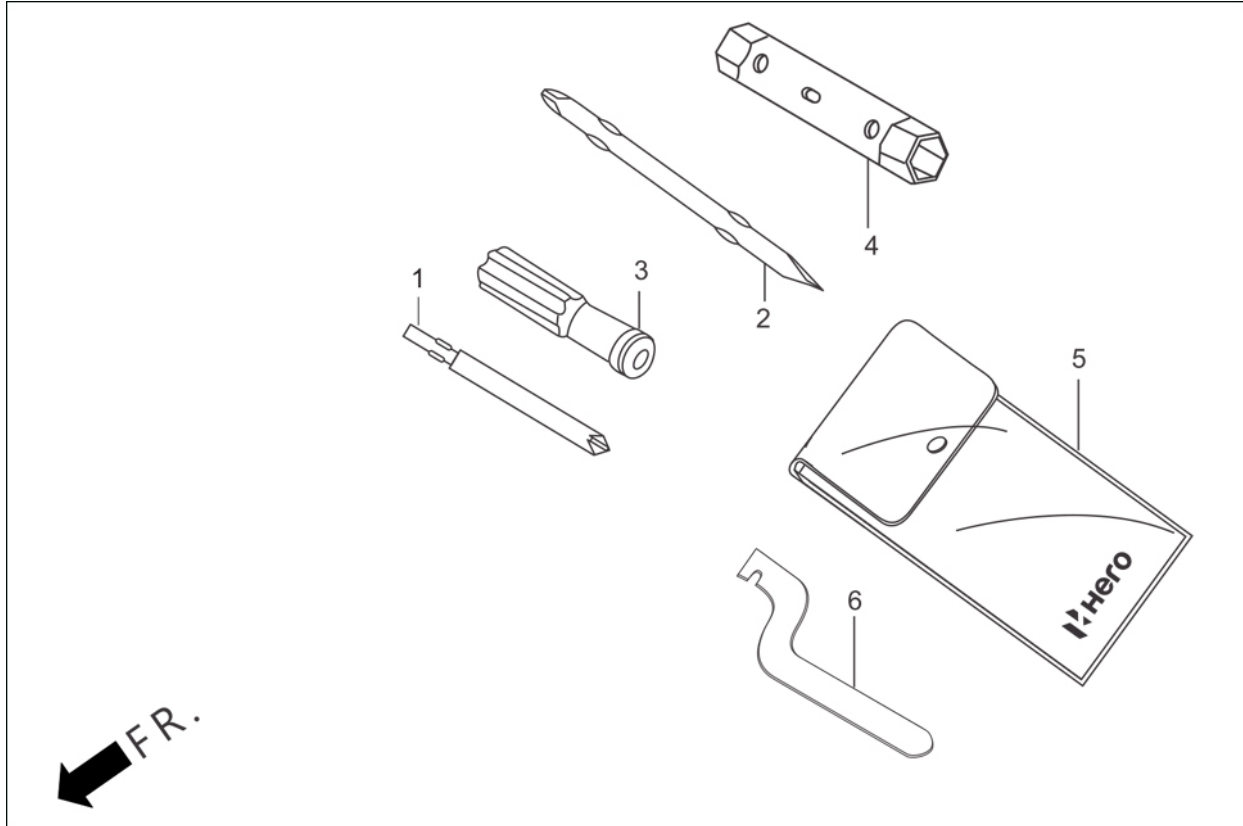


F-25-SELF : FRAME BODY/UTILITY BOX

Group Number: F-25-SELF Model :: Passion Pro (Aug, 2015)

Ref No.	Part Number	Description	Req.
1	17369-198-770	CLIP BREATHER TUBE	2
2	32712-ZA0-000	GROMMET, TERM/C	1
4	50100-AAC-230	FRAME BODY COMP	1
5	50211-KCC-900	PLATE, ENGINE HANGER	1
6	50250-KWA-830	COVER, SEAT LOCK, CABLE	1
7	90116-KCC-900	BOLT FLANGE, 8 X 97	1
8	90117-KCC-900	BOLT, FLANGE, 8 X 110	1
9	94030-08000	NUT, HEX., 8 MM	2
	94030-08000	NUT, HEX., 8 MM	2
10	94111-08000	WASHER, SPRING, 8MM	2
11	95701-06010-00	BOLT, FLANGE, 6 X 10	1
	95701-06010-00	BOLT, FLANGE, 6 X 10	1
12	90121-AAD-500	BOLT FLANGE 8 X 16	2
13	83510-AAC-220	SET R SIDE COVER A	1
14	83610-AAC-220	SET L SIDE COVER A	1
15	83511-AAC-220	MARK, UTILITY BOX R COVER	1
16	83516-AAC-220	MARK, UTILITY BOX L COVER	1

F-26 : TOOLS

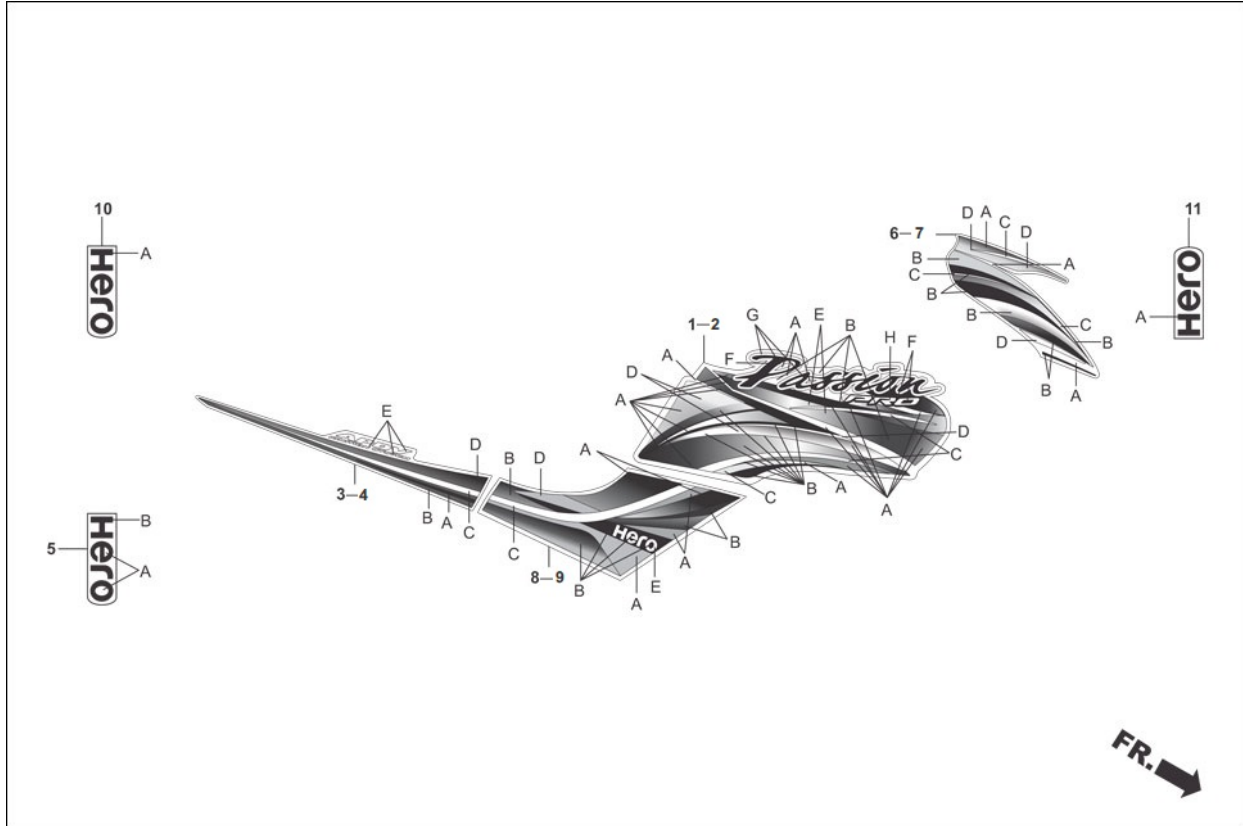


F-26 : TOOLS

Group Number: F-26 **Model ::** Passion Pro (Aug, 2015)

Ref No.	Part Number	Description	Req.
1	89102-AAC-000	NO.3 CROSS POINT SCREW DRIVER	1
2	89102-538-000	SCREW, DRIVER PLUS/MINUS	1
3	89103-538-000	GRIP, SCREW DRIVER	1
4	89215-AAC-000	BOX WRENCH P16X14	1
5	89216-AAD-H00	TOOL BAG	1
6	99007-45000	PIN, SPANNER	1

F-27 : STRIPES/MARKS/EMBLEMS



F-27 : STRIPES/MARKS/EMBLEMS

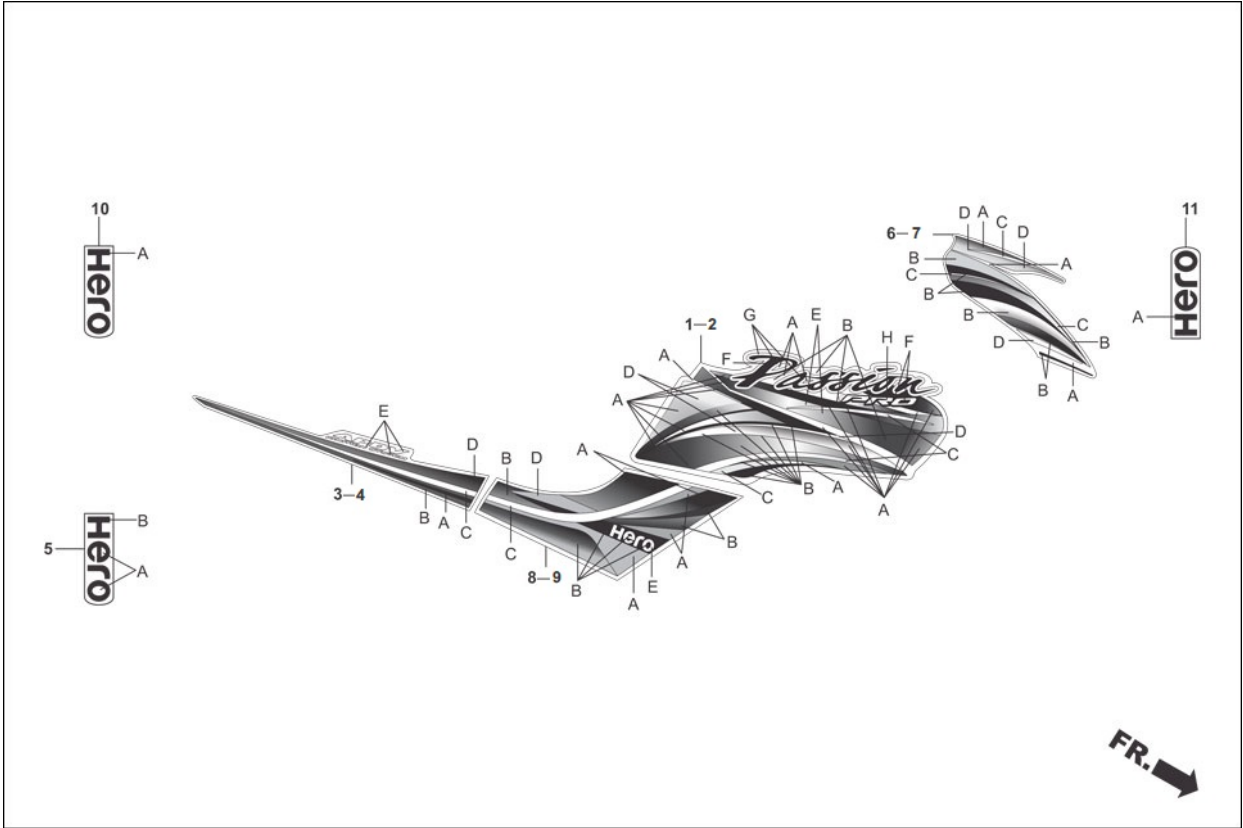
Group Number: F-27 Model :: Passion Pro (Aug, 2015)

Ref No.	Part Number	Description	Req.
1	17507-AAC-200R	STRIPE R FUEL TANK(TYPE-1)	1
	17507-AAC-200S	STRIPE R FUEL TANK(TYPE-2)	1
	17507-AAC-200T	STRIPE R FUEL TANK(TYPE-3)	1
	17507-AAC-200U	STRIPE R FUEL TANK(TYPE-4)	1
	17507-AAC-200V	STRIPE R FUEL TANK(TYPE-5)	1
	17507-AAC-200W	STRIPE R FUEL TANK(TYPE-6)	1
	17507-AAC-200X	STRIPE R FUEL TANK(TYPE-7)	1
	17507-AAC-200Y	STRIPE R FUEL TANK(TYPE-8)	1

SPECIFIED COLOUR CHART FOR STRIPE RIGHT SIDE FUEL TANK

SPECIFIED TYPE	COLOUR	A	B	C	D	E	F	G	H	MAIN BODY COLOUR
1	NH-1 BLACK	SPORTS RED R-321	SASHTA WHITE	FORCE SILVER ME. NH-411M	MARSHAL BLUE ME.	NH-1 BLACK	WHITE 2	WHITE 2	WHITE 2	BLACK (NH-1) TYPE-1
2	NH-1 BLACK	FROST BLUE ME. B-185M	SASHTA WHITE	DIGITAL SILVER ME. NH-A30M	SPORTS RED R-321	NH-1 BLACK	WHITE 2	SPORTS RED R-321	SPORTS RED R-321	BLACK (NH-1) TYPE-2
3	NH-1 BLACK	HEAVY GRAY NH-194M-U ME.	FORCE SILVER ME. NH-411M	DIGITAL SILVER ME. NH-A30M	SPORTS RED R-321	NH-1 BLACK	WHITE 2	SPORTS RED R-321	SPORTS RED R-321	BLACK (NH-1) TYPE-3
4	SPORTS RED R-321	NH-1 BLACK	SASHTA WHITE	FORCE SILVER ME. NH-411M	MARSHAL BLUE ME.	NH-1 BLACK	WHITE 2	WHITE 2	WHITE 2	SPORTS RED (R-321)
5	BRONZE YELLOW ME. YL-002M	NH-1 BLACK	SASHTA WHITE	BOON SILVER ME. NH-373M	SPORTS RED R-321	NH-1 BLACK	WHITE 2	SPORTS RED R-321	SPORTS RED R-321	BRONZE YELLOW ME. (YL-002M)
6	FORCE SILVER ME. NH-411M	NH-1 BLACK	SASHTA WHITE	HEAVY GRAY NH-194M-U ME.	MARSHAL BLUE ME.	NH-1 BLACK	WHITE 2	SPORTS RED R-321	SPORTS RED R-321	FORCE SILVER METALLIC (NH-341P)
7	PEARL FADELESS WHITE	NH-1 BLACK	NH-1 BLACK	TERRA SILVER ME.	SPORTS RED R-321	NH-1 BLACK	TERRA SILVER ME.	SPORTS RED R-321	SPORTS RED R-321	PEARL FADELESS WHITE. (NH-341P)
8	MATT BROWN ME. RD-018M	MAT BLACK NH-105	TERRA SILVER ME.	DIGITAL SILVER ME. NH-A30M	SPORTS RED R-321	NH-1 BLACK	FORCE SILVER ME. NH-411M	SPORTS RED R-321	SPORTS RED R-321	MATT BROWN ME (RD-018M)

F-27 : STRIPES/MARKS/EMBLEMS



F-27 : STRIPES/MARKS/EMBLEMS

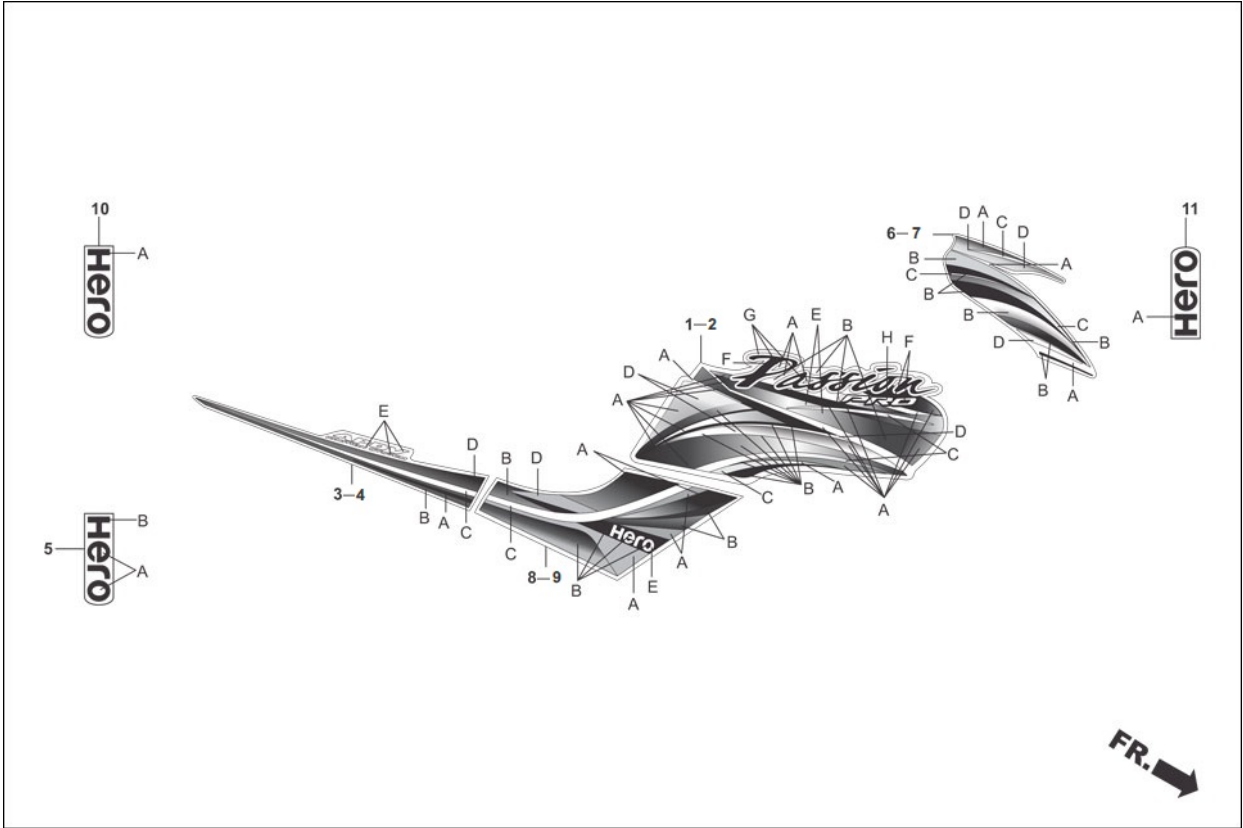
Group Number: F-27 Model :: Passion Pro (Aug, 2015)

Ref No.	Part Number	Description	Req.
2	17508-AAC-200R	STRIPE L FUEL TANK(TYPE-1)	1
	17508-AAC-200S	STRIPE L FUEL TANK(TYPE-2)	1
	17508-AAC-200T	STRIPE L FUEL TANK(TYPE-3)	1
	17508-AAC-200U	STRIPE L FUEL TANK(TYPE-4)	1
	17508-AAC-200V	STRIPE L FUEL TANK(TYPE-5)	1
	17508-AAC-200W	STRIPE L FUEL TANK(TYPE-6)	1
	17508-AAC-200X	STRIPE L FUEL TANK(TYPE-7)	1
	17508-AAC-200Y	STRIPE L FUEL TANK(TYPE-8)	1

SPECIFIED COLOUR CHART FOR STRIPE LEFT SIDE FUEL TANK

SPECIFIED TYPE COLOUR	A	B	C	D	E	F	G	H	MAIN BODY COLOUR
1	NH-1 BLACK	SPORTS RED R-321	SASHTA WHITE	FORCE SILVER ME. NH-411M	MARSHAL BLUE ME.	NH-1 BLACK	WHITE 2	WHITE 2	BLACK (NH-1) TYPE-1
2	NH-1 BLACK	FROST BLUE ME. B-185M	SASHTA WHITE	DIGITAL SILVER ME. NH-A30M	SPORTS RED R-321	NH-1 BLACK	WHITE 2	SPORTS RED R-321	BLACK (NH-1) TYPE-2
3	NH-1 BLACK	HEAVY GRAY NH-194M-U ME.	FORCE SILVER ME. NH-411M	DIGITAL SILVER ME. NH-A30M	SPORTS RED R-321	NH-1 BLACK	WHITE 2	SPORTS RED R-321	BLACK (NH-1) TYPE-3
4	SPORTS RED R-321	NH-1 BLACK	SASHTA WHITE	FORCE SILVER ME. NH-411M	MARSHAL BLUE ME.	NH-1 BLACK	WHITE 2	WHITE 2	SPORTS RED (R-321)
5	BRONZE YELLOW ME. YL-002M	NH-1 BLACK	SASHTA WHITE	BOON SILVER ME. NH-373M	SPORTS RED R-321	NH-1 BLACK	WHITE 2	SPORTS RED R-321	BRONZE YELLOW ME. (YL-002M)
6	FORCE SILVER ME. NH-411M	NH-1 BLACK	SASHTA WHITE	HEAVY GRAY NH-194M-U ME.	MARSHAL BLUE ME.	NH-1 BLACK	WHITE 2	SPORTS RED R-321	FORCE SILVER METALLIC (NH-341P)
7	PEARL FADELESS WHITE	NH-1 BLACK	NH-1 BLACK	TERRA SILVER ME.	SPORTS RED R-321	NH-1 BLACK	TERRA SILVER ME.	SPORTS RED R-321	PEARL FADELESS WHITE. (NH-341P)
8	MATT BROWN ME. RD-018M	MAT BLACK NH-105	TERRA SILVER ME.	DIGITAL SILVER ME. NH-A30M	SPORTS RED R-321	NH-1 BLACK	FORCE SILVER ME. NH-411M	SPORTS RED R-321	MATT BROWN ME (RD-018M)

F-27 : STRIPES/MARKS/EMBLEMS



F-27 : STRIPES/MARKS/EMBLEMS

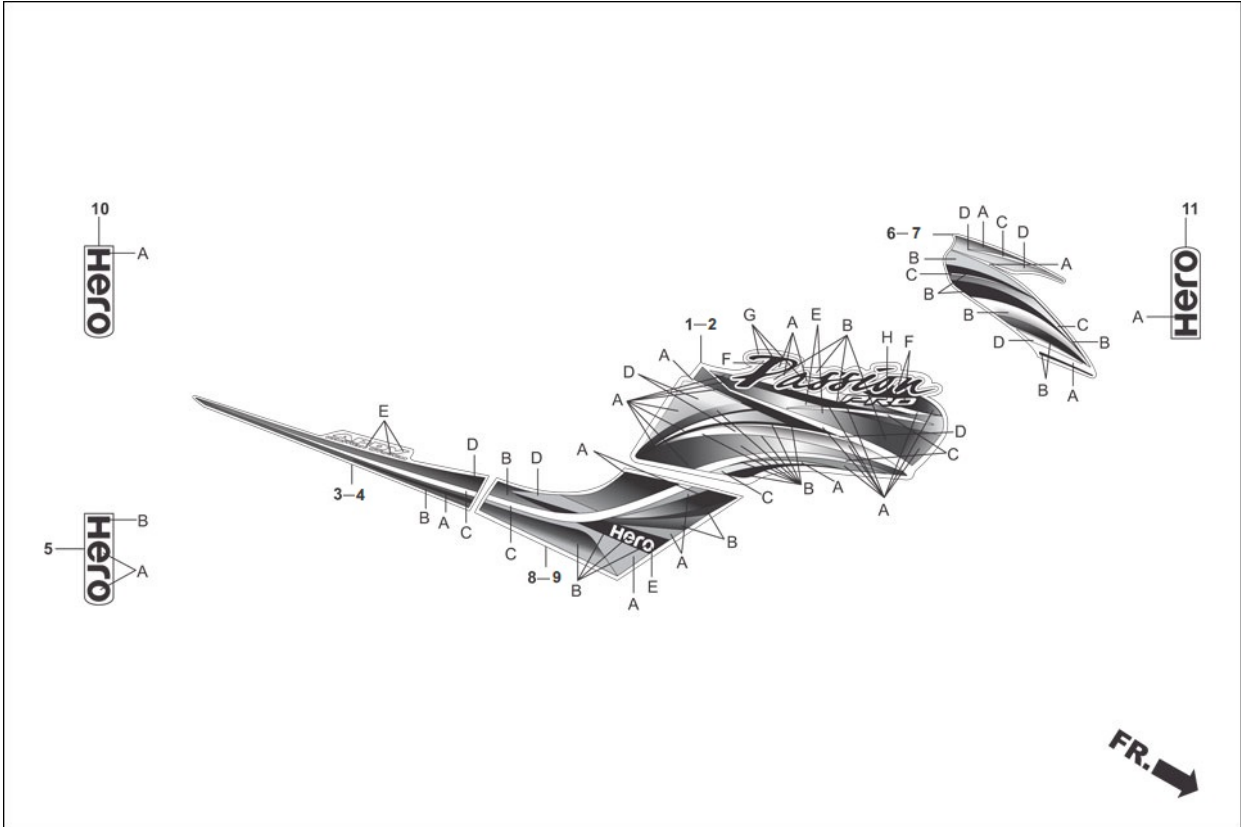
Group Number: F-27 Model :: Passion Pro (Aug, 2015)

Ref No.	Part Number	Description	Req.
3	77248-AAC-200R	STRIPE R SIDE COWL(TYPE-1)	1
	77248-AAC-200S	STRIPE R SIDE COWL(TYPE-2)	1
	77248-AAC-200T	STRIPE R SIDE COWL(TYPE-3)	1
	77248-AAC-200U	STRIPE R SIDE COWL(TYPE-4)	1
	77248-AAC-200V	STRIPE R SIDE COWL(TYPE-5)	1
	77248-AAC-200W	STRIPE R SIDE COWL(TYPE-6)	1
	77248-AAC-200X	STRIPE R SIDE COWL(TYPE-7)	1
	77248-AAC-200Y	STRIPE R SIDE COWL(TYPE-8)	1

SPECIFIED COLOUR CHART FOR STRIPE RIGHT SIDE COWL

SPECIFIED COLOUR TYPE	A	B	C	D	E	MAIN BODY COLOUR
1	NH-1 BLACK	SPORTS RED R-321	SASHTA WHITE	FORCE SILVER ME. NH-411M	NH-1 BLACK	BLACK (NH-1) TYPE-1
2	NH-1 BLACK	FROST BLUE ME. B-185M	SASHTA WHITE	DIGITAL SILVER ME. NH-A30M	NH-1 BLACK	BLACK (NH-1) TYPE-2
3	NH-1 BLACK	HEAVY GRAY NH-194M-U ME.	FORCE SILVER ME. NH-411M	DIGITAL SILVER ME. NH-A30M	FORCE SILVER ME. NH-411M	BLACK (NH-1) TYPE-3
4	SPORTS RED R-321	NH-1 BLACK	SASHTA WHITE	FORCE SILVER ME. NH-411M	FORCE SILVER ME. NH-411M	SPORTS RED (R-321)
5	BRONZE YELLOW ME. YL-002M	NH-1 BLACK	SASHTA WHITE	BOON SILVER ME. NH-373M	FORCE SILVER ME. NH-411M	BRONZE YELLOW ME. (YL-002M)
6	FORCE SILVER ME. NH-411M	NH-1 BLACK	SASHTA WHITE	HEAVY GRAY NH-194M-U ME.	FORCE SILVER ME. NH-411M	FORCE SILVER METALLIC (NH-341P)
7	PEARL FADELESS WHITE	NH-1 BLACK	NH-1 BLACK	TERRA SILVER ME.	FORCE SILVER ME. NH-411M	PEARL FADELESS WHITE. (NH-341P)
8	MATT BROWN ME. RD-018M	MAT BLACK NH-105	TERRA SILVER ME.	DIGITAL SILVER ME. NH-A30M	FORCE SILVER ME. NH-411M	MATT BROWN ME (RD-018M)

F-27 : STRIPES/MARKS/EMBLEMS



F-27 : STRIPES/MARKS/EMBLEMS

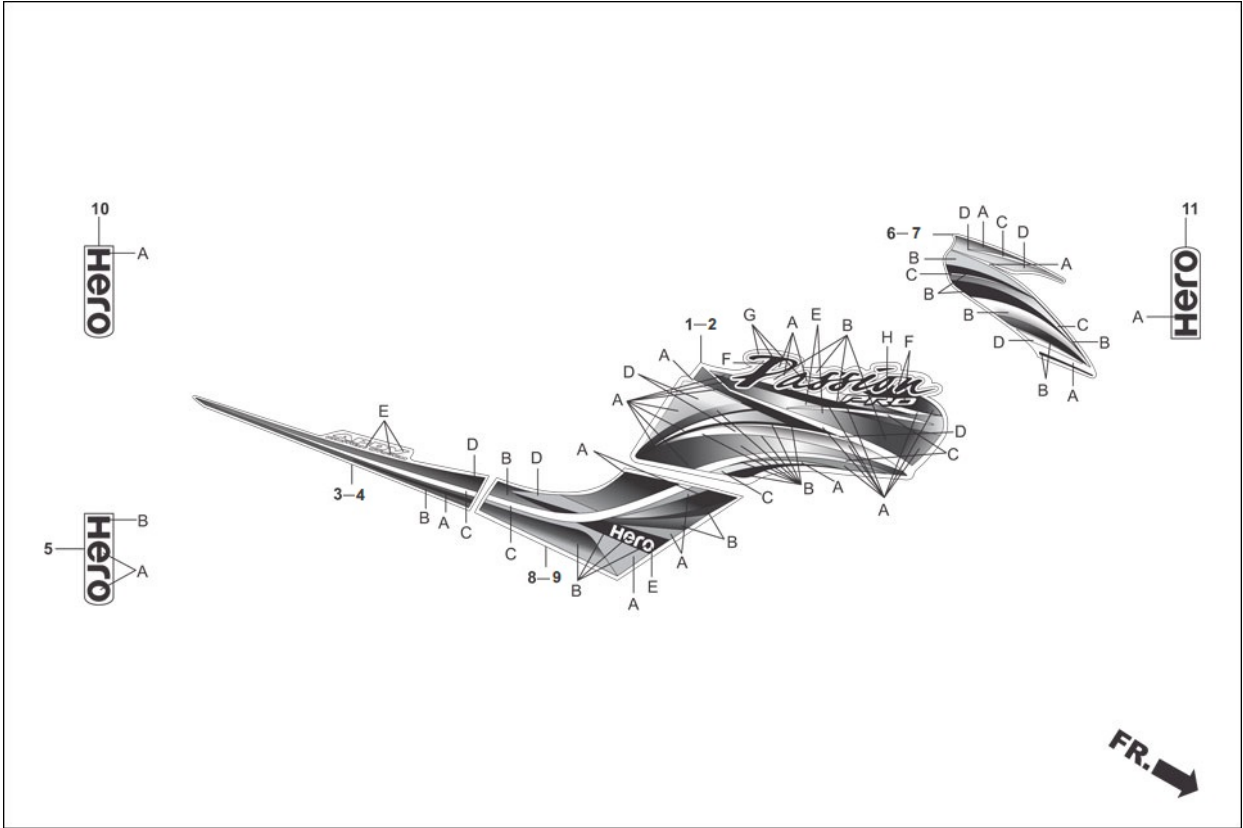
Group Number: F-27 Model :: Passion Pro (Aug, 2015)

Ref No.	Part Number	Description	Req.
4	77258-AAC-200R	STRIPE L SIDE COWL(TYPE-1)	1
	77258-AAC-200S	STRIPE L SIDE COWL(TYPE-2)	1
	77258-AAC-200T	STRIPE L SIDE COWL(TYPE-3)	1
	77258-AAC-200U	STRIPE L SIDE COWL(TYPE-4)	1
	77258-AAC-200V	STRIPE L SIDE COWL(TYPE-5)	1
	77258-AAC-200W	STRIPE L SIDE COWL(TYPE-6)	1
	77258-AAC-200X	STRIPE L SIDE COWL(TYPE-7)	1
	77258-AAC-200Y	STRIPE L SIDE COWL(TYPE-8)	1

SPECIFIED COLOUR CHART FOR STRIPE LEFT SIDE COWL

SPECIFIED TYPE COLOUR	A	B	C	D	E	MAIN BODY COLOUR
1	NH-1 BLACK	SPORTS RED R-321	SASHTA WHITE	FORCE SILVER ME. NH-411M	NH-1 BLACK	BLACK (NH-1) TYPE-1
2	NH-1 BLACK	FROST BLUE ME. B-185M	SASHTA WHITE	DIGITAL SILVER ME. NH-A30M	NH-1 BLACK	BLACK (NH-1) TYPE-2
3	NH-1 BLACK	HEAVY GRAY NH-194M-U ME.	FORCE SILVER ME. NH-411M	DIGITAL SILVER ME. NH-A30M	FORCE SILVER ME. NH-411M	BLACK (NH-1) TYPE-3
4	SPORTS RED R-321	NH-1 BLACK	SASHTA WHITE	FORCE SILVER ME. NH-411M	FORCE SILVER ME. NH-411M	SPORTS RED (R-321)
5	BRONZE YELLOW ME. YL-002M	NH-1 BLACK	SASHTA WHITE	BOON SILVER ME. NH-373M	FORCE SILVER ME. NH-411M	BRONZE YELLOW ME. (YL-002M)
6	FORCE SILVER ME. NH-411M	NH-1 BLACK	SASHTA WHITE	HEAVY GRAY NH-194M-U ME.	FORCE SILVER ME. NH-411M	FORCE SILVER METALLIC (NH-341P)
7	PEARL FADELESS WHITE	NH-1 BLACK	NH-1 BLACK	TERRA SILVER ME.	FORCE SILVER ME. NH-411M	PEARL FADELESS WHITE. (NH-341P)
8	MATT BROWN ME. RD-018M	MAT BLACK NH-105	TERRA SILVER ME.	DIGITAL SILVER ME. NH-A30M	FORCE SILVER ME. NH-411M	MATT BROWN ME (RD-018M)

F-27 : STRIPES/MARKS/EMBLEMS



F-27 : STRIPES/MARKS/EMBLEMS

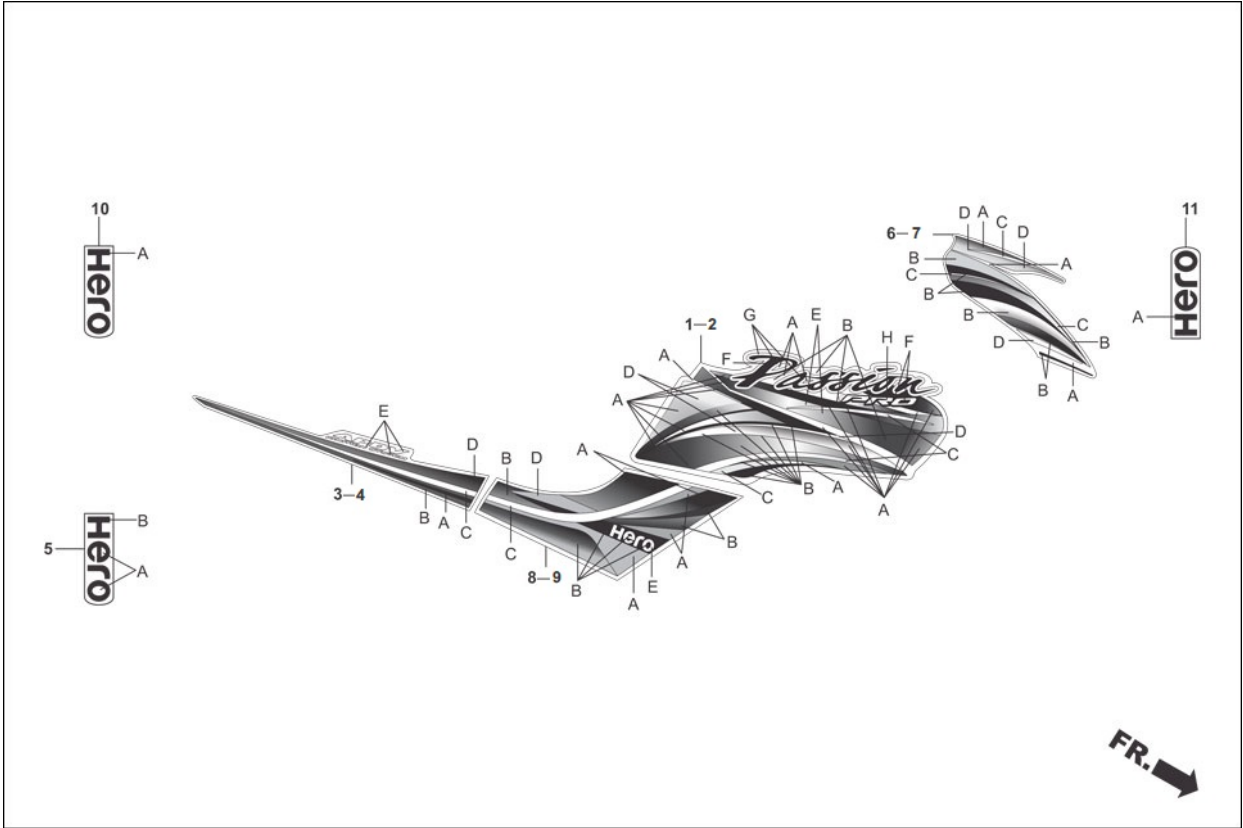
Group Number: F-27 **Model ::** Passion Pro (Aug, 2015)

Ref No.	Part Number	Description	Req.
5	80102-AAC-H30	MARK,REAR FENDER	1

SPECIFIED COLOUR CHART FOR MARK REAR FENDER

SPECIFIED COLOUR TYPE	A	B	MAIN BODY COLOUR
1	MAT BLACK	WHITE	BLACK (NH-1) TYPE-1
			BLACK (NH-1) TYPE-2
			BLACK (NH-1) TYPE-3
			SPORTS RED (R-321)
			BRONZE YELLOW ME. (YL-002M)
			FORCE SILVER METALLIC (NH-341P)
			PEARL FADELESS WHITE. (NH-341P)
			MATT BROWN ME (RD-018M)

F-27 : STRIPES/MARKS/EMBLEMS



F-27 : STRIPES/MARKS/EMBLEMS

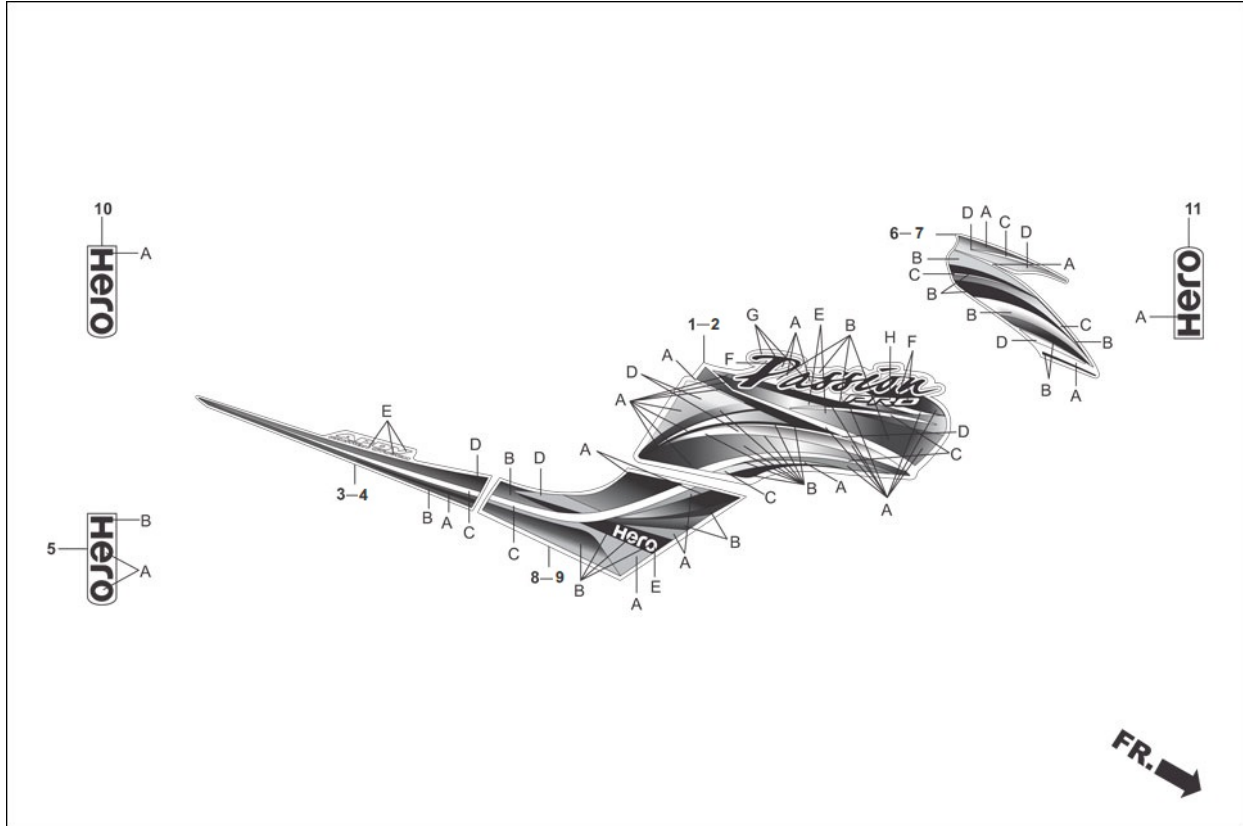
Group Number: F-27 **Model ::** Passion Pro (Aug, 2015)

Ref No.	Part Number	Description	Req.
6	83406-AAC-200R	STRIPE R FR VISOR(TYPE-1)	1
	83406-AAC-200S	STRIPE R FR VISOR(TYPE-2)	1
	83406-AAC-200T	STRIPE R FR VISOR(TYPE-3)	1
	83406-AAC-200U	STRIPE R FR VISOR(TYPE-4)	1
	83406-AAC-200V	STRIPE R FR VISOR(TYPE-5)	1
	83406-AAC-200W	STRIPE R FR VISOR(TYPE-6)	1
	83406-AAC-200X	STRIPE R FR VISOR(TYPE-7)	1
	83406-AAC-200Y	STRIPE R FR VISOR(TYPE-8)	1

SPECIFIED COLOUR CHART FOR STRIPE RIGHT SIDE FR. VISOR

SPECIFIED COLOUR TYPE	A	B	C	D	MAIN BODY COLOUR
1	NH-1 BLACK	SPORTS RED R-321	SASHTA WHITE	FORCE SILVER ME. NH-411M	BLACK (NH-1) TYPE-1
2	NH-1 BLACK	FROST BLUE ME. B-185M	SASHTA WHITE	DIGITAL SILVER ME. NH-A30M	BLACK (NH-1) TYPE-2
3	NH-1 BLACK	HEAVY GRAY NH-194M-U ME.	FORCE SILVER ME. NH-411M	DIGITAL SILVER ME. NH-A30M	BLACK (NH-1) TYPE-3
4	SPORTS RED R-321	NH-1 BLACK	SASHTA WHITE	FORCE SILVER ME. NH-411M	SPORTS RED (R-321)
5	BRONZE YELLOW ME. YL-002M	NH-1 BLACK	SASHTA WHITE	BOON SILVER ME. NH-373M	BRONZE YELLOW ME. (YL-002M)
6	FORCE SILVER ME. NH-411M	NH-1 BLACK	SASHTA WHITE	HEAVY GRAY NH-194M-U ME.	FORCE SILVER METALLIC (NH-341P)
7	PEARL FADELESS WHITE	NH-1 BLACK	NH-1 BLACK	TERRA SILVER ME.	PEARL FADELESS WHITE. (NH-341P)
8	MATT BROWN ME. RD-018M	MAT BLACK NH-105	TERRA SILVER ME.	DIGITAL SILVER ME. NH-A30M	MATT BROWN ME (RD-018M)

F-27 : STRIPES/MARKS/EMBLEMS



F-27 : STRIPES/MARKS/EMBLEMS

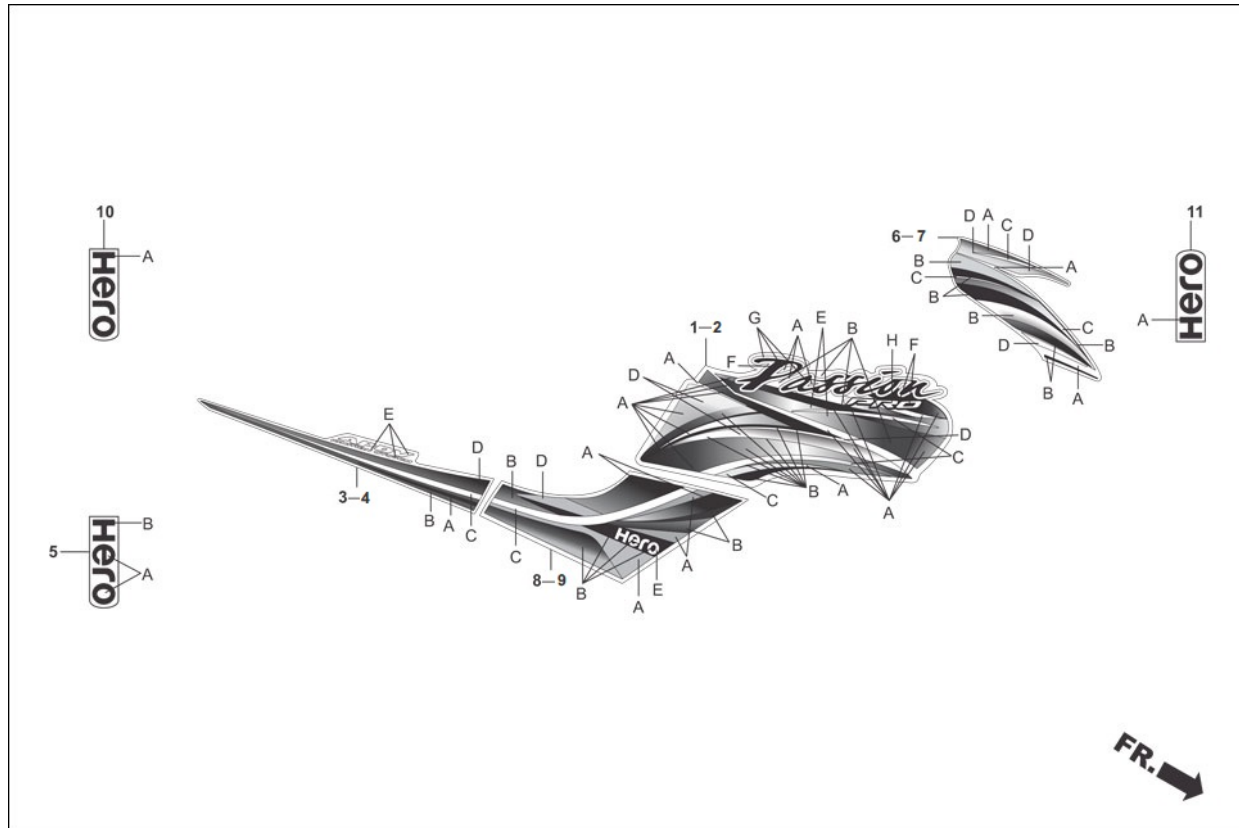
Group Number: F-27 **Model ::** Passion Pro (Aug, 2015)

Ref No.	Part Number	Description	Req.
7	83408-AAC-200R	STRIPE L FR VISOR(TYPE-1)	1
	83408-AAC-200S	STRIPE L FR VISOR(TYPE-2)	1
	83408-AAC-200T	STRIPE L FR VISOR(TYPE-3)	1
	83408-AAC-200U	STRIPE L FR VISOR(TYPE-4)	1
	83408-AAC-200V	STRIPE L FR VISOR(TYPE-5)	1
	83408-AAC-200W	STRIPE L FR VISOR(TYPE-6)	1
	83408-AAC-200X	STRIPE L FR VISOR(TYPE-7)	1
	83408-AAC-200Y	STRIPE L FR VISOR(TYPE-8)	1

SPECIFIED COLOUR CHART FOR STRIPE LEFT SIDE FR. VISOR

SPECIFIED COLOUR TYPE	A	B	C	D	MAIN BODY COLOUR
1	NH-1 BLACK	SPORTS RED R-321	SASHTA WHITE	FORCE SILVER ME. NH-411M	BLACK (NH-1) TYPE-1
2	NH-1 BLACK	FROST BLUE ME. B-185M	SASHTA WHITE	DIGITAL SILVER ME. NH-A30M	BLACK (NH-1) TYPE-2
3	NH-1 BLACK	HEAVY GRAY NH-194M-U ME.	FORCE SILVER ME. NH-411M	DIGITAL SILVER ME. NH-A30M	BLACK (NH-1) TYPE-3
4	SPORTS RED R-321	NH-1 BLACK	SASHTA WHITE	FORCE SILVER ME. NH-411M	SPORTS RED (R-321)
5	BRONZE YELLOW ME. YL-002M	NH-1 BLACK	SASHTA WHITE	BOON SILVER ME. NH-373M	BRONZE YELLOW ME. (YL-002M)
6	FORCE SILVER ME. NH-411M	NH-1 BLACK	SASHTA WHITE	HEAVY GRAY NH-194M-U ME.	FORCE SILVER METALLIC (NH-341P)
7	PEARL FADELESS WHITE	NH-1 BLACK	NH-1 BLACK	TERRA SILVER ME.	PEARL FADELESS WHITE. (NH-341P)
8	MATT BROWN ME. RD-018M	MAT BLACK NH-105	TERRA SILVER ME.	DIGITAL SILVER ME. NH-A30M	MATT BROWN ME (RD-018M)

F-27 : STRIPES/MARKS/EMBLEMS



F-27 : STRIPES/MARKS/EMBLEMS

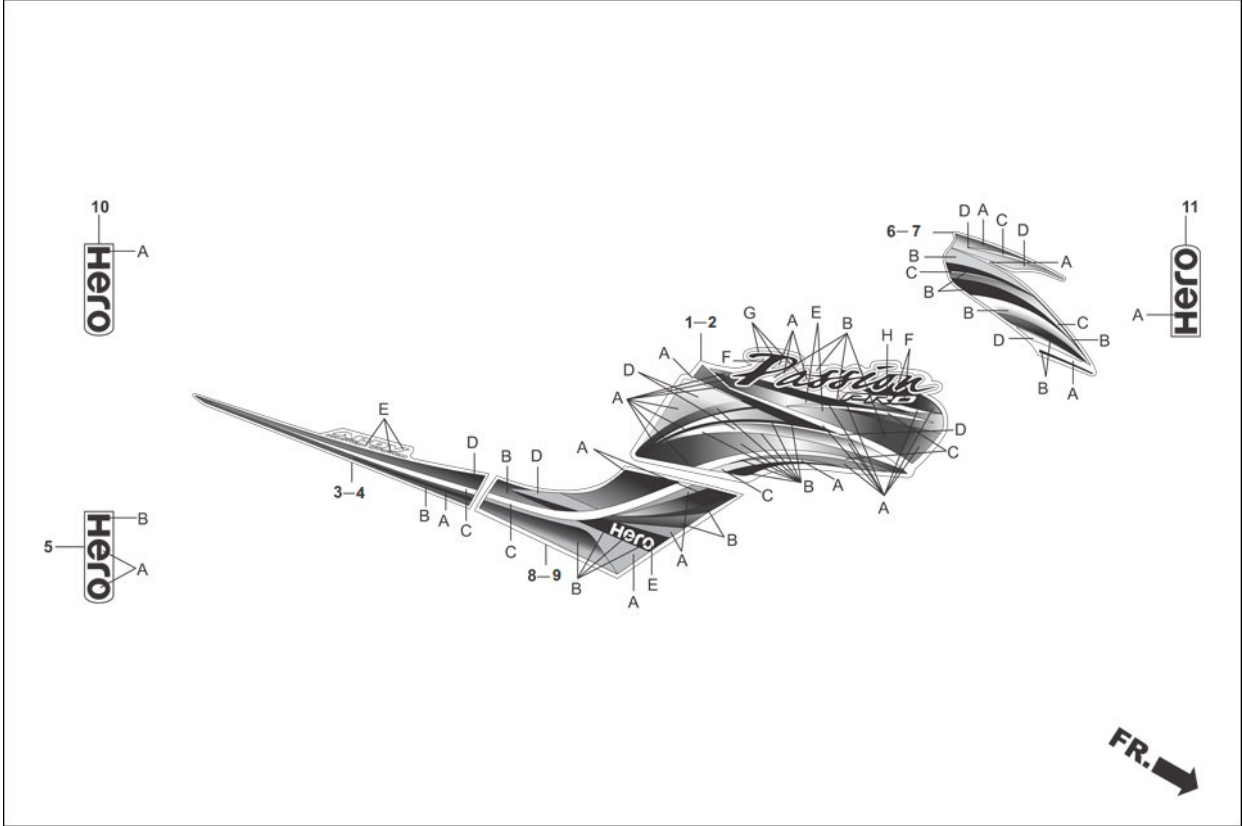
Group Number: F-27 Model :: Passion Pro (Aug, 2015)

Ref No.	Part Number	Description	Req.
8	87115-AAC-200R	STRIPE R SIDE COVER B(TYPE-1)	1
	87115-AAC-200S	STRIPE R SIDE COVER B(TYPE-2)	1
	87115-AAC-200T	STRIPE R SIDE COVER B(TYPE-3)	1
	87115-AAC-200U	STRIPE R SIDE COVER B(TYPE-4)	1
	87115-AAC-200V	STRIPE R SIDE COVER B(TYPE-5)	1
	87115-AAC-200W	STRIPE R SIDE COVER B(TYPE-6)	1
	87115-AAC-200X	STRIPE R SIDE COVER B(TYPE-7)	1
	87115-AAC-200Y	STRIPE R SIDE COVER B(TYPE-8)	1

SPECIFIED COLOUR CHART FOR STRIPE RIGHT SIDE COVER

SPECIFIED TYPE COLOUR	A	B	C	D	E	MAIN BODY COLOUR
1	NH-1 BLACK	SPORTS RED R-321	SASHTA WHITE	FORCE SILVER ME. NH-411M	WHITE 2	BLACK (NH-1) TYPE-1
2	NH-1 BLACK	FROST BLUE ME. B-185M	SASHTA WHITE	DIGITAL SILVER ME. NH-A30M	WHITE 2	BLACK (NH-1) TYPE-2
3	NH-1 BLACK	HEAVY GRAY NH-194M-U ME.	FORCE SILVER ME. NH-411M	DIGITAL SILVER ME. NH-A30M	WHITE 2	BLACK (NH-1) TYPE-3
4	SPORTS RED R-321	NH-1 BLACK	SASHTA WHITE	FORCE SILVER ME. NH-411M	WHITE 2	SPORTS RED (R-321)
5	BRONZE YELLOW ME. YL-002M	NH-1 BLACK	SASHTA WHITE	BOON SILVER ME. NH-373M	WHITE 2	BRONZE YELLOW ME. (YL-002M)
6	FORCE SILVER ME. NH-411M	NH-1 BLACK	SASHTA WHITE	HEAVY GRAY NH-194M-U ME.	WHITE 2	FORCE SILVER METALLIC (NH-341P)
7	PEARL FADELESS WHITE	NH-1 BLACK	NH-1 BLACK	TERRA SILVER ME.	WHITE 2	PEARL FADELESS WHITE. (NH-341P)
8	MATT BROWN ME. RD-018M	MAT BLACK NH-105	TERRA SILVER ME.	DIGITAL SILVER ME. NH-A30M	WHITE 2	MATT BROWN ME (RD-018M)

F-27 : STRIPES/MARKS/EMBLEMS



F-27 : STRIPES/MARKS/EMBLEMS

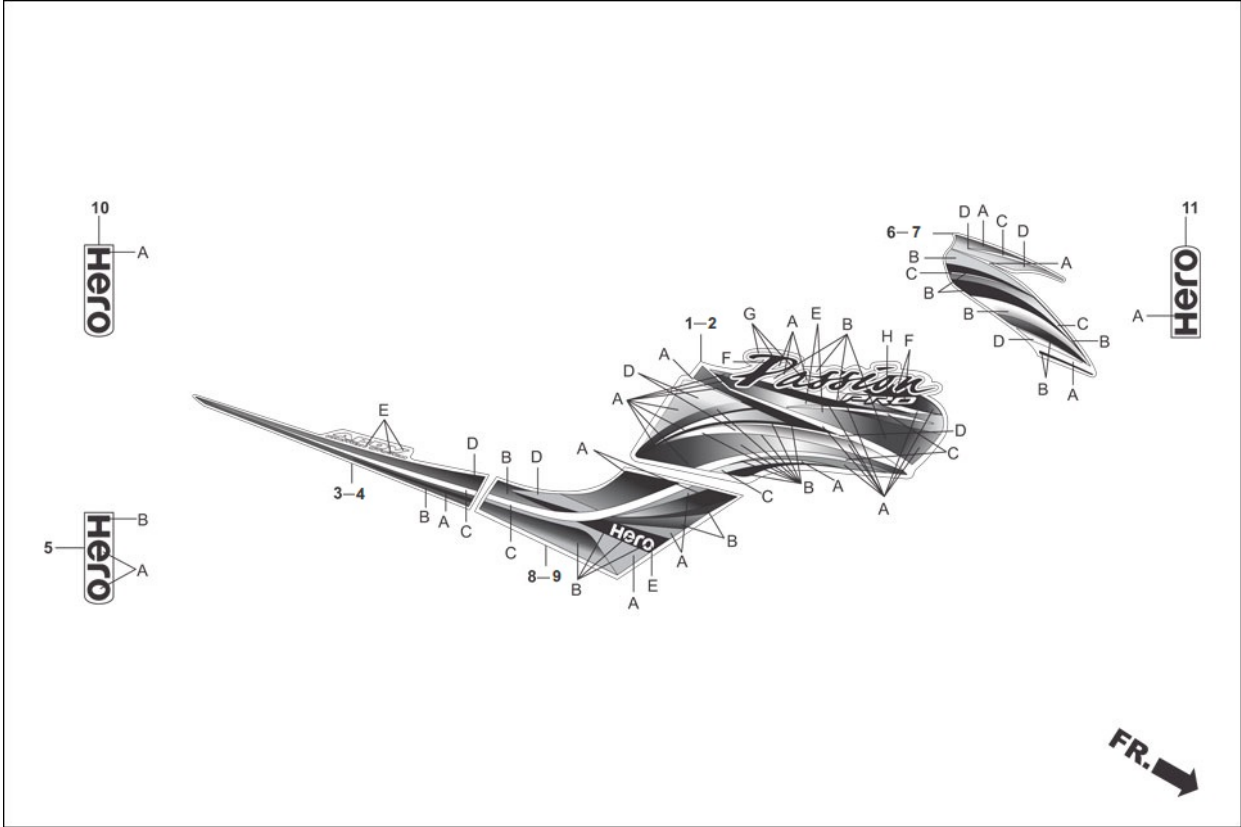
Group Number: F-27 Model :: Passion Pro (Aug, 2015)

Ref No.	Part Number	Description	Req.
9	87116-AAC-200R	STRIPE L SIDE COVER B(TYPE-1)	1
	87116-AAC-200S	STRIPE L SIDE COVER B(TYPE-2)	1
	87116-AAC-200T	STRIPE L SIDE COVER B(TYPE-3)	1
	87116-AAC-200U	STRIPE L SIDE COVER B(TYPE-4)	1
	87116-AAC-200V	STRIPE L SIDE COVER B(TYPE-5)	1
	87116-AAC-200W	STRIPE L SIDE COVER B(TYPE-6)	1
	87116-AAC-200X	STRIPE L SIDE COVER B(TYPE-7)	1
	87116-AAC-200Y	STRIPE L SIDE COVER B(TYPE-8)	1

SPECIFIED COLOUR CHART FOR STRIPE LEFT SIDE COVER

SPECIFIED COLOUR TYPE	A	B	C	D	E	MAIN BODY COLOUR
1	NH-1 BLACK	SPORTS RED R-321	SASHTA WHITE	FORCE SILVER ME. NH-411M	WHITE 2	BLACK (NH-1) TYPE-1
2	NH-1 BLACK	FROST BLUE ME. B-185M	SASHTA WHITE	DIGITAL SILVER ME. NH-A30M	WHITE 2	BLACK (NH-1) TYPE-2
3	NH-1 BLACK	HEAVY GRAY NH-194M-U ME.	FORCE SILVER ME. NH-411M	DIGITAL SILVER ME. NH-A30M	WHITE 2	BLACK (NH-1) TYPE-3
4	SPORTS RED R-321	NH-1 BLACK	SASHTA WHITE	FORCE SILVER ME. NH-411M	WHITE 2	SPORTS RED (R-321)
5	BRONZE YELLOW ME. YL-002M	NH-1 BLACK	SASHTA WHITE	BOON SILVER ME. NH-373M	WHITE 2	BRONZE YELLOW ME. (YL-002M)
6	FORCE SILVER ME. NH-411M	NH-1 BLACK	SASHTA WHITE	HEAVY GRAY NH-194M-U ME.	WHITE 2	FORCE SILVER METALLIC (NH-341P)
7	PEARL FADELESS WHITE	NH-1 BLACK	NH-1 BLACK	TERRA SILVER ME.	WHITE 2	PEARL FADELESS WHITE. (NH-341P)
8	MATT BROWN ME. RD-018M	MAT BLACK NH-105	TERRA SILVER ME.	DIGITAL SILVER ME. NH-A30M	WHITE 2	MATT BROWN ME (RD-018M)

F-27 : STRIPES/MARKS/EMBLEMS



F-27 : STRIPES/MARKS/EMBLEMS

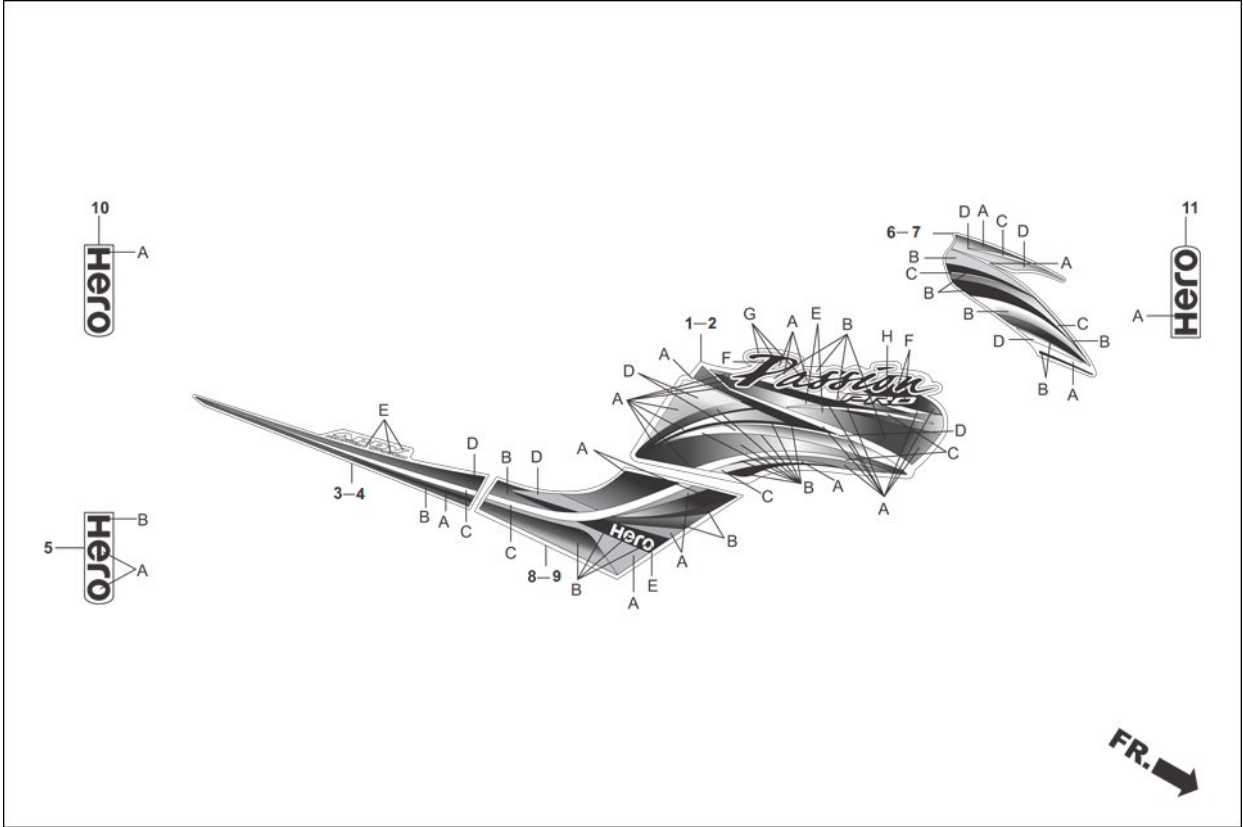
Group Number: F-27 **Model ::** Passion Pro (Aug, 2015)

Ref No.	Part Number	Description	Req.
10	87117-AAC-200R	MARK CENTER RR COWL(TYPE-1)	1
	87117-AAC-200S	MARK CENTER RR COWL(TYPE-2)	1

SPECIFIED COLOUR CHART FOR STRIPE MARK CENTER RR. COWL

SPECIFIED COLOUR TYPE	A	MAIN BODY COLOUR
2	FORCE SILVER ME. NH-411M	BLACK (NH-1) TYPE-1
1	NH-1 BLACK	BLACK (NH-1) TYPE-2
2	FORCE SILVER ME. NH-411M	BLACK (NH-1) TYPE-3
		SPORTS RED (R-321)
		BRONZE YELLOW ME. (YL-002M)
		FORCE SILVER METALLIC (NH-341P)
		PEARL FADELESS WHITE. (NH-341P)
		MATT BROWN ME (RD-018M)

F-27 : STRIPES/MARKS/EMBLEMS



F-27 : STRIPES/MARKS/EMBLEMS

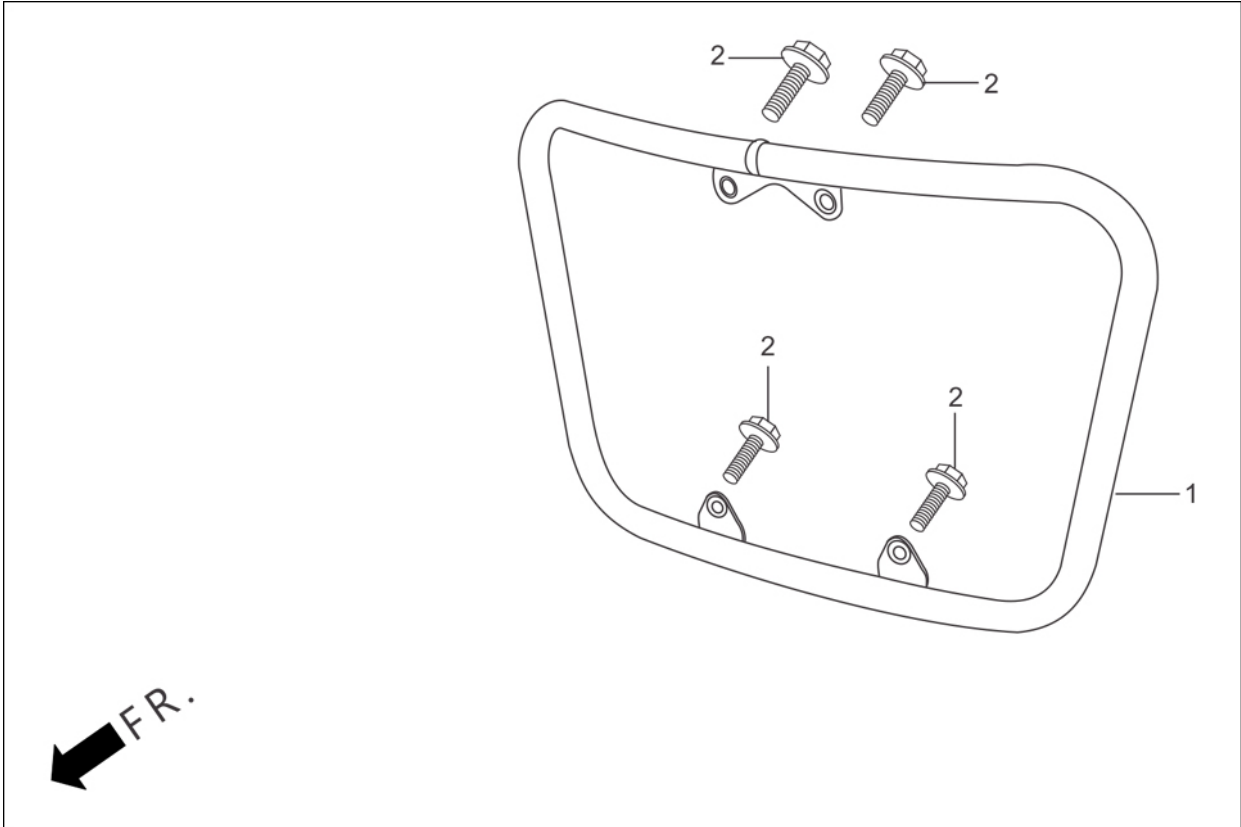
Group Number: F-27 **Model ::** Passion Pro (Aug, 2015)

Ref No.	Part Number	Description	Req.
11	87118-AAC-2000	MARK WIND SCREEN	1

SPECIFIED COLOUR CHART FOR STRIPE MARK WIND SCREEN

SPECIFIED COLOUR TYPE	A	MAIN BODY COLOUR
1	FORCE SILVER ME. NH-411M	BLACK (NH-1) TYPE-1
		BLACK (NH-1) TYPE-2
		BLACK (NH-1) TYPE-3
		SPORTS RED (R-321)
		BRONZE YELLOW ME. (YL-002M)
		FORCE SILVER METALLIC (NH-341P)
		PEARL FADELESS WHITE. (NH-341P)
		MATT BROWN ME (RD-018M)

F-28 : GUARD ENGINE

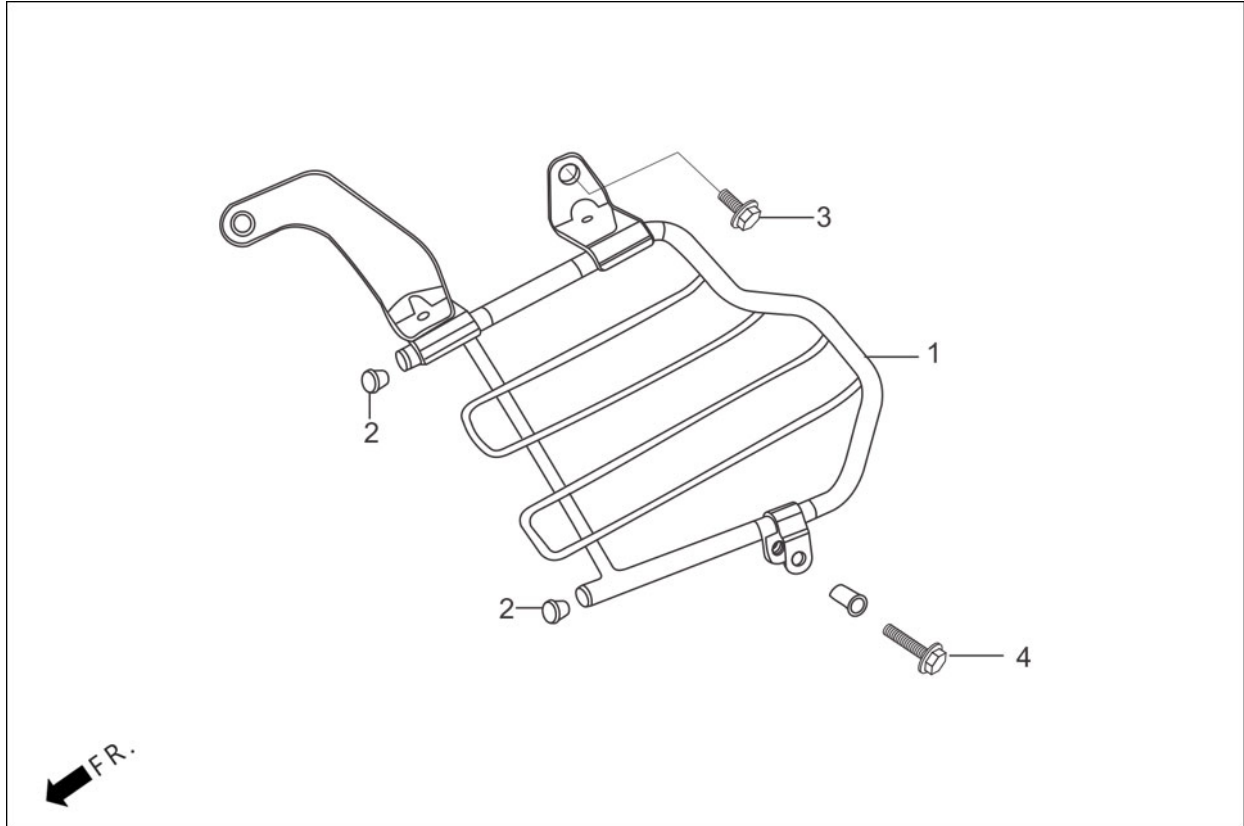


F-28 : GUARD ENGINE

Group Number: F-28 **Model ::** Passion Pro (Aug, 2015)

Ref No.	Part Number	Description	Req.
1	50803-KWA-940	GUARD, ENGINE	1
2	95701-08016-00	BOLT, FLANGE, 8X16	4
	95701-08016-00	BOLT, FLANGE, 8X16	4

F-29 : GUARD SARI

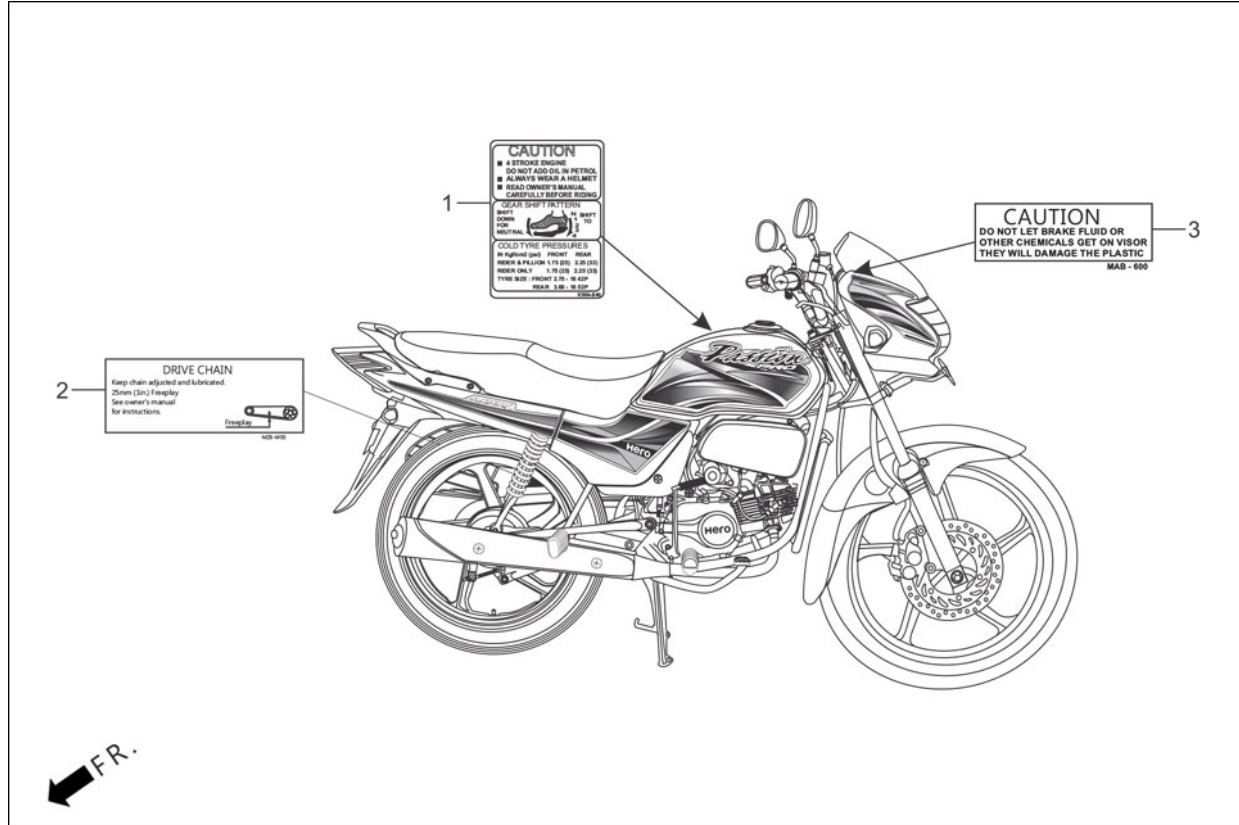


F-29 : GUARD SARI

Group Number: F-29 Model :: Passion Pro (Aug, 2015)

Ref No.	Part Number	Description	Req.
1	51103-AAC-000	GUARD SARI	1
2	51106-KCC-900	CAP, GUARD SARI	2
3	95701-08016-00	BOLT, FLANGE, 8X16	1
	95701-08016-00	BOLT, FLANGE, 8X16	1
4	95701-08028-00	BOLT FLANGE, 8 X 28	1

F-30 : MARK/CAUTION



F-30 : MARK/CAUTION

Group Number: F-30 **Model ::** Passion Pro (Aug, 2015)

Ref No.	Part Number	Description	Req.
1	87501-AAC-H40	MARK CAUTION	1
2	87507-MZ8-W00	LABEL, CHAIN DRIVE	1
3	87522-MAB-600	LABEL, VISOR CAUTION	1

PARTS INDEX

PART NO	BLOCK	PART NO	BLOCK
2830A-KWA-941	F-17	14451-KST-940	E-3
3310B-AAC-20099	F-1	14500-035-020	E-4
3340B-AAC-201	F-22	14502-086-000R	E-4
3345B-AAC-201	F-22	14531-035-000	E-4
3360B-AAC-201	F-22	14541-GB4-681	E-4
3365B-AAC-201	F-22	14550-GB0-910R	E-4
3370B-AAC-201	F-23	14566-086-030	E-4
06451-KCC-841	F-8A-DISC-CAST	14610-086-000R	E-4
06451-KCC-841	F-8A-DISC-CAST	14615-035-010	E-4
06455-KCC-841	F-8A-DISC-CAST	14670-035-030L	E-4
06455-KCC-841	F-8A-DISC-CAST	14675-178-000	E-4
11100-KWA-900	E-8-KICK	14711-GN5-90099	E-3
11100-KWA-900	E-8-SELF	14721-AAE-H10	E-3
11191-AAH-00099	E-8-KICK	14751-GBG-900	E-3
11191-AAH-00099	E-8-SELF	14761-GBG-900	E-3
11200-KVH-950	E-8-KICK	14771-GB4-680	E-3
11200-KVH-950	E-8-SELF	14775-MA6-000	E-3
11321-KST-940	E-7-KICK	14775-MA6-000	E-3
11321-KWA-940	E-7B-SELF	14781-MA6-000	E-3
11330-AAC-H00	E-5	14781-MA6-000	E-3
11341-AAC-000	E-7-KICK	15100-KCC-900	E-8-KICK
11341-AAC-010	E-7A-SELF	15100-KCC-900	E-8-SELF
11360-KWA-930	E-7-KICK	15119-178-000	E-8-KICK
11360-KWA-930	E-7A-SELF	15119-178-000	E-8-SELF
11394-AAH-00099	E-5	15384-178-000	E-8-KICK
11395-AAH-000	E-7A-SELF	15384-178-000	E-8-SELF
12101-KST-940	E-2	15421-035-010	E-8-KICK
12191-AAH-F0099	E-2	15421-035-010	E-8-KICK
12200-AAH-500	E-2	15421-035-010	E-8-SELF

12209-GB4-685	E-3	15421-035-010	E-8-SELF
12209-GB4-685	E-3	15431-198-000	E-6
12237-GB4-305	E-2	15439-AAH-00099	E-6
12245-GB4-305	E-2	15441-198-000	E-6
12251-KST-94099	E-2	15650-AAC-H00	E-5
12301-KWA-900	E-1	15661-198-000	E-6
12331-KWA-900	E-1	16010-KWA-931	E-13
12341-KWA-900	E-1	16012-KWA-931	E-13
12361-035-000	E-1	16013-KRB-901	E-13
12361-035-000	E-1	16014-KPH-901	E-13
12391-AAH-00099	E-1	16015-KVW-921	E-13
12394-AAH-00099	E-1	16016-KPH-651	E-13
12395-AAH-00099	E-1	16022-KWA-931	E-13
13000-AAF-000	E-9	16028-KPH-901	E-13
13011-KCC-942	E-9	16037-KPH-901	E-13
13012-KCC-942	E-9	16060-KWA-933	E-13
13013-KCC-942	E-9	16075-KTC-901	E-13
13014-KCC-942	E-9	16076-KPL-901	E-13
13015-KCC-942	E-9	16100-KVH-762	E-13
13101-KCC-901	E-9	16118-KST-901	E-13
13102-KCC-315	E-9	16148-KPL-901	E-13
13103-KCC-315	E-9	16155-KRS-861	E-13
13104-KCC-315	E-9	16163-GFP-901	E-13
13105-KCC-315	E-9	16165-KWA-931	E-13
13111-087-000	E-9	16173-001-000	F-13
13111-087-000	E-9	16173-001-000	F-13
13115-001-000	E-9	16199-KWA-931	E-13
13115-001-000	E-9	16201-KWB-920	E-1
13201-GF6-300	E-9	16211-459-750	E-1
13381-KCC-900L	E-9	16236-045-010	E-8-KICK

14100-AAH-H41	E-3	16236-045-010	E-8-SELF
14311-035-000	E-9	16950-KVH-900	F-13
14321-AAD-200	E-4	16952-KVH-900	F-13
14401-AAD-00099	E-4	16955-AAD-A00	F-13
14430-KST-940	E-3	16959-HB3-000	F-13

PART NO	BLOCK	PART NO	BLOCK
16967-GA6-671	F-13	17613-KCC-900	F-13
17110-AAF-100	E-1	17620-AAC-200	F-13
17199-AAC-200	F-15-KICK	17681-KWA-940	F-13
17199-AAC-200	F-15-SELF	17910-KWA-940	F-3-DISC-SELF
17210-KWA-840	F-15-KICK	17910-KWA-940	F-3-DRUM-KICK
17210-KWA-840	F-15-SELF	17910-KWA-940	F-3-DRUM-SELF
17212-KCC-900	F-15-KICK	18291-KTC-900	F-16
17212-KCC-900	F-15-SELF	18293-KPK-900	F-16
17213-AAC-A0099	F-15-KICK	18293-KPK-900	F-16
17213-AAC-A0099	F-15-SELF	18345-MBT-610	F-16
17214-AAC-220	F-15-KICK	18345-MBT-610	F-16
17218-KTC-900	F-15-KICK	18350-AAC-201	F-16
17218-KTC-900	F-15-SELF	18355-AAC-200	F-16
17219-KTC-900	F-15-KICK	18651-KST-900	F-15-KICK
17219-KTC-900	F-15-KICK	18651-KST-900	F-15-SELF
17219-KTC-900	F-15-SELF	22110-AAH-H40	E-6
17219-KTC-900	F-15-SELF	22121-198-900	E-6
17220-KWA-940	F-15-KICK	22201-GF6-000	E-6
17220-KWA-940	F-15-SELF	22311-107-000	E-6
17224-KWA-830	F-15-KICK	22350-115-020	E-6
17224-KWA-830	F-15-SELF	22361-KST-940	E-6
17234-KCC-940	F-15-KICK	22401-GF6-000	E-6
17234-KCC-940	F-15-KICK	22810-198-000	E-5
17234-KCC-940	F-15-SELF	22815-166-000	E-5
17234-KCC-940	F-15-SELF	22815-166-000	E-5
17251-KWA-940	F-15-KICK	22847-KCC-900	E-6
17251-KWA-940	F-15-SELF	22847-KCC-900	E-6
17253-KTC-900	F-15-KICK	22870-KWA-940	F-3-DISC-SELF
17253-KTC-900	F-15-SELF	22870-KWA-940	F-3-DRUM-KICK

17369-198-770	F-25-KICK	22870-KWA-940	F-3-DRUM-SELF
17369-198-770	F-25-SELF	22871-116-670	F-3-DISC-SELF
17371-KWA-940	E-8-KICK	22871-116-670	F-3-DRUM-KICK
17371-KWA-940	E-8-SELF	22871-116-670	F-3-DRUM-SELF
17500-AAC-200R	F-13	23112-AAJ-H10	E-6
17500-AAC-200S	F-13	23121-KST-901	E-6
17500-AAC-200T	F-13	23211-GF6-000	E-10
17500-AAC-200U	F-13	23216-GF6-000	E-6
17500-AAC-200V	F-13	23217-GF6-000L	E-6
17500-AAC-200W	F-13	23221-GF6-000	E-10
17500-AAC-200X	F-13	23421-GB4-770	E-10
17500-AAC-200Y	F-13	23422-GB4-770	E-10
17506-KCC-730	F-13	23431-GN5-910	E-10
17507-AAC-200R	F-27	23441-GB4-770	E-10
17507-AAC-200S	F-27	23451-GK4-761	E-10
17507-AAC-200T	F-27	23461-GK4-760	E-10
17507-AAC-200U	F-27	23471-GN5-910	E-10
17507-AAC-200V	F-27	23481-HF7-000	E-10
17507-AAC-200W	F-27	23801-178-000	E-10
17507-AAC-200X	F-27	23802-040-000	E-10
17507-AAC-200Y	F-27	24211-GF6-000R	E-12
17508-AAC-200R	F-27	24261-121-742	E-12
17508-AAC-200S	F-27	24263-028-000	E-12
17508-AAC-200T	F-27	24301-KWA-930	E-12
17508-AAC-200U	F-27	24411-198-900	E-12
17508-AAC-200V	F-27	24421-200-000	E-12
17508-AAC-200W	F-27	24425-198-900	E-12
17508-AAC-200X	F-27	24430-KST-900	E-12
17508-AAC-200Y	F-27	24435-GB4-770	E-12
17509-398-960	F-12	24610-KST-940	E-12

17509-398-960	F-12	24639-035-000L	E-12
17509-398-960	F-21	24641-041-000	E-12
17509-398-960	F-21	24651-035-000L	E-12
17611-KCC-900	F-13	24652-035-000	E-12
17613-KCC-900	F-13	24701-KWA-940	F-17

PART NO	BLOCK	PART NO	BLOCK
28101-KWA-940	E-7B-SELF	32100-AAC-210	F-24-DISC-SELF
28102-KWA-940	E-7B-SELF	32100-AAC-200	F-24-DRUM-KICK
28103-GB4-700	E-7B-SELF	32100-AAC-210	F-24-DRUM-SELF
28110-AAD-H40	E-7B-SELF	32102-KCC-840	F-3-DISC-SELF
28117-KFL-850	E-7B-SELF	32108-344-820	F-24-DISC-SELF
28120-KWA-942	E-7B-SELF	32108-344-820	F-24-DISC-SELF
28211-AAF-000	E-11	32108-KE8-000	F-24-DRUM-KICK
28221-198-010	E-11	32108-344-820	F-24-DRUM-KICK
28251-GF6-000	E-11	32108-344-820	F-24-DRUM-KICK
28253-397-000	E-11	32108-344-820	F-24-DRUM-SELF
28254-198-000	E-11	32108-344-820	F-24-DRUM-SELF
28256-198-000	E-11	32161-404-000	F-3-DISC-SELF
28261-198-000	E-11	32161-404-000	F-3-DRUM-KICK
28262-198-000	E-11	32161-404-000	F-3-DRUM-SELF
28293-KAG-900	F-17	32410-KVH-871	E-7C-SELF
28302-KWA-940	F-17	32712-ZA0-000	F-25-KICK
28321-427-770	F-17	32712-ZA0-000	F-25-SELF
28333-124-000	F-17	32961-KST-940	E-7-KICK
30401-KTE-910	F-24-DISC-SELF	32961-KST-940	E-7A-SELF
30401-KTE-910	F-24-DISC-SELF	32981-GB4-780	E-7-KICK
30401-KTE-910	F-24-DRUM-KICK	32981-GB4-780	E-7A-SELF
30401-KTE-910	F-24-DRUM-KICK	33120-AAC-20099	F-1
30401-KTE-910	F-24-DRUM-SELF	33126-KCC-730	F-1
30401-KTE-910	F-24-DRUM-SELF	33128-GBL-000	F-1
30410-KWA-931	F-24-DISC-SELF	33130-KWA-831	F-1
30410-KWA-931	F-24-DRUM-KICK	33301-KVE-900	F-1
30410-KWA-931	F-24-DRUM-SELF	33301-KVE-900	F-1
30500-AAC-201	F-24-DISC-SELF	33401-AAC-201	F-22
30500-AAC-201	F-24-DRUM-KICK	33402-AAC-201	F-22

30500-AAC-201	F-24-DRUM-SELF	33415-AAC-201	F-22
30700-KWA-831	F-24-DISC-SELF	33451-AAC-201	F-22
30700-KWA-831	F-24-DISC-SELF	33452-AAC-201	F-22
30700-KWA-831	F-24-DRUM-KICK	33465-AAC-201	F-22
30700-KWA-831	F-24-DRUM-KICK	33491-KAF-000	F-22
30700-KWA-831	F-24-DRUM-SELF	33615-AAC-201	F-22
30700-KWA-831	F-24-DRUM-SELF	33619-459-840A	F-16
31100-AAC-201	E-7-KICK	33619-459-840A	F-16
31100-AAC-211	E-7A-SELF	33665-AAC-201	F-22
31110-KWA-931	E-7-KICK	33702-AAC-201	F-23
31110-AAC-211	E-7A-SELF	33703-AAC-201	F-23
31120-AAC-201	E-7-KICK	33714-KL3-620	F-5
31120-AAC-201	E-7A-SELF	33714-KL3-620	F-5
31201-KG8-004	E-7C-SELF	33741-KTC-900	F-21
31202-GB2-700L	E-7C-SELF	34901-KSP-910	F-1
31204-KG8-004	E-7C-SELF	34901-KSP-910	F-1
31205-KWA-941	E-7C-SELF	34907-KVN-901	F-23
31208-KWA-941	E-7C-SELF	34930-AAC-700	F-22
31210-KWA-94099	E-7C-SELF	34930-AAC-700	F-22
31210-KWA-94099	E-7C-SELF	35010-AAC-200	F-2-DISC
31211-KWA-941	E-7C-SELF	35010-AAC-200	F-2-DRUM
31213-GB4-701L	E-7C-SELF	35100-AAC-H01	F-2-DISC
31500-KVT-801	F-24-DISC-SELF	35100-AAC-H01	F-2-DRUM
31500-KVT-801	F-24-DISC-SELF	35121-AAC-H30	F-2-DISC
31500-KWS-801	F-24-DRUM-KICK	35121-AAC-H30	F-2-DRUM
31500-KVT-801	F-24-DRUM-SELF	35122-AAC-H30	F-2-DISC
31500-KVT-801	F-24-DRUM-SELF	35122-AAC-H30	F-2-DRUM
31600-KWF-841	F-24-DISC-SELF	35130-AAD-00099	F-18-KICK
31600-KWF-841	F-24-DRUM-KICK	35130-AAD-00099	F-18-SELF
31600-KWF-841	F-24-DRUM-SELF	35140-AAD-00099	F-18-KICK

31700-124-000	F-24-DISC-SELF	35140-AAD-00099	F-18-SELF
31700-124-000	F-24-DISC-SELF	35150-KWA-841	F-3-DISC-SELF
31700-124-000	F-24-DRUM-SELF	35150-KWA-841	F-3-DRUM-SELF
31700-124-000	F-24-DRUM-SELF	35152-KWA-841	F-3-DISC-SELF
31917-AAC-H00	E-1	35152-KWA-841	F-3-DRUM-SELF

PART NO	BLOCK	PART NO	BLOCK
35200-AAC-211	F-3-DISC-SELF	38506-KSP-910	F-24-DISC-SELF
35200-AAC-201	F-3-DRUM-KICK	38506-KWA-840	F-24-DISC-SELF
35200-AAC-211	F-3-DRUM-SELF	38506-KSP-910	F-24-DRUM-KICK
35330-413-003	F-3-DISC-SELF	38506-KSP-910	F-24-DRUM-KICK
35330-413-003	F-3-DISC-SELF	38506-KWA-840	F-24-DRUM-KICK
35330-413-003	F-3-DRUM-SELF	38506-KSP-910	F-24-DRUM-SELF
35330-413-003	F-3-DRUM-SELF	38506-KSP-910	F-24-DRUM-SELF
35340-KCC-841	F-3-DISC-SELF	38506-KWA-840	F-24-DRUM-SELF
35340-KCC-841	F-3-DISC-SELF	40510-KWA-940	F-19
35340-KCC-900	F-3-DRUM-KICK	40520-KWA-940	F-19
35340-KCC-900	F-3-DRUM-KICK	40530-KST-940	F-19
35340-KCC-900	F-3-DRUM-SELF	40531-KTE-910	F-19
35340-KCC-900	F-3-DRUM-SELF	40543-198-900	F-10-CAST
35340-KCC-841	F-3A-DISC-SELF	40543-198-900	F-10-SPOKE
35340-KCC-841	F-3A-DISC-SELF	40544-198-900	F-11-CAST
35350-KWA-930	F-18-KICK	40544-198-900	F-11-SPOKE
35350-KWA-940	F-18-SELF	40545-001-000	F-19
35357-KWA-830	F-18-KICK	40545-001-000	F-19
35357-KWA-830	F-18-SELF	41201-KVH-760	F-11-CAST
35701-KWA-931	E-13	41201-KVH-760	F-11-SPOKE
35750-001-000	E-12	41241-KTC-900	F-11-CAST
35753-035-010	E-12	41241-KTC-900	F-11-SPOKE
35755-001-000	E-12	42301-ABA-000	F-11-CAST
37100-AAC-04099	F-2-DISC	42301-ABA-000	F-11-SPOKE
37100-AAC-02099	F-2-DRUM	42303-KCC-600	F-11-CAST
37105-KRJ-901	F-2-DISC	42303-KCC-600	F-11-SPOKE
37105-KRJ-901	F-2-DRUM	42304-198-900	F-11-CAST
37202-AAC-021	F-2-DISC	42304-198-900	F-11-SPOKE
37202-AAC-021	F-2-DRUM	42313-KCC-600	F-10-CAST

37210-AAC-021	F-2-DISC	42313-KCC-600	F-10-SPOKE
37210-AAC-021	F-2-DRUM	42601-AAC-230099	F-11-CAST
37211-AAC-041	F-2-DISC	42601-KTR-940	F-11-SPOKE
37211-AAC-021	F-2-DRUM	42603-198-900	F-9-DRUM-SPOKE
37212-AAC-021	F-2-DISC	42603-198-900	F-9-DRUM-SPOKE
37212-AAC-021	F-2-DRUM	42603-198-900	F-11-SPOKE
37214-KV7-671	F-2-DISC	42603-198-900	F-11-SPOKE
37214-KV7-671	F-2-DRUM	42611-KWA-940	F-11-CAST
37243-323-000	F-17	42611-KWA-940	F-11-SPOKE
37243-323-000	F-17	42615-KCC-600	F-11-CAST
37700-KWA-830	F-2-DISC	42615-KCC-600	F-11-SPOKE
37700-KWA-830	F-2-DRUM	42620-KTR-700	F-11-CAST
37800-KWA-930	F-13	42620-KTR-700	F-11-CAST
38110-KWA-93099	F-5	42620-KTR-940	F-11-SPOKE
38117-KFE-701	F-5	42711-KTR-901	F-11-CAST
38117-KFE-701	F-5	42711-KTR-901	F-11-SPOKE
38301-KWA-831	F-24-DISC-SELF	42712-KCS-920	F-9-DISC-CAST
38301-KWA-831	F-24-DRUM-KICK	42712-KCS-920	F-9-DISC-CAST
38301-KWA-831	F-24-DRUM-SELF	42712-KCS-920	F-9-DRUM-CAST
38306-GE7-000	F-24-DISC-SELF	42712-KCS-920	F-9-DRUM-CAST
38306-GE7-000	F-24-DISC-SELF	42712-KCS-920	F-9-DRUM-SPOKE
38306-GE7-000	F-24-DRUM-KICK	42712-KCS-920	F-9-DRUM-SPOKE
38306-GE7-000	F-24-DRUM-KICK	42712-KTR-901	F-11-CAST
38306-GE7-000	F-24-DRUM-SELF	42712-KTR-901	F-11-SPOKE
38306-GE7-000	F-24-DRUM-SELF	42713-KFN-850	F-9-DRUM-SPOKE
38501-KTP-890	F-24-DISC-SELF	42713-KFN-850	F-11-SPOKE
38501-KTP-890	F-24-DRUM-KICK	43100-KTR-700	F-10-CAST
38501-KTP-890	F-24-DRUM-SELF	43100-KTR-700	F-10-CAST
38502-KSP-910	F-24-DISC-SELF	43100-KTR-900	F-10-SPOKE
38502-KSP-910	F-24-DISC-SELF	43141-KTC-900	F-10-CAST

38502-KSP-910	F-24-DRUM-KICK	43141-KTC-900	F-10-CAST
38502-KSP-910	F-24-DRUM-KICK	43141-KTC-900	F-10-SPOKE
38502-KSP-910	F-24-DRUM-SELF	43141-KTC-900	F-10-SPOKE
38502-KSP-910	F-24-DRUM-SELF	43216-MAK-003	F-8A-DISC-CAST
38506-KSP-910	F-24-DISC-SELF	43410-KCT-690	F-10-CAST

PART NO	BLOCK	PART NO	BLOCK
43410-KCT-690	F-10-CAST	44810-KTC-900	F-9-DISC-CAST
43410-KCT-690	F-10-SPOKE	44810-KTC-900	F-9-DISC-CAST
43410-KCT-690	F-10-SPOKE	44830-AAC-000	F-2-DISC
43431-198-900	F-19	44830-KWA-830A	F-2-DISC
43434-286-000	F-10-CAST	44830-AAC-000	F-2-DRUM
43434-286-000	F-10-CAST	44830-KWA-830A	F-2-DRUM
43434-286-000	F-10-SPOKE	45010-AAC-030	F-8-DRUM-CAST
43434-286-000	F-10-SPOKE	45010-AAC-020	F-8-DRUM-SPOKE
43451-KCC-600	F-18-KICK	45107-KCC-841	F-8A-DISC-CAST
43451-KCC-600	F-18-SELF	45108-KCC-841	F-8A-DISC-CAST
44301-KTR-700	F-9-DISC-CAST	45125-AAH-F0099	F-8-DRUM-CAST
44301-KTR-700	F-9-DISC-CAST	45125-AAH-F0099	F-8-DRUM-SPOKE
44301-KTR-700	F-9-DRUM-CAST	45125-AAH-F0099	F-10-CAST
44301-KTR-700	F-9-DRUM-CAST	45125-AAH-F0099	F-10-SPOKE
44301-KTR-700	F-9-DRUM-SPOKE	45126-KCC-840	F-3A-DISC-SELF
44301-KTR-700	F-9-DRUM-SPOKE	45126-KCC-840	F-3A-DISC-SELF
44311-KRC-900	F-9-DISC-CAST	45132-KCC-841	F-8A-DISC-CAST
44311-KRC-900	F-9-DISC-CAST	45133-KCC-900	F-8-DRUM-CAST
44311-KRC-900	F-9-DRUM-CAST	45133-KCC-900	F-8-DRUM-CAST
44311-KRC-900	F-9-DRUM-CAST	45133-KCC-900	F-8-DRUM-SPOKE
44311-KRC-900	F-9-DRUM-SPOKE	45133-KCC-900	F-8-DRUM-SPOKE
44311-KRC-900	F-9-DRUM-SPOKE	45133-KCC-841	F-8A-DISC-CAST
44601-AAC-240	F-9-DISC-CAST	45133-KCC-900	F-10-CAST
44601-AAC-230099	F-9-DRUM-CAST	45133-KCC-900	F-10-CAST
44601-KTR-940	F-9-DRUM-SPOKE	45133-KCC-900	F-10-SPOKE
44620-400-000	F-9-DISC-CAST	45133-KCC-900	F-10-SPOKE
44620-400-000	F-9-DISC-CAST	45134-250-000	F-8-DRUM-CAST
44620-400-000	F-9-DRUM-CAST	45134-250-000	F-8-DRUM-CAST
44620-400-000	F-9-DRUM-CAST	45134-250-000	F-8-DRUM-SPOKE

44620-198-900	F-9-DRUM-SPOKE	45134-250-000	F-8-DRUM-SPOKE
44620-198-900	F-9-DRUM-SPOKE	45134-250-000	F-10-CAST
44680-410-000	F-9-DISC-CAST	45134-250-000	F-10-CAST
44680-410-000	F-9-DISC-CAST	45134-250-000	F-10-SPOKE
44680-410-000	F-9-DRUM-CAST	45134-250-000	F-10-SPOKE
44680-410-000	F-9-DRUM-CAST	45141-KTC-900	F-8-DRUM-CAST
44701-AAC-H00	F-9-DRUM-SPOKE	45141-KTC-900	F-8-DRUM-CAST
44701-AAC-H00	F-9-DRUM-SPOKE	45141-KTC-900	F-8-DRUM-SPOKE
44701-AAC-H00	F-11-SPOKE	45141-KTC-900	F-8-DRUM-SPOKE
44701-AAC-H00	F-11-SPOKE	45145-096-650	F-8-DRUM-CAST
44711-KFN-850	F-9-DISC-CAST	45145-096-650	F-8-DRUM-CAST
44711-KFN-850	F-9-DRUM-CAST	45145-096-650	F-8-DRUM-SPOKE
44711-KFN-850	F-9-DRUM-SPOKE	45145-096-650	F-8-DRUM-SPOKE
44800-KVE-901	F-9-DISC-CAST	45145-KFM-900	F-10-CAST
44800-KVE-901	F-9-DISC-CAST	45145-KFM-900	F-10-CAST
44804-KVE-901	F-9-DISC-CAST	45145-KFM-900	F-10-SPOKE
44805-KTC-900	F-8-DRUM-CAST	45145-KFM-900	F-10-SPOKE
44805-KTC-900	F-8-DRUM-CAST	45155-KCC-840	F-3A-DISC-SELF
44805-KTC-900	F-8-DRUM-SPOKE	45156-KCC-840	F-3A-DISC-SELF
44805-KTC-900	F-8-DRUM-SPOKE	45156-KCC-840	F-3A-DISC-SELF
44805-KVE-901	F-9-DISC-CAST	45220-KCC-841	F-8A-DISC-CAST
44806-KST-900	F-8-DRUM-CAST	45250-KCC-841	F-8A-DISC-CAST
44806-KST-900	F-8-DRUM-CAST	45250-KCC-841	F-8A-DISC-CAST
44806-KST-900	F-8-DRUM-SPOKE	45251-KVE-901	F-9-DISC-CAST
44806-KST-900	F-8-DRUM-SPOKE	45290-KCC-841	F-8A-DISC-CAST
44809-170-000	F-8-DRUM-CAST	45290-KCC-841	F-8A-DISC-CAST
44809-170-000	F-8-DRUM-CAST	45352-KCC-841	F-8A-DISC-CAST
44809-170-000	F-8-DRUM-SPOKE	45353-KCC-841	F-8A-DISC-CAST
44809-170-000	F-8-DRUM-SPOKE	45410-KTR-A20	F-8-DRUM-CAST
44809-170-000	F-9-DISC-CAST	45410-KTR-A20	F-8-DRUM-SPOKE

44809-170-000	F-9-DISC-CAST	45435-GB2-720	F-8-DRUM-CAST
44810-KTC-900	F-8-DRUM-CAST	45435-GB2-720	F-8-DRUM-CAST
44810-KTC-900	F-8-DRUM-CAST	45435-GB2-720	F-8-DRUM-SPOKE
44810-KTC-900	F-8-DRUM-SPOKE	45435-GB2-720	F-8-DRUM-SPOKE
44810-KTC-900	F-8-DRUM-SPOKE	45450-AAD-000	F-3-DRUM-KICK

PART NO	BLOCK	PART NO	BLOCK
45450-AAD-000	F-3-DRUM-SELF	50710-461-770	F-17
45451-KCC-900	F-6	50712-438-730	F-17
45504-KCC-841	F-3A-DISC-SELF	50712-438-730	F-17
45506-KCC-841	F-3A-DISC-SELF	50713-438-730	F-17
45510-KVN-901	F-3A-DISC-SELF	50713-438-730	F-17
45510-KVN-901	F-3A-DISC-SELF	50715-KCC-900	F-17
45513-KCC-841	F-3A-DISC-SELF	50715-KCC-900	F-17
45515-KVN-901	F-3A-DISC-SELF	50718-KCC-900	F-17
45516-KCC-841	F-3A-DISC-SELF	50718-KCC-900	F-17
45517-KCC-841	F-3A-DISC-SELF	50803-KWA-940	F-28
45517-KCC-841	F-3A-DISC-SELF	51103-AAC-000	F-29
45518-KCC-841	F-3A-DISC-SELF	51106-KCC-900	F-29
45519-KCC-841	F-3A-DISC-SELF	51400-KWA-971	F-7-DISC
45520-KCC-841	F-3A-DISC-SELF	51400-KWA-941	F-7-DRUM
45521-KCC-841	F-3A-DISC-SELF	51401-KST-941	F-7-DISC
45522-KCC-841	F-3A-DISC-SELF	51401-KST-941	F-7-DRUM
45525-KCC-841	F-3A-DISC-SELF	51403-447-730	F-7-DISC
45526-KCC-841	F-3A-DISC-SELF	51403-KCC-900	F-7-DISC
45530-KCC-841	F-3A-DISC-SELF	51403-447-730	F-7-DRUM
46500-KWA-830	F-18-KICK	51403-KCC-900	F-7-DRUM
46500-KWA-830	F-18-SELF	51410-KWA-941	F-7-DISC
46514-KCC-900	F-18-KICK	51410-KWA-941	F-7-DRUM
46514-KCC-900	F-18-KICK	51412-KAG-900	F-7-DISC
46514-KCC-900	F-18-SELF	51412-KWA-941	F-7-DISC
46514-KCC-900	F-18-SELF	51412-KAG-900	F-7-DRUM
46515-KB9-000	F-18-KICK	51412-KWA-941	F-7-DRUM
46515-KB9-000	F-18-KICK	51420-KWA-971	F-7-DISC
46515-KB9-000	F-18-SELF	51420-KWA-941	F-7-DRUM
46515-KB9-000	F-18-SELF	51425-KST-901	F-7-DISC

50100-AAC-220	F-25-KICK	51425-KST-901	F-7-DISC
50100-AAC-230	F-25-SELF	51425-KST-901	F-7-DRUM
50160-KCC-900	F-17	51425-KST-901	F-7-DRUM
50186-KWA-830	F-21	51432-KST-901	F-7-DISC
50211-KCC-900	F-25-KICK	51432-KST-901	F-7-DRUM
50211-KCC-900	F-25-SELF	51437-KVN-901	F-7-DISC
50250-KWA-830	F-25-KICK	51437-KVN-901	F-7-DRUM
50250-KWA-830	F-25-SELF	51440-KTR-901	F-7-DISC
50301-KTR-900	F-5	51440-KTR-901	F-7-DRUM
50301-KTR-900	F-5	51500-KWA-971	F-7-DISC
50325-AAC-220	F-24-DISC-SELF	51500-KWA-941	F-7-DRUM
50325-AAC-220	F-24-DRUM-KICK	51520-KWA-971	F-7-DISC
50325-AAC-220	F-24-DRUM-SELF	51520-KWA-941	F-7-DRUM
50500-KCC-870	F-18-KICK	52101-KST-940	F-19
50500-KCC-870	F-18-SELF	52110-AAC-400	F-19
50505-KCC-900	F-16	52147-KTC-900	F-19
50505-KCC-900	F-16	52147-KTC-900	F-19
50512-KTC-900	F-18-KICK	52170-AAJ-H40	F-19
50512-KTC-900	F-18-KICK	52400-KWA-90099	F-20
50512-KTC-900	F-18-SELF	52410-KCC-871	F-20
50512-KTC-900	F-18-SELF	52486-KAG-900	F-20
50524-001-000	F-12	52486-KTN-701	F-20
50524-001-000	F-12	52489-399-600	F-20
50530-KCC-900	F-17	52495-098-000	F-20
50603-KB4-000	F-17	53100-AAC-000	F-4
50614-413-000	F-17	53105-KRC-900	F-4
50614-413-000	F-17	53105-KRC-900	F-4
50618-KCC-000	F-17	53131-AAC-H00	F-4
50619-425-010	F-17	53132-124-000	F-4
50619-KCC-000	F-17	53132-124-000	F-4

50661-425-670	F-17	53133-198-900	F-4
50661-425-670	F-17	53133-198-900	F-4
50701-KWA-830	F-17	53134-028-000	F-4
50702-KST-940	F-17	53134-028-000	F-4
50710-461-770	F-17	53135-198-900	F-4

PART NO	BLOCK	PART NO	BLOCK
53135-198-900	F-4	61101-AAC-220X	F-6
53136-198-900	F-4	61101-AAC-220Y	F-6
53136-198-900	F-4	61102-KWA-910	F-6
53140-AAC-000	F-3-DISC-SELF	61103-357-000	F-23
53140-AAC-000	F-3-DRUM-KICK	61304-KRY-900	F-21
53140-AAC-000	F-3-DRUM-SELF	61311-AAC-200	F-1
53166-AAC-000	F-3-DISC-SELF	61312-149-300	F-1
53166-AAC-000	F-3-DRUM-KICK	61312-149-300	F-1
53166-AAC-000	F-3-DRUM-SELF	61314-AAC-200	F-1
53167-GE4-000	F-3-DRUM-KICK	64100-AAC-200	F-1
53168-166-000	F-3-DISC-SELF	64310-198-D20A	F-21A
53168-KWA-841	F-3-DISC-SELF	64310-198-D20A	F-21A
53168-166-000	F-3-DRUM-KICK	64315-AAC-220	F-1
53168-KWA-841	F-3-DRUM-KICK	77110-AAC-H00	F-12
53168-166-000	F-3-DRUM-SELF	77156-KCC-870	F-12
53168-KWA-841	F-3-DRUM-SELF	77200-KWA-830	F-12
53171-KCC-900	F-3-DISC-SELF	77202-KCC-900	F-12
53171-KCC-900	F-3-DRUM-KICK	77202-KCC-900	F-12
53171-KCC-900	F-3-DRUM-SELF	77202-KCC-900	F-21
53172-KTC-920	F-3-DISC-SELF	77202-KCC-900	F-21
53172-KTC-920	F-3-DISC-SELF	77204-KCC-900	F-12
53172-KTC-920	F-3-DRUM-KICK	77204-KCC-900	F-12
53172-KTC-920	F-3-DRUM-KICK	77206-KCC-900	F-12
53172-KTC-920	F-3-DRUM-SELF	77206-KCC-900	F-12
53172-KTC-920	F-3-DRUM-SELF	77220-KY6-000	F-12
53173-KTR-A20	F-3-DRUM-KICK	77220-KY6-000	F-12
53173-AAC-200	F-3-DRUM-SELF	77230-KWA-830	F-12
53175-AAF-H00	F-3-DRUM-KICK	77237-AAC-200R	F-12
53175-AAF-H00	F-3-DRUM-SELF	77237-AAC-200U	F-12

53175-KCC-840	F-3A-DISC-SELF	77237-AAC-200Z	F-12
53178-AAF-H00	F-3-DISC-SELF	77237-AAC-2001	F-12
53178-AAF-H00	F-3-DISC-SELF	77237-AAC-2002	F-12
53178-AAF-H00	F-3-DRUM-KICK	77237-AAC-220	F-23
53178-AAF-H00	F-3-DRUM-KICK	77240-AAC-200R	F-12
53178-AAF-H00	F-3-DRUM-SELF	77240-AAC-200S	F-12
53178-AAF-H00	F-3-DRUM-SELF	77240-AAC-200T	F-12
53179-KTC-900	F-3-DISC-SELF	77240-AAC-200U	F-12
53179-KTC-900	F-3-DISC-SELF	77240-AAC-200V	F-12
53179-KTC-900	F-3-DRUM-KICK	77240-AAC-200W	F-12
53179-KTC-900	F-3-DRUM-KICK	77240-AAC-200X	F-12
53179-KTC-900	F-3-DRUM-SELF	77240-AAC-200Y	F-12
53179-KTC-900	F-3-DRUM-SELF	77248-AAC-200R	F-27
53200-AAD-000	F-5	77248-AAC-200S	F-27
53208-AAH-000	F-4	77248-AAC-200T	F-27
53208-AAH-000	F-4	77248-AAC-200U	F-27
53209-GAH-000	F-1	77248-AAC-200V	F-27
53209-GAH-000	F-1	77248-AAC-200W	F-27
53211-268-010	F-5	77248-AAC-200X	F-27
53211-268-010	F-5	77248-AAC-200Y	F-27
53212-200-000	F-5	77250-AAC-200R	F-12
53212-200-000	F-5	77250-AAC-200S	F-12
53214-200-000	F-5	77250-AAC-200T	F-12
53214-200-000	F-5	77250-AAC-200U	F-12
53215-KTR-900	F-5	77250-AAC-200V	F-12
53215-KTR-900	F-5	77250-AAC-200W	F-12
53221-KTR-900	F-5	77250-AAC-200X	F-12
53221-KTR-900	F-5	77250-AAC-200Y	F-12
53222-KTR-900	F-5	77258-AAC-200R	F-27
53222-KTR-900	F-5	77258-AAC-200S	F-27

53230-KST-950	F-4	77258-AAC-200T	F-27
61101-AAC-220R	F-6	77258-AAC-200U	F-27
61101-AAC-220U	F-6	77258-AAC-200V	F-27
61101-AAC-220V	F-6	77258-AAC-200W	F-27
61101-AAC-220W	F-6	77258-AAC-200X	F-27

PART NO	BLOCK	PART NO	BLOCK
77258-AAC-200Y	F-27	83600-AAC-200W	F-14
78135-AAC-021	F-2-DISC	83600-AAC-200X	F-14
78135-AAC-021	F-2-DRUM	83600-AAC-200Y	F-14
80101-443-000	F-1	83610-AAC-220	F-25-KICK
80101-443-000	F-1	83610-AAC-220	F-25-SELF
80102-AAC-H30	F-27	84701-KCC-860	F-21
80104-KCC-870H	F-21	84701-KCC-860	F-21
80105-AAC-220	F-21	84701-P26-D00A	F-21A
80120-AAC-H30	F-21	87115-AAC-200R	F-27
80123-KCC-870	F-21	87115-AAC-200S	F-27
81201-KWA-940ZA	F-12	87115-AAC-200T	F-27
81201-AAC-2000	F-12	87115-AAC-200U	F-27
81202-KCC-730Z	F-12	87115-AAC-200V	F-27
81203-KCC-730Z	F-12	87115-AAC-200W	F-27
83400-AAC-200R	F-1	87115-AAC-200X	F-27
83400-AAC-200S	F-1	87115-AAC-200Y	F-27
83400-AAC-200T	F-1	87116-AAC-200R	F-27
83400-AAC-200U	F-1	87116-AAC-200S	F-27
83400-AAC-200V	F-1	87116-AAC-200T	F-27
83400-AAC-200W	F-1	87116-AAC-200U	F-27
83400-AAC-200X	F-1	87116-AAC-200V	F-27
83400-AAC-200Y	F-1	87116-AAC-200W	F-27
83402-AAC-220	F-1	87116-AAC-200X	F-27
83406-AAC-200R	F-27	87116-AAC-200Y	F-27
83406-AAC-200S	F-27	87117-AAC-200R	F-27
83406-AAC-200T	F-27	87117-AAC-200S	F-27
83406-AAC-200U	F-27	87118-AAC-2000	F-27
83406-AAC-200V	F-27	87501-AAC-H40	F-30
83406-AAC-200W	F-27	87507-MZ8-W00	F-30

83406-AAC-200X	F-27	87522-MAB-600	F-30
83406-AAC-200Y	F-27	88110-AAC-201R	F-3-DISC-SELF
83407-KTR-940	F-15-KICK	88110-AAC-201U	F-3-DISC-SELF
83407-KTR-940	F-15-KICK	88110-AAC-201V	F-3-DISC-SELF
83407-KTR-940	F-15-SELF	88110-AAC-201W	F-3-DISC-SELF
83407-KTR-940	F-15-SELF	88110-AAC-201X	F-3-DISC-SELF
83408-AAC-200R	F-27	88110-AAC-201Y	F-3-DISC-SELF
83408-AAC-200S	F-27	88110-AAC-201R	F-3-DRUM-KICK
83408-AAC-200T	F-27	88110-AAC-201U	F-3-DRUM-KICK
83408-AAC-200U	F-27	88110-AAC-201V	F-3-DRUM-KICK
83408-AAC-200V	F-27	88110-AAC-201W	F-3-DRUM-KICK
83408-AAC-200W	F-27	88110-AAC-201X	F-3-DRUM-KICK
83408-AAC-200X	F-27	88110-AAC-201Y	F-3-DRUM-KICK
83408-AAC-200Y	F-27	88110-AAC-201R	F-3-DRUM-SELF
83500-AAC-200R	F-14	88110-AAC-201U	F-3-DRUM-SELF
83500-AAC-200S	F-14	88110-AAC-201V	F-3-DRUM-SELF
83500-AAC-200T	F-14	88110-AAC-201W	F-3-DRUM-SELF
83500-AAC-200U	F-14	88110-AAC-201X	F-3-DRUM-SELF
83500-AAC-200V	F-14	88110-AAC-201Y	F-3-DRUM-SELF
83500-AAC-200W	F-14	88114-198-D10	F-3-DISC-SELF
83500-AAC-200X	F-14	88114-198-D10	F-3-DISC-SELF
83500-AAC-200Y	F-14	88114-198-D10	F-3-DRUM-KICK
83510-AAC-220	F-25-KICK	88114-198-D10	F-3-DRUM-KICK
83510-AAC-220	F-25-SELF	88114-198-D10	F-3-DRUM-SELF
83511-AAC-220	F-25-SELF	88114-198-D10	F-3-DRUM-SELF
83516-AAC-220	F-25-SELF	88120-AAC-201R	F-3-DISC-SELF
83551-300-000	F-13	88120-AAC-201U	F-3-DISC-SELF
83551-300-000	F-13	88120-AAC-201V	F-3-DISC-SELF
83551-300-000	F-14	88120-AAC-201W	F-3-DISC-SELF
83551-300-000	F-14	88120-AAC-201X	F-3-DISC-SELF

83600-AAC-200R	F-14	88120-AAC-201Y	F-3-DISC-SELF
83600-AAC-200S	F-14	88120-AAC-201R	F-3-DRUM-KICK
83600-AAC-200T	F-14	88120-AAC-201U	F-3-DRUM-KICK
83600-AAC-200U	F-14	88120-AAC-201V	F-3-DRUM-KICK
83600-AAC-200V	F-14	88120-AAC-201W	F-3-DRUM-KICK

PART NO	BLOCK	PART NO	BLOCK
88120-AAC-201X	F-3-DRUM-KICK	90111-187-000	F-21
88120-AAC-201Y	F-3-DRUM-KICK	90112-KCC-841	F-3A-DISC-SELF
88120-AAC-201R	F-3-DRUM-SELF	90114-310-000	F-3-DISC-SELF
88120-AAC-201U	F-3-DRUM-SELF	90114-310-000	F-3-DISC-SELF
88120-AAC-201V	F-3-DRUM-SELF	90114-310-000	F-3-DRUM-KICK
88120-AAC-201W	F-3-DRUM-SELF	90114-310-000	F-3-DRUM-KICK
88120-AAC-201X	F-3-DRUM-SELF	90114-310-000	F-3-DRUM-SELF
88120-AAC-201Y	F-3-DRUM-SELF	90114-310-000	F-3-DRUM-SELF
89102-AAC-000	F-26	90114-KCC-841	F-3A-DISC-SELF
89102-538-000	F-26	90114-KCC-841	F-3A-DISC-SELF
89103-538-000	F-26	90116-KAG-900	F-7-DISC
89215-AAC-000	F-26	90116-KAG-900	F-7-DRUM
89216-AAD-H00	F-26	90116-KCC-900	F-25-KICK
90003-KCC-840	F-3-DISC-SELF	90116-KCC-900	F-25-SELF
90003-KCC-840	F-3-DISC-SELF	90117-KCC-900	F-25-KICK
90003-KCC-840	F-3-DRUM-KICK	90117-KCC-900	F-25-SELF
90003-KCC-840	F-3-DRUM-KICK	90118-383-000	F-19
90003-KCC-840	F-3-DRUM-SELF	90121-AAD-500	F-25-KICK
90003-KCC-840	F-3-DRUM-SELF	90121-AAD-500	F-25-SELF
90012-333-000R	E-3	90122-KVT-941	F-24-DISC-SELF
90012-333-000R	E-3	90122-KVT-941	F-24-DRUM-KICK
90022-GFP-900	E-12	90122-KVT-941	F-24-DRUM-SELF
90031-GF6-000R	E-8-KICK	90123-KRM-860	F-7-DISC
90031-GF6-000R	E-8-SELF	90123-KRM-860	F-7-DISC
90032-GF6-000R	E-8-KICK	90123-KST-941	F-7-DISC
90032-GF6-000R	E-8-SELF	90123-KRM-860	F-7-DRUM
90033-041-020	E-2	90123-KRM-860	F-7-DRUM
90050-KFL-850	E-6	90123-KST-941	F-7-DRUM
90071-171-010	E-12	90133-331-770	F-19

90081-GFP-900	E-2	90133-331-770	F-19
90081-035-000	E-4	90145-MS9-610	F-3A-DISC-SELF
90083-KVH-900	E-4	90145-MS9-610	F-3A-DISC-SELF
90083-KVH-900	E-7-KICK	90155-KY4-900	F-8A-DISC-CAST
90083-KVH-900	E-7A-SELF	90155-KY4-900	F-8A-DISC-CAST
90084-KWA-930	E-7-KICK	90183-KTC-900	F-19
90084-KWA-930	E-7-KICK	90183-KTC-900	F-19
90084-KWA-930	E-7A-SELF	90201-GF6-000R	E-1
90084-KWA-930	E-7A-SELF	90201-MW3-620	F-3-DISC-SELF
90085-KWA-940	E-7B-SELF	90201-MW3-620	F-3-DISC-SELF
90087-KWA-930	E-7-KICK	90201-MW3-620	F-3-DRUM-KICK
90087-KWA-930	E-7A-SELF	90201-MW3-620	F-3-DRUM-KICK
90101-GJ6-000	F-1	90201-MW3-620	F-3-DRUM-SELF
90101-GJ6-000	F-1	90201-MW3-620	F-3-DRUM-SELF
90101-GE0-000	F-12	90206-001-000	E-3
90101-GE0-000	F-14	90206-001-000	E-3
90101-KWA-830	F-15-KICK	90231-087-010	E-6
90101-KWA-830	F-15-SELF	90231-087-010	E-6
90101-AAC-200	F-22	90231-198-000	E-6
90102-KVN-900	F-4	90302-KTE-911	F-10-CAST
90102-KVN-900	F-4	90302-KTE-911	F-10-CAST
90104-KCC-870	F-6	90302-KBP-900	F-10-CAST
90105-MK5-010	F-9-DISC-CAST	90302-KBP-900	F-10-CAST
90105-MK5-010	F-9-DISC-CAST	90302-KTE-911	F-10-SPOKE
90107-GZ4-670	F-12	90302-KTE-911	F-10-SPOKE
90107-KAN-900	F-16	90302-KBP-900	F-10-SPOKE
90107-KAN-900	F-16	90302-KBP-900	F-10-SPOKE
90107-AAD-000	F-17	90302-KBP-900	F-11-CAST
90111-147-000	F-1	90302-KBP-900	F-11-CAST
90111-KCC-841	F-3A-DISC-SELF	90302-KBP-900	F-11-SPOKE

90111-187-000	F-15-KICK	90302-KBP-900	F-11-SPOKE
90111-187-000	F-15-KICK	90303-KCC-841	F-3A-DISC-SELF
90111-187-000	F-15-SELF	90303-KCC-841	F-3A-DISC-SELF
90111-187-000	F-15-SELF	90304-AAH-000	F-4
90111-187-000	F-21	90304-AAH-000	F-4

PART NO	BLOCK	PART NO	BLOCK
90304-KST-942	F-4	90461-357-000	E-4
90304-KST-942	F-4	90461-GF6-000	E-6
90304-438-000	F-16	90461-GB4-770	E-10
90304-KST-942	F-17	90461-GB4-770	E-10
90304-KST-942	F-17	90461-035-000	E-10
90306-KTE-911	F-9-DISC-CAST	90461-459-000	E-10
90306-KTE-911	F-9-DISC-CAST	90481-035-000	E-4
90306-KTE-911	F-9-DRUM-CAST	90501-KCC-870	F-6
90306-KTE-911	F-9-DRUM-CAST	90501-KCC-870	F-6
90306-KTE-911	F-9-DRUM-SPOKE	90502-198-900	F-18-KICK
90306-KTE-911	F-9-DRUM-SPOKE	90502-198-900	F-18-KICK
90306-KST-942	F-10-CAST	90502-198-900	F-18-SELF
90306-KST-942	F-10-CAST	90502-198-900	F-18-SELF
90306-KST-942	F-10-SPOKE	90503-KTR-900	F-4
90306-KST-942	F-10-SPOKE	90503-KTR-900	F-4
90306-KST-942	F-11-CAST	90505-425-000	F-10-CAST
90306-KST-942	F-11-CAST	90505-425-000	F-10-CAST
90306-KST-942	F-11-SPOKE	90505-425-000	F-10-SPOKE
90306-KST-942	F-11-SPOKE	90505-425-000	F-10-SPOKE
90306-KTE-911	F-19	90521-292-000	F-7-DISC
90306-KTE-911	F-19	90521-292-000	F-7-DISC
90306-KVT-941	F-24-DISC-SELF	90521-292-000	F-7-DRUM
90306-KVT-941	F-24-DRUM-KICK	90521-292-000	F-7-DRUM
90306-KVT-941	F-24-DRUM-SELF	90544-439-930	F-7-DISC
90307-GJ6-000	F-1	90544-439-930	F-7-DRUM
90307-GJ6-000	F-1	90545-300-000	F-3A-DISC-SELF
90307-001-000	F-11-CAST	90545-300-000	F-3A-DISC-SELF
90307-001-000	F-11-CAST	90551-178-000	F-20
90307-001-000	F-11-SPOKE	90551-178-000	F-20

90307-001-000	F-11-SPOKE	90601-001-000	E-10
90309-357-000	F-11-CAST	90601-001-000	E-10
90309-357-000	F-11-SPOKE	90601-459-000	E-10
90311-KVH-900	F-1	90601-459-000	E-11
90311-MT3-000	F-15-KICK	90601-GF5-730	F-7-DISC
90311-MT3-000	F-15-SELF	90601-GF5-730	F-7-DISC
90320-GC3-000	F-1	90601-GF5-730	F-7-DRUM
90320-GC3-000	F-12	90601-GF5-730	F-7-DRUM
90320-GC3-000	F-14	90651-KCC-841	F-3A-DISC-SELF
90320-GC3-000	F-21	90677-KAN-961	F-1
90324-KCC-870	F-13	90701-GF6-000	E-2
90325-KCC-900	F-13	90701-GF6-000	E-2
90325-KCC-900	F-13	90702-GB6-910	E-4
90380-MB2-000	F-22	90702-GB6-910	E-4
90381-KWA-940	F-14	90702-GB6-910	E-5
90381-KWA-940	F-14	90702-GB6-910	E-5
90407-259-000	E-8-KICK	90702-GB6-910	E-7-KICK
90407-259-000	E-8-KICK	90702-GB6-910	E-7-KICK
90407-259-000	E-8-SELF	90702-GB6-910	E-7A-SELF
90407-259-000	E-8-SELF	90702-GB6-910	E-7A-SELF
90410-HC4-000	E-7-KICK	90703-HC4-000	E-8-KICK
90410-HC4-000	E-7A-SELF	90703-HC4-000	E-8-SELF
90432-086-000	E-6	90741-KFB-000	E-9
90432-086-000	E-6	90741-KFB-000	E-9
90441-035-000	E-4	90753-029-000	F-11-CAST
90442-GF6-000	E-1	90753-029-000	F-11-CAST
90443-GF6-010	E-1	90753-029-000	F-11-SPOKE
90451-GF6-000	E-10	90753-029-000	F-11-SPOKE
90451-198-000	E-10	90801-035-000	E-12
90452-GB4-770	E-10	91001-GF6-000	E-9

90452-GB4-770	E-10	91001-GF6-000	E-9
90452-115-000	E-11	91101-AAF-000	E-9
90454-107-000	E-11	91102-AAF-000	E-9
90454-107-000	E-11	91103-AAF-000	E-9
90461-357-000	E-1	91201-GBG-900	E-7B-SELF

PART NO	BLOCK	PART NO	BLOCK
91202-302-010	E-5	91540-S30-003	F-24-DISC-SELF
91202-KTL-741	E-7-KICK	91540-S30-003	F-24-DRUM-KICK
91203-GB5-760	E-10	91540-S30-003	F-24-DRUM-SELF
91204-GBG-850	E-7B-SELF	91541-S0A-003	F-24-DISC-SELF
91205-350-000	E-6	92000-06008-0H	E-10
91208-KB4-670	E-12	92000-06016-0A	F-17
91251-GK4-000	F-8-DRUM-CAST	92000-06016-0A	F-17
91251-GK4-000	F-8-DRUM-CAST	92000-06020-0H	F-17
91251-GK4-000	F-8-DRUM-SPOKE	92000-06016-0A	F-21A
91251-GK4-000	F-8-DRUM-SPOKE	92000-06016-0A	F-21A
91251-KPH-901	F-9-DISC-CAST	92101-06032-0A	F-17
91251-KPH-901	F-9-DISC-CAST	92800-12000-00	E-8-KICK
91251-KPH-901	F-9-DISC-CAST	92800-12000-00	E-8-KICK
91251-KPH-901	F-9-DISC-CAST	92800-12000-00	E-8-SELF
91251-KPH-901	F-9-DRUM-CAST	92800-12000-00	E-8-SELF
91251-KPH-901	F-9-DRUM-CAST	92811-10000	F-10-CAST
91251-KPH-901	F-9-DRUM-SPOKE	92811-10000	F-10-CAST
91251-KPH-901	F-9-DRUM-SPOKE	92811-10000	F-10-SPOKE
91255-KWA-941	F-7-DISC	92811-10000	F-10-SPOKE
91255-KWA-941	F-7-DISC	93500-05020-0G	F-3-DISC-SELF
91255-KWA-941	F-7-DRUM	93500-05020-0G	F-3-DISC-SELF
91255-KWA-941	F-7-DRUM	93500-05022-1G	F-3-DISC-SELF
91258-KEJ-900	F-9-DISC-CAST	93500-05022-1G	F-3-DISC-SELF
91258-KEJ-900	F-9-DISC-CAST	93500-05020-0G	F-3-DRUM-KICK
91258-KEJ-900	F-9-DRUM-CAST	93500-05020-0G	F-3-DRUM-KICK
91258-KEJ-900	F-9-DRUM-CAST	93500-05022-1G	F-3-DRUM-KICK
91258-KEJ-900	F-9-DRUM-SPOKE	93500-05022-1G	F-3-DRUM-KICK
91258-KEJ-900	F-9-DRUM-SPOKE	93500-05020-0G	F-3-DRUM-SELF
91301-035-000	E-7-KICK	93500-05020-0G	F-3-DRUM-SELF

91301-035-000	E-7B-SELF	93500-05022-1G	F-3-DRUM-SELF
91302-KEV-900	E-1	93500-05022-1G	F-3-DRUM-SELF
91303-719-000	E-5	93500-04025-0G	F-13
91303-719-000	E-5	93500-04025-0G	F-13
91303-377-000	E-7-KICK	93500-05016-0A	F-15-KICK
91303-377-000	E-7-KICK	93500-05016-0A	F-15-KICK
91303-377-000	E-7A-SELF	93500-05016-0A	F-15-SELF
91303-377-000	E-7A-SELF	93500-05016-0A	F-15-SELF
91303-GF6-000	E-8-KICK	93500-05010-1A	F-21A
91303-GF6-000	E-8-SELF	93600-05012-1H	E-6
91304-GB1-900	E-1	93600-06016-0A	E-7-KICK
91304-GB1-900	E-1	93600-06016-0A	E-7B-SELF
91304-704-000	F-11-CAST	93891-05014-18	F-18-KICK
91304-704-000	F-11-CAST	93891-05014-18	F-18-SELF
91304-704-000	F-11-SPOKE	93892-04006-08L	E-7C-SELF
91304-704-000	F-11-SPOKE	93892-05030-08L	E-7C-SELF
91305-028-150	E-2	93892-04010-10	E-13
91305-MC7-000	F-13	93892-04014-18	E-13
91305-MC7-000	F-13	93901-44220	F-1
91307-035-000	E-5	93901-32220	F-3-DISC-SELF
91307-035-000	E-5	93901-32220	F-3-DRUM-KICK
91308-GB4-701L	E-7C-SELF	93901-32220	F-3-DRUM-SELF
91309-GB2-701L	E-7C-SELF	93903-35280	F-1
91312-107-000	E-12	93903-22480	F-2-DISC
91317-171-000	E-7-KICK	93903-22480	F-2-DRUM
91317-171-000	E-7B-SELF	93903-24380	F-12
91352-GAZ-930	F-2-DISC	93903-24380	F-12
91352-GAZ-930	F-2-DRUM	93903-24380	F-15-KICK
91356-KGH-901	E-7-KICK	93903-24380	F-15-KICK
91356-KGH-901	E-7A-SELF	93903-24380	F-15-SELF

91356-KAG-900	F-7-DISC	93903-24380	F-15-SELF
91356-KAG-900	F-7-DRUM	93903-24380	F-21
91455-MG8-000	F-4	93903-24380	F-21
91455-MG8-000	F-4	93903-24380	F-23
91509-GE2-760	F-1	93903-24380	F-23

PART NO	BLOCK	PART NO	BLOCK
93913-25210	F-21	94101-12000	F-20
94001-06070-0S	F-2-DISC	94101-12000	F-20
94001-06070-0S	F-2-DRUM	94101-05000	F-21A
94001-06000-0S	F-10-CAST	94101-06000	F-21A
94001-06000-0S	F-10-CAST	94101-06000	F-21A
94001-08000-0S	F-10-CAST	94103-06700	F-2-DISC
94001-08000-0S	F-10-CAST	94103-06700	F-2-DRUM
94001-06000-0S	F-10-SPOKE	94111-10000	F-19
94001-06000-0S	F-10-SPOKE	94111-10000	F-19
94001-08000-0S	F-10-SPOKE	94111-08000	F-25-KICK
94001-08000-0S	F-10-SPOKE	94111-08000	F-25-SELF
94001-06000-0S	F-11-CAST	94201-20150	F-10-CAST
94001-06000-0S	F-11-CAST	94201-20150	F-10-CAST
94001-06000-0S	F-11-SPOKE	94201-20150	F-10-SPOKE
94001-06000-0S	F-11-SPOKE	94201-20150	F-10-SPOKE
94001-08000-0S	F-19	94201-16150	F-17
94001-08000-0S	F-19	94201-16150	F-17
94001-10000-0S	F-20	94201-20150	F-18-KICK
94021-10000-0S	F-20	94201-20150	F-18-KICK
94021-10000-0S	F-20	94201-30250	F-18-KICK
94030-10000	F-17	94201-30250	F-18-KICK
94030-10000	F-17	94201-20150	F-18-SELF
94030-08000	F-25-KICK	94201-20150	F-18-SELF
94030-08000	F-25-KICK	94201-30250	F-18-SELF
94030-08000	F-25-SELF	94201-30250	F-18-SELF
94030-08000	F-25-SELF	94201-20150	F-19
94050-10000	E-7-KICK	94201-20150	F-19
94050-10000	E-7-KICK	94510-12000L	E-7C-SELF
94050-10000	E-7A-SELF	94510-16000	E-11

94050-10000	E-7A-SELF	94510-16000	E-11
94050-06000	F-3-DISC-SELF	95002-02100	E-8-KICK
94050-06000	F-3-DISC-SELF	95002-80000	E-8-KICK
94050-06000	F-3-DRUM-KICK	95002-02100	E-8-SELF
94050-06000	F-3-DRUM-KICK	95002-80000	E-8-SELF
94050-06000	F-3-DRUM-SELF	95002-02089	E-13
94050-06000	F-3-DRUM-SELF	95002-02659	E-13
94050-06000	F-6	95002-02080	F-13
94050-06000	F-6	95002-02100	F-13
94050-06000	F-8-DRUM-CAST	95002-02130	F-15-KICK
94050-06000	F-8-DRUM-CAST	95002-02130	F-15-SELF
94050-06000	F-8-DRUM-SPOKE	95005-35260-50	E-13
94050-06000	F-8-DRUM-SPOKE	95011-51000	F-17
94050-06000	F-13	95014-72302	F-17
94050-06000	F-13	95014-72302	F-17
94050-08000	F-16	95014-71702	F-18-KICK
94050-08000	F-16	95014-71702	F-18-KICK
94050-10000	F-22	95014-73100	F-18-KICK
94050-10000	F-22	95014-73100	F-18-KICK
94101-06000	F-10-CAST	95014-71702	F-18-SELF
94101-06000	F-10-CAST	95014-71702	F-18-SELF
94101-06000	F-10-SPOKE	95014-73100	F-18-SELF
94101-06000	F-10-SPOKE	95014-73100	F-18-SELF
94101-06000	F-11-CAST	95015-32001	F-8-DRUM-CAST
94101-06000	F-11-CAST	95015-32001	F-8-DRUM-CAST
94101-06000	F-11-SPOKE	95015-42000	F-8-DRUM-CAST
94101-06000	F-11-SPOKE	95015-42000	F-8-DRUM-CAST
94101-05000	F-15-KICK	95015-32001	F-8-DRUM-SPOKE
94101-05000	F-15-SELF	95015-32001	F-8-DRUM-SPOKE
94101-06000	F-17	95015-42000	F-8-DRUM-SPOKE

94101-06000	F-17	95015-42000	F-8-DRUM-SPOKE
94101-08000	F-17	95015-81000	F-17
94101-08000	F-17	95015-32001	F-18-KICK
94101-08000	F-19	95015-32001	F-18-KICK
94101-08000	F-19	95015-42000	F-18-KICK

PART NO	BLOCK	PART NO	BLOCK
95015-42000	F-18-KICK	95701-08016-00	F-28
95015-53000	F-18-KICK	95701-08016-00	F-28
95015-53000	F-18-KICK	95701-08016-00	F-29
95015-32001	F-18-SELF	95701-08016-00	F-29
95015-32001	F-18-SELF	95701-08028-00	F-29
95015-42000	F-18-SELF	96001-06020-00	E-1
95015-42000	F-18-SELF	96001-06022-00	E-1
95015-53000	F-18-SELF	96001-06022-00	E-1
95015-53000	F-18-SELF	96001-06025-00	E-1
95018-46320	F-15-KICK	96001-06018-00	E-4
95018-46320	F-15-SELF	96001-06018-00	E-4
95701-06110-00	E-1	96001-06040-00	E-5
95701-06020-00	E-11	96001-06040-00	E-5
95701-06020-00	E-11	96001-06065-00	E-5
95701-06020-07	F-5	96001-06080-00	E-5
95701-06020-07	F-5	96001-06016-00	E-7-KICK
95701-08040-00	F-5	96001-06020-00	E-7-KICK
95701-08040-00	F-5	96001-06028-00	E-7-KICK
95701-06012-00	F-6	96001-06032-00	E-7-KICK
95701-06012-00	F-6	96001-06060-00	E-7-KICK
95701-06020-00	F-6	96001-06070-00	E-7-KICK
95701-06020-00	F-6	96001-06016-00	E-7A-SELF
95701-06032-00	F-8-DRUM-CAST	96001-06020-00	E-7A-SELF
95701-06032-00	F-8-DRUM-SPOKE	96001-06028-00	E-7A-SELF
95701-06035-00	F-10-CAST	96001-06032-00	E-7A-SELF
95701-06035-00	F-10-CAST	96001-06050-00	E-7A-SELF
95701-06035-00	F-10-SPOKE	96001-06070-00	E-7A-SELF
95701-06035-00	F-10-SPOKE	96001-06010-00	E-7B-SELF
95701-06012-00	F-12	96001-06045-00	E-7C-SELF

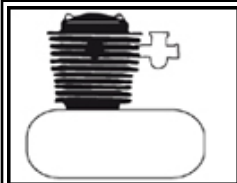
95701-06012-00	F-12	96001-06045-00	E-7C-SELF
95701-06020-00	F-12	96001-06016-00	E-8-KICK
95701-06020-00	F-12	96001-06025-00	E-8-KICK
95701-08016-00	F-12	96001-06050-00	E-8-KICK
95701-08016-00	F-12	96001-06060-00	E-8-KICK
95701-08035-00	F-13	96001-06065-00	E-8-KICK
95701-08035-00	F-13	96001-06016-00	E-8-SELF
95701-06012-00	F-15-KICK	96001-06025-00	E-8-SELF
95701-06012-00	F-15-KICK	96001-06050-00	E-8-SELF
95701-06012-00	F-15-SELF	96001-06060-00	E-8-SELF
95701-06012-00	F-15-SELF	96001-06065-00	E-8-SELF
95701-08016-00	F-16	96001-06012-00	E-12
95701-08016-00	F-16	96001-06012-00	E-12
95701-08016-07	F-17	96001-06010-00	F-1
95701-08016-07	F-17	96001-06016-07	F-1
95701-06012-00	F-21	96001-06025-07	F-3-DISC-SELF
95701-06012-00	F-21	96001-06025-07	F-3-DISC-SELF
95701-06020-00	F-21	96001-06025-07	F-3-DRUM-KICK
95701-06020-00	F-21	96001-06025-07	F-3-DRUM-KICK
95701-06012-00	F-24-DISC-SELF	96001-06025-07	F-3-DRUM-SELF
95701-06012-00	F-24-DISC-SELF	96001-06025-07	F-3-DRUM-SELF
95701-06014-00	F-24-DISC-SELF	96001-06020-00	F-24-DISC-SELF
95701-06014-00	F-24-DISC-SELF	96001-06020-00	F-24-DRUM-KICK
95701-06012-00	F-24-DRUM-KICK	96001-06020-00	F-24-DRUM-SELF
95701-06012-00	F-24-DRUM-KICK	96100-60010-00	E-6
95701-06014-00	F-24-DRUM-KICK	96100-60010-00	E-6
95701-06014-00	F-24-DRUM-KICK	96100-60010-00	E-10
95701-06012-00	F-24-DRUM-SELF	96100-60010-00	E-10
95701-06012-00	F-24-DRUM-SELF	96100-62010-00	E-10
95701-06014-00	F-24-DRUM-SELF	96100-62010-00	E-10

95701-06014-00	F-24-DRUM-SELF	96100-62030-00	E-10
95701-06010-00	F-25-KICK	96100-62030-00	E-10
95701-06010-00	F-25-KICK	96120-60010-10L	E-7C-SELF
95701-06010-00	F-25-SELF	96140-63010-10	F-9-DRUM-CAST
95701-06010-00	F-25-SELF	96140-63010-10	F-9-DRUM-CAST

PART NO	BLOCK
96140-63010-10	F-9-DRUM-SPOKE
96140-63010-10	F-9-DRUM-SPOKE
96140-63010-10	F-11-CAST
96140-63010-10	F-11-CAST
96140-63010-10	F-11-SPOKE
96140-63010-10	F-11-SPOKE
96150-63010-10	F-9-DISC-CAST
96150-63010-10	F-9-DISC-CAST
96150-62030-10	F-11-CAST
96150-62030-10	F-11-CAST
96150-62030-10	F-11-SPOKE
96150-62030-10	F-11-SPOKE
96211-08000	F-5
96211-08000	F-5
96211-08000	F-17
96211-08000	F-17
96220-30085	E-12
96220-30085	E-12
96700-08020-00	F-2-DISC
96700-08020-00	F-2-DRUM
96700-08040-00	F-12
97252-51162-10	F-9-DRUM-SPOKE
97252-51162-10	F-9-DRUM-SPOKE
97252-51162-10	F-11-SPOKE
97252-51162-10	F-11-SPOKE
97603-51162-10	F-9-DRUM-SPOKE
97603-51162-10	F-9-DRUM-SPOKE
97687-51161-10	F-11-SPOKE
98200-31000	F-24-DISC-SELF

98200-31000	F-24-DISC-SELF
98200-31500	F-24-DISC-SELF
98200-31500	F-24-DISC-SELF
98200-31000	F-24-DRUM-KICK
98200-31000	F-24-DRUM-KICK
98200-31500	F-24-DRUM-KICK
98200-31500	F-24-DRUM-KICK
98200-31000	F-24-DRUM-SELF
98200-31000	F-24-DRUM-SELF
98200-31500	F-24-DRUM-SELF
98200-31500	F-24-DRUM-SELF
99007-45000	F-26
99101-KWA-1050	E-13
99103-KTC-0350	E-13
99632-AAC-831	F-21A
99633-AAC-831	F-21A
99634-AAC-831	F-21A

BLOCK INDEX - GROUP Engine - Passion Pro (Aug, 2015).



E-1

CYLINDER HEAD COVER/INLET PIPE

2



E-2

CYLINDER/CYLINDER HEAD

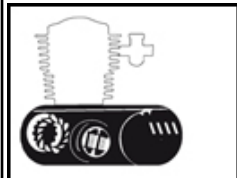
5



E-3

CAMSHAFT/VALVE

7



E-4

CAM CHAIN TENSIONER

9



E-5

RIGHT CRANK CASE COVER

12



E-6

CLUTCH

14



E-7-KICK

LEFT CRANK CASE COVER / A.C. GEN.ASSY.

17



E-7A-SELF

LEFT CRANK CASE COVER / A.C. GEN.ASSY.

20



E-7B-SELF

STARTING CLUTCH

23



E-7C-SELF

STARTER MOTOR

25



E-8-KICK

CRANK CASE / OIL PUMP

27



E-8-SELF

CRANK CASE/OIL PUMP

30



E-9

CRANKSHAFT/PISTON

33



E-10

TRANSMISSION

36



E-11

KICK STARTER

39



E-12

GEAR SHIFT

41



E-13

CABURETTOR

44

BLOCK INDEX - GROUP Frame - Passion Pro (Aug, 2015).



	F-1	HEAD LIGHT /FR.VISOR	47
	F-2-DISC	SPEEDOMETER/CABLE/KEY SET	50
	F-2-DRUM	SPEEDOMETER/CABLE/KEY SET	52
	F-3-DISC-SELF	HANDLE LEVER/SWITCH/CONTROL CABLE	54
	F-3-DRUM-KICK	HANDLE LEVER/SWITCH/CONTROL CABLE	58
	F-3-DRUM-SELF	HANDLE LEVER/SWITCH/CONTROL CABLE	62
	F-3A-DISC-SELF	FRONT BRAKE MASTER CYL.	66
	F-4	HANDLE PIPE/TOP BRIDGE	69
	F-5	STEERING STEM/HORN	72
	F-6	FRONT FENDER	75
	F-7-DISC	FRONT FORK	77
	F-7-DRUM	FRONT FORK	80



	F-8-DRUM-CAST	FRONT BRAKE PANEL	83
	F-8-DRUM-SPOKE	FRONT BRAKE PANEL	86
	F-8A-DISC-CAST	CALIPER ASSY. 'R' FR.	89
	F-9-DISC-CAST	FRONT WHEEL	91
	F-9-DRUM-CAST	FRONT WHEEL	94
	F-9-DRUM-SPOKE	FRONT WHEEL	96
	F-10-CAST	REAR BRAKE PANEL	99
	F-10-SPOKE	REAR BRAKE PANEL	102
	F-11-CAST	REAR WHEEL	105
	F-11-SPOKE	REAR WHEEL	108



	F-12	SEAT ASSY./COWL/GRIP REAR	111
	F-13	FUEL TANK	115
	F-14	SIDE COVER	118
	F-15-KICK	AIR CLEANER	121
	F-15-SELF	AIR CLEANER	124

BLOCK INDEX - GROUP Frame - Passion Pro (Aug, 2015).



F-16

MUFFLER

127

F-17

STEP ASSY./KICK STARTER

129

F-18-KICK

MAIN STAND/PEDAL BRAKE

133

F-18-SELF

MAIN STAND/PEDAL BRAKE

136

F-19

REAR FORK/CHAIN CASE

139

F-20

REAR CUSHION

142



F-21

REAR FENDER

144

F-21A

FR./RR. NUMBER/PLATE (OPTIONAL)

147

F-22

WINKERS

149

F-23

TAIL LIGHT

151

F-24-DISC-SELF

WIRE HARNESS/BATTERY

153

F-24-DRUM-KICK

WIRE HARNESS/BATTERY

156

F-24-DRUM-SELF

WIRE HARNESS/BATTERY

159



F-25-KICK

FRAME BODY/UTILITY BOX

162

F-25-SELF

FRAME BODY/UTILITY BOX

164

F-26

TOOLS

166

F-27

STRIPES/MARKS/EMBLEMS

168

F-28

GUARD ENGINE

190

F-29

GUARD SARI

192

F-30

MARK/CAUTION

194