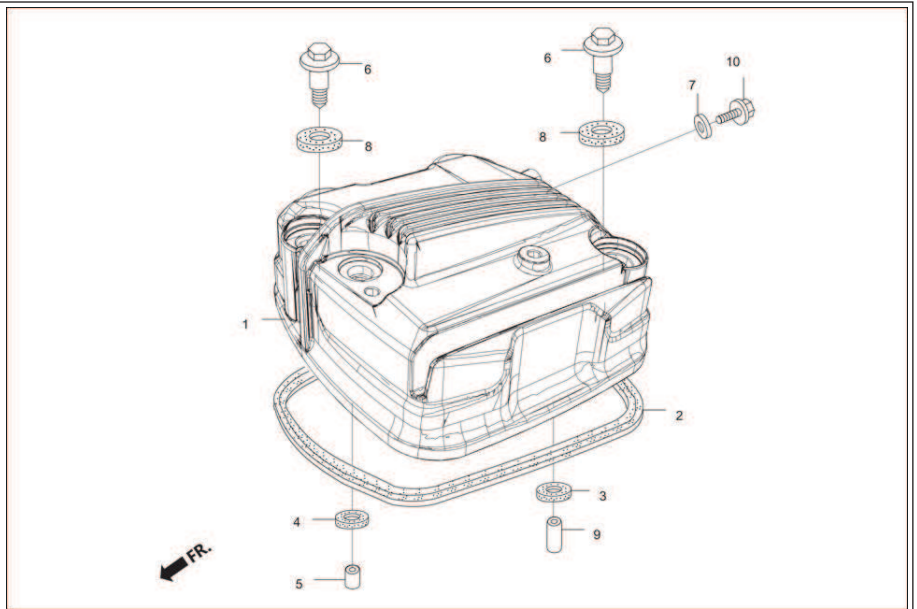


PARTS CATALOGUE

Xpulse 200 (May,2019)

E-1
CYLN. & CYLN HEAD (CYLINDER HEAD COVER)



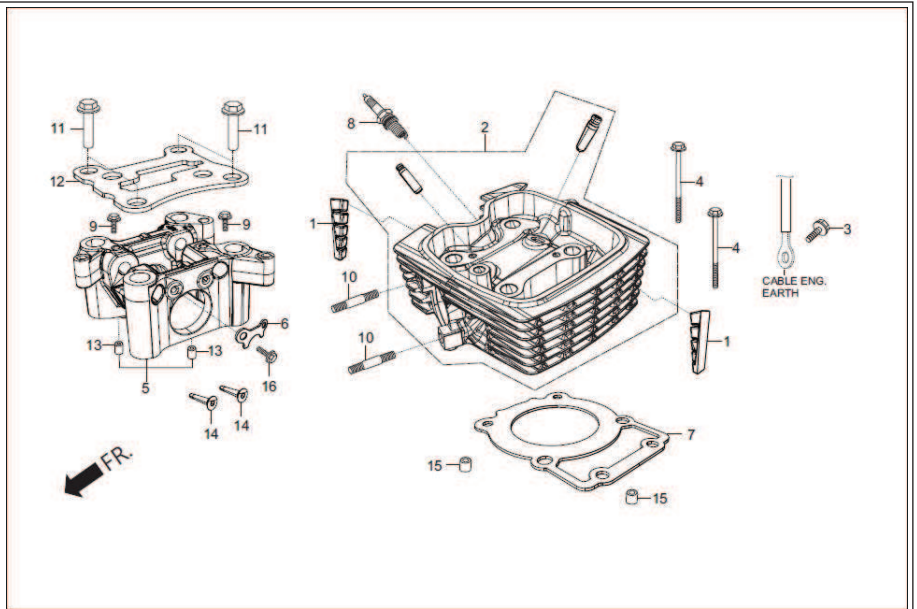
Service Item

F.R.T.

Group Number: E-1 Model :: Xpulse 200 (May,2019)

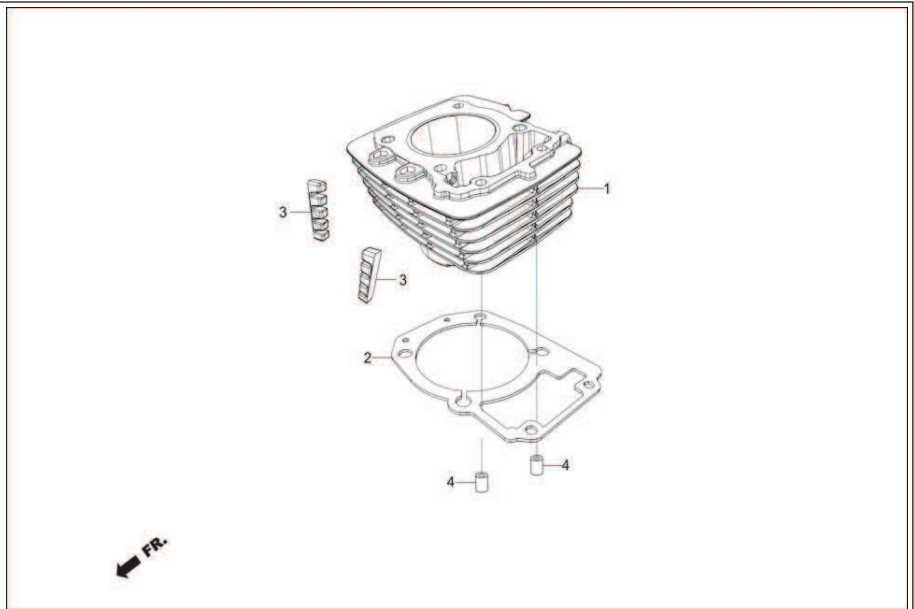
Ref No.	Part Number	Description	Req.
1	12310-ABW-000	COVER COMP. CYLINDER HEAD	1
2	12391-KRM-840	GASKET, HEAD COVER	1
3	12396-KRM-840	GASKET,B, HEAD COVER	1
4	12397-KSP-910	GASKET,CYL. HEAD COVER	1
5	12398-KSP-910	COLLAR 9 MM	1
6	90003-KFG-000	BOLT, 'L' COVER	2
7	90463-KRM-840	WASHER SEALING 6.2 MM	1
8	90543-MV9-670	RUBBER, MOUNT	2
9	94301-08140	DOWEL PIN, 8X14	1
10	96001-06012-00	BOLT,FLANGE,SH,6 X 12	1

E-1A
CYLN. & CYLN HEAD (CYLINDER HEAD)



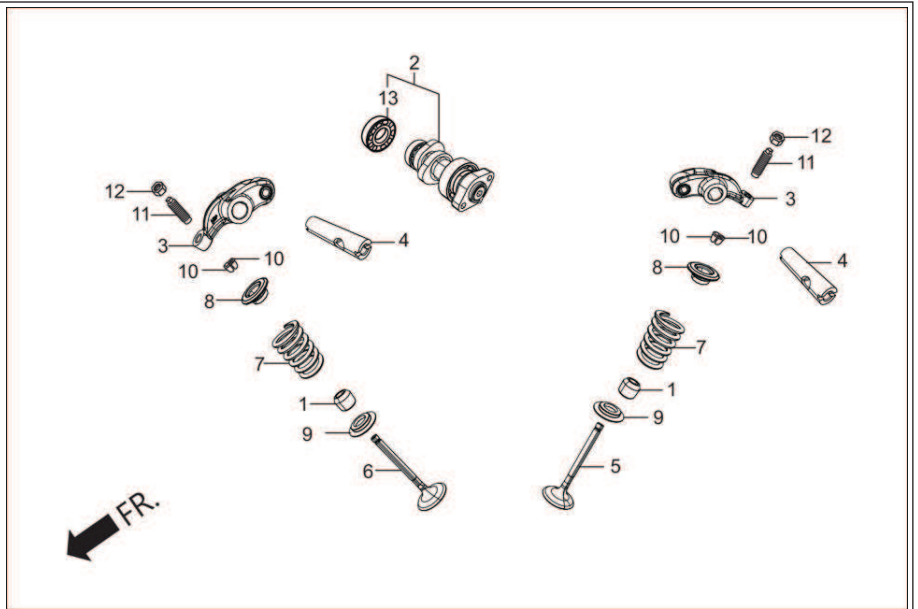
Service Item	F.R.T.	Group Number: E-1A Model :: Xpulse 200 (May,2019)		
Ref No.	Part Number	Description	Req.	
1	12196-AAB-A00	RUBBER INSERT CORNER	2	
2	12200-ABF-000	HEAD COMP CYLINDER	1	
3	95701-06016-00	BOLT, FLANGE, 6X16	1	
4	95801-06105-00	BOLT FLANGE 6 X 105	2	
5	12210-ABF-000	HOLDER COMP CAM SHAFT	1	
6	12212-ABF-000	PLATE STOPPER	1	
7	12251-ABF-000	GASKET CYLINDER HEAD	1	
8	31916-KRM-84099	SPARK PLUG	1	
9	90002-KRM-840	BOLT, FLANGE 5X14	2	
10	90040-KSP-910	BOLT STUD 8 X 22	2	
11	90306-ABF-000	NUT CYLINDER HEAD	4	
12	12214-AAB-A00	PLATE STIFFENER	1	
13	90704-KRM-840	DOWEL PIN 6 X10	2	
14	93600-05016-0G	SCREW FLAT 5X16	2	
15	94301-10120	DOWEL PIN, 10X12	2	
16	95701-06014-00	BOLT, FLANGE, 6 X 14	1	

E-1B
CYLN. & CYLN HEAD (CYLINDER)



Service Item	F.R.T.	Group Number: E-1B Model :: Xpulse 200 (May,2019)		
Ref No.	Part Number	Description	Req.	
1	12100-ABF-000	CYLINDER COMP	1	
2	12191-ABF-000	GASKET CYL	1	
3	12195-AAB-A00	RUBBER, INSERT FRONT	2	
4	94301-10120	DOWEL PIN, 10X12	2	

E-1C
CYLN. & CYLN HEAD (CAM SHAFT
VALVE)



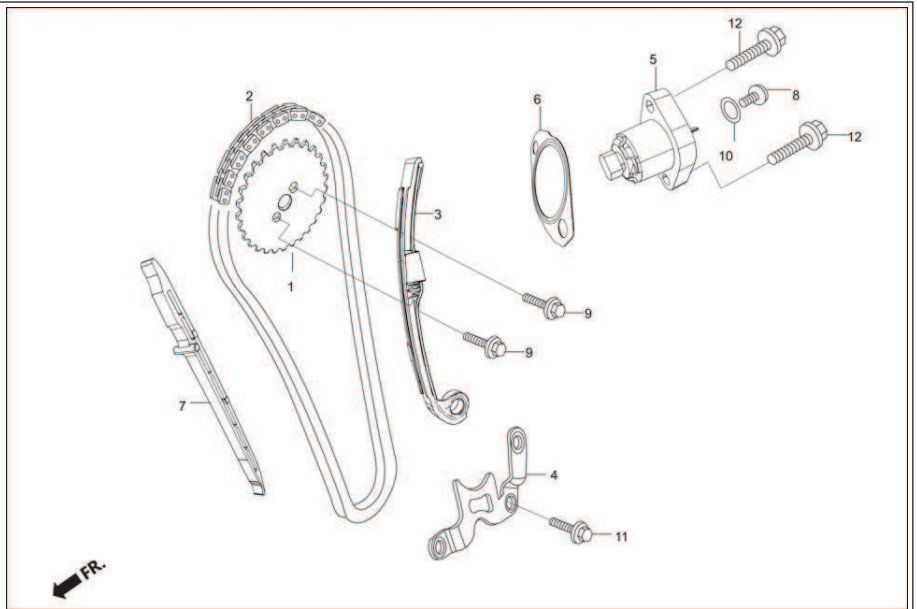
Service Item

F.R.T.

Group Number: E-1C Model :: Xpulse 200 (May,2019)

Ref No.	Part Number	Description	Req.
1	12209-GB4-685	SEAL, VALVE STEM	2
2	14100-ABF-000	SHAFT COMP CAM	1
3	14430-ABF-000	ARM COMP VALVE ROCKER	2
4	14451-ABF-000	SHAFT ROCKER ARM	2
5	14711-ABF-000	VALVE INLET	1
6	14721-ABF-000	VALVE EXHAUST	1
7	14751-ABF-000	SPRING VALVE	2
8	14771-ABF-000	RETAINER, VALVE SPRING	2
9	14775-ABF-000	SEAT, VALVE SPRING	2
10	14781-MA6-000	COTTER, VALVE	4
11	90012-KK3-830	SCREW, TAPPET ADJUSTING	2
12	90206-250-000	NUT, TAPPET ADJUSTING	2
13	91008-AAB-A01	BRG. BALL RADIAL 12X28X8	1

E-2
CAM SHAFT (CAM CHAIN TENSIONER)



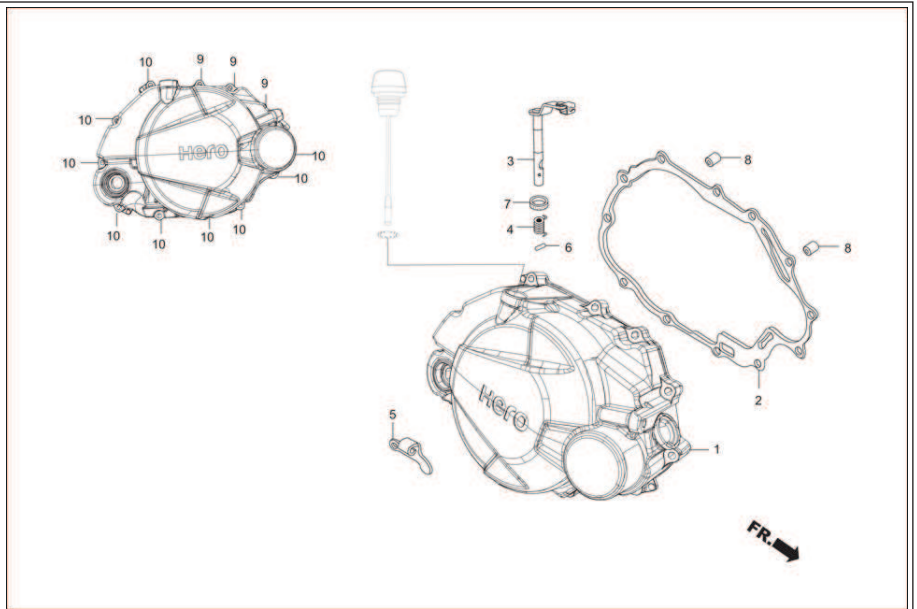
Service Item

F.R.T.

Group Number: E-2 Model :: Xpulse 200 (May,2019)

Ref No.	Part Number	Description	Req.
1	14321-AAB-A00	SPROCKET CAM	1
2	14401-AAB-A00	CHAIN CAM	1
3	14510-AAB-A00	TENSIONER ASSY CAM CHAIN	1
4	14515-KRM-840	PLATE, TENSIONER SET	1
5	14520-AAB-A0099	LIFTER ASSY TENSIONER	1
6	14560-KSP-910	GASKET, TENSIONER LIFTER	1
7	14610-AAB-A00	GUIDE CAM CHAIN	1
8	95701-06006-00	BOLT FLANGE 6X6	1
9	90083-KRM-840	BOLT, KNOCK, 5 MM	2
10	91306-MG3-000	'O'- RING, 1.5X9.5	1
11	95701-06016-00	BOLT, FLANGE, 6X16	1
12	96001-06022-00	BOLT, FLANGE, SH. 6 X 22	2

E-3
CRANK CASE & COVER (RIGHT CRANK
CASE COVER)



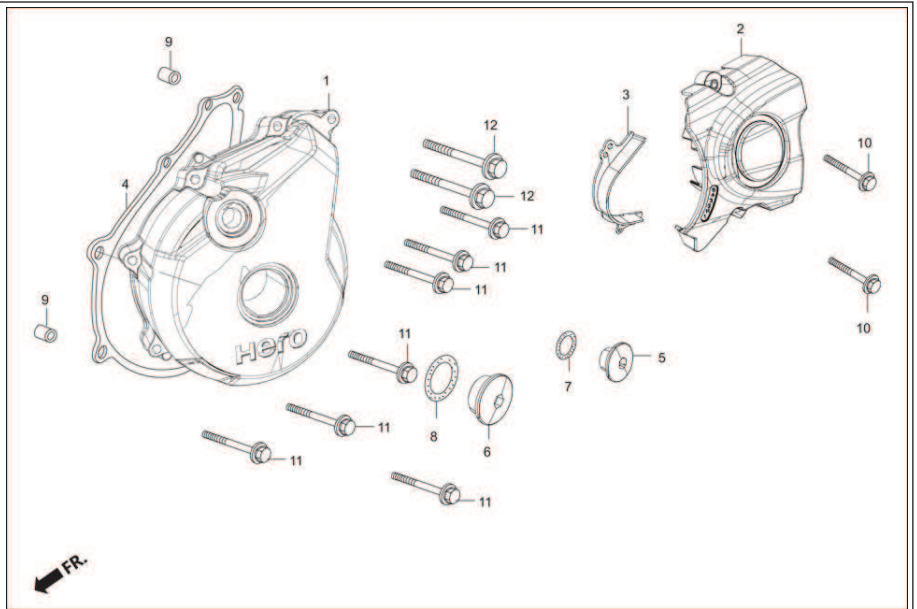
Service Item

F.R.T.

Group Number: E-3 Model :: Xpulse 200 (May,2019)

Ref No.	Part Number	Description	Req.
1	11330-AAB-A00	COVER COMP R CRANK CASE	1
2	11393-KWK-900	GASKET, RIGHT COVER	1
3	22810-KRM-B00	LEVER COMP CLUTCH	1
4	22815-428-000	SPRING, CLUTCH LEVER	1
5	22821-KRM-840	RECEIVER, CLUTCH CABLE	1
6	90701-KFN-850	PIN, SPRING, 3 X 10	1
7	91202-KSP-911	OIL SEAL, 12 X 18 X 4	1
8	94301-08140	DOWEL PIN, 8X14	2
9	96001-06030-00	BOLT, FLANGE, SH., 6 X 30	3
10	96001-06040-00	BOLT, FLANGE, SH. 6 X 40	9

E-3A
CRANK CASE & COVER (LEFT CRANK
CASE COVER)



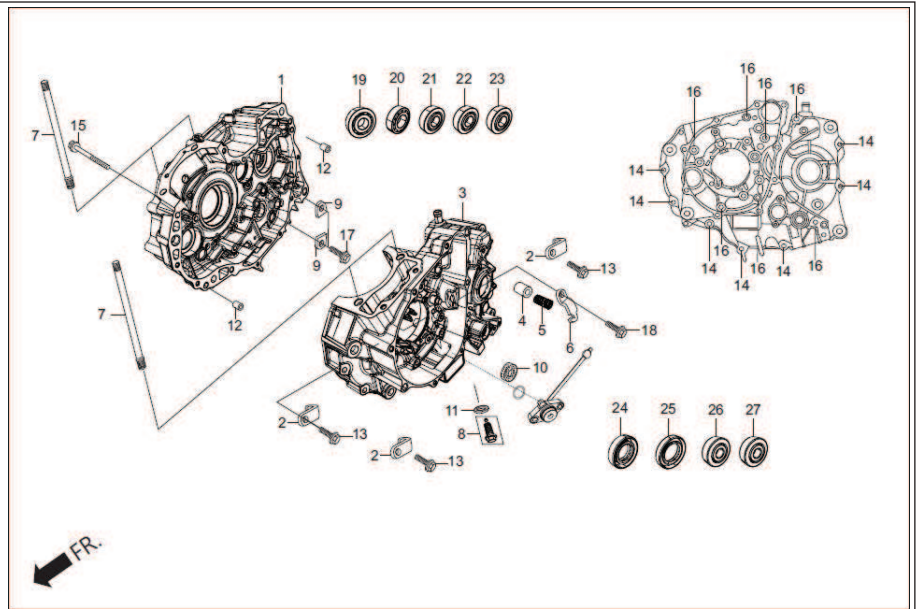
Service Item

F.R.T.

Group Number: E-3A Model :: Xpulse 200 (May,2019)

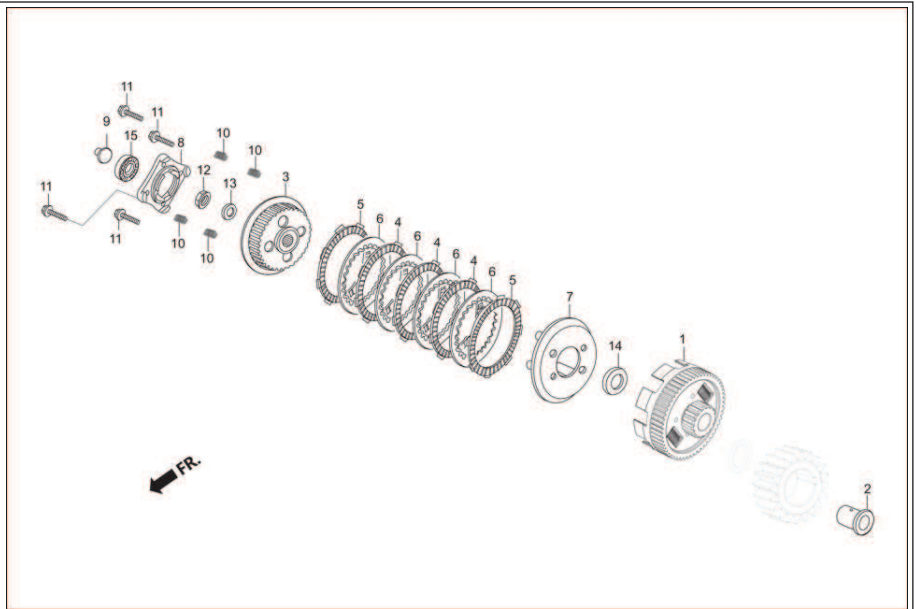
Ref No.	Part Number	Description	Req.
1	11341-AAB-A00	COVER LEFT CRANK CASE	1
2	11360-ABW-100	COVER COMP. L REAR	1
3	11365-ABW-100	GUIDE DRIVE CHAIN	1
4	11395-KWK-900	GASKET, L COVER	1
5	90084-KVE-930	CAP 14 MM	1
6	90087-KVE-900	CAP, 32 MM	1
7	91303-KRM-840	O-RING 13.8 X 2.5	1
8	91305-KRM-840	O-RING 31.7 X 2.4	1
9	94301-08140	DOWEL PIN, 8X14	2
10	96001-06030-00	BOLT, FLANGE, SH., 6 X 30	2
11	96001-06035-00	BOLT, FLANGE, SH. 6 X 35	7
12	96001-06045-00	BOLT, FLANGE, SH. 6 X 45	2

E-3B
CRANK CASE & COVER (CRANK CASE)



Service Item	F.R.T.	Group Number: E-3B Model :: Xpulse 200 (May,2019)		
Ref No.	Part Number	Description	Req.	
1	11100-ABF-000	CRANK CASE COMP RIGHT	1	
2	11108-KTN-900	PLATE L BRG SET	3	
3	11200-ABF-000	CRANK CASE COMP LEFT	1	
4	11215-KSP-910	PLUG BRG PUSH	1	
5	11216-AAB-A00	SPRING BRG PUSH	1	
6	11217-KRM-840	PLATE BRG PUSH	1	
7	90031-KSP-910	BOLT STUD CYLN 8 X 140	4	
8	90131-AAB-A00	BOLT PLUG DRAIN 12 MM	1	
9	90441-KRM-840	PLATE, BRG. HOLD	2	
10	91203-KSP-910	OIL SEAL, 14 X 22 X 5	1	
11	94109-12000	WASHER, PLUG, DRAIN	1	
12	94301-08140	DOWEL PIN, 8X14	2	
13	95701-06016-00	BOLT, FLANGE, 6X16	3	
14	95701-06040-00	BOLT FLANGE 6X40	7	
15	95701-06045-00	BOLT, FLANGE, SH. 6 X45	1	
16	95701-06070-00	BOLT, FLANGE, SH. 6 X70	7	
17	96001-06018-00	BOLT, FLANGE, 6 X 18	1	
18	95701-06014-00	BOLT, FLANGE, 6 X 14	1	
19	91001-GF6-000	BEARING, RADIAL BALL, 6304	1	
20	91001-KTN-900	BRG. ROLLER, 30 X 58 X 17	1	
21	91003-KSP-910	BRG. BALL RADIAL, 17 X 42 X 12	1	
22	91004-KTN-900	BRG. BALL RADIAL, 17 X 40 X 12	1	
23	91010-ABF-001	BRG BALL RADIAL 12X32X10	1	
24	91204-MC7-003	OIL SEAL, 16 X 28 X 7	1	
25	91216-KSP-910	OIL SEAL	1	
26	96100-62030-00	BEARING, RADIAL BALL, 6203	1	
27	96100-63010-00	BRG.BALL RADIAL 6301	1	

E-4 CLUTCH



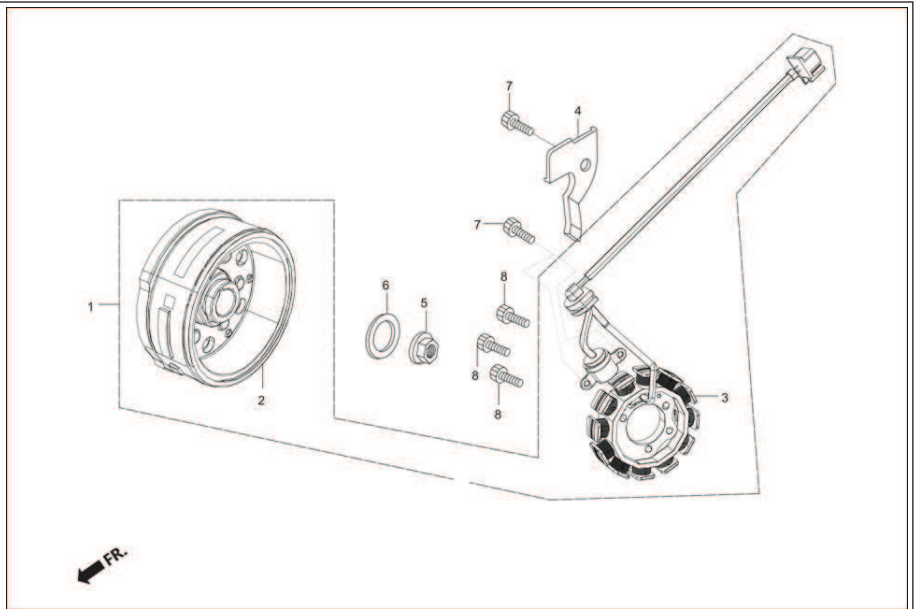
Service Item

F.R.T.

Group Number: E-4 Model :: Xpulse 200 (May,2019)

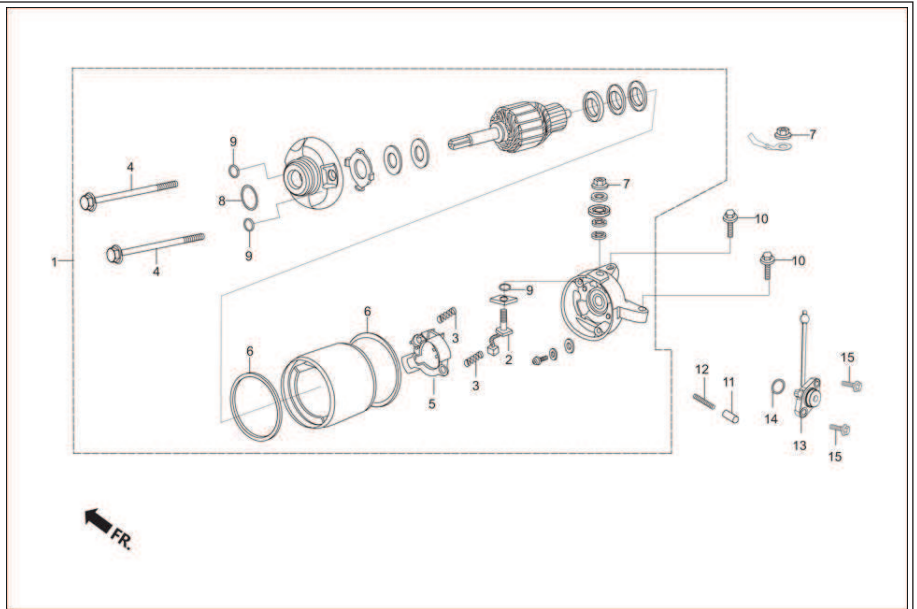
Ref No.	Part Number	Description	Req.
1	22100-KTN-900	OUTER COMP., CLUTCH	1
2	22115-KSP-910	GUIDE, CLUTCH OUTER	1
3	22120-KRM-840	CENTRE CLUTCH	1
4	22201-KPM-850	DISK,CLUTCH FRICTION,4 X 8 X 45	3
5	22201-MR8-000	DISC CLUTCH FRICTION	2
6	22321-KPS-900	PLATE, CLUTCH	4
7	22355-KRM-840	PLATE, CLUTCH PRESSURE	1
8	22361-KPK-900	PLATE,CLUTCH LIFTER	1
9	22366-KSP-910	ROD, CLUTCH LIFTER	1
10	22401-ABF-000	SPRING CLUTCH	4
11	90008-KRM-840	BOLT, FLANGE 6 X 25	4
12	90202-KRM-840	NUT SPL FLANGE 14MM	1
13	90401-KRM-840	WASHER PLAIN 17MM	1
14	90501-KPT-A00	WASHER 14.1X29X2.8	1
15	96100-60030-00	BEARING, RADIAL BALL, 6003	1

E-5
ELECTRICALS (AC GEN ASSY)



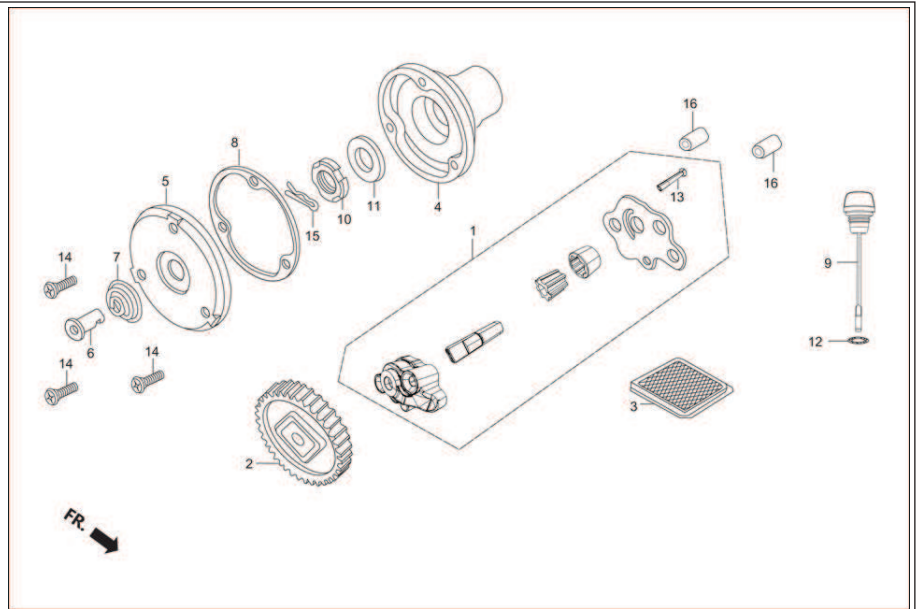
Service Item	F.R.T.	Group Number: E-5 Model :: Xpulse 200 (May,2019)		
Ref No.	Part Number	Description	Req.	
1	31100-ABW-001	AC GEN ASSY	1	
2	31110-AAM-011	FLYWHEEL COMP	1	
3	31120-ABW-001	STATOR COMP	1	
4	32111-KSP-910	CLAMPER, ACG CORD	1	
5	90201-KRM-840	NUT, FLANGE, 14 MM	1	
6	90501-KPT-A00	WASHER 14.1X29X2.8	1	
7	96600-06016-00	BOLT, SOCKET, 6 X 16	3	
8	96600-06022-00	SOCKET BOLT 6X22	3	

E-5A
ELECTRICALS (STARTER MOTOR)



Service Item	F.R.T.	Group Number: E-5A Model :: Xpulse 200 (May,2019)		
Ref No.	Part Number	Description	Req.	
1	31200-KSP-901	MOTOR ASSY., STARTER	1	
2	31201-KPT-A01	BRUSH, TERMINAL SET	1	
3	31204-KG8-004	BRUSH, SPRING	2	
4	31205-KTC-921	BOLT, SET	2	
5	31206-KPH-881	BRUSH, HOLDER SET	1	
6	31207-MBE-008	RING	2	
7	90071-MB0-000	NUT, WASHER, 6 MM	2	
8	91309-425-003	'O' RING 24.4X3.1	1	
9	91320-MB0-000	'O' RING	3	
10	95701-06022-00	BOLT, FLANGE, SH. 6 X 22	2	
11	35751-KPH-900	CAP, CONTACT CHANGE SW.	1	
12	35752-KRM-840	SPRING, CONN. CHANGE SW.	1	
13	35759-AAB-000	CONTACT ASSY NEUTRAL SW	1	
14	91305-KPH-900	O-RING,19.4 X 2.3	1	
15	95701-06020-00	BOLT, FLANGE, 6X20	2	

E-6
OIL PUMP ASSY.



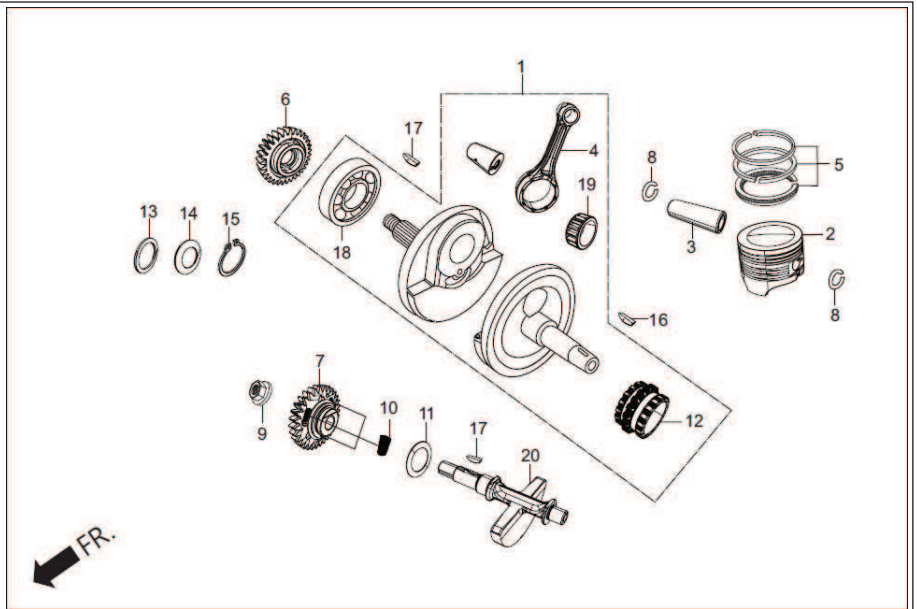
Service Item

F.R.T.

Group Number: E-6 Model :: Xpulse 200 (May,2019)

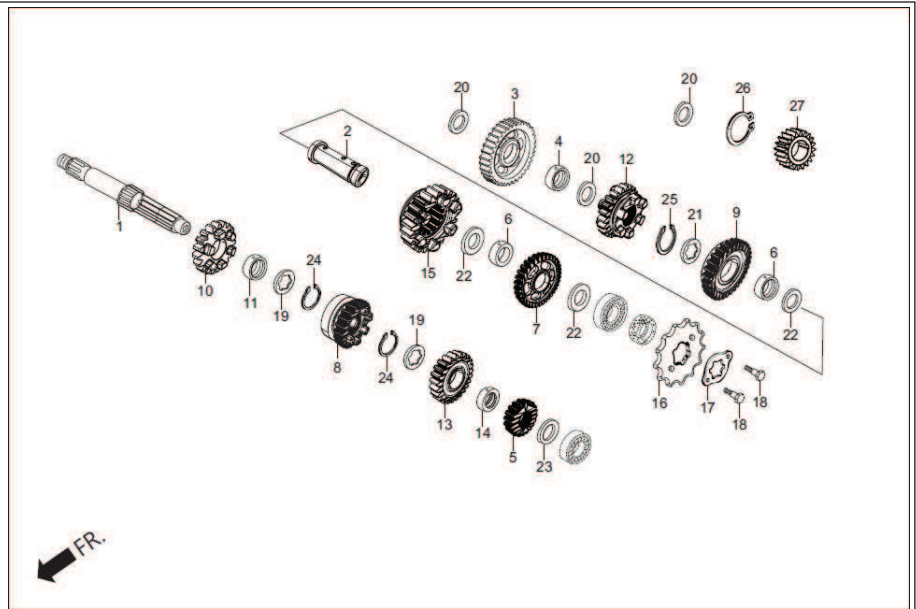
Ref No.	Part Number	Description	Req.
1	15100-ABF-000	OIL PUMP ASSEMBLY	1
2	15130-KRM-840	GEAR COMP., OIL PUMP	1
3	15421-KTN-900	SCREEN, OIL FILTER	1
4	15430-KSP-910	ROTOR, OIL FILTER	1
5	15436-KRM-840	CAP, OIL FILTER ROTOR	1
6	15441-KCS-650	OIL, THROUGH	1
7	15446-107-000	SPRING, OIL THROUGH	1
8	15459-AAB-A00	GASKET OIL FILTER CAP	1
9	15650-KVN-970	GAUGE,OIL LEVEL	1
10	90231-KM7-700	NUT, LOCK, 14 MM	1
11	90432-KPT-A00	WASHER, 14.2 X 26 X 3	1
12	91307-KRM-840	O-RING, 18 X 3	1
13	93600-06040-0G	SCREW FLAT 6X40	1
14	93700-05012-0A	SCREW, OVAL, 5X12	3
15	94251-08000	PIN LOCK, 8 MM	1
16	94301-08140	DOWEL PIN, 8X14	2

E-7
CRANK SHAFT (CRANK SHAFT / PISTON)



Service Item	F.R.T.	Group Number: E-7 Model :: Xpulse 200 (May,2019)		
Ref No.	Part Number	Description	Req.	
1	13000-ABF-000	CRANK SHAFT COMP	1	
2	13101-ABF-000	PISTON	1	
3	13111-ABF-000	PIN PISTON	1	
4	13201-ABF-000	ROD CONNECTING	1	
5	13011-ABF-001	RING SET PISTON STD	1	
6	13411-AAB-A00	GEAR BALANCER DRIVE	1	
7	13420-AAB-A00	GEAR ASSY BALANCER DRIVEN	1	
8	94601-15000	CLIP,PISTON PIN,15 MM	2	
9	94050-12000	NUT, FLANGE, 12 MM	1	
10	13427-AAB-A00	SPRING DAMPER	3	
11	13538-AAB-A00	SPRING THRUST	1	
12	14311-AAB-A00	SPROCKET TIMING	1	
13	90402-AAB-A00	WASHER 28.1X36.5X1.8	1	
14	90403-AAB-A00	WASHER 28.1X45.5X1.4	1	
15	90604-AAB-A00	CIRCLIP EXTERNAL 28	1	
16	90741-KGH-900	KEY, WOODRUFF, 4 MM	1	
17	90741-KFB-000	KEY,WOODRUFF,4 MM	2	
18	91002-KSP-911	BRG. BALL, RADIAL, 6207 SPL. L	1	
19	91101-ABF-000	CON ROD BRG RED	1	
	91102-ABF-000	CON ROD BRG BLUE	1	
	91103-ABF-000	CON ROD BRG WHITE	1	
20	13421-ABF-000	BALANCER SHAFT	1	

E-8 TRANSMISSION



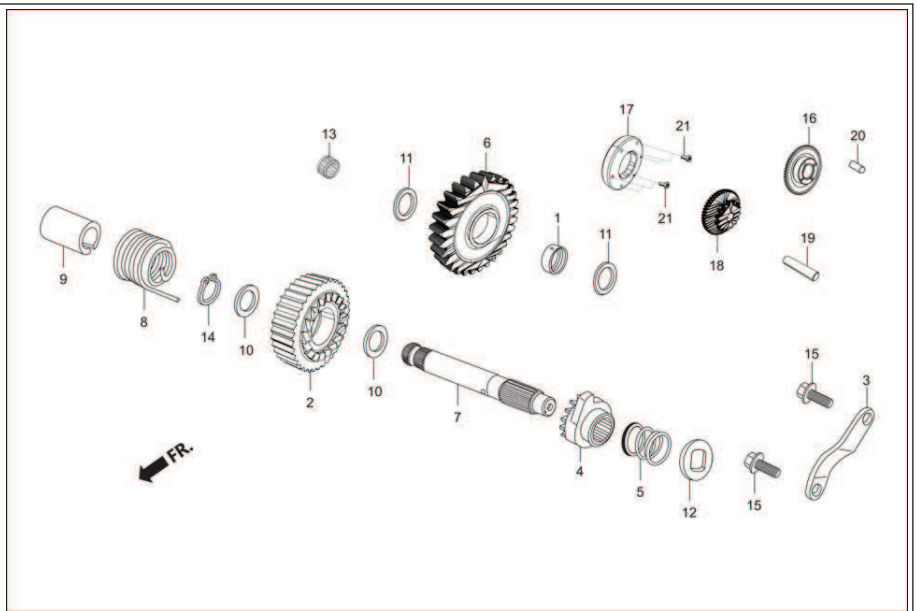
Service Item

F.R.T.

Group Number: E-8 Model :: Xpulse 200 (May,2019)

Ref No.	Part Number	Description	Req.
1	23210-KVN-900	SHAFT COMP., MAIN TRANS	1
2	23220-AAB-A00	SHAFT COMP COUNTER	1
3	23421-KVN-900	GEAR, C-1, (40 T)	1
4	23427-KRM-840	BUSH, 17 X 20.5 X 8	1
5	23431-AAB-A00	GEAR M-2 (19T)	1
6	23432-KRM-840	BUSH, 20 MM	2
7	23441-AAB-A00	GEAR C-2 (34T)	1
8	23451-AAB-A00	GEAR M-3(23 T)	1
9	23461-AAB-A00	GEAR C-3 (30T)	1
10	23471-AAB-A00	GEAR M-4 (20T)	1
11	23472-KSP-910	BUSH 17 MM	1
12	23481-AAB-A00	GEAR C-4 (22T)	1
13	23491-AAB-A00	GEAR M-5 (24T)	1
14	23492-KSP-910	COLLAR SPLINE 17X20X11	1
15	23501-AAB-A00	GEAR C-5 (23T)	1
16	23801-KRY-970	SPROCKET DRIVE 13T	1
17	23811-KR3-600	PLATE, A2 FIXING	1
18	90084-041-000	BOLT, DRIVE SPRKT, FIXING	2
19	90452-KRM-840	WASHER ,17 X 23 X1.6	2
20	90452-GB4-770	WASHER, THRUST, 17MM	3
21	90453-KRM-840	WASHER SPLINE 20 MM	1
22	90454-107-000	WASHER ,THRUST, 20MM	3
23	90456-KRM-840	WASHER, THURST, 12MM	1
24	90601-001-000	CIRCLIP 17MM	2
25	90605-200-000	SET RING, 20MM	1
26	90602-KRM-840	CIRCLIP, EXTERNAL, 17 MM	1
27	23121-KVE-860	GEAR PRIMARY DRIVE	1

E-9
KICK STARTER (SPINDLE KICK STARTER)



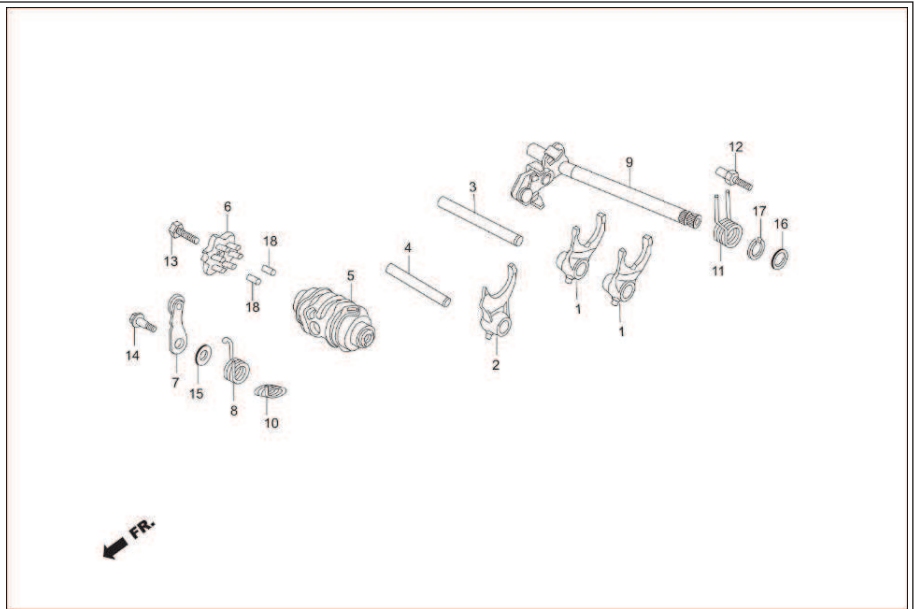
Service Item

F.R.T.

Group Number: E-9 Model :: Xpulse 200 (May,2019)

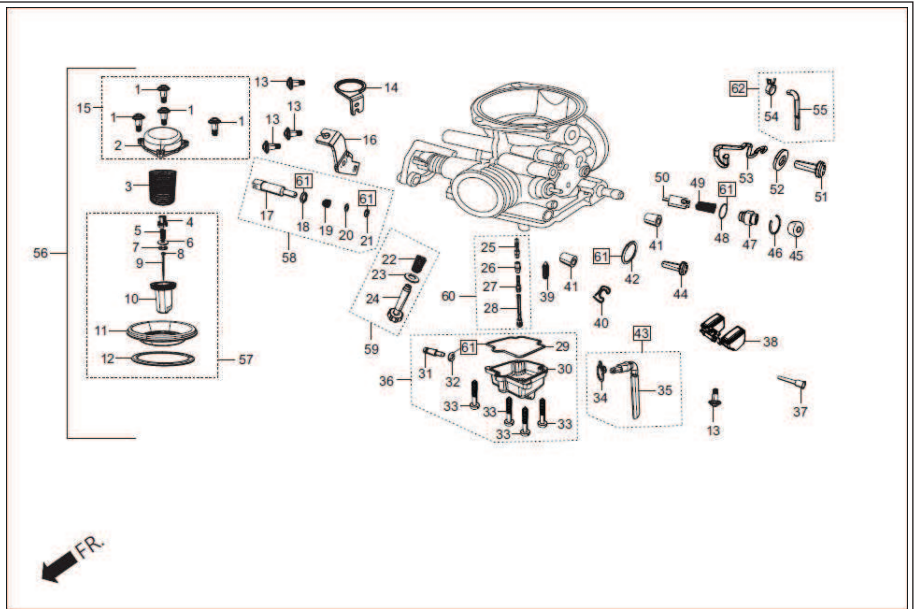
Ref No.	Part Number	Description	Req.
1	23427-KRM-840	BUSH, 17 X 20.5 X 8	1
2	28211-AAB-A00	PINION KICK STARTER	1
3	28215-KRM-840	PLATE, KICK STOPPER	1
4	28221-KTN-900	RATCHET, STARTER	1
5	28223-KRM-840	SPRING, RATCHET	1
6	28231-AAB-A00	GEAR KICK IDLE STARTER	1
7	28251-KTN-900	SPINDLE, KICK STARTER	1
8	28261-KRM-840	SPG., KICK RETURN	1
9	28282-KRM-840	COLLAR, KICK SPG.	1
10	90451-KRM-840	WASHER, THRUST, 16 MM	2
11	90452-GB4-770	WASHER, THRUST, 17MM	2
12	90455-KSP-910	WASHER, SPL., 14 MM	1
13	91022-KTN-900	BEARING NEEDLE, 22 X 29 X 16.8	1
14	94510-16000	CIRCLIP, EXTERNAL, 16 MM	1
15	95701-06016-00	BOLT, FLANGE, 6X16	2
16	28110-KTN-900	GEAR COMP., STARTER DRIVEN	1
17	28120-KTR-A00A	ASSY. ONEWAY CLUTCH	1
18	28131-KTN-900	GEAR STARTER REDUCTION	1
19	28132-KN6-930	SHAFT, REDUCTION GEAR	1
20	28133-KRM-850	COLLAR, STARTER REDUCTION	1
21	90085-KTC-920	BOLT, SOCKET, 6 X 14	6

E-10
GEAR SHIFT (DRUM GEAR SHIFT)



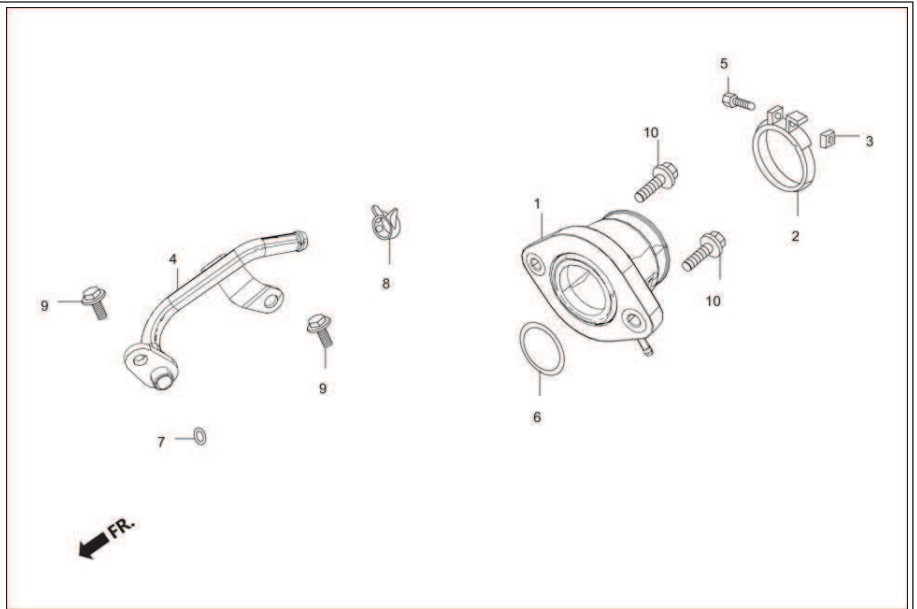
Service Item	F.R.T.	Group Number: E-10 Model :: Xpulse 200 (May,2019)		
Ref No.	Part Number	Description	Req.	
1	24211-KRM-840	FORK, R/L, GEAR SHIFT	2	
2	24212-KRM-840	FORK, CENTER, GEAR SHIFT	1	
3	24241-KRM-840	SHAFT, A GEAR SHIFT FORK	1	
4	24242-KRM-840	SHAFT, B GEAR SHIFT FORK	1	
5	24301-KSP-910	DRUM GEAR SHIFT	1	
6	24410-KSP-860	PLATE, COMP., SHIFT DRUM STOPPER	1	
7	24430-KTN-900	STOPPR COMP., GEAR SHIFT DRUM	1	
8	24436-KSP-910	SPRING, DRUM STOPPER	1	
9	24610-KSP-910	SPINDLE, COMP., GEAR SHIFT	1	
10	24627-KRM-840	SPRING GEAR SHIFTER RESET	1	
11	24651-KSP-910	SPRING, SHIFT RETURN	1	
12	24652-KSP-910	PIN, SHIFT, RETURN SPRING	1	
13	90003-KVS-900	BOLT HEX.6X20	1	
14	90022-MG8-000	PIVOT, SHIFT DRUM STOPR. ARM	1	
15	90417-KRM-840	WASHER DRUM STOPPER	1	
16	90457-KRM-840	WASHER, 14 MM	1	
17	94510-14000	CIRCLIP, EXTERNAL, 14 MM	1	
18	96220-30085	ROLLER, 3 X 8.5	2	

E-11
CARBURETTOR



Service Item	F.R.T.	Group Number: E-11 Model :: Xpulse 200 (May,2019)	
Ref No.	Part Number	Description	Req.
1	16023-AAB-A00	SCREW DH COVER	4
2	16012-ABW-000	DIAPHRAGM COVER	1
3	16018-AAB-A00	SPRING	1
4	16086-AAB-A00	HOLDER	1
5	16083-AAB-A00	SPRING	1
6	16087-AAB-A00	WASHER	1
7	16081-AAB-A00	E RING	1
8	16082-AAB-A00	RING	1
9	16084-ABW-000	JET NEEDLE (JN)	1
10	16022-AAB-A00	PISTON VALVE ASSEMBLY	1
11	16013-AAB-A00	DIAPHRAGM	1
12	16085-AAB-A00	RING	1
13	16021-AAB-A00	SCREW FLOAT	4
14	16054-AAB-A00	BRACKET	1
15	16006-ABW-000	TOP COVER ASSY KIT	1
16	16024-AAB-A00	BRACKET TH CABLE	1
17	16044-AAB-A00	ADJUSTER	1
18	16043-AAB-A00	O RING PS HEAD	1
19	16045-AAB-A00	SPRING	1
20	16046-AAB-A00	WASHER	1
21	16047-AAB-A00	O RING	1
22	16042-AAB-A00	SPRING IDLE ADJUSTER	1
23	16052-AAB-A00	PACKING IDLE ADJUSTER	1
24	16041-AAB-A00	ADJUSTER IDLE ADJUSTER	1
25	16048-AAB-A00	PILOT JET	1
26	16088-ABW-000	NEEDLE JET (NJ)	1
27	16165-AAB-A00	JET HOLDER	1
28	16020-ABW-100	MAIN JET (MJ)	1
29	16032-AAB-A00	O RING	1
30	16051-ABW-000	FLOAT BODY ASSEMBLY	1
31	16049-AAB-A00	DRAIN SCREW	1
32	16050-AAB-A00	O RING DRAIN	1
33	16033-AAW-001	SCREW ASSEMBLY (FCB)	4
34	16031-AAB-A00	CLIP DRAIN HOSE	1
35	16033-ABW-000	HOSE (DRAIN)	1
36	16005-ABW-000	FLOAT CHAMBER KIT	1
37	16011-AAB-A00	FLOAT PIN	1
38	16019-AAB-A00	FLOAT ASSEMBLY	1
39	16155-AAB-A00	NEEDLE ASSEMBLY	1
40	16029-AAB-A00	CLIP	1
41	16056-AAB-A00	DUST CAP FUEL INLET & PURGE NIPPLE	2
42	16071-AAB-A00	O RING TPS	1
43	16008-ABW-000	DRAIN & VENT HOSE KIT	1
44	16026-AAB-A00	SCREW TPS	1
45	16008-AAW-001	CAP	1
46	16029-AAW-001	CLIP	1
47	16023-AAW-001	GUIDE HOLDER	1
48	16072-AAW-001	ORING (GUIDE HOLDER)	1
49	16053-AAB-A00	SPRING GUIDE HOLDER	1
50	16024-AAW-001	PLUNGER ASSEMBLY	1
51	16059-AAB-A00	SCREW ASSEMBLY	1
52	16058-AAB-A00	WASHER	1
53	16057-AAB-A00	WIRE CLIP TPS WIRE HOLDING	1
54	16027-AAB-A00	CLIP AIR VENT HOSE	1
55	16028-ABW-000	HOSE (AIR VENT)	1
56	16100-ABW-100	CARBURETOR ASSY.	1
57	16001-ABW-000	DIAPHRAGM ASSY KIT	1
58	16002-AAB-A00	PILOT SCREW SET	1
59	16003-AAB-A00	IDLE ADJUSTER SET	1
60	16004-ABW-100	JET KIT	1
61	16007-AAB-A00	O RING AND GESKET SET	1

E-11A
EXHAUST (AIR FEED PIPE/ INLET PIPE)



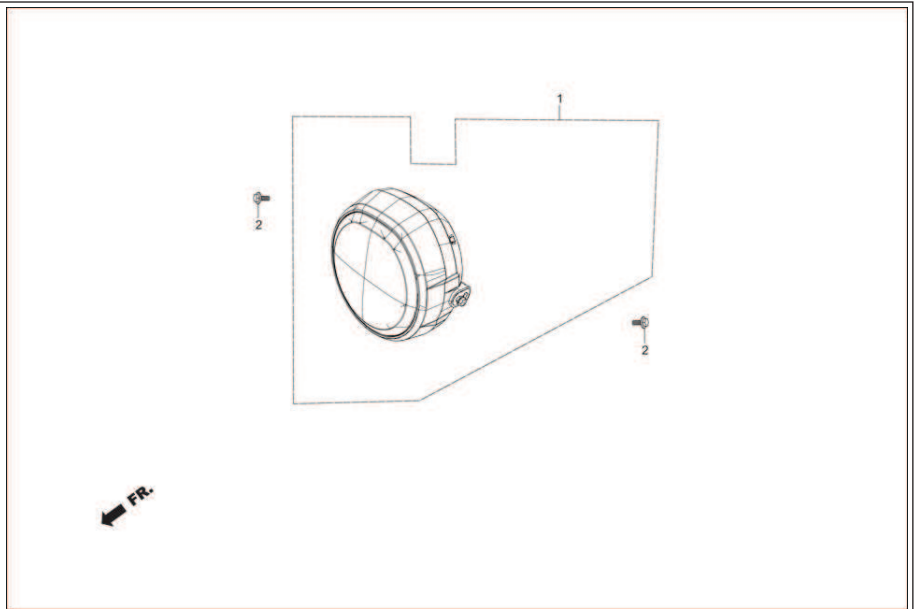
Service Item

F.R.T.

Group Number: E-11A Model :: Xpulse 200 (May,2019)

Ref No.	Part Number	Description	Req.
1	16200-AAB-A00	INSULATOR ASSY CARB	1
2	16217-KSP-910	BAND INSULATOR	1
3	16222-KSP-910	NUT, SQUARE, 5 MM	1
4	18640-ABW-000	PIPE COMP. AIR FEED	1
5	90006-MEE-000	BOLT RECESSED 5 X 30	1
6	91304-KRM-840	O-RING 33.5 X 3.0	1
7	91309-MJ0-003	O-RING, 9.8 X 2.8	1
8	95002-40800-08	CLAMP D 8.0 TUBE	1
9	95701-06016-00	BOLT, FLANGE, 6X16	2
10	96001-06022-00	BOLT, FLANGE, SH. 6 X 22	2

F-1
HEAD LIGHT



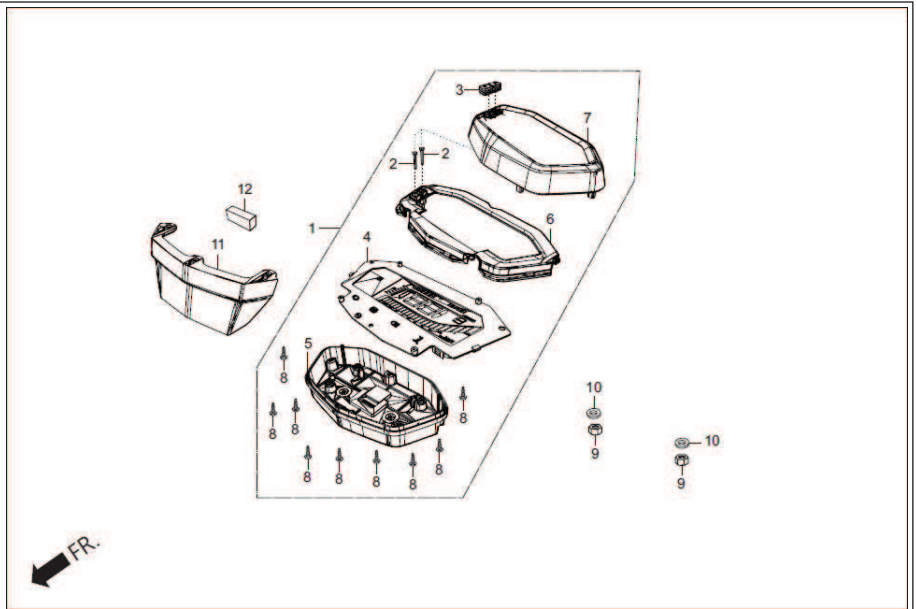
Service Item	F.R.T.	Group Number: F-1 Model :: Xpulse 200 (May,2019)		
Ref No.	Part Number	Description	Req.	
1	3310B-ABW-001	LIGHT ASSY HEAD	1	
2	96001-06014-00	BOLT, FLANGE, SH. 6 X 14	2	

F-1A
FAIRING (FR. VISOR/COWL/STAY)



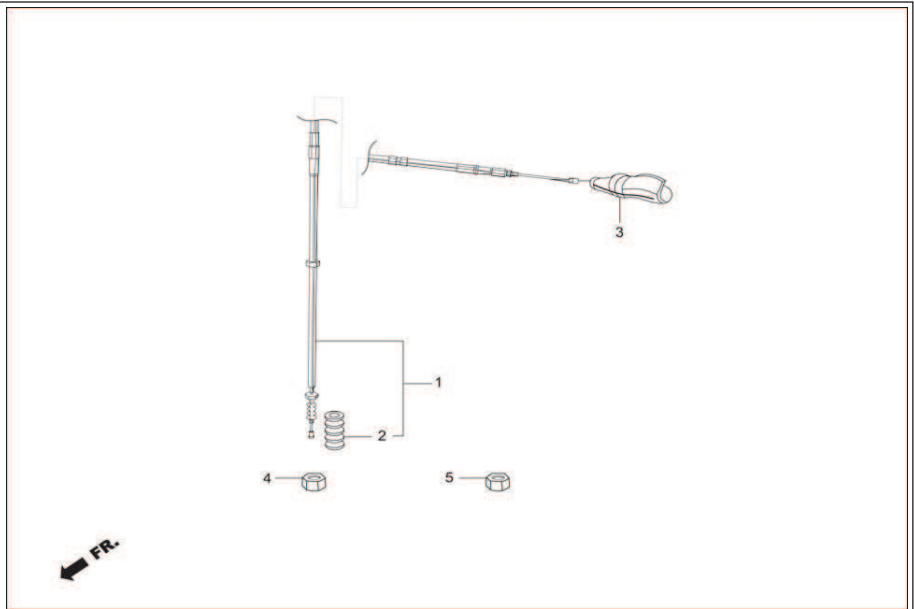
Service Item	F.R.T.	Group Number: F-1A Model :: Xpulse 200 (May,2019)		
Ref No.	Part Number	Description	Req.	
1	61312-ABW-000	STAY METER MTG.	1	
2	61313-ABW-100	BRACKET HEADLIGHT R	1	
3	61314-ABW-100	BRACKET HEADLIGHT L	1	
4	64140-ABW-100	SCREEN WIND	1	
5	64141-ABW-000	STAY SCREEN WIND R COMP	1	
6	64142-ABW-000	STAY SCREEN WIND L COMP	1	
7	64315-ABW-100	STAY FR NO PLATE COMP	1	
8	77209-KAG-900	RUBBER, SEAT STAY MOUNT	2	
9	83402-ABW-000	PANEL INNER	1	
10	93500-05010-1A	SCREW, PAN, 5X10	4	
11	96001-06010-00	BOLT FLANGE SH. 6×10	2	
12	96001-06010-00	BOLT FLANGE SH. 6×10	2	
13	96001-06016-00	BOLT, FLANGE SH. 6 X 16	2	
14	96001-06020-00	BOLT, FLANGE, SH. 6 X 20	4	
15	90111-KW3-000	NUT COWL SET M5X0.8	2	
16	90504-964-000	WASHER, THRUST, 5MM	2	
17	90109-SB6-000	SCREW, TRUSS, 5X14	2	
18	91509-GE2-760	SCREW, WASHER, 5 X 11.5	4	
19	94001-06000-0S	NUT, HEX., 6 MM	2	
20	90504-KWA-940	WASHER SCREEN	4	
21	91410-ABW-000	CLIP 3X130	1	

F-2
SPEEDOMETER / CABLE



Service Item	F.R.T.	Group Number: F-2 Model :: Xpulse 200 (May,2019)		
Ref No.	Part Number	Description	Req.	
1	37100-ABW-101	METER ASSY COMB	1	
2	37202-ABW-001	KEY TOP	2	
3	37203-ABW-001	SW RUBBER	1	
4	37210-ABW-101	SPEEDOMETER COMP	1	
5	37610-ABW-001	LOWER CASE ASSY	1	
6	37611-ABW-001	REFLECTOR ASSY	1	
7	37612-ABW-001	UPPER CASE ASSY	1	
8	93903-22480	SCREW TAPPING 3 X 16	9	
9	94001-06070-0S	NUT, HEX., 6 MM	2	
10	94103-06700	WASHER, PLAIN, 6 MM	2	
11	37101-ABW-001	COVER METER ASSY COMB	1	
12	37620-ABW-001	CUSHION SPEEDOMETER	1	

F-3
HANDLE LEVER / SWITCH/ CABLES



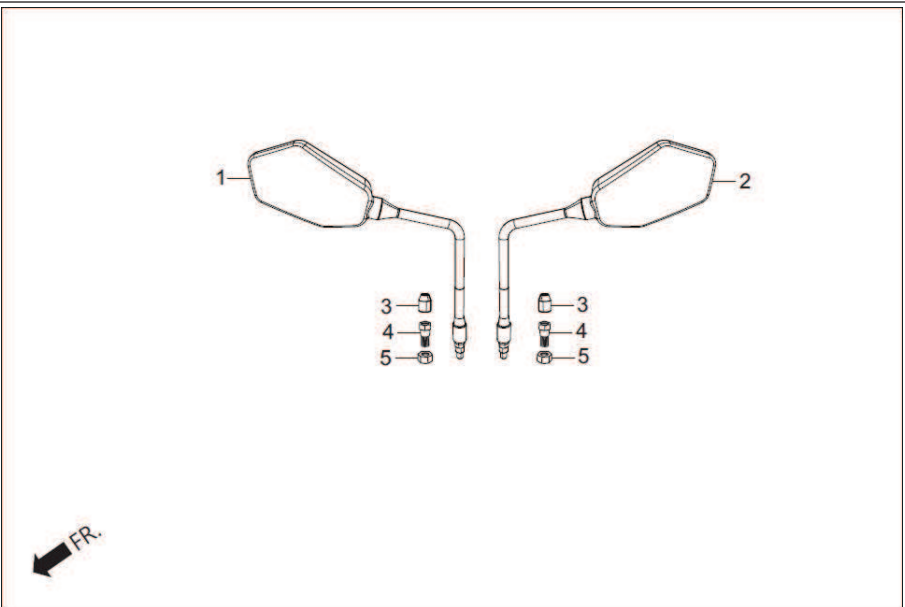
Service Item

F.R.T.

Group Number: F-3 Model :: Xpulse 200 (May,2019)

Ref No.	Part Number	Description	Req.
1	22870-ABW-100	CABLE COMP CLUTCH	1
2	22871-KTN-700	BOOT, CLUTCH CABLE	1
3	53182-KFN-850	BOOT, 'L' HANDLE LEVER	1
4	94002-08000-0S	NUT HEX.8 MM	1
5	94030-08000	NUT, HEX., 8 MM	1

F-3A
MIRROR ASSY.



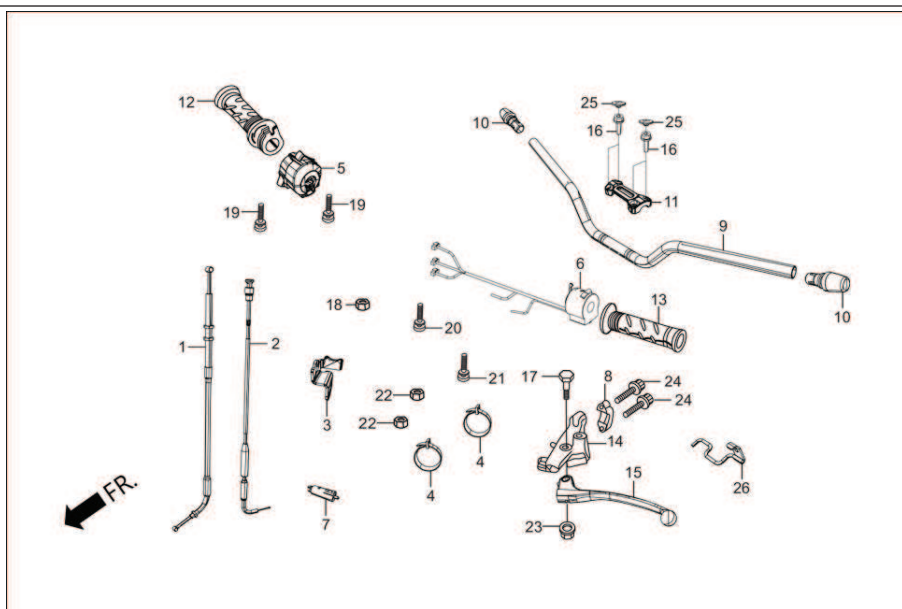
Service Item

F.R.T.

Group Number: F-3A Model :: Xpulse 200 (May,2019)

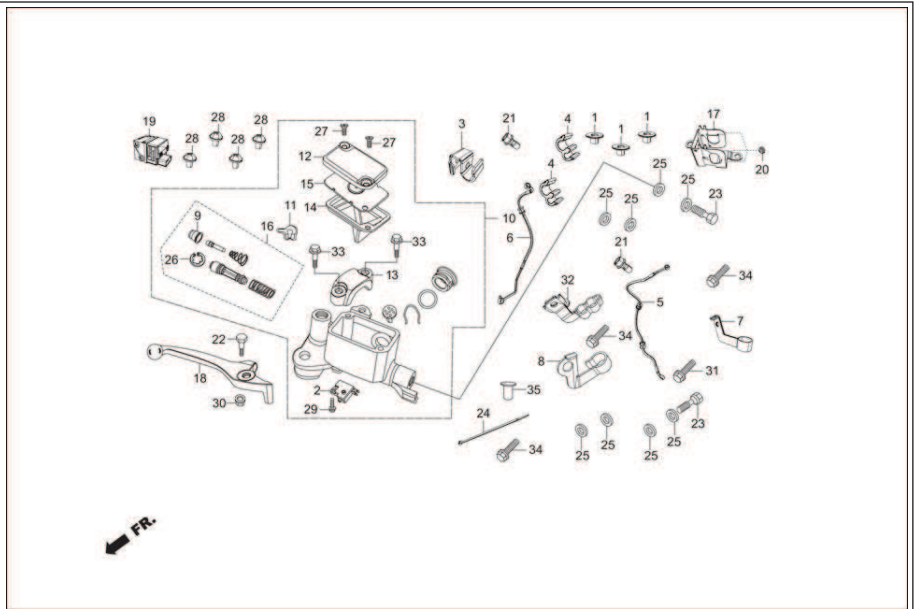
Ref No.	Part Number	Description	Req.
1	88110-AAB-100R	MIRROR ASSY L BACK (MAT AXIS GRAY ME.)	1
2	88120-AAB-100R	MIRROR ASSY R BACK (MAT AXIS GRAY ME.)	1
3	88114-198-D10	CAP, LOCK NUT	2
4	90003-MY5-720	BOLT,ADPT.10MM	2
5	90201-MW3-620	NUT, HEX., 10MM	2

F-3B
HANDLE & HNDL COVER (HANDLE
LEVER/SWITCH/CABLES)



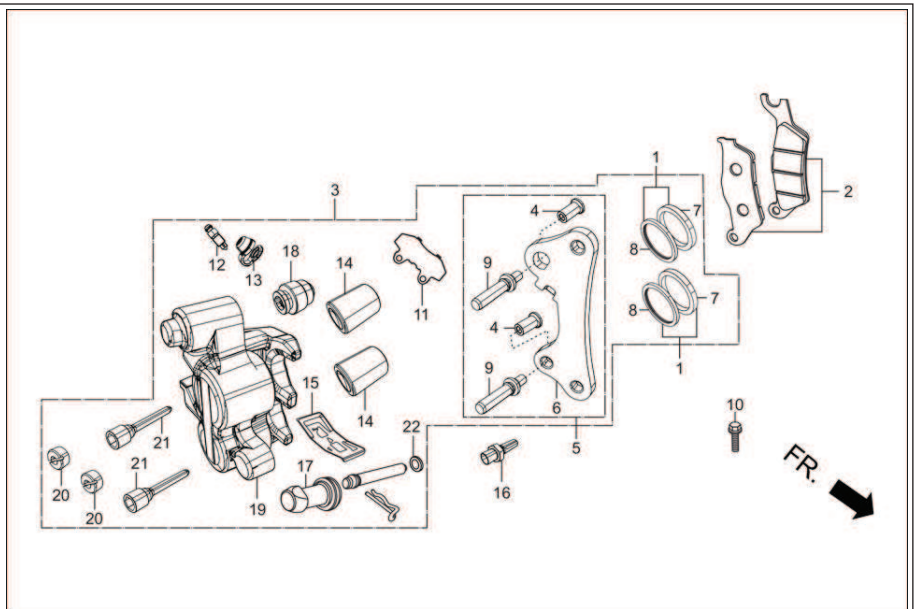
Service Item	F.R.T.	Group Number: F-3B Model :: Xpulse 200 (May,2019)			
Ref No.	Part Number	Description	Req.		
1	17910-ABW-000	CABLE COMP. THROT	1		
2	17950-ABW-000	CABLE COMP. CHOKE	1		
3	17951-AAB-A00	STAY CHOKE LEVER	1		
4	32161-404-000	BAND B-1, WIRE	2		
5	35150-AAB-A01	SW ASSY ENG ST AND START	1		
6	35200-ABW-001	SW. ASSY. WINKER	1		
7	35330-413-003	SW. COMP., FR. LEVER	1		
8	45517-166-000	HOLDER, MASTER CYLINDER	1		
9	53100-ABW-100	PIPE STRG HANDLE	1		
10	53105-KRC-900	END STRG. HANDLE	2		
11	53131-ABW-000	HOLDER HANDLE UP	1		
12	53140-KVE-860	GRIP COMP THROT	1		
13	53166-KVE-860	GRIP L HANDLE	1		
14	53172-KRC-900	BRACKET, HANDLE LEVER	1		
15	53178-KFN-850	LEVER COMP., 'L' HANDLE	1		
16	90102-KVN-900	BOLT, SP. FLANGE SOCKET 6 X 22	4		
17	90113-438-000	BOLT, HANDLE LEVER PIVOT	1		
18	94002-10070-0S	NUT, HEX., 10MM	1		
19	93892-05020-07	SCREW, WASHER, 5X20	2		
20	93892-05025-07	SCREW, WASHER, 5X25	1		
21	93892-05045-07	SCREW, WASHER, 5X45	1		
22	94002-06000-0S	NUT, HEX 6MM	2		
23	94050-06000	NUT, FLANGE, 6 MM	1		
24	96001-06022-07	BOLT, FLANGE, SH.6X22	2		
25	91455-MG8-000	CAP, SOC BOLT 6 MM	4		
26	50158-ABW-000	GUIDE, THROTTLE CABLE	1		

F-4A
FRONT BRAKE (MASTER CYLINDER) (ABS)



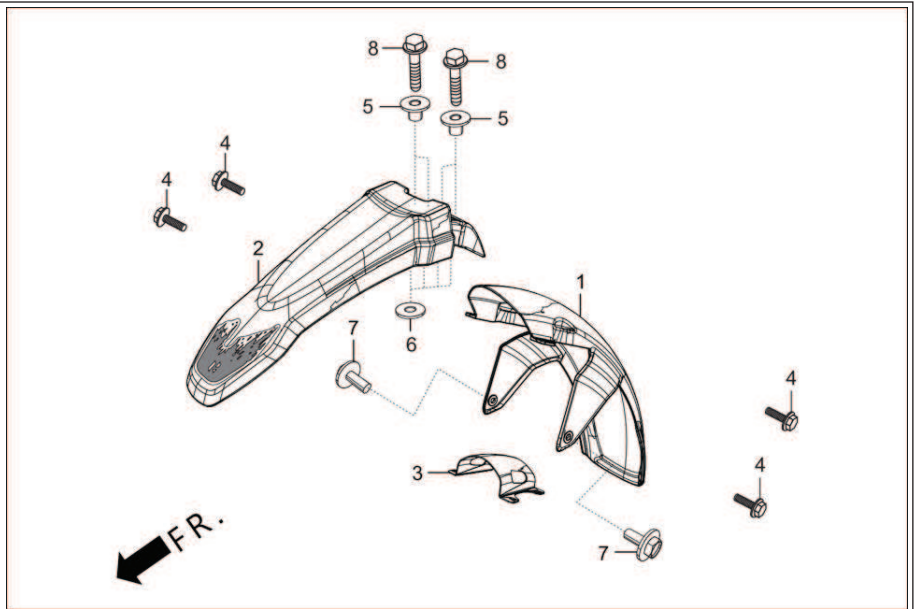
Service Item	F.R.T.	Group Number: F-4A Model :: Xpulse 200 (May,2019)		
Ref No.	Part Number	Description	Req.	
1	19052-AAB-A00	COLLAR ABS UNIT MOUNTING	3	
2	35340-MA5-670L	SW. ASSY. FR. STOP	1	
3	38521-ABW-100	CLAMPER SENSOR FR WHEEL SPEED	1	
4	43301-AAB-A00	CLIP BRAKE LINE	2	
5	45126-ABW-100	HOSE COMP FR BRAKE	1	
6	45128-ABW-000	BRK HOSE ASSY. HECU TO M/C	1	
7	45154-ABW-000	CLAMPER A FR. BRAKE	1	
8	45156-ABW-100	CLAMPER B FR.BRAKE	1	
9	45504-410-003L	BOOT COMP.	1	
10	45510-KRY-972	M/C SUB ASSY., FRONT BRAKE	1	
11	45512-MA6-006	PROTECTOR	1	
12	45513-HA2-006L	CAP M/C	1	
13	45517-166-000	HOLDER, MASTER CYLINDER	1	
14	45520-GE2-006	DIAPHRAGM	1	
15	45521-K21-901	PLATE, DIAPHRAGM	1	
16	45530-471-831L	CYLINDER SET MASTER	1	
17	50207-ABW-100	MT UPPER BRACKET ABS CONTROL UNIT	1	
18	53175-KFN-850L	LEVER, RIGHT STRG. HANDLE	1	
19	57111-ABW-100	HECU MINI MAB SPD	1	
20	83545-AAB-A00	RUBBER ABS UNIT MOUNTING	3	
21	90042-AAB-A00	BANJO BOLT M10X1	2	
22	90114-166-000L	BOLT HANDLE LEVER	1	
23	90145-MS9-610	OIL BOLT, 10 X 22	2	
24	90652-AAW-300	CABLE TIE	4	
25	90545-300-000	WASHER ,OIL BOLT	8	
26	90651-MA5-671L	CIRCLIP	1	
27	93600-04012-1GL	SCREW FLAT 4X12	2	
28	93891-05008-00	SCREW WASH 5X8	4	
29	93893-04012-17L	SCREW WASHER 4X12	1	
30	94050-06000	NUT, FLANGE, 6 MM	1	
31	95701-06012-07	BOLT, FLANGE, 6X12	2	
32	45157-ABW-100	CLAMPER C FR. BRAKE	1	
33	96001-06022-07	BOLT, FLANGE, SH.6X22	2	
34	95701-06018-00	BOLT FLANGE 6X18	3	
35	53174-116-670	PLUG HANDLE LEVER	1	

F-4B
FRONT BRAKE (CALIPER ASSY 'R' FR.)



Service Item	F.R.T.	Group Number: F-4B Model :: Xpulse 200 (May,2019)		
Ref No.	Part Number	Description	Req.	
1	06451-GE2-405L	SEAL SET PISTON	2	
2	06455-GCR-016L	PAD SET FRONT	1	
3	45250-KRY-901	CALIPER SUB ASSY., 'R' FR	1	
4	45216-KW6-901L	TORQUE NUT	2	
5	45290-KGB-611L	BRKT.SUB ASSY.R FR.CALIPER	1	
6	45210-KR3-871L	BRACKET RIGHT	1	
7	45209-GE2-006L	SEAL PISTON	2	
8	45109-GE2-006L	DUST SEAL	2	
9	45131-GE2-006L	PIN BOLT A	2	
10	95701-06020-07	BOLT, FLANGE, 6 X 20	1	
11	43114-KW6-842L	SHIM B	1	
12	43352-568-003L	SCREW BLEEDER	1	
13	43353-461-771L	CAP BLEEDER	1	
14	45107-MN5-006L	PISTON	2	
15	45108-ML4-006L	PAD SPRING	1	
16	45131-GZ0-006L	PIN BOLT	1	
17	45132-166-016L	BUSH BOOT PIN	1	
18	45133-MA3-006L	BOOT B	1	
19	45201-GT4-691L	BODY CALIPER FR.	1	
20	45203-MG3-016L	PLUG PIN	2	
21	45215-KA3-732L	PIN HANGER	2	
22	45216-166-006L	WASHER WAVE	1	

F-5
FRONT FENDER



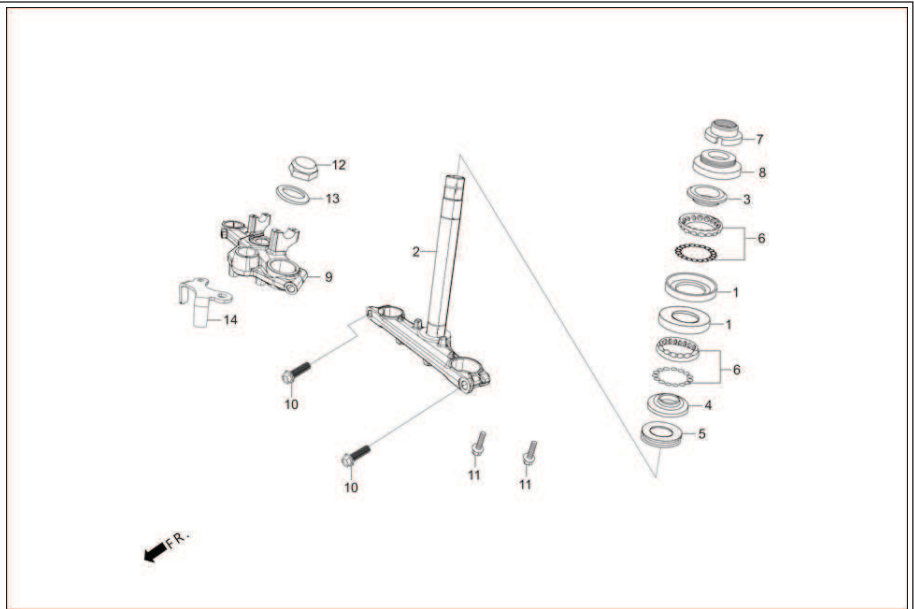
Service Item

F.R.T.

Group Number: F-5 Model :: Xpulse 200 (May,2019)

Ref No.	Part Number	Description	Req.
1	61100-ABW-100	FR FENDER A	1
2	61000-ABW-100R	SET FENDER B FRONT (BLACK NH-1)	1
	61000-ABW-100S	SET FENDER B FRONT (SPORTS RED)	1
	61000-ABW-300T	SET FENDER B FRONT (PFW, NH-341P)	1
3	61102-ABW-100	STAY FRONT FENDER	1
4	90111-187-000	BOLT, FLANGE. 6 MM	4
5	90502-KVE-900	COLLAR RUBBER CUSHION	4
6	90525-030-000	WASHER, PLAIN	4
7	93404-06016-07	BOLT-WASHER, 6 X 16	2
8	95701-06022-00	BOLT, FLANGE, SH. 6 X 22	4

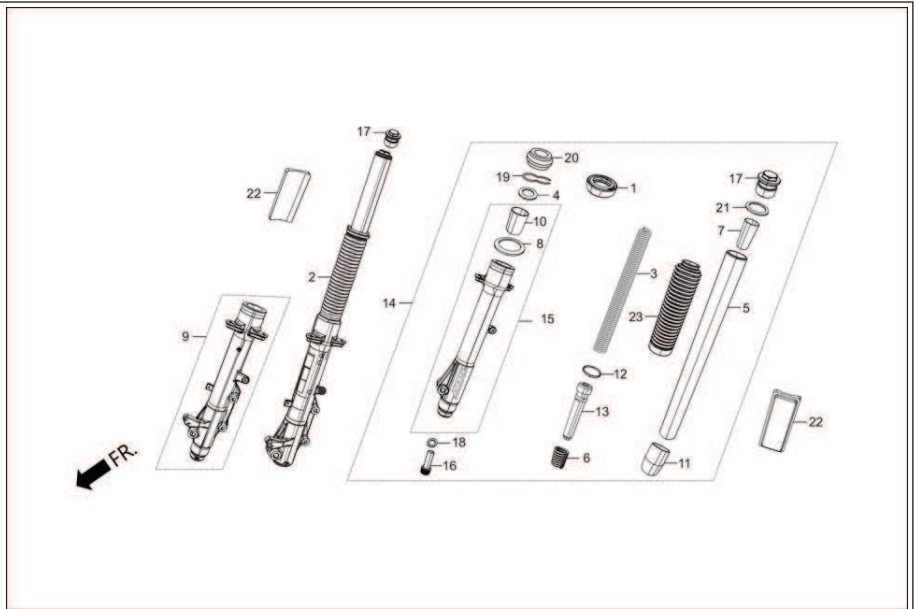
F-6
FRONT CUSHION (STEERING STEM)



Service Item	F.R.T.
--------------	--------

Group Number: F-6 Model :: Xpulse 200 (May,2019)			
Ref No.	Part Number	Description	Req.
1	50301-KTR-900	RACE, STEERING BALL	2
2	53200-ABW-000	STEM COMP. STEERING	1
3	53211-268-010	RACE, STEERING TOP CONE	1
4	53212-200-000	RACE, STEERING BOTTOM CONE	1
5	53214-200-000	DUST SEAL, STEERING HEAD	1
6	53215-KTR-900	BALL, ASSY. STEERING	2
7	53220-KRY-970	THREAD COMP STRG TOP.	1
8	53222-KTR-900	MUD GUARD, STEERING HEAD TOP	1
9	53230-ABW-000	BRIDGE FORK TOP	1
10	95801-10040-07	BOLT FLANGE, 10 X 40	2
11	95801-10050-00	BOLT FLANGE 10X50	2
12	90304-KSP-900	NUT, STEERING STEM	1
13	90503-KTR-900	WASHER, STEERING STEM	1
14	35106-KTC-900	COVER, COMB. SWITCH	1

F-6A
FRONT CUSHION



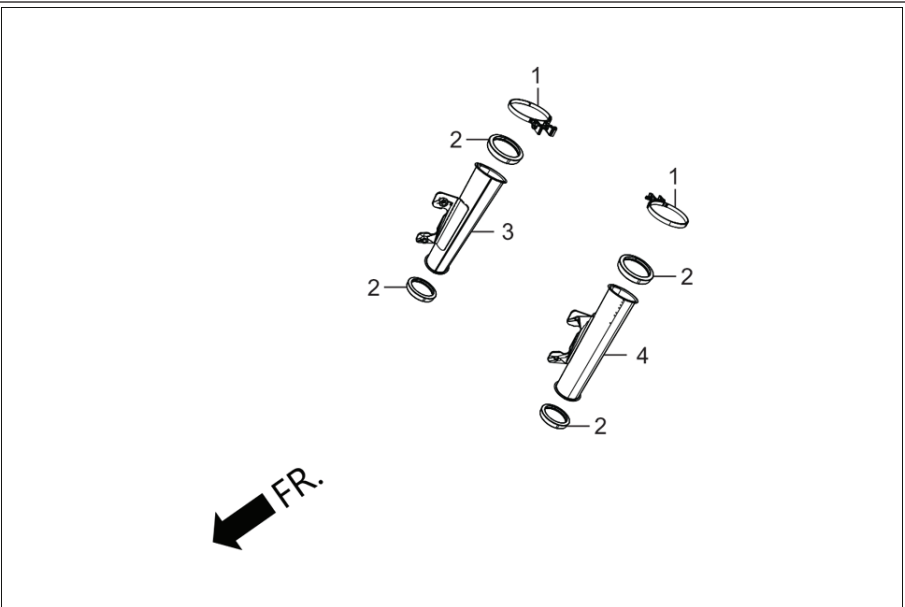
Service Item

F.R.T.

Group Number: F-6A Model :: Xpulse 200 (May,2019)

Ref No.	Part Number	Description	Req.
1	91255-AAB-A02	SEAL OIL	2
2	51400-ABW-101	FORK ASSY R FRONT	1
3	51401-ABW-101	SPRING. FR FORK	2
4	51403-ABW-101	JOINT SPRING	2
5	51410-ABW-101	PIPE COMP. FR FORK	2
6	51412-ABW-101	SPRING, REBOUND	2
7	51413-ABW-101	SPACER TUBE/COLLAR SPRING	2
8	51419-AAB-A02	RING BACKUP (PLAIN WASHER)	2
9	51420-ABW-101	CASE COMP. R FR BOTTOM	1
10	51423-AAB-A02	SLIDE BUSH	2
11	51432-ABW-001	PIECE. OIL LOCK	2
12	51437-ABW-101	RING, PISTON	2
13	51440-ABW-101	PIPE SEAT	2
14	51500-ABW-101	FORK ASSY L FRONT	1
15	51520-ABW-101	CASE COMP. L FR BOTTOM	1
16	90116-AAB-A02	BOLT SOCKET	2
17	90123-AAB-A02	BOLT FR FORK	2
18	90544-AAB-A02	WASHER SPECIAL	2
19	90601-AAB-A02	RING OIL SEAL STOP	2
20	91254-AAB-A02	SEAL DUST	2
21	91356-AAB-A02	O RING	2
22	33741-AAS-001	REFLECTOR FRONT AMBER	2
23	51615-ABW-101	BOOT FR. FORK	2

F-6B
FRONT CUSHION (COVER)



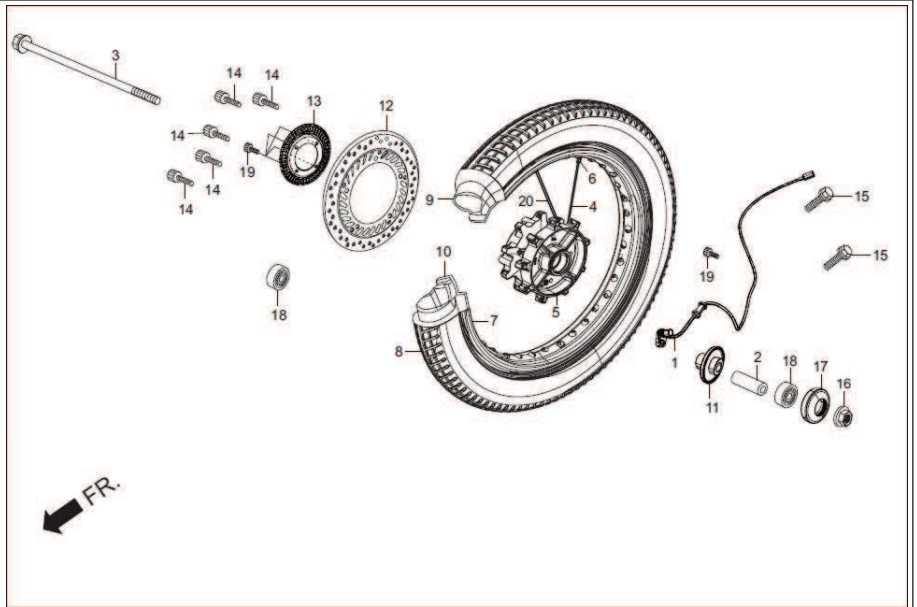
Service Item

F.R.T.

Group Number: F-6B Model :: Xpulse 200 (May,2019)

Ref No.	Part Number	Description	Req.
1	51617-ABW-101	BOOT CLAMP	2
2	51601-ABW-000	MOUNT RUBBER FORK COVER UP	4
3	51602-ABW-100	COVER COMP R FR FORK COVER	1
4	51606-ABW-100	COVER COMPL L FR FORK COVER	1

F-7
FRONT WHEEL



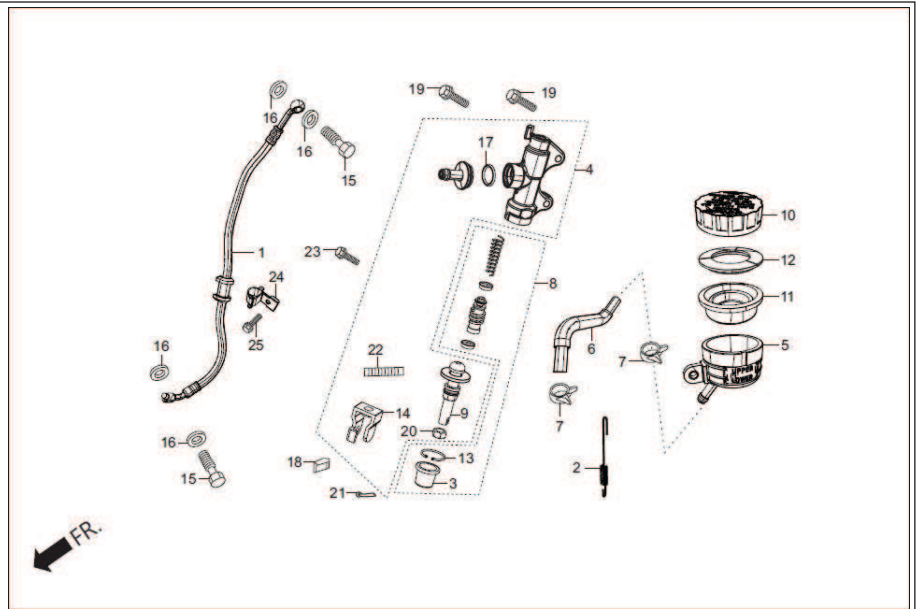
Service Item

F.R.T.

Group Number: F-7 Model :: Xpulse 200 (May,2019)

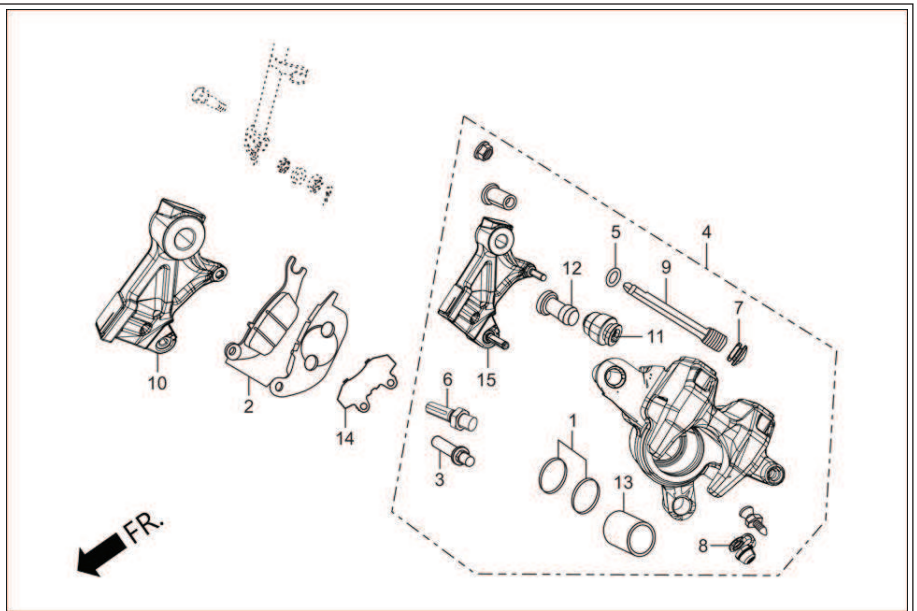
Ref No.	Part Number	Description	Req.
1	38520-ABW-100	SENSOR FRONT WHEEL SPEED	1
2	42620-KTR-700	COLLAR, REAR AXLE DISTANCE	1
3	44301-AAB-A00	AXLE FR WHEEL	1
4	97550-ABW-100	SPOKE FRONT A	18
5	44601-ABW-100	HUB FRONT WHEEL	1
6	44603-ABW-100	NIPPLE SPOKE FRONT	36
7	44701-ABW-100	RIM FRONT WHEEL	1
8	44711-ABW-103	TYRE FRONT	1
9	44712-ABW-103	TUBE TYRE	1
10	44713-ABW-100	FLAP, TYRE FRONT	1
11	44802-AAB-A00	SLEEVE FR WHEEL (LH)	1
12	45251-KRY-971	DISK, FR BRAKE	1
13	45252-AAB-A00	SENSOR RING FR DISC	1
14	90105-KL8-741	BOLT, FR.DISK, 8 X 24	5
15	90155-ABW-000	BOLT FLANGE 8X45	2
16	90306-KST-942	NUT, CASTLE, 12 MM	1
17	90755-229-000	OIL SEAL, 21 X 37 X 7	1
18	96140-63010-10	BEARING, RADIAL BALL, 6301U	2
19	96600-05012-18	BOLT SOCKET 5X12	5
20	97278-ABW-100	SPOKE FRONT B	18

F-8
REAR BRAKE(MASTER CYL.)



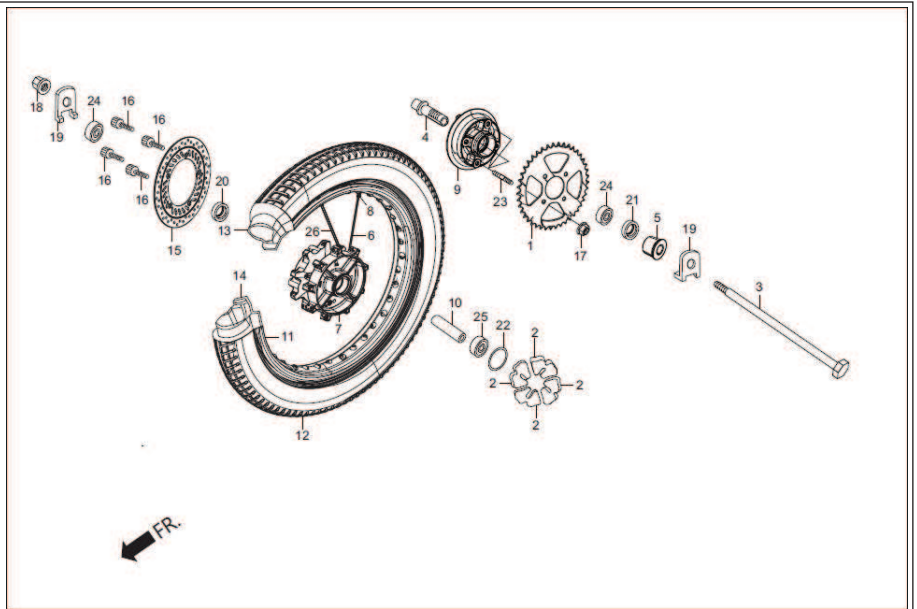
Service Item	F.R.T.	Group Number: F-8 Model :: Xpulse 200 (May,2019)		
Ref No.	Part Number	Description	Req.	
1	43310-ABW-100	HOSE COMP. RR BRAKE	1	
2	35357-KVN-970	SPG,STOP SW	1	
3	43504-MB2-006	BOOT COMP.	1	
4	43510-ABW-000	SUB ASSY. REAR M/C	1	
5	43511-ABW-100	OIL CUP COMP	1	
6	43512-ABW-100	HOSE, M/C	1	
7	43514-KS6-701	CLAMP. M/C OIL HOSE	2	
8	43520-MJ6-315	PISTON SET M/C	1	
9	43530-MV9-006	PUSH ROD COMP.	1	
10	45513-ABW-100	CAP, M/C	1	
11	45520-ABW-100	DIAPHRAGM	1	
12	45521-ABW-100	PLATE, DIAPHRAGM	1	
13	46182-MEL-D21	CIRCLIP	1	
14	46504-KV6-702	JOINT BRK ROD	1	
15	90145-MS9-610	OIL BOLT, 10 X 22	2	
16	90545-300-000	WASHER ,OIL BOLT	4	
17	91212-422-006	O RING	1	
18	95015-54000	PIN D JOINT	1	
19	95701-06022-00	BOLT, FLANGE, SH. 6 X 22	2	
20	94002-08000-0S	NUT HEX.8 MM	1	
21	94201-20150	PIN, SPLIT, 2.0 X 15	1	
22	94305-20102	PIN SPRING 2X10	1	
23	95701-06012-00	BOLT, FLANGE, 6X12	1	
24	43155-KRY-970	CLAMPER RR BRAKE HOSE	1	
25	90103-MCS-G00	BOLT, FLANGE SH.6X12	1	

F-8A
 REAR BRAKE (CALIPER ASSY. REAR)



Service Item	F.R.T.	Group Number: F-8A Model :: Xpulse 200 (May,2019)		
Ref No.	Part Number	Description	Req.	
1	06451-MA7-405	SEAL SET, PISTON	1	
2	06435-AAB-A00	PAD SET RR	1	
3	45131-GE2-006L	PIN BOLT A	1	
4	43150-ABW-100	CALIPER SUB ASSY. RR	1	
5	45111-MAJ-G41	STOPPER RING	1	
6	45131-GZ0-006L	PIN BOLT	2	
7	45203-MCC-006	PLUG,PIN	1	
8	43353-461-771L	CAP BLEEDER	1	
9	43215-KGH-901	PIN,HANGER	1	
10	43115-ABW-100	HOLDER RR CALIPER	2	
11	45133-MA3-006L	BOOT B	1	
12	45132-166-016L	BUSH BOOT PIN	1	
13	43107-MA7-006	PISTON	1	
14	43114-KRY-971	SHIM B	1	
15	43190-ABW-100	BRKT SUB ASSY RR	1	

F-9
RR WHEEL / FLANGE ASSY. DRIVEN



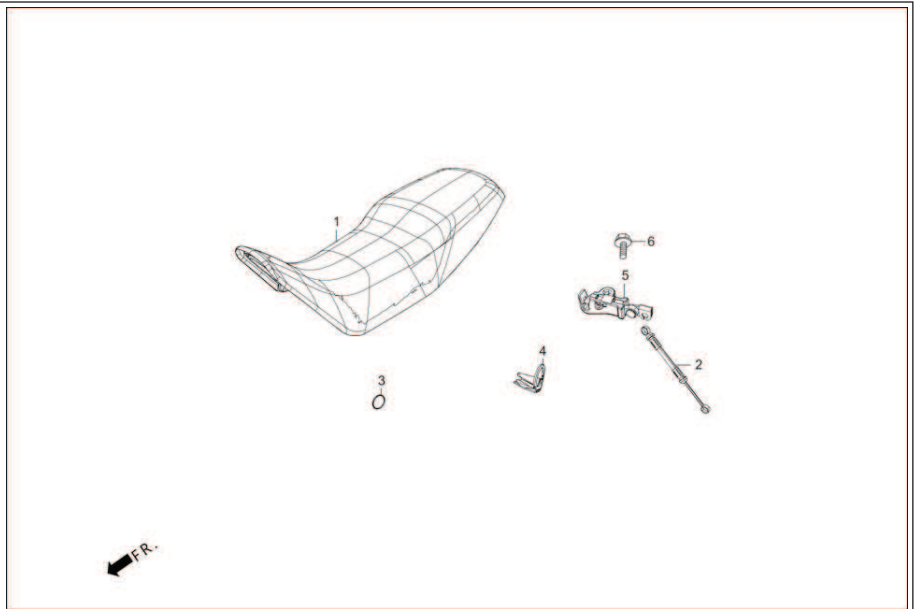
Service Item

F.R.T.

Group Number: F-9 Model :: Xpulse 200 (May,2019)

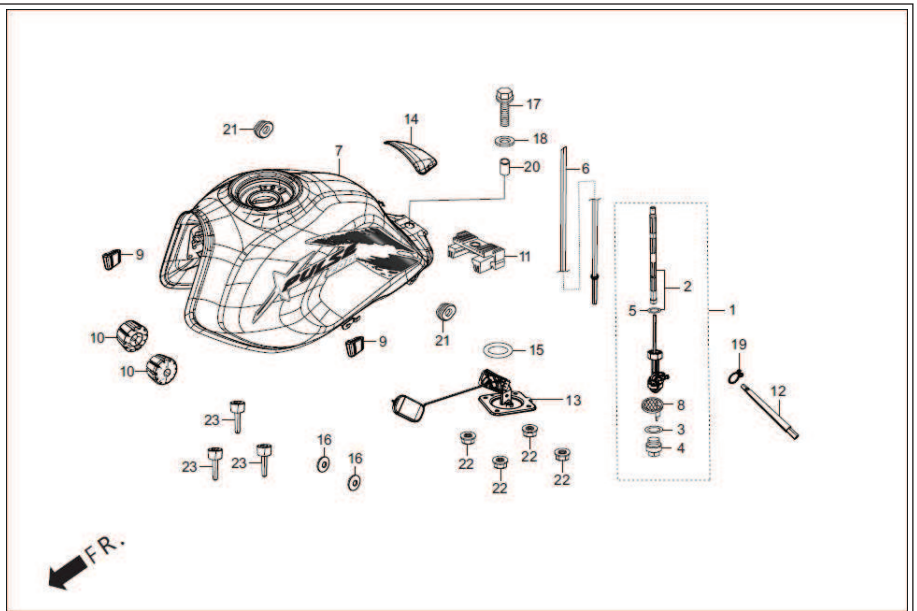
Ref No.	Part Number	Description	Req.
1	41201-ABW-100	SPROCKET FINAL DRIVEN 42T	1
2	41241-KSP-900	DAMPER, RR WHEEL	4
3	42301-AAB-A00	AXLE RR WHEEL	1
4	42303-AAB-A00	SLEEVE REAR WHEEL	1
5	42311-AAB-A00	COLLAR RR WHEEL SIDE(LH)	1
6	97660-ABW-100	SPOKE REAR A	18
7	42601-ABW-100	HUB REAR WHEEL	1
8	42603-ABW-100	NIPPLE SPOKE REAR	36
9	42611-KRY-930	FLANGE, FINAL DRIVEN(NH-35M)	1
10	42620-AAR-000	COLLAR RR AXLE DISTANCE	1
11	42701-ABW-100	RIM REAR WHEEL	1
12	42711-ABW-103	TYRE REAR	1
13	42712-ABW-103	TUBE TYRE	1
14	42713-ABW-100	FLAP, TYRE REAR	1
15	43251-KVN-971	DISC,RR BRAKE	1
16	90105-KL8-741	BOLT, FR.DISK, 8 X 24	4
17	90304-KCS-920	NUT 'U' 10 MM	4
18	90305-KVN-900	NUT, FLG. PT. 14 MM	1
19	90560-KVE-900	WASHER, R RR. AXLE	2
20	91253-KSP-901	DUST SEAL, 30 X 47 X 8	1
21	91257-230-003	OIL SEAL 28X42X7	1
22	91352-KSP-900	O RING, 51 X 2	1
23	92915-10025-0E	BOLT, STUD II, 10X25	4
24	96140-63020-10	BRG., BALL RADIAL, 6302 (U)	2
25	96150-60050-10	BEARING, BALL RADIAL, 6005	1
26	97252-ABW-100	SPOKE REAR B	18

F-10
SEAT ASSY.



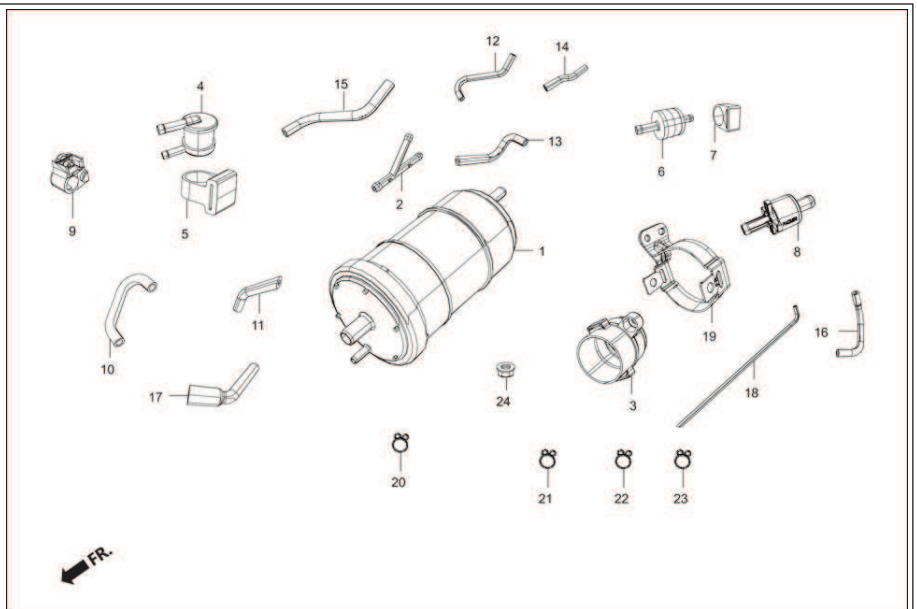
Service Item	F.R.T.	Group Number: F-10 Model :: Xpulse 200 (May,2019)			
Ref No.	Part Number	Description	Req.		
1	77200-ABW-100	SEAT COMP. DOUBLE	1		
2	77156-ABW-000	CABLE SEAT LOCK	1		
3	80123-KCC-870	BAND, TOOL	1		
4	77244-ABW-000	STAY SEAT LOCK CABLE	1		
5	77220-KY6-000	HOOK, SEAT CATCH	1		
6	95701-06012-00	BOLT, FLANGE, 6X12	1		

F-11
FUEL TANK / FUEL UNIT



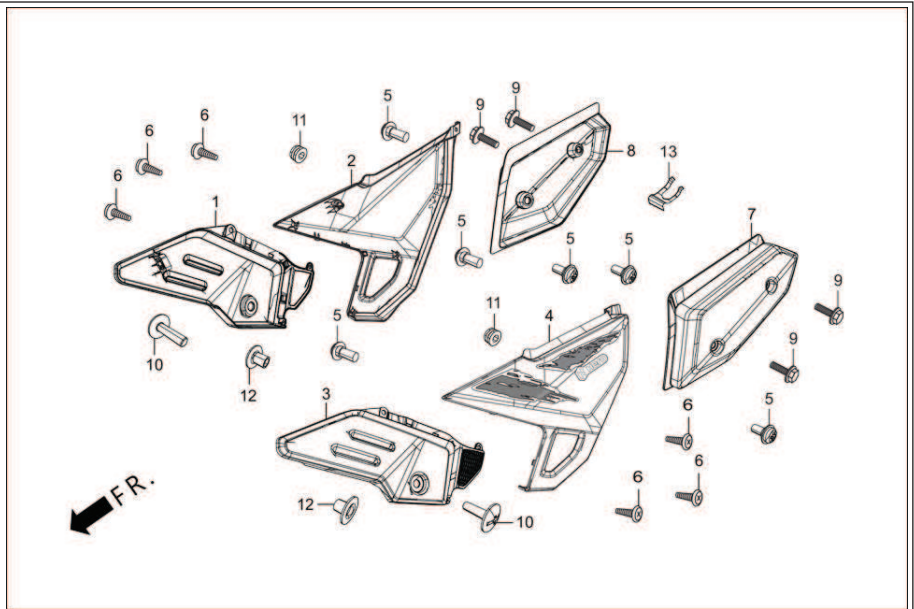
Service Item	F.R.T.	Group Number: F-11 Model :: Xpulse 200 (May,2019)		
Ref No.	Part Number	Description	Req.	
1	16950-ABW-001	COCK ASSY FUEL	1	
2	16952-ABW-001	SET FUEL STRAINER SCREEN	1	
3	16173-001-000	'O'- RING	1	
4	16967-GA6-671	CUP, FUEL STRAINER	1	
5	16958-397-770	O-RING	1	
6	17199-AAC-200	TUBE DRAIN	1	
7	17500-ABW-100R	SET FUEL TANK (BLACK NH-1)	1	
	17500-ABW-100S	SET FUEL TANK (SPORTS RED)	1	
	17500-ABW-100T	SET FUEL TANK (PEARL FADELESS WHITE)	1	
8	16959-HB3-000	FILTER, CUP	1	
9	77267-KTR-900	RUBBER, COWL	2	
10	17611-KRY-970	CUSHION , FRONT FUEL TANK	2	
11	17613-KCC-900	CUSHION, RR. TANK	1	
12	17681-ABW-000	TUBE FUEL ASSY	1	
13	37800-ABW-001	UNIT ASSY FUEL	1	
14	17547-ABW-100	PAD FUEL TANK MIDDLE	1	
15	91305-443-740	'O' RING, 39.5 X 5	1	
16	90408-KW1-900	WASHER, 6 MM	2	
17	95701-08035-00	BOLT, FLANGE, 8 X 35	1	
18	90534-MV4-000	WASHER ,8.5X28	1	
19	95002-50000	CLIP, C9 TUBE	1	
20	90324-KCC-900	COLLAR, 8 MM	1	
21	83551-300-000	GROMMET, AIR CLEANER CASE	2	
22	94050-06000	NUT, FLANGE, 6 MM	4	
23	90074-KVE-900	BOLT SOCKET 4 X 21	3	

F-11A
FUEL TANK (CANISTER ASSY.)



Service Item	F.R.T.	Group Number: F-11A Model :: Xpulse 200 (May,2019)		
Ref No.	Part Number	Description	Req.	
1	17410-AAM-001	CANISTER COMP	1	
2	17230-AAH-100	JOINT 3 WAY	1	
3	17411-AAB-A00	SUSP CANISTER	1	
4	17420-AAD-A00	ROLL OVER VALVE	1	
5	17421-AAB-500	SUSP ROLL OVER VALVE	1	
6	17430-AAE-100	ONE WAY VALVE	1	
7	17431-AAH-A00	SUSP. ONE WAY VALVE	1	
8	17460-AAE-10099	PURGE VALVE	1	
9	17646-MN8-700	RUBBER SEAL BREATHER	1	
10	17670-AAB-A00	PURGE TUBE A	1	
11	17697-AAM-000	TUBE ONE WAY VALVE	1	
12	17690-ABW-000	TUBE A PIPE BREATHER	1	
13	17691-ABW-000	TUBE A CANISTER	1	
14	17693-ABW-000	TUBE A J3W	1	
15	17694-ABW-000	TUBE B J3W	1	
16	17671-ABW-000	PURGE TUBE B	1	
17	17695-AAM-000	TUBE AIR CANISTER	1	
18	17696-ABW-000	TUBE DRAIN	1	
19	50151-AAB-A00	CANISTER CLIP	1	
20	95002-02080	CLIP, TUBE	11	
21	95002-02100	CLIP, B-10 TUBE	1	
22	95002-02130	CLIP B 12.5 TUBE	1	
23	95002-70000	CLIP, C11 TUBE	2	
24	94050-06000	NUT, FLANGE, 6 MM	1	

F-12
SIDE COVER



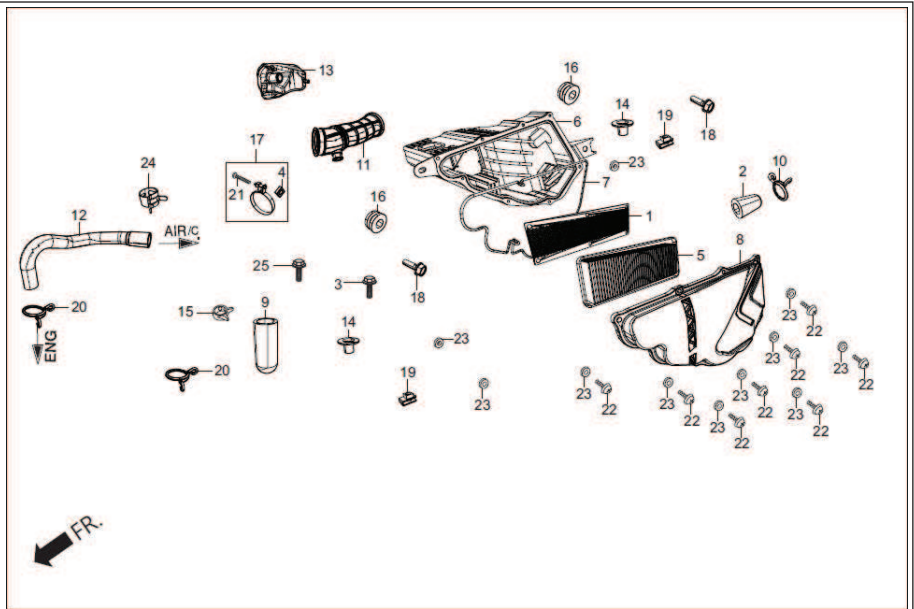
Service Item

F.R.T.

Group Number: F-12 Model :: Xpulse 200 (May,2019)

Ref No.	Part Number	Description	Req.
1	83760-ABW-000	SIDE COVER B R SIDE	1
2	83500-ABW-100R	SET COVER A R SIDE (BLACK NH-1)	1
	83500-ABW-100S	SET COVER A R SIDE (SPORTS RED)	1
	83500-ABW-300T	SET COVER A, R SIDE (PFW, NH-341P)	1
3	83860-ABW-000	SIDE COVER B L SIDE	1
4	83600-ABW-100R	SET COVER A L SIDE (BLACK NH-1)	1
	83600-ABW-100S	SET COVER A L SIDE (SPORTS RED)	1
	83600-ABW-300T	SET COVER A, L SIDE (PFW, NH-341P)	1
5	90101-GE0-000	SCREW, HINGE PATCH	6
6	93903-34220	SCREW TAPPING 4X10	6
7	77240-ABW-000	ACCESSORY MOUNTING COVER L	1
8	77230-ABW-000	ACCESSORY MOUNTING COVER R	1
9	96001-06012-00	BOLT,FLANGE,SH,6 X 12	4
10	90105-KVE-860	BOLT,SPECIAL 6X22	2
11	83545-KCJ-690	RUBBER, SIDE COVER	2
12	19052-KV0-000	COLLAR, RADIATOR MTG	2
13	75581-673-000	SET SPRING, LOCK KEY	1

F-13
AIR CLEANER



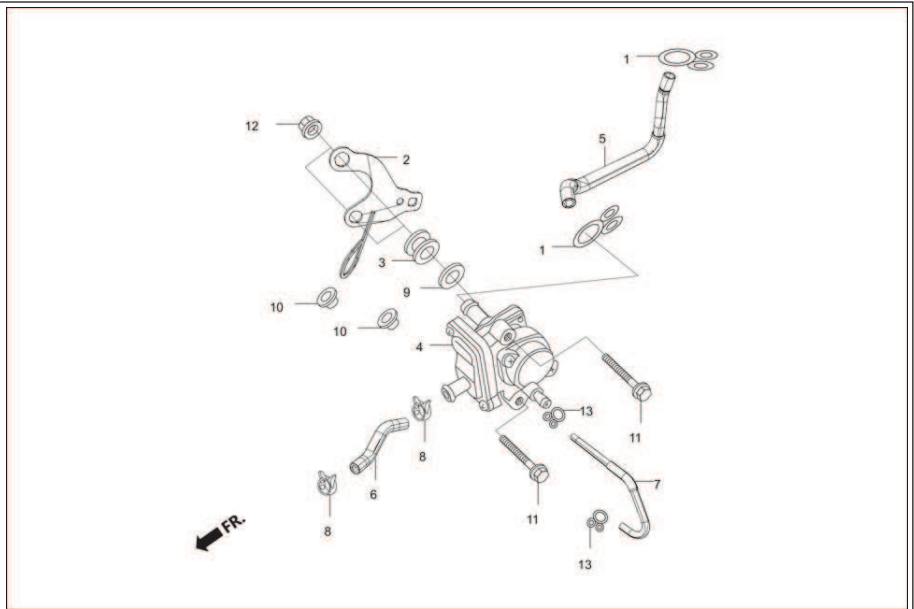
Service Item

F.R.T.

Group Number: F-13 Model :: Xpulse 200 (May,2019)

Ref No.	Part Number	Description	Req.
1	17212-ABW-000	GUARD, ELEMENT	1
2	18651-AAM-100	PLUG AIR/C	1
3	95701-06012-07	BOLT, FLANGE, 6X12	1
4	16222-MV4-300	NUT, SQUARE, 5 MM	1
5	17208-ABW-000	HOLDER COMP. ELEMENT	1
6	17210-ABW-000	CASE SUB ASSY. A/C	1
7	17214-ABW-000	SEAL B AIR CLEANER	1
8	17225-ABW-000	COVER AIR C	1
9	17216-ABW-000	TUBE DRAIN 11X15X37	1
10	17369-AAM-100	CLIP BREATHER TUBE	1
11	17253-ABW-000	TUBE AIR/C CONN	1
12	17371-ABW-000	TUBE BREATHER	1
13	17410-ABW-000	RESONATOR	1
14	19052-KV0-000	COLLAR, RADIATOR MTG	2
15	19509-GE2-003	CLAMP, D19 TUBE	1
16	83545-KCJ-690	RUBBER, SIDE COVER	2
17	95018-58320	BAND 58 AIR/C CONN TUBE	1
18	95701-06020-00	BOLT, FLANGE, 6X20	2
19	90311-MT3-000	NUT, CLIP, 6 MM	2
20	90601-KAF-003	CLIP, SW. COVER	2
21	93500-05025-0G	SCREW PAN 5X25	1
22	90109-SB6-0001	SCREW, TRUSS, 5X16	8
23	94101-05000	WASHER , PLAIN, 5MM	11
24	91406-KFN-850	CLAMP, D14.5 TUBE	1
25	95701-06018-00	BOLT FLANGE 6X18	1

F-13A
AIR CLEANER (AIR SUCTION VALVE)



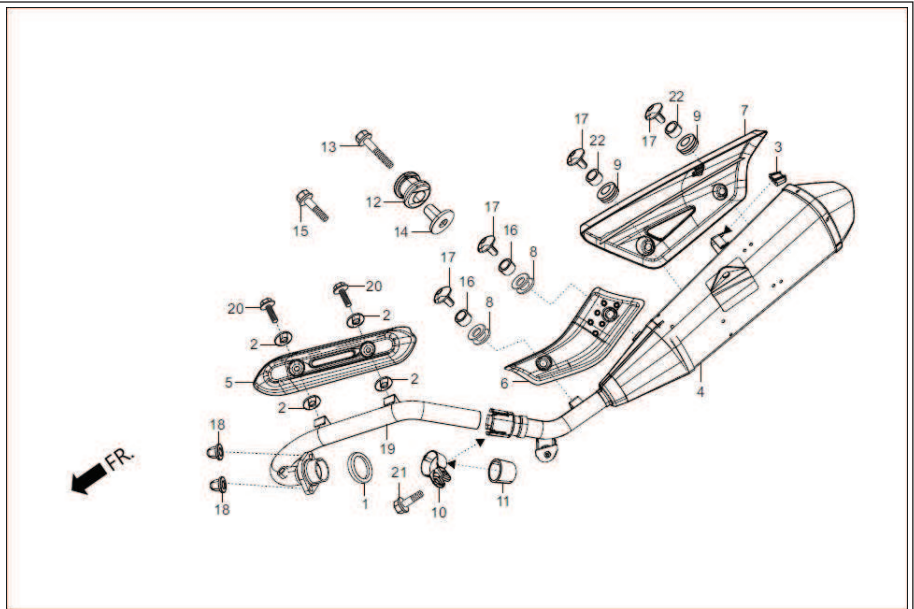
Service Item

F.R.T.

Group Number: F-13A Model :: Xpulse 200 (May,2019)

Ref No.	Part Number	Description	Req.
1	15772-KTN-900	CLIP BREATHER TUBE	2
2	17365-ABW-000	PLATE, ASV SET	1
3	17622-GB7-900	RUBBER, CUSHION	2
4	18600-KSP-901	VALVE, ASSY. AIR SUCTION	1
5	18601-ABW-000	TUBE 'A' ASV	1
6	18602-ABW-000	TUBE 'B' ASV	1
7	18655-ABW-000	TUBE 'PB' ASV	1
8	19509-KFN-850	CLAMP, D16 TUBE	2
9	90417-041-000	WASHER, GEAR SHIFT DRUM SIDE	2
10	90502-KVE-900	COLLAR RUBBER CUSHION	2
11	95701-06030-00	BOLT, FLANGE, 6X30	2
12	94050-06000	NUT, FLANGE, 6 MM	2
13	95002-02070	CLIP, B-7 TUBE	2

F-14
MUFFLER



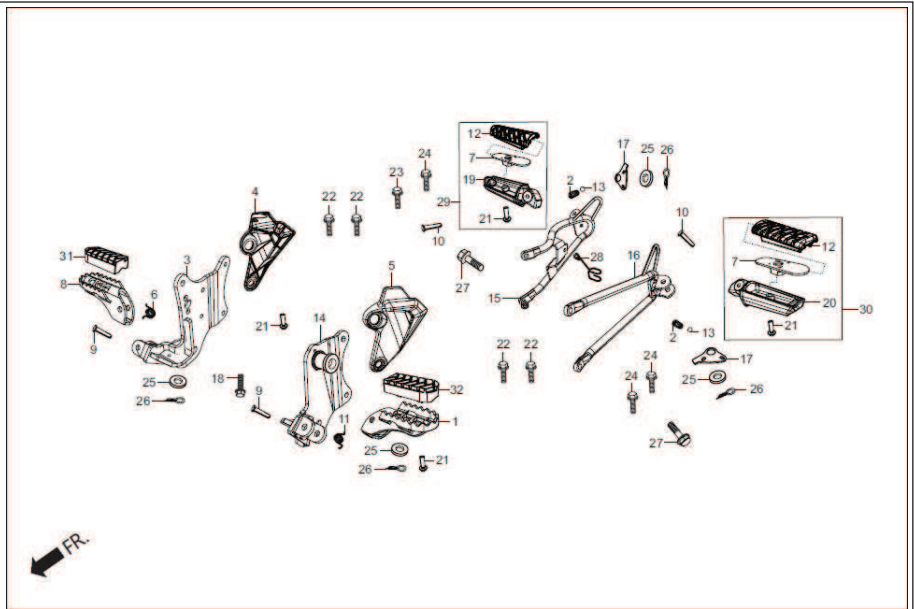
Service Item

F.R.T.

Group Number: F-14 Model :: Xpulse 200 (May,2019)

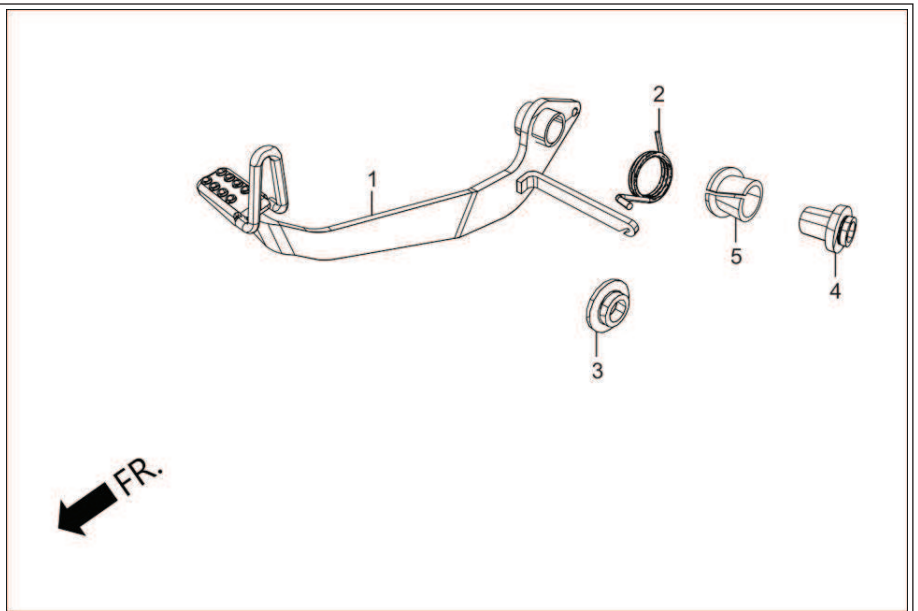
Ref No.	Part Number	Description	Req.
1	18291-KRY-930	GASKET, EXHAUST PIPE	1
2	18292-KTP-900	PACKING, PROTECTOR	4
3	18293-KPK-900	RUBBER, PKG. PROTECTOR	1
4	18310-ABW-100	MUFFLER COMP. EXHAUST	1
5	18312-ABW-100	COVER MUFFLER - 1	1
6	18313-ABW-100	COVER MUFFLER - 2	1
7	1831A-ABW-100	MUFFLER PROTECTOR	1
8	18345-MBT-610	RUBBER, PROTECTOR, MOUNT	2
9	18357-ABW-100	RUBBER, PROTECTOR MOUNT	2
10	18371-ABW-100	EXHAUST CLAMP	1
11	18391-ABW-100	PACKING MUFFLER	1
12	18421-ABA-000	RUBBER MUFF MOUNT	1
13	95701-08032-00	BOLT, FLANGE, 8×32	1
14	18442-ABA-000	COLLAR MUFFLER MOUNT	1
15	95701-08040-07	BOLT FLANGE, 8 X 40	1
16	33619-459-840A	COLLAR, WINKER STAY	2
17	90107-ABW-100	BOLT SPL. 6X14	4
18	90305-KSP-900	NUT, 8MM EXP.	2
19	18320-ABW-100	PIPE COMP. EXHAUST	1
20	96001-06012-02	BOLT FLANGE 6X12	2
21	95701-08035-07	BOLT, FLANGE, 8X35	1
22	17221-KA4-300	COLLAR CONN TUBE	2

F-15
STEP PILLION / HOLDER / BRKT.



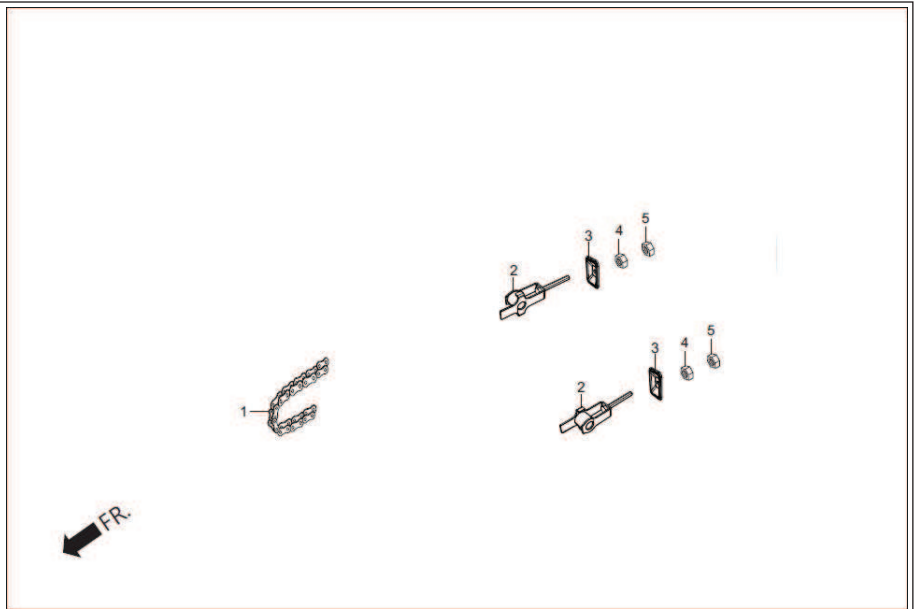
Service Item	F.R.T.	Group Number: F-15 Model :: Xpulse 200 (May,2019)		
Ref No.	Part Number	Description	Req.	
1	5064A-ABW-100	FOOT PEG ASSY L	1	
2	28333-300-000	SPRING KICK STARTER STOPPER	2	
3	50600-ABW-100	HOLDER R RIDER STEP	1	
4	50660-ABW-100	COVER RH RIDER STEP	1	
5	50670-ABW-100	COVER LH RIDER STEP	1	
6	50617-AAS-000	SPG STEP RETURN R	1	
7	50619-AAS-000	PLATE STEP SET	2	
8	5061A-ABW-100	FOOT PEG ASSY R	1	
9	50639-ABW-000	PIN, FOOTPEG	2	
10	50638-ABW-000	PIN, FOOT PEG PILLION	2	
11	50644-AAS-000	SPG STEP RETURN L	1	
12	50661-AAS-000	FOOT PEG RUBBER	2	
13	96211-08000	BALL STEEL 8 MM	2	
14	50700-ABW-100	HOLDER L, RIDER STEP	1	
15	50701-ABW-100	HOLDER RH PILLION STEP	1	
16	50702-ABW-100	HOLDER LH PILLION STEP	1	
17	50718-AAS-000	DETENT PLATE BALL	2	
18	96001-06030-00	BOLT, FLANGE, SH., 6 X 30	1	
19	50720-ABW-200	PASSENGER FOOT PEG R	1	
20	50730-ABW-200	PASSENGER FOOT PEG L	1	
21	90013-AAS-000	BOLT TORX 6X16	4	
22	95701-06022-00	BOLT, FLANGE, SH. 6 X 22	4	
23	95701-08014-00	BOLT FLANGE 8X14	1	
24	95701-08018-08	BOLT, FLANGE 8X18	3	
25	94102-08000	WASHER, PLAIN, 8MM	4	
26	94201-20150	PIN, SPLIT, 2.0 X 15	4	
27	95801-10070-00	BOLT FLANGE 10X70	2	
28	50296-ABW-000	GUIDE, DRAIN HOSE	1	
29	5072A-ABW-200	ARM R, PILLION STEP SUB. ASSY	1	
30	5073A-ABW-200	ARM L, PILLION STEP SUB. ASSY	1	
31	50647-ABW-100	FOOT PEG, RUBBER RH	1	
32	50648-ABW-100	FOOT PEG, RUBBER LH	1	

F-15A
STEP PILLION / HOLDER / BRKT. (PEDAL
BRAKE)



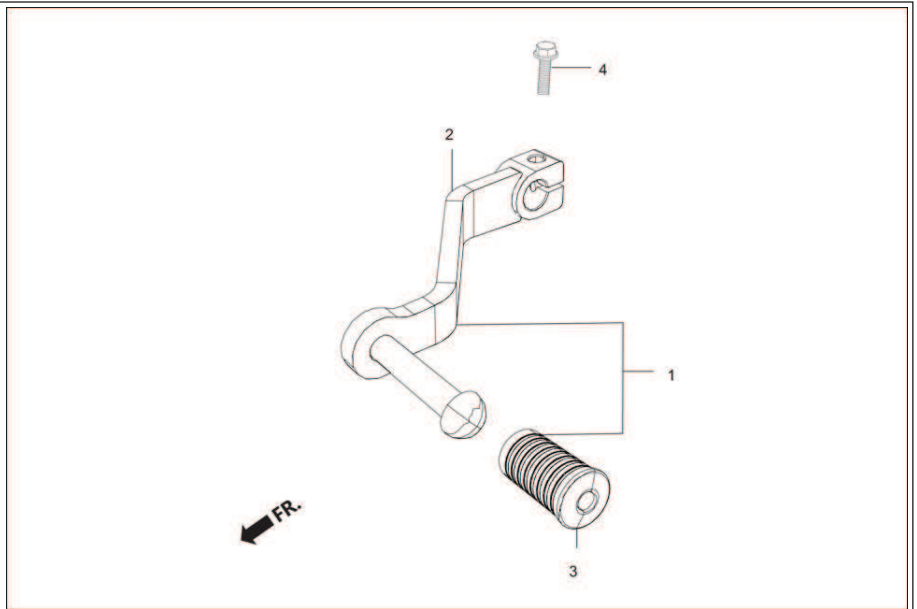
Service Item	F.R.T.	Group Number: F-15A Model :: Xpulse 200 (May,2019)		
Ref No.	Part Number	Description	Req.	
1	46500-ABW-000	PEDAL BRAKE	1	
2	46514-ABW-000	SPRING BRAKE PEDAL	1	
3	50662-ABW-100	WASHER A	1	
4	46600-ABW-000	BOLT BRAKE PEDAL	1	
5	46518-ABW-000	BUSH BRAKE PEDAL	1	

F-16
CHAIN DRIVE / ADJUSTER CHAIN



Service Item	F.R.T.	Group Number: F-16 Model :: Xpulse 200 (May,2019)			
Ref No.	Part Number	Description	Req.		
1	40530-ABW-101	CHAIN DRIVE 520H-108	1		
2	40543-ABW-100	ADJUSTER CHAIN	2		
3	40546-ABW-100	CAP SWIINGARM END	2		
4	90302-KBP-900	NUT SPL 6 MM	2		
5	94001-06000-0S	NUT, HEX., 6 MM	2		

F-17
PEDAL



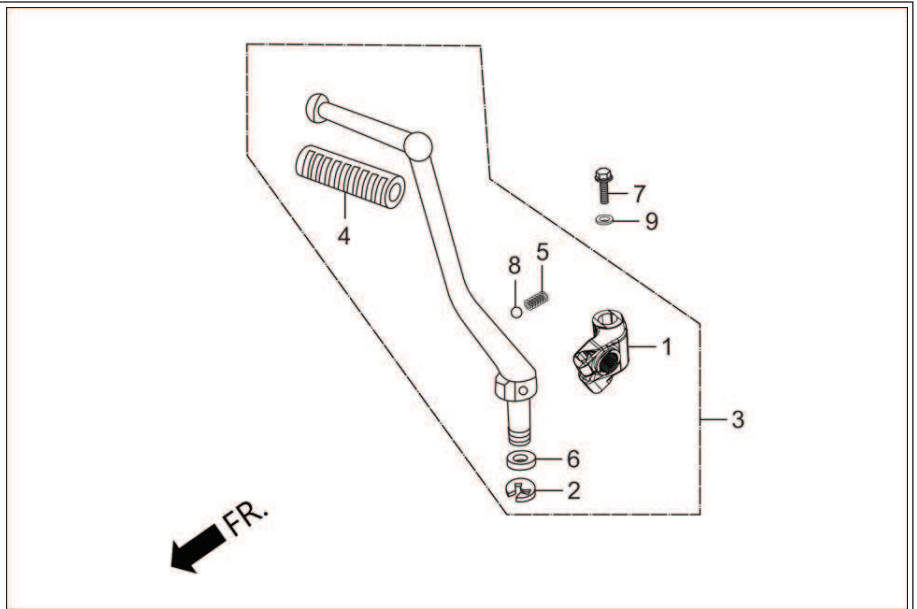
Service Item

F.R.T.

Group Number: F-17 Model :: Xpulse 200 (May,2019)

Ref No.	Part Number	Description	Req.
1	24700-ABW-000	PEDAL ASSY GEAR CHANGE	1
2	24701-ABW-000	PEDAL GEAR CHANGE	1
3	24781-KR3-770	RUBBER, CHANGE PEDAL	1
4	95701-06020-07	BOLT, FLANGE, 6 X 20	1

F-17A
KICK STARTER



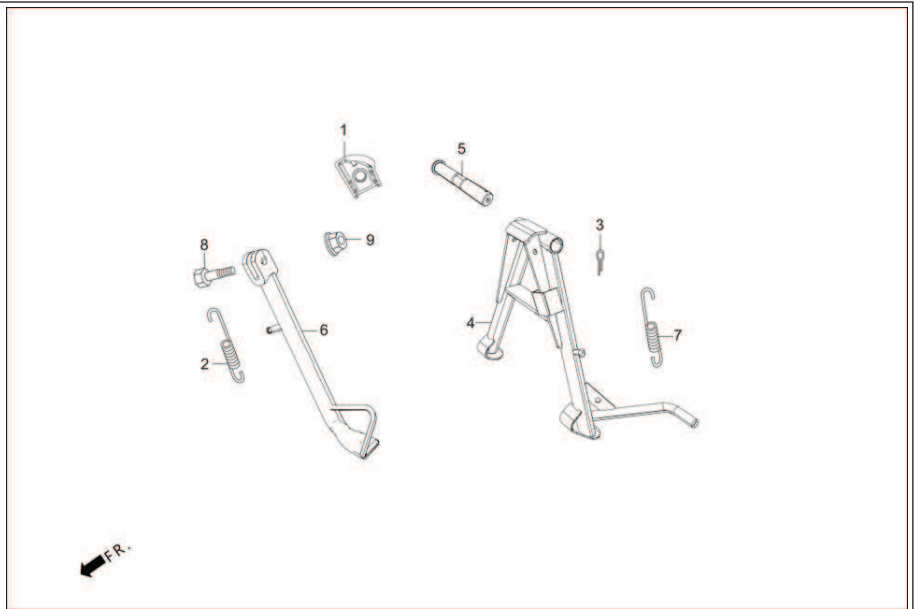
Service Item

F.R.T.

Group Number: F-17A Model :: Xpulse 200 (May,2019)

Ref No.	Part Number	Description	Req.
1	28241-AAK-H00	JOINT KICK ARM	1
2	28293-333-000	CLIP, KICK STARTER ARM	1
3	28300-AAK-H00	ARM ASSY KICK STARTER	1
4	28311-KC5-000	STARTER RUBBER, KICK	1
5	28333-KK0-000	SPRING, KICK STARTER ARM SET	1
6	90505-KRM-860	WASHER, 15.5 X 22	1
7	95801-08038-07	BOLT FLANGE 8X38	1
8	96211-08000	BALL STEEL 8 MM	1
9	94102-08000	WASHER, PLAIN, 8MM	1

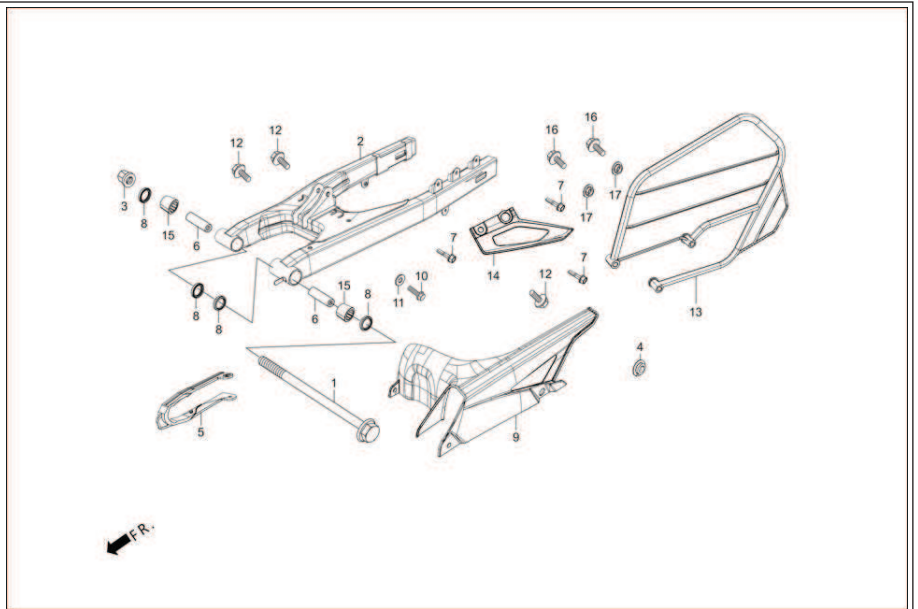
F-18
CHAIN CASE & STAND



Service Item	F.R.T.	Group Number: F-18 Model :: Xpulse 200 (May,2019)		
Ref No.	Part Number	Description	Req.	
1	35130-AAB-000	MAGNET HOLDER ASSY.	1	
2	95014-72102	SPRING, SIDE STAND	1	
3	94201-30300	PIN, SPLIT 3 X 30MM	1	
4	50500-ABW-100	STAND COMP MAIN	1	
5	50526-KCT-690	SHAFT, MAIN STAND PIVOT	1	
6	50530-ABW-100	BAR COMP. SIDE STAND	1	
7	95014-71702	SPRING 'G' MAIN STAND	1	
8	90107-AAB-000	SCREW SIDE STAND PIVOT	1	
9	90304-KCS-920	NUT 'U' 10 MM	1	
	90304-KFN-850	NUT 'U' 10 MM	1	

F-18A

SWINGARM / GUARD SAREE / CHAIN CASE



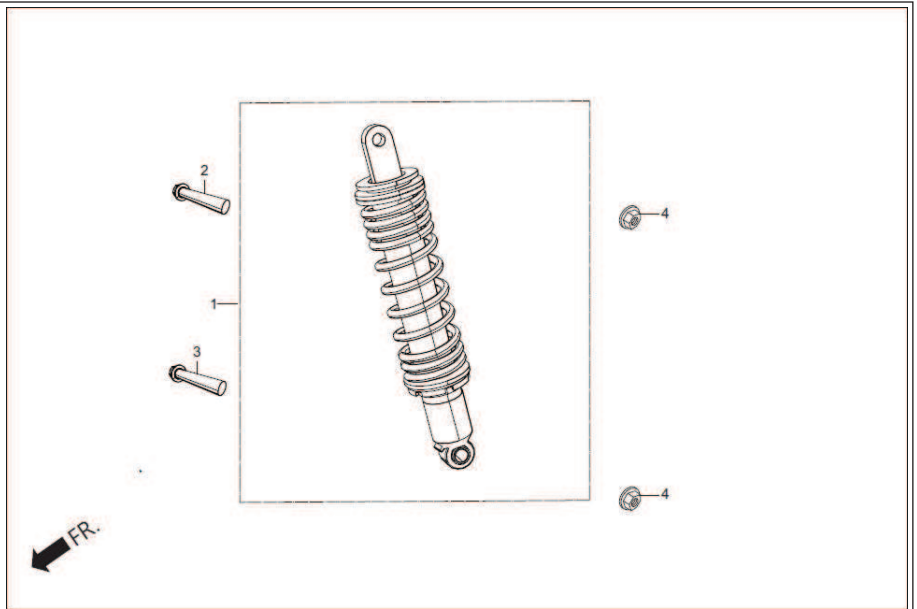
Service Item

F.R.T.

Group Number: F-18A Model :: Xpulse 200 (May,2019)

Ref No.	Part Number	Description	Req.
1	52101-ABW-000	BOLT, SWINGARM PIVOT	1
2	52110-ABW-100	SWING ARM COMP REAR	1
3	90305-KVN-900	NUT, FLG. PT. 14 MM	1
4	90501-ABW-000	COLLAR, CHAIN CASE	1
5	52170-ABW-100	SLIDER CHAIN	1
6	52143-KVE-900	COLLAR, PIVOT DIST L	2
7	95701-08040-07	BOLT FLANGE, 8 X 40	3
8	91254-KS6-003	DUST SEAL 20 X 26 X 4.5	4
9	40510-ABW-100	CHAIN CASE UPPER	1
10	95701-06012-07	BOLT, FLANGE, 6X12	1
11	90522-AAB-000	WASHER, CHAIN CASE SETTING	1
12	90111-187-000	BOLT, FLANGE. 6 MM	3
13	51103-AAB-A00	GUARD SAREE	1
14	40550-AAB-A00	GUARD LOWER FINAL DRIVE	1
15	91071-KVN-900	BRG, NEEDLE 20X26X20	2
16	95701-05010-00	BOLT FLANGE 5X10	2
17	90556-044-000	WASHER, FENDER SETTING	2

F-19
CUSHION REAR



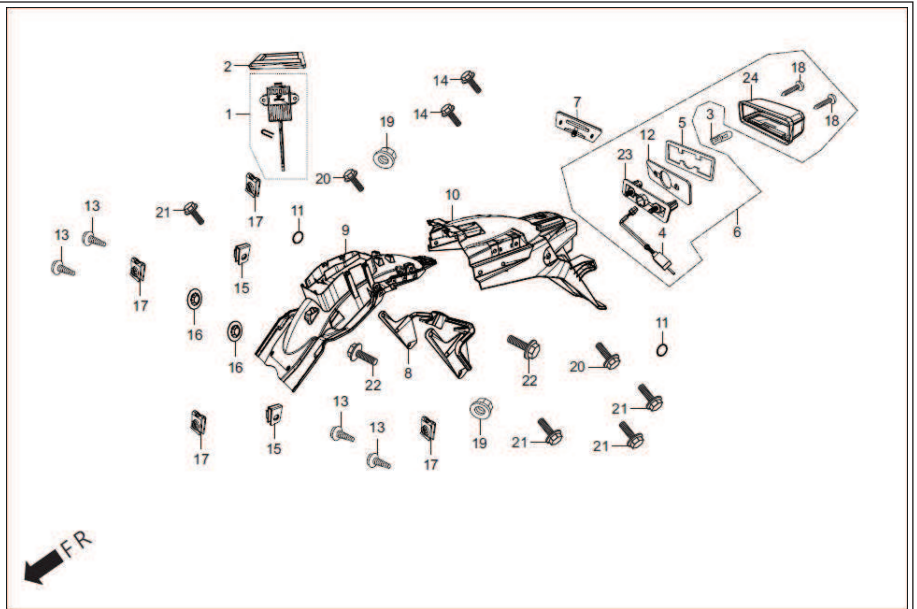
Service Item

F.R.T.

Group Number: F-19 Model :: Xpulse 200 (May,2019)

Ref No.	Part Number	Description	Req.
1	52400-ABW-101	CUSHION ASSY REAR	1
2	90151-ABW-000	BOLT FLANGE 10X65	1
3	90154-AAB-A00	BOLT FLANGE 10X55	1
4	90304-KST-942	NUT FLG.PT 10MM	2

F-20
REAR FENDER



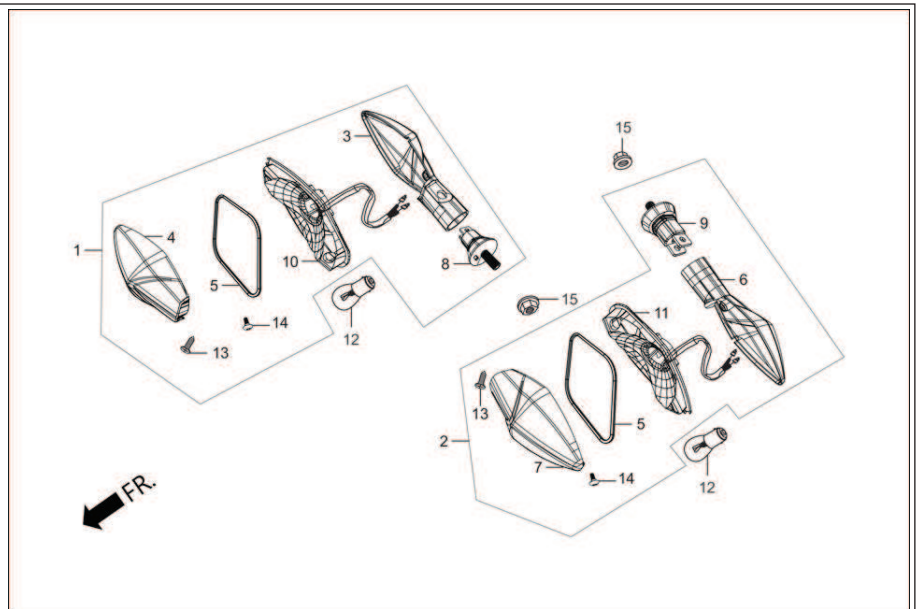
Service Item

F.R.T.

Group Number: F-20 Model :: Xpulse 200 (May,2019)

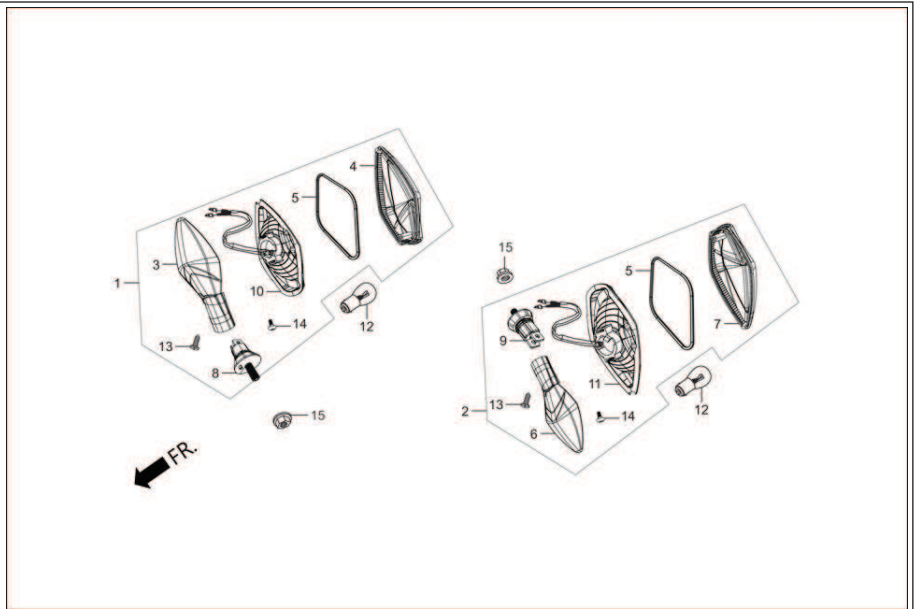
Ref No.	Part Number	Description	Req.
1	31300-AAT-001	USB CHARGER ASSY	1
2	31301-AAW-001	GASKET, USB CHARGER	1
3	33301-KVE-900	BULB, WEDGE BASE (T10, 12V-5W)	1
4	33721-ABW-001	SOCKET COMP. DOMESTIC	1
5	33729-MCZ-003	PACKING, LENS	1
6	3372B-ABW-001	LIGHT ASSY. LICENSE	1
7	33743-AAR-001	REFLEX REFLECTOR SIDE	1
8	50190-ABW-000	STAY COMP. RR FENDER	1
9	80100-ABW-100	RR FENDER A	1
10	80110-ABW-100	RR FENDER B	1
11	80123-KCC-870	BAND, TOOL	2
12	80203-KVE-900	RUBBER LICENSE LIGHT	1
13	90101-GE0-000	SCREW, HINGE PATCH	4
14	90111-187-000	BOLT, FLANGE. 6 MM	2
15	90311-MT3-000	NUT, CLIP, 6 MM	2
16	90313-172-000	NUT, SPEED, 4MM	2
17	90320-GC3-000	NUT, SPRING, M5	4
18	93903-34380	SCREW, TAPPING, 4X12	2
19	94050-05000	NUT FLANGE, 5 MM	2
20	95701-06014-00	BOLT, FLANGE, 6 X 14	2
21	96001-06018-07	BOLT FLANGE SH 6X18	4
22	95701-06012-00	BOLT, FLANGE, 6X12	2
23	33722-AAG-00099	BASE COMP	1
24	33723-AAG-00099	COVER COMP	1

F-21
FRONT WINKER



Service Item	F.R.T.	Group Number: F-21 Model :: Xpulse 200 (May,2019)		
Ref No.	Part Number	Description	Req.	
1	3340B-ABW-001	WINKER ASSY R FR	1	
2	3345B-ABW-001	WINKER ASSY L FR	1	
3	33401-AAR-001	HOUSING R	1	
4	33402-AAS-001	LENS, RIGHT	1	
5	33408-AAR-001	PACKING	2	
6	33451-AAR-001	HOUSING L	1	
7	33452-AAS-001	LENS, LEFT	1	
8	33491-ABW-001	STAY COMP WINKER R	1	
9	33496-ABW-001	STAY COMP WINKER L	1	
10	33405-AAN-40099	REFLECTOR COMP R	1	
11	33455-AAN-40099	REFLECTOR COMP L	1	
12	34930-AAC-700	BULB(12V 10W) AMBER	2	
13	90380-AAR-001	SCREW SPECIAL	2	
14	93901-AAR-001	ST. SCREW 3X10	2	
15	94050-08000	NUT, FLANGE, 8MM	2	

F-21A
REAR WINKER



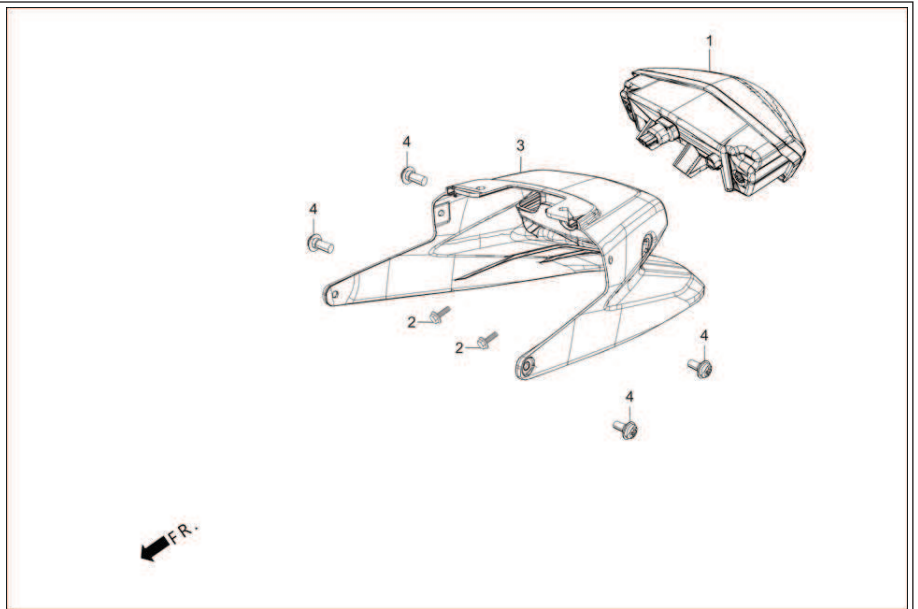
Service Item

F.R.T.

Group Number: F-21A Model :: Xpulse 200 (May,2019)

Ref No.	Part Number	Description	Req.
1	3360B-ABW-001	WINKER ASSY R RR	1
2	3365B-ABW-001	WINKER ASSY L RR	1
3	33401-AAR-001	HOUSING R	1
4	33402-AAS-001	LENS, RIGHT	1
5	33408-AAR-001	PACKING	2
6	33451-AAR-001	HOUSING L	1
7	33452-AAS-001	LENS, LEFT	1
8	33491-ABW-001	STAY COMP WINKER R	1
9	33496-ABW-001	STAY COMP WINKER L	1
10	33605-AAN-401	REFLECTOR COMP R	1
11	33655-AAN-40099	REFLECTOR COMP L WINKER ASSY.	1
12	34930-AAC-700	BULB(12V 10W) AMBER	2
13	90380-AAR-001	SCREW SPECIAL	2
14	93901-AAR-001	ST. SCREW 3X10	2
15	94050-08000	NUT, FLANGE, 8MM	2

F-22
TAIL LIGHT



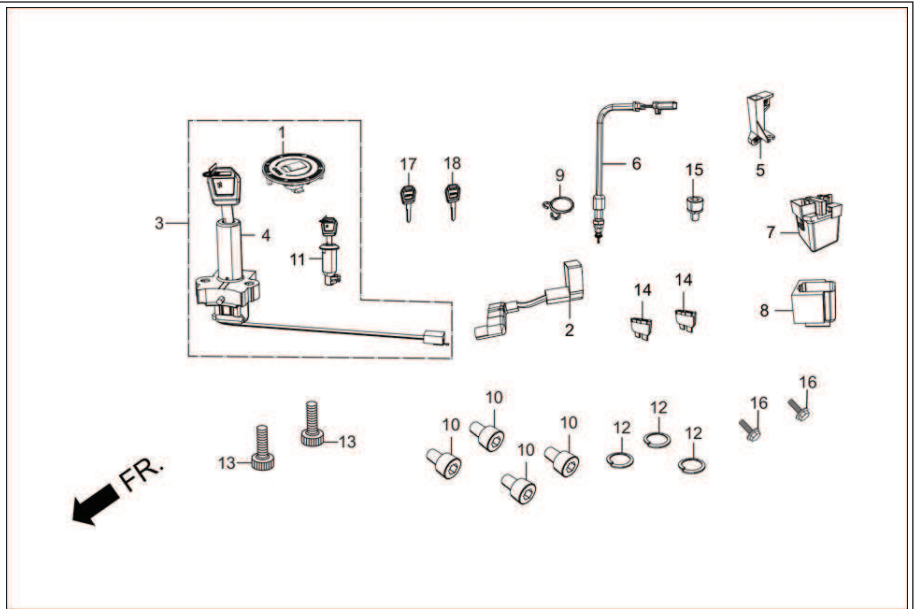
Service Item

F.R.T.

Group Number: F-22 Model :: Xpulse 200 (May,2019)

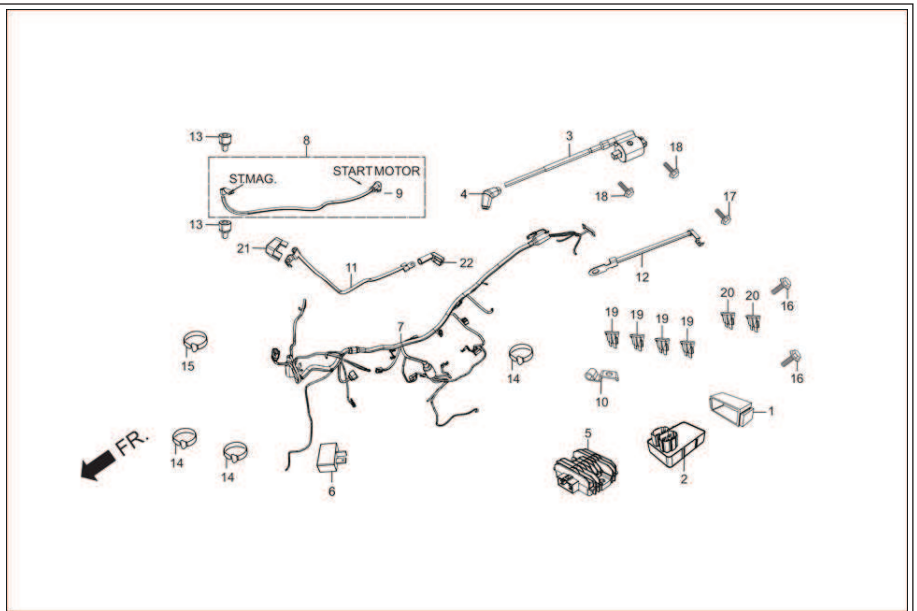
Ref No.	Part Number	Description	Req.
1	33700-ABW-001	UNIT TAIL LIGHT	1
2	90111-187-000	BOLT, FLANGE. 6 MM	2
3	88100-ABW-100R	SET TAIL LIGHT COVER (BLACK NH-1)	1
4	90101-GE0-000	SCREW, HINGE PATCH	4

F-23
SWITCH ASSY./ RELAY / LOCK ASSY./ KEY
BLANK



Service Item	F.R.T.	Group Number: F-23 Model :: Xpulse 200 (May,2019)		
Ref No.	Part Number	Description	Req.	
1	17620-AAK-H01	CAP COMP. FUEL FILLER	1	
2	32401-ABW-000	CABLE ST MAG BATT	1	
3	35010-ABW-001	KEY SET	1	
4	35100-AAK-201	SWITCH ASSY., COMB & LOCK	1	
5	35140-AAB-001	SIDE STAND SWITCH	1	
6	35350-KVE-930A	SWITCH ASSY, REAR STOP	1	
7	35850-KR3-870	SWITCH ASSY., START MAG.	1	
8	35856-KBG-007	RUBBER,SHOCK	1	
9	90601-KAF-003	CLIP, SW. COVER	1	
10	90110-KVE-900	BOLT SOCKET 6X8	4	
11	77239-AAL-H00	KEY SEAT LOCK	1	
12	94111-03800	WASHER, SPRING, 3MM	3	
13	96600-08025-00	SOCKET, BOLT, 8 X 25	2	
14	98200-32000	BLADE, FUSE, 20A	2	
15	90111-MR5-000	BOLT, SOCKET, 5X9	1	
16	95701-05016-00	BOLT FLANGE 5X16	2	
17	35121-ABW-001	BLANK KEY NO. 01	1	
18	35122-ABW-001	BLANK KEY NO. 02	1	

F-24
ELECTRICALS (WIRE HARNESS/START
CABLES)



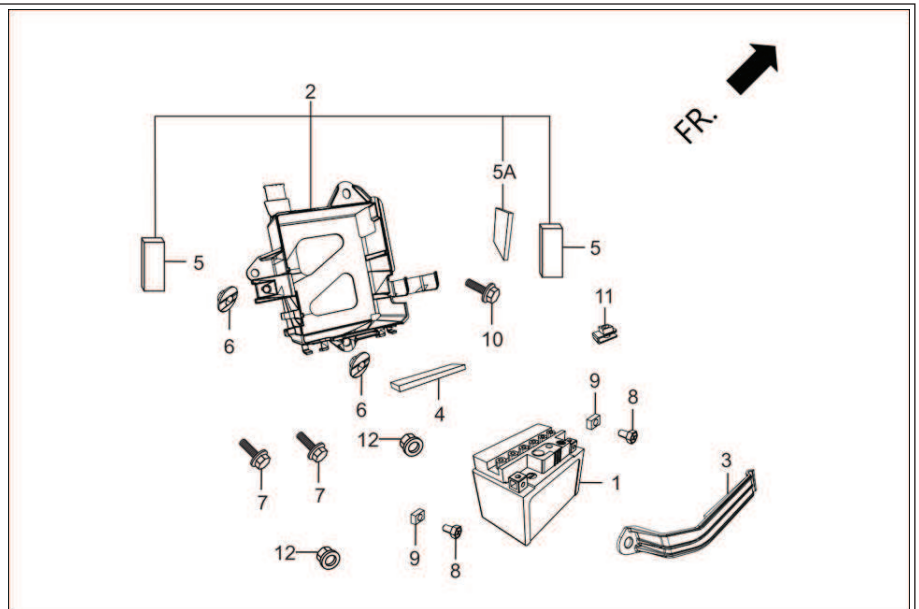
Service Item

F.R.T.

Group Number: F-24 Model :: Xpulse 200 (May,2019)

Ref No.	Part Number	Description	Req.
1	30401-AAB-A01	CUSHION CDI UNIT	1
2	30410-ABW-101	UNIT COMP. DIGITAL DC-CDI	1
3	30500-ABW-001	COIL ASSY IGN	1
4	30700-KWA-831	CAP ASSY, NOISE SUPPRESSOR	1
5	31600-ABW-001	REG RECT COMP	1
6	31700-124-000	RECTIFIER ASSY., SILICON	1
7	32100-ABW-000	HARNESS WIRE	1
8	32410-ABW-000	CABLE START MOTOR	1
9	32411-253-000	COVER, STARTING MOTOR	1
10	32413-KRY-970	TERMINAL, BAT CABLE	1
11	32601-AAB-A00	CABLE BAT EARTH	1
12	32602-ABW-000	CABLE, ENG EARTH	1
13	90111-MR5-000	BOLT, SOCKET, 5X9	2
14	91540-AAN-410	CLIP, BAND HARN	3
15	91551-AAB-100	BAND, CLAMP	1
16	95701-06018-00	BOLT FLANGE 6X18	2
17	96001-06016-00	BOLT, FLANGE SH. 6 X 16	1
18	96001-06020-00	BOLT, FLANGE, SH. 6 X 20	2
19	98200-31000	BLADE, FUSE 10A	4
20	98200-31500	BLADE, FUSE, 15A	2
21	32406-ABW-000	COVER ST.MAG.TERMINAL	1
22	32417-KTR-A10	COVER, BAT. TERMINAL	1

F-24A
BATTERY ASSY.



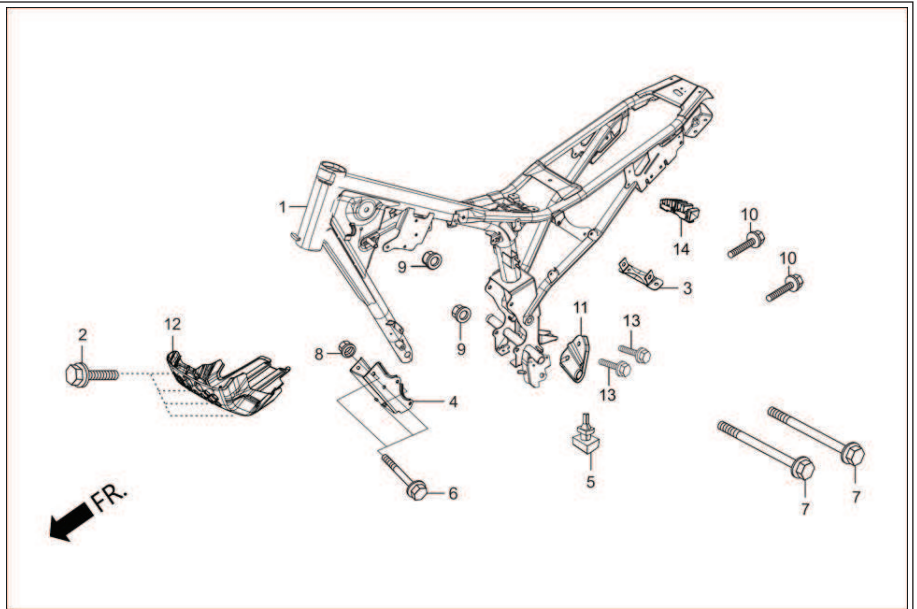
Service Item

F.R.T.

Group Number: F-24A Model :: Xpulse 200 (May,2019)

Ref No.	Part Number	Description	Req.
1	31500-KRP-801	BATTERY ASSY	1
2	1723A-ABW-000	BOX BATTERY ASSY	1
3	50327-ABW-000	BAND BATTERY ASSY	1
4	83403-ABW-0000-20	CUSHION BATTERY 1	1
5	83403-AAB-A000-21	CUSHION BATTERY 2	2
5A	83403-ABW-0000-21	CUSHION BATTERY 2	1
6	61107-KK6-000	WASHER, 6MM	2
7	90111-187-000	BOLT, FLANGE. 6 MM	2
8	90122-KVT-941	BOLT BATTERY TERMINAL	2
9	90306-KVT-941	NUT BATTERY TERMINAL	2
10	95701-06018-00	BOLT FLANGE 6X18	1
11	90311-MT3-000	NUT, CLIP, 6 MM	1
12	94050-06000	NUT, FLANGE, 6 MM	2

F-25
FRAME BODY



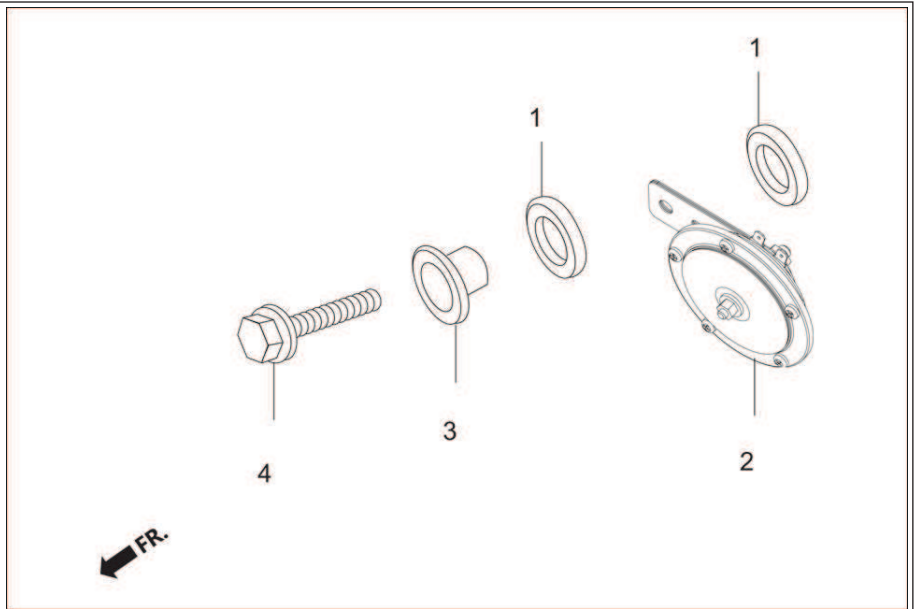
Service Item

F.R.T.

Group Number: F-25 Model :: Xpulse 200 (May,2019)

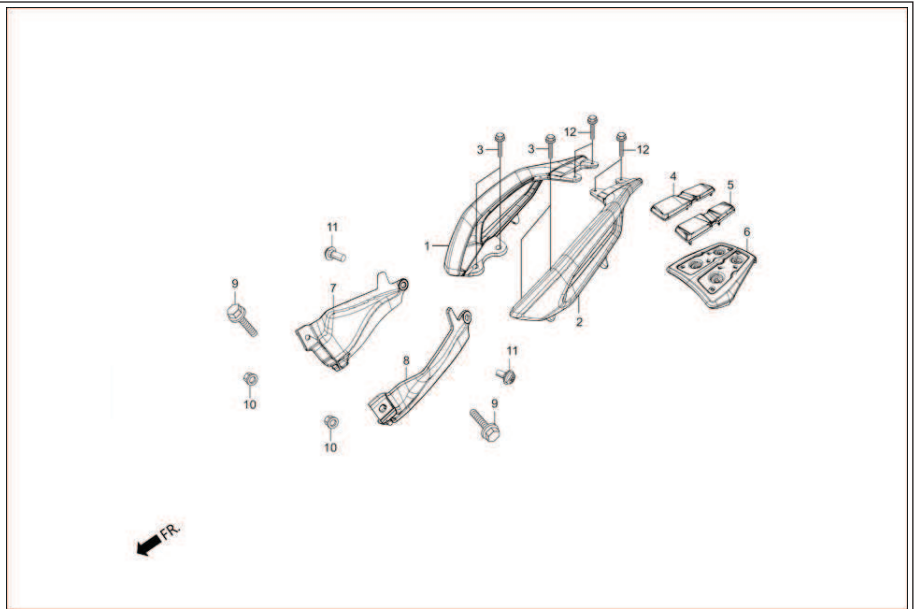
Ref No.	Part Number	Description	Req.
1	50100-ABW-100	FRAME BODY COMP	1
2	90111-187-000	BOLT, FLANGE. 6 MM	4
3	50337-ABW-200	STAY ECU	1
4	50351-ABW-000	PLATE FR ENGINE HANGER	1
5	50505-KTN-700	RUBBER, 'A' STAND STOPPER	1
6	95801-08085-00	BOLT, FLANGE, 8X85	3
7	90019-399-010	BOLT, FLANGE, 10 X 110	2
8	94050-08000	NUT, FLANGE, 8MM	3
9	94050-10000	NUT, FLANGE, 10MM	2
10	95701-06012-07	BOLT, FLANGE, 6X12	2
11	50112-ABW-000	BRKT COMP, EXHAUST MNTG	1
12	64300-ABW-100	BASH PLATE	1
13	95701-08016-00	BOLT, FLANGE, 8X16	2
14	50328-ABW-000	DAMPER TANK COMP FUEL	1

F-25A
HORN ASSY.



Service Item	F.R.T.	Group Number: F-25A Model :: Xpulse 200 (May,2019)		
Ref No.	Part Number	Description	Req.	
1	33714-KL3-620	RUBBER, TAIL LIGHT	2	
2	38110-KVE-861	HORN COMP	1	
3	38117-KFE-701	COLLAR, HORN SET	1	
4	95701-06020-07	BOLT, FLANGE, 6 X 20	1	

F-25B
GRIP REAR



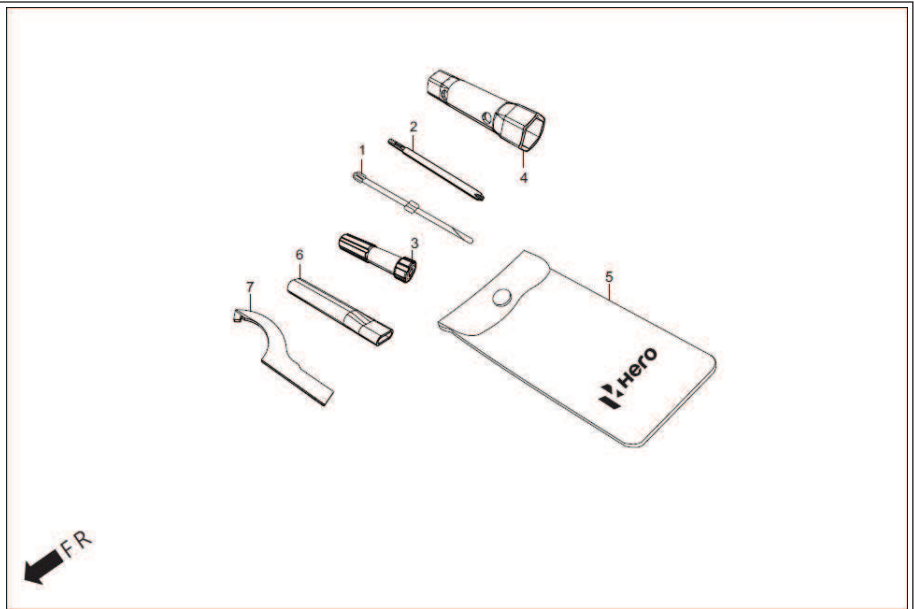
Service Item

F.R.T.

Group Number: F-25B Model :: Xpulse 200 (May,2019)

Ref No.	Part Number	Description	Req.
1	50400-ABW-100	GRIP R REAR	1
2	50450-ABW-100	GRIP L REAR	1
3	95701-06016-00	BOLT, FLANGE, 6X16	4
4	81301-ABW-000	RUBBER GRIP REAR R	1
5	81302-ABW-000	RUBBER GRIP REAR L	1
6	81300-ABW-100	LUGGAGE CARRIER CENTER	1
7	77210-ABW-000	COVER GRIP R	1
8	77220-ABW-000	COVER GRIP L	1
9	95701-08025-00	BOLT, FLANGE 8 X 25	2
10	94050-08000	NUT, FLANGE, 8MM	2
11	90101-GE0-000	SCREW, HINGE PATCH	2
12	95701-06014-00	BOLT, FLANGE, 6 X 14	4

F-26
TOOLS



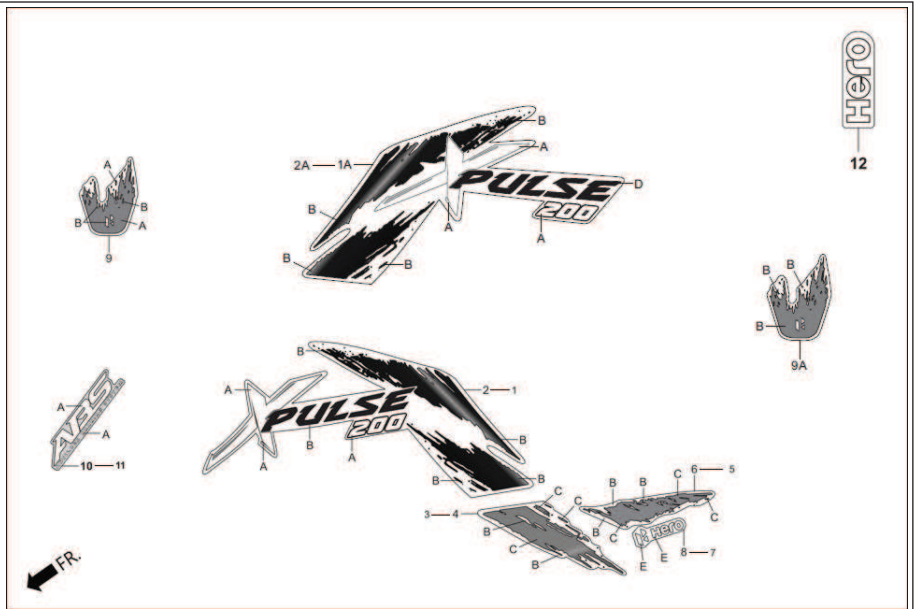
Service Item

F.R.T.

Group Number: F-26 Model :: Xpulse 200 (May,2019)

Ref No.	Part Number	Description	Req.
1	89102-538-000	SCREW, DRIVER PLUS/MINUS	1
2	89102-AAC-000	NO.3 CROSS POINT SCREW DRIVER	1
3	89103-538-000	GRIP, SCREW DRIVER	1
4	89215-AAC-000	BOX WRENCH P16X14	1
5	89216-AAD-H00	TOOL BAG	1
6	99006-AAB-A00	HANDLE PIN SPANNER	1
7	99007-AAB-A00	PIN SPANNER	1

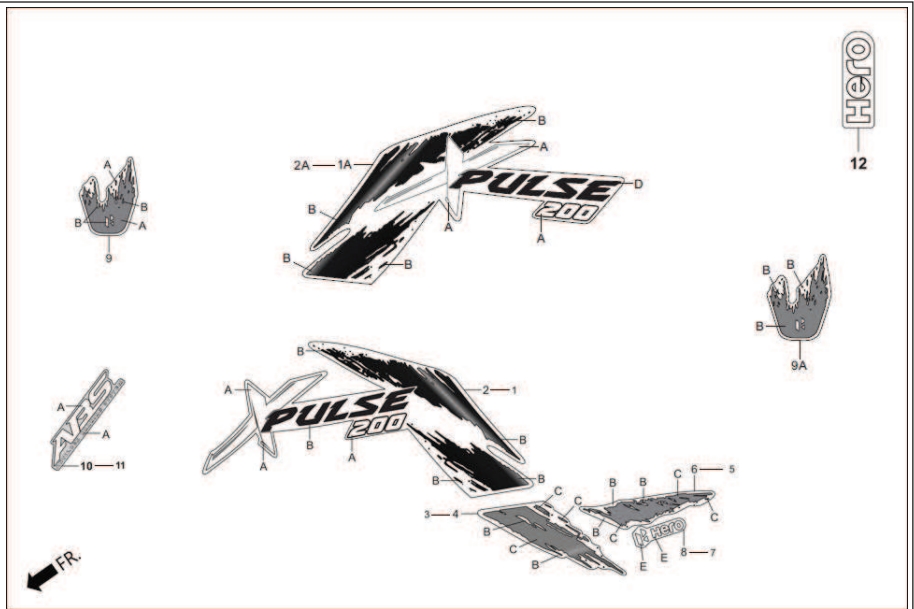
F-27 STRIPES



Service Item	F.R.T.	Group Number: F-27 Model :: Xpulse 200 (May,2019)		
Ref No.	Part Number	Description	Req.	
1	86781-ABW-100R	STRIPE R FUEL TANK (TYPE-1)	1	
	86781-ABW-100S	STRIPE R FUEL TANK (TYPE-2)	1	

SPECIFIED COLOUR CHART FOR, STRIPE R FUEL TANK				
SPECIFIED COLOUR TYPE	A	B		MAIN BODY COLOUR
1	SPORTS RED	FORCE SILVER Me.	-----	BLACK (NH-1)
2	WHITE 2	BLACK NH-1	-----	SPORTS RED (R-321)
	-----	-----	-----	PEARL FADELESS WHITE (NH-341P)

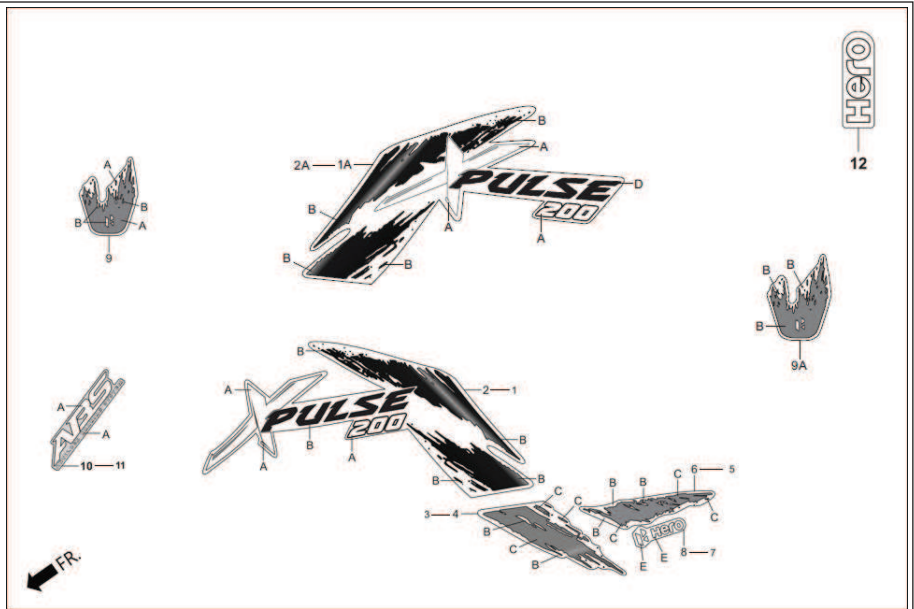
**F-27
STRIPES**



Service Item	F.R.T.	Group Number: F-27 Model :: Xpulse 200 (May,2019)		
Ref No.	Part Number	Description	Req.	
1A	86781-ABW-300T	STRIPE R FUEL TANK (TYPE-3)	1	

SPECIFIED COLOUR CHART FOR, STRIPE R FUEL TANK				
SPECIFIED COLOUR TYPE	A	B	D	MAIN BODY COLOUR
	-----	-----	-----	BLACK (NH-1)
	-----	-----	-----	SPORTS RED (R-321)
3	SPORTS RED	HEAVY GREY ME.	BLACK (NH-1)	PEARL FADELESS WHITE (NH-341P)

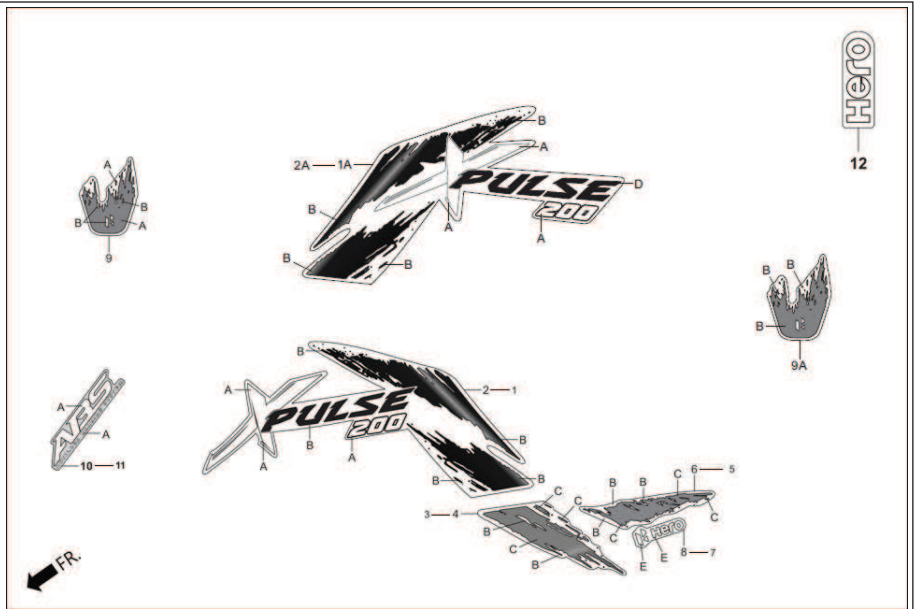
F-27 STRIPES



Service Item	F.R.T.	Group Number: F-27 Model :: Xpulse 200 (May,2019)		
Ref No.	Part Number	Description	Req.	
2	86782-ABW-100R	STRIPE L FUEL TANK (TYPE-1)	1	
	86782-ABW-100S	STRIPE L FUEL TANK (TYPE-2)	1	

SPECIFIED COLOUR CHART FOR, STRIPE L FUEL TANK				
SPECIFIED COLOUR TYPE	A	B		MAIN BODY COLOUR
1	SPORTS RED	FORCE SILVER Me.	-----	BLACK (NH-1)
2	WHITE 2	BLACK NH-1	-----	SPORTS RED (R-321)
	-----	-----	-----	PEARL FADELESS WHITE (NH-341P)

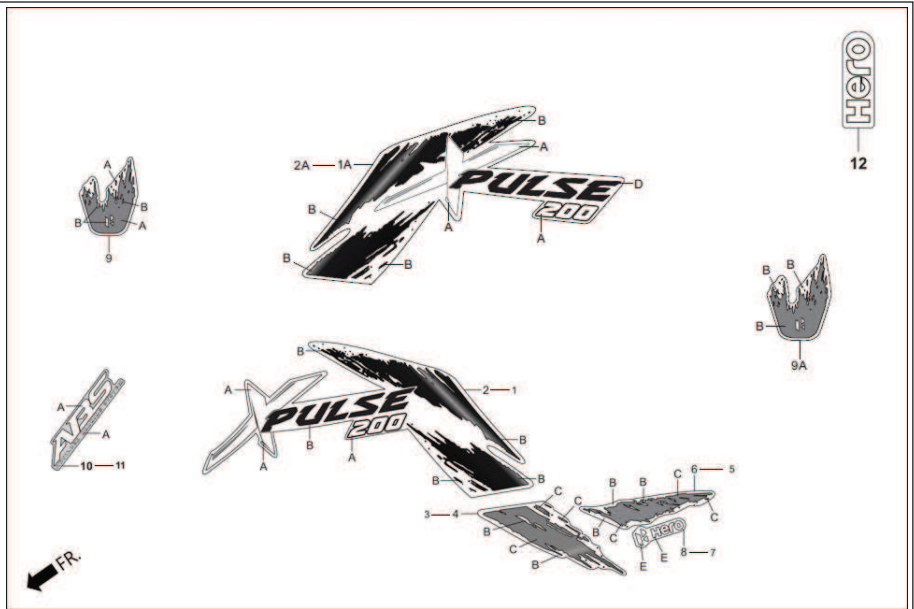
**F-27
STRIPES**



Service Item	F.R.T.	Group Number: F-27 Model :: Xpulse 200 (May,2019)		
Ref No.	Part Number	Description	Req.	
2A	86782-ABW-300T	STRIPE L FUEL TANK (TYPE-3)	1	

SPECIFIED COLOUR CHART FOR, STRIPE L FUEL TANK				
SPECIFIED COLOUR TYPE	A	B	D	MAIN BODY COLOUR
	-----	-----	-----	BLACK (NH-1)
	-----	-----	-----	SPORTS RED (R-321)
3	SPORTS RED	HEAVY GREY ME.	BLACK (NH-1)	PEARL FADELESS WHITE (NH-341P)

**F-27
STRIPES**



Service Item

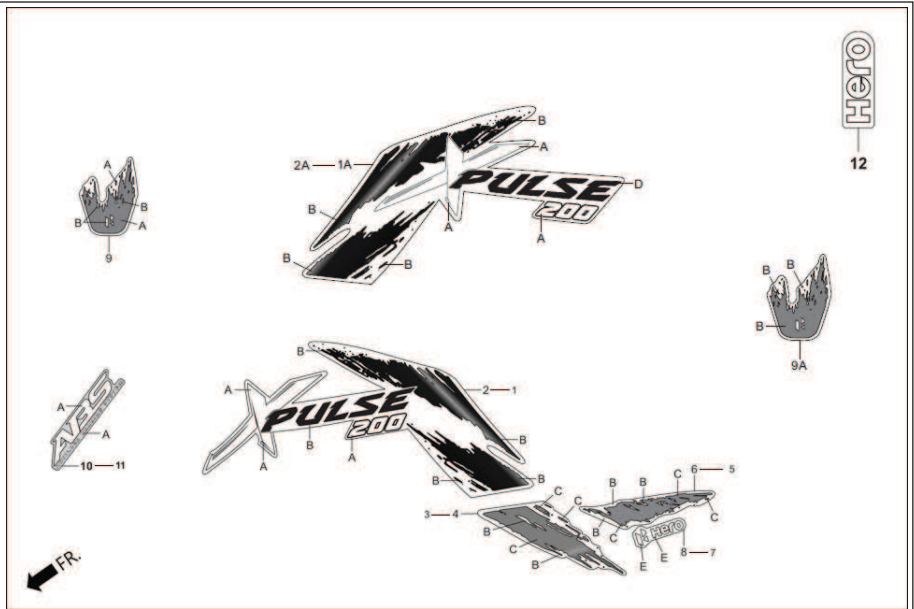
F.R.T.

Group Number: F-27 Model :: Xpulse 200 (May,2019)

Ref No.	Part Number	Description	Req.
3	86783-ABW-100R	STRIPE A SIDE COVER A, R SIDE (TYPE-1)	1
	86783-ABW-100S	STRIPE A SIDE COVER A, R SIDE (TYPE-2)	1
	86783-ABW-300T	STRIPE A, SIDE COVER A R SIDE (TYPE-3)	1

SPECIFIED COLOUR CHART FOR, STRIPE A SIDE COVER A, R SIDE			
SPECIFIED COLOUR TYPE	B	C	MAIN BODY COLOUR
1	FORCE SILVER Me.	BLACK NH-1	BLACK (NH-1)
2	BLACK NH-1	SPORTS RED	SPORTS RED (R-321)
3	HEAVY GREY ME.	PEARL FADELESS WHITE	PEARL FADELESS WHITE (NH-341P)

F-27 STRIPES



Hero
12

Service Item

F.R.T.

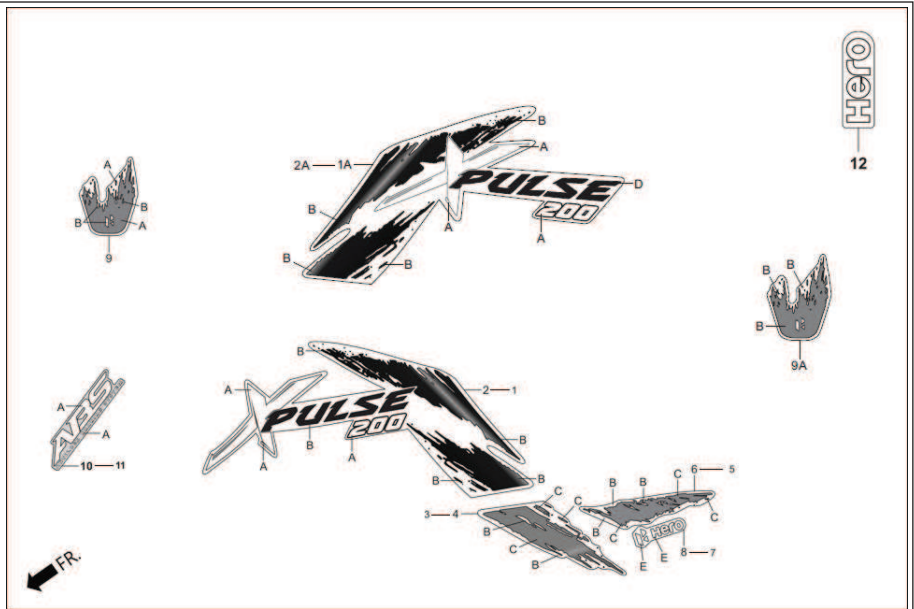
Group Number: F-27 Model :: Xpulse 200 (May,2019)

Ref No.	Part Number	Description	Req.
4	86784-ABW-100R	STRIPE A,SIDE COVER A, L SIDE (TYPE-1)	1
	86784-ABW-100S	STRIPE A,SIDE COVER A, L SIDE (TYPE-2)	1
	86784-ABW-300T	STRIPE A, SIDE COVER A L SIDE (TYPE-3)	1

SPECIFIED COLOUR CHART FOR, STRIPE A, SIDE COVER A, L SIDE

SPECIFIED COLOUR TYPE	B	C	MAIN BODY COLOUR
1	FORCE SILVER Me.	BLACK NH-1	BLACK (NH-1)
2	BLACK NH-1	SPORTS RED	SPORTS RED (R-321)
3	HEAVY GREY ME.	PEARL FADELESS WHITE	PEARL FADELESS WHITE (NH-341P)

**F-27
STRIPES**



Service Item

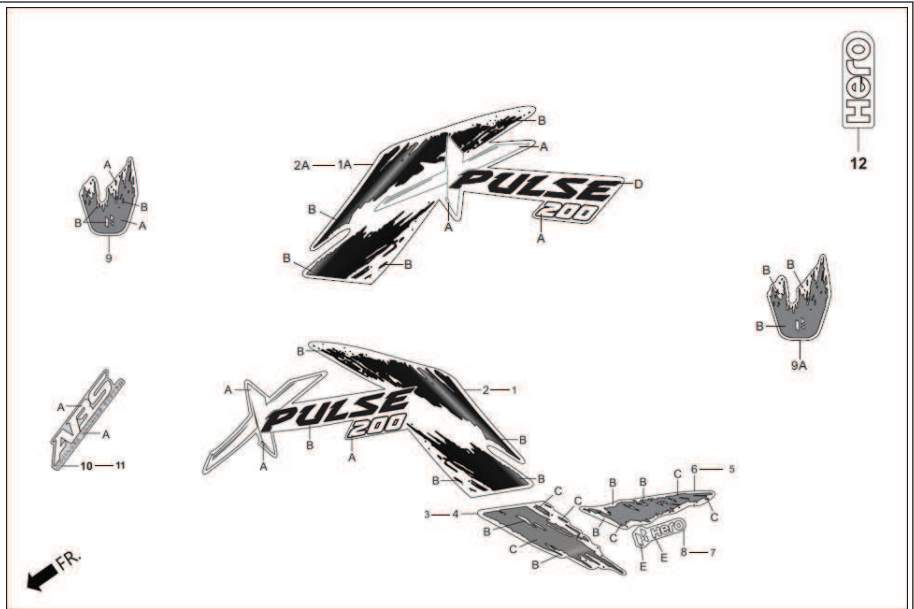
F.R.T.

Group Number: F-27 Model :: Xpulse 200 (May,2019)

Ref No.	Part Number	Description	Req.
5	86785-ABW-100R	STRIPE B SIDE COVER A, R SIDE (TYPE-1)	1
	86785-ABW-100S	STRIPE B SIDE COVER A, R SIDE (TYPE-2)	1
	86785-ABW-300T	STRIPE B, SIDE COVER A R SIDE (TYPE-3)	1

SPECIFIED COLOUR CHART FOR, STRIPE B SIDE COVER A, R SIDE			
SPECIFIED COLOUR TYPE	B	C	MAIN BODY COLOUR
1	FORCE SILVER Me.	BLACK NH-1	BLACK (NH-1)
2	BLACK NH-1	SPORTS RED	SPORTS RED (R-321)
3	HEAVY GREY ME.	PEARL FADELESS WHITE	PEARL FADELESS WHITE (NH-341P)

F-27 STRIPES



Service Item

F.R.T.

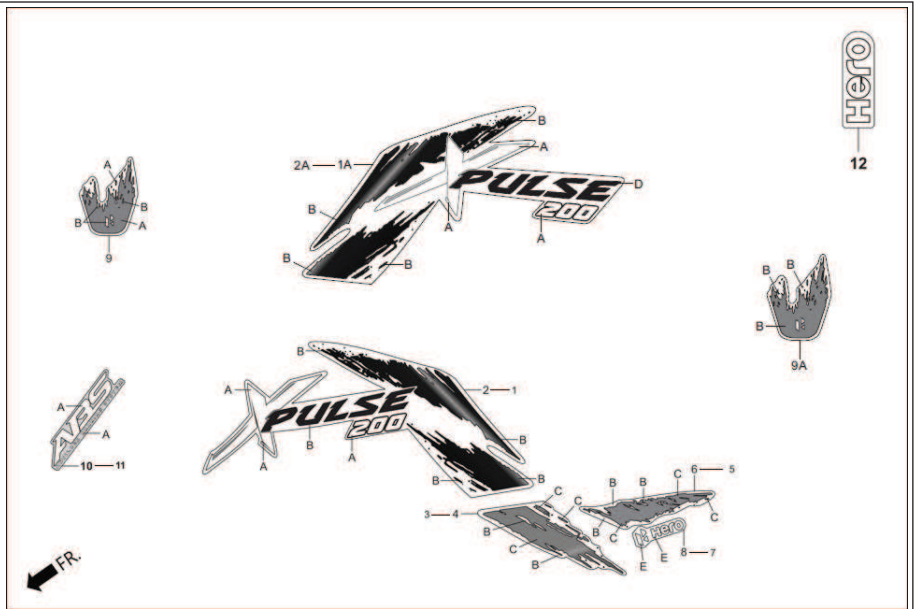
Group Number: F-27 Model :: Xpulse 200 (May,2019)

Ref No.	Part Number	Description	Req.
6	86786-ABW-100R	STRIPE B,SIDE COVER A, L SIDE (TYPE-1)	1
	86786-ABW-100S	STRIPE B,SIDE COVER A, L SIDE (TYPE-2)	1
	86786-ABW-300T	STRIPE B, SIDE COVER A LSIDE (TYPE-3)	1

SPECIFIED COLOUR CHART FOR, STRIPE B, SIDE COVER A, L SIDE

SPECIFIED COLOUR TYPE	B	C	MAIN BODY COLOUR
1	FORCE SILVER Me.	BLACK NH-1	BLACK (NH-1)
2	BLACK NH-1	SPORTS RED	SPORTS RED (R-321)
3	HEAVY GREY ME.	PEARL FADELESS WHITE	PEARL FADELESS WHITE (NH-341P)

F-27 STRIPES

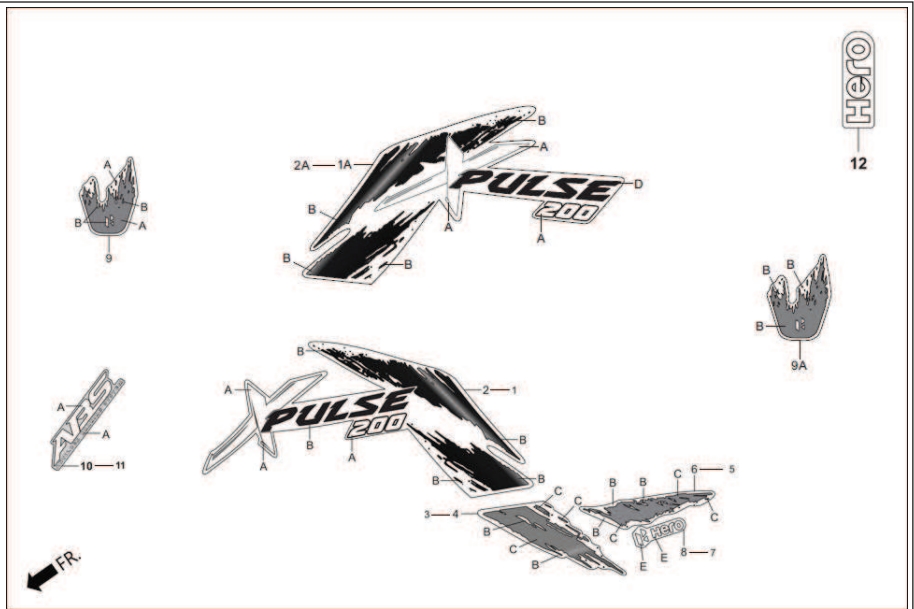


HERO
12

Service Item	F.R.T.	Group Number: F-27 Model :: Xpulse 200 (May,2019)		
Ref No.	Part Number	Description	Req.	
7	86787-ABW-100R	STRIPE C SIDE COVER A, R SIDE (TYPE-1)	1	
	86787-ABW-100S	STRIPE C SIDE COVER A, R SIDE (TYPE-2)	1	

SPECIFIED COLOUR CHART FOR, STRIPE C SIDE COVER A, R SIDE		
SPECIFIED COLOUR TYPE	E	MAIN BODY COLOUR
1	BLACK NH-1	BLACK (NH-1)
2	WHITE 2	SPORTS RED (R-321)
2	WHITE 2	PEARL FADELESS WHITE (NH-341P)

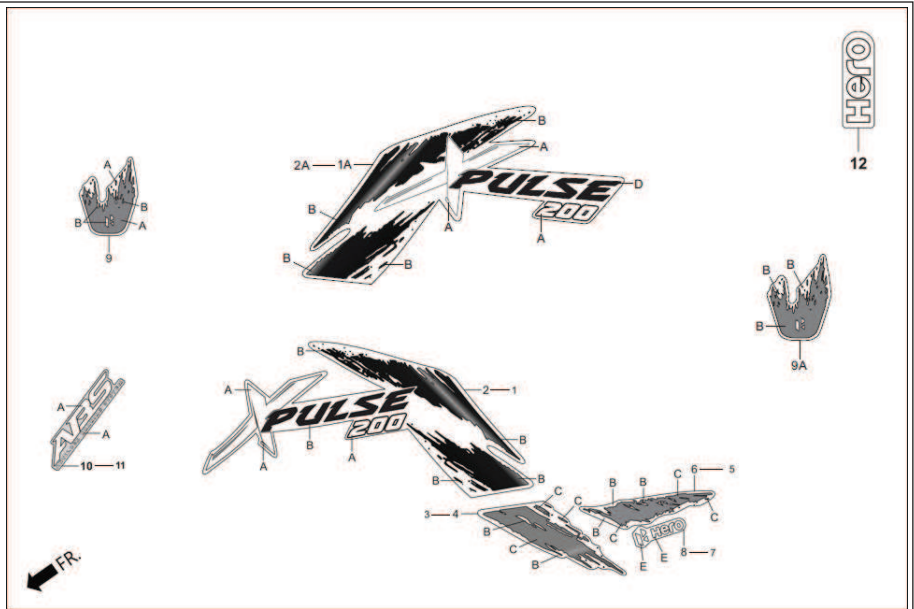
F-27 STRIPES



Service Item	F.R.T.	Group Number: F-27 Model :: Xpulse 200 (May,2019)		
Ref No.	Part Number	Description	Req.	
8	86788-ABW-100R	STRIPE C SIDE COVER A, L SIDE (TYPE-1)	1	
	86788-ABW-100S	STRIPE C SIDE COVER A, L SIDE (TYPE-2)	1	

SPECIFIED COLOUR CHART FOR, STRIPE C SIDE COVER A, L SIDE		
SPECIFIED COLOUR TYPE	E	MAIN BODY COLOUR
1	BLACK NH-1	BLACK (NH-1)
2	WHITE 2	SPORTS RED (R-321)
2	WHITE 2	PEARL FADELESS WHITE (NH-341P)

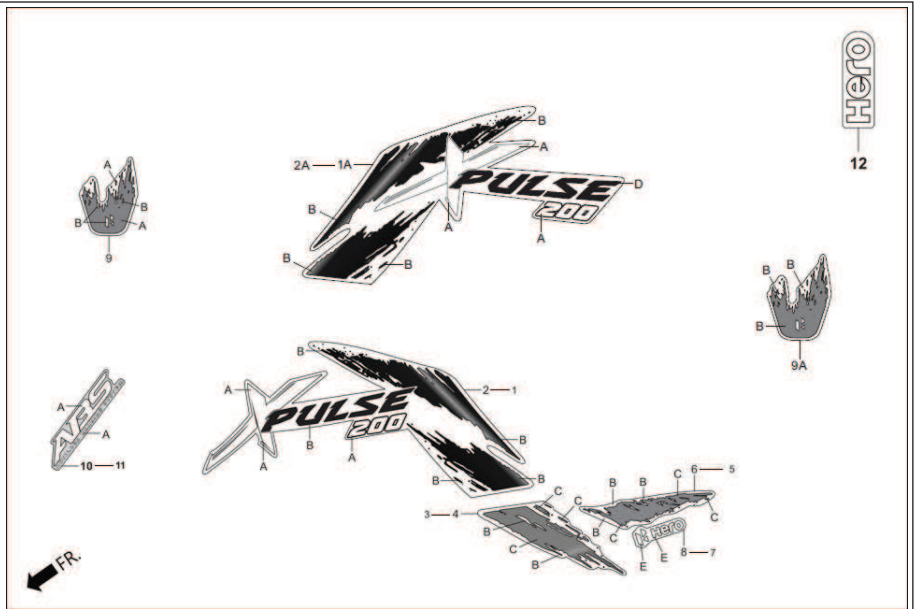
F-27 STRIPES



Service Item	F.R.T.	Group Number: F-27 Model :: Xpulse 200 (May,2019)		
Ref No.	Part Number	Description	Req.	
9	86776-ABW-100R	STRIPE FR FENDER (TYPE-1)	1	
	86776-ABW-100S	STRIPE FR FENDER (TYPE-2)	1	

SPECIFIED COLOUR CHART FOR, STRIPE FR FENDER			
SPECIFIED COLOUR TYPE	A	B	MAIN BODY COLOUR
1	FORCE SILVER ME.	TRANSPARENT	BLACK (NH-1)
2	SPORTS RED	TRANSPARENT	SPORTS RED (R-321)
	-----	-----	PEARL FADELESS WHITE (NH-341P)

**F-27
STRIPES**

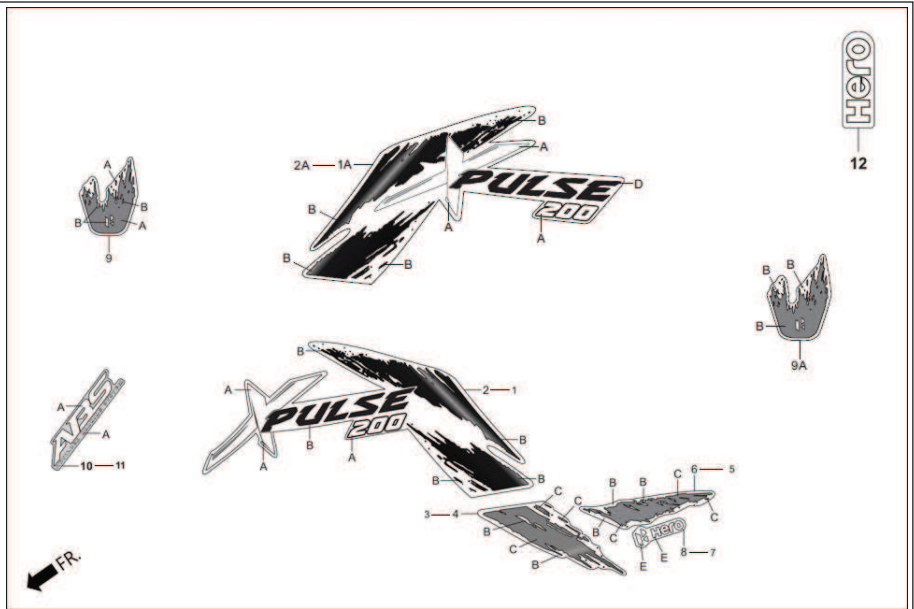


Hero
12

Service Item	F.R.T.	Group Number: F-27 Model :: Xpulse 200 (May,2019)		
Ref No.	Part Number	Description	Req.	
9A	86776-ABW-300T	STRIPE FR FENDER (TYPE-3)	1	

SPECIFIED COLOUR CHART FOR, STRIPE FR FENDER			
SPECIFIED COLOUR TYPE	B	FINISH	MAIN BODY COLOUR
	-----	-----	BLACK (NH-1)
	-----	-----	SPORTS RED (R-321)
3	HEAVY GREY ME.	GLOSS	PEARL FADELESS WHITE (NH-341P)

**F-27
STRIPES**

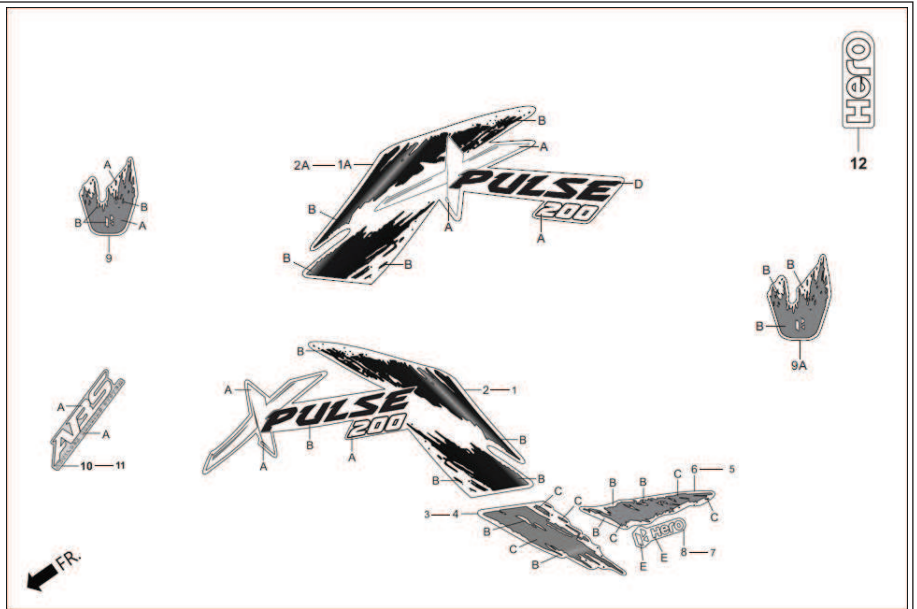


HERO
12

Service Item	F.R.T.	Group Number: F-27 Model :: Xpulse 200 (May,2019)		
Ref No.	Part Number	Description	Req.	
10	86798-ABW-100R	MARK ABS L SIDE (TYPE-1)	1	

SPECIFIED COLOUR CHART FOR, MARK ABS FORK ASSY L FR		
SPECIFIED COLOUR TYPE	A	MAIN BODY COLOUR
1	FORCE SILVER	BLACK (NH-1)
		SPORTS RED (R-321)
		PEARL FADELESS WHITE (NH-341P)

**F-27
STRIPES**

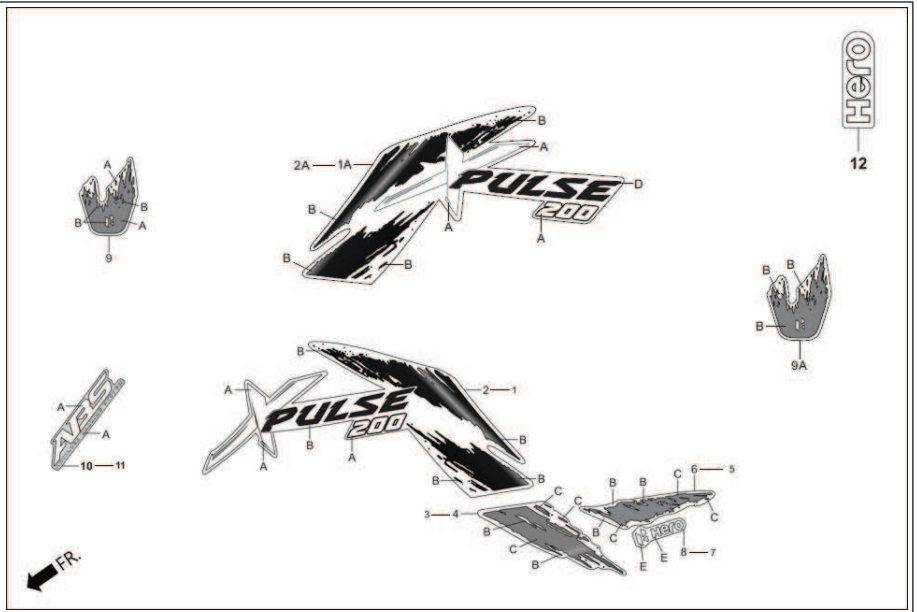


HERO
12

Service Item	F.R.T.	Group Number: F-27 Model :: Xpulse 200 (May,2019)		
Ref No.	Part Number	Description	Req.	
11	86797-ABW-100R	MARK ABS R SIDE (TYPE-1)	1	

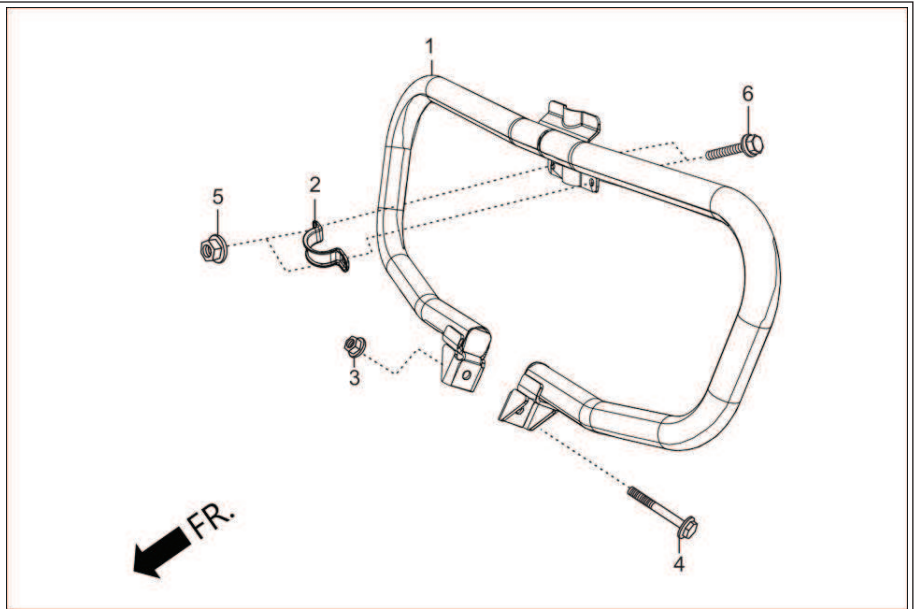
SPECIFIED COLOUR CHART FOR, MARK ABS FORK ASSY R FR		
SPECIFIED COLOUR TYPE	A	MAIN BODY COLOUR
1	FORCE SILVER	BLACK (NH-1)
		SPORTS RED (R-321)
		PEARL FADELESS WHITE (NH-341P)

**F-27
STRIPES**



Service Item	F.R.T.	Group Number: F-27 Model :: Xpulse 200 (May,2019)			
		Ref No.	Part Number	Description	Req.
		12	86785-ABW-000R	MARK HERO TAIL LGHT COVER (TYPE-1)	1

F-28
GUARD FRONT



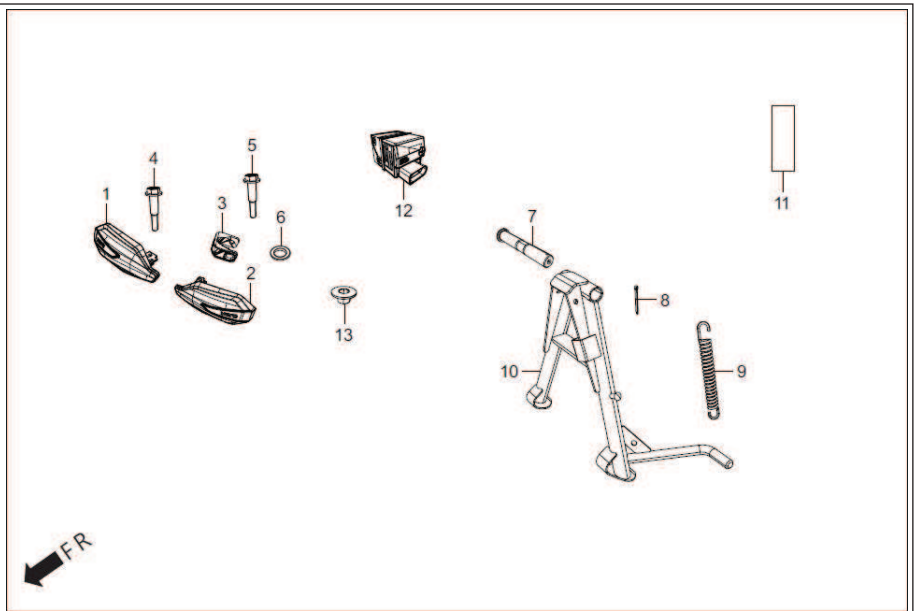
Service Item

F.R.T.

Group Number: F-28 Model :: Xpulse 200 (May,2019)

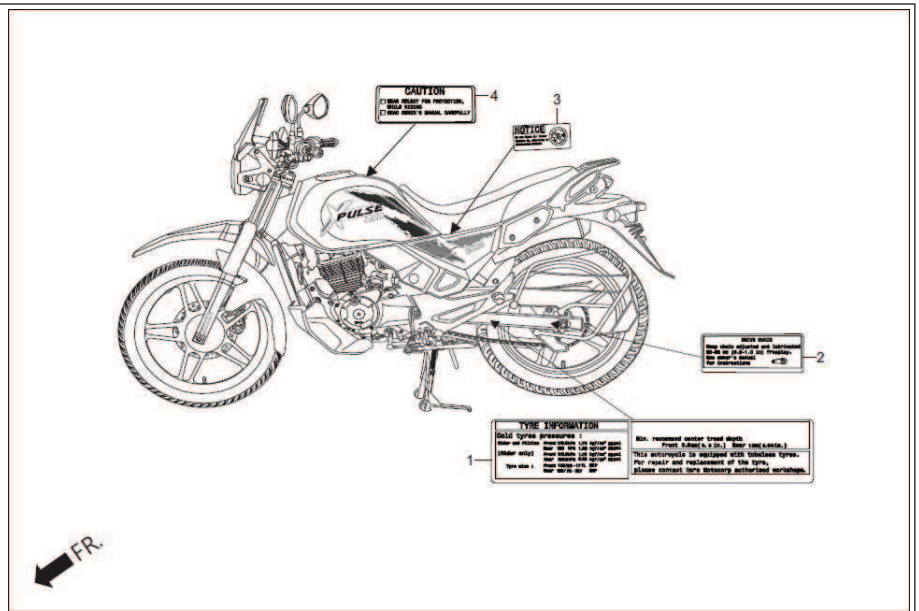
Ref No.	Part Number	Description	Req.
1	50803-ABW-100	GUARD ENGINE	1
2	50805-ABW-100	U CLAMP, ENGINE GUARD	1
3	94050-08000	NUT, FLANGE, 8MM	1
4	95801-08095-00	BOLT, FLANGE, 8 X 95	1
5	94050-06000	NUT, FLANGE, 6 MM	2
6	95701-06012-07	BOLT, FLANGE, 6X12	2

F-29
HAND GUARD/STAND/LUGGAGE BOX
(OPTIONAL)



Service Item	F.R.T.	Group Number: F-29 Model :: Xpulse 200 (May,2019)			
Ref No.	Part Number	Description	Req.		
1	53181-ABW-100X	HAND GUARD RH (PIGMENTED BLACK)	1		
	53181-ABW-100Z	HAND GUARD RH (PIGMENTED WHITE)	1		
2	53182-ABW-100X	HAND GUARD LH (PIGMENTED BLACK)	1		
	53182-ABW-100Z	HAND GUARD LH (PIGMENTED WHITE)	1		
3	53184-AAM-410	HAND GUARD STOPPER LH	1		
4	90113-AAM-410	BOLT HNDL. LEVER PIVOT	1		
5	90114-AAM-400	BOLT LEVER PIVOT	1		
6	94102-10000	WASHER, PLAIN, 10MM	1		
7	50526-KCT-690	SHAFT, MAIN STAND PIVOT	1		
8	94201-30300	PIN, SPLIT 3 X 30MM	1		
9	95014-71702	SPRING 'G' MAIN STAND	1		
10	50500-ABW-100	STAND COMP MAIN	1		
11	81134-ABW-000	LUGGAGE BOX LH	1		
12	57111-ABW-100	HECU MINI MAB SPD	1		
13	90501-KCC-870	COLLAR, FR. FENDER SET	1		

F-30
CAUTION LABEL



Service Item	F.R.T.	Group Number: F-30 Model :: Xpulse 200 (May,2019)		
Ref No.	Part Number	Description	Req.	
1	87505-ABW-100	LABEL TYRE	1	
2	87507-ABW-100	LABEL DRIVE CHAIN	1	
3	87509-AAP-000	LABEL AIR/C ELEMENT NOTICE	1	
4	87560-AAG-C00	MARK CAUTION	1	

PARTS INDEX

PART NO	BLOCK	PART NO	BLOCK
1723A-ABW-000	F-24A	14711-ABF-000	E-1C
1831A-ABW-100	F-14	14721-ABF-000	E-1C
3310B-ABW-001	F-1	14751-ABF-000	E-1C
3340B-ABW-001	F-21	14771-ABF-000	E-1C
3345B-ABW-001	F-21	14775-ABF-000	E-1C
3360B-ABW-001	F-21A	14781-MA6-000	E-1C
3365B-ABW-001	F-21A	15100-ABF-000	E-6
3372B-ABW-001	F-20	15130-KRM-840	E-6
5061A-ABW-100	F-15	15421-KTN-900	E-6
5064A-ABW-100	F-15	15430-KSP-910	E-6
5072A-ABW-200	F-15	15436-KRM-840	E-6
5073A-ABW-200	F-15	15441-KCS-650	E-6
06435-AAB-A00	F-8A	15446-107-000	E-6
06451-GE2-405L	F-4B	15459-AAB-A00	E-6
06451-MA7-405	F-8A	15650-KVN-970	E-6
06455-GCR-016L	F-4B	15772-KTN-900	F-13A
11100-ABF-000	E-3B	16001-ABW-000	E-11
11108-KTN-900	E-3B	16002-AAB-A00	E-11
11200-ABF-000	E-3B	16003-AAB-A00	E-11
11215-KSP-910	E-3B	16004-ABW-100	E-11
11216-AAB-A00	E-3B	16005-ABW-000	E-11
11217-KRM-840	E-3B	16006-ABW-000	E-11
11330-AAB-A00	E-3	16007-AAB-A00	E-11
11341-AAB-A00	E-3A	16008-ABW-000	E-11
11360-ABW-100	E-3A	16008-AAW-001	E-11
11365-ABW-100	E-3A	16011-AAB-A00	E-11
11393-KWK-900	E-3	16012-ABW-000	E-11
11395-KWK-900	E-3A	16013-AAB-A00	E-11
12100-ABF-000	E-1B	16018-AAB-A00	E-11
12191-ABF-000	E-1B	16019-AAB-A00	E-11
12195-AAB-A00	E-1B	16020-ABW-100	E-11
12196-AAB-A00	E-1A	16021-AAB-A00	E-11
12200-ABF-000	E-1A	16022-AAB-A00	E-11
12209-GB4-685	E-1C	16023-AAB-A00	E-11
12210-ABF-000	E-1A	16023-AAW-001	E-11
12212-ABF-000	E-1A	16024-AAB-A00	E-11
12214-AAB-A00	E-1A	16024-AAW-001	E-11
12251-ABF-000	E-1A	16026-AAB-A00	E-11
12310-ABW-000	E-1	16027-AAB-A00	E-11
12391-KRM-840	E-1	16028-ABW-000	E-11
12396-KRM-840	E-1	16029-AAB-A00	E-11
12397-KSP-910	E-1	16029-AAW-001	E-11
12398-KSP-910	E-1	16031-AAB-A00	E-11
13000-ABF-000	E-7	16032-AAB-A00	E-11
13011-ABF-001	E-7	16033-AAW-001	E-11
13101-ABF-000	E-7	16033-ABW-000	E-11
13111-ABF-000	E-7	16041-AAB-A00	E-11
13201-ABF-000	E-7	16042-AAB-A00	E-11
13411-AAB-A00	E-7	16043-AAB-A00	E-11
13420-AAB-A00	E-7	16044-AAB-A00	E-11
13421-ABF-000	E-7	16045-AAB-A00	E-11
13427-AAB-A00	E-7	16046-AAB-A00	E-11
13538-AAB-A00	E-7	16047-AAB-A00	E-11
14100-ABF-000	E-1C	16048-AAB-A00	E-11
14311-AAB-A00	E-7	16049-AAB-A00	E-11
14321-AAB-A00	E-2	16050-AAB-A00	E-11
14401-AAB-A00	E-2	16051-ABW-000	E-11
14430-ABF-000	E-1C	16052-AAB-A00	E-11
14451-ABF-000	E-1C	16053-AAB-A00	E-11
14510-AAB-A00	E-2	16054-AAB-A00	E-11
14515-KRM-840	E-2	16056-AAB-A00	E-11
14520-AAB-A0099	E-2	16057-AAB-A00	E-11
14560-KSP-910	E-2	16058-AAB-A00	E-11
14610-AAB-A00	E-2	16059-AAB-A00	E-11

PART NO	BLOCK	PART NO	BLOCK
16071-AAB-A00	E-11	17950-ABW-000	F-3B
16072-AAW-001	E-11	17951-AAB-A00	F-3B
16081-AAB-A00	E-11	18291-KRY-930	F-14
16082-AAB-A00	E-11	18292-KTP-900	F-14
16083-AAB-A00	E-11	18293-KPK-900	F-14
16084-ABW-000	E-11	18310-ABW-100	F-14
16085-AAB-A00	E-11	18312-ABW-100	F-14
16086-AAB-A00	E-11	18313-ABW-100	F-14
16087-AAB-A00	E-11	18320-ABW-100	F-14
16088-ABW-000	E-11	18345-MBT-610	F-14
16100-ABW-100	E-11	18357-ABW-100	F-14
16155-AAB-A00	E-11	18371-ABW-100	F-14
16165-AAB-A00	E-11	18391-ABW-100	F-14
16173-001-000	F-11	18421-ABA-000	F-14
16200-AAB-A00	E-11A	18442-ABA-000	F-14
16217-KSP-910	E-11A	18600-KSP-901	F-13A
16222-KSP-910	E-11A	18601-ABW-000	F-13A
16222-MV4-300	F-13	18602-ABW-000	F-13A
16950-ABW-001	F-11	18640-ABW-000	E-11A
16952-ABW-001	F-11	18651-AAM-100	F-13
16958-397-770	F-11	18655-ABW-000	F-13A
16959-HB3-000	F-11	19052-AAB-A00	F-4A
16967-GA6-671	F-11	19052-KV0-000	F-12
17199-AAC-200	F-11	19052-KV0-000	F-13
17208-ABW-000	F-13	19509-GE2-003	F-13
17210-ABW-000	F-13	19509-KFN-850	F-13A
17212-ABW-000	F-13	22100-KTN-900	E-4
17214-ABW-000	F-13	22115-KSP-910	E-4
17216-ABW-000	F-13	22120-KRM-840	E-4
17221-KA4-300	F-14	22201-KPM-850	E-4
17225-ABW-000	F-13	22201-MR8-000	E-4
17230-AAH-100	F-11A	22321-KPS-900	E-4
17253-ABW-000	F-13	22355-KRM-840	E-4
17365-ABW-000	F-13A	22361-KPK-900	E-4
17369-AAM-100	F-13	22366-KSP-910	E-4
17371-ABW-000	F-13	22401-ABF-000	E-4
17410-AAM-001	F-11A	22810-KRM-B00	E-3
17410-ABW-000	F-13	22815-428-000	E-3
17411-AAB-A00	F-11A	22821-KRM-840	E-3
17420-AAD-A00	F-11A	22870-ABW-100	F-3
17421-AAB-500	F-11A	22871-KTN-700	F-3
17430-AAE-100	F-11A	23121-KVE-860	E-8
17431-AAH-A00	F-11A	23210-KVN-900	E-8
17460-AAE-10099	F-11A	23220-AAB-A00	E-8
17500-ABW-100R	F-11	23421-KVN-900	E-8
17500-ABW-100S	F-11	23427-KRM-840	E-8
17500-ABW-100T	F-11	23427-KRM-840	E-9
17547-ABW-100	F-11	23431-AAB-A00	E-8
17611-KRY-970	F-11	23432-KRM-840	E-8
17613-KCC-900	F-11	23441-AAB-A00	E-8
17620-AAK-H01	F-23	23451-AAB-A00	E-8
17622-GB7-900	F-13A	23461-AAB-A00	E-8
17646-MN8-700	F-11A	23471-AAB-A00	E-8
17670-AAB-A00	F-11A	23472-KSP-910	E-8
17671-ABW-000	F-11A	23481-AAB-A00	E-8
17681-ABW-000	F-11	23491-AAB-A00	E-8
17690-ABW-000	F-11A	23492-KSP-910	E-8
17691-ABW-000	F-11A	23501-AAB-A00	E-8
17693-ABW-000	F-11A	23801-KRY-970	E-8
17694-ABW-000	F-11A	23811-KR3-600	E-8
17695-AAM-000	F-11A	24211-KRM-840	E-10
17696-ABW-000	F-11A	24212-KRM-840	E-10
17697-AAM-000	F-11A	24241-KRM-840	E-10
17910-ABW-000	F-3B	24242-KRM-840	E-10

PART NO	BLOCK	PART NO	BLOCK
24301-KSP-910	E-10	33402-AAS-001	F-21A
24410-KSP-860	E-10	33405-AAN-40099	F-21
24430-KTN-900	E-10	33408-AAR-001	F-21
24436-KSP-910	E-10	33408-AAR-001	F-21A
24610-KSP-910	E-10	33451-AAR-001	F-21
24627-KRM-840	E-10	33451-AAR-001	F-21A
24651-KSP-910	E-10	33452-AAS-001	F-21
24652-KSP-910	E-10	33452-AAS-001	F-21A
24700-ABW-000	F-17	33455-AAN-40099	F-21
24701-ABW-000	F-17	33491-ABW-001	F-21
24781-KR3-770	F-17	33491-ABW-001	F-21A
28110-KTN-900	E-9	33496-ABW-001	F-21
28120-KTR-A00A	E-9	33496-ABW-001	F-21A
28131-KTN-900	E-9	33605-AAN-401	F-21A
28132-KN6-930	E-9	33619-459-840A	F-14
28133-KRM-850	E-9	33655-AAN-40099	F-21A
28211-AAB-A00	E-9	33700-ABW-001	F-22
28215-KRM-840	E-9	33714-KL3-620	F-25A
28221-KTN-900	E-9	33721-ABW-001	F-20
28223-KRM-840	E-9	33722-AAG-00099	F-20
28231-AAB-A00	E-9	33723-AAG-00099	F-20
28241-AAK-H00	F-17A	33729-MCZ-003	F-20
28251-KTN-900	E-9	33741-AAS-001	F-6A
28261-KRM-840	E-9	33743-AAR-001	F-20
28282-KRM-840	E-9	34930-AAC-700	F-21
28293-333-000	F-17A	34930-AAC-700	F-21A
28300-AAK-H00	F-17A	35010-ABW-001	F-23
28311-KC5-000	F-17A	35100-AAK-201	F-23
28333-300-000	F-15	35106-KTC-900	F-6
28333-KK0-000	F-17A	35121-ABW-001	F-23
30401-AAB-A01	F-24	35122-ABW-001	F-23
30410-ABW-101	F-24	35130-AAB-000	F-18
30500-ABW-001	F-24	35140-AAB-001	F-23
30700-KWA-831	F-24	35150-AAB-A01	F-3B
31100-ABW-001	E-5	35200-ABW-001	F-3B
31110-AAM-011	E-5	35330-413-003	F-3B
31120-ABW-001	E-5	35340-MA5-670L	F-4A
31200-KSP-901	E-5A	35350-KVE-930A	F-23
31201-KPT-A01	E-5A	35357-KVN-970	F-8
31204-KG8-004	E-5A	35751-KPH-900	E-5A
31205-KTC-921	E-5A	35752-KRM-840	E-5A
31206-KPH-881	E-5A	35759-AAB-000	E-5A
31207-MBE-008	E-5A	35850-KR3-870	F-23
31300-AAT-001	F-20	35856-KBG-007	F-23
31301-AAW-001	F-20	37100-ABW-101	F-2
31500-KRP-801	F-24A	37101-ABW-001	F-2
31600-ABW-001	F-24	37202-ABW-001	F-2
31700-124-000	F-24	37203-ABW-001	F-2
31916-KRM-84099	E-1A	37210-ABW-101	F-2
32100-ABW-000	F-24	37610-ABW-001	F-2
32111-KSP-910	E-5	37611-ABW-001	F-2
32161-404-000	F-3B	37612-ABW-001	F-2
32401-ABW-000	F-23	37620-ABW-001	F-2
32406-ABW-000	F-24	37800-ABW-001	F-11
32410-ABW-000	F-24	38110-KVE-861	F-25A
32411-253-000	F-24	38117-KFE-701	F-25A
32413-KRY-970	F-24	38520-ABW-100	F-7
32417-KTR-A10	F-24	38521-ABW-100	F-4A
32601-AAB-A00	F-24	40510-ABW-100	F-18A
32602-ABW-000	F-24	40530-ABW-101	F-16
33301-KVE-900	F-20	40543-ABW-100	F-16
33401-AAR-001	F-21	40546-ABW-100	F-16
33401-AAR-001	F-21A	40550-AAB-A00	F-18A
33402-AAS-001	F-21	41201-ABW-100	F-9

PART NO	BLOCK	PART NO	BLOCK
41241-KSP-900	F-9	45215-KA3-732L	F-4B
42301-AAB-A00	F-9	45216-KW6-901L	F-4B
42303-AAB-A00	F-9	45216-166-006L	F-4B
42311-AAB-A00	F-9	45250-KRY-901	F-4B
42601-ABW-100	F-9	45251-KRY-971	F-7
42603-ABW-100	F-9	45252-AAB-A00	F-7
42611-KRY-930	F-9	45290-KGB-611L	F-4B
42620-KTR-700	F-7	45504-410-003L	F-4A
42620-AAR-000	F-9	45510-KRY-972	F-4A
42701-ABW-100	F-9	45512-MA6-006	F-4A
42711-ABW-103	F-9	45513-HA2-006L	F-4A
42712-ABW-103	F-9	45513-ABW-100	F-8
42713-ABW-100	F-9	45517-166-000	F-3B
43107-MA7-006	F-8A	45517-166-000	F-4A
43114-KW6-842L	F-4B	45520-GE2-006	F-4A
43114-KRY-971	F-8A	45520-ABW-100	F-8
43115-ABW-100	F-8A	45521-K21-901	F-4A
43150-ABW-100	F-8A	45521-ABW-100	F-8
43155-KRY-970	F-8	45530-471-831L	F-4A
43190-ABW-100	F-8A	46182-MEL-D21	F-8
43215-KGH-901	F-8A	46500-ABW-000	F-15A
43251-KVN-971	F-9	46504-KV6-702	F-8
43301-AAB-A00	F-4A	46514-ABW-000	F-15A
43310-ABW-100	F-8	46518-ABW-000	F-15A
43352-568-003L	F-4B	46600-ABW-000	F-15A
43353-461-771L	F-4B	50100-ABW-100	F-25
43353-461-771L	F-8A	50112-ABW-000	F-25
43504-MB2-006	F-8	50151-AAB-A00	F-11A
43510-ABW-000	F-8	50158-ABW-000	F-3B
43511-ABW-100	F-8	50190-ABW-000	F-20
43512-ABW-100	F-8	50207-ABW-100	F-4A
43514-KS6-701	F-8	50296-ABW-000	F-15
43520-MJ6-315	F-8	50301-KTR-900	F-6
43530-MV9-006	F-8	50327-ABW-000	F-24A
44301-AAB-A00	F-7	50328-ABW-000	F-25
44601-ABW-100	F-7	50337-ABW-200	F-25
44603-ABW-100	F-7	50351-ABW-000	F-25
44701-ABW-100	F-7	50400-ABW-100	F-25B
44711-ABW-103	F-7	50450-ABW-100	F-25B
44712-ABW-103	F-7	50500-ABW-100	F-18
44713-ABW-100	F-7	50500-ABW-100	F-29
44802-AAB-A00	F-7	50505-KTN-700	F-25
45107-MN5-006L	F-4B	50526-KCT-690	F-18
45108-ML4-006L	F-4B	50526-KCT-690	F-29
45109-GE2-006L	F-4B	50530-ABW-100	F-18
45111-MAJ-G41	F-8A	50600-ABW-100	F-15
45126-ABW-100	F-4A	50617-AAS-000	F-15
45128-ABW-000	F-4A	50619-AAS-000	F-15
45131-GE2-006L	F-4B	50638-ABW-000	F-15
45131-GZ0-006L	F-4B	50639-ABW-000	F-15
45131-GE2-006L	F-8A	50644-AAS-000	F-15
45131-GZ0-006L	F-8A	50647-ABW-100	F-15
45132-166-016L	F-4B	50648-ABW-100	F-15
45132-166-016L	F-8A	50660-ABW-100	F-15
45133-MA3-006L	F-4B	50661-AAS-000	F-15
45133-MA3-006L	F-8A	50662-ABW-100	F-15A
45154-ABW-000	F-4A	50670-ABW-100	F-15
45156-ABW-100	F-4A	50700-ABW-100	F-15
45157-ABW-100	F-4A	50701-ABW-100	F-15
45201-GT4-691L	F-4B	50702-ABW-100	F-15
45203-MG3-016L	F-4B	50718-AAS-000	F-15
45203-MCC-006	F-8A	50720-ABW-200	F-15
45209-GE2-006L	F-4B	50730-ABW-200	F-15
45210-KR3-871L	F-4B	50803-ABW-100	F-28

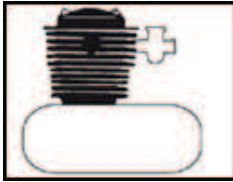
PART NO	BLOCK	PART NO	BLOCK
50805-ABW-100	F-28	64315-ABW-100	F-1A
51103-AAB-A00	F-18A	75581-673-000	F-12
51400-ABW-101	F-6A	77156-ABW-000	F-10
51401-ABW-101	F-6A	77200-ABW-100	F-10
51403-ABW-101	F-6A	77209-KAG-900	F-1A
51410-ABW-101	F-6A	77210-ABW-000	F-25B
51412-ABW-101	F-6A	77220-KY6-000	F-10
51413-ABW-101	F-6A	77220-ABW-000	F-25B
51419-AAB-A02	F-6A	77230-ABW-000	F-12
51420-ABW-101	F-6A	77239-AAL-H00	F-23
51423-AAB-A02	F-6A	77240-ABW-000	F-12
51432-ABW-001	F-6A	77244-ABW-000	F-10
51437-ABW-101	F-6A	77267-KTR-900	F-11
51440-ABW-101	F-6A	80100-ABW-100	F-20
51500-ABW-101	F-6A	80110-ABW-100	F-20
51520-ABW-101	F-6A	80123-KCC-870	F-10
51601-ABW-000	F-6B	80123-KCC-870	F-20
51602-ABW-100	F-6B	80203-KVE-900	F-20
51606-ABW-100	F-6B	81134-ABW-000	F-29
51615-ABW-101	F-6A	81300-ABW-100	F-25B
51617-ABW-101	F-6B	81301-ABW-000	F-25B
52101-ABW-000	F-18A	81302-ABW-000	F-25B
52110-ABW-100	F-18A	83402-ABW-000	F-1A
52143-KVE-900	F-18A	83403-ABW-0000-20	F-24A
52170-ABW-100	F-18A	83403-AAB-A000-21	F-24A
52400-ABW-101	F-19	83403-ABW-0000-21	F-24A
53100-ABW-100	F-3B	83500-ABW-100R	F-12
53105-KRC-900	F-3B	83500-ABW-100S	F-12
53131-ABW-000	F-3B	83500-ABW-300T	F-12
53140-KVE-860	F-3B	83545-AAB-A00	F-4A
53166-KVE-860	F-3B	83545-KCJ-690	F-12
53172-KRC-900	F-3B	83545-KCJ-690	F-13
53174-116-670	F-4A	83551-300-000	F-11
53175-KFN-850L	F-4A	83600-ABW-100R	F-12
53178-KFN-850	F-3B	83600-ABW-100S	F-12
53181-ABW-100X	F-29	83600-ABW-300T	F-12
53181-ABW-100Z	F-29	83760-ABW-000	F-12
53182-KFN-850	F-3	83860-ABW-000	F-12
53182-ABW-100X	F-29	86776-ABW-100R	F-27
53182-ABW-100Z	F-29	86776-ABW-100S	F-27
53184-AAM-410	F-29	86776-ABW-300T	F-27
53200-ABW-000	F-6	86781-ABW-100R	F-27
53211-268-010	F-6	86781-ABW-100S	F-27
53212-200-000	F-6	86781-ABW-300T	F-27
53214-200-000	F-6	86782-ABW-100R	F-27
53215-KTR-900	F-6	86782-ABW-100S	F-27
53220-KRY-970	F-6	86782-ABW-300T	F-27
53222-KTR-900	F-6	86783-ABW-100R	F-27
53230-ABW-000	F-6	86783-ABW-100S	F-27
57111-ABW-100	F-4A	86783-ABW-300T	F-27
57111-ABW-100	F-29	86784-ABW-100R	F-27
61000-ABW-100R	F-5	86784-ABW-100S	F-27
61000-ABW-100S	F-5	86784-ABW-300T	F-27
61000-ABW-300T	F-5	86785-ABW-100R	F-27
61100-ABW-100	F-5	86785-ABW-100S	F-27
61102-ABW-100	F-5	86785-ABW-300T	F-27
61107-KK6-000	F-24A	86785-ABW-000R	F-27
61312-ABW-000	F-1A	86786-ABW-100R	F-27
61313-ABW-100	F-1A	86786-ABW-100S	F-27
61314-ABW-100	F-1A	86786-ABW-300T	F-27
64140-ABW-100	F-1A	86787-ABW-100R	F-27
64141-ABW-000	F-1A	86787-ABW-100S	F-27
64142-ABW-000	F-1A	86788-ABW-100R	F-27
64300-ABW-100	F-25	86788-ABW-100S	F-27

PART NO	BLOCK	PART NO	BLOCK
86797-ABW-100R	F-27	90123-AAB-A02	F-6A
86798-ABW-100R	F-27	90131-AAB-A00	E-3B
87505-ABW-100	F-30	90145-MS9-610	F-4A
87507-ABW-100	F-30	90145-MS9-610	F-8
87509-AAP-000	F-30	90151-ABW-000	F-19
87560-AAG-C00	F-30	90154-AAB-A00	F-19
88100-ABW-100R	F-22	90155-ABW-000	F-7
88110-AAB-100R	F-3A	90201-KRM-840	E-5
88114-198-D10	F-3A	90201-MW3-620	F-3A
88120-AAB-100R	F-3A	90202-KRM-840	E-4
89102-538-000	F-26	90206-250-000	E-1C
89102-AAC-000	F-26	90231-KM7-700	E-6
89103-538-000	F-26	90302-KBP-900	F-16
89215-AAC-000	F-26	90304-KSP-900	F-6
89216-AAD-H00	F-26	90304-KCS-920	F-9
90002-KRM-840	E-1A	90304-KCS-920	F-18
90003-KFG-000	E-1	90304-KFN-850	F-18
90003-KVS-900	E-10	90304-KST-942	F-19
90003-MY5-720	F-3A	90305-KVN-900	F-9
90006-MEE-000	E-11A	90305-KSP-900	F-14
90008-KRM-840	E-4	90305-KVN-900	F-18A
90012-KK3-830	E-1C	90306-ABF-000	E-1A
90013-AAS-000	F-15	90306-KST-942	F-7
90019-399-010	F-25	90306-KVT-941	F-24A
90022-MG8-000	E-10	90311-MT3-000	F-13
90031-KSP-910	E-3B	90311-MT3-000	F-20
90040-KSP-910	E-1A	90311-MT3-000	F-24A
90042-AAB-A00	F-4A	90313-172-000	F-20
90071-MB0-000	E-5A	90320-GC3-000	F-20
90074-KVE-900	F-11	90324-KCC-900	F-11
90083-KRM-840	E-2	90380-AAR-001	F-21
90084-KVE-930	E-3A	90380-AAR-001	F-21A
90084-041-000	E-8	90401-KRM-840	E-4
90085-KTC-920	E-9	90402-AAB-A00	E-7
90087-KVE-900	E-3A	90403-AAB-A00	E-7
90101-GE0-000	F-12	90408-KW1-900	F-11
90101-GE0-000	F-20	90417-KRM-840	E-10
90101-GE0-000	F-22	90417-041-000	F-13A
90101-GE0-000	F-25B	90432-KPT-A00	E-6
90102-KVN-900	F-3B	90441-KRM-840	E-3B
90103-MCS-G00	F-8	90451-KRM-840	E-9
90105-KL8-741	F-7	90452-KRM-840	E-8
90105-KL8-741	F-9	90452-GB4-770	E-8
90105-KVE-860	F-12	90452-GB4-770	E-9
90107-ABW-100	F-14	90453-KRM-840	E-8
90107-AAB-000	F-18	90454-107-000	E-8
90109-SB6-000	F-1A	90455-KSP-910	E-9
90109-SB6-0001	F-13	90456-KRM-840	E-8
90110-KVE-900	F-23	90457-KRM-840	E-10
90111-KW3-000	F-1A	90463-KRM-840	E-1
90111-187-000	F-5	90501-KPT-A00	E-4
90111-187-000	F-18A	90501-KPT-A00	E-5
90111-187-000	F-20	90501-ABW-000	F-18A
90111-187-000	F-22	90501-KCC-870	F-29
90111-MR5-000	F-23	90502-KVE-900	F-5
90111-MR5-000	F-24	90502-KVE-900	F-13A
90111-187-000	F-24A	90503-KTR-900	F-6
90111-187-000	F-25	90504-964-000	F-1A
90113-438-000	F-3B	90504-KWA-940	F-1A
90113-AAM-410	F-29	90505-KRM-860	F-17A
90114-166-000L	F-4A	90522-AAB-000	F-18A
90114-AAM-400	F-29	90525-030-000	F-5
90116-AAB-A02	F-6A	90534-MV4-000	F-11
90122-KVT-941	F-24A	90543-MV9-670	E-1

PART NO	BLOCK	PART NO	BLOCK
90544-AAB-A02	F-6A	93600-06040-0G	E-6
90545-300-000	F-4A	93600-04012-1GL	F-4A
90545-300-000	F-8	93700-05012-0A	E-6
90556-044-000	F-18A	93891-05008-00	F-4A
90560-KVE-900	F-9	93892-05020-07	F-3B
90601-001-000	E-8	93892-05025-07	F-3B
90601-AAB-A02	F-6A	93892-05045-07	F-3B
90601-KAF-003	F-13	93893-04012-17L	F-4A
90601-KAF-003	F-23	93901-AAR-001	F-21
90602-KRM-840	E-8	93901-AAR-001	F-21A
90604-AAB-A00	E-7	93903-22480	F-2
90605-200-000	E-8	93903-34220	F-12
90651-MA5-671L	F-4A	93903-34380	F-20
90652-AAW-300	F-4A	94001-06000-0S	F-1A
90701-KFN-850	E-3	94001-06070-0S	F-2
90704-KRM-840	E-1A	94001-06000-0S	F-16
90741-KGH-900	E-7	94002-08000-0S	F-3
90741-KFB-000	E-7	94002-10070-0S	F-3B
90755-229-000	F-7	94002-06000-0S	F-3B
91001-GF6-000	E-3B	94002-08000-0S	F-8
91001-KTN-900	E-3B	94030-08000	F-3
91002-KSP-911	E-7	94050-12000	E-7
91003-KSP-910	E-3B	94050-06000	F-3B
91004-KTN-900	E-3B	94050-06000	F-4A
91008-AAB-A01	E-1C	94050-06000	F-11
91010-ABF-001	E-3B	94050-06000	F-11A
91022-KTN-900	E-9	94050-06000	F-13A
91071-KVN-900	F-18A	94050-05000	F-20
91101-ABF-000	E-7	94050-08000	F-21
91102-ABF-000	E-7	94050-08000	F-21A
91103-ABF-000	E-7	94050-06000	F-24A
91202-KSP-911	E-3	94050-08000	F-25
91203-KSP-910	E-3B	94050-10000	F-25
91204-MC7-003	E-3B	94050-08000	F-25B
91212-422-006	F-8	94050-08000	F-28
91216-KSP-910	E-3B	94050-06000	F-28
91253-KSP-901	F-9	94101-05000	F-13
91254-AAB-A02	F-6A	94102-08000	F-15
91254-KS6-003	F-18A	94102-08000	F-17A
91255-AAB-A02	F-6A	94102-10000	F-29
91257-230-003	F-9	94103-06700	F-2
91303-KRM-840	E-3A	94109-12000	E-3B
91304-KRM-840	E-11A	94111-03800	F-23
91305-KRM-840	E-3A	94201-20150	F-8
91305-KPH-900	E-5A	94201-20150	F-15
91305-443-740	F-11	94201-30300	F-18
91306-MG3-000	E-2	94201-30300	F-29
91307-KRM-840	E-6	94251-08000	E-6
91309-425-003	E-5A	94301-08140	E-1
91309-MJ0-003	E-11A	94301-10120	E-1A
91320-MB0-000	E-5A	94301-10120	E-1B
91352-KSP-900	F-9	94301-08140	E-3
91356-AAB-A02	F-6A	94301-08140	E-3A
91406-KFN-850	F-13	94301-08140	E-3B
91410-ABW-000	F-1A	94301-08140	E-6
91455-MG8-000	F-3B	94305-20102	F-8
91509-GE2-760	F-1A	94510-16000	E-9
91540-AAN-410	F-24	94510-14000	E-10
91551-AAB-100	F-24	94601-15000	E-7
92915-10025-0E	F-9	95002-40800-08	E-11A
93404-06016-07	F-5	95002-50000	F-11
93500-05010-1A	F-1A	95002-02080	F-11A
93500-05025-0G	F-13	95002-02100	F-11A
93600-05016-0G	E-1A	95002-02130	F-11A

PART NO	BLOCK	PART NO	BLOCK
95002-70000	F-11A	96001-06040-00	E-3
95002-02070	F-13A	96001-06030-00	E-3A
95014-72102	F-18	96001-06035-00	E-3A
95014-71702	F-18	96001-06045-00	E-3A
95014-71702	F-29	96001-06018-00	E-3B
95015-54000	F-8	96001-06022-00	E-11A
95018-58320	F-13	96001-06014-00	F-1
95701-06016-00	E-1A	96001-06010-00	F-1A
95701-06014-00	E-1A	96001-06010-00	F-1A
95701-06006-00	E-2	96001-06016-00	F-1A
95701-06016-00	E-2	96001-06020-00	F-1A
95701-06016-00	E-3B	96001-06022-07	F-3B
95701-06040-00	E-3B	96001-06022-07	F-4A
95701-06045-00	E-3B	96001-06012-00	F-12
95701-06070-00	E-3B	96001-06012-02	F-14
95701-06014-00	E-3B	96001-06030-00	F-15
95701-06022-00	E-5A	96001-06018-07	F-20
95701-06020-00	E-5A	96001-06016-00	F-24
95701-06016-00	E-9	96001-06020-00	F-24
95701-06016-00	E-11A	96100-62030-00	E-3B
95701-06012-07	F-4A	96100-63010-00	E-3B
95701-06018-00	F-4A	96100-60030-00	E-4
95701-06020-07	F-4B	96140-63010-10	F-7
95701-06022-00	F-5	96140-63020-10	F-9
95701-06022-00	F-8	96150-60050-10	F-9
95701-06012-00	F-8	96211-08000	F-15
95701-06012-00	F-10	96211-08000	F-17A
95701-08035-00	F-11	96220-30085	E-10
95701-06012-07	F-13	96600-06016-00	E-5
95701-06020-00	F-13	96600-06022-00	E-5
95701-06018-00	F-13	96600-05012-18	F-7
95701-06030-00	F-13A	96600-08025-00	F-23
95701-08032-00	F-14	97252-ABW-100	F-9
95701-08040-07	F-14	97278-ABW-100	F-7
95701-08035-07	F-14	97550-ABW-100	F-7
95701-06022-00	F-15	97660-ABW-100	F-9
95701-08014-00	F-15	98200-32000	F-23
95701-08018-08	F-15	98200-31000	F-24
95701-06020-07	F-17	98200-31500	F-24
95701-08040-07	F-18A	99006-AAB-A00	F-26
95701-06012-07	F-18A	99007-AAB-A00	F-26
95701-05010-00	F-18A		
95701-06014-00	F-20		
95701-06012-00	F-20		
95701-05016-00	F-23		
95701-06018-00	F-24		
95701-06018-00	F-24A		
95701-06012-07	F-25		
95701-08016-00	F-25		
95701-06020-07	F-25A		
95701-06016-00	F-25B		
95701-08025-00	F-25B		
95701-06014-00	F-25B		
95701-06012-07	F-28		
95801-06105-00	E-1A		
95801-10040-07	F-6		
95801-10050-00	F-6		
95801-10070-00	F-15		
95801-08038-07	F-17A		
95801-08085-00	F-25		
95801-08095-00	F-28		
96001-06012-00	E-1		
96001-06022-00	E-2		
96001-06030-00	E-3		

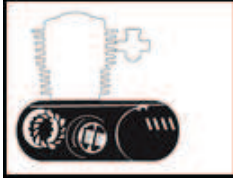
BLOCK INDEX - GROUP Engine - Xpulse 200 (May,2019).



E-1
E-1A
E-1B
E-1C
E-2
E-3
E-3A
E-3B

CYLN. & CYLN HEAD (CYLINDER HEAD COVER)
CYLN. & CYLN HEAD (CYLINDER HEAD)
CYLN. & CYLN HEAD (CYLINDER)
CYLN. & CYLN HEAD (CAM SHAFT VALVE)
CAM SHAFT (CAM CHAIN TENSIONER)
CRANK CASE & COVER (RIGHT CRANK CASE COVER)
CRANK CASE & COVER (LEFT CRANK CASE COVER)
CRANK CASE & COVER (CRANK CASE)

1
2
3
4
5
6
7
8



E-4
E-5
E-5A
E-6
E-7
E-8

CLUTCH
ELECTRICALS (AC GEN ASSY)
ELECTRICALS (STARTER MOTOR)
OIL PUMP ASSY.
CRANK SHAFT (CRANK SHAFT / PISTON)
TRANSMISSION

9
10
11
12
13
14






















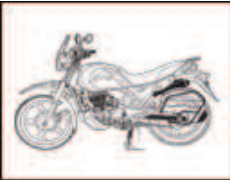

































E-9
E-10
E-11
E-11A

KICK STARTER (SPINDLE KICK STARTER)
GEAR SHIFT (DRUM GEAR SHIFT)
CARBURETTOR
EXHAUST (AIR FEED PIPE/ INLET PIPE)

15
16
17
18

BLOCK INDEX - GROUP Frame - Xpulse 200 (May,2019).

	 F-1	HEAD LIGHT	19
	 F-1A	FAIRING (FR. VISOR/COWL/STAY)	20
	 F-2	SPEEDOMETER / CABLE	21
	 F-3	HANDLE LEVER / SWITCH/ CABLES	22
	 F-3A	MIRROR ASSY.	23
	 F-3B	HANDLE & HNDL COVER (HANDLE LEVER/SWITCH/CABLES)	24
	 F-4A	FRONT BRAKE (MASTER CYLINDER) (ABS)	25
 F-4B	FRONT BRAKE (CALIPER ASSY 'R' FR.)	26	
 F-5	FRONT FENDER	27	
 F-6	FRONT CUSHION (STEERING STEM)	28	
 F-6A	FRONT CUSHION	29	
 F-6B	FRONT CUSHION (COVER)	30	
 F-7	FRONT WHEEL	31	
	 F-8	REAR BRAKE(MASTER CYL.)	32
	 F-8A	REAR BRAKE (CALIPER ASSY. REAR)	33
	 F-9	RR WHEEL / FLANGE ASSY. DRIVEN	34
	 F-10	SEAT ASSY.	35
	 F-11	FUEL TANK / FUEL UNIT	36
 F-11A	FUEL TANK (CANISTER ASSY.)	37	
	 F-12	SIDE COVER	38
	 F-13	AIR CLEANER	39
	 F-13A	AIR CLEANER (AIR SUCTION VALVE)	40
	 F-14	MUFFLER	41
	 F-15	STEP PILLION / HOLDER / BRKT.	42
	 F-15A	STEP PILLION / HOLDER / BRKT. (PEDAL BRAKE)	43
	 F-16	CHAIN DRIVE / ADJUSTER CHAIN	44
	 F-17	PEDAL	45
	 F-17A	KICK STARTER	46
	 F-18	CHAIN CASE & STAND	47
	 F-18A	SWINGARM / GUARD SAREE / CHAIN CASE	48
	 F-19	CUSHION REAR	49
	 F-20	REAR FENDER	50
	 F-21	FRONT WINKER	51
	 F-21A	REAR WINKER	52
	 F-22	TAIL LIGHT	53
	 F-23	SWITCH ASSY./ RELAY / LOCK ASSY./ KEY BLANK	54
	 F-23		
	 F-24	ELECTRICALS (WIRE HARNESS/START CABLES)	55
	 F-24A	BATTERY ASSY.	56
	 F-25	FRAME BODY	57
	 F-25A	HORN ASSY.	58
	 F-25B	GRIP REAR	59
	 F-26	TOOLS	60
	 F-27	STRIPES	61
	 F-28	GUARD FRONT	76
	 F-29	HAND GUARD/STAND/LUGGAGE BOX (OPTIONAL)	77
	 F-30	CAUTION LABEL	78