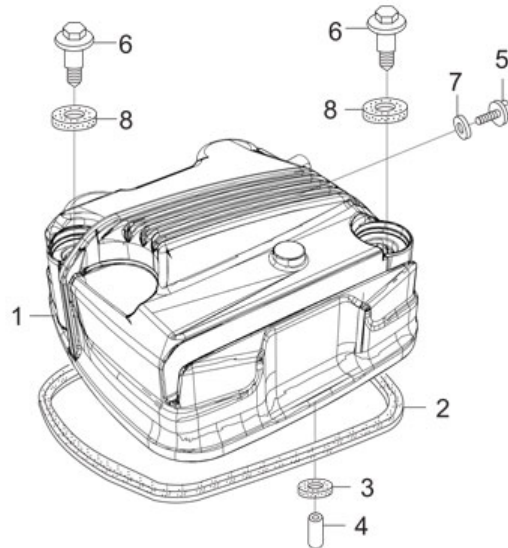


PARTS CATALOGUE

Xpulse 200FI (May, 2019)

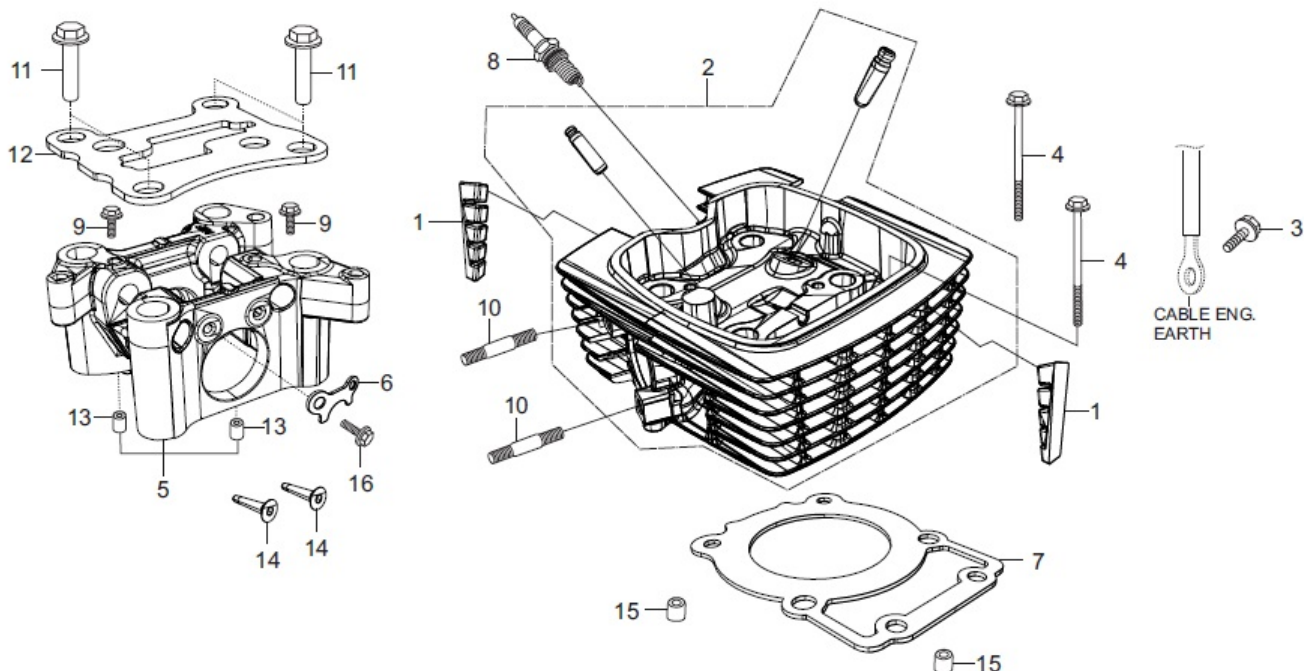
E-1 : CYLN. & CYLN HEAD (CYLINDER HEAD COVER)



Group Number: E-1 **Model ::** Xpulse 200FI (May, 2019)

Ref No.	Part Number	Description	Req.
1	12311-ABW-200	COVER COMP. CYLINDER HEAD	1
2	12391-KRM-840	GASKET, HEAD COVER	1
3	12396-KRM-840	GASKET,B, HEAD COVER	1
4	94301-08140	DOWEL PIN, 8X14	1
5	96001-06012-00	BOLT,FLANGE,SH,.6 X 12	1
6	90003-KFG-000	BOLT, L COVER	2
7	90463-KRM-840	WASHER SEALING 6.2 MM	1
8	90543-MV9-670	RUBBER, MOUNT	2

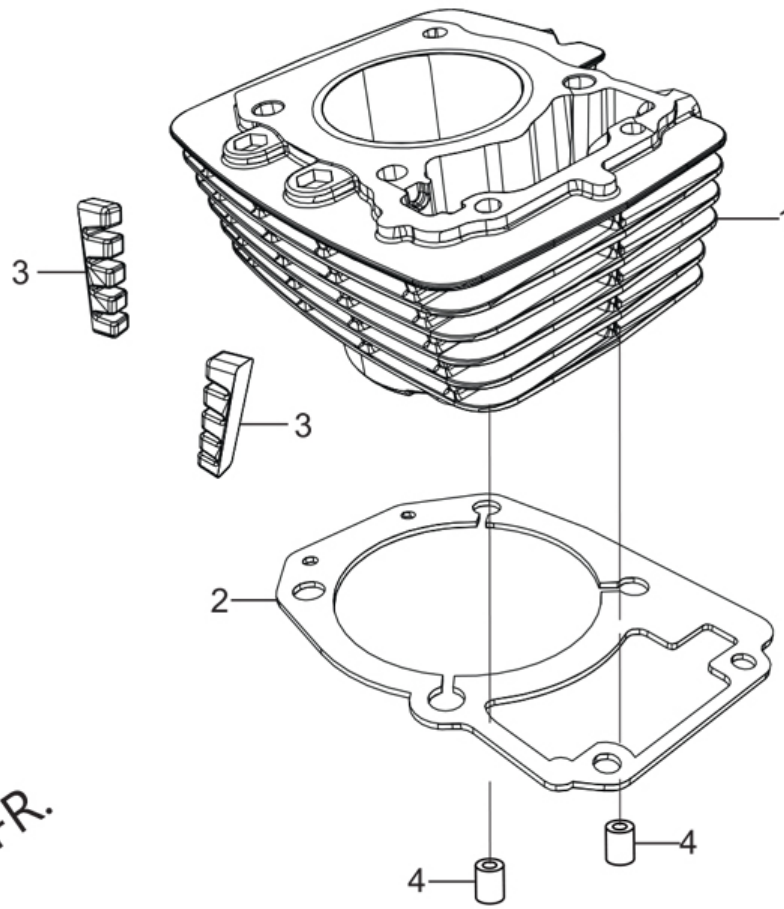
E-1A : CYLN. & CYLN HEAD (CYLINDER HEAD)



Group Number: E-1A Model :: Xpulse 200FI (May, 2019)

Ref No.	Part Number	Description	Req.
1	12195-AAB-A00	RUBBER, INSERT FRONT	2
2	12200-ABW-200	HEAD COMP CYLINDER	1
3	95701-06016-00	BOLT, FLANGE, 6X16	1
4	95801-06105-00	BOLT FLANGE 6 X 105	2
5	12210-ABF-000	HOLDER COMP CAM SHAFT	1
6	12212-ABF-000	PLATE STOPPER	1
7	12251-ABF-000	GASKET CYLINDER HEAD	1
8	31916-KRM-84099	SPARK PLUG	1
9	90002-KRM-840	BOLT, FLANGE 5X14	2
10	90040-KSP-910	BOLT STUD 8 X 22	2
11	90306-ABF-000	NUT CYLINDER HEAD	4
12	12214-AAB-A00	PLATE STIFFENER	1
13	90704-KRM-840	DOWEL PIN 6 X10	2
14	93600-05016-0G	SCREW FLAT 5X16	2
15	94301-10120	DOWEL PIN, 10X12	2
16	95701-06014-00	BOLT, FLANGE, 6 X 14	1

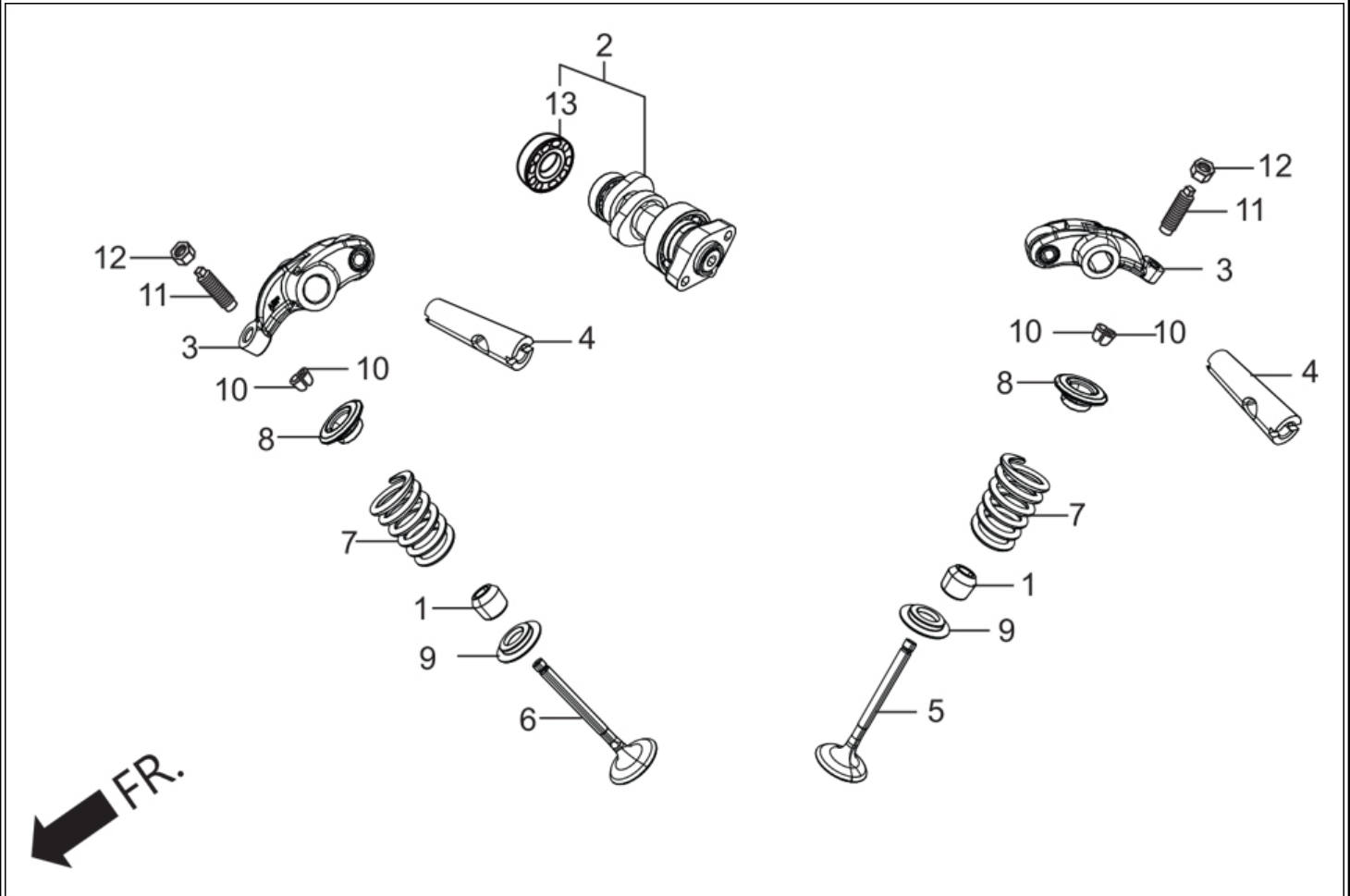
E-1B : CYLN. & CYLN HEAD (CYLINDER)



Group Number: E-1B Model :: Xpulse 200FI (May, 2019)

Ref No.	Part Number	Description	Req.
1	12100-ABW-200	CYLINDER COMP	1
2	12191-ABF-000	GASKET CYL	1
3	12196-AAB-A00	RUBBER INSERT CORNER	2
4	94301-10120	DOWEL PIN, 10X12	2

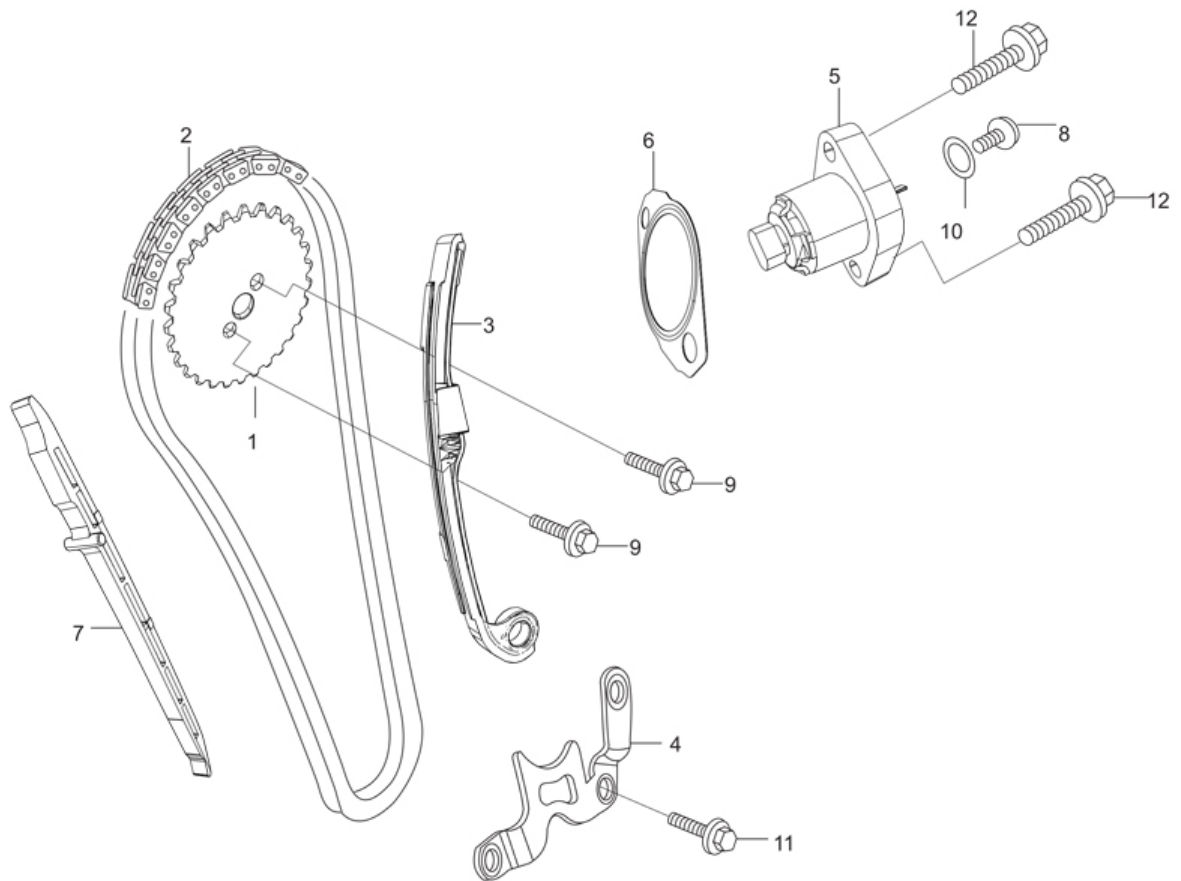
E-1C : CYLN. & CYLN HEAD (CAM SHAFT / VALVE)



Group Number: E-1C Model :: Xpulse 200FI (May, 2019)

Ref No.	Part Number	Description	Req.
1	12209-GB4-685	SEAL, VALVE STEM	2
2	14100-ABF-000	SHAFT COMP CAM	1
3	14430-ABF-000	ARM COMP VALVE ROCKER	2
4	14451-ABF-000	SHAFT ROCKER ARM	2
5	14711-ABF-000	VALVE INLET	1
6	14721-ABF-000	VALVE EXHAUST	1
7	14751-ABF-000	SPRING VALVE	2
8	14771-ABF-000	RETAINER, VALVE SPRING	2
9	14775-ABF-000	SEAT, VALVE SPRING	2
10	14781-MA6-000	COTTER, VALVE	4
11	90012-KK3-830	SCREW, TAPPET ADJUSTING	2
12	90206-250-000	NUT, TAPPET ADJUSTING	2
13	91008-AAB-A01	BRG. BALL RADIAL 12X28X8	1

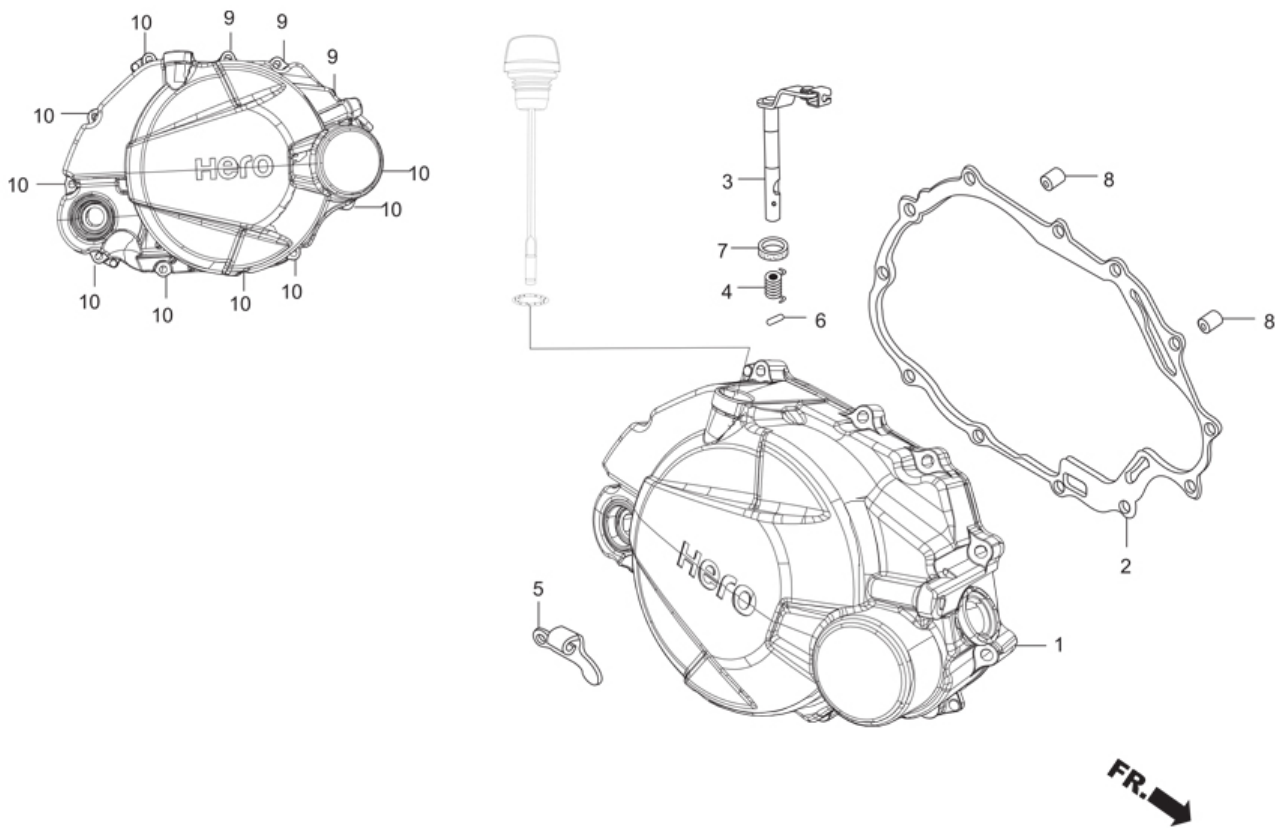
E-2 : CAM SHAFT (CAM CHAIN TENSIONER)



Group Number: E-2 **Model ::** Xpulse 200FI (May, 2019)

Ref No.	Part Number	Description	Req.
1	14321-AAB-A00	SPROCKET CAM	1
2	14401-AAB-A00	CHAIN CAM	1
3	14510-AAB-A00	TENSIONER ASSY CAM CHAIN	1
4	14515-KRM-840	PLATE, TENSIONER SET	1
5	14520-AAB-A0099	LIFTER ASSY TENSIONER	1
6	14560-KSP-910	GASKET, TENSIONER LIFTER	1
7	14610-AAB-A00	GUIDE CAM CHAIN	1
8	95701-06006-00	BOLT FLANGE 6X6	1
9	90083-KRM-840	BOLT, KNOCK, 5 MM	2
10	91306-MG3-000	O- RING, 1.5X9.5	1
11	95701-06016-00	BOLT, FLANGE, 6X16	1
12	96001-06022-00	BOLT, FLANGE, SH. 6 X 22	2

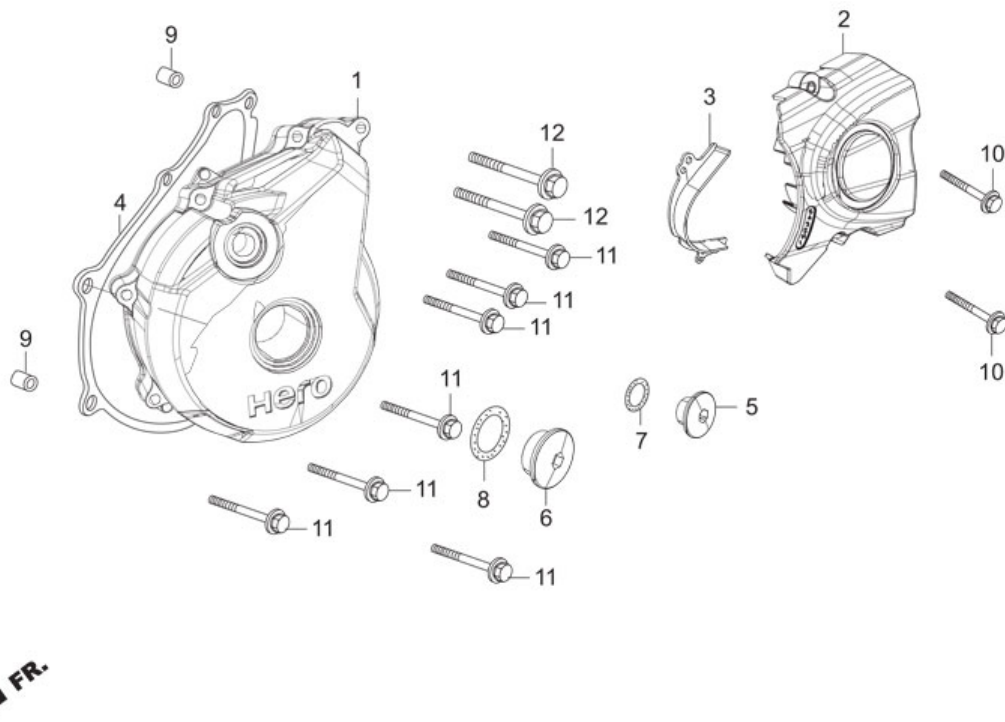
E-3 : CRANK CASE & COVER (RIGHT CRANK CASE COVER)



Group Number: E-3 Model :: Xpulse 200FI (May, 2019)

Ref No.	Part Number	Description	Req.
1	11330-AAB-A00	COVER COMP R CRANK CASE	1
2	11393-KWK-900	GASKET, RIGHT COVER	1
3	22810-KRM-B00	LEVER COMP CLUTCH	1
4	22815-428-000	SPRING, CLUTCH LEVER	1
5	22821-KRM-840	RECEIVER, CLUTCH CABLE	1
6	90701-KFN-850	PIN, SPRING, 3 X 10	1
7	91202-KSP-911	OIL SEAL, 12 X 18 X 4	1
8	94301-08140	DOWEL PIN, 8X14	2
9	96001-06030-00	BOLT, FLANGE, SH., 6 X 30	3
10	96001-06040-00	BOLT, FLANGE, SH. 6 X 40	9

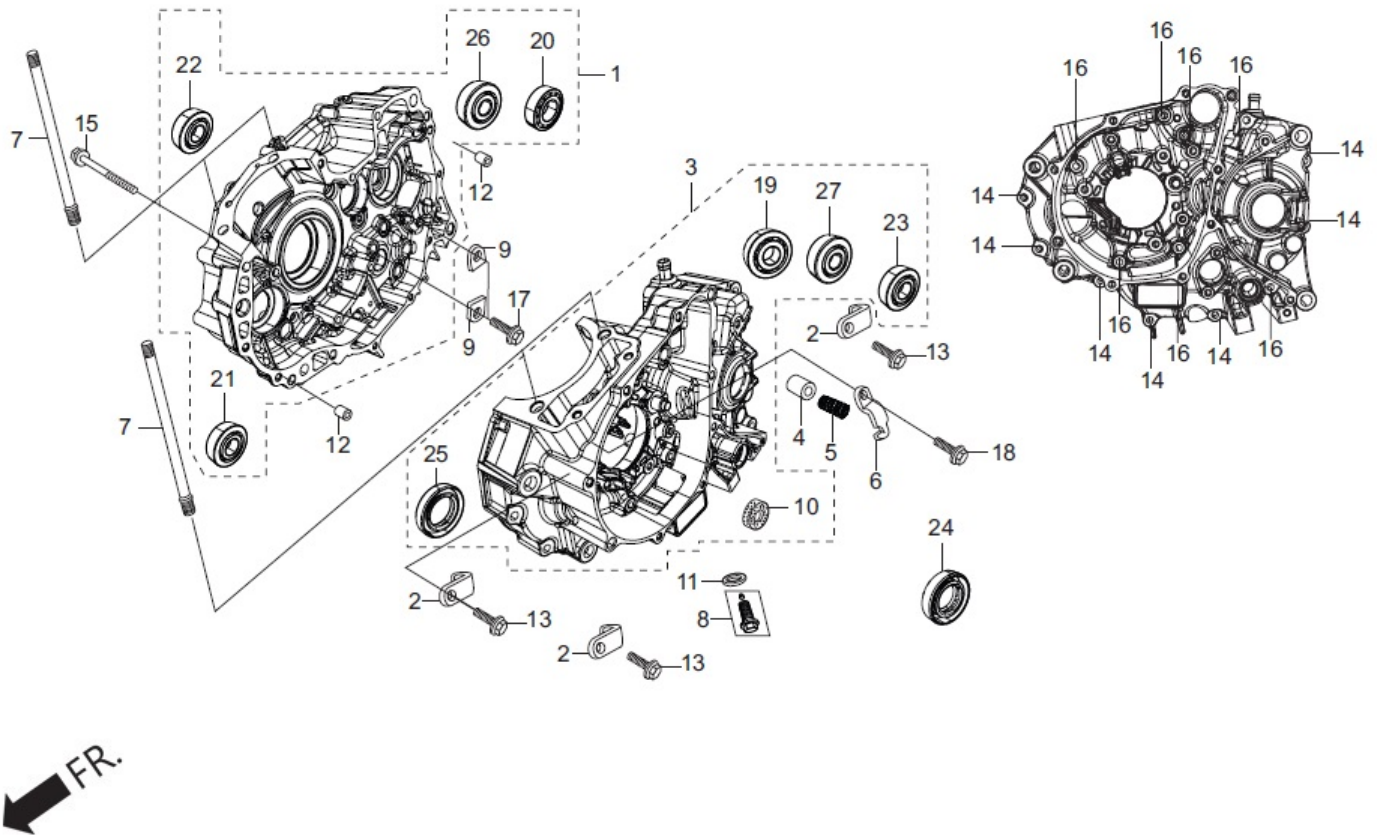
E-3A : CRANK CASE & COVER (LEFT CRANK CASE COVER)



Group Number: E-3A Model :: Xpulse 200FI (May, 2019)

Ref No.	Part Number	Description	Req.
1	11341-ABW-200	COVER LEFT CRANK CASE	1
2	11360-ABW-100	COVER COMP. L REAR	1
3	11365-ABW-100	GUIDE DRIVE CHAIN	1
4	11395-KWK-900	GASKET, L COVER	1
5	90084-KVE-930	CAP 14 MM	1
6	90087-KVE-900	CAP, 32 MM	1
7	91303-KRM-840	O-RING 13.8 X 2.5	1
8	91305-KRM-840	O-RING 31.7 X 2.4	1
9	94301-08140	DOWEL PIN, 8X14	2
10	96001-06030-00	BOLT, FLANGE, SH., 6 X 30	2
11	96001-06035-00	BOLT, FLANGE, SH. 6 X 35	7
12	96001-06045-00	BOLT, FLANGE, SH. 6 X 45	2

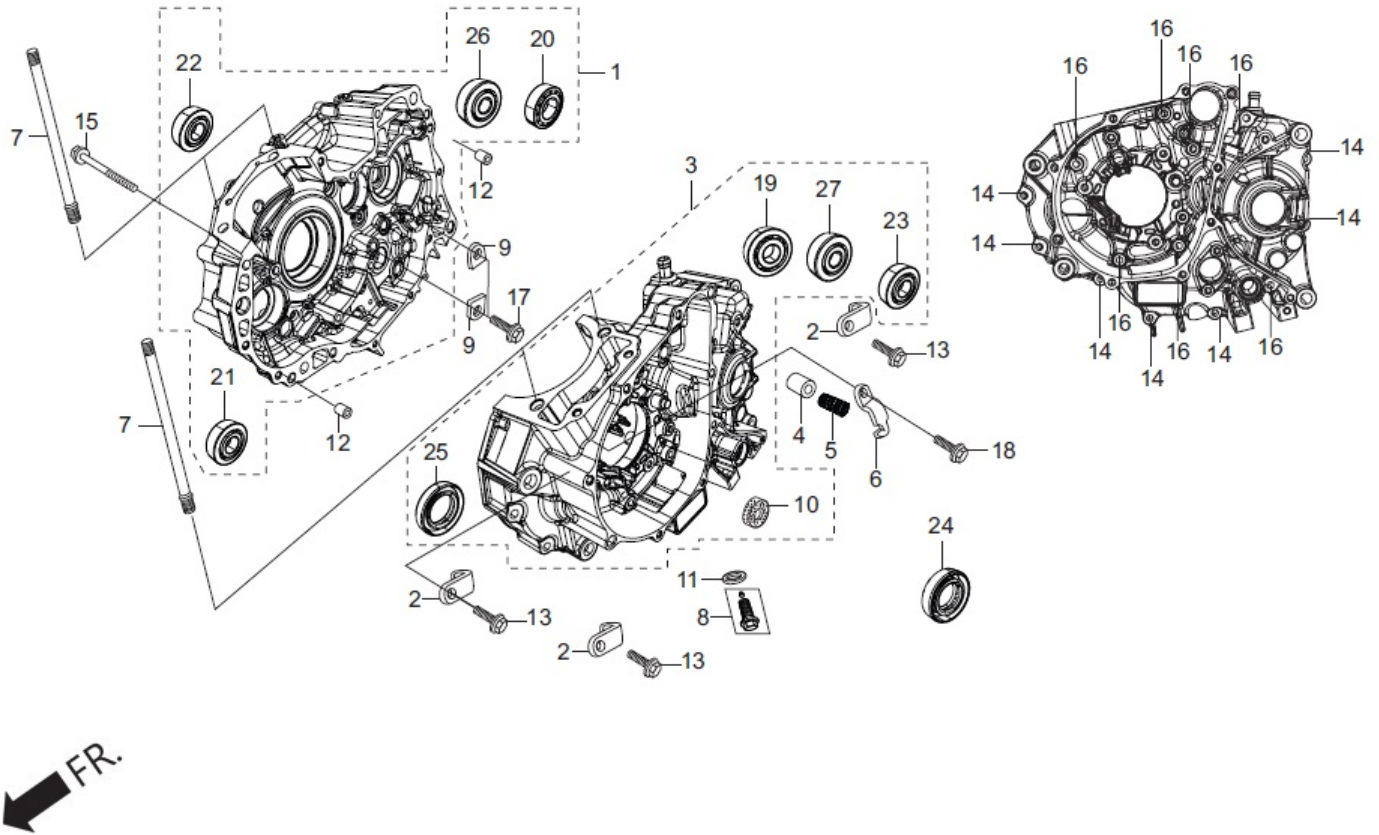
E-3B : CRANK CASE & COVER (CRANK CASE)



Group Number: E-3B Model :: Xpulse 200FI (May, 2019)

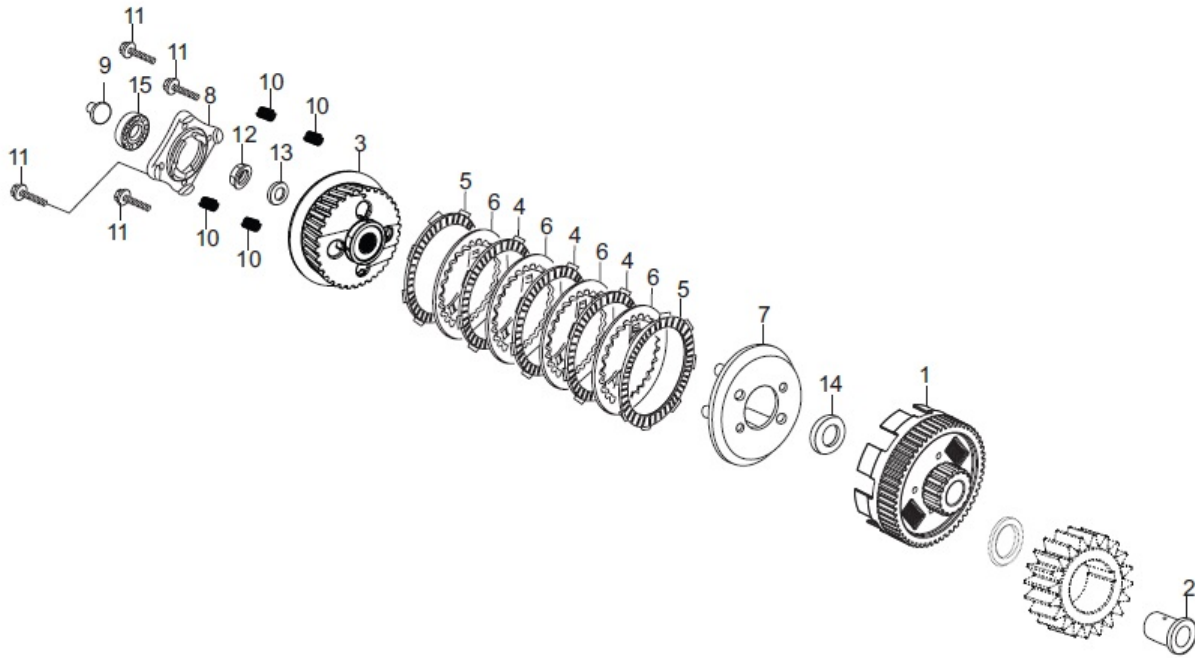
Ref No.	Part Number	Description	Req.
1	1110A-ABF-000	R CRANKCASE INSTL DWG	1
2	11108-KTN-900	PLATE L BRG SET	3
3	1120A-ABF-000	L CRANKCASE INSTL. DWG	1
4	11215-KSP-910	PLUG BRG PUSH	1
5	11216-AAB-A00	SPRING BRG PUSH	1
6	11217-KRM-840	PLATE BRG PUSH	1
7	90031-KSP-910	BOLT STUD CYLN 8 X 140	4
8	90131-AAB-A00	BOLT PLUG DRAIN 12 MM	1
9	90441-KRM-840	PLATE, BRG. HOLD	2
10	91203-KSP-910	OIL SEAL, 14 X 22 X 5	1
11	94109-12000	WASHER, PLUG, DRAIN	1
12	94301-08140	DOWEL PIN, 8X14	2
13	95701-06016-00	BOLT, FLANGE, 6X16	3
14	95701-06040-00	BOLT FLANGE 6X40	7
15	95701-06045-00	BOLT, FLANGE, SH. 6 X45	1
16	95701-06070-00	BOLT, FLANGE, SH. 6 X70	7
17	96001-06018-00	BOLT, FLANGE, 6 X 18	1
18	95701-06014-00	BOLT, FLANGE, 6 X 14	1
19	91001-GF6-000	BEARING, RADIAL BALL, 6304	1
20	91001-KTN-900	BRG. ROLLER, 30 X 58 X 17	1
21	91003-KSP-910	BRG. BALL RADIAL, 17 X 42 X 12	1
22	91004-KTN-900	BRG. BALL RADIAL, 17 X 40 X 12	1
23	91010-ABF-001	BRG BALL RADIAL 12X32X10	1
24	91204-MC7-003	OIL SEAL, 16 X 28 X 7	1

E-3B : CRANK CASE & COVER (CRANK CASE)



25	91216-KSP-910	OIL SEAL	1
26	96100-62030-00	BEARING, RADIAL BALL, 6203	1
27	96100-63010-00	BRG.BALL RADIAL 6301	1

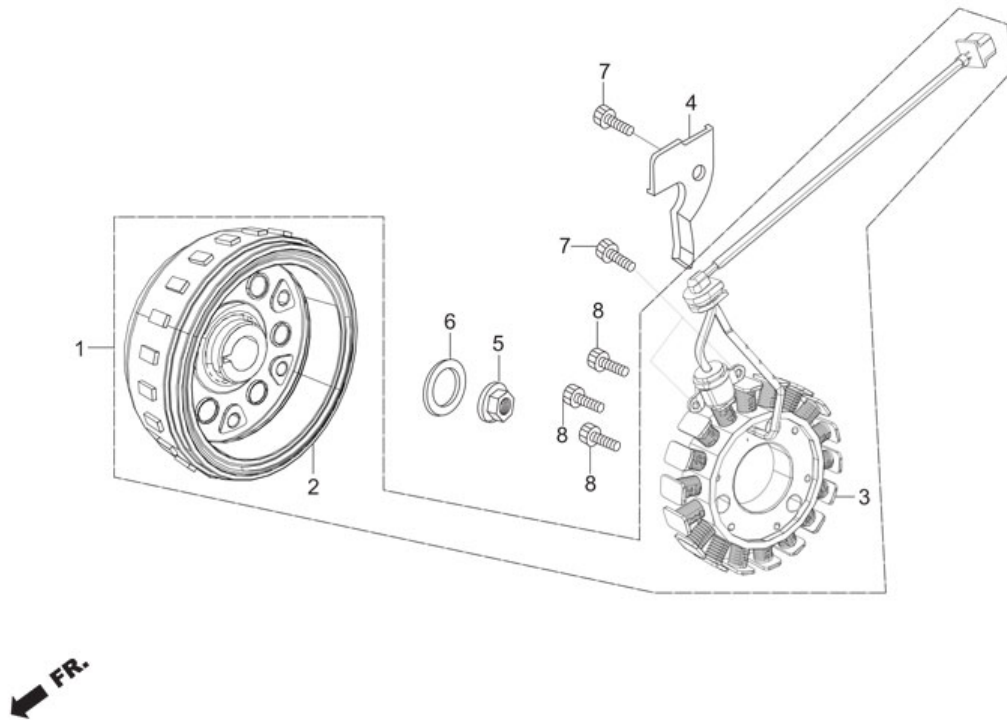
E-4 : CLUTCH



Group Number: E-4 Model :: Xpulse 200FI (May, 2019)

Ref No.	Part Number	Description	Req.
1	22100-KTN-900	OUTER COMP., CLUTCH	1
2	22115-KSP-910	GUIDE, CLUTCH OUTER	1
3	22120-ABF-000	CENTER CLUTCH	1
4	22201-KPM-850	DISK,CLUTCH FRICTION,4 X 8 X 45	3
5	22201-MR8-000	DISC CLUTCH FRICTION	2
6	22321-KPS-900	PLATE, CLUTCH	4
7	22355-KRM-840	PLATE, CLUTCH PRESSURE	1
8	22361-KPK-900	PLATE,CLUTCH LIFTER	1
9	22366-KSP-910	ROD, CLUTCH LIFTER	1
10	22401-ABF-000	SPRING CLUTCH	4
11	90008-KRM-840	BOLT, FLANGE 6 X 25	4
12	90202-KRM-840	NUT SPL FLANGE 14MM	1
13	90401-KRM-840	WASHER PLAIN 17MM	1
14	90501-KPT-A00	WASHER 14.1X29X2.8	1
15	96100-60030-00	BEARING, RADIAL BALL, 6003	1

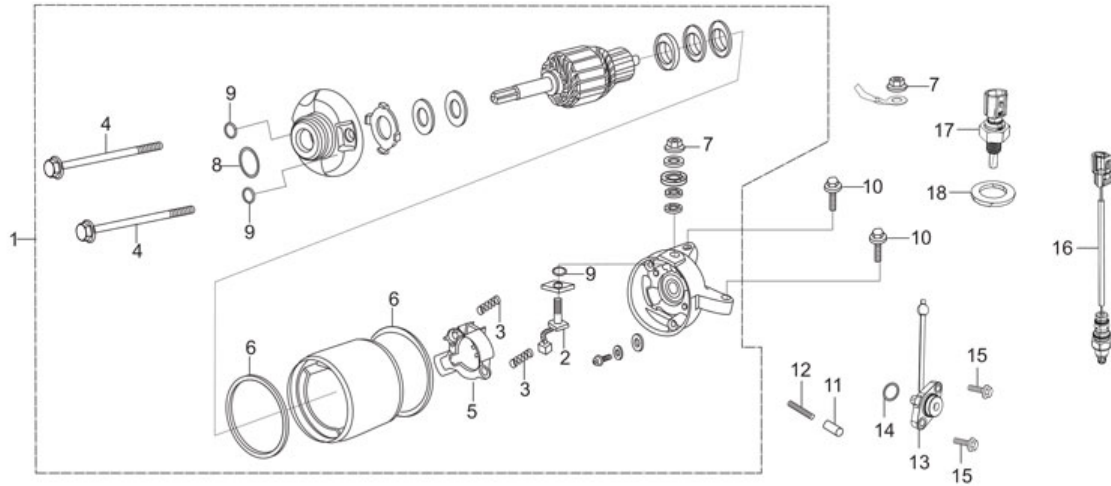
E-5 : ELECTRICALS (AC GEN ASSY)



Group Number: E-5 Model :: Xpulse 200FI (May, 2019)

Ref No.	Part Number	Description	Req.
1	31100-ABW-201	AC GEN ASSY	1
2	31110-ABW-201	FLYWHEEL COMP	1
3	31120-ABW-201	STATOR COMP	1
4	32111-KSP-910	CLAMPER, ACG CORD	1
5	90201-KRM-840	NUT, FLANGE, 14 MM	1
6	90501-KPT-A00	WASHER 14.1X29X2.8	1
7	90085-KTC-920	BOLT, SOCKET, 6 X 14	3
8	96700-06032-10	BOLT, SOCKET, 6X32	3

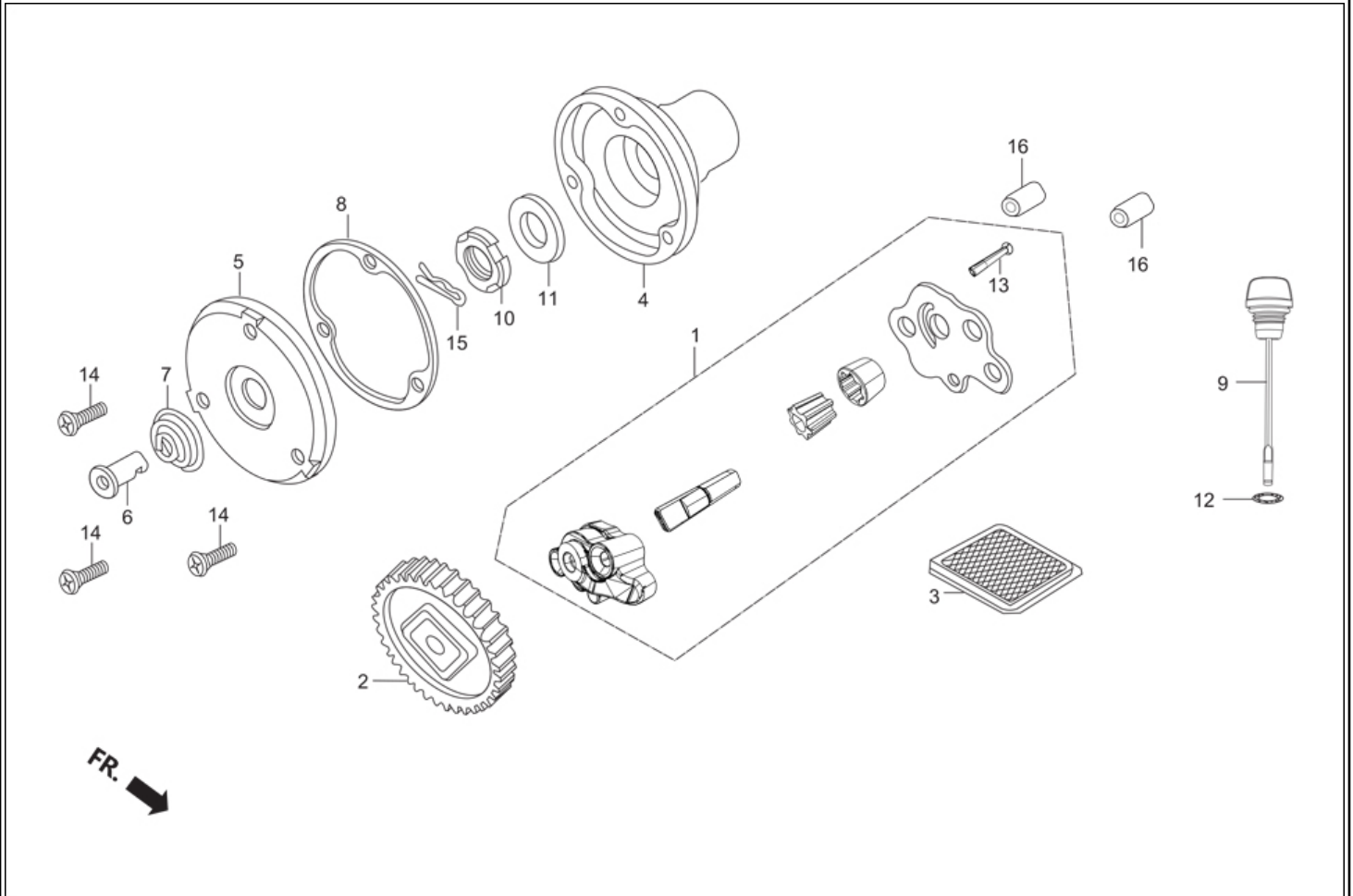
E-5A : ELECTRICALS (STARTER MOTOR)



Group Number: E-5A Model :: Xpulse 200FI (May, 2019)

Ref No.	Part Number	Description	Req.
1	31200-KSP-901	MOTOR ASSY., STARTER	1
2	31201-KPT-A01	BRUSH, TERMINAL SET	1
3	31204-KG8-004	BRUSH, SPRING	2
4	31205-KTC-921	BOLT, SET	2
5	31206-KPH-881	BRUSH, HOLDER SET	1
6	31207-MBE-008	RING	2
7	90071-MB0-000	NUT, WASHER, 6 MM	2
8	91309-425-003	O RING 24.4X3.1	1
9	91320-MB0-000	O RING	3
10	95701-06022-00	BOLT, FLANGE, SH. 6 X 22	2
11	35751-KPH-900	CAP, CONTACT CHANGE SW.	1
12	35752-KRM-840	SPRING, CONN. CHANGE SW.	1
13	35759-AAB-000	CONTACT ASSY NEUTRAL SW	1
14	91305-KPH-900	O-RING,19.4 X 2.3	1
15	95701-06020-00	BOLT, FLANGE, 6X20	2
16	36532-AAN-E01	OXYGEN SENSOR(NON HEATED)	1
17	37750-ABH-001	SENSOR ASSY. T-OIL	1
18	90443-MB0-000	WASHER SEALING, 10MM	1

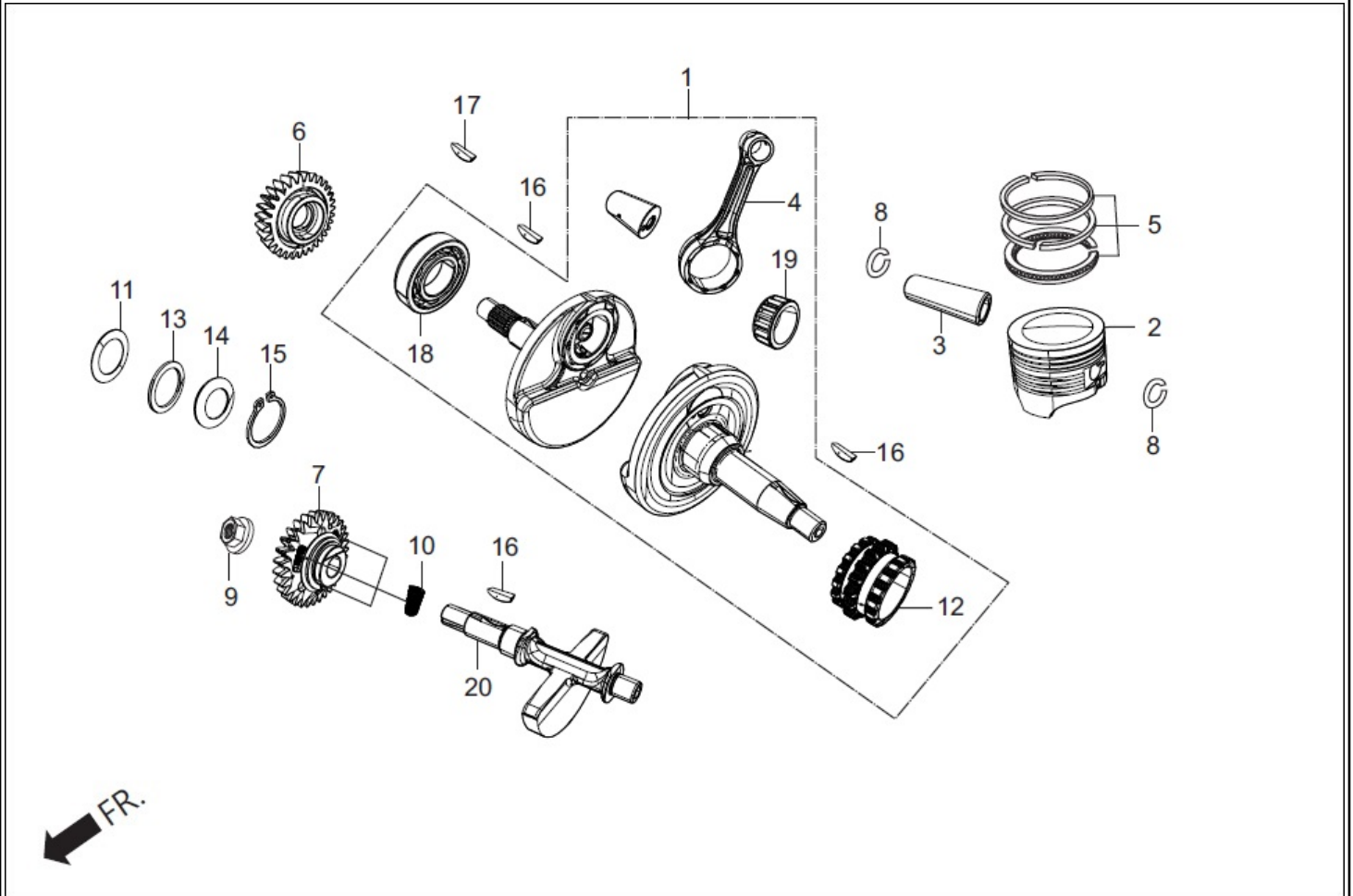
E-6 : OIL PUMP ASSY.



Group Number: E-6 Model :: Xpulse 200FI (May, 2019)

Ref No.	Part Number	Description	Req.
1	15100-ABF-000	OIL PUMP ASSEMBLY	1
2	15130-KRM-840	GEAR COMP., OIL PUMP	1
3	15421-KTN-900	SCREEN, OIL FILTER	1
4	15430-KSP-910	ROTOR, OIL FILTER	1
5	15436-KRM-840	CAP, OIL FILTER ROTOR	1
6	15441-KCS-650	OIL, THROUGH	1
7	15446-107-000	SPRING, OIL THROUGH	1
8	15459-AAB-A00	GASKET OIL FILTER CAP	1
9	15650-KVN-970	GAUGE,OIL LEVEL	1
10	90231-KM7-700	NUT, LOCK, 14 MM	1
11	90432-KPT-A00	WASHER, 14.2 X 26 X 3	1
12	91307-KRM-840	O-RING, 18 X 3	1
13	93600-06040-0G	SCREW FLAT 6X40	1
14	93700-05012-0A	SCREW, OVAL, 5X12	3
15	94251-08000	PIN LOCK, 8 MM	1
16	94301-08140	DOWEL PIN, 8X14	2

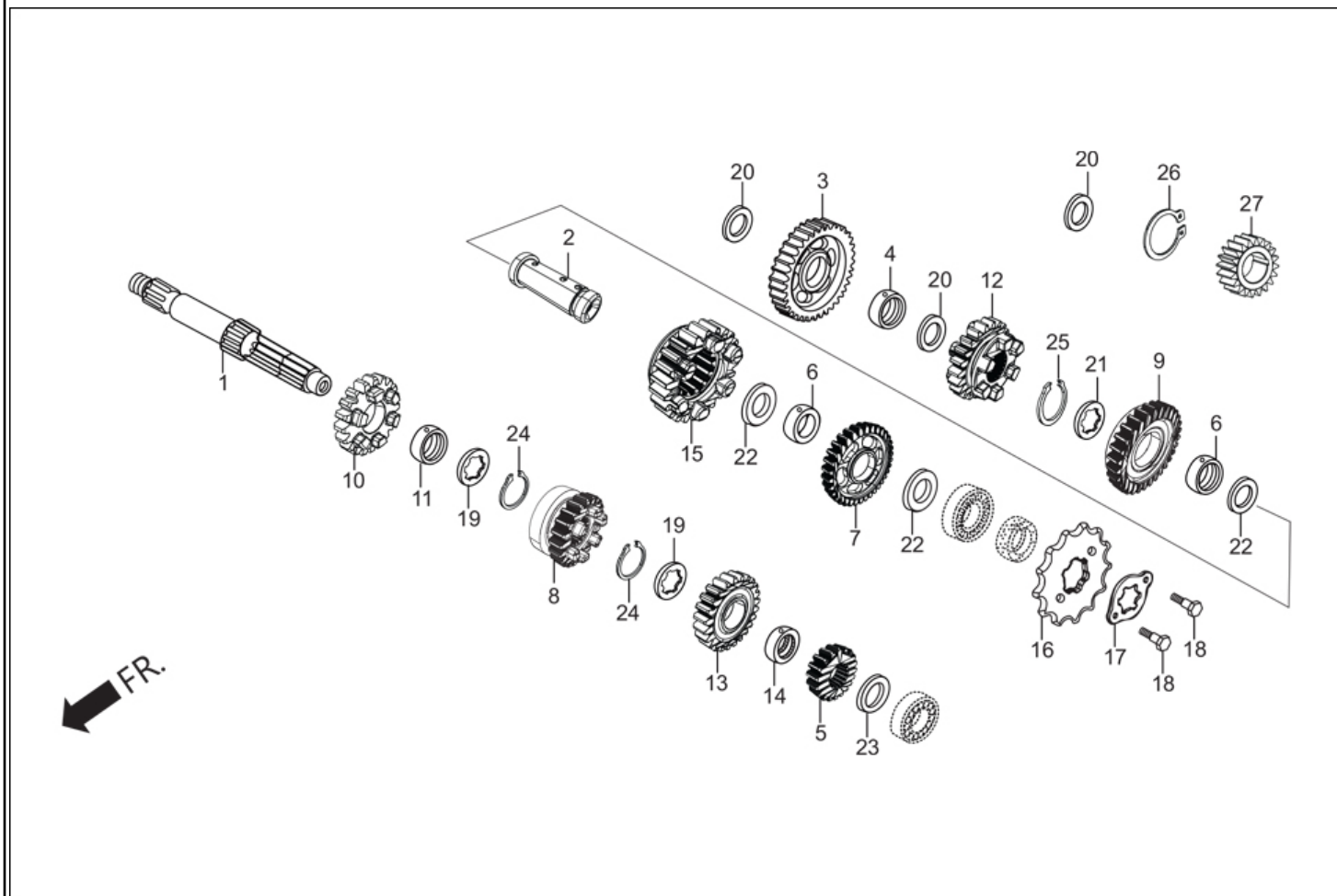
E-7 : CRANK SHAFT (CRANK SHAFT / PISTON)



Group Number: E-7 Model :: Xpulse 200FI (May, 2019)

Ref No.	Part Number	Description	Req.
1	13000-ABF-000	CRANK SHAFT COMP	1
2	13101-ABF-000	PISTON	1
3	13111-ABF-000	PIN PISTON	1
4	13201-ABF-000	ROD CONNECTING	1
5	13011-ABF-001	RING SET PISTON STD	1
6	13411-AAB-A00	GEAR BALANCER DRIVE	1
7	13420-AAB-A00	GEAR ASSY BALANCER DRIVEN	1
8	94601-15000	CLIP,PISTON PIN,15 MM	2
9	94050-12000	NUT, FLANGE, 12 MM	1
10	13427-AAB-A00	SPRING DAMPER	3
11	13538-AAB-A00	SPRING THRUST	1
12	14311-AAB-A00	SPROCKET TIMING	1
13	90402-AAB-A00	WASHER 28.1X36.5X1.8	1
14	90403-AAB-A00	WASHER 28.1X45.5X1.4	1
15	90604-AAB-A00	CIRCLIP EXTERNAL 28	1
16	90741-KGH-900	KEY, WOODRUFF, 4 MM	3
17	90741-KFB-000	KEY,WOODRUFF,4 MM	1
18	91002-KSP-911	BRG. BALL, RADIAL, 6207 SPL. L	1
19	91101-ABF-000	CON ROD BRG RED	1
	91102-ABF-000	CON ROD BRG BLUE	1
	91103-ABF-000	CON ROD BRG WHITE	1
20	13421-ABF-000	BALANCER SHAFT	1

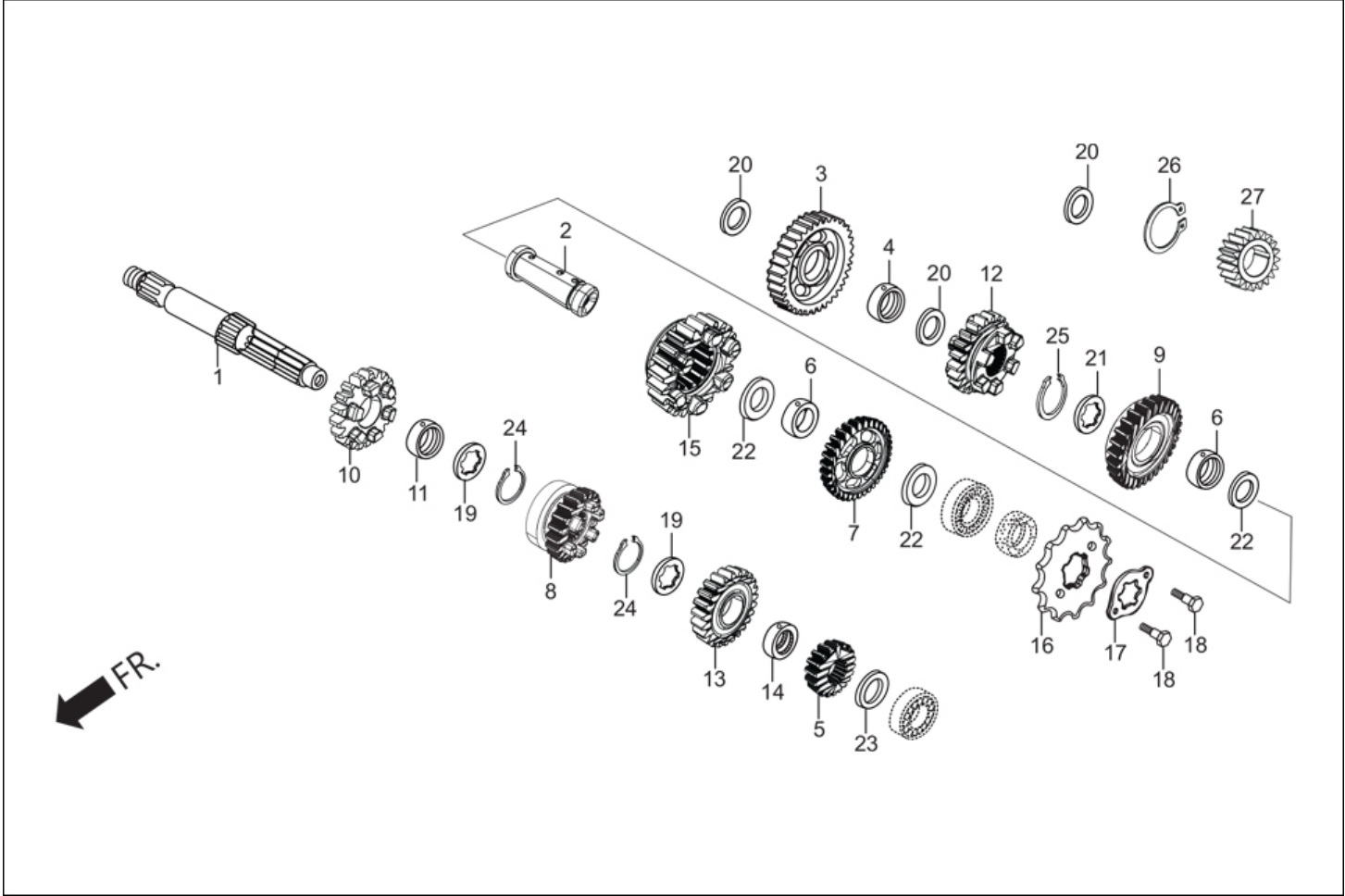
E-8 : TRANSMISSION



Group Number: E-8 Model :: Xpulse 200FI (May, 2019)

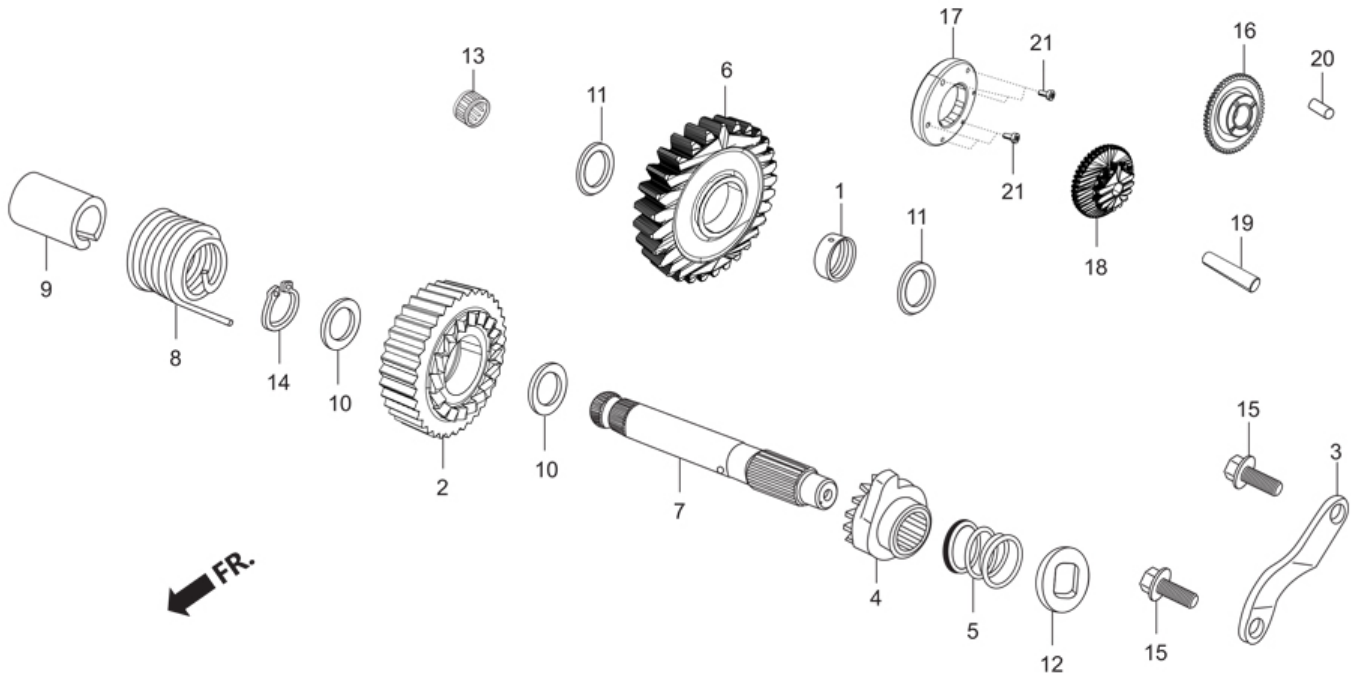
Ref No.	Part Number	Description	Req.
1	23210-KVN-900	SHAFT COMP., MAIN TRANS	1
2	23220-AAB-A00	SHAFT COMP COUNTER	1
3	23421-KVN-900	GEAR, C-1, (40 T)	1
4	23427-KRM-840	BUSH, 17 X 20.5 X 8	1
5	23431-AAB-A00	GEAR M-2 (19T)	1
6	23432-KRM-840	BUSH, 20 MM	2
7	23441-AAB-A00	GEAR C-2 (34T)	1
8	23451-AAB-A00	GEAR M-3(23 T)	1
9	23461-AAB-A00	GEAR C-3 (30T)	1
10	23471-AAB-A00	GEAR M-4 (20T)	1
11	23472-KSP-910	BUSH 17 MM	1
12	23481-AAB-A00	GEAR C-4 (22T)	1
13	23491-AAB-A00	GEAR M-5 (24T)	1
14	23492-KSP-910	COLLAR SPLINE 17X20X11	1
15	23501-AAB-A00	GEAR C-5 (23T)	1
16	23801-KRY-970	SPROCKET DRIVE 13T	1
17	23811-KR3-600	PLATE, A2 FIXING	1
18	90084-041-000	BOLT, DRIVE SPRKT, FIXING	2
19	90452-KRM-840	WASHER ,17 X 23 X1.6	2
20	90452-GB4-770	WASHER, THRUST, 17MM	3
21	90453-KRM-840	WASHER SPLINE 20 MM	1
22	90454-107-000	WASHER ,THRUST, 20MM	3
23	90456-KRM-840	WASHER, THURST, 12MM	1
24	90601-AAB-A00	CIRCLIP 17 MM	2

E-8 : TRANSMISSION



25	90605-200-000	SET RING, 20MM	1
26	90602-KRM-840	CIRCLIP, EXTERNAL, 17 MM	1
27	23121-KVE-860	GEAR PRIMARY DRIVE	1

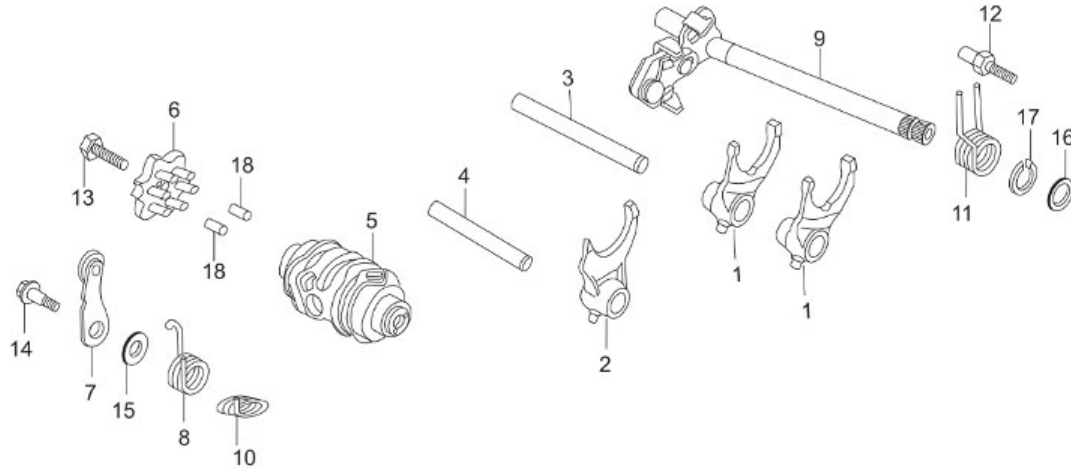
E-9 : KICK STARTER (SPINDLE KICK STARTER)



Group Number: E-9 Model :: Xpulse 200FI (May, 2019)

Ref No.	Part Number	Description	Req.
1	23427-KRM-840	BUSH, 17 X 20.5 X 8	1
2	28211-AAB-A00	PINION KICK STARTER	1
3	28215-KRM-840	PLATE, KICK STOPPER	1
4	28221-KTN-900	RATCHET, STARTER	1
5	28223-KRM-840	SPRING, RATCHET	1
6	28231-AAB-A00	GEAR KICK IDLE STARTER	1
7	28251-KTN-900	SPINDLE, KICK STARTER	1
8	28261-KRM-840	SPG., KICK RETURN	1
9	28282-KRM-840	COLLAR, KICK SPG.	1
10	90451-KRM-840	WASHER, THRUST, 16 MM	2
11	90452-GB4-770	WASHER, THRUST, 17MM	2
12	90455-KSP-910	WASHER, SPL., 14 MM	1
13	91022-KTN-900	BEARING NEEDLE, 22 X 29 X 16.8	1
14	94510-16000	CIRCLIP, EXTERNAL, 16 MM	1
15	95701-06016-00	BOLT, FLANGE, 6X16	2
16	28110-KTN-900	GEAR COMP., STARTER DRIVEN	1
17	28120-KTR-A00A	ASSY. ONEWAY CLUTCH	1
18	28131-KTN-900	GEAR STARTER REDUCTION	1
19	28132-KN6-930	SHAFT, REDUCTION GEAR	1
20	28133-KRM-850	COLLAR, STARTER REDUCTION	1
21	90085-KTC-920	BOLT, SOCKET, 6 X 14	6

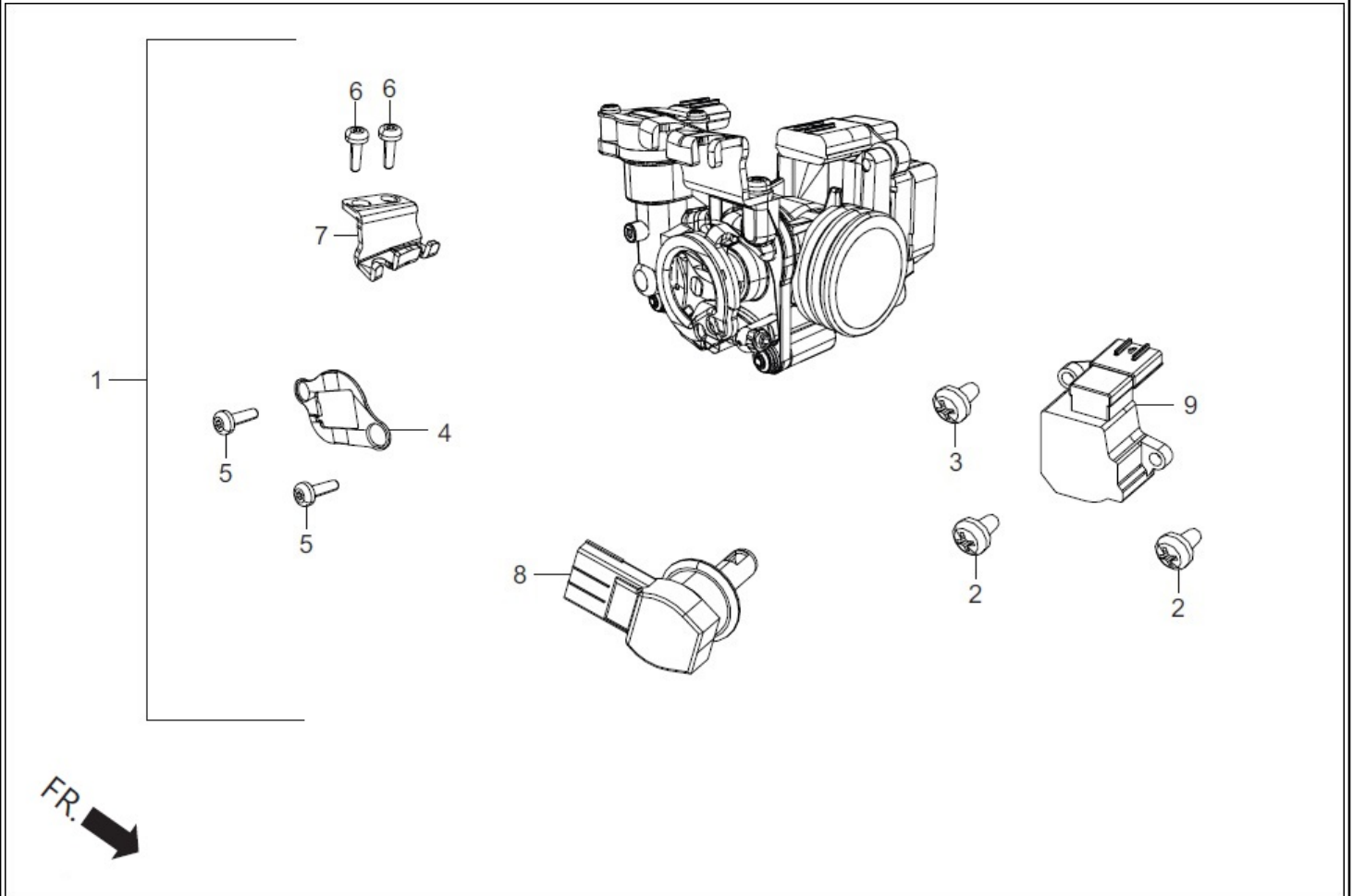
E-10 : GEAR SHIFT (DRUM GEAR SHIFT)



Group Number: E-10 Model :: Xpulse 200FI (May, 2019)

Ref No.	Part Number	Description	Req.
1	24211-KRM-840	FORK, R/L, GEAR SHIFT	2
2	24212-KRM-840	FORK, CENTER, GEAR SHIFT	1
3	24241-KRM-840	SHAFT, A GEAR SHIFT FORK	1
4	24242-KRM-840	SHAFT, B GEAR SHIFT FORK	1
5	24301-KSP-910	DRUM GEAR SHIFT	1
6	24410-KSP-860	PLATE, COMP., SHIFT DRUM STOPPER	1
7	24430-KTN-900	STOPR COMP., GEAR SHIFT DRUM	1
8	24436-KSP-910	SPRING, DRUM STOPPER	1
9	24610-KSP-910	SPINDLE, COMP., GEAR SHIFT	1
10	24627-KRM-840	SPRING GEAR SHIFTER RESET	1
11	24651-KSP-910	SPRING, SHIFT RETURN	1
12	24652-KSP-910	PIN, SHIFT, RETURN SPRING	1
13	90003-KVS-900	BOLT HEX.6X20	1
14	90022-MG8-000	PIVOT, SHIFT DRUM STOPR. ARM	1
15	90417-KRM-840	WASHER DRUM STOPPER	1
16	90457-KRM-840	WASHER, 14 MM	1
17	94510-14000	CIRCLIP, EXTERNAL, 14 MM	1
18	96220-30085	ROLLER, 3 X 8.5	2

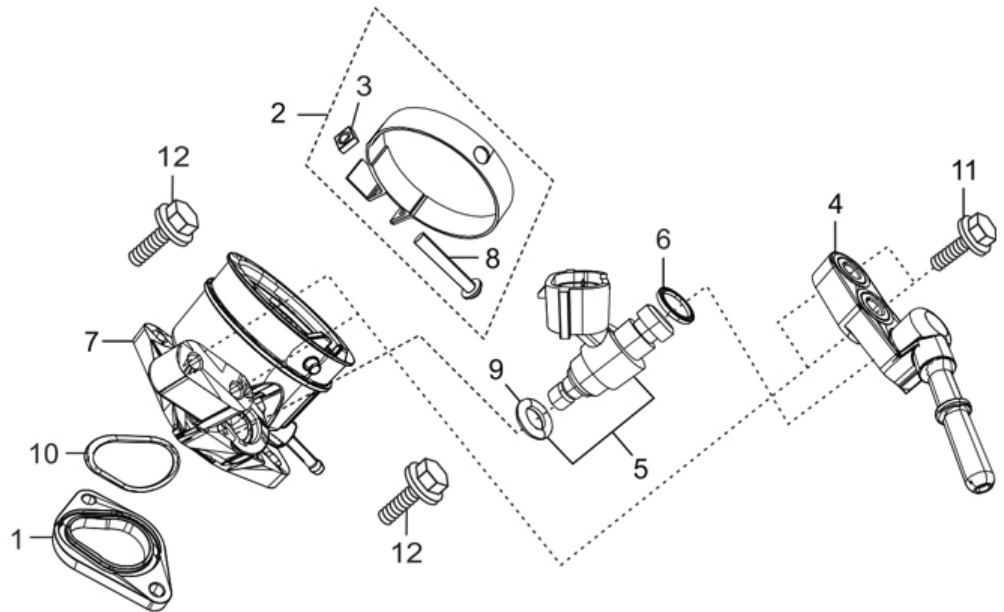
E-11 : THROTTLE BODY ASSY



Group Number: E-11 Model :: Xpulse 200FI (May, 2019)

Ref No.	Part Number	Description	Req.
1	16400-ABW-200	THROTTLE BODY ASSY	1
2	16081-AAR-001	SCREW TORX 5X8.7	2
3	16082-AAR-001	SCREW TOR 5X17	1
4	16432-ABW-200	PLATE, ISC	1
5	16433-AAR-001	SCREW, TORX	2
6	93892-AAR-001	SCREW WASHER , 5 X 12	2
7	16169-ABW-200	STAY,WIRE	1
8	16430-ABW-200	ISC SET	1
9	16060-ABW-200	SENSOR SET	1

E-11A : (INSULATOR ASSY/INLET PIPE)

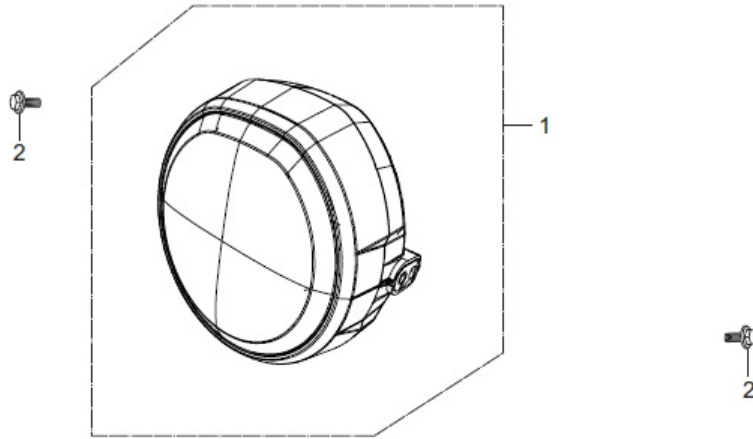


← FR.

Group Number: E-11A **Model ::** Xpulse 200FI (May, 2019)

Ref No.	Part Number	Description	Req.
1	16210-ABW-200	INSULATOR	1
2	16217-KRY-970	BAND INSULATOR	1
3	16222-KSP-910	NUT, SQUARE, 5 MM	1
4	16424-ABW-200	INJECTOR CAP ASSEMBLY	1
5	16460-ABW-200	INJECTOR ASSY FUEL	1
6	16472-AAR-001	SEAL RING INJECTOR	1
7	17110-ABW-200	PIPE COMP INLET	1
8	90006-MEE-000	BOLT RECESSED 5 X 30	1
9	91301-AAR-001	O-RING, 6.3 X 2.2	1
10	91304-ABW-200	O-RING Ø3	1
11	95701-05018-00	BOLT, FLANGE, 5X18	2
12	95701-06025-00	BOLT, FLANGE, 6X 25	2

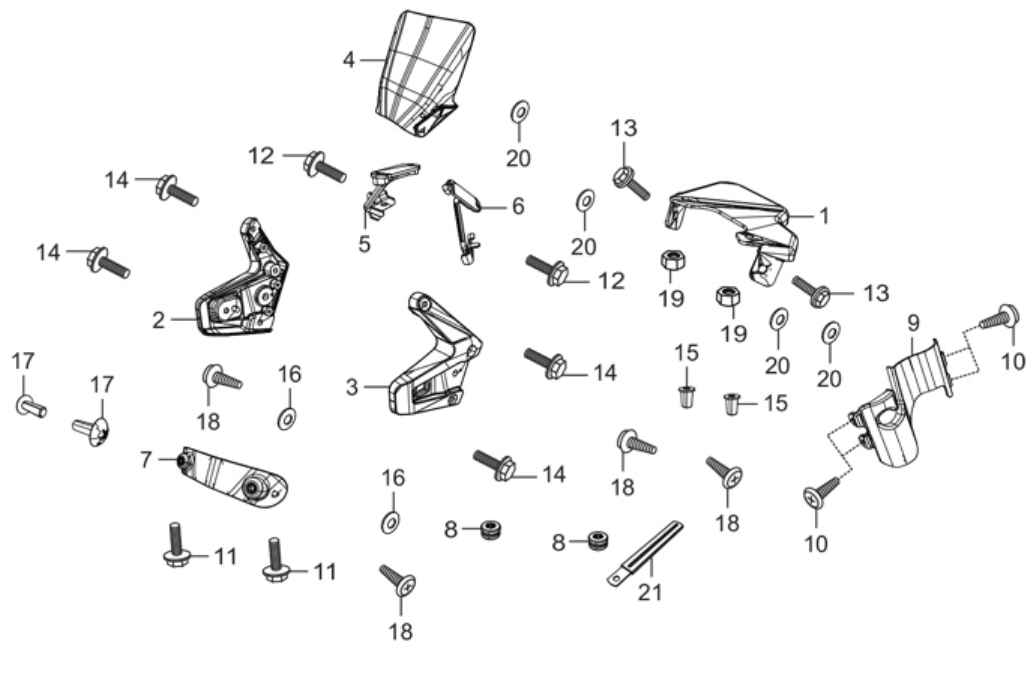
F-1 : HEAD LIGHT



Group Number: F-1 **Model ::** Xpulse 200FI (May, 2019)

Ref No.	Part Number	Description	Req.
1	3310B-ABW-201	LIGHT ASSY HEAD	1
2	96001-06014-00	BOLT, FLANGE, SH. 6 X 14	2

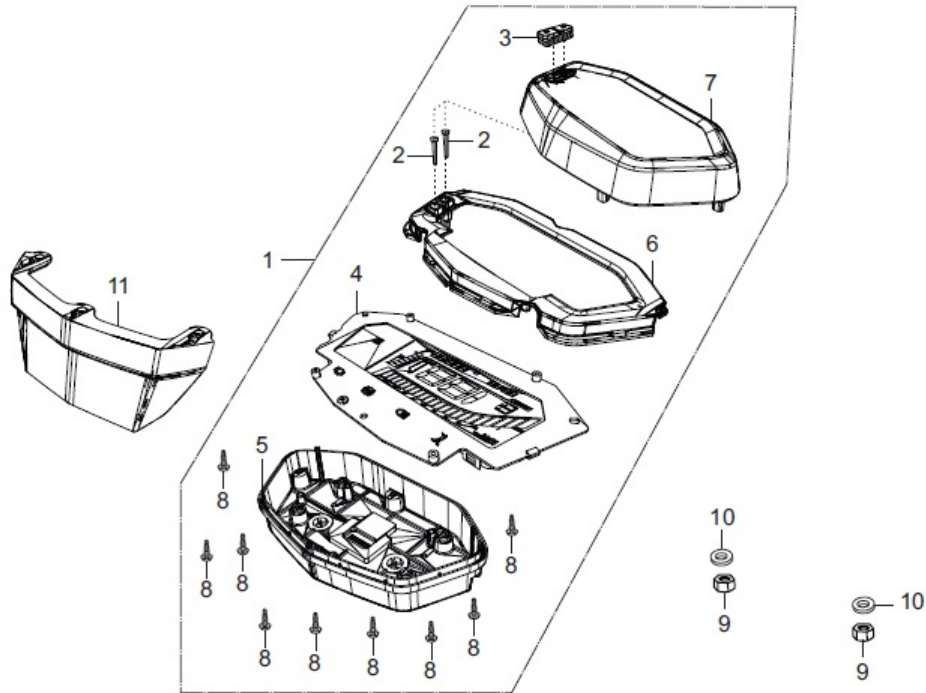
F-1A : FAIRING (FR. VISOR/COWL/STAY)



Group Number: F-1A Model :: Xpulse 200FI (May, 2019)

Ref No.	Part Number	Description	Req.
1	61312-ABW-000	STAY METER MTG.	1
2	61313-ABW-100	BRACKET HEADLIGHT R	1
3	61314-ABW-100	BRACKET HEADLIGHT L	1
4	64140-ABW-100	SCREEN WIND	1
5	64141-ABW-000	STAY SCREEN WIND R COMP	1
6	64142-ABW-000	STAY SCREEN WIND L COMP	1
7	64315-ABW-100	STAY FR NO PLATE COMP	1
8	77209-KAG-900	RUBBER, SEAT STAY MOUNT	2
9	83402-ABW-000	PANEL INNER	1
10	93500-05010-1A	SCREW, PAN, 5X10	4
11	96001-06010-00	BOLT FLANGE SH. 6×10	2
12	96001-06010-00	BOLT FLANGE SH. 6×10	2
13	96001-06016-00	BOLT, FLANGE SH. 6 X 16	2
14	96001-06020-00	BOLT, FLANGE, SH. 6 X 20	4
15	90111-KW3-000	NUT COWL SET M5X0.8	2
16	90504-964-000	WASHER, THRUST, 5MM	2
17	90109-SB6-000	SCREW, TRUSS, 5X14	2
18	91509-GE2-760	SCREW, WASHER, 5 X 11.5	4
19	94001-06000-0S	NUT, HEX., 6 MM	2
20	90504-KWA-940	WASHER SCREEN	4
21	91410-ABW-000	CLIP 3X130	1

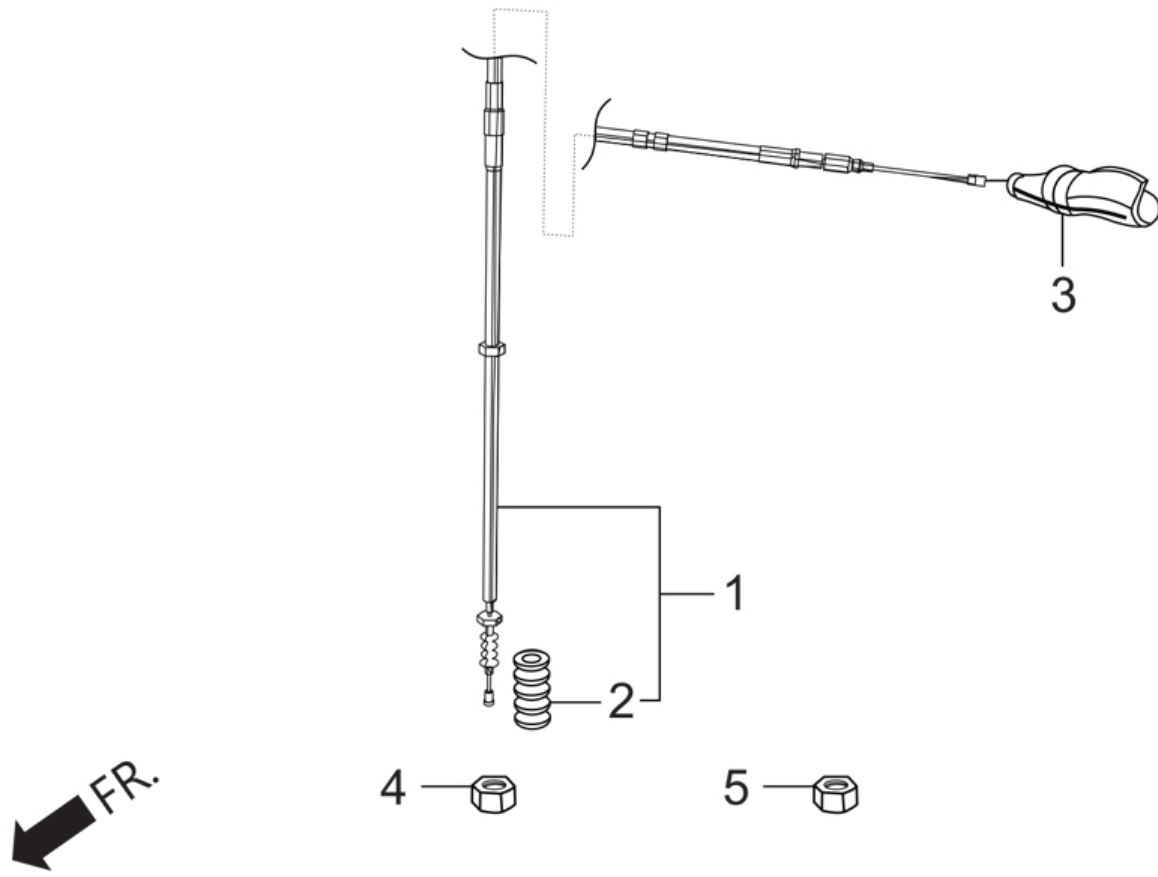
F-2 : SPEEDOMETER / CABLE



Group Number: F-2 **Model ::** Xpulse 200FI (May, 2019)

Ref No.	Part Number	Description	Req.
1	37100-ABW-301	METER ASSY COMB	1
2	37202-ABW-001	KEY TOP	2
3	37203-ABW-001	SW RUBBER	1
4	37210-ABW-301	SPEEDOMETER COMP	1
5	37610-ABW-001	LOWER CASE ASSY	1
6	37611-ABW-201	REFLECTOR ASSY	1
7	37612-ABW-001	UPPER CASE ASSY	1
8	93903-22480	SCREW TAPPING 3 X 16	9
9	94001-06070-0S	NUT, HEX., 6 MM	2
10	94103-06700	WASHER, PLAIN, 6 MM	2
11	37101-ABW-001	COVER METER ASSY COMB	1

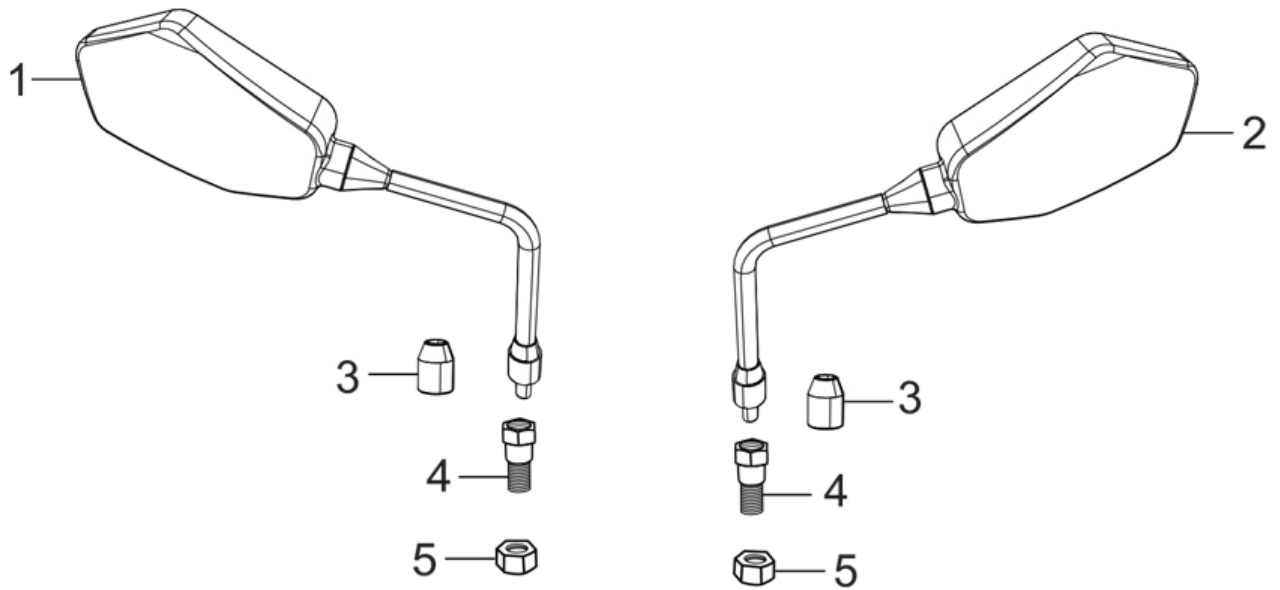
F-3 : HANDLE LEVER / SWITCH/ CABLES



Group Number: F-3 Model :: Xpulse 200FI (May, 2019)

Ref No.	Part Number	Description	Req.
1	22870-ABW-100	CABLE COMP CLUTCH	1
2	22871-KTN-700	BOOT, CLUTCH CABLE	1
3	53182-KFN-850	BOOT, L HANDLE LEVER	1
4	94002-08000-0S	NUT HEX.8 MM	1
5	94030-08000	NUT, HEX., 8 MM	1

F-3A : MIRROR ASSY.

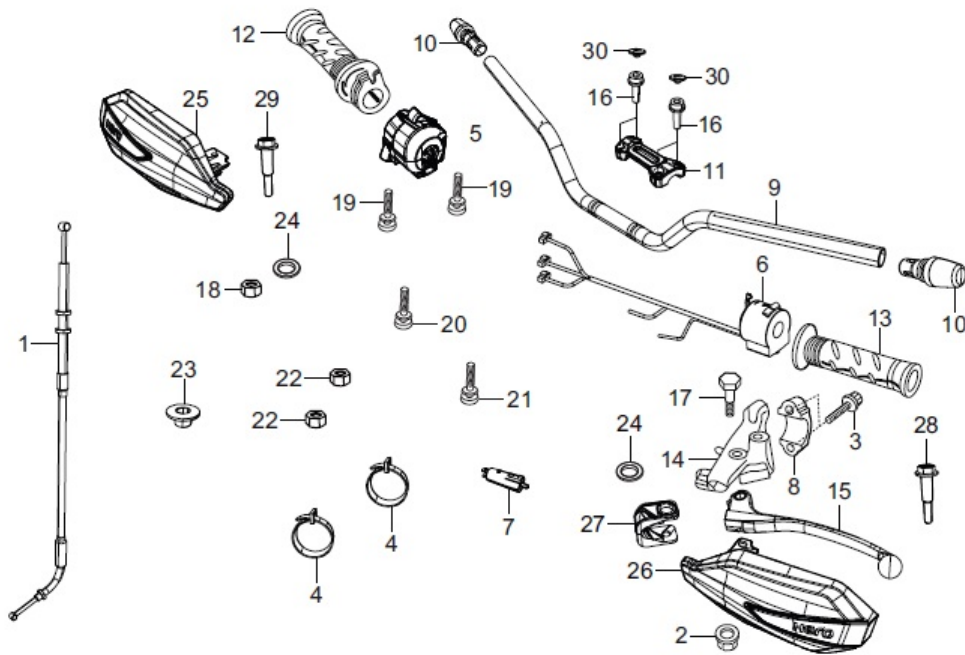


FR.

Group Number: F-3A Model :: Xpulse 200FI (May, 2019)

Ref No.	Part Number	Description	Req.
1	88120-AAB-100R	MIRROR ASSY R BACK (MAT AXIS GRAY ME.)	1
2	88110-AAB-100R	MIRROR ASSY L BACK (MAT AXIS GRAY ME.)	1
3	88114-198-D10	CAP, LOCK NUT	2
4	90003-MY5-720	BOLT,ADPT.10MM	2
5	90201-MW3-620	NUT, HEX., 10MM	2

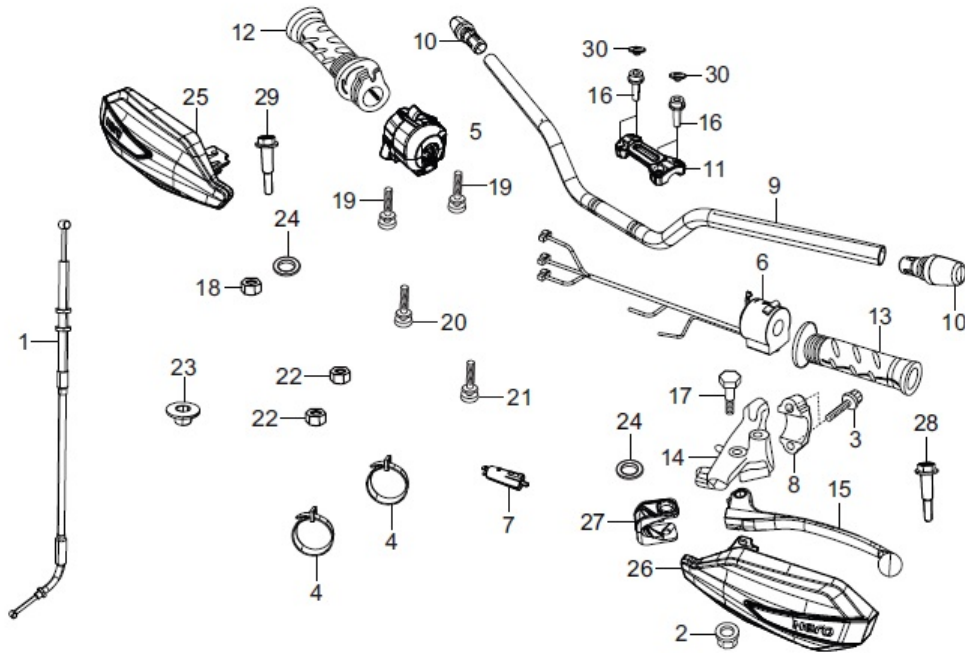
F-3B : HANDLE & HNDL COVER (HANDLE LEVER/SWITCH/CABLES)



Group Number: F-3B Model :: Xpulse 200FI (May, 2019)

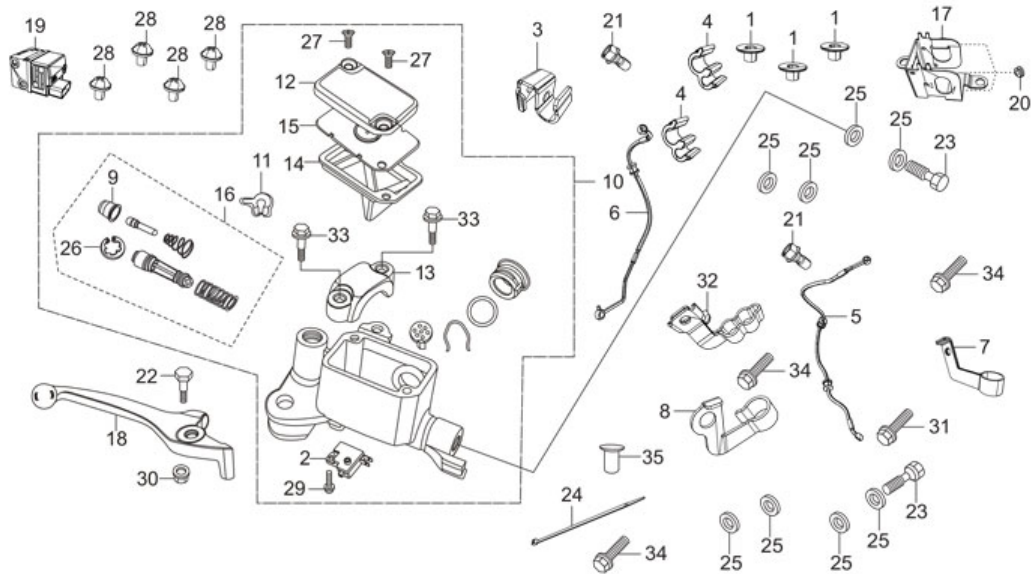
Ref No.	Part Number	Description	Req.
1	17910-AAB-C00	CABLE COMP. THROT	1
2	94050-06000	NUT, FLANGE, 6 MM	1
3	96001-06022-07	BOLT, FLANGE, SH.6X22	2
4	32161-404-000	BAND B-1,WIRE	2
5	35150-AAB-A01	SW ASSY ENG ST AND START	1
6	35200-ABW-001	SW. ASSY. WINKER	1
7	35330-413-003	SW. COMP., FR. LEVER	1
8	45517-166-000	HOLDER, MASTER CYLINDER	1
9	53100-ABW-300	PIPE STRG HANDLE	1
10	53105-KRC-900	END STRG. HANDLE	2
11	53131-AAB-A00	HOLDER HANDLE UP	1
12	53140-KVE-860	GRIP COMP THROT	1
13	53166-KVE-860	GRIP L HANDLE	1
14	53172-KRC-900	BRACKET, HANDLE LEVER	1
15	53178-KFN-850	LEVER COMP., L HANDLE	1
16	90102-KVN-900	BOLT, SP. FLANGE SOCKET 6 X 22	4
17	90113-438-000	BOLT, HANDLE LEVER PIVOT	1
18	94002-10070-0S	NUT, HEX., 10MM	1
19	93892-05020-07	SCREW, WASHER, 5X20	2
20	93892-05025-07	SCREW, WASHER, 5X25	1
21	93892-05045-07	SCREW, WASHER, 5X45	1
22	94002-06000-0S	NUT, HEX 6MM	2
23	90501-KCC-870	COLLAR, FR. FENDER SET	1
24	94102-10000	WASHER, PLAIN, 10MM	2

F-3B : HANDLE & HNDL COVER (HANDLE LEVER/SWITCH/CABLES)



25	53181-ABW-100X	HAND GUARD RH (PIGMENTED BLACK)	1
	53181-ABW-100Z	HAND GUARD RH (PIGMENTED WHITE)	1
26	53182-ABW-100X	HAND GUARD LH (PIGMENTED BLACK)	1
	53182-ABW-100Z	HAND GUARD LH (PIGMENTED WHITE)	1
27	53184-AAM-410	HAND GUARD STOPPER LH	1
28	90113-AAM-410	BOLT HNDL. LEVER PIVOT	1
	90114-AAM-400	BOLT LEVER PIVOT	1
30	91455-MG8-000	CAP, SOC BOLT 6 MM	4

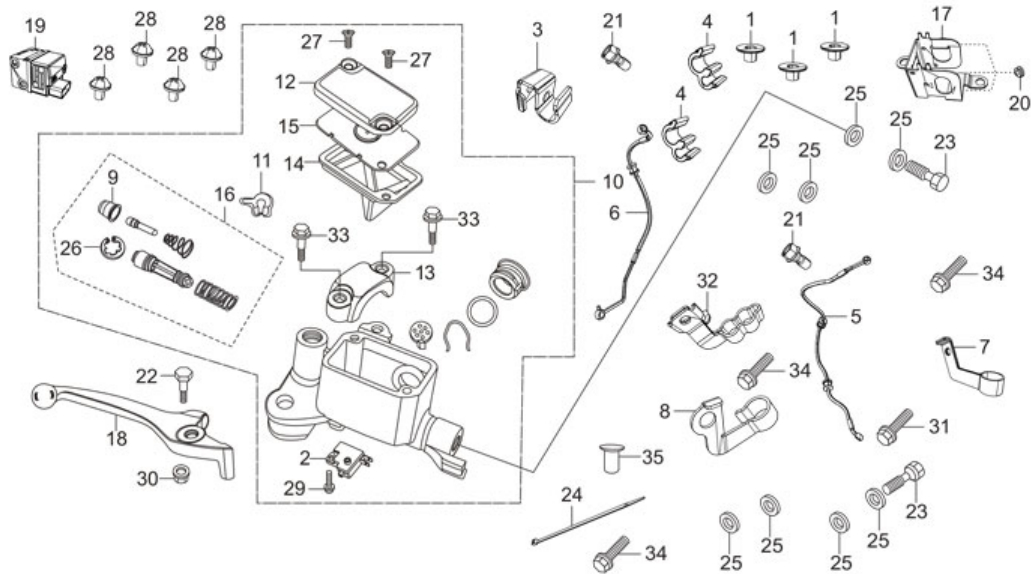
F-4A : FRONT BRAKE (MASTER CYLINDER) (ABS)



Group Number: F-4A Model :: Xpulse 200FI (May, 2019)

Ref No.	Part Number	Description	Req.
1	19052-AAB-A00	COLLAR ABS UNIT MOUNTING	3
2	35340-MA5-670L	SW. ASSY. FR. STOP	1
3	38521-ABW-100	CLAMPER SENSOR FR WHEEL SPEED	1
4	43301-AAB-A00	CLIP BRAKE LINE	2
5	45126-ABW-100	HOSE COMP FR BRAKE	1
6	45128-ABW-000	BRK HOSE ASSY. HECU TO M/C	1
7	45154-ABW-000	CLAMPER A FR. BRAKE	1
8	45156-ABW-100	CLAMPER B FR.BRAKE	1
9	45504-410-003L	BOOT COMP.	1
10	45510-KRY-972	M/C SUB ASSY., FRONT BRAKE	1
11	45512-MA6-006	PROTECTOR	1
12	45513-HA2-006L	CAP M/C	1
13	45517-166-000	HOLDER, MASTER CYLINDER	1
14	45520-GE2-006	DIAPHRAGM	1
15	45521-K21-901	PLATE, DIAPHRAGM	1
16	45530-471-831L	CYLINDER SET MASTER	1
17	50207-ABW-100	MT UPPER BRACKET ABS CONTROL UNIT	1
18	53175-KFN-850L	LEVER, RIGHT STRG. HANDLE	1
19	57111-ABW-100	HECU MINI MAB SPD	1
20	83545-AAB-A00	RUBBER ABS UNIT MOUNTING	3
21	90042-AAB-A00	BANJO BOLT M10X1	2
22	90114-166-000L	BOLT HANDLE LEVER	1
23	90145-MS9-610	OIL BOLT, 10 X 22	2
24	90652-AAW-300	CABLE TIE	4

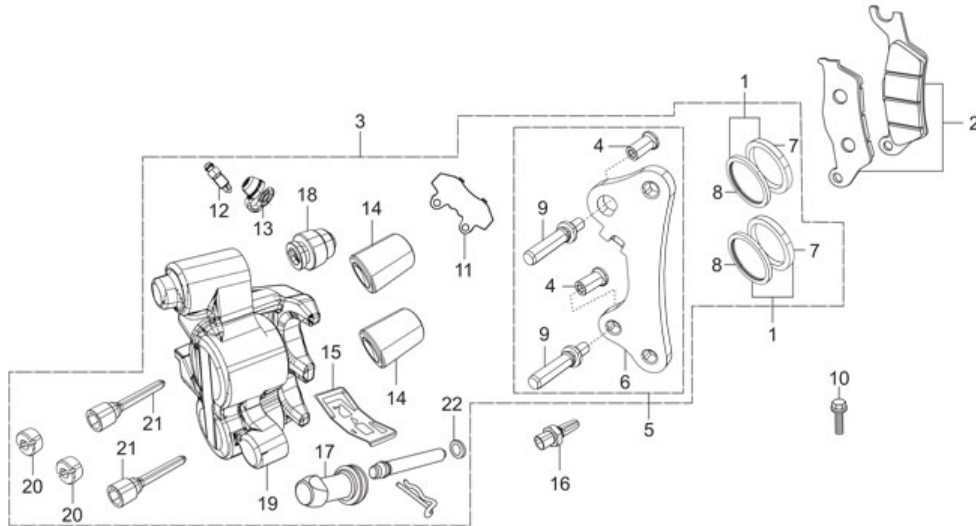
F-4A : FRONT BRAKE (MASTER CYLINDER) (ABS)



FR.

25	90545-300-000	WASHER ,OIL BOLT	8
26	90651-MA5-671L	CIRCLIP	1
27	93600-04012-1GL	SCREW FLAT 4X12	2
28	93891-05008-00	SCREW WASH 5X8	4
29	93893-04012-17L	SCREW WASHER 4X12	1
30	94050-06000	NUT, FLANGE, 6 MM	1
31	95701-06012-07	BOLT, FLANGE, 6X12	2
32	45157-ABW-100	CLAMPER C FR. BRAKE	1
33	96001-06022-07	BOLT, FLANGE, SH.6X22	2
34	95701-06018-00	BOLT FLANGE 6X18	3
35	53174-116-670	PLUG HANDLE LEVER	1

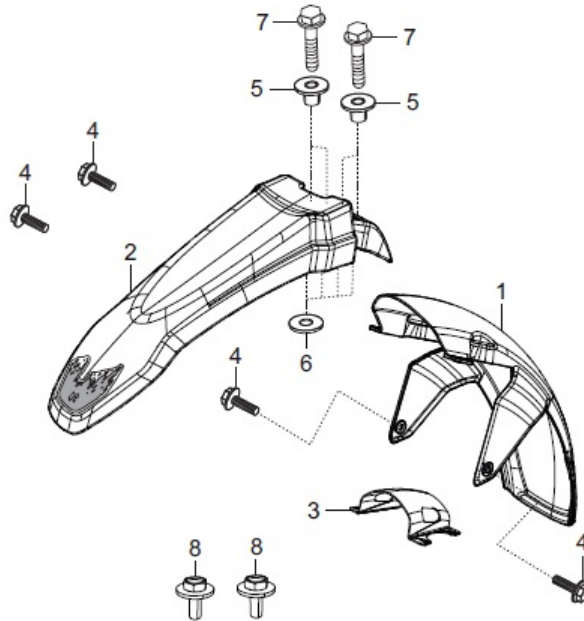
F-4B : FRONT BRAKE (CALIPER ASSY 'R' FR.)



Group Number: F-4B **Model ::** Xpulse 200FI (May, 2019)

Ref No.	Part Number	Description	Req.
1	06451-GE2-405L	SEAL SET PISTON	2
2	06455-GCR-016L	PAD SET FRONT	1
3	45250-KRY-901	CALIPER SUB ASSY., R FR	1
4	45216-KW6-901L	TORQUE NUT	2
5	45290-KGB-611L	BRKT.SUB ASSY.R FR.CALIPER	1
6	45210-KR3-871L	BRACKET RIGHT	1
7	45209-GE2-006L	SEAL PISTON	2
8	45109-GE2-006L	DUST SEAL	2
9	45131-GE2-006L	PIN BOLT A	2
10	95701-06020-07	BOLT, FLANGE, 6 X 20	1
11	43114-KW6-842L	SHIM B	1
12	43352-568-003L	SCREW BLEEDER	1
13	43353-461-771L	CAP BLEEDER	1
14	45107-MN5-006L	PISTON	2
15	45108-ML4-006L	PAD SPRING	1
16	45131-GZ0-006L	PIN BOLT	1
17	45132-166-016L	BUSH BOOT PIN	1
18	45133-MA3-006L	BOOT B	1
19	45201-GT4-691L	BODY CALIPER FR.	1
20	45203-MG3-016L	PLUG PIN	2
21	45215-KA3-732L	PIN HANGER	2
22	45216-166-006L	WASHER WAVE	1

F-5 : FRONT FENDER

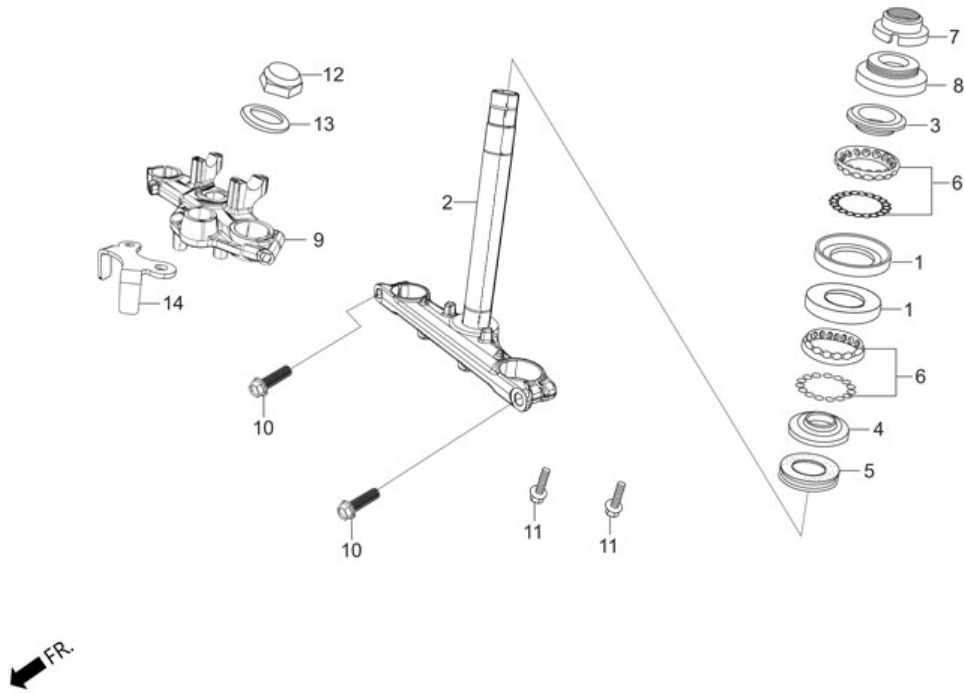


FR.

Group Number: F-5 Model :: Xpulse 200FI (May, 2019)

Ref No.	Part Number	Description	Req.
1	61100-ABW-100	FR FENDER A	1
2	61000-ABW-300R	SET FENDER B FRONT (MAGM, NH-303M)	1
	61000-ABW-300S	SET FENDER B FRONT (GR(BR)-001M(F))	1
	61000-ABW-300T	SET FENDER B FRONT (PFW, NH-341P)	1
	61000-ABW-100R	SET FENDER B FRONT (BLACK NH-1)	1
	61000-ABW-100S	SET FENDER B FRONT (SPORTS RED)	1
3	61102-ABW-100	STAY FRONT FENDER	1
4	90111-187-000	BOLT, FLANGE. 6 MM	4
5	90502-KVE-900	COLLAR RUBBER CUSHION	4
6	90525-030-000	WASHER, PLAIN	4
7	95701-06022-00	BOLT, FLANGE, SH. 6 X 22	4
8	93404-06016-07	BOLT-WASHER, 6 X 16	2

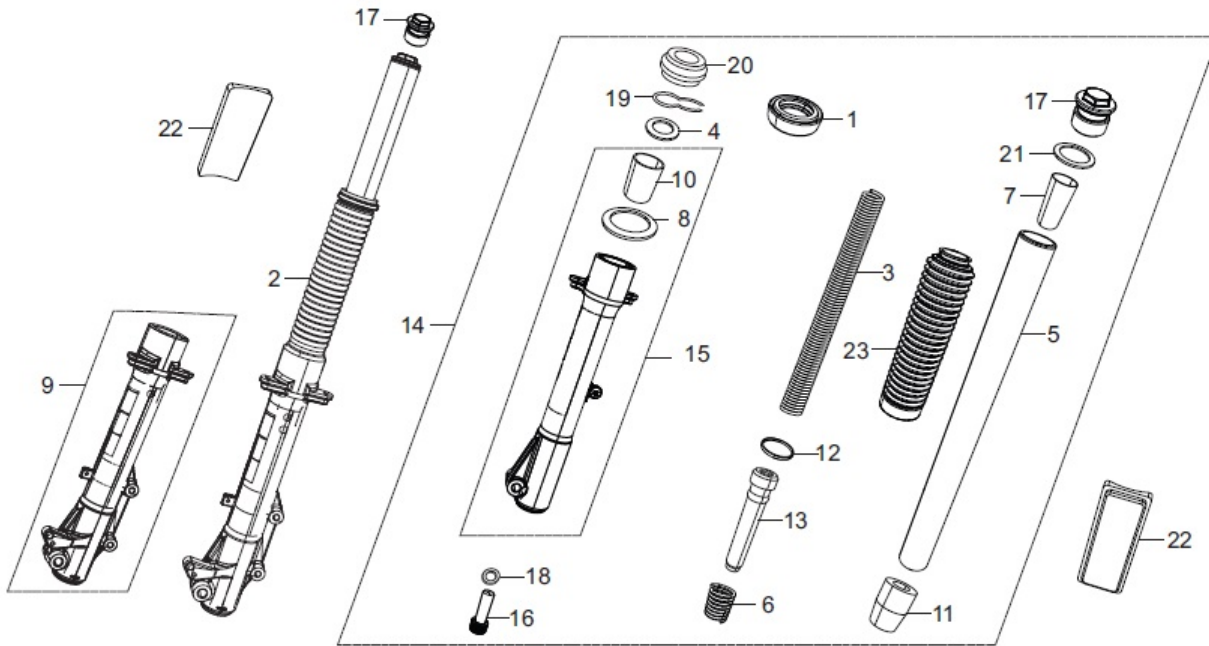
F-6 : FRONT CUSHION (STEERING STEM)



Group Number: F-6 **Model ::** Xpulse 200FI (May, 2019)

Ref No.	Part Number	Description	Req.
1	50301-KTR-900	RACE, STEERING BALL	2
2	53200-ABW-000	STEM COMP. STEERING	1
3	53211-268-010	RACE, STEERING TOP CONE	1
4	53212-200-000	RACE, STEERING BOTTOM CONE	1
5	53214-200-000	DUST SEAL, STEERING HEAD	1
6	53215-KTR-900	BALL, ASSY. STEERING	2
7	53220-KRY-970	THREAD COMP STRG TOP.	1
8	53222-KTR-900	MUD GUARD, STEERING HEAD TOP	1
9	53230-ABW-200	BRIDGE FORK TOP	1
10	95801-10040-07	BOLT FLANGE, 10 X 40	2
11	95801-10050-00	BOLT FLANGE 10X50	2
12	90304-KSP-900	NUT, STEERING STEM	1
13	90503-KTR-900	WASHER, STEERING STEM	1
14	35106-KTC-900	COVER, COMB. SWITCH	1

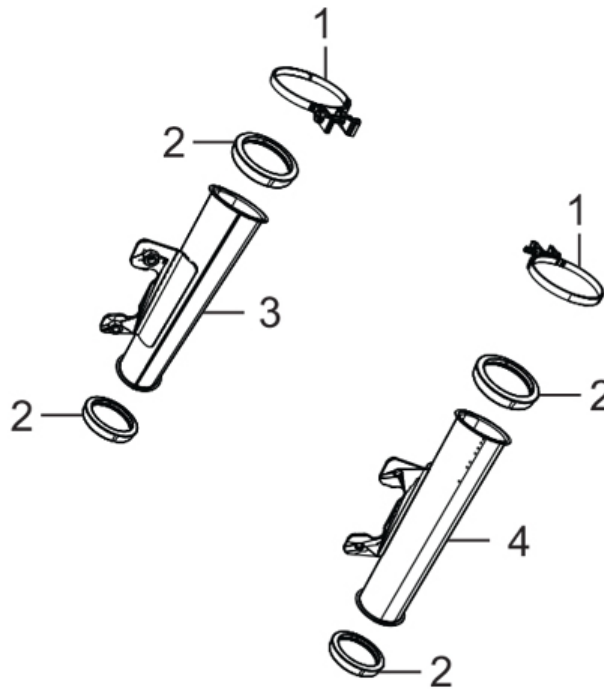
F-6A : FRONT CUSHION



Group Number: F-6A Model :: Xpulse 200FI (May, 2019)

Ref No.	Part Number	Description	Req.
1	91255-AAB-A02	SEAL OIL	2
2	51400-ABW-301	SET FORK ASSY R FR (MAGM, NH-303M)	1
3	51401-ABW-101	SPRING. FR FORK	2
4	51403-ABW-001	JOINT SPRING	2
5	51410-ABW-101	PIPE COMP. FR FORK	2
6	51412-ABW-101	SPRING, REBOUND	2
7	51413-ABW-101	SPACER TUBE/COLLAR SPRING	2
8	51419-AAB-A02	RING BACKUP (PLAIN WASHER)	2
9	51420-ABW-301	CASE COMP. R FR BOTTOM	1
10	51423-AAB-A02	SLIDE BUSH	2
11	51432-ABW-001	PIECE. OIL LOCK	2
12	51437-ABW-001	RING, PISTON	2
13	51440-ABW-101	PIPE SEAT	2
14	51500-ABW-301	SET FORK ASSY L FR (MAGM, NH-303M)	1
15	51520-ABW-301	CASE COMP. L FR BOTTOM	1
16	90116-AAB-A02	BOLT SOCKET	2
17	90123-AAB-A02	BOLT FR FORK	2
18	90544-AAB-A02	WASHER SPECIAL	2
19	90601-AAB-A02	RING OIL SEAL STOP	2
20	91254-AAB-A02	SEAL DUST	2
21	91356-AAB-A02	O RING	2
22	33741-AAS-001	REFLECTOR FRONT AMBER	2
23	51615-ABW-101	BOOT FR. FORK	2

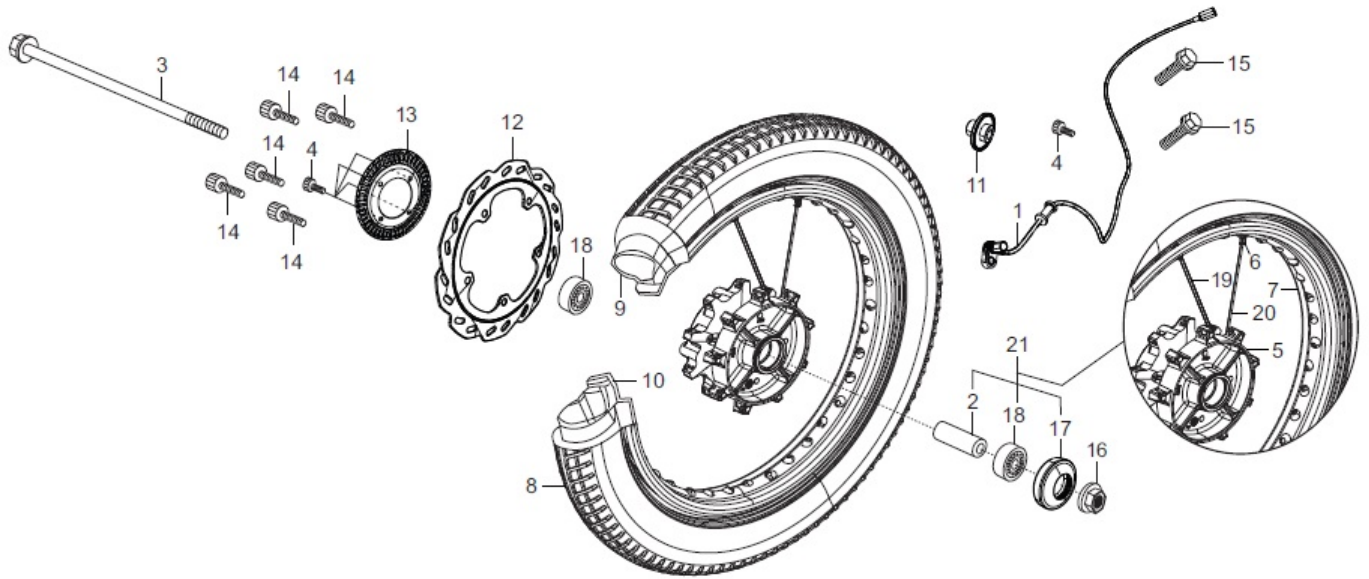
F-6B : FRONT CUSHION (COVER)



Group Number: F-6B Model :: Xpulse 200FI (May, 2019)

Ref No.	Part Number	Description	Req.
1	51617-ABW-101	BOOT CLAMP	2
2	51601-ABW-000	MOUNT RUBBER FORK COVER UP	4
3	51602-ABW-100	COVER COMP R FR FORK COVER	1
4	51606-ABW-100	COVER COMP L FR FORK COVER	1

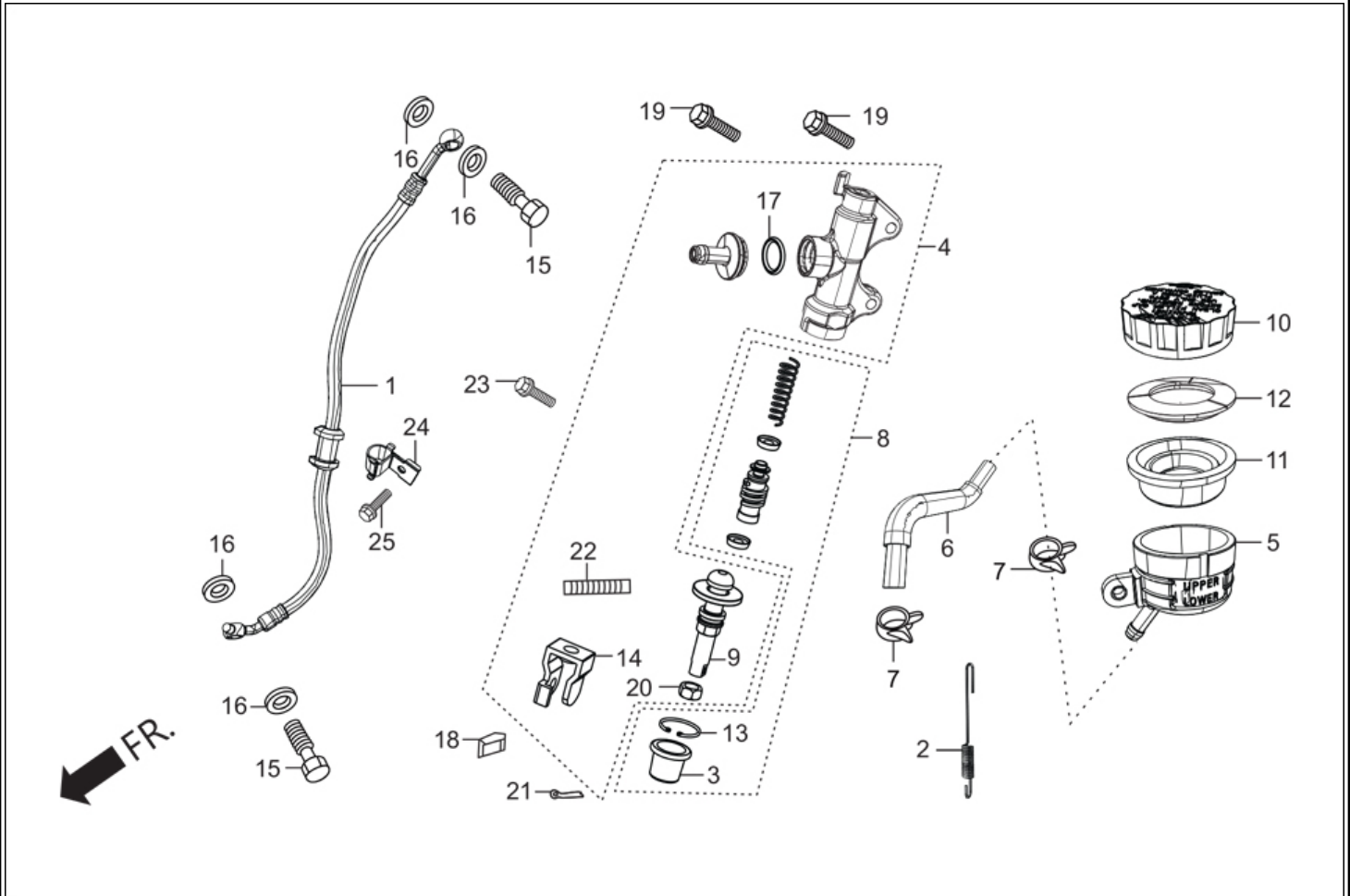
F-7 : FRONT WHEEL



Group Number: F-7 Model :: Xpulse 200FI (May, 2019)

Ref No.	Part Number	Description	Req.
1	38520-ABW-100	SENSOR FRONT WHEEL SPEED	1
2	42620-KTR-700	COLLAR, REAR AXLE DISTANCE	1
3	44301-AAB-A00	AXLE FR WHEEL	1
4	96600-05012-18	BOLT SOCKET 5X12	5
5	44601-ABW-100	HUB FRONT WHEEL	1
6	44603-ABW-100	NIPPLE SPOKE FRONT	36
7	44701-ABW-100	RIM FRONT WHEEL	1
8	44711-ABW-103	TYRE FRONT	1
9	44712-ABW-103	TUBE TYRE	1
10	44713-ABW-100	FLAP, TYRE FRONT	1
11	44802-AAB-A00	SLEEVE FR WHEEL (LH)	1
12	45251-ABZ-010	DISK, FR BRAKE	1
13	45252-AAB-A00	SENSOR RING FR DISC	1
14	90105-KL8-741	BOLT, FR.DISK, 8 X 24	5
15	90155-ABW-000	BOLT FLANGE 8X45	2
16	90306-KST-942	NUT, CASTLE, 12 MM	1
17	90755-229-000	OIL SEAL, 21 X 37 X 7	1
18	96140-63010-10	BEARING, RADIAL BALL, 6301U	2
19	97278-ABW-100	SPOKE FRONT B	18
20	97550-ABW-100	SPOKE FRONT A	18
21	44650-ABW-100	WHEEL SUB ASSY. FR.	1

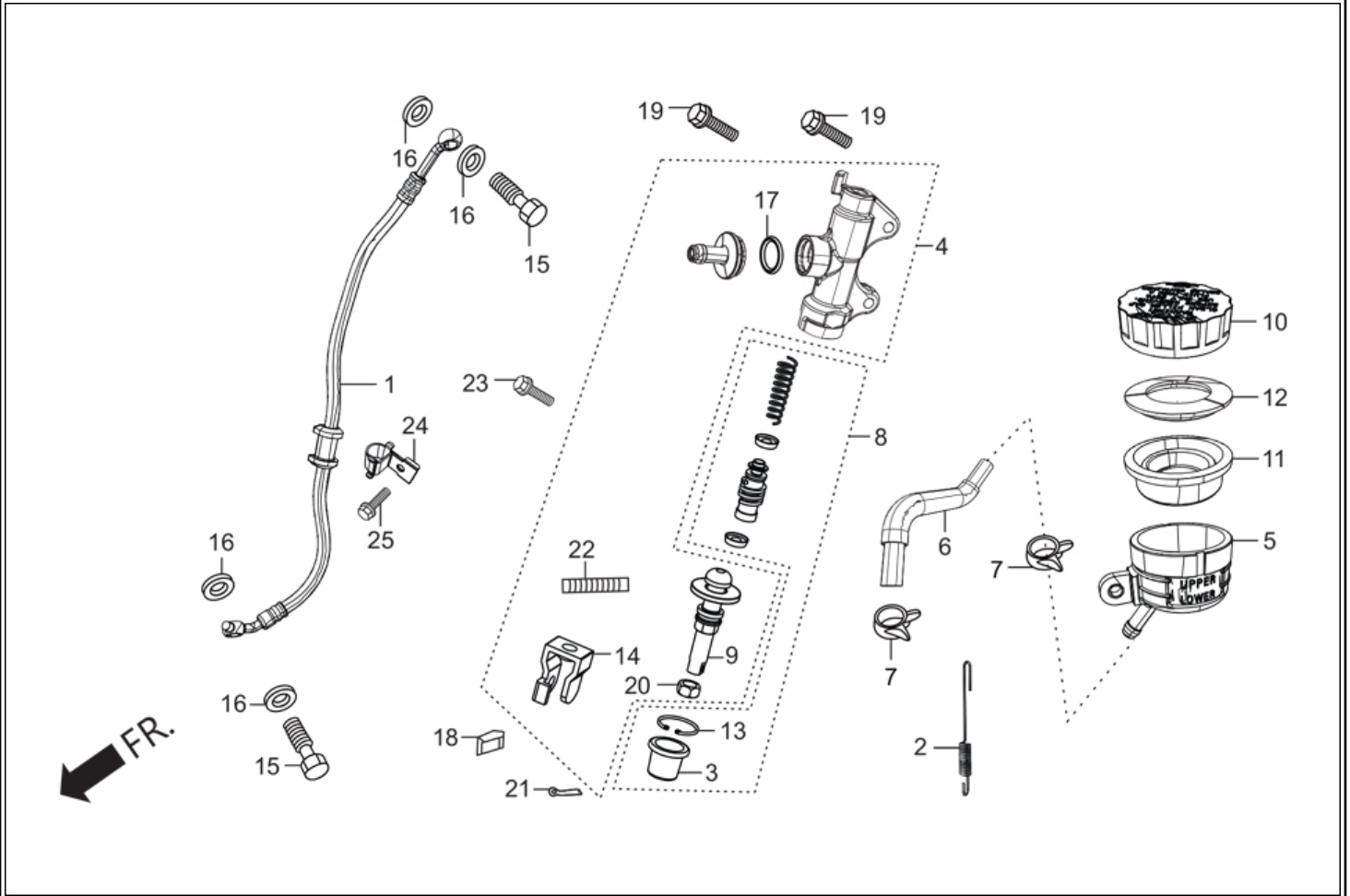
F-8 : REAR BRAKE(MASTER CYL.)



Group Number: F-8 Model :: Xpulse 200FI (May, 2019)

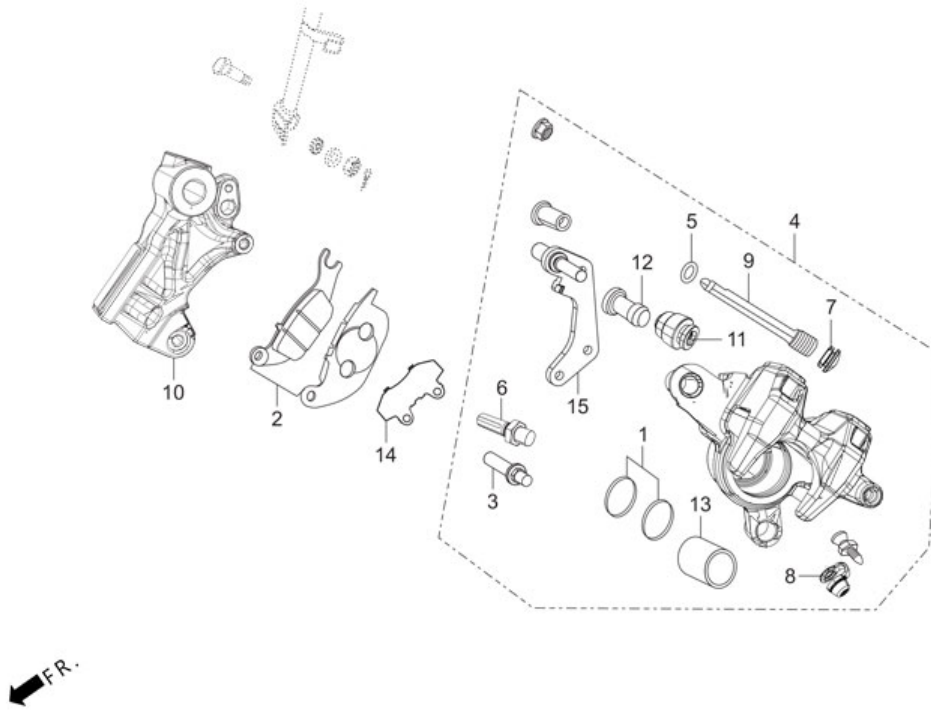
Ref No.	Part Number	Description	Req.
1	43310-ABW-100	HOSE COMP. RR BRAKE	1
2	35357-KVN-970	SPG,STOP SW	1
3	43504-MB2-006	BOOT COMP.	1
4	43510-ABW-000	SUB ASSY. REAR M/C	1
5	43511-ABW-100	OIL CUP COMP	1
6	43512-ABW-100	HOSE, M/C	1
7	43514-KS6-701	CLAMP. M/C OIL HOSE	2
8	43520-MJ6-315	PISTON SET M/C	1
9	43530-MV9-006	PUSH ROD COMP.	1
10	45513-ABW-100	CAP, M/C	1
11	45520-ABW-100	DIAPHRAGM	1
12	45521-ABW-100	PLATE, DIAPHRAGM	1
13	46182-MEL-D21	CIRCLIP	1
14	46504-KV6-702	JOINT BRK ROD	1
15	90145-MS9-610	OIL BOLT, 10 X 22	2
16	90545-300-000	WASHER ,OIL BOLT	4
17	91212-422-006	O RING	1
18	95015-54000	PIN D JOINT	1
19	95701-06022-00	BOLT, FLANGE, SH. 6 X 22	2
20	94002-08000-0S	NUT HEX.8 MM	1
21	94201-20150	PIN, SPLIT, 2.0 X 15	1
22	94305-20102	PIN SPRING 2X10	1
23	95701-06012-00	BOLT, FLANGE, 6X12	1
24	43155-KRY-970	CLAMPER RR BRAKE HOSE	1

F-8 : REAR BRAKE(MASTER CYL.)



25	90103-MCS-G00	BOLT, FLANGE SH.6X12	1
----	---------------	----------------------	---

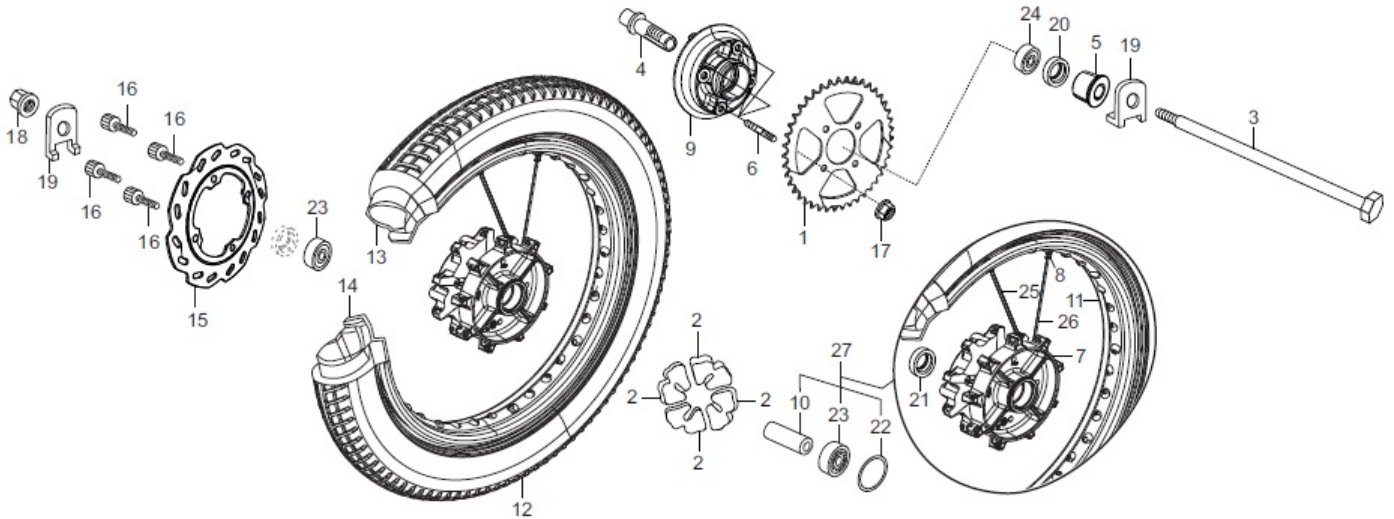
F-8A : REAR BRAKE (CALIPER ASSY. REAR)



Group Number: F-8A Model :: Xpulse 200FI (May, 2019)

Ref No.	Part Number	Description	Req.
1	06451-MA7-405	SEAL SET, PISTON	1
2	06435-AAB-A00	PAD SET RR	1
3	45131-GE2-006L	PIN BOLT A	1
4	43150-ABW-100	CALIPER SUB ASSY. RR	1
5	45111-MAJ-G41	STOPPER RING	1
6	45131-GZ0-006L	PIN BOLT	2
7	45203-MCC-006	PLUG,PIN	1
8	43353-461-771L	CAP BLEEDER	1
9	43215-KGH-901	PIN,HANGER	1
10	43115-ABW-100	HOLDER RR CALIPER	2
11	45133-MA3-006L	BOOT B	1
12	45132-166-016L	BUSH BOOT PIN	1
13	43107-MA7-006	PISTON	1
14	43114-KRY-971	SHIM B	1
15	43190-ABW-100	BRKT SUB ASSY RR	1

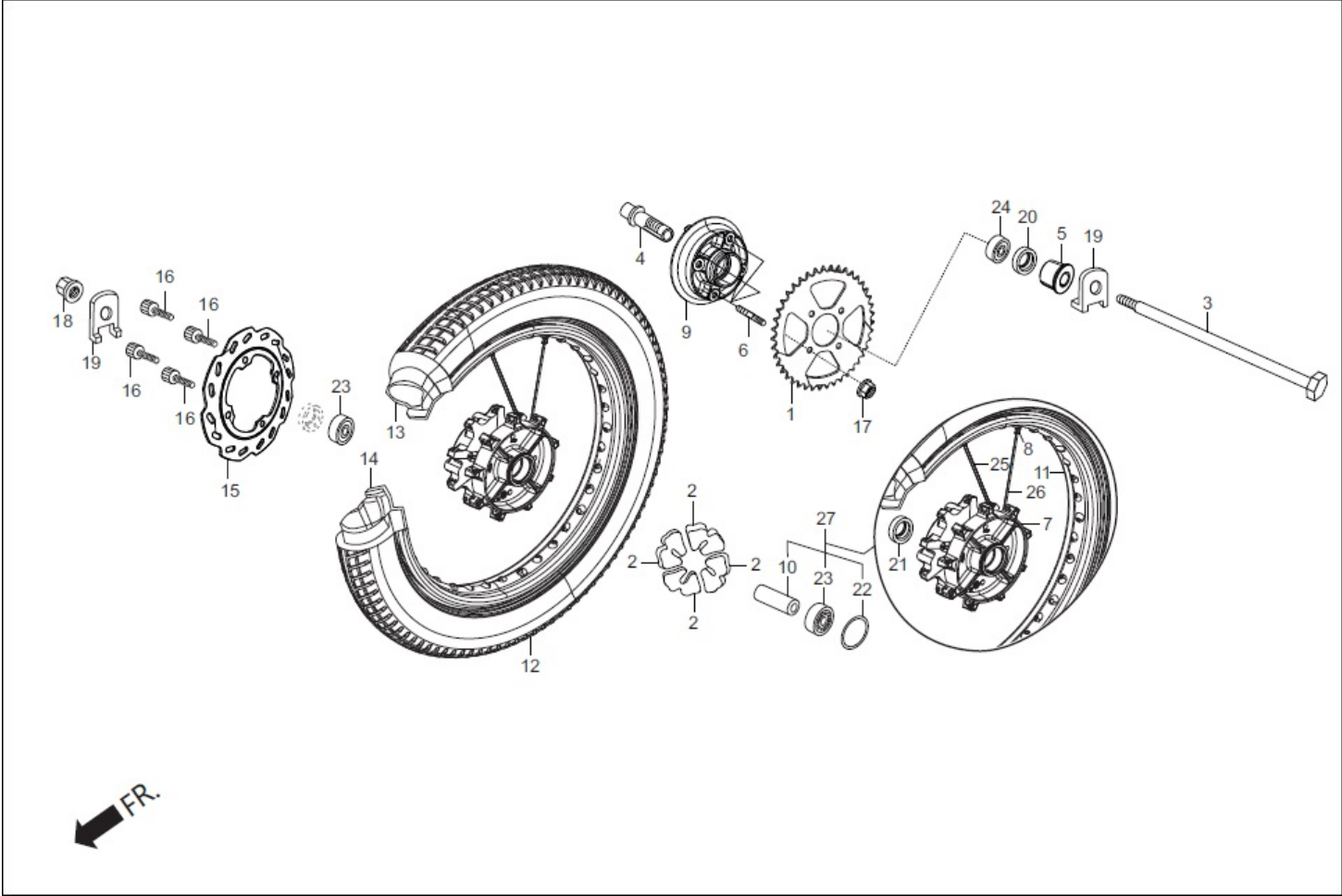
F-9 : RR WHEEL / FLANGE ASSY. DRIVEN



Group Number: F-9 Model :: Xpulse 200FI (May, 2019)

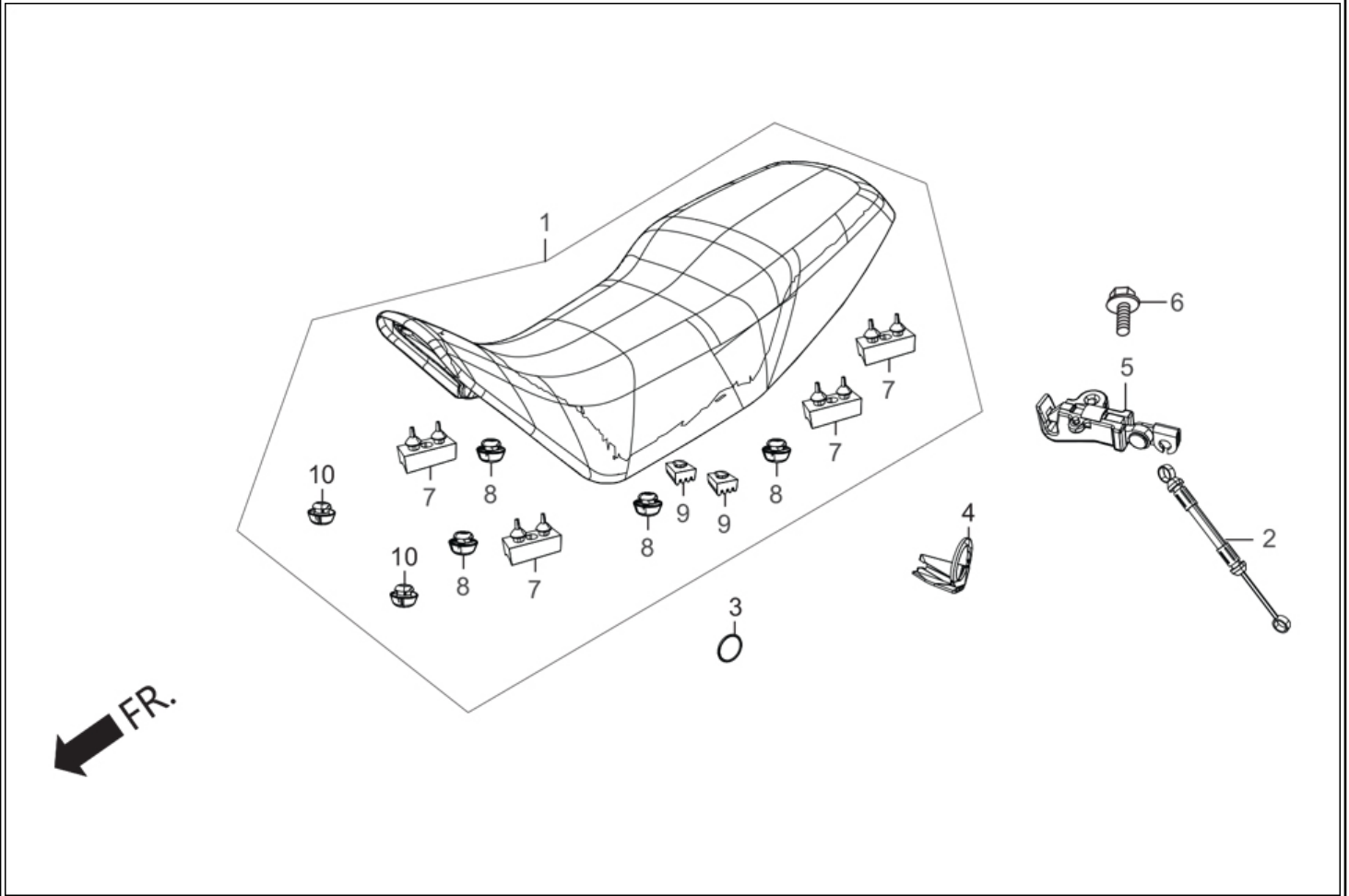
Ref No.	Part Number	Description	Req.
1	41201-ABW-100	SPROCKET FINAL DRIVEN 42T	1
2	41241-KSP-900	DAMPER, RR WHEEL	4
3	42301-AAB-A00	AXLE RR WHEEL	1
4	42303-AAB-A00	SLEEVE REAR WHEEL	1
5	42311-AAB-A00	COLLAR RR WHEEL SIDE(LH)	1
6	92915-10025-0E	BOLT, STUD II, 10X25	4
7	42601-ABW-100	HUB REAR WHEEL	1
8	42603-ABW-100	NIPPLE SPOKE REAR	36
9	42611-KRY-930	FLANGE, FINAL DRIVEN(NH-35M)	1
10	42620-AAR-000	COLLAR RR AXLE DISTANCE	1
11	42701-ABW-100	RIM REAR WHEEL	1
12	42711-ABW-103	TYRE REAR	1
13	42712-ABW-103	TUBE TYRE	1
14	42713-ABW-100	FLAP, TYRE REAR	1
15	43251-ABZ-010	DISC, RR BRAKE	1
16	90105-KL8-741	BOLT, FR.DISK, 8 X 24	4
17	90304-KCS-920	NUT U 10 MM	4
18	90305-KVN-900	NUT, FLG. PT. 14 MM	1
19	90560-KVE-900	WASHER, R RR. AXLE	2
20	91253-KSP-901	DUST SEAL, 30 X 47 X 8	1
21	91257-230-003	OIL SEAL 28X42X7	1
22	91352-KSP-900	O RING, 51 X 2	1
23	96140-63020-10	BRG., BALL RADIAL, 6302 (U)	2
24	96150-60050-10	BEARING, BALL RADIAL, 6005	1

F-9 : RR WHEEL / FLANGE ASSY. DRIVEN



25	97252-ABW-100	SPOKE REAR B	18
26	97660-ABW-100	SPOKE REAR A	18
27	42650-ABW-100	WHEEL SUB ASSY. REAR	1

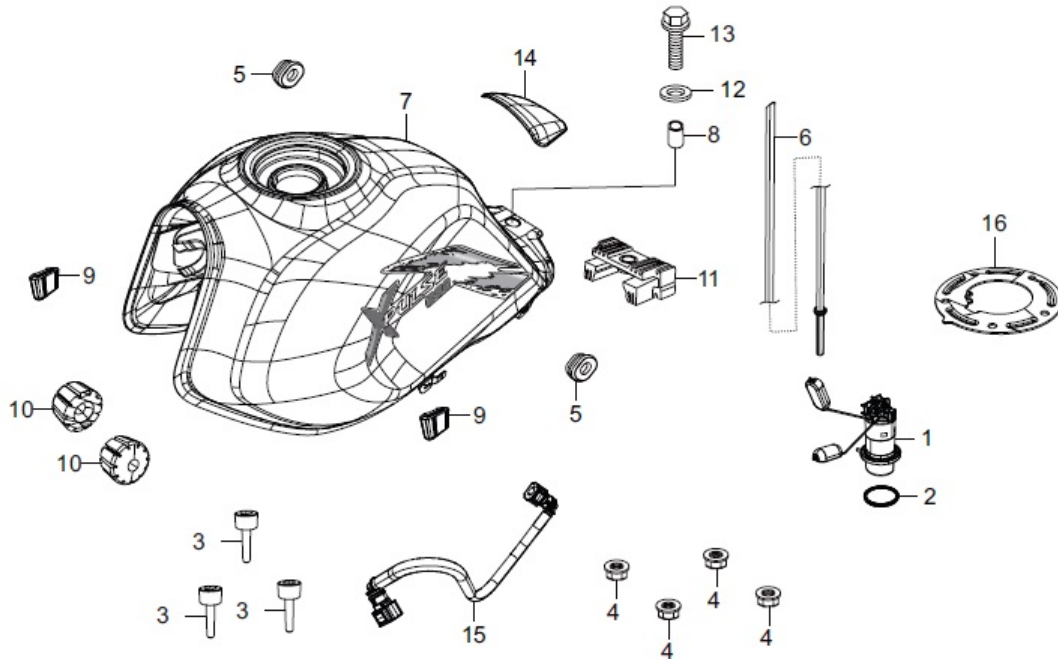
F-10 : SEAT ASSY.



Group Number: F-10 Model :: Xpulse 200FI (May, 2019)

Ref No.	Part Number	Description	Req.
1	77200-ABW-300	SEAT COMP DOUBLE	1
2	77156-ABW-000	CABLE SEAT LOCK	1
3	80123-KCC-870	BAND, TOOL	1
4	77244-ABW-000	STAY SEAT LOCK CABLE	1
5	77220-KY6-000	HOOK, SEAT CATCH	1
6	95701-06012-00	BOLT, FLANGE, 6X12	1
7	77204-AAR-000	CUSHION RUBBER RIDER SEAT	4
8	50354-428-000	STOPPER,RUBBERB	4
9	50524-001-000	RUBBER, MAIN STAND STOPPER	2
10	50354-ABW-000	STOPPER RUBBER B	2

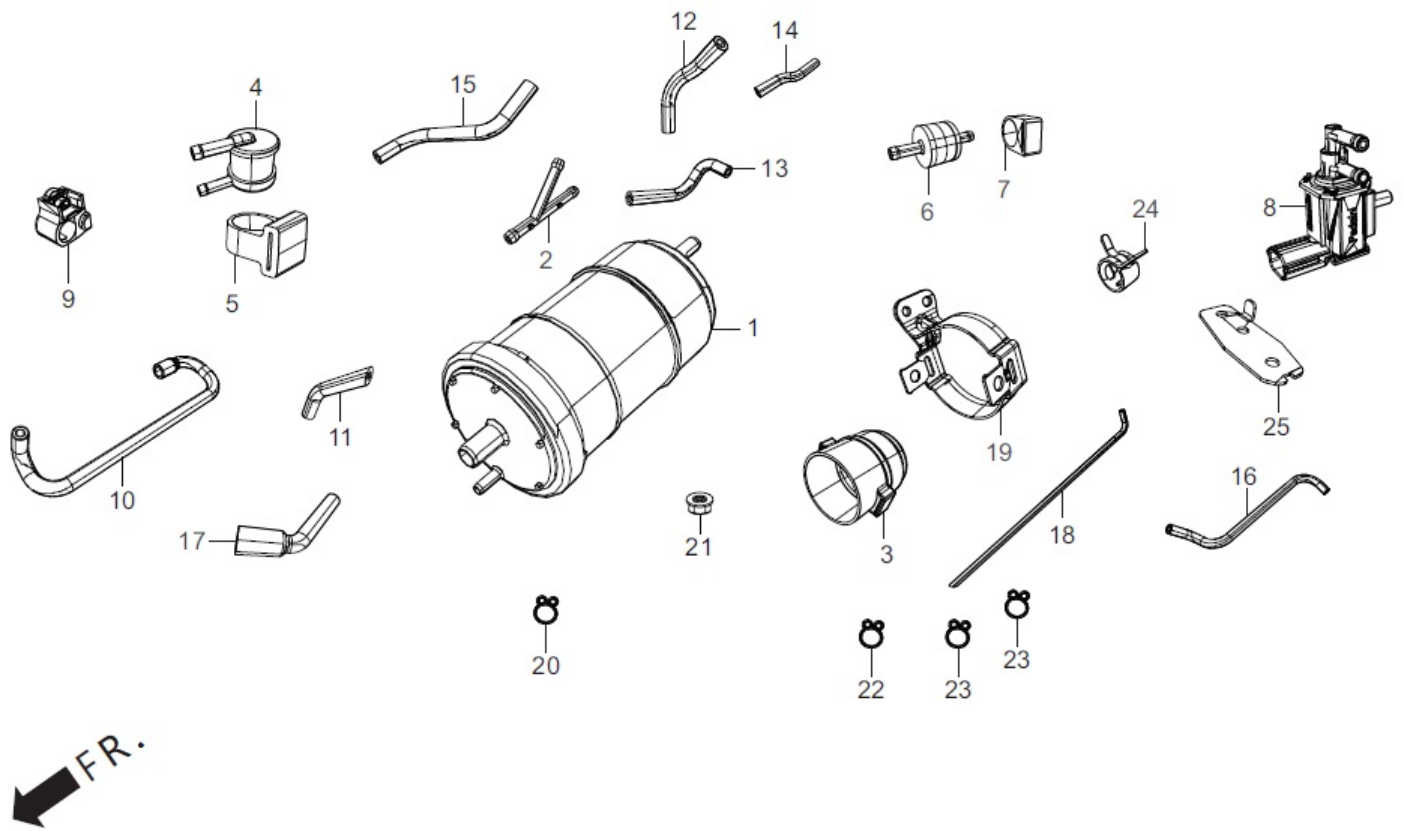
F-11 : FUEL TANK / FUEL UNIT



Group Number: F-11 Model :: Xpulse 200FI (May, 2019)

Ref No.	Part Number	Description	Req.
1	16700-ABW-201	UNIT ASSY FUEL PUMP	1
2	17572-AAB-C00	GASKET FUEL PUMP	1
3	90074-KVE-900	BOLT SOCKET 4 X 21	3
4	94050-06000	NUT, FLANGE, 6 MM	4
5	83551-300-000	GROMMET, AIR CLEANER CASE	2
6	17199-AAC-200	TUBE DRAIN	1
7	17520-ABW-300R	SET FUEL TANK (MAT AXIS GRAY ME.)	1
	17520-ABW-300S	SET FUEL TANK (ME. MATT GREEN)	1
	17520-ABW-300T	SET FUEL TANK (PEARL FADELESS WHITE)	1
	17520-ABW-B00U	SET FUEL TANK (BLACK NH-1)	1
	17520-ABW-B00V	SET FUEL TANK (SPORTS RED)	1
8	90324-KCC-900	COLLAR, 8 MM	1
9	77267-KTR-900	RUBBER, COWL	2
10	17611-KRY-970	CUSHION , FRONT FUEL TANK	2
11	17613-KCC-900	CUSHION, RR. TANK	1
12	90534-MV4-000	WASHER ,8.5X28	1
13	95701-08035-00	BOLT, FLANGE, 8 X 35	1
14	17547-ABW-100	PAD FUEL TANK MIDDLE	1
15	17570-ABW-200	HOSE COMP. FUEL FEED	1
16	17521-ABW-200	PLATE SETTING	1

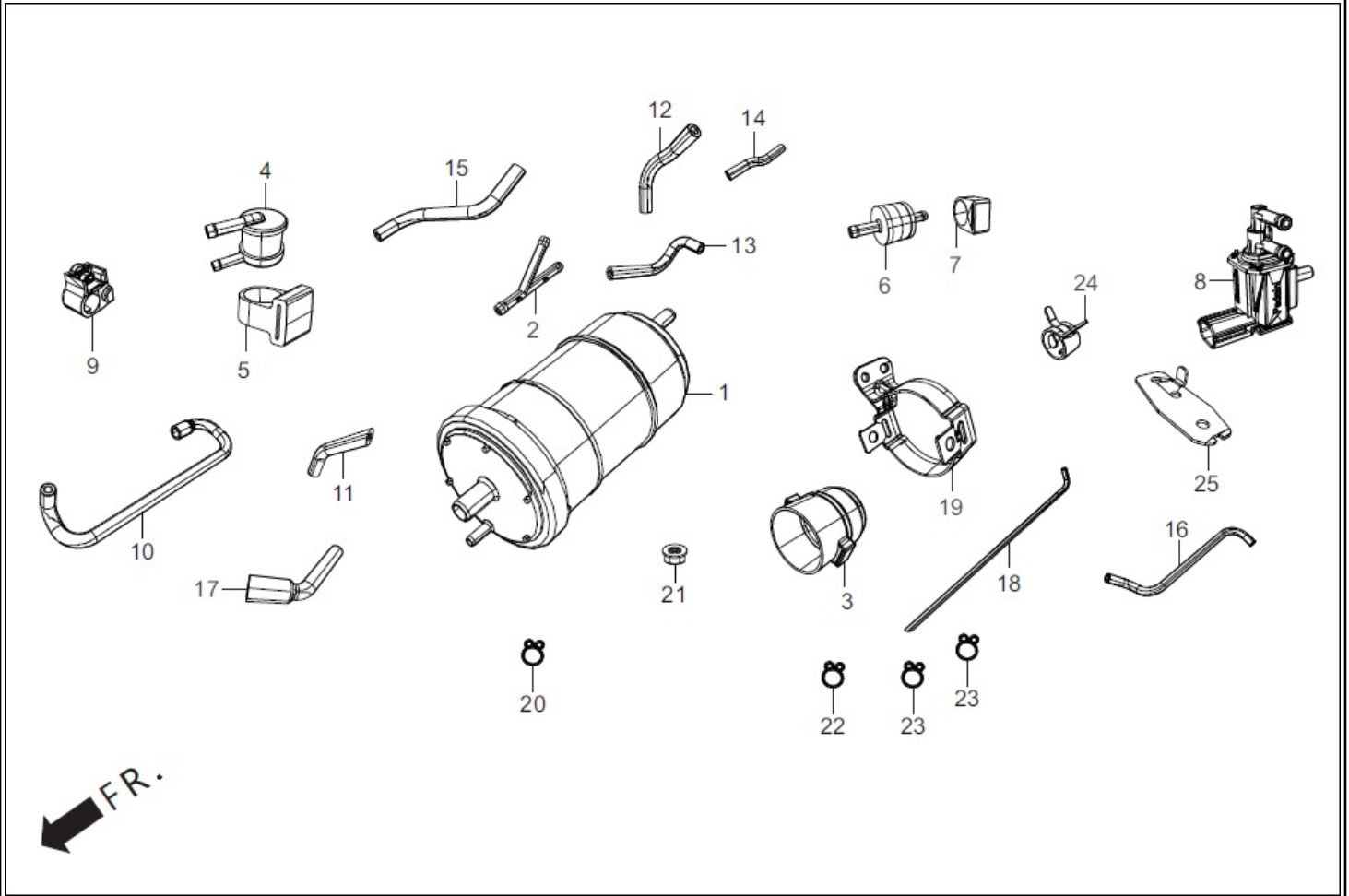
F-11A : FUEL TANK (CANISTER ASSY.)



Group Number: F-11A Model :: Xpulse 200FI (May, 2019)

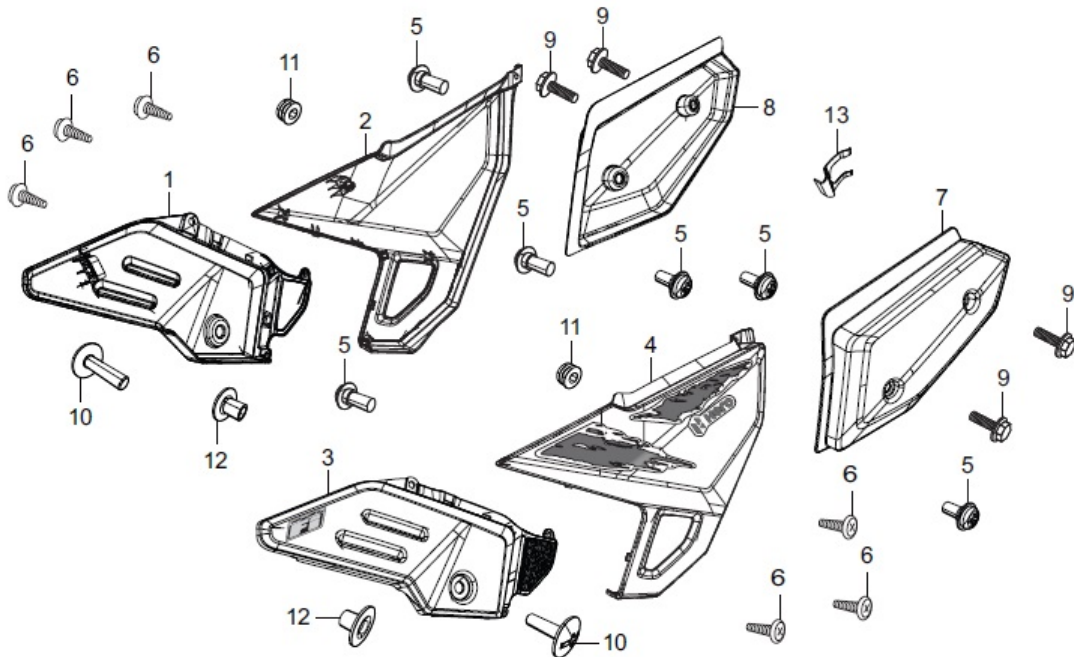
Ref No.	Part Number	Description	Req.
1	17410-AAM-001	CANISTER COMP	1
2	17230-AAH-100	JOINT 3 WAY	1
3	17411-AAB-500	SUSP CANISTER	1
4	17420-AAD-A00	ROLL OVER VALVE	1
5	17421-AAB-500	SUSP ROLL OVER VALVE	1
6	17430-AAE-100	ONE WAY VALVE	1
7	17431-AAH-A00	SUSP. ONE WAY VALVE	1
8	17554-AAR-101	PURGE SOLENOID VALVE	1
9	17646-MN8-700	RUBBER SEAL BREATHER	1
10	17670-ABW-200	PURGE TUBE A	1
11	17697-AAM-000	TUBE ONE WAY VALVE	1
12	17690-ABW-200	TUBE A PIPE BREATHER	1
13	17691-ABW-000	TUBE A CANISTER	1
14	17693-ABW-000	TUBE A J3W	1
15	17694-ABW-000	TUBE B J3W	1
16	17671-ABW-200	PURGE TUBE B	1
17	17695-AAM-000	TUBE AIR CANISTER	1
18	17696-ABW-000	TUBE DRAIN	1
19	50151-AAB-A00	CANISTER CLIP	1
20	95002-02080	CLIP, TUBE	11
21	94050-06000	NUT, FLANGE, 6 MM	1
22	95002-02130	CLIP B 12.5 TUBE	1
23	95002-70000	CLIP, C11 TUBE	2
24	95002-40800-08	CLAMP D 8.0 TUBE	1

F-11A : FUEL TANK (CANISTER ASSY.)



25	17554-ABW-2000-2	STAY PURGE SOLENOID VALVE	1
----	------------------	---------------------------	---

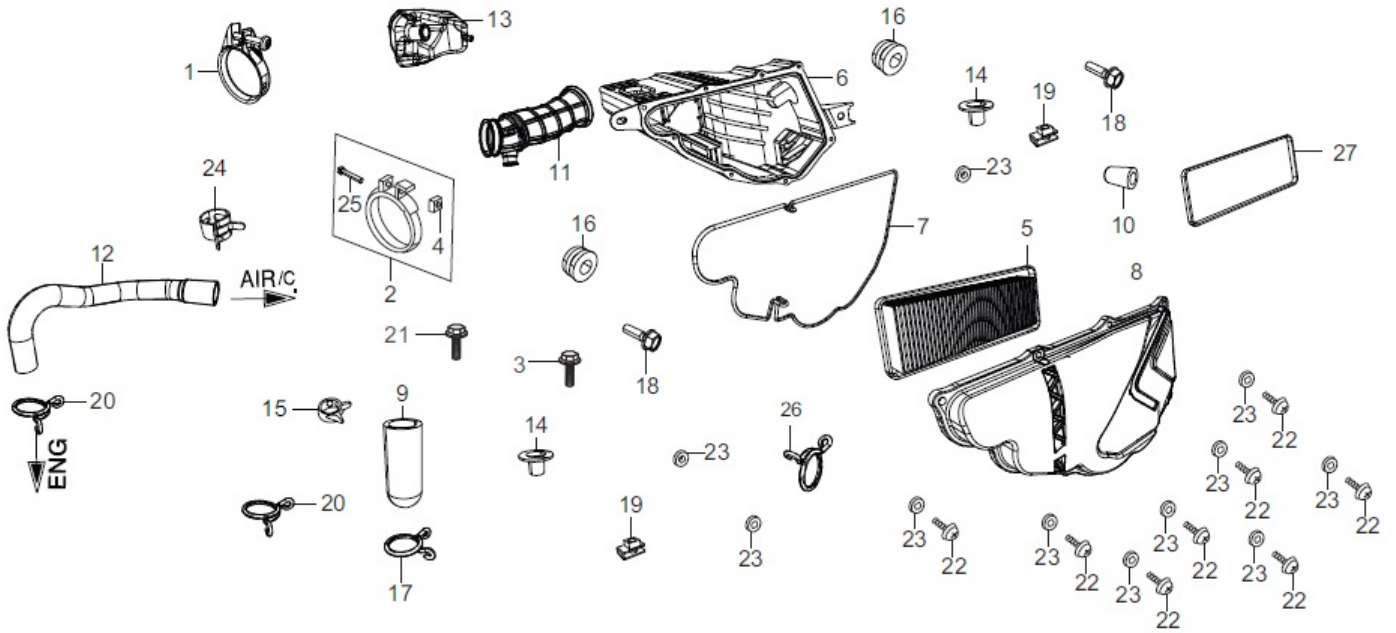
F-12 : SIDE COVER



Group Number: F-12 Model :: Xpulse 200FI (May, 2019)

Ref No.	Part Number	Description	Req.
1	83700-ABW-300R	SET COVER B, R SIDE (MAGM, NH-303M)	1
2	83500-ABW-300R	SET COVER A, R SIDE (MAGM, NH-303M)	1
	83500-ABW-300S	SET COVER A, R SIDE (GR(BR)-001M(F))	1
	83500-ABW-300T	SET COVER A, R SIDE (PFW, NH-341P)	1
	83500-ABW-100R	SET COVER A R SIDE (BLACK NH-1)	1
	83500-ABW-100S	SET COVER A R SIDE (SPORTS RED)	1
3	83800-ABW-300R	SET COVER B, L SIDE (MAGM, NH-303M)	1
4	83600-ABW-300R	SET COVER A, L SIDE (MAGM, NH-303M)	1
	83600-ABW-300S	SET COVER A, L SIDE (GR(BR)-001M(F))	1
	83600-ABW-300T	SET COVER A, L SIDE (PFW, NH-341P)	1
	83600-ABW-100R	SET COVER A L SIDE (BLACK NH-1)	1
	83600-ABW-100S	SET COVER A L SIDE (SPORTS RED)	1
5	90101-GE0-000	SCREW, HINGE PATCH	6
6	93903-34210	SCREW TAPPING 4X10	6
7	77240-ABW-000	ACCESSORY MOUNTING COVER L	1
8	77230-ABW-000	ACCESSORY MOUNTING COVER R	1
9	96001-06012-00	BOLT,FLANGE,SH.,6 X 12	4
10	90105-KVE-860	BOLT,SPECIAL 6X22	2
11	83545-KCJ-690	RUBBER, SIDE COVER	2
12	19052-KV0-000	COLLAR, RADIATOR MTG	2
13	75582-KCW-870	SET SPG, LOCK KEY	1

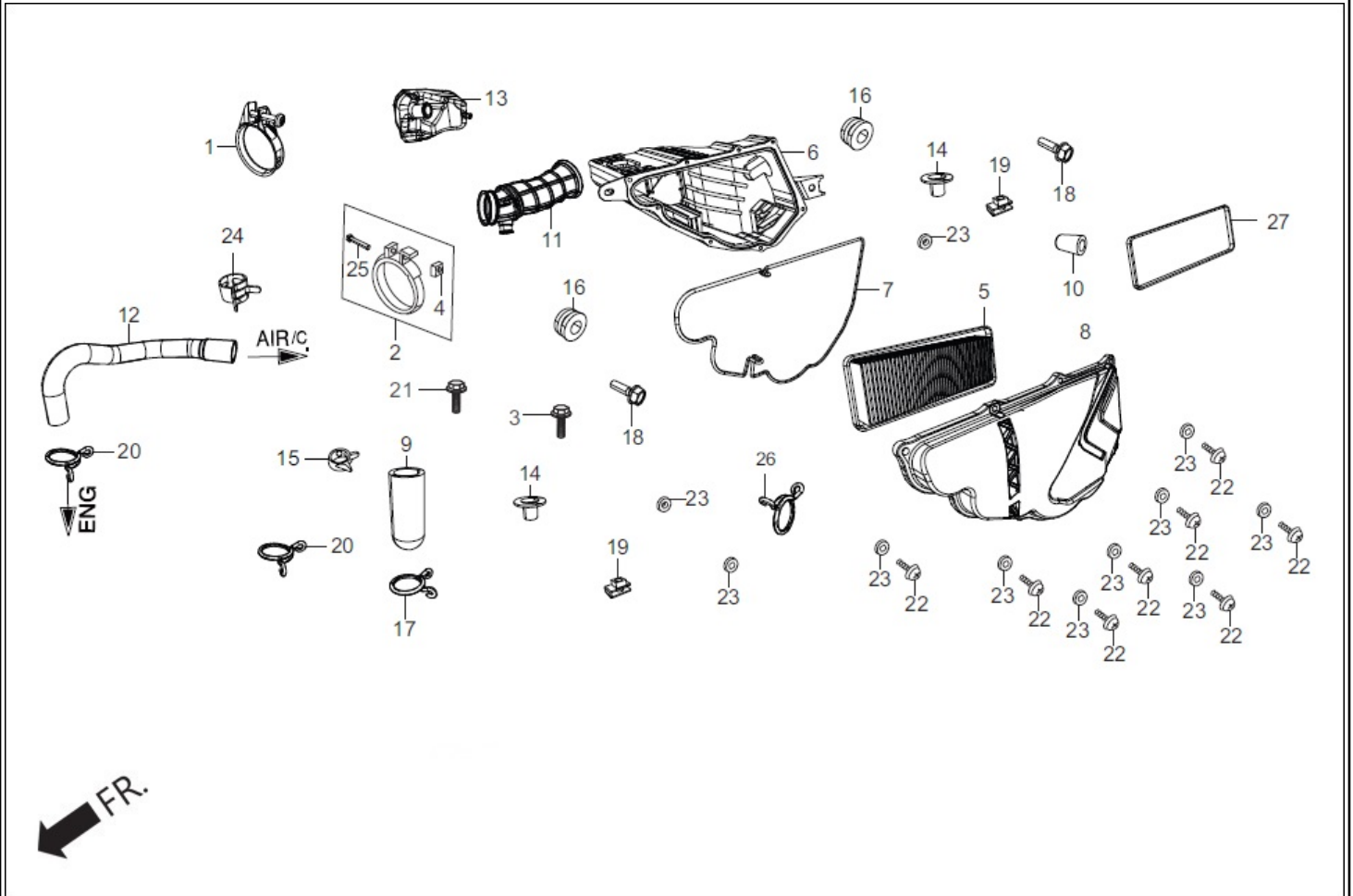
F-13 : AIR CLEANER



Group Number: F-13 Model :: Xpulse 200FI (May, 2019)

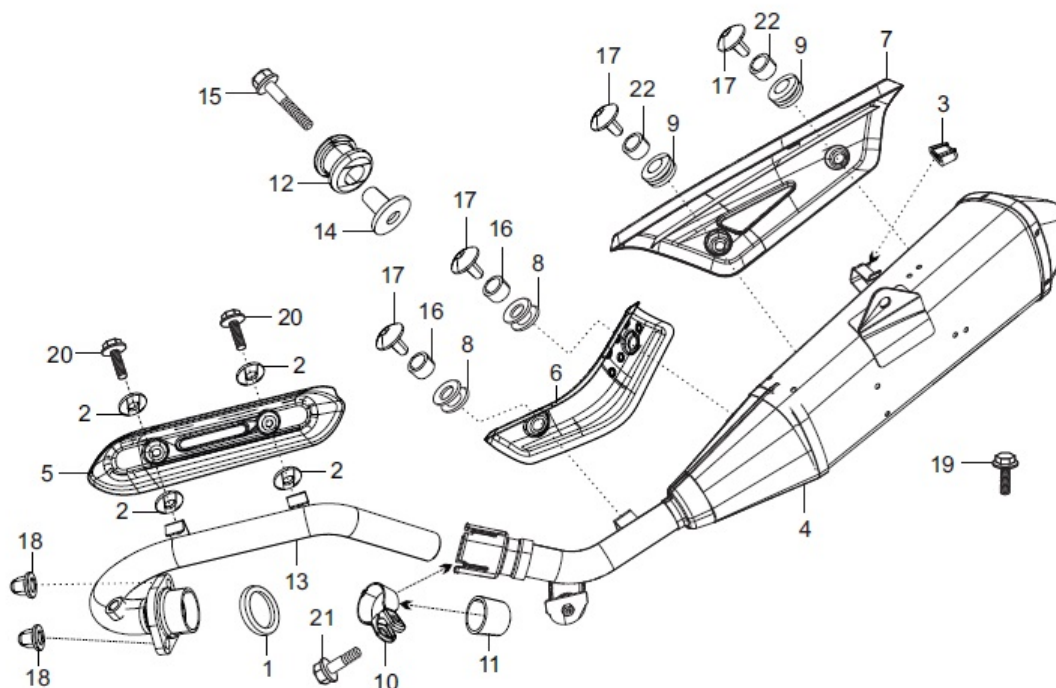
Ref No.	Part Number	Description	Req.
1	95018-AAB-C00	BAND 54 AIR/C CONN. TUBE	1
2	16217-KRY-970	BAND INSULATOR	1
3	95701-06012-07	BOLT, FLANGE, 6X12	1
4	16222-KSP-910	NUT, SQUARE, 5 MM	1
5	17208-ABW-000	HOLDER COMP. ELEMENT	1
6	17210-ABW-000	CASE SUB ASSY. A/C	1
7	17214-ABW-000	SEAL B AIR CLEANER	1
8	17225-ABW-000	COVER AIR C	1
9	17216-ABW-000	TUBE DRAIN 11X15X37	1
10	18651-AAM-100	PLUG AIR/C	1
11	17253-ABW-200	TUBE AIR/C CONN	1
12	17371-ABW-000	TUBE BREATHER	1
13	17410-ABW-000	RESONATOR	1
14	19052-KV0-000	COLLAR, RADIATOR MTG	2
15	19509-GE2-003	CLAMP, D19 TUBE	1
16	83545-KCJ-690	RUBBER, SIDE COVER	2
17	17369-AAM-100	CLIP BREATHER TUBE	1
18	95701-06020-00	BOLT, FLANGE, 6X20	2
19	90311-MT3-000	NUT, CLIP, 6 MM	2
20	90601-KAF-003	CLIP, SW. COVER	2
21	95701-06018-00	BOLT FLANGE 6X18	1
22	90109-SB6-0001	SCREW, TRUSS, 5X16	8
23	94101-05000	WASHER , PLAIN, 5MM	11
24	91406-KFN-850	CLAMP, D14.5 TUBE	1

F-13 : AIR CLEANER



25	90006-MEE-000	BOLT RECESSED 5 X 30	1
26	15772-KTN-900	CLIP BREATHER TUBE	1
27	17208-ABW-0000-22	FOAM ELEMENT	1

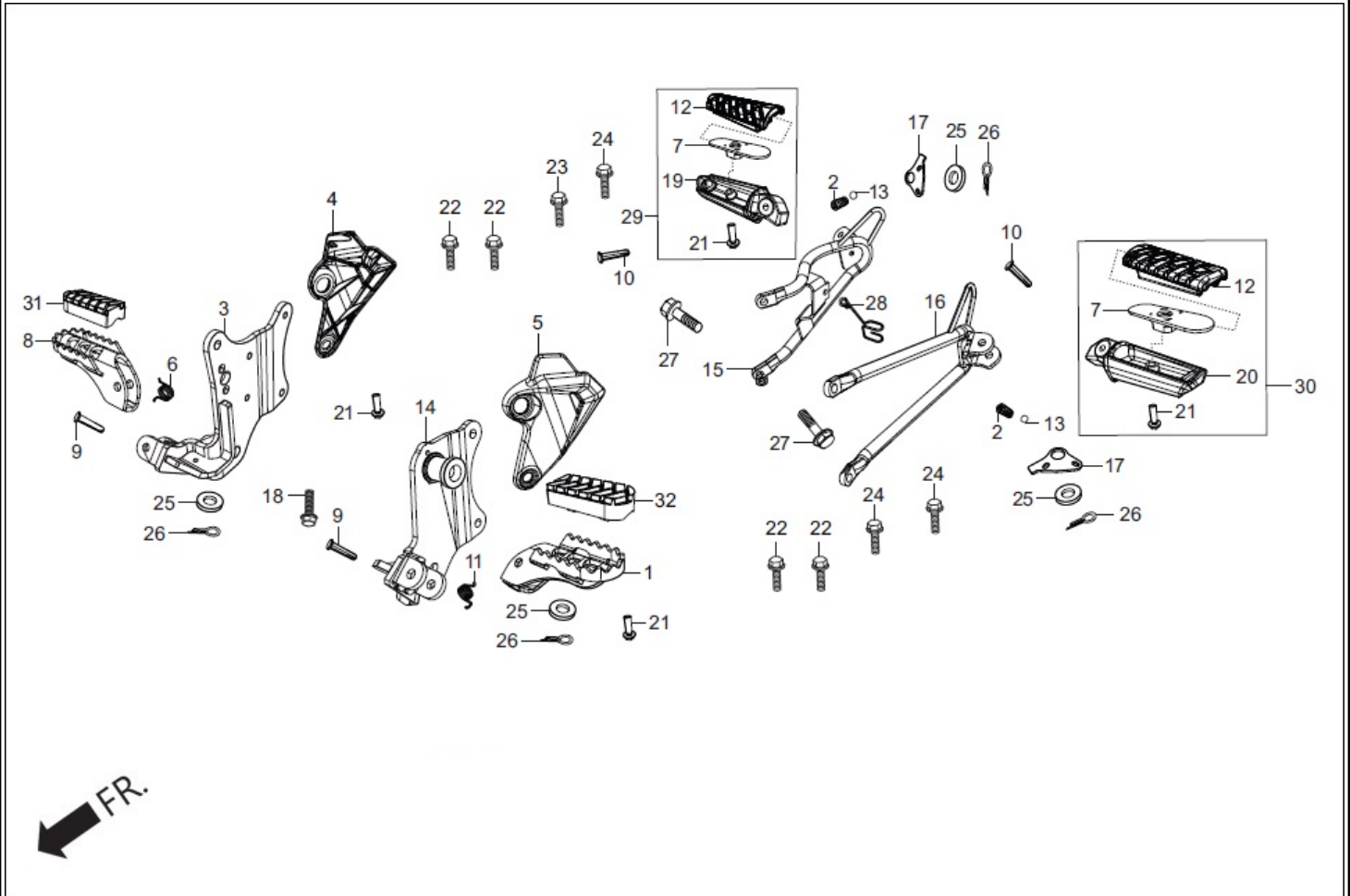
F-14 : MUFFLER



Group Number: F-14 Model :: Xpulse 200FI (May, 2019)

Ref No.	Part Number	Description	Req.
1	18291-KRY-930	GASKET, EXHAUST PIPE	1
2	18292-KTP-900	PACKING, PROTECTOR	4
3	18293-KPK-900	RUBBER, PKG. PROTECTOR	1
4	18310-ABW-300	MUFFLER COMP. EXHAUST	1
5	18312-ABW-100	COVER MUFFLER - 1	1
6	18313-ABW-100	COVER MUFFLER - 2	1
7	1831A-ABW-300	MUFFLER PROTECTOR	1
8	18345-MBT-610	RUBBER, PROTECTOR, MOUNT	2
9	18357-ABW-100	RUBBER, PROTECTOR MOUNT	2
10	18371-ABW-100	EXHAUST CLAMP	1
11	18391-ABW-100	PACKING MUFFLER	1
12	18421-ABA-000	RUBBER MUFF MOUNT	1
13	18320-ABW-300	PIPE COMP. EXHAUST	1
14	18442-ABA-000	COLLAR MUFFLER MOUNT	1
15	95701-08040-07	BOLT FLANGE, 8 X 40	1
16	33619-459-840A	COLLAR, WINKER STAY	2
17	90107-ABW-300	BOLT SPL. 6X14	4
18	90305-ABW-300	NUT 8MM EXP.	2
19	95701-08032-00	BOLT, FLANGE, 8x32	1
20	96001-06012-02	BOLT FLANGE 6X12	2
21	95701-08035-07	BOLT, FLANGE, 8X35	1
22	17221-KA4-300	COLLAR CONN TUBE	2

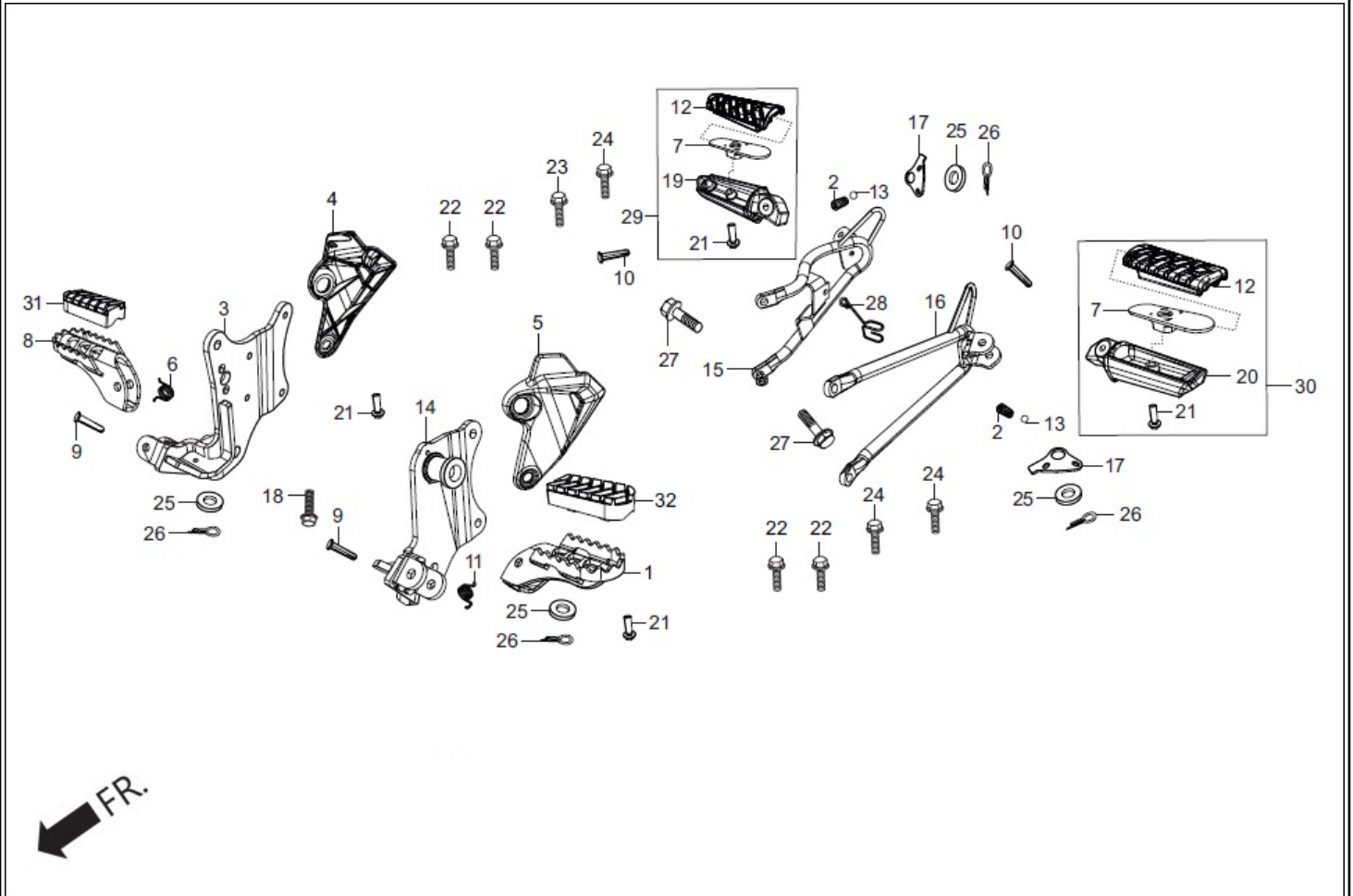
F-15 : STEP PILLION / HOLDER / BRKT.



Group Number: F-15 Model :: Xpulse 200FI (May, 2019)

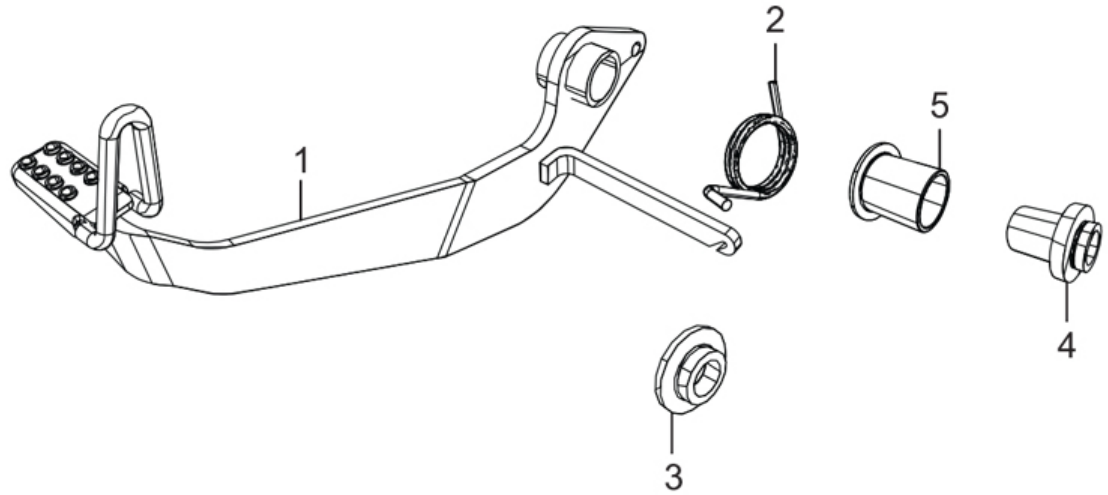
Ref No.	Part Number	Description	Req.
1	5064A-ABW-100	FOOT PEG ASSY L	1
2	28333-300-000	SPRING KICK STARTER STOPPER	2
3	50600-ABW-100	HOLDER R RIDER STEP	1
4	50660-ABW-100	COVER RH RIDER STEP	1
5	50670-ABW-100	COVER LH RIDER STEP	1
6	50617-AAS-000	SPG STEP RETURN R	1
7	50619-AAS-000	PLATE STEP SET	2
8	5061A-ABW-100	FOOT PEG ASSY R	1
9	50639-ABW-000	PIN, FOOTPEG	2
10	50638-ABW-000	PIN, FOOT PEG PILLION	2
11	50644-AAS-000	SPG STEP RETURN L	1
12	50661-AAS-000	FOOT PEG RUBBER	2
13	96211-08000	BALL STEEL 8 MM	2
14	50700-ABW-100	HOLDER L, RIDER STEP	1
15	50701-ABW-100	HOLDER RH PILLION STEP	1
16	50702-ABW-100	HOLDER LH PILLION STEP	1
17	50718-AAS-000	DETENT PLATE BALL	2
18	96001-06030-00	BOLT, FLANGE, SH., 6 X 30	1
19	50720-ABW-200	PASSENGER FOOT PEG R	1
20	50730-ABW-200	PASSENGER FOOT PEG L	1
21	90013-AAS-000	BOLT TORX 6X16	4
22	95701-06022-00	BOLT, FLANGE, SH. 6 X 22	4
23	95701-08014-00	BOLT FLANGE 8X14	1
24	95701-08018-07	BOLT FLANGE 8 X 18	3

F-15 : STEP PILLION / HOLDER / BRKT.



25	94102-08000	WASHER, PLAIN, 8MM	4
26	94201-20150	PIN, SPLIT, 2.0 X 15	4
27	95801-10065-00	BOLT FLANGE 10X65	2
28	50296-ABW-000	GUIDE, DRAIN HOSE	1
29	5072A-ABW-200	ARM R, PILLION STEP SUB. ASSY	1
30	5073A-ABW-200	ARM L, PILLION STEP SUB. ASSY	1
31	50647-ABW-100	FOOT PEG, RUBBER RH	1
32	50648-ABW-100	FOOT PEG, RUBBER LH	1

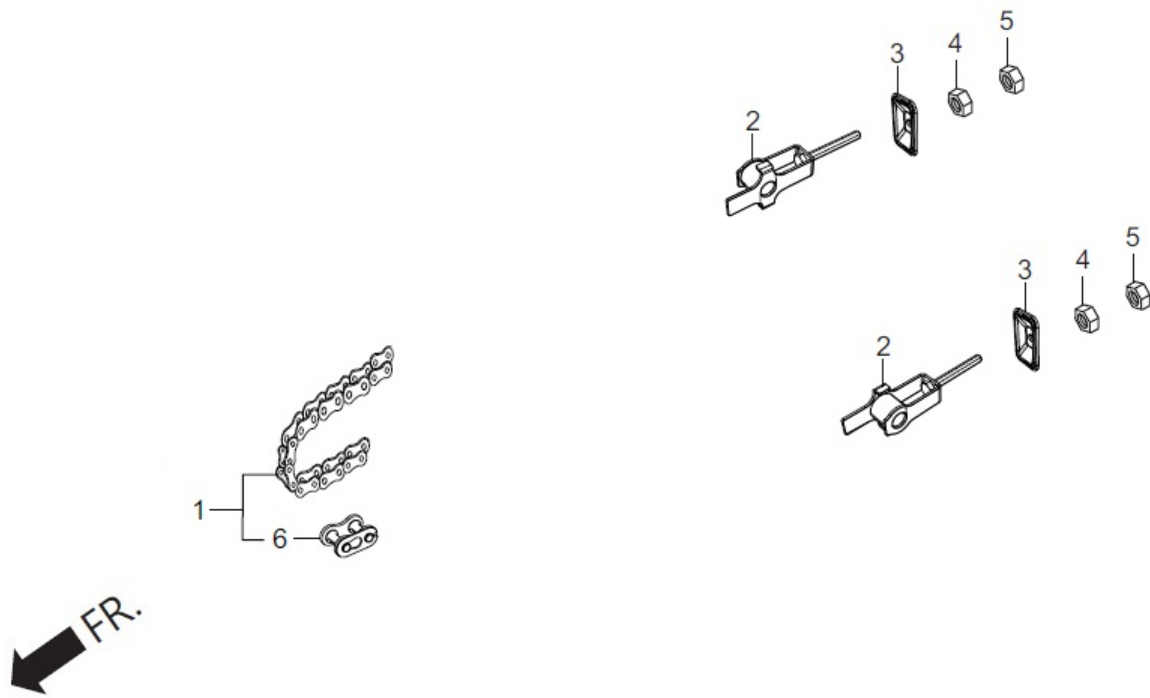
F-15A : STEP PILLION / HOLDER / BRKT. (PEDAL BRAKE)



Group Number: F-15A **Model ::** Xpulse 200FI (May, 2019)

Ref No.	Part Number	Description	Req.
1	46500-ABW-000	PEDAL BRAKE	1
2	46514-ABW-000	SPRING BRAKE PEDAL	1
3	50662-ABW-100	WASHER A	1
4	46600-ABW-000	BOLT BRAKE PEDAL	1
5	46518-ABW-000	BUSH BRAKE PEDAL	1

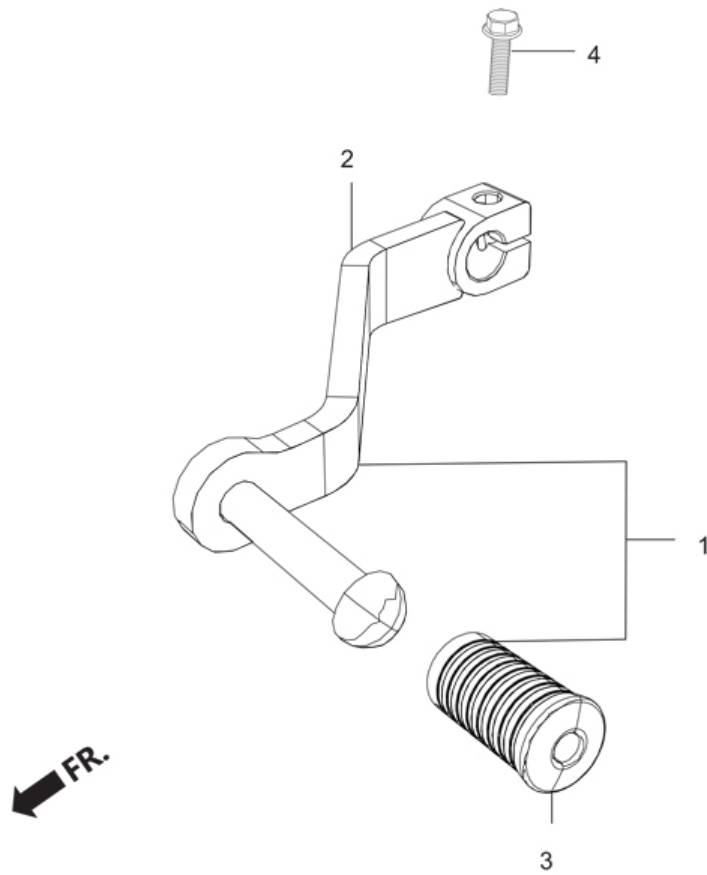
F-16 : CHAIN DRIVE / ADJUSTER CHAIN



Group Number: F-16 Model :: Xpulse 200FI (May, 2019)

Ref No.	Part Number	Description	Req.
1	40530-ABW-101	CHAIN DRIVE 520H-108	1
2	40543-ABW-100	ADJUSTER CHAIN	2
3	40546-ABW-300	CAP SWINGARM END	2
4	90302-KBP-900	NUT SPL 6 MM	2
5	94001-06000-0S	NUT, HEX., 6 MM	2
6	40531-ABW-901	JOINT RJ DRIVE CHAIN	1

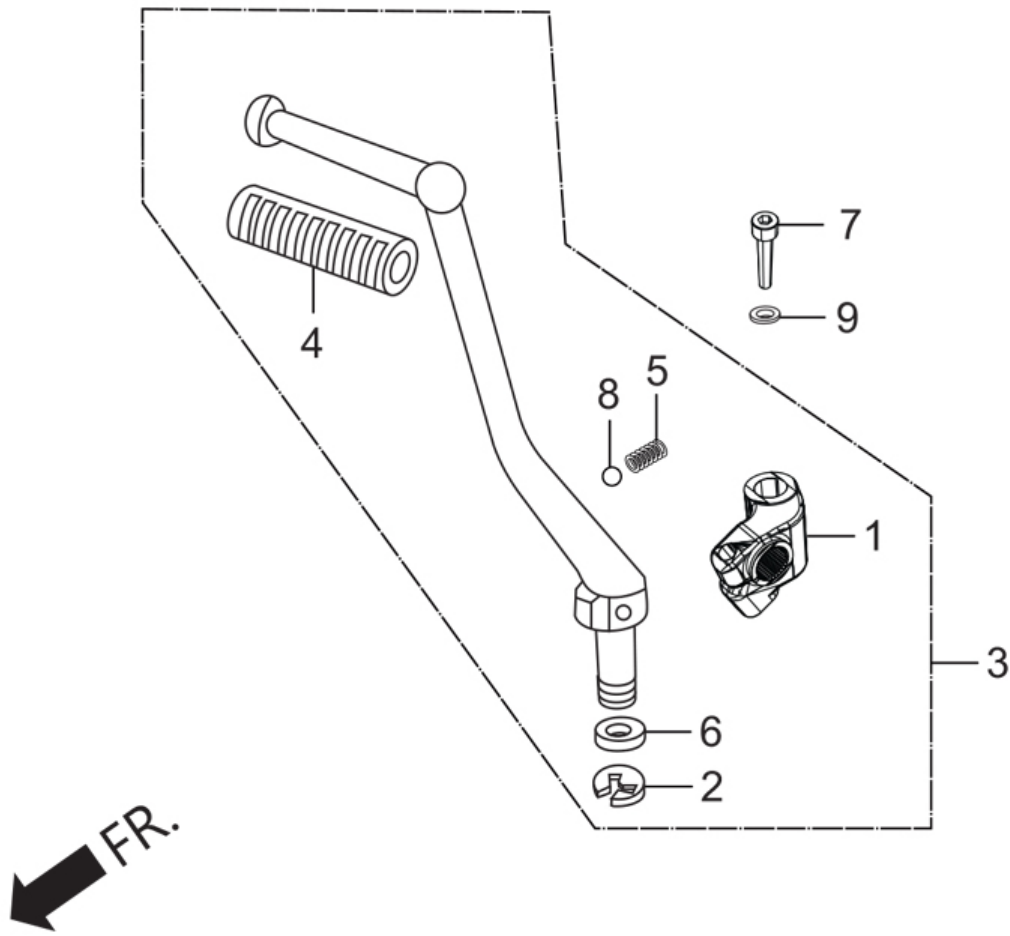
F-17 : PEDAL



Group Number: F-17 Model :: Xpulse 200FI (May, 2019)

Ref No.	Part Number	Description	Req.
1	24700-ABW-000	PEDAL ASSY GEAR CHANGE	1
2	24701-ABW-000	PEDAL GEAR CHANGE	1
3	24781-KR3-770	RUBBER, CHANGE PEDAL	1
4	95701-06020-07	BOLT, FLANGE, 6 X 20	1

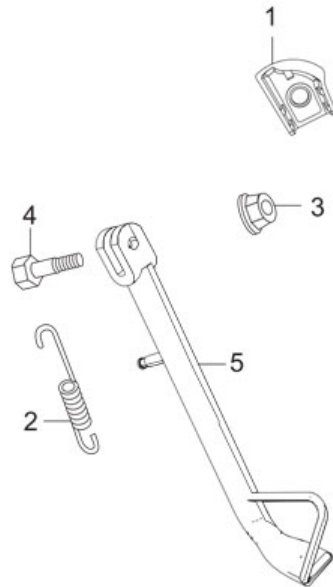
F-17A : KICK STARTER



Group Number: F-17A **Model ::** Xpulse 200FI (May, 2019)

Ref No.	Part Number	Description	Req.
1	28241-AAK-H00	JOINT KICK ARM	1
2	28293-333-000	CLIP, KICK STARTER ARM	1
3	28300-AAK-H00	ARM ASSY KICK STARTER	1
4	28311-KC5-000	STARTER RUBBER, KICK	1
5	28333-KK0-000	SPRING, KICK STARTER ARM SET	1
6	90505-KRM-860	WASHER, 15.5 X 22	1
7	95801-08038-07	BOLT FLANGE 8X38	1
8	96211-08000	BALL STEEL 8 MM	1
9	94102-08000	WASHER, PLAIN, 8MM	1

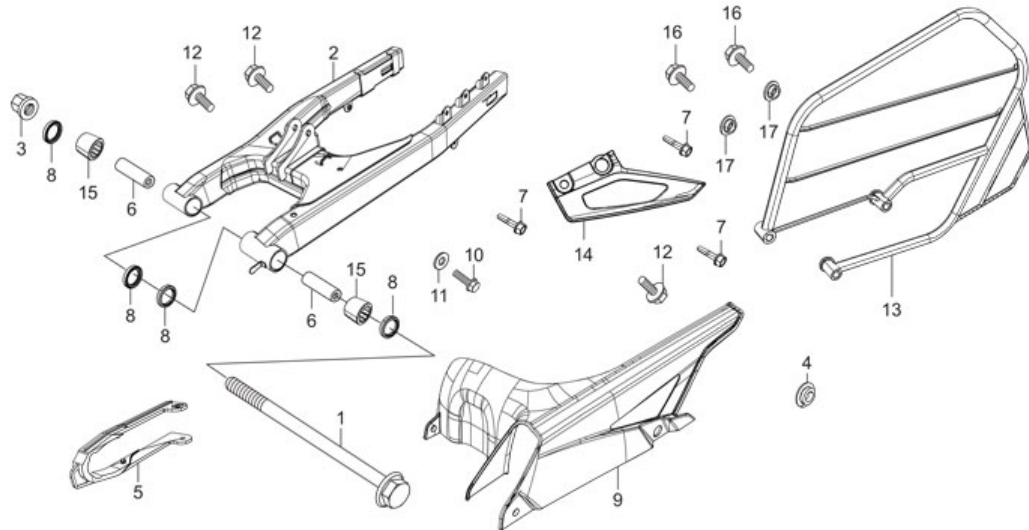
F-18 : CHAIN CASE & STAND



Group Number: F-18 Model :: Xpulse 200FI (May, 2019)

Ref No.	Part Number	Description	Req.
1	35130-AAB-000	MAGNET HOLDER ASSY.	1
2	95014-72102	SPRING, SIDE STAND	1
3	90304-KFN-850	NUT U 10 MM	1
	90304-KCS-920	NUT U 10 MM	1
4	90107-AAB-000	SCREW SIDE STAND PIVOT	1
5	50530-ABW-100	BAR COMP. SIDE STAND	1

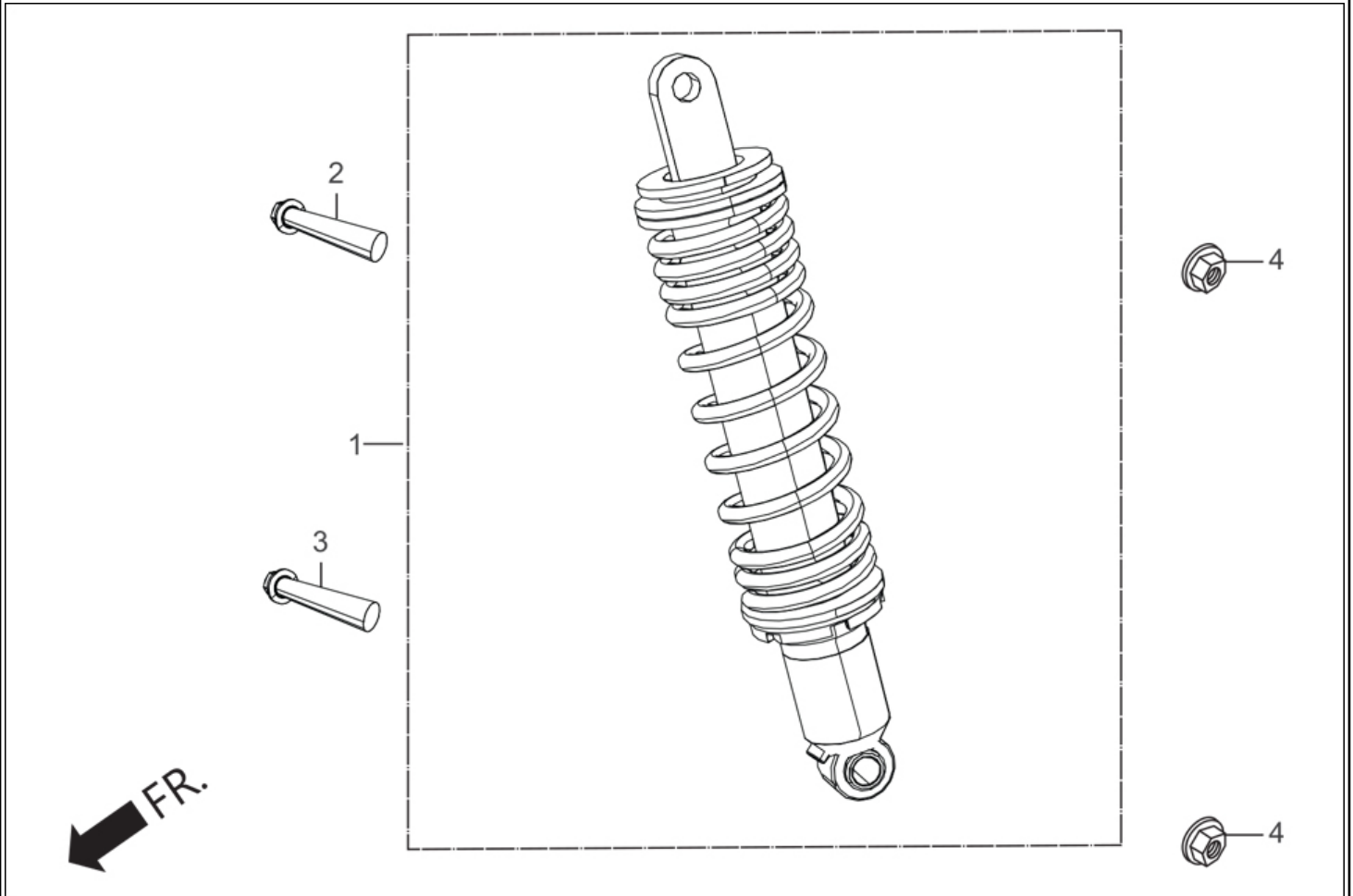
F-18A : SWINGARM / GUARD SAREE / CHAIN CASE



Group Number: F-18A Model :: Xpulse 200FI (May, 2019)

Ref No.	Part Number	Description	Req.
1	52101-ABW-000	BOLT, SWINGARM PIVOT	1
2	52110-ABW-300	SWINGARM COMP REAR	1
3	90305-KVN-900	NUT, FLG. PT. 14 MM	1
4	90501-ABW-000	COLLAR, CHAIN CASE	1
5	52170-ABW-100	SLIDER CHAIN	1
6	52143-KVE-900	COLLAR, PIVOT DIST L	2
7	95701-08040-07	BOLT FLANGE,8 X 40	3
8	91254-KS6-003	DUST SEAL 20 X 26 X 4.5	4
9	40510-ABW-100	CHAIN CASE UPPER	1
10	95701-06012-07	BOLT, FLANGE, 6X12	1
11	90522-AAB-000	WASHER, CHAIN CASE SETTING	1
12	90111-187-000	BOLT, FLANGE. 6 MM	3
13	51103-AAB-A00	GUARD SAREE	1
14	40550-AAB-A00	GUARD LOWER FINAL DRIVE	1
15	91071-KVN-900	BRG, NEEDLE 20X26X20	2
16	95701-05010-00	BOLT FLANGE 5X10	2
17	90556-044-000	WASHER, FENDER SETTING	2

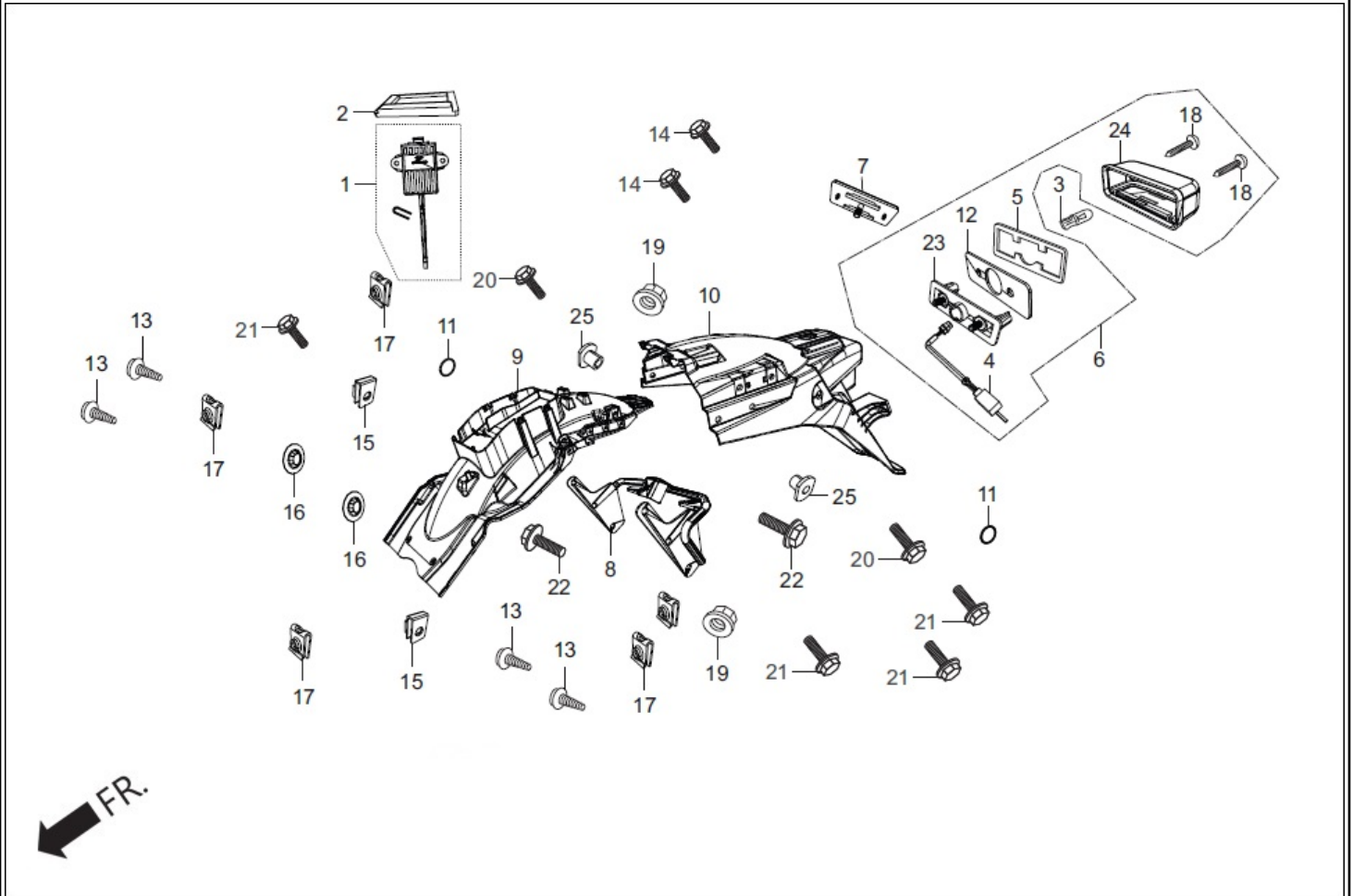
F-19 : CUSHION REAR



Group Number: F-19 Model :: Xpulse 200FI (May, 2019)

Ref No.	Part Number	Description	Req.
1	52400-ABW-101	CUSHION ASSY REAR	1
2	90151-ABW-000	BOLT FLANGE 10X65	1
3	90154-AAB-A00	BOLT FLANGE 10X55	1
4	90304-KST-942	NUT FLG.PT 10MM	2

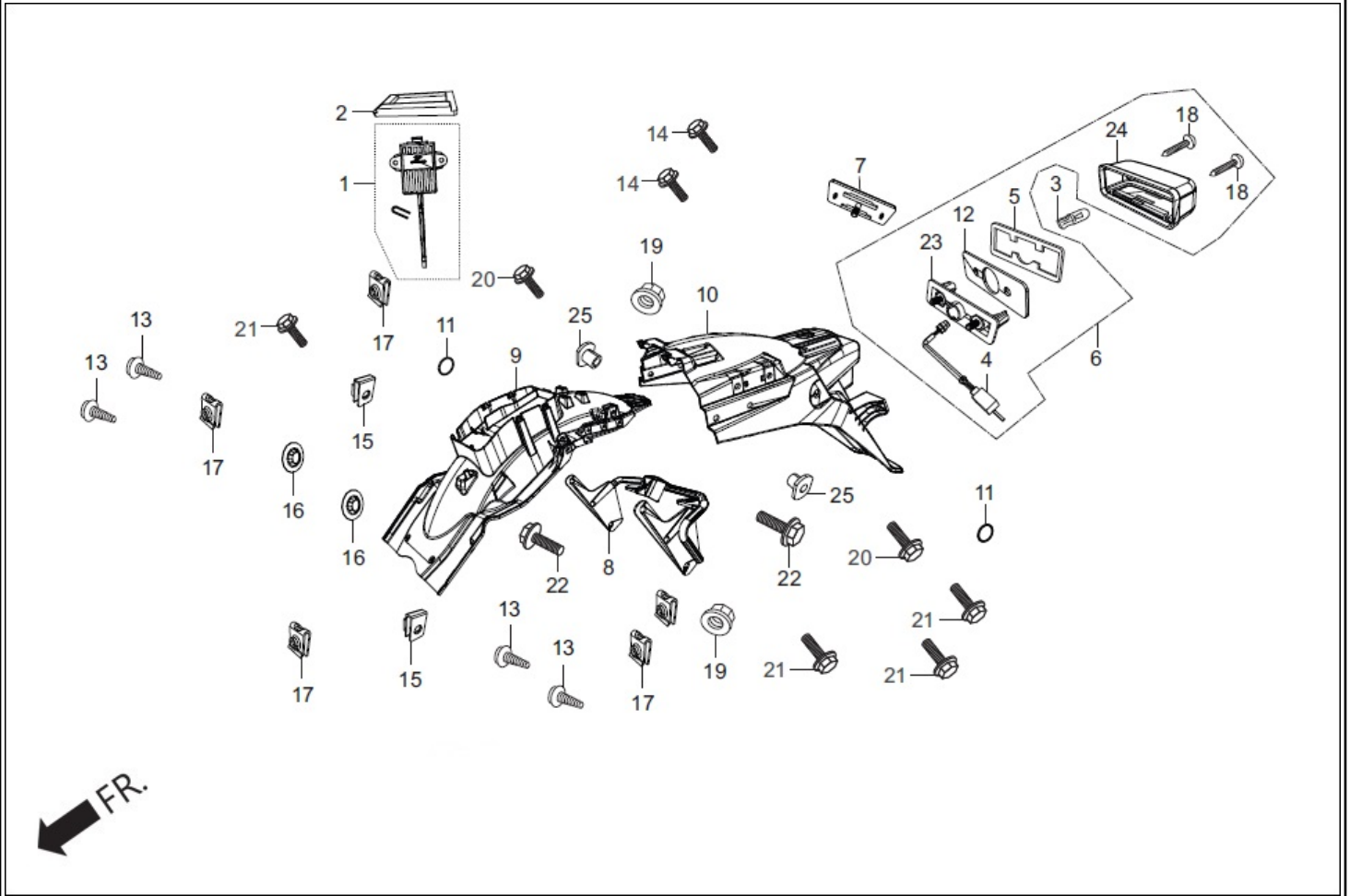
F-20 : REAR FENDER



Group Number: F-20 Model :: Xpulse 200FI (May, 2019)

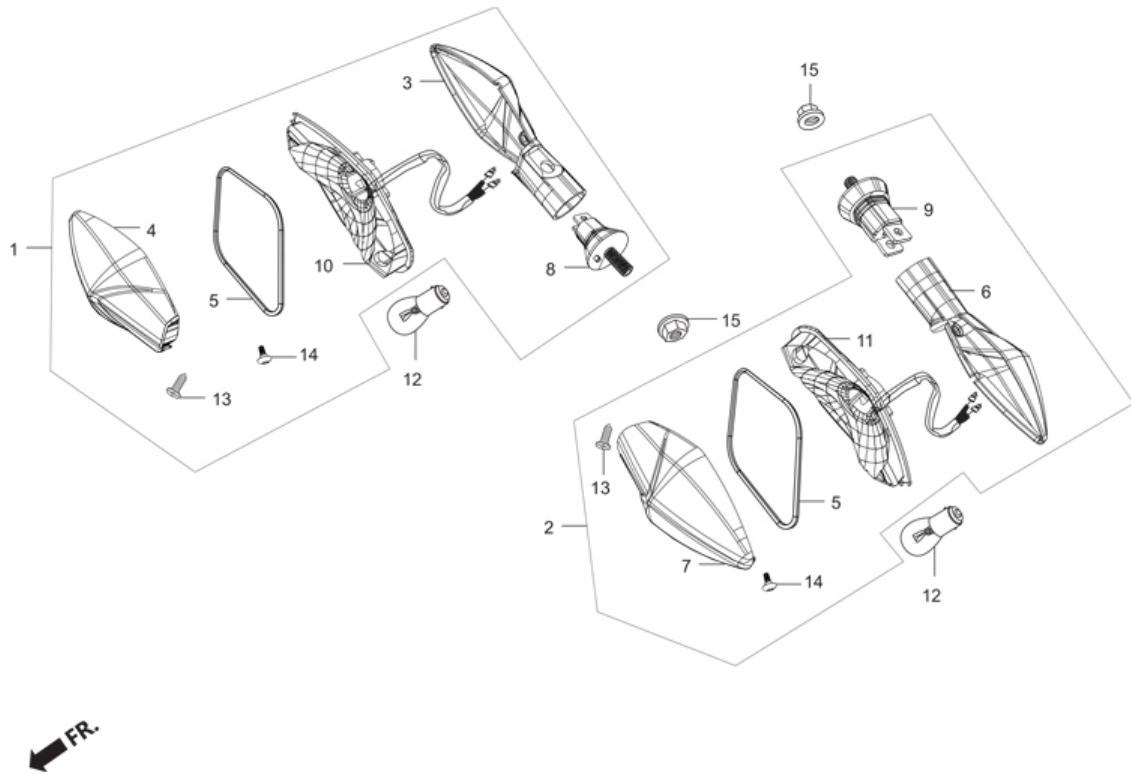
Ref No.	Part Number	Description	Req.
1	31300-AAT-001	USB CHARGER ASSY	1
2	31301-AAW-001	GASKET, USB CHARGER	1
3	33301-KVE-900	BULB, WEDGE BASE (T10, 12V-5W)	1
4	33721-ABW-001	SOCKET COMP. DOMESTIC	1
5	33729-MCZ-003	PACKING, LENS	1
6	3372B-ABW-001	LIGHT ASSY. LICENSE	1
7	33743-AAR-001	REFLEX REFLECTOR SIDE	1
8	50190-ABW-000	STAY COMP. RR FENDER	1
9	80100-ABW-100	RR FENDER A	1
10	80110-ABW-100	RR FENDER B	1
11	80123-KCC-870	BAND, TOOL	2
12	80203-KVE-900	RUBBER LICENSE LIGHT	1
13	90101-GE0-000	SCREW, HINGE PATCH	4
14	90111-187-000	BOLT, FLANGE. 6 MM	2
15	90311-MT3-000	NUT, CLIP, 6 MM	2
16	90313-172-000	NUT, SPEED ,4MM	2
17	90320-GC3-000	NUT, SPRING, M5	4
18	93903-34380	SCREW, TAPPING, 4X12	2
19	94050-05000	NUT FLANGE, 5 MM	2
20	95701-06014-00	BOLT, FLANGE, 6 X 14	2
21	96001-06018-07	BOLT FLANGE SH 6X18	4
22	95701-06012-00	BOLT, FLANGE, 6X12	2
23	33722-AAG-00099	BASE COMP	1
24	33723-AAG-00099	COVER COMP	1

F-20 : REAR FENDER



25	90311-AAA-000	NUT REAR FENDER	2
----	---------------	-----------------	---

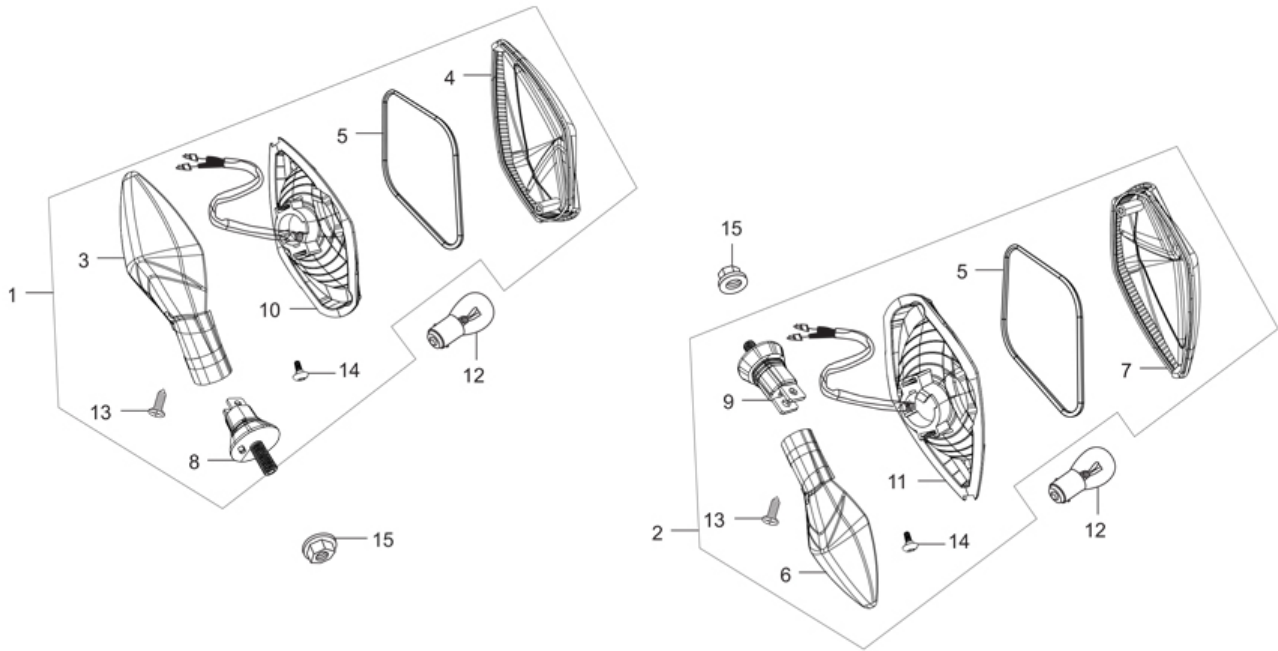
F-21 : FRONT WINKER



Group Number: F-21 Model :: Xpulse 200FI (May, 2019)

Ref No.	Part Number	Description	Req.
1	3340B-ABW-001	WINKER ASSY R FR	1
2	3345B-ABW-001	WINKER ASSY L FR	1
3	33401-AAR-001	HOUSING R	1
4	33402-AAS-001	LENS, RIGHT	1
5	33408-AAR-001	PACKING	2
6	33451-AAR-001	HOUSING L	1
7	33452-AAS-001	LENS, LEFT	1
8	33491-ABW-001	STAY COMP WINKER R	1
9	33496-ABW-001	STAY COMP WINKER L	1
10	33405-AAN-40099	REFLECTOR COMP R	1
11	33455-AAN-40099	REFLECTOR COMP L	1
12	34930-AAC-700	BULB(12V 10W) AMBER	2
	34930-AAC-700	BULB(12V 10W) AMBER	2
	34930-AAC-700	BULB(12V 10W) AMBER	2
13	90380-AAR-001	SCREW SPECIAL	2
14	93901-AAR-001	ST. SCREW 3X10	2
15	94050-08000	NUT, FLANGE, 8MM	2

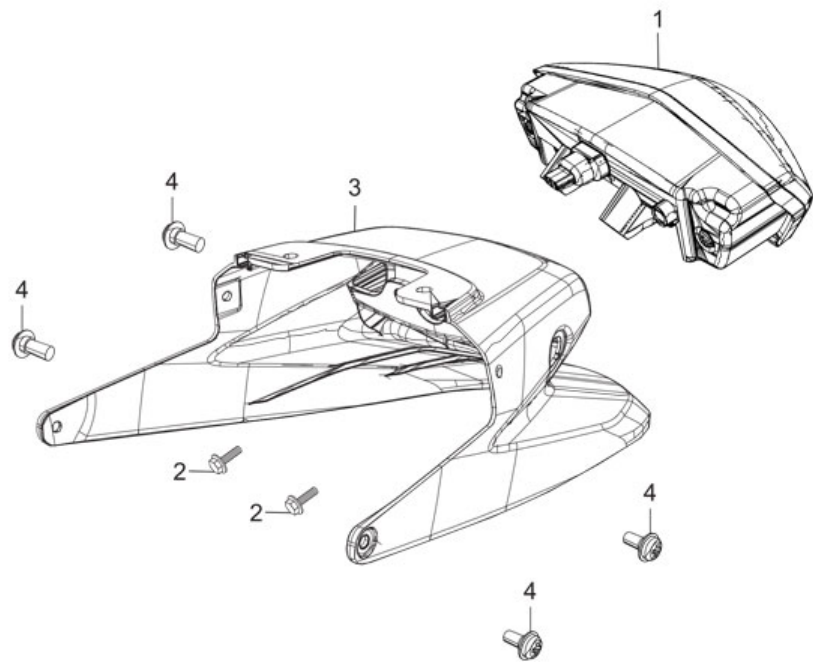
F-21A : REAR WINKER



Group Number: F-21A Model :: Xpulse 200FI (May, 2019)

Ref No.	Part Number	Description	Req.
1	3360B-ABW-001	WINKER ASSY R RR	1
2	3365B-ABW-001	WINKER ASSY L RR	1
3	33401-AAR-001	HOUSING R	1
4	33402-AAS-001	LENS, RIGHT	1
5	33408-AAR-001	PACKING	2
6	33451-AAR-001	HOUSING L	1
7	33452-AAS-001	LENS, LEFT	1
8	33491-ABW-001	STAY COMP WINKER R	1
9	33496-ABW-001	STAY COMP WINKER L	1
10	33605-AAN-40099	REFLECTOR COMP R WINKER ASSY.	1
11	33655-AAN-40099	REFLECTOR COMP L WINKER ASSY.	1
12	34930-AAC-700	BULB(12V 10W) AMBER	2
	34930-AAC-700	BULB(12V 10W) AMBER	2
	34930-AAC-700	BULB(12V 10W) AMBER	2
13	90380-AAR-001	SCREW SPECIAL	2
14	93901-AAR-001	ST. SCREW 3X10	2
15	94050-08000	NUT, FLANGE, 8MM	2

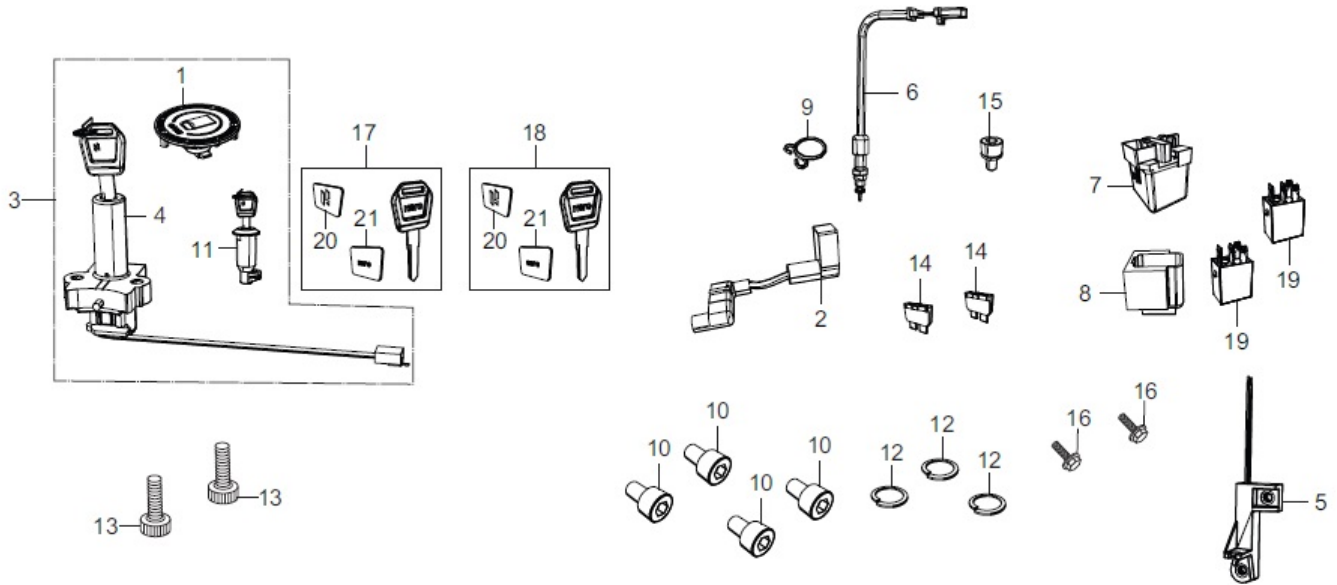
F-22 : TAIL LIGHT



Group Number: F-22 Model :: Xpulse 200FI (May, 2019)

Ref No.	Part Number	Description	Req.
1	33700-ABW-001	UNIT TAIL LIGHT	1
2	90111-187-000	BOLT, FLANGE. 6 MM	2
3	88100-ABW-100R	SET TAIL LIGHT COVER (BLACK NH-1)	1
4	90101-GE0-000	SCREW, HINGE PATCH	4

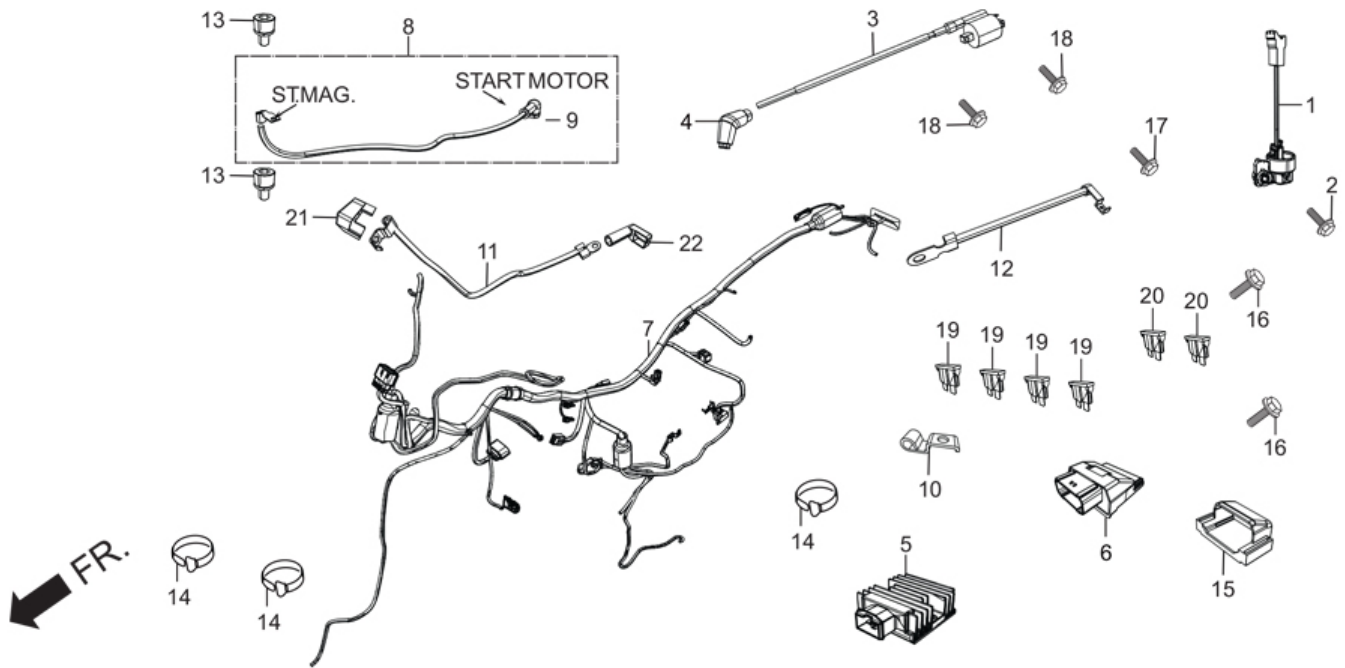
F-23 : SWITCH ASSY./ RELAY / LOCK ASSY./ KEY BLANK



Group Number: F-23 **Model ::** Xpulse 200FI (May, 2019)

Ref No.	Part Number	Description	Req.
1	17620-AAK-H01	CAP COMP. FUEL FILLER	1
2	32401-ABW-000	CABLE ST MAG BATT	1
3	35010-ABW-001	KEY SET	1
4	35100-AAK-201	SWITCH ASSY., COMB & LOCK	1
5	35140-ABW-201	SIDE STAND SWITCH	1
6	35350-KVE-930A	SWITCH ASSY, REAR STOP	1
7	35850-KR3-870	SWITCH ASSY., START MAG.	1
8	35856-KBG-007	RUBBER,SHOCK	1
9	90601-KAF-003	CLIP, SW. COVER	1
10	90110-KVE-900	BOLT SOCKET 6X8	4
11	77239-AAL-H00	KEY SEAT LOCK	1
12	94111-03800	WASHER, SPRING, 3MM	3
13	96600-08025-00	SOCKET, BOLT, 8 X 25	2
14	98200-32000	BLADE, FUSE, 20A	2
15	90111-MR5-000	BOLT, SOCKET, 5X9	1
16	95701-05016-00	BOLT FLANGE 5X16	2
17	35121-ABW-001	BLANK KEY NO. 01	1
18	35122-ABW-001	BLANK KEY NO. 02	1
19	38551-AAW-501	RELAY COMP. POWER (MICRO ISO 4P)	2
20	35113-ABW-000	EMBLEM ICON	2
21	35114-ABW-000	EMBLEM, WORD MARK	2

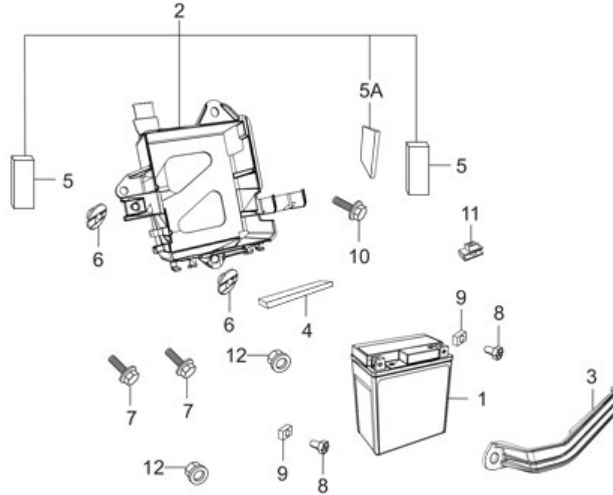
F-24 : ELECTRICALS (WIRE HARNESS/START CABLES)



Group Number: F-24 Model :: Xpulse 200FI (May, 2019)

Ref No.	Part Number	Description	Req.
1	35160-ABH-001	SENSOR ASSY BANK ANGLE	1
2	90002-ABA-000	BOLT FLANGE 5X20	1
3	30510-ABW-201	COIL COMP. IGNITION	1
4	30700-KWA-831	CAP ASSY,NOISE SUPPRESSOR	1
5	31600-ABW-201	REG REC COMP	1
6	38770-ABW-301	UNIT COMP ECU	1
7	32100-ABW-200	HARNESS WIRE	1
8	32410-ABW-000	CABLE START MOTOR	1
9	32411-253-000	COVER, STARTING MOTOR	1
10	32413-KRY-970	TERMINAL, BAT CABLE	1
11	32601-AAB-A00	CABLE BAT EARTH	1
12	32602-ABW-000	CABLE, ENG EARTH	1
13	90111-MR5-000	BOLT, SOCKET, 5X9	2
14	91540-AAN-410	CLIP, BAND HARN	3
15	38771-ABH-000	CUSHION. IGN. UNIT	1
16	95701-06018-00	BOLT FLANGE 6X18	2
17	96001-06016-00	BOLT, FLANGE SH. 6 X 16	1
18	96001-06020-00	BOLT, FLANGE, SH. 6 X 20	2
19	98210-HMC-000	MINI FUSE 10A	4
20	98215-HMC-000	MINI FUSE 15A	2
21	32406-ABW-000	COVER ST.MAG.TERMINAL	1
22	32417-KTR-A10	COVER, BAT. TERMINAL	1

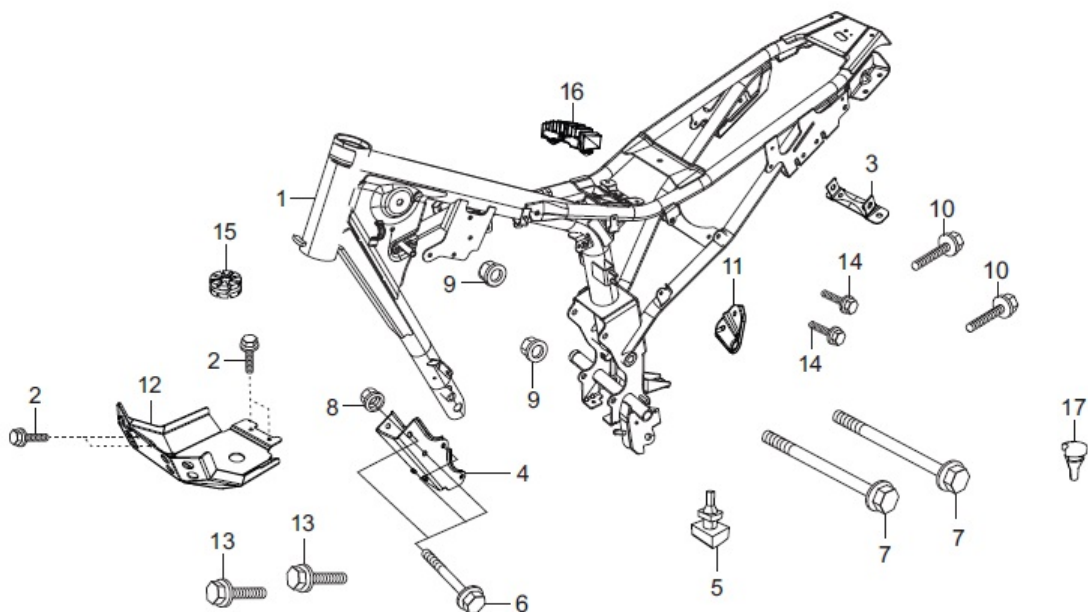
F-24A : BATTERY ASSY.



Group Number: F-24A **Model ::** Xpulse 200FI (May, 2019)

Ref No.	Part Number	Description	Req.
1	31500-KRY-801	BATTERY ASSY MF7	1
2	1723A-ABW-000	BOX BATTERY ASSY	1
3	50327-ABW-000	BAND BATTERY ASSY	1
4	83403-ABW-0000-20	CUSHION BATTERY 1	1
5	83403-AAB-A000-21	CUSHION BATTERY 2	2
5A	83403-ABW-0000-21	CUSHION BATTERY 2	1
6	61107-KK6-000	WASHER, 6MM	2
7	90111-187-000	BOLT, FLANGE. 6 MM	2
8	90122-KVT-941	BOLT BATTERY TERMINAL	2
9	90306-KVT-941	NUT BATTERY TERMINAL	2
10	95701-06018-00	BOLT FLANGE 6X18	1
11	90311-MT3-000	NUT, CLIP, 6 MM	1
12	94050-06000	NUT, FLANGE, 6 MM	2

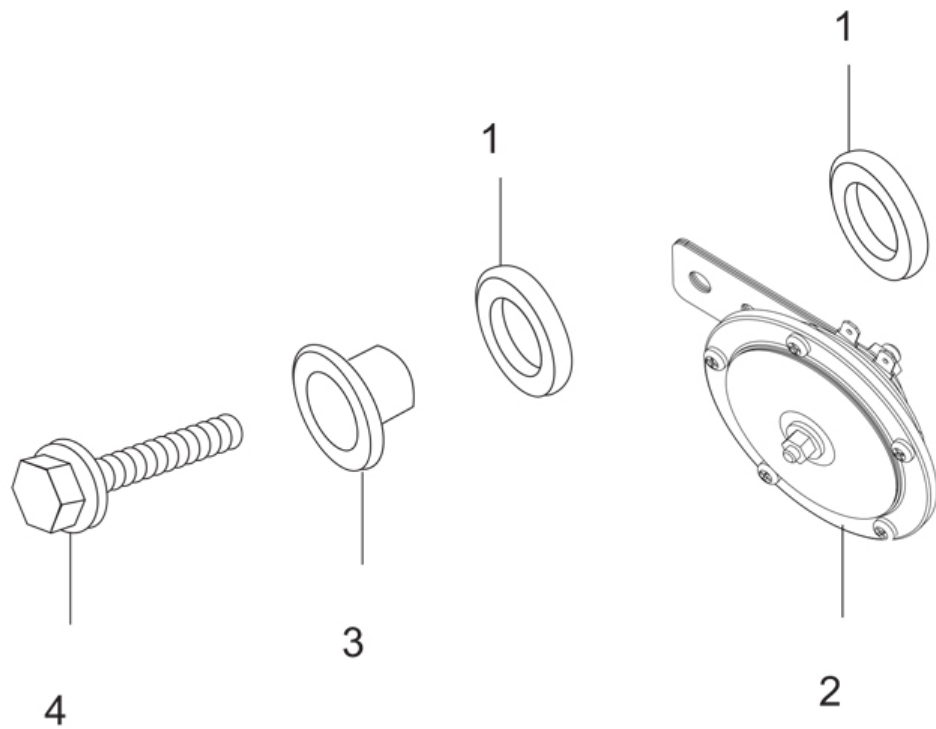
F-25 : FRAME BODY



Group Number: F-25 Model :: Xpulse 200FI (May, 2019)

Ref No.	Part Number	Description	Req.
1	50100-ABW-100	FRAME BODY COMP	1
2	95701-06014-00	BOLT, FLANGE, 6 X 14	4
3	50337-ABW-200	STAY ECU	1
4	50351-ABW-000	PLATE FR ENGINE HANGER	1
5	50505-KTN-700	RUBBER, A STAND STOPPER	1
6	95801-08085-00	BOLT, FLANGE, 8X85	3
7	90019-399-010	BOLT, FLANGE, 10 X 110	2
8	94050-08000	NUT, FLANGE, 8MM	3
9	94050-10000	NUT, FLANGE, 10MM	2
10	95701-06012-07	BOLT, FLANGE, 6X12	2
11	50112-ABW-000	BRKT COMP, EXHAUST MNTG	1
12	64300-ABW-300	BASH PLATE	1
13	95701-08014-00	BOLT FLANGE 8X14	2
14	95701-08018-07	BOLT FLANGE 8 X 18	2
15	64306-ABW-300	GROMMET, BASH PLATE	4
16	50328-ABW-000	DAMPER TANK COMP FUEL	1
17	50137-AAR-000	PLUG CABLE RETENTION	2

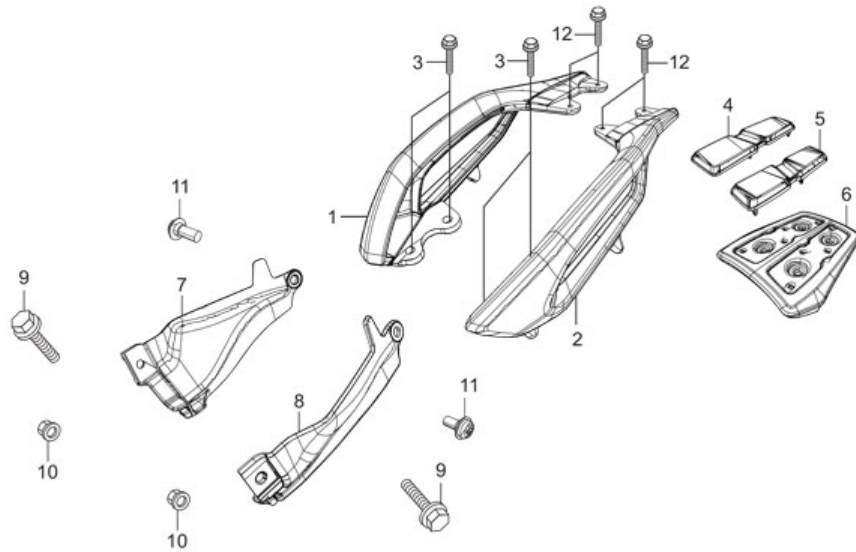
F-25A : HORN ASSY.



Group Number: F-25A Model :: Xpulse 200FI (May, 2019)

Ref No.	Part Number	Description	Req.
1	33714-KL3-620	RUBBER, TAIL LIGHT	2
2	38110-KVE-861	HORN COMP	1
3	38117-KFE-701	COLLAR, HORN SET	1
4	95701-06020-07	BOLT, FLANGE, 6 X 20	1

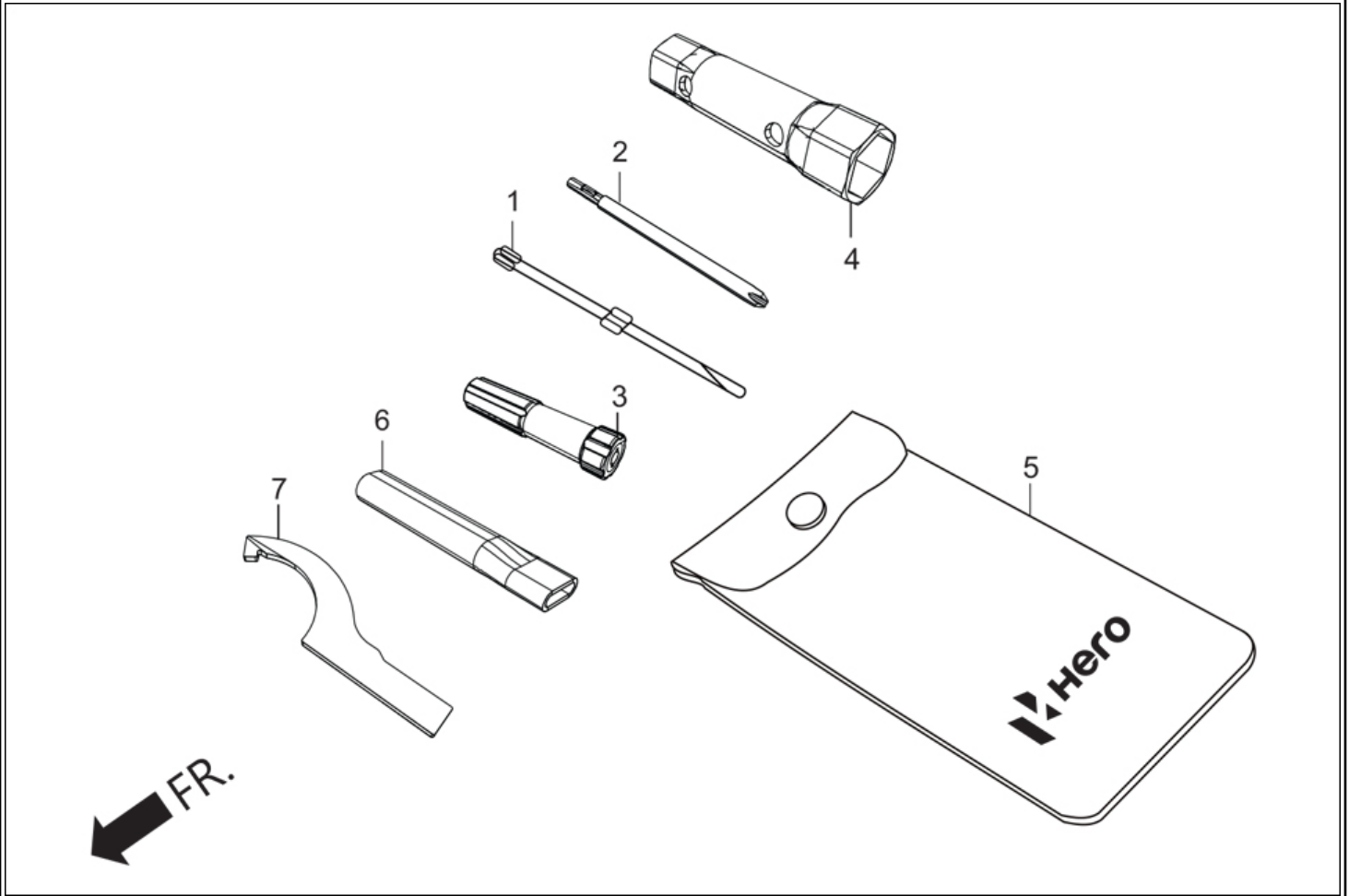
F-25B : GRIP REAR



Group Number: F-25B Model :: Xpulse 200FI (May, 2019)

Ref No.	Part Number	Description	Req.
1	50400-ABW-100	GRIP R REAR	1
2	50450-ABW-100	GRIP L REAR	1
3	95701-06016-00	BOLT, FLANGE, 6X16	4
4	81301-ABW-000	RUBBER GRIP REAR R	1
5	81302-ABW-000	RUBBER GRIP REAR L	1
6	81300-ABW-100	LUGGAGE CARRIER CENTER	1
7	77210-ABW-000	COVER GRIP R	1
8	77220-ABW-000	COVER GRIP L	1
9	95701-08025-00	BOLT, FLANGE 8 X 25	2
10	94050-08000	NUT, FLANGE, 8MM	2
11	90101-GE0-000	SCREW, HINGE PATCH	2
12	95701-06014-00	BOLT, FLANGE, 6 X 14	4

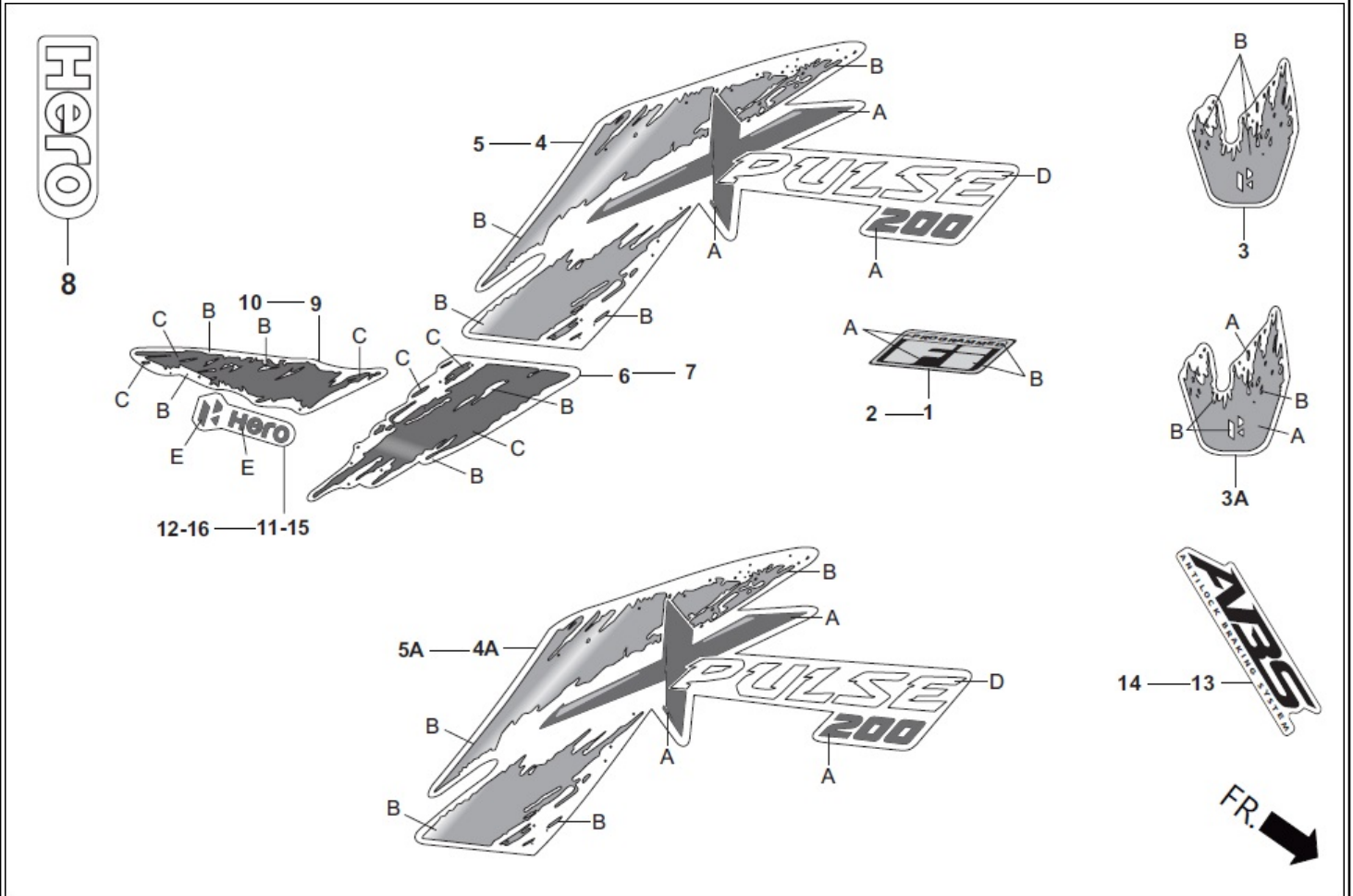
F-26 : TOOLS



Group Number: F-26 Model :: Xpulse 200FI (May, 2019)

Ref No.	Part Number	Description	Req.
1	89102-538-000	SCREW, DRIVER PLUS/MINUS	1
2	89102-AAC-000	NO.3 CROSS POINT SCREW DRIVER	1
3	89103-538-000	GRIP, SCREW DRIVER	1
4	89215-AAC-000	BOX WRENCH P16X14	1
5	89216-AAD-H00	TOOL BAG	1
6	99006-AAB-A00	HANDLE PIN SPANNER	1
7	99007-AAB-A00	PIN SPANNER	1

F-27 : STRIPES/MARKS



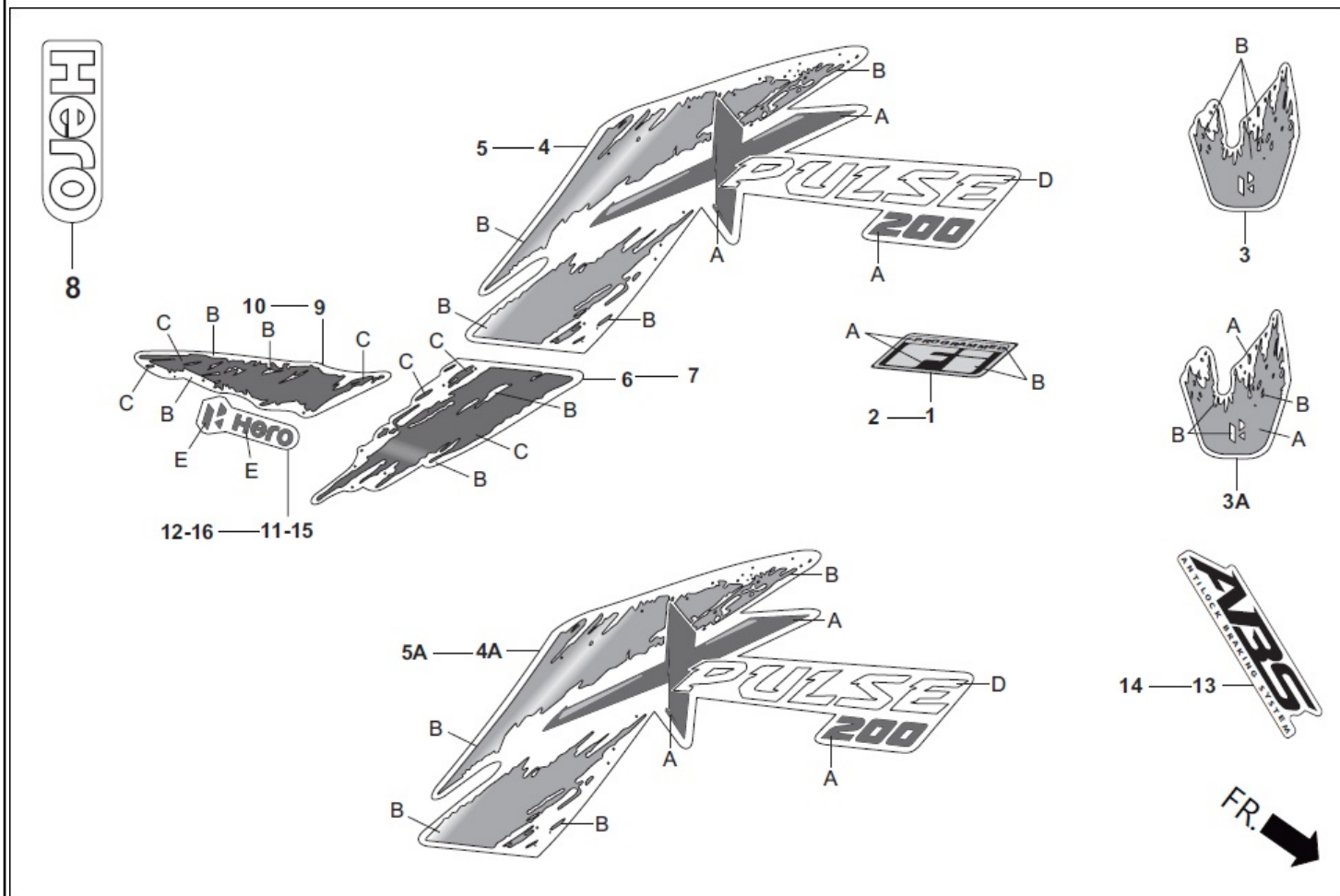
Group Number: F-27 Model :: Xpulse 200FI (May, 2019)

Ref No.	Part Number	Description	Req.
1	85402-ABW-200R	PROGRAMMED FI MARK R SIDE (TYPE-1)	1

SPECIFIED COLOUR CHART FOR, PROGRAMMED FI MARK R SIDE

SPECIFIED COLOUR TYPE	A	B	MAIN BODY COLOUR
			MATT MLACK
			METALLIC MATT GREEN GR(BR)-001M(F)
			PEARL FADELESS WHITE (NH-341P)
			BLACK (NH-1)
			SPORTS RED (R-321)

F-27 : STRIPES/MARKS



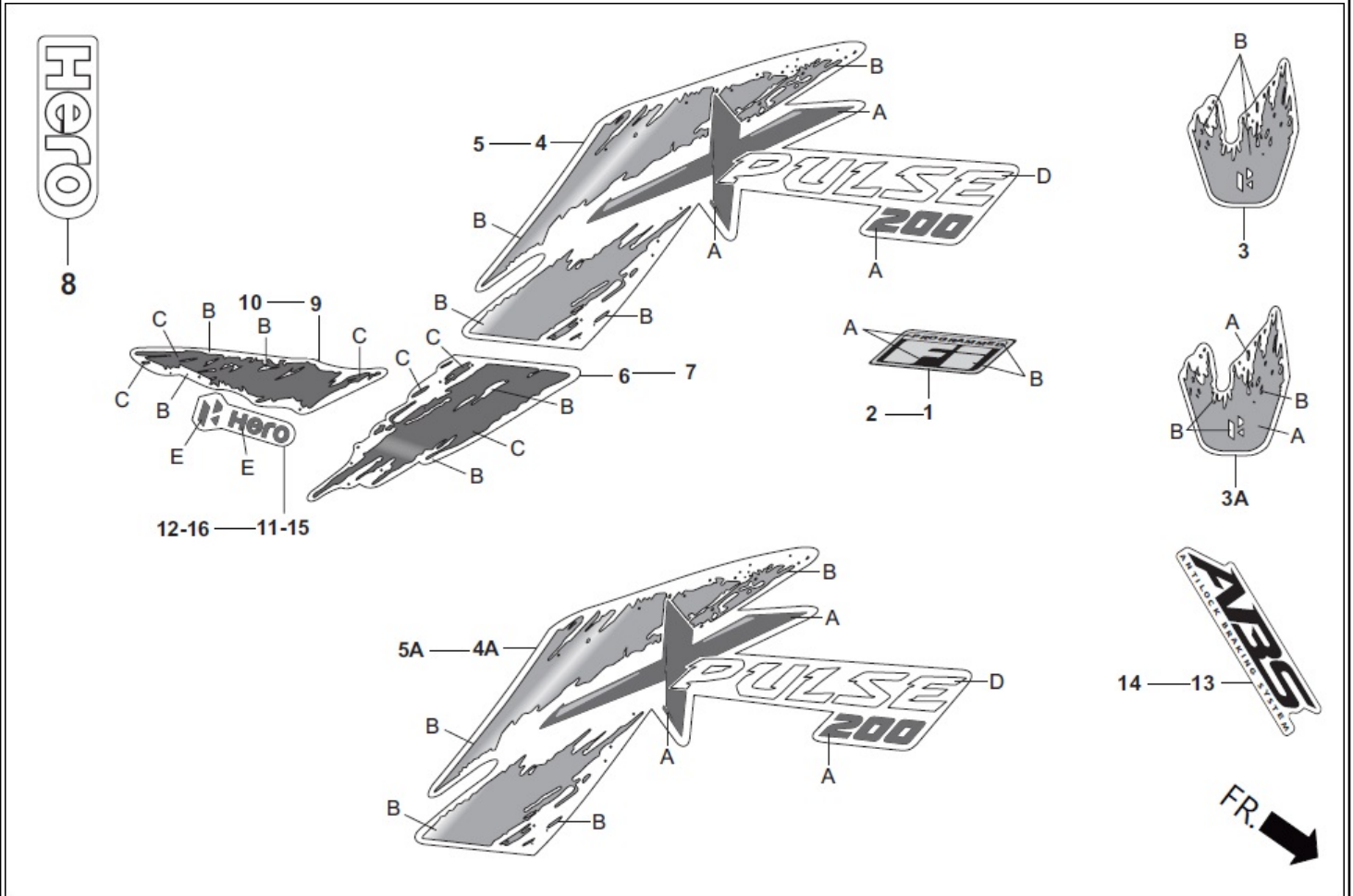
Group Number: F-27 Model :: Xpulse 200FI (May, 2019)

Ref No.	Part Number	Description	Req.
2	85403-ABW-200R	PROGRAMMED FI MARK L SIDE (TYPE-1)	1

SPECIFIED COLOUR CHART FOR, PROGRAMMED FI MARK R SIDE

SPECIFIED COLOUR TYPE	A	B	MAIN BODY COLOUR
	1	MATT MLACK	BRUSHED ALUMINUM

F-27 : STRIPES/MARKS



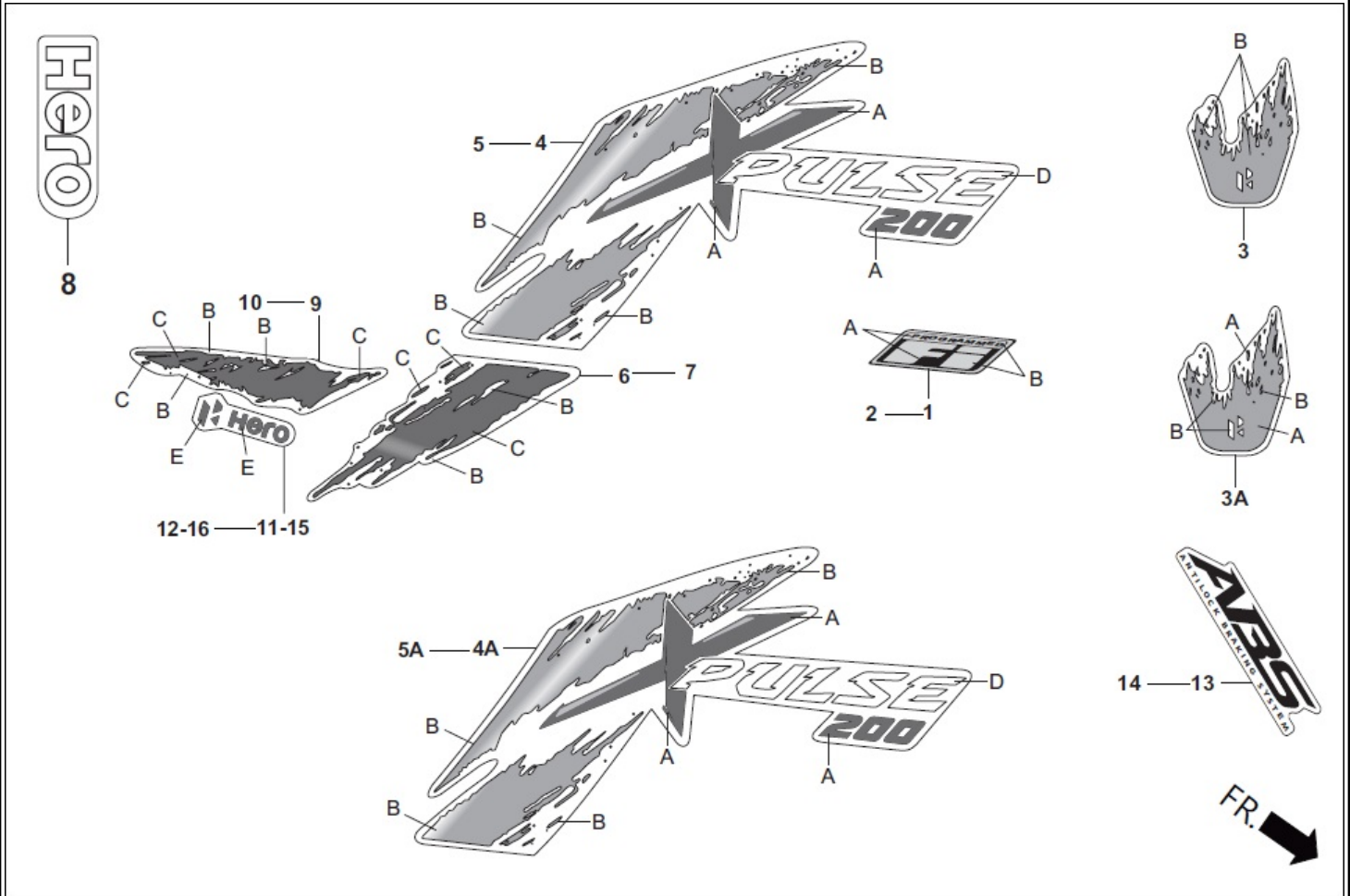
Group Number: F-27 Model :: Xpulse 200FI (May, 2019)

Ref No.	Part Number	Description	Req.
3	86776-ABW-300R	STRIPE FR FENDER (TYPE-1)	1
	86776-ABW-300T	STRIPE FR FENDER (TYPE-3)	1

SPECIFIED COLOUR CHART FOR, STRIPE FR FENDER

SPECIFIED COLOUR TYPE	B	FINISH	MAIN BODY COLOUR
1	MATT RAY SILVER	CLOSS	MAT AXIS GRAY METALLIC (NH-303M)
	-----	-----	METALLIC MATT GREEN GR(BR)-001M(F)
3	HEAVY GREY ME.	CLOSS	PEARL FADELESS WHITE (NH-341P)
	-----	-----	BLACK (NH-1)
	-----	-----	SPORTS RED (R-321)

F-27 : STRIPES/MARKS



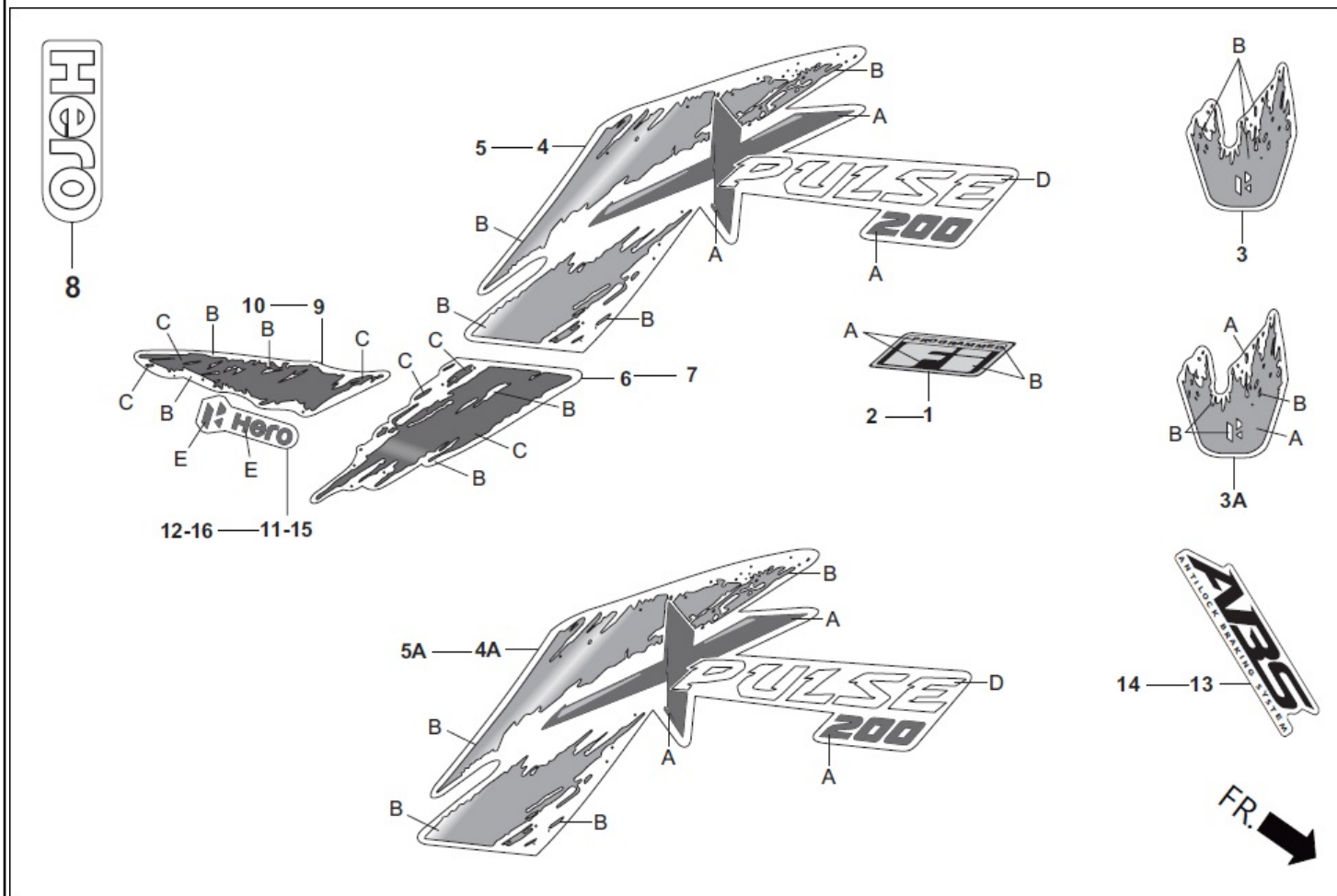
Group Number: F-27 Model :: Xpulse 200FI (May, 2019)

Ref No.	Part Number	Description	Req.
3A	86776-ABW-100R	STRIPE FR FENDER (TYPE-1)	1
	86776-ABW-100S	STRIPE FR FENDER (TYPE-2)	1

SPECIFIED COLOUR CHART FOR, STRIPE FR FENDER

SPECIFIED COLOUR TYPE	A	B	MAIN BODY COLOUR
	-----	-----	MAT AXIS GRAY METALLIC (NH-303M)
1	FORCE SILVER ME.	TRANSPARENT	METALLIC MATT GREEN GR(BR)-001M(F)
	-----	-----	PEARL FADELESS WHITE (NH-341P)
1	FORCE SILVER ME.	TRANSPARENT	BLACK (NH-1)
2	R - 321 SPORTS RED	TRANSPARENT	SPORTS RED (R-321)

F-27 : STRIPES/MARKS



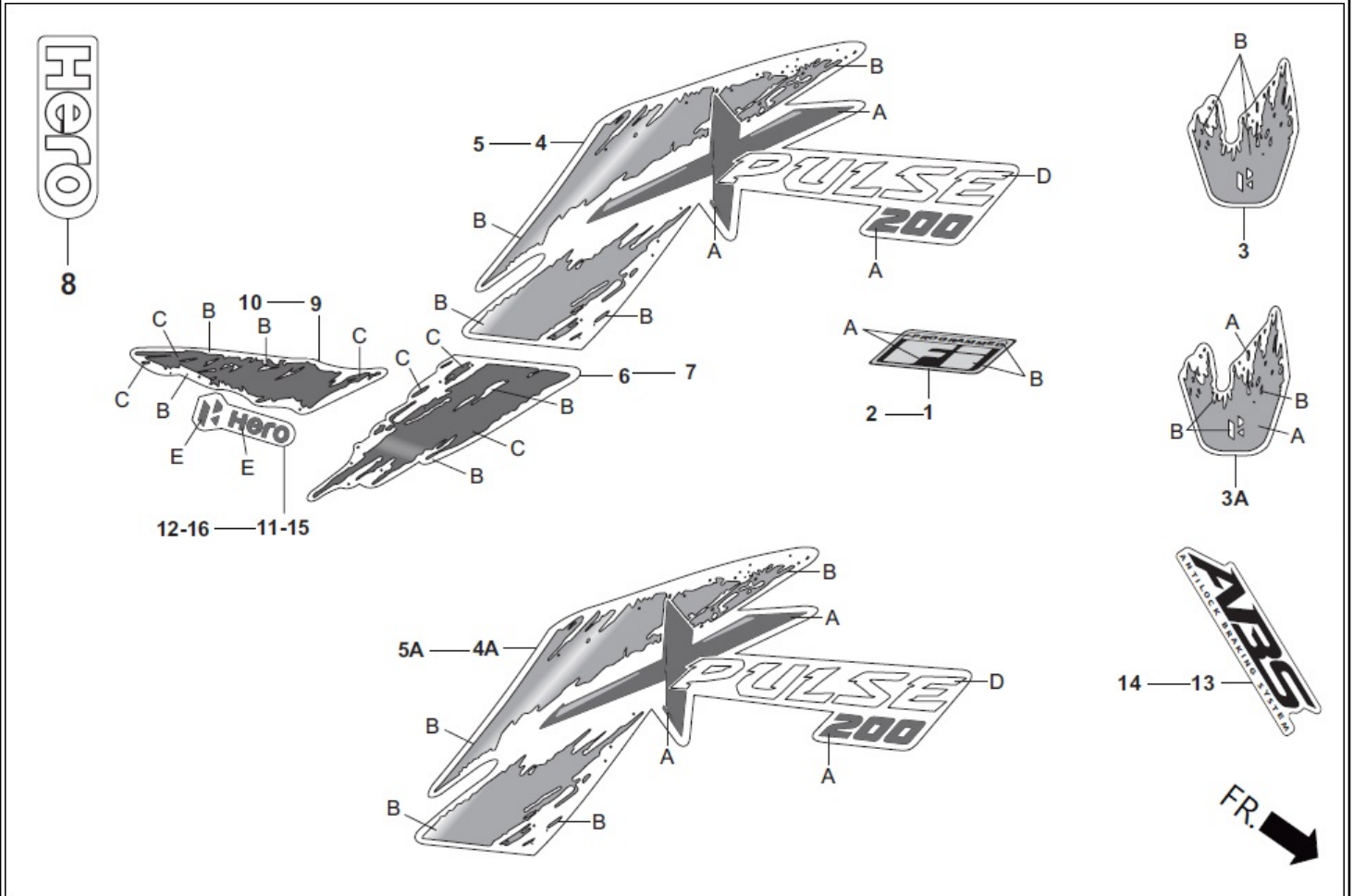
Group Number: F-27 Model :: Xpulse 200FI (May, 2019)

Ref No.	Part Number	Description	Req.
4	86781-ABW-300R	STRIPE R FUEL TANK (TYPE-1)	1
	86781-ABW-300S	STRIPE R FUEL TANK (TYPE-2)	1
	86781-ABW-300T	STRIPE R FUEL TANK (TYPE-3)	1

SPECIFIED COLOUR CHART FOR, STRIPE R FUEL TANK

SPECIFIED COLOUR TYPE	A	B	D	MAIN BODY COLOUR
1	SPORTS RED	MATT RAY SILVER	MATT FORCE SILVER	MAT AXIS GRAY METALLIC (NH-303M)
2	SPORTS RED	MATT FORCE SILVER	MATT FORCE SILVER	METALLIC MATT GREEN GR(BR)-001M(F)
3	SPORTS RED	HEAVY GREY ME.	BLACK NH-1	PEARL FADELESS WHITE (NH-341P)
	-----	-----	-----	BLACK (NH-1)
	-----	-----	-----	SPORTS RED (R-321)

F-27 : STRIPES/MARKS



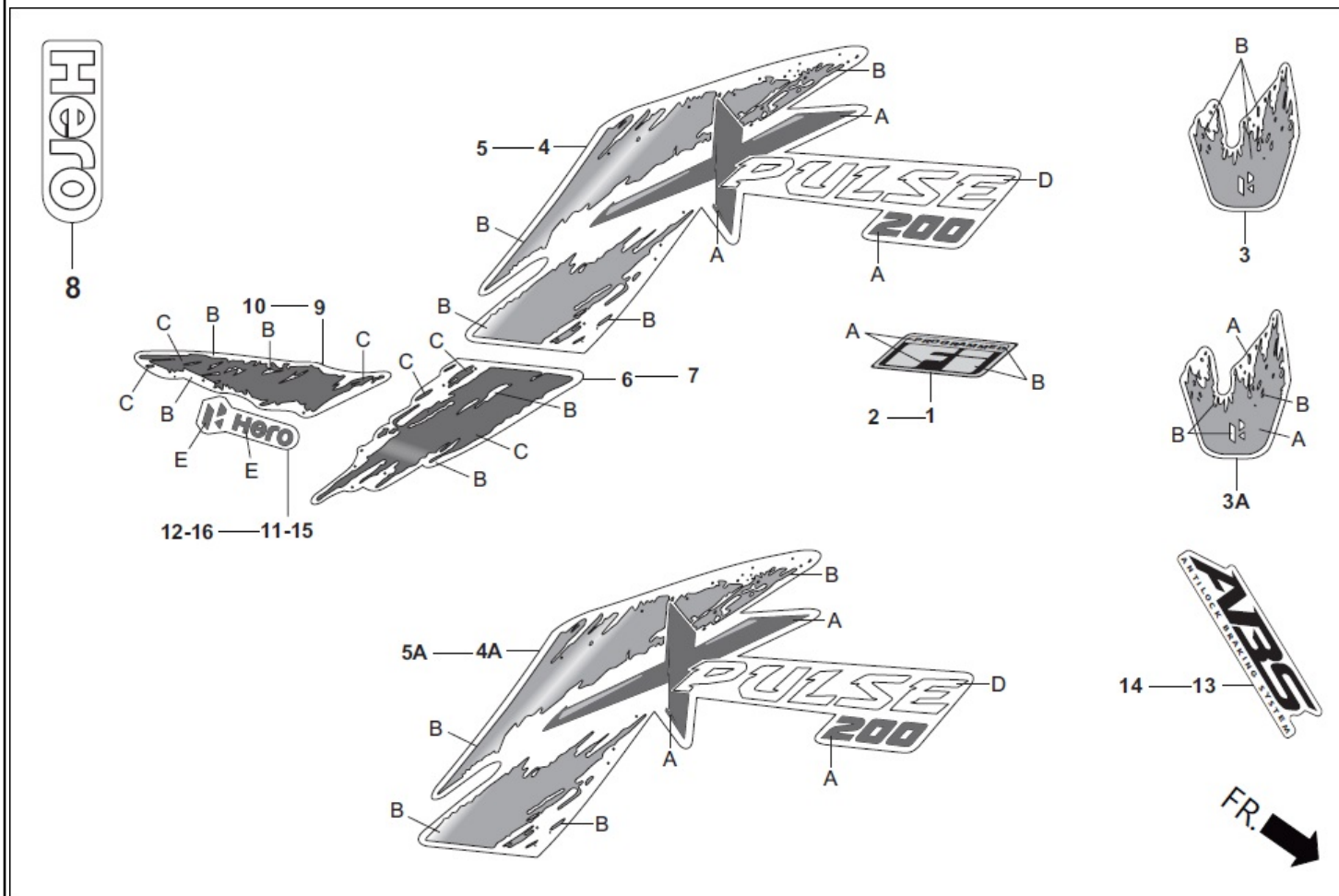
Group Number: F-27 Model :: Xpulse 200FI (May, 2019)

Ref No.	Part Number	Description	Req.
4A	86781-ABW-100R	STRIPE R FUEL TANK (TYPE-1)	1
	86781-ABW-100S	STRIPE R FUEL TANK (TYPE-2)	1

SPECIFIED COLOUR CHART FOR, STRIPE R FUEL TANK

SPECIFIED COLOUR TYPE	A	B	MAIN BODY COLOUR
	-----	-----	MAT AXIS GRAY METALLIC (NH-303M)
	-----	-----	METALLIC MATT GREEN GR(BR)-001M(F)
	-----	-----	PEARL FADELESS WHITE (NH-341P)
1	SPORTS RED	FORCE SILVER ME.	BLACK (NH-1)
2	WHITE - 2	NH-1 BLACK	SPORTS RED (R-321)

F-27 : STRIPES/MARKS



Group Number: F-27 Model :: Xpulse 200FI (May, 2019)

Ref No.	Part Number	Description	Req.
5	86782-ABW-300R	STRIPE L FUEL TANK (TYPE-1)	1
	86782-ABW-300S	STRIPE L FUEL TANK (TYPE-2)	1
	86782-ABW-300T	STRIPE L FUEL TANK (TYPE-3)	1

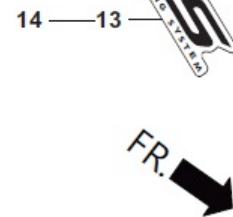
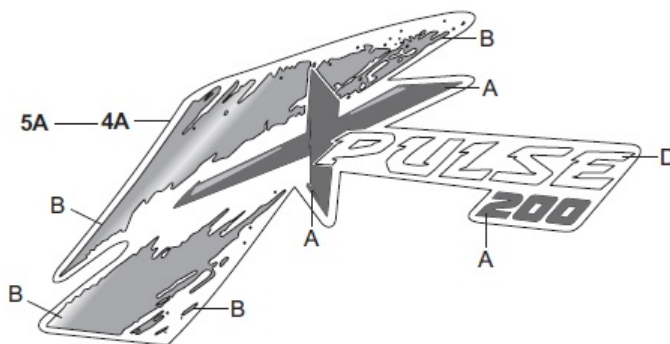
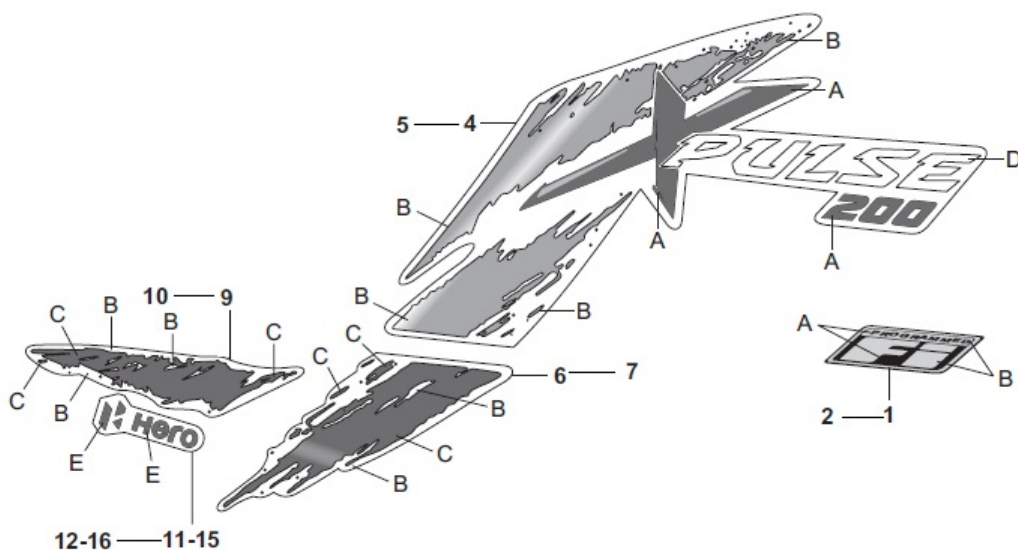
SPECIFIED COLOUR CHART FOR, STRIPE L FUEL TANK

SPECIFIED COLOUR TYPE	A	B	D	MAIN BODY COLOUR
1	SPORTS RED	MATT RAY SILVER	MATT FORCE SILVER	MAT AXIS GRAY METALLIC (NH-303M)
2	SPORTS RED	MATT FORCE SILVER	MATT FORCE SILVER	METALLIC MATT GREEN GR(BR)-001M(F)
3	SPORTS RED	HEAVY GREY ME.	BLACK NH-1	PEARL FADELESS WHITE (NH-341P)
	-----	-----	-----	BLACK (NH-1)
	-----	-----	-----	SPORTS RED (R-321)

F-27 : STRIPES/MARKS

Hero

8



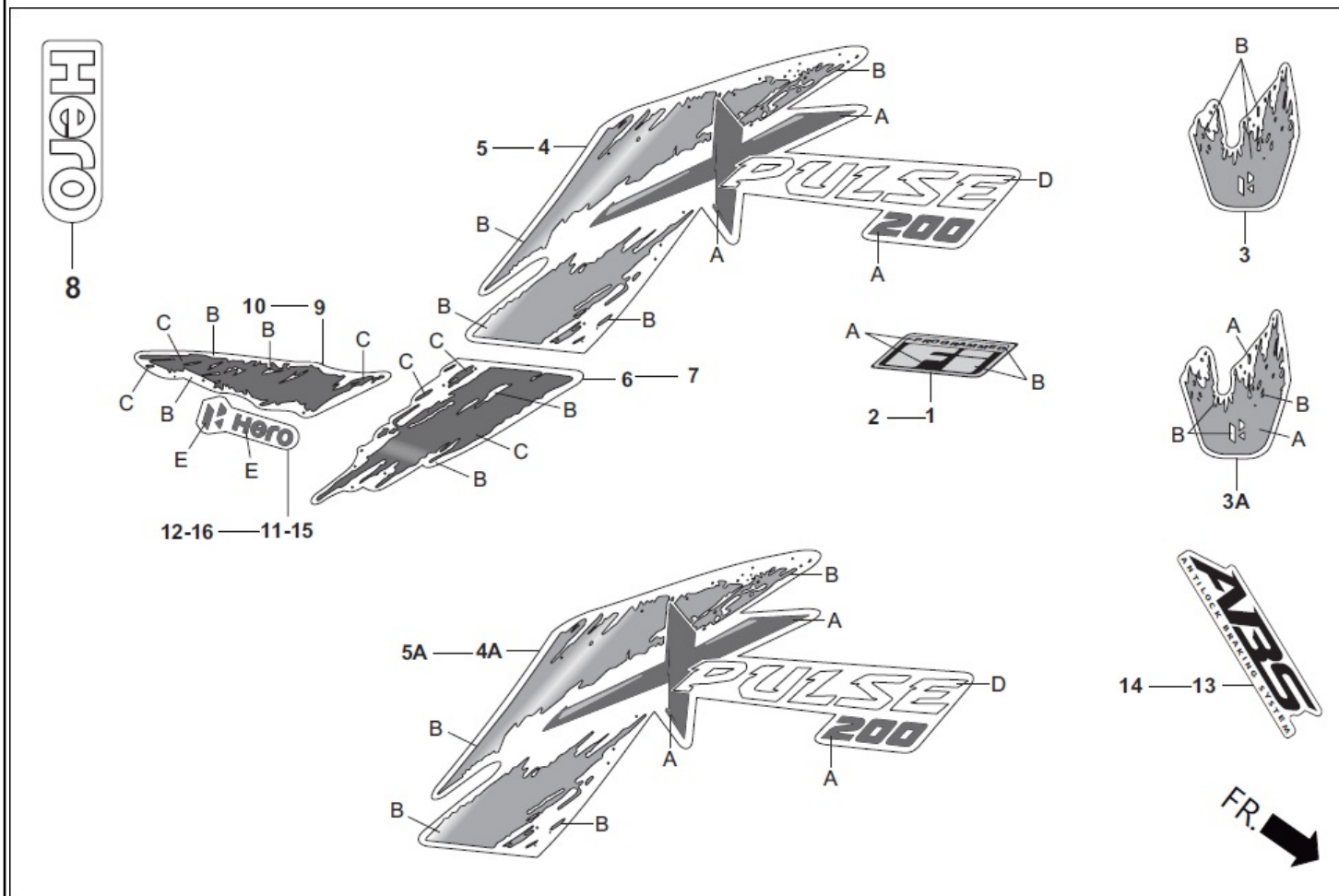
Group Number: F-27 Model :: Xpulse 200FI (May, 2019)

Ref No.	Part Number	Description	Req.
5A	86782-ABW-100R	STRIPE L FUEL TANK (TYPE-1)	1
	86782-ABW-100S	STRIPE L FUEL TANK (TYPE-2)	1

SPECIFIED COLOUR CHART FOR, STRIPE L FUEL TANK

SPECIFIED COLOUR TYPE	A	B	MAIN BODY COLOUR
	-----	-----	MAT AXIS GRAY METALLIC (NH-303M)
	-----	-----	METALLIC MATT GREEN GR(BR)-001M(F)
	-----	-----	PEARL FADELESS WHITE (NH-341P)
1	SPORTS RED	FORCE SILVER ME.	BLACK (NH-1)
2	WHITE - 2	NH-1 BLACK	SPORTS RED (R-321)

F-27 : STRIPES/MARKS



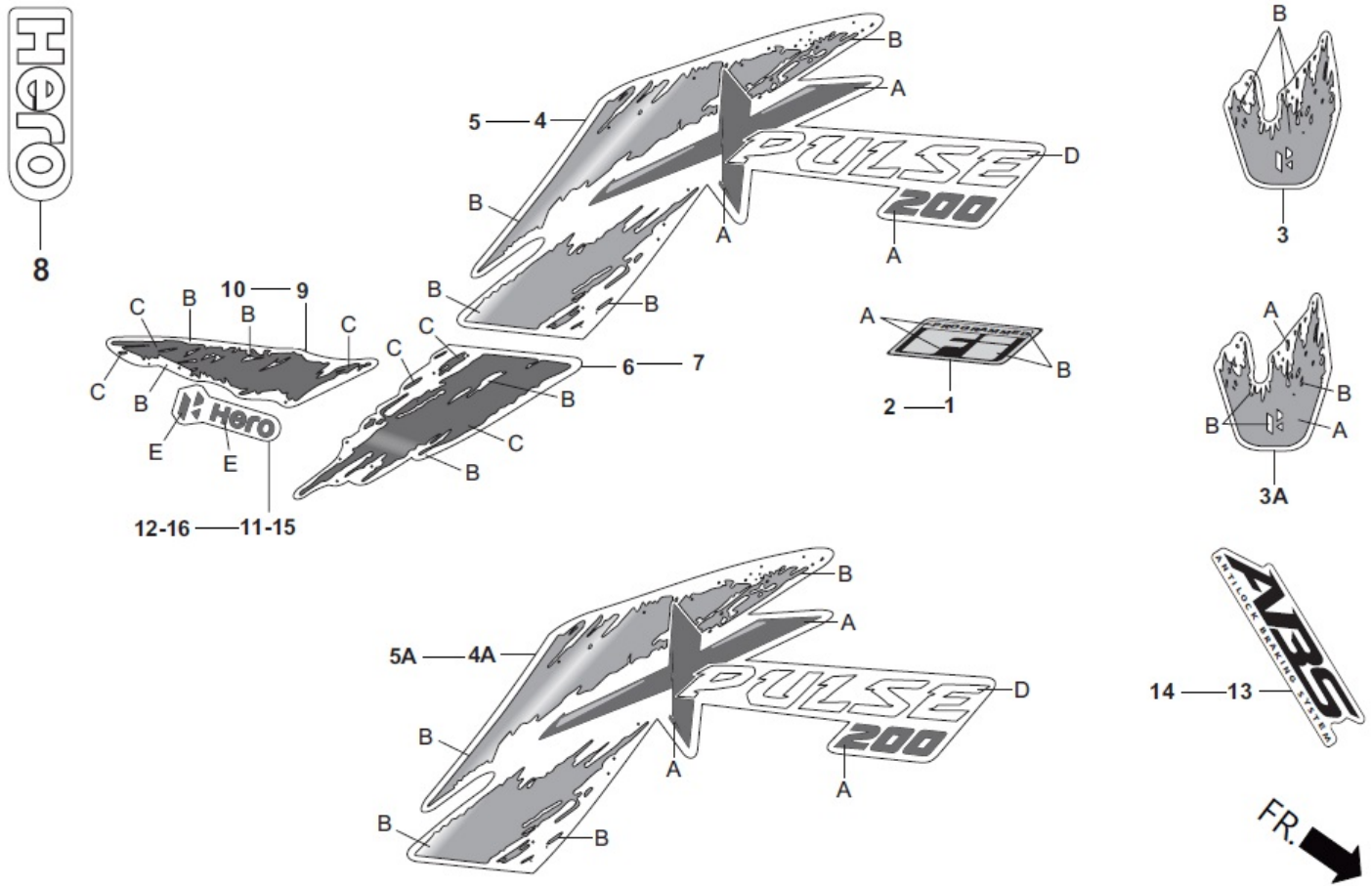
Group Number: F-27 Model :: Xpulse 200FI (May, 2019)

Ref No.	Part Number	Description	Req.
6	86783-ABW-300R	STRIPE A, SIDE COVER A R SIDE (TYPE-1)	1
	86783-ABW-300S	STRIPE A, SIDE COVER A R SIDE (TYPE-2)	1
	86783-ABW-300T	STRIPE A, SIDE COVER A R SIDE (TYPE-3)	1
	86783-ABW-100R	STRIPE A SIDE COVER A, R SIDE (TYPE-1)	1
	86783-ABW-100S	STRIPE A SIDE COVER A, R SIDE (TYPE-2)	1

SPECIFIED COLOUR CHART FOR, STRIPE A, SIDE COVER A R SIDE

SPECIFIED COLOUR TYPE	B	C	MAIN BODY COLOUR
1	MATT RAY SILVER	MATT AXIS GREY	MAT AXIS GRAY METALLIC (NH-303M)
2	MATT FORCE SILVER	MATT GREEN	METALLIC MATT GREEN GR(BR)-001M(F)
3	HEAVY GREY ME.	PEARL FADELESS WHITE	PEARL FADELESS WHITE (NH-341P)
1	FORCE SILVER ME.	NH-1 BLACK	BLACK (NH-1)
2	NH-1 BLACK	SPORTS RED	SPORTS RED (R-321)

F-27 : STRIPES/MARKS



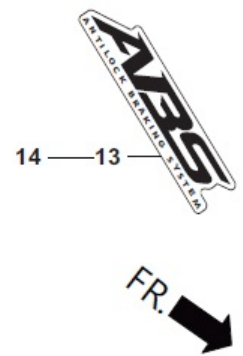
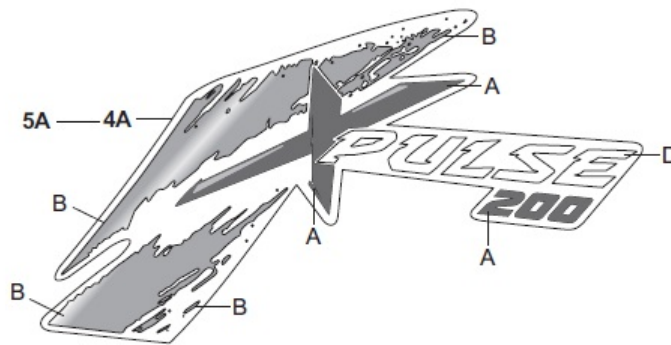
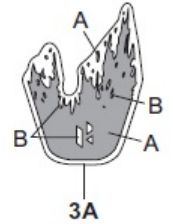
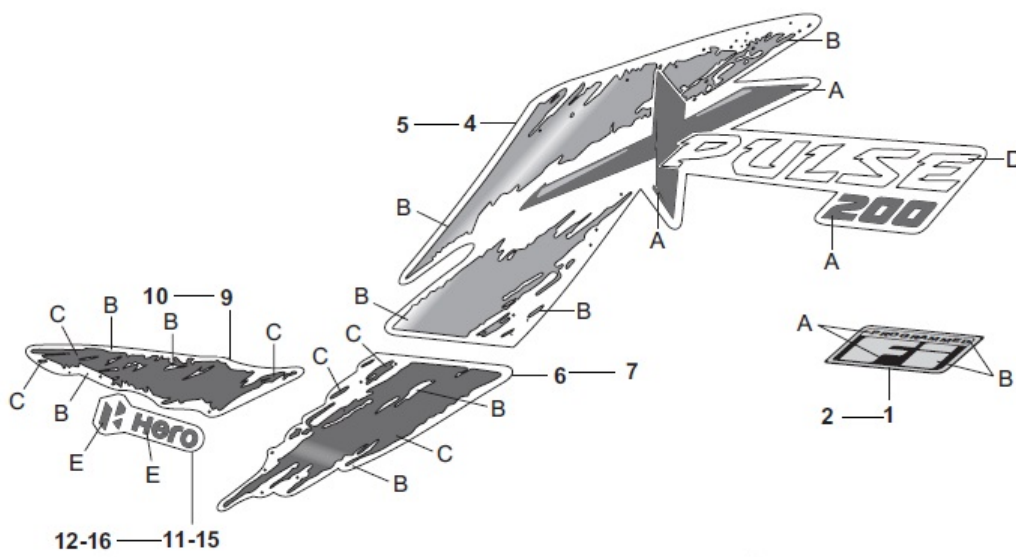
Group Number: F-27 Model :: Xpulse 200FI (May, 2019)

Ref No.	Part Number	Description	Req.
7	86784-ABW-300R	STRIPE A, SIDE COVER A L SIDE (TYPE-1)	1
	86784-ABW-300S	STRIPE A, SIDE COVER A L SIDE (TYPE-2)	1
	86784-ABW-300T	STRIPE A, SIDE COVER A L SIDE (TYPE-3)	1
	86784-ABW-100R	STRIPE A, SIDE COVER A, L SIDE (TYPE-1)	1
	86784-ABW-100S	STRIPE A, SIDE COVER A, L SIDE (TYPE-2)	1

SPECIFIED COLOUR CHART FOR, STRIPE A, SIDE COVER A L SIDE

SPECIFIED COLOUR TYPE	B	C	MAIN BODY COLOUR
1	MATT RAY SILVER	MATT AXIS GREY	MAT AXIS GRAY METALLIC (NH-303M)
2	MATT FORCE SILVER	MATT GREEN	METALLIC MATT GREEN GR(BR)-001M(F)
3	HEAVY GREY ME.	PEARL FADELESS WHITE	PEARL FADELESS WHITE (NH-341P)
1	FORCE SILVER ME.	NH-1 BLACK	BLACK (NH-1)
2	NH-1 BLACK	SPORTS RED	SPORTS RED (R-321)

F-27 : STRIPES/MARKS



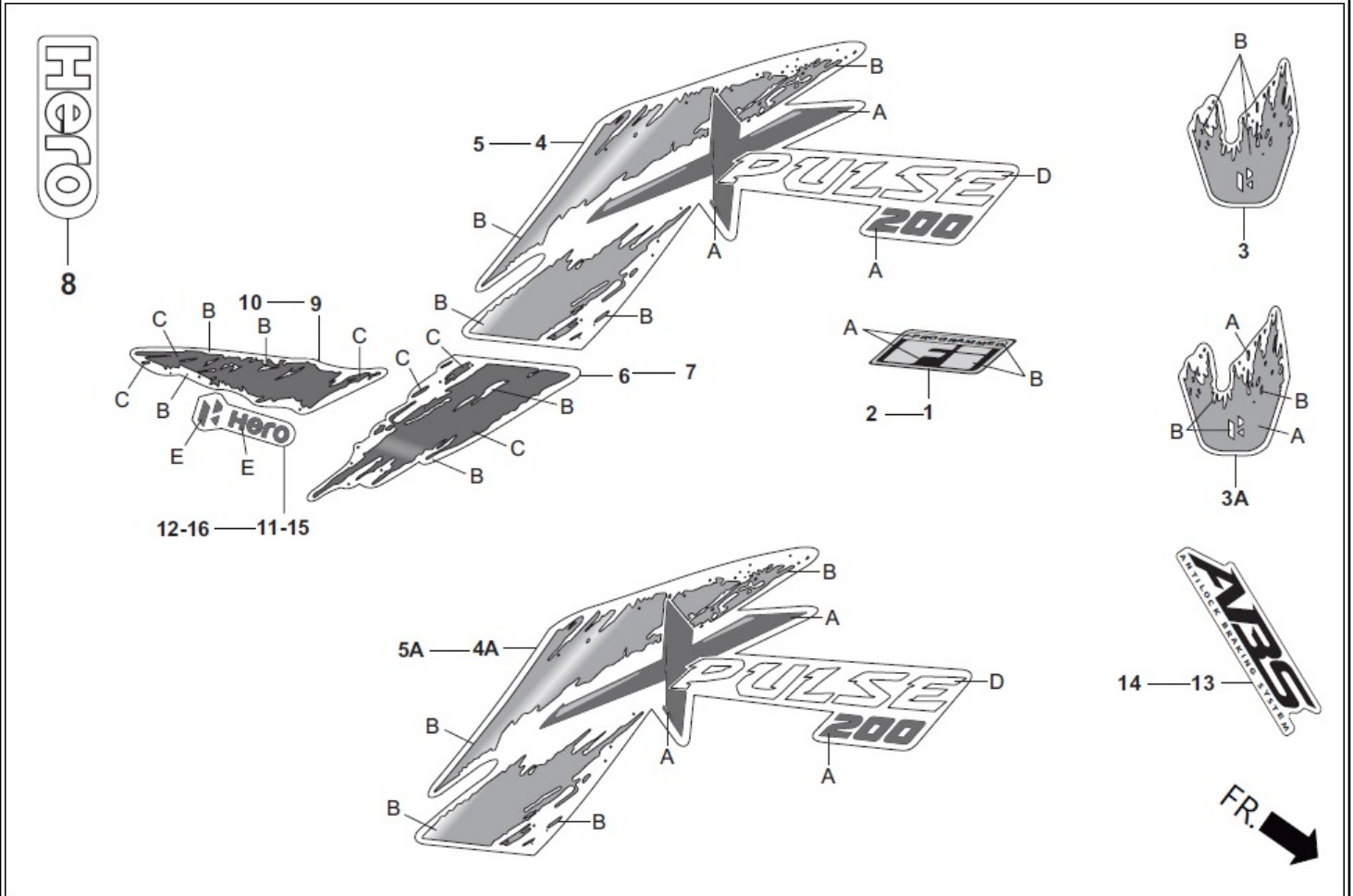
Group Number: F-27 Model :: Xpulse 200FI (May, 2019)

Ref No.	Part Number	Description	Req.
8	86785-ABW-000R	MARK HERO TAIL LGHT COVER (TYPE-1)	1
9	86785-ABW-300R	STRIPE B, SIDE COVER A R SIDE (TYPE-1)	1
	86785-ABW-300S	STRIPE B, SIDE COVER A R SIDE (TYPE-2)	1
	86785-ABW-300T	STRIPE B, SIDE COVER A R SIDE (TYPE-3)	1
	86785-ABW-100R	STRIPE B SIDE COVER A, R SIDE (TYPE-1)	1
	86785-ABW-100S	STRIPE B SIDE COVER A, R SIDE (TYPE-2)	1

SPECIFIED COLOUR CHART FOR, STRIPE B, SIDE COVER A R SIDE

SPECIFIED COLOUR TYPE	SPECIFIED COLOUR CHART FOR, STRIPE B, SIDE COVER A R SIDE		
	B	C	MAIN BODY COLOUR
1	MATT RAY SILVER	MATT AXIS GREY	MAT AXIS GRAY METALLIC (NH-303M)
2	MATT FORCE SILVER	MATT GREEN	METALLIC MATT GREEN GR(BR)-001M(F)
3	HEAVY GREY ME.	PEARL FADELESS WHITE	PEARL FADELESS WHITE (NH-341P)
1	FORCE SILVER ME.	NH-1 BLACK	BLACK (NH-1)
2	NH-1 BLACK	SPORTS RED	SPORTS RED (R-321)

F-27 : STRIPES/MARKS



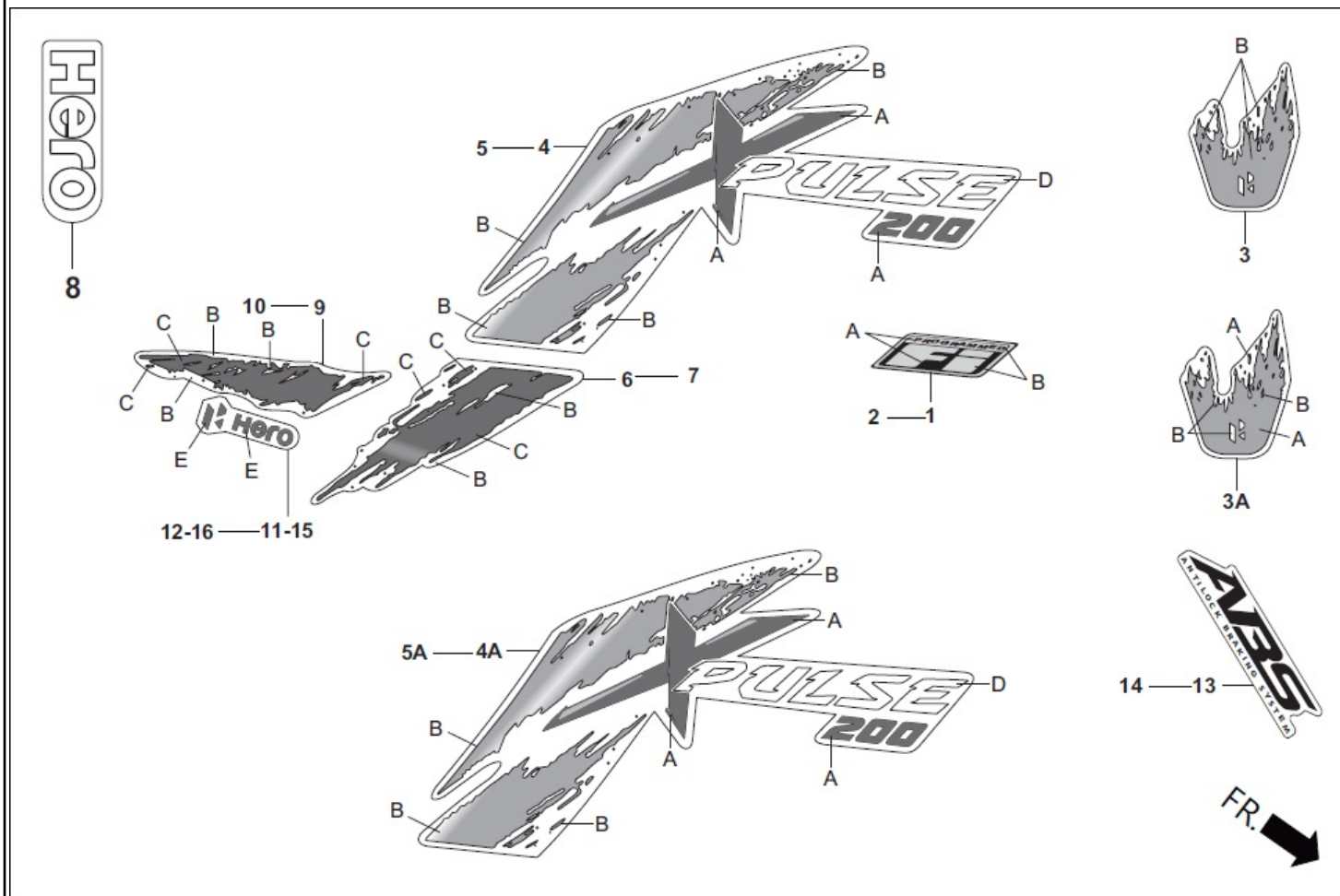
Group Number: F-27 Model :: Xpulse 200FI (May, 2019)

Ref No.	Part Number	Description	Req.
10	86786-ABW-300R	STRIPE B, SIDE COVER A LSIDE (TYPE-1)	1
	86786-ABW-300S	STRIPE B, SIDE COVER A LSIDE (TYPE-2)	1
	86786-ABW-300T	STRIPE B, SIDE COVER A LSIDE (TYPE-3)	1
	86786-ABW-100R	STRIPE B,SIDE COVER A, L SIDE (TYPE-1)	1
	86786-ABW-100S	STRIPE B,SIDE COVER A, L SIDE (TYPE-2)	1

SPECIFIED COLOUR CHART FOR, STRIPE B, SIDE COVER A L SIDE

SPECIFIED COLOUR TYPE	B	C	MAIN BODY COLOUR
1	MATT RAY SILVER	MATT AXIS GREY	MAT AXIS GRAY METALLIC (NH-303M)
2	MATT FORCE SILVER	MATT GREEN	METALLIC MATT GREEN GR(BR)-001M(F)
3	HEAVY GREY ME.	PEARL FADELESS WHITE	PEARL FADELESS WHITE (NH-341P)
1	FORCE SILVER ME.	NH-1 BLACK	BLACK (NH-1)
2	NH-1 BLACK	SPORTS RED	SPORTS RED (R-321)

F-27 : STRIPES/MARKS



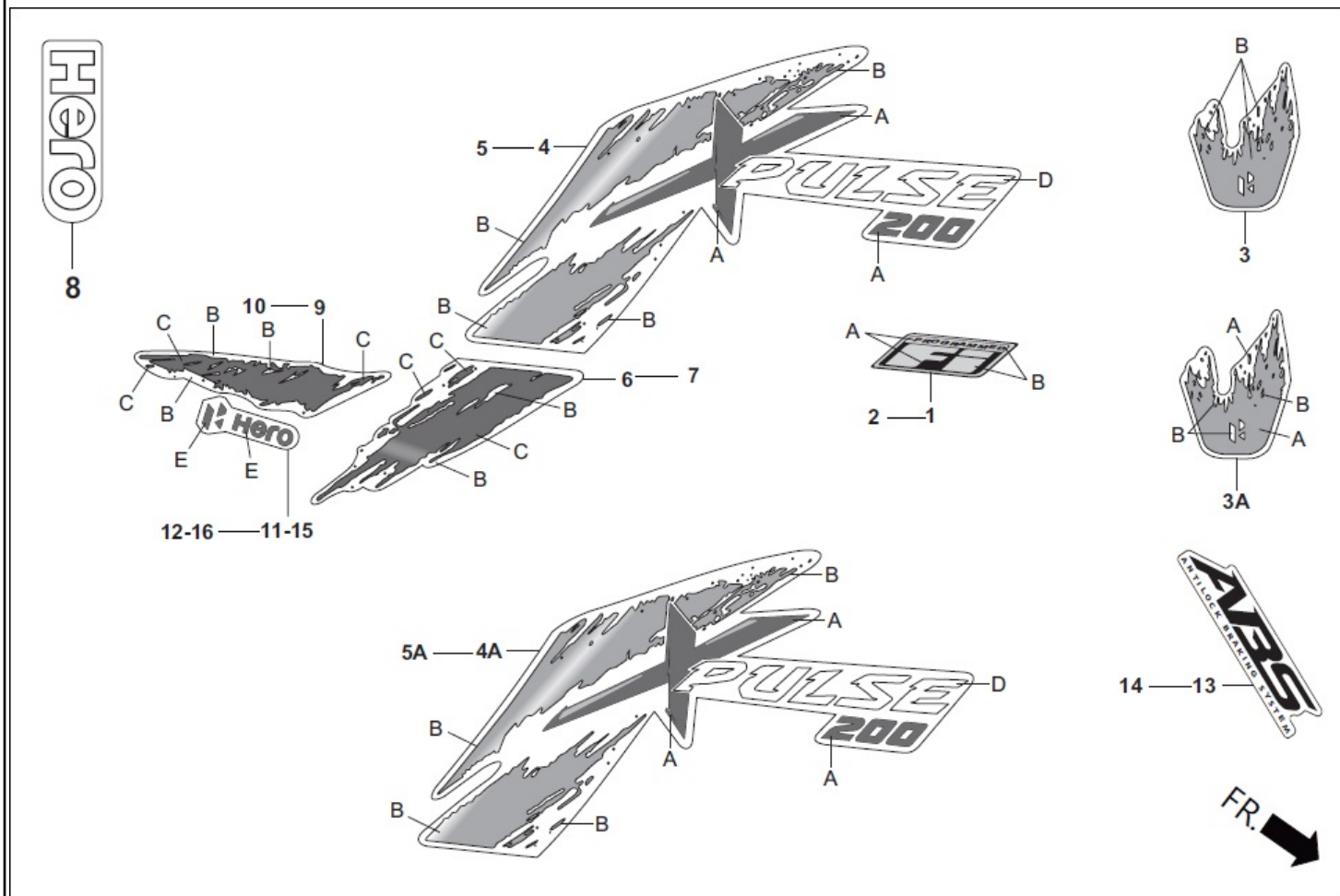
Group Number: F-27 Model :: Xpulse 200FI (May, 2019)

Ref No.	Part Number	Description	Req.
11	86787-ABW-100S	STRIPE C SIDE COVER A, R SIDE (TYPE-2)	1
	86787-ABW-100R	STRIPE C SIDE COVER A, R SIDE (TYPE-1)	1

SPECIFIED COLOUR CHART FOR, STRIPE C, SIDE COVER A R SIDE

SPECIFIED COLOUR TYPE	E	MAIN BODY COLOUR
	-----	MAT AXIS GRAY METALLIC (NH-303M)
	-----	METALLIC MATT GREEN GR(BR)-001M(F)
2	WHITE - 2	PEARL FADELESS WHITE (NH-341P)
1	NH-1 BLACK	BLACK (NH-1)
2	WHITE - 2	SPORTS RED (R-321)

F-27 : STRIPES/MARKS



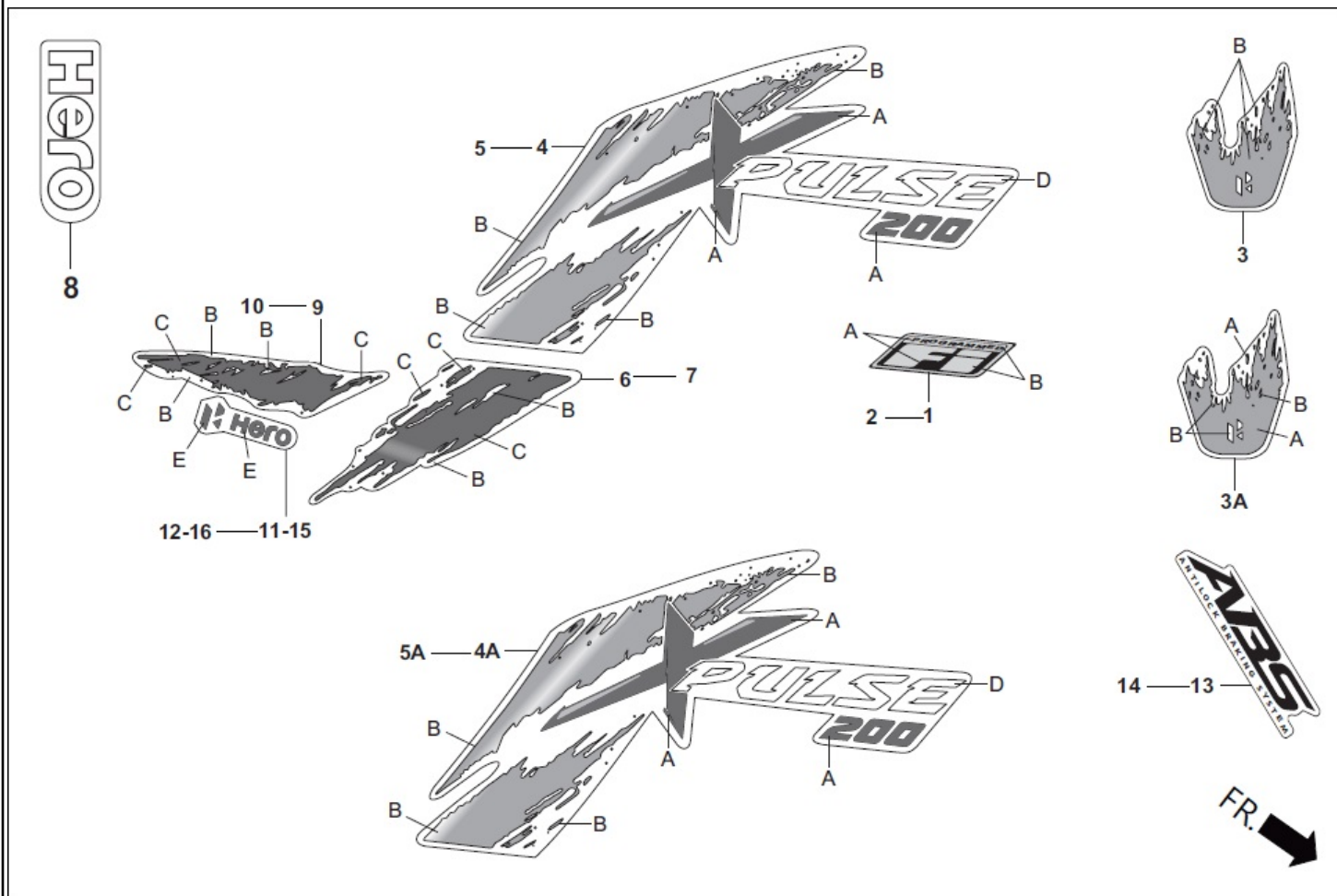
Group Number: F-27 Model :: Xpulse 200FI (May, 2019)

Ref No.	Part Number	Description	Req.
12	86788-ABW-100S	STRIPE C SIDE COVER A, L SIDE (TYPE-2)	1
	86788-ABW-100R	STRIPE C SIDE COVER A, L SIDE (TYPE-1)	1

SPECIFIED COLOUR CHART FOR, STRIPE C, SIDE COVER A R SIDE

SPECIFIED COLOUR TYPE	E	MAIN BODY COLOUR
	-----	MAT AXIS GRAY METALLIC (NH-303M)
	-----	METALLIC MATT GREEN GR(BR)-001M(F)
2	WHITE - 2	PEARL FADELESS WHITE (NH-341P)
1	NH-1 BLACK	BLACK (NH-1)
2	WHITE - 2	SPORTS RED (R-321)

F-27 : STRIPES/MARKS



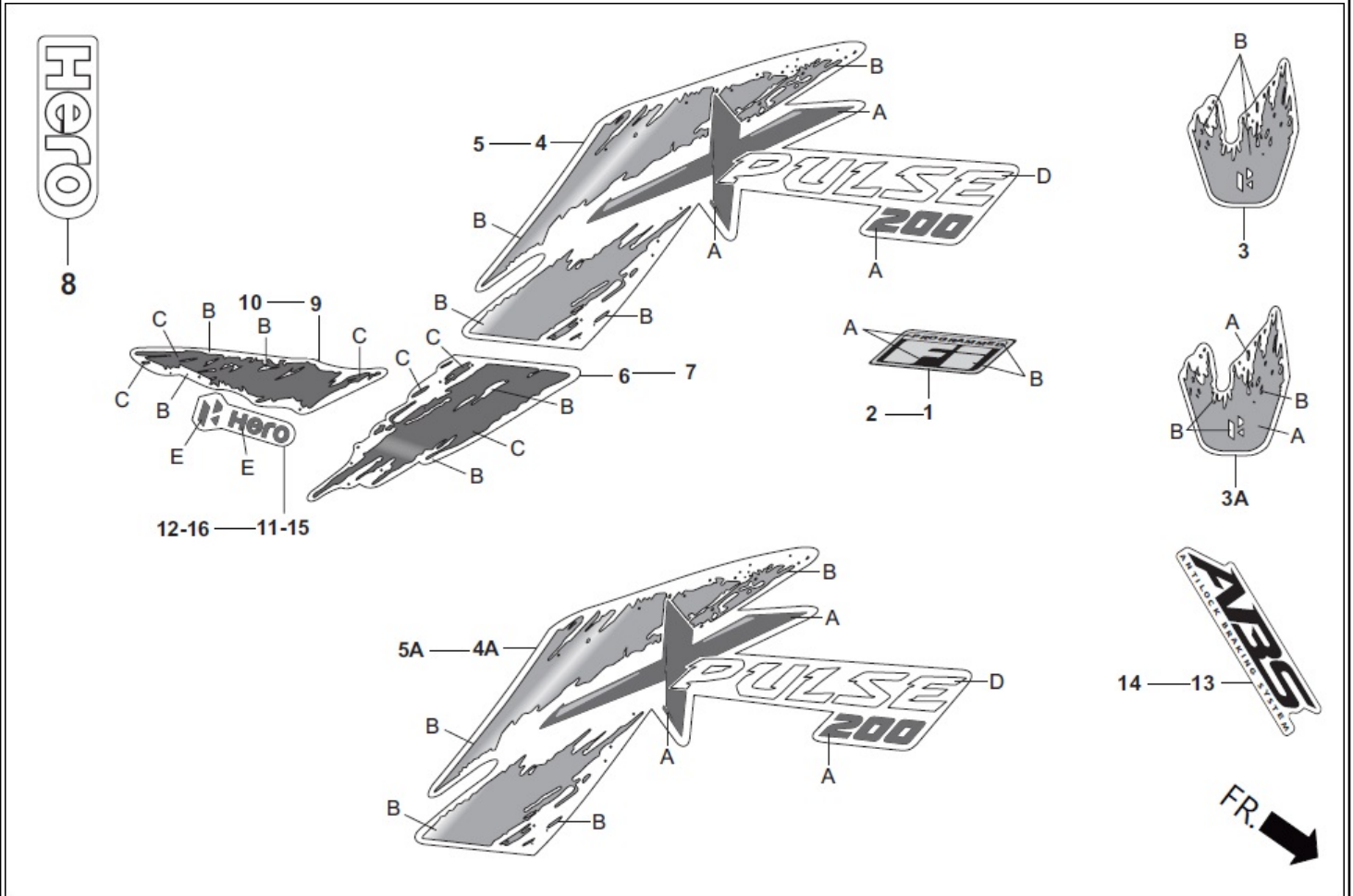
Group Number: F-27 Model :: Xpulse 200FI (May, 2019)

Ref No.	Part Number	Description	Req.
13	86787-ABW-300R	MARK ABS R SIDE (TYPE-1)	1
14	86788-ABW-300R	MARK ABS L SIDE (TYPE-1)	1
15	86797-ABW-300R	STRIPE C SIDE COVER A, R SIDE (TYPE-1)	1

SPECIFIED COLOUR CHART FOR, STRIPE C, SIDE COVER A R SIDE

SPECIFIED COLOUR TYPE	E	FINISH	MAIN BODY COLOUR
1	MATT BLACK	MATT	MAT AXIS GRAY METALLIC (NH-303M)
1	MATT BLACK	MATT	METALLIC MATT GREEN GR(BR)-001M(F)
	-----	-----	PEARL FADELESS WHITE (NH-341P)
	-----	-----	BLACK (NH-1)
	-----	-----	SPORTS RED (R-321)

F-27 : STRIPES/MARKS



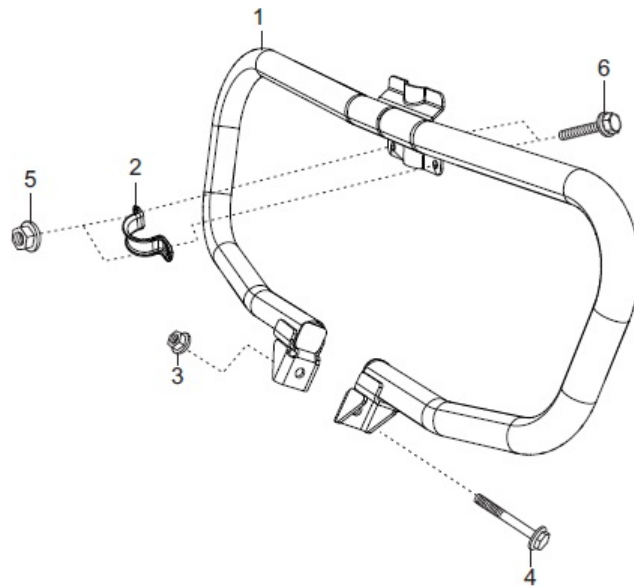
Group Number: F-27 Model :: Xpulse 200FI (May, 2019)

Ref No.	Part Number	Description	Req.
16	86798-ABW-300R	STRIPE C SIDE COVER A, L SIDE (TYPE-1)	1

SPECIFIED COLOUR CHART FOR, STRIPE C, SIDE COVER A L SIDE

SPECIFIED COLOUR TYPE	E	FINISH	MAIN BODY COLOUR
1	MATT BLACK	MATT	MAT AXIS GRAY METALLIC (NH-303M)
1	MATT BLACK	MATT	METALLIC MATT GREEN GR(BR)-001M(F)
	-----	-----	PEARL FADELESS WHITE (NH-341P)
	-----	-----	BLACK (NH-1)
	-----	-----	SPORTS RED (R-321)

F-28 : GUARD FRONT

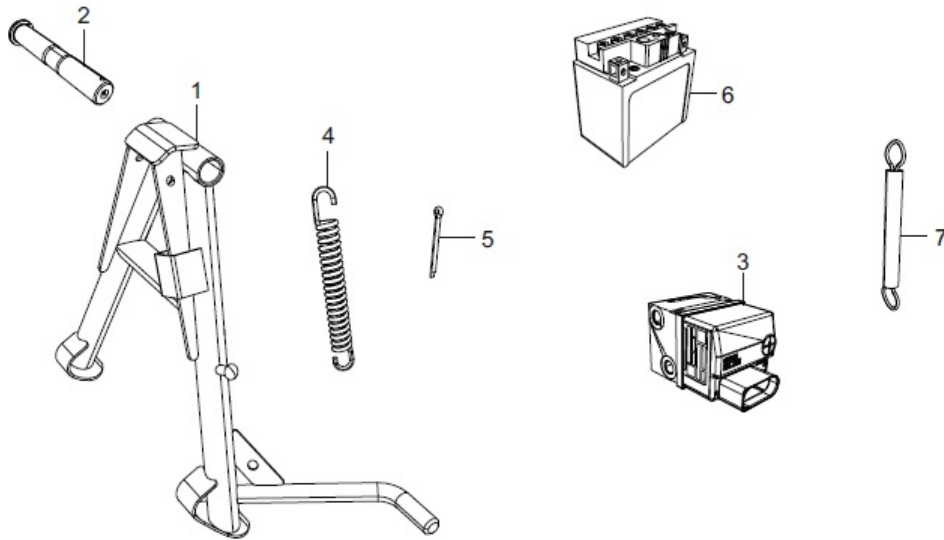


FR.

Group Number: F-28 Model :: Xpulse 200FI (May, 2019)

Ref No.	Part Number	Description	Req.
1	50803-ABW-100	GUARD ENGINE	1
2	50805-ABW-100	U CLAMP, ENGINE GUARD	1
3	94050-08000	NUT, FLANGE, 8MM	1
4	95801-08095-00	BOLT, FLANGE, 8 X 95	1
5	94050-06000	NUT, FLANGE, 6 MM	2
6	95701-06016-07	BOLT, FLANGE, 6 X 16	2

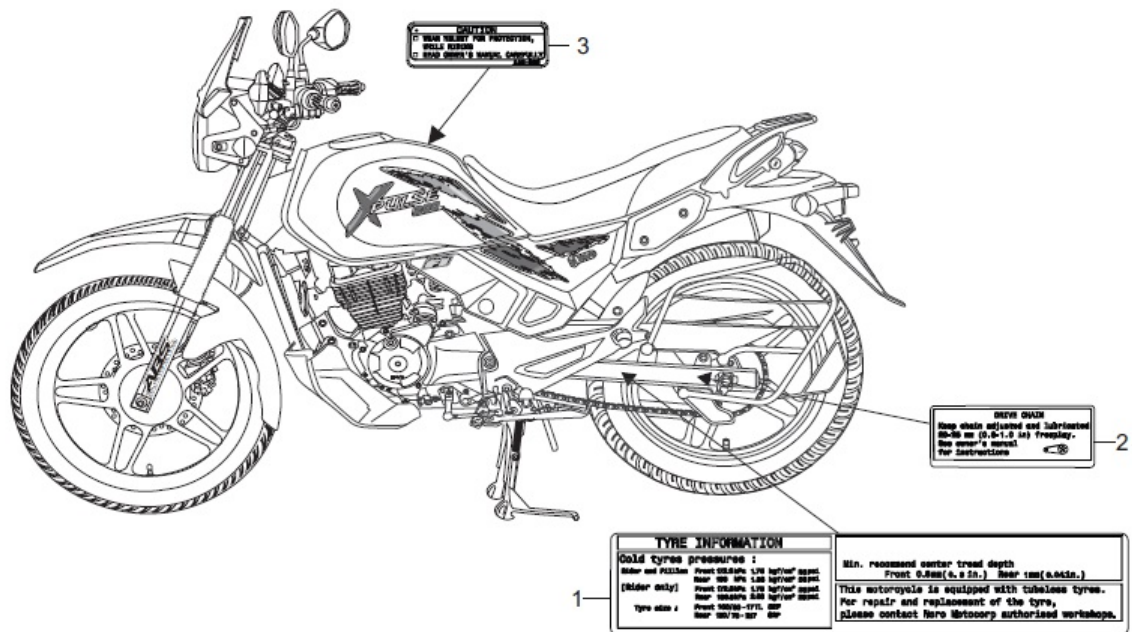
F-29 : (OPTIONAL)



Group Number: F-29 **Model ::** Xpulse 200FI (May, 2019)

Ref No.	Part Number	Description	Req.
1	50500-ABW-100	STAND COMP MAIN	1
2	50526-KCT-690	SHAFT, MAIN STAND PIVOT	1
3	57111-ABW-100	HECU MINI MAB SPD	1
4	95014-71702	SPRING G MAIN STAND	1
5	94201-30300	PIN, SPLIT 3 X 30MM	1
6	31500-KRY-801	BATTERY ASSY MF7	1
7	80103-AAB-A00	WIRE HELMET SET	1

F-30 : CAUTION LABEL



Group Number: F-30 Model :: Xpulse 200FI (May, 2019)

Ref No.	Part Number	Description	Req.
1	87505-ABW-100	LABEL TYRE	1
2	87507-ABW-100	LABEL DRIVE CHAIN	1
3	87560-AAG-C00	MARK CAUTION	1

PARTS INDEX

PART NO	BLOCK	PART NO	BLOCK
1110A-ABF-000	E-3B	14751-ABF-000	E-1C
1120A-ABF-000	E-3B	14771-ABF-000	E-1C
1723A-ABW-000	F-24A	14775-ABF-000	E-1C
1831A-ABW-300	F-14	14781-MA6-000	E-1C
3310B-ABW-201	F-1	15100-ABF-000	E-6
3340B-ABW-001	F-21	15130-KRM-840	E-6
3345B-ABW-001	F-21	15421-KTN-900	E-6
3360B-ABW-001	F-21A	15430-KSP-910	E-6
3365B-ABW-001	F-21A	15436-KRM-840	E-6
3372B-ABW-001	F-20	15441-KCS-650	E-6
5061A-ABW-100	F-15	15446-107-000	E-6
5064A-ABW-100	F-15	15459-AAB-A00	E-6
5072A-ABW-200	F-15	15650-KVN-970	E-6
5073A-ABW-200	F-15	15772-KTN-900	F-13
06435-AAB-A00	F-8A	16060-ABW-200	E-11
06451-GE2-405L	F-4B	16081-AAR-001	E-11
06451-MA7-405	F-8A	16082-AAR-001	E-11
06455-GCR-016L	F-4B	16169-ABW-200	E-11
11108-KTN-900	E-3B	16210-ABW-200	E-11A
11215-KSP-910	E-3B	16217-KRY-970	E-11A
11216-AAB-A00	E-3B	16217-KRY-970	F-13
11217-KRM-840	E-3B	16222-KSP-910	E-11A
11330-AAB-A00	E-3	16222-KSP-910	F-13
11341-ABW-200	E-3A	16400-ABW-200	E-11
11360-ABW-100	E-3A	16424-ABW-200	E-11A
11365-ABW-100	E-3A	16430-ABW-200	E-11
11393-KWK-900	E-3	16432-ABW-200	E-11
11395-KWK-900	E-3A	16433-AAR-001	E-11
12100-ABW-200	E-1B	16460-ABW-200	E-11A
12191-ABF-000	E-1B	16472-AAR-001	E-11A
12195-AAB-A00	E-1A	16700-ABW-201	F-11
12196-AAB-A00	E-1B	17110-ABW-200	E-11A
12200-ABW-200	E-1A	17199-AAC-200	F-11
12209-GB4-685	E-1C	17208-ABW-000	F-13
12210-ABF-000	E-1A	17208-ABW-0000-22	F-13
12212-ABF-000	E-1A	17210-ABW-000	F-13
12214-AAB-A00	E-1A	17214-ABW-000	F-13
12251-ABF-000	E-1A	17216-ABW-000	F-13
12311-ABW-200	E-1	17221-KA4-300	F-14
12391-KRM-840	E-1	17225-ABW-000	F-13
12396-KRM-840	E-1	17230-AAH-100	F-11A
13000-ABF-000	E-7	17253-ABW-200	F-13
13011-ABF-001	E-7	17369-AAM-100	F-13
13101-ABF-000	E-7	17371-ABW-000	F-13
13111-ABF-000	E-7	17410-AAM-001	F-11A
13201-ABF-000	E-7	17410-ABW-000	F-13
13411-AAB-A00	E-7	17411-AAB-500	F-11A
13420-AAB-A00	E-7	17420-AAD-A00	F-11A
13421-ABF-000	E-7	17421-AAB-500	F-11A
13427-AAB-A00	E-7	17430-AAE-100	F-11A
13538-AAB-A00	E-7	17431-AAH-A00	F-11A
14100-ABF-000	E-1C	17520-ABW-300R	F-11
14311-AAB-A00	E-7	17520-ABW-300S	F-11
14321-AAB-A00	E-2	17520-ABW-300T	F-11
14401-AAB-A00	E-2	17520-ABW-B00U	F-11
14430-ABF-000	E-1C	17520-ABW-B00V	F-11
14451-ABF-000	E-1C	17521-ABW-200	F-11
14510-AAB-A00	E-2	17547-ABW-100	F-11
14515-KRM-840	E-2	17554-AAR-101	F-11A
14520-AAB-A0099	E-2	17554-ABW-2000-2	F-11A
14560-KSP-910	E-2	17570-ABW-200	F-11
14610-AAB-A00	E-2	17572-AAB-C00	F-11
14711-ABF-000	E-1C	17611-KRY-970	F-11
14721-ABF-000	E-1C	17613-KCC-900	F-11

PART NO	BLOCK	PART NO	BLOCK
17620-AAK-H01	F-23	24211-KRM-840	E-10
17646-MN8-700	F-11A	24212-KRM-840	E-10
17670-ABW-200	F-11A	24241-KRM-840	E-10
17671-ABW-200	F-11A	24242-KRM-840	E-10
17690-ABW-200	F-11A	24301-KSP-910	E-10
17691-ABW-000	F-11A	24410-KSP-860	E-10
17693-ABW-000	F-11A	24430-KTN-900	E-10
17694-ABW-000	F-11A	24436-KSP-910	E-10
17695-AAM-000	F-11A	24610-KSP-910	E-10
17696-ABW-000	F-11A	24627-KRM-840	E-10
17697-AAM-000	F-11A	24651-KSP-910	E-10
17910-AAB-C00	F-3B	24652-KSP-910	E-10
18291-KRY-930	F-14	24700-ABW-000	F-17
18292-KTP-900	F-14	24701-ABW-000	F-17
18293-KPK-900	F-14	24781-KR3-770	F-17
18310-ABW-300	F-14	28110-KTN-900	E-9
18312-ABW-100	F-14	28120-KTR-A00A	E-9
18313-ABW-100	F-14	28131-KTN-900	E-9
18320-ABW-300	F-14	28132-KN6-930	E-9
18345-MBT-610	F-14	28133-KRM-850	E-9
18357-ABW-100	F-14	28211-AAB-A00	E-9
18371-ABW-100	F-14	28215-KRM-840	E-9
18391-ABW-100	F-14	28221-KTN-900	E-9
18421-ABA-000	F-14	28223-KRM-840	E-9
18442-ABA-000	F-14	28231-AAB-A00	E-9
18651-AAM-100	F-13	28241-AAK-H00	F-17A
19052-AAB-A00	F-4A	28251-KTN-900	E-9
19052-KV0-000	F-12	28261-KRM-840	E-9
19052-KV0-000	F-13	28282-KRM-840	E-9
19509-GE2-003	F-13	28293-333-000	F-17A
22100-KTN-900	E-4	28300-AAK-H00	F-17A
22115-KSP-910	E-4	28311-KC5-000	F-17A
22120-ABF-000	E-4	28333-300-000	F-15
22201-KPM-850	E-4	28333-KK0-000	F-17A
22201-MR8-000	E-4	30510-ABW-201	F-24
22321-KPS-900	E-4	30700-KWA-831	F-24
22355-KRM-840	E-4	31100-ABW-201	E-5
22361-KPK-900	E-4	31110-ABW-201	E-5
22366-KSP-910	E-4	31120-ABW-201	E-5
22401-ABF-000	E-4	31200-KSP-901	E-5A
22810-KRM-B00	E-3	31201-KPT-A01	E-5A
22815-428-000	E-3	31204-KG8-004	E-5A
22821-KRM-840	E-3	31205-KTC-921	E-5A
22870-ABW-100	F-3	31206-KPH-881	E-5A
22871-KTN-700	F-3	31207-MBE-008	E-5A
23121-KVE-860	E-8	31300-AAT-001	F-20
23210-KVN-900	E-8	31301-AAW-001	F-20
23220-AAB-A00	E-8	31500-KRY-801	F-24A
23421-KVN-900	E-8	31500-KRY-801	F-29
23427-KRM-840	E-8	31600-ABW-201	F-24
23427-KRM-840	E-9	31916-KRM-84099	E-1A
23431-AAB-A00	E-8	32100-ABW-200	F-24
23432-KRM-840	E-8	32111-KSP-910	E-5
23441-AAB-A00	E-8	32161-404-000	F-3B
23451-AAB-A00	E-8	32401-ABW-000	F-23
23461-AAB-A00	E-8	32406-ABW-000	F-24
23471-AAB-A00	E-8	32410-ABW-000	F-24
23472-KSP-910	E-8	32411-253-000	F-24
23481-AAB-A00	E-8	32413-KRY-970	F-24
23491-AAB-A00	E-8	32417-KTR-A10	F-24
23492-KSP-910	E-8	32601-AAB-A00	F-24
23501-AAB-A00	E-8	32602-ABW-000	F-24
23801-KRY-970	E-8	33301-KVE-900	F-20
23811-KR3-600	E-8	33401-AAR-001	F-21

PART NO	BLOCK	PART NO	BLOCK
33401-AAR-001	F-21A	38117-KFE-701	F-25A
33402-AAS-001	F-21	38520-ABW-100	F-7
33402-AAS-001	F-21A	38521-ABW-100	F-4A
33405-AAN-40099	F-21	38551-AAW-501	F-23
33408-AAR-001	F-21	38770-ABW-301	F-24
33408-AAR-001	F-21A	38771-ABH-000	F-24
33451-AAR-001	F-21	40510-ABW-100	F-18A
33451-AAR-001	F-21A	40530-ABW-101	F-16
33452-AAS-001	F-21	40531-ABW-901	F-16
33452-AAS-001	F-21A	40543-ABW-100	F-16
33455-AAN-40099	F-21	40546-ABW-300	F-16
33491-ABW-001	F-21	40550-AAB-A00	F-18A
33491-ABW-001	F-21A	41201-ABW-100	F-9
33496-ABW-001	F-21	41241-KSP-900	F-9
33496-ABW-001	F-21A	42301-AAB-A00	F-9
33605-AAN-40099	F-21A	42303-AAB-A00	F-9
33619-459-840A	F-14	42311-AAB-A00	F-9
33655-AAN-40099	F-21A	42601-ABW-100	F-9
33700-ABW-001	F-22	42603-ABW-100	F-9
33714-KL3-620	F-25A	42611-KRY-930	F-9
33721-ABW-001	F-20	42620-KTR-700	F-7
33722-AAG-00099	F-20	42620-AAR-000	F-9
33723-AAG-00099	F-20	42650-ABW-100	F-9
33729-MCZ-003	F-20	42701-ABW-100	F-9
33741-AAS-001	F-6A	42711-ABW-103	F-9
33743-AAR-001	F-20	42712-ABW-103	F-9
34930-AAC-700	F-21	42713-ABW-100	F-9
34930-AAC-700	F-21	43107-MA7-006	F-8A
34930-AAC-700	F-21A	43114-KW6-842L	F-4B
34930-AAC-700	F-21A	43114-KRY-971	F-8A
34930-AAC-700	F-21A	43115-ABW-100	F-8A
35010-ABW-001	F-23	43150-ABW-100	F-8A
35100-AAK-201	F-23	43155-KRY-970	F-8
35106-KTC-900	F-6	43190-ABW-100	F-8A
35113-ABW-000	F-23	43215-KGH-901	F-8A
35114-ABW-000	F-23	43251-ABZ-010	F-9
35121-ABW-001	F-23	43301-AAB-A00	F-4A
35122-ABW-001	F-23	43310-ABW-100	F-8
35130-AAB-000	F-18	43352-568-003L	F-4B
35140-ABW-201	F-23	43353-461-771L	F-4B
35150-AAB-A01	F-3B	43353-461-771L	F-8A
35160-ABH-001	F-24	43504-MB2-006	F-8
35200-ABW-001	F-3B	43510-ABW-000	F-8
35330-413-003	F-3B	43511-ABW-100	F-8
35340-MA5-670L	F-4A	43512-ABW-100	F-8
35350-KVE-930A	F-23	43514-KS6-701	F-8
35357-KVN-970	F-8	43520-MJ6-315	F-8
35751-KPH-900	E-5A	43530-MV9-006	F-8
35752-KRM-840	E-5A	44301-AAB-A00	F-7
35759-AAB-000	E-5A	44601-ABW-100	F-7
35850-KR3-870	F-23	44603-ABW-100	F-7
35856-KBG-007	F-23	44650-ABW-100	F-7
36532-AAN-E01	E-5A	44701-ABW-100	F-7
37100-ABW-301	F-2	44711-ABW-103	F-7
37101-ABW-001	F-2	44712-ABW-103	F-7
37202-ABW-001	F-2	44713-ABW-100	F-7
37203-ABW-001	F-2	44802-AAB-A00	F-7
37210-ABW-301	F-2	45107-MN5-006L	F-4B
37610-ABW-001	F-2	45108-ML4-006L	F-4B
37611-ABW-201	F-2	45109-GE2-006L	F-4B
37612-ABW-001	F-2	45111-MAJ-G41	F-8A
37750-ABH-001	E-5A	45126-ABW-100	F-4A
38110-KVE-861	F-25A	45128-ABW-000	F-4A
		45131-GE2-006L	F-4B

PART NO	BLOCK	PART NO	BLOCK
45131-GZ0-006L	F-4B	50638-ABW-000	F-15
45131-GE2-006L	F-8A	50639-ABW-000	F-15
45131-GZ0-006L	F-8A	50644-AAS-000	F-15
45132-166-016L	F-4B	50647-ABW-100	F-15
45132-166-016L	F-8A	50648-ABW-100	F-15
45133-MA3-006L	F-4B	50660-ABW-100	F-15
45133-MA3-006L	F-8A	50661-AAS-000	F-15
45154-ABW-000	F-4A	50662-ABW-100	F-15A
45156-ABW-100	F-4A	50670-ABW-100	F-15
45157-ABW-100	F-4A	50700-ABW-100	F-15
45201-GT4-691L	F-4B	50701-ABW-100	F-15
45203-MG3-016L	F-4B	50702-ABW-100	F-15
45203-MCC-006	F-8A	50718-AAS-000	F-15
45209-GE2-006L	F-4B	50720-ABW-200	F-15
45210-KR3-871L	F-4B	50730-ABW-200	F-15
45215-KA3-732L	F-4B	50803-ABW-100	F-28
45216-KW6-901L	F-4B	50805-ABW-100	F-28
45216-166-006L	F-4B	51103-AAB-A00	F-18A
45250-KRY-901	F-4B	51400-ABW-301	F-6A
45251-ABZ-010	F-7	51401-ABW-101	F-6A
45252-AAB-A00	F-7	51403-ABW-001	F-6A
45290-KGB-611L	F-4B	51410-ABW-101	F-6A
45504-410-003L	F-4A	51412-ABW-101	F-6A
45510-KRY-972	F-4A	51413-ABW-101	F-6A
45512-MA6-006	F-4A	51419-AAB-A02	F-6A
45513-HA2-006L	F-4A	51420-ABW-301	F-6A
45513-ABW-100	F-8	51423-AAB-A02	F-6A
45517-166-000	F-3B	51432-ABW-001	F-6A
45517-166-000	F-4A	51437-ABW-001	F-6A
45520-GE2-006	F-4A	51440-ABW-101	F-6A
45520-ABW-100	F-8	51500-ABW-301	F-6A
45521-K21-901	F-4A	51520-ABW-301	F-6A
45521-ABW-100	F-8	51601-ABW-000	F-6B
45530-471-831L	F-4A	51602-ABW-100	F-6B
46182-MEL-D21	F-8	51606-ABW-100	F-6B
46500-ABW-000	F-15A	51615-ABW-101	F-6A
46504-KV6-702	F-8	51617-ABW-101	F-6B
46514-ABW-000	F-15A	52101-ABW-000	F-18A
46518-ABW-000	F-15A	52110-ABW-300	F-18A
46600-ABW-000	F-15A	52143-KVE-900	F-18A
50100-ABW-100	F-25	52170-ABW-100	F-18A
50112-ABW-000	F-25	52400-ABW-101	F-19
50137-AAR-000	F-25	53100-ABW-300	F-3B
50151-AAB-A00	F-11A	53105-KRC-900	F-3B
50190-ABW-000	F-20	53131-AAB-A00	F-3B
50207-ABW-100	F-4A	53140-KVE-860	F-3B
50296-ABW-000	F-15	53166-KVE-860	F-3B
50301-KTR-900	F-6	53172-KRC-900	F-3B
50327-ABW-000	F-24A	53174-116-670	F-4A
50328-ABW-000	F-25	53175-KFN-850L	F-4A
50337-ABW-200	F-25	53178-KFN-850	F-3B
50351-ABW-000	F-25	53181-ABW-100X	F-3B
50354-428-000	F-10	53181-ABW-100Z	F-3B
50354-ABW-000	F-10	53182-KFN-850	F-3
50400-ABW-100	F-25B	53182-ABW-100X	F-3B
50450-ABW-100	F-25B	53182-ABW-100Z	F-3B
50500-ABW-100	F-29	53184-AAM-410	F-3B
50505-KTN-700	F-25	53200-ABW-000	F-6
50524-001-000	F-10	53211-268-010	F-6
50526-KCT-690	F-29	53212-200-000	F-6
50530-ABW-100	F-18	53214-200-000	F-6
50600-ABW-100	F-15	53215-KTR-900	F-6
50617-AAS-000	F-15	53220-KRY-970	F-6
50619-AAS-000	F-15	53222-KTR-900	F-6

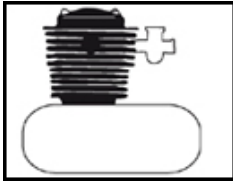
PART NO	BLOCK	PART NO	BLOCK
53230-ABW-200	F-6	86776-ABW-300R	F-27
57111-ABW-100	F-4A	86776-ABW-300T	F-27
57111-ABW-100	F-29	86776-ABW-100R	F-27
61000-ABW-300R	F-5	86776-ABW-100S	F-27
61000-ABW-300S	F-5	86781-ABW-300R	F-27
61000-ABW-300T	F-5	86781-ABW-300S	F-27
61000-ABW-100R	F-5	86781-ABW-300T	F-27
61000-ABW-100S	F-5	86781-ABW-100R	F-27
61100-ABW-100	F-5	86781-ABW-100S	F-27
61102-ABW-100	F-5	86782-ABW-300R	F-27
61107-KK6-000	F-24A	86782-ABW-300S	F-27
61312-ABW-000	F-1A	86782-ABW-300T	F-27
61313-ABW-100	F-1A	86782-ABW-100R	F-27
61314-ABW-100	F-1A	86782-ABW-100S	F-27
64140-ABW-100	F-1A	86783-ABW-300R	F-27
64141-ABW-000	F-1A	86783-ABW-300S	F-27
64142-ABW-000	F-1A	86783-ABW-300T	F-27
64300-ABW-300	F-25	86783-ABW-100R	F-27
64306-ABW-300	F-25	86783-ABW-100S	F-27
64315-ABW-100	F-1A	86784-ABW-300R	F-27
75582-KCW-870	F-12	86784-ABW-300S	F-27
77156-ABW-000	F-10	86784-ABW-300T	F-27
77200-ABW-300	F-10	86784-ABW-100R	F-27
77204-AAR-000	F-10	86784-ABW-100S	F-27
77209-KAG-900	F-1A	86785-ABW-000R	F-27
77210-ABW-000	F-25B	86785-ABW-300R	F-27
77220-KY6-000	F-10	86785-ABW-300S	F-27
77220-ABW-000	F-25B	86785-ABW-300T	F-27
77230-ABW-000	F-12	86785-ABW-100R	F-27
77239-AAL-H00	F-23	86785-ABW-100S	F-27
77240-ABW-000	F-12	86786-ABW-300R	F-27
77244-ABW-000	F-10	86786-ABW-300S	F-27
77267-KTR-900	F-11	86786-ABW-300T	F-27
80100-ABW-100	F-20	86786-ABW-100R	F-27
80103-AAB-A00	F-29	86786-ABW-100S	F-27
80110-ABW-100	F-20	86787-ABW-100S	F-27
80123-KCC-870	F-10	86787-ABW-100R	F-27
80123-KCC-870	F-20	86787-ABW-300R	F-27
80203-KVE-900	F-20	86788-ABW-100S	F-27
81300-ABW-100	F-25B	86788-ABW-100R	F-27
81301-ABW-000	F-25B	86788-ABW-300R	F-27
81302-ABW-000	F-25B	86797-ABW-300R	F-27
83402-ABW-000	F-1A	86798-ABW-300R	F-27
83403-ABW-0000-20	F-24A	87505-ABW-100	F-30
83403-AAB-A000-21	F-24A	87507-ABW-100	F-30
83403-ABW-0000-21	F-24A	87560-AAG-C00	F-30
83500-ABW-300R	F-12	88100-ABW-100R	F-22
83500-ABW-300S	F-12	88110-AAB-100R	F-3A
83500-ABW-300T	F-12	88114-198-D10	F-3A
83500-ABW-100R	F-12	88120-AAB-100R	F-3A
83500-ABW-100S	F-12	89102-538-000	F-26
83545-AAB-A00	F-4A	89102-AAC-000	F-26
83545-KCJ-690	F-12	89103-538-000	F-26
83545-KCJ-690	F-13	89215-AAC-000	F-26
83551-300-000	F-11	89216-AAD-H00	F-26
83600-ABW-300R	F-12	90002-KRM-840	E-1A
83600-ABW-300S	F-12	90002-ABA-000	F-24
83600-ABW-300T	F-12	90003-KFG-000	E-1
83600-ABW-100R	F-12	90003-KVS-900	E-10
83600-ABW-100S	F-12	90003-MY5-720	F-3A
83700-ABW-300R	F-12	90006-MEE-000	E-11A
83800-ABW-300R	F-12	90006-MEE-000	F-13
85402-ABW-200R	F-27	90008-KRM-840	E-4
85403-ABW-200R	F-27	90012-KK3-830	E-1C

PART NO	BLOCK	PART NO	BLOCK
90013-AAS-000	F-15	90306-KST-942	F-7
90019-399-010	F-25	90306-KVT-941	F-24A
90022-MG8-000	E-10	90311-MT3-000	F-13
90031-KSP-910	E-3B	90311-MT3-000	F-20
90040-KSP-910	E-1A	90311-AAA-000	F-20
90042-AAB-A00	F-4A	90311-MT3-000	F-24A
90071-MB0-000	E-5A	90313-172-000	F-20
90074-KVE-900	F-11	90320-GC3-000	F-20
90083-KRM-840	E-2	90324-KCC-900	F-11
90084-KVE-930	E-3A	90380-AAR-001	F-21
90084-041-000	E-8	90380-AAR-001	F-21A
90085-KTC-920	E-5	90401-KRM-840	E-4
90085-KTC-920	E-9	90402-AAB-A00	E-7
90087-KVE-900	E-3A	90403-AAB-A00	E-7
90101-GE0-000	F-12	90417-KRM-840	E-10
90101-GE0-000	F-20	90432-KPT-A00	E-6
90101-GE0-000	F-22	90441-KRM-840	E-3B
90101-GE0-000	F-25B	90443-MB0-000	E-5A
90102-KVN-900	F-3B	90451-KRM-840	E-9
90103-MCS-G00	F-8	90452-KRM-840	E-8
90105-KL8-741	F-7	90452-GB4-770	E-8
90105-KL8-741	F-9	90452-GB4-770	E-9
90105-KVE-860	F-12	90453-KRM-840	E-8
90107-ABW-300	F-14	90454-107-000	E-8
90107-AAB-000	F-18	90455-KSP-910	E-9
90109-SB6-000	F-1A	90456-KRM-840	E-8
90109-SB6-0001	F-13	90457-KRM-840	E-10
90110-KVE-900	F-23	90463-KRM-840	E-1
90111-KW3-000	F-1A	90501-KPT-A00	E-4
90111-187-000	F-5	90501-KPT-A00	E-5
90111-187-000	F-18A	90501-KCC-870	F-3B
90111-187-000	F-20	90501-ABW-000	F-18A
90111-187-000	F-22	90502-KVE-900	F-5
90111-MR5-000	F-23	90503-KTR-900	F-6
90111-MR5-000	F-24	90504-964-000	F-1A
90111-187-000	F-24A	90504-KWA-940	F-1A
90113-438-000	F-3B	90505-KRM-860	F-17A
90113-AAM-410	F-3B	90522-AAB-000	F-18A
90114-AAM-400	F-3B	90525-030-000	F-5
90114-166-000L	F-4A	90534-MV4-000	F-11
90116-AAB-A02	F-6A	90543-MV9-670	E-1
90122-KVT-941	F-24A	90544-AAB-A02	F-6A
90123-AAB-A02	F-6A	90545-300-000	F-4A
90131-AAB-A00	E-3B	90545-300-000	F-8
90145-MS9-610	F-4A	90556-044-000	F-18A
90145-MS9-610	F-8	90560-KVE-900	F-9
90151-ABW-000	F-19	90601-AAB-A00	E-8
90154-AAB-A00	F-19	90601-AAB-A02	F-6A
90155-ABW-000	F-7	90601-KAF-003	F-13
90201-KRM-840	E-5	90601-KAF-003	F-23
90201-MW3-620	F-3A	90602-KRM-840	E-8
90202-KRM-840	E-4	90604-AAB-A00	E-7
90206-250-000	E-1C	90605-200-000	E-8
90231-KM7-700	E-6	90651-MA5-671L	F-4A
90302-KBP-900	F-16	90652-AAW-300	F-4A
90304-KSP-900	F-6	90701-KFN-850	E-3
90304-KCS-920	F-9	90704-KRM-840	E-1A
90304-KFN-850	F-18	90741-KGH-900	E-7
90304-KCS-920	F-18	90741-KFB-000	E-7
90304-KST-942	F-19	90755-229-000	F-7
90305-KVN-900	F-9	91001-GF6-000	E-3B
90305-ABW-300	F-14	91001-KTN-900	E-3B
90305-KVN-900	F-18A	91002-KSP-911	E-7
90306-ABF-000	E-1A	91003-KSP-910	E-3B

PART NO	BLOCK	PART NO	BLOCK
91004-KTN-900	E-3B	94050-06000	F-11A
91008-AAB-A01	E-1C	94050-05000	F-20
91010-ABF-001	E-3B	94050-08000	F-21
91022-KTN-900	E-9	94050-08000	F-21A
91071-KVN-900	F-18A	94050-06000	F-24A
91101-ABF-000	E-7	94050-08000	F-25
91102-ABF-000	E-7	94050-10000	F-25
91103-ABF-000	E-7	94050-08000	F-25B
91202-KSP-911	E-3	94050-08000	F-28
91203-KSP-910	E-3B	94050-06000	F-28
91204-MC7-003	E-3B	94101-05000	F-13
91212-422-006	F-8	94102-10000	F-3B
91216-KSP-910	E-3B	94102-08000	F-15
91253-KSP-901	F-9	94102-08000	F-17A
91254-AAB-A02	F-6A	94103-06700	F-2
91254-KS6-003	F-18A	94109-12000	E-3B
91255-AAB-A02	F-6A	94111-03800	F-23
91257-230-003	F-9	94201-20150	F-8
91301-AAR-001	E-11A	94201-20150	F-15
91303-KRM-840	E-3A	94201-30300	F-29
91304-ABW-200	E-11A	94251-08000	E-6
91305-KRM-840	E-3A	94301-08140	E-1
91305-KPH-900	E-5A	94301-10120	E-1A
91306-MG3-000	E-2	94301-10120	E-1B
91307-KRM-840	E-6	94301-08140	E-3
91309-425-003	E-5A	94301-08140	E-3A
91320-MB0-000	E-5A	94301-08140	E-3B
91352-KSP-900	F-9	94301-08140	E-6
91356-AAB-A02	F-6A	94305-20102	F-8
91406-KFN-850	F-13	94510-16000	E-9
91410-ABW-000	F-1A	94510-14000	E-10
91455-MG8-000	F-3B	94601-15000	E-7
91509-GE2-760	F-1A	95002-02080	F-11A
91540-AAN-410	F-24	95002-02130	F-11A
92915-10025-0E	F-9	95002-70000	F-11A
93404-06016-07	F-5	95002-40800-08	F-11A
93500-05010-1A	F-1A	95014-72102	F-18
93600-05016-0G	E-1A	95014-71702	F-29
93600-06040-0G	E-6	95015-54000	F-8
93600-04012-1GL	F-4A	95018-AAB-C00	F-13
93700-05012-0A	E-6	95701-06016-00	E-1A
93891-05008-00	F-4A	95701-06014-00	E-1A
93892-AAR-001	E-11	95701-06006-00	E-2
93892-05020-07	F-3B	95701-06016-00	E-2
93892-05025-07	F-3B	95701-06016-00	E-3B
93892-05045-07	F-3B	95701-06040-00	E-3B
93893-04012-17L	F-4A	95701-06045-00	E-3B
93901-AAR-001	F-21	95701-06070-00	E-3B
93901-AAR-001	F-21A	95701-06014-00	E-3B
93903-22480	F-2	95701-06022-00	E-5A
93903-34210	F-12	95701-06020-00	E-5A
93903-34380	F-20	95701-06016-00	E-9
94001-06000-0S	F-1A	95701-05018-00	E-11A
94001-06070-0S	F-2	95701-06025-00	E-11A
94001-06000-0S	F-16	95701-06012-07	F-4A
94002-08000-0S	F-3	95701-06018-00	F-4A
94002-10070-0S	F-3B	95701-06020-07	F-4B
94002-06000-0S	F-3B	95701-06022-00	F-5
94002-08000-0S	F-8	95701-06022-00	F-8
94030-08000	F-3	95701-06012-00	F-8
94050-12000	E-7	95701-06012-00	F-10
94050-06000	F-3B	95701-08035-00	F-11
94050-06000	F-4A	95701-06012-07	F-13
94050-06000	F-11	95701-06020-00	F-13

PART NO	BLOCK	PART NO	BLOCK
95701-06018-00	F-13	96700-06032-10	E-5
95701-08040-07	F-14	97252-ABW-100	F-9
95701-08032-00	F-14	97278-ABW-100	F-7
95701-08035-07	F-14	97550-ABW-100	F-7
95701-06022-00	F-15	97660-ABW-100	F-9
95701-08014-00	F-15	98200-32000	F-23
95701-08018-07	F-15	98210-HMC-000	F-24
95701-06020-07	F-17	98215-HMC-000	F-24
95701-08040-07	F-18A	99006-AAB-A00	F-26
95701-06012-07	F-18A	99007-AAB-A00	F-26
95701-05010-00	F-18A		
95701-06014-00	F-20		
95701-06012-00	F-20		
95701-05016-00	F-23		
95701-06018-00	F-24		
95701-06018-00	F-24A		
95701-06014-00	F-25		
95701-06012-07	F-25		
95701-08014-00	F-25		
95701-08018-07	F-25		
95701-06020-07	F-25A		
95701-06016-00	F-25B		
95701-08025-00	F-25B		
95701-06014-00	F-25B		
95701-06016-07	F-28		
95801-06105-00	E-1A		
95801-10040-07	F-6		
95801-10050-00	F-6		
95801-10065-00	F-15		
95801-08038-07	F-17A		
95801-08085-00	F-25		
95801-08095-00	F-28		
96001-06012-00	E-1		
96001-06022-00	E-2		
96001-06030-00	E-3		
96001-06040-00	E-3		
96001-06030-00	E-3A		
96001-06035-00	E-3A		
96001-06045-00	E-3A		
96001-06018-00	E-3B		
96001-06014-00	F-1		
96001-06010-00	F-1A		
96001-06010-00	F-1A		
96001-06016-00	F-1A		
96001-06020-00	F-1A		
96001-06022-07	F-3B		
96001-06022-07	F-4A		
96001-06012-00	F-12		
96001-06012-02	F-14		
96001-06030-00	F-15		
96001-06018-07	F-20		
96001-06016-00	F-24		
96001-06020-00	F-24		
96100-62030-00	E-3B		
96100-63010-00	E-3B		
96100-60030-00	E-4		
96140-63010-10	F-7		
96140-63020-10	F-9		
96150-60050-10	F-9		
96211-08000	F-15		
96211-08000	F-17A		
96220-30085	E-10		
96600-05012-18	F-7		
96600-08025-00	F-23		

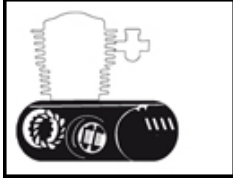
BLOCK INDEX - GROUP Engine - Xpulse 200FI (May, 2019).



E-1
E-1A
E-1B
E-1C
E-2
E-3A
E-3B

CYLN. & CYLN HEAD (CYLINDER HEAD COVER)
CYLN. & CYLN HEAD (CYLINDER HEAD)
CYLN. & CYLN HEAD (CYLINDER)
CYLN. & CYLN HEAD (CAM SHAFT / VALVE)
CAM SHAFT (CAM CHAIN TENSIONER)
CRANK CASE & COVER (RIGHT CRANK CASE COVER)
CRANK CASE & COVER (LEFT CRANK CASE COVER)
CRANK CASE & COVER (CRANK CASE)

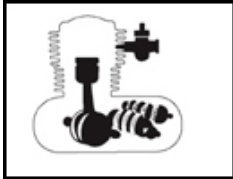
82
2
3
4
5
6
7
8



E-4
E-5
E-5A
E-6
E-7
E-8

CLUTCH
ELECTRICALS (AC GEN ASSY)
ELECTRICALS (STARTER MOTOR)
OIL PUMP ASSY.
CRANK SHAFT (CRANK SHAFT / PISTON)
TRANSMISSION

10
11
12
13
14
15
















































E-9
E-10
E-11
E-11A

KICK STARTER (SPINDLE KICK STARTER)
GEAR SHIFT (DRUM GEAR SHIFT)
THROTTLE BODY ASSY
(INSULATOR ASSY/INLET PIPE)

17
18
19
20

BLOCK INDEX - GROUP Frame - Xpulse 200FI (May, 2019).

	F-1	HEAD LIGHT	21
	F-1A	FAIRING (FR. VISOR/COWL/STAY)	22
	F-2	SPEEDOMETER / CABLE	23
	F-3	HANDLE LEVER / SWITCH/ CABLES	24
	F-3A	MIRROR ASSY.	25
	F-3B	HANDLE & HNDL COVER (HANDLE LEVER/SWITCH/CABLES)	26
	F-4A	FRONT BRAKE (MASTER CYLINDER) (ABS)	28
	F-4B	FRONT BRAKE (CALIPER ASSY 'R' FR.)	30
	F-5	FRONT FENDER	31
	F-6	FRONT CUSHION (STEERING STEM)	32
	F-6A	FRONT CUSHION	33
	F-6B	FRONT CUSHION (COVER)	34
	F-7	FRONT WHEEL	35
	F-8	REAR BRAKE(MASTER CYL.)	36
	F-8A	REAR BRAKE (CALIPER ASSY. REAR)	38
	F-9	RR WHEEL / FLANGE ASSY. DRIVEN	39
	F-10	SEAT ASSY.	41
	F-11	FUEL TANK / FUEL UNIT	42
	F-11A	FUEL TANK (CANISTER ASSY.)	43
	F-12	SIDE COVER	45
	F-13	AIR CLEANER	46
	F-14	MUFFLER	48
	F-15	STEP PILLION / HOLDER / BRKT.	49
	F-15A	STEP PILLION / HOLDER / BRKT. (PEDAL BRAKE)	51
	F-16	CHAIN DRIVE / ADJUSTER CHAIN	52
	F-17	PEDAL	53
	F-17A	KICK STARTER	54
	F-18	CHAIN CASE & STAND	55
	F-18A	SWINGARM / GUARD SAREE / CHAIN CASE	56
	F-19	CUSHION REAR	57
	F-20	REAR FENDER	58
	F-21	FRONT WINKER	60
	F-21A	REAR WINKER	61
	F-22	TAIL LIGHT	62
	F-23	SWITCH ASSY./ RELAY / LOCK ASSY./ KEY BLANK	63
	F-24	ELECTRICALS (WIRE HARNESS/START CABLES)	64
	F-24A	BATTERY ASSY.	65
	F-25	FRAME BODY	66
	F-25A	HORN ASSY.	67
	F-25B	GRIP REAR	68
	F-26	TOOLS	69
	F-27	STRIPES/MARKS	70
	F-28	GUARD FRONT	86
	F-29	(OPTIONAL)	87
	F-30	CAUTION LABEL	88