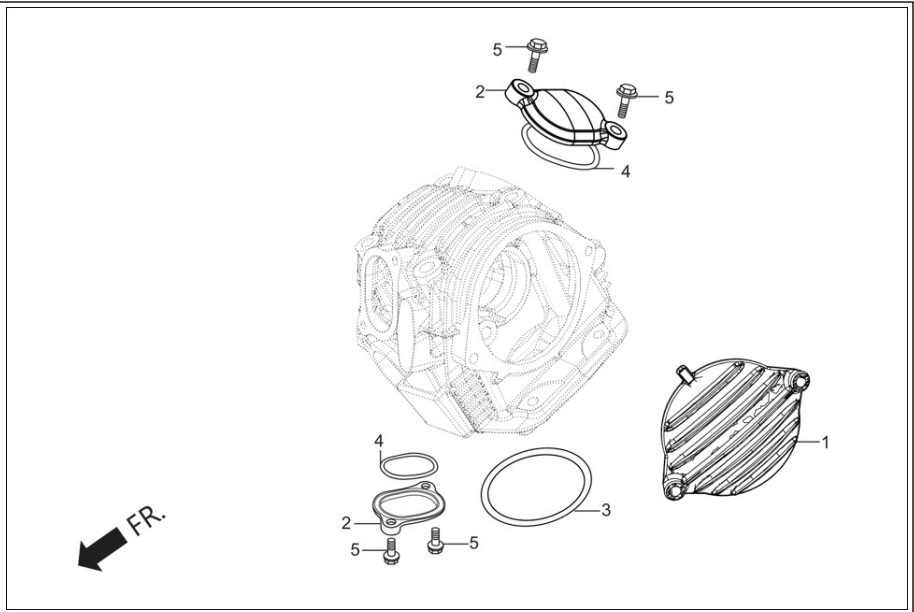


PARTS CATALOGUE

Ignitor 125 i3S EURO III (JUL, 2020)

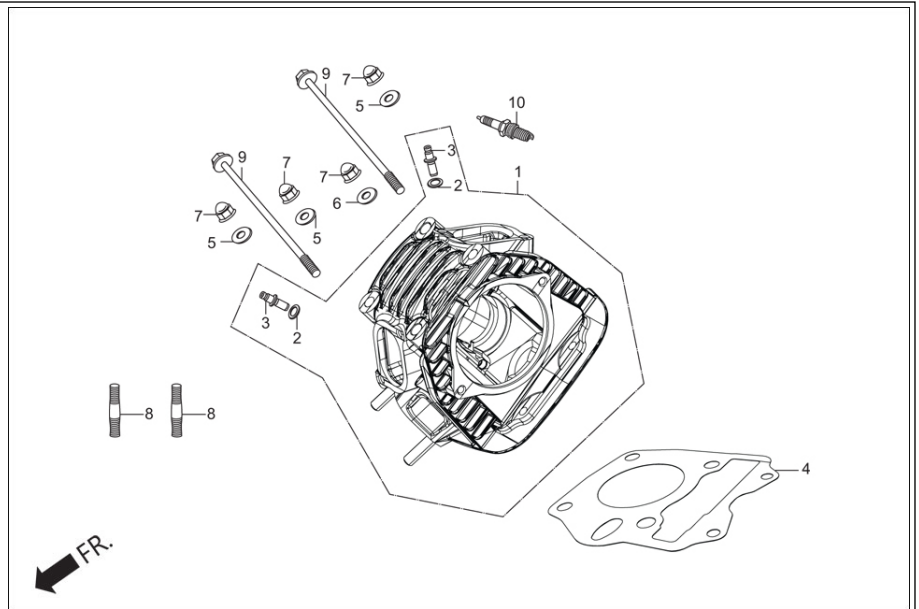
E-1
CYLINDER /COVER CYLINDER HEAD



Service Item	F.R.T.
*HEAD COMP. CYLINDER	1.6
*GASKET, CYLINDER HEAD	--
*COVER, 'L' CYLINDER HEAD SIDE	0.2
*SPARK PLUG	0.1
* INSULATOR, CARBURETTOR	0.2
*PIPE COMP. INLET	0.3

Group Number: E-1 Model :: Ignitor 125 i3S EURO III (JUL, 2020)				
Ref No.	Part Number	Description	Req.	
1	12341-AAN-410	COVER L CYLINDER HEAD SIDE	1	
2	12361-KTR-A00	COVER, TAPPET ADJUSTING HOLE.	2	
3	91301-AAN-410	O-RING 72X2.1	1	
4	91372-KPH-900	O-RING , TAPPET ADJUSTING	2	
5	96001-06020-00	BOLT, FLANGE, SH. 6 X 20	4	

E-1A
CYLINDER /CYLINDER HEAD/SPARK,
PLUG

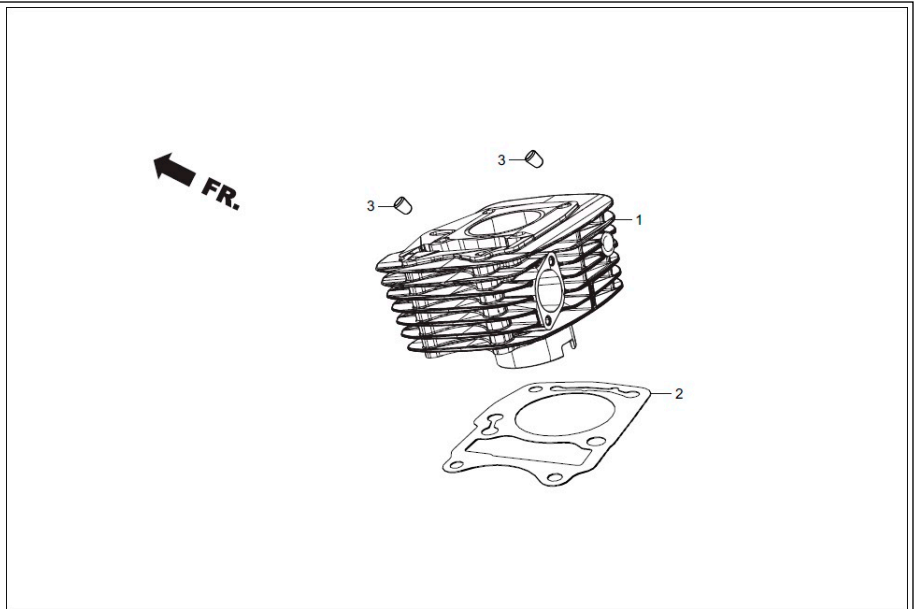


Service Item	F.R.T.
*HEAD COMP. CYLINDER	1.6
*GASKET, CYLINDER HEAD	--
*COVER, 'L' CYLINDER HEAD SIDE	0.2
*SPARK PLUG	0.1
* INSULATOR, CARBURETTOR	0.2
*PIPE COMP. INLET	0.3

Group Number: E-1A Model :: Ignitor 125 i3S EURO III (JUL, 2020)

Ref No.	Part Number	Description	Req.
1	12200-AAN-500	HEAD COMP. CYLINDER	1
2	91305-028-150	O- RING, 9 X1.6	2
3	12237-AAT-305	GUIDE VALVE O/S	2
4	12251-AAN-410	GASKET, CYLINDER HEAD	1
5	90441-286-000	WASHER, SEALING, 8 MM	3
6	90441-ME9-000	WASHER, SEALING, 8 MM	1
7	90443-107-000	NUT, CAP, 8 MM	4
8	92900-08028-0E	BOLT, STUD, II 8 X 28	2
9	96001-06095-00	BOLT, FLANGE, SH. 6 X 95	2
10	31916-KPH-90099	SPARK PLUG	1

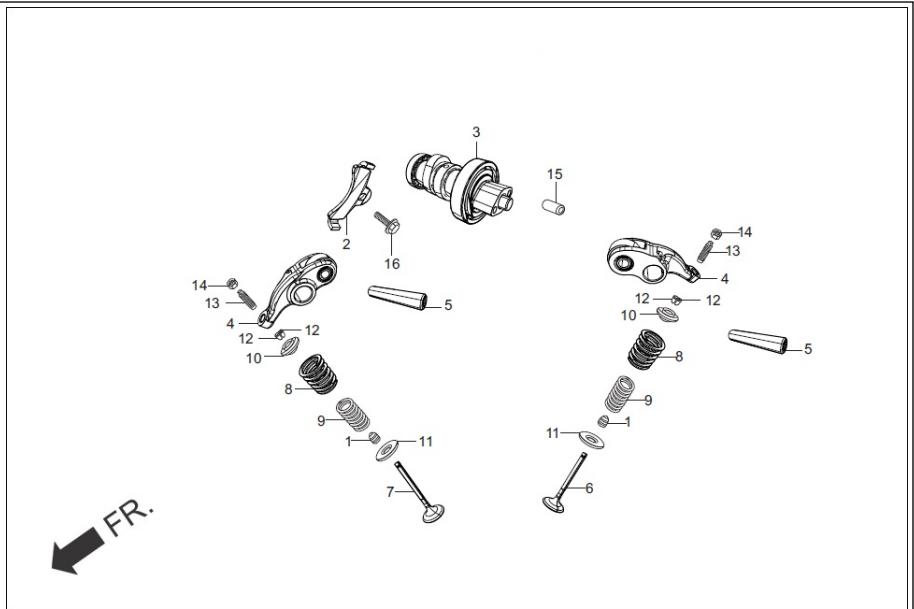
E-1B
CYLINDER / CYLINDER HEAD



Service Item	F.R.T.
*CYLINDER	1.2
*GASKET, CYLINDER.	1.1

Group Number: E-1B Model :: Ignitor 125 i3S EURO III (JUL, 2020)				
Ref No.	Part Number	Description	Req.	
1	12100-AAN-410	CYLINDER COMP.	1	
2	12191-AAN-410	GASKET CYLINDER	1	
3	94301-10120	DOWEL PIN, 10X12	2	

E-1C
CYLINDER /CYLINDER HEAD/CAM
SHAFT/VALVE

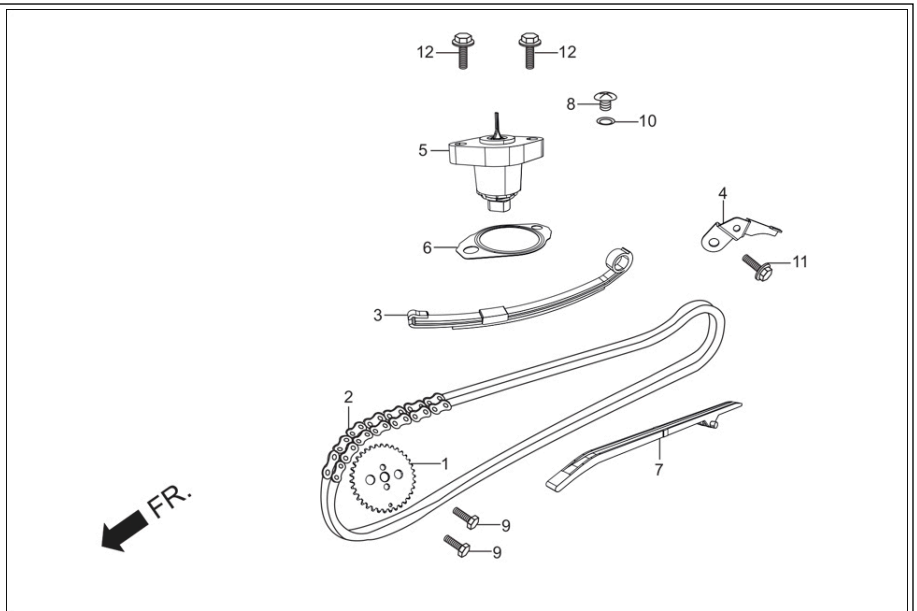


Service Item	F.R.T.
*SHAFT COMP., CAM	0.7
*ARM, VALVE ROCKER (ONE OR ALL)	1.1
*VALVE (ADD FOR EACH) (INC. REFACING) (EXC. VALVE GUIDE REPLACEMENT)	1.4
*SPRING, VALVE	--

Group Number: E-1C Model :: Ignitor 125 i3S EURO III (JUL, 2020)

Ref No.	Part Number	Description	Req.
1	12209-AAN-410	SEAL VALVE STEM	2
2	12211-AAN-410	PLATE STOPPER	1
3	14100-AAN-410	SHAFT COMP., CAM	1
4	14430-AAT-000	ARM COMP, VALVE ROCKER	2
5	14451-AAN-410	SHAFT ROCKER ARM	2
6	14711-AAT-00099	VALVE INLET	1
7	14721-AAT-00099	VALVE EXHAUST	1
8	14751-AAN-410	SPRING VALVE OUTER	2
9	14761-AAT-000	SPRING, VALVE INNER	2
10	14771-AAT-000	RETAINER, VALVE SPRING	2
11	14775-MA6-000	SEAT, VALVE SPRING OUTER	2
12	14781-MA6-000	COTTER, VALVE	4
13	90012-333-000R	SCREW, TAPPET ADJUSTING	2
14	90206-001-000	NUT, TAPPET ADJUSTING	2
15	90702-GB6-910	PIN, DOWEL,8 X 12	1
16	95701-06012-00	BOLT, FLANGE, 6X12	1

E-2 CAM CHAIN TENSIONER

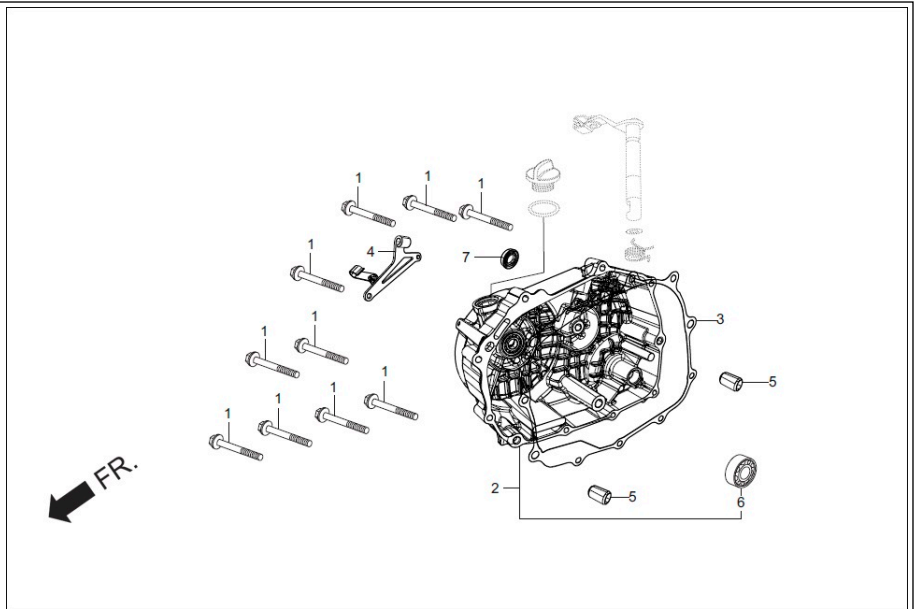


Service Item	F.R.T.
*SPROCKET, CAM(34T)	0.7
*CHAIN, CAM	1.6
*TENSIONER ASSY. CAM CHAIN	1.7
* LIFTER ASSY. TENSIONER	0.4
*GASKET TENSIONER LIFTER	--
*GUIDE CAM CHAIN	2.8

Group Number: E-2 Model :: Ignitor 125 i3S EURO III (JUL, 2020)

Ref No.	Part Number	Description	Req.
1	14321-AAG-100	SPROCKET, CAM (34T)	1
	14321-AAG-400	SPROCKET CAM	1
2	14401-KTC-900	CHAIN, CAM	1
3	14510-KTC-901	TENSION ASSY. CAM CHAIN	1
4	14515-KTC-901	PLATE TENSIONER SET	1
5	14520-AAN-410	LIFTER ASSY TENSIONER	1
6	14560-KSP-910	GASKET, TENSIONER LIFTER	1
7	14610-KPH-900	GUIDE , CAM CHAIN	1
8	90005-KY7-000	SCREW, PAN, 6X6	1
9	90083-KVH-900	BOLT, KNOCK, 5 MM	2
10	91306-MG3-000	O- RING, 1.5X9.5	1
11	96001-06014-00	BOLT, FLANGE, SH. 6 X 14	1
12	96001-06022-00	BOLT, FLANGE, SH. 6 X 22	2

E-3
RIGHT CRANK CASE COVER

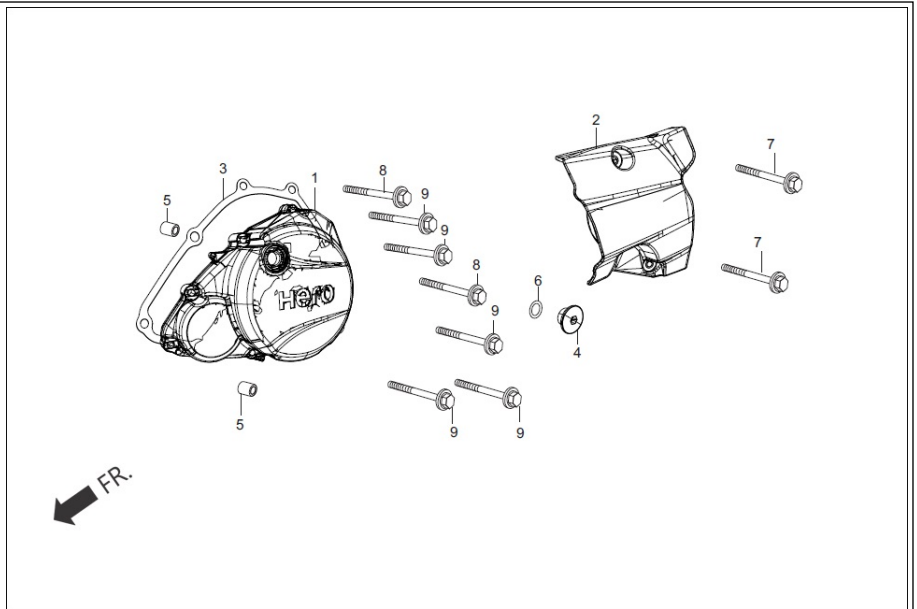


Service Item	F.R.T.
*COVER COMP., 'R' CRANK CASE	0.8
*GASKET, 'R' CRANK CASE COVER.	0.6
* LEVER COMP., CLUTCH (INC. RELATIVE PART)	--
*OIL SEAL 16X28X7	--

Group Number: E-3 Model :: Ignitor 125 i3S EURO III (JUL, 2020)

Ref No.	Part Number	Description	Req.
1	96001-06040-00	BOLT, FLANGE, SH. 6 X 40	10
2	11330-AAN-410	COVER COMP.R CRANK CASE	1
3	11394-AAN-410	GSKT , R CRANK CASE COVER	1
4	22821-AAN-410	RECEIVER CLUTCH CABLE	1
5	90702-GB6-910	PIN, DOWEL,8 X 12	2
6	91007-KPH-901	BRG., BALL RADIAL 6001 U SPL	1
7	91204-MC7-003	OIL SEAL, 16 X 28 X 7	1

E-3A
LEFT CRANK CASE COVER

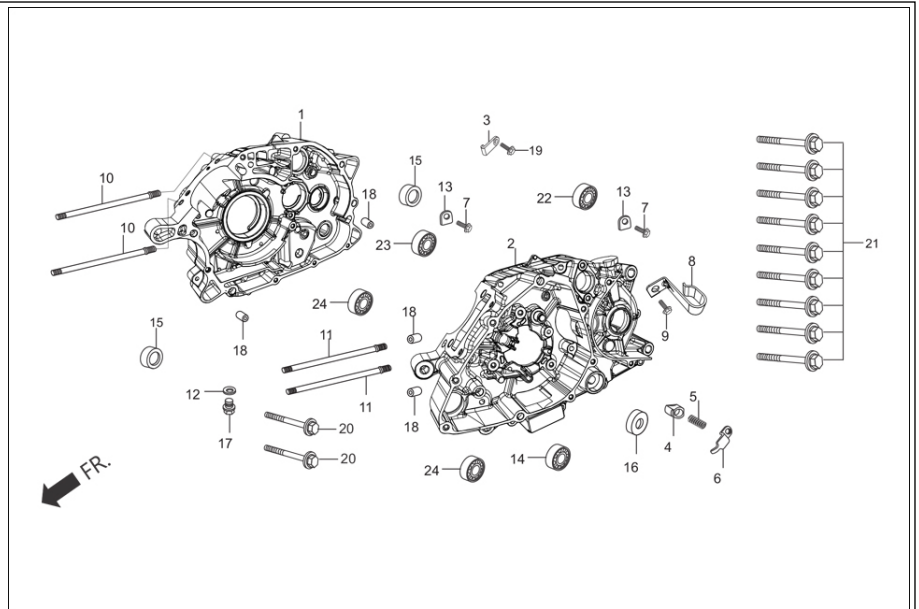


Service Item	F.R.T.
*COVER LEFT CRANK CASE	0.9
*COVER COMP. L REAR	0.1
*GASKET L CRANK CASE COVER	0.6

Group Number: E-3A Model :: Ignitor 125 i3S EURO III (JUL, 2020)

Ref No.	Part Number	Description	Req.
1	11341-AAN-410	COVER LEFT CRANK CASE	1
2	11360-AAN-410	COVER COMP, L REAR	1
3	11395-AAN-410	GSKT L CRANK CASE COVER	1
4	90084-KTC-A20	CAP, 14 MM	1
5	90702-GB6-910	PIN, DOWEL, 8 X 12	2
6	91303-377-000	O-RING, 13.8 X 2.5	1
7	96001-06025-00	BOLT, FLANGE, SH. 6 X 25	2
8	96001-06028-00	BOLT, FLANGE, SH. 6X28	2
9	96001-06035-00	BOLT, FLANGE, SH. 6 X 35	6

E-3B CRANK CASE

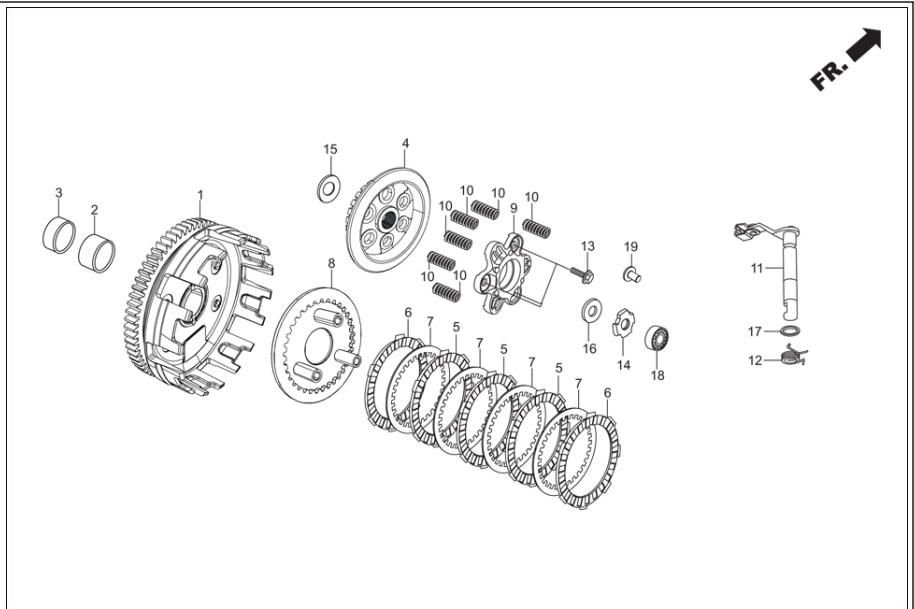


Service Item	F.R.T.
*CRANK CASE COMP., 'R'	*4.2
*CRANK CASE COMP., 'L'	*4.8
*BOLT, CYLINDER STUD	1.3
(ADD FOR EACH)	--

Group Number: E-3B Model :: Ignitor 125 i3S EURO III (JUL, 2020)

Ref No.	Part Number	Description	Req.
1	11100-AAN-410	CRANK CASE COMP.RIGHT	1
2	11200-AAN-410	CRANK CASE COMP. LEFT	1
3	11208-KTC-900	PLATE, BEARING SET	1
4	11215-KTC-901	PLUG, BRG. PUSH	1
5	11216-KTC-901	SPRING, BRG. PUSH	1
6	11217-KTC-901	PLATE, BRG. PUSH	1
7	15441-KTC-900A	BOLT, FLANGE 6 X 14 (PRE COATING)	2
8	22822-AAN-410	BRACKET HARNESS MTG.	1
9	90001-KTC-900	BOLT, FLANGE, SH. 6 X 16	1
10	90031-KTC-900	BOLT STUD, CYL	2
11	90033-KTC-900	BOLT STUD, CYL	2
12	90407-259-000	DRAIN COCK PACKING	1
13	90441-KRM-840	PLATE, BRG. HOLD	2
14	91001-KTC-900	BRG. ROLLER, 22 X 58 X 17	1
15	91204-KPH-901	OIL SEAL, 17 X 30 X 5	2
16	91208-KPH-901	OIL SEAL, 11.6 X 24 X 10	1
17	92800-12000-00	DRAIN PLUG BOLT	1
18	94301-10120	DOWEL PIN, 10X12	4
19	95701-06016-00	BOLT, FLANGE, 6X16	3
20	96001-06055-00	BOLT FLANGE SH 6X55	2
21	96001-06060-00	BOLT, FLANGE, SH. 6 X 60	9
22	96100-60010-00	BEARING , RADIAL BALL , 6001	1
23	96100-62010-00	BEARING, RADIAL BALL, 6201	1
24	96100-62030-00	BEARING, RADIAL BALL, 6203	1

E-4 CLUTCH

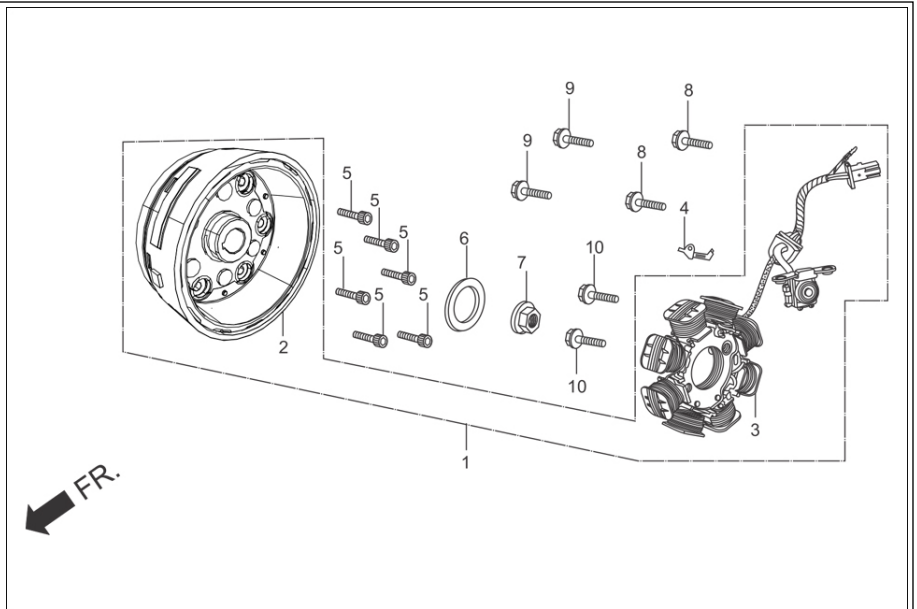


Service Item	F.R.T.
*ROTOR, OIL FILTER	0.9
*COVER, OIL FILTER	0.7
*OUTER COMP., CLUTCH	1.2
*CENTER COMP. CLUTCH	--
*DISK B CLUTCH FRICTION (ONE OR ALL)	--
(INC. RELATIVE PART)	--
*PLATE, CLUTCH PRESSURE.	--
*PLATE, CLUTCH LIFTER	--
*SPRING CLUTCH (ONE OR ALL)	--

Group Number: E-4 Model :: Ignitor 125 i3S EURO III (JUL, 2020)

Ref No.	Part Number	Description	Req.
1	22100-AAG-501	OUTER COMP CLUTCH	1
2	22115-KPG-T00	GUIDE, CLUTCH OUTER	1
3	22116-KPG-T00	COLLAR, CLUTCH OUTER	1
4	22121-AAG-501	CENTER CLUTCH	1
5	22201-AAG-501	DISK A CLUTCH FRICTION	3
6	22205-AAG-501	DISK B CLUTCH FRICTION	2
7	22321-AAG-501	PLATE, CLUTCH	4
8	22350-AAG-501	PLATE CLUTCH PRESSURE	1
9	22361-AAG-501	PLATE CLUTCH LIFTER	1
10	22401-AAG-501	SPRING CLUTCH	6
11	22810-KTC-900	LEVER COMP., CLUTCH	1
12	22815-166-000	SPRING, CLUTCH LEVER	1
13	90050-KFL-850	SPECIAL BOLT FLANGE 6 X 25	3
14	90231-KM7-700	NUT, LOCK, 14 MM	1
15	90403-AAG-501	WASHER THRUST	1
16	90501-GBL-730	WASHER ,14 MM	1
17	91303-719-000	O-RING,9 MM	1
18	96100-62000-00	BRG.BALL RADIAL	1
19	22847-KCC-900	ROD, CLUTCH LIFTER	1

E-5
A.C.GEN. ASSY. /STARTING CLUTCH
(ELEC.)

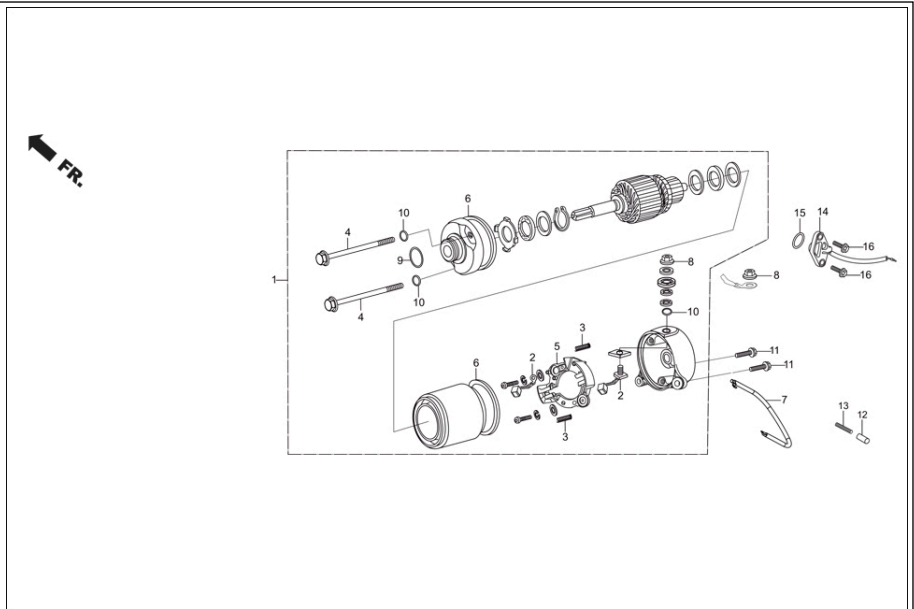


Service Item	F.R.T.
*GEAR COMP. STARTER DRIVEN	--
*OUTER COMP.STARTING CLUTCH.	0.7
* A.C.GEN.ASSY.,	0.9
*FLYWHEEL, COMP.,	--
*STATOR, COMP.,	--

Group Number: E-5 Model :: Ignitor 125 i3S EURO III (JUL, 2020)

Ref No.	Part Number	Description	Req.
1	31100-AAN-411	AC GEN ASSY	1
2	31110-AAN-411	FLYWHEEL COMP	1
3	31120-AAN-411	STATOR COMP	1
4	32961-KPH-900	CLAMPER, ACG CORD	1
5	90085-KTC-920	BOLT, SOCKET, 6 X 14	6
6	90439-SB2-010	WASHER, 24 X 12 X 2.3	1
7	94050-12000	NUT, FLANGE, 12 MM	1
8	96001-06016-00	BOLT, FLANGE SH. 6 X 16	2
9	96001-06020-00	BOLT, FLANGE, SH. 6 X 20	2
10	96001-06025-00	BOLT, FLANGE, SH. 6 X 25	2

E-5A
STARTER MOTOR (ELEC.)

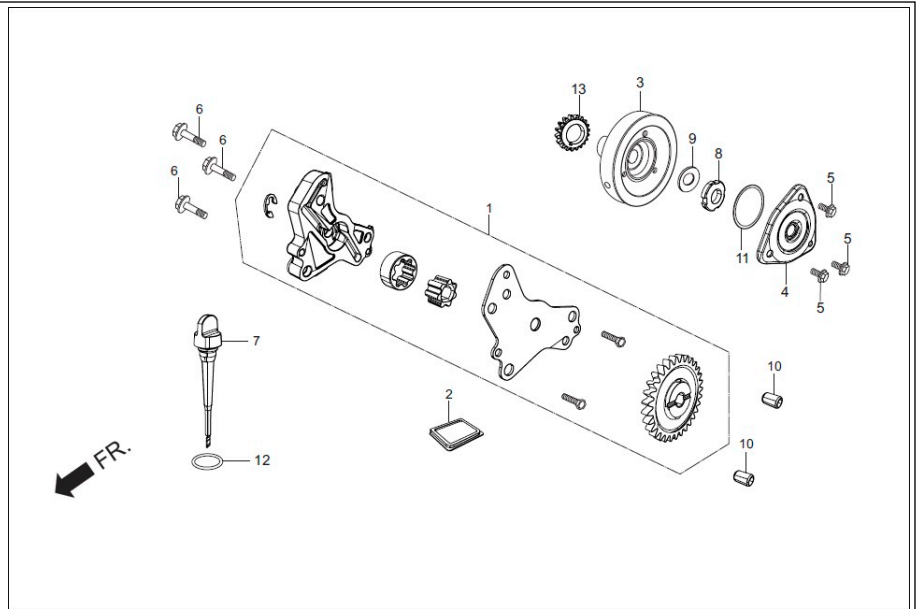


Service Item	F.R.T.
*MOTOR ASSY. STARTER	0.7
*BRUSH, TERMINAL SET	0.9

Group Number: E-5A Model :: Ignitor 125 i3S EURO III (JUL, 2020)

Ref No.	Part Number	Description	Req.
1	31200-KTC-921	MOTOR ASSY., STARTER	1
2	31201-KPT-A01	BRUSH, TERMINAL SET	1
3	31204-KG8-004	BRUSH, SPRING	2
4	31205-KTC-921	BOLT, SET	2
5	31206-KPH-881	BRUSH, HOLDER SET	1
6	31207-MBE-008	RING	2
7	32601-AAN-410	CABLE BATTERY EARTH	1
8	90071-MB0-000	NUT, WASHER, 6 MM	2
9	91309-425-003	O RING 24.4X3.1	1
10	91320-MB0-000	O RING	3
11	95701-06025-00	BOLT, FLANGE, 6X 25	2
12	35751-KPH-900	CAP, CONTACT CHANGE SW.	1
13	35752-KRM-840	SPRING, CONN. CHANGE SW.	1
14	35759-KTR-A01	CONTACT ASSY., CHANGE SWITCH	1
15	91305-KPH-900	O-RING,19.4 X 2.3	1
16	95701-06016-00	BOLT, FLANGE, 6X16	2

E-6
OIL PUMP ASSY.

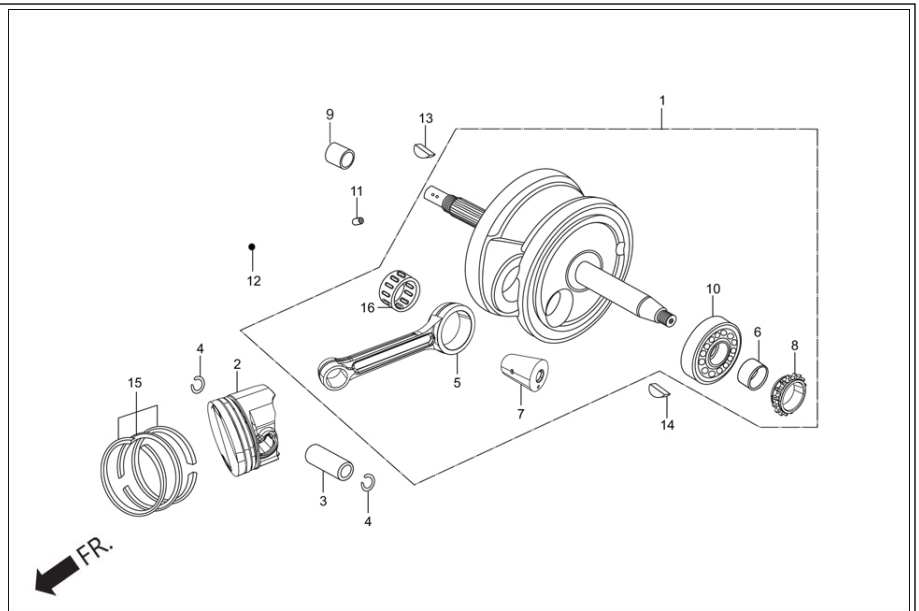


Service Item	F.R.T.
*PUMP ASSY., OIL	--
*SCREEN, OIL FILTER	--

Group Number: E-6 Model :: Ignitor 125 i3S EURO III (JUL, 2020)

Ref No.	Part Number	Description	Req.
1	15100-AAN-410	OIL PUMP ASSY	1
2	15421-035-010	SCREEN, OIL FILTER	1
3	15431-KTC-901	ROTOR, OIL FILTER	1
4	15441-KTC-900	COVER, OIL FILTER	1
5	15441-KTC-900A	BOLT, FLANGE 6 X 14 (PRE COATING)	3
6	95701-06035-00	BOLT, FLANGE, 6X35	3
7	15650-AAN-410	GAUGE, OIL LEVEL	1
8	90231-087-010	NUT, LOCK, 14 MM	1
9	90432-086-000	WASHER `B LOCK	1
10	90702-GB6-910	PIN, DOWEL,8 X 12	2
11	91301-KTC-900	O-RING 49.5 X 1.7	1
12	91307-035-000	O-RING,18 X 3	1
13	15341-KTC-900	GEAR, OIL PUMP DRIVE, (19T)	1

E-7 CRANK SHAFT/PISTON

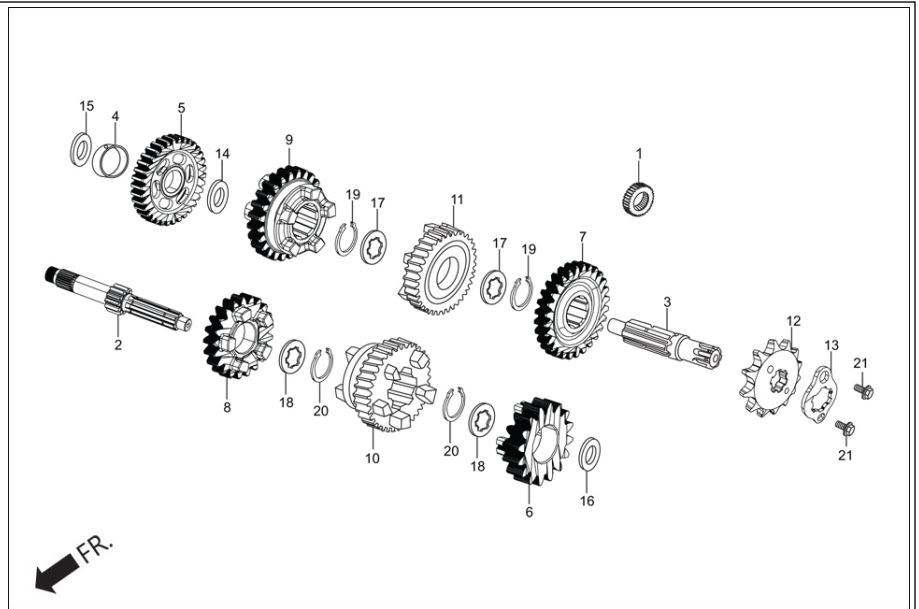


Group Number: E-7 Model :: Ignitor 125 i3S EURO III (JUL, 2020)

Service Item	F.R.T.
*CRANK SHAFT COMP.,	4.0
*RING SET, PISTON	1.3
*PISTON	--
*PIN, PISTON	1.2
*ROD, CONNECTING (ACTUAL TIME)	--
*BEARING BALL RADIAL 6203. (ADD FOR EACH)	--

Ref No.	Part Number	Description	Req.
1	13000-AAN-410	CRANK SHAFT COMP.	1
2	13101-AAN-410	PISTON	1
3	13111-087-000	PIN, PISTON	1
4	13115-001-000	CLIP, PISTON PIN	2
5	13201-AAN-410	ROD CONNECTING	1
6	13322-KTC-900	COLLAR, CRANK SHAFT LEFT	1
7	13380-AAN-410	PIN COMP., CRANK	1
8	14311-KPH-900	SPROCKET, TIMING	1
9	23125-KTC-901	COLLAR, PRIMARY DRIVE	1
10	91002-KTC-901	BRG. BALL RADIAL, 63/22 SPL	1
11	94303-03050	DOWEL PIN 3 X 5	1
12	96211-08000	BALL STEEL 8 MM	1
13	90741-KFB-000	KEY, WOODRUFF, 4 MM	1
14	90741-KGH-900	KEY, WOODRUFF, 4 MM	1
15	13011-AAN-410	RING SET PISTON STD	1
16	9110A-AAN-410	BEARING CON ROD	1

E-8 TRANSMISSION

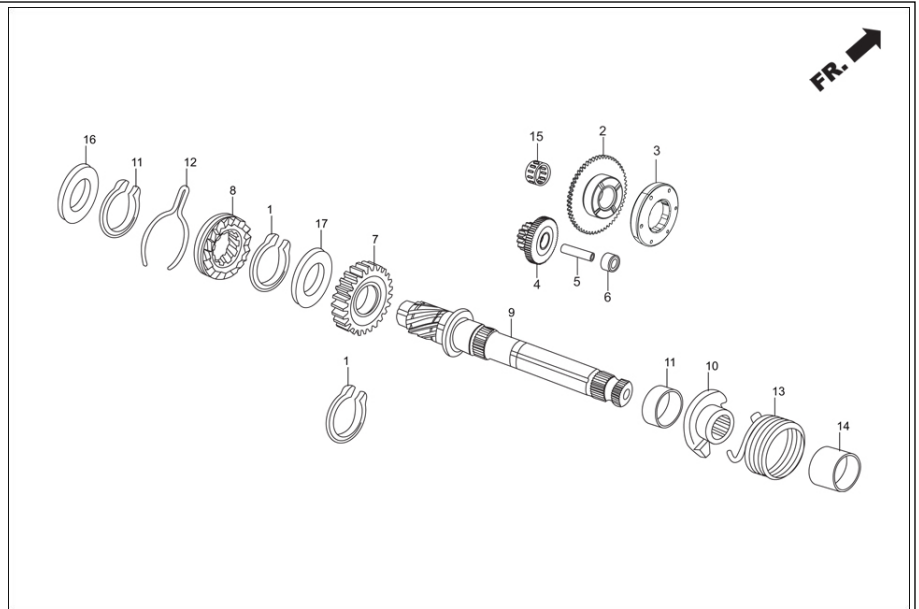


Service Item	F.R.T.
*MAIN SHAFT (INC. RELATIVE PART)	*4.0 --
*COUNTER SHAFT (INC. RELATIVE PART)	-- --
(WHEN SERVICING COMP., UNIT)	--
*SPROCKET, DRIVE	0.2

Group Number: E-8 Model :: Ignitor 125 i3S EURO III (JUL, 2020)

Ref No.	Part Number	Description	Req.
1	23123-KGH-900	GEAR C, PRIMARY DRIVE (YELLOW)	1
2	23211-AAN-410	SHAFT MAIN 13T	1
3	23221-KTR-940	SHAFT, COUNTER	1
4	23415-KPH-900	BUSH, 15 MM	1
5	23421-AAN-410	GEAR C-1 36T	1
6	23431-AAN-410	GEAR M-2 20T	1
7	23441-AAN-410	GEAR C-2 30T	1
8	23451-AAN-410	GEAR M-3 21T	1
9	23461-AAN-410	GEAR C-3 23T	1
10	23471-KTC-902	GEAR, M-4 23T	1
11	23481-KTC-902	GEAR, C-2 21T	1
12	23801-AAN-411	SPROCKET DRIVE	1
13	23802-AAN-411	PLATE FIXING	1
14	90412-187-000	WASHER THRUST	1
15	90412-KPH-900	WASHER SPL., 12 X 23	1
16	90452-KGH-900	WASHER SPL. 12 MM	1
17	90461-GB4-770	WASHER, SPLINE, 20 X 1.2	2
18	90461-KTC-900	WASHER, SPLINE 17 MM	2
19	90601-AAB-A00	CIRCLIP 17 MM	2
20	90605-200-000	SET RING, 20MM	2
21	90101-AAN-410	BOLT FLANGE SH.6X10	2

E-9 KICK STARTER

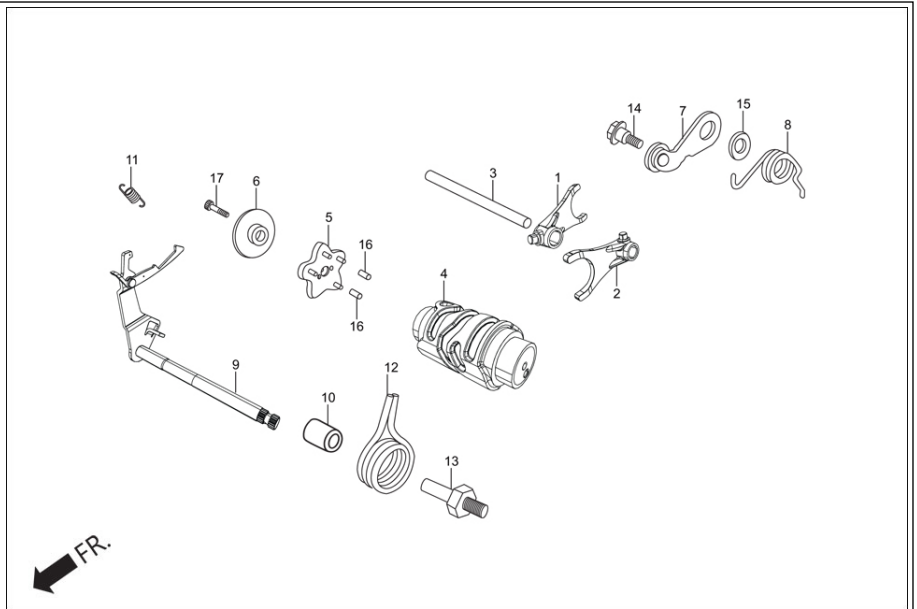


Service Item	F.R.T.
*PINION, KICK STARTER	*3.7
*SPINDLE, KICK STARTER (INC. RELATIVE PART)	--
*SPRING, KICK STARTER (INC. RELATIVE PART)	1.1
	--

Group Number: E-9 Model :: Ignitor 125 i3S EURO III (JUL, 2020)

Ref No.	Part Number	Description	Req.
1	90605-200-000	SET RING, 20MM	2
2	28110-KTC-921	GEAR COMP., STARTER DRIVEN	1
3	28120-KTR-A00A	ASSY. ONEWAY CLUTCH	1
4	28131-KTC-920	GEAR, STARTER REDUCTION (17T)	1
5	28132-KPH-900	SHAFT, REDUCTION GEAR	1
6	28133-KPH-900	COLLAR, STARTER REDUCTION	1
7	28211-AAN-410	PINION KICK STARTER	1
8	28221-KTC-900	RATCHET, STARTER DRIVE	1
9	28251-KTC-900	SPINDLE, KICK STARTER	1
10	28262-KTC-900	RETAINER, KICK SPRING	1
11	28265-KPH-900	COLLAR, KICK RETAINER	1
12	28271-KPH-900	SPRING, FRICTION, STARTER PINION	1
13	28281-KPH-900	SPRING, KICK RETURN	1
14	28282-KPH-900	COLLAR, KICK SPRING	1
15	91071-KTC-900	BEARING NEEDLE, 21 X 25 X 18	1
16	90452-KPH-900	WASHER THRUST, 15.5 MM	1
17	90454-KPH-900	WASHER, 25 X 20.2 X 1	1

E-10 GEAR SHIFT

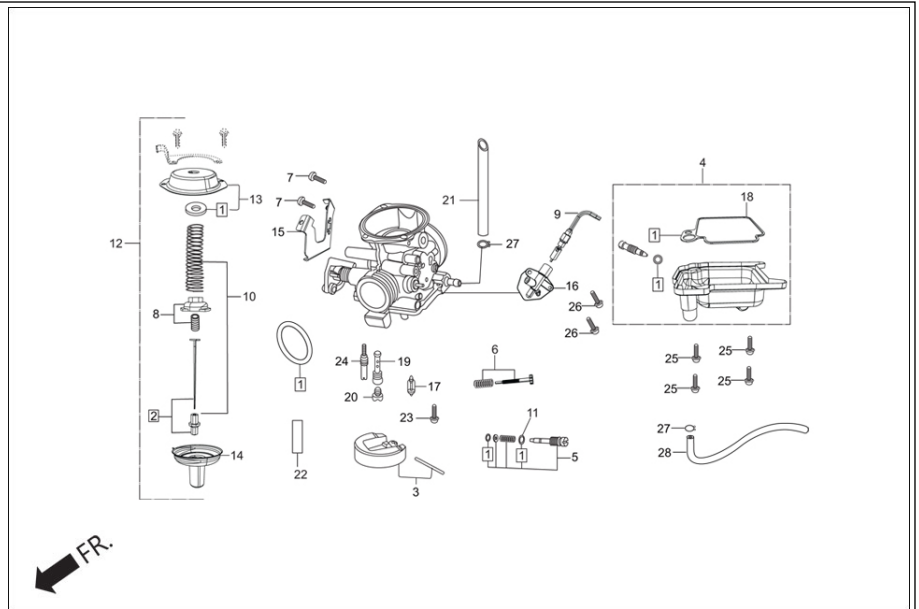


Service Item	F.R.T.
*FORK GEAR SHIFT (ONE OR ALL)	3.8
*DRUM, GEAR SHIFT.	--
*PLATE, SHIFT DRUM STOPPER.	--
*ARM COMP., SHIFT DRUM STOPPER (INC. RELATIVE PART)	--
*SPINDLE COMP., GEAR SHIFT (INC. RELATIVE PART)	1.2
*CONTACT ASSY., NEUTRAL SWITCH	0.2

Group Number: E-10 Model :: Ignitor 125 i3S EURO III (JUL, 2020)

Ref No.	Part Number	Description	Req.
1	24211-KTC-900	FORK R GEAR SHIFT	1
2	24212-KTC-900	FORK, L GEAR SHIFT	1
3	24241-AAN-410	SHAFT GEAR SHIFT FORK	1
4	24301-KTC-900	DRUM ,GEARSHIFT	1
5	24410-KTC-900	PLATE COMP., SHIFT DRUM STOPPER	1
6	24421-KTC-900	HOLDER, DRUM STOPPER	1
7	24430-KPH-901	STOPR. COMP., GEAR SHIFT DRUM	1
8	24435-KTC-900	SPRING, SHIFT DRUM STOPPER	1
9	24610-KTR-940	SPINDLE COMP., GEAR SHIFT	1
10	24639-KPG-T00	COLLAR, 12.2 MM	1
11	24641-KTC-900	SPRING, GEAR SHIFT ARM	1
12	24651-KTC-900	SPRING, GEAR SHIFT, RETURN	1
13	24652-KPH-900	PIN, SHIFT RETURN SPRING	1
14	90022-MG8-000	PIVOT, SHIFT DRUM STOPR. ARM	1
15	90435-HB3-000	WASHER, 6.1 MM	1
16	96220-30085	ROLLER, 3 X 8.5	2
17	96700-06018-00	SOCKET, BOLT, 6 X 18	1

E-11 CARBURETTOR

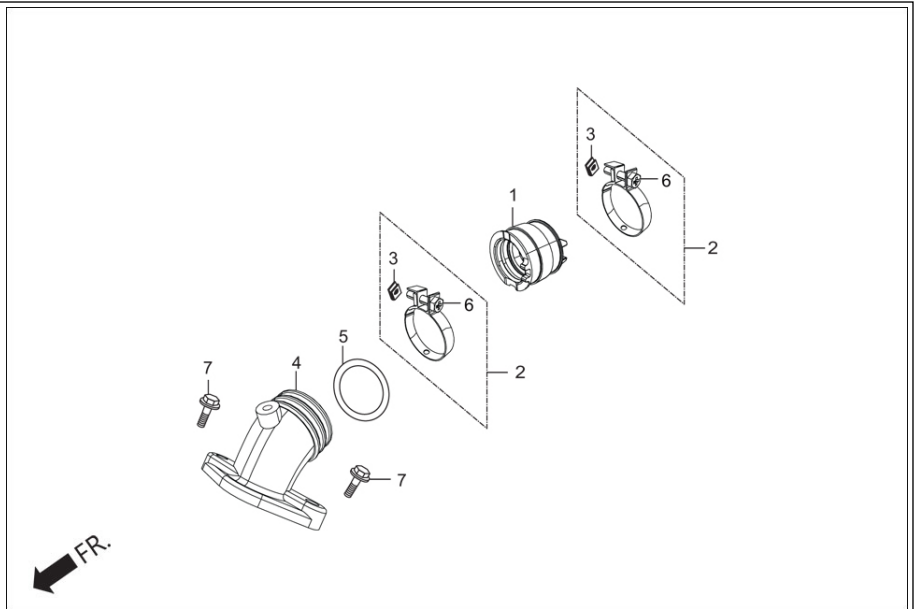


Service Item	F.R.T.
*NEEDLE SET, JET	0.5
*CARBURETTOR ASSY	--
*FLOAT SET	0.4
*TOP SET.	0.2
*CHAMBER SET, FLOAT	--
*VALVE SET, THROTTLE	0.3

Group Number: E-11 Model :: Ignitor 125 i3S EURO III (JUL, 2020)

Ref No.	Part Number	Description	Req.
1	16010-AAN-410	GASKET SET	1
2	16012-AAN-410	NEEDLE SET JET	1
3	16013-AAN-410	FLOAT SET	1
4	16015-AAN-410	CHAMBER SET FLOAT	1
5	16016-AAN-410	SCREW SET A	1
6	16028-AAN-410	SCREW SET B	1
7	16031-AAN-410	SCREW PAN	2
8	16037-AAN-410	PLATE SET VALVE	1
9	16046-AAN-410	VALVE SET STARTER	1
10	16050-AAN-410	SPG COMPRESSION COIL	1
11	16076-AAN-410	O-RING	1
12	16100-AAN-F01	CARBURETTOR ASSY.	1
13	16107-AAN-410	TOP	1
14	16111-AAN-410	PISTON COMP VACUUM	1
15	16119-AAN-410	STAY WIRE	1
16	16140-AAN-410	BODY COMP BY-ST	1
17	16155-AAN-410	VALVE COMP FLOAT	1
18	16163-AAN-410	GASKET FLOAT CHAMBER	1
19	16165-AAN-F01	HOLDER NEEDLE JET	1
20	99101-AAN-410	JET # 115	1
21	16199-AAN-410	TUBE AIR VENT	1
22	16423-AAN-410	GASKET BY-ST	1
23	93500-04008-1H	SCREW,PAN,4X8	1
24	99103-AAN-410	JET SLOW # 35	1
25	93500-04012-1H	SCREW,PAN,4 X 12	4
26	93500-05014-1H	SCREW PAN 5X14	2
27	95002-AAN-410	CLIP TUBE	2
28	95005-AAN-410	TUBE	1

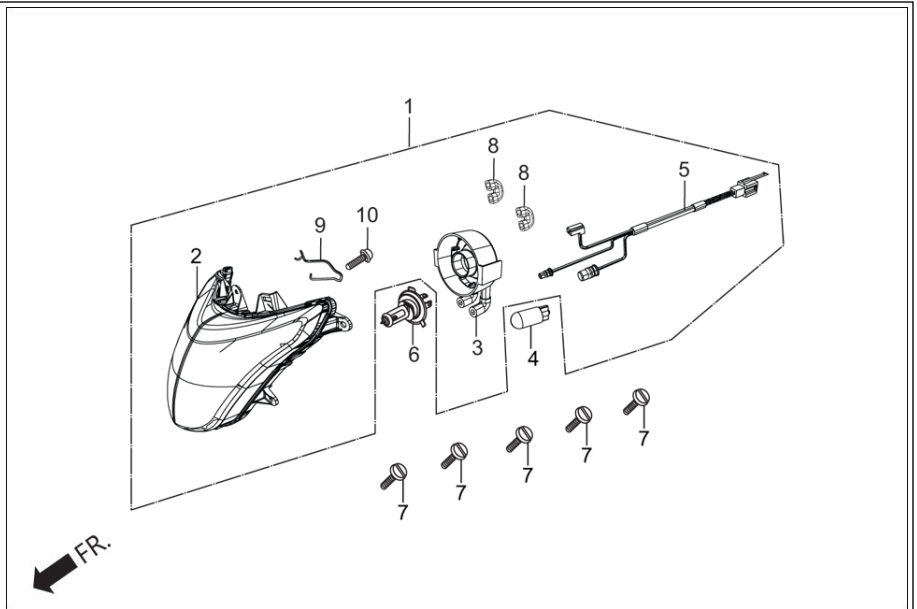
E-11A
INLET PIPE/PIPE COMP. AIR FEED



Service Item	F.R.T.
*HEAD COMP. CYLINDER	1.6
*GASKET, CYLINDER HEAD	--
*COVER, 'L' CYLINDER HEAD SIDE	0.2
*SPARK PLUG	0.1
*INSULATOR, CARBURETTOR	0.2
*PIPE COMP. INLET	0.3

Group Number: E-11A Model :: Ignitor 125 i3S EURO III (JUL, 2020)			
Ref No.	Part Number	Description	Req.
1	16211-AAN-410	INSULATOR CARB	1
2	16217-AAW-200	BAND INSULATOR	2
3	16222-MV4-300	NUT, SQUARE, 5 MM	2
4	17111-AAN-D00	PIPE INLET	1
5	91301-KCC-770	O-RING, 27 X 2 (COLOUR GREEN)	1
6	93891-05030-07	SCREW WASH 5X30	2
7	96001-06025-00	BOLT, FLANGE, SH. 6 X 25	2

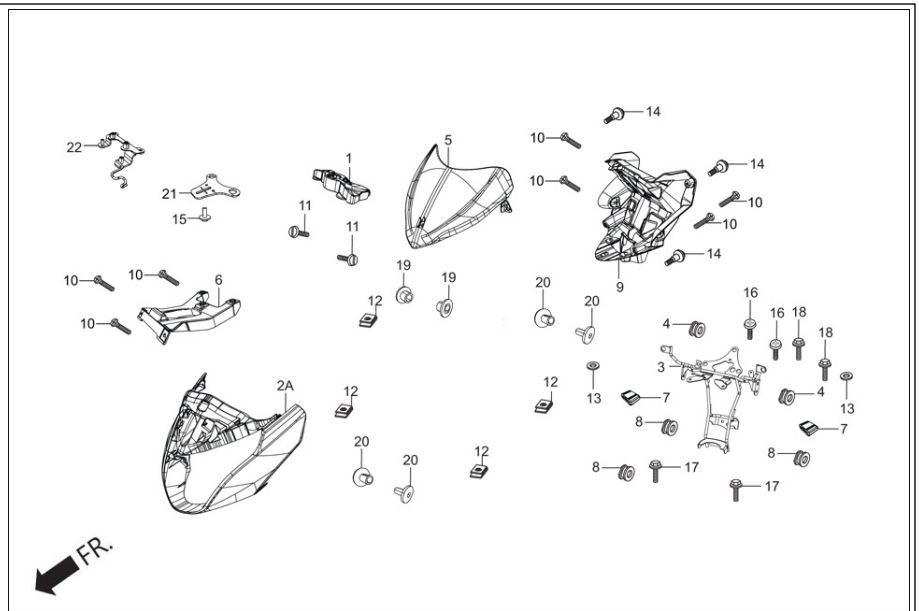
F-1
LIGHT ASSY. HEAD



Service Item	F.R.T.
* LIGHT ASSY., HEAD	0.1
*UNIT HEADLIGHT (INC. RELATIVE PART)	--
*BULB, HEADLIGHT	--
*SOCKET ASSY., HEADLIGHT	0.2
*STAY, COMP. FR. COWL	--
*STAY, FRONT WINKER	--
*PANEL, INNER.	--
*SET, FRONT COWL,	--

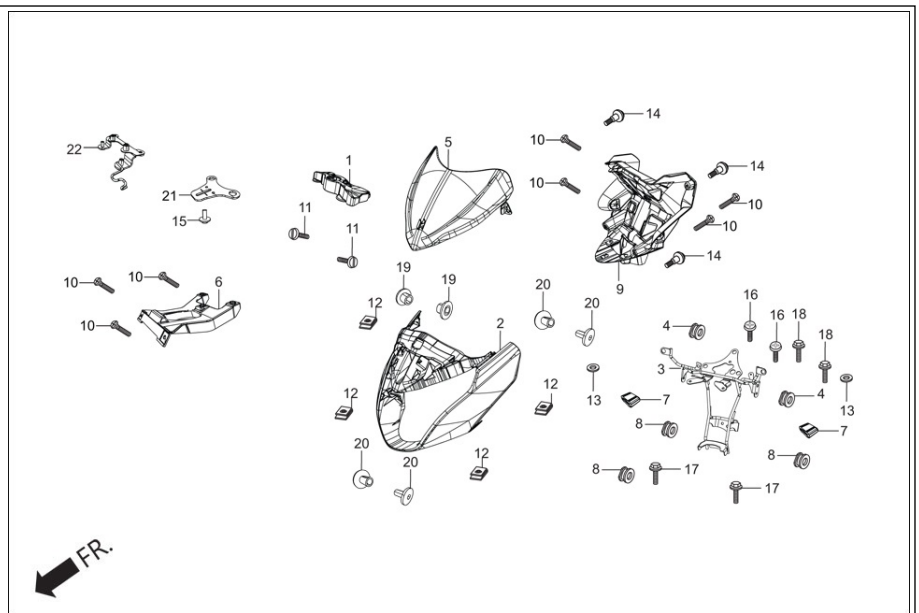
Group Number: F-1 Model :: Ignitor 125 i3S EURO III (JUL, 2020)			
Ref No.	Part Number	Description	Req.
1	3310B-AAN-40099	LIGHT ASSY HEAD	1
2	33120-AAN-401	UNIT HEAD LIGHT	1
3	33112-KTN-921	SOCKET COVER	1
4	34920-AAK-201	BULB, WEDGE BASE (W3W) E MARK	1
5	33130-AAN-401	SOCKET COMP HEAD LIGHT	1
6	34901-KSP-910	BULB, HEAD LIGHT	1
7	93903-35380	SCREW TAPPING 5X16	5
8	33706-ABA-000	PIPE CP	2
9	33108-KRY-900	SPRING, SPC(BULB HOLDER)	1
10	93901-34310	SCREW TAPPING 4X12	1

F-1A-IBS FRONT COVER



Service Item	F.R.T.	Group Number: F-1A-IBS Model :: Ignitor 125 i3S EURO III (JUL, 2020)			
		Ref No.	Part Number	Description	Req.
* LIGHT ASSY., HEAD	0.1	1	53252-AAN-410	COVER, SWITCH ASSY	1
*UNIT HEADLIGHT (INC. RELATIVE PART)	--	2A	61300-ACL-410U	SET FRONT COWL (MATT VERNIER GREY)	1
*BULB, HEADLIGHT	--	3	61311-AAN-410	STAY FR COWL	1
*SOCKET ASSY., HEADLIGHT	0.2	4	61103-KVE-860	RUBBER,FR COWL MOUNT	2
*STAY, COMP. FR. COWL	--	5	64100-ACL-200	VISOR FRONT	1
*STAY, FRONT WINKER	--	6	64315-AAN-410	STAY FR NO. PLATE	1
*PANEL, INNER.	--	7	77267-KTR-900	RUBBER, COWL	2
*SET, FRONT COWL,	--	8	80101-443-000	RUBBER, RR. FENDER CUSHION	3
		9	83402-AAN-410	PANEL INNER	1
		10	90102-GB2-720	SCREW, PAN, 5X16	7
		11	90109-SB6-000	SCREW, TRUSS, 5X14	2
		12	90320-GC3-000	NUT, SPRING, M5	4
		13	90563-355-000	WASHER, WHEEL, 6 MM	2
		14	91509-GE2-760	SCREW, WASHER, 5 X 11.5	3
		15	93404-06012-00	BOLT, WASHER, 6 X 12	1
		16	93903-34380	SCREW, TAPPING, 4X12	2
		17	95701-06020-07	BOLT, FLANGE, 6 X 20	2
		18	95701-06022-00	BOLT, FLANGE, SH. 6 X 22	2
		19	61104-428-000	COLLAR, FR, FENDER	2
		20	80111-KVN-900	COLLAR, RR. FENDER	4
		21	61313-AAN-410	LOWER BRIDGE CLAMP	1
		22	61312-AAN-410	UPPER BRIDGE CLAMP COMP.	1

F-1A-W/O FRONT COVER

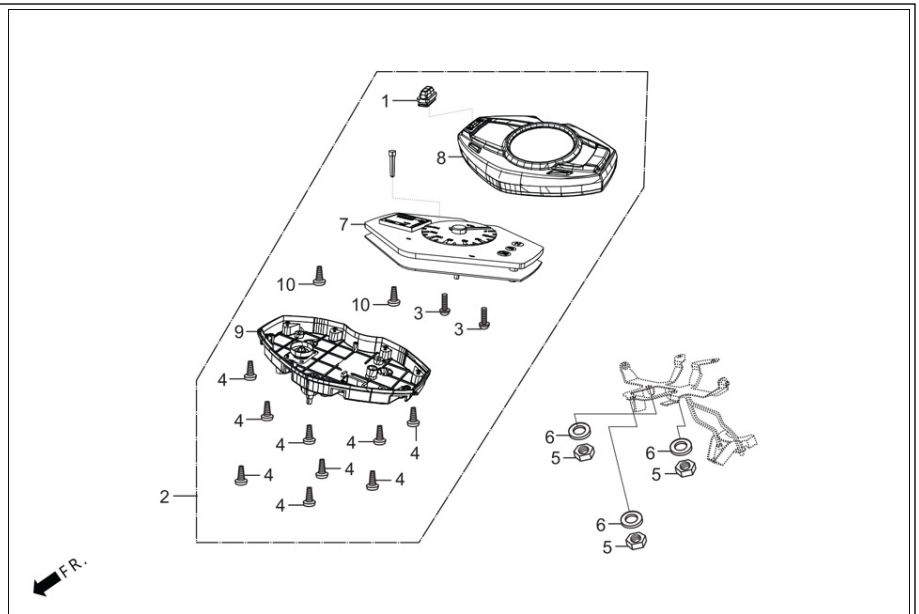


Service Item	F.R.T.
* LIGHT ASSY., HEAD	0.1
*UNIT HEADLIGHT (INC. RELATIVE PART)	--
*BULB, HEADLIGHT	--
*SOCKET ASSY., HEADLIGHT	0.2
*STAY, COMP. FR. COWL	--
*STAY, FRONT WINKER	--
*PANEL, INNER.	--
*SET, FRONT COWL,	--

Group Number: F-1A-W/O Model :: Ignitor 125 i3S EURO III (JUL, 2020)

Ref No.	Part Number	Description	Req.
1	53252-AAN-410	COVER, SWITCH ASSY	1
2	61301-ACL-400R	COWL FRONT (PANTHER BLACK ME.)	1
	61301-ACL-400S	COWL FRONT (VIBRANT BLUE ME.)	1
	61301-ACL-400T	COWL FRONT (SPORTS RED)	1
3	61311-AAN-410	STAY FR COWL	1
4	61103-KVE-860	RUBBER,FR COWL MOUNT	2
5	64100-ACL-200	VISOR FRONT	1
6	64315-AAN-410	STAY FR NO. PLATE	1
7	77267-KTR-900	RUBBER, COWL	2
8	80101-443-000	RUBBER, RR. FENDER CUSHION	3
9	83402-AAN-410	PANEL INNER	1
10	90102-GB2-720	SCREW, PAN, 5X16	7
11	90109-SB6-000	SCREW, TRUSS, 5X14	2
12	90320-GC3-000	NUT, SPRING, M5	4
13	90563-355-000	WASHER, WHEEL, 6 MM	2
14	91509-GE2-760	SCREW, WASHER, 5 X 11.5	3
15	93404-06012-00	BOLT, WASHER, 6 X 12	1
16	93903-34380	SCREW, TAPPING, 4X12	2
17	95701-06020-07	BOLT, FLANGE, 6 X 20	2
18	95701-06022-00	BOLT, FLANGE, SH. 6 X 22	2
19	61104-428-000	COLLAR, FR, FENDER	2
20	80111-KVN-900	COLLAR, RR. FENDER	4
21	61313-AAN-410	LOWER BRIDGE CLAMP	1
22	61312-AAN-410	UPPER BRIDGE CLAMP COMP.	1

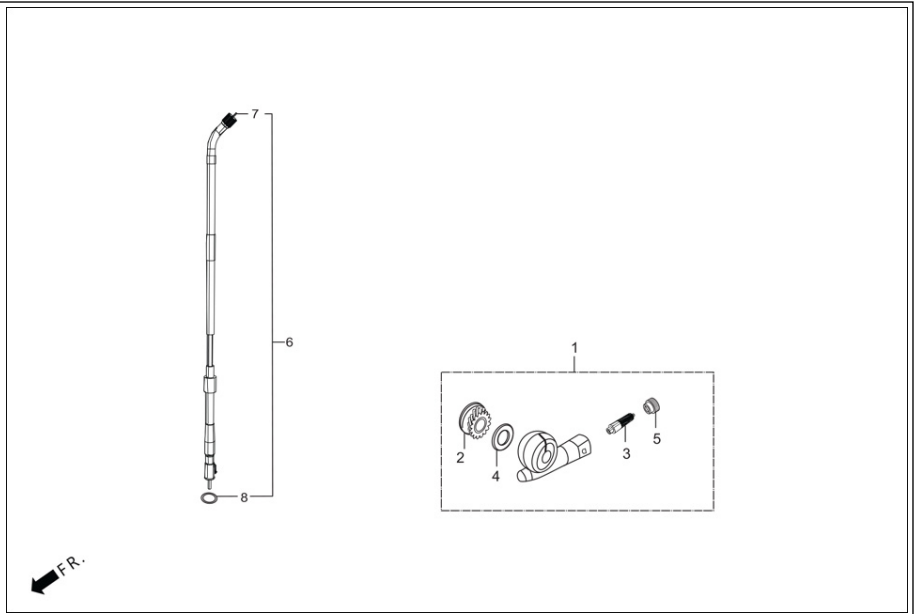
F-2
SPEEDOMETER ASSY.



Service Item	F.R.T.
*KEY SET.	1.1
*SWITCH ASSY., COMB. & LOCK	0.4
*METER ASSY., COMB.	0.3
*SPEEDOMETER COMP.,	0.5
*FUEL METER COMP.,	--
*CASE, UPPER ASSY.,	--
*CASE, UNDER ASSY.,	--
*SOCKET COMP.,	--
*CABLE COMP., SPEEDOMETER.	--
*CABLE, INNER.	0.1

Group Number: F-2 Model :: Ignitor 125 i3S EURO III (JUL, 2020)				
Ref No.	Part Number	Description	Req.	
1	37203-AAN-411	SWITCH RUBBER	1	
2	37100-AAN-421	METER ASSY. COMB	1	
3	93901-22010	SCREW TAPPING 3X6	2	
4	93903-22480	SCREW TAPPING 3 X 16	9	
5	94001-06070-0S	NUT, HEX., 6 MM	3	
6	94103-06700	WASHER, PLAIN, 6 MM	3	
7	37110-AAN-411	SPEEDOMETER COMP	1	
8	37111-AAN-421	CASE UPPER ASSY	1	
9	37112-AAN-411	CASE UNDER ASSY	1	
10	93903-34110	SCREW, TAPPING, 4 X 8.	2	

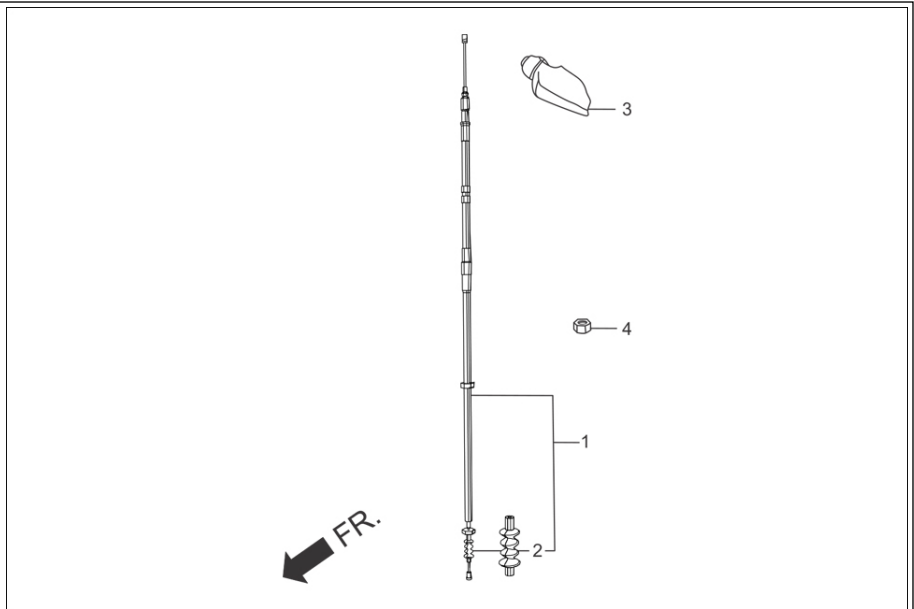
F-2A
SPEEDOMETER GEAR /SPEEDOMETER
CABLE



Service Item	F.R.T.
*KEY SET.	1.1
*SWITCH ASSY., COMB. & LOCK	0.4
*METER ASSY., COMB.	0.3
*SPEEDOMETER COMP.,	0.5
*FUEL METER COMP.,	--
*CASE, UPPER ASSY.,	--
*CASE, UNDER ASSY.,	--
*SOCKET COMP.,	--
*CABLE COMP., SPEEDOMETER.	--
*CABLE, INNER.	0.1

Group Number: F-2A Model :: Ignitor 125 i3S EURO III (JUL, 2020)			
Ref No.	Part Number	Description	Req.
1	44800-KVE-901	GEAR BOX ASSY., SPDMT. (MGM)	1
2	44804-KVE-901	GEAR, SPEEDOMETER	1
3	44805-KVE-901	PINION, SPEEDOMETER	1
4	44809-170-000	WASHER, SPEEDOMETER GEAR	1
5	44810-KTC-900	BUSH, PINION	1
6	44830-AAN-410	CABLE COMP SPDMT.	1
7	44830-KWA-830A	CABLE INNER	1
8	91352-GAZ-930	O-RING 8.5X11.5	1

F-3
CONTROL CABLE

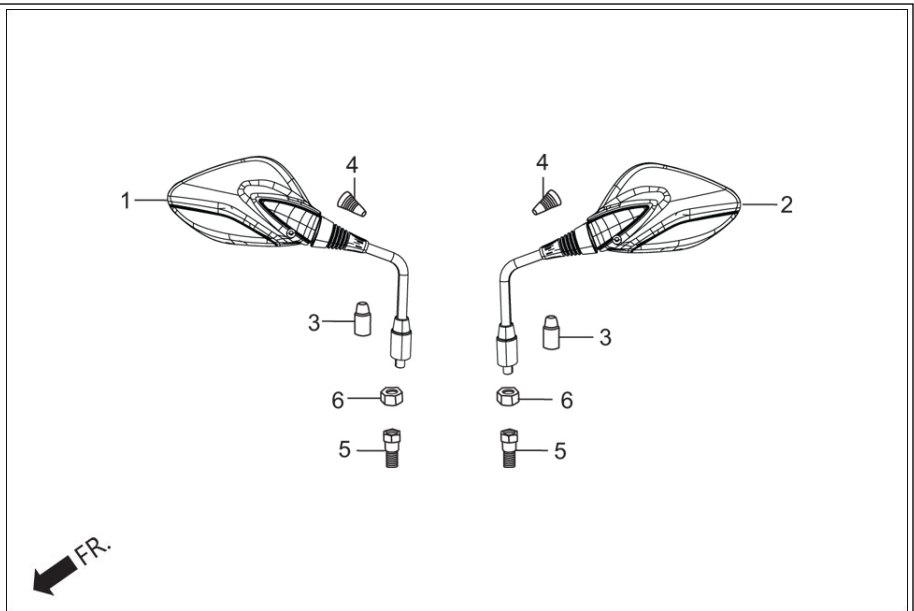


Service Item	F.R.T.
*CABLE COMP., THROTTLE	0.3
*CABLE COMP., CLUTCH	0.2
*SWITCH ASSY., WINKER	0.5
*SWITCH ASSY., FR. STOP	--
*CABLE COMP., FR. BRAKE	--
*GRIP COMP., 'R' HANDLE	0.6
*GRIP 'L' HANDLE	0.6
*HOUSING UPPER, THROTTLE	--
*HOUSING UNDER, THROTTLE	--
*BRACKET 'R' HANDLE LEVER	--
*BRACKET 'L' HANDLE LEVER	--
*COVER 'R' HANDLE LEVER	--
*COVER 'L' HANDLE LEVER	--

Group Number: F-3 Model :: Ignitor 125 i3S EURO III (JUL, 2020)

Ref No.	Part Number	Description	Req.
1	22870-AAN-410	CABLE CLUTCH	1
2	22871-116-670	BOOT, CLUTCH CABLE	1
3	53179-KTC-900	COVER L HANDLE LEVER	1
4	94002-08000-0S	NUT HEX.8 MM	1

F-3A
MIRROR ASSY.

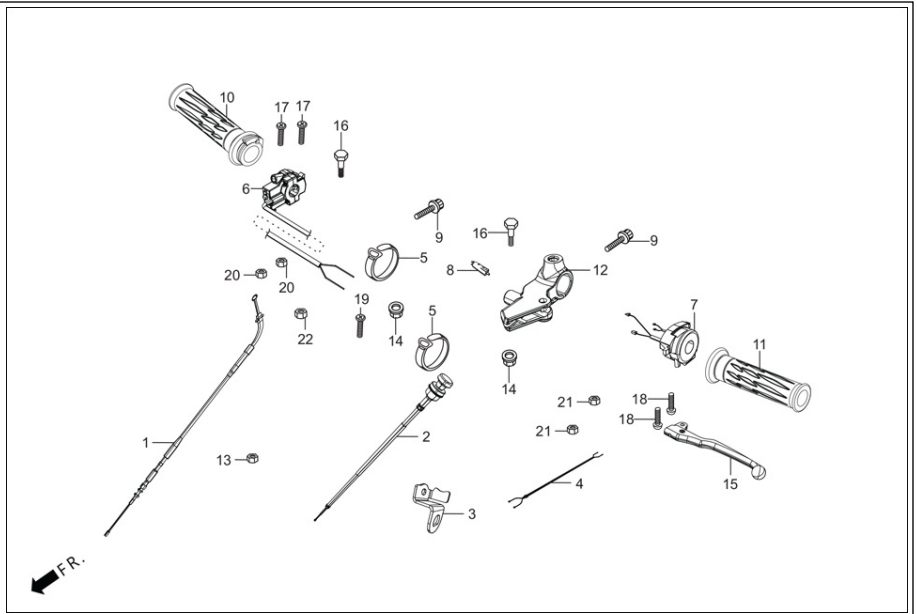


Service Item	F.R.T.
*CABLE COMP., THROTTLE	0.3
*CABLE COMP., CLUTCH	0.2
*SWITCH ASSY., WINKER	0.5
*SWITCH ASSY., FR. STOP	--
*CABLE COMP., FR. BRAKE	--
*GRIP COMP., 'R' HANDLE	0.6
*GRIP 'L' HANDLE	0.6
*HOUSING UPPER, THROTTLE	--
*HOUSING UNDER, THROTTLE	--
*BRACKET 'R' HANDLE LEVER	--
*BRACKET 'L' HANDLE LEVER	--
*COVER 'R' HANDLE LEVER	--
*COVER 'L' HANDLE LEVER	--

Group Number: F-3A Model :: Ignitor 125 i3S EURO III (JUL, 2020)

Ref No.	Part Number	Description	Req.
1	88110-AAN-410	MIRROR ASSY., R. BACK	1
2	88120-AAN-410	MIRROR ASSY., L. BACK	1
3	88114-198-D10	CAP, LOCK NUT	2
4	88115-KTR-900	BOOT, MIRROR UPPER	2
5	90003-MY5-720	BOLT,ADPT.10MM	2
6	90201-MW3-620	NUT, HEX., 10MM	2

F-3B
HANDLE LEVER/SWITCH/CONTROL
CABLE

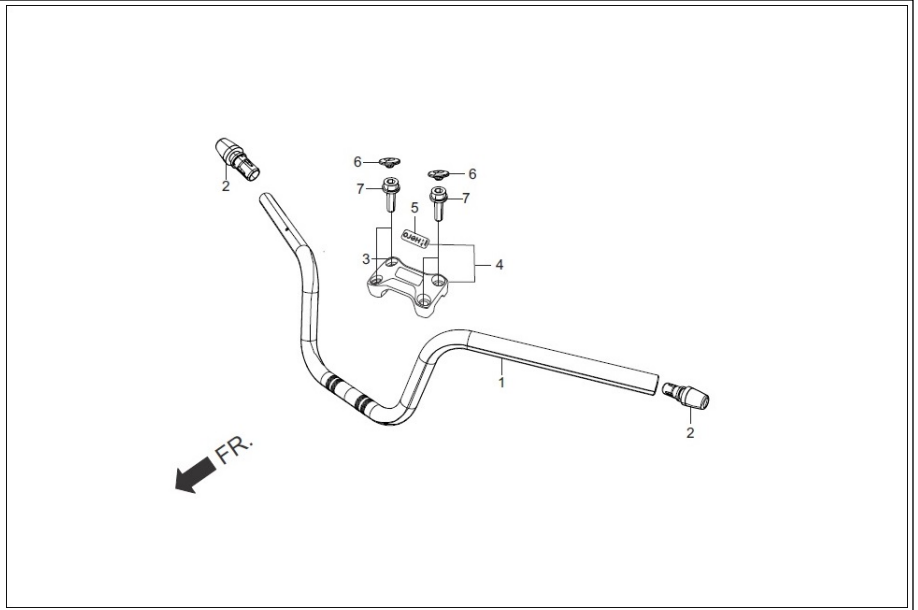


Service Item	F.R.T.
*CABLE COMP., THROTTLE	0.3
*CABLE COMP., CLUTCH	0.2
*SWITCH ASSY., WINKER	0.5
*SWITCH ASSY., FR. STOP	--
*CABLE COMP., FR. BRAKE	--
*GRIP COMP., 'R' HANDLE	0.6
*GRIP 'L' HANDLE	0.6
*HOUSING UPPER, THROTTLE	--
*HOUSING UNDER, THROTTLE	--
*BRACKET 'R' HANDLE LEVER	--
*BRACKET 'L' HANDLE LEVER	--
*COVER 'R' HANDLE LEVER	--
*COVER 'L' HANDLE LEVER	--

Group Number: F-3B Model :: Ignitor 125 i3S EURO III (JUL, 2020)

Ref No.	Part Number	Description	Req.
1	17910-AAN-410	CABLE COMP THROTTLE	1
2	17950-AAN-410	CABLE COMP,CHOKE	1
3	17951-AAN-410	STAY CHOKE LEVER	1
4	32102-KTR-A30	SUB CORD	1
5	32161-404-000	BAND B-1,WIRE	2
6	35150-AAF-041	SW. ASSY. START & I3S	1
7	35200-AAN-K01	SW ASSY WINKER	1
8	35330-413-003	SW. COMP., FR. LEVER	1
9	96001-06025-07	BOLT, FLANGE, SH. 6 X 25	2
10	53140-KTR-A20	GRIP COMP., RHANDLE	1
11	53166-KTR-A20	GRIP, L. HANDLE	1
12	53172-KTC-920	BRACKET, L HANDLE LEVER	1
13	94002-10070-0S	NUT, HEX., 10MM	1
14	94050-06000	NUT, FLANGE, 6 MM	2
15	53178-AAF-H00	LEVER COMP.L STRG.HNDL.	1
16	90114-310-000	BOLT, HANDLE LEVER PIVOT	2
17	93500-05020-0G	SCREW, PAN, 5 X 20	2
18	93500-05022-1G	SCREW, PAN, 5 X 22	2
19	93901-32220	SCREW TAPPING 3X10	1
20	94001-05070-0S	NUT HEX. 5MM	2
21	94002-06000-0S	NUT, HEX 6MM	2
22	94002-10070-0S	NUT, HEX., 10MM	1

F-3C
HANDLE PIPE/TOP BRIDGE

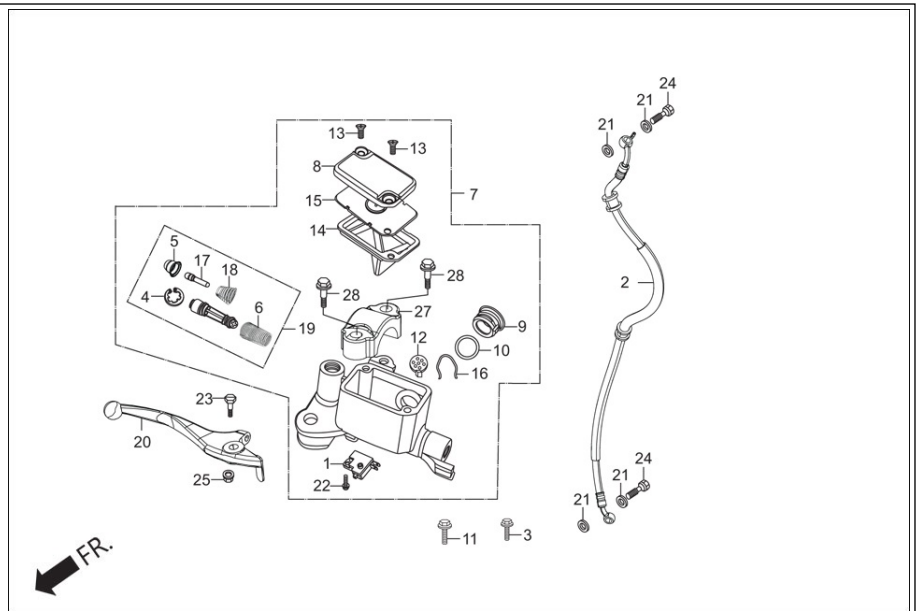


Service Item	F.R.T.
*PIPE, STEERING HANDLE	0.5
*BRIDGE COMP., FORK TOP	--
*HOLDER, HANDLE PIPE UNDER (ADD FOR EACH)	0.2 --

Group Number: F-3C Model :: Ignitor 125 i3S EURO III (JUL, 2020)

Ref No.	Part Number	Description	Req.
1	53100-AAN-410	PIPE STRG HANDLE	1
2	53105-KRC-900	END STRG. HANDLE	2
3	53131-KTR-A20	HOLDER, HANDLE UP	1
4	5313A-AAN-H20	HOLDER HANDLE UP.SUB ASSY.	1
5	53132-KZN-900	EMBLEM HANDLE RR COVER	1
6	91455-MG8-000	CAP, SOC BOLT 6 MM	4
7	90102-KVN-900	BOLT, SP. FLANGE SOCKET 6 X 22	4

F-4-IBS
FRONT BRAKE (MASTER CYL.)

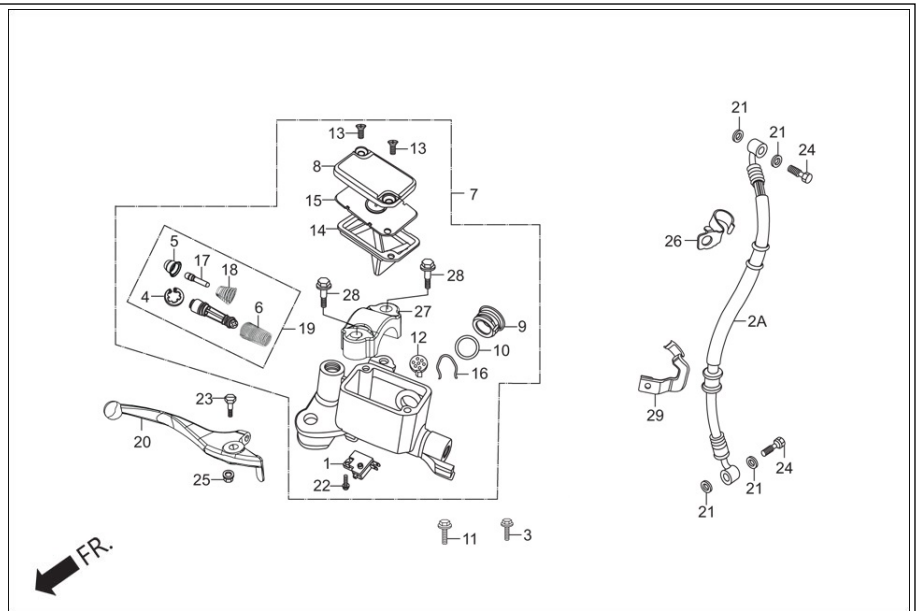


Service Item	F.R.T.
*SWITCH ASSY., FR. STOP	0.1
*HOSE COMP., FR. BRAKE.	0.4
* MASTER CYL. SUB. ASSY., FR. BRAKE.	--
*DIAPHRAGM.	--
* LEVER, 'R' STEERING HANDLE.	--
*CYLINDER SET, MASTER	--

Group Number: F-4-IBS Model :: Ignitor 125 i3S EURO III (JUL, 2020)

Ref No.	Part Number	Description	Req.
1	35340-KCC-841	SW. ASSY. FR. STOP.	1
2	45126-AAN-E00	HOSE COMP., FR. BRAKE	1
3	95701-06012-07	BOLT, FLANGE, 6X12	1
4	90651-KCC-841	CIRCLIP	1
5	45504-KCC-841	BOOT COMP.	1
6	45506-KCC-841	SPRING	1
7	45510-KVN-901	M/C SUB ASSY, FR. BRK	1
8	45513-KCC-841	CAP, MASTER CYLINDER	1
9	45515-KVN-901	GAUGE COMP., LEVEL	1
10	45516-KCC-841	O RING	1
11	95701-06014-00	BOLT, FLANGE, 6 X 14	1
12	45518-KCC-841	SEPARATOR COMP.	1
13	45519-KCC-841	SCREW FLAT	2
14	45520-KCC-841	DIAPHRAGM	1
15	45521-KCC-841	PLATE, DIAPHRAGM	1
16	45522-KCC-841	CLIP, GAUGE	1
17	45525-KCC-841	PUSH ROD	1
18	45526-KCC-841	SPRING , PUSH ROD	1
19	45530-KCC-841	CYLINDER SET MASTER	1
20	53175-KSP-900	LEVER, R STRG. HANDLE	1
21	90545-300-000	WASHER ,OIL BOLT	8
22	90112-KCC-841	SCREW,PAN,4X8	1
23	90114-KCC-841	BOLT, HANDLE LEVER	1
24	90145-MS9-610	OIL BOLT, 10 X 22	4
25	90303-KCC-841	NUT	1
27	45517-KCC-841	HOLDER MASTER CYLINDER	1
28	90111-KCC-841	BOLT,FLANGE 6 X 25	2

F-4-W/O
FRONT BRAKE (MASTER CYL.)

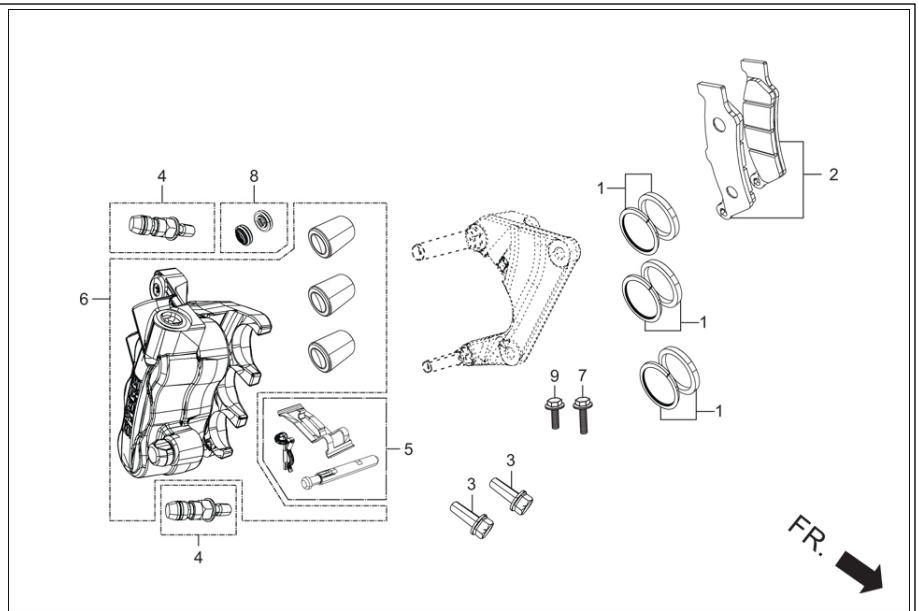


Service Item	F.R.T.
*SWITCH ASSY., FR. STOP	0.1
*HOSE COMP., FR. BRAKE.	0.4
* MASTER CYL. SUB. ASSY., FR. BRAKE.	--
*DIAPHRAGM.	--
* LEVER, 'R' STEERING HANDLE.	--
*CYLINDER SET, MASTER	--

Group Number: F-4-W/O Model :: Ignitor 125 i3S EURO III (JUL, 2020)

Ref No.	Part Number	Description	Req.
1	35340-KCC-841	SW. ASSY. FR. STOP.	1
2A	45126-KCC-840	HOSE COMP.,FR.BRAKE	1
3	95701-06012-07	BOLT, FLANGE, 6X12	1
4	90651-KCC-841	CIRCLIP	1
5	45504-KCC-841	BOOT COMP.	1
6	45506-KCC-841	SPRING	1
7	45510-KVN-901	M/C SUB ASSY, FR. BRK	1
8	45513-KCC-841	CAP, MASTER CYLINDER	1
9	45515-KVN-901	GAUGE COMP., LEVEL	1
10	45516-KCC-841	O RING	1
11	95701-06014-00	BOLT, FLANGE, 6 X 14	1
12	45518-KCC-841	SEPARATOR COMP.	1
13	45519-KCC-841	SCREW FLAT	2
14	45520-KCC-841	DIAPHRAGM	1
15	45521-KCC-841	PLATE, DIAPHRAGM	1
16	45522-KCC-841	CLIP, GAUGE	1
17	45525-KCC-841	PUSH ROD	1
18	45526-KCC-841	SPRING , PUSH ROD	1
19	45530-KCC-841	CYLINDER SET MASTER	1
20	53175-KSP-900	LEVER, R STRG. HANDLE	1
21	90545-300-000	WASHER ,OIL BOLT	8
22	90112-KCC-841	SCREW,PAN,4X8	1
23	90114-KCC-841	BOLT, HANDLE LEVER	1
24	90145-MS9-610	OIL BOLT, 10 X 22	4
25	90303-KCC-841	NUT	1
26	45155-AAN-420	CLAMPER A FR. BRAKE	1
27	45517-KCC-841	HOLDER MASTER CYLINDER	1
28	90111-KCC-841	BOLT,FLANGE 6 X 25	2
29	45156-KCC-840	CLAMPER FRONT BRAKE	1

F-4A-IBS
 FRONT BRAKE (CALIPER ASSY. 'R' FR.)
 (IBS)

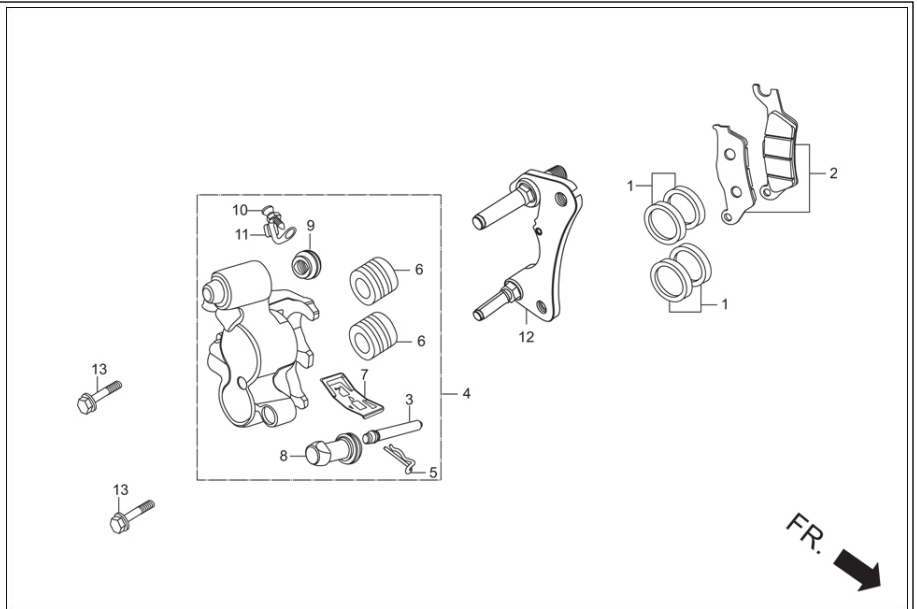


Service Item	F.R.T.
*PAD SET, FRONT	0.2
*PISTON, 26	0.5
(ADD FOR EACH)	--
(INC. RELATIVE PART)	--
*CALIPER ASSY., R. FR	0.4

Group Number: F-4A-IBS Model :: Ignitor 125 i3S EURO III (JUL, 2020)

Ref No.	Part Number	Description	Req.
1	06451-AAN-E00	SEAL SET PISTON	3
2	06455-AAN-E00	PAD SET FR.	1
3	90155-AAR-000	BOLT FLANGE 8X28	2
4	43314-AAN-G00	BLEEDER SCREW ASSY	2
5	45220-AAN-E00	PIN COMP.HANGER	1
6	45250-AAN-E00	CALIPER SUB ASSY. RFR	1
7	95701-06014-00	BOLT, FLANGE, 6 X 14	1
8	45221-AAN-G00	BOOT SET	1
9	95701-06012-07	BOLT, FLANGE, 6X12	1

F-4B-W/O
FRONT BRAKE (CALIPER ASSY. 'R' FR.)
(W/O IBS)

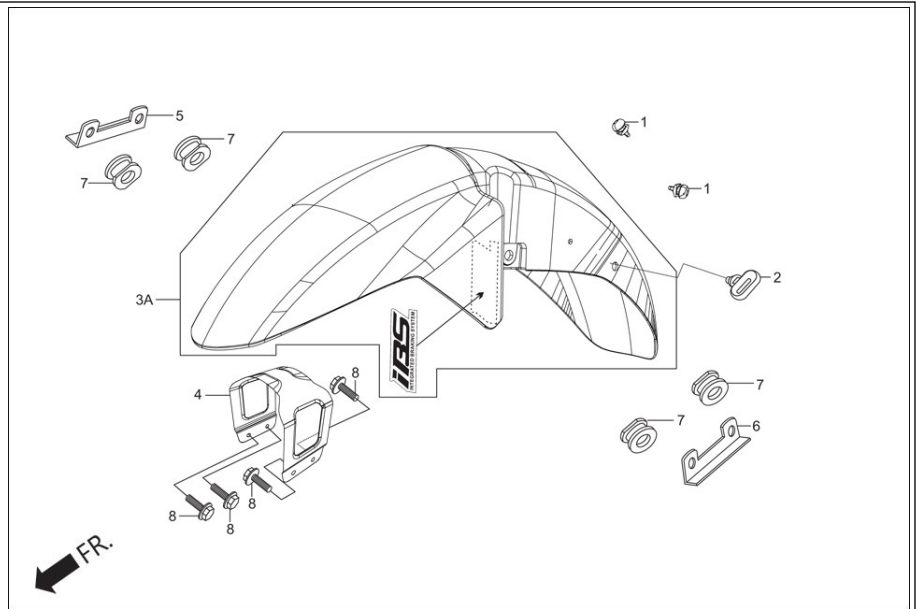


Service Item	F.R.T.
*PAD SET, FRONT	0.2
*PISTON, 26	0.5
(ADD FOR EACH)	--
(INC. RELATIVE PART)	--
*CALIPER ASSY., R. FR	0.4

Group Number: F-4B-W/O Model :: Ignitor 125 i3S EURO III (JUL, 2020)

Ref No.	Part Number	Description	Req.
1	06451-KCC-841	SEAL SET, PISTON	2
2	06455-KCC-841	PAD SET, FRONT	1
3	45220-KCC-841	PIN COMP., HANGER	1
4	45250-KCC-841	CALIPER SUB ASSY., R FR	1
5	43216-MAK-003	CLIP	1
6	45107-KCC-841	PISTON, 26	2
7	45108-KCC-841	PAD, SPRING	1
8	45132-KCC-841	BUSH, BOOT PIN	1
9	45133-KCC-841	BOOT,B	1
10	45352-KCC-841	SCREW, BLEEDER	1
11	45353-KCC-841	CAP, BLEEDER	1
12	45290-KCC-841	BRKT. SUB ASSY., R FR	1
13	90155-KY4-900	BOLT, FLANGE, 8 X 25	2

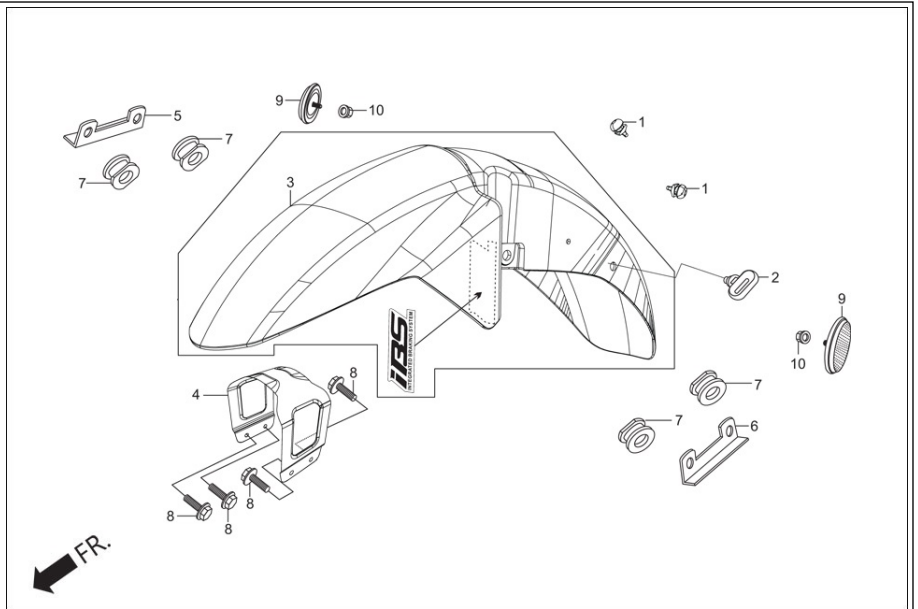
F-5-IBS
FRONT FENDER



Service Item	F.R.T.
*FENDER FRONT	0.3

Group Number: F-5-IBS Model :: Ignitor 125 i3S EURO III (JUL, 2020)			
Ref No.	Part Number	Description	Req.
1	17512-AAN-G00	FENDER FRONT PLUG	2
2	45451-ABA-000	GUIDE, FR. (FENDER) CABLE	1
3A	61105-ACL-410U	SET FRONT FENDER (MATT VERNIER GREY)	1
4	61102-AAN-410	STAY FRONT FENDER	1
5	61103-KTR-940	BRKT. FR. FENDER R	1
6	61104-KTR-940	BRKT. FR. FENDER L	1
7	61105-KTC-900	RUBBER, FRONT FENDER MOUNTING	4
8	95701-06020-00	BOLT, FLANGE, 6X20	4

F-5-W/O
FRONT FENDER

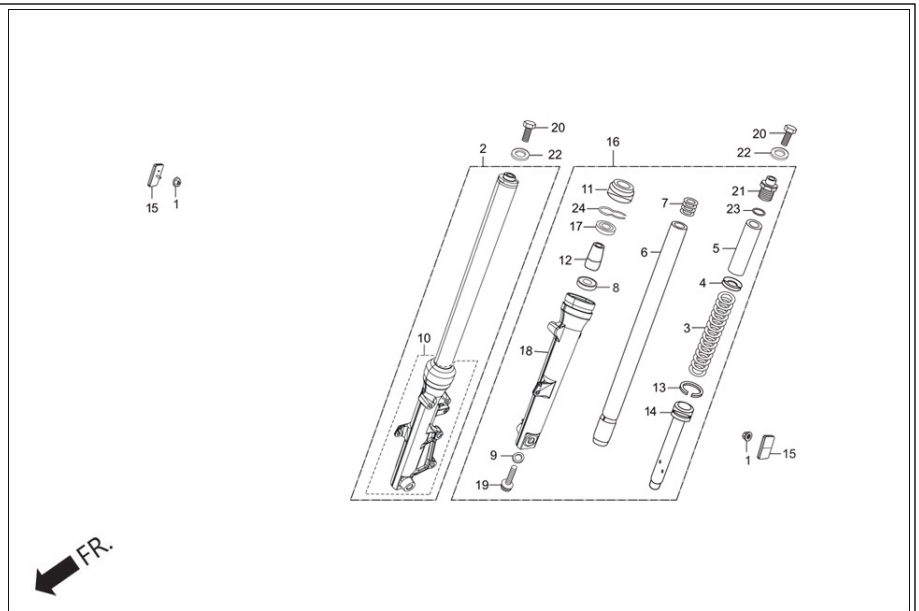


Service Item	F.R.T.
*FENDER FRONT	0.3

Group Number: F-5-W/O Model :: Ignitor 125 i3S EURO III (JUL, 2020)

Ref No.	Part Number	Description	Req.
1	17512-AAN-G00	FENDER FRONT PLUG	2
2	45451-ABA-000	GUIDE, FR. (FENDER) CABLE	1
3	61100-ACL-400R	FENDER FRONT (PANTHER BLACK ME.)	1
	61100-ACL-400S	FENDER FRONT (VIBRANT BLUE ME.)	1
	61100-ACL-400T	FENDER FRONT (SPORTS RED R-321)	1
4	61102-AAN-410	STAY FRONT FENDER	1
5	61103-KTR-940	BRKT. FR. FENDER R	1
6	61104-KTR-940	BRKT. FR. FENDER L	1
7	61105-KTC-900	RUBBER, FRONT FENDER MOUNTING	4
8	95701-06020-00	BOLT, FLANGE, 6X20	4
9	33741-KRY-861	REFLEX, REFLECTOR	2
	33741-AAG-B01	REFLEX REFLECTOR	2
10	90302-KTE-911	NUT FLANGE PT 6MM	2

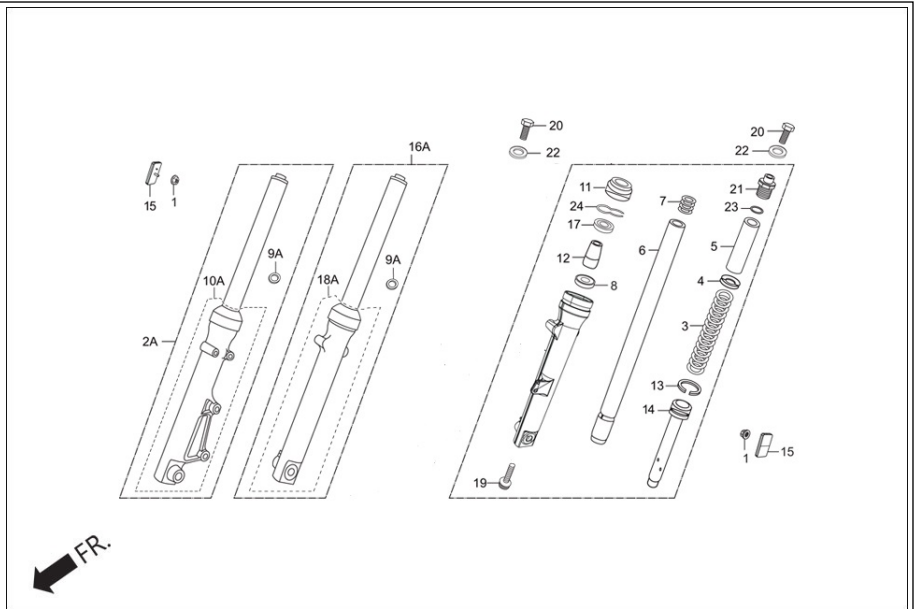
F-6-IBS
FRONT FORK



Service Item	F.R.T.
*FORK ASSY., R/L FR	0.5
(ADD FOR EACH)	--
*SPRING, FR. CUSHION.	0.6
(ADD FOR EACH)	--
*PIPE COMP., FR. FORK.	0.8
(ADD FOR EACH)	--
*CASE R/L FR. BOTTOM.	0.9
(ADD FOR EACH)	--

Group Number: F-6-IBS Model :: Ignitor 125 i3S EURO III (JUL, 2020)			
Ref No.	Part Number	Description	Req.
1	90302-KTE-911	NUT FLANGE PT 6MM	2
2	51400-AAN-E00	FORK ASSY,R FRONT (DISC)	1
3	51401-KST-941	SPRING, FR. CUSHION	2
4	51403-447-730	JOINT, SPRING	2
5	51403-KCC-900	COLLAR, SPRING	2
6	51410-KWA-941	PIPE COMP. FR. FORK	2
7	51412-KAG-900	SPRING, REBOUND	2
8	51412-KWA-941	RING BACKUP	2
9	90544-KFN-851	WASHER, SPECIAL, 8MM	2
10	51420-AAN-E00	CASE COMP,R FR BOTTOM (DISC)	1
11	51425-KST-901	SEAL, DUST	2
12	51432-KST-901	PIECE, OIL LOCK	2
13	51437-KVN-901	RING, PISTON	2
14	51440-KTR-901	PIPE, SEAT	2
15	33740-AAB-000	REFLEX REFLECTOR FRONT	2
16	51500-AAN-E00	FORK ASSY,L FRONT (DISC)	1
17	91255-KWA-941	SEAL OIL 30×42×11	2
18	51520-AAN-E00	CASE COMP,L FR BOTTOM (DISC)	1
19	90116-KAG-900	BOLT, SOCKET, 8 MM	2
20	90123-KRM-860	BOLT, FR. FORK	2
21	90123-KST-941	BOLT, A FR. FORK	2
22	90521-292-000	WASHER, PLAIN, 10.3 MM	2
23	91356-KAG-900	O - RING	2
24	90601-GF5-730	RING, OIL SEAL STOPPER	2

F-6-W/O
FRONT FORK

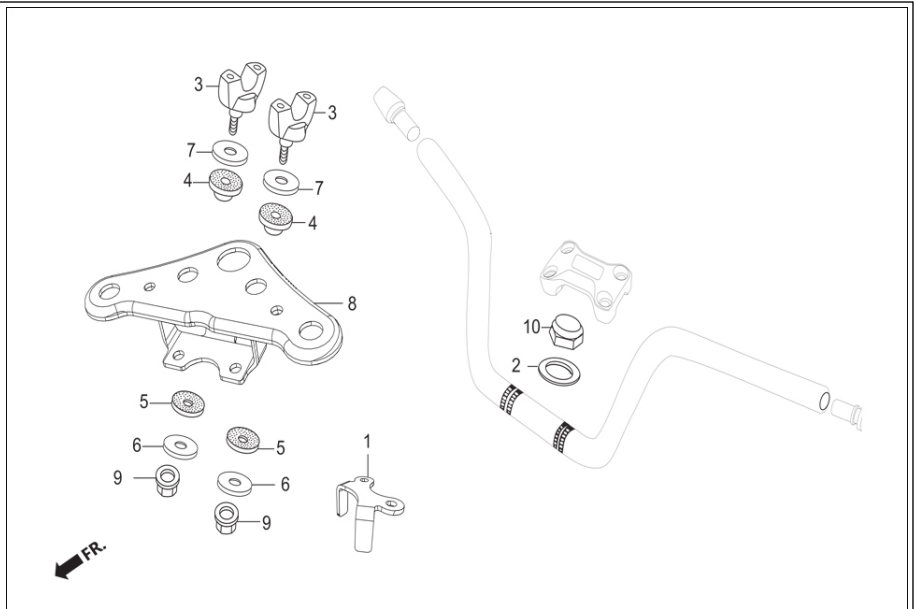


Service Item	F.R.T.
*FORK ASSY., R/L FR	0.5
(ADD FOR EACH)	--
*SPRING, FR. CUSHION.	0.6
(ADD FOR EACH)	--
*PIPE COMP., FR. FORK.	0.8
(ADD FOR EACH)	--
*CASE R/L FR. BOTTOM.	0.9
(ADD FOR EACH)	--

Group Number: F-6-W/O Model :: Ignitor 125 i3S EURO III (JUL, 2020)

Ref No.	Part Number	Description	Req.
1	90302-KTE-911	NUT FLANGE PT 6MM	2
2A	51400-KTR-A11	FORK ASSY., RFR.	1
3	51401-KST-941	SPRING, FR. CUSHION	2
4	51403-447-730	JOINT, SPRING	2
5	51403-KCC-900	COLLAR, SPRING	2
6	51410-KWA-941	PIPE COMP. FR. FORK	2
7	51412-KAG-900	SPRING, REBOUND	2
8	51412-KWA-941	RING BACKUP	2
9A	90544-439-930	WASHER, SPECIAL, 8 MM	2
10A	51420-KTR-A11	CASE, RFR. BOTTOM	1
11	51425-KST-901	SEAL, DUST	2
12	51432-KST-901	PIECE, OIL LOCK	2
13	51437-KVN-901	RING, PISTON	2
14	51440-KTR-901	PIPE, SEAT	2
15	33740-AAB-000	REFLEX REFLECTOR FRONT	2
16A	51500-KTR-A11	FORK ASSY., LFR.	1
17	91255-KWA-941	SEAL OIL 30×42×11	2
18A	51520-KTR-A11	CASE, LFR. BOTTOM	1
19	90116-KAG-900	BOLT, SOCKET, 8 MM	2
20	90123-KRM-860	BOLT, FR. FORK	2
21	90123-KST-941	BOLT, A FR. FORK	2
22	90521-292-000	WASHER, PLAIN, 10.3 MM	2
23	91356-KAG-900	O - RING	2
24	90601-GF5-730	RING, OIL SEAL STOPPER	2

F-6A
TOP BRIDGE

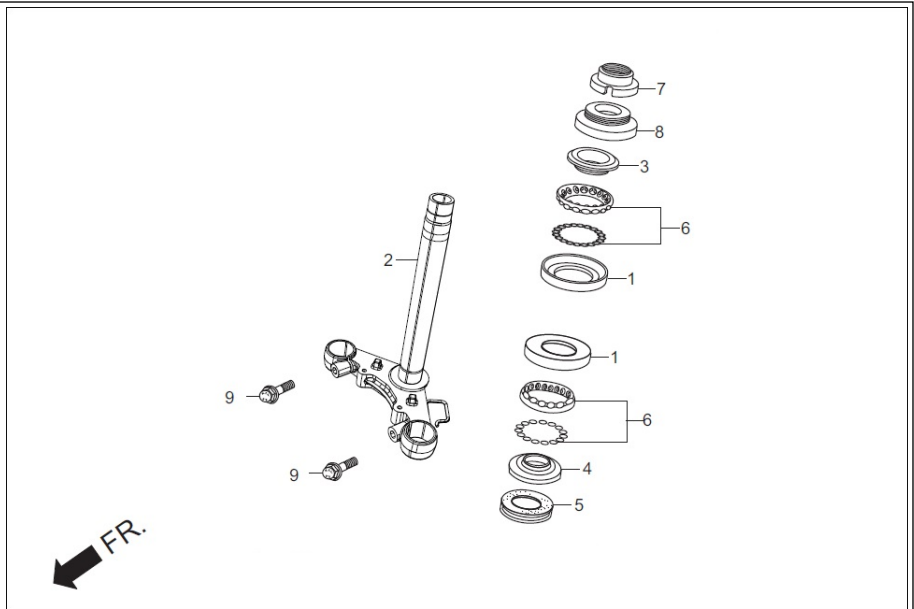


Service Item	F.R.T.
*PIPE, STEERING HANDLE	0.5
*BRIDGE COMP., FORK TOP	--
*HOLDER, HANDLE PIPE UNDER (ADD FOR EACH)	0.2
	--

Group Number: F-6A Model :: Ignitor 125 i3S EURO III (JUL, 2020)

Ref No.	Part Number	Description	Req.
1	35106-KTC-900	COVER, COMB. SWITCH	1
2	90503-KTR-900	WASHER, STEERING STEM	1
3	53132-124-000	HOLDER, HANDLE PIPE UNDER	2
4	53133-198-900	RUBBER, HANDLE CUSHION UPPER	2
5	53134-028-000	RUBBER, HANDLE CUSHION UNDER	2
6	53135-198-900	WASHER, HANDLE CUSHION	2
7	53136-198-900	PLATE, HANDLE CUSHION	2
8	53230-KTR-940	BRIDGE COMP., FORK TOP	1
9	90304-GA6-000	NYLOCK, NUT, 10MM	2
10	90304-KSP-900	NUT, STEERING STEM	1

F-6B
STEERING STEM

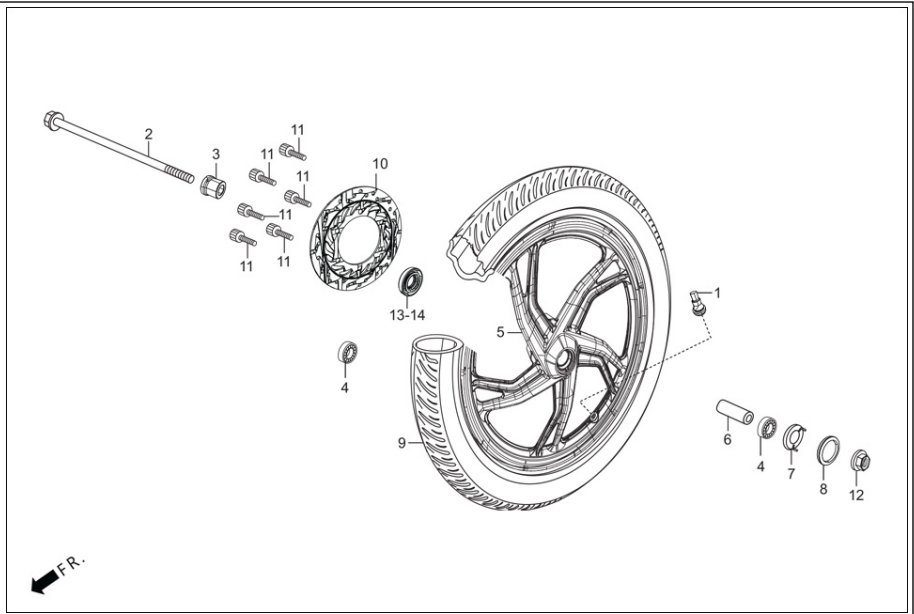


Service Item	F.R.T.
*RACE, STEERING BALL (ONE OR ALL)	0.8 --
*STEM COMP., STEERING	0.9
*RACE, STEERING TOP CONE	0.5
*THREAD, STEERING HEAD TOP	--

Group Number: F-6B Model :: Ignitor 125 i3S EURO III (JUL, 2020)

Ref No.	Part Number	Description	Req.
1	50301-KTR-900	RACE, STEERING BALL	2
2	53200-AAG-900	STEM COMP. STRG	1
3	53211-268-010	RACE, STEERING TOP CONE	1
4	53212-200-000	RACE, STEERING BOTTOM CONE	1
5	53214-200-000	DUST SEAL, STEERING HEAD	1
6	53215-KTR-900	BALL, ASSY. STEERING	2
7	53221-KTR-900	THREAD, STEERING HEAD TOP	1
8	53222-KTR-900	MUD GUARD, STEERING HEAD TOP	1
9	95701-08040-00	BOLT, FLANGE, 8 X 40	2

F-7
FRONT WHEEL

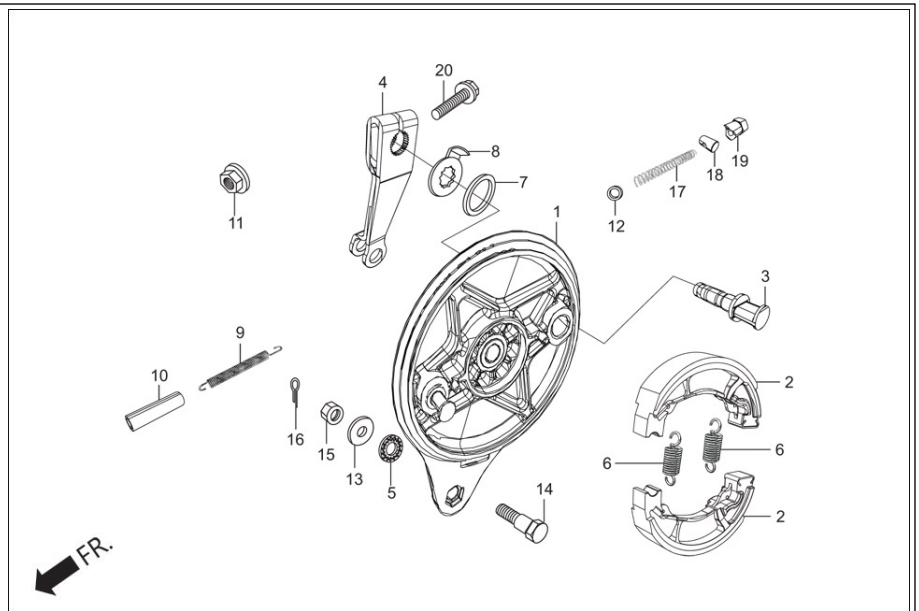


Service Item	F.R.T.
*TUBE, TYRE (2.75-18)	0.9
*TYRE, FR. (2.75-18- 42P).	--
*AXLE, FR. WHEEL	0.3
*COLLAR, FRONT DISTANCE	0.4
*GEAR BOX ASSY., SPDMT	--
*DISC, FR. BRAKE.	--
*BEARING, RADIAL BALL	--
(ADD. FOR EACH)	--

Group Number: F-7 Model :: Ignitor 125 i3S EURO III (JUL, 2020)

Ref No.	Part Number	Description	Req.
1	42753-KWF-901	RIM, VALVE	1
2	44301-KTR-700	AXLE, FR. WHEEL	1
3	44311-KRC-900	COLLAR, FR. WHEEL SIDE	1
4	96150-63010-10	BEARING, BALL RADIAL, 6301 (UU)	2
5	44601-AAN-421	WHEEL FRONT (DISC)	1
6	44620-400-000	COLLAR, FRONT DISTANCE	1
7	44680-410-000	RETAINER, GEAR BOX	1
8	91258-KEJ-900	DUST SEAL, 40 X 50 X 5	1
9	44711-AAN-41099	TIRE FRONT (DRUM)	1
10	45251-KSP-861	DISC, FR. BRAKE	1
11	90105-MK5-010	BOLT, FR., DISC, 8 X 22	6
12	90306-KF0-000	NUT, FLANGE, 12 MM	1
	90306-KST-942	NUT, CASTLE, 12 MM	1
	90306-KTE-911	NUT, CASTLE, 12 MM	1
13	90755-229-000	OIL SEAL, 21 X 37 X 7	1
14	91251-KPH-901	DUST SEAL, 21 X 37 X 7	1

F-8-IBS
REAR BRAKE PANEL

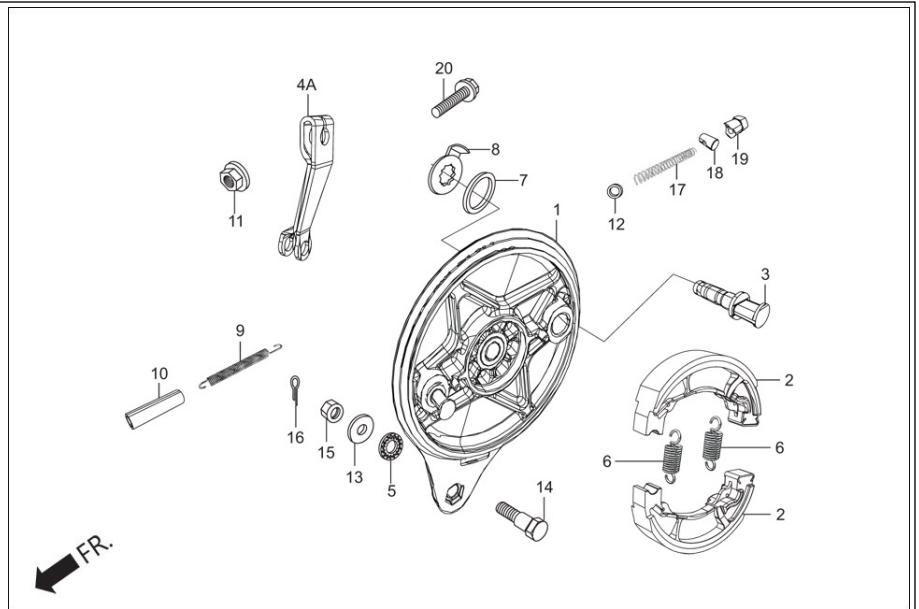


Service Item	F.R.T.
*PANEL COMP., RR. BRAKE	0.5
*SHOE COMP., BRAKE	0.4
(ONE OR ALL)	--
*ARM, RR. BRAKE	0.1
(INC. RELATIVE PART)	--

Group Number: F-8-IBS Model :: Ignitor 125 i3S EURO III (JUL, 2020)

Ref No.	Part Number	Description	Req.
1	43100-KTR-700	PANEL COMP., RR. BRAKE	1
2	45125-AAH-F0099	SHOE COMP BRAKE	2
3	43141-KTC-900	CAM, REAR BRAKE	1
4	43410-AAN-E00	ARM, REAR BRAKE	1
5	43434-286-000	RUBBER, STOPPER ARM CUSHION	1
6	45133-KCC-900	SPRING, FR. BRAKE SHOE	2
7	45134-250-000	DUST SEAL, BRAKE CAM	1
8	45145-KFM-900	INDICATOR, FR. BRK	1
9	46514-KCC-900	SPRING , BRAKE PEDAL	1
10	46515-KB9-000	TUBE , BRAKE PEDAL SPRING	1
11	90301-473-000	NUT,U 6MM	1
12	90502-KRY-930	WASHER , BRAKE ROD	1
13	90505-425-000	WASHER, 8 MM	1
14	92811-10000	BOLT A BRAKE STOPPER	1
15	94001-08000-0S	NUT, HEX., 8 MM	1
16	94201-20150	PIN, SPLIT, 2.0 X 15	1
17	43456-KSP-900	SPRING BRAKE ROD	1
18	43455-KSP-900	JOINT BRAKE ARM	1
19	43459-KSP-900	NUT RR. BRK. ADJUST	1
20	95701-06035-00	BOLT, FLANGE, 6X35	1

F-8-W/O
REAR BRAKE PANEL

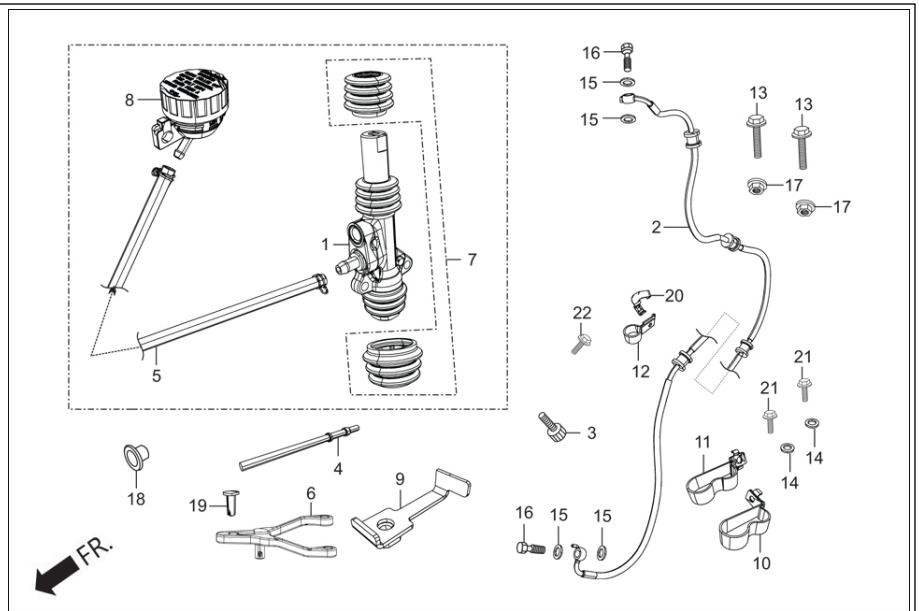


Service Item	F.R.T.
*PANEL COMP., RR. BRAKE	0.5
*SHOE COMP., BRAKE	0.4
(ONE OR ALL)	--
*ARM, RR. BRAKE	0.1
(INC. RELATIVE PART)	--

Group Number: F-8-W/O Model :: Ignitor 125 i3S EURO III (JUL, 2020)

Ref No.	Part Number	Description	Req.
1	43100-KTR-700	PANEL COMP., RR. BRAKE	1
2	45125-AAH-F0099	SHOE COMP BRAKE	2
3	43141-KTC-900	CAM, REAR BRAKE	1
4A	43410-KCT-690	ARM, REAR BRAKE	1
5	43434-286-000	RUBBER, STOPPER ARM CUSHION	1
6	45133-KCC-900	SPRING, FR. BRAKE SHOE	2
7	45134-250-000	DUST SEAL, BRAKE CAM	1
8	45145-KFM-900	INDICATOR, FR. BRK	1
9	46514-KCC-900	SPRING , BRAKE PEDAL	1
10	46515-KB9-000	TUBE , BRAKE PEDAL SPRING	1
11	90301-473-000	NUT,U 6MM	1
12	90502-198-900	WASHER , BRAKE ROD	1
13	90505-425-000	WASHER, 8 MM	1
14	92811-10000	BOLT A BRAKE STOPPER	1
15	94001-08000-0S	NUT, HEX., 8 MM	1
16	94201-20150	PIN, SPLIT, 2.0 X 15	1
17	95014-73100	SPRING A BRAKE ROD	1
18	95015-32001	JOINT B BRAKE ARM	1
19	95015-42000	NUT B ADJUST	1
20	95701-06035-00	BOLT, FLANGE, 6X35	1

F-8A-IBS
REAR BRAKE (ACTUATOR ASSY.)

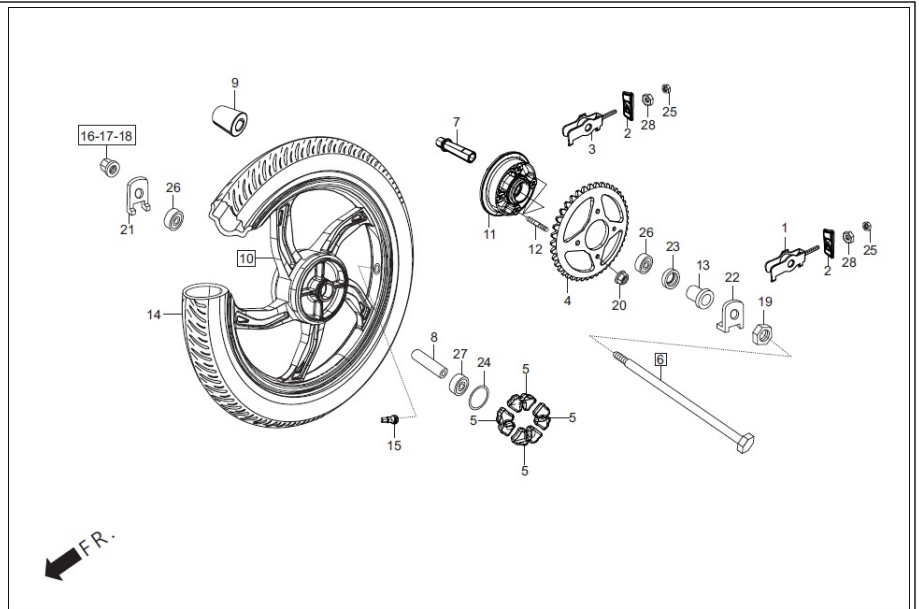


Service Item	F.R.T.
*PANEL COMP., RR. BRAKE	0.5
*SHOE COMP., BRAKE (ONE OR ALL)	--
*ARM, RR. BRAKE (INC. RELATIVE PART)	--

Group Number: F-8A-IBS Model :: Ignitor 125 i3S EURO III (JUL, 2020)

Ref No.	Part Number	Description	Req.
1	43540-AAN-E00	ACTUATOR, CBS	1
2	4311A-AAN-G00	STEEL BRAIDED HOSE ASSY	1
3	96700-06018-00	SOCKET, BOLT, 6 X 18	1
4	43447-AAN-E00	ROD COMP., RR BRAKE	1
5	43510-AAN-G00	HOSE KIT,ACTUATOR	1
6	4344A-AAN-G00	U CLAMP ASSY	1
7	43539-AAN-E00	BOOT SET	1
8	43550-AAN-E00	RESERVOIR COMP., RR	1
9	43551-AAN-E00	BRACKET, RESERVOIR	1
10	45156-AAN-E00	CLAMPER, FR. BRAKE	1
11	45155-AAN-E00	CLAMPER, A FR. BRAKE	1
12	45156-AAN-G00	CLAMPER, CBS	1
13	95701-AAN-E00	BOLT FLANGE 6X22	2
14	90502-KRY-930	WASHER , BRAKE ROD	2
15	90545-300-000	WASHER ,OIL BOLT	4
16	90145-MS9-610	OIL BOLT, 10 X 22	2
17	90302-KTE-911	NUT FLANGE PT 6MM	2
18	90501-KCC-870	COLLAR, FR. FENDER SET	1
19	95015-AAN-G00	PIN A, LINK	1
20	45156-AAN-G000-20	PLATE, CLAMPER	1
21	95701-06012-07	BOLT, FLANGE, 6X12	2
22	95701-06014-00	BOLT, FLANGE, 6 X 14	1

F-9 REAR WHEEL

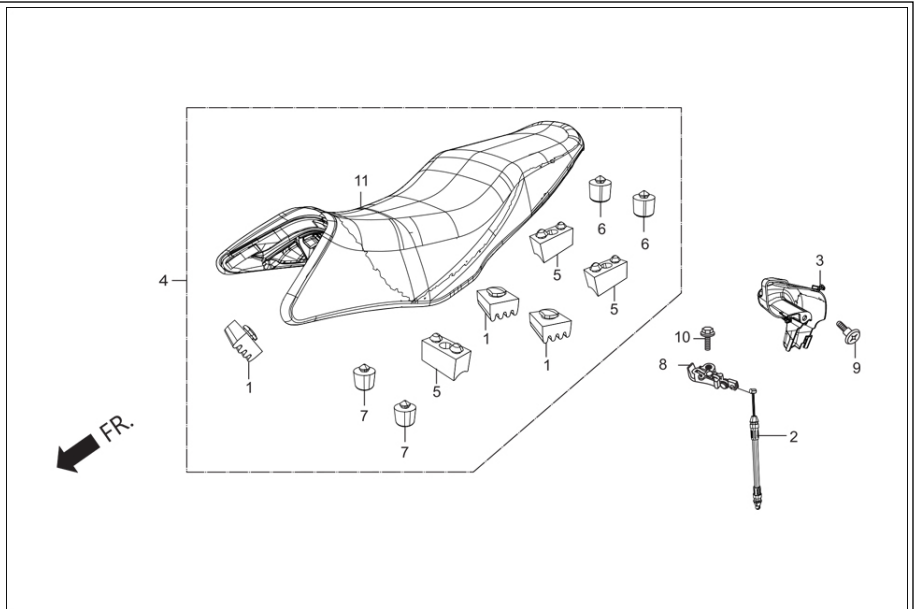


Service Item	F.R.T.
*AXLE, REAR WHEEL	0.2
* SPROCKET FINAL DRIVEN (43T)	0.7
*DAMPER, RR. WHEEL	0.4
(ONE OR ALL)	--
*COLLAR, RR. AXLE DISTANCE	--
*BEARING, RADIAL BALL, 6301U (ADD FOR EACH)	01U
*SLEEVE, RR. WHEEL	0.5
*FLANGE, FINAL DRIVEN	0.8
*TYRE, RR.	0.9
*BEARING, RADIAL BALL, 6203	0.6

Group Number: F-9 Model :: Ignitor 125 i3S EURO III (JUL, 2020)

Ref No.	Part Number	Description	Req.
1	40543-KTR-900	ADJUSTER COMP., L CHAIN	1
2	40546-KPG-T00	CAP SWINGARM, END	2
3	40546-KTR-900	ADJUSTER COMP., R CHAIN	1
4	41201-AAJ-H00	SPROCKET, FINAL DRIVEN (44T)	1
5	41241-AAN-410	DAMPER, REAR WHEEL	4
6	42301-KTR-700	AXLE, REAR WHEEL	1
7	42303-KTR-900	SLEEVE, REAR WHEEL	1
8	42304-KTC-900	COLLAR, RR.AXLE SLEEVE	1
9	42313-198-900	COLLAR, RR. BRAKE PANEL SIDE	1
10	42601-AAN-411	WHEEL COMP. REAR	1
11	42611-KTC-900	FLANGE, FINAL DRIVEN	1
12	42615-198-900	BOLT, STUD., 8 X 42	4
13	42620-KTR-700	COLLAR, REAR AXLE DISTANCE	1
14	42711-AAN-41099	TIRE REAR	1
15	42753-KWF-901	RIM, VALVE	1
16	90306-KF0-000	NUT, FLANGE, 12 MM	1
17	90306-KST-942	NUT, CASTLE, 12 MM	1
18	90306-KTE-911	NUT, CASTLE, 12 MM	1
19	90307-001-000	NUT ,RR. AXLE SLEEVE	1
20	90308-KWA-941	NUT, PT. 8 MM	4
21	90558-KTR-900	WASHER, RR AXLE (RIGHT)	1
22	90559-KTR-900	WASHER, RR AXLE (LEFT)	1
23	90753-029-000	OIL SEAL, 27 X 40 X 6	1
24	91304-704-000	O-RING 42 MM	1
25	94001-06000-0S	NUT, HEX., 6 MM	2
26	96140-63010-10	BEARING, RADIAL BALL, 6301U	2
27	96150-62030-10	BEARING, BALL RADIAL, 6203 (UU)	1
28	90302-KBP-900	NUT SPL 6 MM	2

F-10
SEAT ASSY. DOUBLE

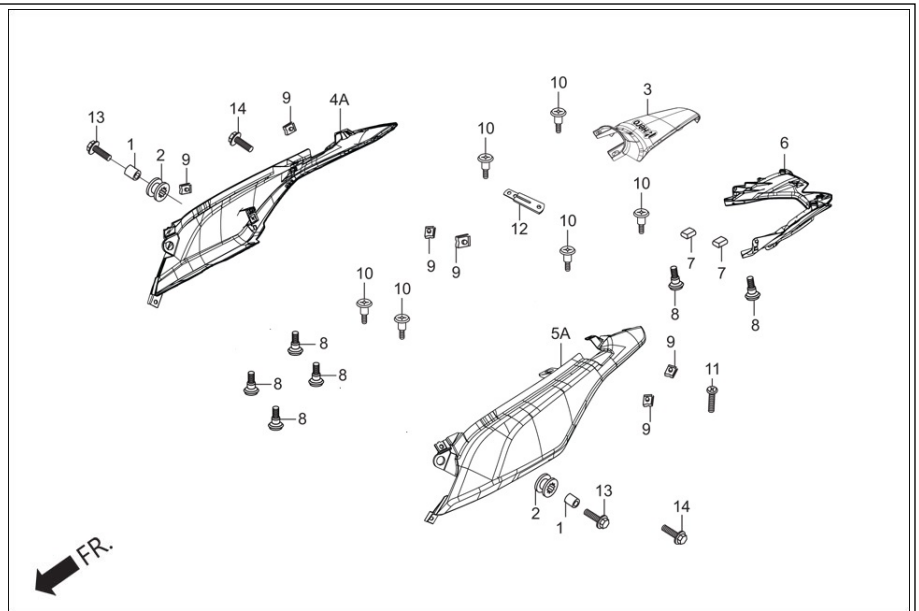


Service Item	F.R.T.
*SEAT ASSY., DOUBLE	0.1
*SET, CENTER RR. COWL	--
*SET, RIGHT SIDE COWL	--
*SET, LEFT SIDE COWL	--
*PIPE ASSY., REAR GRIP.	0.2

Group Number: F-10 Model :: Ignitor 125 i3S EURO III (JUL, 2020)

Ref No.	Part Number	Description	Req.
1	50524-001-000	RUBBER, MAIN STAND STOPPER	3
2	77156-AAN-410	CABLE,SEAT LOCK	1
3	77160-AAN-410	COVER SEAT LOCK CABLE	1
4	77200-AAN-410	SEAT ASSY DOUBLE	1
5	77204-KCC-900	RUBBER, `A SEAT SETTING	3
6	77206-KCC-900	RUBBER, SEAT CUSHION	2
7	77206-KTR-900	RUBBER, SEAT CUSHION	2
8	77220-KY6-000	HOOK, SEAT CATCH	1
9	90101-087-720	SCREW, HEAD LIGHT SET	1
10	95701-06012-00	BOLT, FLANGE, 6X12	1
11	7720A-AAN-410	COVER , SEAT ASSY. DOUBLE	1

F-10A-IBS
BODY COVER

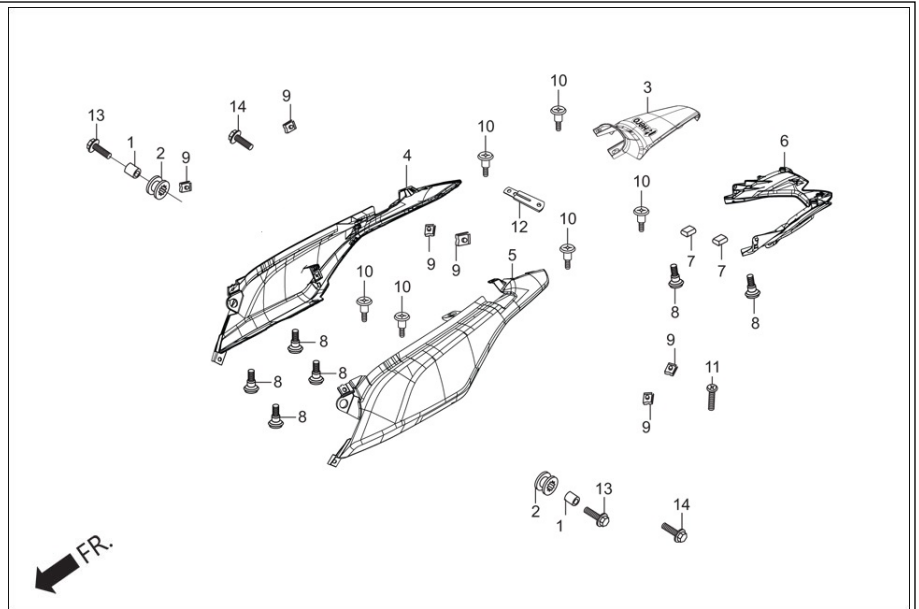


Service Item	F.R.T.
*SEAT ASSY., DOUBLE	0.1
*SET, CENTER RR. COWL	--
*SET, RIGHT SIDE COWL	--
*SET, LEFT SIDE COWL	--
*PIPE ASSY., REAR GRIP.	0.2

Group Number: F-10A-IBS Model :: Ignitor 125 i3S EURO III (JUL, 2020)

Ref No.	Part Number	Description	Req.
1	17509-398-960	COLLAR, TANK SET	2
2	77202-KCC-900	RUBBER, SEAT MOUNTING	2
3	77237-ACL-400U	SET CENTER RR COWL (MATT VERNIER GREY)	1
4A	77240-ACL-410U	SET R. SIDE COWL (MATT VERNIER GREY)	1
5A	77250-ACL-410U	SET L. SIDE COWL (MATT VERNIER GREY)	1
6	77266-AAN-410	COWL RR UNDER	1
7	77267-KTR-900	RUBBER, COWL	2
8	90101-GE0-000	SCREW, HINGE PATCH	6
9	90320-GC3-000	NUT, SPRING, M5	6
10	91509-GE2-760	SCREW, WASHER, 5 X 11.5	6
11	93903-34380	SCREW, TAPPING, 4X12	1
12	94591-27000	CLIP 2 X 70	1
13	95701-06025-07	BOLT FLANGE 6X25	2
14	95701-06022-00	BOLT, FLANGE, SH. 6 X 22	2

**F-10A-W/O
BODY COVER**

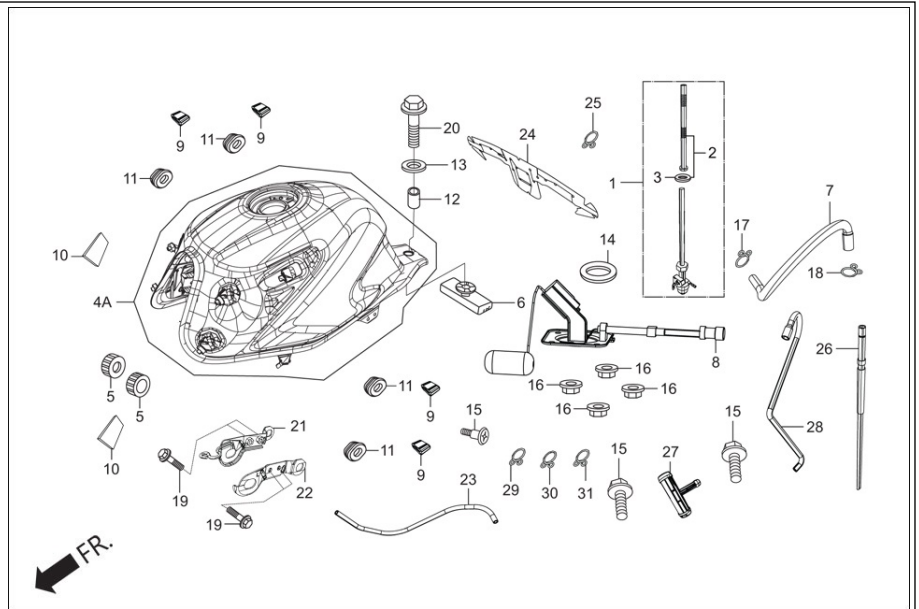


Service Item	F.R.T.
*SEAT ASSY., DOUBLE	0.1
*SET, CENTER RR. COWL	--
*SET, RIGHT SIDE COWL	--
*SET, LEFT SIDE COWL	--
*PIPE ASSY., REAR GRIP.	0.2

Group Number: F-10A-W/O Model :: Ignitor 125 i3S EURO III (JUL, 2020)

Ref No.	Part Number	Description	Req.
1	17509-398-960	COLLAR, TANK SET	2
2	77202-KCC-900	RUBBER, SEAT MOUNTING	2
3	77237-ACL-400R	SET CENTER RR COWL (PANTHER BLACK ME.)	1
	77237-ACL-400S	SET CENTER RR COWL (VIBRANT BLUE ME.)	1
	77237-ACL-400T	SET CENTER RR COWL (SPORTS RED)	1
4	77240-ACL-400R	SET R. SIDE COWL (PANTHER BLACK ME.)	1
	77240-ACL-400S	SET R. SIDE COWL (VIBRANT BLUE ME.)	1
	77240-ACL-400T	SET R. SIDE COWL (SPORTS RED)	1
5	77250-ACL-400R	SET L. SIDE COWL (PANTHER BLACK ME.)	1
	77250-ACL-400S	SET L. SIDE COWL (VIBRANT BLUE ME.)	1
	77250-ACL-400T	SET L. SIDE COWL (SPORTS RED)	1
6	77266-AAN-410	COWL RR UNDER	1
7	77267-KTR-900	RUBBER, COWL	2
8	90101-GE0-000	SCREW, HINGE PATCH	6
9	90320-GC3-000	NUT, SPRING, M5	6
10	91509-GE2-760	SCREW, WASHER, 5 X 11.5	6
11	93903-34380	SCREW, TAPPING, 4X12	1
12	94591-27000	CLIP 2 X 70	1
13	95701-06025-07	BOLT FLANGE 6X25	2
14	95701-06022-00	BOLT, FLANGE, SH. 6 X 22	2

F-11-IBS FUEL TANK

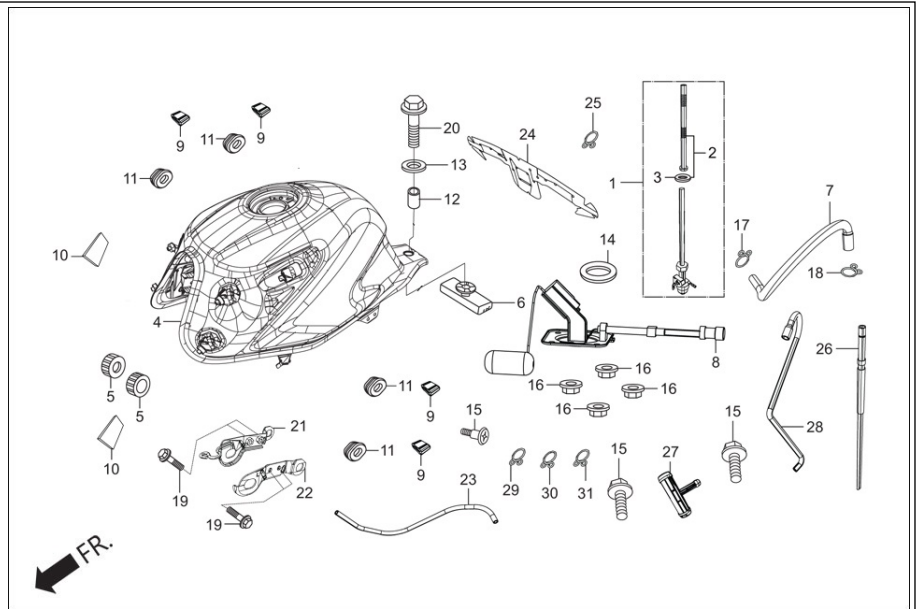


Service Item	F.R.T.
*COCK ASSY., FUEL	0.2
*SCREEN, FUEL STRAINER	--
*TANK SET, FUEL	0.3
*UNIT ASSY., FUEL	--

Group Number: F-11-IBS Model :: Ignitor 125 i3S EURO III (JUL, 2020)

Ref No.	Part Number	Description	Req.
1	16950-AAN-400099	COCK ASSY. FUEL	1
2	16952-AAN-410	SET, FUEL STRAINER SCREEN	1
3	16958-397-770	O-RING	1
4A	17520-ACL-410U	SET FUEL TANK (MATT VERNIER GREY)	1
5	17611-KRM-860	CUSHION, FR. FUEL TANK	2
6	17613-KCC-900	CUSHION, RR. TANK	1
7	17681-KTC-900	TUBE,FUEL	1
8	37800-AAN-410099	UNIT ASSY FUEL	1
9	77267-KTR-900	RUBBER, COWL	4
10	83407-KWA-830	CUSHION, FR. VISOR	2
11	83551-300-000	GROMMET, AIR CLEANER CASE	4
12	90324-KCC-900	COLLAR, 8 MM	1
13	90325-KCC-900	WASHER, PLAIN, 8 MM	1
14	91305-MC7-000	O-RING, 39.5 X 5	1
15	95701-06012-00	BOLT, FLANGE, 6X12	2
16	94050-06000	NUT, FLANGE, 6 MM	4
17	95002-02080	CLIP, TUBE	1
18	95002-02100	CLIP, B-10 TUBE	1
19	95701-06012-00	BOLT, FLANGE, 6X12	4
20	95701-08035-00	BOLT, FLANGE, 8 X 35	1
21	17554-AAN-410	STAY, SIDE COVER RH. ASSY.	1
22	17555-AAN-410	STAY, SIDE COVER LH. ASSY.	1
23	17371-AAN-D00	TUBE BREATHER	1
24	17506-AAN-410	TANK FILM PROTECTOR	1
25	95002-02130	CLIP B 12.5 TUBE	1
26	17199-AAN-410	TUBE DRAIN B	1
27	17230-AAN-410	JOINT 3 WAY,DRAIN	1
28	17682-AAN-410	TUBE DRAIN A	1
29	95002-02080	CLIP, TUBE	12
30	95002-02100	CLIP, B-10 TUBE	1
31	95002-02130	CLIP B 12.5 TUBE	1

F-11-W/O
FUEL TANK

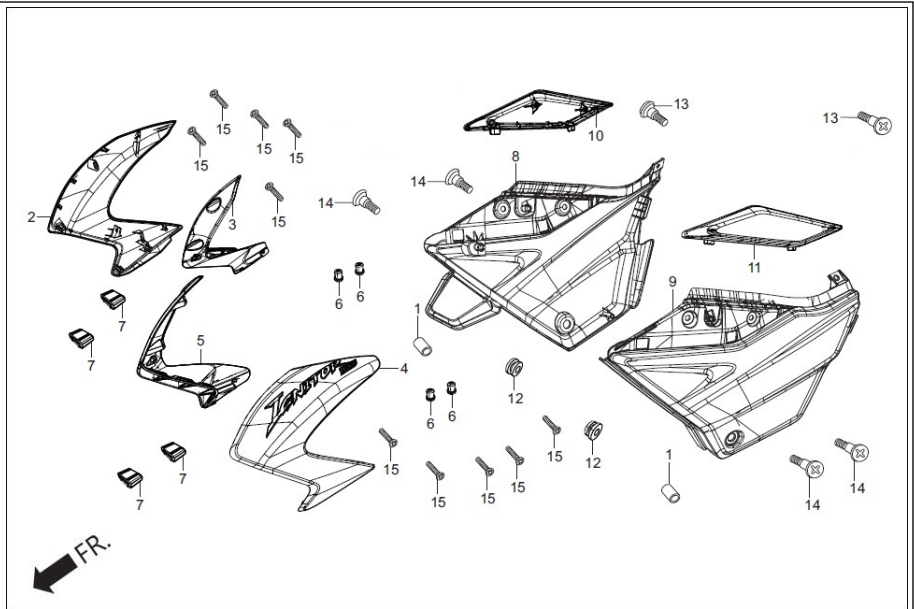


Service Item	F.R.T.
*COCK ASSY., FUEL	0.2
*SCREEN, FUEL STRAINER	--
*TANK SET, FUEL	0.3
*UNIT ASSY., FUEL	--

Group Number: F-11-W/O Model :: Ignitor 125 i3S EURO III (JUL, 2020)

Ref No.	Part Number	Description	Req.
1	16950-AAN-400099	COCK ASSY. FUEL	1
2	16952-AAN-410	SET, FUEL STRAINER SCREEN	1
3	16958-397-770	O-RING	1
4	17510-ACL-400R	TANK COMP FUEL (PANTHER BLACK ME.)	1
	17510-ACL-400S	TANK COMP FUEL (VIBRANT BLUE ME.)	1
	17510-ACL-400T	TANK COMP FUEL (SPORTS RED)	1
5	17611-KRM-860	CUSHION, FR. FUEL TANK	2
6	17613-KCC-900	CUSHION, RR. TANK	1
7	17681-KTC-900	TUBE,FUEL	1
8	37800-AAN-410099	UNIT ASSY FUEL	1
9	77267-KTR-900	RUBBER, COWL	4
10	83407-KWA-830	CUSHION, FR. VISOR	2
11	83551-300-000	GROMMET, AIR CLEANER CASE	4
12	90324-KCC-900	COLLAR, 8 MM	1
13	90325-KCC-900	WASHER, PLAIN, 8 MM	1
14	91305-MC7-000	O-RING, 39.5 X 5	1
15	95701-06012-00	BOLT, FLANGE, 6X12	2
16	94050-06000	NUT, FLANGE, 6 MM	4
17	95002-02080	CLIP, TUBE	1
18	95002-02100	CLIP, B-10 TUBE	1
19	95701-06012-00	BOLT, FLANGE, 6X12	4
20	95701-08035-00	BOLT, FLANGE, 8 X 35	1
21	17554-AAN-410	STAY, SIDE COVER RH. ASSY.	1
22	17555-AAN-410	STAY, SIDE COVER LH. ASSY.	1
23	17371-AAN-D00	TUBE BREATHER	1
24	17506-AAN-410	TANK FILM PROTECTOR	1
25	95002-02130	CLIP B 12.5 TUBE	1
26	17199-AAN-410	TUBE DRAIN B	1
27	17230-AAN-410	JOINT 3 WAY,DRAIN	1
28	17682-AAN-410	TUBE DRAIN A	1
29	95002-02080	CLIP, TUBE	12
30	95002-02100	CLIP, B-10 TUBE	1
31	95002-02130	CLIP B 12.5 TUBE	1

F-12-IBS
SIDE COVER

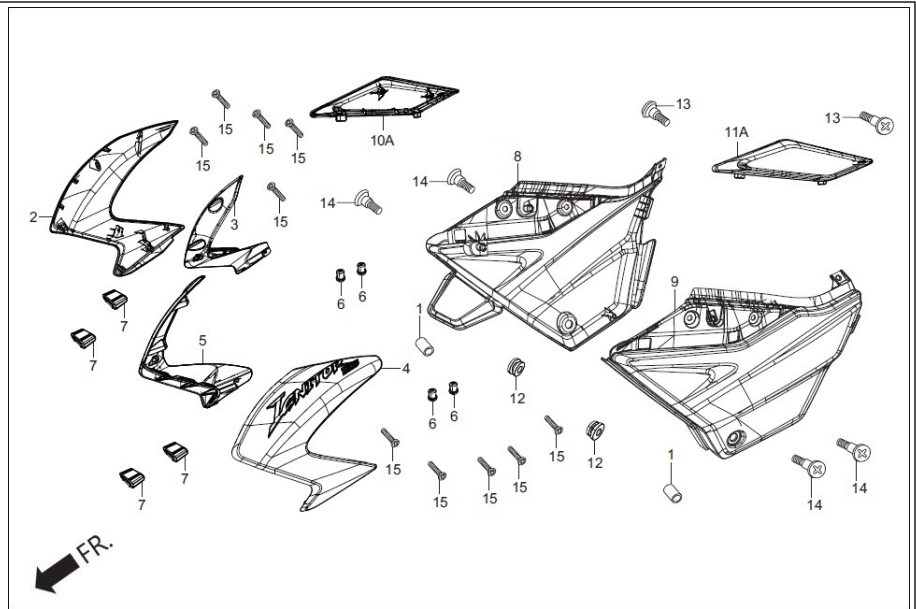


Service Item	F.R.T.
*SET, RIGHT SIDE COVER	0.1
*SET, LEFT SIDE COVER	0.1

Group Number: F-12-IBS Model :: Ignitor 125 i3S EURO III (JUL, 2020)

Ref No.	Part Number	Description	Req.
1	19052-KV0-000	COLLAR, RADIATOR MTG	2
2	50261-ACL-400U	SET R FRONT COWL (MATT VERNIER GREY)	1
3	50265-AAN-410	FT INNER COWL RH	1
4	50271-ACL-400U	SET L FRONT COWL (MATT VERNIER GREY)	1
5	50275-AAN-410	FT INNER COWL LH	1
6	61312-149-300	BOOT, HEADLIGHT BRACKET	4
7	77267-KTR-900	RUBBER, COWL	4
8	83500-ACL-400U	SET R SIDE COVER (MATT VERNIER GREY)	1
9	83600-ACL-400U	SET L SIDE COVER (MATT VERNIER GREY)	1
10	83505-ACL-410U	SET R COVER FR. (MATT VERNIER GREY)	1
11	83605-ACL-410U	SET L COVER FR. (MATT VERNIER GREY)	1
12	83545-KVN-900	RUBBER, SIDE COVER	2
13	90105-KVN-900	BOLT, SPECIAL 6 X 22	2
14	90109-SB6-000	SCREW, TRUSS, 5X14	4
15	93903-24380	SCREW TAPPING, 4 X 12	10

**F-12-W/O
SIDE COVER**

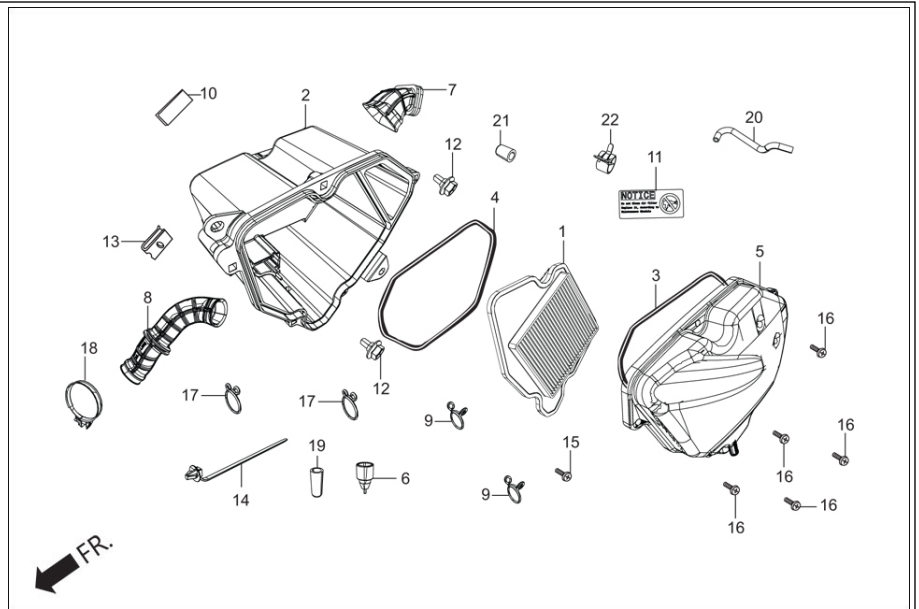


Service Item	F.R.T.
*SET, RIGHT SIDE COVER	0.1
*SET, LEFT SIDE COVER	0.1

Group Number: F-12-W/O Model :: Ignitor 125 i3S EURO III (JUL, 2020)

Ref No.	Part Number	Description	Req.
1	19052-KV0-000	COLLAR, RADIATOR MTG	2
2	50261-ACL-400R	SET R FRONT COWL (PANTHER BLACK ME.)	1
	50261-ACL-400S	SET R FRONT COWL (VIBRANT BLUE ME.)	1
	50261-ACL-400T	SET R FRONT COWL (SPORTS RED)	1
3	50265-AAN-410	FT INNER COWL RH	1
4	50271-ACL-400R	SET L FRONT COWL (PANTHER BLACK ME.)	1
	50271-ACL-400S	SET L FRONT COWL (VIBRANT BLUE ME.)	1
	50271-ACL-400T	SET L FRONT COWL (SPORTS RED)	1
5	50275-AAN-410	FT INNER COWL LH	1
6	61312-149-300	BOOT, HEADLIGHT BRACKET	4
7	77267-KTR-900	RUBBER, COWL	4
8	83500-ACL-400R	SET R SIDE COVER (PANTHER BLACK ME.)	1
	83500-ACL-400S	SET R SIDE COVER (VIBRANT BLUE ME.)	1
	83500-ACL-400T	SET R SIDE COVER (SPORTS RED)	1
9	83600-ACL-400R	SET L SIDE COVER (PANTHER BLACK ME.)	1
	83600-ACL-400S	SET L SIDE COVER (VIBRANT BLUE ME.)	1
	83600-ACL-400T	SET L SIDE COVER (SPORTS RED)	1
10A	83098-AAN-410R	COVER FRONT RH ((PANTHER BLACK ME)	1
11A	83099-AAN-410R	COVER FRONT LH ((PANTHER BLACK ME)	1
12	83545-KVN-900	RUBBER, SIDE COVER	2
13	90105-KVN-900	BOLT, SPECIAL 6 X 22	2
14	90109-SB6-000	SCREW, TRUSS, 5X14	4
15	93903-24380	SCREW TAPPING, 4 X 12	10

F-13 AIR CLEANER

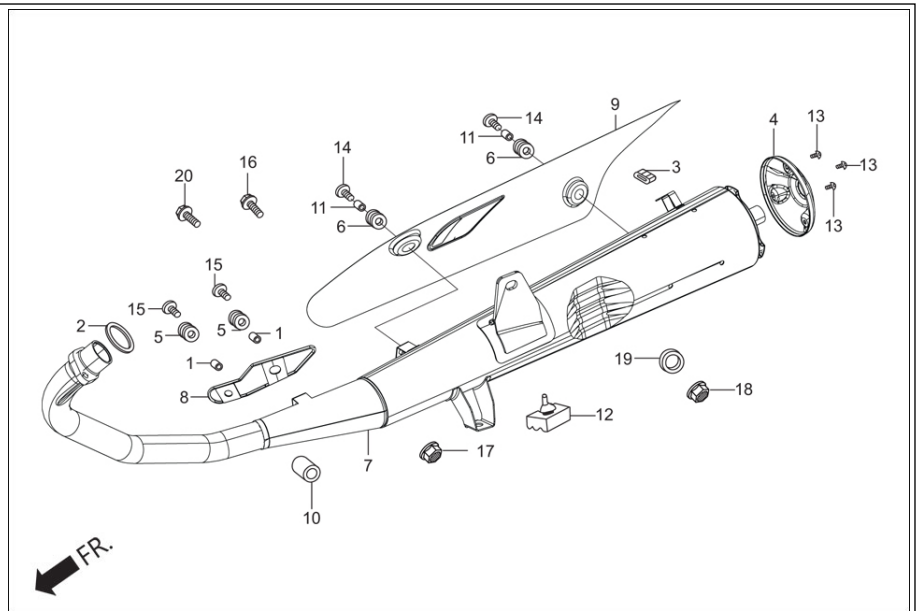


Service Item	F.R.T.
*CASE, SUB ASSY. AIR/C	0.3
*ELEMENT, AIR/C	0.2
*HOLDER, ELEMENT	--
*COVER SUB ASSY. AIR/C	--
* DUCT, AIR/C INLET	--
*TUBE, AIR/C CONN	--
*BAND, BATTERY	--

Group Number: F-13 **Model ::** Ignitor 125 i3S EURO III (JUL, 2020)

Ref No.	Part Number	Description	Req.
1	17208-AAT-000	HOLDER COMP ELEMENT	1
2	17210-AAN-410	CASE AIR/C	1
3	17218-AAT-000	SEAL AIR CLEANER CASE	1
4	17219-KTC-900	SEAL, A/I CLEANER	1
5	17220-AAT-000	COVER AIR/C CASE	1
6	17234-KCC-940	TUBE AIR CLEANER DRAIN	1
7	17251-AAN-410	DUCT AIR/C INLET	1
8	17253-AAN-410	TUBE AIR/C CONN.	1
9	17369-198-770	CLIP BREATHER TUBE	2
10	83407-KTR-940	RUBBER, BATTERY	1
11	87509-AAP-000	LABEL AIR/C ELEMENT NOTICE	1
12	90111-187-000	BOLT, FLANGE. 6 MM	2
13	90311-MT3-000	NUT, CLIP, 6 MM	1
14	91540-AAN-410	CLIP, BAND HARN	1
15	93500-04025-0G	SCREW, PAN, 4X25	1
16	93893-05025-00	SCREW WASHER 5X25	5
17	95002-80000	CLIP,C12 TUBE	2
18	95018-50250	BAND 50 AIR/C CONN.TUBE	1
19	17227-ABA-000	V.TUBE 11X15X40	1
20	17371-AAN-410	TUBE BREATHER	1
21	18651-KST-900	PLUG,AIR/C	1
22	91406-KFN-850	CLAMP, D14.5 TUBE	1

F-14 MUFFLER

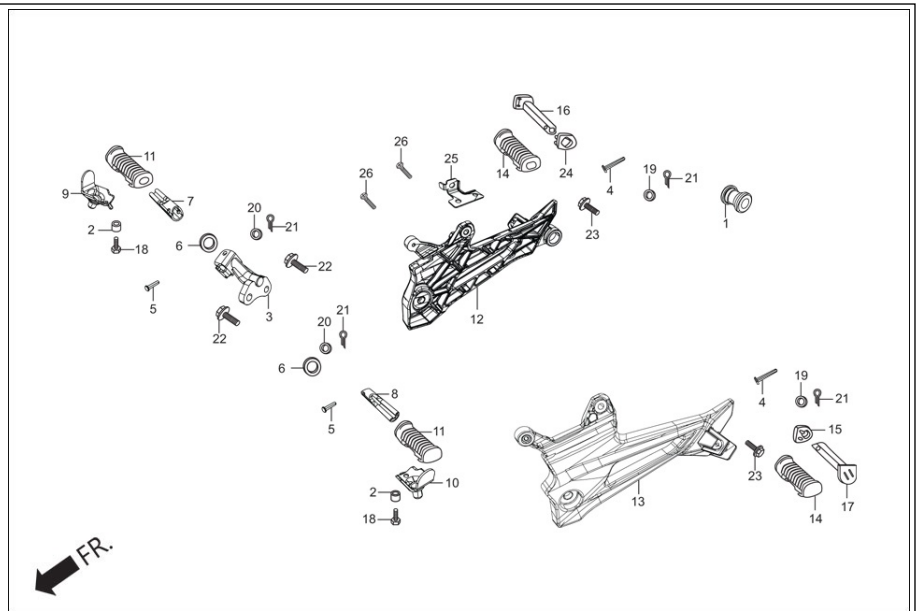


Service Item	F.R.T.
*COVER, EX. PIPE.	0.1
*GASKET, EX. PIPE	--
*GUIDE, TUBE	0.2
*MUFFLER COMP., EX.	0.3

Group Number: F-14 Model :: Ignitor 125 i3S EURO III (JUL, 2020)

Ref No.	Part Number	Description	Req.
1	17221-KA4-300	COLLAR CONN TUBE	2
2	18291-AAT-000	GASKET EX PIPE	1
3	18293-KPK-900	RUBBER, PKG. PROTECTOR	1
4	18340-AAN-410	COVER TAIL CAP	1
5	18345-KST-940	RUBBER PROTECTOR	2
6	18345-MBT-610	RUBBER, PROTECTOR, MOUNT	2
7	18350-AAN-F00	MUFFLER COMP. EXH	1
8	18351-AAN-410	COVER EXHAUST PIPE	1
9	18355-AAN-410	COVER MUFFLER	1
10	18442-KRC-900	COLLAR, MUFFLER MOUNT	1
11	33619-459-840A	COLLAR, WINKER STAY	2
12	50505-KCC-900	STOPPER RUBBER, A STAND	1
13	90101-KTR-900	BOLT, SPECIAL 5X8	3
14	90107-KAN-900	BOLT, BODY COVER SET	2
15	90107-KST-940	SCREW MUFF. PROTECTOR MOUNT	2
16	95801-10055-00	BOLT, FLANGE, 10X55	1
17	94050-08000	NUT, FLANGE, 8MM	1
18	94050-10000	NUT, FLANGE, 10MM	1
19	94103-10000	WASHER, PLAIN, 10MM	2
20	95701-08016-00	BOLT, FLANGE, 8X16	1
21	90304-AAN-410	NUT SPECIAL 8 MM	2

**F-15-IBS
STEP ASSY.**

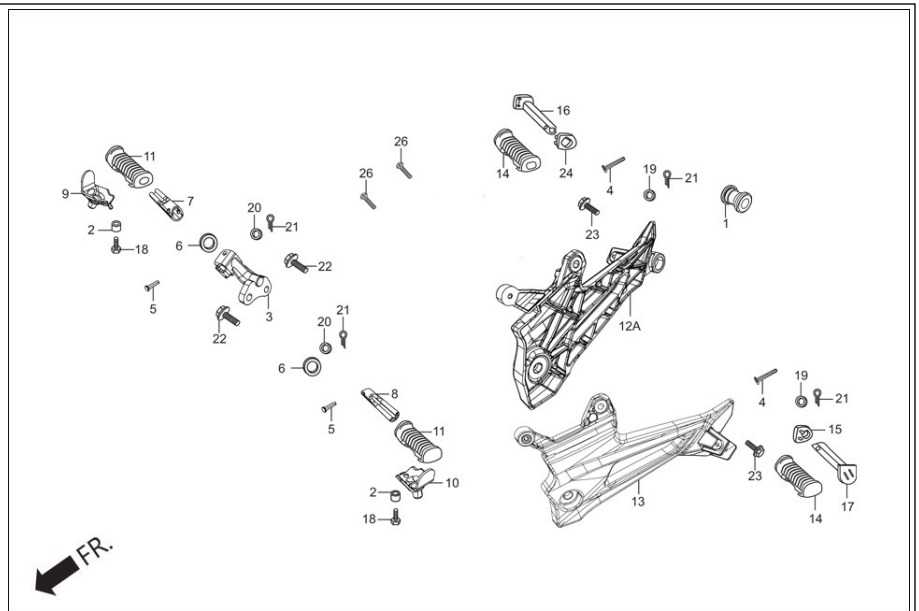


Service Item	F.R.T.
*PEDAL, GEAR CHANGE	0.1
*ARM ASSY., KICK STARTER	--
*BAR COMP., SIDE STAND	--
*BRACKET COMP., RIGHT/LEFT	--
PILLION STEP	--

Group Number: F-15-IBS Model :: Ignitor 125 i3S EURO III (JUL, 2020)

Ref No.	Part Number	Description	Req.
1	18421-438-670	RUBBER, MUFFLER MOUNT	1
2	37243-323-000	COLLAR , METER SET	2
3	50160-AAN-410	BRKT COMP R STEP	1
4	50603-AAN-410	PIN STEP BAR JOINT	2
5	50603-AAG-300	PIN MAIN STEP BAR JOINT	2
6	50614-413-000	WASHER, MAIN STEP	2
7	50618-AAG-300	BAR R STEP	1
8	50619-AAG-300	BAR L STEP	1
9	50620-KTC-900	STOPPER, R STEP RUBBER	1
10	50621-KTC-900	STOPPER, L RUBBER STEP	1
11	50661-425-670	RUBBER STEP	2
12	50701-AAN-E00	BRKT COMP R P STEP	1
13	50702-AAN-410	BRKT COM L P STEP	1
14	50710-461-770	RUBBER, STEP PILLION	2
15	50713-438-730	WASHER L PILLOIN STEP	1
16	50715-KCC-900	BAR R PILLION STEP	1
17	50718-KCC-900	BAR L PILLION STEP	1
18	92000-06016-0A	BOLT, HEX., 6 X 16	2
19	94101-06000	WASHER, PLAIN, 6 MM	2
20	94101-08000	WASHER, PLAIN, 8MM	2
21	94201-16150	PIN, SPLIT, 1.6 X 15	4
22	95701-10045-07	BOLT FLANGE, 10 X 45	2
23	95801-08035-00	BOLT FLANGE 8X35	2
24	50712-438-730	WASHER, R PILLON STEP	1
25	50252-AAN-E00	BRACKET RESERVOIR	1
26	93500-05008-1A	SCREW PAN 5X8	2

**F-15-W/O
STEP ASSY.**

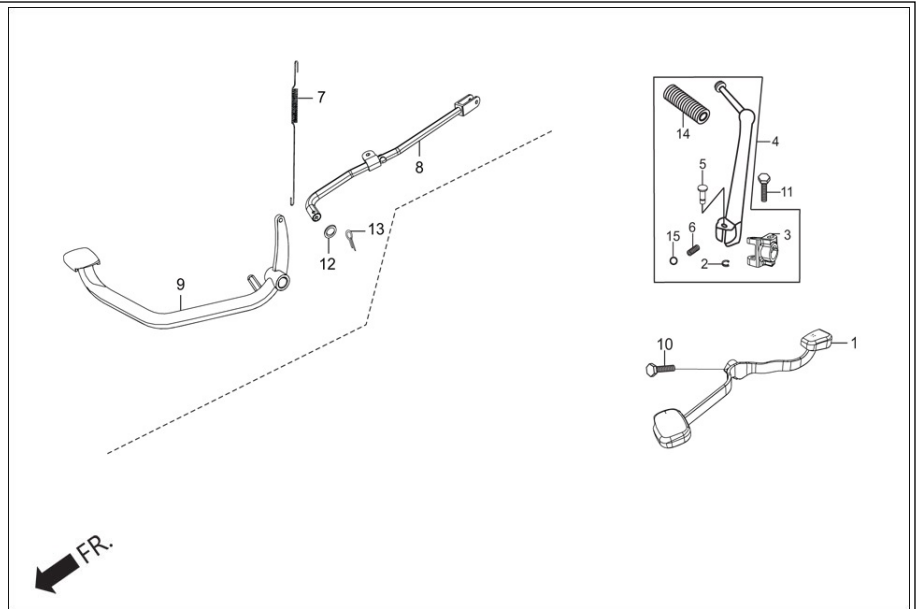


Service Item	F.R.T.
*PEDAL, GEAR CHANGE	0.1
*ARM ASSY., KICK STARTER	--
*BAR COMP., SIDE STAND	--
*BRACKET COMP., RIGHT/LEFT	--
PILLION STEP	--

Group Number: F-15-W/O Model :: Ignitor 125 i3S EURO III (JUL, 2020)

Ref No.	Part Number	Description	Req.
1	18421-438-670	RUBBER, MUFFLER MOUNT	1
2	37243-323-000	COLLAR , METER SET	2
3	50160-AAN-410	BRKT COMP R STEP	1
4	50603-AAN-410	PIN STEP BAR JOINT	2
5	50603-AAG-300	PIN MAIN STEP BAR JOINT	2
6	50614-413-000	WASHER, MAIN STEP	2
7	50618-AAG-300	BAR R STEP	1
8	50619-AAG-300	BAR L STEP	1
9	50620-KTC-900	STOPPER, R STEP RUBBER	1
10	50621-KTC-900	STOPPER, L RUBBER STEP	1
11	50661-425-670	RUBBER STEP	2
12A	50701-AAN-410	BRKT COMP R P STEP	1
13	50702-AAN-410	BRKT COMP L P STEP	1
14	50710-461-770	RUBBER, STEP PILLION	2
15	50713-438-730	WASHER L PILLOIN STEP	1
16	50715-KCC-900	BAR R PILLION STEP	1
17	50718-KCC-900	BAR L PILLION STEP	1
18	92000-06016-0A	BOLT, HEX., 6 X 16	2
19	94101-06000	WASHER, PLAIN, 6 MM	2
20	94101-08000	WASHER, PLAIN, 8MM	2
21	94201-16150	PIN, SPLIT, 1.6 X 15	4
22	95701-10045-07	BOLT FLANGE, 10 X 45	2
23	95801-08035-00	BOLT FLANGE 8X35	2
24	50712-438-730	WASHER, R PILLON STEP	1
26	93500-05008-1A	SCREW PAN 5X8	2

F-15A-IBS
 PEDAL GEAR CHANGE/KICK STARTER
 /PEDAL BRAKE

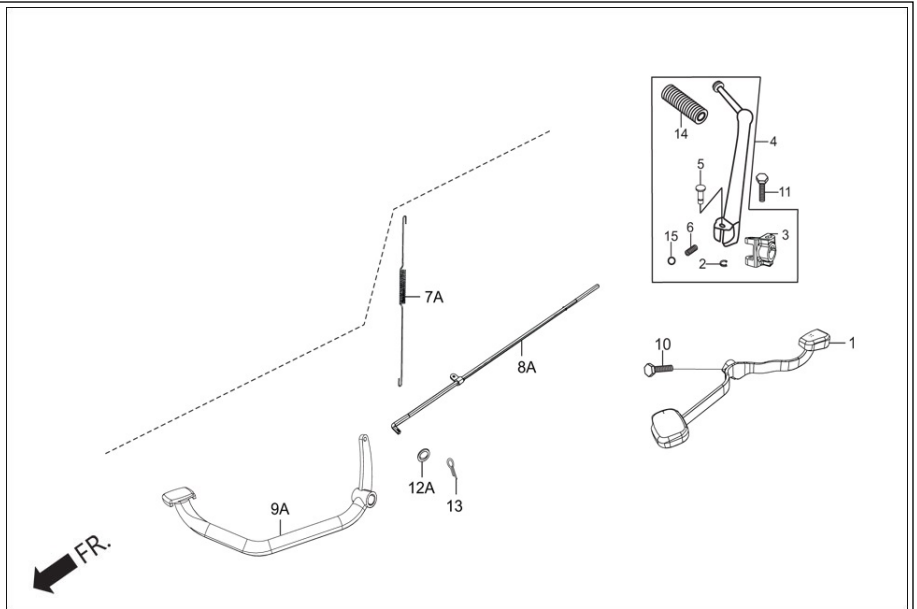


Service Item	F.R.T.
* PEDAL ASSY., GEAR CHANGE	0.1
* ARM ASSY., KICK STARTER	--
* JOINT, KICK ARM.	0.2
* STOPPER, KICK ARM	0.3
* SWITCH ASSY., RR. STOP	0.2
* ROD COMP., RR. BRAKE	0.3
* PEDAL, BRAKE	0.5

Group Number: F-15A-IBS Model :: Ignitor 125 i3S EURO III (JUL, 2020)

Ref No.	Part Number	Description	Req.
1	24701-AAN-410	PEDAL GEAR CHANGE	1
2	28293-KAG-900	CLIP, KICK STARTER	1
3	28302-KTR-840	JOINT KICK ARM	1
4	2830A-KTR-840	ARM ASSY. COMP. KICK STATER	1
5	28321-KTC-900	PIN, KICK STARTER	1
6	28333-124-000	SPRING, KICK STARTER STOPPER	1
7	35357-AAN-J00	SPRING STOP SWITCH	1
8	43441-AAN-E00	ROD COMP. RR. BRK	1
9	46500-AAN-E00	PEDAL BRAKE	1
10	92101-06020-0A	BOLT HEX.6X20	1
11	92101-08032-0A	BOLT HEX., 8 X 32	1
12	90502-KRY-930	WASHER , BRAKE ROD	1
13	94201-20150	PIN, SPLIT, 2.0 X 15	2
14	95011-51000	RUBBER, A KICK STARTER	1
15	96211-08000	BALL STEEL 8 MM	1

F-15A-W/O
PEDAL GEAR CHANGE/KICK STARTER
/PEDAL BRAKE

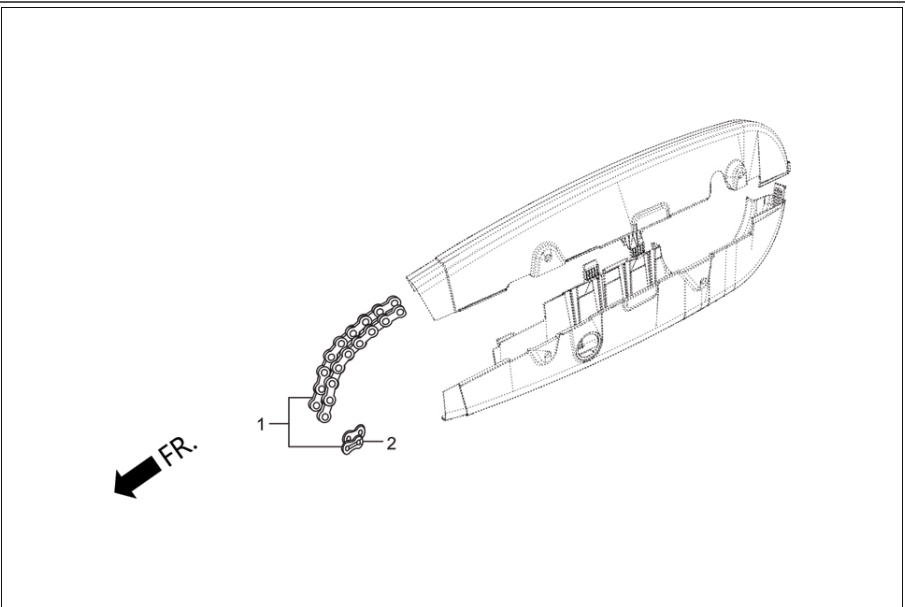


Service Item	F.R.T.
* PEDAL ASSY., GEAR CHANGE	0.1
* ARM ASSY., KICK STARTER	--
* JOINT, KICK ARM	0.2
* STOPPER, KICK ARM	0.3
* SWITCH ASSY., RR. STOP	0.2
* ROD COMP., RR. BRAKE	0.3
* PEDAL, BRAKE	0.5

Group Number: F-15A-W/O Model :: Ignitor 125 i3S EURO III (JUL, 2020)

Ref No.	Part Number	Description	Req.
1	24701-AAN-410	PEDAL GEAR CHANGE	1
2	28293-KAG-900	CLIP, KICK STARTER	1
3	28302-KTR-840	JOINT KICK ARM	1
4	2830A-KTR-840	ARM ASSY. COMP. KICK STATER	1
5	28321-KTC-900	PIN, KICK STARTER	1
6	28333-124-000	SPRING, KICK STARTER STOPPER	1
7A	35357-AAN-410	SPRING STOP SWITCH	1
8A	43451-AAN-410	ROD COMP. RR. BRK	1
9A	46500-AAN-410	PEDAL BRAKE	1
10	92101-06020-0A	BOLT HEX.6X20	1
11	92101-08032-0A	BOLT HEX., 8 X 32	1
12A	94103-05800	WASHER,PLAIN, 5.5MM	1
13	94201-20150	PIN, SPLIT, 2.0 X 15	2
14	95011-51000	RUBBER, A KICK STARTER	1
15	96211-08000	BALL STEEL 8 MM	1

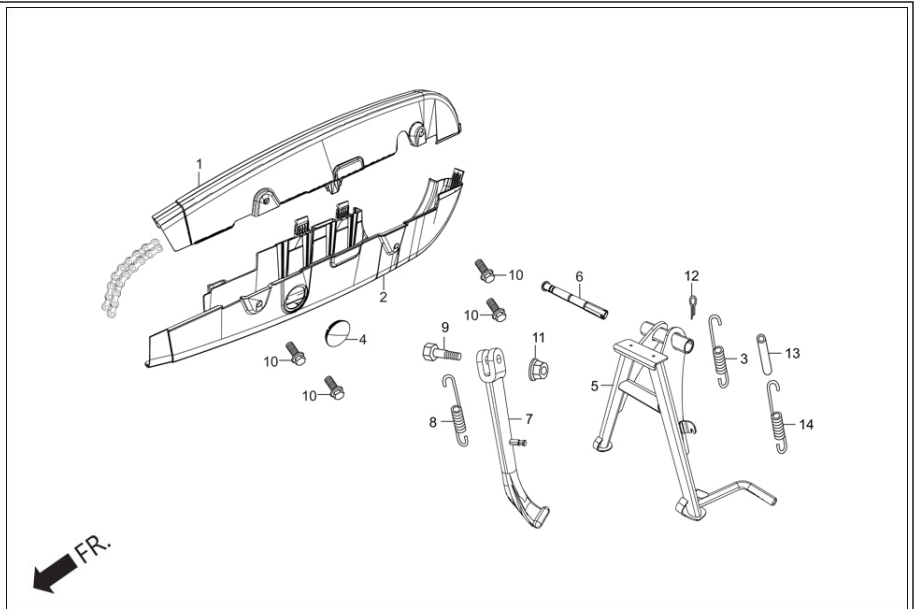
F-16
CHAIN DRIVE & DRIVE SHAFT



Service Item	F.R.T.
*CASE, UPPER (HALF) DRIVE CHAIN (ONE OR ALL)	0.1 --
*CHAIN, DRIVE	0.3
*ARM, RR BRAKE STOPPER	0.2
*SWINGARM, COMP. RR	0.7
*RUBBER BUSH, RR. FORK PIVOT	1.0
*SLIDER CHAIN	--

Group Number: F-16 Model :: Ignitor 125 i3S EURO III (JUL, 2020)			
Ref No.	Part Number	Description	Req.
1	40530-KCC-900	CHAIN, DRIVE (428-108)	1
2	40531-205-010	JOINT RJ, DRIVE CHAIN	1

F-16A
CHAIN CASE / STAND

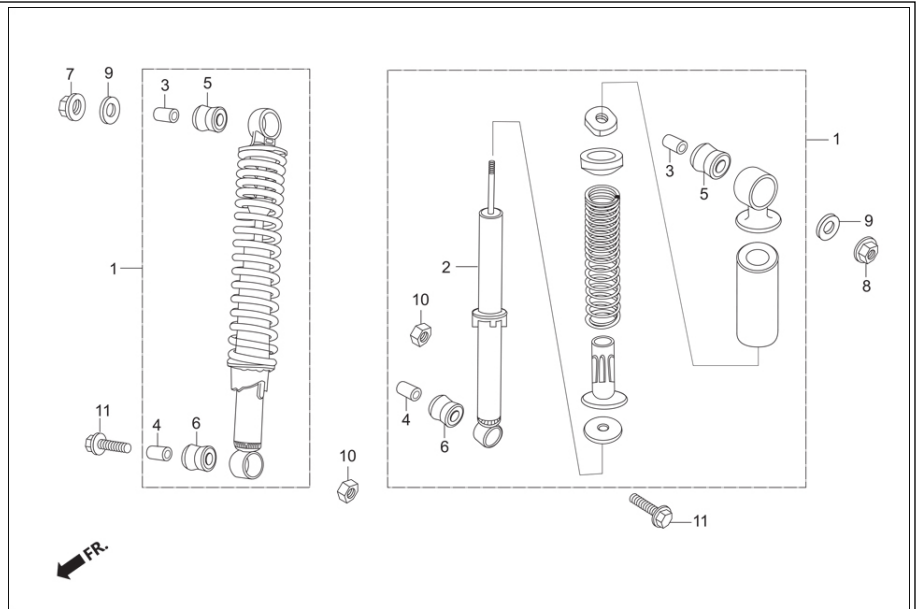


Service Item	F.R.T.
* CASE, UPPER (HALF) DRIVE CHAIN (ONE OR ALL)	0.1 --
* CHAIN, DRIVE.	0.3
* ARM, RR. BRAKE STOPPER	0.2
* SWINGARM, COMP. RR	0.7
* RUBBER BUSH, RR. FORK PIVOT	1.0
* SLIDER, CHAIN	--

Group Number: F-16A Model :: Ignitor 125 i3S EURO III (JUL, 2020)

Ref No.	Part Number	Description	Req.
1	40510-AAN-410	CASE UP HALF DRIVE CHAIN	1
2	4052A-AAN-410	CHAIN CASE UND HALF SUB ASSY	1
3	50508-AAB-400	SPRING MAIN STAND 1	1
4	40545-ABA-000	CAP, CHAIN PEEP HOLE	1
5	50500-KTR-A00	STAND COMP.MAIN	1
6	50512-KTC-900	PIPE, RR. BRAKE PIVOT	1
7	50530-KST-940	BAR COMP., SIDE STAND	1
8	95014-72302	SPRING, C SIDE STAND	1
9	90108-223-000	SCREW ,SIDE STAND PIVOT	1
10	90111-ABA-000	BOLT, FLANGE, 6MM	4
11	94030-10000	NUT HEX., 10MM	1
12	94201-30250	PIN, SPLIT, 3.0 X 25	1
13	50507-AAB-400	TUBE MAIN STAND SPRING 1	1
14	50509-AAB-400	SPRING MAIN STAND 2	1

F-17 REAR CUSHION

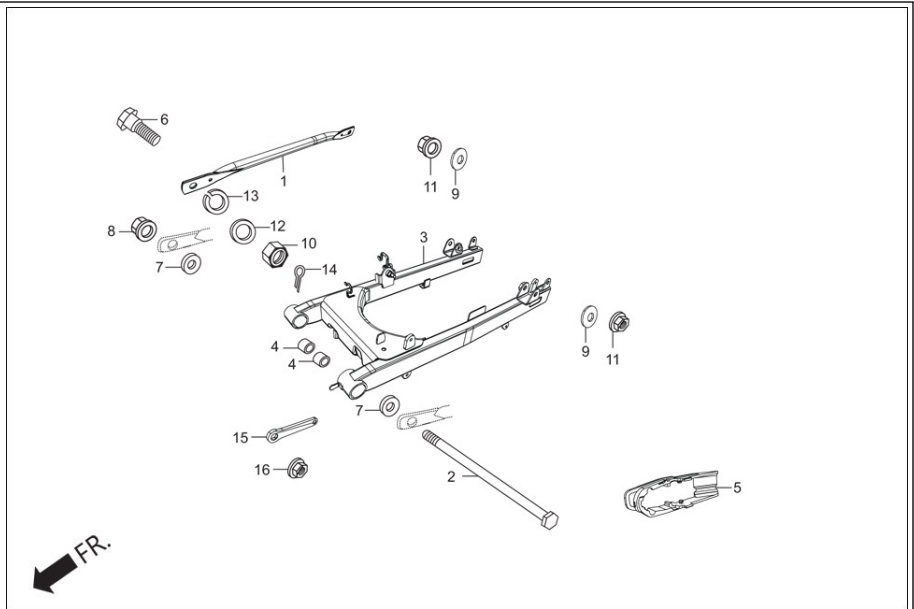


Service Item	F.R.T.
*CUSHION ASSY., REAR (ONE OR ALL)	0.2 --
*DAMPER COMP., REAR (ADD FOR EACH)	0.4 --

Group Number: F-17 Model :: Ignitor 125 i3S EURO III (JUL, 2020)

Ref No.	Part Number	Description	Req.
1	52400-KTR-841	CUSHION ASSY., REAR	2
2	52410-KTR-901	DAMPER COMP. , REAR	1
3	52486-056-000	COLLAR, RUBBER BUSH (UPPER)	1
4	52486-KAG-900	COLLAR ,RUBBER BUSH (UNDER)	1
5	52489-399-600	BUSH ,RUBBER (UPPER)	1
6	52495-098-000	BUSH, RUBBER (UNDER)	1
7	90306-KST-942	NUT, CASTLE, 12 MM	1
8	90306-KTE-911	NUT, CASTLE, 12 MM	1
9	94101-12000	WASHER, PLAIN, 12MM	2
10	94002-10000-0S	NUT, HEX, 10MM	2
11	95801-10040-07	BOLT FLANGE, 10 X 40	2

F-17A-IBS
SWINGARM/CHAIN CASE

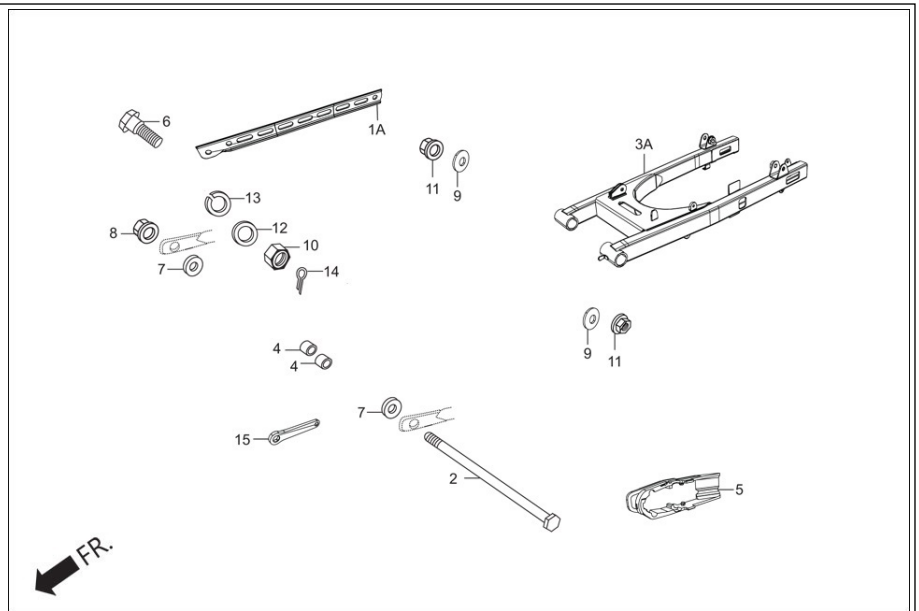


Service Item	F.R.T.
*CASE, UPPER (HALF) DRIVE CHAIN (ONE OR ALL)	0.1 --
*CHAIN, DRIVE	0.3
*ARM, RR BRAKE STOPPER	0.2
*SWINGARM, COMP. RR	0.7
*RUBBER BUSH, RR. FORK PIVOT	1.0
*SLIDER CHAIN	--

Group Number: F-17A-IBS Model :: Ignitor 125 i3S EURO III (JUL, 2020)

Ref No.	Part Number	Description	Req.
1	43431-AAN-E00	ARM REAR BRAKE STOPPER	1
2	52101-AAN-410	BOLT, SWINGARM PIVOT	1
3	52110-AAN-E00	SWINGARM COMP., RR	1
4	52147-KTC-900	RUBBER BUSH, RR. FORK PIVOT	2
5	52170-KTR-900	SLIDER, CHAIN	1
6	90133-331-770	BOLT, HEX., 8MM	1
7	90183-KTC-900	WASHER, SPL., 12 MM	2
8	90306-KF0-000	NUT, FLANGE, 12 MM	1
9	90551-178-000	WASHER, SPL., 10MM	2
10	94001-08000-0S	NUT, HEX., 8 MM	1
11	94050-10000	NUT, FLANGE, 10MM	2
12	94101-08000	WASHER, PLAIN, 8MM	1
13	94111-10000	WASHER, SPRING, 10MM	1
14	94201-20150	PIN, SPLIT, 2.0 X 15	1
15	52185-AAN-G00	LINK U-CLAMP	1
16	90302-KTE-911	NUT FLANGE PT 6MM	1

F-17A-W/O
SWINGARM/CHAIN CASE

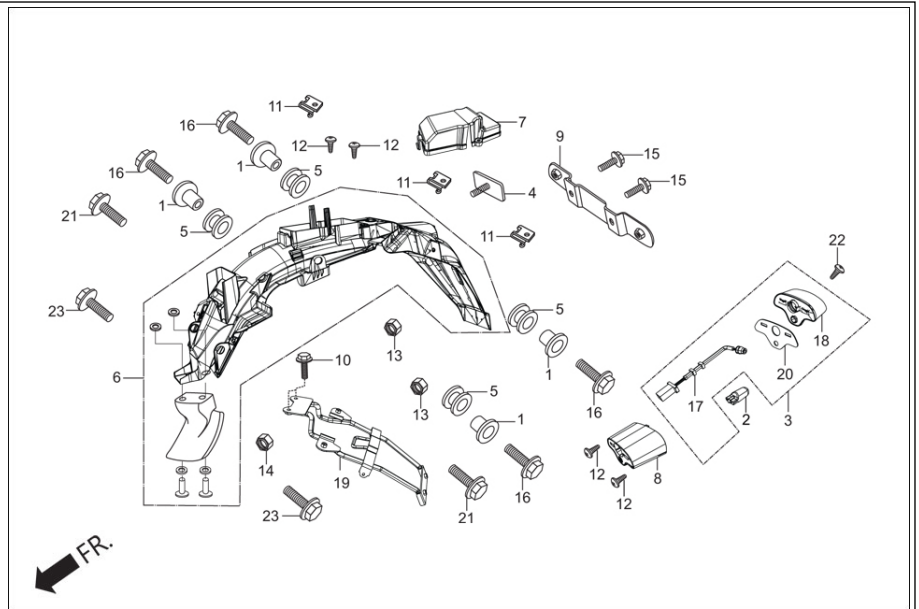


Service Item	F.R.T.
*CASE, UPPER (HALF) DRIVE CHAIN (ONE OR ALL)	0.1 --
*CHAIN, DRIVE	0.3
*ARM, RR BRAKE STOPPER	0.2
*SWINGARM, COMP. RR	0.7
*RUBBER BUSH, RR. FORK PIVOT	1.0
*SLIDER CHAIN	--

Group Number: F-17A-W/O Model :: Ignitor 125 i3S EURO III (JUL, 2020)

Ref No.	Part Number	Description	Req.
1A	43431-AAN-410	ARM REAR BRAKE STOPPER	1
2	52101-AAN-410	BOLT, SWINGARM PIVOT	1
3A	52110-AAN-410	SWINGARM COMP RR	1
4	52147-KTC-900	RUBBER BUSH, RR. FORK PIVOT	2
5	52170-KTR-900	SLIDER, CHAIN	1
6	90133-331-770	BOLT, HEX., 8MM	1
7	90183-KTC-900	WASHER, SPL., 12 MM	2
8	90306-KF0-000	NUT, FLANGE, 12 MM	1
9	90551-178-000	WASHER, SPL., 10MM	2
10	94001-08000-0S	NUT, HEX., 8 MM	1
11	94050-10000	NUT, FLANGE, 10MM	2
12	94101-08000	WASHER, PLAIN, 8MM	1
13	94111-10000	WASHER, SPRING, 10MM	1
14	94201-20150	PIN, SPLIT, 2.0 X 15	1
15	52185-AAN-G00	LINK U-CLAMP	1

F-18 REAR FENDER

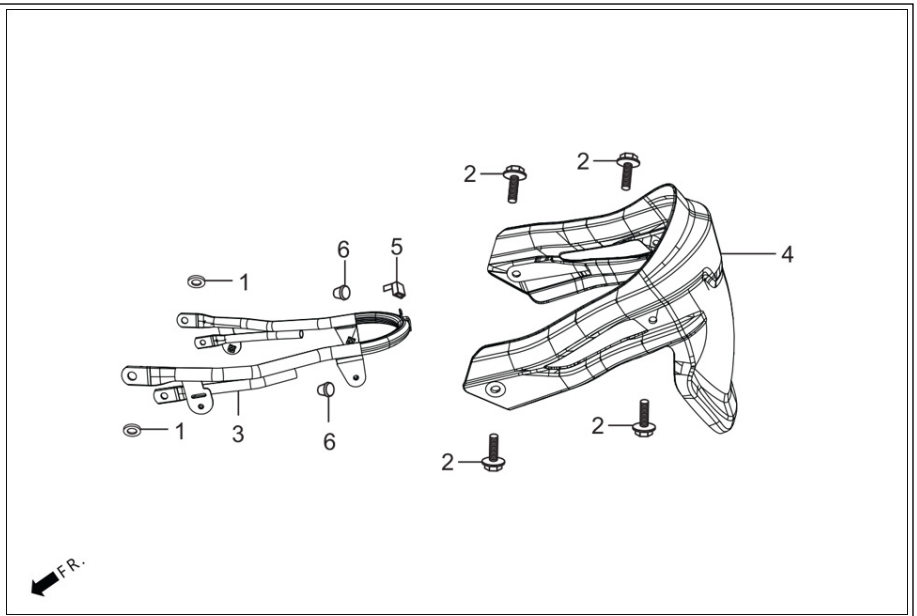


Service Item	F.R.T.
*FENDER COMP., REAR.	0.6
*BRACKET, RR. NO. PLATE	--
*PLATE, RR. WINKER	--

Group Number: F-18 Model :: Ignitor 125 i3S EURO III (JUL, 2020)

Ref No.	Part Number	Description	Req.
1	80111-KVN-900	COLLAR, RR. FENDER	4
2	34351-AAB-401	BULB (12VW5W) E MARK	1
3	3372B-AAN-D01	LIGHT ASSY LICENSE (W/O BULB)	1
4	33741-KST-920	REFLEX REFLECTOR	1
5	77202-KCC-900	RUBBER, SEAT MOUNTING	4
6	80100-AAN-410	FENDER COMP. REAR	1
7	80102-AAN-410	COVER TOOLBOX	1
8	80201-AAN-410	SPACER LICENSE PLATE LIGHT	1
9	84701-KCC-860	BRACKET, NUMBER PLATE	1
10	90111-187-000	BOLT, FLANGE. 6 MM	2
11	90320-GC3-000	NUT, SPRING, M5	3
12	93903-35380	SCREW TAPPING 5X16	4
13	94001-06000-0S	NUT, HEX., 6 MM	2
14	94002-06000-0S	NUT, HEX 6MM	1
15	95701-06012-00	BOLT, FLANGE, 6X12	2
16	95701-06020-00	BOLT, FLANGE, 6X20	4
17	33725-AAN-D01	SOCKET COMP.	1
18	33726-AAN-D01	COVER COMP.	1
19	50186-AAN-410	STAY COMP. RR. WINKER	1
20	33729-AAN-401	PACKING	1
21	95701-06016-00	BOLT, FLANGE, 6X16	1
22	90102-GB2-720	SCREW, PAN, 5X16	1
23	95701-08016-07	BOLT FLANGE, 8 X 16	2

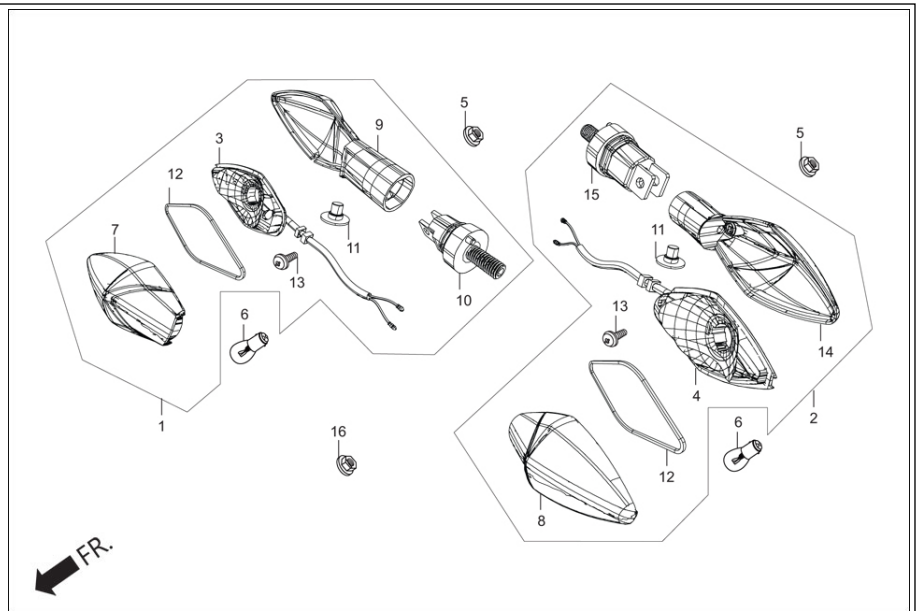
F-18A
HUGGER FENDER



Service Item	F.R.T.
*FENDER COMP., REAR.	0.6
*BRACKET, RR. NO. PLATE	--
*PLATE, RR. WINKER	--

Group Number: F-18A Model :: Ignitor 125 i3S EURO III (JUL, 2020)			
Ref No.	Part Number	Description	Req.
1	94101-10000	WASHER, PLAIN, 10 MM	2
2	90111-KPL-900	BOLT, INNER COVER	4
3	52106-AAN-410	STAY HUGGER FENDER	1
4	80350-ABA-000	RR HUGGER FENDER	1
5	83502-KCC-900	GROMMET, SIDE COVER	1
6	51106-KCC-900	CAP, GUARD SARI	2

F-19
FR WINKER

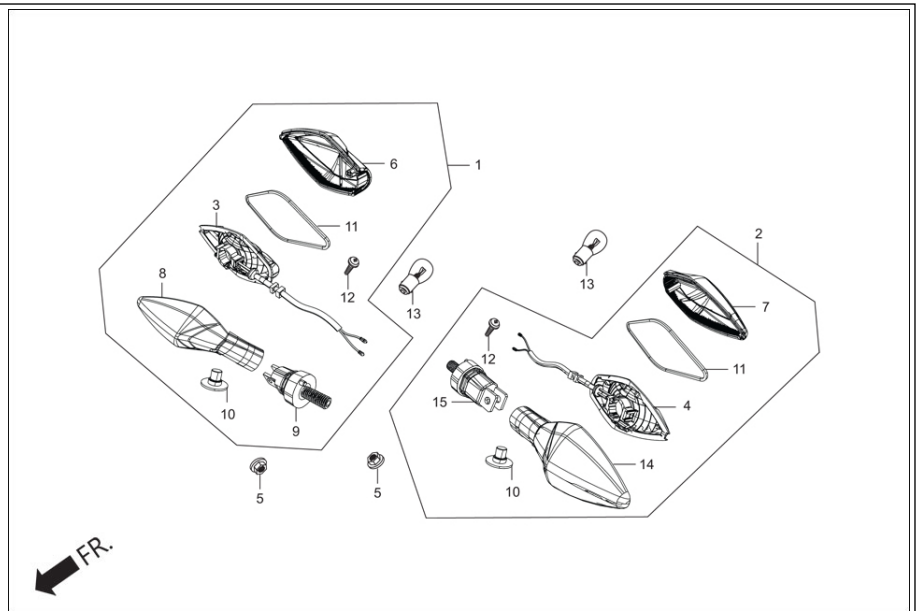


Service Item	F.R.T.
*WINKER ASSY., R/L FR (ADD FOR EACH) (INC. RELATIVE PART)	0.2 --
*WINKER ASSY., R/L RR. (ONE OR ALL) (INC. RELATIVE PART)	0.3 --
(EXC. RELATED PARTS BELOW)	--
*BULB, WINKER	0.1
*WHEN SERVICING COMP., UNIT, (F.R.T. IS)	--

Group Number: F-19 Model :: Ignitor 125 i3S EURO III (JUL, 2020)

Ref No.	Part Number	Description	Req.
1	3340B-AAN-G01	WINKER ASSY., R. FRONT	1
2	3345B-AAN-G01	WINKER ASSY., L. FRONT	1
3	33405-AAN-40099	REFLECTOR COMP R	1
4	33455-AAN-40099	REFLECTOR COMP L	1
5	94050-08000	NUT, FLANGE, 8MM	2
6	34908-AAB-401	BULB (12V10W) AMBER E MARK	2
7	33402-AAS-001	LENS, RIGHT	1
8	33452-AAS-001	LENS, LEFT	1
9	33401-AAR-001	HOUSING R	1
10	33941-AAR-001	STAY CP R	1
11	90380-AAR-001	SCREW SPECIAL	2
12	33408-AAR-001	PACKING	2
13	93901-AAR-001	ST. SCREW 3X10	2
14	33451-AAR-001	HOUSING L	1
15	33946-AAR-001	STAY CPL	1
16	90302-KTE-911	NUT FLANGE PT 6MM	1

F-20
RR WINKER

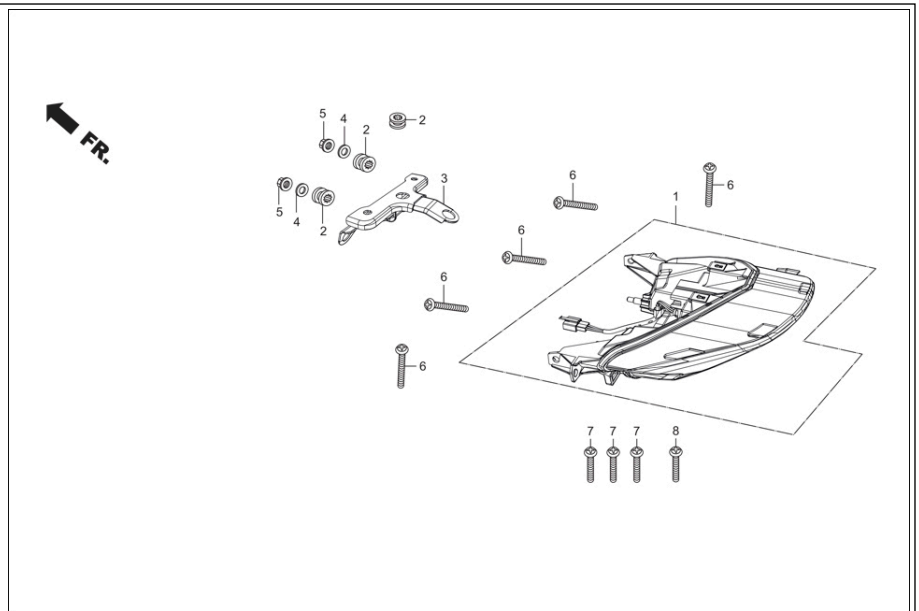


Service Item	F.R.T.
*WINKER ASSY., R/L FR (ADD FOR EACH)	0.2 --
(INC. RELATIVE PART)	--
*WINKER ASSY., R/L RR. (ONE OR ALL)	0.3 --
(INC. RELATIVE PART)	--
(EXC. RELATED PARTS BELOW)	--
*BULB, WINKER	0.1
*WHEN SERVICING COMP., UNIT,(F.R.T. IS)	--

Group Number: F-20 Model :: Ignitor 125 i3S EURO III (JUL, 2020)

Ref No.	Part Number	Description	Req.
1	3360B-AAN-G01	WINKER ASSY., R. REAR	1
2	3365B-AAN-G01	WINKER ASSY., L. REAR	1
3	33605-AAN-40099	REFLECTOR COMP R WINKER ASSY.	1
4	33655-AAN-40099	REFLECTOR COMP L WINKER ASSY.	1
5	94050-08000	NUT, FLANGE, 8MM	2
6	33402-AAS-001	LENS, RIGHT	1
7	33452-AAS-001	LENS, LEFT	1
8	33401-AAR-001	HOUSING R	1
9	33941-AAR-001	STAY CP R	1
10	90380-AAR-001	SCREW SPECIAL	2
11	33408-AAR-001	PACKING	2
12	93901-AAR-001	ST. SCREW 3X10	2
13	34908-AAB-401	BULB (12V10W) AMBER E MARK	2
14	33451-AAR-001	HOUSING L	1
15	33946-AAR-001	STAY CP L	1

F-21 TAIL LIGHT

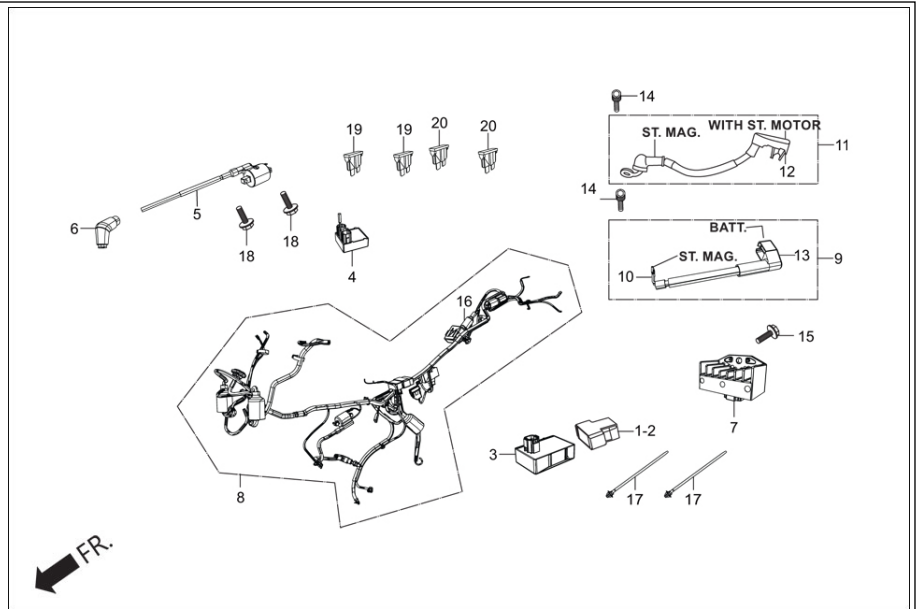


Service Item	F.R.T.
*UNIT TAIL LIGHT	0.4
* LENS COMP., TAIL LIGHT	--
*BASE COMP., TAIL LIGHT	--
*BULB, TAIL & STOP LIGHT	0.1

Group Number: F-21 **Model ::** Ignitor 125 i3S EURO III (JUL, 2020)

Ref No.	Part Number	Description	Req.
1	33700-AAN-40099	TAIL LIGHT ASSY	1
2	77209-KAG-900	RUBBER, SEAT STAY MOUNT	3
3	77235-AAN-410	BRKT TAIL LIGHT TOP ASSY	1
4	90563-355-000	WASHER, WHEEL, 6 MM	2
5	94050-06000	NUT, FLANGE, 6 MM	2
6	93903-35380	SCREW TAPPING 5X16	5
7	93901-24310	SCREW TAPPING 4X12	3
8	93913-AAW-001	SCREW 3X12	1

F-22 WIRE HARNESS

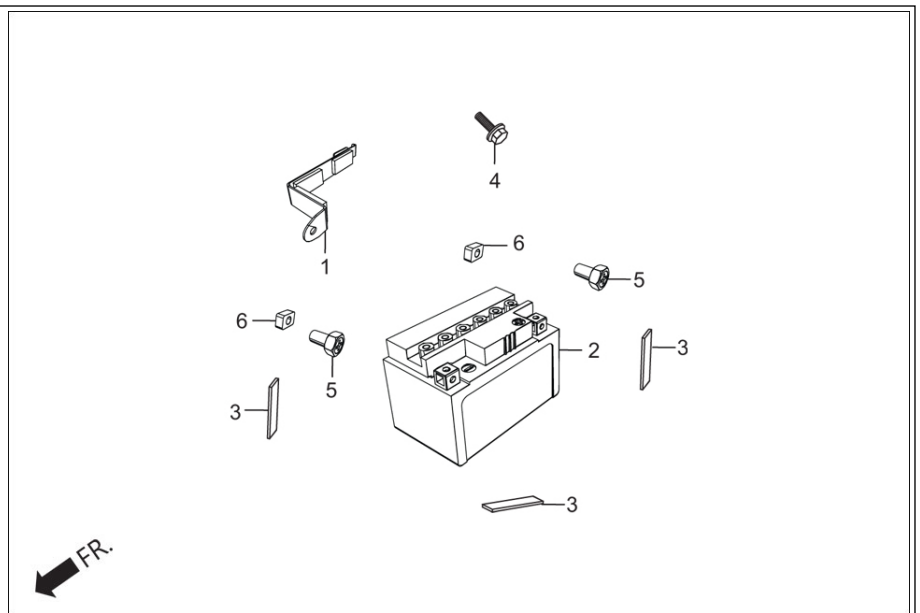


Service Item	F.R.T.
*UNIT COMP., C.D.I.	0.4
*COIL ASSY., IGNITION	--
*RECTIFIER COMP., REGULATOR	--
*BATTERY ASSY.,	0.1
*RELAY COMP., WINKER	--
*HARNESS, WIRE	0.9

Group Number: F-22 **Model ::** Ignitor 125 i3S EURO III (JUL, 2020)

Ref No.	Part Number	Description	Req.
1	30401-KTE-910	CUSHION, C.D.I. UNIT	1
2	30401-AAL-00099	CUSHION CDI UNIT	1
3	30410-AAN-411	UNIT COMP CDI	1
4	30460-AAM-000	CONTROLLER UNIT COMP I3S	1
5	30500-AAN-H01	COIL ASSY IGN	1
6	30700-KWA-831	CAP ASSY, NOISE SUPPRESSOR	1
7	31600-AAN-411	REG RECT COMP	1
8	32100-AAN-410	HARNESS WIRE	1
9	32401-AAN-500	CABLE ST MAG BATT	1
10	32406-MAK-000	COVER, ST.MAG.TERMINAL	1
11	32410-AAN-410	CABLE START MOTOR	1
12	32411-253-000	COVER, STARTING MOTOR	1
13	32417-KTR-A10	COVER, BAT. TERMINAL	1
14	90111-MR5-000	BOLT, SOCKET, 5X9	2
15	95701-06016-00	BOLT, FLANGE, 6X16	1
16	32108-GW6-700	COVER ,CONNECTOR	1
17	91540-AAN-410	CLIP, BAND HARN	2
18	95701-06020-00	BOLT, FLANGE, 6X20	2
19	98200-31000	BLADE, FUSE 10A	2
20	98200-31500	BLADE, FUSE, 15A	2

F-22A
BATTERY ASSY.

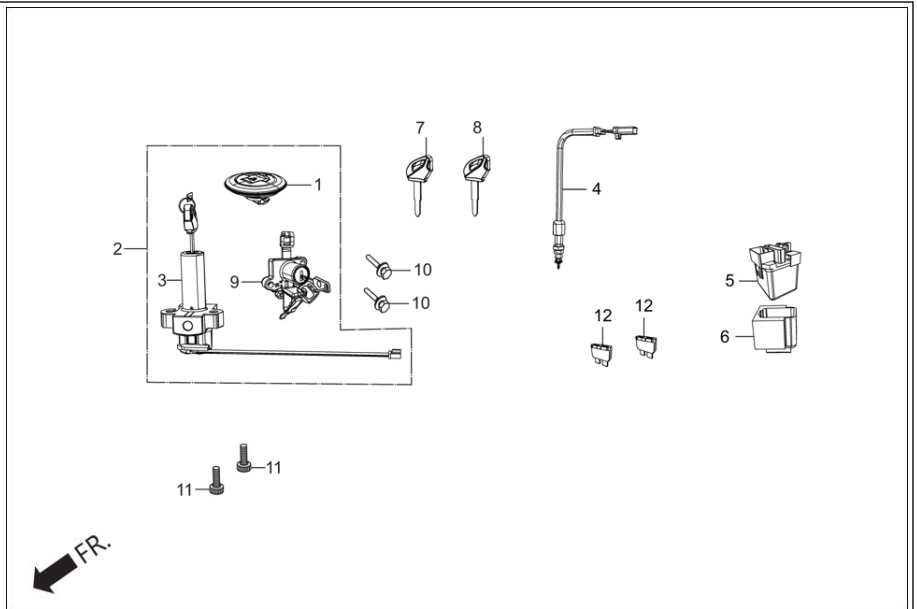


Service Item	F.R.T.
* BAND, BATTERY.	0.1
* BATTERY	0.2

Group Number: F-22A Model :: Ignitor 125 i3S EURO III (JUL, 2020)

Ref No.	Part Number	Description	Req.
1	17214-KWA-840	BAND, BATTERY	1
2	31500-KVT-801	BATTERY, ASSY.	1
3	83407-KTR-940	RUBBER, BATTERY	3
4	90101-ABA-000	BOLT FLANGE 6X18	1
5	90122-KVT-941	BOLT BATTERY TERMINAL	2
6	90306-KVT-941	NUT BATTERY TERMINAL	2

F-22B
SWITCH ASSY ./RELAY / LOCK ASSY./ KEY
BLANK

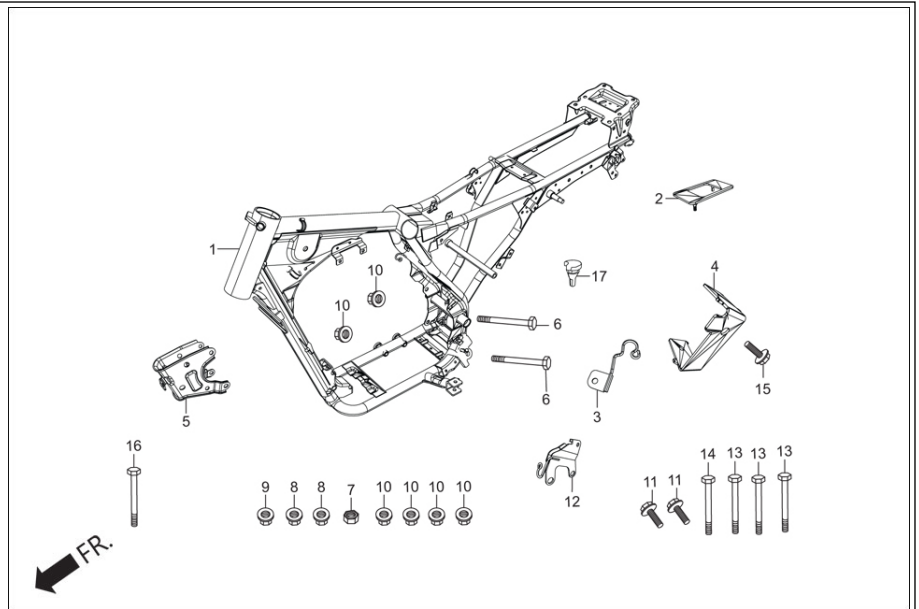


Service Item	F.R.T.
*UNIT COMP., C.D.I.	0.4
*COIL ASSY., IGNITION	--
*RECTIFIER COMP., REGULATOR	--
*BATTERY ASSY.,	0.1
*RELAY COMP., WINKER	--
*HARNESS, WIRE	0.9

Group Number: F-22B Model :: Ignitor 125 i3S EURO III (JUL, 2020)

Ref No.	Part Number	Description	Req.
1	17620-AAG-501	CAP COMP. FUEL FILLER	1
2	35010-AAN-411	KEY SET	1
3	35100-AAN-601	SW ASSY COMB & LOCK	1
4	35350-KTR-A00	SWITCH ASSY, REAR STOP	1
5	35850-KR3-870	SWITCH ASSY., START MAG.	1
	35850-AAM-H01	SW ASSY. START MAG	1
6	35856-KBG-007	RUBBER,SHOCK	1
7	35121-AAN-411	KEY BLANK NO. 1	1
8	35122-AAN-411	KEY BLANK NO. 02	1
9	77110-AAC-H00	LOCK ASSY SEAT	1
10	90107-GZ4-670	BOLT, BREAK OFF	2
11	96600-08025-00	SOCKET, BOLT, 8 X 25	2
12	98200-32000	BLADE, FUSE, 20A	2

F-23-IBS
FRAME BODY

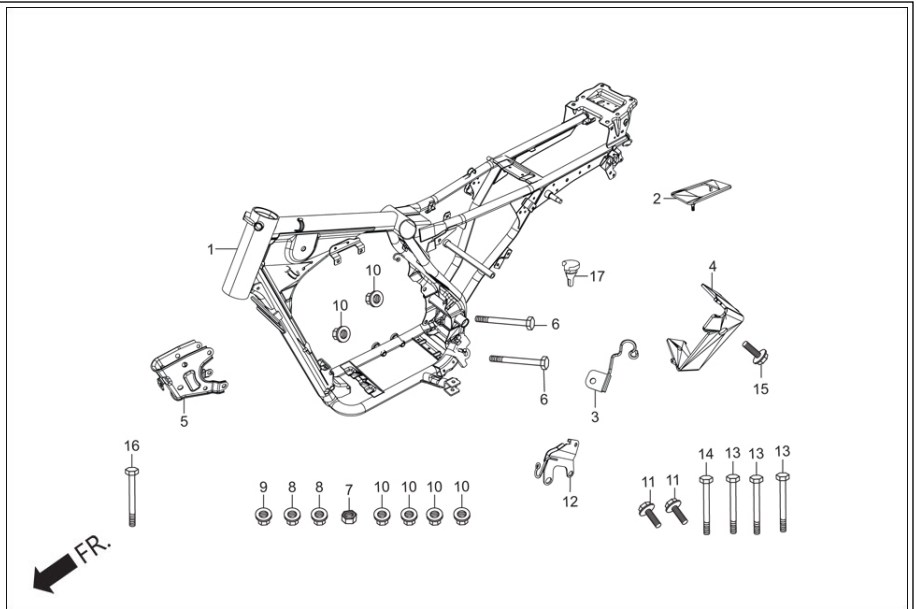


Service Item	F.R.T.
*BODY COMP., FRAME	5.0
*UTILITY BOX COMP., (INC. RELATIVE PART)	--

Group Number: F-23-IBS Model :: Ignitor 125 i3S EURO III (JUL, 2020)

Ref No.	Part Number	Description	Req.
1	50100-AAN-J10	FRAME BODY COMP.	1
2	50225-KTR-900	RUBBER SEAT CUSHION	1
3	50250-AAN-410	CABLE RETAINER	1
4	50251-AAN-410	BRACKET (I3S)	1
5	5035A-AAN-410	FRONT ENG HANGER COMP	1
6	90019-AAG-300	BOLT FLANGE 10 X 110	2
7	94030-08000	NUT, HEX., 8 MM	1
8	94050-06000	NUT, FLANGE, 6 MM	2
9	94050-08000	NUT, FLANGE, 8MM	1
10	94050-10000	NUT, FLANGE, 10MM	6
11	95701-06012-00	BOLT, FLANGE, 6X12	2
12	50350-AAN-410	STAY VALVE ASSY AIR SUCTION COMP	1
13	95801-10075-00	BOLT, FLANGE, 10 X 75	3
14	95801-10095-00	BOLT FLANGE 10X95	1
15	95701-06010-00	BOLT, FLANGE, 6 X 10	1
16	95801-08075-00	BOLT FLANGE, 8X75	1
17	50137-AAR-000	PLUG CABLE RETENTION	1

F-23-W/O
FRAME BODY

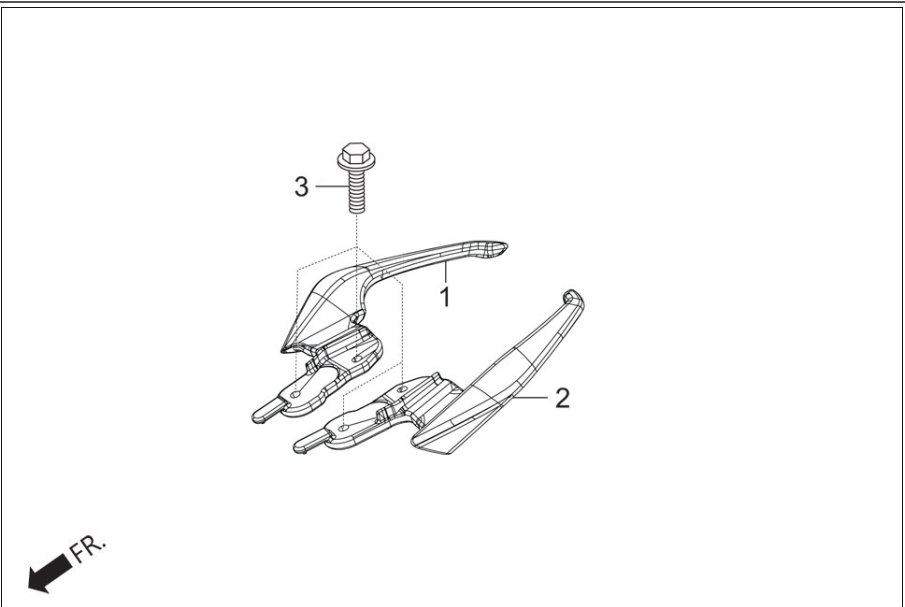


Service Item	F.R.T.
*BODY COMP., FRAME	5.0
*UTILITY BOX COMP. (INC. RELATIVE PART)	--

Group Number: F-23-W/O Model :: Ignitor 125 i3S EURO III (JUL, 2020)

Ref No.	Part Number	Description	Req.
1	50100-AAN-410	FRAME BODY COMP	1
2	50225-KTR-900	RUBBER SEAT CUSHION	1
3	50250-AAN-410	CABLE RETAINER	1
4	50251-AAN-410	BRACKET (I3S)	1
5	5035A-AAN-410	FRONT ENG HANGER COMP	1
6	90019-AAG-300	BOLT FLANGE 10 X 110	2
7	94030-08000	NUT, HEX., 8 MM	1
8	94050-06000	NUT, FLANGE, 6 MM	2
9	94050-08000	NUT, FLANGE, 8MM	1
10	94050-10000	NUT, FLANGE, 10MM	6
11	95701-06012-00	BOLT, FLANGE, 6X12	2
12	50350-AAN-410	STAY VALVE ASSY AIR SUCTION COMP	1
13	95801-10075-00	BOLT, FLANGE, 10 X 75	3
14	95801-10095-00	BOLT FLANGE 10X95	1
15	95701-06010-00	BOLT, FLANGE, 6 X 10	1
16	95801-08075-00	BOLT FLANGE, 8X75	1
17	50137-AAR-000	PLUG CABLE RETENTION	1

F-23A-IBS
GRIP REAR



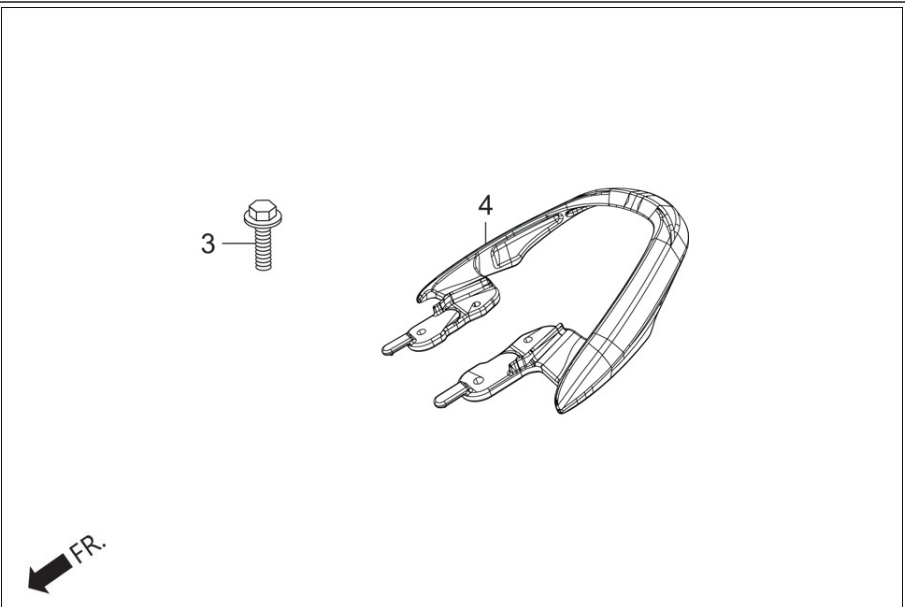
Service Item

F.R.T.

Group Number: F-23A-IBS Model :: Ignitor 125 i3S EURO III (JUL, 2020)

Ref No.	Part Number	Description	Req.
1	50400-ACL-410V	GRIP REAR R. (MATT VERNIER GREY)	1
2	50450-ACL-410V	GRIP REAR L. (MATT VERNIER GREY)	1
3	95701-08022-00	BOLT, FLANGE, 8 X 22	4

F-23A-W/O
GRIP REAR

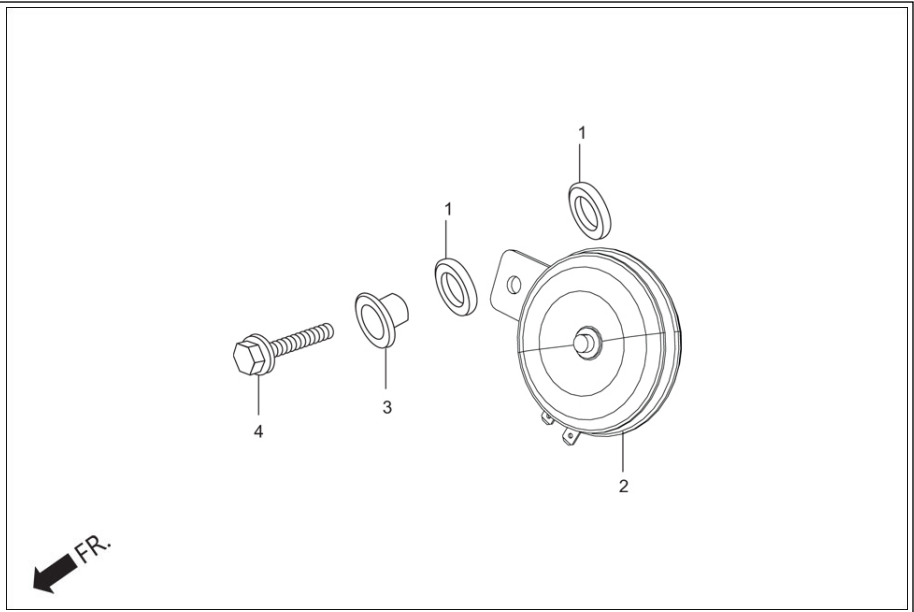


Service Item

F.R.T.

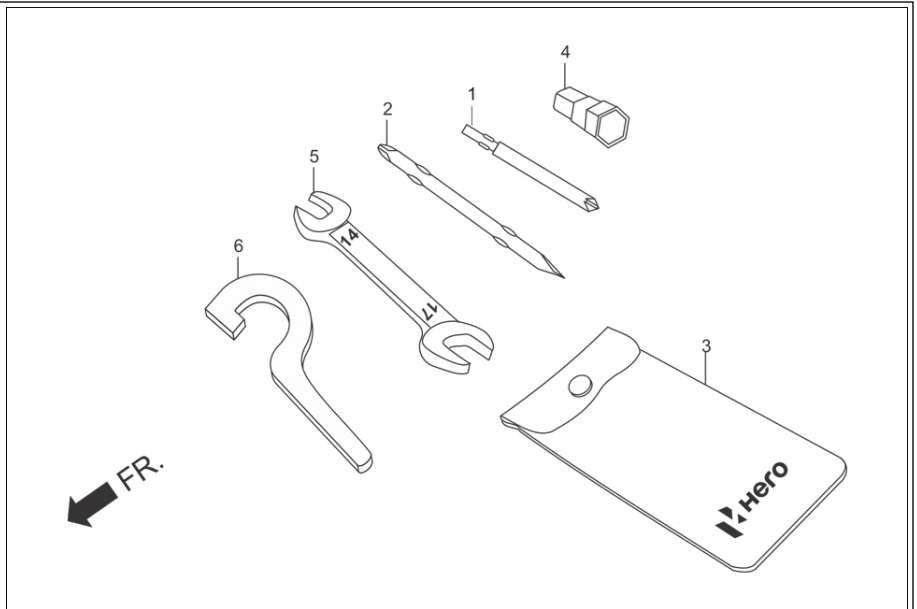
Group Number: F-23A-W/O Model :: Ignitor 125 i3S EURO III (JUL, 2020)			
Ref No.	Part Number	Description	Req.
3	95701-08022-00	BOLT, FLANGE, 8 X 22	4
4	50400-ACL-400R	GRIP REAR (PANTHER BLACK ME.)	1
	50400-ACL-400S	GRIP REAR (VIBRANT BLUE ME.)	1
	50400-AAN-410W	GRIP REAR	1

F-23B
HORN



Service Item	F.R.T.	Group Number: F-23B Model :: Ignitor 125 i3S EURO III (JUL, 2020)		
Ref No.	Part Number	Description	Req.	
1	33714-KL3-620	RUBBER, TAIL LIGHT	2	
2	38110-AAN-701	HORN, COMP.,	1	
3	38117-KFE-701	COLLAR, HORN SET	1	
4	95701-06020-00	BOLT, FLANGE, 6X20	1	

**F-24
TOOLS**



Service Item

F.R.T.

Group Number: F-24 Model :: Ignitor 125 i3S EURO III (JUL, 2020)

Ref No.	Part Number	Description	Req.
1	89102-AAC-000	NO.3 CROSS POINT SCREW DRIVER	1
2	89102-KTC-900	DRIVER NO. 2, PLUS-MINUS	1
3	89216-AAD-H00	TOOL BAG	1
4	89216-KTC-900	WRENCH, SPARKING PLUG	1
5	99001-14170	SPANNER, 14 X 17	1
6	99007-45000	PIN, SPANNER	1

F-25-IBS
STRIPES/MARKS



Service Item	F.R.T.	Group Number: F-25-IBS Model :: Ignitor 125 i3S EURO III (JUL, 2020)			
		Ref No.	Part Number	Description	Req.
		1	50201-ACL-400	EMBLEM R SHROUD	1

F-25-IBS
STRIPES/MARKS



Service Item	F.R.T.	Group Number: F-25-IBS Model :: Ignitor 125 i3S EURO III (JUL, 2020)			
		Ref No.	Part Number	Description	Req.
		2	50301-ACL-400	EMBLEM L SHROUD	1

F-25-IBS
STRIPES/MARKS



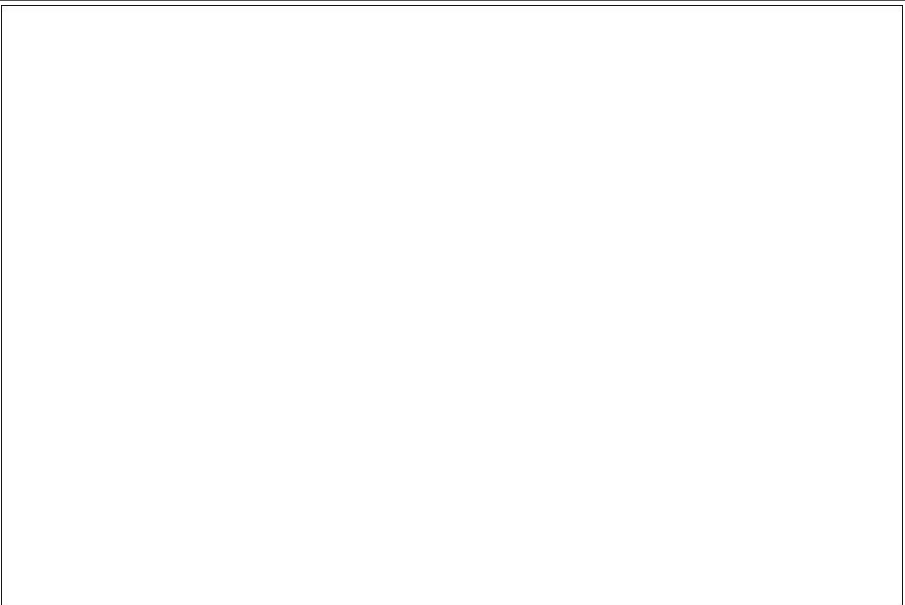
Service Item	F.R.T.	Group Number: F-25-IBS Model :: Ignitor 125 i3S EURO III (JUL, 2020)			
		Ref No.	Part Number	Description	Req.
		3	86173-ACL-410U	STRIPE R FUEL TANK (TYPE-4)	1

F-25-IBS
STRIPES/MARKS



Service Item	F.R.T.	Group Number: F-25-IBS Model :: Ignitor 125 i3S EURO III (JUL, 2020)			
		Ref No.	Part Number	Description	Req.
		4	86174-ACL-410U	STRIPE L FUEL TANK (TYPE-4)	1

F-25-IBS
STRIPES/MARKS



Service Item	F.R.T.	Group Number: F-25-IBS Model :: Ignitor 125 i3S EURO III (JUL, 2020)			
		Ref No.	Part Number	Description	Req.
		5	86673-ACL-410U	STRIPE R COWL FT (TYPE-4)	1

F-25-IBS
STRIPES/MARKS



Service Item	F.R.T.	Group Number: F-25-IBS Model :: Ignitor 125 i3S EURO III (JUL, 2020)			
		Ref No.	Part Number	Description	Req.
		6	86674-ACL-410U	STRIPE L COWL FT (TYPE-4)	1

F-25-IBS
STRIPES/MARKS



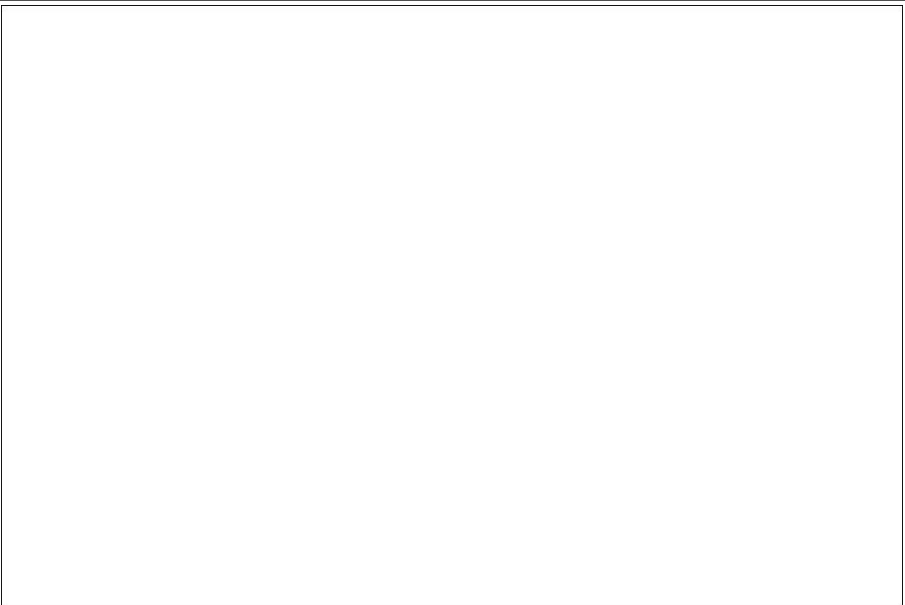
Service Item	F.R.T.	Group Number: F-25-IBS Model :: Ignitor 125 i3S EURO III (JUL, 2020)			
		Ref No.	Part Number	Description	Req.
		7	86771-ACL-400S	STRIPE A, R SIDE COWL (TYPE-4)	1
		8	86772-ACL-400S	STRIPE A, L SIDE COWL (TYPE-4)	1
		9	86773-ACL-410U	STRIPE B, R SIDE COWL (TYPE-4)	1

F-25-IBS
STRIPES/MARKS



Service Item	F.R.T.	Group Number: F-25-IBS Model :: Ignitor 125 i3S EURO III (JUL, 2020)			
		Ref No.	Part Number	Description	Req.
		10	86774-ACL-410U	STRIPE B, L SIDE COWL (TYPE-4)	1

F-25-IBS
STRIPES/MARKS



Service Item	F.R.T.	Group Number: F-25-IBS Model :: Ignitor 125 i3S EURO III (JUL, 2020)			
		Ref No.	Part Number	Description	Req.
		11	86780-ACL-410R	MARK IBS FR FENDER RH (TYPE-4)	1

F-25-IBS
STRIPES/MARKS



Service Item	F.R.T.	Group Number: F-25-IBS Model :: Ignitor 125 i3S EURO III (JUL, 2020)			
		Ref No.	Part Number	Description	Req.
		12	86880-ACL-410R	MARK IBS FR FENDER LH (TYPE-4)	1

F-25-IBS
STRIPES/MARKS



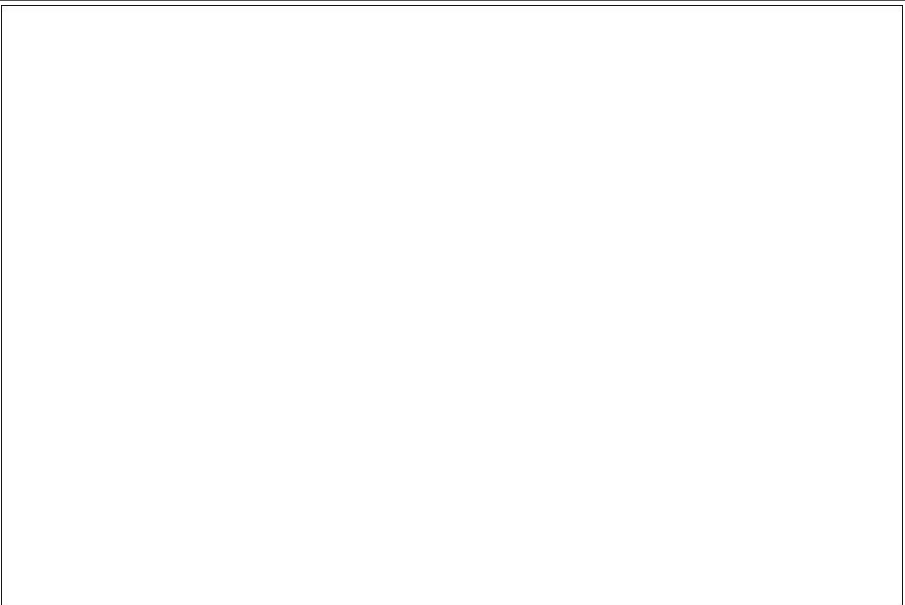
Service Item	F.R.T.	Group Number: F-25-IBS Model :: Ignitor 125 i3S EURO III (JUL, 2020)			
		Ref No.	Part Number	Description	Req.
		13	86781-ACL-410U	STRIPE R COVER FR (TYPE-4)	1

F-25-IBS
STRIPES/MARKS



Service Item	F.R.T.	Group Number: F-25-IBS Model :: Ignitor 125 i3S EURO III (JUL, 2020)			
		Ref No.	Part Number	Description	Req.
		14	86782-ACL-410U	STRIPE L COVER FR (TYPE-4)	1

F-25-IBS
STRIPES/MARKS



Service Item	F.R.T.	Group Number: F-25-IBS Model :: Ignitor 125 i3S EURO III (JUL, 2020)			
		Ref No.	Part Number	Description	Req.
		15	86830-AAF-400	EMBLEM WINDSCREEN	1

F-25-IBS
STRIPES/MARKS



Service Item	F.R.T.	Group Number: F-25-IBS Model :: Ignitor 125 i3S EURO III (JUL, 2020)			
		Ref No.	Part Number	Description	Req.
		16	86831-ACL-400S	MARK I3S R SIDE COVER (TYPE-4)	1
		17	86832-ACL-400S	MARK I3S L SIDE COVER (TYPE-4)	1
		18	87117-ACL-400S	MARK, CENTER RR COWL (TYPE-4)	1

F-25-W/O
STRIPES/MARKS



Service Item	F.R.T.	Group Number: F-25-W/O Model :: Ignitor 125 i3S EURO III (JUL, 2020)			
		Ref No.	Part Number	Description	Req.
		1	50201-ACL-400	EMBLEM R SHROUD	1

F-25-W/O
STRIPES/MARKS



Service Item	F.R.T.	Group Number: F-25-W/O Model :: Ignitor 125 i3S EURO III (JUL, 2020)			
		Ref No.	Part Number	Description	Req.
		2	50301-ACL-400	EMBLEM L SHROUD	1

F-25-W/O
STRIPES/MARKS



Service Item	F.R.T.	Group Number: F-25-W/O Model :: Ignitor 125 i3S EURO III (JUL, 2020)			
		Ref No.	Part Number	Description	Req.
		7	86771-ACL-400R	STRIPE A, R SIDE COWL (TYPE-1)	1

F-25-W/O
STRIPES/MARKS



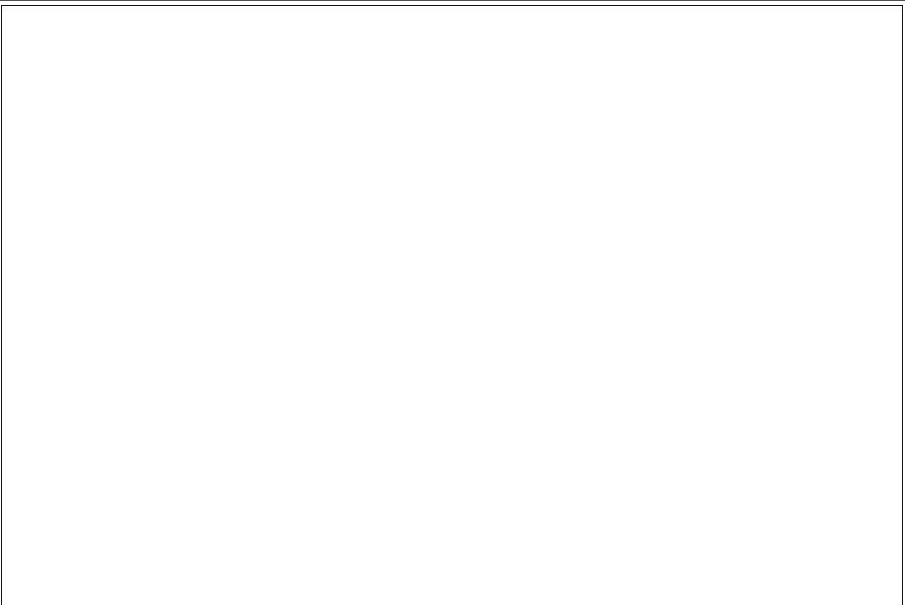
Service Item	F.R.T.	Group Number: F-25-W/O Model :: Ignitor 125 i3S EURO III (JUL, 2020)			
		Ref No.	Part Number	Description	Req.
		8	86772-ACL-400R	STRIPE A, L SIDE COWL (TYPE-1)	1

F-25-W/O
STRIPES/MARKS



Service Item	F.R.T.	Group Number: F-25-W/O Model :: Ignitor 125 i3S EURO III (JUL, 2020)			
		Ref No.	Part Number	Description	Req.
		15	86830-AAF-400	EMBLEM WINDSCREEN	1

F-25-W/O
STRIPES/MARKS



Service Item	F.R.T.	Group Number: F-25-W/O Model :: Ignitor 125 i3S EURO III (JUL, 2020)			
		Ref No.	Part Number	Description	Req.
		16	86831-ACL-400R	MARK I3S R SIDE COVER (TYPE-1)	1

F-25-W/O
STRIPES/MARKS



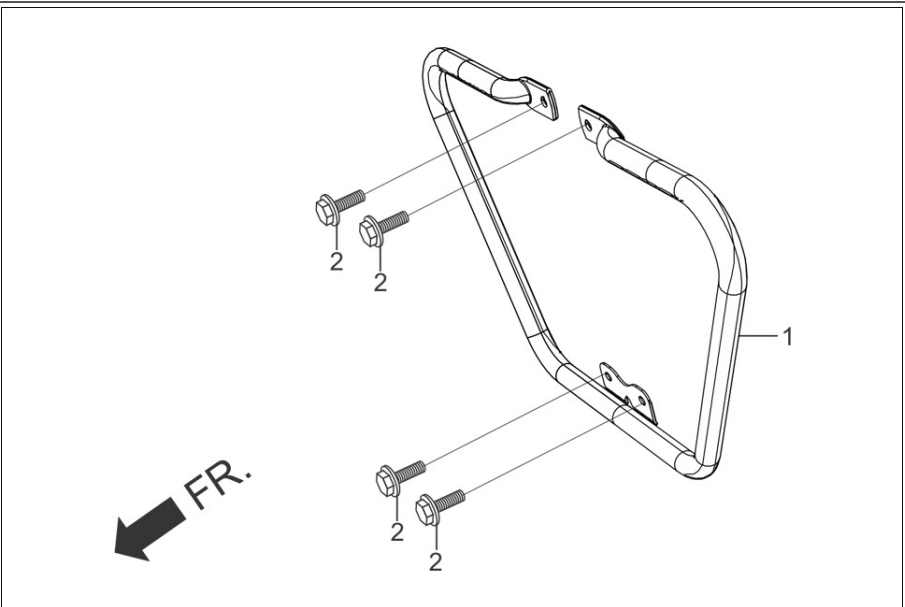
Service Item	F.R.T.	Group Number: F-25-W/O Model :: Ignitor 125 i3S EURO III (JUL, 2020)			
		Ref No.	Part Number	Description	Req.
		17	86832-ACL-400R	MARK I3S L SIDE COVER (TYPE-1)	1

F-25-W/O
STRIPES/MARKS



Service Item	F.R.T.	Group Number: F-25-W/O Model :: Ignitor 125 i3S EURO III (JUL, 2020)			
		Ref No.	Part Number	Description	Req.
		18	87117-ACL-400R	MARK, CENTER RR COWL (TYPE-1)	1

F-26
 GUARD ENGINE (OPTIONAL)



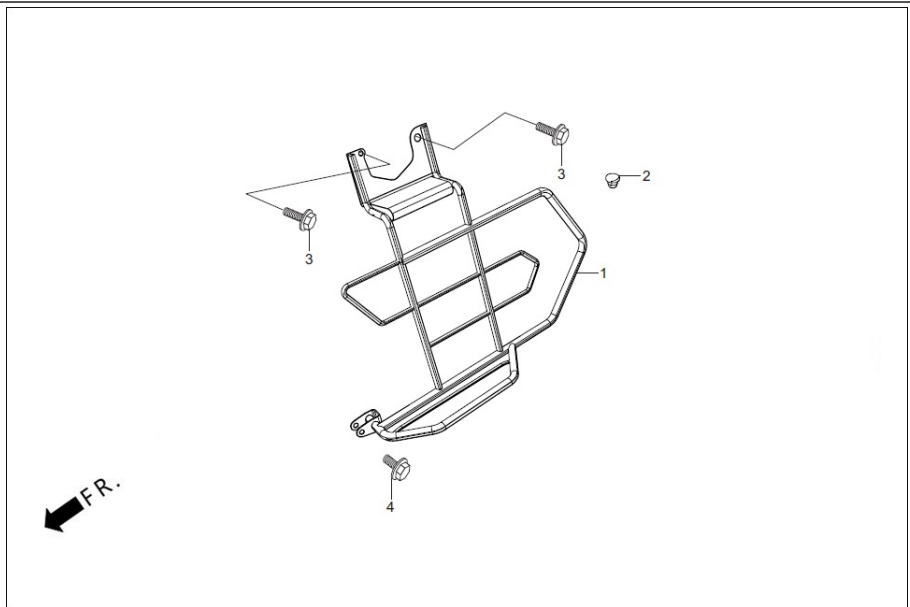
Service Item

F.R.T.

Group Number: F-26 Model :: Ignitor 125 i3S EURO III (JUL, 2020)

Ref No.	Part Number	Description	Req.
1	50803-AAN-410	GUARD ENGINE	1
2	95701-08016-00	BOLT, FLANGE, 8X16	4

F-26A
GUARD SARI

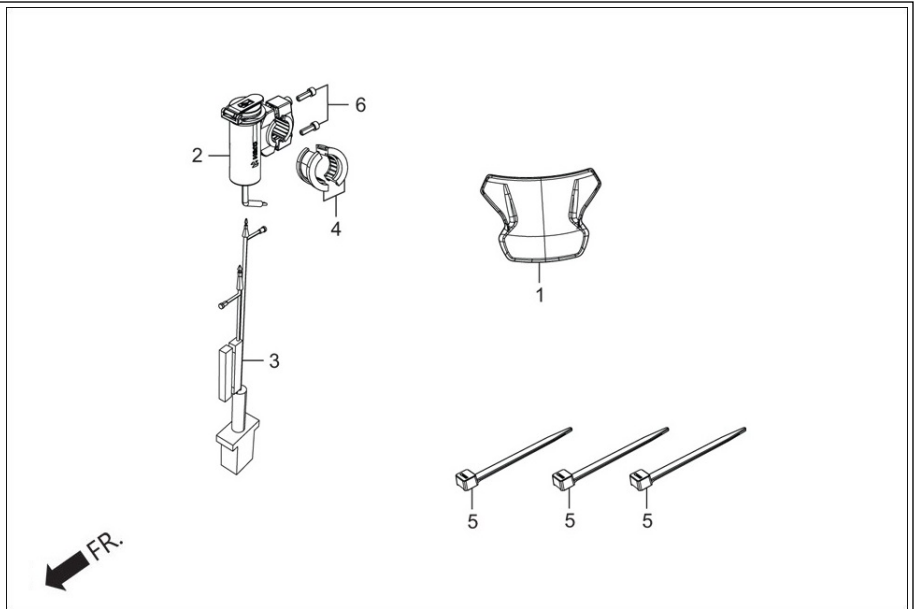


Service Item

F.R.T.

Group Number: F-26A Model :: Ignitor 125 i3S EURO III (JUL, 2020)			
Ref No.	Part Number	Description	Req.
1	51103-AAN-410	GUARD SARI	1
2	51106-KCC-900	CAP, GUARD SARI	1
3	95701-08016-00	BOLT, FLANGE, 8X16	2
4	95701-08030-07	BOLT, FLANGE 8X30	1

F-26B
GARNISH/USB CHARGER TPMS ASSY/GRIP
COVER (OPTIONAL)



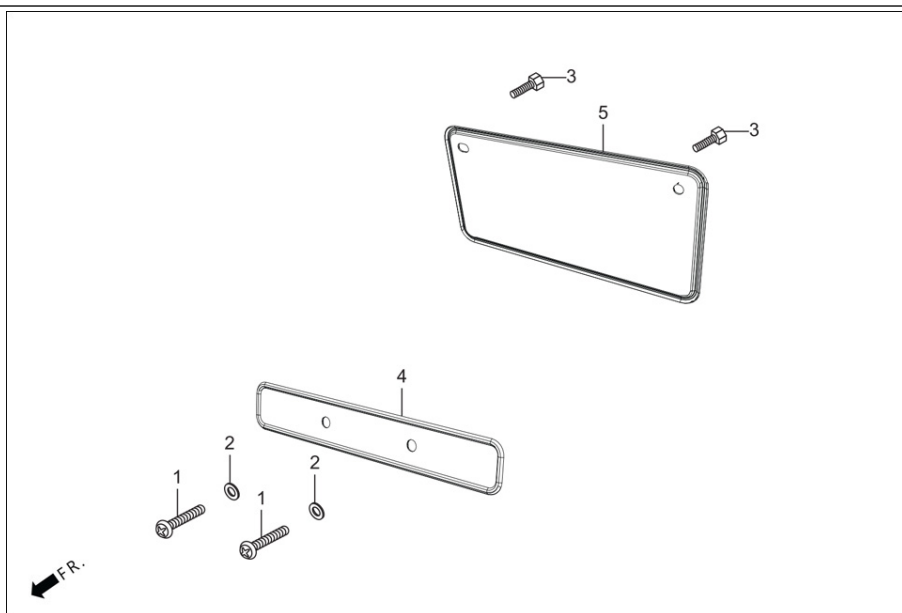
Service Item

F.R.T.

Group Number: F-26B Model :: Ignitor 125 i3S EURO III (JUL, 2020)

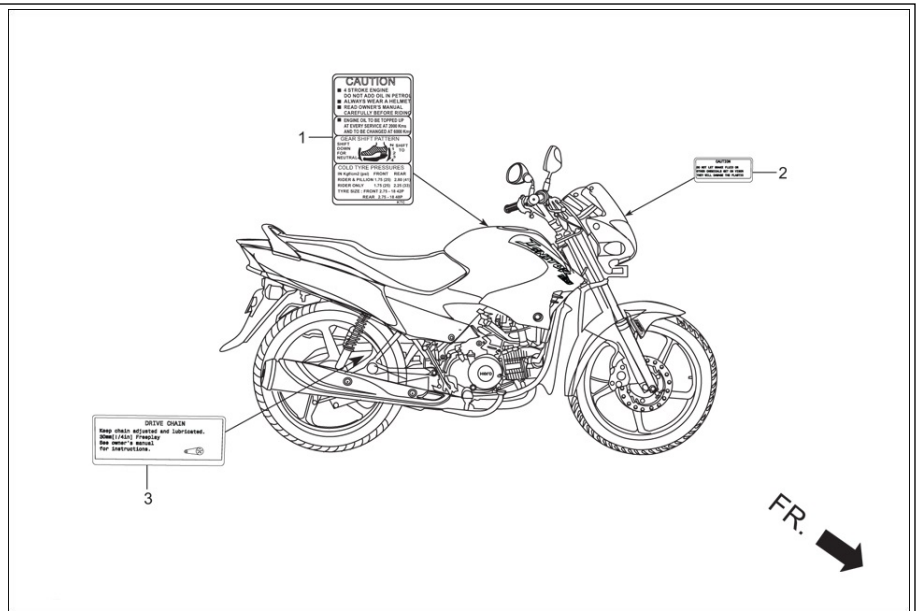
Ref No.	Part Number	Description	Req.
1	17547-ACL-400	PAD TANK MIDDLE	1
2	31304-AAM-801	USB CHARGER	1
3	31305-AAM-600	WIRE HARNESS FOR USB CHARGER	1
4	31306-AAE-111	RUBBER GRIP	2
5	91551-AAB-100	BAND, CLAMP	3
6	96700-05035-10	BOLT SOCKET 5X35	2

F-26C
NUMBER PLATE FR./RR. (OPTIONAL)



Service Item	F.R.T.	Group Number: F-26C Model :: Ignitor 125 i3S EURO III (JUL, 2020)			
Ref No.	Part Number	Description	Req.		
1	93500-05010-1A	SCREW, PAN, 5X10	2		
2	94101-05000	WASHER, PLAIN, 5MM	2		
3	92000-06012-0A	BOLT,HEX.,6X12	2		
4	64310-198-D20A	PLATE, FRONT NUMBER	1		
5	84701-P26-D00A	NUMBER, PLATE REAR	1		

F-27
CAUTION LABEL



Service Item	F.R.T.	Group Number: F-27 Model :: Ignitor 125 i3S EURO III (JUL, 2020)		
Ref No.	Part Number	Description	Req.	
1	87560-AAN-410	LABEL DRIVE	1	
2	87522-MAB-600	LABEL, VISOR CAUTION	1	
3	87507-AAN-410	LABEL DRIVE CHAIN	1	

PARTS INDEX

PART NO	BLOCK	PART NO	BLOCK
2830A-KTR-840	F-15A-IBS	14771-AAT-000	E-1C
2830A-KTR-840	F-15A-W/O	14775-MA6-000	E-1C
3310B-AAN-40099	F-1	14781-MA6-000	E-1C
3340B-AAN-G01	F-19	15100-AAN-410	E-6
3345B-AAN-G01	F-19	15341-KTC-900	E-6
3360B-AAN-G01	F-20	15421-035-010	E-6
3365B-AAN-G01	F-20	15431-KTC-901	E-6
3372B-AAN-D01	F-18	15441-KTC-900A	E-3B
4052A-AAN-410	F-16A	15441-KTC-900	E-6
4311A-AAN-G00	F-8A-IBS	15441-KTC-900A	E-6
4344A-AAN-G00	F-8A-IBS	15650-AAN-410	E-6
5035A-AAN-410	F-23-IBS	16010-AAN-410	E-11
5035A-AAN-410	F-23-W/O	16012-AAN-410	E-11
5313A-AAN-H20	F-3C	16013-AAN-410	E-11
06451-AAN-E00	F-4A-IBS	16015-AAN-410	E-11
06451-KCC-841	F-4B-W/O	16016-AAN-410	E-11
06455-AAN-E00	F-4A-IBS	16028-AAN-410	E-11
06455-KCC-841	F-4B-W/O	16031-AAN-410	E-11
7720A-AAN-410	F-10	16037-AAN-410	E-11
9110A-AAN-410	E-7	16046-AAN-410	E-11
11100-AAN-410	E-3B	16050-AAN-410	E-11
11200-AAN-410	E-3B	16076-AAN-410	E-11
11208-KTC-900	E-3B	16100-AAN-F01	E-11
11215-KTC-901	E-3B	16107-AAN-410	E-11
11216-KTC-901	E-3B	16111-AAN-410	E-11
11217-KTC-901	E-3B	16119-AAN-410	E-11
11330-AAN-410	E-3	16140-AAN-410	E-11
11341-AAN-410	E-3A	16155-AAN-410	E-11
11360-AAN-410	E-3A	16163-AAN-410	E-11
11394-AAN-410	E-3	16165-AAN-F01	E-11
11395-AAN-410	E-3A	16199-AAN-410	E-11
12100-AAN-410	E-1B	16211-AAN-410	E-11A
12191-AAN-410	E-1B	16217-AAW-200	E-11A
12200-AAN-500	E-1A	16222-MV4-300	E-11A
12209-AAN-410	E-1C	16423-AAN-410	E-11
12211-AAN-410	E-1C	16950-AAN-400099	F-11-IBS
12237-AAT-305	E-1A	16950-AAN-400099	F-11-W/O
12251-AAN-410	E-1A	16952-AAN-410	F-11-IBS
12341-AAN-410	E-1	16952-AAN-410	F-11-W/O
12361-KTR-A00	E-1	16958-397-770	F-11-IBS
13000-AAN-410	E-7	16958-397-770	F-11-W/O
13011-AAN-410	E-7	17111-AAN-D00	E-11A
13101-AAN-410	E-7	17199-AAN-410	F-11-IBS
13111-087-000	E-7	17199-AAN-410	F-11-W/O
13115-001-000	E-7	17208-AAT-000	F-13
13201-AAN-410	E-7	17210-AAN-410	F-13
13322-KTC-900	E-7	17214-KWA-840	F-22A
13380-AAN-410	E-7	17218-AAT-000	F-13
14100-AAN-410	E-1C	17219-KTC-900	F-13
14311-KPH-900	E-7	17220-AAT-000	F-13
14321-AAG-100	E-2	17221-KA4-300	F-14
14321-AAG-400	E-2	17227-ABA-000	F-13
14401-KTC-900	E-2	17230-AAN-410	F-11-IBS
14430-AAT-000	E-1C	17230-AAN-410	F-11-W/O
14451-AAN-410	E-1C	17234-KCC-940	F-13
14510-KTC-901	E-2	17251-AAN-410	F-13
14515-KTC-901	E-2	17253-AAN-410	F-13
14520-AAN-410	E-2	17369-198-770	F-13
14560-KSP-910	E-2	17371-AAN-D00	F-11-IBS
14610-KPH-900	E-2	17371-AAN-D00	F-11-W/O
14711-AAT-00099	E-1C	17371-AAN-410	F-13
14721-AAT-00099	E-1C	17506-AAN-410	F-11-IBS
14751-AAN-410	E-1C	17506-AAN-410	F-11-W/O
14761-AAT-000	E-1C	17509-398-960	F-10A-IBS

PART NO	BLOCK	PART NO	BLOCK
17509-398-960	F-10A-W/O	23461-AAN-410	E-8
17510-ACL-400R	F-11-W/O	23471-KTC-902	E-8
17510-ACL-400S	F-11-W/O	23481-KTC-902	E-8
17510-ACL-400T	F-11-W/O	23801-AAN-411	E-8
17512-AAN-G00	F-5-IBS	23802-AAN-411	E-8
17512-AAN-G00	F-5-W/O	24211-KTC-900	E-10
17520-ACL-410U	F-11-IBS	24212-KTC-900	E-10
17547-ACL-400	F-26B	24241-AAN-410	E-10
17554-AAN-410	F-11-IBS	24301-KTC-900	E-10
17554-AAN-410	F-11-W/O	24410-KTC-900	E-10
17555-AAN-410	F-11-IBS	24421-KTC-900	E-10
17555-AAN-410	F-11-W/O	24430-KPH-901	E-10
17611-KRM-860	F-11-IBS	24435-KTC-900	E-10
17611-KRM-860	F-11-W/O	24610-KTR-940	E-10
17613-KCC-900	F-11-IBS	24639-KPG-T00	E-10
17613-KCC-900	F-11-W/O	24641-KTC-900	E-10
17620-AAG-501	F-22B	24651-KTC-900	E-10
17681-KTC-900	F-11-IBS	24652-KPH-900	E-10
17681-KTC-900	F-11-W/O	24701-AAN-410	F-15A-IBS
17682-AAN-410	F-11-IBS	24701-AAN-410	F-15A-W/O
17682-AAN-410	F-11-W/O	28110-KTC-921	E-9
17910-AAN-410	F-3B	28120-KTR-A00A	E-9
17950-AAN-410	F-3B	28131-KTC-920	E-9
17951-AAN-410	F-3B	28132-KPH-900	E-9
18291-AAT-000	F-14	28133-KPH-900	E-9
18293-KPK-900	F-14	28211-AAN-410	E-9
18340-AAN-410	F-14	28221-KTC-900	E-9
18345-KST-940	F-14	28251-KTC-900	E-9
18345-MBT-610	F-14	28262-KTC-900	E-9
18350-AAN-F00	F-14	28265-KPH-900	E-9
18351-AAN-410	F-14	28271-KPH-900	E-9
18355-AAN-410	F-14	28281-KPH-900	E-9
18421-438-670	F-15-IBS	28282-KPH-900	E-9
18421-438-670	F-15-W/O	28293-KAG-900	F-15A-IBS
18442-KRC-900	F-14	28293-KAG-900	F-15A-W/O
18651-KST-900	F-13	28302-KTR-840	F-15A-IBS
19052-KV0-000	F-12-IBS	28302-KTR-840	F-15A-W/O
19052-KV0-000	F-12-W/O	28321-KTC-900	F-15A-IBS
22100-AAG-501	E-4	28321-KTC-900	F-15A-W/O
22115-KPG-T00	E-4	28333-124-000	F-15A-IBS
22116-KPG-T00	E-4	28333-124-000	F-15A-W/O
22121-AAG-501	E-4	30401-KTE-910	F-22
22201-AAG-501	E-4	30401-AAL-00099	F-22
22205-AAG-501	E-4	30410-AAN-411	F-22
22321-AAG-501	E-4	30460-AAM-000	F-22
22350-AAG-501	E-4	30500-AAN-H01	F-22
22361-AAG-501	E-4	30700-KWA-831	F-22
22401-AAG-501	E-4	31100-AAN-411	E-5
22810-KTC-900	E-4	31110-AAN-411	E-5
22815-166-000	E-4	31120-AAN-411	E-5
22821-AAN-410	E-3	31200-KTC-921	E-5A
22822-AAN-410	E-3B	31201-KPT-A01	E-5A
22847-KCC-900	E-4	31204-KG8-004	E-5A
22870-AAN-410	F-3	31205-KTC-921	E-5A
22871-116-670	F-3	31206-KPH-881	E-5A
23123-KGH-900	E-8	31207-MBE-008	E-5A
23125-KTC-901	E-7	31304-AAM-801	F-26B
23211-AAN-410	E-8	31305-AAM-600	F-26B
23221-KTR-940	E-8	31306-AAE-111	F-26B
23415-KPH-900	E-8	31500-KVT-801	F-22A
23421-AAN-410	E-8	31600-AAN-411	F-22
23431-AAN-410	E-8	31916-KPH-90099	E-1A
23441-AAN-410	E-8	32100-AAN-410	F-22
23451-AAN-410	E-8	32102-KTR-A30	F-3B

PART NO	BLOCK	PART NO	BLOCK
32108-GW6-700	F-22	35850-KR3-870	F-22B
32161-404-000	F-3B	35850-AAM-H01	F-22B
32401-AAN-500	F-22	35856-KBG-007	F-22B
32406-MAK-000	F-22	37100-AAN-421	F-2
32410-AAN-410	F-22	37110-AAN-411	F-2
32411-253-000	F-22	37111-AAN-421	F-2
32417-KTR-A10	F-22	37112-AAN-411	F-2
32601-AAN-410	E-5A	37203-AAN-411	F-2
32961-KPH-900	E-5	37243-323-000	F-15-IBS
33108-KRY-900	F-1	37243-323-000	F-15-W/O
33112-KTN-921	F-1	37800-AAN-410099	F-11-IBS
33120-AAN-401	F-1	37800-AAN-410099	F-11-W/O
33130-AAN-401	F-1	38110-AAN-701	F-23B
33401-AAR-001	F-19	38117-KFE-701	F-23B
33401-AAR-001	F-20	40510-AAN-410	F-16A
33402-AAS-001	F-19	40530-KCC-900	F-16
33402-AAS-001	F-20	40531-205-010	F-16
33405-AAN-40099	F-19	40543-KTR-900	F-9
33408-AAR-001	F-19	40545-ABA-000	F-16A
33408-AAR-001	F-20	40546-KPG-T00	F-9
33451-AAR-001	F-19	40546-KTR-900	F-9
33451-AAR-001	F-20	41201-AAJ-H00	F-9
33452-AAS-001	F-19	41241-AAN-410	F-9
33452-AAS-001	F-20	42301-KTR-700	F-9
33455-AAN-40099	F-19	42303-KTR-900	F-9
33605-AAN-40099	F-20	42304-KTC-900	F-9
33619-459-840A	F-14	42313-198-900	F-9
33655-AAN-40099	F-20	42601-AAN-411	F-9
33700-AAN-40099	F-21	42611-KTC-900	F-9
33706-ABA-000	F-1	42615-198-900	F-9
33714-KL3-620	F-23B	42620-KTR-700	F-9
33725-AAN-D01	F-18	42711-AAN-41099	F-9
33726-AAN-D01	F-18	42753-KWF-901	F-7
33729-AAN-401	F-18	42753-KWF-901	F-9
33740-AAB-000	F-6-IBS	43100-KTR-700	F-8-IBS
33740-AAB-000	F-6-W/O	43100-KTR-700	F-8-W/O
33741-KRY-861	F-5-W/O	43141-KTC-900	F-8-IBS
33741-AAG-B01	F-5-W/O	43141-KTC-900	F-8-W/O
33741-KST-920	F-18	43216-MAK-003	F-4B-W/O
33941-AAR-001	F-19	43314-AAN-G00	F-4A-IBS
33941-AAR-001	F-20	43410-AAN-E00	F-8-IBS
33946-AAR-001	F-19	43410-KCT-690	F-8-W/O
33946-AAR-001	F-20	43431-AAN-E00	F-17A-IBS
34351-AAB-401	F-18	43431-AAN-410	F-17A-W/O
34901-KSP-910	F-1	43434-286-000	F-8-IBS
34908-AAB-401	F-19	43434-286-000	F-8-W/O
34908-AAB-401	F-20	43441-AAN-E00	F-15A-IBS
34920-AAK-201	F-1	43447-AAN-E00	F-8A-IBS
35010-AAN-411	F-22B	43451-AAN-410	F-15A-W/O
35100-AAN-601	F-22B	43455-KSP-900	F-8-IBS
35106-KTC-900	F-6A	43456-KSP-900	F-8-IBS
35121-AAN-411	F-22B	43459-KSP-900	F-8-IBS
35122-AAN-411	F-22B	43510-AAN-G00	F-8A-IBS
35150-AAF-041	F-3B	43539-AAN-E00	F-8A-IBS
35200-AAN-K01	F-3B	43540-AAN-E00	F-8A-IBS
35330-413-003	F-3B	43550-AAN-E00	F-8A-IBS
35340-KCC-841	F-4-IBS	43551-AAN-E00	F-8A-IBS
35340-KCC-841	F-4-W/O	44301-KTR-700	F-7
35350-KTR-A00	F-22B	44311-KRC-900	F-7
35357-AAN-J00	F-15A-IBS	44601-AAN-421	F-7
35357-AAN-410	F-15A-W/O	44620-400-000	F-7
35751-KPH-900	E-5A	44680-410-000	F-7
35752-KRM-840	E-5A	44711-AAN-41099	F-7
35759-KTR-A01	E-5A	44800-KVE-901	F-2A

PART NO	BLOCK	PART NO	BLOCK
44804-KVE-901	F-2A	45526-KCC-841	F-4-W/O
44805-KVE-901	F-2A	45530-KCC-841	F-4-IBS
44809-170-000	F-2A	45530-KCC-841	F-4-W/O
44810-KTC-900	F-2A	46500-AAN-E00	F-15A-IBS
44830-AAN-410	F-2A	46500-AAN-410	F-15A-W/O
44830-KWA-830A	F-2A	46514-KCC-900	F-8-IBS
45107-KCC-841	F-4B-W/O	46514-KCC-900	F-8-W/O
45108-KCC-841	F-4B-W/O	46515-KB9-000	F-8-IBS
45125-AAH-F0099	F-8-IBS	46515-KB9-000	F-8-W/O
45125-AAH-F0099	F-8-W/O	50100-AAN-J10	F-23-IBS
45126-AAN-E00	F-4-IBS	50100-AAN-410	F-23-W/O
45126-KCC-840	F-4-W/O	50137-AAR-000	F-23-IBS
45132-KCC-841	F-4B-W/O	50137-AAR-000	F-23-W/O
45133-KCC-841	F-4B-W/O	50160-AAN-410	F-15-IBS
45133-KCC-900	F-8-IBS	50160-AAN-410	F-15-W/O
45133-KCC-900	F-8-W/O	50186-AAN-410	F-18
45134-250-000	F-8-IBS	50201-ACL-400	F-25-IBS
45134-250-000	F-8-W/O	50201-ACL-400	F-25-W/O
45145-KFM-900	F-8-IBS	50225-KTR-900	F-23-IBS
45145-KFM-900	F-8-W/O	50225-KTR-900	F-23-W/O
45155-AAN-420	F-4-W/O	50250-AAN-410	F-23-IBS
45155-AAN-E00	F-8A-IBS	50250-AAN-410	F-23-W/O
45156-KCC-840	F-4-W/O	50251-AAN-410	F-23-IBS
45156-AAN-E00	F-8A-IBS	50251-AAN-410	F-23-W/O
45156-AAN-G00	F-8A-IBS	50252-AAN-E00	F-15-IBS
45156-AAN-G000-20	F-8A-IBS	50261-ACL-400U	F-12-IBS
45220-AAN-E00	F-4A-IBS	50261-ACL-400R	F-12-W/O
45220-KCC-841	F-4B-W/O	50261-ACL-400S	F-12-W/O
45221-AAN-G00	F-4A-IBS	50261-ACL-400T	F-12-W/O
45250-AAN-E00	F-4A-IBS	50265-AAN-410	F-12-IBS
45250-KCC-841	F-4B-W/O	50265-AAN-410	F-12-W/O
45251-KSP-861	F-7	50271-ACL-400U	F-12-IBS
45290-KCC-841	F-4B-W/O	50271-ACL-400R	F-12-W/O
45352-KCC-841	F-4B-W/O	50271-ACL-400S	F-12-W/O
45353-KCC-841	F-4B-W/O	50271-ACL-400T	F-12-W/O
45451-ABA-000	F-5-IBS	50275-AAN-410	F-12-IBS
45451-ABA-000	F-5-W/O	50275-AAN-410	F-12-W/O
45504-KCC-841	F-4-IBS	50301-KTR-900	F-6B
45504-KCC-841	F-4-W/O	50301-ACL-400	F-25-IBS
45506-KCC-841	F-4-IBS	50301-ACL-400	F-25-W/O
45506-KCC-841	F-4-W/O	50350-AAN-410	F-23-IBS
45510-KVN-901	F-4-IBS	50350-AAN-410	F-23-W/O
45510-KVN-901	F-4-W/O	50400-ACL-410V	F-23A-IBS
45513-KCC-841	F-4-IBS	50400-ACL-400R	F-23A-W/O
45513-KCC-841	F-4-W/O	50400-ACL-400S	F-23A-W/O
45515-KVN-901	F-4-IBS	50400-AAN-410W	F-23A-W/O
45515-KVN-901	F-4-W/O	50450-ACL-410V	F-23A-IBS
45516-KCC-841	F-4-IBS	50500-KTR-A00	F-16A
45516-KCC-841	F-4-W/O	50505-KCC-900	F-14
45517-KCC-841	F-4-IBS	50507-AAB-400	F-16A
45517-KCC-841	F-4-W/O	50508-AAB-400	F-16A
45518-KCC-841	F-4-IBS	50509-AAB-400	F-16A
45518-KCC-841	F-4-W/O	50512-KTC-900	F-16A
45519-KCC-841	F-4-IBS	50524-001-000	F-10
45519-KCC-841	F-4-W/O	50530-KST-940	F-16A
45520-KCC-841	F-4-IBS	50603-AAN-410	F-15-IBS
45520-KCC-841	F-4-W/O	50603-AAG-300	F-15-IBS
45521-KCC-841	F-4-IBS	50603-AAN-410	F-15-W/O
45521-KCC-841	F-4-W/O	50603-AAG-300	F-15-W/O
45522-KCC-841	F-4-IBS	50614-413-000	F-15-IBS
45522-KCC-841	F-4-W/O	50614-413-000	F-15-W/O
45525-KCC-841	F-4-IBS	50618-AAG-300	F-15-IBS
45525-KCC-841	F-4-W/O	50618-AAG-300	F-15-W/O
45526-KCC-841	F-4-IBS	50619-AAG-300	F-15-IBS

PART NO	BLOCK	PART NO	BLOCK
50619-AAG-300	F-15-W/O	52400-KTR-841	F-17
50620-KTC-900	F-15-IBS	52410-KTR-901	F-17
50620-KTC-900	F-15-W/O	52486-056-000	F-17
50621-KTC-900	F-15-IBS	52486-KAG-900	F-17
50621-KTC-900	F-15-W/O	52489-399-600	F-17
50661-425-670	F-15-IBS	52495-098-000	F-17
50661-425-670	F-15-W/O	53100-AAN-410	F-3C
50701-AAN-E00	F-15-IBS	53105-KRC-900	F-3C
50701-AAN-410	F-15-W/O	53131-KTR-A20	F-3C
50702-AAN-410	F-15-IBS	53132-KZN-900	F-3C
50702-AAN-410	F-15-W/O	53132-124-000	F-6A
50710-461-770	F-15-IBS	53133-198-900	F-6A
50710-461-770	F-15-W/O	53134-028-000	F-6A
50712-438-730	F-15-IBS	53135-198-900	F-6A
50712-438-730	F-15-W/O	53136-198-900	F-6A
50713-438-730	F-15-IBS	53140-KTR-A20	F-3B
50713-438-730	F-15-W/O	53166-KTR-A20	F-3B
50715-KCC-900	F-15-IBS	53172-KTC-920	F-3B
50715-KCC-900	F-15-W/O	53175-KSP-900	F-4-IBS
50718-KCC-900	F-15-IBS	53175-KSP-900	F-4-W/O
50718-KCC-900	F-15-W/O	53178-AAF-H00	F-3B
50803-AAN-410	F-26	53179-KTC-900	F-3
51103-AAN-410	F-26A	53200-AAG-900	F-6B
51106-KCC-900	F-18A	53211-268-010	F-6B
51106-KCC-900	F-26A	53212-200-000	F-6B
51400-AAN-E00	F-6-IBS	53214-200-000	F-6B
51400-KTR-A11	F-6-W/O	53215-KTR-900	F-6B
51401-KST-941	F-6-IBS	53221-KTR-900	F-6B
51401-KST-941	F-6-W/O	53222-KTR-900	F-6B
51403-447-730	F-6-IBS	53230-KTR-940	F-6A
51403-KCC-900	F-6-IBS	53252-AAN-410	F-1A-IBS
51403-447-730	F-6-W/O	53252-AAN-410	F-1A-W/O
51403-KCC-900	F-6-W/O	61100-ACL-400R	F-5-W/O
51410-KWA-941	F-6-IBS	61100-ACL-400S	F-5-W/O
51410-KWA-941	F-6-W/O	61100-ACL-400T	F-5-W/O
51412-KAG-900	F-6-IBS	61102-AAN-410	F-5-IBS
51412-KWA-941	F-6-IBS	61102-AAN-410	F-5-W/O
51412-KAG-900	F-6-W/O	61103-KVE-860	F-1A-IBS
51412-KWA-941	F-6-W/O	61103-KVE-860	F-1A-W/O
51420-AAN-E00	F-6-IBS	61103-KTR-940	F-5-IBS
51420-KTR-A11	F-6-W/O	61103-KTR-940	F-5-W/O
51425-KST-901	F-6-IBS	61104-428-000	F-1A-IBS
51425-KST-901	F-6-W/O	61104-428-000	F-1A-W/O
51432-KST-901	F-6-IBS	61104-KTR-940	F-5-IBS
51432-KST-901	F-6-W/O	61104-KTR-940	F-5-W/O
51437-KVN-901	F-6-IBS	61105-ACL-410U	F-5-IBS
51437-KVN-901	F-6-W/O	61105-KTC-900	F-5-IBS
51440-KTR-901	F-6-IBS	61105-KTC-900	F-5-W/O
51440-KTR-901	F-6-W/O	61300-ACL-410U	F-1A-IBS
51500-AAN-E00	F-6-IBS	61301-ACL-400R	F-1A-W/O
51500-KTR-A11	F-6-W/O	61301-ACL-400S	F-1A-W/O
51520-AAN-E00	F-6-IBS	61301-ACL-400T	F-1A-W/O
51520-KTR-A11	F-6-W/O	61311-AAN-410	F-1A-IBS
52101-AAN-410	F-17A-IBS	61311-AAN-410	F-1A-W/O
52101-AAN-410	F-17A-W/O	61312-AAN-410	F-1A-IBS
52106-AAN-410	F-18A	61312-AAN-410	F-1A-W/O
52110-AAN-E00	F-17A-IBS	61312-149-300	F-12-IBS
52110-AAN-410	F-17A-W/O	61312-149-300	F-12-W/O
52147-KTC-900	F-17A-IBS	61313-AAN-410	F-1A-IBS
52147-KTC-900	F-17A-W/O	61313-AAN-410	F-1A-W/O
52170-KTR-900	F-17A-IBS	64100-ACL-200	F-1A-IBS
52170-KTR-900	F-17A-W/O	64100-ACL-200	F-1A-W/O
52185-AAN-G00	F-17A-IBS	64310-198-D20A	F-26C
52185-AAN-G00	F-17A-W/O	64315-AAN-410	F-1A-IBS

PART NO	BLOCK	PART NO	BLOCK
64315-AAN-410	F-1A-W/O	83600-ACL-400R	F-12-W/O
77110-AAC-H00	F-22B	83600-ACL-400S	F-12-W/O
77156-AAN-410	F-10	83600-ACL-400T	F-12-W/O
77160-AAN-410	F-10	83605-ACL-410U	F-12-IBS
77200-AAN-410	F-10	84701-KCC-860	F-18
77202-KCC-900	F-10A-IBS	84701-P26-D00A	F-26C
77202-KCC-900	F-10A-W/O	86173-ACL-410U	F-25-IBS
77202-KCC-900	F-18	86174-ACL-410U	F-25-IBS
77204-KCC-900	F-10	86673-ACL-410U	F-25-IBS
77206-KCC-900	F-10	86674-ACL-410U	F-25-IBS
77206-KTR-900	F-10	86771-ACL-400S	F-25-IBS
77209-KAG-900	F-21	86771-ACL-400R	F-25-W/O
77220-KY6-000	F-10	86772-ACL-400S	F-25-IBS
77235-AAN-410	F-21	86772-ACL-400R	F-25-W/O
77237-ACL-400U	F-10A-IBS	86773-ACL-410U	F-25-IBS
77237-ACL-400R	F-10A-W/O	86774-ACL-410U	F-25-IBS
77237-ACL-400S	F-10A-W/O	86780-ACL-410R	F-25-IBS
77237-ACL-400T	F-10A-W/O	86781-ACL-410U	F-25-IBS
77240-ACL-410U	F-10A-IBS	86782-ACL-410U	F-25-IBS
77240-ACL-400R	F-10A-W/O	86830-AAF-400	F-25-IBS
77240-ACL-400S	F-10A-W/O	86830-AAF-400	F-25-W/O
77240-ACL-400T	F-10A-W/O	86831-ACL-400S	F-25-IBS
77250-ACL-410U	F-10A-IBS	86831-ACL-400R	F-25-W/O
77250-ACL-400R	F-10A-W/O	86832-ACL-400S	F-25-IBS
77250-ACL-400S	F-10A-W/O	86832-ACL-400R	F-25-W/O
77250-ACL-400T	F-10A-W/O	86880-ACL-410R	F-25-IBS
77266-AAN-410	F-10A-IBS	87117-ACL-400S	F-25-IBS
77266-AAN-410	F-10A-W/O	87117-ACL-400R	F-25-W/O
77267-KTR-900	F-1A-IBS	87507-AAN-410	F-27
77267-KTR-900	F-1A-W/O	87509-AAP-000	F-13
77267-KTR-900	F-10A-IBS	87522-MAB-600	F-27
77267-KTR-900	F-10A-W/O	87560-AAN-410	F-27
77267-KTR-900	F-11-IBS	88110-AAN-410	F-3A
77267-KTR-900	F-11-W/O	88114-198-D10	F-3A
77267-KTR-900	F-12-IBS	88115-KTR-900	F-3A
77267-KTR-900	F-12-W/O	88120-AAN-410	F-3A
80100-AAN-410	F-18	89102-AAC-000	F-24
80101-443-000	F-1A-IBS	89102-KTC-900	F-24
80101-443-000	F-1A-W/O	89216-AAD-H00	F-24
80102-AAN-410	F-18	89216-KTC-900	F-24
80111-KVN-900	F-1A-IBS	90001-KTC-900	E-3B
80111-KVN-900	F-1A-W/O	90003-MY5-720	F-3A
80111-KVN-900	F-18	90005-KY7-000	E-2
80201-AAN-410	F-18	90012-333-000R	E-1C
80350-ABA-000	F-18A	90019-AAG-300	F-23-IBS
83098-AAN-410R	F-12-W/O	90019-AAG-300	F-23-W/O
83099-AAN-410R	F-12-W/O	90022-MG8-000	E-10
83402-AAN-410	F-1A-IBS	90031-KTC-900	E-3B
83402-AAN-410	F-1A-W/O	90033-KTC-900	E-3B
83407-KWA-830	F-11-IBS	90050-KFL-850	E-4
83407-KWA-830	F-11-W/O	90071-MB0-000	E-5A
83407-KTR-940	F-13	90083-KVH-900	E-2
83407-KTR-940	F-22A	90084-KTC-A20	E-3A
83500-ACL-400U	F-12-IBS	90085-KTC-920	E-5
83500-ACL-400R	F-12-W/O	90101-AAN-410	E-8
83500-ACL-400S	F-12-W/O	90101-087-720	F-10
83500-ACL-400T	F-12-W/O	90101-GE0-000	F-10A-IBS
83502-KCC-900	F-18A	90101-GE0-000	F-10A-W/O
83505-ACL-410U	F-12-IBS	90101-KTR-900	F-14
83545-KVN-900	F-12-IBS	90101-ABA-000	F-22A
83545-KVN-900	F-12-W/O	90102-GB2-720	F-1A-IBS
83551-300-000	F-11-IBS	90102-GB2-720	F-1A-W/O
83551-300-000	F-11-W/O	90102-KVN-900	F-3C
83600-ACL-400U	F-12-IBS	90102-GB2-720	F-18

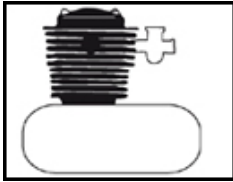
PART NO	BLOCK	PART NO	BLOCK
90105-MK5-010	F-7	90306-KTE-911	F-17
90105-KVN-900	F-12-IBS	90306-KF0-000	F-17A-IBS
90105-KVN-900	F-12-W/O	90306-KF0-000	F-17A-W/O
90107-KAN-900	F-14	90306-KVT-941	F-22A
90107-KST-940	F-14	90307-001-000	F-9
90107-GZ4-670	F-22B	90308-KWA-941	F-9
90108-223-000	F-16A	90311-MT3-000	F-13
90109-SB6-000	F-1A-IBS	90320-GC3-000	F-1A-IBS
90109-SB6-000	F-1A-W/O	90320-GC3-000	F-1A-W/O
90109-SB6-000	F-12-IBS	90320-GC3-000	F-10A-IBS
90109-SB6-000	F-12-W/O	90320-GC3-000	F-10A-W/O
90111-KCC-841	F-4-IBS	90320-GC3-000	F-18
90111-KCC-841	F-4-W/O	90324-KCC-900	F-11-IBS
90111-187-000	F-13	90324-KCC-900	F-11-W/O
90111-ABA-000	F-16A	90325-KCC-900	F-11-IBS
90111-187-000	F-18	90325-KCC-900	F-11-W/O
90111-KPL-900	F-18A	90380-AAR-001	F-19
90111-MR5-000	F-22	90380-AAR-001	F-20
90112-KCC-841	F-4-IBS	90403-AAG-501	E-4
90112-KCC-841	F-4-W/O	90407-259-000	E-3B
90114-310-000	F-3B	90412-187-000	E-8
90114-KCC-841	F-4-IBS	90412-KPH-900	E-8
90114-KCC-841	F-4-W/O	90432-086-000	E-6
90116-KAG-900	F-6-IBS	90435-HB3-000	E-10
90116-KAG-900	F-6-W/O	90439-SB2-010	E-5
90122-KVT-941	F-22A	90441-286-000	E-1A
90123-KRM-860	F-6-IBS	90441-ME9-000	E-1A
90123-KST-941	F-6-IBS	90441-KRM-840	E-3B
90123-KRM-860	F-6-W/O	90443-107-000	E-1A
90123-KST-941	F-6-W/O	90452-KGH-900	E-8
90133-331-770	F-17A-IBS	90452-KPH-900	E-9
90133-331-770	F-17A-W/O	90454-KPH-900	E-9
90145-MS9-610	F-4-IBS	90461-GB4-770	E-8
90145-MS9-610	F-4-W/O	90461-KTC-900	E-8
90145-MS9-610	F-8A-IBS	90501-GBL-730	E-4
90155-AAR-000	F-4A-IBS	90501-KCC-870	F-8A-IBS
90155-KY4-900	F-4B-W/O	90502-KRY-930	F-8-IBS
90183-KTC-900	F-17A-IBS	90502-198-900	F-8-W/O
90183-KTC-900	F-17A-W/O	90502-KRY-930	F-8A-IBS
90201-MW3-620	F-3A	90502-KRY-930	F-15A-IBS
90206-001-000	E-1C	90503-KTR-900	F-6A
90231-KM7-700	E-4	90505-425-000	F-8-IBS
90231-087-010	E-6	90505-425-000	F-8-W/O
90301-473-000	F-8-IBS	90521-292-000	F-6-IBS
90301-473-000	F-8-W/O	90521-292-000	F-6-W/O
90302-KTE-911	F-5-W/O	90544-KFN-851	F-6-IBS
90302-KTE-911	F-6-IBS	90544-439-930	F-6-W/O
90302-KTE-911	F-6-W/O	90545-300-000	F-4-IBS
90302-KTE-911	F-8A-IBS	90545-300-000	F-4-W/O
90302-KBP-900	F-9	90545-300-000	F-8A-IBS
90302-KTE-911	F-17A-IBS	90551-178-000	F-17A-IBS
90302-KTE-911	F-19	90551-178-000	F-17A-W/O
90303-KCC-841	F-4-IBS	90558-KTR-900	F-9
90303-KCC-841	F-4-W/O	90559-KTR-900	F-9
90304-GA6-000	F-6A	90563-355-000	F-1A-IBS
90304-KSP-900	F-6A	90563-355-000	F-1A-W/O
90304-AAN-410	F-14	90563-355-000	F-21
90306-KF0-000	F-7	90601-AAB-A00	E-8
90306-KST-942	F-7	90601-GF5-730	F-6-IBS
90306-KTE-911	F-7	90601-GF5-730	F-6-W/O
90306-KF0-000	F-9	90605-200-000	E-8
90306-KST-942	F-9	90605-200-000	E-9
90306-KTE-911	F-9	90651-KCC-841	F-4-IBS
90306-KST-942	F-17	90651-KCC-841	F-4-W/O

PART NO	BLOCK	PART NO	BLOCK
90702-GB6-910	E-1C	93500-04025-0G	F-13
90702-GB6-910	E-3	93500-05008-1A	F-15-IBS
90702-GB6-910	E-3A	93500-05008-1A	F-15-W/O
90702-GB6-910	E-6	93500-05010-1A	F-26C
90741-KFB-000	E-7	93891-05030-07	E-11A
90741-KGH-900	E-7	93893-05025-00	F-13
90753-029-000	F-9	93901-34310	F-1
90755-229-000	F-7	93901-22010	F-2
91001-KTC-900	E-3B	93901-32220	F-3B
91002-KTC-901	E-7	93901-AAR-001	F-19
91007-KPH-901	E-3	93901-AAR-001	F-20
91071-KTC-900	E-9	93901-24310	F-21
91204-MC7-003	E-3	93903-35380	F-1
91204-KPH-901	E-3B	93903-34380	F-1A-IBS
91208-KPH-901	E-3B	93903-34380	F-1A-W/O
91251-KPH-901	F-7	93903-22480	F-2
91255-KWA-941	F-6-IBS	93903-34110	F-2
91255-KWA-941	F-6-W/O	93903-34380	F-10A-IBS
91258-KEJ-900	F-7	93903-34380	F-10A-W/O
91301-AAN-410	E-1	93903-24380	F-12-IBS
91301-KTC-900	E-6	93903-24380	F-12-W/O
91301-KCC-770	E-11A	93903-35380	F-18
91303-377-000	E-3A	93903-35380	F-21
91303-719-000	E-4	93913-AAW-001	F-21
91304-704-000	F-9	94001-06070-0S	F-2
91305-028-150	E-1A	94001-05070-0S	F-3B
91305-KPH-900	E-5A	94001-08000-0S	F-8-IBS
91305-MC7-000	F-11-IBS	94001-08000-0S	F-8-W/O
91305-MC7-000	F-11-W/O	94001-06000-0S	F-9
91306-MG3-000	E-2	94001-08000-0S	F-17A-IBS
91307-035-000	E-6	94001-08000-0S	F-17A-W/O
91309-425-003	E-5A	94001-06000-0S	F-18
91320-MB0-000	E-5A	94002-08000-0S	F-3
91352-GAZ-930	F-2A	94002-10070-0S	F-3B
91356-KAG-900	F-6-IBS	94002-06000-0S	F-3B
91356-KAG-900	F-6-W/O	94002-10070-0S	F-3B
91372-KPH-900	E-1	94002-10000-0S	F-17
91406-KFN-850	F-13	94002-06000-0S	F-18
91455-MG8-000	F-3C	94030-10000	F-16A
91509-GE2-760	F-1A-IBS	94030-08000	F-23-IBS
91509-GE2-760	F-1A-W/O	94030-08000	F-23-W/O
91509-GE2-760	F-10A-IBS	94050-12000	E-5
91509-GE2-760	F-10A-W/O	94050-06000	F-3B
91540-AAN-410	F-13	94050-06000	F-11-IBS
91540-AAN-410	F-22	94050-06000	F-11-W/O
91551-AAB-100	F-26B	94050-08000	F-14
92000-06016-0A	F-15-IBS	94050-10000	F-14
92000-06016-0A	F-15-W/O	94050-10000	F-17A-IBS
92000-06012-0A	F-26C	94050-10000	F-17A-W/O
92101-06020-0A	F-15A-IBS	94050-08000	F-19
92101-08032-0A	F-15A-IBS	94050-08000	F-20
92101-06020-0A	F-15A-W/O	94050-06000	F-21
92101-08032-0A	F-15A-W/O	94050-06000	F-23-IBS
92800-12000-00	E-3B	94050-08000	F-23-IBS
92811-10000	F-8-IBS	94050-10000	F-23-IBS
92811-10000	F-8-W/O	94050-06000	F-23-W/O
92900-08028-0E	E-1A	94050-08000	F-23-W/O
93404-06012-00	F-1A-IBS	94050-10000	F-23-W/O
93404-06012-00	F-1A-W/O	94101-06000	F-15-IBS
93500-04008-1H	E-11	94101-08000	F-15-IBS
93500-04012-1H	E-11	94101-06000	F-15-W/O
93500-05014-1H	E-11	94101-08000	F-15-W/O
93500-05020-0G	F-3B	94101-12000	F-17
93500-05022-1G	F-3B	94101-08000	F-17A-IBS

PART NO	BLOCK	PART NO	BLOCK
94101-08000	F-17A-W/O	95701-06035-00	F-8-W/O
94101-10000	F-18A	95701-AAN-E00	F-8A-IBS
94101-05000	F-26C	95701-06012-07	F-8A-IBS
94103-06700	F-2	95701-06014-00	F-8A-IBS
94103-10000	F-14	95701-06012-00	F-10
94103-05800	F-15A-W/O	95701-06025-07	F-10A-IBS
94111-10000	F-17A-IBS	95701-06022-00	F-10A-IBS
94111-10000	F-17A-W/O	95701-06025-07	F-10A-W/O
94201-20150	F-8-IBS	95701-06022-00	F-10A-W/O
94201-20150	F-8-W/O	95701-06012-00	F-11-IBS
94201-16150	F-15-IBS	95701-06012-00	F-11-IBS
94201-16150	F-15-W/O	95701-08035-00	F-11-IBS
94201-20150	F-15A-IBS	95701-06012-00	F-11-W/O
94201-20150	F-15A-W/O	95701-06012-00	F-11-W/O
94201-30250	F-16A	95701-08035-00	F-11-W/O
94201-20150	F-17A-IBS	95701-08016-00	F-14
94201-20150	F-17A-W/O	95701-10045-07	F-15-IBS
94301-10120	E-1B	95701-10045-07	F-15-W/O
94301-10120	E-3B	95701-06012-00	F-18
94303-03050	E-7	95701-06020-00	F-18
94591-27000	F-10A-IBS	95701-06016-00	F-18
94591-27000	F-10A-W/O	95701-08016-07	F-18
95002-AAN-410	E-11	95701-06016-00	F-22
95002-02080	F-11-IBS	95701-06020-00	F-22
95002-02100	F-11-IBS	95701-06012-00	F-23-IBS
95002-02130	F-11-IBS	95701-06010-00	F-23-IBS
95002-02080	F-11-IBS	95701-06012-00	F-23-W/O
95002-02100	F-11-IBS	95701-06010-00	F-23-W/O
95002-02130	F-11-IBS	95701-08022-00	F-23A-IBS
95002-02080	F-11-W/O	95701-08022-00	F-23A-W/O
95002-02100	F-11-W/O	95701-06020-00	F-23B
95002-02130	F-11-W/O	95701-08016-00	F-26
95002-02080	F-11-W/O	95701-08016-00	F-26A
95002-02100	F-11-W/O	95701-08030-07	F-26A
95002-02130	F-11-W/O	95801-10055-00	F-14
95002-80000	F-13	95801-08035-00	F-15-IBS
95005-AAN-410	E-11	95801-08035-00	F-15-W/O
95011-51000	F-15A-IBS	95801-10040-07	F-17
95011-51000	F-15A-W/O	95801-10075-00	F-23-IBS
95014-73100	F-8-W/O	95801-10095-00	F-23-IBS
95014-72302	F-16A	95801-08075-00	F-23-IBS
95015-32001	F-8-W/O	95801-10075-00	F-23-W/O
95015-42000	F-8-W/O	95801-10095-00	F-23-W/O
95015-AAN-G00	F-8A-IBS	95801-08075-00	F-23-W/O
95018-50250	F-13	96001-06020-00	E-1
95701-06012-00	E-1C	96001-06095-00	E-1A
95701-06016-00	E-3B	96001-06014-00	E-2
95701-06025-00	E-5A	96001-06022-00	E-2
95701-06016-00	E-5A	96001-06040-00	E-3
95701-06035-00	E-6	96001-06025-00	E-3A
95701-06020-07	F-1A-IBS	96001-06028-00	E-3A
95701-06022-00	F-1A-IBS	96001-06035-00	E-3A
95701-06020-07	F-1A-W/O	96001-06055-00	E-3B
95701-06022-00	F-1A-W/O	96001-06060-00	E-3B
95701-06012-07	F-4-IBS	96001-06016-00	E-5
95701-06014-00	F-4-IBS	96001-06020-00	E-5
95701-06012-07	F-4-W/O	96001-06025-00	E-5
95701-06014-00	F-4-W/O	96001-06025-00	E-11A
95701-06014-00	F-4A-IBS	96001-06025-07	F-3B
95701-06012-07	F-4A-IBS	96100-60010-00	E-3B
95701-06020-00	F-5-IBS	96100-62010-00	E-3B
95701-06020-00	F-5-W/O	96100-62030-00	E-3B
95701-08040-00	F-6B	96100-62000-00	E-4
95701-06035-00	F-8-IBS	96140-63010-10	F-9

PART NO	BLOCK
96150-63010-10	F-7
96150-62030-10	F-9
96211-08000	E-7
96211-08000	F-15A-IBS
96211-08000	F-15A-W/O
96220-30085	E-10
96600-08025-00	F-22B
96700-06018-00	E-10
96700-06018-00	F-8A-IBS
96700-05035-10	F-26B
98200-31000	F-22
98200-31500	F-22
98200-32000	F-22B
99001-14170	F-24
99007-45000	F-24
99101-AAN-410	E-11
99103-AAN-410	E-11

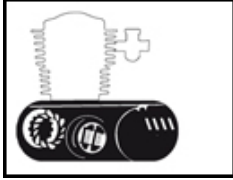
BLOCK INDEX - GROUP Engine - Ignitor 125 i3S EURO III (JUL, 2020).



E-1
E-1A
E-1B
E-1C
E-2
E-3
E-3A
E-3B

CYLINDER /COVER CYLINDER HEAD
CYLINDER /CYLINDER HEAD/SPARK, PLUG
CYLINDER / CYLINDER HEAD
CYLINDER /CYLINDER HEAD/CAM SHAFT/VALVE
CAM CHAIN TENSIONER
RIGHT CRANK CASE COVER
LEFT CRANK CASE COVER
CRANK CASE

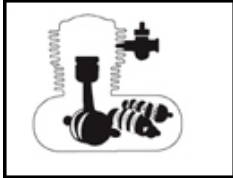
1
2
3
4
5
6
7
8



E-4
E-5
E-5A
E-6
E-7

CLUTCH
A.C.GEN. ASSY. /STARTING CLUTCH (ELEC.)
STARTER MOTOR (ELEC.)
OIL PUMP ASSY.
CRANK SHAFT/PISTON

9
10
11
12
13
















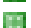





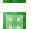











































E-8
E-9
E-10
E-11
E-11A

TRANSMISSION
KICK STARTER
GEAR SHIFT
CARBURETTOR
INLET PIPE/PIPE COMP. AIR FEED

14
15
16
17
18

BLOCK INDEX - GROUP Frame - Ignitor 125 i3S EURO III (JUL, 2020).

	F-1	LIGHT ASSY. HEAD	19
	F-1A-IBS	FRONT COVER	20
	F-1A-W/O	FRONT COVER	21
	F-2	SPEEDOMETER ASSY.	22
	F-2A	SPEEDOMETER GEAR /SPEEDOMETER CABLE	23
	F-3	CONTROL CABLE	24
	F-3A	MIRROR ASSY.	25
	F-3B	HANDLE LEVER/SWITCH/CONTROL CABLE	26
	F-3C	HANDLE PIPE/TOP BRIDGE	27
	F-4-IBS	FRONT BRAKE (MASTER CYL.)	28
	F-4-W/O	FRONT BRAKE (MASTER CYL.)	29
	F-4A-IBS	FRONT BRAKE (CALIPER ASSY. 'R' FR.) (IBS)	30
	F-4B-W/O	FRONT BRAKE (CALIPER ASSY. 'R' FR.) (W/O IBS)	31
	F-5-IBS	FRONT FENDER	32
	F-5-W/O	FRONT FENDER	33
	F-6-IBS	FRONT FORK	34
	F-6-W/O	FRONT FORK	35
	F-6A	TOP BRIDGE	36
	F-6B	STEERING STEM	37
	F-7	FRONT WHEEL	38
	F-8-IBS	REAR BRAKE PANEL	39
	F-8-W/O	REAR BRAKE PANEL	40
	F-8A-IBS	REAR BRAKE (ACTUATOR ASSY.)	41
	F-9	REAR WHEEL	42
	F-10	SEAT ASSY. DOUBLE	43
	F-10A-IBS	BODY COVER	44
	F-10A-W/O	BODY COVER	45
	F-11-IBS	FUEL TANK	46
	F-11-W/O	FUEL TANK	47
	F-12-IBS	SIDE COVER	48
	F-12-W/O	SIDE COVER	49
	F-13	AIR CLEANER	50
	F-14	MUFFLER	51
	F-15-IBS	STEP ASSY.	52
	F-15-W/O	STEP ASSY.	53
	F-15A-IBS	PEDAL GEAR CHANGE/KICK STARTER /PEDAL BRAKE	54
	F-15A-W/O	PEDAL GEAR CHANGE/KICK STARTER /PEDAL BRAKE	55
	F-16	CHAIN DRIVE & DRIVE SHAFT	56
	F-16A	CHAIN CASE / STAND	57
	F-17	REAR CUSHION	58
	F-17A-IBS	SWINGARM/CHAIN CASE	59
	F-17A-W/O	SWINGARM/CHAIN CASE	60
	F-18	REAR FENDER	61
	F-18A	HUGGER FENDER	62
	F-19	FR WINKER	63
	F-20	RR WINKER	64
	F-21	TAIL LIGHT	65
	F-22	WIRE HARNESS	66
	F-22A	BATTERY ASSY.	67
	F-22B	SWITCH ASSY ./RELAY / LOCK ASSY./ KEY BLANK	68
	F-23-IBS	FRAME BODY	69
	F-23-W/O	FRAME BODY	70
	F-23A-IBS	GRIP REAR	71
	F-23A-W/O	GRIP REAR	72
	F-23B	HORN	73
	F-24	TOOLS	74
	F-25-IBS	STRIPES/MARKS	75
	F-25-W/O	STRIPES/MARKS	89
	F-26	GUARD ENGINE (OPTIONAL)	97
	F-26A	GUARD SARI	98
	F-26B	GARNISH/USB CHARGER TPMS ASSY/GRIP COVER (OPTIONAL)	99
	F-26C	NUMBER PLATE FR./RR. (OPTIONAL)	100
	F-27	CAUTION LABEL	101