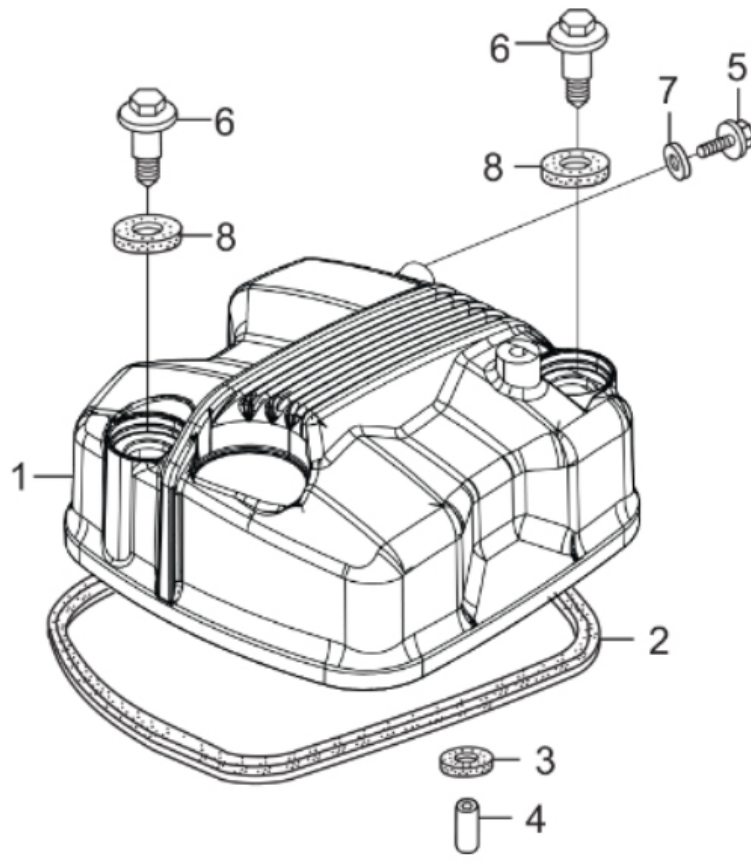


# **PARTS CATALOGUE**

**Hunk 160R FI BSVI (Apr, 2020)**

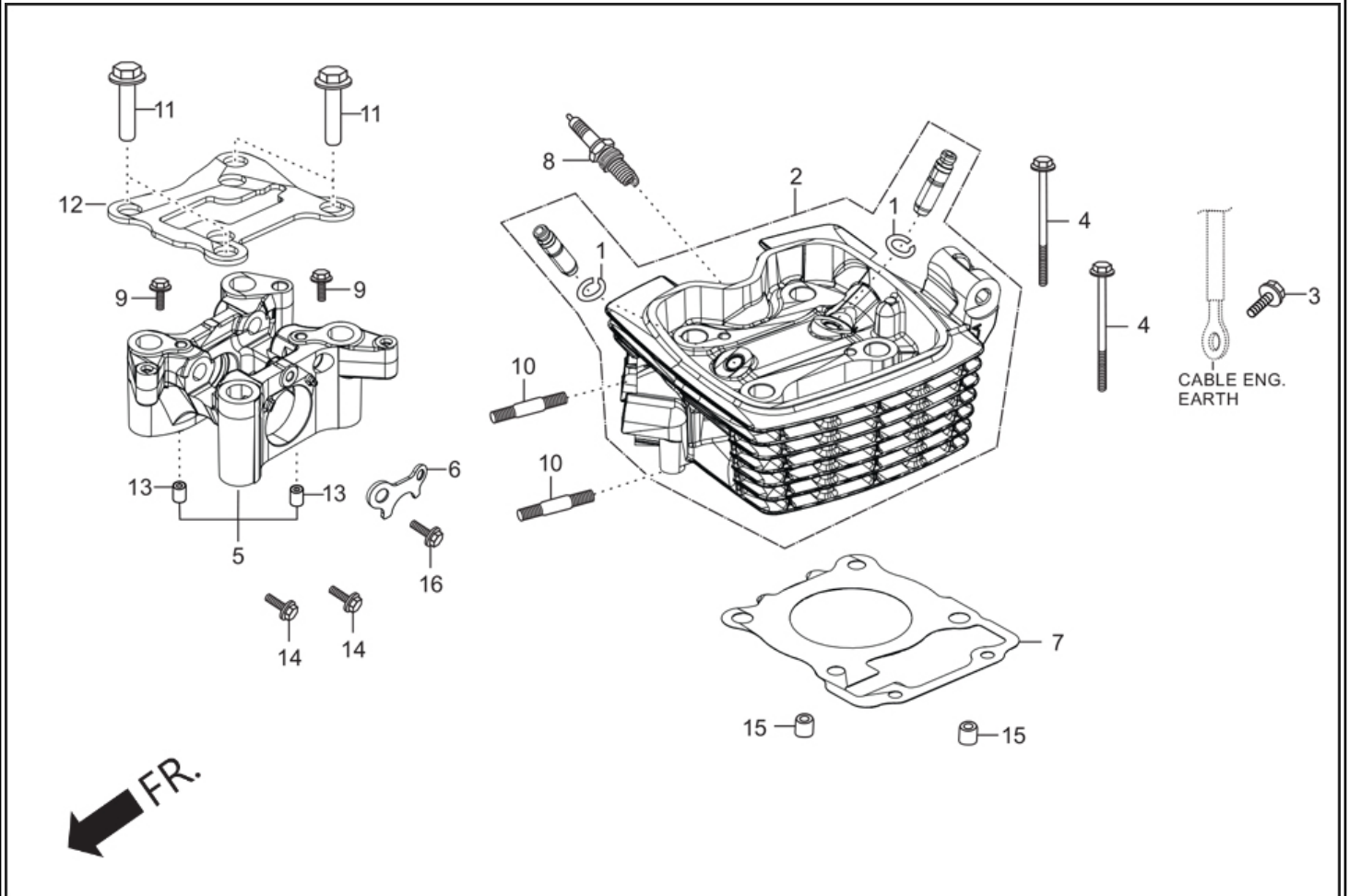
## E-1 : CYLN. & CYLN HEAD (CYLINDER HEAD COVER)



**Group Number:** E-1 Model :: Hunk 160R FI BSVI (Apr, 2020)

Ref No.	Part Number	Description	Req.
1	12311-ABZ-000	COVER CYLINDER HEAD	1
2	12391-KRM-840	GASKET, HEAD COVER	1
3	12396-KRM-840	GASKET,B, HEAD COVER	1
4	94301-08140	DOWEL PIN, 8X14	1
5	96001-06012-00	BOLT,FLANGE,SH,.6 X 12	1
6	90003-KFG-000	BOLT, L COVER	2
7	90463-KRM-840	WASHER SEALING 6.2 MM	1
8	90543-MV9-670	RUBBER, MOUNT	2

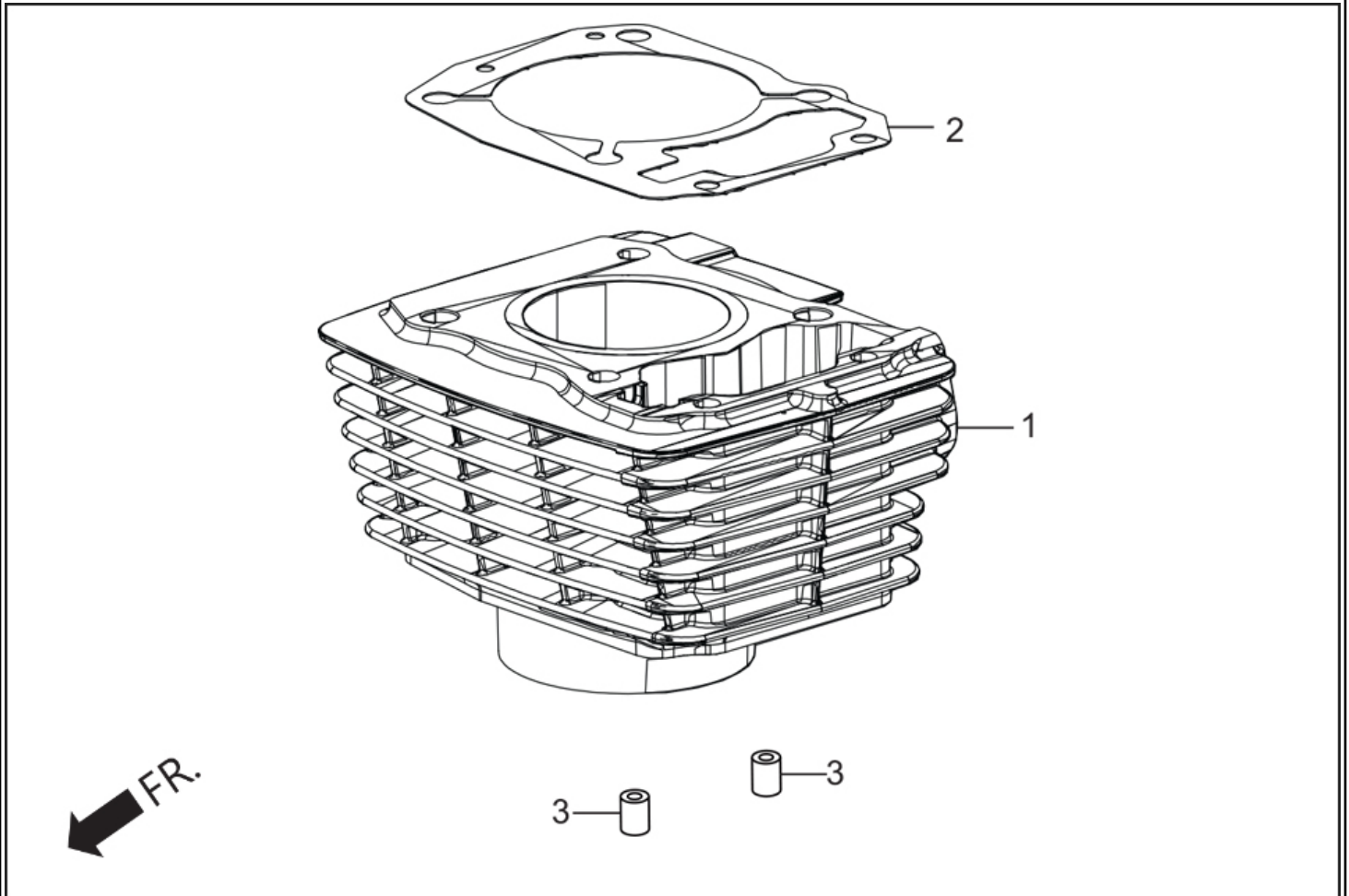
## E-1A : CYLN. & CYLN HEAD (CYLINDER HEAD)



**Group Number:** E-1A Model :: Hunk 160R FI BSVI (Apr, 2020)

Ref No.	Part Number	Description	Req.
1	12213-KSP-910	CLIP VALVE GUIDE	2
2	12200-ABZ-000	HEAD COMP CYLINDER	1
3	95701-06016-00	BOLT, FLANGE, 6X16	1
4	95701-06115-00	BOLT FLANGE 6X115	2
5	12210-ABZ-000	HOLDER COMP. CAM SHAFT	1
6	12212-KRM-840	PLATE, STOPPER	1
7	12251-ABZ-000	GASKET, CYLINDER HEAD	1
8	31916-KRM-84099	SPARK PLUG	1
9	90002-KRM-840	BOLT, FLANGE 5X14	2
10	90040-KSP-910	BOLT STUD 8 X 22	2
11	90306-KRM-840	NUT CYLINDER HEAD	4
12	12214-ABZ-000	PLATE STIFFENER	1
13	90704-KRM-840	DOWEL PIN 6 X10	2
14	96001-06016-00	BOLT, FLANGE SH. 6 X 16	2
15	94301-10120	DOWEL PIN, 10X12	2
16	95701-06014-00	BOLT, FLANGE, 6 X 14	1

## E-1B : CYLN. & CYLN HEAD (CYLINDER)

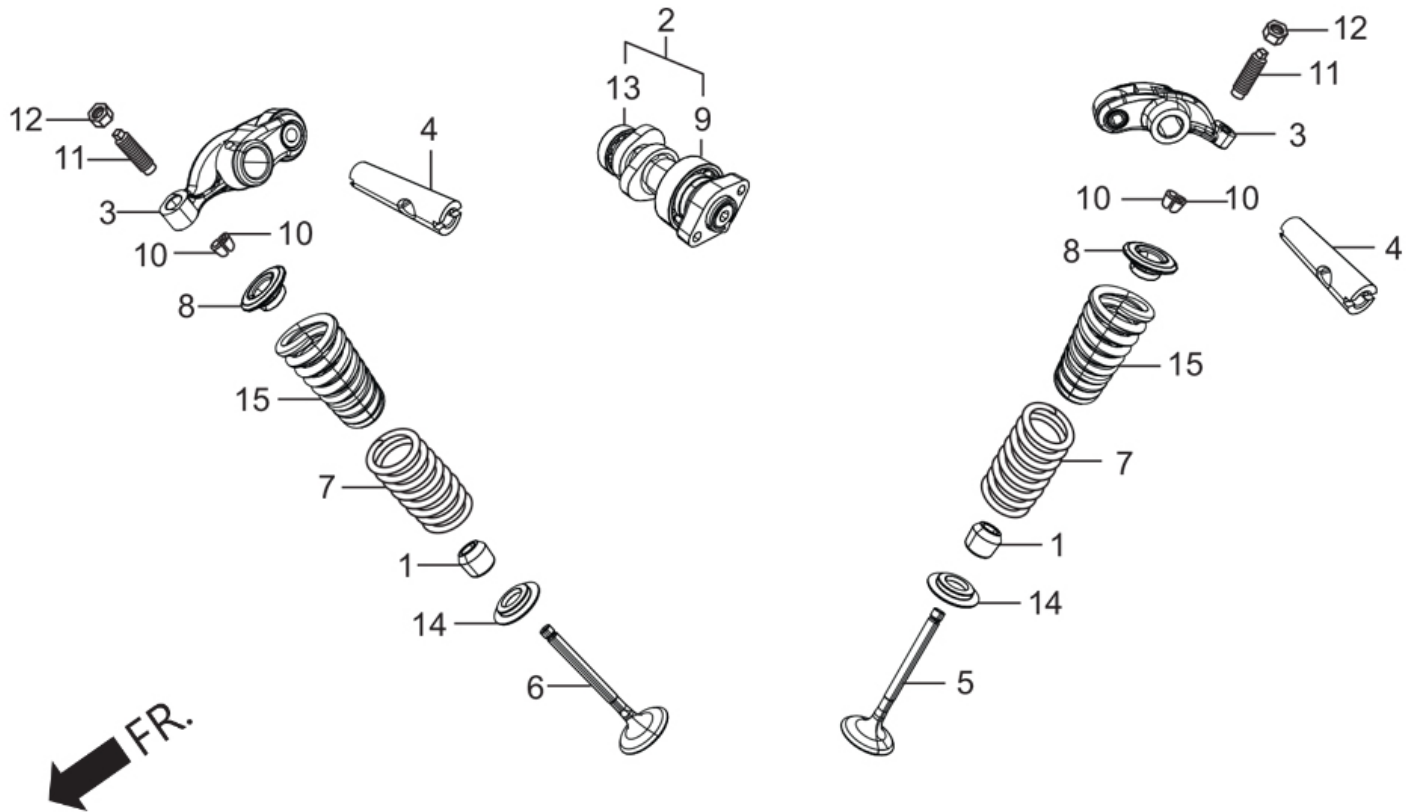


Group Number: E-1B Model :: Hunk 160R FI BSVI (Apr, 2020)

Ref No.	Part Number	Description	Req.
1	12100-ABZ-000	CYLINDER COMP	1
2	12191-ABZ-000	GASKET CYL	1
3	94301-10120	DOWEL PIN, 10X12	2



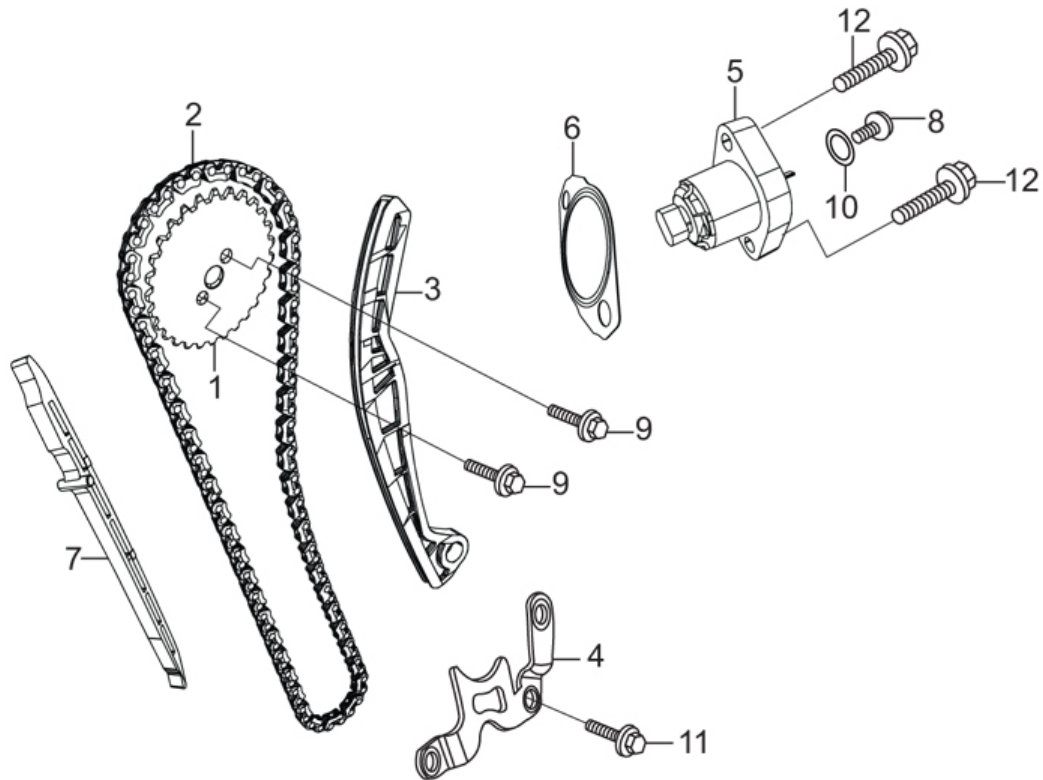
## E-1C : CYLN. & CYLN HEAD (CAM SHAFT / VALVE)



**Group Number:** E-1C Model :: Hunk 160R FI BSVI (Apr, 2020)

Ref No.	Part Number	Description	Req.
1	12209-AAN-410	SEAL VALVE STEM	2
2	14100-ABZ-000	SHAFT, COMP CAM	1
3	14430-ABZ-000	ARM COMP. VALVE ROCKER	2
4	14451-KRM-840	SHAFT, ROCKER ARM	2
5	14711-KSP-910	VALVE, INLET	1
6	14721-KVE-900	VALVE, EXH.	1
7	14751-AAB-100	SPRING VALVE OUTER	2
8	14771-KSP-910	RETAINER, VALVE SPRING	2
9	91007-KTN-900	BRG. BALL RADIAL, 17 X 35 X 10	1
10	14781-MA6-000	COTTER, VALVE	4
11	90012-KK3-830	SCREW, TAPPET ADJUSTING	2
12	90206-250-000	NUT, TAPPET ADJUSTING	2
13	91008-AAB-A01	BRG. BALL RADIAL 12X28X8	1
14	14777-KSP-910	SEAT, VALVE SPRING	2
15	14761-AAB-100	SPRING VALVE INNER	2

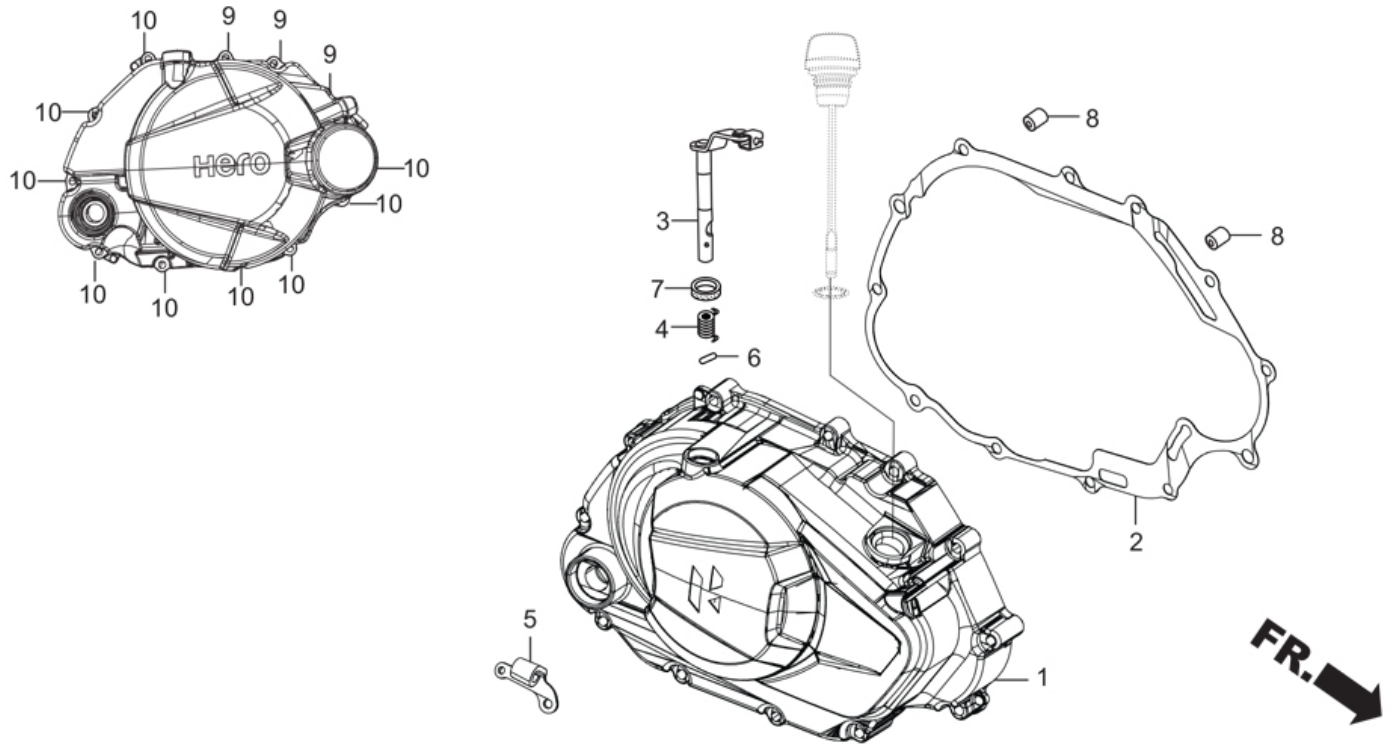
## E-2 : CAM SHAFT (CAM CHAIN TENSIONER)



**Group Number:** E-2 **Model ::** Hunk 160R FI BSVI (Apr, 2020)

Ref No.	Part Number	Description	Req.
1	14321-KRM-840	SPROCKET, CAM, (34T)	1
2	14401-ABZ-000	CHAIN CAM (BORG WARNER)	1
3	14510-ABZ-000	TENSIONER CAM CHAIN	1
4	14515-ABZ-000	PLATE TENSIONER SET	1
5	14520-AAB-A0099	LIFTER ASSY TENSIONER	1
6	14560-KSP-910	GASKET, TENSIONER LIFTER	1
7	14610-ABZ-000	GUIDE, CAM CHAIN	1
8	95701-06006-00	BOLT FLANGE 6X6	1
9	90083-KRM-840	BOLT, KNOCK, 5 MM	2
10	91306-MG3-000	O- RING, 1.5X9.5	1
11	95701-06016-00	BOLT, FLANGE, 6X16	1
12	96001-06022-00	BOLT, FLANGE, SH. 6 X 22	2

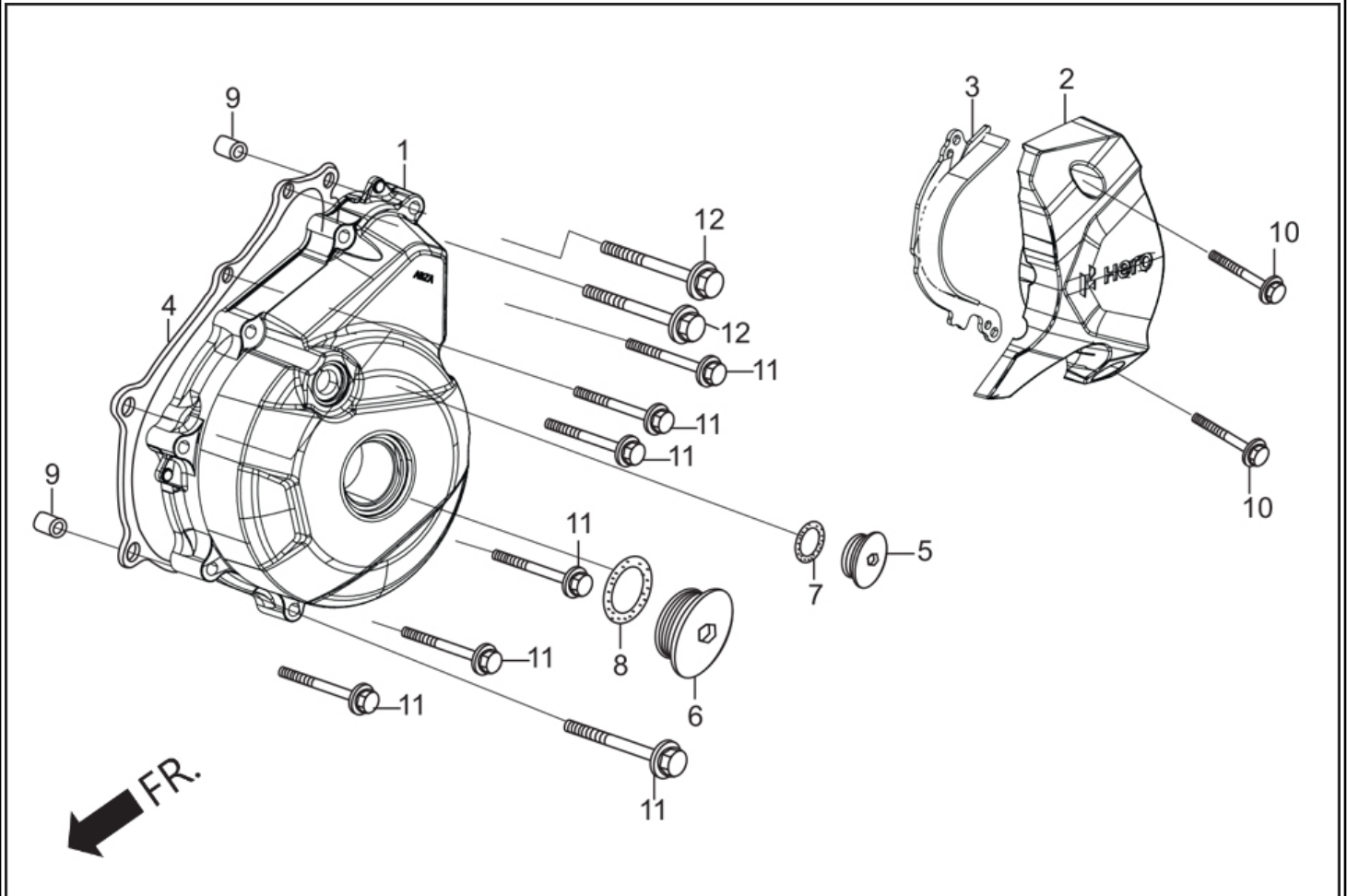
### E-3 : CRANK CASE & COVER (RIGHT CRANK CASE COVER)



Group Number: E-3 Model :: Hunk 160R FI BSVI (Apr, 2020)

Ref No.	Part Number	Description	Req.
1	11330-ABZ-000	COVER COMP R CRANK CASE	1
2	11393-ABZ-000	GASKET, R COVER	1
3	22810-KVE-900	LEVER COMP., CLUTCH	1
4	22815-428-000	SPRING, CLUTCH LEVER	1
5	22821-ABZ-000	RECEIVER CLUTCH CABLE	1
6	90701-KFN-850	PIN, SPRING, 3 X 10	1
7	91202-KSP-911	OIL SEAL, 12 X 18 X 4	1
8	94301-08140	DOWEL PIN, 8X14	2
9	96001-06030-00	BOLT, FLANGE, SH., 6 X 30	3
10	96001-06040-00	BOLT, FLANGE, SH. 6 X 40	9

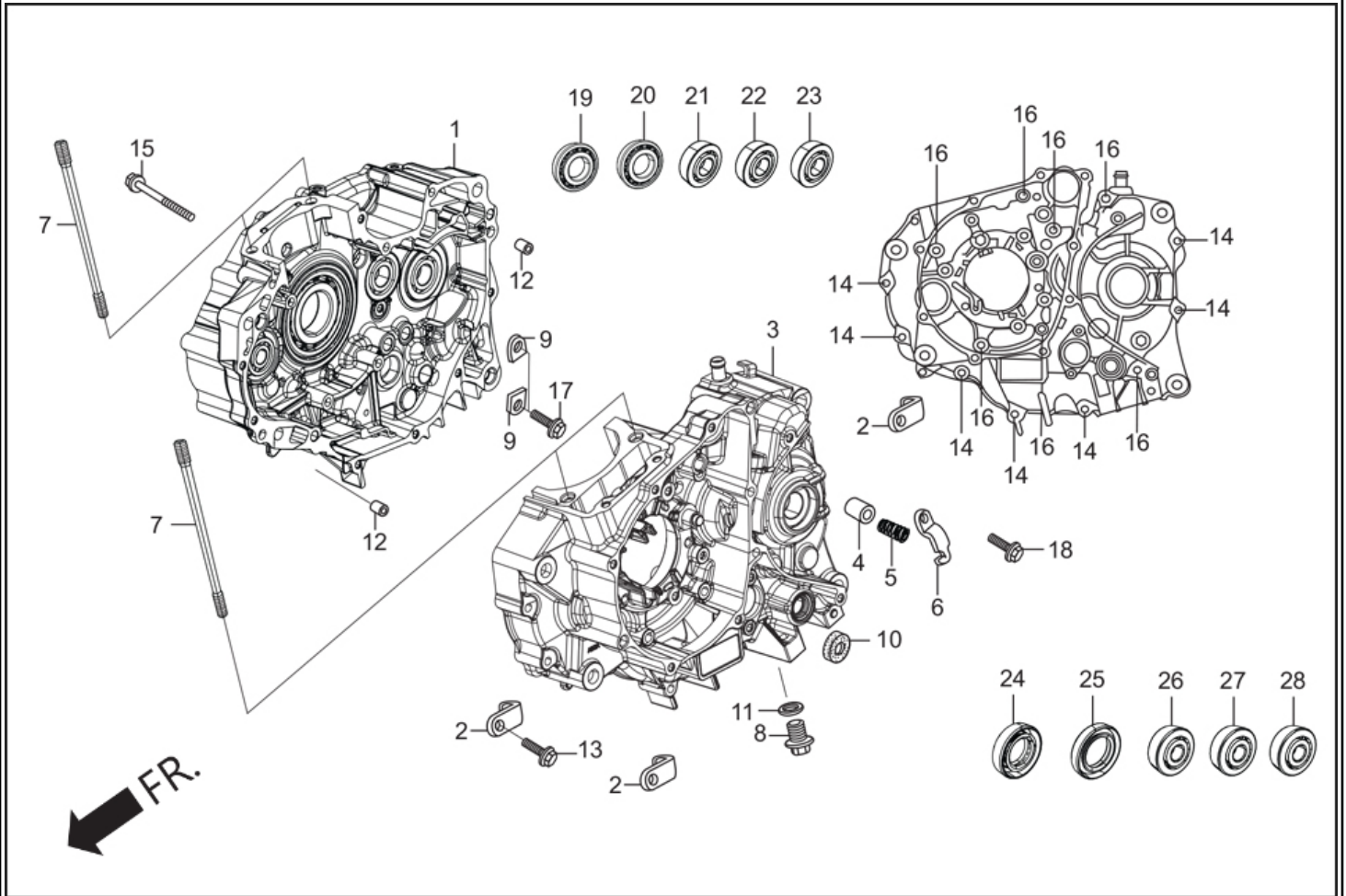
### E-3A : CRANK CASE & COVER (LEFT CRANK CASE COVER)



Group Number: E-3A Model :: Hunk 160R FI BSVI (Apr, 2020)

Ref No.	Part Number	Description	Req.
1	11341-ABZ-000	COVER LEFT CRANK CASE	1
2	11360-ABZ-000	COVER COMP. REAR	1
3	11365-AAB-A00	GUIDE DRIVE CHAIN	1
4	11395-ABZ-000	GASKET , L COVER	1
5	90084-KVE-930	CAP 14 MM	1
6	90087-KVE-900	CAP, 32 MM	1
7	91303-KRM-840	O-RING 13.8 X 2.5	1
8	91305-KRM-840	O-RING 31.7 X 2.4	1
9	94301-08140	DOWEL PIN, 8X14	2
10	96001-06030-00	BOLT, FLANGE, SH., 6 X 30	2
11	96001-06035-00	BOLT, FLANGE, SH. 6 X 35	7
12	96001-06045-00	BOLT, FLANGE, SH. 6 X 45	2

## E-3B : CRANK CASE & COVER (CRANK CASE)

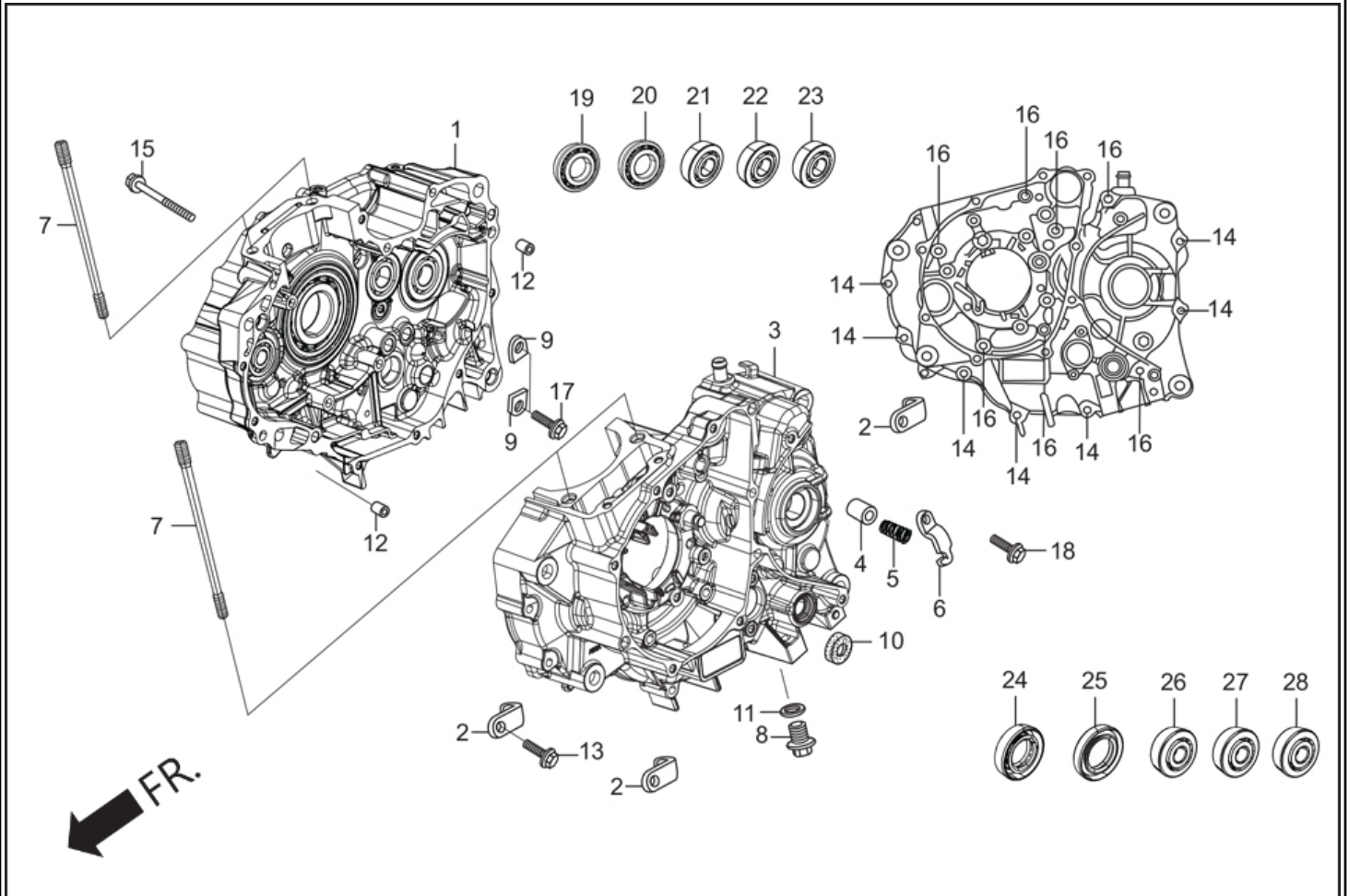


**Group Number: E-3B Model :: Hunk 160R FI BSVI (Apr, 2020)**

Ref No.	Part Number	Description	Req.
1	1110A-ABZ-000	R CRANKCASE INSTL DWG	1
2	11108-KTN-900	PLATE L BRG SET	3
3	1120A-ABZ-000	L CRANKCASE INSTL DWG	1
4	11215-KSP-910	PLUG BRG PUSH	1
5	11216-AAB-A00	SPRING BRG PUSH	1
6	11217-KRM-840	PLATE BRG PUSH	1
7	90031-ABZ-000	BOLT STUD CYLINDER	4
8	90131-KRM-840	BOLT, PLUG, DRAIN, 12 MM	1
9	90441-KRM-840	PLATE, BRG. HOLD	2
10	91203-KSP-910	OIL SEAL, 14 X 22 X 5	1
11	94109-12000	WASHER, PLUG, DRAIN	1
12	94301-08140	DOWEL PIN, 8X14	2
13	95701-06016-00	BOLT, FLANGE, 6X16	1
14	95701-06040-00	BOLT FLANGE 6X40	7
15	95701-06045-00	BOLT, FLANGE, SH. 6 X45	1
16	95701-06070-00	BOLT, FLANGE, SH. 6 X70	7
17	96001-06018-00	BOLT, FLANGE, 6 X 18	2
18	95701-06014-00	BOLT, FLANGE, 6 X 14	1
19	91001-ABZ-000	BRG BALL 35X72X15	1
20	91001-ABZ-002	BRG BALL 72X35X15	1
21	91003-KSP-910	BRG. BALL RADIAL, 17 X 42 X 12	1
22	91004-KTN-900	BRG. BALL RADIAL, 17 X 40 X 12	1
23	96100-AAN-B0499	BEARING, RADIAL BALL, 6203	1
24	91204-MC7-003	OIL SEAL, 16 X 28 X 7	1

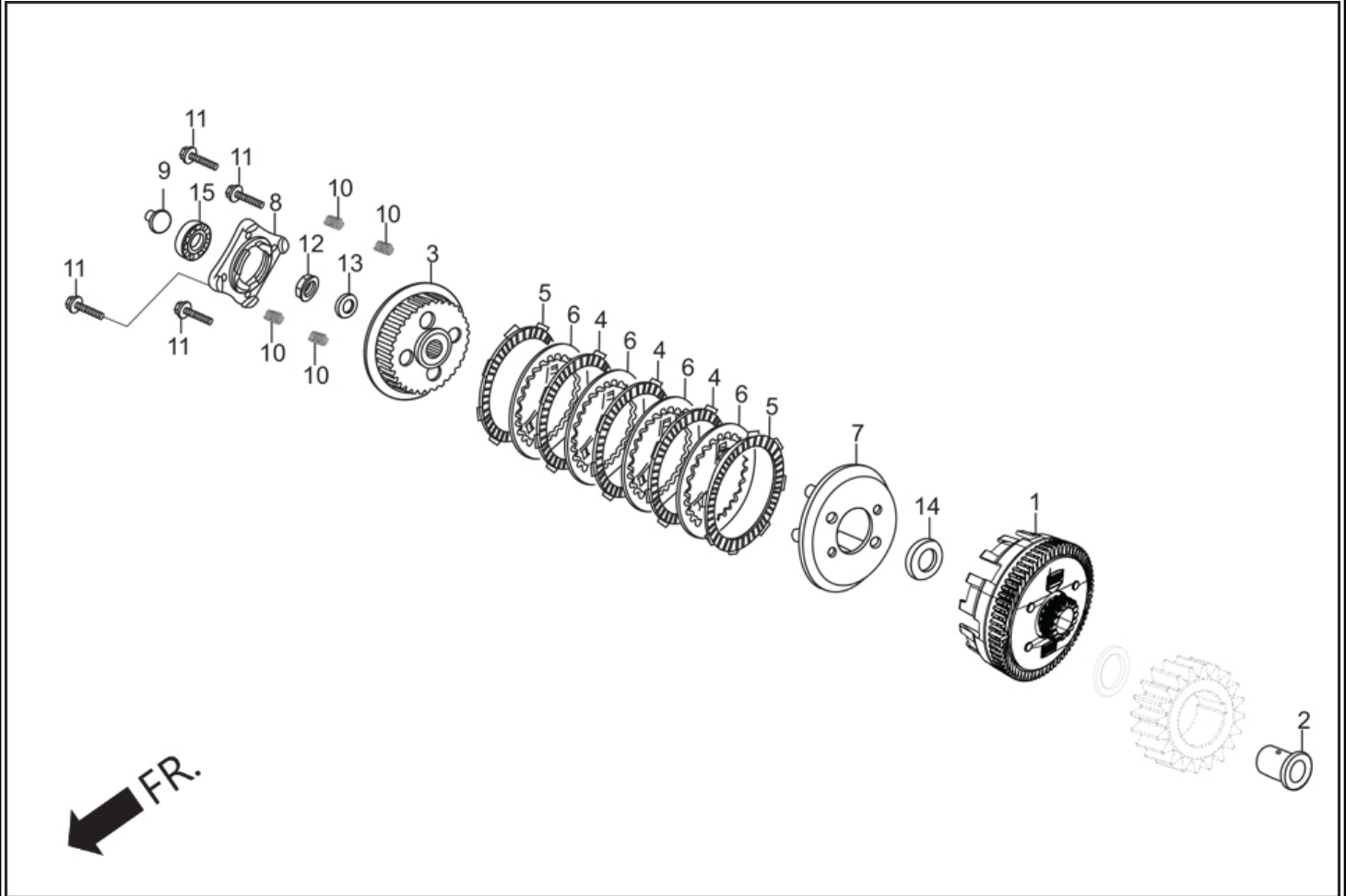


## E-3B : CRANK CASE & COVER (CRANK CASE)



25	91216-KSP-910	OIL SEAL	1
26	91005-KTN-900	BRG. BALL RADIAL, 12 X 32 X 10	1
27	91004-ABF-000	BALANCER SHAFT BEARING LH	1
28	91001-GF6-000	BEARING, RADIAL BALL, 6304	1

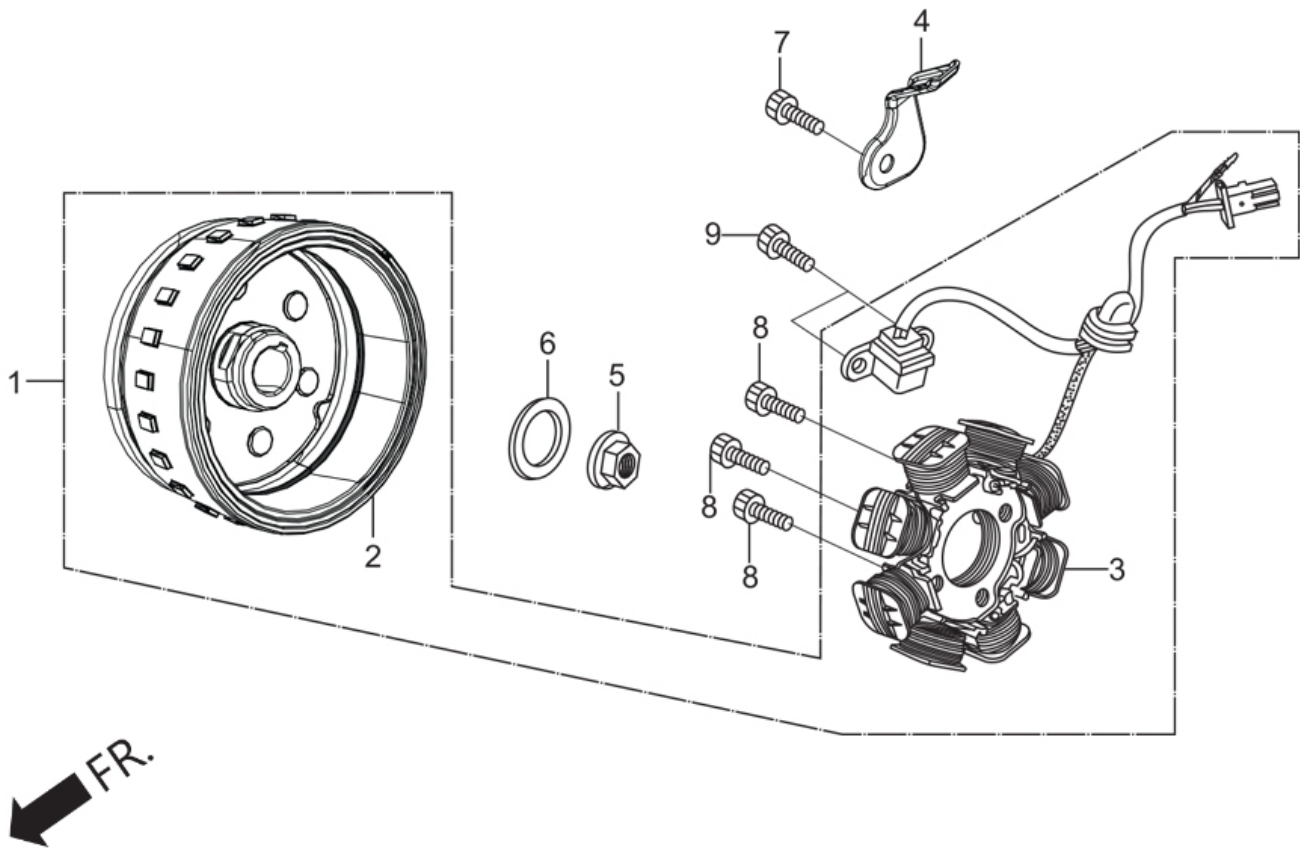
## E-4 : CLUTCH



**Group Number:** E-4 Model :: Hunk 160R FI BSVI (Apr, 2020)

Ref No.	Part Number	Description	Req.
1	22100-ABZ-000	OUTER COMP. CLUTCH	1
2	22115-KSP-910	GUIDE, CLUTCH OUTER	1
3	22120-KRM-840	CENTRE CLUTCH	1
4	22201-KPM-850	DISK,CLUTCH FRICTION,4 X 8 X 45	3
5	22201-MR8-000	DISC CLUTCH FRICTION	2
6	22321-KPS-900	PLATE, CLUTCH	4
7	22355-KRM-840	PLATE, CLUTCH PRESSURE	1
8	22361-KPK-900	PLATE,CLUTCH LIFTER	1
9	22366-KSP-910	ROD, CLUTCH LIFTER	1
10	22401-KRM-840	SPRING CLUTCH	4
11	90008-KRM-840	BOLT, FLANGE 6 X 25	4
12	90202-KRM-840	NUT SPL FLANGE 14MM	1
13	90401-KRM-840	WASHER PLAIN 17MM	1
14	90501-KPT-A00	WASHER 14.1X29X2.8	1
15	96100-60030-00	BEARING, RADIAL BALL, 6003	1

## E-5 : ELECTRICALS (AC GEN ASSY)

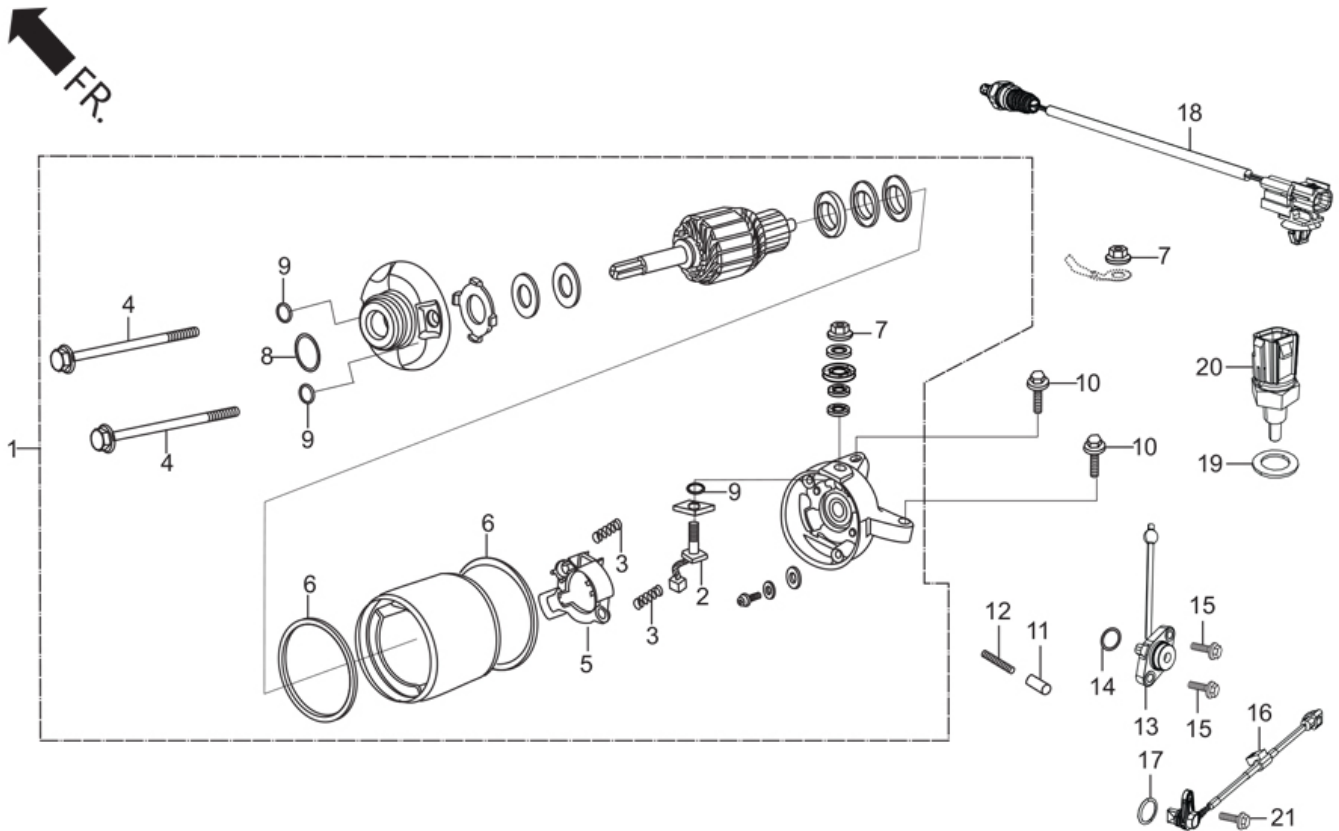


Group Number: E-5 Model :: Hunk 160R FI BSVI (Apr, 2020)

Ref No.	Part Number	Description	Req.
1	31100-ABZ-001	AC GEN ASSY	1
2	31110-ABZ-001	FLYWHEEL COMP	1
3	31120-ABZ-001	STATOR COMP	1
4	32111-ABZ-000	CLAMPER ACG CORD	1
5	90201-KRM-840	NUT, FLANGE, 14 MM	1
6	90501-KPT-A00	WASHER 14.1X29X2.8	1
7	96600-06016-00	BOLT, SOCKET, 6 X 16	1
8	96700-06032-10	BOLT, SOCKET, 6X32	3
9	90083-KVH-900	BOLT, KNOCK, 5 MM	2



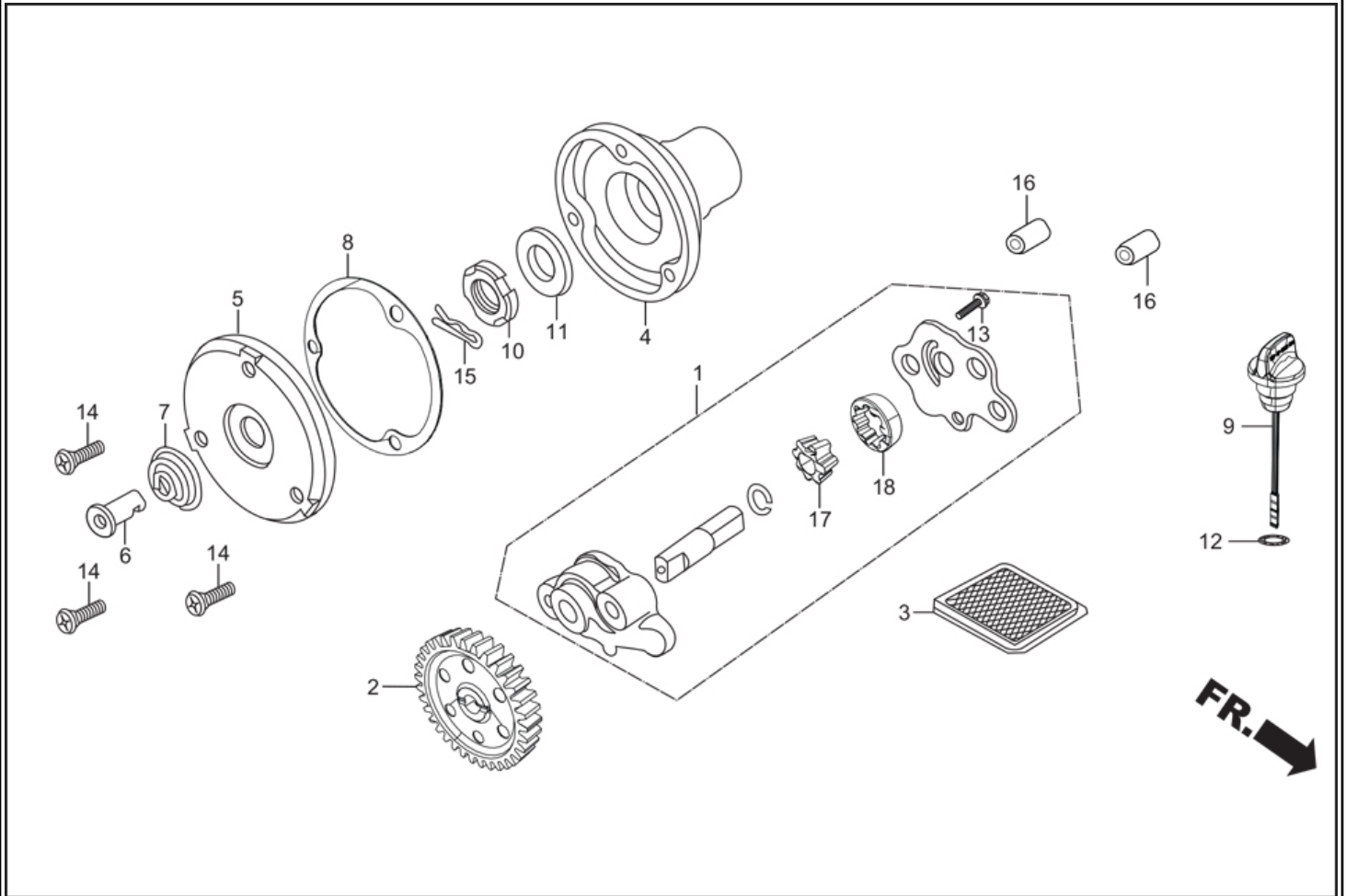
## E-5A : ELECTRICALS (STARTER MOTOR)



**Group Number:** E-5A Model :: Hunk 160R FI BSVI (Apr, 2020)

Ref No.	Part Number	Description	Req.
1	31200-KSP-901	MOTOR ASSY., STARTER	1
2	31201-KPT-A01	BRUSH, TERMINAL SET	1
3	31204-KG8-004	BRUSH, SPRING	2
4	31205-KTC-921	BOLT, SET	2
5	31206-KPH-881	BRUSH, HOLDER SET	1
6	31207-MBE-008	RING	2
7	90071-MB0-000	NUT, WASHER, 6 MM	2
8	91309-425-003	O RING 24.4X3.1	1
9	91320-MB0-000	O RING	3
10	95701-06022-00	BOLT, FLANGE, SH. 6 X 22	2
11	35751-KPH-900	CAP, CONTACT CHANGE SW.	1
12	35752-KRM-840	SPRING, CONN. CHANGE SW.	1
13	35759-AAB-000	CONTACT ASSY NEUTRAL SW	1
14	91305-KPH-900	O-RING,19.4 X 2.3	1
15	95701-06020-00	BOLT, FLANGE, 6X20	2
16	37700-ABZ-001	SPEED SENSOR ASSY	1
17	37701-ABZ-001	O RING SPEED SENSOR	1
18	36532-AAF-401	OXYGEN SENSOR(NON HEATED)	1
19	90443-MB0-000	WASHER SEALING, 10MM	1
20	37750-AAF-401	SENSOR ASSY T-OIL	1
21	96001-06012-00	BOLT,FLANGE,SH.,6 X 12	1

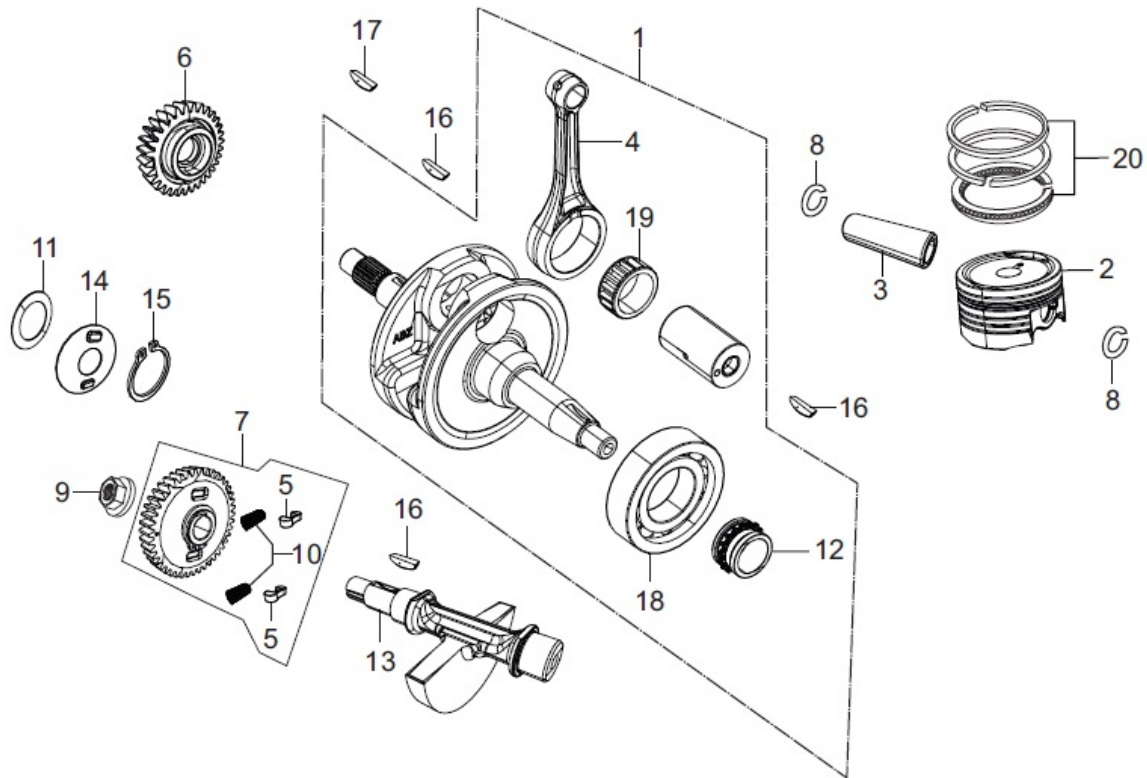
## E-6 : OIL PUMP ASSY.



**Group Number:** E-6 Model :: Hunk 160R FI BSVI (Apr, 2020)

Ref No.	Part Number	Description	Req.
1	15100-ABF-000	OIL PUMP ASSEMBLY	1
2	15130-ABZ-000	GEAR COMP. OIL PUMP	1
3	15421-KTN-900	SCREEN, OIL FILTER	1
4	15430-KSP-910	ROTOR, OIL FILTER	1
5	15436-KRM-840	CAP, OIL FILTER ROTOR	1
6	15441-KCS-650	OIL, THROUGH	1
7	15446-107-000	SPRING, OIL THROUGH	1
8	15459-ABZ-000	GASKET, OIL FILTER CAP	1
9	15650-ABZ-000	GAUGE, OIL LEVEL	1
10	90231-KM7-700	NUT, LOCK, 14 MM	1
11	90432-KPT-A00	WASHER, 14.2 X 26 X 3	1
12	91307-KRM-840	O-RING, 18 X 3	1
13	93600-06040-0G	SCREW FLAT 6X40	1
14	93700-05012-0A	SCREW, OVAL, 5X12	3
15	94251-08000	PIN LOCK, 8 MM	1
16	94301-08140	DOWEL PIN, 8X14	2
17	15331-ABF-000	ROTOR INNER OIL PUMP	1
18	15332-ABF-000	ROTOR OUTER OIL PUMP	1

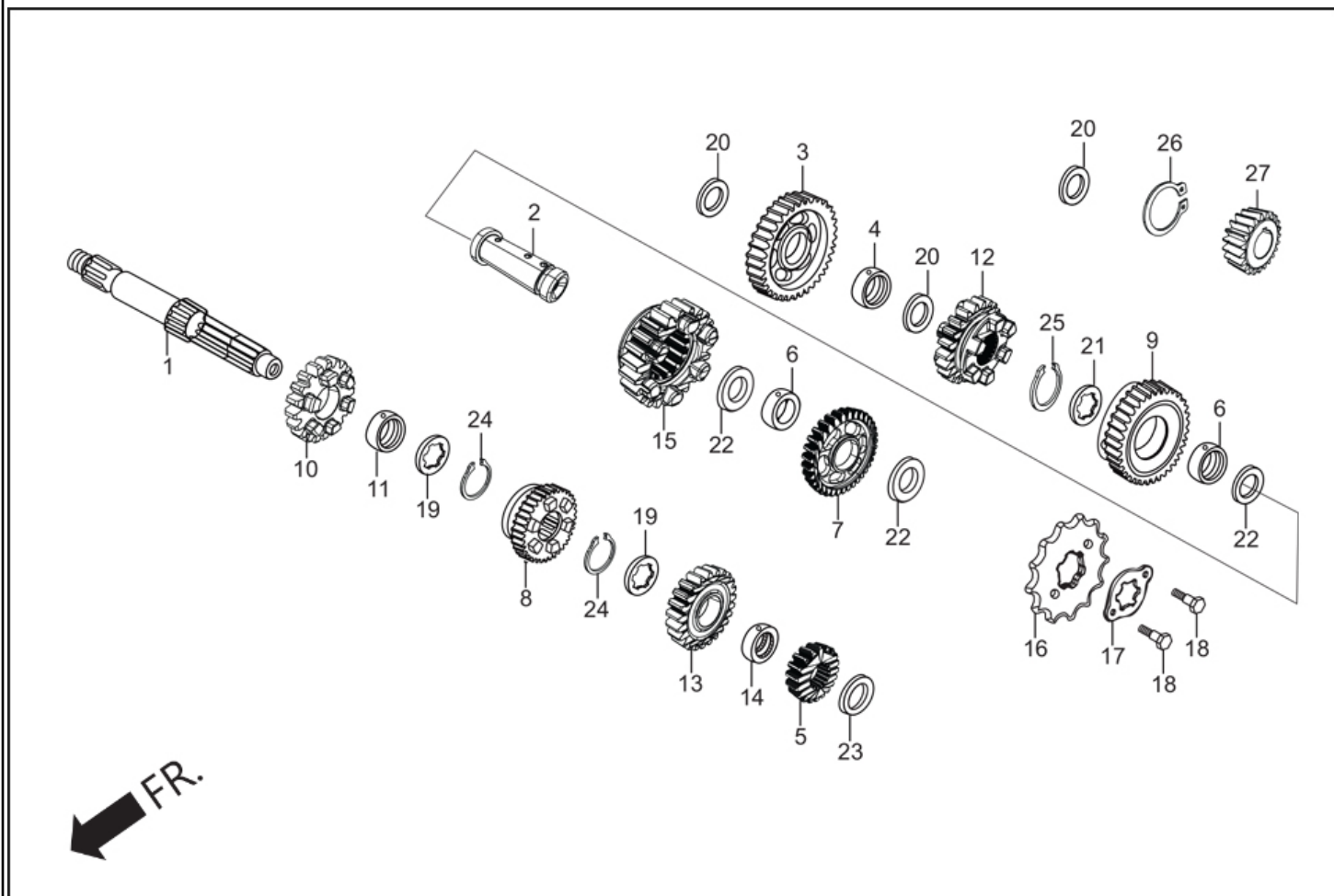
## E-7 : CRANK SHAFT (CRANK SHAFT / PISTON)



**Group Number:** E-7 Model :: Hunk 160R FI BSVI (Apr, 2020)

Ref No.	Part Number	Description	Req.
1	13000-ABZ-000	CRANK SHAFT COMP	1
2	13101-ABZ-001	PISTON	1
3	13111-KSP-910	PIN, PISTON	1
4	13201-ABZ-000	CONNECTING ROD	1
5	13428-ABZ-000	RUBBER DAMPER	2
6	13411-ABZ-000	GEAR BALANCER DRIVE	1
7	13420-ABZ-000	GEAR ASSY BALANCER DRIVEN	1
8	94601-14000	CLIP, PISTON PIN	2
9	94050-12000	NUT, FLANGE, 12 MM	1
10	13427-ABZ-000	SPRING DAMPER	2
11	13538-ABZ-000	SPRING THRUST	1
12	14311-KRM-840	SPROCKET, TIMING, (17T)	1
13	13421-ABZ-000	BALANCER SHAFT	1
14	90403-ABZ-000	WASHER 22.2X55X1	1
15	90605-ABZ-000	CIRCLIP EX. 22	1
16	90741-KGH-900	KEY, WOODRUFF, 4 MM	3
17	90741-KFB-000	KEY, WOODRUFF, 4 MM	1
18	91002-KSP-911	BRG. BALL, RADIAL, 6207 SPL. L	1
19	91101-KTN-901	BRG., NEEDLE, 28 X 36 X 15.8 (RED)	1
	91102-KTN-901	BRG., NEEDLE, 28 X 36 X 15.8 (BLUE)	1
	91103-KTN-901	BRG., NEEDLE, 28 X 36 X 15.8 (WHITE)	1
20	13011-ABZ-000	RING SET PISTON	1

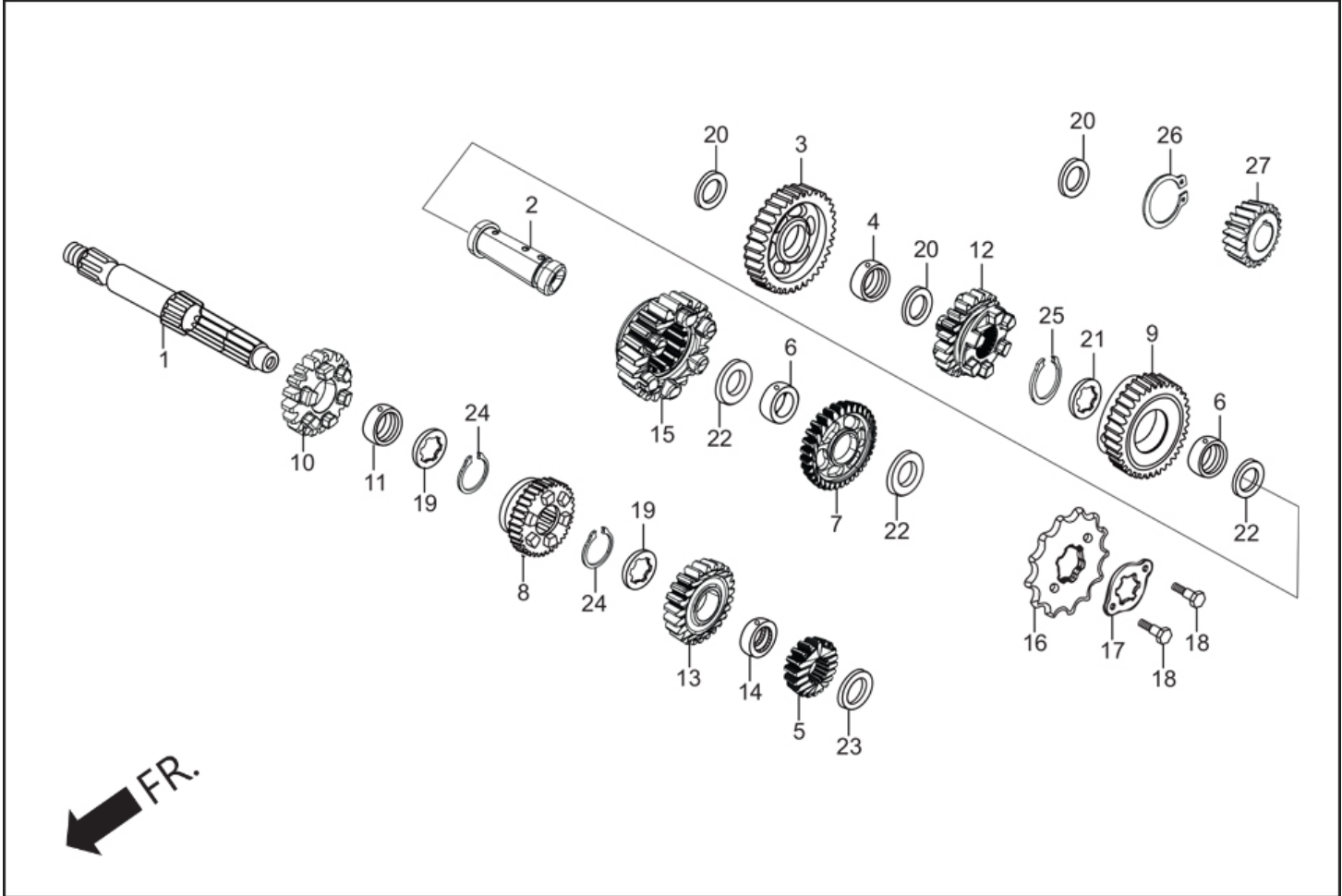
## E-8 : TRANSMISSION



**Group Number:** E-8 Model :: Hunk 160R FI BSVI (Apr, 2020)

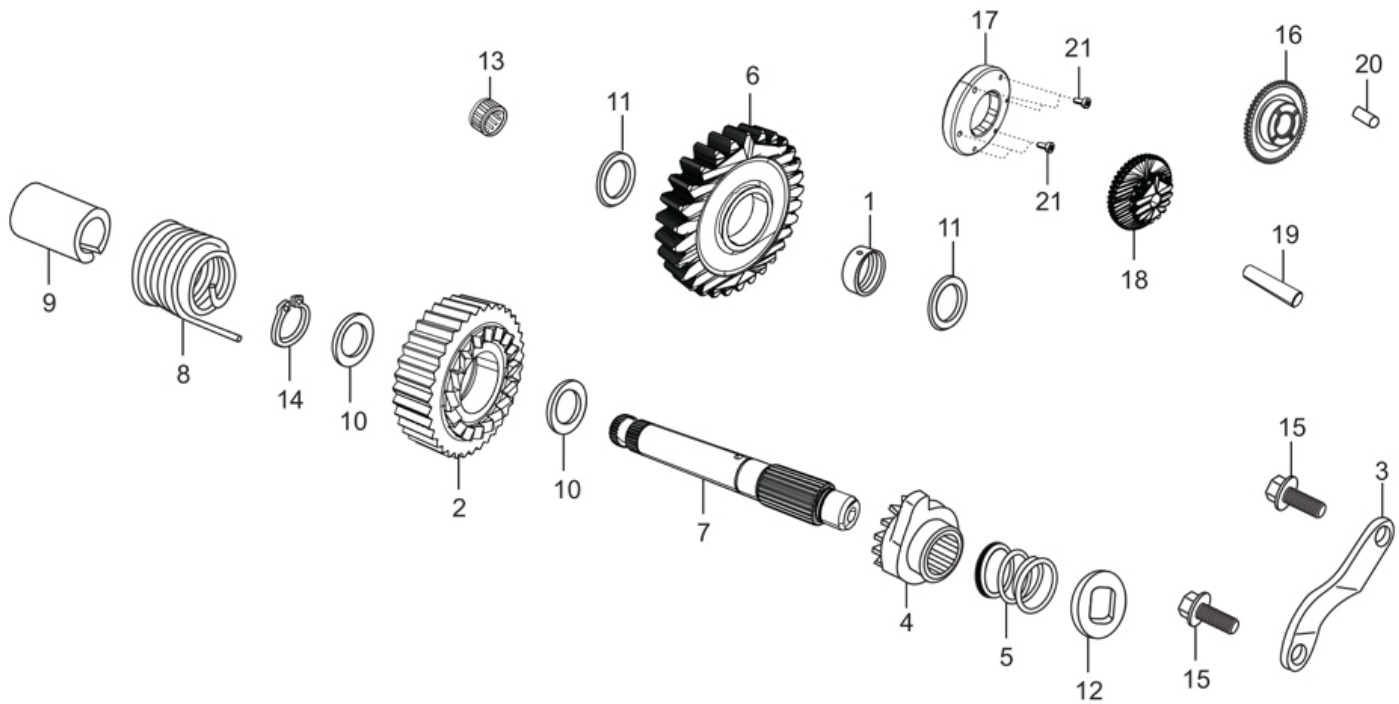
Ref No.	Part Number	Description	Req.
1	23210-KVN-900	SHAFT COMP., MAIN TRANS	1
2	23220-AAB-A00	SHAFT COMP COUNTER	1
3	23421-KVN-900	GEAR, C-1, ( 40 T )	1
4	23427-KRM-840	BUSH, 17 X 20.5 X 8	1
5	23431-AAB-A00	GEAR M-2 (19T)	1
6	23432-KRM-840	BUSH, 20 MM	2
7	23441-AAB-A00	GEAR C-2 (34T)	1
8	23451-AAB-A00	GEAR M-3(23 T)	1
9	23461-AAB-A00	GEAR C-3 (30T)	1
10	23471-AAB-A00	GEAR M-4 (20T)	1
11	23472-KSP-910	BUSH 17 MM	1
12	23481-AAB-A00	GEAR C-4 (22T)	1
13	23491-AAB-A00	GEAR M-5 (24T)	1
14	23492-KSP-910	COLLAR SPLINE 17X20X11	1
15	23501-AAB-A00	GEAR C-5 (23T)	1
16	23801-KRY-970	SPROCKET DRIVE 13T	1
17	23811-KR3-600	PLATE, A2 FIXING	1
18	90084-041-000	BOLT, DRIVE SPRKT, FIXING	2
19	90452-KRM-840	WASHER ,17 X 23 X1.6	2
20	90452-GB4-770	WASHER, THRUST, 17MM	3
21	90453-KRM-840	WASHER SPLINE 20 MM	1
22	90454-107-000	WASHER ,THRUST, 20MM	3
23	90456-KRM-840	WASHER, THURST, 12MM	1
24	90601-AAB-A00	CIRCLIP 17 MM	2

# E-8 : TRANSMISSION



25	90605-200-000	SET RING, 20MM	1
26	90602-KRM-840	CIRCLIP, EXTERNAL, 17 MM	1
27	23121-ABZ-000	GEAR PRIMARY DRIVE	1

## E-9 : KICK STARTER (SPINDLE KICK STARTER)

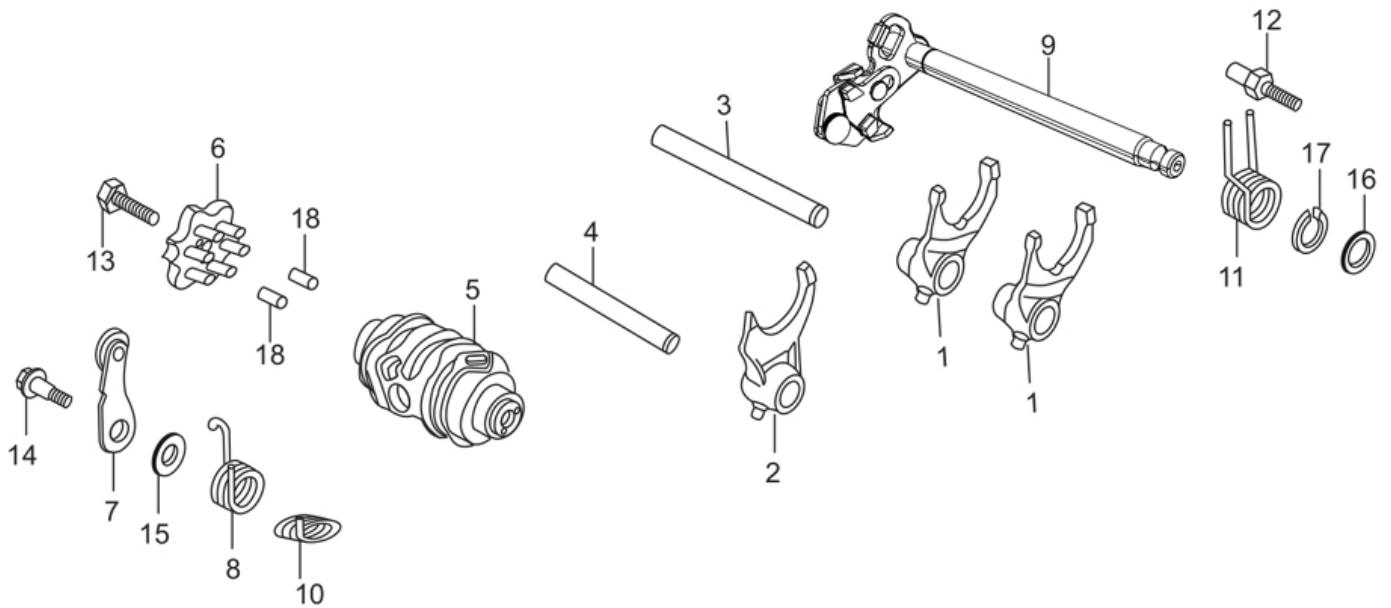


**Group Number:** E-9 Model :: Hunk 160R FI BSVI (Apr, 2020)

Ref No.	Part Number	Description	Req.
1	23427-KRM-840	BUSH, 17 X 20.5 X 8	1
2	28211-AAB-A00	PINION KICK STARTER	1
3	28215-KRM-840	PLATE, KICK STOPPER	1
4	28221-KTN-900	RATCHET, STARTER	1
5	28223-KRM-840	SPRING, RATCHET	1
6	28231-KRM-840	GEAR, KICK IDLE STARTER	1
7	28251-ABZ-000	SPINDLE KICK STARTER	1
8	28261-KRM-840	SPG., KICK RETURN	1
9	28282-KRM-840	COLLAR, KICK SPG.	1
10	90451-KRM-840	WASHER, THRUST, 16 MM	2
11	90452-GB4-770	WASHER, THRUST, 17MM	2
12	90455-KSP-910	WASHER, SPL., 14 MM	1
13	91022-KTN-900	BEARING NEEDEL, 22 X 29 X 16.8	1
14	94510-16000	CIRCLIP, EXTERNAL, 16 MM	1
15	95701-06016-00	BOLT, FLANGE, 6X16	2
16	28110-KTN-900	GEAR COMP., STARTER DRIVEN	1
17	28120-KTR-A00A	ASSY. ONEWAY CLUTCH	1
18	28131-KTN-900	GEAR STARTER REDUCTION	1
19	28132-KN6-930	SHAFT, REDUCTION GEAR	1
20	28133-KRM-850	COLLAR, STARTER REDUCTION	1
21	90085-KTC-920	BOLT, SOCKET, 6 X 14	6



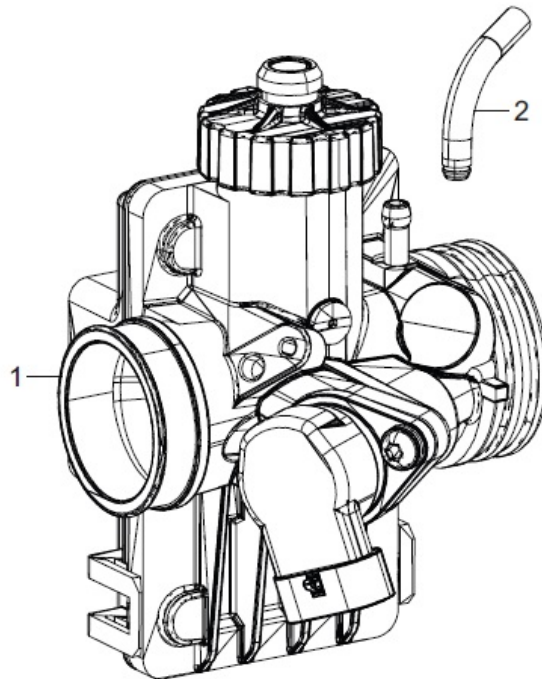
## E-10 : GEAR SHIFT (DRUM GEAR SHIFT)



**Group Number:** E-10 Model :: Hunk 160R FI BSVI (Apr, 2020)

Ref No.	Part Number	Description	Req.
1	24211-KRM-840	FORK, R/L, GEAR SHIFT	2
2	24212-KRM-840	FORK, CENTER, GEAR SHIFT	1
3	24241-KRM-840	SHAFT, A GEAR SHIFT FORK	1
4	24242-KRM-840	SHAFT, B GEAR SHIFT FORK	1
5	24301-KSP-910	DRUM GEAR SHIFT	1
6	24410-KSP-860	PLATE, COMP., SHIFT DRUM STOPPER	1
7	24430-KTN-900	STOPPR COMP., GEAR SHIFT DRUM	1
8	24436-KSP-910	SPRING, DRUM STOPPER	1
9	24610-ABZ-000	SPINDLE COMP. GEAR SHIFT	1
10	24627-KRM-840	SPRING GEAR SHIFTER RESET	1
11	24651-KSP-910	SPRING, SHIFT RETURN	1
12	24652-KSP-910	PIN, SHIFT, RETURN SPRING	1
13	90003-KVS-900	BOLT HEX.6X20	1
14	90022-MG8-000	PIVOT, SHIFT DRUM STOPPR. ARM	1
15	90417-KRM-840	WASHER DRUM STOPPER	1
16	90457-KRM-840	WASHER, 14 MM	1
17	94510-14000	CIRCLIP, EXTERNAL, 14 MM	1
18	96220-30085	ROLLER, 3 X 8.5	2

## E-11 : FUEL INJECTION THROTTLE

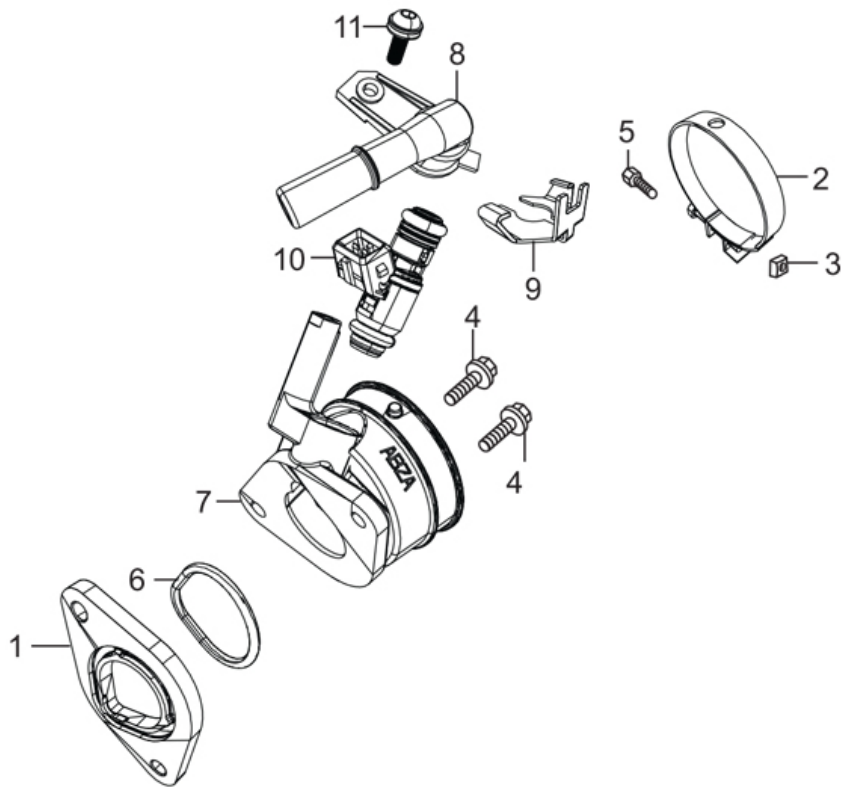


Group Number: E-11 Model :: Hunk 160R FI BSVI (Apr, 2020)

Ref No.	Part Number	Description	Req.
1	16400-ABZ-000	THROTTLE BODY ASSY	1
2	16418-ABZ-000	CAP CABLE SEALING	1



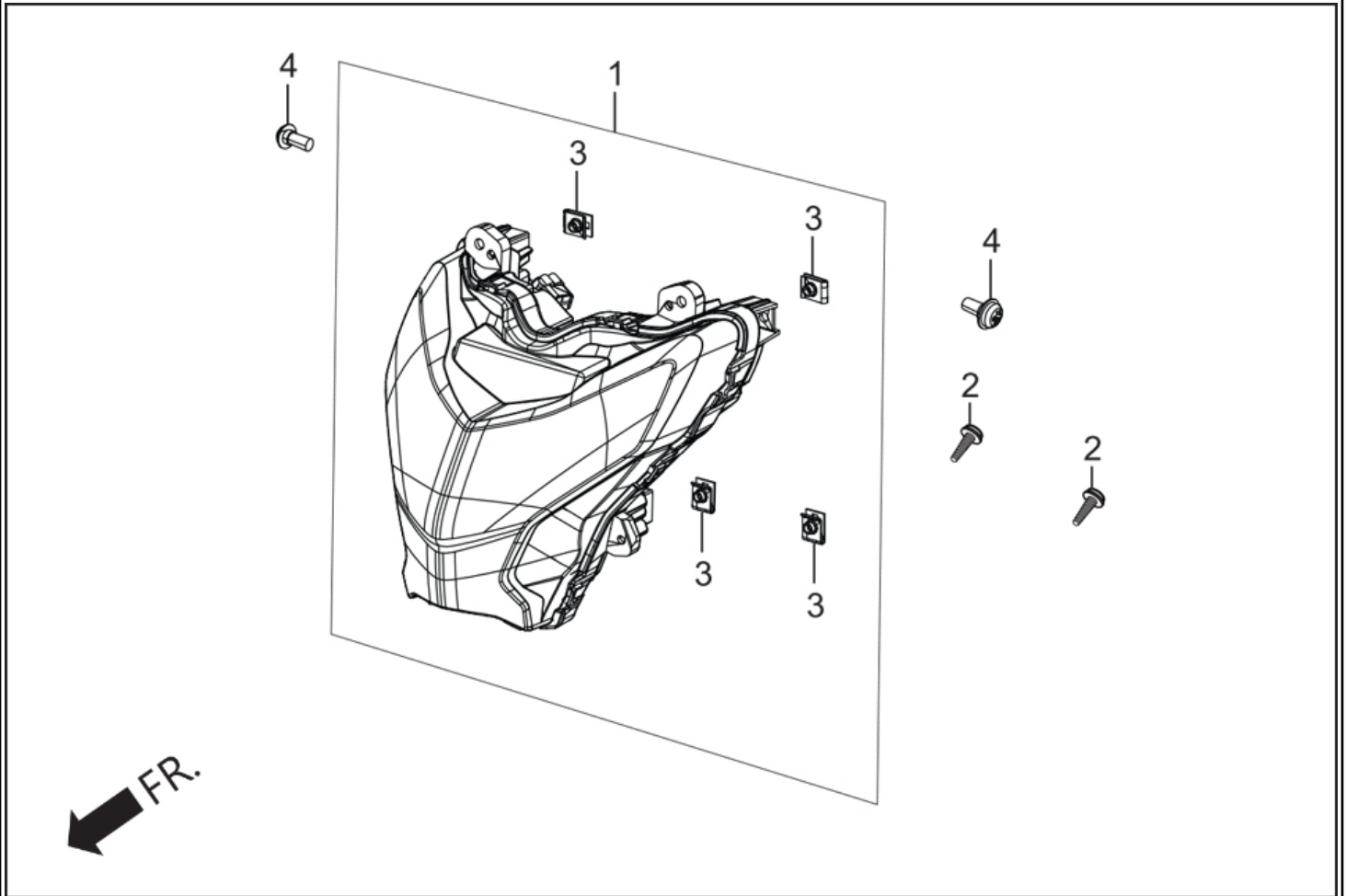
## E-11A : INJECTOR ASSY. FUEL



**Group Number:** E-11A **Model ::** Hunk 160R FI BSVI (Apr, 2020)

Ref No.	Part Number	Description	Req.
1	16210-ABZ-000	INSULATOR COMP	1
2	16217-KRY-970	BAND INSULATOR	1
3	16222-KSP-910	NUT, SQUARE, 5 MM	1
4	96001-06025-00	BOLT, FLANGE, SH. 6 X 25	2
5	90006-MEE-000	BOLT RECESSED 5 X 30	1
6	91304-ABZ-000	O-RING	1
7	17110-ABZ-000	PIPE COMP INLET	1
8	16424-AAN-500	INJECTOR CAP	1
9	16425-AAN-110	INJECTOR CLIP	1
10	16451-ABZ-000	INJECTOR	1
11	16094-AAN-110	INJECTOR FITTING SCREW(M4X0.7)	1

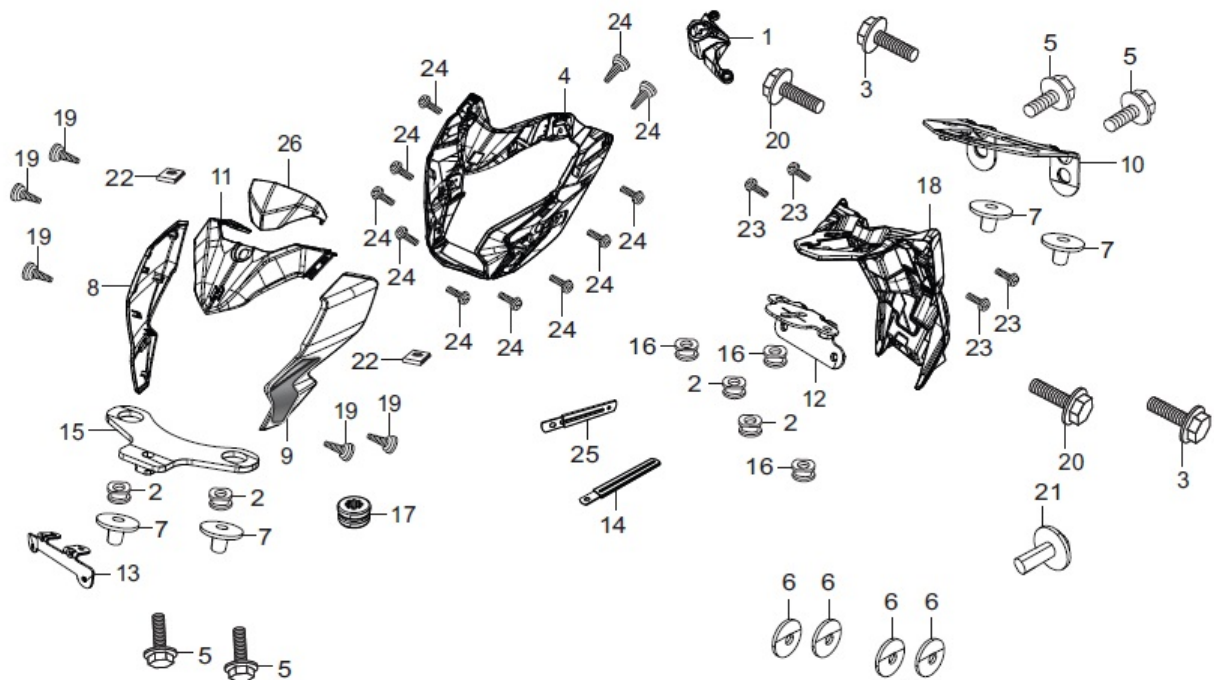
## F-1 : HEAD LIGHT



**Group Number:** F-1 **Model ::** Hunk 160R FI BSVI (Apr, 2020)

Ref No.	Part Number	Description	Req.
1	33100-ABZ-001	LIGHT ASSY HEAD	1
2	93913-25280	SCREW TAPPING 5 X 12	2
3	90311-AAF-401	SPEED NUT (M6)	4
4	90101-GE0-000	SCREW, HINGE PATCH	2

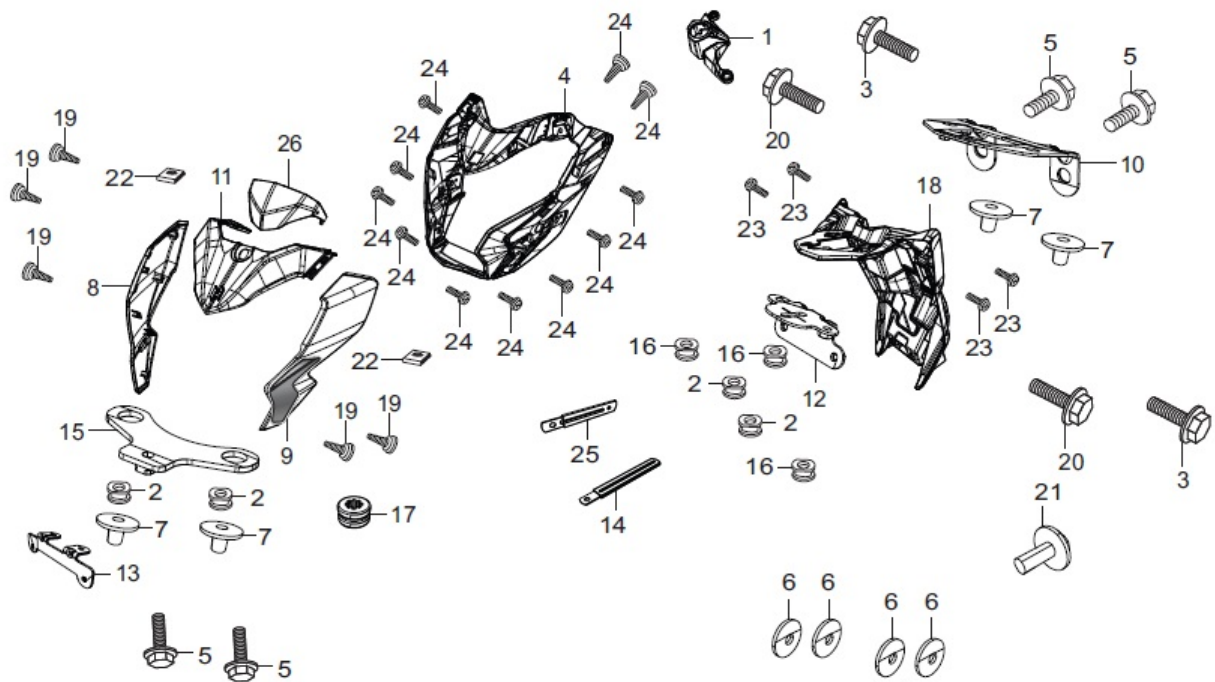
## F-1A : FAIRING (FR. VISOR/COWL/STAY)



**Group Number: F-1A Model :: Hunk 160R FI BSVI (Apr, 2020)**

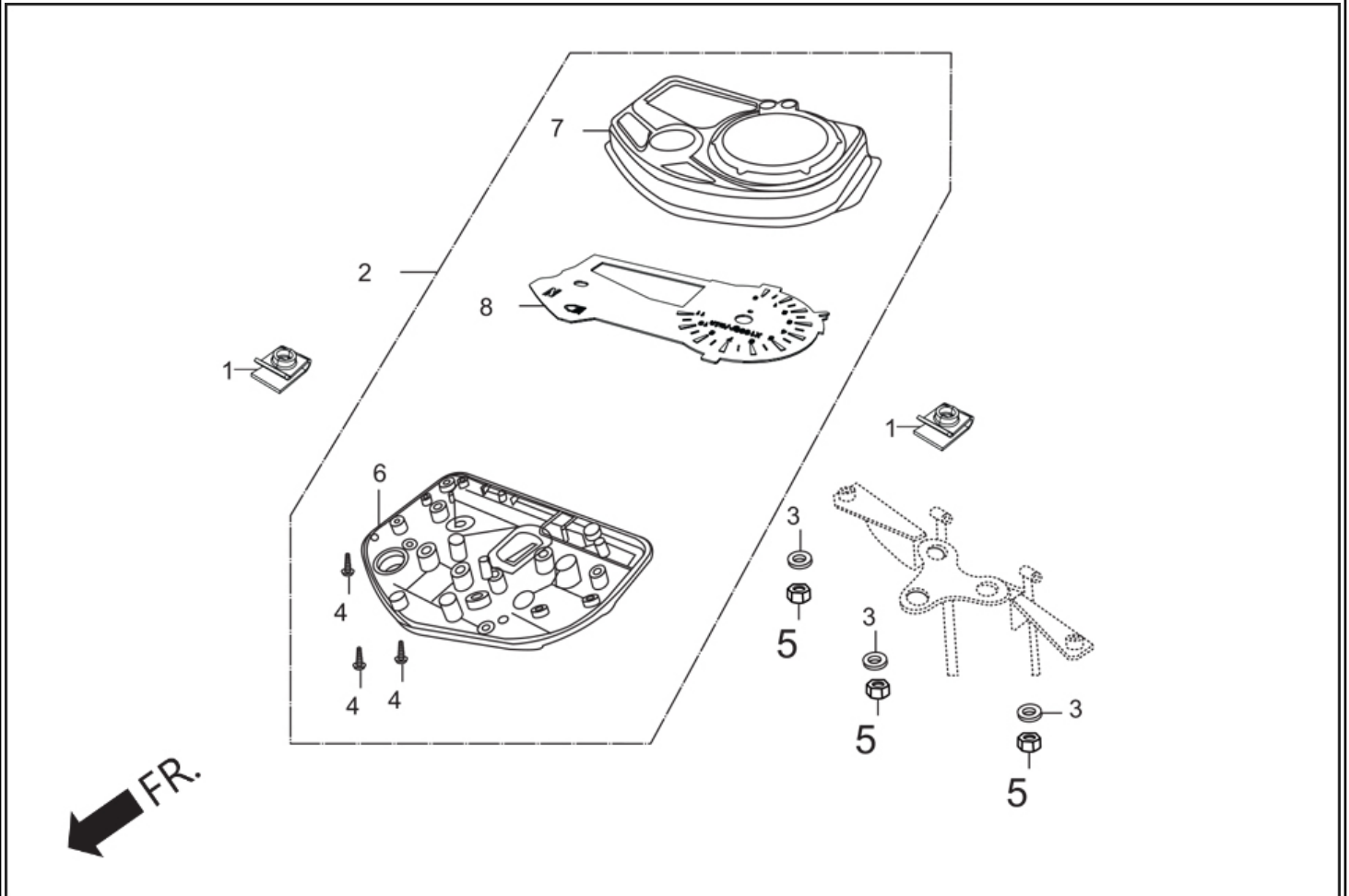
Ref No.	Part Number	Description	Req.
1	53252-ABZ-000	COVER MAIN SWITCH	1
2	61103-KVE-860	RUBBER,FR COWL MOUNT	4
3	90111-187-000	BOLT, FLANGE. 6 MM	2
4	61301-ABZ-000	FRONT COWL	1
5	95701-06025-07	BOLT FLANGE 6X25	4
6	90563-355-000	WASHER, WHEEL, 6 MM	4
7	61104-428-000	COLLAR, FR, FENDER	4
8	61320-ABZ-000R	SET R FR COWL (VIBRANT BLUE ME.)	1
	61320-ABZ-000S	SET R FR COWL (PEARL SILVER WHITE EX SPARKLE ME.)	1
	61320-ABZ-000U	SET R FR COWL (SPORTS RED)	1
9	61330-ABZ-000R	SET L FR COWL (VIBRANT BLUE ME.)	1
	61330-ABZ-000S	SET L FR COWL (PEARL SILVER WHITE EX SPARKLE ME.)	1
	61330-ABZ-000U	SET L FR COWL (SPORTS RED)	1
10	61312-ABZ-000	STAY METER MTG.	1
11	64300-ABZ-000	SET ILLUSTR FR COWL UPPER A	1
12	61313-ABZ-000	BRKT INNER PANEL SUPPORT	1
13	64315-ABZ-000	STAY FR NO. PLATE	1
14	91410-ABW-000	CLIP 3X130	1
15	64332-ABZ-000	STAY AIMING	1
16	80101-443-000	RUBBER, RR. FENDER CUSHION	3
17	77209-KAG-900	RUBBER, SEAT STAY MOUNT	1
18	83402-ABZ-000	PANEL INNER	1
19	90101-GE0-000	SCREW, HINGE PATCH	5
20	95701-06012-07	BOLT, FLANGE, 6X12	2

## F-1A : FAIRING (FR. VISOR/COWL/STAY)



21	93404-06016-07	BOLT-WASHER, 6 X 16	1
22	90320-GC3-000	NUT, SPRING, M5	2
23	91509-KWA-830	SCREW, PAN 5X18.5	4
24	93903-34210	SCREW TAPPING 4X10	11
25	94591-27000	CLIP 2 X 70	1
26	64302-ABZ-000	FRONT COWL UPPER	1

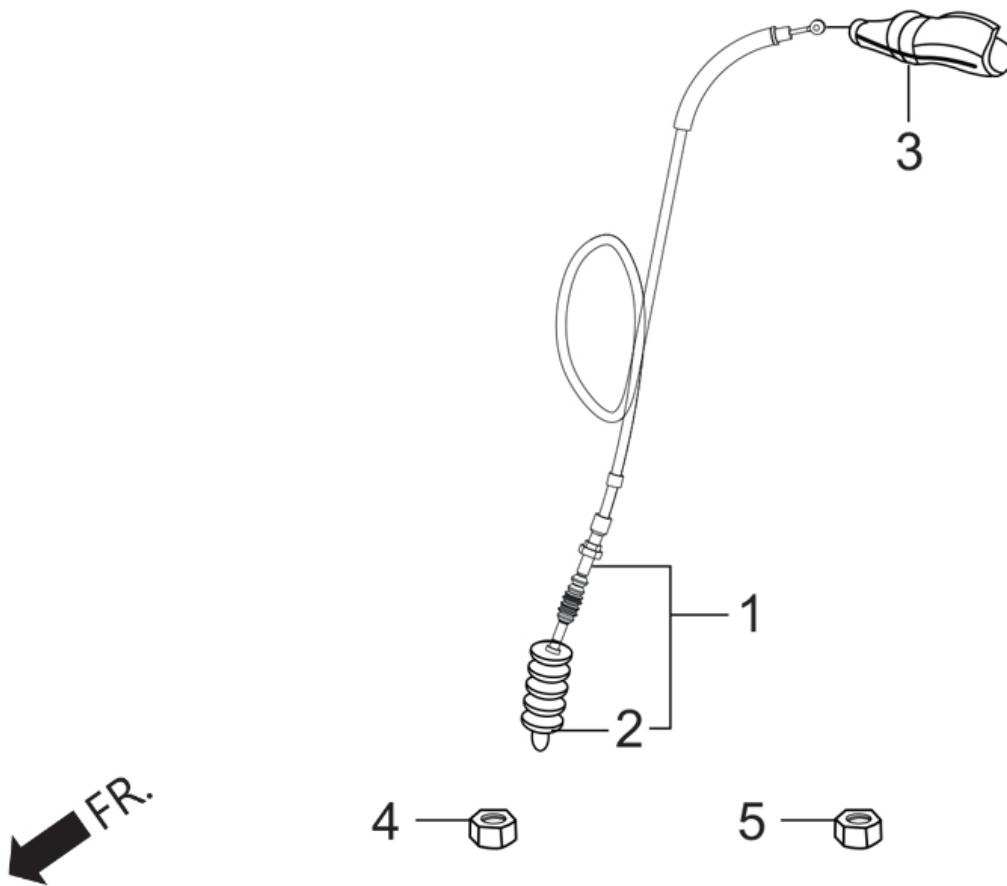
## F-2 : SPEEDOMETER / CABLE



**Group Number:** F-2 **Model ::** Hunk 160R FI BSVI (Apr, 2020)

Ref No.	Part Number	Description	Req.
1	90677-KAN-961	NUT CLIP 5MM	2
2	37100-ABZ-011	METER ASSY. COMB	1
3	94103-06700	WASHER, PLAIN, 6 MM	3
4	90101-KY6-000	SCREW, TAPPING, 3X14	3
5	94001-06070-0S	NUT, HEX., 6 MM	3
6	37112-ABZ-001	CASE UNDER ASSY	1
7	37113-ABZ-011	GLASS ASSY	1
8	37110-ABZ-001	SPEEDOMETER COMP	1

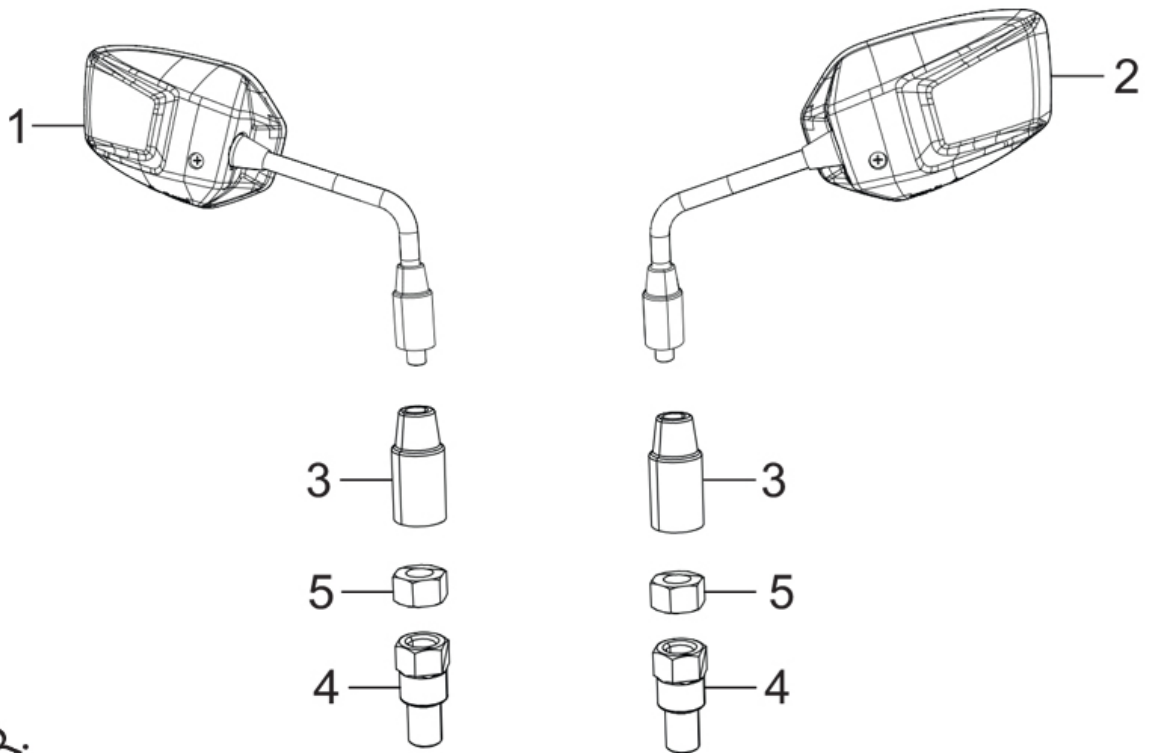
### F-3 : HANDLE LEVER / SWITCH/CABLES



Group Number: F-3 Model :: Hunk 160R FI BSVI (Apr, 2020)

Ref No.	Part Number	Description	Req.
1	22870-ABZ-000	CABLE COMP CLUTCH	1
2	22871-KTN-700	BOOT, CLUTCH CABLE	1
3	53179-KTC-900	COVER L HANDLE LEVER	1
4	94002-08000-0S	NUT HEX.8 MM	1
5	94030-08000	NUT, HEX., 8 MM	1

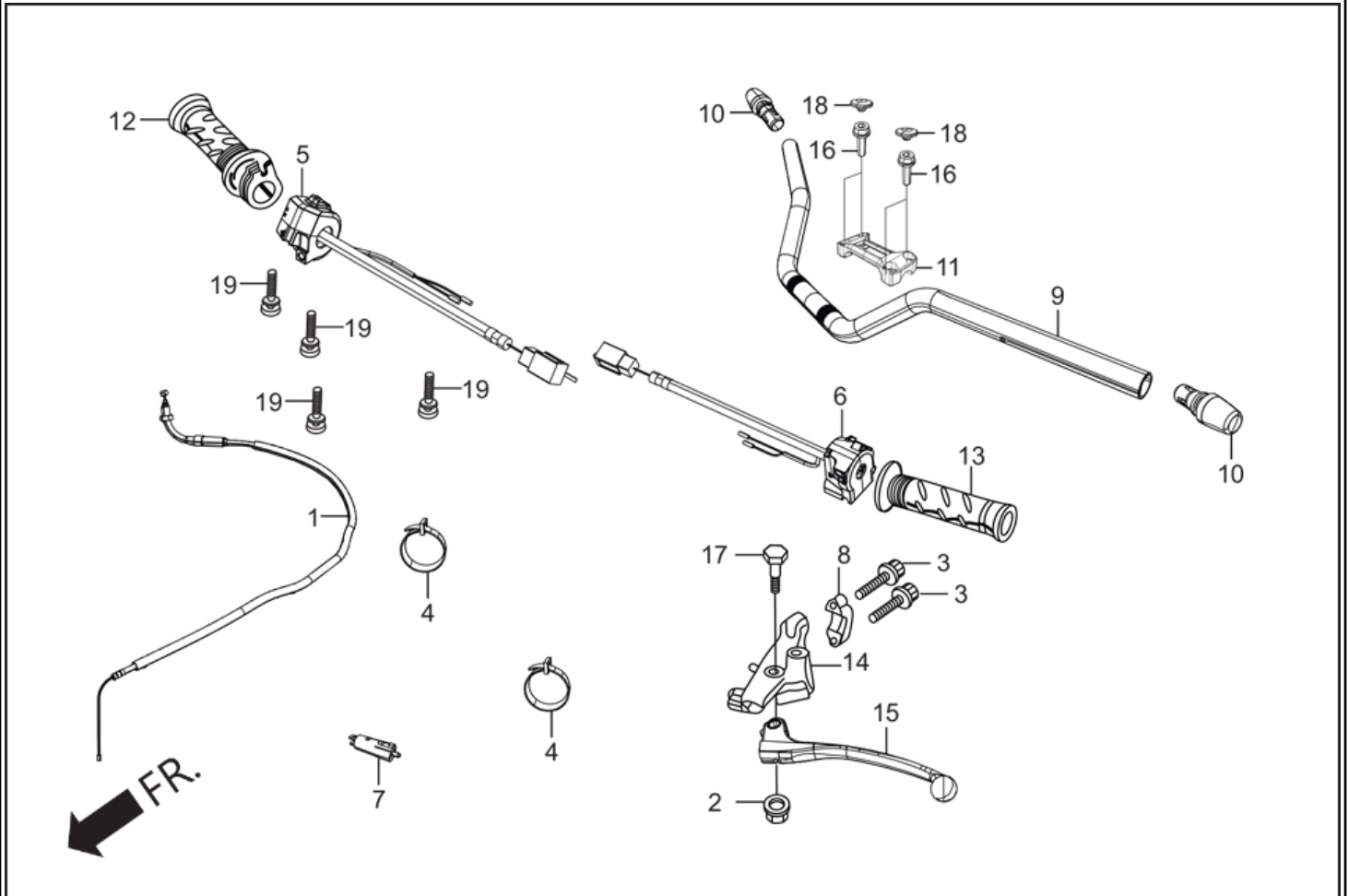
### F-3A : MIRROR ASSY.



Group Number: F-3A Model :: Hunk 160R FI BSVI (Apr, 2020)

Ref No.	Part Number	Description	Req.
1	88110-ABZ-001	MIRROR ASSY R BACK	1
2	88120-ABZ-001	MIRROR ASSY L BACK	1
3	88114-198-D10	CAP, LOCK NUT	2
4	90003-MY5-720	BOLT,ADPT.10MM	2
5	90201-MW3-620	NUT, HEX., 10MM	2

## F-3B : HANDLE & HNDL COVER (HANDLE LEVER / SWITCH/CABLES)

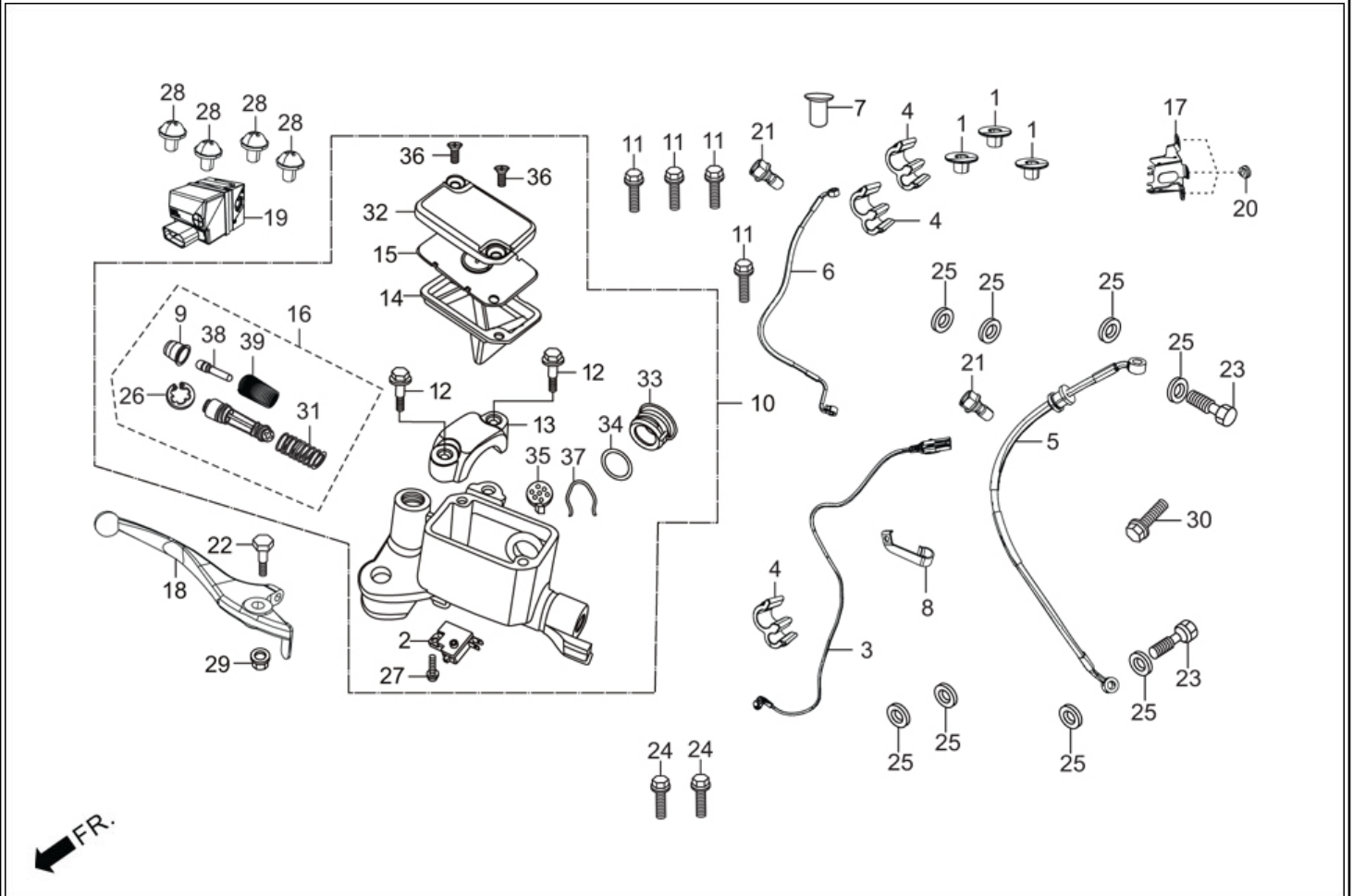


Group Number: F-3B Model :: Hunk 160R FI BSVI (Apr, 2020)

Ref No.	Part Number	Description	Req.
1	17910-ABZ-000	CABLE COMP. THROT	1
2	94050-06000	NUT, FLANGE, 6 MM	1
3	96001-06022-07	BOLT, FLANGE, SH.6X22	2
4	32161-404-000	BAND B-1,WIRE	2
5	35150-ABZ-001	SW. ASSY. ENG. ST. & START	1
6	35200-ABZ-001	SW. ASSY. WINKER	1
7	35330-413-003	SW. COMP., FR. LEVER	1
	35330-AAH-F11	SW COMP FR LEVER	1
8	45517-166-000	HOLDER, MASTER CYLINDER	1
9	53100-ABZ-000	PIPE STRG. HANDLE	1
10	53105-KRC-900	END STRG. HANDLE	2
11	53131-ABZ-000	HOLDER HANDLE UP	1
12	53140-KVE-860	GRIP COMP THROT	1
13	53166-KVE-860	GRIP L HANDLE	1
14	53172-KRC-900	BRACKET, HANDLE LEVER	1
15	53178-KFN-850	LEVER COMP., L HANDLE	1
16	90102-KVN-900	BOLT, SP. FLANGE SOCKET 6 X 22	4
17	90113-438-000	BOLT, HANDLE LEVER PIVOT	1
18	91455-MG8-000	CAP, SOC BOLT 6 MM	4
19	93500-05020-0G	SCREW, PAN, 5 X 20	4



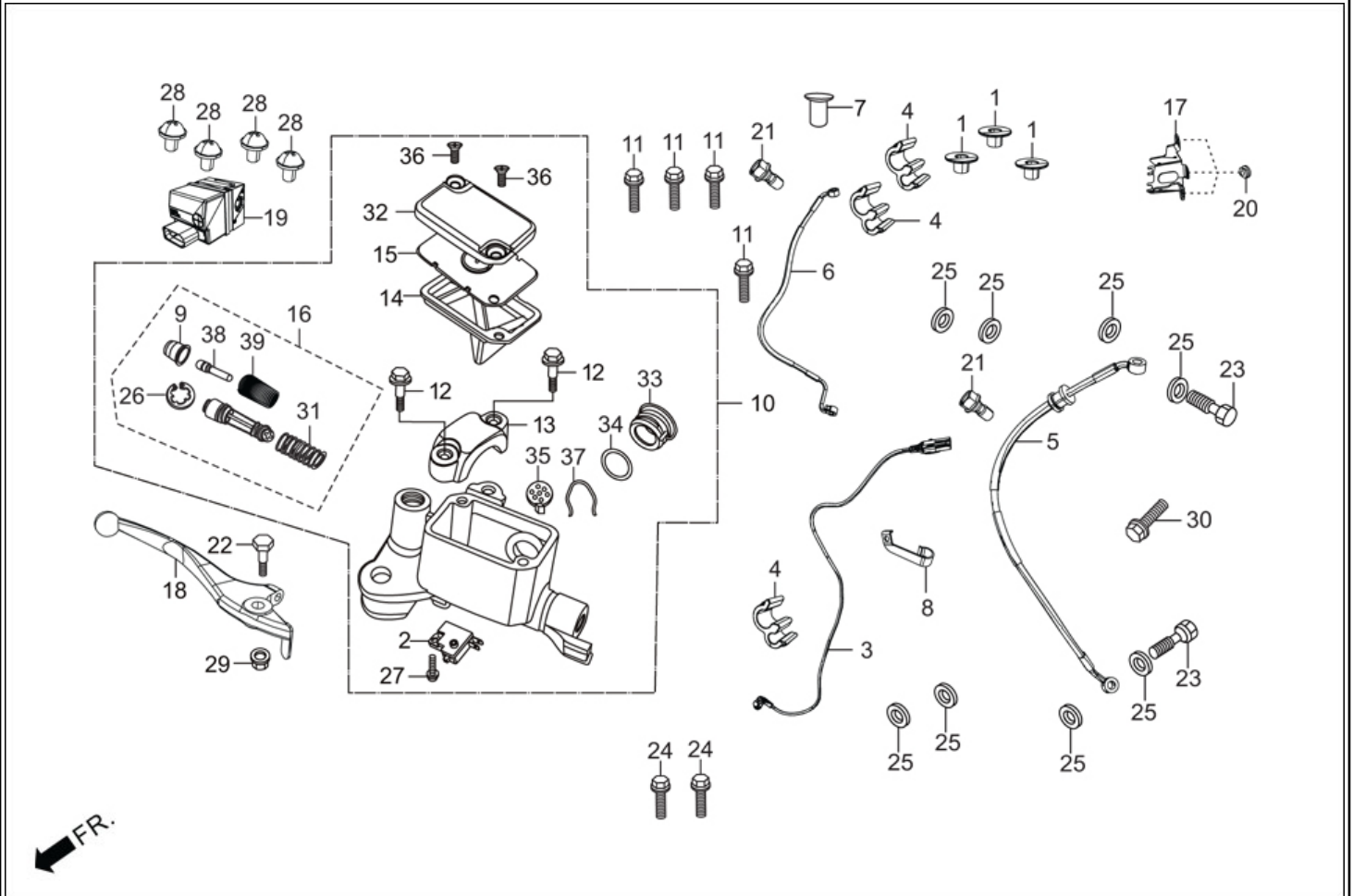
## F-4A : FRONT BRAKE (MASTER CYLINDER)



**Group Number:** F-4A Model :: Hunk 160R FI BSVI (Apr, 2020)

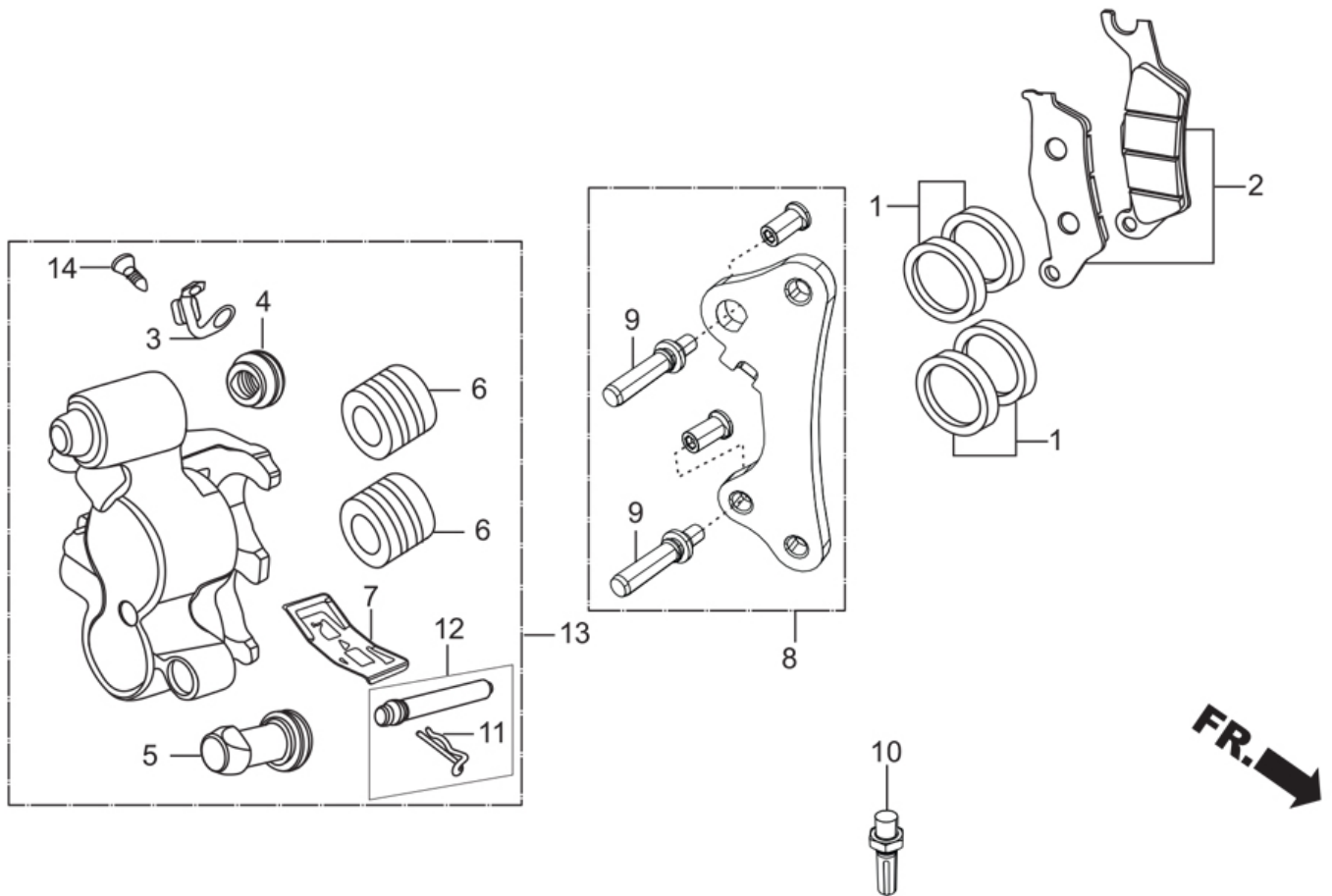
Ref No.	Part Number	Description	Req.
1	19052-AAB-A00	COLLAR ABS UNIT MOUNTING	3
2	35340-KCC-841	SW. ASSY. FR. STOP.	1
3	38520-ABZ-000	SENSOR FRONT WHEEL SPEED	1
4	43301-AAB-A00	CLIP BRAKE LINE	3
5	45126-ABZ-010	BRK. HOSE ASSY. HECU TO CALIPER FR.	1
6	45128-ABZ-010	BRK. HOSE ASSY. FR. M/C TO HECU	1
7	53174-116-670	PLUG HANDLE LEVER	1
8	45156-ABZ-010	CLAMPER FR. BRAKE	1
9	45504-KCC-841	BOOT COMP.	1
10	45510-KVN-901	M/C SUB ASSY, FR. BRK	1
11	95701-06018-00	BOLT FLANGE 6X18	4
12	90111-KCC-841	BOLT,FLANGE 6 X 25	2
13	45517-KCC-841	HOLDER MASTER CYLINDER	1
14	45520-KCC-841	DIAPHRAGM	1
15	45521-KCC-841	PLATE, DIAPHRAGM	1
16	45530-KCC-841	CYLINDER SET MASTER	1
17	50207-AAB-A00	MT UPPER BRKT ABS CONTROL UNIT	1
18	53175-KSP-900	LEVER, R STRG. HANDLE	1
19	57111-ABZ-000	HECU MINI MAB SPD	1
20	83545-AAB-A00	RUBBER ABS UNIT MOUNTING	3
21	90042-AAB-A00	BANJO BOLT M10X1	2
22	90114-KCC-841	BOLT, HANDLE LEVER	1
23	90145-MS9-610	OIL BOLT, 10 X 22	2
24	90155-KY4-900	BOLT, FLANGE, 8 X 25	2

## F-4A : FRONT BRAKE (MASTER CYLINDER)



25	90545-300-000	WASHER ,OIL BOLT	8
26	90651-KCC-841	CIRCLIP	1
27	90112-KCC-841	SCREW,PAN,4X8	1
28	93891-05008-00	SCREW WASH 5X8	4
29	90303-KCC-841	NUT	1
30	95701-06012-07	BOLT, FLANGE, 6X12	1
31	45506-KCC-841	SPRING	1
32	45513-KCC-841	CAP, MASTER CYLINDER	1
33	45515-KVN-901	GAUGE COMP., LEVEL	1
34	45516-KCC-841	O RING	1
35	45518-KCC-841	SEPARATOR COMP.	1
36	45519-KCC-841	SCREW FLAT	2
37	45522-KCC-841	CLIP, GAUGE	1
38	45525-KCC-841	PUSH ROD	1
39	45526-KCC-841	SPRING , PUSH ROD	1

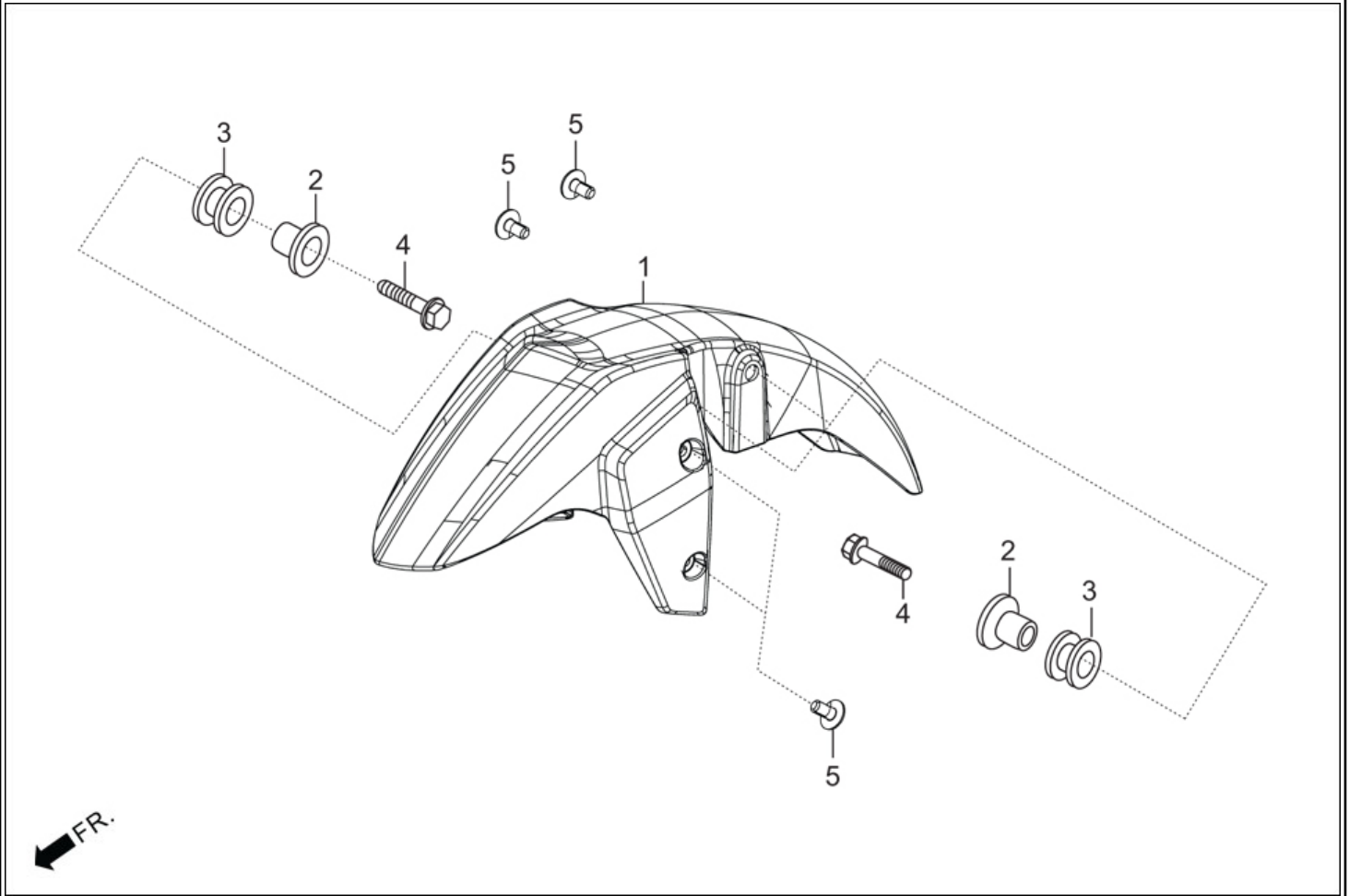
## F-4B : FRONT BRAKE (CALIPER ASSY 'R' FR.)



**Group Number:** F-4B Model :: Hunk 160R FI BSVI (Apr, 2020)

Ref No.	Part Number	Description	Req.
1	06451-KCC-841	SEAL SET, PISTON	2
2	06455-KVE-861	PAD SET FR	1
3	45353-KCC-841	CAP, BLEEDER	1
4	45133-KCC-841	BOOT,B	1
5	45132-KCC-841	BUSH, BOOT PIN	1
6	45107-KCC-841	PISTON, 26	2
7	45108-KCC-841	PAD, SPRING	1
8	45290-KCC-841	BRKT. SUB ASSY., R FR	1
9	45131-GE2-006L	PIN BOLT A	2
10	45131-GZ0-006L	PIN BOLT	1
11	43216-MAK-003	CLIP	1
12	45220-KCC-841	PIN COMP., HANGER	1
13	45250-KCC-841	CALIPER SUB ASSY., R FR	1
14	45352-KCC-841	SCREW, BLEEDER	1

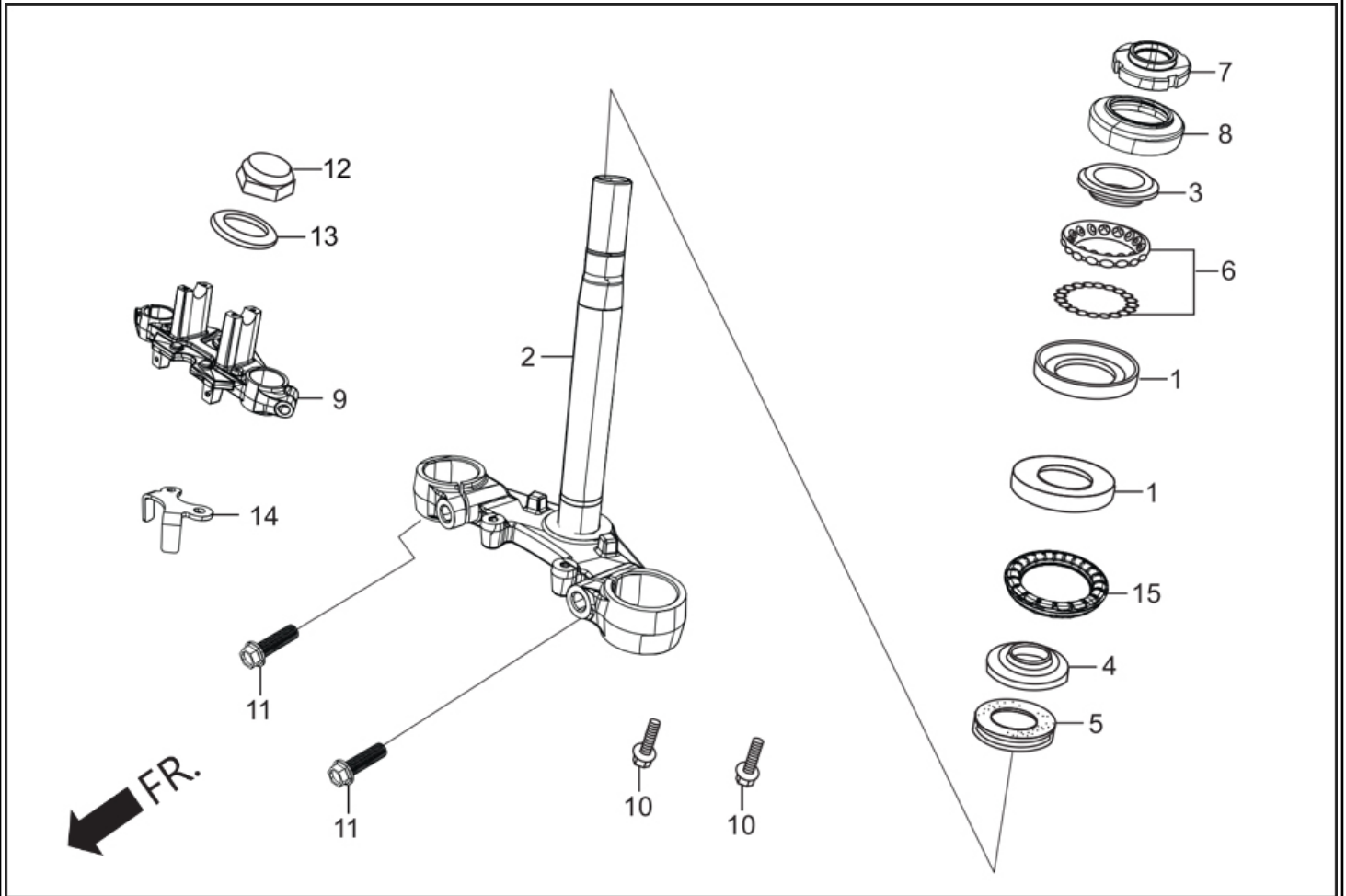
## F-5 : FRONT FENDER



**Group Number: F-5 Model :: Hunk 160R FI BSVI (Apr, 2020)**

Ref No.	Part Number	Description	Req.
1	61101-ABZ-000R	FRONT FENDER (VIBRANT BLUE ME.)	1
	61101-ABZ-000S	FRONT FENDER (PEARL SILVER WHITE EX SPARKLE ME.)	1
	61101-ABZ-000U	FRONT FENDER (SPORTS RED)	1
2	84706-163-670	COLLAR TAIL LIGHT MTG	2
3	61105-KTC-900	RUBBER, FRONT FENDER MOUNTING	2
4	95701-06022-00	BOLT, FLANGE, SH. 6 X 22	2
5	90381-KWA-940	SCREW SPECIAL 6x13	4

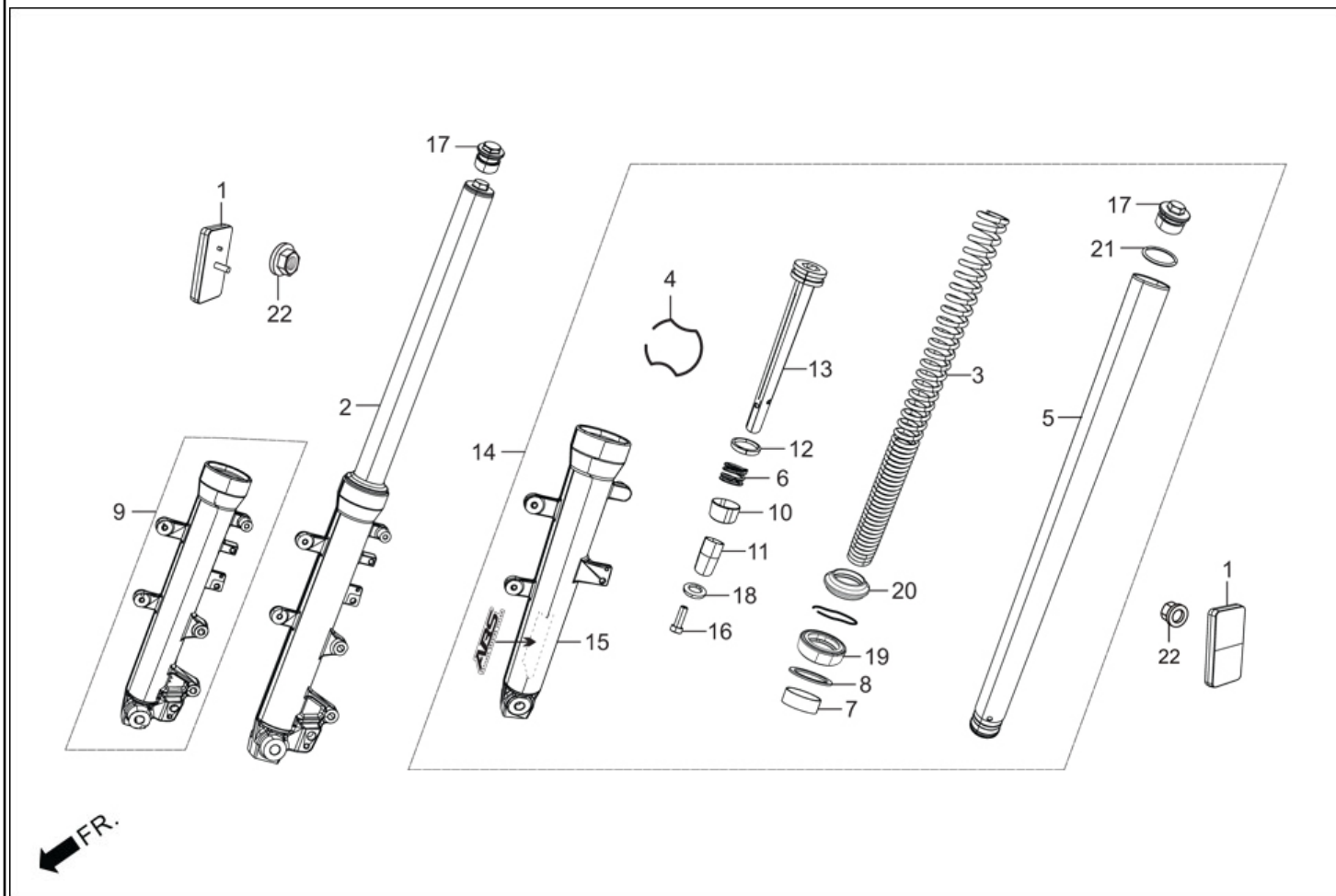
## F-6 : FRONT CUSHION (STEERING STEM)



**Group Number:** F-6 Model :: Hunk 160R FI BSVI (Apr, 2020)

Ref No.	Part Number	Description	Req.
1	50301-KTR-900	RACE, STEERING BALL	2
	50301-041-010	RACE, STEERING BALL	2
2	53200-ABZ-000	STEM COMP. STEERING	1
3	53211-028-010	RACE, STEERING TOP CONE	1
4	53212-200-000	RACE, STEERING BOTTOM CONE	1
5	53214-200-000	DUST SEAL, STEERING HEAD	1
6	53215-KTR-900	BALL, ASSY. STEERING	1
7	53220-ABZ-000	THREAD COMP STRG TOP	1
8	53222-ABZ-000	MUD GUARD, STRG. (HEAD TOP)	1
9	53230-ABZ-000	BRIDGE FORK TOP	1
10	90001-AAB-A00	BOLT FLANGE 10X35	2
11	90002-AAB-A00	BOLT FLANGE 10X40	2
12	90304-159-000	NUT, STEERING STEM	1
13	90503-051-870	WASHER, STEERING STEM	1
14	35106-KTC-900	COVER, COMB. SWITCH	1
15	53210-ABZ-001	BALL ASSY. STEERING STEEL	1

## F-6A : FRONT CUSHION

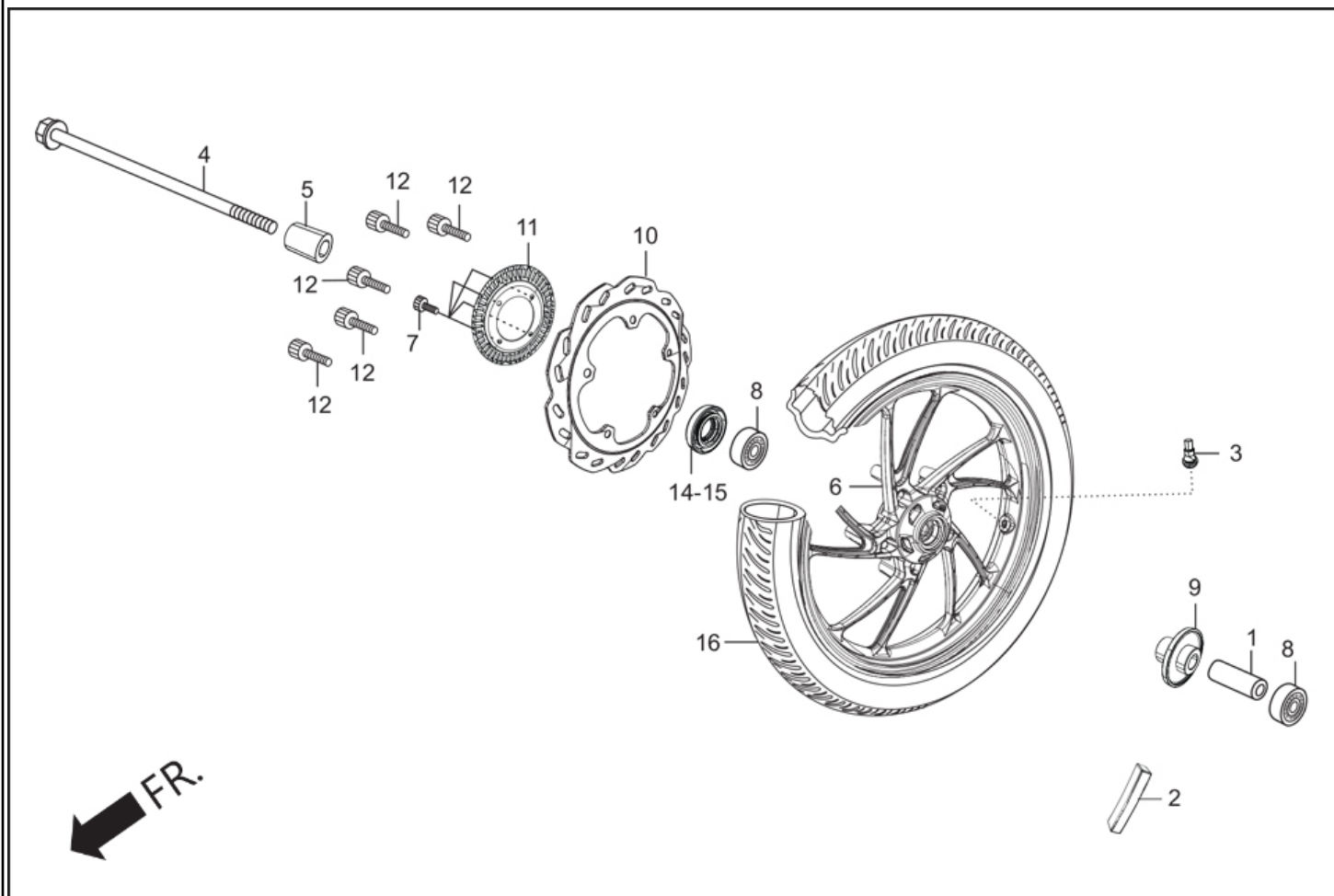


**Group Number:** F-6A Model :: Hunk 160R FI BSVI (Apr, 2020)

Ref No.	Part Number	Description	Req.
1	33740-AAB-000	REFLEX REFLECTOR FRONT	2
2	51450-ABZ-000R	SET FORK ASSY R FRONT (VIBRANT BLUE ME.)	1
3	51401-ABZ-000	SPRING FR. FORK	2
4	90601-ABZ-000	RING,OIL SEAL STOP	2
5	51410-ABZ-000	PIPE COMP. FR FORK	2
6	51412-ABZ-000	SPRING, REBOUND	2
7	51414-ABZ-000	GUIDE BUSH	2
8	51419-ABZ-000	RING BACKUP (PLAIN WASHER)	2
9	51420-ABZ-000	CASE COMP. R FR BOTTOM	1
10	51423-ABZ-000	SLIDE BUSH	2
11	51432-ABZ-000	PIECE OIL LOCK	2
12	51437-ABZ-000	RING, PISTON	2
13	51440-ABZ-000	PIPE SEAT	2
14	51550-ABZ-000R	SET FORK ASSY L FRONT (VIBRANT BLUE ME.)	1
15	51520-ABZ-000	CASE L FR BOTTOM	1
16	90116-ABZ-000	BOLT SOCKET	2
17	90123-ABZ-000	BOLT FR. FORK	2
18	90544-ABZ-000	WASHER SPECIAL	2
19	91255-ABZ-000	SEAL OIL	2
20	91254-ABZ-000	SEAL, DUST	2
21	91356-ABZ-000	O RING	2
22	90302-KTE-911	NUT FLANGE PT 6MM	2



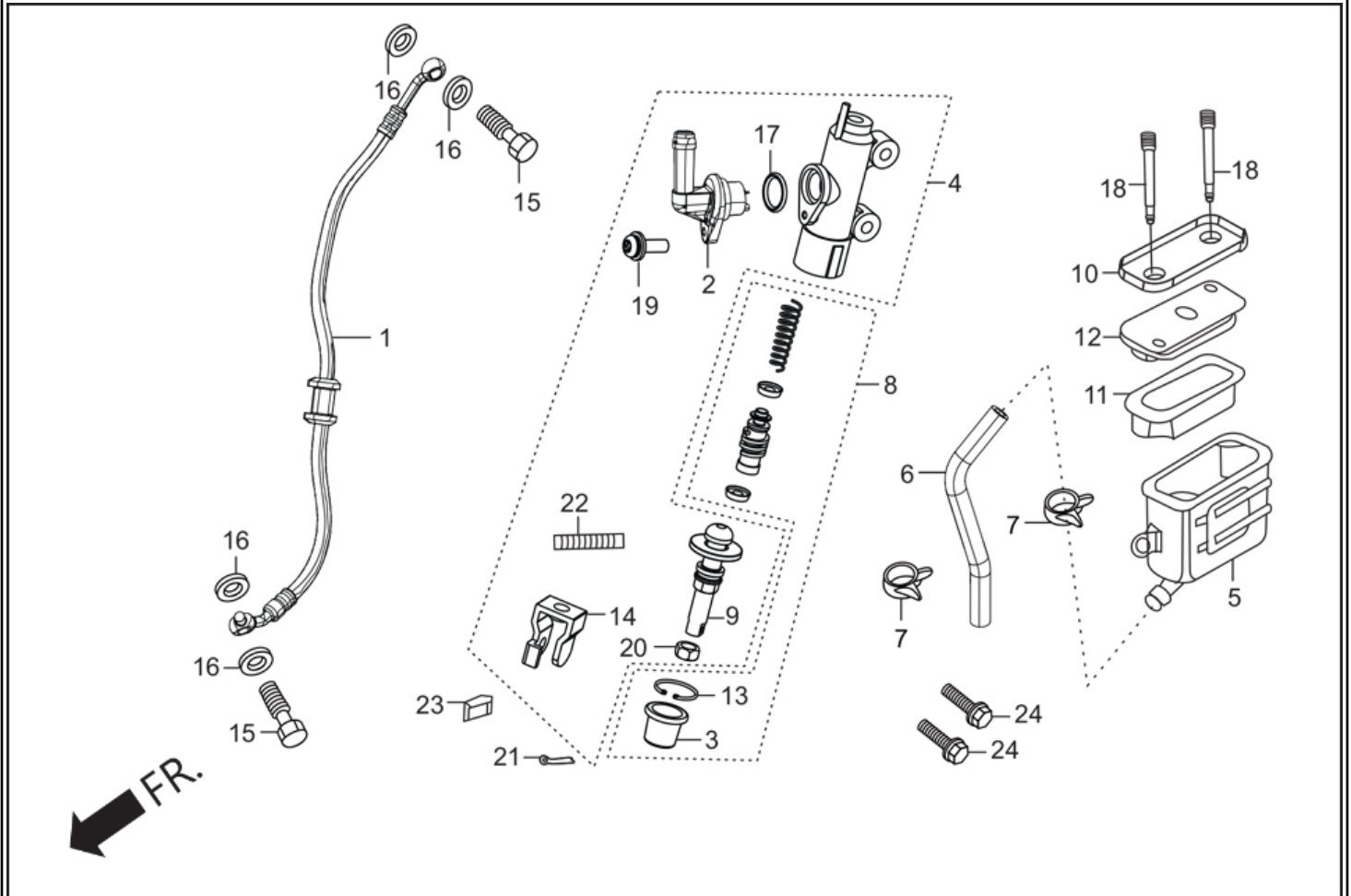
## F-7 : FRONT WHEEL



**Group Number:** F-7 Model :: Hunk 160R FI BSVI (Apr, 2020)

Ref No.	Part Number	Description	Req.
1	42620-KTR-700	COLLAR, REAR AXLE DISTANCE	1
2	42703-AAB-A00	WEIGHT BALANCE 5	1
	42704-AAB-A00	WEIGHT BALANCE 10	1
	42705-AAB-A00	WEIGHT BALANCE 20	1
	42707-AAB-A00	WEIGHT BALANCE 15	1
3	42753-KWF-90099	RIM VALVE	1
4	44301-AAB-A00	AXLE FR WHEEL	1
5	44311-KPL-900	COLLAR, FR. WHEEL SIDE	1
6	44601-ABZ-012	WHEEL COMP. FRONT	1
7	96600-05012-10	BOLT SOCKET 5X12	4
8	96140-63010-10	BEARING, RADIAL BALL, 6301U	2
9	44802-AAB-A00	SLEEVE FR WHEEL (LH)	1
10	45251-ABZ-010	DISK, FR BRAKE	1
11	45252-AAB-A00	SENSOR RING FR DISC	1
12	90105-KL8-741	BOLT, FR.DISK, 8 X 24	5
13	90306-KST-942	NUT, CASTLE, 12 MM	1
	90306-KTE-911	NUT, CASTLE, 12 MM	1
14	90755-229-000	OIL SEAL, 21 X 37 X 7	1
15	91251-KPH-901	DUST SEAL, 21 X 37 X 7	1
16	44711-AAB-A01	TYRE, FR.	1

## F-8-DISC : REAR BRAKE (MASTER CYL.)(DISC)

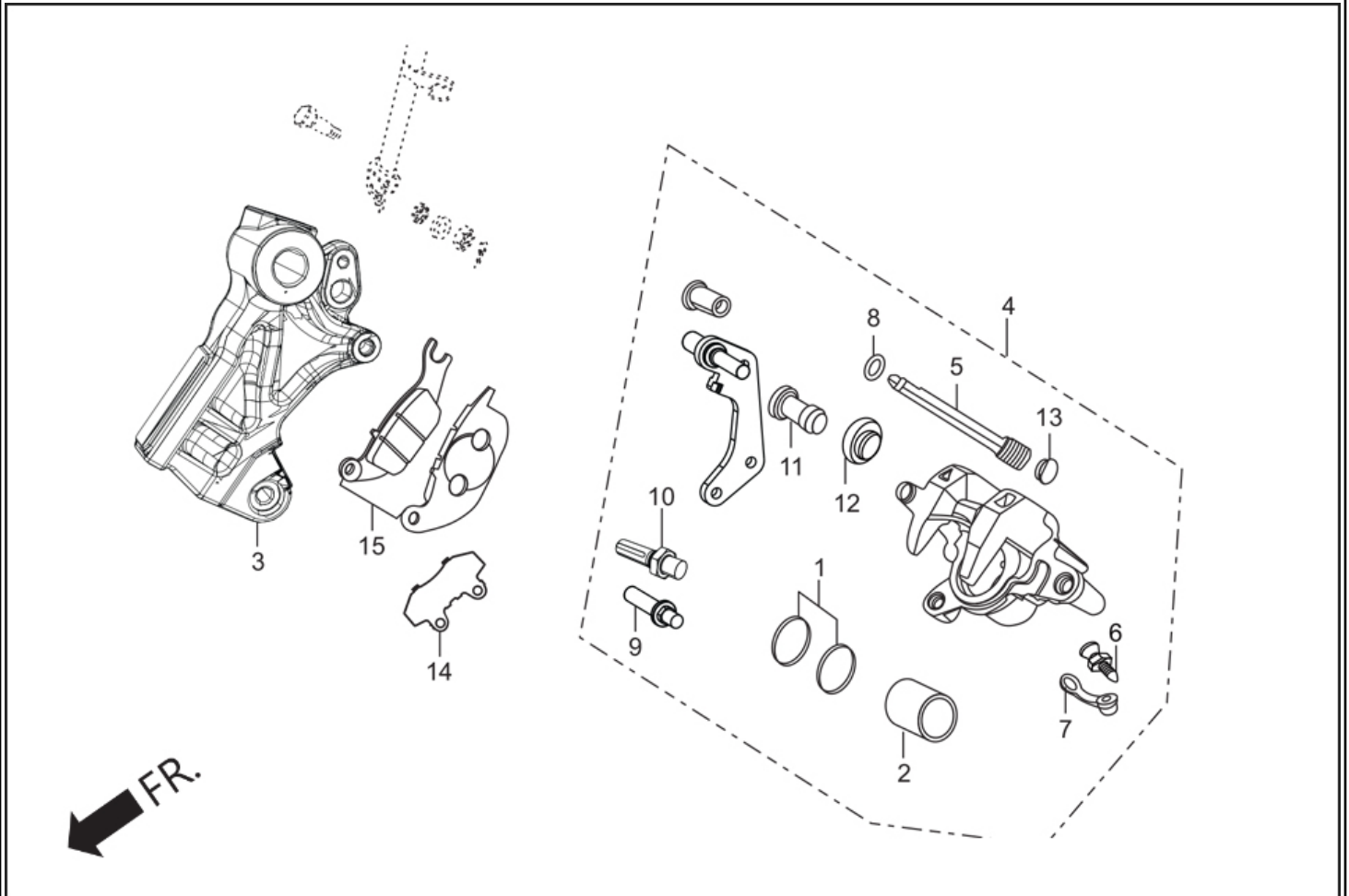


**Group Number:** F-8-DISC Model :: Hunk 160R FI BSVI (Apr, 2020)

Ref No.	Part Number	Description	Req.
1	43310-ABZ-010	HOSE COMP. RR BRAKE	1
2	43503-ABZ-010	CONNECTOR	1
3	43504-MB2-006	BOOT COMP.	1
4	43510-ABZ-010	SUB ASSY. REAR M/C	1
5	43511-KW7-881	OIL CUP COMP.	1
6	43512-ABZ-010	HOSE COMP. RR M/C	1
7	43514-KS6-701	CLAMP. M/C OIL HOSE	2
8	43520-MJ6-315	PISTON SET M/C	1
9	43530-MV9-006	PUSH ROD COMP.	1
10	45513-GW0-911	CAP M/C	1
11	45520-GW0-911	DIAPHRAGM	1
12	45521-GW0-911	PLATE DIAPHRAGM	1
13	46182-MEL-D21	CIRCLIP	1
14	46504-KV6-702	JOINT BRK ROD	1
15	90145-MS9-610	OIL BOLT, 10 X 22	2
16	90545-300-000	WASHER ,OIL BOLT	4
17	91212-422-006	O RING	1
18	93600-04045-1G	SCREW FLAT 4X45	2
19	93893-04012-17L	SCREW WASHER 4X12	1
20	94002-08000-0S	NUT HEX.8 MM	1
21	94201-20150	PIN, SPLIT, 2.0 X 15	1
22	94305-20102	PIN SPRING 2X10	1
23	95015-54000	PIN D JOINT	1
24	95701-06022-00	BOLT, FLANGE, SH. 6 X 22	2



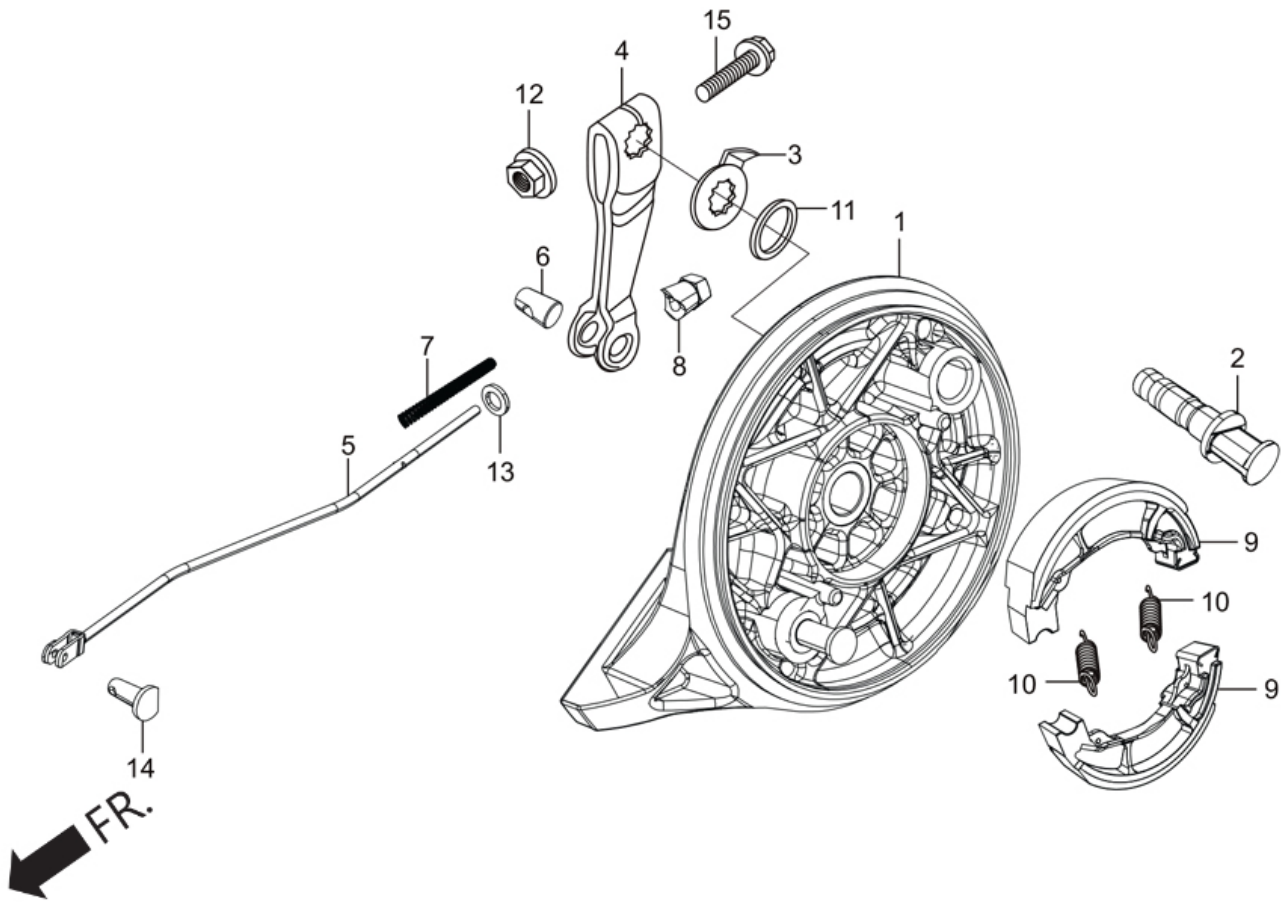
## F-8A-DISC : REAR BRAKE (CALIPER ASSY. REAR)(DISC)



**Group Number:** F-8A-DISC Model :: Hunk 160R FI BSVI (Apr, 2020)

Ref No.	Part Number	Description	Req.
1	06451-MA7-405	SEAL SET, PISTON	1
2	43107-MA7-006	PISTON	1
3	43115-AAB-A00	HOLDER RR CALIPER	1
4	43150-AAB-A00	CALIPER SUB ASSY RR	1
5	43215-KGH-901	PIN,HANGER	1
6	43352-568-003L	SCREW BLEEDER	1
7	43353-461-771L	CAP BLEEDER	1
8	45111-MAJ-G41	STOPPER RING	1
9	45131-GE2-006L	PIN BOLT A	1
10	45131-GZ0-006L	PIN BOLT	1
11	45132-166-016L	BUSH BOOT PIN	1
12	45133-MA3-006L	BOOT B	1
13	45203-MCC-006	PLUG,PIN	1
14	43114-KRY-971	SHIM B	1
15	06435-AAB-A00	PAD SET RR	1

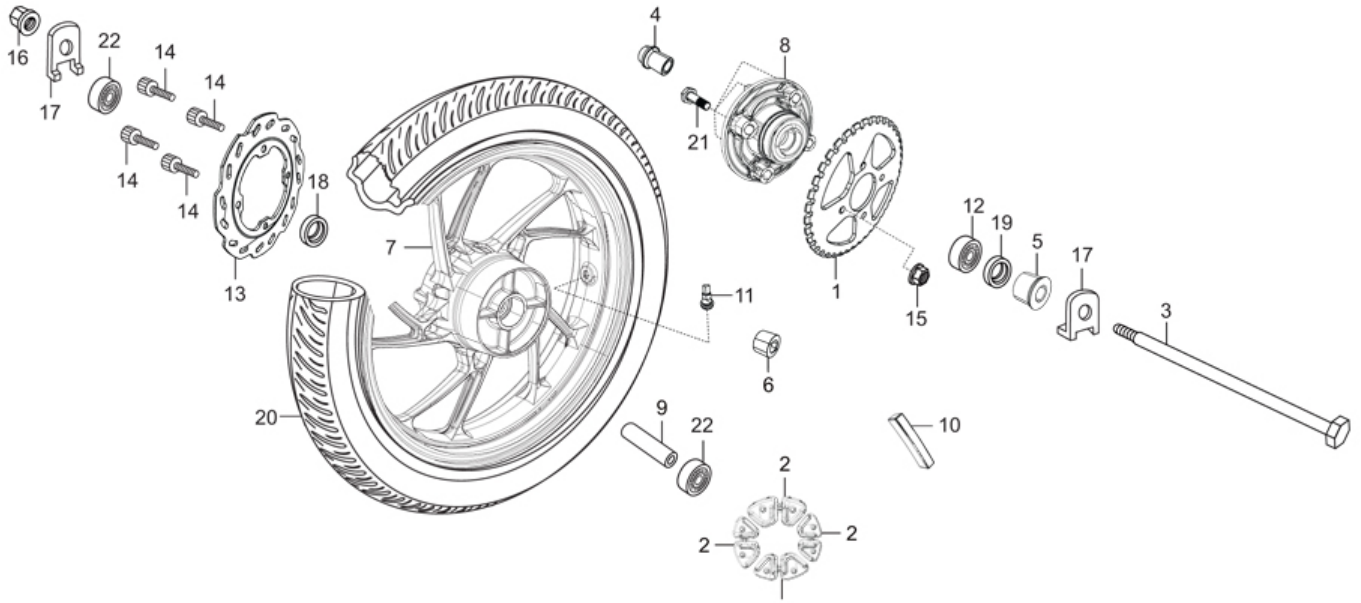
## F-8B-DRUM : REAR BRAKE PANEL (DRUM)



**Group Number:** F-8B-DRUM Model :: Hunk 160R FI BSVI (Apr, 2020)

Ref No.	Part Number	Description	Req.
1	43100-ABZ-000	PANEL COMP. RR BRAKE	1
2	43141-KTC-900	CAM, REAR BRAKE	1
3	43145-149-000	INDICATOR, RR. BRAKE	1
4	43410-KRY-930	ARM, REAR BRAKE	1
5	43451-ABZ-000	ROD COMP. RR. BRK.	1
6	43455-KSP-900	JOINT BRAKE ARM	1
7	43456-KSP-900	SPRING BRAKE ROD	1
8	43459-KSP-900	NUT RR. BRK. ADJUST	1
9	45125-AAH-F0099	SHOE COMP BRAKE	2
10	45133-KCC-900	SPRING, FR. BRAKE SHOE	2
11	45134-250-000	DUST SEAL, BRAKE CAM	1
12	90301-473-000	NUT,U 6MM	1
13	90502-KRY-930	WASHER , BRAKE ROD	1
14	95015-53000	PIN, C JOINT	1
15	95701-06035-00	BOLT, FLANGE, 6X35	1

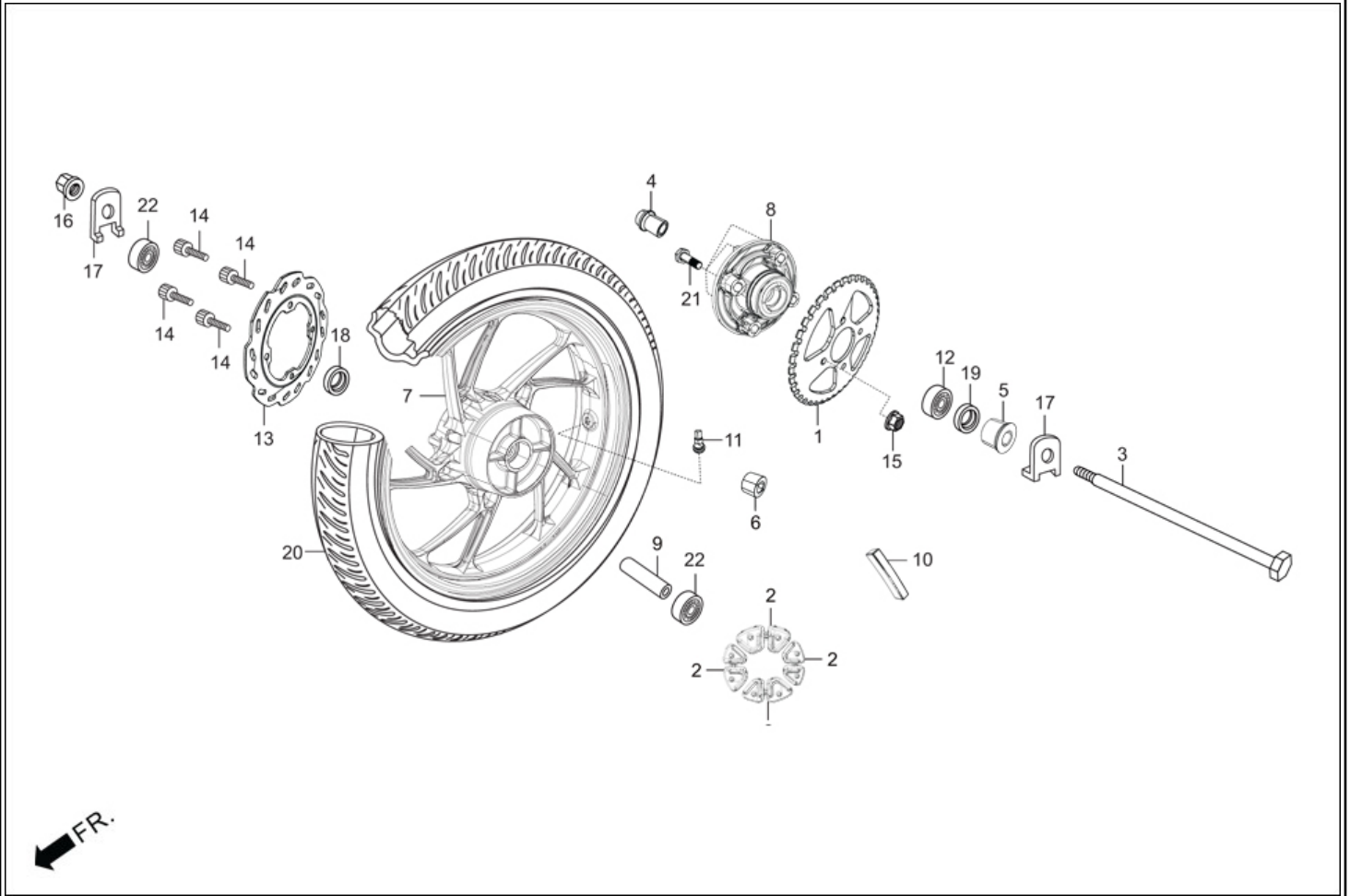
## F-9-DISC : RR WHEEL /FLANGE ASSY.DRIVEN (DISC)



**Group Number:** F-9-DISC Model :: Hunk 160R FI BSVI (Apr, 2020)

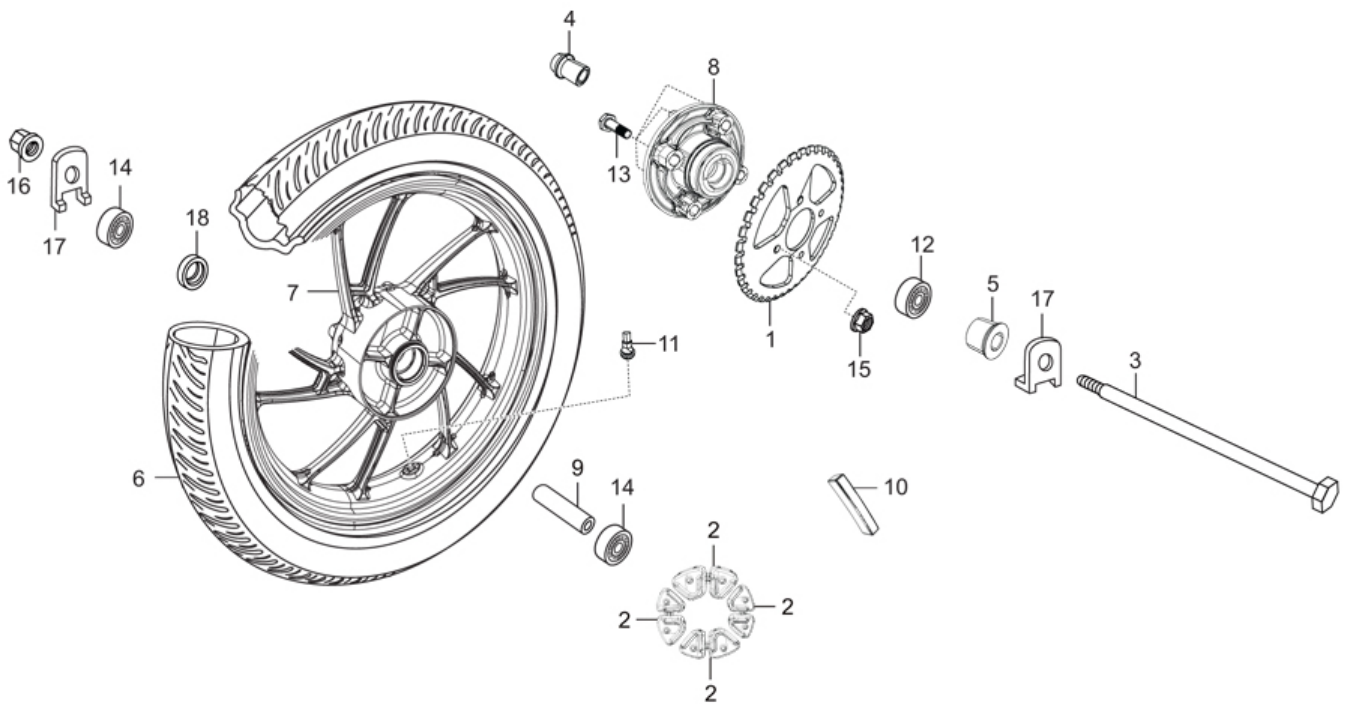
Ref No.	Part Number	Description	Req.
1	41201-AAR-000	SPROCKET FINAL DRIVEN 40T	1
2	41241-ABZ-000	DAMPER, RR. WHEEL	4
3	42301-AAB-A01	AXLE, RR. WHEEL	1
4	42303-AAB-A00	SLEEVE REAR WHEEL	1
5	42311-AAB-A00	COLLAR RR WHEEL SIDE(LH)	1
6	42313-KRY-970	COLLAR RR. BRAKE SIDE	1
7	42601-ABZ-012	WHEEL COMP RR	1
8	42615-ABZ-000	FLANGE SUB ASSY. FINAL DRIVEN	1
9	42620-AAR-000	COLLAR RR AXLE DISTANCE	1
10	42703-AAB-A00	WEIGHT BALANCE 5	1
	42704-AAB-A00	WEIGHT BALANCE 10	1
	42705-AAB-A00	WEIGHT BALANCE 20	1
	42707-AAB-A00	WEIGHT BALANCE 15	1
11	42753-KWF-90099	RIM VALVE	1
12	96150-60050-10	BEARING, BALL RADIAL, 6005	1
13	43251-ABZ-010	DISC, RR BRAKE	1
14	90105-KL8-741	BOLT, FR.DISK, 8 X 24	4
15	90304-KCS-920	NUT U 10 MM	4
16	90305-KVN-900	NUT, FLG. PT. 14 MM	1
17	90560-KVE-900	WASHER, R RR. AXLE	2
18	91253-KSP-901	DUST SEAL, 30 X 47 X 8	1
19	91257-230-003	OIL SEAL 28X42X7	1
20	42711-AAB-A01	TYRE, RR (MRF)	1
21	92102-ABZ-000	BOLT HEX M10X38	4

# F-9-DISC : RR WHEEL /FLANGE ASSY.DRIVEN (DISC)



22	96140-63020-10	BRG., BALL RADIAL, 6302 (U)	2
----	----------------	-----------------------------	---

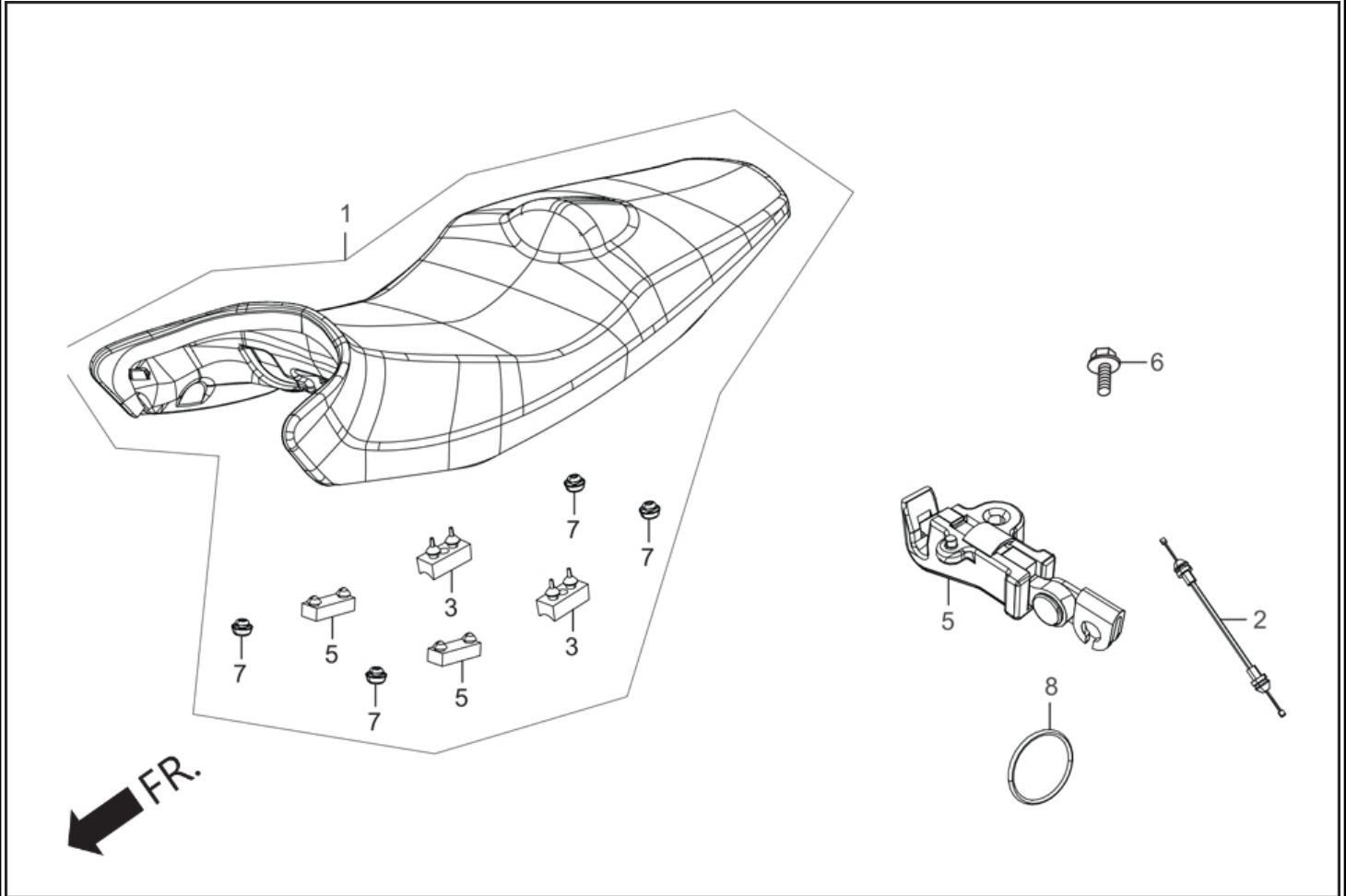
## F-9A-DRUM : RR WHEEL /FLANGE ASSY.DRIVEN (DRUM)



**Group Number:** F-9A-DRUM **Model ::** Hunk 160R FI BSVI (Apr, 2020)

Ref No.	Part Number	Description	Req.
1	41201-AAR-000	SPROCKET FINAL DRIVEN 40T	1
2	41241-ABZ-000	DAMPER, RR. WHEEL	4
3	42301-AAB-A01	AXLE, RR. WHEEL	1
4	42303-AAB-A00	SLEEVE REAR WHEEL	1
5	42311-AAB-A00	COLLAR RR WHEEL SIDE(LH)	1
6	42711-AAB-A01	TYRE, RR (MRF)	1
7	42601-ABZ-002	WHEEL COMP. RR.	1
8	42615-ABZ-000	FLANGE SUB ASSY. FINAL DRIVEN	1
9	42620-ABZ-000	COLLAR RR AXLE DISTANCE	1
10	42703-AAB-A00	WEIGHT BALANCE 5	1
	42704-AAB-A00	WEIGHT BALANCE 10	1
	42705-AAB-A00	WEIGHT BALANCE 20	1
	42707-AAB-A00	WEIGHT BALANCE 15	1
11	42753-KWF-90099	RIM VALVE	1
12	96150-60050-10	BEARING, BALL RADIAL, 6005	1
13	92102-ABZ-000	BOLT HEX M10X38	4
14	96140-63020-10	BRG., BALL RADIAL, 6302 (U)	2
15	90304-KCS-920	NUT U 10 MM	4
16	90305-KVN-900	NUT, FLG. PT. 14 MM	1
17	90560-KVE-900	WASHER, R RR. AXLE	2
18	91253-KSP-901	DUST SEAL, 30 X 47 X 8	1

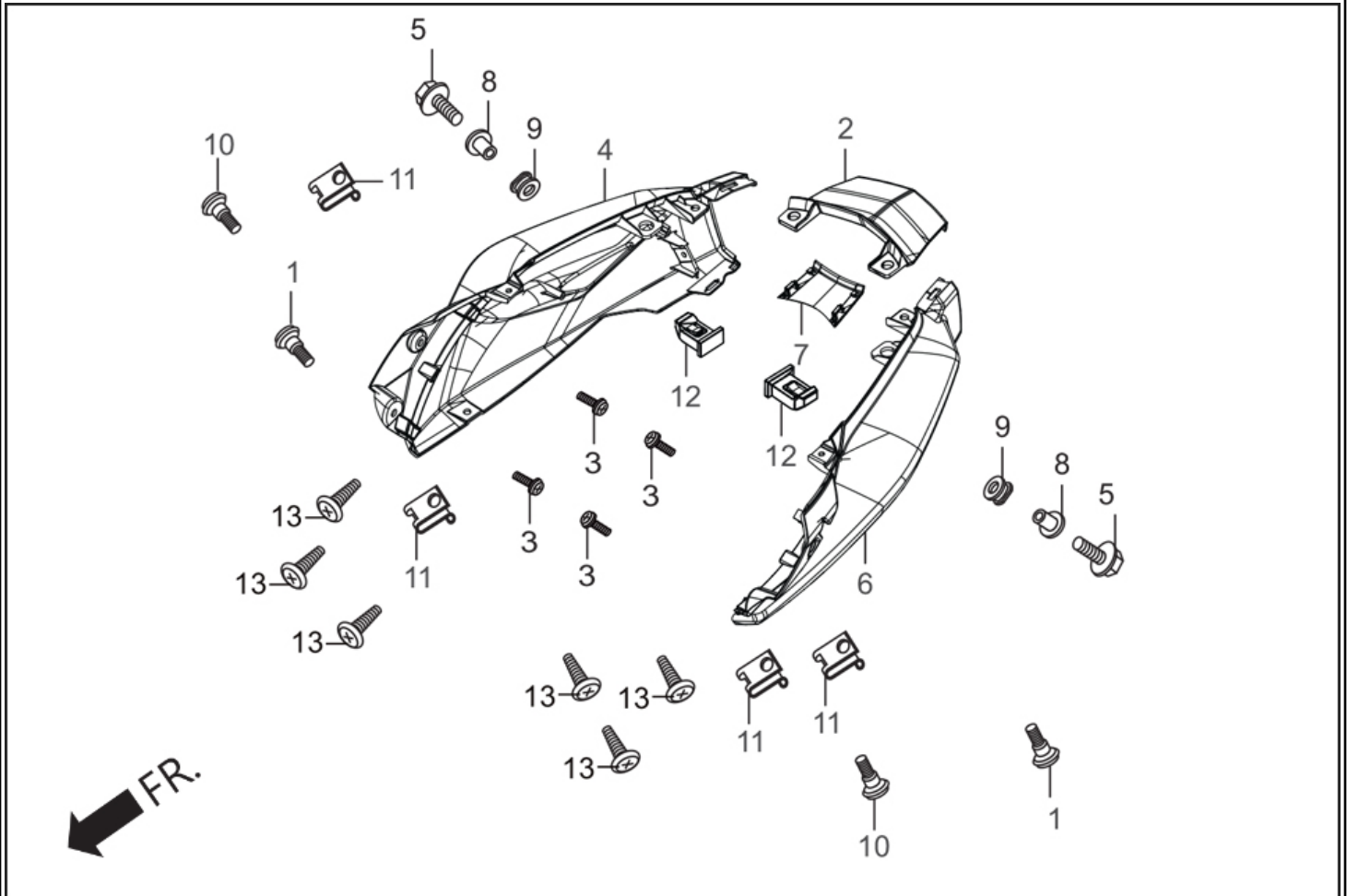
## F-10 : SEAT ASSY.



**Group Number:** F-10 Model :: Hunk 160R FI BSVI (Apr, 2020)

Ref No.	Part Number	Description	Req.
1	77200-ABZ-000	SEAT COMP. DOUBLE	1
2	77156-ABZ-000	CABLE SEAT LOCK	1
3	77204-AAR-000	CUSHION RUBBER RIDER SEAT	2
4	77205-KTN-700	RUBBER B, SEAT SETTING	2
5	77220-KY6-000	HOOK, SEAT CATCH	2
6	95701-06012-00	BOLT, FLANGE, 6X12	1
7	50354-428-000	STOPPER,RUBBERB	4
8	80123-KCC-870	BAND, TOOL	1

## F-10A : BODY COVER (R./L. COWLS)

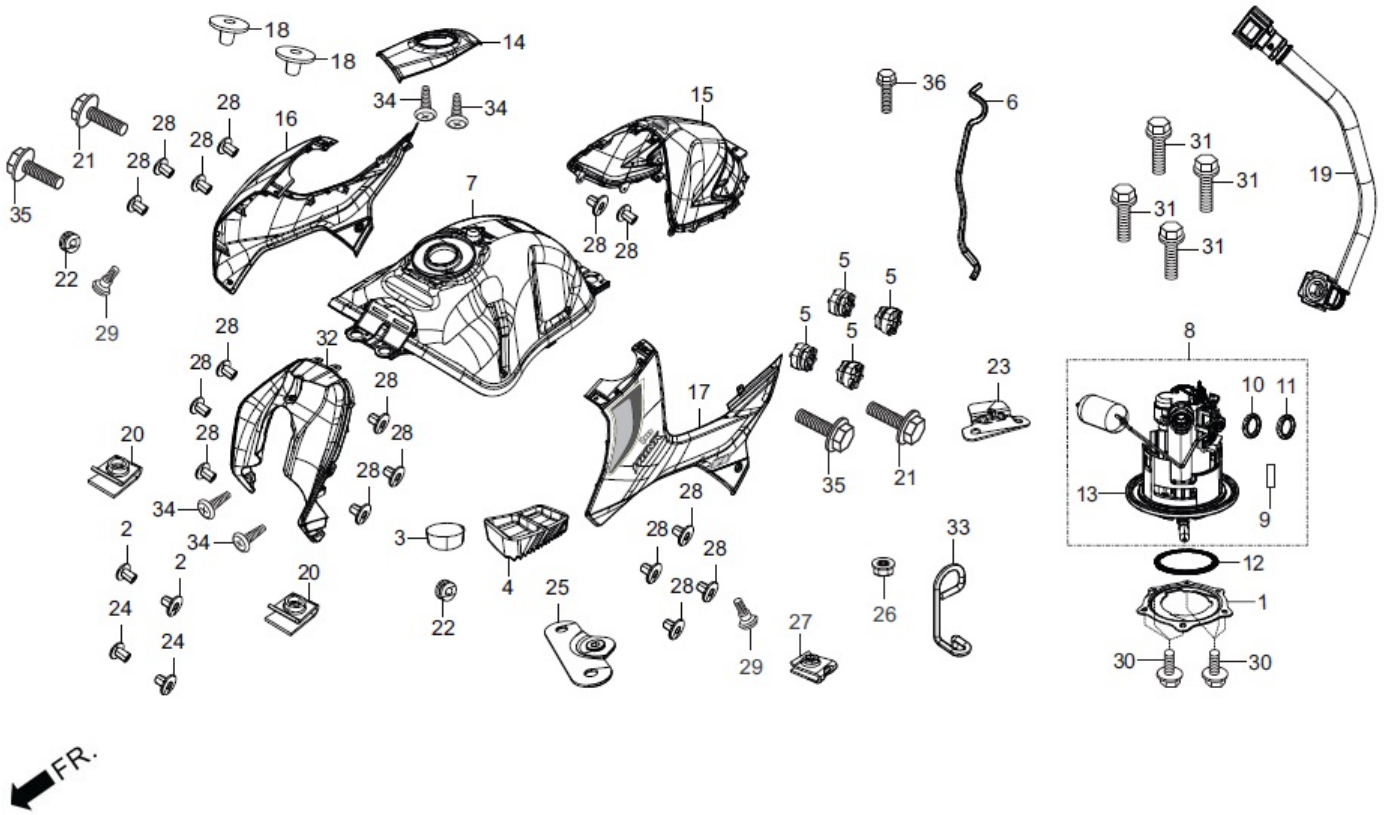


**Group Number:** F-10A Model :: Hunk 160R FI BSVI (Apr, 2020)

Ref No.	Part Number	Description	Req.
1	90102-GB2-720	SCREW, PAN, 5X16	2
2	77446-ABZ-000	CENTRE RR COWL UPR	1
3	93903-34210	SCREW TAPPING 4X10	4
4	77346-ABZ-000	RR COWL R	1
5	95701-06020-00	BOLT, FLANGE, 6X20	2
6	77356-ABZ-000	RR COWL L	1
7	77456-ABZ-000	CENTRE RR COWL LWR	1
8	80111-KVN-900	COLLAR, RR. FENDER	2
9	80112-KVN-900	RUBBER, RR FENDER	2
10	90101-GE0-000	SCREW, HINGE PATCH	2
11	90320-GC3-000	NUT, SPRING, M5	4
12	90683-ABZ-000	SLIDE CLIP	2
13	93903-34310	SCREW TAPPING M4X12	6



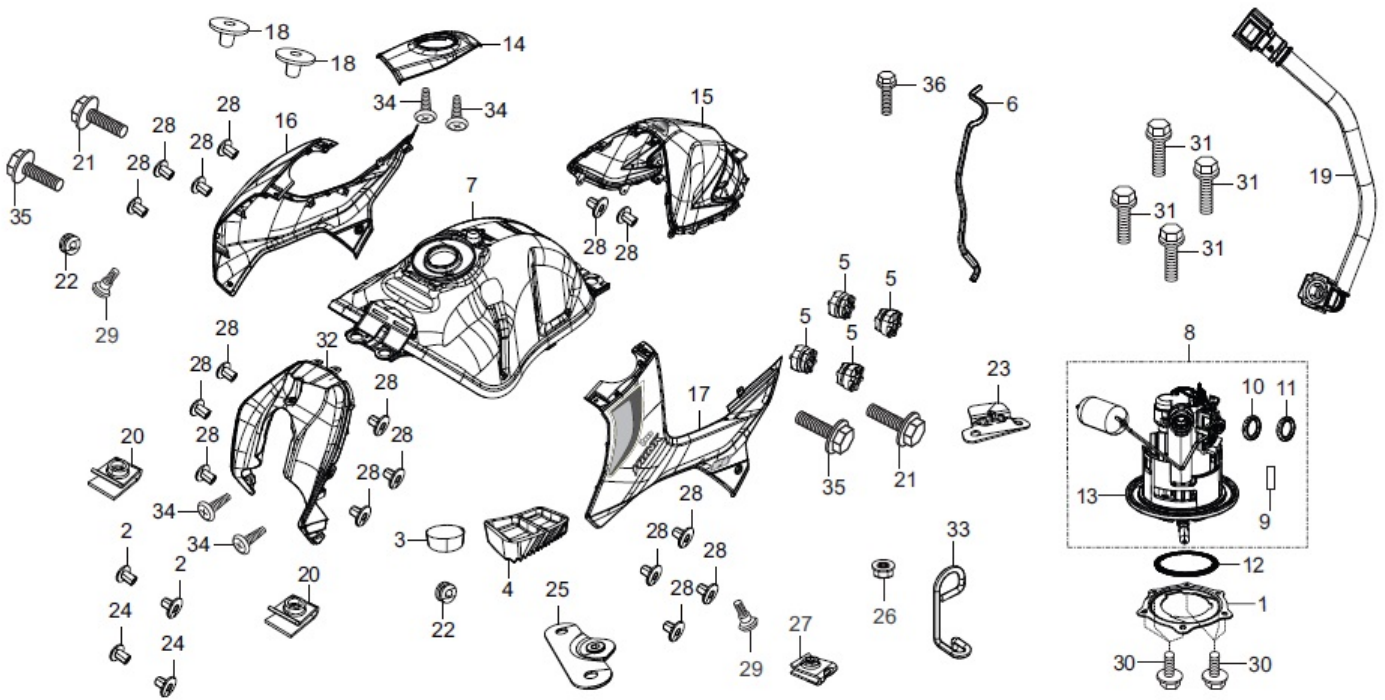
## F-11 : FUEL TANK



**Group Number: F-11 Model :: Hunk 160R FI BSVI (Apr, 2020)**

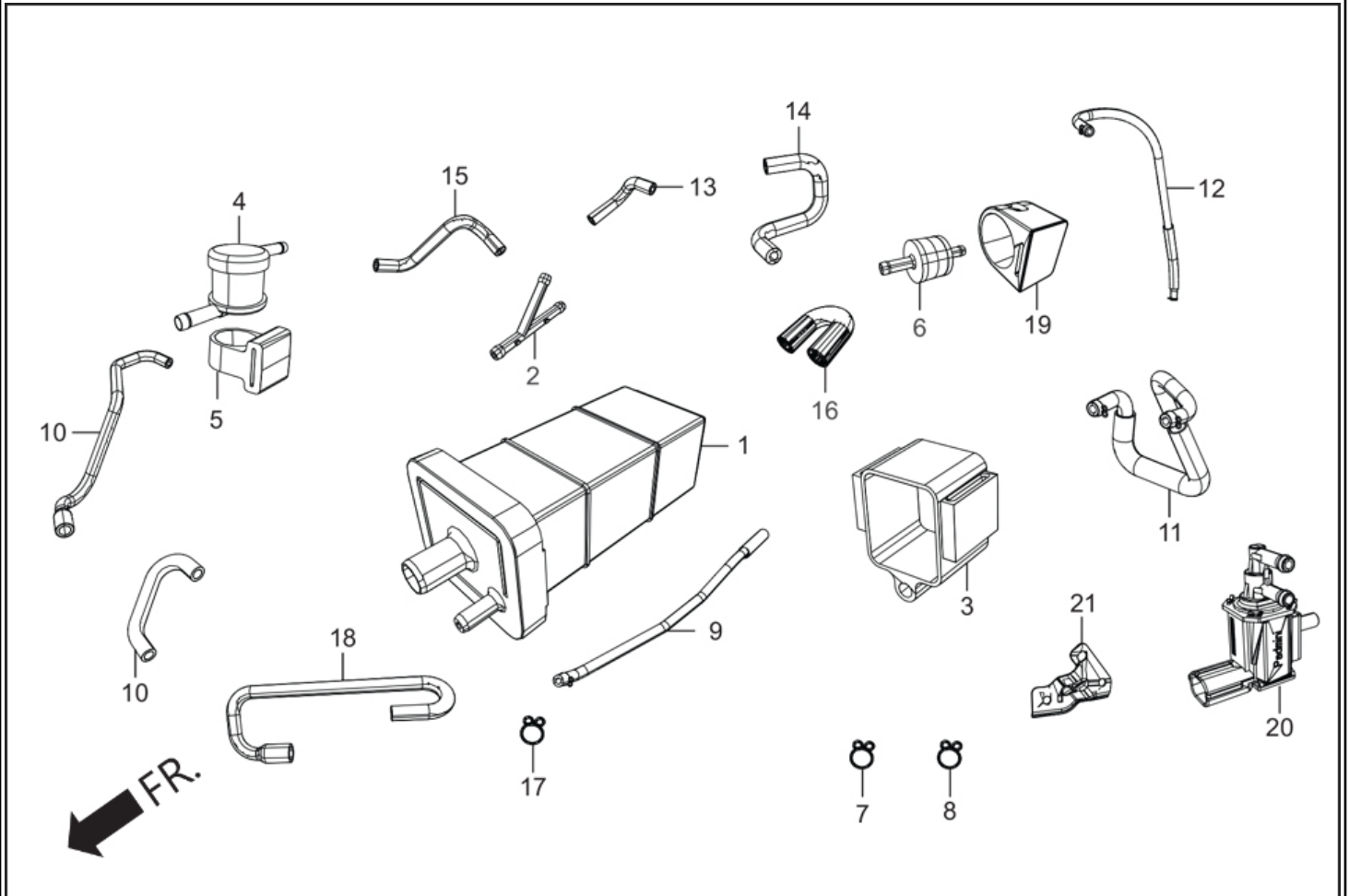
Ref No.	Part Number	Description	Req.
1	17507-ABZ-000	PLATE SETTING	1
2	17312-ABZ-000	COLLAR FRONT FUEL TANK	2
3	83407-ABZ-000	CUSHION SEPARATOR TOP SIDE	1
4	83408-ABZ-000	CUSHION TANK REAR SIDE	1
5	17622-ABZ-000	GROMMET FUEL TANK	4
6	1719A-ABZ-000	TUBE DRAIN SUB ASSY	1
7	17510-ABZ-000	TANK COMP FUEL	1
8	16700-ABZ-001	UNIT ASSY FUEL PUMP	1
9	16701-AAC-801	FUEL PUMP FILTER	1
10	16702-AAC-801	FUEL PUMP O-RING	1
11	16702-AAC-802	FULE PUMP O-RING	1
12	17572-AAC-800	GASKET FUEL PUMP	1
13	37800-ABZ-001	UNIT ASSY. FUEL	1
14	17530-ABZ-000R	TANK COVER FR. (VIBRANT BLUE ME.)	1
	17530-ABZ-000S	TANK COVER FR. (PEARL SILVER WHITE EX SPARKLE ME.)	1
	17530-ABZ-000U	TANK COVER FR. (SPORTS RED)	1
15	17580-ABZ-200R	SET TANK COVER RR. (VIBRANT BLUE ME.)	1
	17580-ABZ-200S	SET TANK COVER RR. (PEARL SILVER WHITE EX SPARKLE ME.)	1
	17580-ABZ-200U	SET TANK COVER RR. (SPORTS RED)	1
16	17550-ABZ-200R	SET TANK COVER R SIDE (VIBRANT BLUE ME.)	1
	17550-ABZ-200S	SET TANK COVER R SIDE (PEARL SILVER WHITE EX SPARKLE ME.)	1
	17550-ABZ-200U	SET TANK COVER R SIDE (SPORTS RED)	1
17	17560-ABZ-200R	SET TANK COVER L SIDE (VIBRANT BLUE ME.)	1
	17560-ABZ-200S	SET TANK COVER L SIDE (PEARL SILVER WHITE EX SPARKLE ME.)	1

## F-11 : FUEL TANK



	17560-ABZ-200U	SET TANK COVER L SIDE (SPORTS RED)	1
18	61104-428-000	COLLAR, FR, FENDER	2
19	17570-ABZ-000	HOSE FUEL FEED	1
20	90677-KAN-961	NUT CLIP 5MM	2
21	90102-KVN-900	BOLT, SP. FLANGE SOCKET 6 X 22	2
22	77202-KCC-900	RUBBER, SEAT MOUNTING	2
23	17525-ABZ-000	STAY SEAT GUIDE	1
24	17313-ABZ-000	COLLAR REAR FUEL TANK	2
25	17523-ABZ-000	STAY TANK COVER FR	1
26	90071-MB0-000	NUT, WASHER, 6 MM	1
27	90320-GC3-000	NUT, SPRING, M5	16
28	90101-087-720	SCREW, HEAD LIGHT SET	16
29	90102-GB2-720	SCREW, PAN, 5X16	2
30	95701-06012-00	BOLT, FLANGE, 6X12	6
31	95701-08035-00	BOLT, FLANGE, 8 X 35	4
32	64120-ABZ-000	TANK COVER INNER	1
33	50194-ABZ-000	GUIDE, CABLE ENG EARTH	1
34	93903-34210	SCREW TAPPING 4X10	4
35	95701-06016-00	BOLT, FLANGE, 6X16	2
36	95701-06016-07	BOLT, FLANGE, 6 X 16	1

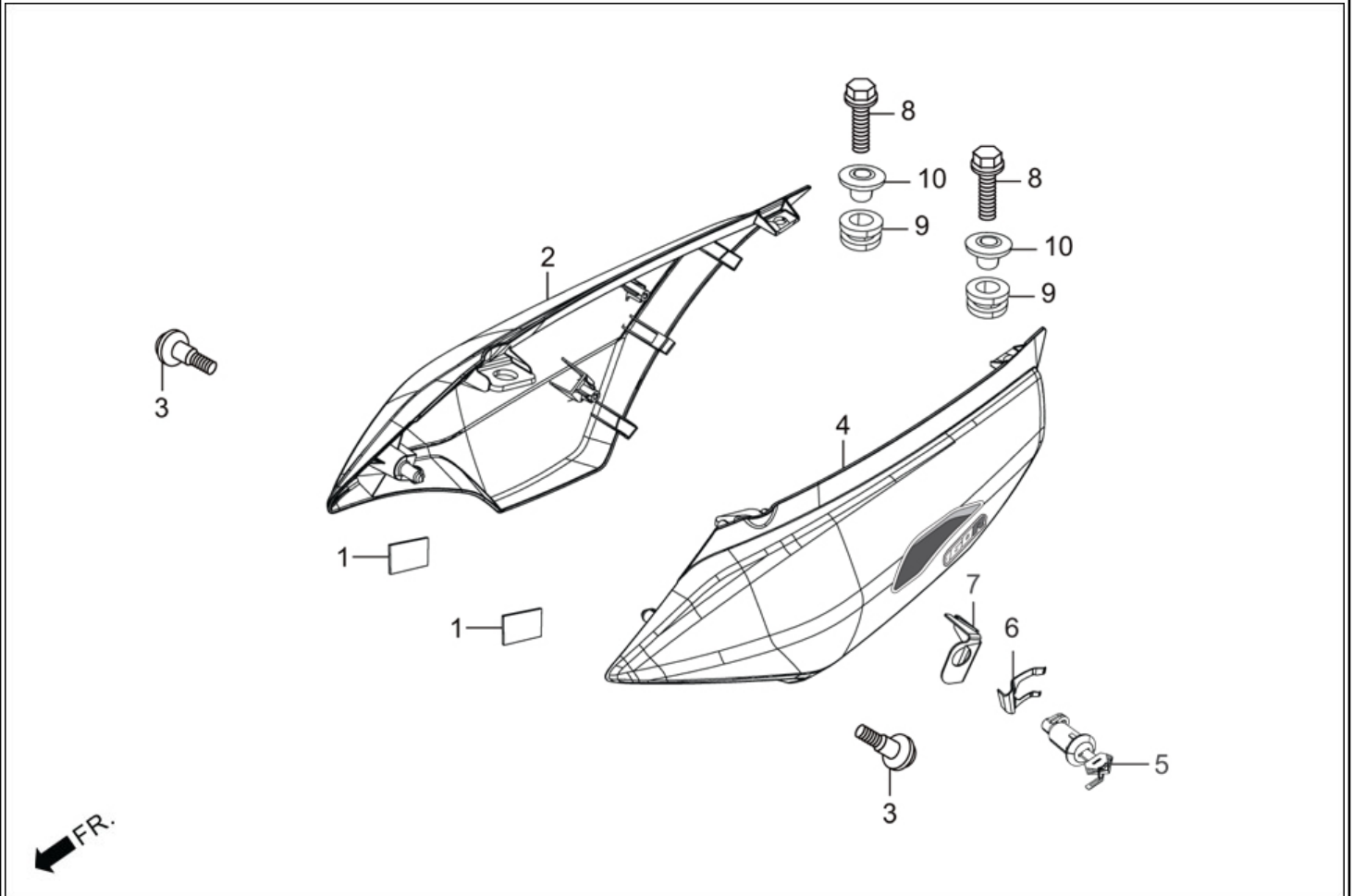
## F-11A : FUEL TANK (CANISTER ASSY.)



**Group Number:** F-11A Model :: Hunk 160R FI BSVI (Apr, 2020)

Ref No.	Part Number	Description	Req.
1	17410-AAH-A0099	CANISTER COMP	1
2	17230-AAH-100	JOINT 3 WAY	1
3	17411-ABZ-000	SUSP. CANISTER	1
4	17420-AAE-100	ROLL OVER VALVE	1
5	17421-AAB-500	SUSP ROLL OVER VALVE	1
6	17430-AAE-100	ONE WAY VALVE	1
7	95002-02130	CLIP B 12.5 TUBE	1
8	95002-70000	CLIP, C11 TUBE	2
9	1769H-ABZ-000	TUBE DRAIN CANISTER SUB ASSY	1
10	17670-ABZ-000	PURGE TUBE A	1
11	1769M-ABZ-000	TUBE PURGE B SUB ASSY	1
12	1769A-ABZ-000	TUBE A PIPE BREATHER SUB ASSY	1
13	17691-ABZ-000	TUBE A CANISTER	1
14	17693-ABZ-000	TUBE A J3W	1
15	17694-ABZ-000	TUBE B J3W	1
16	17695-AAH-A00	TUBE BREATHER OWV	1
17	95002-02080	CLIP, TUBE	13
18	17696-ABZ-000	TUBE BREATHER CANISTER	1
19	17432-AAE-100	SUSP. ONE WAY VALVE	1
20	17554-AAR-101	PURGE SOLENOID VALVE	1
21	17524-ABZ-000	STAY PURGE VALVE	1

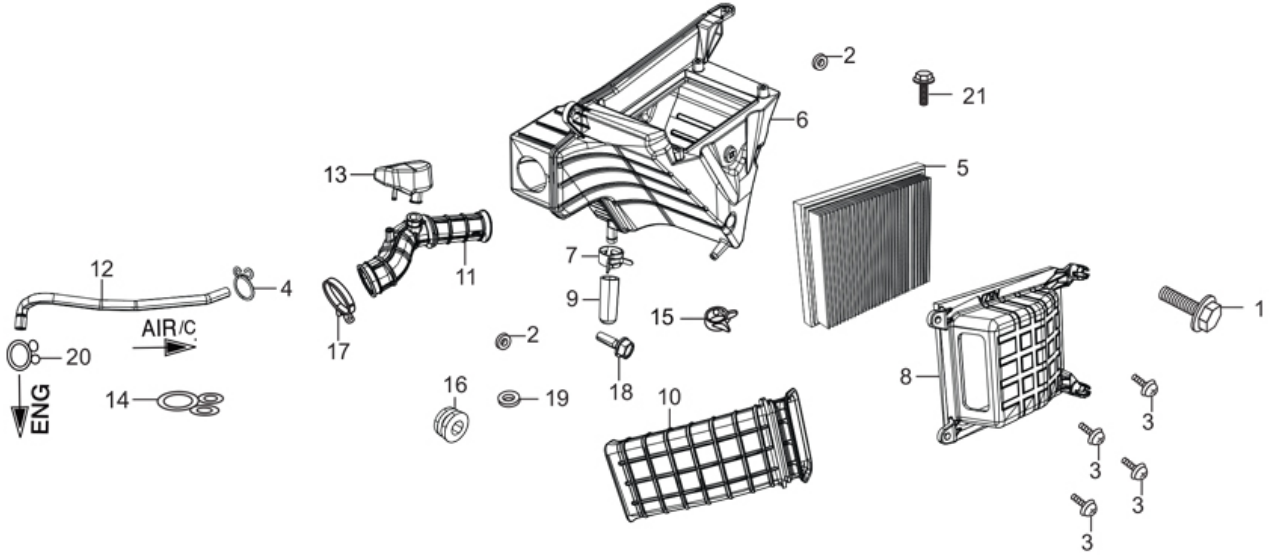
## F-12 : SIDE COVER



**Group Number:** F-12 Model :: Hunk 160R FI BSVI (Apr, 2020)

Ref No.	Part Number	Description	Req.
1	77232-KVE-900	CUSHION COWL CENTER B.	2
2	77240-ABZ-000R	SET COVER R SIDE (VIBRANT BLUE ME.)	1
	77240-ABZ-000S	SET COVER R SIDE (PEARL SILVER WHITE EX SPARKLE ME.)	1
	77240-ABZ-000U	SET COVER R SIDE (SPORTS RED)	1
3	90101-GE0-000	SCREW, HINGE PATCH	2
4	77250-ABZ-000R	SET COVER L SIDE (VIBRANT BLUE ME.)	1
	77250-ABZ-000S	SET COVER L SIDE (PEARL SILVER WHITE EX SPARKLE ME.)	1
	77250-ABZ-000U	SET COVER L SIDE (SPORTS RED)	1
5	77239-AAL-H00	KEY SEAT LOCK	1
6	75582-KCW-870	SET SPG, LOCK KEY	1
7	77244-ABZ-000	STAY SEAT LOCK CABLE	1
8	95701-06020-00	BOLT, FLANGE, 6X20	2
9	80112-KVN-900	RUBBER, RR FENDER	2
10	80111-KVN-900	COLLAR, RR. FENDER	2

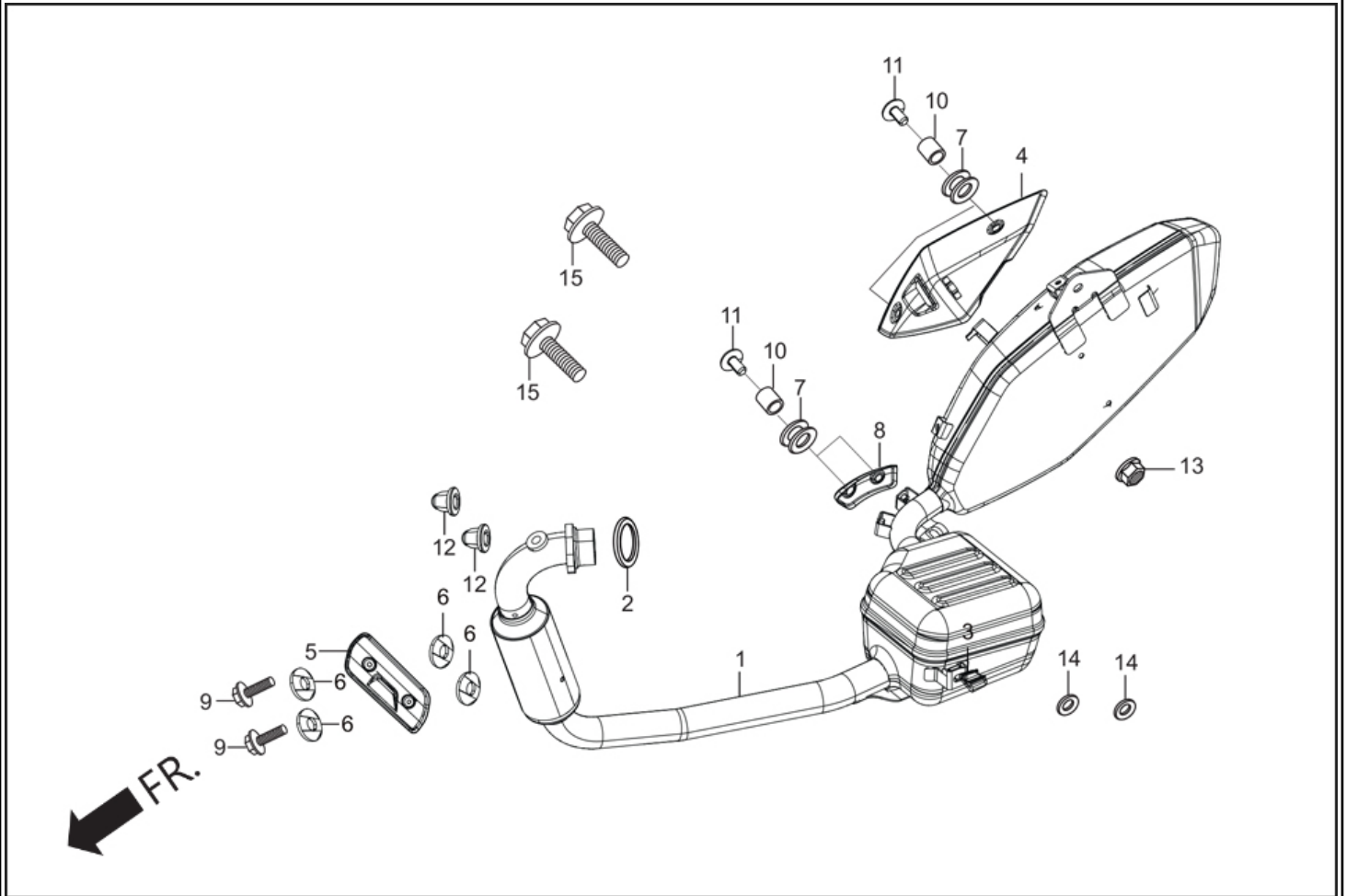
## F-13 : AIR CLEANER



**Group Number: F-13 Model :: Hunk 160R FI BSVI (Apr, 2020)**

Ref No.	Part Number	Description	Req.
1	90111-187-000	BOLT, FLANGE. 6 MM	1
2	94101-05000	WASHER , PLAIN, 5MM	2
3	93500-05016-0A	SCREW, PAN, 5 X 16	4
4	90651-MK3-780	CLIP, B 12.5 TUBE	1
5	17208-AAB-A00	ELEMENT COMP AIR/C	1
6	17210-ABZ-000	CASE COMP AIR/C	1
7	91406-KFN-850	CLAMP, D14.5 TUBE	1
8	17220-ABZ-000	COVER AIR/C CASE	1
9	17227-ABA-000	V.TUBE 11X15X40	1
10	17219-ABZ-000	DUCT AIR/C	1
11	17222-ABZ-000	TUBE AIR/C CONNECTOR	1
12	17371-ABZ-000	TUBE BREATHER	1
13	17311-ABZ-000	RESONATOR	1
14	15772-KTN-900	CLIP BREATHER TUBE	1
15	19509-GE2-003	CLAMP, D19 TUBE	1
16	83545-KCJ-690	RUBBER, SIDE COVER	1
17	95018-46320	BAND 46 AIR/C CONN. TUBE	1
18	95701-06020-00	BOLT, FLANGE, 6X20	1
19	94103-06700	WASHER, PLAIN, 6 MM	1
20	90601-KAF-003	CLIP, SW. COVER	1
21	95701-06014-00	BOLT, FLANGE, 6 X 14	1

## F-14 : MUFFLER

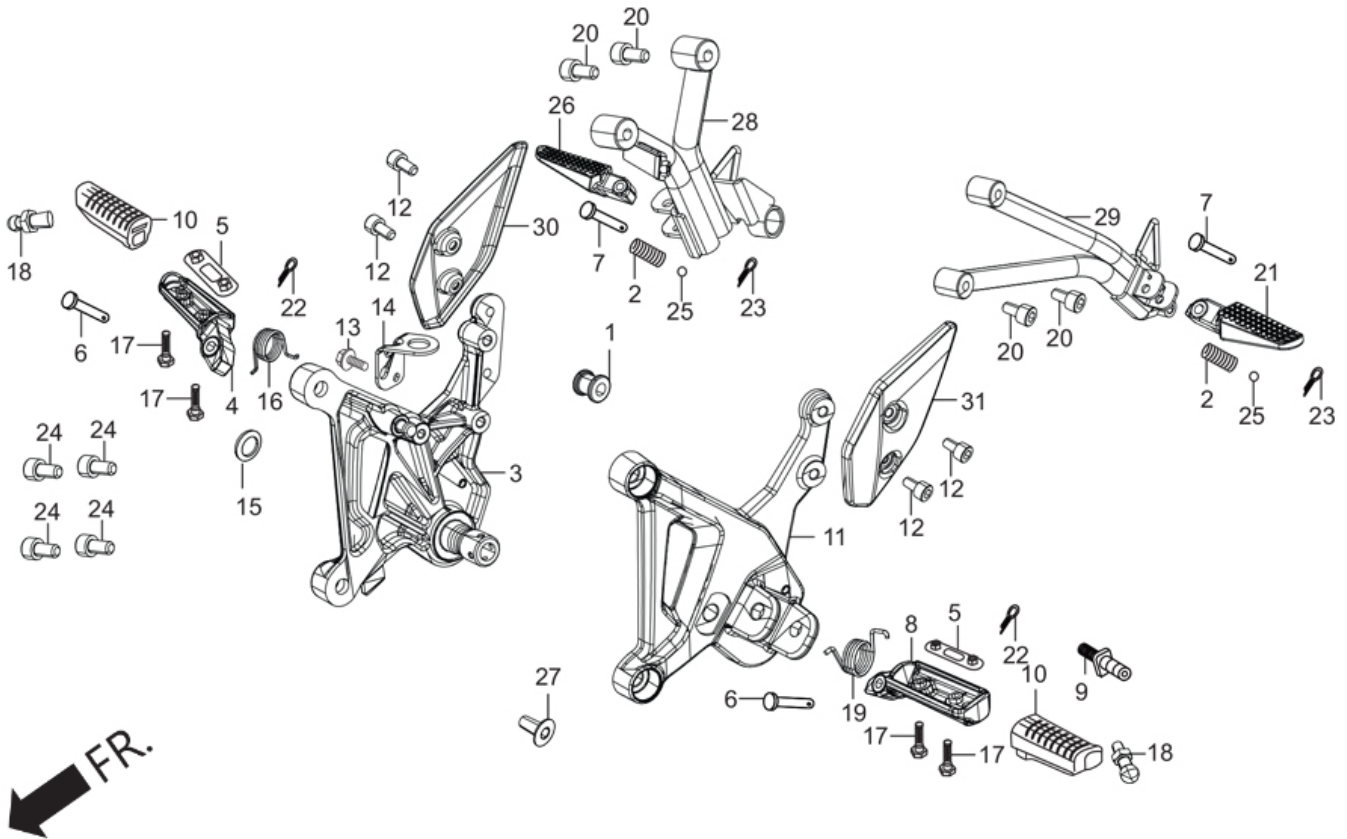


**Group Number:** F-14 Model :: Hunk 160R FI BSVI (Apr, 2020)

Ref No.	Part Number	Description	Req.
1	18300-ABZ-000	MUFFLER COMPLETE EXHAUST	1
2	18291-KRY-930	GASKET, EXHAUST PIPE	1
3	18293-KPK-900	RUBBER, PKG. PROTECTOR	1
4	18312-ABZ-000	ASSY COVER MUFFLER	1
5	18313-ABZ-000	COVER MUFFLER-1	1
6	18292-KTP-900	PACKING, PROTECTOR	4
7	18345-MBT-610	RUBBER, PROTECTOR, MOUNT	4
8	18314-ABZ-000	COVER MUFFLER-2	1
9	96001-06012-02	BOLT FLANGE 6X12	2
10	33619-459-840A	COLLAR,WINKER STAY	4
11	90107-KST-940	SCREW MUFF. PROTECTOR MOUNT	4
12	90305-KSP-900	NUT, 8MM EXP.	2
13	94050-08000	NUT, FLANGE, 8MM	1
14	94103-08700	WASHER PLAIN 8MM	2
15	95701-08040-07	BOLT FLANGE,8 X 40	2



## F-15-DISC : STEP PILLION /HOLDER / BRKT.(DISC)

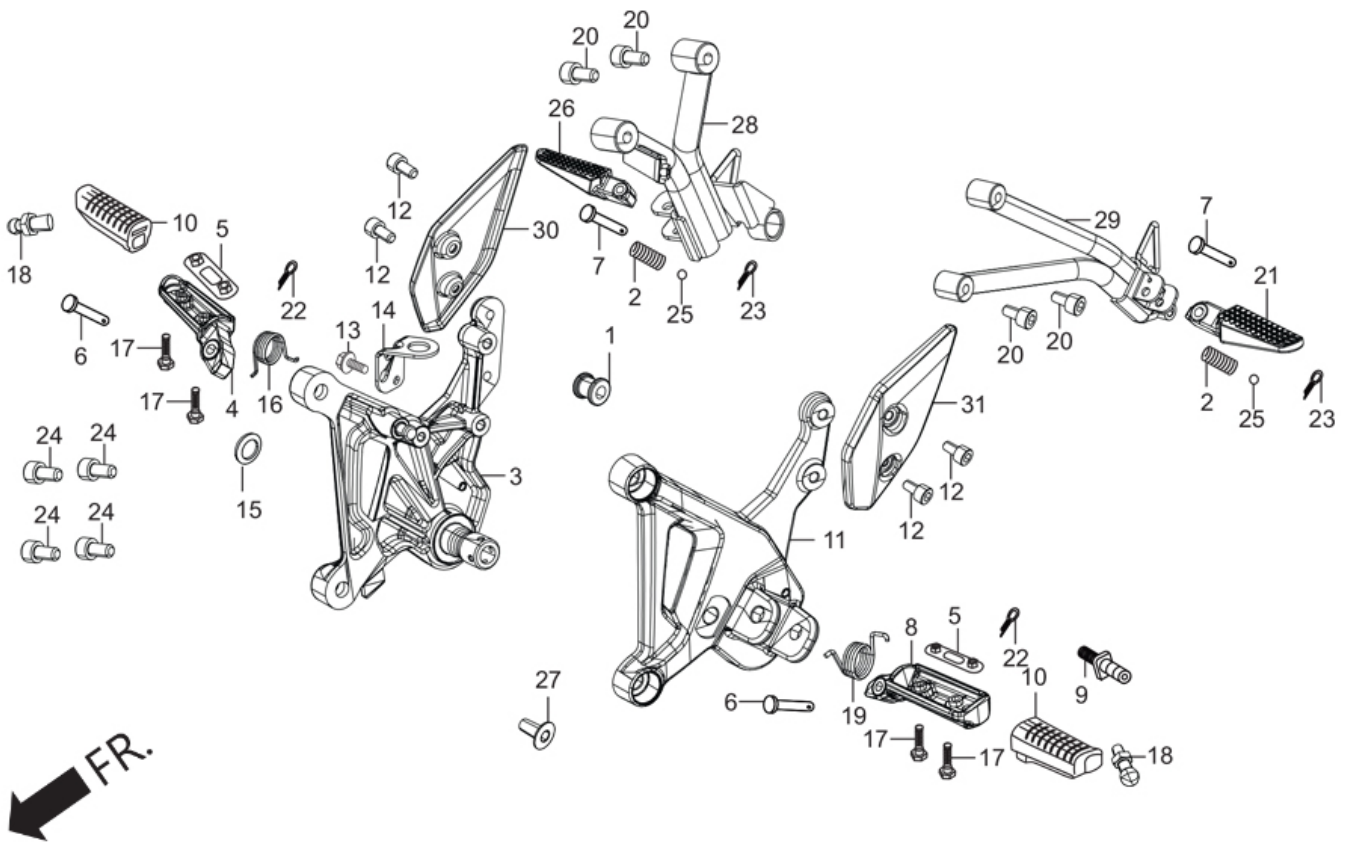


**Group Number:** F-15-DISC Model :: Hunk 160R FI BSVI (Apr, 2020)

Ref No.	Part Number	Description	Req.
1	18421-ABZ-000	RUBBER, MUFF. MOUNT	1
2	28333-300-000	SPRING KICK STARTER STOPPER	2
3	50600-ABZ-010	HOLDER R STEP	1
4	50612-KRY-970	ARM, R. STEP	1
5	50619-KRY-970	PLATE STEP SET	2
6	50603-KR0-010	PIN, MAIN STEP BAR JOINT	2
7	50639-KRY-970	PIN, STEP BAR	2
8	50642-KRY-970	ARM, L. STEP	1
9	50643-KCT-690	PIVOT,CHANGE PEDAL	1
10	50661-KVE-860	RUBBER,STEP	2
11	50700-ABZ-000	HOLDER L STEP	1
12	96700-06012-07	BOLT, SOCKET, 6 X 12	4
13	95701-05010-00	BOLT FLANGE 5X10	1
14	50602-ABZ-000	BRCKT RR STOP SW	1
15	94101-ABZ-000	WASHER PLAIN 17 MM	1
16	50617-AAS-000	SPG STEP RETURN R	1
17	90115-MV9-000	BOLT, M. STEP RUB.SET	4
18	92501-AAB-A00	BOLT HEX SPL 8X10	2
19	50644-AAS-000	SPG STEP RETURN L	1
20	96700-08048-00	SOCKET, BOLT, 8 X 48	4
21	50730-ABZ-000	PILLION FOOT PEG LH	1
22	94201-30250	PIN, SPLIT, 3.0 X 25	2
23	94201-20150	PIN, SPLIT, 2.0 X 15	2
24	96600-08032-00	BOLT FLANGE, 8 X 32	4

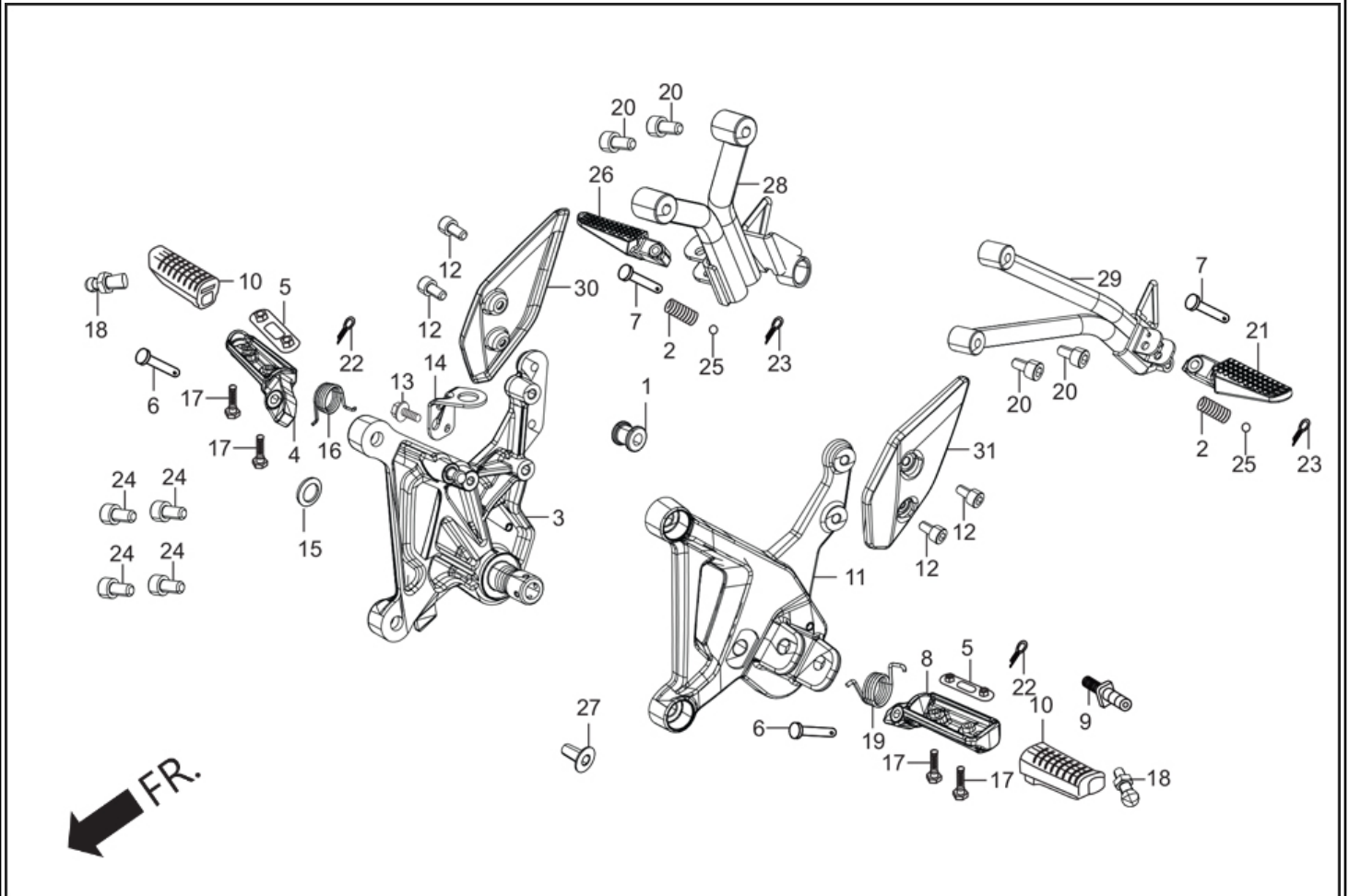


## F-15-DISC : STEP PILLION /HOLDER / BRKT.(DISC)



25	96211-08000	BALL STEEL 8 MM	2
26	50720-ABZ-000	PILLION FOOT PEG RH	1
27	18442-ABZ-000	COLLAR MUFF MOUNT	1
28	50701-ABZ-010	BRCKT COMP R PILLION STEP	1
29	50702-ABZ-000	BRCKT COMP L PILLION STEP	1
30	50605-ABZ-000	GUARD STEP RH	1
31	50606-ABZ-000	GUARD STEP LH	1

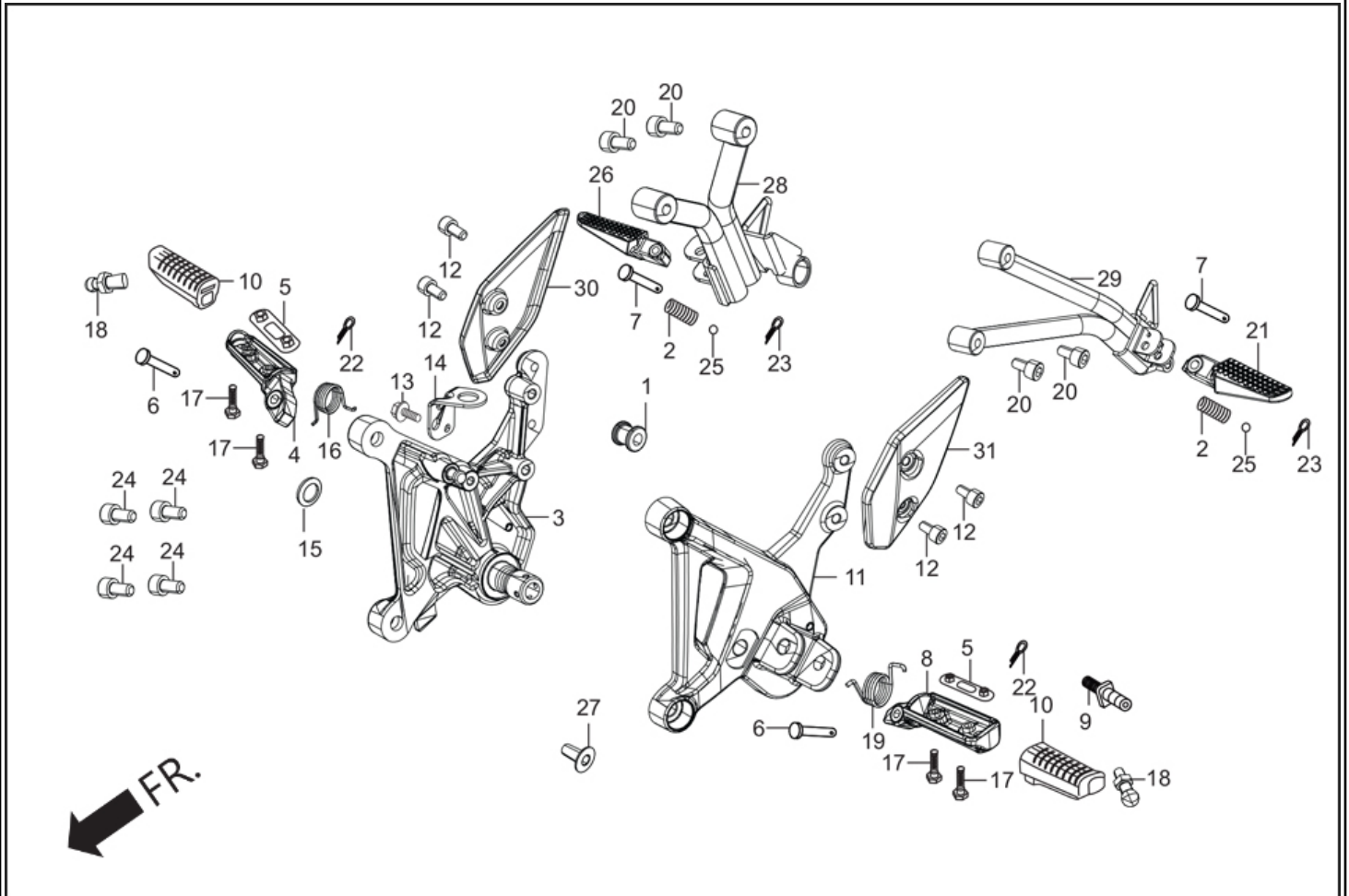
## F-15A-DRUM : STEP PILLION /HOLDER / BRKT.(DRUM)



**Group Number: F-15A-DRUM Model :: Hunk 160R FI BSVI (Apr, 2020)**

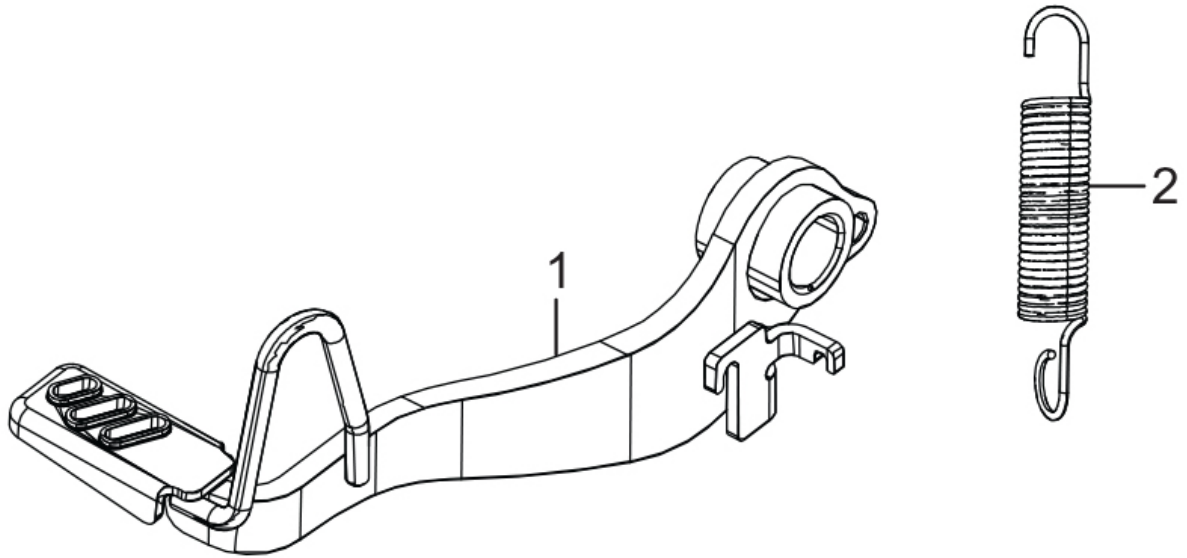
Ref No.	Part Number	Description	Req.
1	18421-ABZ-000	RUBBER, MUFF. MOUNT	1
2	28333-300-000	SPRING KICK STARTER STOPPER	2
3	50600-ABZ-010	HOLDER R STEP	1
4	50612-KRY-970	ARM, R. STEP	1
5	50619-KRY-970	PLATE STEP SET	2
6	50603-KR0-010	PIN, MAIN STEP BAR JOINT	2
7	50639-KRY-970	PIN, STEP BAR	2
8	50642-KRY-970	ARM, L. STEP	1
9	50643-KCT-690	PIVOT,CHANGE PEDAL	1
10	50661-KVE-860	RUBBER,STEP	2
11	50700-ABZ-000	HOLDER L STEP	1
12	96700-06012-07	BOLT, SOCKET, 6 X 12	4
13	95701-05010-00	BOLT FLANGE 5X10	1
14	50602-ABZ-000	BRCKT RR STOP SW	1
15	94101-ABZ-000	WASHER PLAIN 17 MM	1
16	50617-AAS-000	SPG STEP RETURN R	1
17	90115-MV9-000	BOLT, M. STEP RUB.SET	4
18	92501-AAB-A00	BOLT HEX SPL 8X10	2
19	50644-AAS-000	SPG STEP RETURN L	1
20	96700-08048-00	SOCKET, BOLT, 8 X 48	4
21	50730-ABZ-000	PILLION FOOT PEG LH	1
22	94201-30250	PIN, SPLIT, 3.0 X 25	2
23	94201-20150	PIN, SPLIT, 2.0 X 15	2
24	96600-08032-00	BOLT FLANGE, 8 X 32	4

## F-15A-DRUM : STEP PILLION /HOLDER / BRKT.(DRUM)



25	96211-08000	BALL STEEL 8 MM	2
26	50720-ABZ-000	PILLION FOOT PEG RH	1
27	18442-ABZ-000	COLLAR MUFF MOUNT	1
28	50701-ABZ-000	BRCKT COMP R PILLION STEP	1
29	50702-ABZ-000	BRCKT COMP L PILLION STEP	1
30	50605-ABZ-000	GUARD STEP RH	1
31	50606-ABZ-000	GUARD STEP LH	1

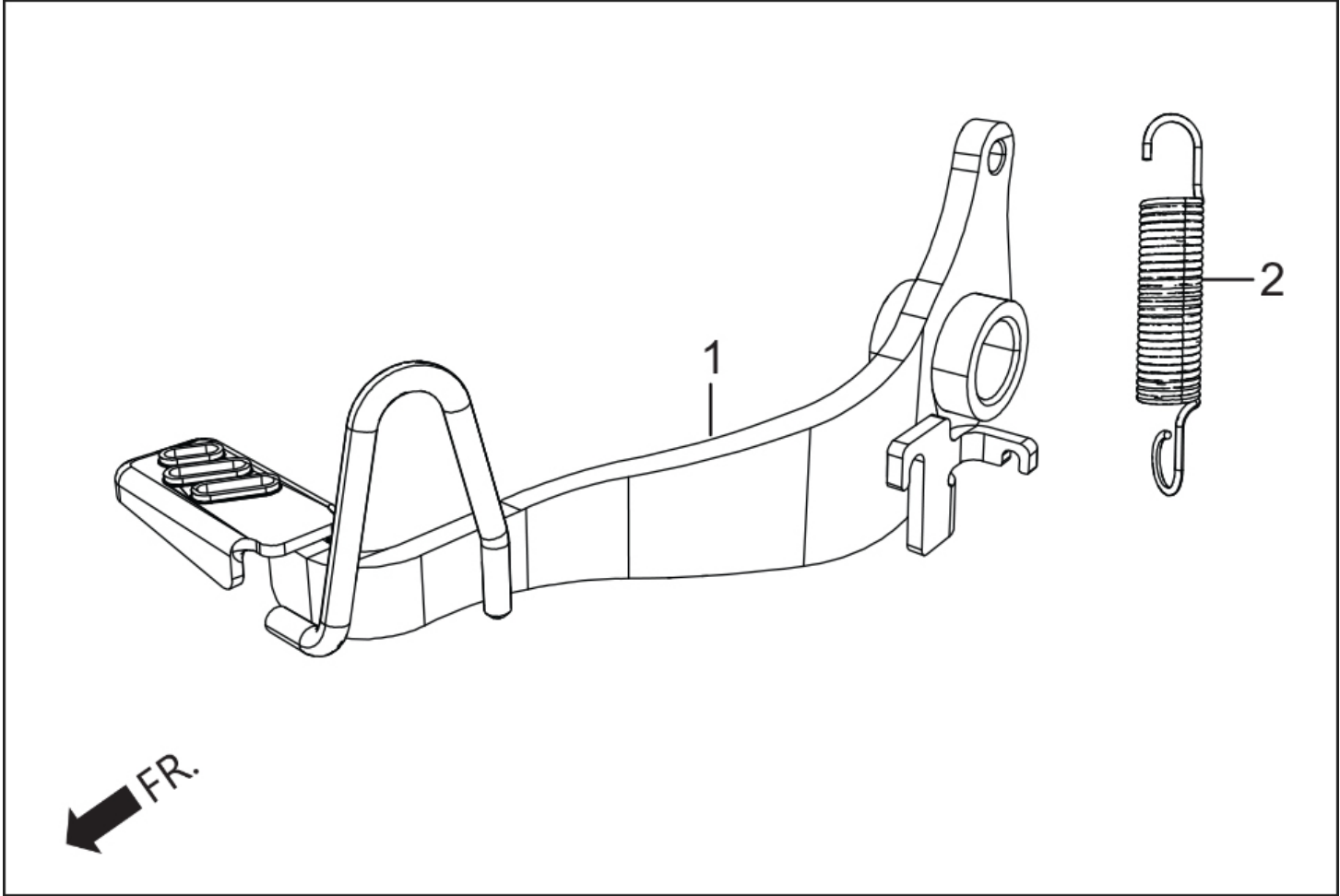
**F-15B-DISC : STEP PILLION /HOLDER / BRKT.(PEDAL BRAKE)(DISC)**



**Group Number:** F-15B-DISC **Model ::** Hunk 160R FI BSVI (Apr, 2020)

Ref No.	Part Number	Description	Req.
1	46500-ABZ-010	PEDAL BRAKE	1
2	46514-ABZ-000	SPG. BRAKE PEDAL	1

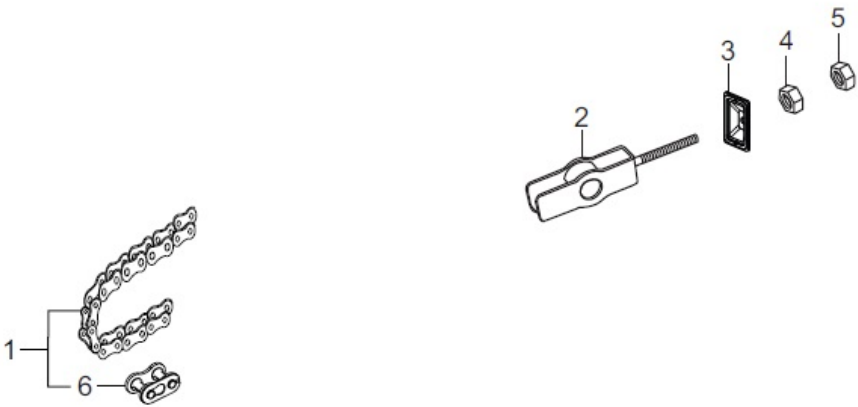
**F-15C-DRUM : STEP PILLION /HOLDER / BRKT.(PEDAL BRAKE) (DRUM)**



**Group Number:** F-15C-DRUM **Model ::** Hunk 160R FI BSVI (Apr, 2020)

Ref No.	Part Number	Description	Req.
1	46500-ABZ-000	PEDAL BRAKE	1
2	46514-ABZ-000	SPG. BRAKE PEDAL	1

**F-16 : CHAIN DRIVE /ADJUSTER CHAIN**

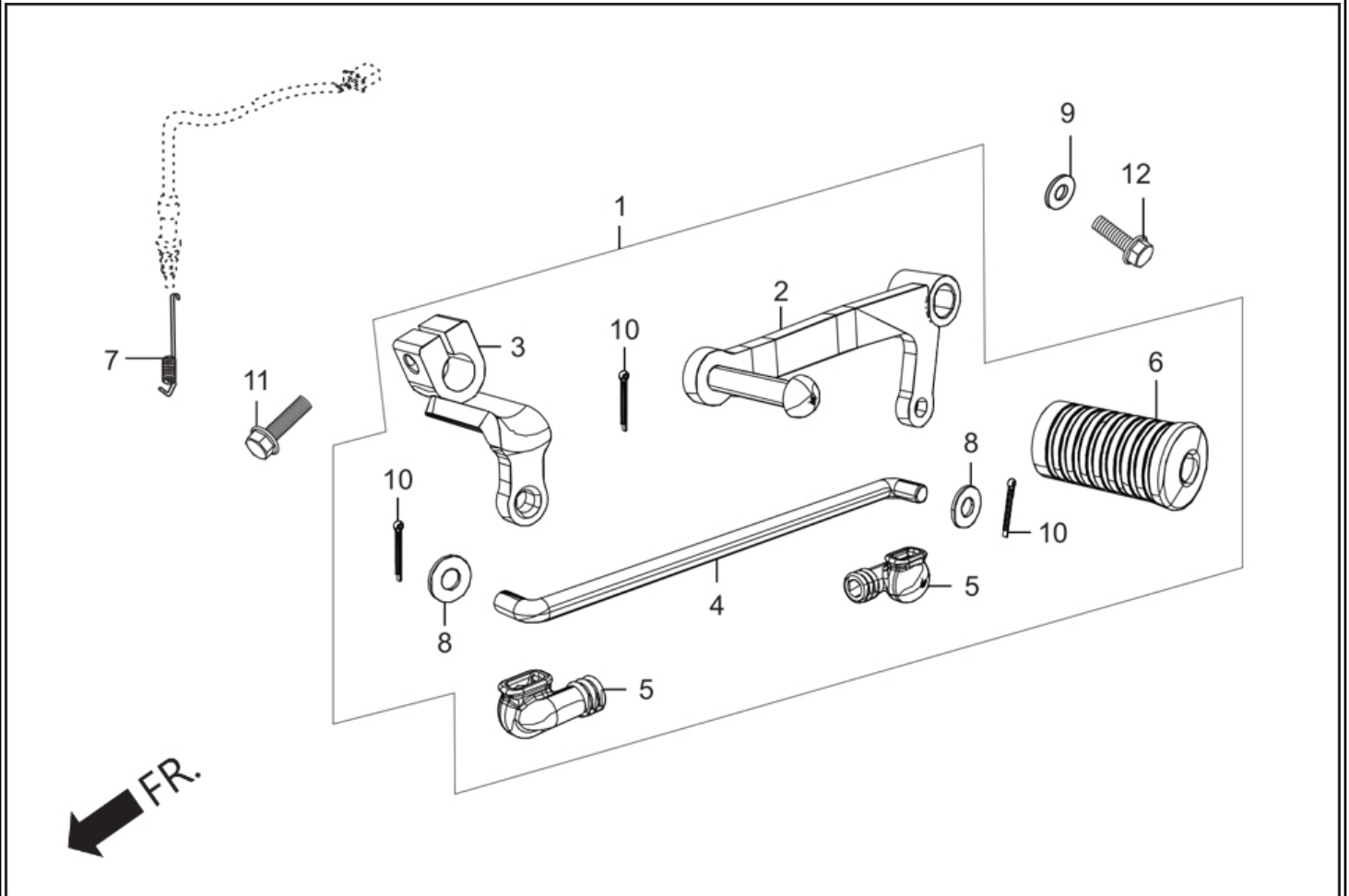


**FR.**

**Group Number:** F-16 Model :: Hunk 160R FI BSVI (Apr, 2020)

Ref No.	Part Number	Description	Req.
1	40530-ABZ-00099	CHAIN DRIVE 520H 108	1
2	40543-KRY-900	ADJUSTER, R CHAIN	1
3	40546-KVE-901	CAP, SWINGARM END	1
4	90302-KBP-900	NUT SPL 6 MM	1
5	94001-06000-0S	NUT, HEX., 6 MM	1
6	40531-ABZ-002	JOINT RJ DRIVE CHAIN	1

## F-17 : PEDAL

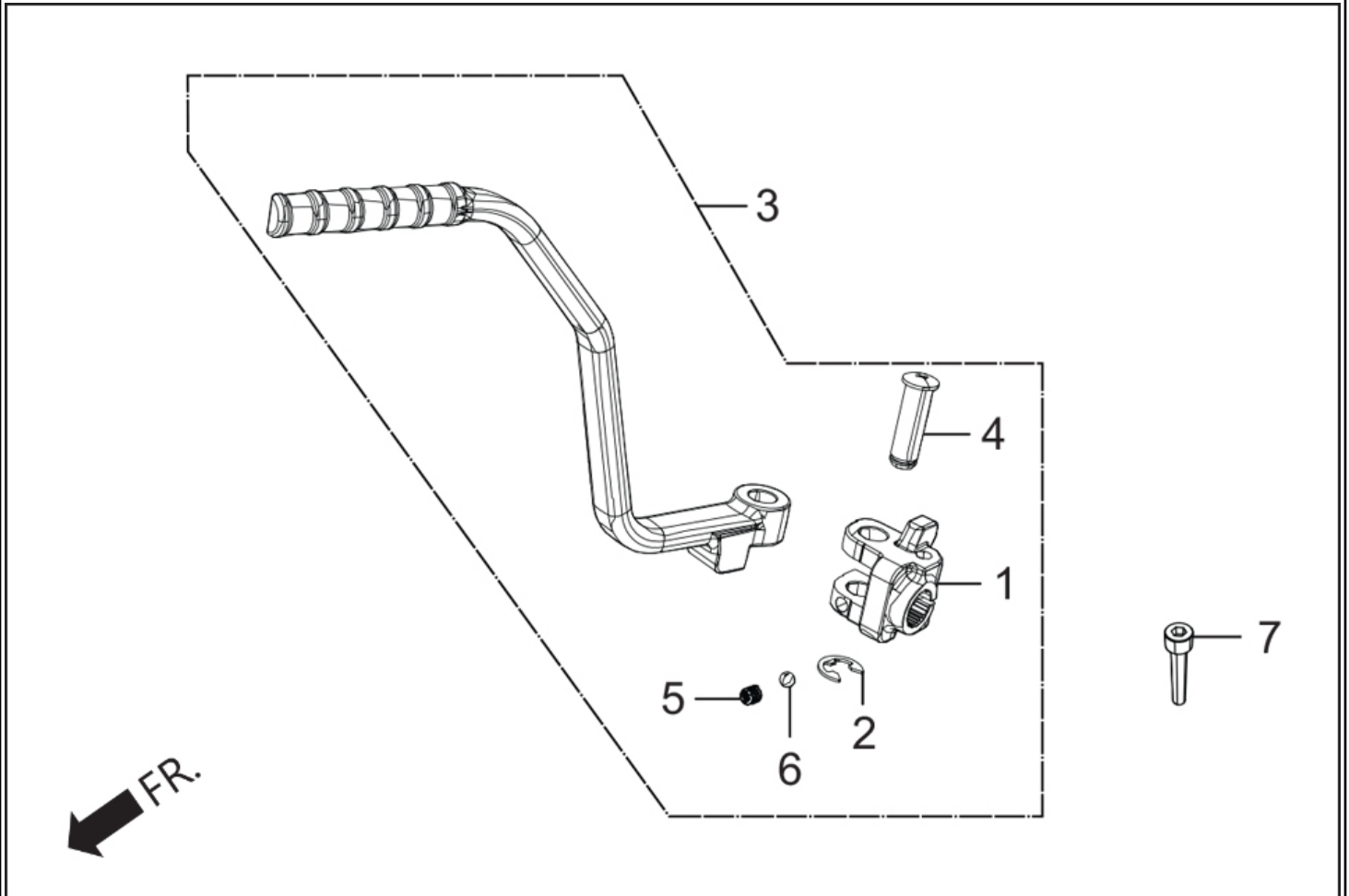


**Group Number:** F-17 Model :: Hunk 160R FI BSVI (Apr, 2020)

Ref No.	Part Number	Description	Req.
1	24700-ABZ-000	PEDAL ASSY. CHANGE	1
2	24701-ABZ-000	PEDAL GEAR CHANGE	1
3	24711-ABZ-000	ARM GEAR CHANGE	1
4	24720-ABZ-000	TIE ROD	1
5	24721-GS3-000	COVER,CHANGE PEDAL	2
6	24781-KR3-770	RUBBER, CHANGE PEDAL	1
7	35357-KCT-690	SPRING STOP SWITCH	1
8	90502-155-000	WASHER,PLAIN,7MM	2
9	94103-06000	WASHER PLAIN,6MM	1
10	94201-20150	PIN, SPLIT, 2.0 X 15	3
11	95701-06020-00	BOLT, FLANGE, 6X20	1
12	95701-06012-00	BOLT, FLANGE, 6X12	1



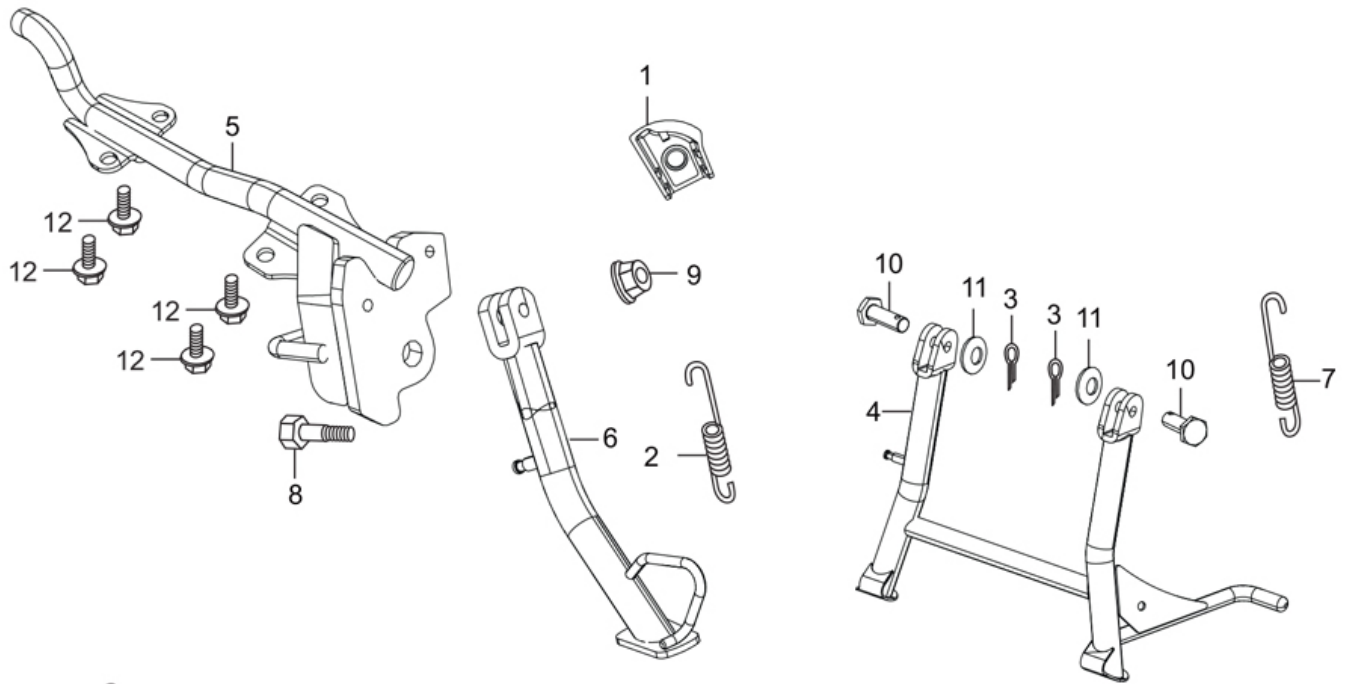
## F-17A : KICK STARTER



**Group Number:** F-17A Model :: Hunk 160R FI BSVI (Apr, 2020)

Ref No.	Part Number	Description	Req.
1	28241-ABZ-000	JOINT KICK ARM	1
2	28293-KFN-850	CLIP, KICK STARTER	1
3	28300-ABZ-000	ARM ASSY. KICK STARTER	1
4	28321-ABZ-000	PIN KICK STARTER	1
5	28333-KK0-000	SPRING, KICK STARTER ARM SET	1
6	96211-08000	BALL STEEL 8 MM	1
7	92101-08032-0A	BOLT HEX., 8 X 32	1

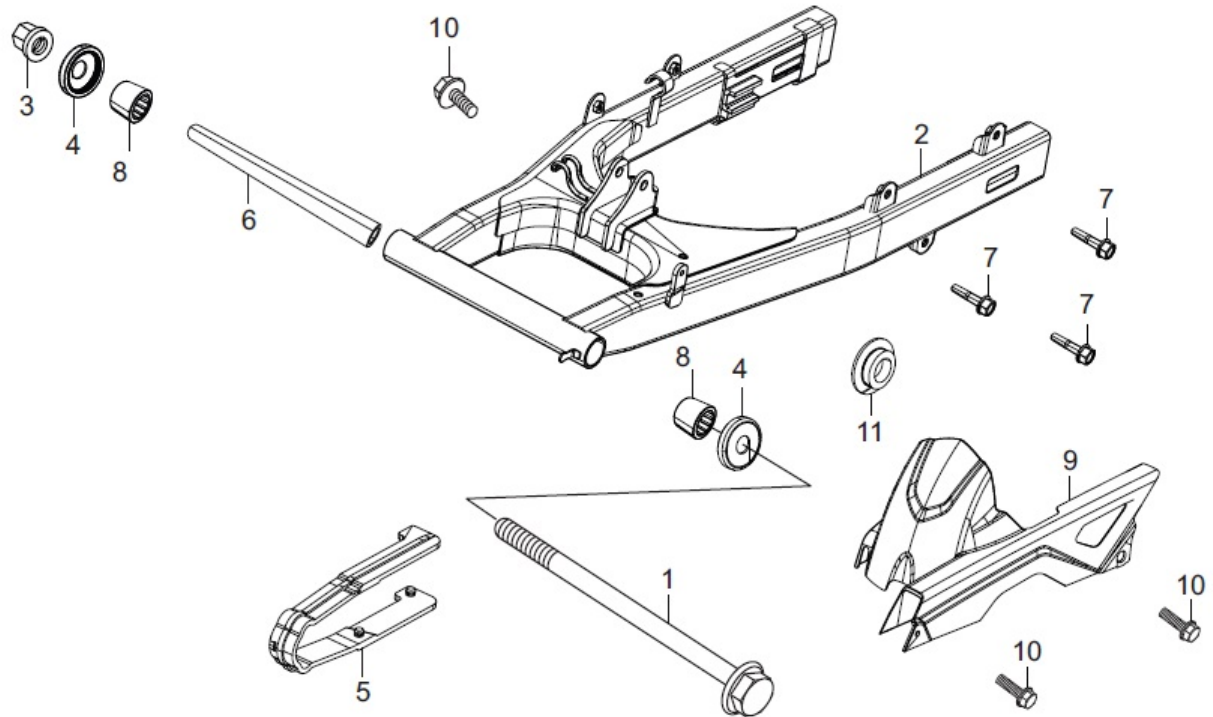
## F-18 : CHAIN CASE & STAND



**Group Number:** F-18 Model :: Hunk 160R FI BSVI (Apr, 2020)

Ref No.	Part Number	Description	Req.
1	35130-AAB-000	MAGNET HOLDER ASSY.	1
2	95014-72102	SPRING, SIDE STAND	1
3	94201-30250	PIN, SPLIT, 3.0 X 25	2
4	50500-ABZ-000	STAND COMP. MAIN	1
5	50610-ABZ-000	BRCKT SIDE STAND ASSY	1
6	50530-ABZ-000	BAR COMP. SIDE STAND	1
7	95014-71702	SPRING G MAIN STAND	1
8	90107-AAB-000	SCREW SIDE STAND PIVOT	1
9	90304-KFN-850	NUT U 10 MM	1
10	90108-ABZ-000	SCREW MAIN STAND PIVOT	2
11	94101-10000	WASHER, PLAIN, 10 MM	2
12	95701-08020-00	BOLT, FLANGE, 8X20	4

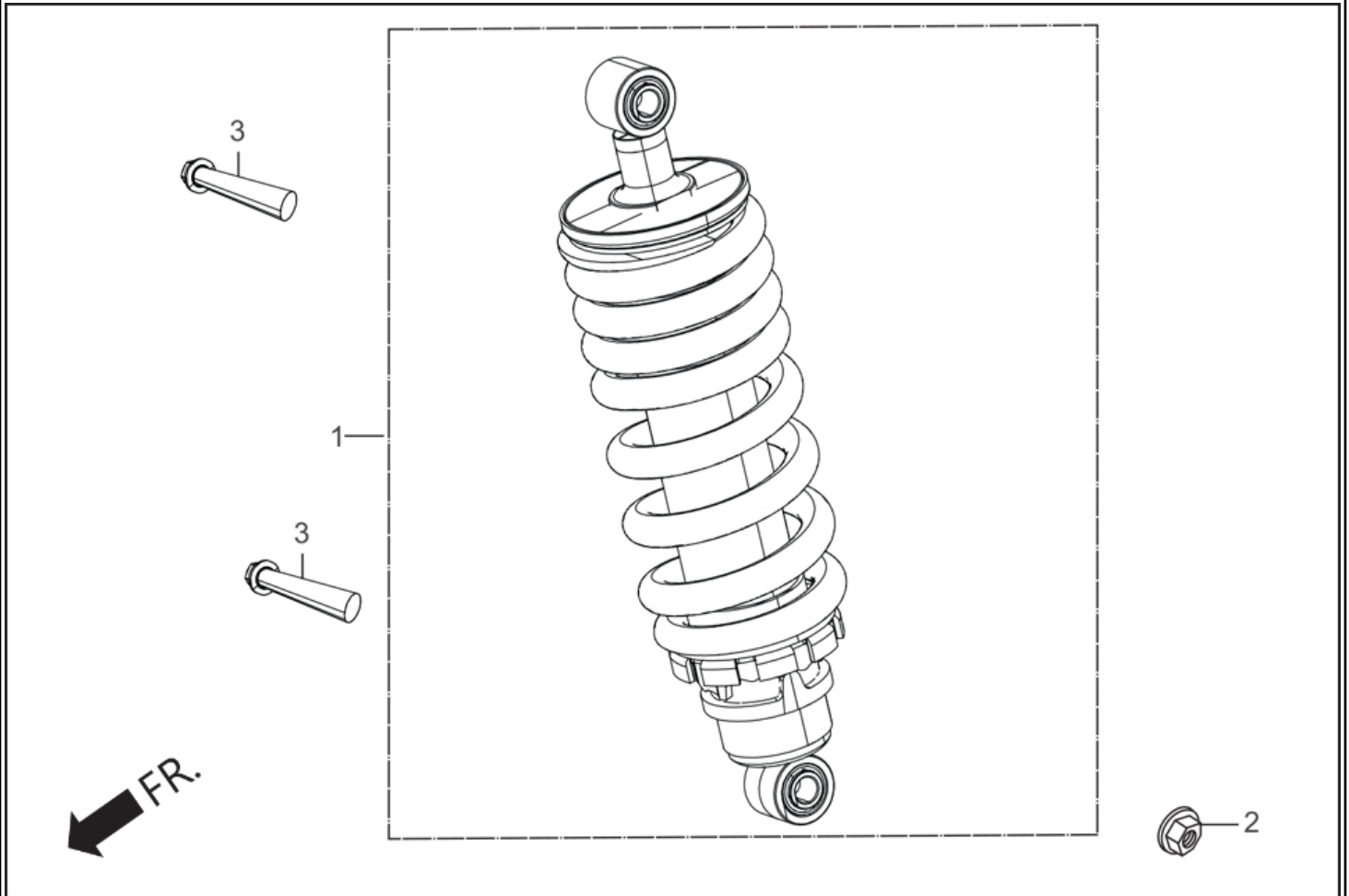
## F-18A : SWINGARM /GUARD SAREE /CHAIN CASE



**Group Number:** F-18A Model :: Hunk 160R FI BSVI (Apr, 2020)

Ref No.	Part Number	Description	Req.
12	95701-08020-00	BOLT, FLANGE, 8X20	4
1	52101-ABZ-000	BOLT,SWINGARM PIVOT	1
2	52110-ABZ-000	SWINGARM COMP RR	1
3	90305-KVN-900	NUT, FLG. PT. 14 MM	1
4	52144-ABZ-000	DUST SEAL CAP RR SWINGARM	2
5	52170-ABZ-000	SLIDER CHAIN	1
6	52141-ABZ-000	COLLAR SWING ARM PIVOT	1
7	95701-08016-07	BOLT FLANGE, 8 X 16	3
8	91071-KVN-900	BRG, NEEDLE 20X26X20	2
9	40510-ABZ-000	UPPER CHAIN CASE	1
10	90111-187-000	BOLT, FLANGE. 6 MM	3
11	90501-ABW-000	COLLAR, CHAIN CASE	1

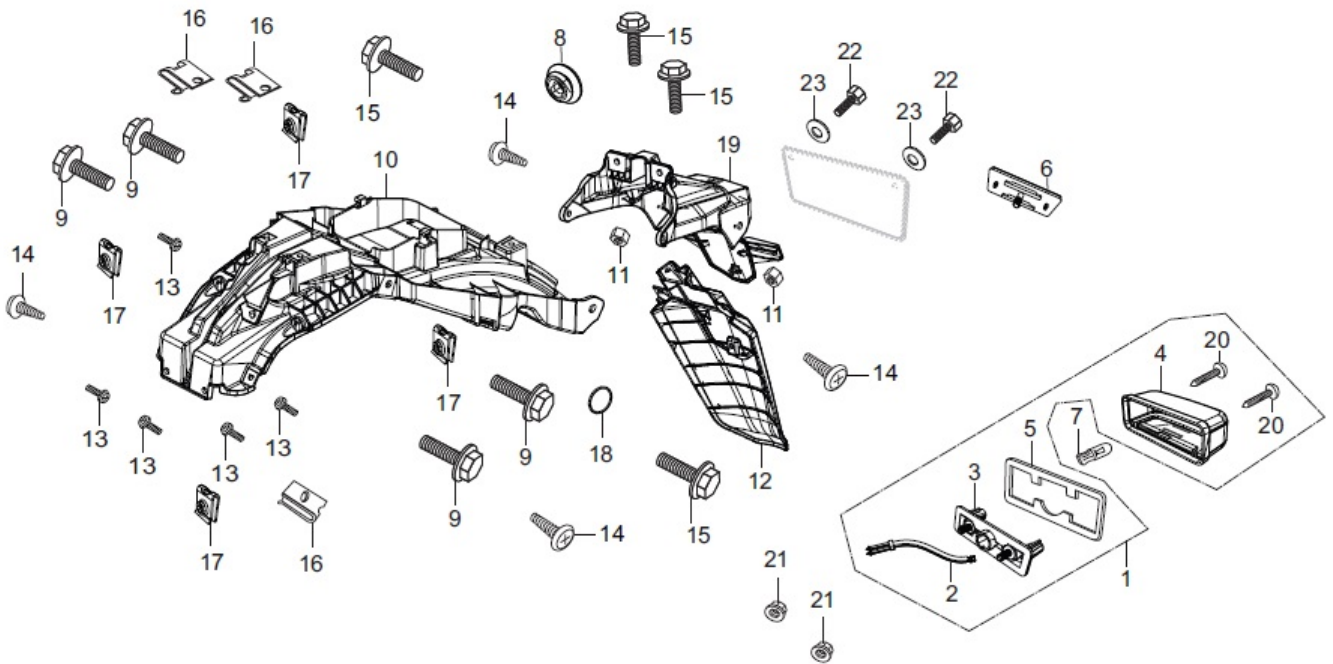
## F-19 : CUSHION REAR



**Group Number:** F-19 Model :: Hunk 160R FI BSVI (Apr, 2020)

Ref No.	Part Number	Description	Req.
1	52400-ABZ-000	CUSHION ASSY. REAR	1
2	90304-KST-942	NUT FLG.PT 10MM	1
3	90159-AAB-A00	BOLT FLANGE 10X50	2

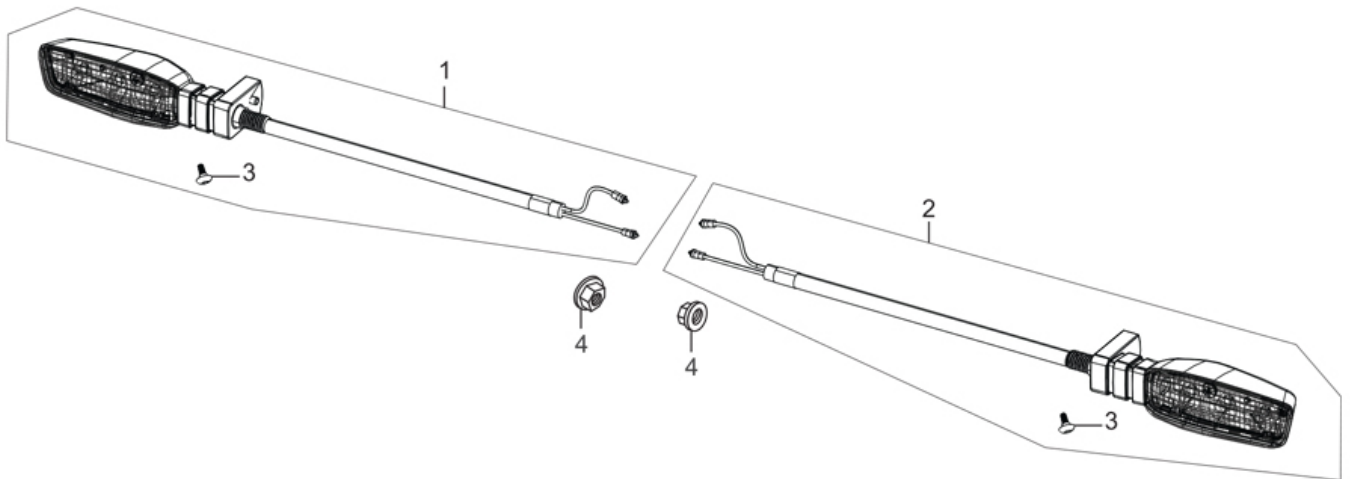
## F-20 : REAR FENDER



**Group Number:** F-20 Model :: Hunk 160R FI BSVI (Apr, 2020)

Ref No.	Part Number	Description	Req.
1	3372B-AAG-30099	LIGHT ASSY LICENSE	1
2	33721-AAG-00099	SOCKET COMP DOMESTIC	1
3	33722-AAG-00099	BASE COMP	1
4	33723-AAG-00099	COVER COMP	1
5	33729-MCZ-003	PACKING, LENS	1
6	33743-AAR-001	REFLEX REFLECTOR SIDE	1
7	33301-KVE-900	BULB, WEDGE BASE (T10, 12V-5W)	1
8	83601-MN5-000	GROMMET SIDE COVER	1
9	90111-06017-07	BOLT FLANGE 6MM	4
10	80120-ABZ-000	REAR FENDER A	1
11	94001-06090-0S	NUT, HEX, 6 MM	2
12	80150-AAB-A00	REAR FENDER C	1
13	93903-34210	SCREW TAPPING 4X10	5
14	90101-GE0-000	SCREW, HINGE PATCH	4
15	90111-187-000	BOLT, FLANGE. 6 MM	4
16	90311-MT3-000	NUT, CLIP, 6 MM	3
17	90320-GC3-000	NUT, SPRING, M5	6
18	80123-KCC-870	BAND, TOOL	1
19	80100-ABZ-000R	SET R FR COWL (VIBRANT BLUE ME.)	1
20	93903-34380	SCREW, TAPPING, 4X12	2
21	94050-05000	NUT FLANGE, 5 MM	2
22	92000-06012-0A	BOLT,HEX.,6X12	2
23	94101-06000	WASHER, PLAIN, 6 MM	2

## F-21 : FRONT WINKER

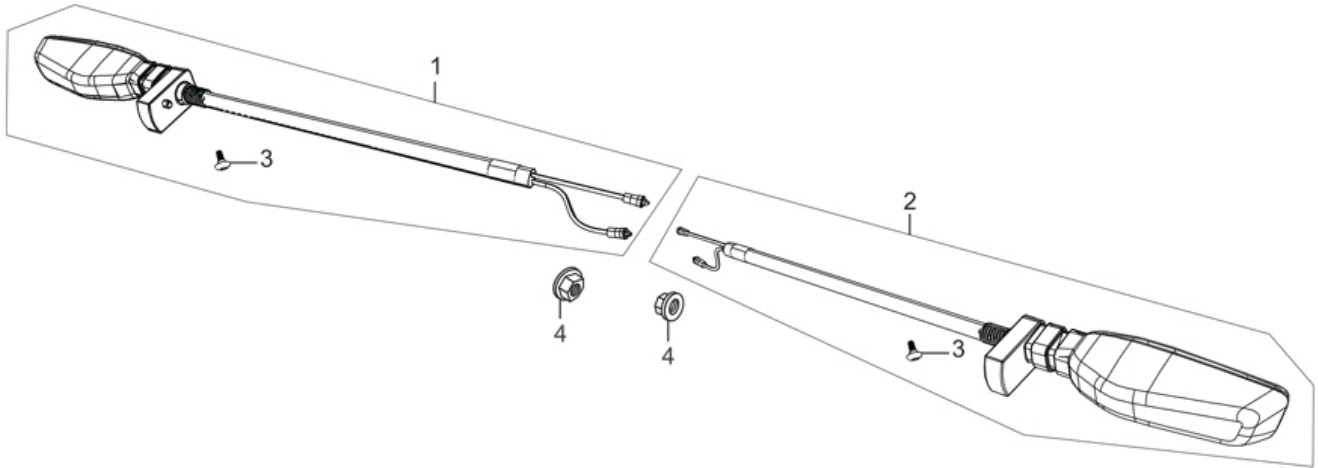


**FR.**

**Group Number:** F-21 Model :: Hunk 160R FI BSVI (Apr, 2020)

Ref No.	Part Number	Description	Req.
1	33400-ABZ-001	WINKER ASSY R FR	1
2	33450-ABZ-001	WINKER ASSY L FR	1
3	93901-AAR-001	ST. SCREW 3X10	2
4	94050-08000	NUT, FLANGE, 8MM	2

## F-21A : REAR WINKER

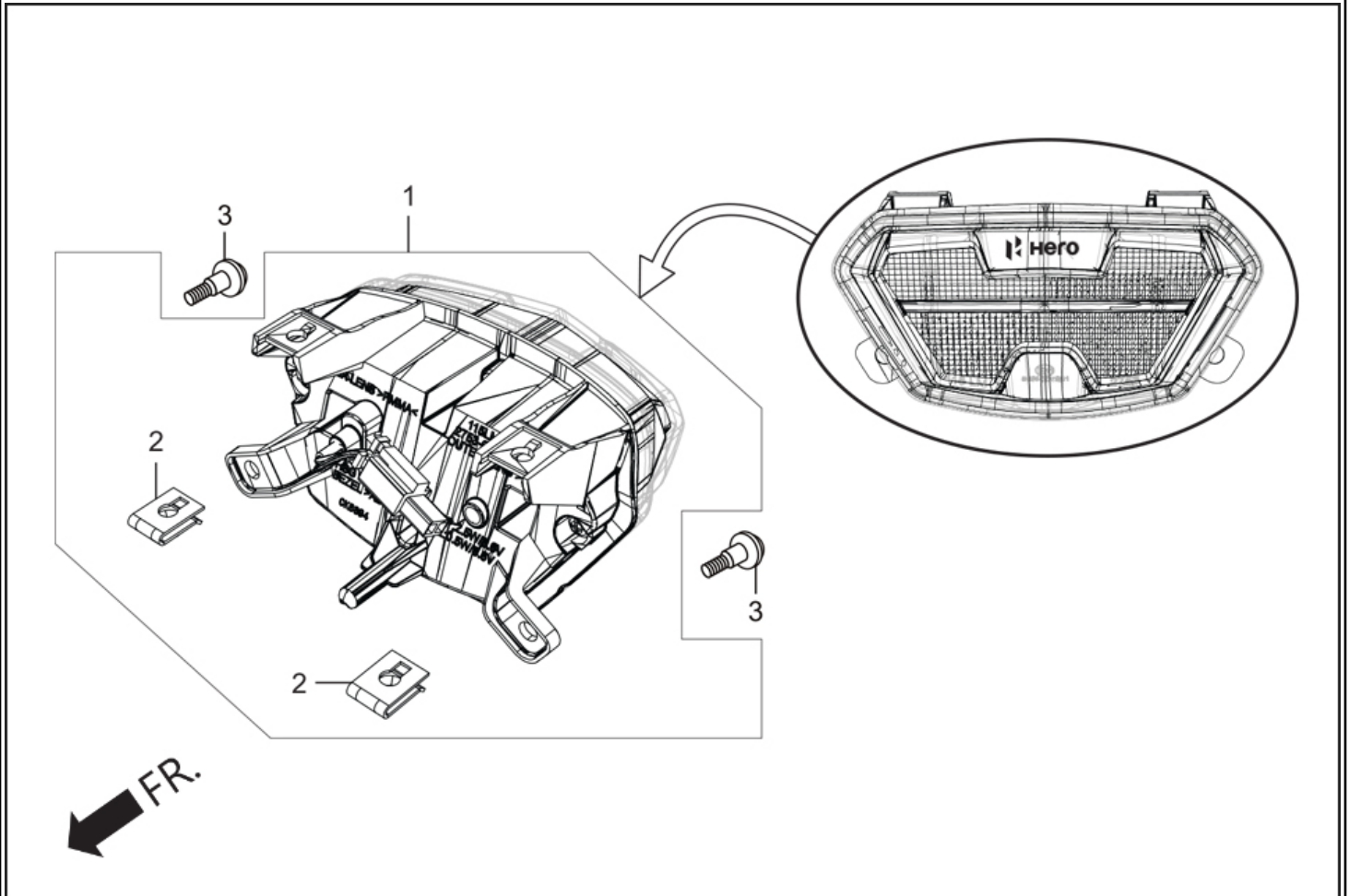


**Group Number:** F-21A **Model ::** Hunk 160R FI BSVI (Apr, 2020)

Ref No.	Part Number	Description	Req.
1	33600-ABZ-001	WINKER ASSY R RR	1
2	33650-ABZ-001	WINKER ASSY L RR	1
3	93901-AAR-001	ST. SCREW 3X10	2
4	94050-08000	NUT, FLANGE, 8MM	2



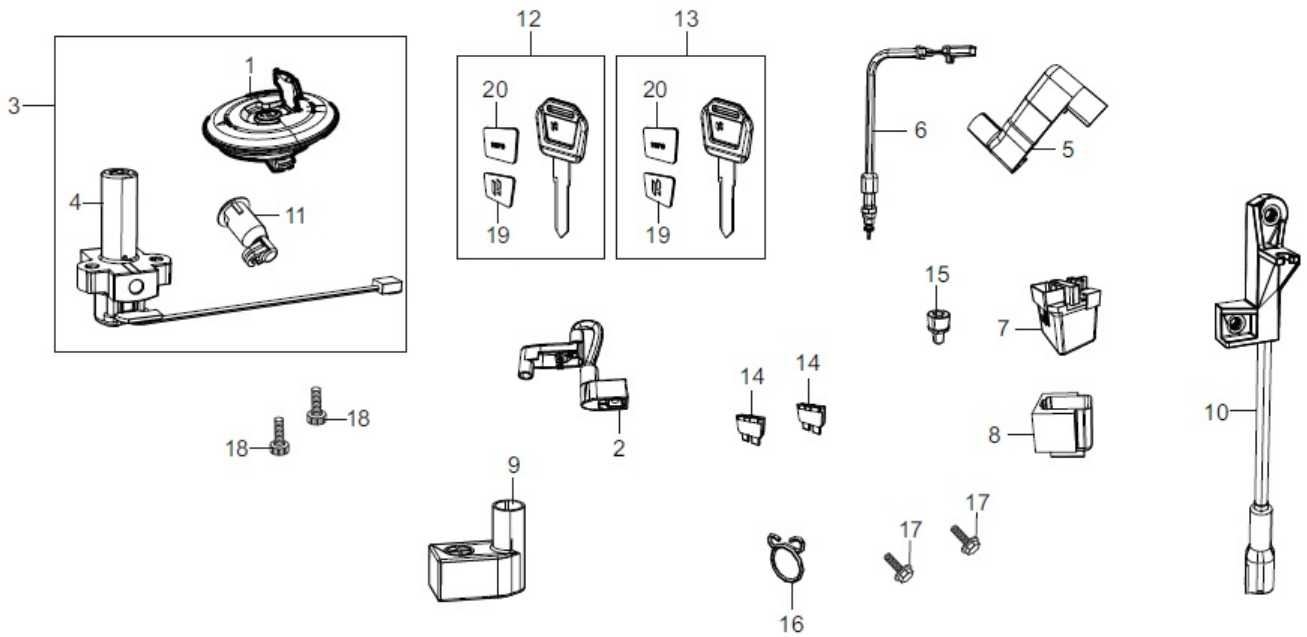
## F-22 : TAIL LIGHT



**Group Number:** F-22 Model :: Hunk 160R FI BSVI (Apr, 2020)

Ref No.	Part Number	Description	Req.
1	33700-ABZ-001	UNIT TAIL LIGHT	1
2	90311-AAF-401	SPEED NUT (M6)	2
3	90101-GE0-000	SCREW, HINGE PATCH	2

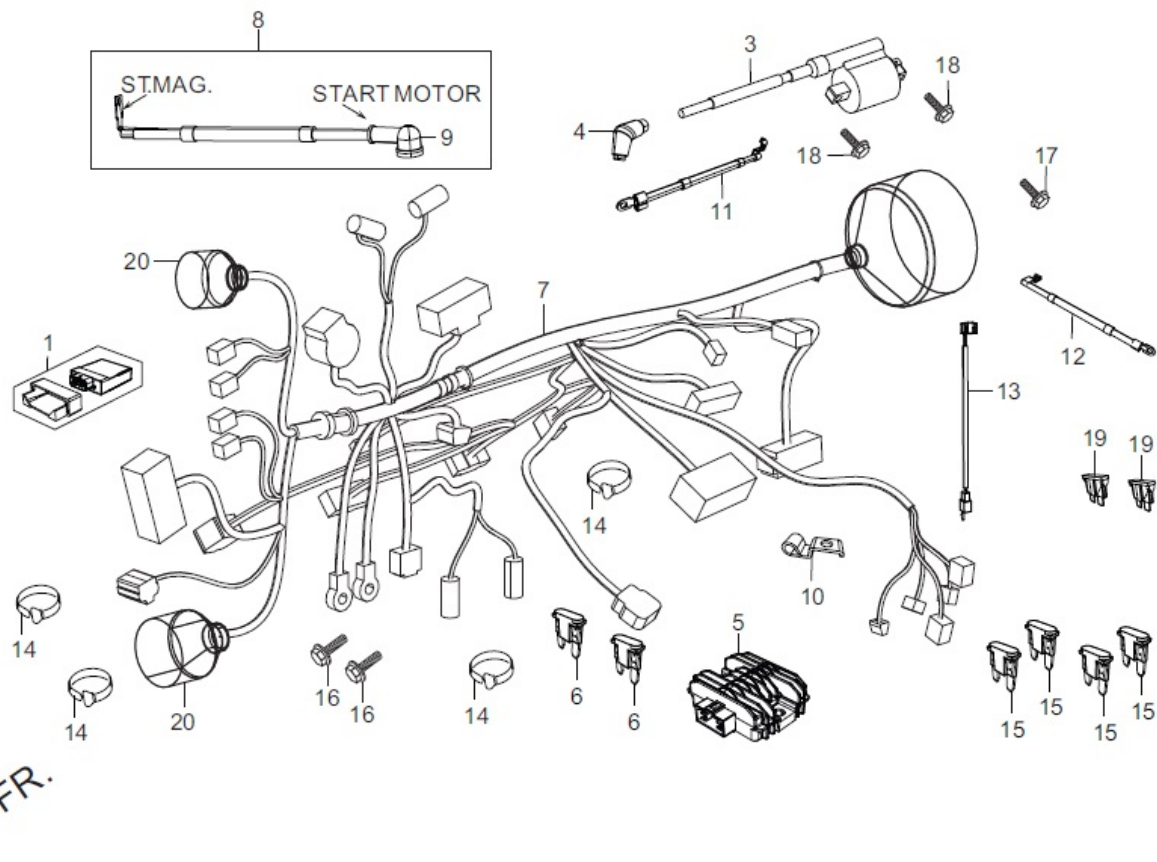
## F-23 : SWITCH ASSY ./RELAY / LOCK ASSY./ KEY BLANK



**Group Number:** F-23 Model :: Hunk 160R FI BSVI (Apr, 2020)

Ref No.	Part Number	Description	Req.
1	17620-AAF-401	CAP COMP FUEL FILLER BS6	1
2	32401-ABZ-000	CABLE ST MAG BATT	1
3	35010-ABZ-001	KEY SET	1
4	35100-AAK-201	SWITCH ASSY., COMB & LOCK	1
5	32406-KVN-970	COVER ST.MAG.TERMINAL A	1
6	35350-KVE-930A	SWITCH ASSY, REAR STOP	1
7	35850-AAM-H01	SW ASSY. START MAG	1
8	35856-KBG-007	RUBBER,SHOCK	1
9	32414-ABZ-000	COVER BAT TERMINAL	1
10	35140-ABZ-001	SENSOR ASSY SIDE STAND	1
11	77239-AAL-H00	KEY SEAT LOCK	1
12	35121-ABW-001	BLANK KEY NO. 01	1
13	35122-ABW-001	BLANK KEY NO. 02	1
14	98200-32000	BLADE, FUSE, 20A	2
15	90111-MR5-000	BOLT, SOCKET, 5X9	1
16	90601-KAF-003	CLIP, SW. COVER	1
17	95701-05016-00	BOLT FLANGE 5X16	2
18	96600-08025-00	SOCKET, BOLT, 8 X 25	2
19	35113-ABW-000	EMBLEM ICON	2
20	35114-ABW-000	EMBLEM, WORD MARK	2

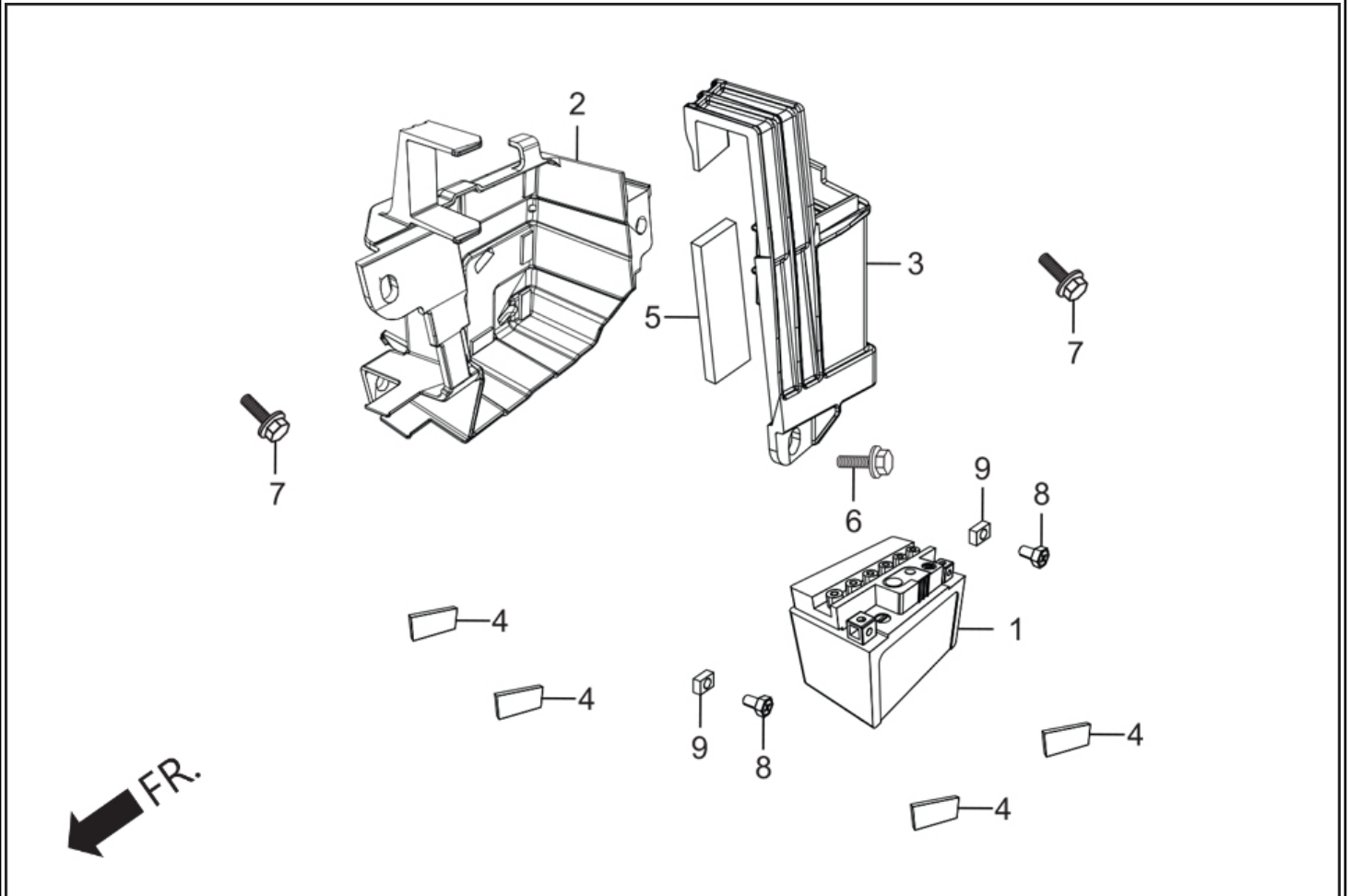
## F-24 : ELECTRICALS (WIRE HARNESS/START CABLES)



**Group Number:** F-24 Model :: Hunk 160R FI BSVI (Apr, 2020)

Ref No.	Part Number	Description	Req.
1	38800-ABZ-001	UNIT ASSY BCM	1
2	38871-ABZ-001	CUSHION BCM UNIT	1
3	30510-AAF-401	COIL COMP IGNITION.	1
4	30700-KSP-B01	CAP ASSY,NOISE SUPPRESSOR	1
5	31600-ABZ-001	REG RECT COMP	1
6	98215-HMC-000	MINI FUSE 15A	2
7	32100-ABZ-010	HARNESS WIRE (BCM)	1
8	32410-ABZ-000	CABLE START MOTOR	1
9	32411-253-000	COVER, STARTING MOTOR	1
10	32413-KRY-970	TERMINAL, BAT CABLE	1
11	32601-ABZ-000	CABLE BAT. EARTH	1
12	32602-ABZ-000	CABLE ENG EARTH	1
13	31810-ABZ-001	UNIT ASSY CAPACITOR	1
14	91540-AAN-410	CLIP, BAND HARN	4
15	98210-HMC-000	MINI FUSE 10A	4
16	95701-06018-00	BOLT FLANGE 6X18	2
17	96001-06016-00	BOLT, FLANGE SH. 6 X 16	1
18	96001-06020-00	BOLT, FLANGE, SH. 6 X 20	2
19	98200-32000	BLADE, FUSE, 20A	2
20	32108-344-820	COVER, CONNECTOR	2

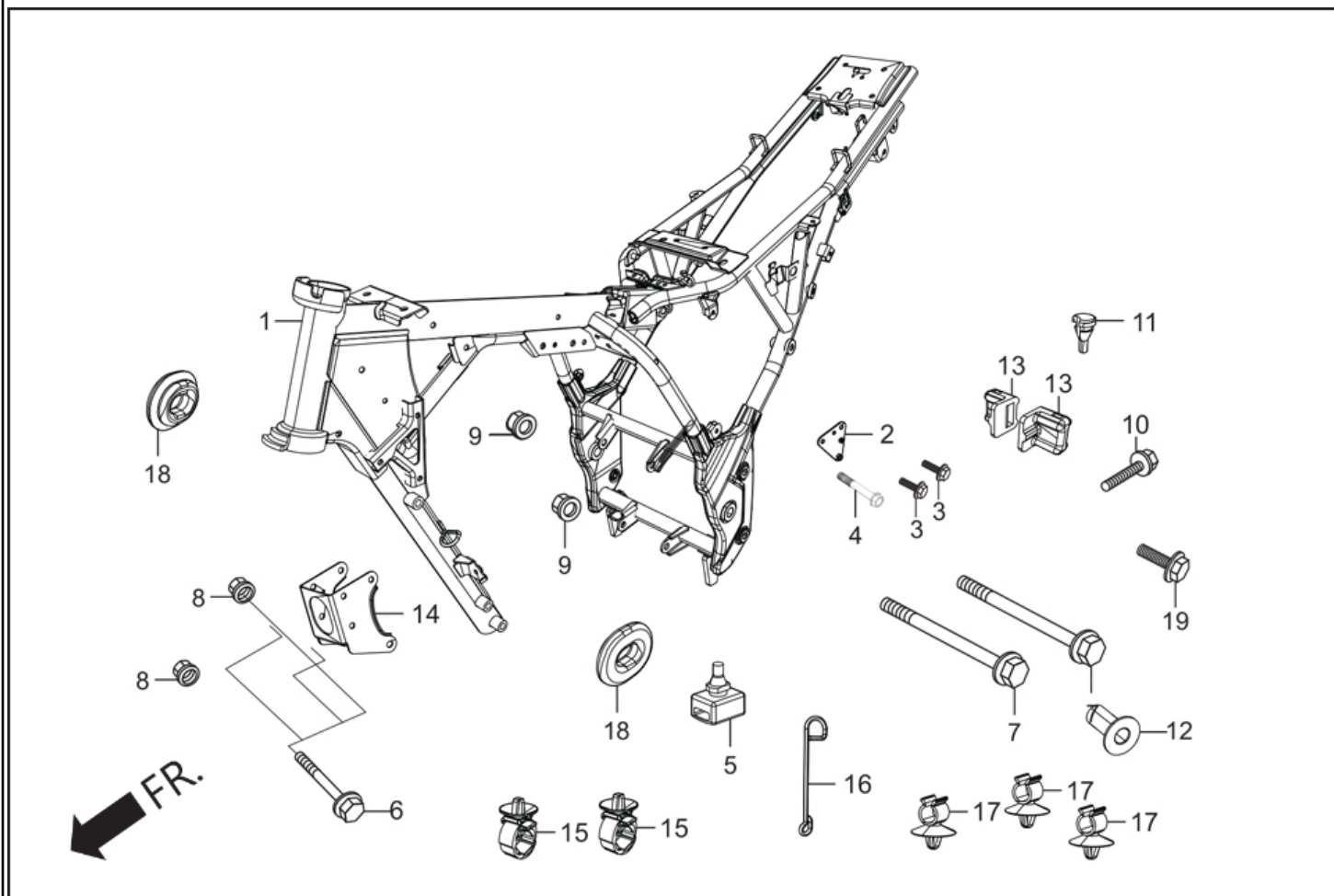
## F-24B : BATTERY ASSY.



Group Number: F-24B Model :: Hunk 160R FI BSVI (Apr, 2020)

Ref No.	Part Number	Description	Req.
1	31500-KRP-801	BATTERY ASSY	1
2	1723A-ABZ-000	BOX BATTERY ASSY	1
3	17214-ABZ-000	BAND BATTERY	1
4	83407-KTR-940	RUBBER, BATTERY	4
5	83403-ABZ-000	CUSHION BATTERY	1
6	90112-KRP-900	BOLT, FLANGE, 6X18	1
7	90111-187-000	BOLT, FLANGE. 6 MM	2
8	90122-KVT-941	BOLT BATTERY TERMINAL	2
9	90306-KVT-941	NUT BATTERY TERMINAL	2

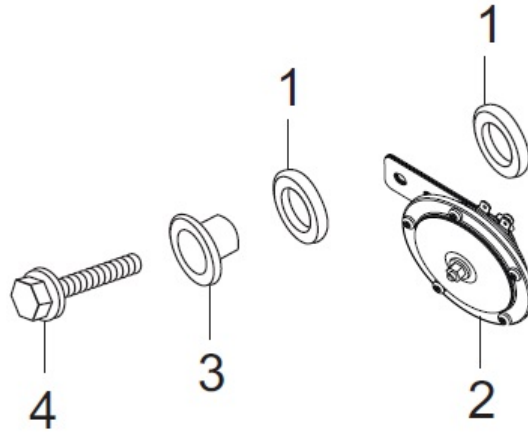
## F-25 : FRAME BODY



**Group Number:** F-25 Model :: Hunk 160R FI BSVI (Apr, 2020)

Ref No.	Part Number	Description	Req.
1	50100-ABZ-000	FRAME BODY COMP	1
2	50353-ABZ-000	BRKT ENGINE HANGER UP	1
3	95701-08014-00	BOLT FLANGE 8X14	2
4	95802-08055-0	BOLT FLANGE 8X55	1
5	50505-ABZ-000	RUBBER STAND STOPPER	1
6	95801-08085-00	BOLT, FLANGE, 8X85	3
7	90019-399-010	BOLT, FLANGE, 10 X 110	2
8	94050-08000	NUT, FLANGE, 8MM	4
9	94050-10000	NUT, FLANGE, 10MM	2
10	95801-08095-00	BOLT, FLANGE, 8 X 95	1
11	50137-AAR-000	PLUG CABLE RETENTION	1
12	18442-ABZ-000	COLLAR MUFF MOUNT	1
13	83502-KCC-900	GROMMET, SIDE COVER	2
14	50351-ABZ-000	PLATE FR ENGINE HANGER	1
15	50157-AAF-400	CLIP HARNESS	2
16	50191-ABZ-000	GUIDE CLUTCH CABLE	1
17	50193-ABZ-000	CLIP THROTTLE CABLE	3
18	83551-300-000	GROMMET, AIR CLEANER CASE	2
19	95701-06014-00	BOLT, FLANGE, 6 X 14	1

## F-25A : HORN ASSY.

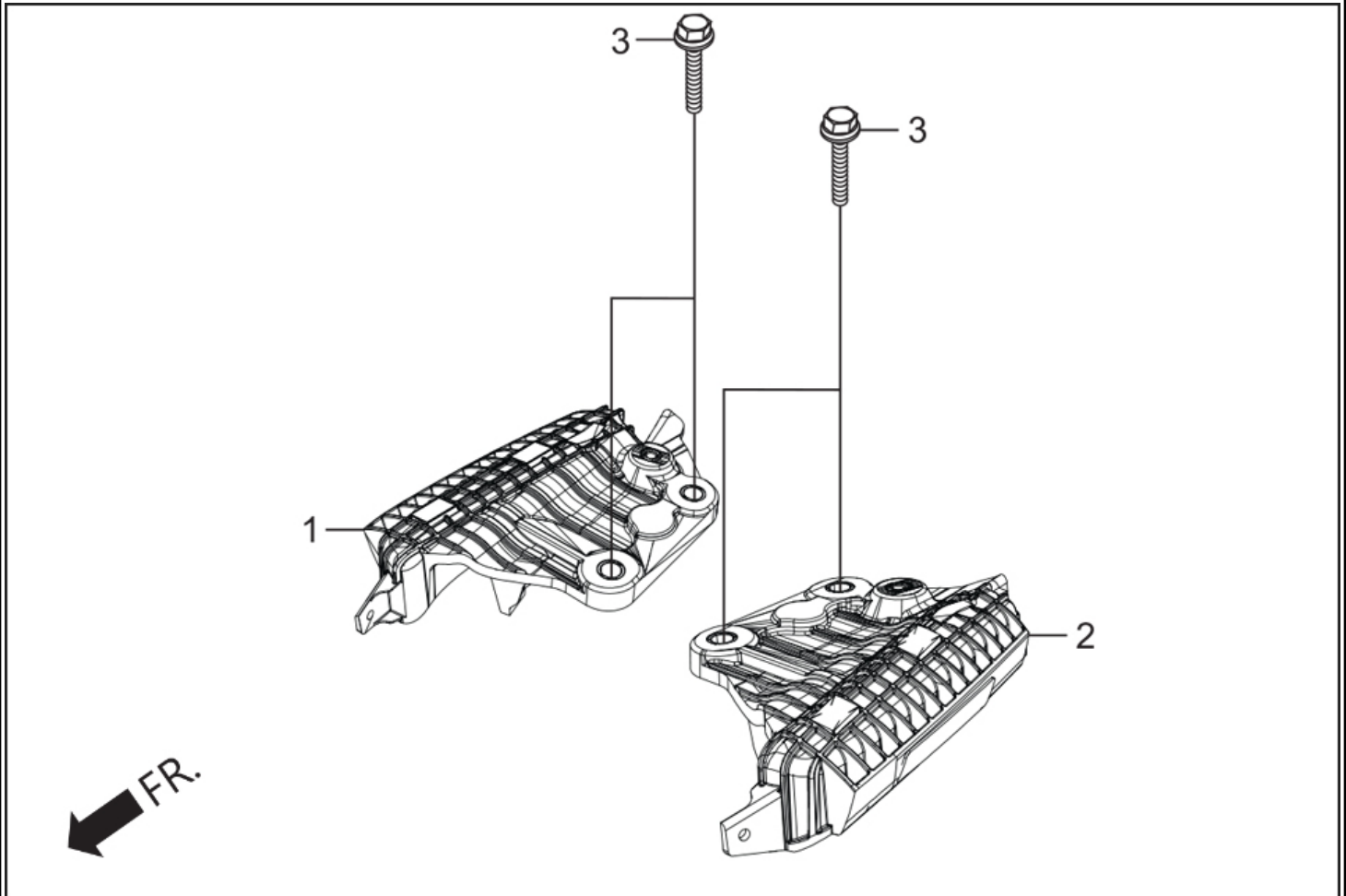


FR. ↙

**Group Number:** F-25A **Model ::** Hunk 160R FI BSVI (Apr, 2020)

Ref No.	Part Number	Description	Req.
1	33714-KL3-620	RUBBER, TAIL LIGHT	2
2	38110-KVE-861	HORN COMP	1
3	38117-KFE-701	COLLAR, HORN SET	1
4	95701-06020-07	BOLT, FLANGE, 6 X 20	1

## F-25B : GRIP REAR

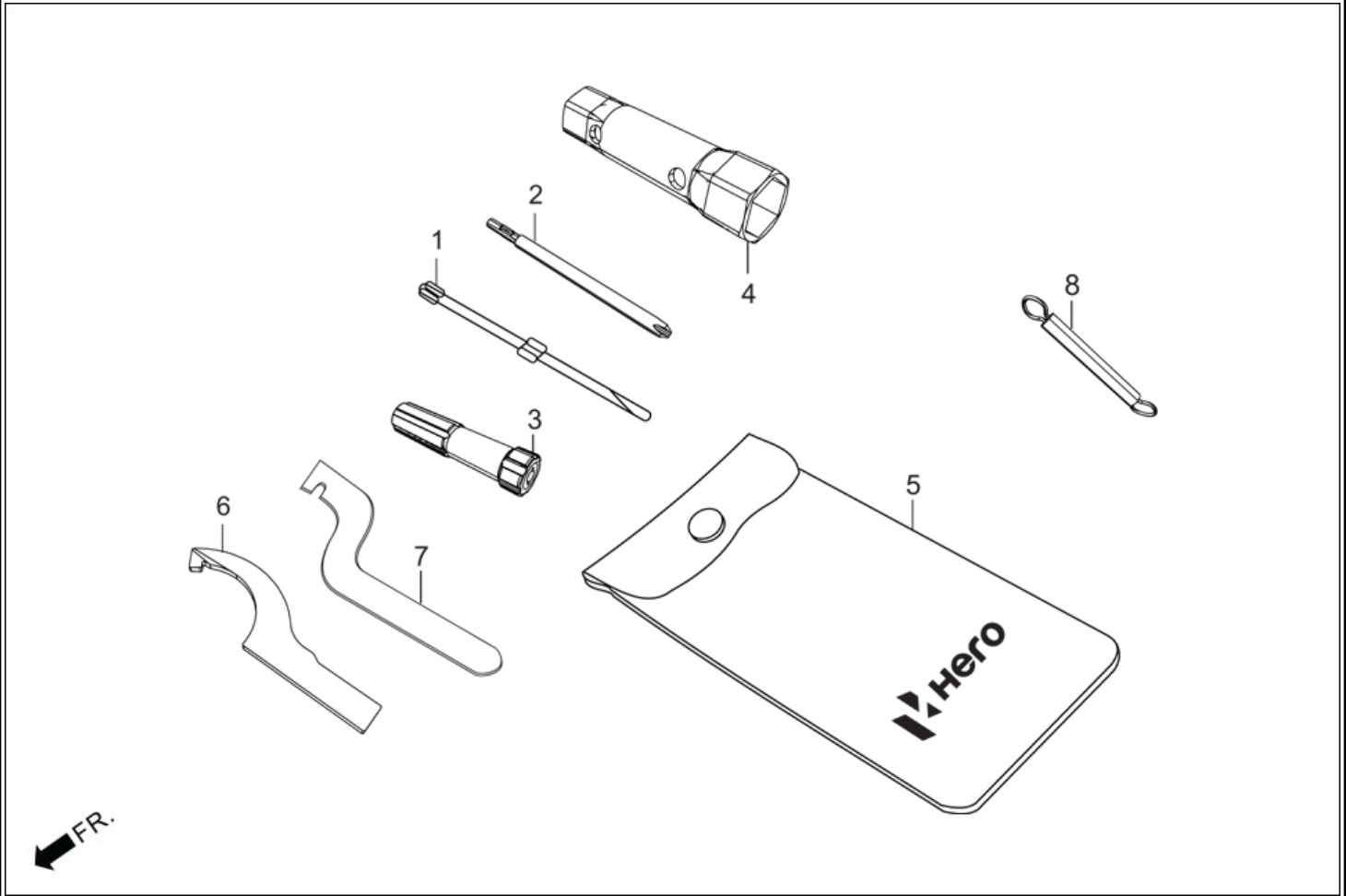


**Group Number:** F-25B Model :: Hunk 160R FI BSVI (Apr, 2020)

Ref No.	Part Number	Description	Req.
1	5040A-ABZ-000	GRIP R REAR SUB ASSY	1
2	5045A-ABZ-000	GRIP L REAR SUB ASSY	1
3	95701-08025-07	BOLT FLANGE 8X25	4



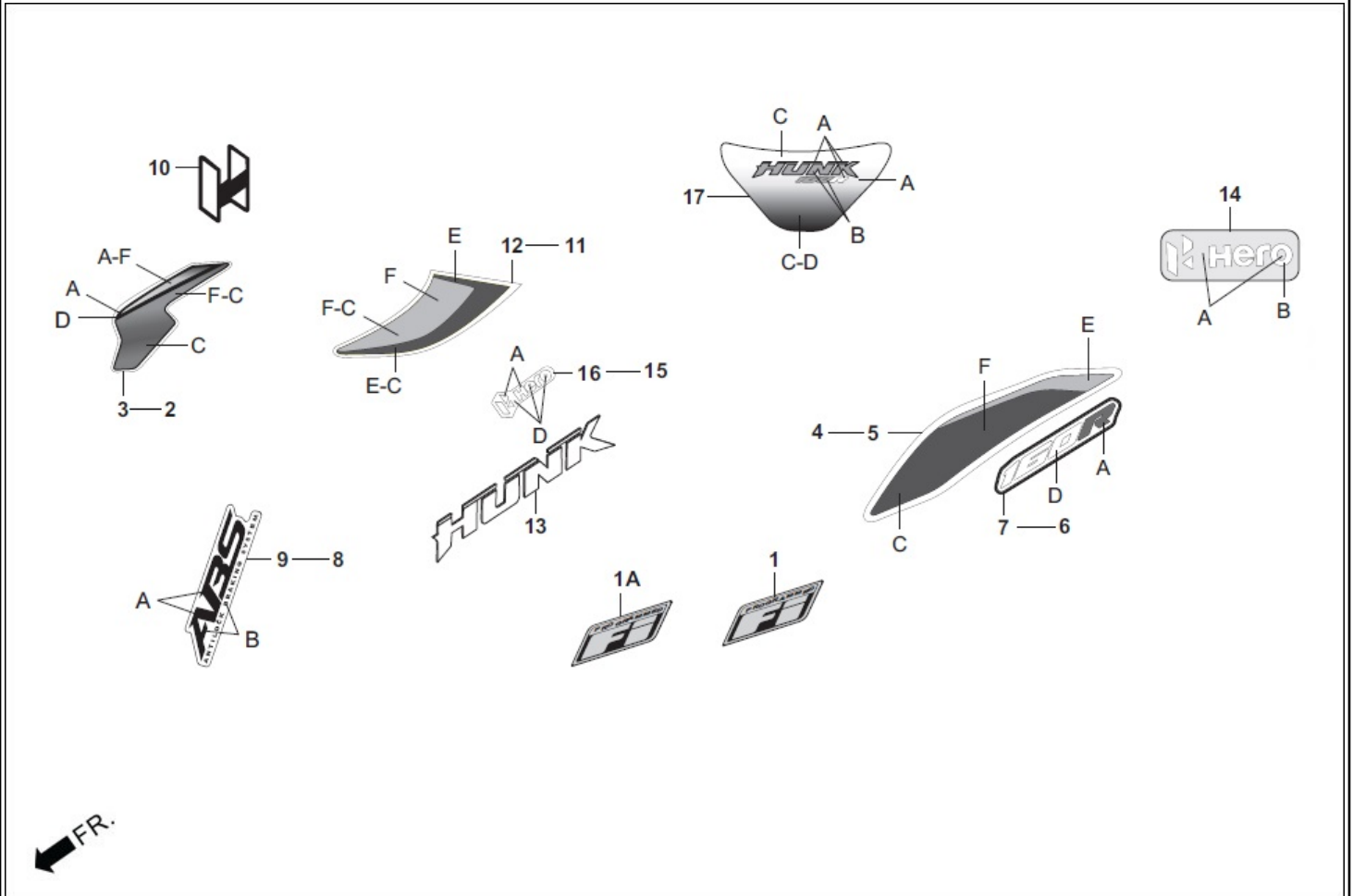
## F-26 : TOOLS



**Group Number:** F-26 Model :: Hunk 160R FI BSVI (Apr, 2020)

Ref No.	Part Number	Description	Req.
1	89102-538-000	SCREW, DRIVER PLUS/MINUS	1
2	89102-AAC-000	NO.3 CROSS POINT SCREW DRIVER	1
3	89103-538-000	GRIP, SCREW DRIVER	1
4	89215-AAC-000	BOX WRENCH P16X14	1
5	89216-AAD-H00	TOOL BAG	1
6	99006-AAB-A00	HANDLE PIN SPANNER	1
7	99007-AAB-A00	PIN SPANNER	1
8	80103-AAB-A00	WIRE HELMET SET	1

## F-27 : STRIPE/ MARKS



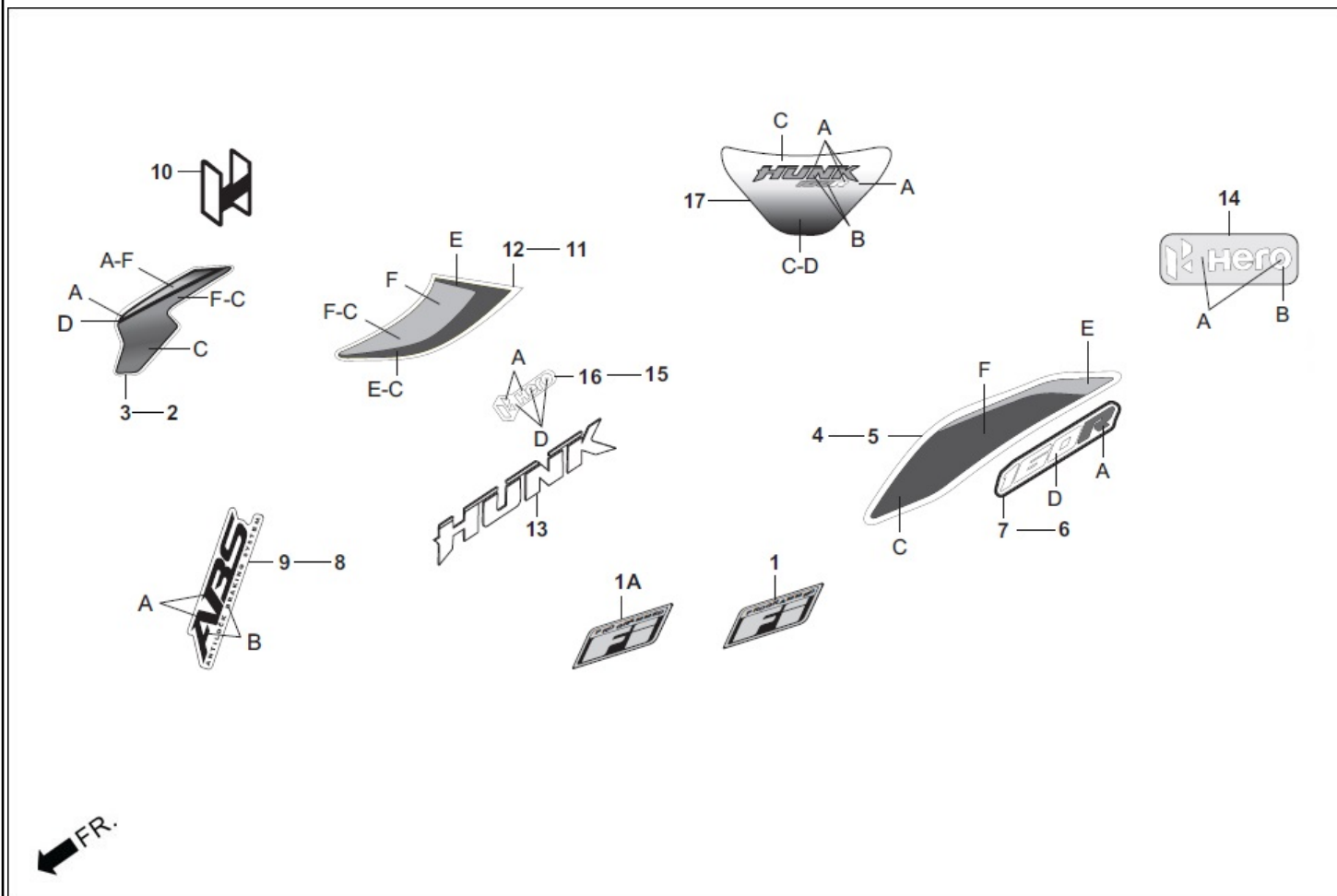
**Group Number: F-27 Model :: Hunk 160R FI BSVI (Apr, 2020)**

Ref No.	Part Number	Description	Req.
1	85404-AAC-800	PROGRAMMED FI MARK LEFT	1
1A	85401-AAW-A00	PROGRAMMED FI MARK	1
2	86673-ABZ-000R	STRIPE R FR COWL (TYPE-1)	1
	86673-ABZ-000S	STRIPE R FR COWL (TYPE-2)	1
	86673-ABZ-000U	STRIPE R FR COWL (TYPE-4)	1

**SPECIFIED COLOUR CHART FOR, STRIPE R FR COWL**

SPECIFIED COLOUR TYPE	A	C	D	F	MAIN BODY COLOUR
1	SPORTS RED	VIBRANT BLUE	TRANSPARENT	NH-1 BLACK	VIBRANT BLUE METALLIC (PB-374M)
2	SPORTS RED	PEARL SILVER WHITE	TRANSPARENT	HEAVY GREY DARK	PEARL SILVER WHITE EX SPARKLE ME. (WH-004P)
3	PEARL SILVER WHITE	SPORTS RED	TRANSPARENT	HEAVY GREY DARK	SPORTS RED (R-321)

## F-27 : STRIPE/ MARKS



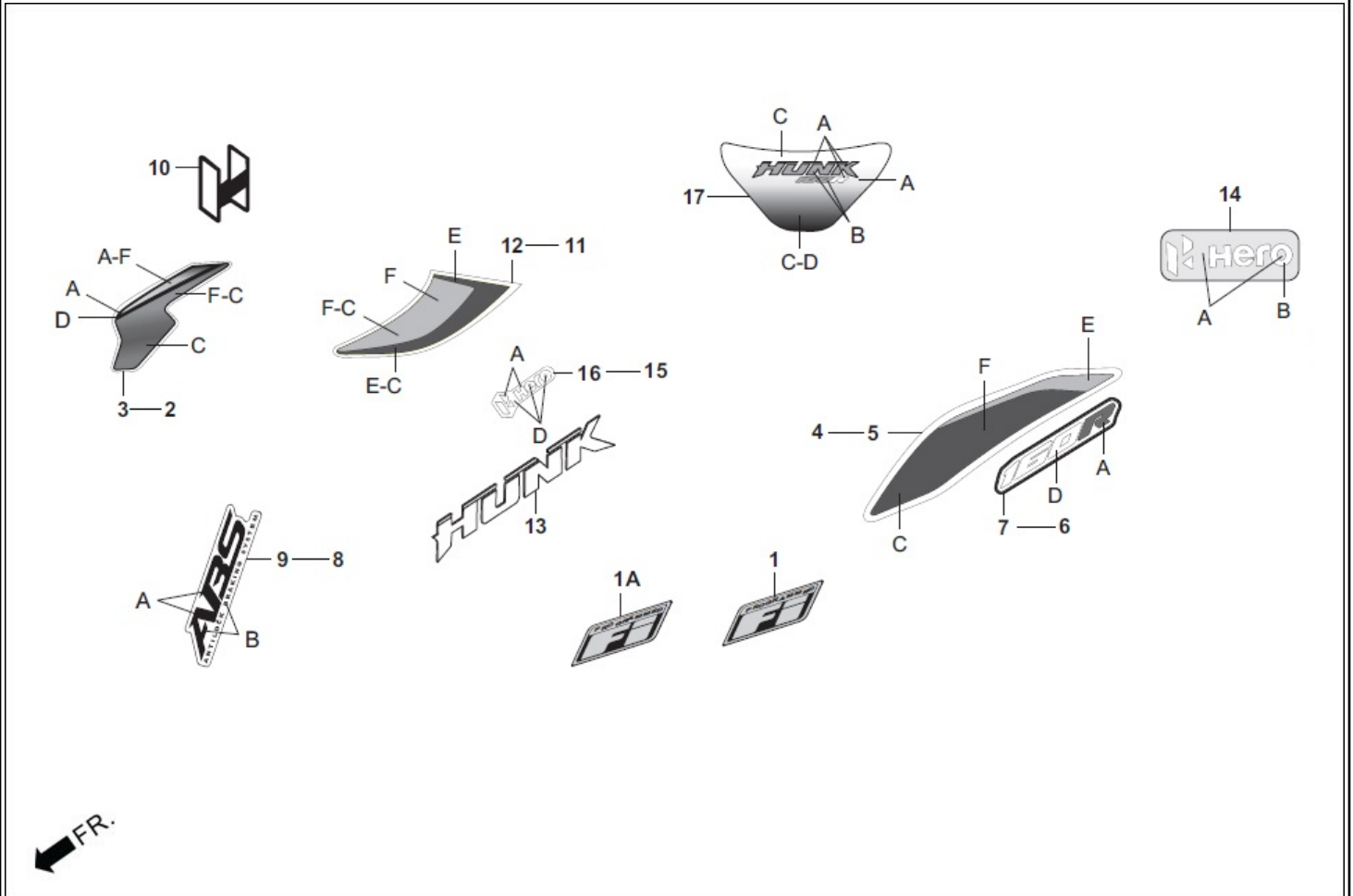
**Group Number:** F-27 Model :: Hunk 160R FI BSVI (Apr, 2020)

Ref No.	Part Number	Description	Req.
3	86674-ABZ-000R	STRIPE L FR COWL (TYPE-1)	1
	86674-ABZ-000S	STRIPE L FR COWL (TYPE-2)	1
	86674-ABZ-000U	STRIPE L FR COWL (TYPE-4)	1

**SPECIFIED COLOUR CHART FOR, STRIPE L FR COWL**

SPECIFIED COLOUR TYPE	A	C	D	F	MAIN BODY COLOUR
1	SPORTS RED	VIBRANT BLUE	TRANSPARENT	NH-1 BLACK	VIBRANT BLUE METALLIC (PB-374M)
2	SPORTS RED	PEARL SILVER WHITE	TRANSPARENT	HEAVY GREY DARK	PEARL SILVER WHITE EX SPARKLE ME. (WH-004P)
3	PEARL SILVER WHITE	SPORTS RED	TRANSPARENT	HEAVY GREY DARK	SPORTS RED (R-321)

## F-27 : STRIPE/ MARKS



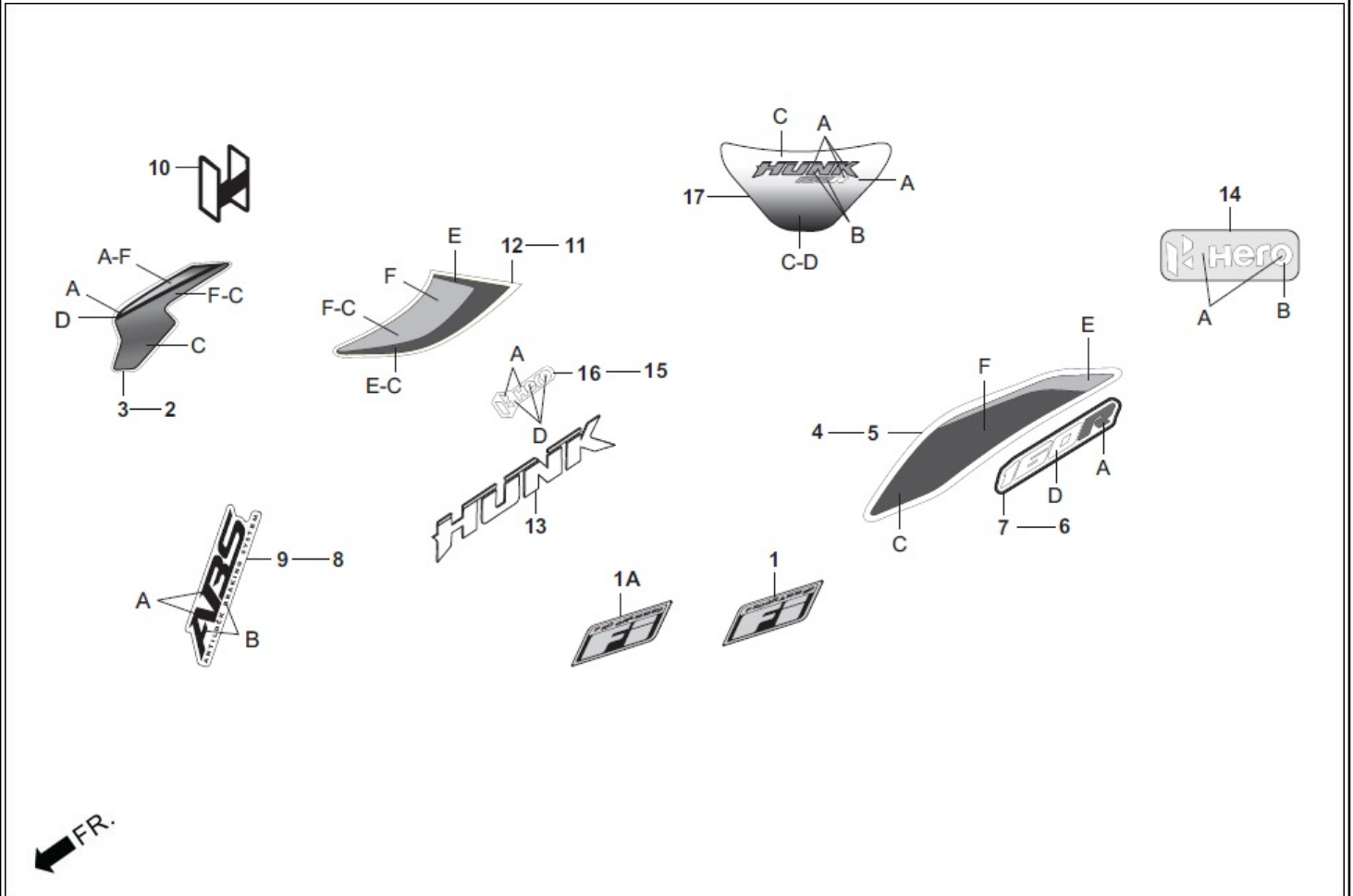
**Group Number:** F-27 Model :: Hunk 160R FI BSVI (Apr, 2020)

Ref No.	Part Number	Description	Req.
4	86771-ABZ-000R	STRIPE A, COVER R SIDE (TYPE-1)	1
	86771-ABZ-000S	STRIPE A, COVER R SIDE (TYPE-2)	1
	86771-ABZ-000U	STRIPE A, COVER R SIDE (TYPE-4)	1

**SPECIFIED COLOUR CHART FOR, STRIPE A, COVER R SIDE**

SPECIFIED COLOUR TYPE	A	C	D	E	F	MAIN BODY COLOUR
1	SPORTS RED	VIBRANT BLUE	FORCE SILVER	HEAVY GREY DARK	NH-1 BLACK	VIBRANT BLUE METALLIC (PB-374M)
2	SPORTS RED	PEARL SILVER WHITE	PEARL SILVER WHITE	NH-1 BLACK	HEAVY GREY DARK	PEARL SILVER WHITE EX SPARKLE ME. (WH-004P)
3	PEARL SILVER WHITE	SPORTS RED	FORCE SILVER	NH-1 BLACK	HEAVY GREY DARK	SPORTS RED (R-321)

## F-27 : STRIPE/ MARKS



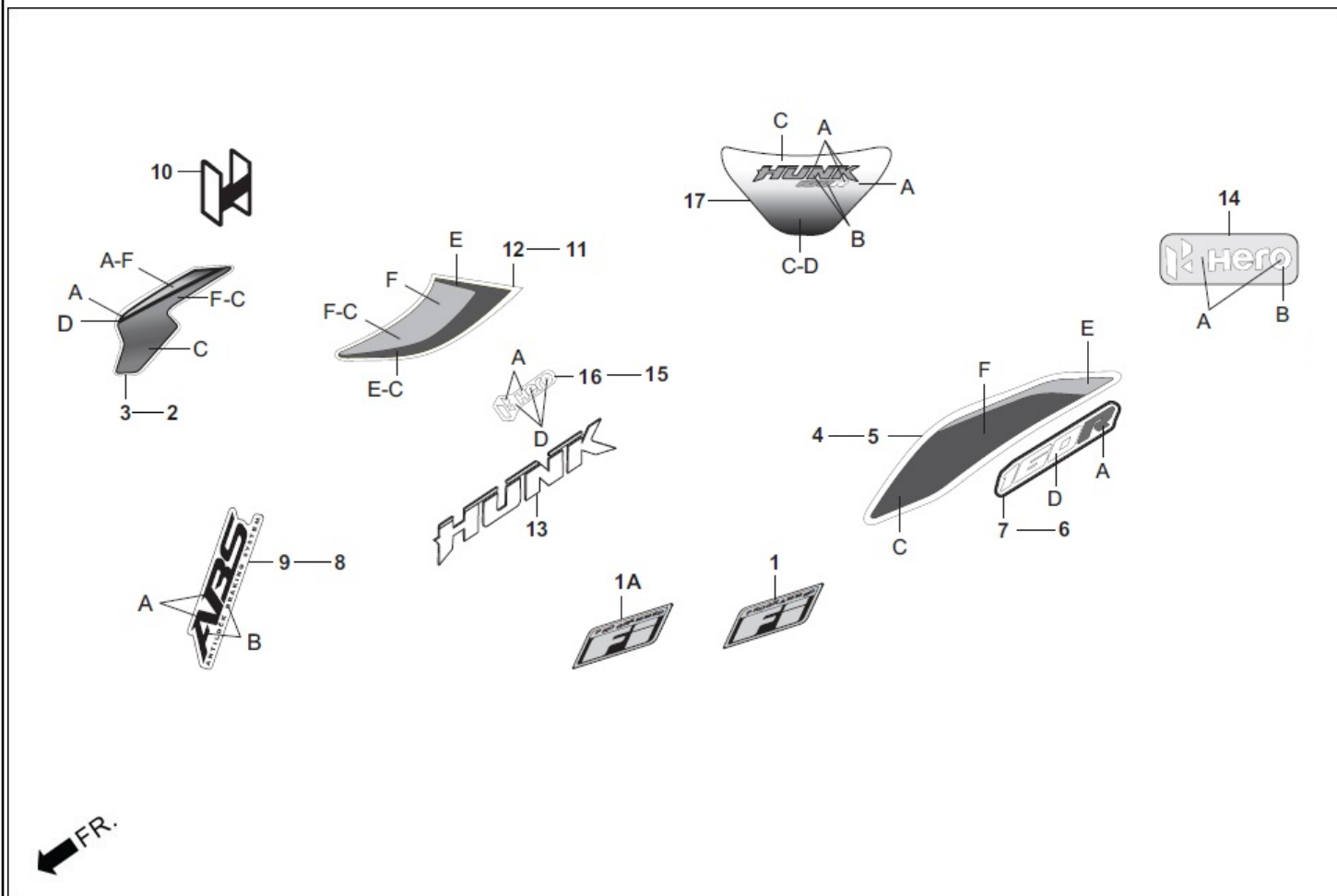
**Group Number:** F-27 Model :: Hunk 160R FI BSVI (Apr, 2020)

Ref No.	Part Number	Description	Req.
5	86772-ABZ-000R	STRIPE A, COVER L SIDE (TYPE-1)	1
	86772-ABZ-000S	STRIPE A, COVER L SIDE (TYPE-2)	1
	86772-ABZ-000U	STRIPE A, COVER L SIDE (TYPE-4)	1

**SPECIFIED COLOUR CHART FOR, STRIPE A, COVER L SIDE**

SPECIFIED COLOUR TYPE	A	C	D	E	F	MAIN BODY COLOUR
1	SPORTS RED	VIBRANT BLUE	FORCE SILVER	HEAVY GREY DARK	NH-1 BLACK	VIBRANT BLUE METALLIC (PB-374M)
2	SPORTS RED	PEARL SILVER WHITE	PEARL SILVER WHITE	NH-1 BLACK	HEAVY GREY DARK	PEARL SILVER WHITE EX SPARKLE ME. (WH-004P)
3	PEARL SILVER WHITE	SPORTS RED	FORCE SILVER	NH-1 BLACK	HEAVY GREY DARK	SPORTS RED (R-321)

## F-27 : STRIPE/ MARKS



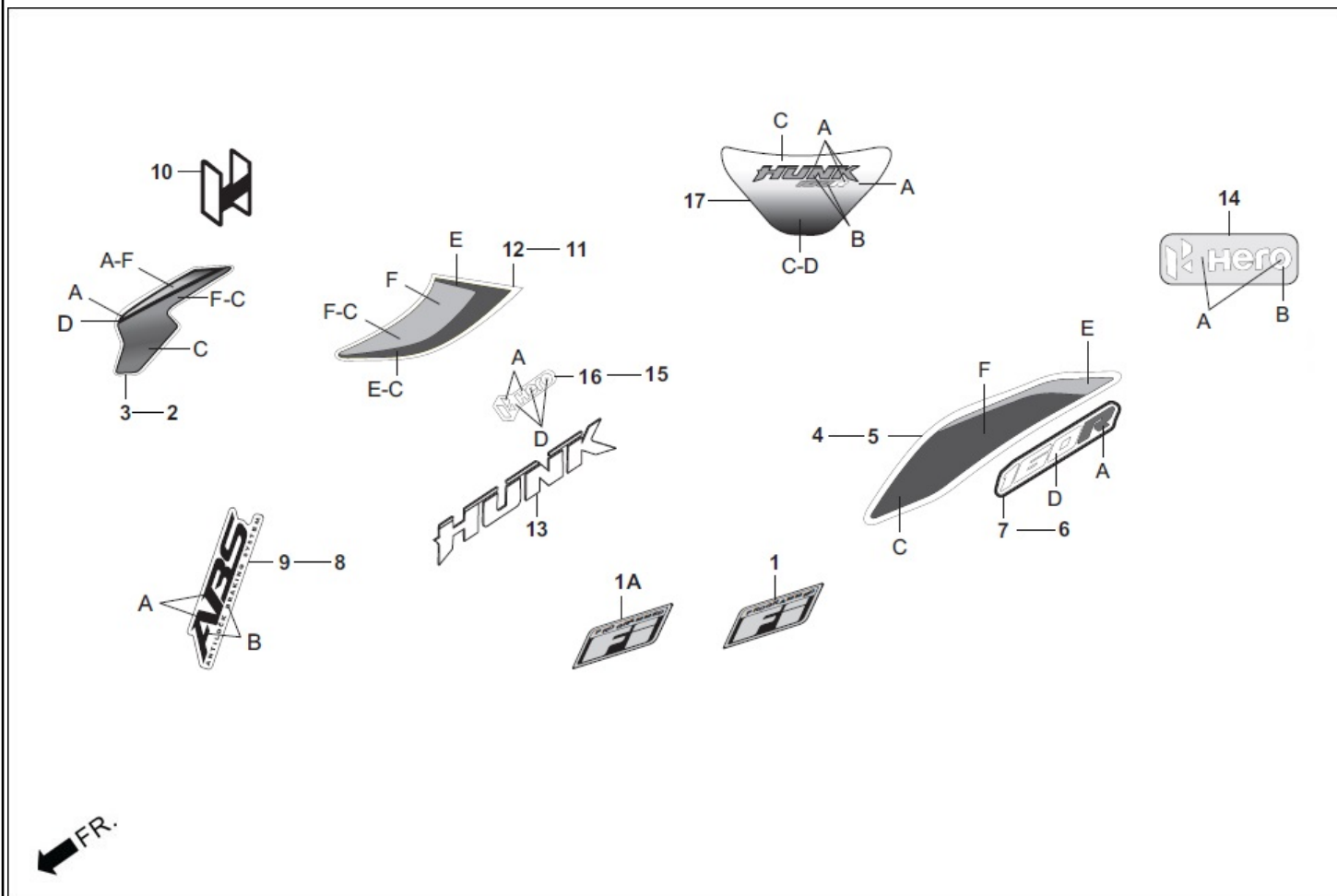
**Group Number:** F-27 Model :: Hunk 160R FI BSVI (Apr, 2020)

Ref No.	Part Number	Description	Req.
6	86773-ABZ-000R	STRIPE B, COVER R SIDE (TYPE-1)	1
	86773-ABZ-000S	STRIPE B, COVER R SIDE (TYPE-2)	1
	86773-ABZ-000U	STRIPE B, COVER R SIDE (TYPE-4)	1

**SPECIFIED COLOUR CHART FOR, STRIPE B, COVER R SIDE**

SPECIFIED COLOUR TYPE	A	C	D	E	F	MAIN BODY COLOUR
1	SPORTS RED	VIBRANT BLUE	FORCE SILVER	HEAVY GREY DARK	NH-1 BLACK	VIBRANT BLUE METALLIC (PB-374M)
2	SPORTS RED	PEARL SILVER WHITE	PEARL SILVER WHITE	NH-1 BLACK	HEAVY GREY DARK	PEARL SILVER WHITE EX SPARKLE ME. (WH-004P)
3	PEARL SILVER WHITE	SPORTS RED	FORCE SILVER	NH-1 BLACK	HEAVY GREY DARK	SPORTS RED (R-321)

## F-27 : STRIPE/ MARKS



**Group Number:** F-27 Model :: Hunk 160R FI BSVI (Apr, 2020)

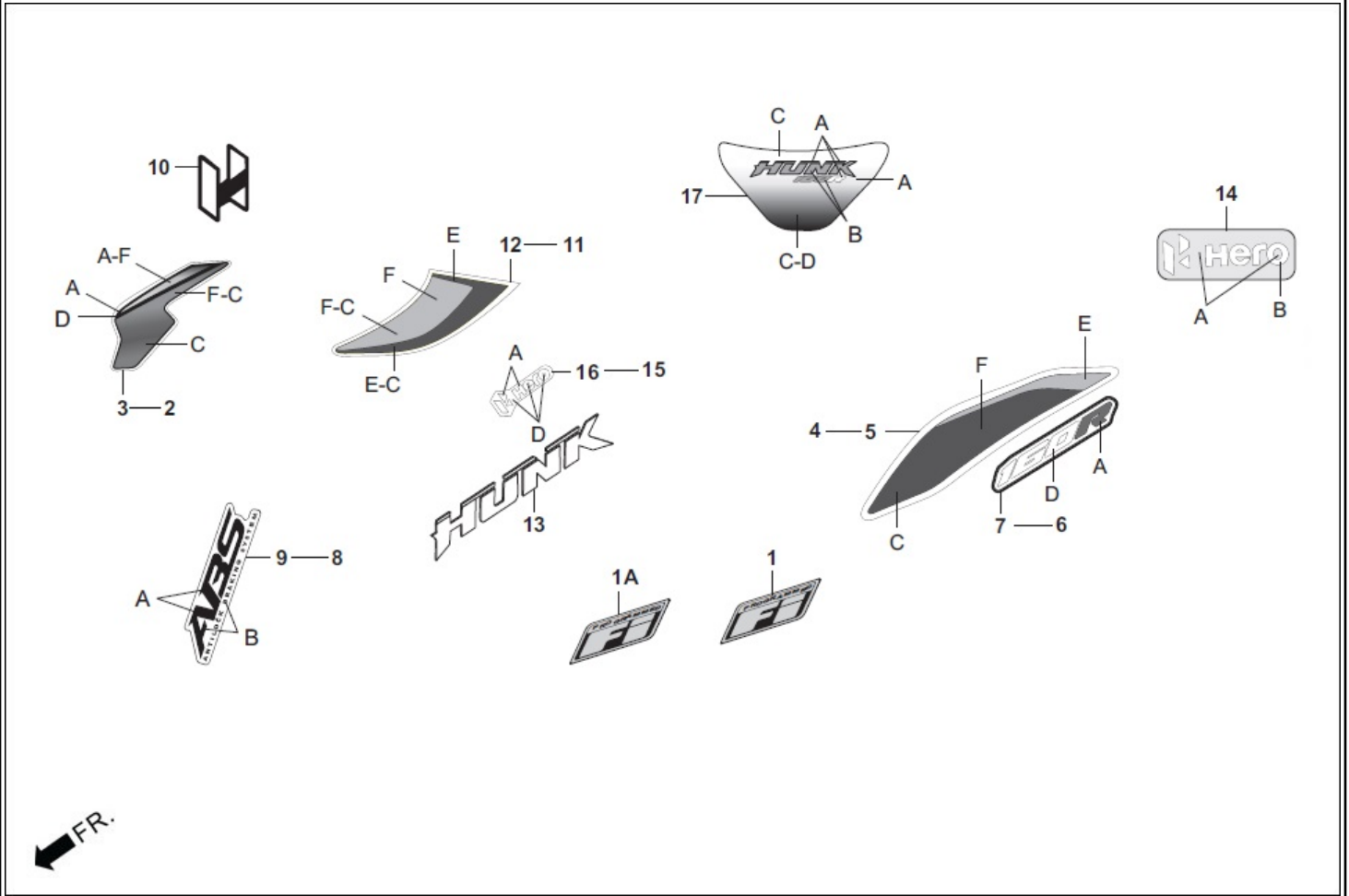
Ref No.	Part Number	Description	Req.
7	86774-ABZ-000R	STRIPE B, COVER L SIDE (TYPE-1)	1
	86774-ABZ-000S	STRIPE B, COVER L SIDE (TYPE-2)	1
	86774-ABZ-000U	STRIPE B, COVER L SIDE (TYPE-4)	1

**SPECIFIED COLOUR CHART FOR, STRIPE B, COVER L SIDE**

SPECIFIED COLOUR TYPE	A	C	D	E	F	MAIN BODY COLOUR
1	SPORTS RED	VIBRANT BLUE	FORCE SILVER	HEAVY GREY DARK	NH-1 BLACK	VIBRANT BLUE METALLIC (PB-374M)
2	SPORTS RED	PEARL SILVER WHITE	PEARL SILVER WHITE	NH-1 BLACK	HEAVY GREY DARK	PEARL SILVER WHITE EX SPARKLE ME. (WH-004P)
3	PEARL SILVER WHITE	SPORTS RED	FORCE SILVER	NH-1 BLACK	HEAVY GREY DARK	SPORTS RED (R-321)



## F-27 : STRIPE/ MARKS



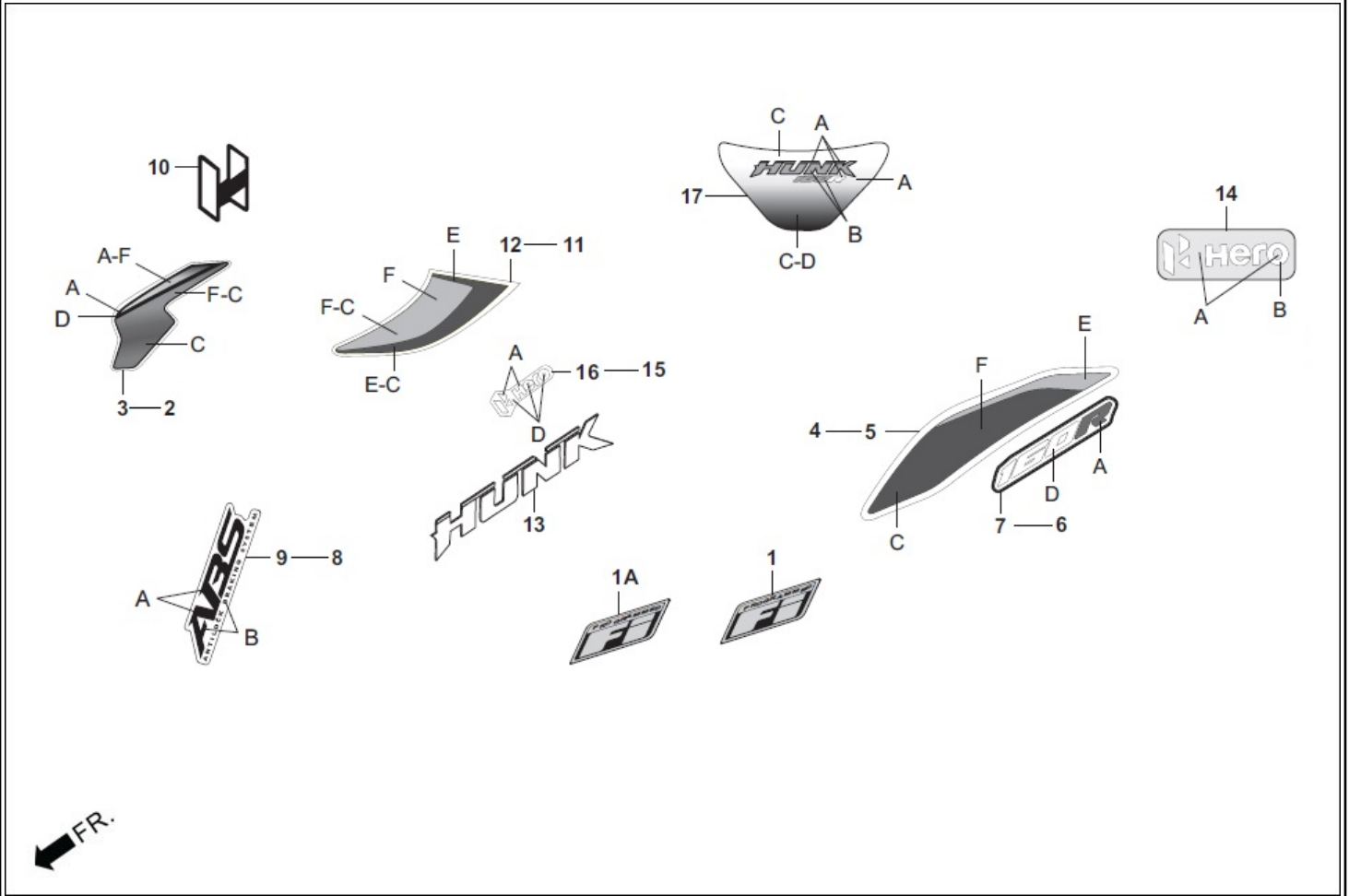
**Group Number:** F-27 Model :: Hunk 160R FI BSVI (Apr, 2020)

Ref No.	Part Number	Description	Req.
8	86780-ABZ-000R	MARK DISC FORK ASSY R FR (TYPE-1)	1

### SPECIFIED COLOUR CHART FOR, MARK DISC FORK ASSY R FR

SPECIFIED COLOUR TYPE	A	B	MAIN BODY COLOUR
1	FORCE SILVER	TRANSPARENT	VIBRANT BLUE METALLIC (PB-374M)
			PEARL SILVER WHITE EX SPARKLE ME. (WH-004P)
			SPORTS RED (R-321)

## F-27 : STRIPE/ MARKS



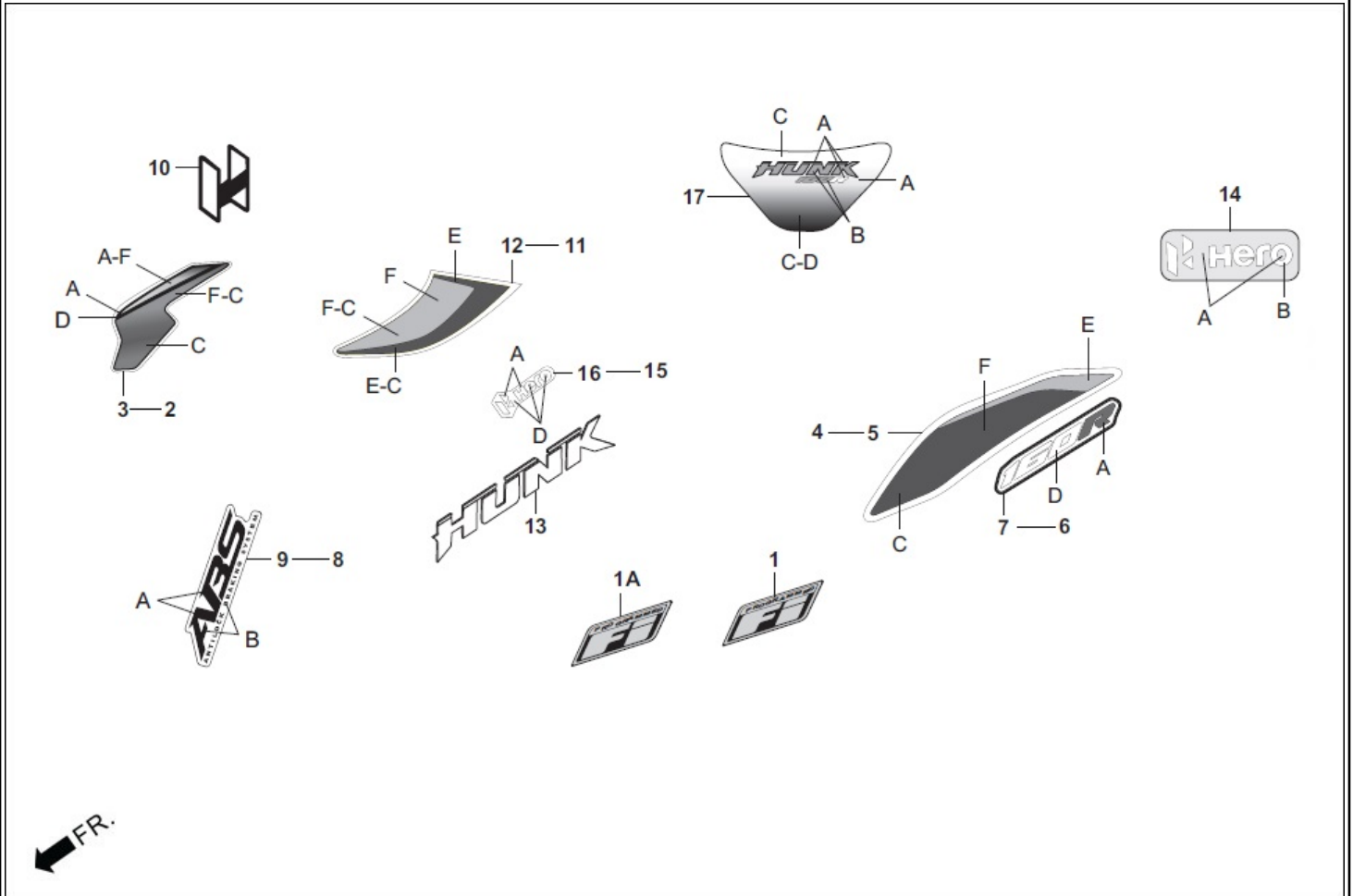
**Group Number:** F-27 Model :: Hunk 160R FI BSVI (Apr, 2020)

Ref No.	Part Number	Description	Req.
9	86880-ABZ-000R	MARK DISC FORK ASSY L FR (TYPE-1)	1

### SPECIFIED COLOUR CHART FOR, MARK DISC FORK ASSY L FR

SPECIFIED COLOUR TYPE	A	B	MAIN BODY COLOUR
1	FORCE SILVER	TRANSPARENT	VIBRANT BLUE METALLIC (PB-374M)
			PEARL SILVER WHITE EX SPARKLE ME. (WH-004P)
			SPORTS RED (R-321)

## F-27 : STRIPE/ MARKS



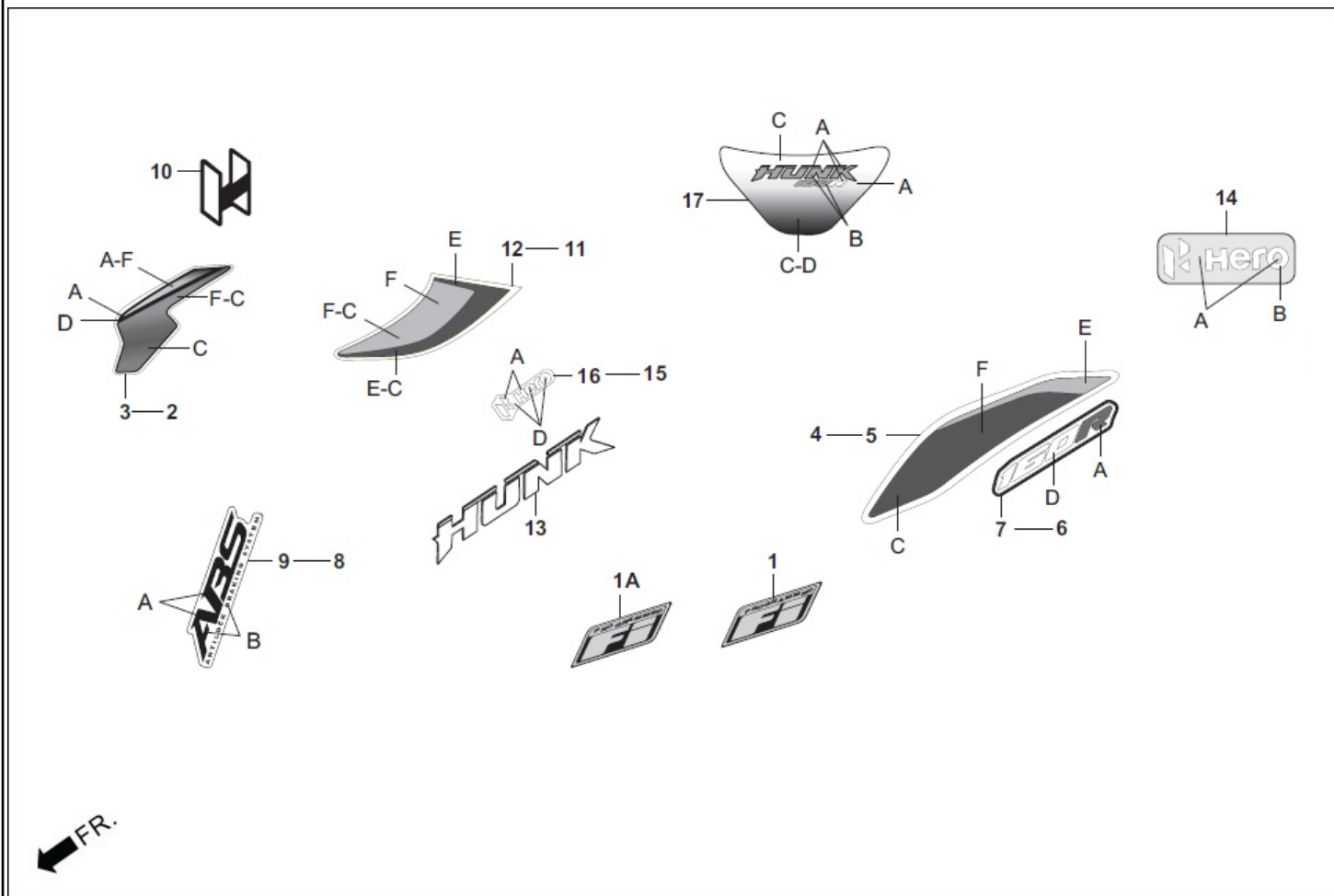
**Group Number:** F-27 Model :: Hunk 160R FI BSVI (Apr, 2020)

Ref No.	Part Number	Description	Req.
10	86840-AAN-B00	EMBLEM BEZEL,FR COWL	1
11	86881-ABZ-000R	STRIPE A, TANK COVER R SIDE (TYPE-1)	1
	86881-ABZ-000S	STRIPE A, TANK COVER R SIDE (TYPE-2)	1
	86881-ABZ-000U	STRIPE A, TANK COVER R SIDE (TYPE-4)	1

**SPECIFIED COLOUR CHART FOR, STRIPE A, TANK COVER R SIDE**

SPECIFIED COLOUR TYPE	A	B	C	D	E	F	MAIN BODY COLOUR
1	SPORTS RED	FORCE SILVER	VIBRANT BLUE	TRANSPARENT	HEAVY GREY DARK	NH-1 BLACK	VIBRANT BLUE METALLIC (PB-374M)
2	SPORTS RED	HEAVY GREY DARK	PEARL SILVER WHITE	TRANSPARENT	NH-1 BLACK	HEAVY GREY DARK	PEARL SILVER WHITE EX SPARKLE ME. (WH-004P)
3	PEARL SILVER WHITE	FORCE SILVER	SPORTS RED	TRANSPARENT	NH-1 BLACK	HEAVY GREY DARK	SPORTS RED (R-321)

## F-27 : STRIPE/ MARKS



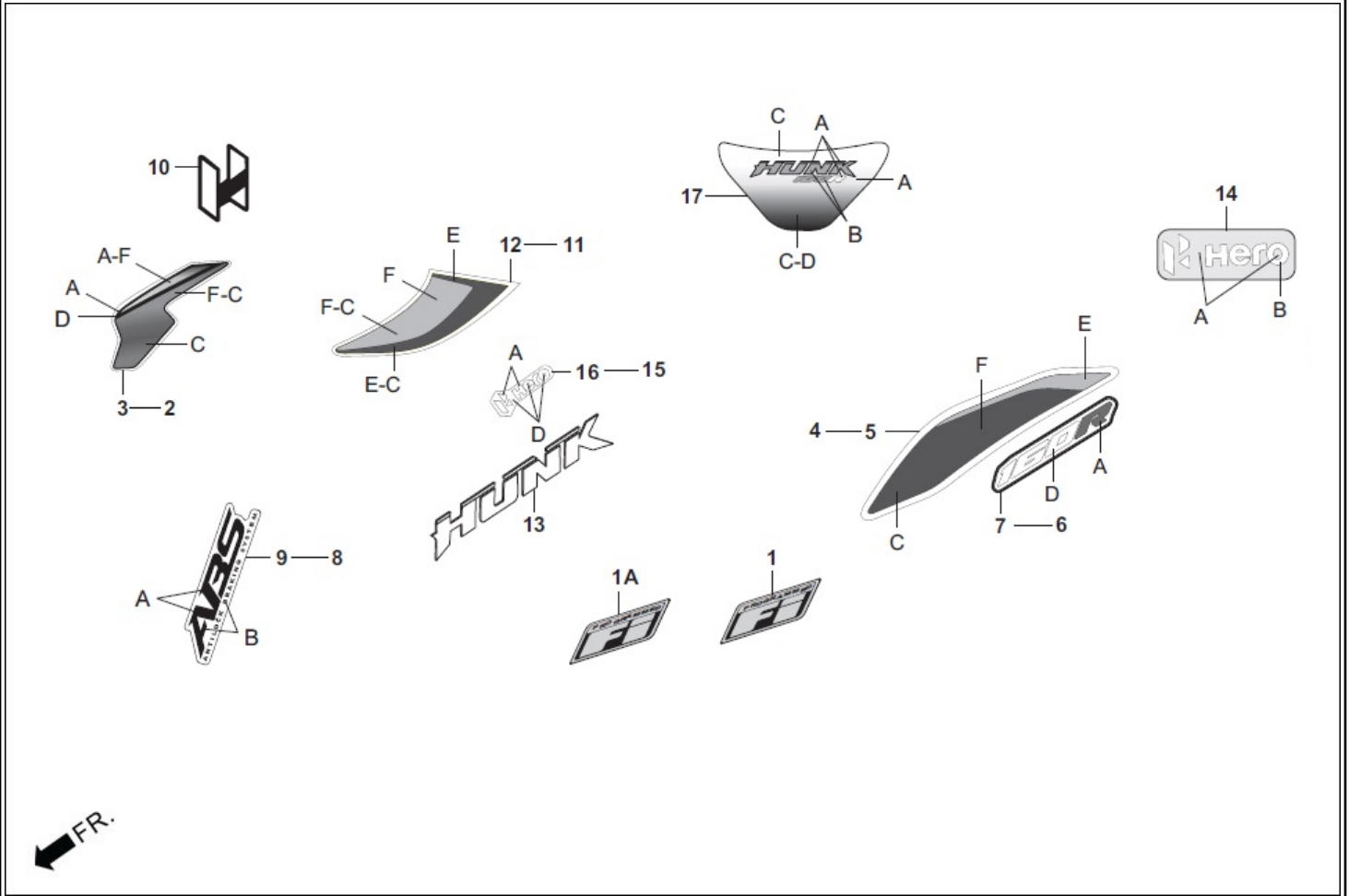
**Group Number:** F-27 Model :: Hunk 160R FI BSVI (Apr, 2020)

Ref No.	Part Number	Description	Req.
12	86882-ABZ-000R	STRIPE A, TANK COVER L SIDE (TYPE-1)	1
	86882-ABZ-000S	STRIPE A, TANK COVER L SIDE (TYPE-2)	1
	86882-ABZ-000U	STRIPE A, TANK COVER L SIDE (TYPE-4)	1

**SPECIFIED COLOUR CHART FOR, STRIPE A, TANK COVER L SIDE**

SPECIFIED COLOUR TYPE	A	B	C	D	E	F	MAIN BODY COLOUR
1	SPORTS RED	FORCE SILVER	VIBRANT BLUE	TRANSPARENT	HEAVY GREY DARK	NH-1 BLACK	VIBRANT BLUE METALLIC (PB-374M)
2	SPORTS RED	HEAVY GREY DARK	PEARL SILVER WHITE	TRANSPARENT	NH-1 BLACK	HEAVY GREY DARK	PEARL SILVER WHITE EX SPARKLE ME. (WH-004P)
3	PEARL SILVER WHITE	FORCE SILVER	SPORTS RED	TRANSPARENT	NH-1 BLACK	HEAVY GREY DARK	SPORTS RED (R-321)

## F-27 : STRIPE/ MARKS



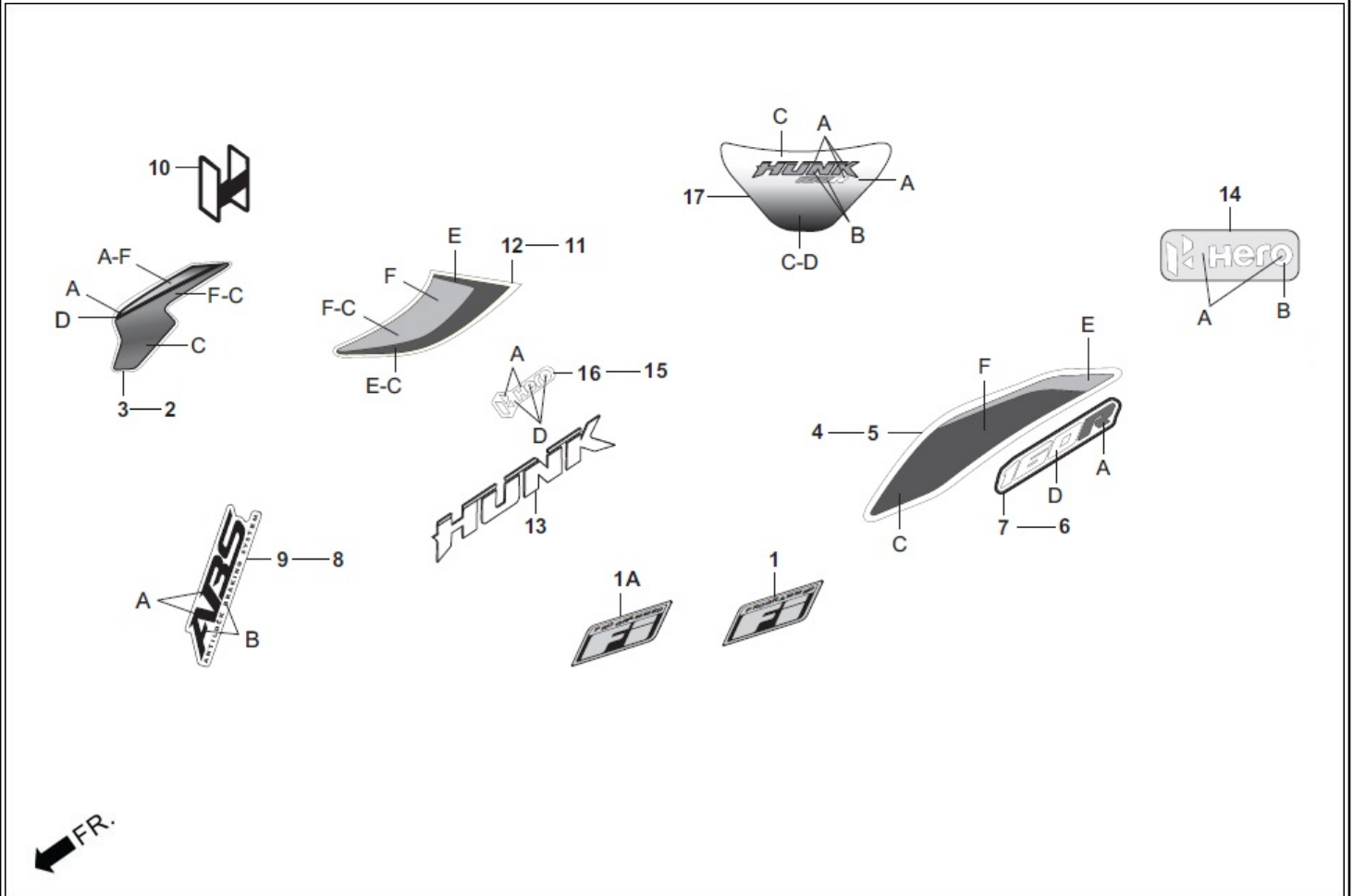
**Group Number:** F-27 Model :: Hunk 160R FI BSVI (Apr, 2020)

Ref No.	Part Number	Description	Req.
13	86830-ABZ-200	EMBLEM TANK COVER SIDE	2
14	87117-ABZ-000R	MARK HERO RR FENDER B (TYPE-1)	1

### SPECIFIED COLOUR CHART FOR, MARK HERO RR FENDER B

SPECIFIED COLOUR TYPE	A	B	MAIN BODY COLOUR
1	NH-1 BLACK	FORCE SILVER	VIBRANT BLUE METALLIC (PB-374M)
			PEARL SILVER WHITE EX SPARKLE ME. (WH-004P)
			SPORTS RED (R-321)

## F-27 : STRIPE/ MARKS



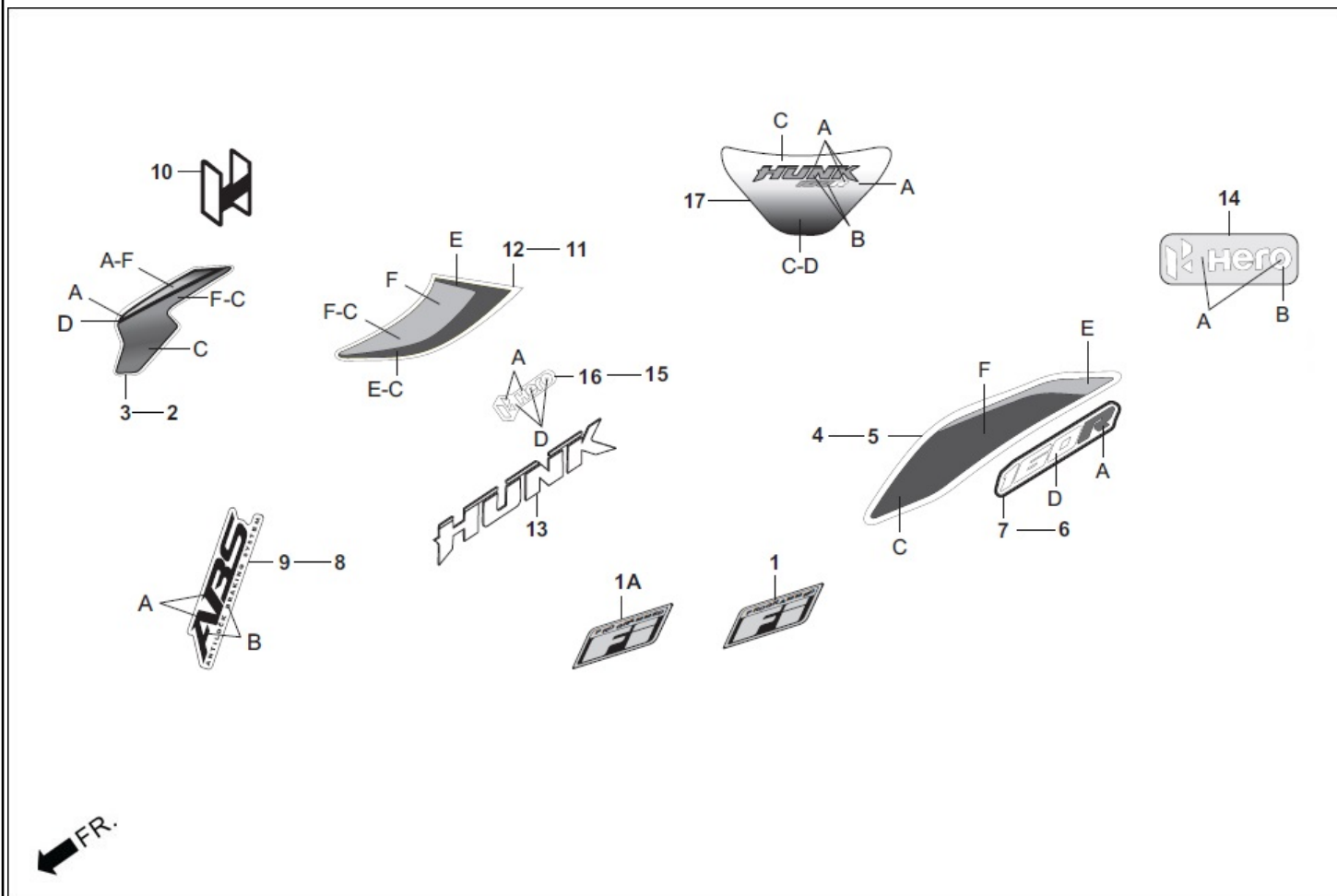
**Group Number:** F-27 Model :: Hunk 160R FI BSVI (Apr, 2020)

Ref No.	Part Number	Description	Req.
15	86885-ABZ-000R	MARK HERO TANK COVER R SIDE (TYPE-1)	1
	86885-ABZ-000S	MARK HERO TANK COVER R SIDE (TYPE-2)	1

**SPECIFIED COLOUR CHART FOR, MARK HERO TANK COVER R SIDE**

SPECIFIED COLOUR TYPE	A	D	MAIN BODY COLOUR
1	FORCE SILVER	TRANSPARENT (GLOSS)	VIBRANT BLUE METALLIC (PB-374M)
2	NH-1 BLACK	TRANSPARENT (GLOSS)	PEARL SILVER WHITE EX SPARKLE ME. (WH-004P)
1	FORCE SILVER	TRANSPARENT (GLOSS)	SPORTS RED (R-321)

## F-27 : STRIPE/ MARKS



**Group Number:** F-27 Model :: Hunk 160R FI BSVI (Apr, 2020)

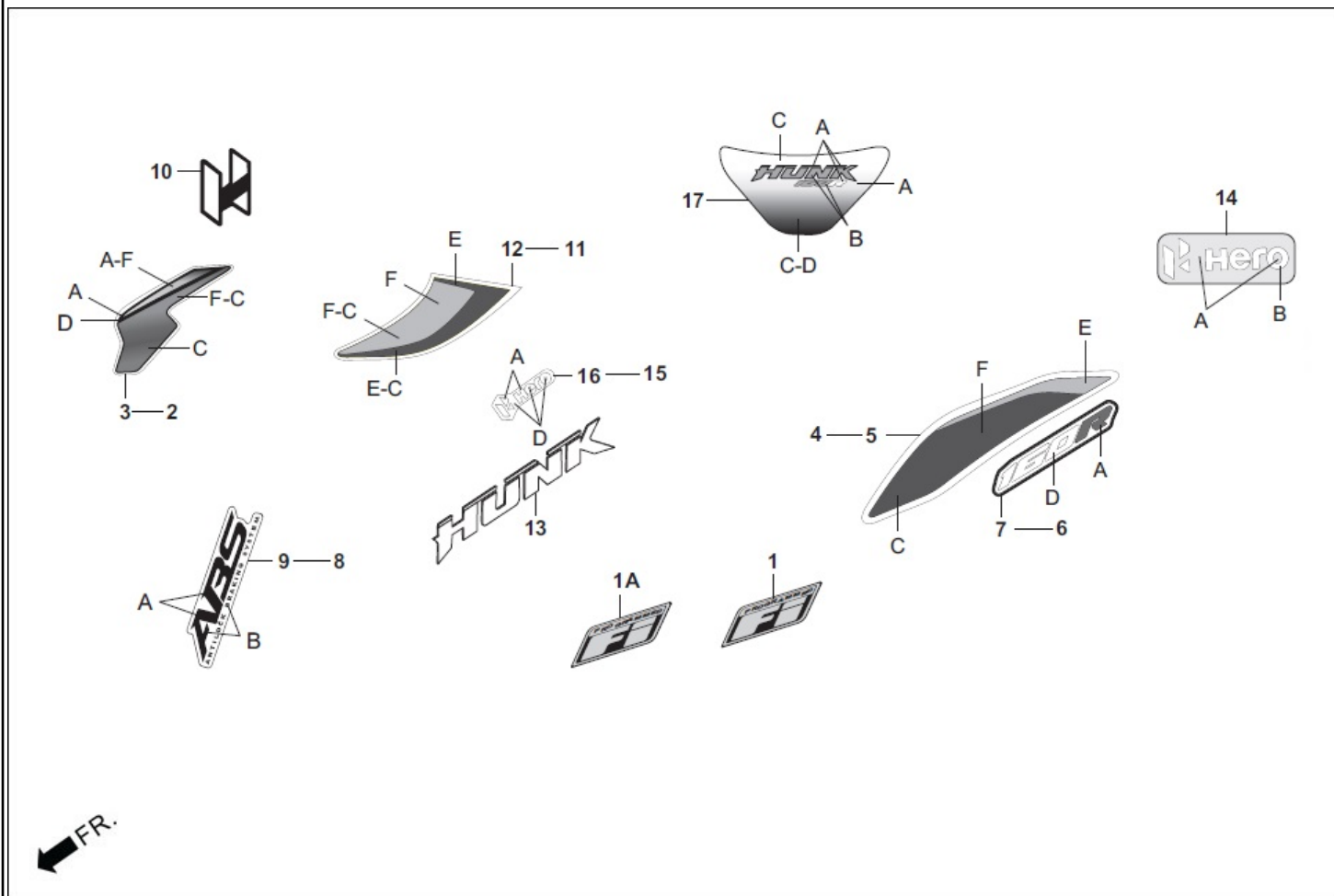
Ref No.	Part Number	Description	Req.
16	86886-ABZ-000R	MARK HERO TANK COVER L SIDE (TYPE-1)	1
	86886-ABZ-000S	MARK HERO TANK COVER L SIDE (TYPE-2)	1

**SPECIFIED COLOUR CHART FOR, MARK HERO TANK COVER L SIDE**

SPECIFIED COLOUR TYPE	A	D	MAIN BODY COLOUR
1	FORCE SILVER	TRANSPARENT (GLOSS)	VIBRANT BLUE METALLIC (PB-374M)
2	NH-1 BLACK	TRANSPARENT (GLOSS)	PEARL SILVER WHITE EX SPARKLE ME. (WH-004P)
1	FORCE SILVER	TRANSPARENT (GLOSS)	SPORTS RED (R-321)



## F-27 : STRIPE/ MARKS



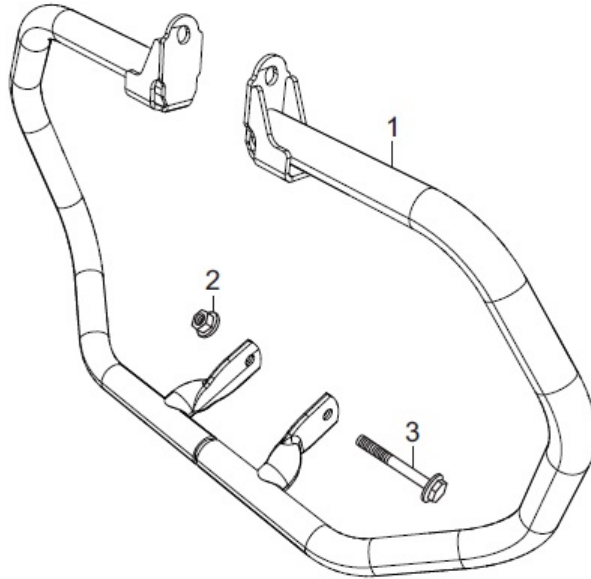
**Group Number:** F-27 Model :: Hunk 160R FI BSVI (Apr, 2020)

Ref No.	Part Number	Description	Req.
17	86889-ABZ-200R	STRIPE TANK COVER RR (TYPE-1)	1
	86889-ABZ-200S	STRIPE TANK COVER RR (TYPE-2)	1
	86889-ABZ-200T	STRIPE TANK COVER RR (TYPE-3)	1

**SPECIFIED COLOUR CHART FOR, STRIPE TANK COVER RR**

SPECIFIED COLOUR TYPE	A	B	C	D	MAIN BODY COLOUR
1	SPORTS RED	FORCE SILVER	VIBRANT BLUE	NH-1 BLACK	VIBRANT BLUE METALLIC (PB-374M)
2	SPORTS RED	HEAVY GREY DARK	PEARL SILVER WHITE	HEAVY GREY	PEARL SILVER WHITE EX SPARKLE ME. (WH-004P)
3	PEARL SILVER WHITE	FORCE SILVER	SPORTS RED	HEAVY GREY	SPORTS RED (R-321)

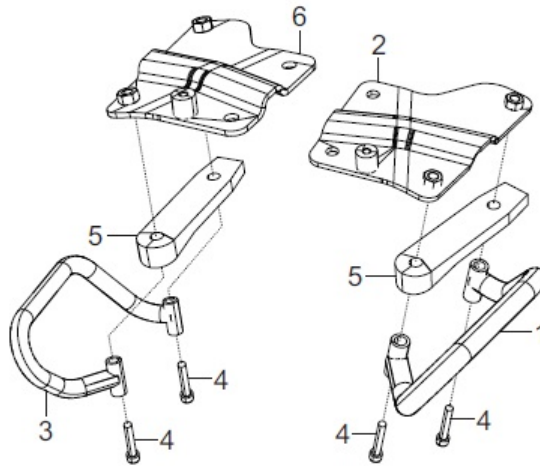
## F-28 : GUARD FRONT



**Group Number:** F-28 Model :: Hunk 160R FI BSVI (Apr, 2020)

Ref No.	Part Number	Description	Req.
1	50803-ABZ-000	GUARD ENGINE	1
2	94050-08000	NUT, FLANGE, 8MM	1
3	95801-08090-00	BOLT FLANGE 8X90	1

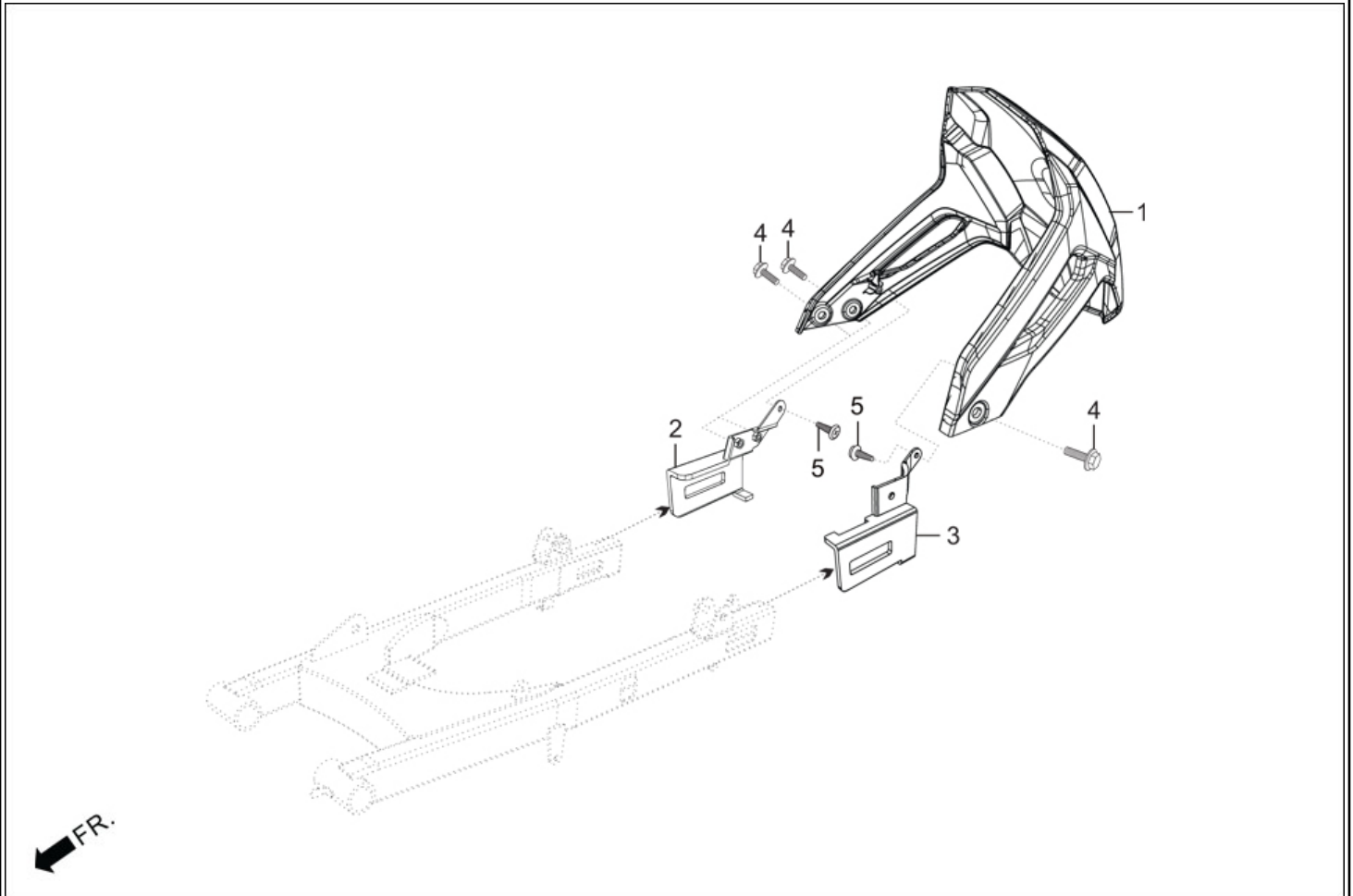
## F-29 : RR SIDE GRAB (OPTIONAL)



**Group Number:** F-29 **Model ::** Hunk 160R FI BSVI (Apr, 2020)

Ref No.	Part Number	Description	Req.
1	50425-ABZ-000	RR SIDE GRAB L	1
2	50420-ABZ-000	MTG. PLATE L	1
3	50415-ABZ-000	RR SIDE GRAB R	1
4	96700-08048-00	SOCKET, BOLT, 8 X 48	4
5	50405-ABZ-000	CUSHION GRAB MTG. RR	2
6	50410-ABZ-000	MTG. PLATE R	1

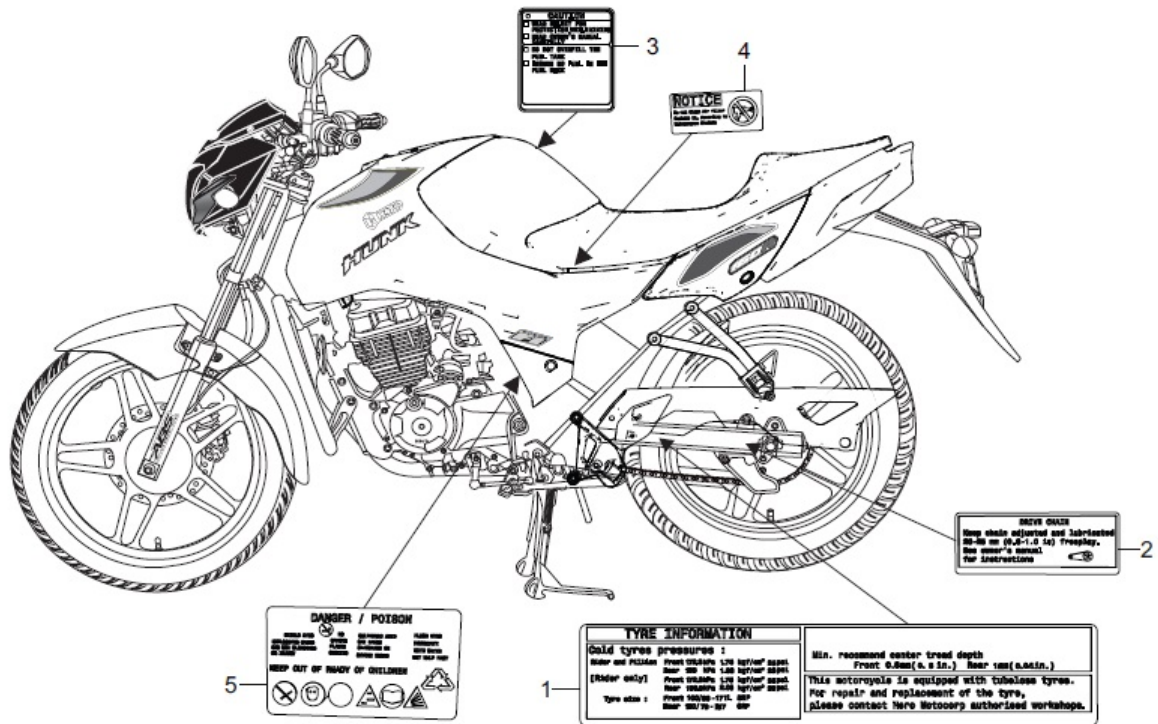
## F-29A : REAR HUGGER FENDER



**Group Number:** F-29A **Model ::** Hunk 160R FI BSVI (Apr, 2020)

Ref No.	Part Number	Description	Req.
1	80125-ABZ-000	REAR HUGGER FENDER	1
2	52107-AAB-A00	STAY HUGGER FENDER RH	1
3	52108-AAB-A00	STAY HUGGER FENDER LH	1
4	90111-187-000	BOLT, FLANGE. 6 MM	3
5	93903-35280	SCREW, TAPPING, 5 X 12	2

## F-30 : CAUTION LABEL



**Group Number: F-30 Model :: Hunk 160R FI BSVI (Apr, 2020)**

Ref No.	Part Number	Description	Req.
1	87505-AAB-A00	LABEL TYRE	1
2	87507-AAB-A00	LABEL DRIVE CHAIN	1
3	87560-ACK-000	MARK, CAUTION	1
	87560-AAF-400	MARK, CAUTION	1
4	87509-AAP-000	LABEL AIR/C ELEMENT NOTICE	1
5	91401-KVT-941	LABEL CAUTION	1

# **PARTS INDEX**

PART NO	BLOCK	PART NO	BLOCK
1110A-ABZ-000	E-3B	14781-MA6-000	E-1C
1120A-ABZ-000	E-3B	15100-ABF-000	E-6
1719A-ABZ-000	F-11	15130-ABZ-000	E-6
1723A-ABZ-000	F-24B	15331-ABF-000	E-6
1769H-ABZ-000	F-11A	15332-ABF-000	E-6
1769M-ABZ-000	F-11A	15421-KTN-900	E-6
1769A-ABZ-000	F-11A	15430-KSP-910	E-6
3372B-AAG-30099	F-20	15436-KRM-840	E-6
5040A-ABZ-000	F-25B	15441-KCS-650	E-6
5045A-ABZ-000	F-25B	15446-107-000	E-6
06435-AAB-A00	F-8A-DISC	15459-ABZ-000	E-6
06451-KCC-841	F-4B	15650-ABZ-000	E-6
06451-MA7-405	F-8A-DISC	15772-KTN-900	F-13
06455-KVE-861	F-4B	16094-AAN-110	E-11A
11108-KTN-900	E-3B	16210-ABZ-000	E-11A
11215-KSP-910	E-3B	16217-KRY-970	E-11A
11216-AAB-A00	E-3B	16222-KSP-910	E-11A
11217-KRM-840	E-3B	16400-ABZ-000	E-11
11330-ABZ-000	E-3	16418-ABZ-000	E-11
11341-ABZ-000	E-3A	16424-AAN-500	E-11A
11360-ABZ-000	E-3A	16425-AAN-110	E-11A
11365-AAB-A00	E-3A	16451-ABZ-000	E-11A
11393-ABZ-000	E-3	16700-ABZ-001	F-11
11395-ABZ-000	E-3A	16701-AAC-801	F-11
12100-ABZ-000	E-1B	16702-AAC-801	F-11
12191-ABZ-000	E-1B	16702-AAC-802	F-11
12200-ABZ-000	E-1A	17110-ABZ-000	E-11A
12209-AAN-410	E-1C	17208-AAB-A00	F-13
12210-ABZ-000	E-1A	17210-ABZ-000	F-13
12212-KRM-840	E-1A	17214-ABZ-000	F-24B
12213-KSP-910	E-1A	17219-ABZ-000	F-13
12214-ABZ-000	E-1A	17220-ABZ-000	F-13
12251-ABZ-000	E-1A	17222-ABZ-000	F-13
12311-ABZ-000	E-1	17227-ABA-000	F-13
12391-KRM-840	E-1	17230-AAH-100	F-11A
12396-KRM-840	E-1	17311-ABZ-000	F-13
13000-ABZ-000	E-7	17312-ABZ-000	F-11
13011-ABZ-000	E-7	17313-ABZ-000	F-11
13101-ABZ-001	E-7	17371-ABZ-000	F-13
13111-KSP-910	E-7	17410-AAH-A0099	F-11A
13201-ABZ-000	E-7	17411-ABZ-000	F-11A
13411-ABZ-000	E-7	17420-AAE-100	F-11A
13420-ABZ-000	E-7	17421-AAB-500	F-11A
13421-ABZ-000	E-7	17430-AAE-100	F-11A
13427-ABZ-000	E-7	17432-AAE-100	F-11A
13428-ABZ-000	E-7	17507-ABZ-000	F-11
13538-ABZ-000	E-7	17510-ABZ-000	F-11
14100-ABZ-000	E-1C	17523-ABZ-000	F-11
14311-KRM-840	E-7	17524-ABZ-000	F-11A
14321-KRM-840	E-2	17525-ABZ-000	F-11
14401-ABZ-000	E-2	17530-ABZ-000R	F-11
14430-ABZ-000	E-1C	17530-ABZ-000S	F-11
14451-KRM-840	E-1C	17530-ABZ-000U	F-11
14510-ABZ-000	E-2	17550-ABZ-200R	F-11
14515-ABZ-000	E-2	17550-ABZ-200S	F-11
14520-AAB-A0099	E-2	17550-ABZ-200U	F-11
14560-KSP-910	E-2	17554-AAR-101	F-11A
14610-ABZ-000	E-2	17560-ABZ-200R	F-11
14711-KSP-910	E-1C	17560-ABZ-200S	F-11
14721-KVE-900	E-1C	17560-ABZ-200U	F-11
14751-AAB-100	E-1C	17570-ABZ-000	F-11
14761-AAB-100	E-1C	17572-AAC-800	F-11
14771-KSP-910	E-1C	17580-ABZ-200R	F-11
14777-KSP-910	E-1C	17580-ABZ-200S	F-11



<b>PART NO</b>	<b>BLOCK</b>	<b>PART NO</b>	<b>BLOCK</b>
17580-ABZ-200U	F-11	24410-KSP-860	E-10
17620-AAF-401	F-23	24430-KTN-900	E-10
17622-ABZ-000	F-11	24436-KSP-910	E-10
17670-ABZ-000	F-11A	24610-ABZ-000	E-10
17691-ABZ-000	F-11A	24627-KRM-840	E-10
17693-ABZ-000	F-11A	24651-KSP-910	E-10
17694-ABZ-000	F-11A	24652-KSP-910	E-10
17695-AAH-A00	F-11A	24700-ABZ-000	F-17
17696-ABZ-000	F-11A	24701-ABZ-000	F-17
17910-ABZ-000	F-3B	24711-ABZ-000	F-17
18291-KRY-930	F-14	24720-ABZ-000	F-17
18292-KTP-900	F-14	24721-GS3-000	F-17
18293-KPK-900	F-14	24781-KR3-770	F-17
18300-ABZ-000	F-14	28110-KTN-900	E-9
18312-ABZ-000	F-14	28120-KTR-A00A	E-9
18313-ABZ-000	F-14	28131-KTN-900	E-9
18314-ABZ-000	F-14	28132-KN6-930	E-9
18345-MBT-610	F-14	28133-KRM-850	E-9
18421-ABZ-000	F-15-DISC	28211-AAB-A00	E-9
18421-ABZ-000	F-15A-DRUM	28215-KRM-840	E-9
18442-ABZ-000	F-15-DISC	28221-KTN-900	E-9
18442-ABZ-000	F-15A-DRUM	28223-KRM-840	E-9
18442-ABZ-000	F-25	28231-KRM-840	E-9
19052-AAB-A00	F-4A	28241-ABZ-000	F-17A
19509-GE2-003	F-13	28251-ABZ-000	E-9
22100-ABZ-000	E-4	28261-KRM-840	E-9
22115-KSP-910	E-4	28282-KRM-840	E-9
22120-KRM-840	E-4	28293-KFN-850	F-17A
22201-KPM-850	E-4	28300-ABZ-000	F-17A
22201-MR8-000	E-4	28321-ABZ-000	F-17A
22321-KPS-900	E-4	28333-300-000	F-15-DISC
22355-KRM-840	E-4	28333-300-000	F-15A-DRUM
22361-KPK-900	E-4	28333-KK0-000	F-17A
22366-KSP-910	E-4	30510-AAF-401	F-24
22401-KRM-840	E-4	30700-KSP-B01	F-24
22810-KVE-900	E-3	31100-ABZ-001	E-5
22815-428-000	E-3	31110-ABZ-001	E-5
22821-ABZ-000	E-3	31120-ABZ-001	E-5
22870-ABZ-000	F-3	31200-KSP-901	E-5A
22871-KTN-700	F-3	31201-KPT-A01	E-5A
23121-ABZ-000	E-8	31204-KG8-004	E-5A
23210-KVN-900	E-8	31205-KTC-921	E-5A
23220-AAB-A00	E-8	31206-KPH-881	E-5A
23421-KVN-900	E-8	31207-MBE-008	E-5A
23427-KRM-840	E-8	31500-KRP-801	F-24B
23427-KRM-840	E-9	31600-ABZ-001	F-24
23431-AAB-A00	E-8	31810-ABZ-001	F-24
23432-KRM-840	E-8	31916-KRM-84099	E-1A
23441-AAB-A00	E-8	32100-ABZ-010	F-24
23451-AAB-A00	E-8	32108-344-820	F-24
23461-AAB-A00	E-8	32111-ABZ-000	E-5
23471-AAB-A00	E-8	32161-404-000	F-3B
23472-KSP-910	E-8	32401-ABZ-000	F-23
23481-AAB-A00	E-8	32406-KVN-970	F-23
23491-AAB-A00	E-8	32410-ABZ-000	F-24
23492-KSP-910	E-8	32411-253-000	F-24
23501-AAB-A00	E-8	32413-KRY-970	F-24
23801-KRY-970	E-8	32414-ABZ-000	F-23
23811-KR3-600	E-8	32601-ABZ-000	F-24
24211-KRM-840	E-10	32602-ABZ-000	F-24
24212-KRM-840	E-10	33100-ABZ-001	F-1
24241-KRM-840	E-10	33301-KVE-900	F-20
24242-KRM-840	E-10	33400-ABZ-001	F-21
24301-KSP-910	E-10	33450-ABZ-001	F-21

<b>PART NO</b>	<b>BLOCK</b>	<b>PART NO</b>	<b>BLOCK</b>
33600-ABZ-001	F-21A	42615-ABZ-000	F-9-DISC
33619-459-840A	F-14	42615-ABZ-000	F-9A-DRUM
33650-ABZ-001	F-21A	42620-KTR-700	F-7
33700-ABZ-001	F-22	42620-AAR-000	F-9-DISC
33714-KL3-620	F-25A	42620-ABZ-000	F-9A-DRUM
33721-AAG-00099	F-20	42703-AAB-A00	F-7
33722-AAG-00099	F-20	42703-AAB-A00	F-9-DISC
33723-AAG-00099	F-20	42703-AAB-A00	F-9A-DRUM
33729-MCZ-003	F-20	42704-AAB-A00	F-7
33740-AAB-000	F-6A	42704-AAB-A00	F-9-DISC
33743-AAR-001	F-20	42704-AAB-A00	F-9A-DRUM
35010-ABZ-001	F-23	42705-AAB-A00	F-7
35100-AAK-201	F-23	42705-AAB-A00	F-9-DISC
35106-KTC-900	F-6	42705-AAB-A00	F-9A-DRUM
35113-ABW-000	F-23	42707-AAB-A00	F-7
35114-ABW-000	F-23	42707-AAB-A00	F-9-DISC
35121-ABW-001	F-23	42707-AAB-A00	F-9A-DRUM
35122-ABW-001	F-23	42711-AAB-A01	F-9-DISC
35130-AAB-000	F-18	42711-AAB-A01	F-9A-DRUM
35140-ABZ-001	F-23	42753-KWF-90099	F-7
35150-ABZ-001	F-3B	42753-KWF-90099	F-9-DISC
35200-ABZ-001	F-3B	42753-KWF-90099	F-9A-DRUM
35330-413-003	F-3B	43100-ABZ-000	F-8B-DRUM
35330-AAH-F11	F-3B	43107-MA7-006	F-8A-DISC
35340-KCC-841	F-4A	43114-KRY-971	F-8A-DISC
35350-KVE-930A	F-23	43115-AAB-A00	F-8A-DISC
35357-KCT-690	F-17	43141-KTC-900	F-8B-DRUM
35751-KPH-900	E-5A	43145-149-000	F-8B-DRUM
35752-KRM-840	E-5A	43150-AAB-A00	F-8A-DISC
35759-AAB-000	E-5A	43215-KGH-901	F-8A-DISC
35850-AAM-H01	F-23	43216-MAK-003	F-4B
35856-KBG-007	F-23	43251-ABZ-010	F-9-DISC
36532-AAF-401	E-5A	43301-AAB-A00	F-4A
37100-ABZ-011	F-2	43310-ABZ-010	F-8-DISC
37110-ABZ-001	F-2	43352-568-003L	F-8A-DISC
37112-ABZ-001	F-2	43353-461-771L	F-8A-DISC
37113-ABZ-011	F-2	43410-KRY-930	F-8B-DRUM
37700-ABZ-001	E-5A	43451-ABZ-000	F-8B-DRUM
37701-ABZ-001	E-5A	43455-KSP-900	F-8B-DRUM
37750-AAF-401	E-5A	43456-KSP-900	F-8B-DRUM
37800-ABZ-001	F-11	43459-KSP-900	F-8B-DRUM
38110-KVE-861	F-25A	43503-ABZ-010	F-8-DISC
38117-KFE-701	F-25A	43504-MB2-006	F-8-DISC
38520-ABZ-000	F-4A	43510-ABZ-010	F-8-DISC
38800-ABZ-001	F-24	43511-KW7-881	F-8-DISC
38871-ABZ-001	F-24	43512-ABZ-010	F-8-DISC
40510-ABZ-000	F-18A	43514-KS6-701	F-8-DISC
40530-ABZ-00099	F-16	43520-MJ6-315	F-8-DISC
40531-ABZ-002	F-16	43530-MV9-006	F-8-DISC
40543-KRY-900	F-16	44301-AAB-A00	F-7
40546-KVE-901	F-16	44311-KPL-900	F-7
41201-AAR-000	F-9-DISC	44601-ABZ-012	F-7
41201-AAR-000	F-9A-DRUM	44711-AAB-A01	F-7
41241-ABZ-000	F-9-DISC	44802-AAB-A00	F-7
41241-ABZ-000	F-9A-DRUM	45107-KCC-841	F-4B
42301-AAB-A01	F-9-DISC	45108-KCC-841	F-4B
42301-AAB-A01	F-9A-DRUM	45111-MAJ-G41	F-8A-DISC
42303-AAB-A00	F-9-DISC	45125-AAH-F0099	F-8B-DRUM
42303-AAB-A00	F-9A-DRUM	45126-ABZ-010	F-4A
42311-AAB-A00	F-9-DISC	45128-ABZ-010	F-4A
42311-AAB-A00	F-9A-DRUM	45131-GE2-006L	F-4B
42313-KRY-970	F-9-DISC	45131-GZ0-006L	F-4B
42601-ABZ-012	F-9-DISC	45131-GE2-006L	F-8A-DISC
42601-ABZ-002	F-9A-DRUM	45131-GZ0-006L	F-8A-DISC

<b>PART NO</b>	<b>BLOCK</b>	<b>PART NO</b>	<b>BLOCK</b>
45132-KCC-841	F-4B	50603-KR0-010	F-15-DISC
45132-166-016L	F-8A-DISC	50603-KR0-010	F-15A-DRUM
45133-KCC-841	F-4B	50605-ABZ-000	F-15-DISC
45133-MA3-006L	F-8A-DISC	50605-ABZ-000	F-15A-DRUM
45133-KCC-900	F-8B-DRUM	50606-ABZ-000	F-15-DISC
45134-250-000	F-8B-DRUM	50606-ABZ-000	F-15A-DRUM
45156-ABZ-010	F-4A	50610-ABZ-000	F-18
45203-MCC-006	F-8A-DISC	50612-KRY-970	F-15-DISC
45220-KCC-841	F-4B	50612-KRY-970	F-15A-DRUM
45250-KCC-841	F-4B	50617-AAS-000	F-15-DISC
45251-ABZ-010	F-7	50617-AAS-000	F-15A-DRUM
45252-AAB-A00	F-7	50619-KRY-970	F-15-DISC
45290-KCC-841	F-4B	50619-KRY-970	F-15A-DRUM
45352-KCC-841	F-4B	50639-KRY-970	F-15-DISC
45353-KCC-841	F-4B	50639-KRY-970	F-15A-DRUM
45504-KCC-841	F-4A	50642-KRY-970	F-15-DISC
45506-KCC-841	F-4A	50642-KRY-970	F-15A-DRUM
45510-KVN-901	F-4A	50643-KCT-690	F-15-DISC
45513-KCC-841	F-4A	50643-KCT-690	F-15A-DRUM
45513-GW0-911	F-8-DISC	50644-AAS-000	F-15-DISC
45515-KVN-901	F-4A	50644-AAS-000	F-15A-DRUM
45516-KCC-841	F-4A	50661-KVE-860	F-15-DISC
45517-166-000	F-3B	50661-KVE-860	F-15A-DRUM
45517-KCC-841	F-4A	50700-ABZ-000	F-15-DISC
45518-KCC-841	F-4A	50700-ABZ-000	F-15A-DRUM
45519-KCC-841	F-4A	50701-ABZ-010	F-15-DISC
45520-KCC-841	F-4A	50701-ABZ-000	F-15A-DRUM
45520-GW0-911	F-8-DISC	50702-ABZ-000	F-15-DISC
45521-KCC-841	F-4A	50702-ABZ-000	F-15A-DRUM
45521-GW0-911	F-8-DISC	50720-ABZ-000	F-15-DISC
45522-KCC-841	F-4A	50720-ABZ-000	F-15A-DRUM
45525-KCC-841	F-4A	50730-ABZ-000	F-15-DISC
45526-KCC-841	F-4A	50730-ABZ-000	F-15A-DRUM
45530-KCC-841	F-4A	50803-ABZ-000	F-28
46182-MEL-D21	F-8-DISC	51401-ABZ-000	F-6A
46500-ABZ-010	F-15B-DISC	51410-ABZ-000	F-6A
46500-ABZ-000	F-15C-DRUM	51412-ABZ-000	F-6A
46504-KV6-702	F-8-DISC	51414-ABZ-000	F-6A
46514-ABZ-000	F-15B-DISC	51419-ABZ-000	F-6A
46514-ABZ-000	F-15C-DRUM	51420-ABZ-000	F-6A
50100-ABZ-000	F-25	51423-ABZ-000	F-6A
50137-AAR-000	F-25	51432-ABZ-000	F-6A
50157-AAF-400	F-25	51437-ABZ-000	F-6A
50191-ABZ-000	F-25	51440-ABZ-000	F-6A
50193-ABZ-000	F-25	51450-ABZ-000R	F-6A
50194-ABZ-000	F-11	51520-ABZ-000	F-6A
50207-AAB-A00	F-4A	51550-ABZ-000R	F-6A
50301-KTR-900	F-6	52101-ABZ-000	F-18A
50301-041-010	F-6	52107-AAB-A00	F-29A
50351-ABZ-000	F-25	52108-AAB-A00	F-29A
50353-ABZ-000	F-25	52110-ABZ-000	F-18A
50354-428-000	F-10	52141-ABZ-000	F-18A
50405-ABZ-000	F-29	52144-ABZ-000	F-18A
50410-ABZ-000	F-29	52170-ABZ-000	F-18A
50415-ABZ-000	F-29	52400-ABZ-000	F-19
50420-ABZ-000	F-29	53100-ABZ-000	F-3B
50425-ABZ-000	F-29	53105-KRC-900	F-3B
50500-ABZ-000	F-18	53131-ABZ-000	F-3B
50505-ABZ-000	F-25	53140-KVE-860	F-3B
50530-ABZ-000	F-18	53166-KVE-860	F-3B
50600-ABZ-010	F-15-DISC	53172-KRC-900	F-3B
50600-ABZ-010	F-15A-DRUM	53174-116-670	F-4A
50602-ABZ-000	F-15-DISC	53175-KSP-900	F-4A
50602-ABZ-000	F-15A-DRUM	53178-KFN-850	F-3B

<b>PART NO</b>	<b>BLOCK</b>	<b>PART NO</b>	<b>BLOCK</b>
53179-KTC-900	F-3	80123-KCC-870	F-20
53200-ABZ-000	F-6	80125-ABZ-000	F-29A
53210-ABZ-001	F-6	80150-AAB-A00	F-20
53211-028-010	F-6	83402-ABZ-000	F-1A
53212-200-000	F-6	83403-ABZ-000	F-24B
53214-200-000	F-6	83407-ABZ-000	F-11
53215-KTR-900	F-6	83407-KTR-940	F-24B
53220-ABZ-000	F-6	83408-ABZ-000	F-11
53222-ABZ-000	F-6	83502-KCC-900	F-25
53230-ABZ-000	F-6	83545-AAB-A00	F-4A
53252-ABZ-000	F-1A	83545-KCJ-690	F-13
57111-ABZ-000	F-4A	83551-300-000	F-25
61101-ABZ-000R	F-5	83601-MN5-000	F-20
61101-ABZ-000S	F-5	84706-163-670	F-5
61101-ABZ-000U	F-5	85401-AAW-A00	F-27
61103-KVE-860	F-1A	85404-AAC-800	F-27
61104-428-000	F-1A	86673-ABZ-000R	F-27
61104-428-000	F-11	86673-ABZ-000S	F-27
61105-KTC-900	F-5	86673-ABZ-000U	F-27
61301-ABZ-000	F-1A	86674-ABZ-000R	F-27
61312-ABZ-000	F-1A	86674-ABZ-000S	F-27
61313-ABZ-000	F-1A	86674-ABZ-000U	F-27
61320-ABZ-000R	F-1A	86771-ABZ-000R	F-27
61320-ABZ-000S	F-1A	86771-ABZ-000S	F-27
61320-ABZ-000U	F-1A	86771-ABZ-000U	F-27
61330-ABZ-000R	F-1A	86772-ABZ-000R	F-27
61330-ABZ-000S	F-1A	86772-ABZ-000S	F-27
61330-ABZ-000U	F-1A	86772-ABZ-000U	F-27
64120-ABZ-000	F-11	86773-ABZ-000R	F-27
64300-ABZ-000	F-1A	86773-ABZ-000S	F-27
64302-ABZ-000	F-1A	86773-ABZ-000U	F-27
64315-ABZ-000	F-1A	86774-ABZ-000R	F-27
64332-ABZ-000	F-1A	86774-ABZ-000S	F-27
75582-KCW-870	F-12	86774-ABZ-000U	F-27
77156-ABZ-000	F-10	86780-ABZ-000R	F-27
77200-ABZ-000	F-10	86830-ABZ-200	F-27
77202-KCC-900	F-11	86840-AAN-B00	F-27
77204-AAR-000	F-10	86880-ABZ-000R	F-27
77205-KTN-700	F-10	86881-ABZ-000R	F-27
77209-KAG-900	F-1A	86881-ABZ-000S	F-27
77220-KY6-000	F-10	86881-ABZ-000U	F-27
77232-KVE-900	F-12	86882-ABZ-000R	F-27
77239-AAL-H00	F-12	86882-ABZ-000S	F-27
77239-AAL-H00	F-23	86882-ABZ-000U	F-27
77240-ABZ-000R	F-12	86885-ABZ-000R	F-27
77240-ABZ-000S	F-12	86885-ABZ-000S	F-27
77240-ABZ-000U	F-12	86886-ABZ-000R	F-27
77244-ABZ-000	F-12	86886-ABZ-000S	F-27
77250-ABZ-000R	F-12	86889-ABZ-200R	F-27
77250-ABZ-000S	F-12	86889-ABZ-200S	F-27
77250-ABZ-000U	F-12	86889-ABZ-200T	F-27
77346-ABZ-000	F-10A	87117-ABZ-000R	F-27
77356-ABZ-000	F-10A	87505-AAB-A00	F-30
77446-ABZ-000	F-10A	87507-AAB-A00	F-30
77456-ABZ-000	F-10A	87509-AAP-000	F-30
80100-ABZ-000R	F-20	87560-ACK-000	F-30
80101-443-000	F-1A	87560-AAF-400	F-30
80103-AAB-A00	F-26	88110-ABZ-001	F-3A
80111-KVN-900	F-10A	88114-198-D10	F-3A
80111-KVN-900	F-12	88120-ABZ-001	F-3A
80112-KVN-900	F-10A	89102-538-000	F-26
80112-KVN-900	F-12	89102-AAC-000	F-26
80120-ABZ-000	F-20	89103-538-000	F-26
80123-KCC-870	F-10	89215-AAC-000	F-26

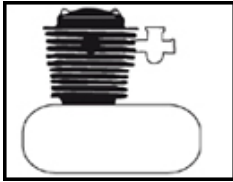
<b>PART NO</b>	<b>BLOCK</b>	<b>PART NO</b>	<b>BLOCK</b>
89216-AAD-H00	F-26	90201-MW3-620	F-3A
90001-AAB-A00	F-6	90202-KRM-840	E-4
90002-KRM-840	E-1A	90206-250-000	E-1C
90002-AAB-A00	F-6	90231-KM7-700	E-6
90003-KFG-000	E-1	90301-473-000	F-8B-DRUM
90003-KVS-900	E-10	90302-KTE-911	F-6A
90003-MY5-720	F-3A	90302-KBP-900	F-16
90006-MEE-000	E-11A	90303-KCC-841	F-4A
90008-KRM-840	E-4	90304-159-000	F-6
90012-KK3-830	E-1C	90304-KCS-920	F-9-DISC
90019-399-010	F-25	90304-KCS-920	F-9A-DRUM
90022-MG8-000	E-10	90304-KFN-850	F-18
90031-ABZ-000	E-3B	90304-KST-942	F-19
90040-KSP-910	E-1A	90305-KVN-900	F-9-DISC
90042-AAB-A00	F-4A	90305-KVN-900	F-9A-DRUM
90071-MB0-000	E-5A	90305-KSP-900	F-14
90071-MB0-000	F-11	90305-KVN-900	F-18A
90083-KRM-840	E-2	90306-KRM-840	E-1A
90083-KVH-900	E-5	90306-KST-942	F-7
90084-KVE-930	E-3A	90306-KTE-911	F-7
90084-041-000	E-8	90306-KVT-941	F-24B
90085-KTC-920	E-9	90311-AAF-401	F-1
90087-KVE-900	E-3A	90311-MT3-000	F-20
90101-GE0-000	F-1	90311-AAF-401	F-22
90101-GE0-000	F-1A	90320-GC3-000	F-1A
90101-KY6-000	F-2	90320-GC3-000	F-10A
90101-GE0-000	F-10A	90320-GC3-000	F-11
90101-087-720	F-11	90320-GC3-000	F-20
90101-GE0-000	F-12	90381-KWA-940	F-5
90101-GE0-000	F-20	90401-KRM-840	E-4
90101-GE0-000	F-22	90403-ABZ-000	E-7
90102-KVN-900	F-3B	90417-KRM-840	E-10
90102-GB2-720	F-10A	90432-KPT-A00	E-6
90102-KVN-900	F-11	90441-KRM-840	E-3B
90102-GB2-720	F-11	90443-MB0-000	E-5A
90105-KL8-741	F-7	90451-KRM-840	E-9
90105-KL8-741	F-9-DISC	90452-KRM-840	E-8
90107-KST-940	F-14	90452-GB4-770	E-8
90107-AAB-000	F-18	90452-GB4-770	E-9
90108-ABZ-000	F-18	90453-KRM-840	E-8
90111-187-000	F-1A	90454-107-000	E-8
90111-KCC-841	F-4A	90455-KSP-910	E-9
90111-187-000	F-13	90456-KRM-840	E-8
90111-187-000	F-18A	90457-KRM-840	E-10
90111-06017-07	F-20	90463-KRM-840	E-1
90111-187-000	F-20	90501-KPT-A00	E-4
90111-MR5-000	F-23	90501-KPT-A00	E-5
90111-187-000	F-24B	90501-ABW-000	F-18A
90111-187-000	F-29A	90502-KRY-930	F-8B-DRUM
90112-KCC-841	F-4A	90502-155-000	F-17
90112-KRP-900	F-24B	90503-051-870	F-6
90113-438-000	F-3B	90543-MV9-670	E-1
90114-KCC-841	F-4A	90544-ABZ-000	F-6A
90115-MV9-000	F-15-DISC	90545-300-000	F-4A
90115-MV9-000	F-15A-DRUM	90545-300-000	F-8-DISC
90116-ABZ-000	F-6A	90560-KVE-900	F-9-DISC
90122-KVT-941	F-24B	90560-KVE-900	F-9A-DRUM
90123-ABZ-000	F-6A	90563-355-000	F-1A
90131-KRM-840	E-3B	90601-AAB-A00	E-8
90145-MS9-610	F-4A	90601-ABZ-000	F-6A
90145-MS9-610	F-8-DISC	90601-KAF-003	F-13
90155-KY4-900	F-4A	90601-KAF-003	F-23
90159-AAB-A00	F-19	90602-KRM-840	E-8
90201-KRM-840	E-5	90605-ABZ-000	E-7

<b>PART NO</b>	<b>BLOCK</b>	<b>PART NO</b>	<b>BLOCK</b>
90605-200-000	E-8	93891-05008-00	F-4A
90651-KCC-841	F-4A	93893-04012-17L	F-8-DISC
90651-MK3-780	F-13	93901-AAR-001	F-21
90677-KAN-961	F-2	93901-AAR-001	F-21A
90677-KAN-961	F-11	93903-34210	F-1A
90683-ABZ-000	F-10A	93903-34210	F-10A
90701-KFN-850	E-3	93903-34310	F-10A
90704-KRM-840	E-1A	93903-34210	F-11
90741-KGH-900	E-7	93903-34210	F-20
90741-KFB-000	E-7	93903-34380	F-20
90755-229-000	F-7	93903-35280	F-29A
91001-ABZ-000	E-3B	93913-25280	F-1
91001-ABZ-002	E-3B	94001-06070-0S	F-2
91001-GF6-000	E-3B	94001-06000-0S	F-16
91002-KSP-911	E-7	94001-06090-0S	F-20
91003-KSP-910	E-3B	94002-08000-0S	F-3
91004-KTN-900	E-3B	94002-08000-0S	F-8-DISC
91004-ABF-000	E-3B	94030-08000	F-3
91005-KTN-900	E-3B	94050-12000	E-7
91007-KTN-900	E-1C	94050-06000	F-3B
91008-AAB-A01	E-1C	94050-08000	F-14
91022-KTN-900	E-9	94050-05000	F-20
91071-KVN-900	F-18A	94050-08000	F-21
91101-KTN-901	E-7	94050-08000	F-21A
91102-KTN-901	E-7	94050-08000	F-25
91103-KTN-901	E-7	94050-10000	F-25
91202-KSP-911	E-3	94050-08000	F-28
91203-KSP-910	E-3B	94101-05000	F-13
91204-MC7-003	E-3B	94101-ABZ-000	F-15-DISC
91212-422-006	F-8-DISC	94101-ABZ-000	F-15A-DRUM
91216-KSP-910	E-3B	94101-10000	F-18
91251-KPH-901	F-7	94101-06000	F-20
91253-KSP-901	F-9-DISC	94103-06700	F-2
91253-KSP-901	F-9A-DRUM	94103-06700	F-13
91254-ABZ-000	F-6A	94103-08700	F-14
91255-ABZ-000	F-6A	94103-06000	F-17
91257-230-003	F-9-DISC	94109-12000	E-3B
91303-KRM-840	E-3A	94201-20150	F-8-DISC
91304-ABZ-000	E-11A	94201-30250	F-15-DISC
91305-KRM-840	E-3A	94201-20150	F-15-DISC
91305-KPH-900	E-5A	94201-30250	F-15A-DRUM
91306-MG3-000	E-2	94201-20150	F-15A-DRUM
91307-KRM-840	E-6	94201-20150	F-17
91309-425-003	E-5A	94201-30250	F-18
91320-MB0-000	E-5A	94251-08000	E-6
91356-ABZ-000	F-6A	94301-08140	E-1
91401-KVT-941	F-30	94301-10120	E-1A
91406-KFN-850	F-13	94301-10120	E-1B
91410-ABW-000	F-1A	94301-08140	E-3
91455-MG8-000	F-3B	94301-08140	E-3A
91509-KWA-830	F-1A	94301-08140	E-3B
91540-AAN-410	F-24	94301-08140	E-6
92000-06012-0A	F-20	94305-20102	F-8-DISC
92101-08032-0A	F-17A	94510-16000	E-9
92102-ABZ-000	F-9-DISC	94510-14000	E-10
92102-ABZ-000	F-9A-DRUM	94591-27000	F-1A
92501-AAB-A00	F-15-DISC	94601-14000	E-7
92501-AAB-A00	F-15A-DRUM	95002-02130	F-11A
93404-06016-07	F-1A	95002-70000	F-11A
93500-05020-0G	F-3B	95002-02080	F-11A
93500-05016-0A	F-13	95014-72102	F-18
93600-06040-0G	E-6	95014-71702	F-18
93600-04045-1G	F-8-DISC	95015-54000	F-8-DISC
93700-05012-0A	E-6	95015-53000	F-8B-DRUM

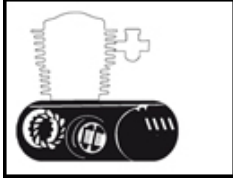
<b>PART NO</b>	<b>BLOCK</b>	<b>PART NO</b>	<b>BLOCK</b>
95018-46320	F-13	96100-60030-00	E-4
95701-06016-00	E-1A	96140-63010-10	F-7
95701-06115-00	E-1A	96140-63020-10	F-9-DISC
95701-06014-00	E-1A	96140-63020-10	F-9A-DRUM
95701-06006-00	E-2	96150-60050-10	F-9-DISC
95701-06016-00	E-2	96150-60050-10	F-9A-DRUM
95701-06016-00	E-3B	96211-08000	F-15-DISC
95701-06040-00	E-3B	96211-08000	F-15A-DRUM
95701-06045-00	E-3B	96211-08000	F-17A
95701-06070-00	E-3B	96220-30085	E-10
95701-06014-00	E-3B	96600-06016-00	E-5
95701-06022-00	E-5A	96600-05012-10	F-7
95701-06020-00	E-5A	96600-08032-00	F-15-DISC
95701-06016-00	E-9	96600-08032-00	F-15A-DRUM
95701-06025-07	F-1A	96600-08025-00	F-23
95701-06012-07	F-1A	96700-06032-10	E-5
95701-06018-00	F-4A	96700-06012-07	F-15-DISC
95701-06012-07	F-4A	96700-08048-00	F-15-DISC
95701-06022-00	F-5	96700-06012-07	F-15A-DRUM
95701-06022-00	F-8-DISC	96700-08048-00	F-15A-DRUM
95701-06035-00	F-8B-DRUM	96700-08048-00	F-29
95701-06012-00	F-10	98200-32000	F-23
95701-06020-00	F-10A	98200-32000	F-24
95701-06012-00	F-11	98210-HMC-000	F-24
95701-08035-00	F-11	98215-HMC-000	F-24
95701-06016-00	F-11	99006-AAB-A00	F-26
95701-06016-07	F-11	99007-AAB-A00	F-26
95701-06020-00	F-12		
95701-06020-00	F-13		
95701-06014-00	F-13		
95701-08040-07	F-14		
95701-05010-00	F-15-DISC		
95701-05010-00	F-15A-DRUM		
95701-06020-00	F-17		
95701-06012-00	F-17		
95701-08020-00	F-18		
95701-08020-00	F-18A		
95701-08016-07	F-18A		
95701-05016-00	F-23		
95701-06018-00	F-24		
95701-08014-00	F-25		
95701-06014-00	F-25		
95701-06020-07	F-25A		
95701-08025-07	F-25B		
95801-08085-00	F-25		
95801-08095-00	F-25		
95801-08090-00	F-28		
95802-08055-0	F-25		
96001-06012-00	E-1		
96001-06016-00	E-1A		
96001-06022-00	E-2		
96001-06030-00	E-3		
96001-06040-00	E-3		
96001-06030-00	E-3A		
96001-06035-00	E-3A		
96001-06045-00	E-3A		
96001-06018-00	E-3B		
96001-06012-00	E-5A		
96001-06025-00	E-11A		
96001-06022-07	F-3B		
96001-06012-02	F-14		
96001-06016-00	F-24		
96001-06020-00	F-24		
96100-AAN-B0499	E-3B		



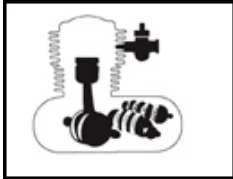
**BLOCK INDEX - GROUP Engine - Hunk 160R FI BSVI (Apr, 2020).**



E-1	CYLN. & CYLN HEAD (CYLINDER HEAD COVER)	80
E-1A	CYLN. & CYLN HEAD (CYLINDER HEAD)	2
E-1B	CYLN. & CYLN HEAD (CYLINDER)	3
E-1C	CYLN. & CYLN HEAD (CAM SHAFT / VALVE)	4
E-2	CAM SHAFT (CAM CHAIN TENSIONER)	5
E-3	CRANK CASE & COVER (RIGHT CRANK CASE COVER)	6
E-3A	CRANK CASE & COVER (LEFT CRANK CASE COVER)	7
E-3B	CRANK CASE & COVER (CRANK CASE)	8

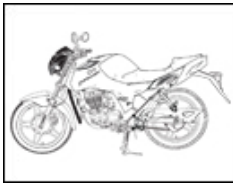


E-4	CLUTCH	10
E-5	ELECTRICALS (AC GEN ASSY)	11
E-5A	ELECTRICALS (STARTER MOTOR)	12
E-6	OIL PUMP ASSY.	13
E-7	CRANK SHAFT (CRANK SHAFT / PISTON)	14
E-8	TRANSMISSION	15

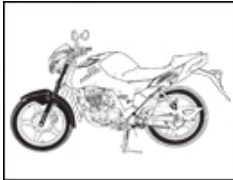


E-9	KICK STARTER (SPINDLE KICK STARTER)	17
E-10	GEAR SHIFT (DRUM GEAR SHIFT)	18
E-11	FUEL INJECTION THROTTLE	19
E-11A	INJECTOR ASSY. FUEL	20

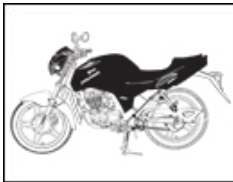
**BLOCK INDEX - GROUP Frame - Hunk 160R FI BSVI (Apr, 2020).**



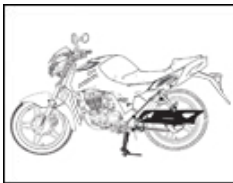
F-1	HEAD LIGHT	21
F-1A	FAIRING (FR. VISOR/COWL/STAY)	22
F-2	SPEEDOMETER / CABLE	24
F-3	HANDLE LEVER / SWITCH/CABLES	25
F-3A	MIRROR ASSY.	26
F-3B	HANDLE & HNDL COVER (HANDLE LEVER / SWITCH/CABLES)	27
F-4A	FRONT BRAKE (MASTER CYLINDER)	28
F-4B	FRONT BRAKE (CALIPER ASSY 'R' FR.)	30
F-5	FRONT FENDER	31
F-6	FRONT CUSHION (STEERING STEM)	32
F-6A	FRONT CUSHION	33
F-7	FRONT WHEEL	34



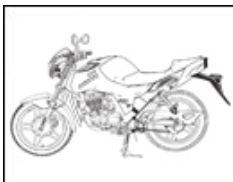
F-8-DISC	REAR BRAKE (MASTER CYL.)(DISC)	35
F-8A-DISC	REAR BRAKE (CALIPER ASSY. REAR)(DISC)	36
F-8B-DRUM	REAR BRAKE PANEL (DRUM)	37
F-9-DISC	RR WHEEL /FLANGE ASSY.DRIVEN (DISC)	38
F-9A-DRUM	RR WHEEL /FLANGE ASSY.DRIVEN (DRUM)	40
F-10	SEAT ASSY.	41
F-10A	BODY COVER (R./L. COWLS)	42
F-11	FUEL TANK	43
F-11A	FUEL TANK (CANISTER ASSY.)	45



F-12	SIDE COVER	46
F-13	AIR CLEANER	47
F-14	MUFFLER	48
F-15-DISC	STEP PILLION /HOLDER / BRKT.(DISC)	49
F-15A-DRUM	STEP PILLION /HOLDER / BRKT.(DRUM)	51
F-15B-DISC	STEP PILLION /HOLDER / BRKT.(PEDAL BRAKE)(DISC)	53
F-15C-DRUM	STEP PILLION /HOLDER / BRKT.(PEDAL BRAKE) (DRUM)	54



F-16	CHAIN DRIVE /ADJUSTER CHAIN	55
F-17	PEDAL	56
F-17A	KICK STARTER	57
F-18	CHAIN CASE & STAND	58
F-18A	SWINGARM /GUARD SAREE /CHAIN CASE	59
F-19	CUSHION REAR	60
F-20	REAR FENDER	61



F-21	FRONT WINKER	62
F-21A	REAR WINKER	63
F-22	TAIL LIGHT	64
F-23	SWITCH ASSY ./RELAY / LOCK ASSY./ KEY BLANK	65



F-24	ELECTRICALS (WIRE HARNESS/START CABLES)	66
F-24B	BATTERY ASSY.	67
F-25	FRAME BODY	68
F-25A	HORN ASSY.	69
F-25B	GRIP REAR	70
F-26	TOOLS	71
F-27	STRIPE/ MARKS	72
F-28	GUARD FRONT	86
F-29	RR SIDE GRAB (OPTIONAL)	87
F-29A	REAR HUGGER FENDER	88
F-30	CAUTION LABEL	89