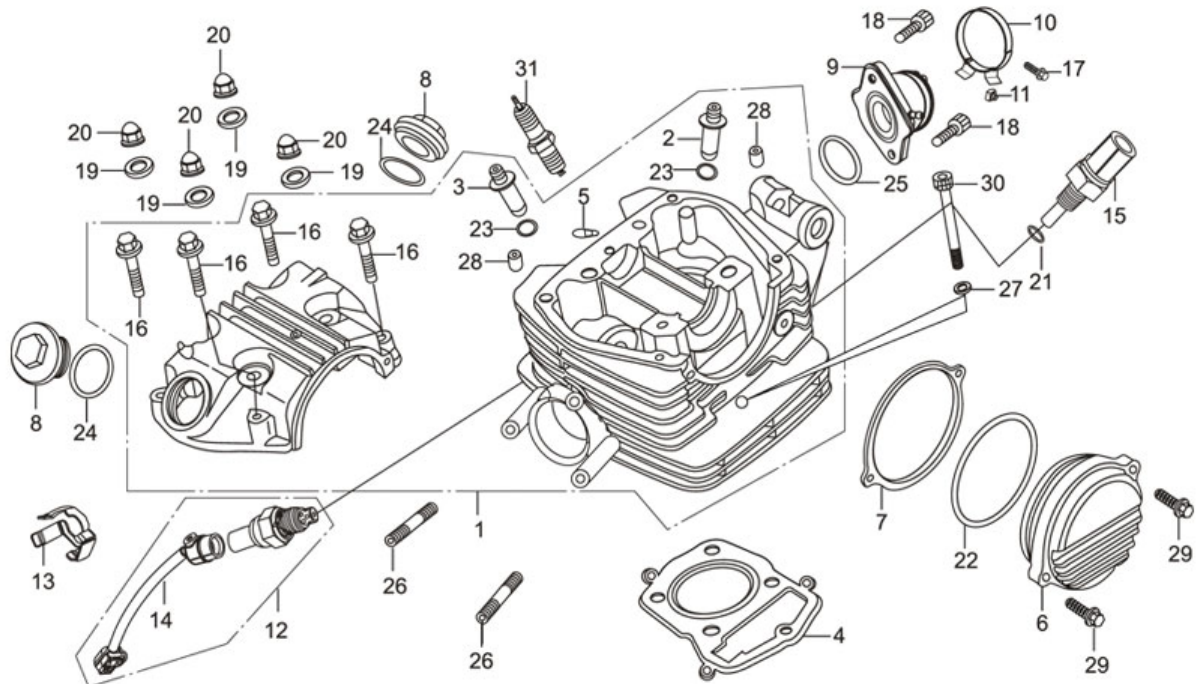


# **PARTS CATALOGUE**

**Karizma ZMR (July, 2012)**

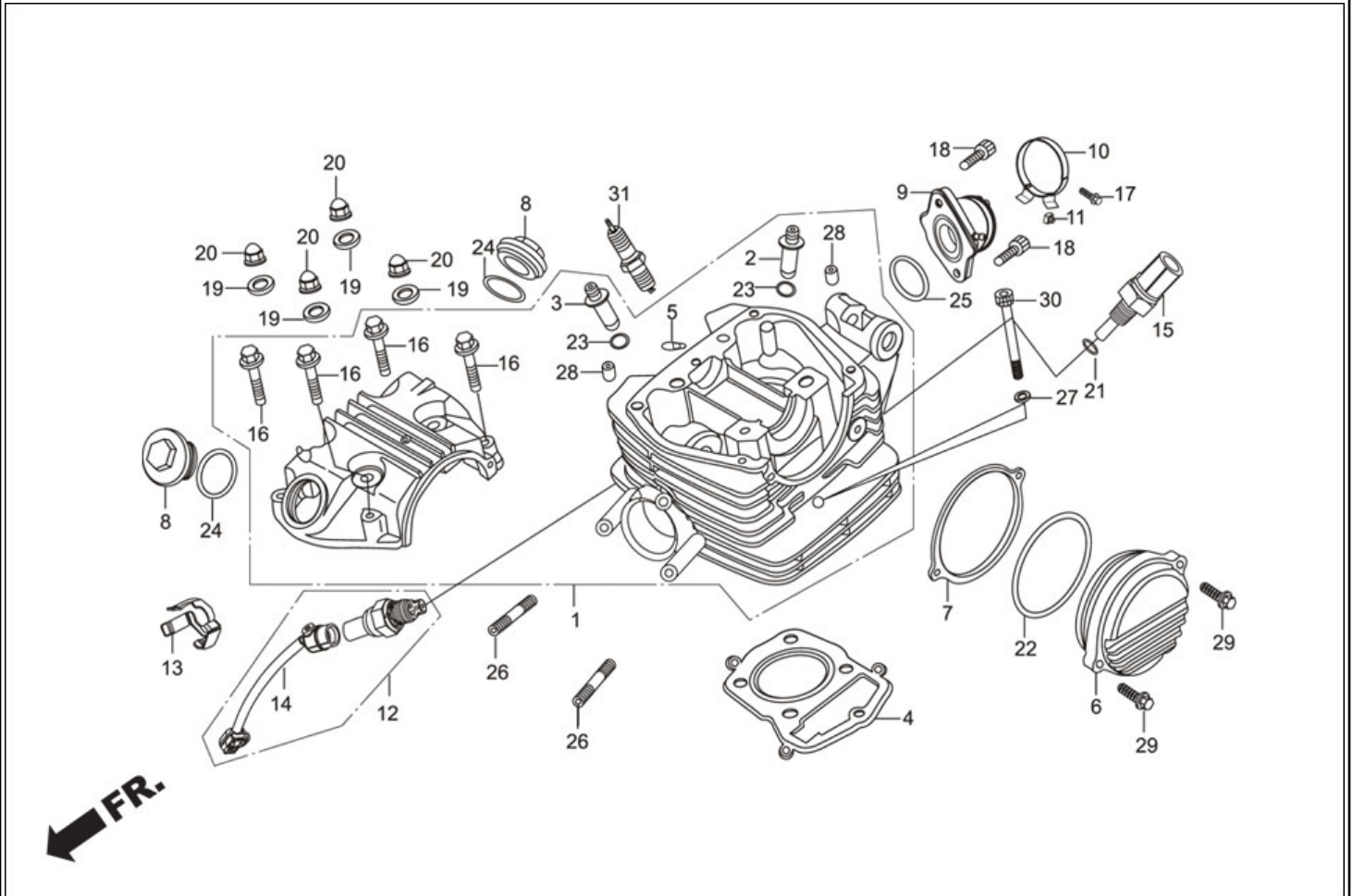
## E-1 : CYLINDER HEAD COVER



**Group Number:** E-1 **Model ::** Karizma ZMR (July, 2012)

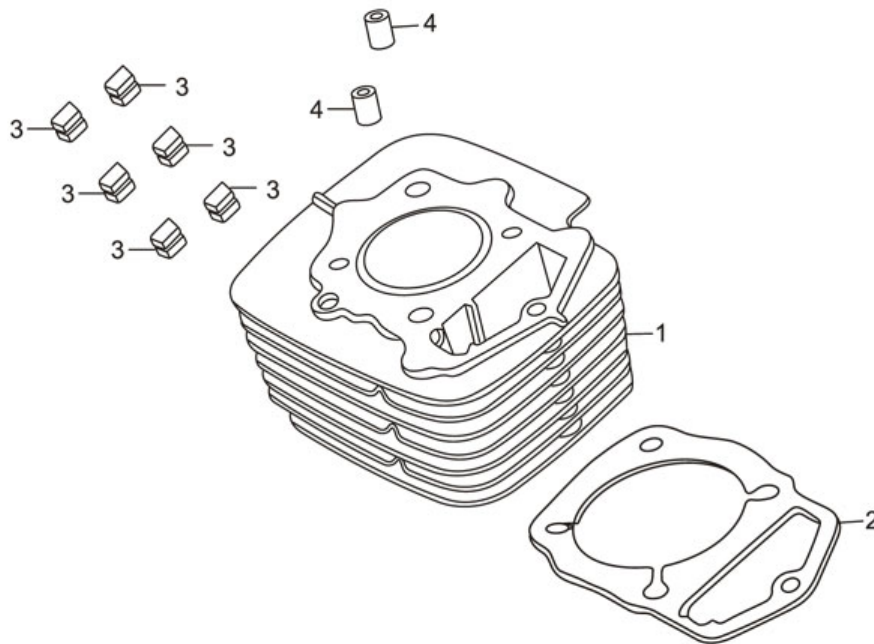
Ref No.	Part Number	Description	Req.
1	12000-KRY-971	HEAD ASSY CYLINDER.	1
2	12204-439-305	GUIDE, INLET VALVE(OVER SIZE)	1
3	12206-KCN-305	GUIDE, EXHAUST VALVE(OVER SIZE)	1
4	12251-KT0-711	GASKET, CYLINDER HEAD	1
5	12271-383-000	RUBBER, OIL SEAL	1
6	12331-KRY-960	COVER LEFT CYLINDER HEAD	1
7	12339-KT0-711	GASKET, PLUSE GEN BASE	1
8	12361-KEZ-900	HOLE CAP, TAPPET ADJUSTING	2
9	16210-KRY-971	INSULATOR COMP.THROTTLE BODY	1
10	16221-KRY-970	BAND	1
11	16222-KSP-910	NUT, SQUARE, 5 MM	1
12	36532-KRY-971	SENSOR OXYGEN	1
14	36533-KRY-970	CORD COMP. OXYGEN SENSOR	1
13	36538-KWF-940	COVER O2 SENSOR	1
15	37750-KPH-701	SENSOR ASSY. T-OIL	1
16	90004-GHB-700	BOLT, FLANGE, NSHF, 6X35	4
17	90006-MEE-000	BOLT RECESSED 5 X 30	1
18	90091-MM5-640	BOLT, FLANGE, SOCKET, 6 X 22	2
19	90442-028-000	WASHER, SEALING, 8 MM	4
20	90443-107-000	NUT, CAP, 8 MM	4
21	90443-MB0-000	WASHER SEALING, 10MM	1
22	91301-107-000	O-RING, 75X2.5	1
23	91301-200-000	O-RING, 10 X 1.6	2
24	91303-KCS-920	O-RING, 35X3	2

## E-1 : CYLINDER HEAD COVER



25	91304-KRM-840	O-RING 33.5 X 3.0	1
26	92900-08025-0E	BOLT STUD 2,8X25	2
27	94101-06000	WASHER, PLAIN, 6 MM	1
28	94301-08140	DOWEL PIN, 8X14	2
29	96001-06025-00	BOLT, FLANGE, SH. 6 X 25	2
30	96700-06125-00	SOCKET, BOLT, 6 X 125	1
31	98069-57916-03	SPARK, PLUG (DPR7EA-9)	1
	31918-HM5-630	SPARK PLUG	1

## E-2 : CYLINDER

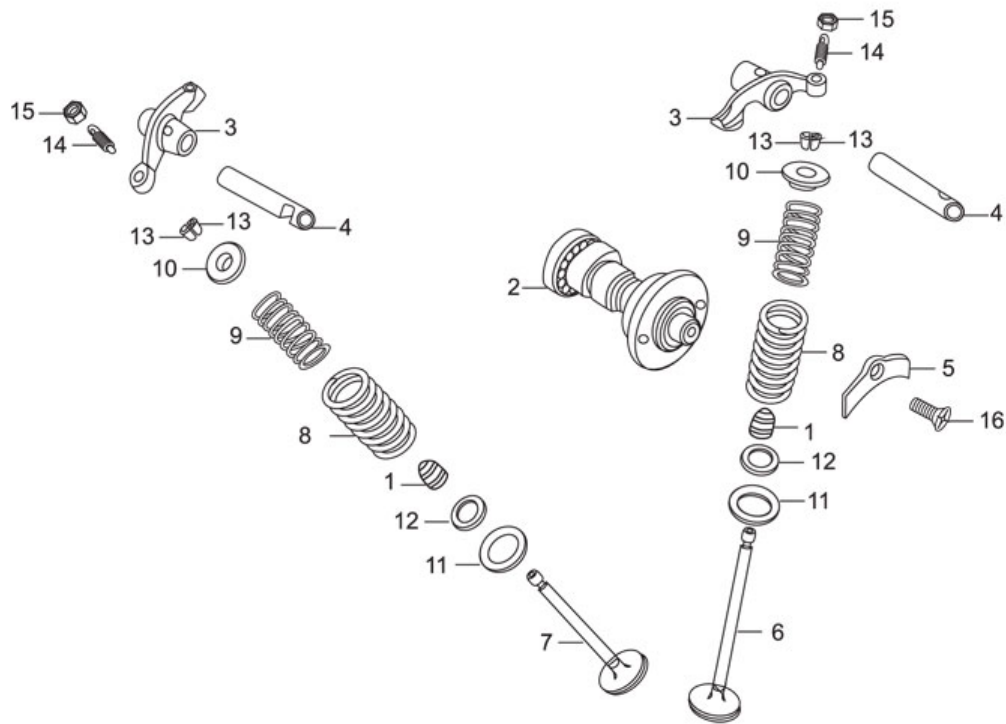


**FR.**

**Group Number: E-2 Model :: Karizma ZMR (July, 2012)**

Ref No.	Part Number	Description	Req.
1	12100-KRY-960	CYLINDER COMP.,	1
2	12191-KCN-010	GASKET, CYLINDER	1
3	12195-KRC-920	RUBBER, INSERT	6
4	94301-10200	DOWEL PIN, 10X20	2

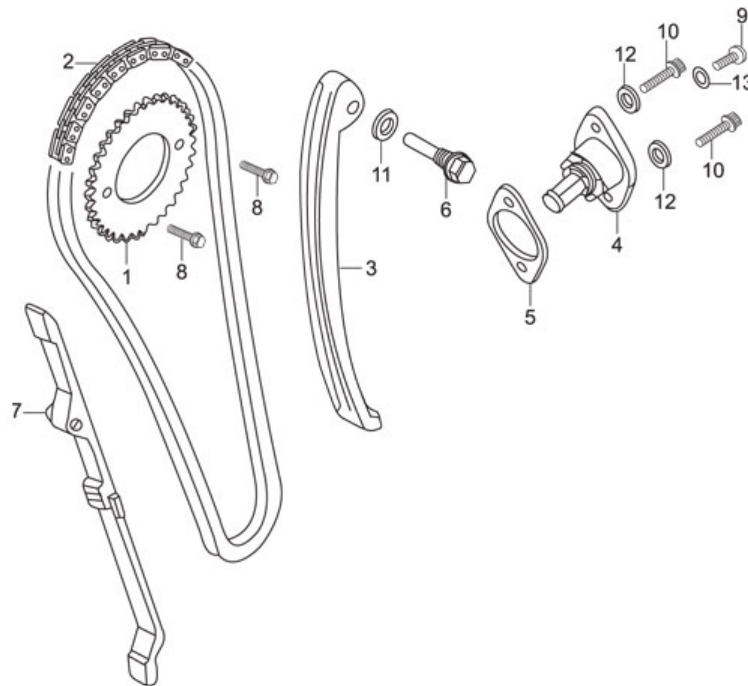
### E-3 : CAM SHAFT / VALVE



Group Number: E-3 Model :: Karizma ZMR (July, 2012)

Ref No.	Part Number	Description	Req.
1	12208-KCS-920	SEAL, VALVE STEM	2
2	14100-KRY-900	CAM SHAFT COMP.	1
3	14431-KEH-900R	ARM, VALVE ROCKER	2
4	14451-437-000	SHAFT, ROCKER ARM	2
5	14456-KG2-950	SET PLATE, ROCKER ARM	1
6	14711-KBB-900	VALVE, INLET	1
7	14721-KBB-900	VALVE, EXHAUST	1
8	14751-KEH-910	SPRING, VALVE OUTER	2
9	14761-KEH-910	SPRING, VALVE INNER	2
10	14771-107-020	RETAINER, VALVE SPRING	2
11	14775-107-000	SEAT, VALVE SPRING OUTER	2
12	14776-107-010	SEAT, VALVE SPRING INNER	2
13	14781-HA0-770	COTTER, VALVE	4
14	90012-KN6-930L	SCREW, TAPPET ADJUSTING	2
15	90206-250-000	NUT, TAPPET ADJUSTING	2
16	93600-06016-0A	SCREW, FLAT, 6X16	1

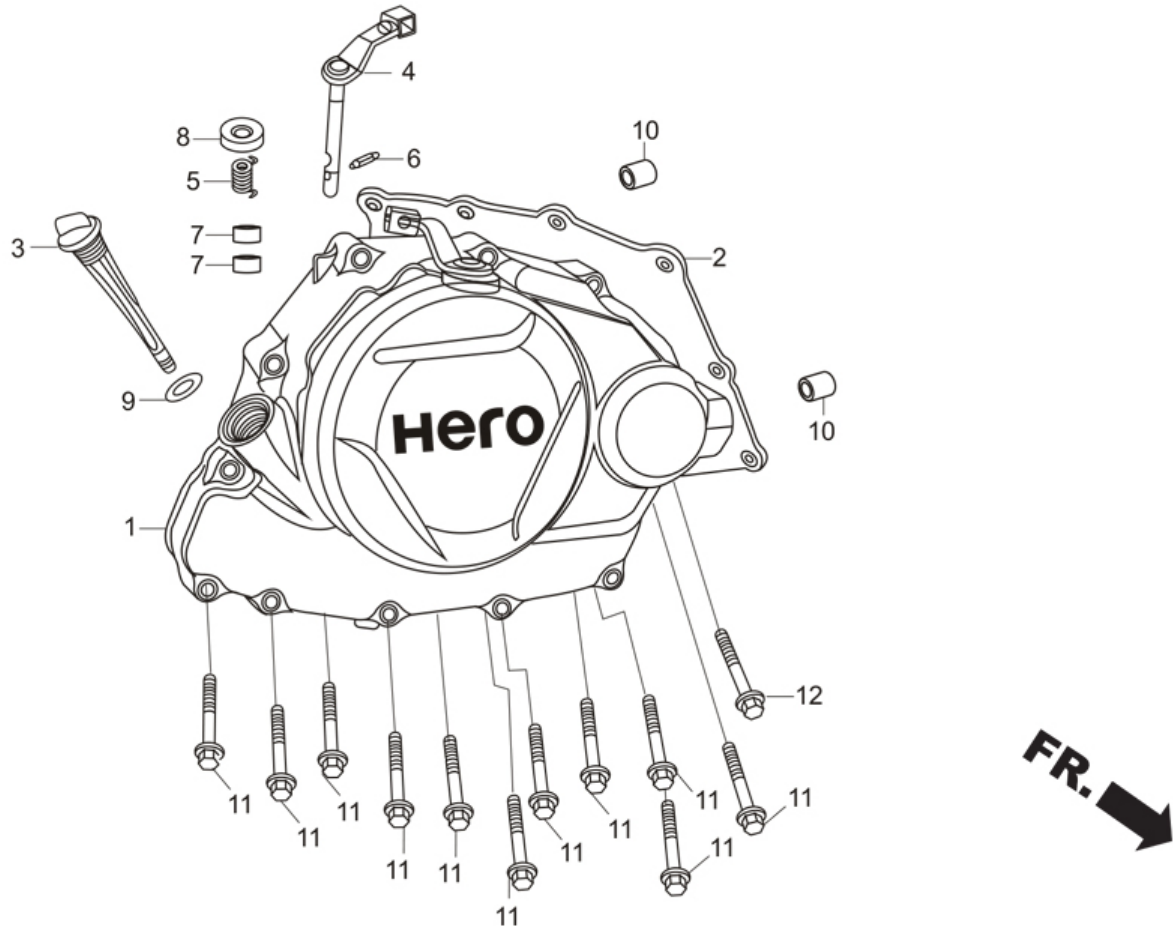
## E-4 : CAM CHAIN TENSIONER



**Group Number:** E-4 Model :: Karizma ZMR (July, 2012)

Ref No.	Part Number	Description	Req.
1	14321-KRY-970	SPROCKET CAM	1
2	14401-KFB-751	CHAIN, CAM	1
3	14500-KBB-900	TENSIONER, CAM CHAIN	1
4	14520-KRY-971	LIFTER ASSY., TENSIONER (PRICOL)	1
5	14523-KEH-910	GASKET, TENSIONER LIFTER	1
6	14535-437-000	BOLT, TENSIONER PIVOT	1
7	14550-KFB-000	GUIDE, CAM CHAIN	1
8	90002-KW1-900	BOLT, FLANGE, 6X10	2
9	90005-KY7-000	SCREW, PAN, 6X6	1
10	90071-MG8-000	BOLT, FLANGE, SOCKET 6X16	2
11	90475-703-000	WASHER, C 8 MM	1
12	90488-425-000	WASHER, SEALING 6 MM	2
13	91306-MG3-000	O- RING, 1.5X9.5	1

## E-5 : RIGHT CRANK CASE COVER

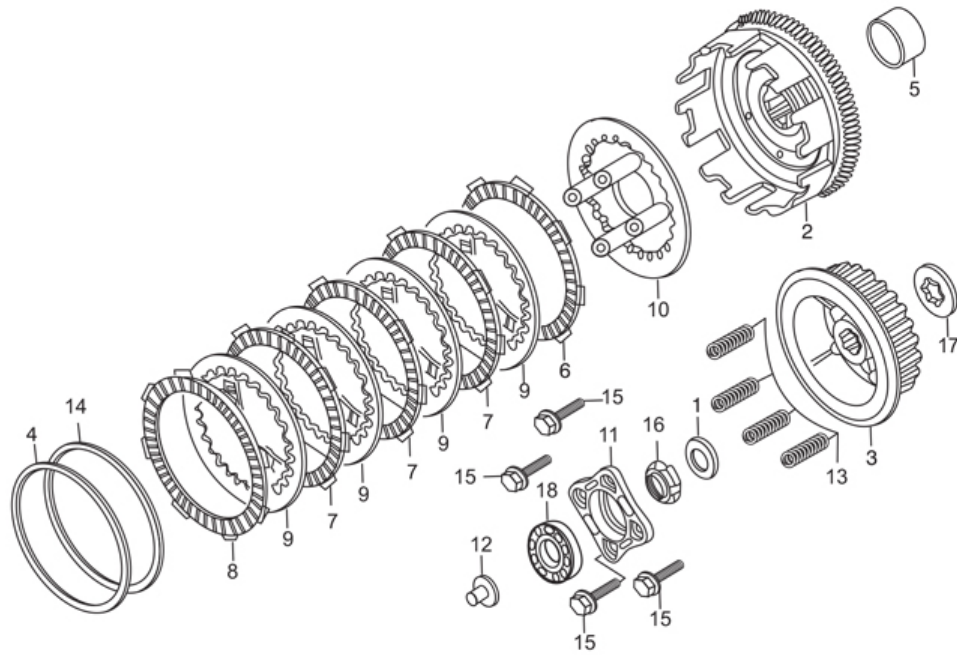


**Group Number:** E-5 Model :: Karizma ZMR (July, 2012)

Ref No.	Part Number	Description	Req.
1	11330-AAR-H00	COVER COMP R CRANK CASE	1
2	11393-KCN-010	GASKET, R COVER	1
3	15650-KRY-970	GAUGE OIL LEVEL	1
4	22810-KBB-900	LEVER COMP., CLUTCH	1
5	22815-428-000	SPRING, CLUTCH LEVER	1
6	90701-KFN-850	PIN, SPRING, 3 X 10	1
7	91053-719-005	BRG.,NEEDLE,12X16X10	2
8	91201-KEH-910	OIL SEAL, 12 X 22 X 5	1
9	91307-KRM-840	O-RING, 18 X 3	1
10	94301-08140	DOWEL PIN, 8X14	2
11	96001-06040-00	BOLT, FLANGE, SH. 6 X 40	11
12	96001-06050-00	BOLT, FLANGE, SH. 6 X 50	1



## E-6 : CLUTCH

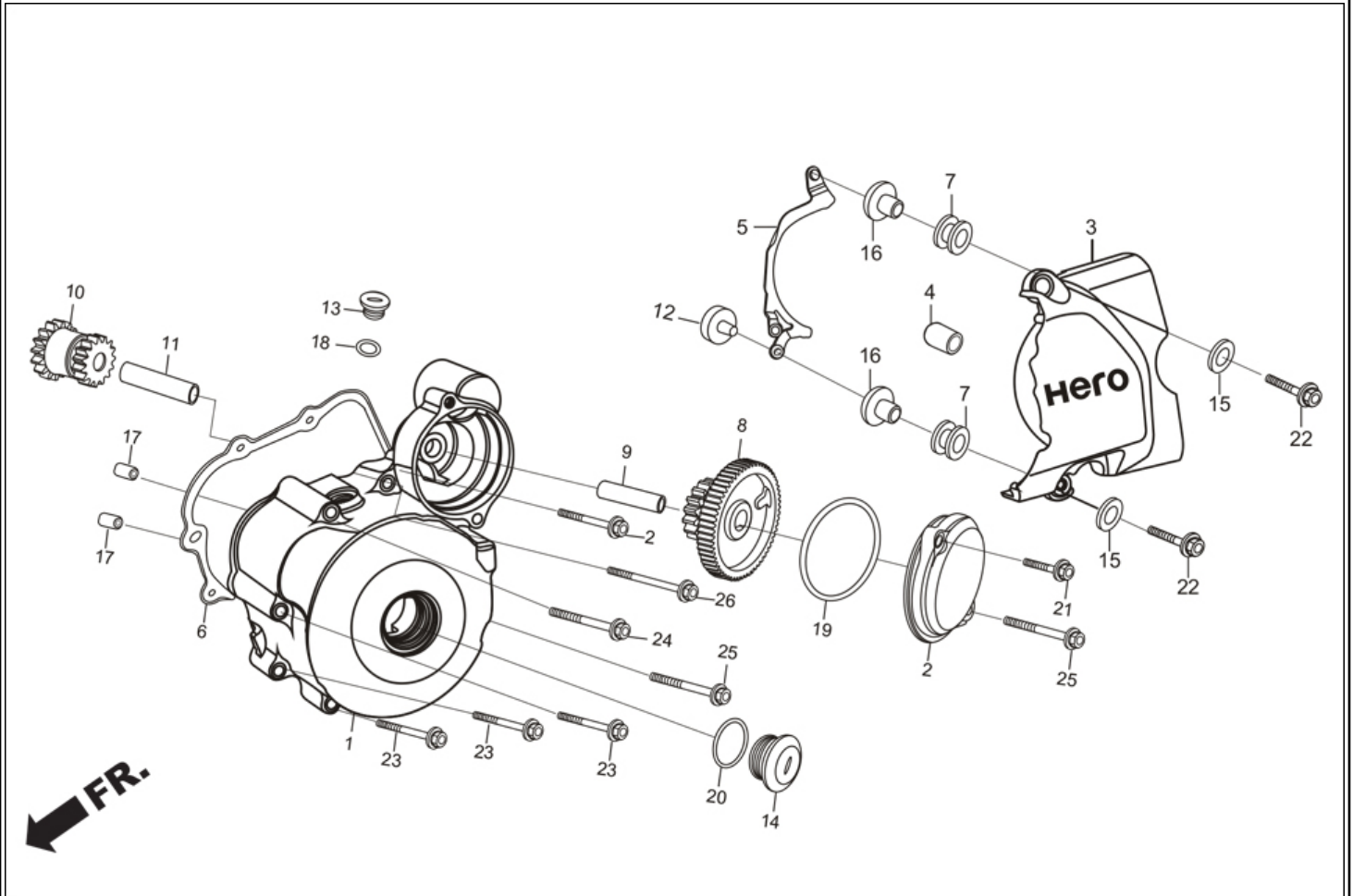


**Group Number:** E-6 Model :: Karizma ZMR (July, 2012)

Ref No.	Part Number	Description	Req.
1	15451-KRY-970	WASHER LOCK 16MM	1
2	22100-KRY-900R	OUTER COMP,CLUTCH	1
3	22121-KPK-900	CENTER COMP,CLUTCH	1
4	22125-KW7-900	SEAT, JUDDER SPRING	1
5	22131-KPM-850	GUIDE,CLUTCH OUTER	1
6	22201-KBW-900	DISC,CLUTCH FRICTION	1
7	22201-KPM-850	DISK,CLUTCH FRICTION,4 X 8 X 45	3
8	22201-MJ8-000	DISC, CLUTCH FRICTION	1
9	22321-KE8-000	PLATE,CLUTCH	4
10	22355-KPK-900	PLATE,CLUTCH PRESSURE	1
11	22361-KPK-900	PLATE,CLUTCH LIFTER	1
12	22366-KFB-000	ROD,CLUTCH LIFTER	1
13	22401-KRY-900	SPRING,CLUTCH	4
14	22402-KPM-850	SPRING,JUDDER	1
15	90050-357-000	SPECIAL BOLT, FLANGE, 6X22	4
16	90231-KB5-720	NUT, LOCK, 16 MM	1
17	90461-KPK-900	WASHER,20 MM	1
18	91008-KK6-000	BEARING, BALL RADIAL 16003	1



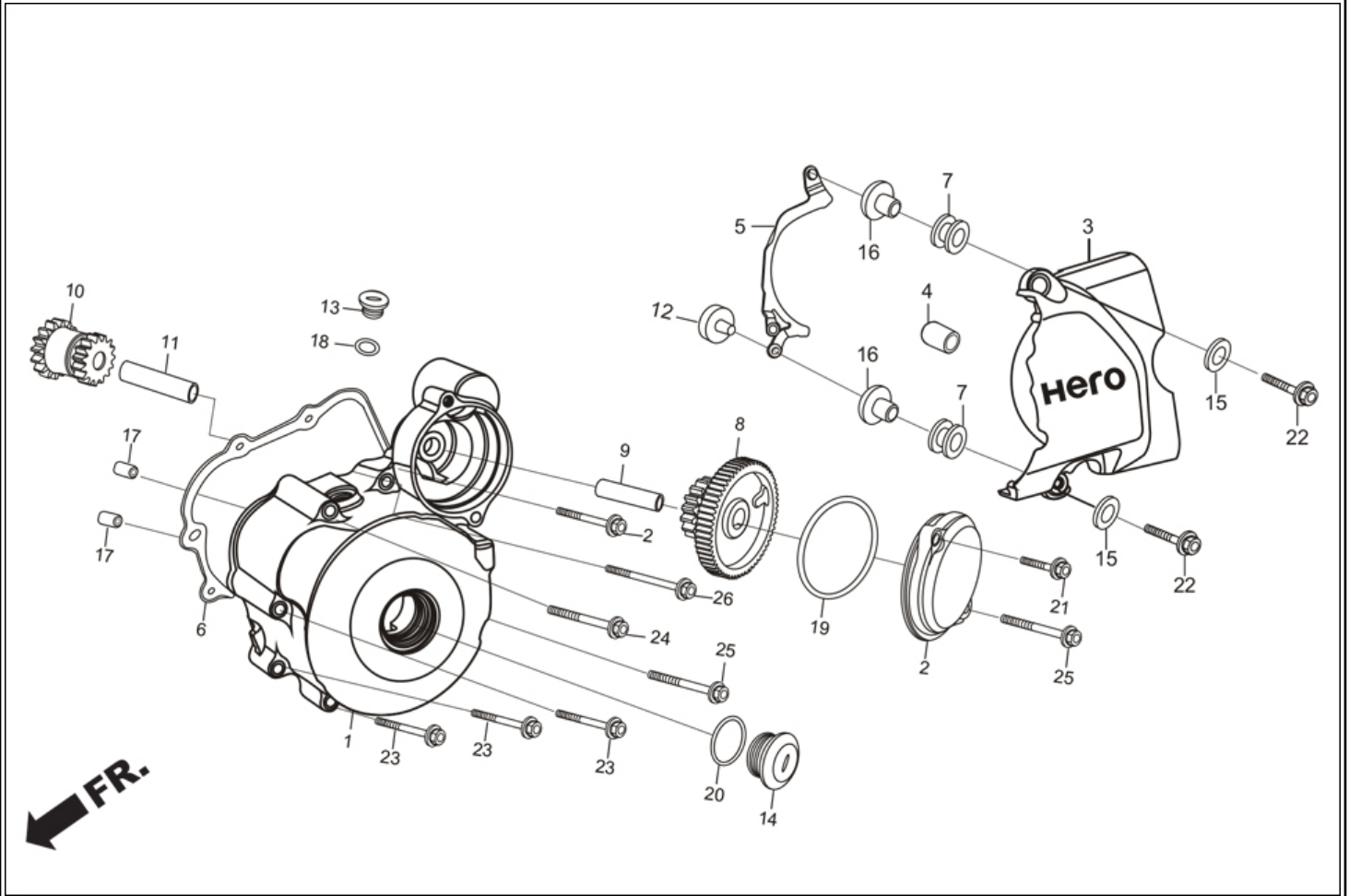
## E-7 : LEFT CRANK CASE COVER



**Group Number:** E-7 Model :: Karizma ZMR (July, 2012)

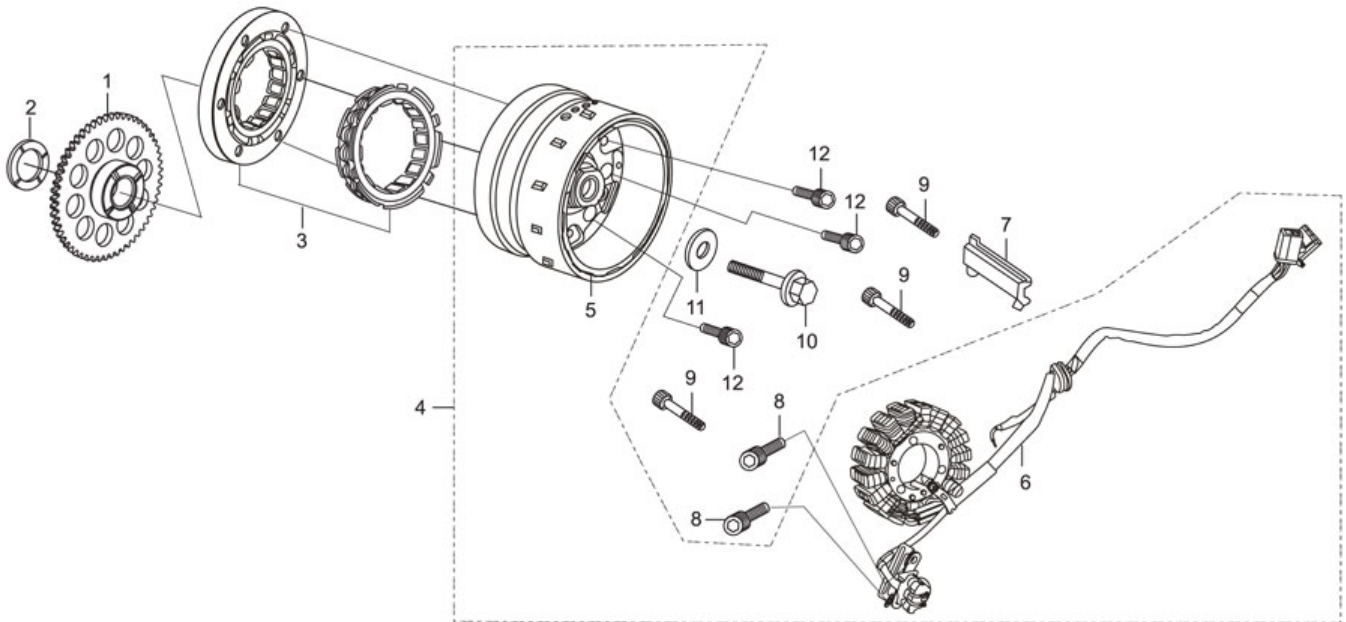
Ref No.	Part Number	Description	Req.
1	11341-KRY-970	COVER, LEFT CRANK CASE	1
2	11355-KRY-970	COVER , REDUCTION GEAR	1
3	11361-AAR-H00	COVER LEFT REAR CRANK CASE	1
4	11363-437-620	RUBBER, REAR COVER MOUNT	1
5	11370-KRY-900A	GUIDE COMP., DRIVE CHAIN	1
6	11395-KCN-010	GASKET, L COVER	1
7	17622-GB7-900	RUBBER, CUSHION	2
8	28130-KFB-000	GEAR, REDUCTION	1
9	28132-KN6-930	SHAFT, REDUCTION GEAR	1
10	28140-KFB-000	GEAR, IDLE (16T)	1
11	28142-KW1-900	SHAFT, IDLE GEAR	1
12	35752-KRY-900A	RUBBER, NEUTRAL SW.	1
13	90084-KRY-970	CAP 14MM	1
14	90087-KRY-970	CAP 30MM	1
15	90417-041-000	WASHER, GEAR SHIFT DRUM SIDE	2
16	90502-KEZ-900	COLLAR, RUBBER CUSHION	2
17	90703-HC4-000	DOWEL PIN, 10X14	2
18	91303-377-000	O-RING, 13.8 X 2.5	1
19	91304-MZ0-760	O RING 63X3	1
20	91356-KEH-910	O-RING, 30 MM	1
21	96001-06020-00	BOLT, FLANGE, SH. 6 X 20	1
22	96001-06028-00	BOLT, FLANGE, SH. 6X28	2
23	96001-06040-00	BOLT, FLANGE, SH. 6 X 40	4
24	96001-06060-00	BOLT, FLANGE, SH. 6 X 60	1

## E-7 : LEFT CRANK CASE COVER



25	96001-06070-00	BOLT, FLANGE, SH., 6X70	2
26	96001-06080-00	BOLT, FLANGE, SH. 6 X 80	1

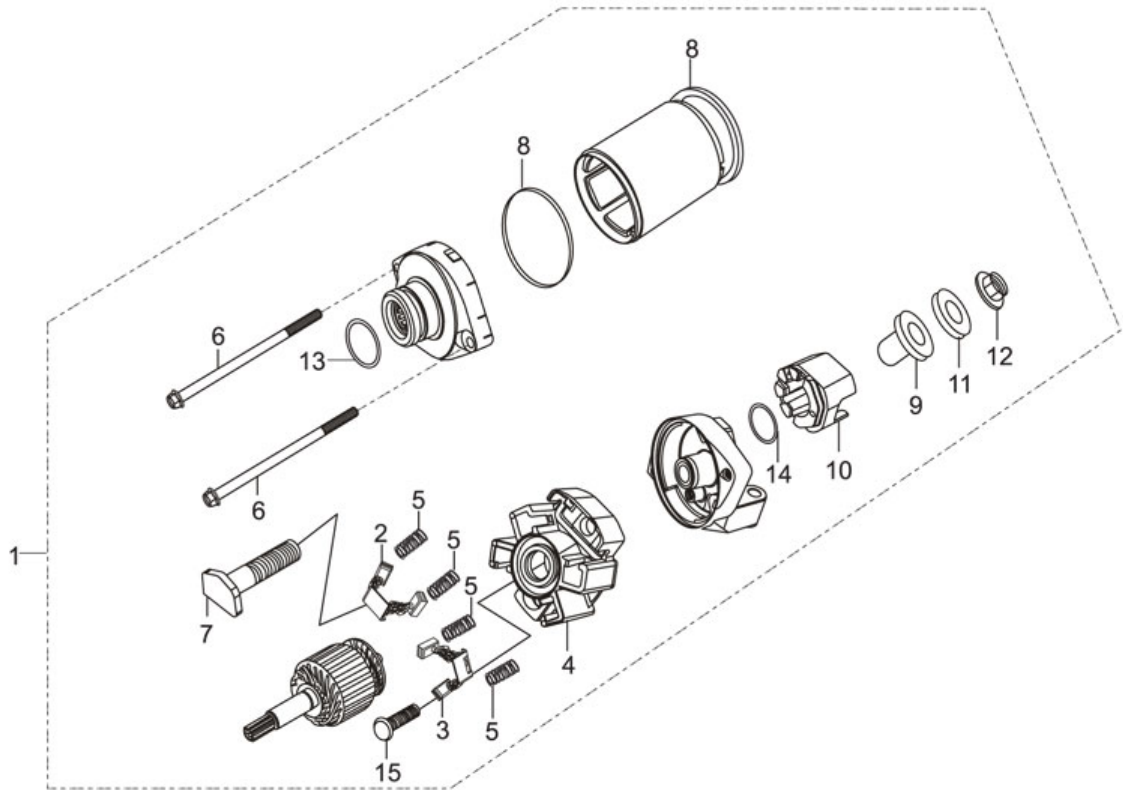
## E-7A : A.C. GEN. FLYWHEEL



**Group Number:** E-7A Model :: Karizma ZMR (July, 2012)

Ref No.	Part Number	Description	Req.
1	28110-KEW-900	GEAR COMP., STARTER DRIVEN	1
2	28114-KN6-930	COLLAR, STARTER DRIVEN GEAR	1
3	28125-KFC-791L	OUTER COMP., STARTING CLUTCH	1
4	31100-KRY-971	AC GEN FLYWHEEL	1
5	31110-KRY-971	FLYWHEEL COMP.	1
6	31120-KRY-971	STATOR COMP.	1
7	32975-KRY-970	GUIDE ACG CORD	1
8	90089-KAS-900	BOLT, FLANGE SOCKET, 5X14	2
9	90092-KE5-000	BOLT, STOPPER TENSIONER SHAFT	3
10	90101-AAP-000	BOLT, FLANGE, 10 X 65	1
11	90403-KN6-930	WASHER, 10X24	1
12	96700-06032-10	BOLT, SOCKET, 6X32	6

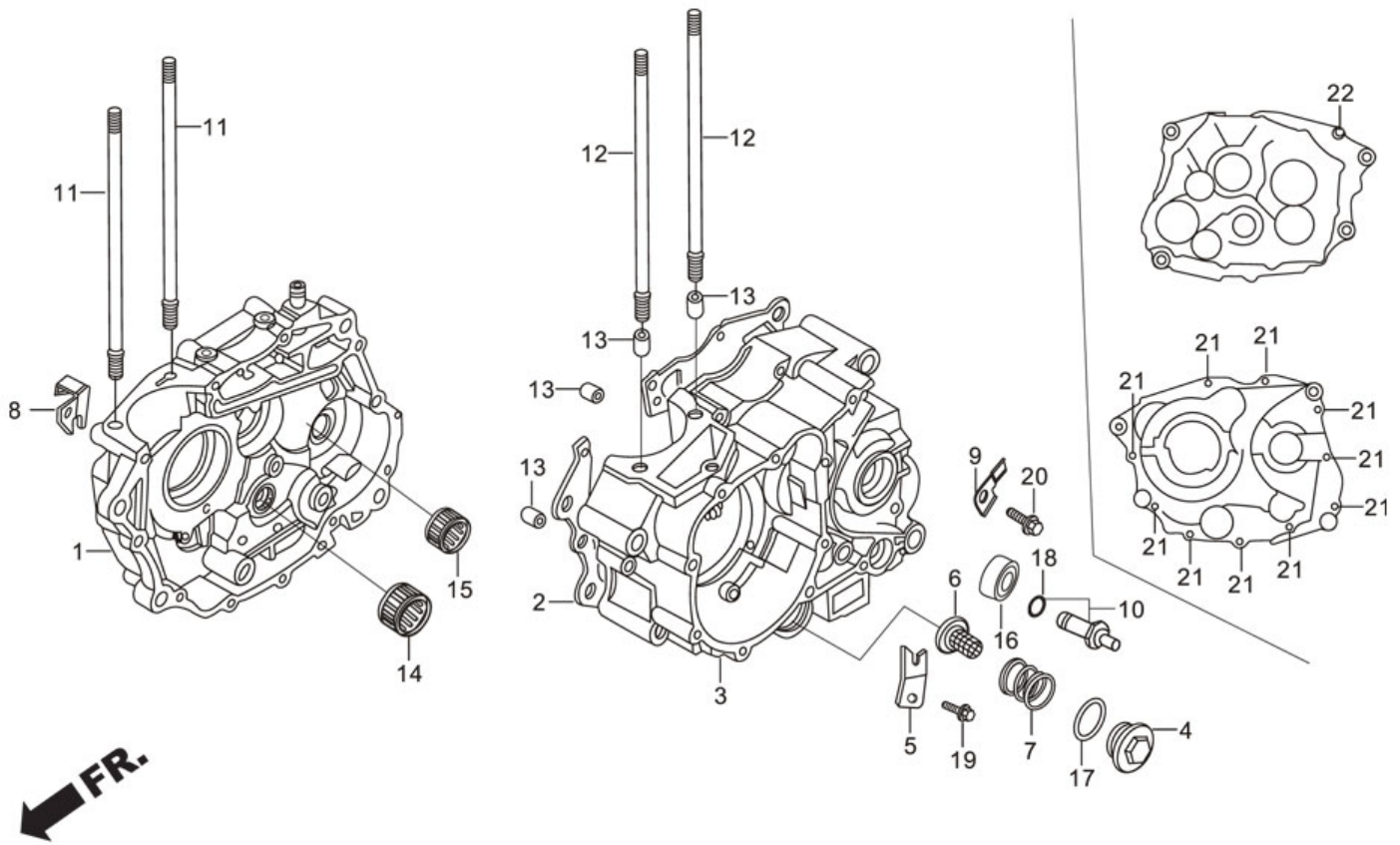
## E-7B : STARTER MOTOR



**Group Number:** E-7B Model :: Karizma ZMR (July, 2012)

Ref No.	Part Number	Description	Req.
1	31200-KPS-A11	MOTOR ASSY STARTER	1
2	31201-MEW-921	CARBON BRUSH SET A	1
3	31202-MEW-921	CARBON BRUSH SET B	1
4	31203-MEW-921	BRUSH HOLDER	1
5	31204-MEW-921	SPRING CARBON BRUSH	4
6	31205-HP5-601	BOLT SET	2
7	31206-MEW-921	TERMINAL BOLT	1
8	31207-HP5-601	RING	2
9	31208-MEW-921	INSULATOR	1
10	31209-MEW-921	TERMINAL STOPPER	1
11	31210-MEW-921	WASHER	1
12	90071-MB0-000	NUT, WASHER, 6 MM	1
13	91309-425-003	O RING 24.4X3.1	1
14	91320-MB0-000	O RING	1
15	93892-05012-08	SCREW WASH 5X12	1

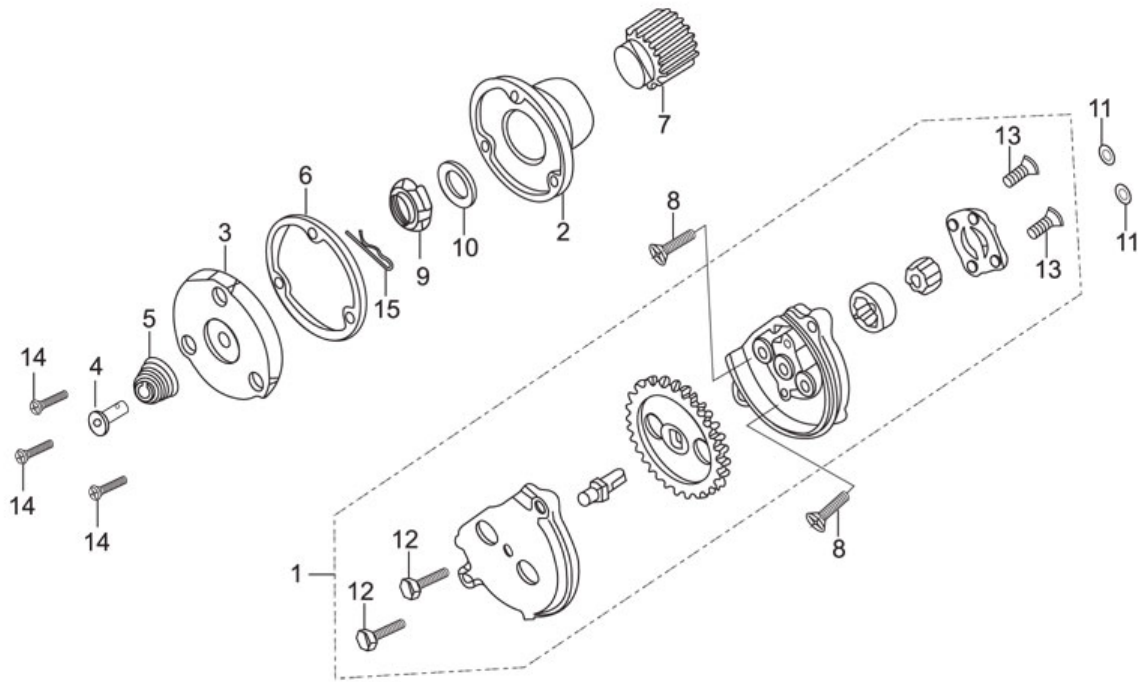
## E-8 : CRANK CASE



**Group Number:** E-8 Model :: Karizma ZMR (July, 2012)

Ref No.	Part Number	Description	Req.
1	11100-KRY-970	CRANK CASE COMP. RIGHT	1
2	11191-KCN-010	GASKET, CRANK CASE	1
3	11200-KRY-960	CRANK CASE COMP., LEFT	1
4	12361-KEZ-900	HOLE CAP, TAPPET ADJUSTING	1
5	14513-KBB-900	PLATE, CAM CHAIN SET	1
6	15421-107-000	SCREEN, OIL FILTER	1
7	15426-107-000	SPRING, OIL FILTER SCREEN	1
8	22838-437-000	HOLDER, CLUTCH WIRE	1
9	32976-KCT-690	CLAMPER, WIRE HARNESS	1
10	35750-KCS-920	CONTACT, NEUTRAL SWITCH	1
11	90031-KFB-000L	BOLT, A STUD CYLINDER	2
12	90032-KFB-000	BOLT B STUD CYLINDER	2
13	90703-HC4-000	DOWEL PIN, 10X14	4
14	91008-KCS-920	BEARING, NEEDLE, 21 MM	1
15	91106-KCS-920	BEARING, NEEDLE, 15 MM	1
16	91206-KCS-920	OIL SEAL, 14X28X4.	1
17	91303-KCS-920	O-RING, 35X3	1
18	91312-107-000	O -RING, 7 X 1.7	1
19	95701-06012-00	BOLT, FLANGE, 6X12	1
20	96001-06014-00	BOLT, FLANGE, SH. 6 X 14	1
21	96001-06050-00	BOLT, FLANGE, SH. 6 X 50	10
22	96001-06060-00	BOLT, FLANGE, SH. 6 X 60	1

## E-8A : OIL PUMP

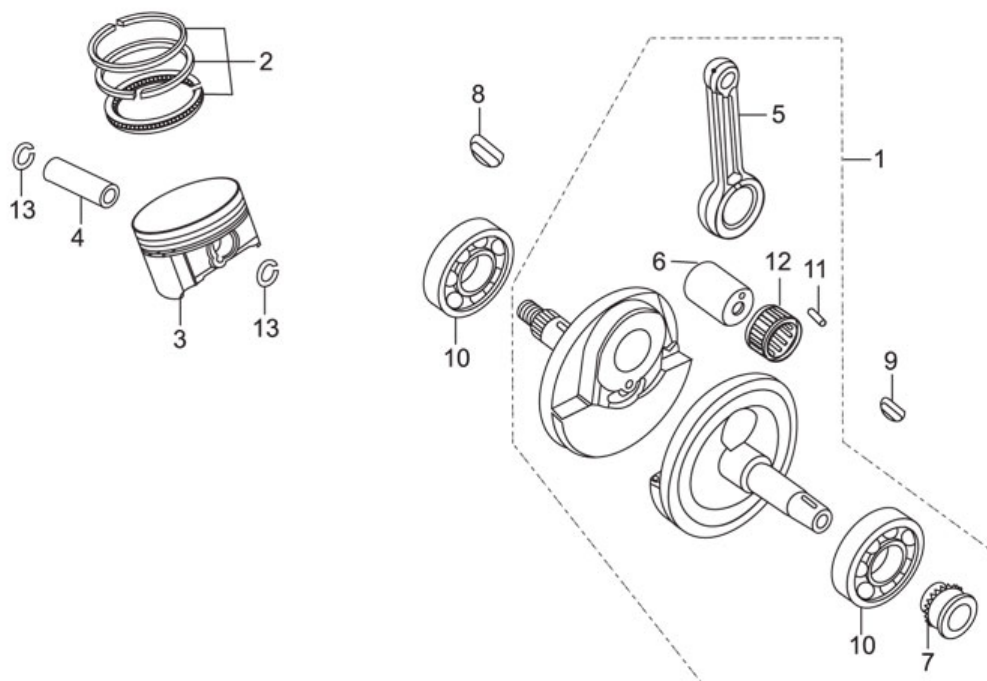


**Group Number:** E-8A Model :: Karizma ZMR (July, 2012)

Ref No.	Part Number	Description	Req.
1	15100-AAR-101	OIL PUMP ASSY	1
2	15430-440-030	ROTOR COMP., OIL FILTER	1
3	15436-107-000	CAP, OIL FILTER ROTOR	1
4	15441-KCS-650	OIL, THROUGH	1
5	15446-107-000	SPRING, OIL THROUGH	1
6	15459-KWK-900	GASKET ,OIL FILTER CAP	1
7	23121-KBB-900	GEAR, PRIMARY DRIVE (22T)	1
8	90101-440-000	SCREW, FLAT, 6X30	2
9	90231-KCS-920	NUT, LOCK, 16 MM	1
10	90434-KN6-930	WASHER, 16 MM	1
11	91304-KK3-830	O-RING, 9.4X2.4	2
12	92101-05020-0A	BOLT, HEX., 5X20	2
13	93600-04012-0A	SCREW, FLAT, 4X12	2
14	93700-05012-0A	SCREW, OVAL, 5X12	3
15	94251-08000	PIN LOCK, 8 MM	1



## E-9 : CRANK SHAFT / PISTON

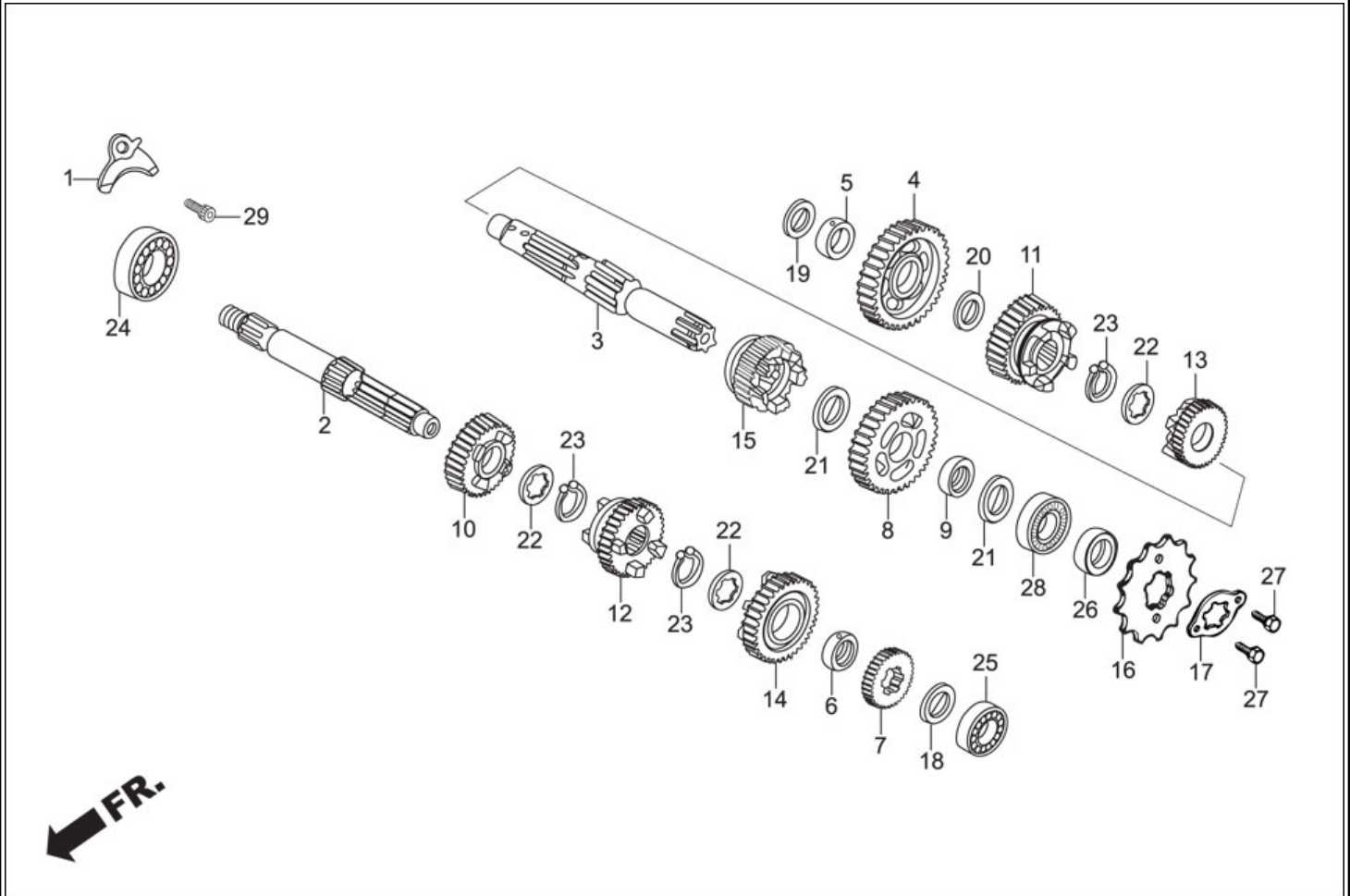


**Group Number:** E-9 Model :: Karizma ZMR (July, 2012)

Ref No.	Part Number	Description	Req.
1	13000-KRY-903	CRANK SHAFT,COMP	1
2	13011-KRY-900	RING SET,PISTON(STD)	1
3	13101-KRY-901	PISTON(STD)	1
4	13111-440-000	PIN, PISTON	1
5	13201-KFB-300	ROD CONNECTING	1
6	13380-KCN-300	PIN COMP,CRANK	1
7	14311-KN6-931L	SPROCKET, TIMING	1
8	90471-KW1-900	KEY,WOODRUFF,25 X 18	1
9	90741-KFB-000	KEY,WOODRUFF,4 MM	1
10	91001-KCN-003	BRG. BALL RADIAL, 28 X 72 X 18	2
11	91102-KC6-003	ROLLER,4 X 14.8 A	18
	91103-KC6-003	ROLLER, 4 X 14.8 B	18
	91104-KC6-003	ROLLER, 4 X 14.8 C	18
12	91105-KW3-003	RETAINER, CONROD L END	1
13	94601-15000	CLIP,PISTON PIN,15 MM	2



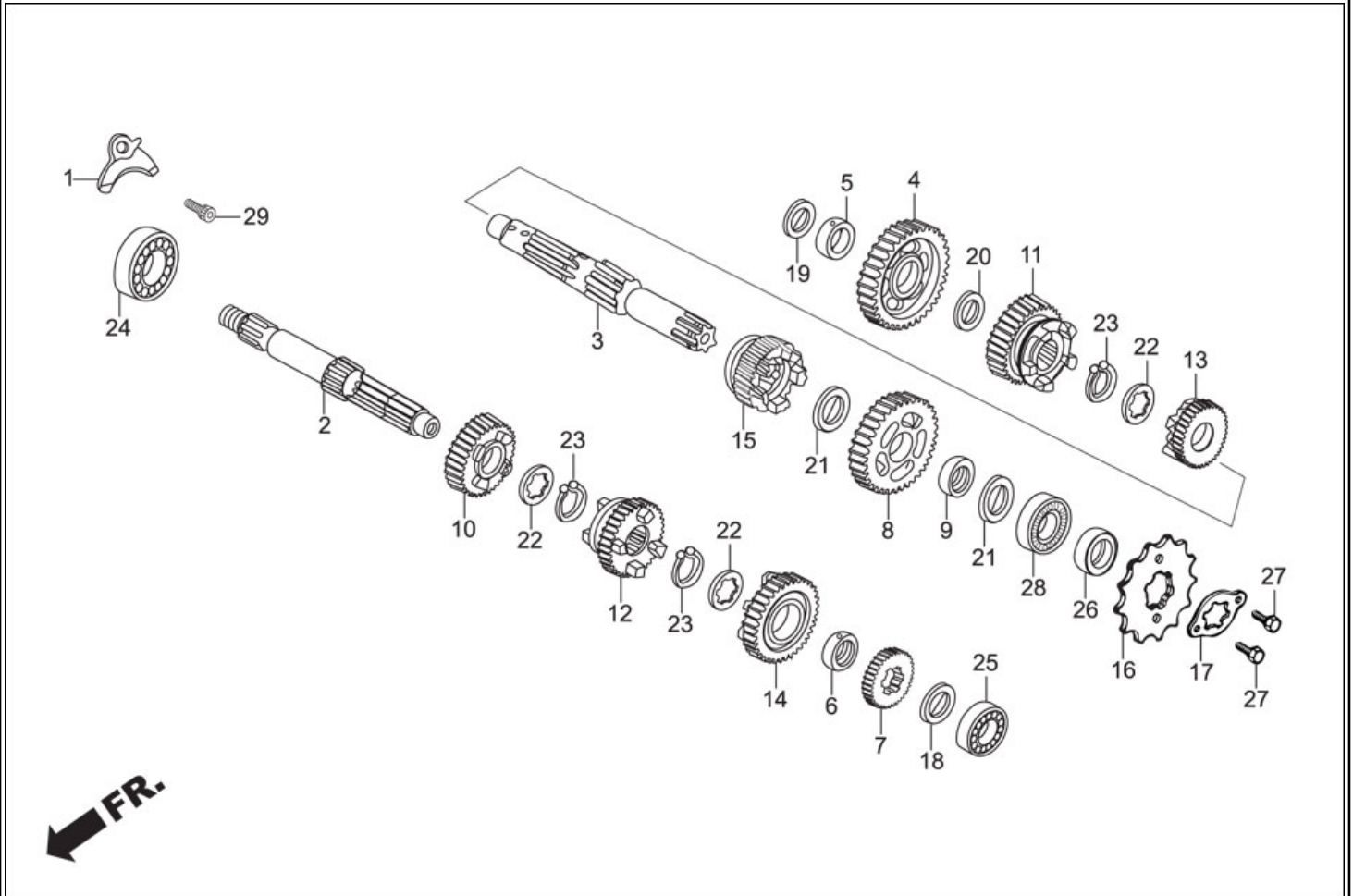
## E-10 : TRANSMISSION (MAIN SHAFT / COUNTER SHAFT & GEARS)



**Group Number:** E-10 Model :: Karizma ZMR (July, 2012)

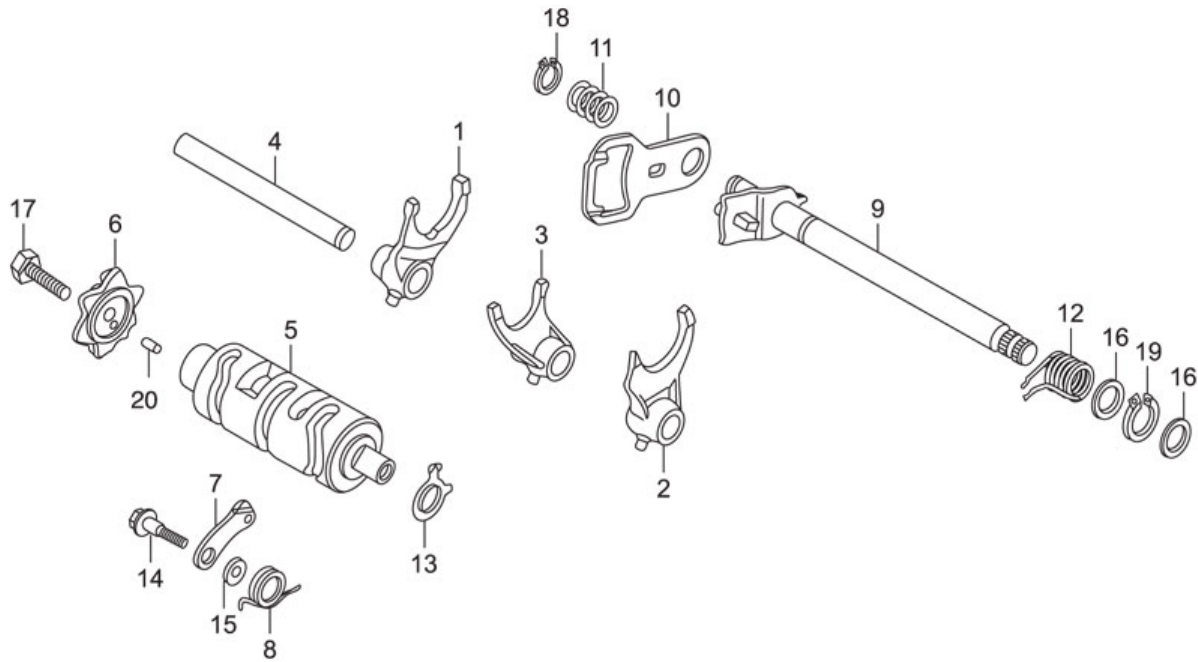
Ref No.	Part Number	Description	Req.
1	11108-KHA-940	PLATE BEARING SET	1
2	23211-KHA-940	SHAFT, MAIN TRANSMISSION	1
3	23221-KRY-900	SHAFT, COUNTER TRANSMISSION	1
4	23426-KBB-900	GEAR C1 ( 36T )	1
5	23427-KW1-900	BUSH, 16.5 X 19.5 X 9	1
6	23431-KRY-900	BUSH, 20 MM	1
7	23441-KBB-900	GEAR, M2 (18T )	1
8	23451-KRY-970	GEAR C-2 (31T)	1
9	23452-KW1-900	BUSH 20X23X9	1
10	23461-KBB-900	GEAR , M3 ( 19T )	1
11	23471-KBB-900	GEAR, C3 (24 T )	1
12	23481-KBB-900	GEAR , M4 ( 22 T )	1
13	23491-KBB-900	GEAR, C4 ( 22T )	1
14	23501-KRY-900	GEAR M5 (27 T )	1
15	23511-KRY-970	GEAR C-5 (22T)	1
16	23801-KRY-970	SPROCKET DRIVE 13T	1
17	23811-KR3-600	PLATE, A2 FIXING	1
18	90451-107-000	WASHER THRUST, 15MM	1
19	90451-365-000	WASHER THRUST, 15MM	1
20	90452-437-000	WASHER THRUST, 16.5 MM	1
21	90454-107-000	WASHER ,THRUST, 20MM	2
22	90455-107-000	WASHER A SPLINE, 20MM	3
23	90605-200-000	SET RING, 20MM	3
24	91005-KCN-003	BRG. BALL RADIAL, 20 X 55 X 11	1

## E-10 : TRANSMISSION (MAIN SHAFT / COUNTER SHAFT & GEARS)



25	91015-KEH-910	BEARING, BALL RADIAL, 6202U	1
26	91201-KCS-920	OIL SEAL, 20X34X7	1
27	92101-06010-0A	BOLT, HEX., 6 X 10	2
28	96100-62040-00	BEARING, BALL RADIAL, 6204	1
29	96600-08018-18	BOLT, SOCKET, 8 X 18	1

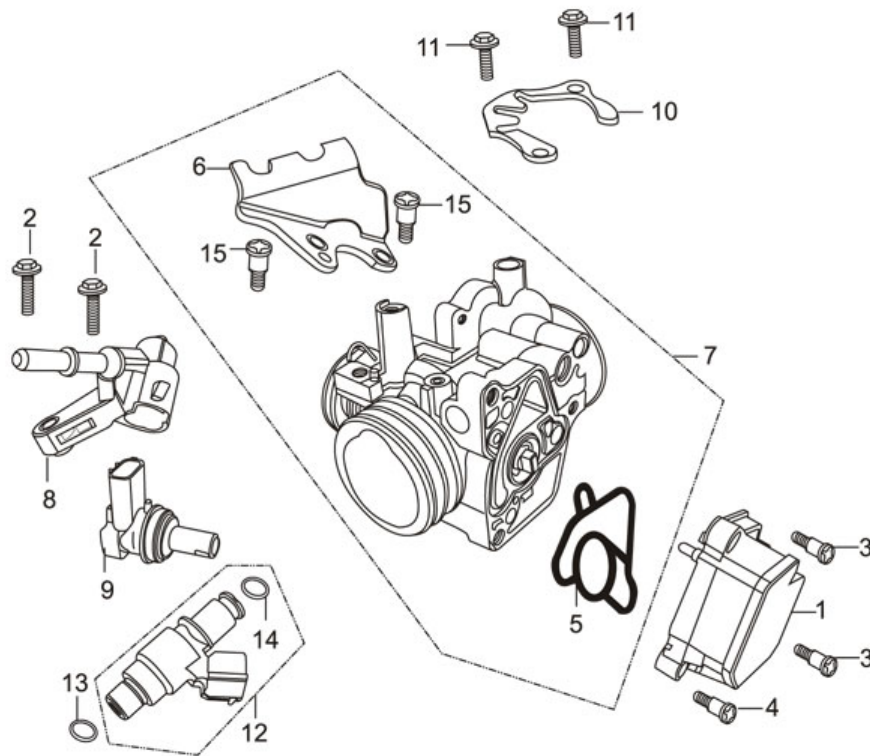
## E-12 : GEAR SHIFT DRUM



**Group Number:** E-12 Model :: Karizma ZMR (July, 2012)

Ref No.	Part Number	Description	Req.
1	24211-KW1-900	FORK RIGHT,GEAR SHIFT	1
2	24221-KBB-900	FORK LEFT, GEAR SHIFT	1
3	24231-KW1-900	FORK CENTER, GEAR SHIFT	1
4	24241-KCS-650	SHAFT, GEAR SHIFT FORK GUIDE	1
5	24301-KCN-000	DRUM, GEAR SHIFT	1
6	24411-KCN-000	CAM, GEAR SHIFT	1
7	24430-KW1-900	STOPPER COMP., GEAR SHIFT DRUM	1
8	24435-KCN-000	SPRING,SHIFT DRUM STOPPER	1
9	24610-KC6-000	SPINDLE COMP., GEAR SHIFT	1
10	24621-107-760	PLATE, GEAR SHIFT	1
11	24631-107-000	SPRING, GEAR SHIFT PLATE	1
12	24651-107-000	SPRING,GEAR SHIFT RETURN	1
13	35753-KCS-920	ROTOR, NEUTRAL SWITCH	1
14	90023-KW1-900	PIVOT, SHIFT DRUM STOPPER	1
15	90408-KW1-900	WASHER, 6 MM	1
16	90451-001-000	WASHER, THRUST, 14 MM	2
17	92000-06025-0A	BOLT, HEX., 6 X 25	1
18	94510-12000L	CIRCLIP, EXTERNAL, 12 MM	1
19	94510-14000	CIRCLIP, EXTERNAL, 14 MM	1
20	96220-40100	ROLLER, 4X10	1

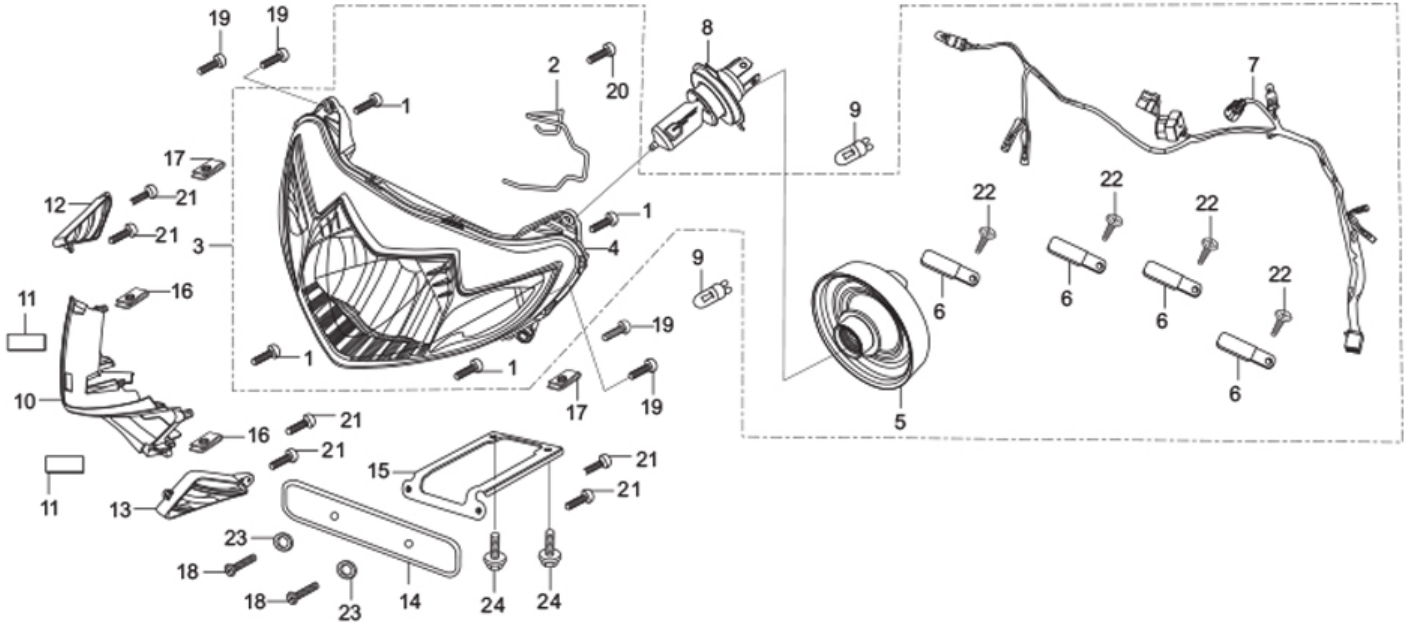
## E-13 : INJECTOR ASSY., FUEL



**Group Number:** E-13 Model :: Karizma ZMR (July, 2012)

Ref No.	Part Number	Description	Req.
1	16060-GEY-642	SENSOR SET	1
2	16080-AAR-001	BOLT FLANGE 5X20	2
3	16081-AAR-001	SCREW TORX 5X8.7	2
4	16082-KPH-701	SCREW TORX, 5 X 17	1
5	16083-KTR-941	O-RING, THROTTLE BODY	1
6	16169-AAR-001	STAY,WIRE	1
7	16410-KRY-973	BODY SET	1
8	16422-KRY-972	JOINT, INJECTOR	1
9	16430-KRY-971	IACV SET	1
10	16432-AAR-001	PLATE, IACV	1
11	16433-AAR-001	SCREW, TORX	2
12	16460-MFJ-D01	INJECTOR ASSY. FUEL	1
13	16472-MCW-000	SEAL RING, INJECTOR	1
14	91301-P7A-004	O RING	1
15	93892-AAR-001	SCREW WASHER , 5 X 12	2

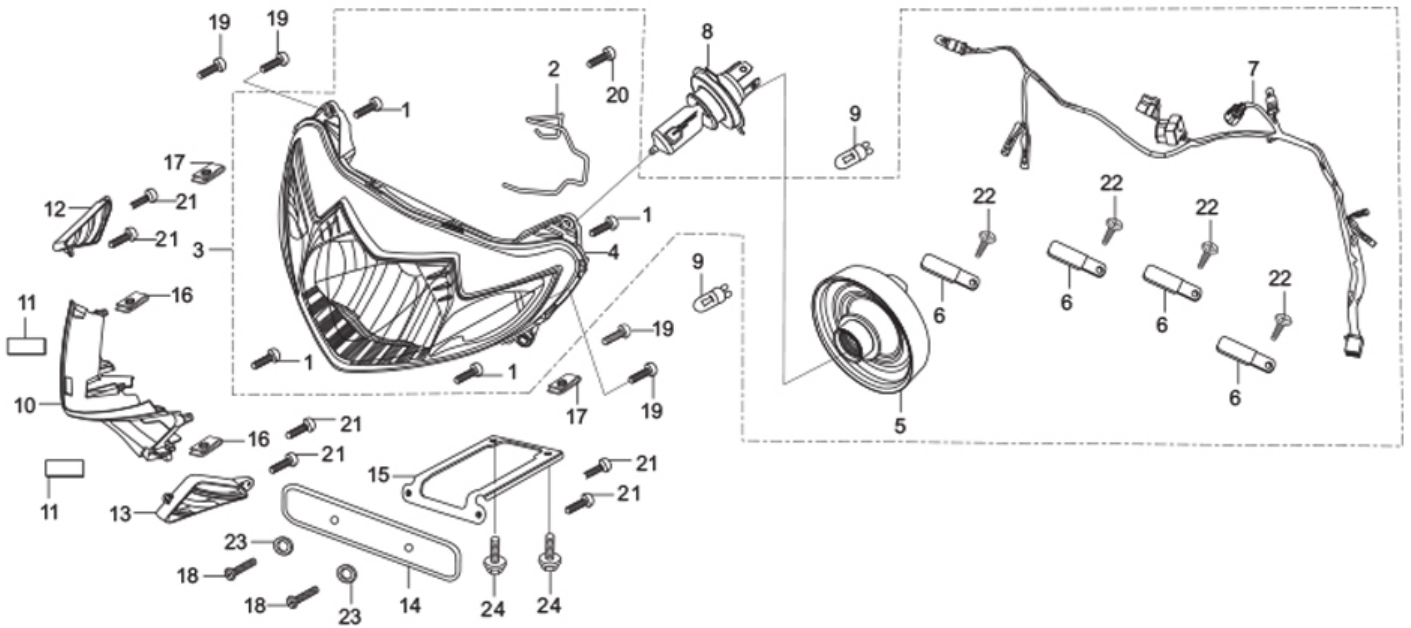
## F-1 : HEAD LIGHT



**Group Number: F-1 Model :: Karizma ZMR (July, 2012)**

Ref No.	Part Number	Description	Req.
1	33106-MAZ-003	SCREW TAPPING M4X14.	4
2	33108-KRY-900	SPRING, SPC(BULB HOLDER)	1
3	3310B-AAR-H71	LIGHT ASSY HEAD(W/O BULB)	1
4	33110-AAR-H71	UNIT,HEAD LIGHT	1
5	33112-MAT-611	COVER,RUBBER.	1
6	33119-KRY-901	CLIP CORD	4
7	33150-KRY-971	SOCKET ASSY. HEAD LIGHT	1
8	34901-KSP-910	BULB, HEAD LIGHT	1
9	34920-AAG-300	BULB WEDGE BASE (T10 12V 3W)	2
10	64203-KRY-970ZA	COWL CENTRE FR.(PNB)	1
	64203-KRY-970ZC	COWL CENTRE FR.(PFW)	1
	64203-KRY-980ZC	COWL CENTER FRONT (CANDY BLAZING RED)	1
	64203-KRY-980ZD	COWL CENTER FRONT (VIBRANT ORANGE)	1
11	64214-KRY-970	CUSHION CTR.FR.COWL	2
12	64306-KRY-970	GARNISH, R	1
13	64307-KRY-970	GARNISH, L	1
14	64310-198-D20A	PLATE, FRONT NUMBER	1
15	64315-KRY-970	STAY, FR. NUMBER PLATE	1
16	90320-GC3-000	NUT, SPRING, M5	2
17	90344-KEV-900	NUT C CLIP 6MM	2
18	92000-06020-0H	BOLT HEX., 6 X 20	4
19	93500-05010-1A	SCREW, PAN, 5X10	2
20	93901-44220	SCREW, TAPPING,4X10	1
21	93903-24310	SCREW, TAPPING, 4X12	6

## F-1 : HEAD LIGHT

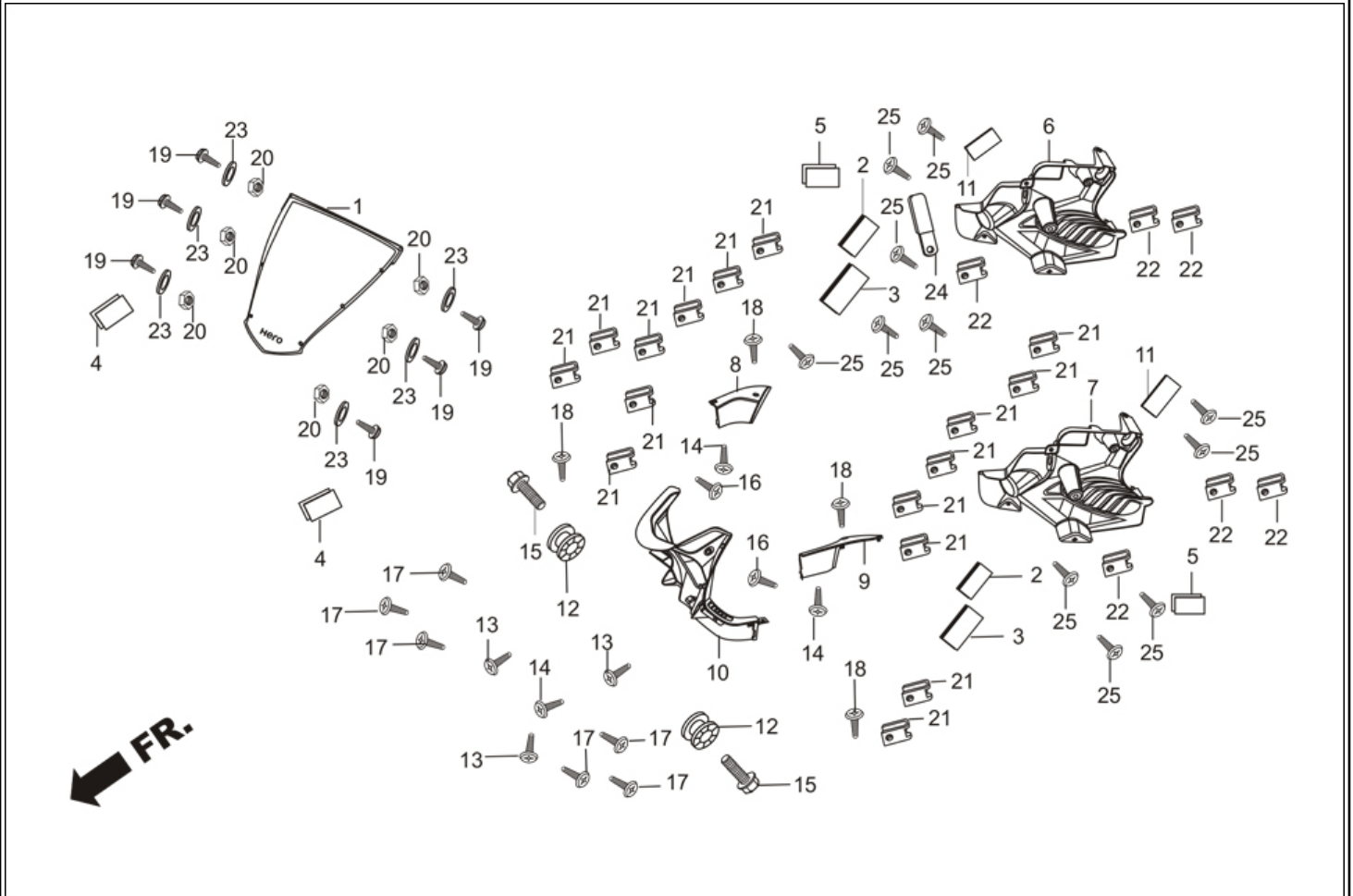


**FR.**

22	93903-25310	SCREW, TAPPING, 5 X 16	4
23	94101-05000	WASHER , PLAIN, 5MM	2
24	95701-06016-00	BOLT, FLANGE, 6X16	2



## F-1A : FRONT COWL

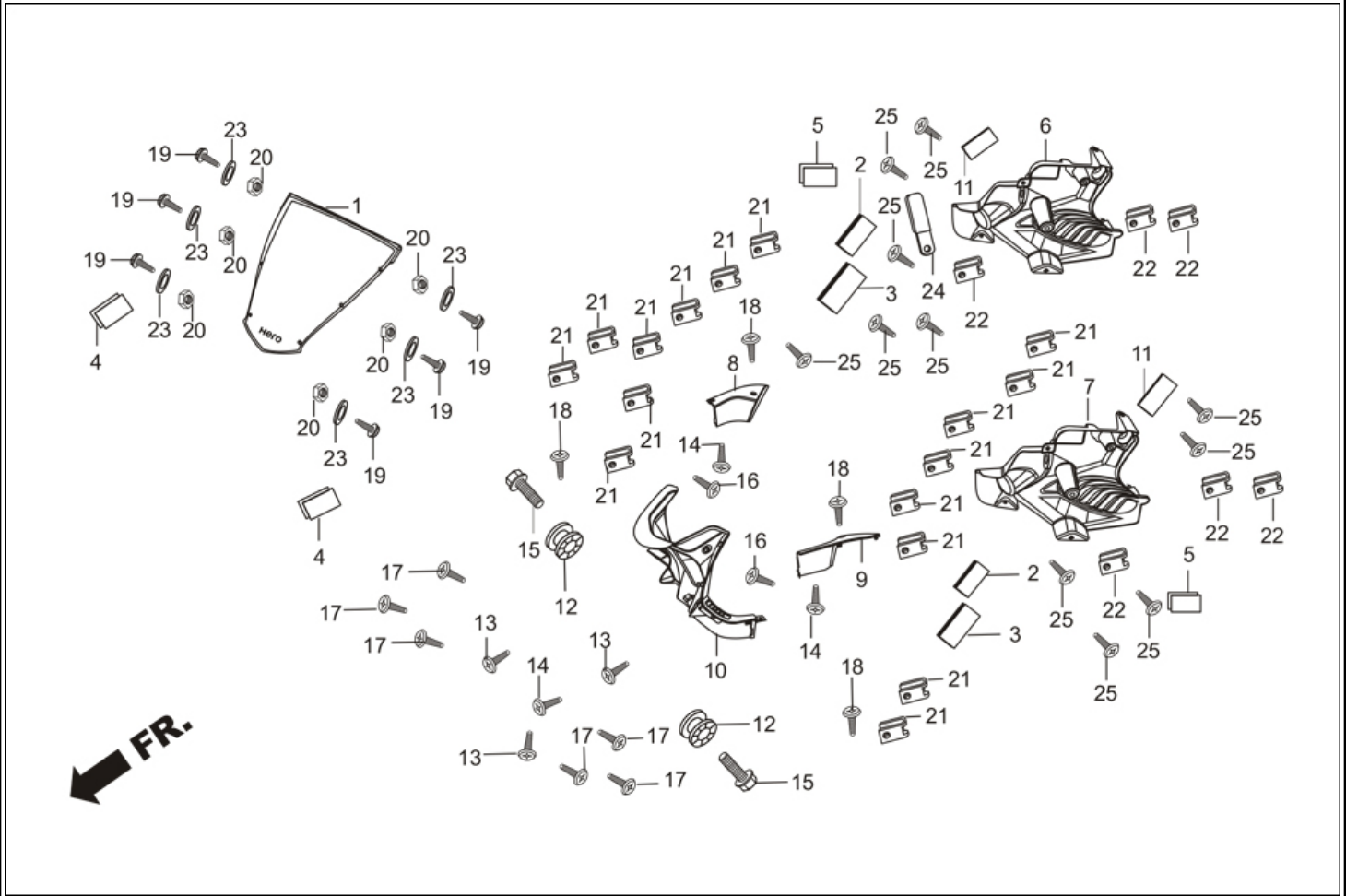


**Group Number:** F-1A Model :: Karizma ZMR (July, 2012)

Ref No.	Part Number	Description	Req.
1	64100-AAR-H70	SET FRONT SCREEN	1
2	64211-KRY-970	SILENCER SEAT A,INN.LWR	2
3	64212-KRY-970	SILENCER SEAT B,INN.LWR	2
4	64213-KRY-970	SILENCER SEAT,FR COWL	2
5	64215-KRY-970	CUSHION FR.SIDE COWL A	2
6	64301-KRY-970	COWL, R INNER LWR	1
7	64302-KRY-970	COWL, L INNER LWR	1
8	64303-KRY-970	PANEL, R INNER	1
9	64304-KRY-970	PANEL, L INNER	1
10	64305-KRY-970	PANEL CENTER INNER.	1
11	77211-KRY-970	CUSHION RR. COWL	2
12	83545-KVN-900	RUBBER, SIDE COVER	2
13	90101-GE0-000	SCREW, HINGE PATCH	3
14	90102-GB2-720	SCREW, PAN, 5X16	3
16	90105-KRY-970	SCREW,FAIRING A (5X11.5)	2
15	90105-KVN-900	BOLT, SPECIAL 6 X 22	2
17	90106-KRY-970	SCREW,FAIRING B (5X11.5)	6
18	90107-KRY-970	SCREW, FAIRING C (5X16)	4
19	90109-SB6-000	SCREW, TRUSS, 5X14	6
20	90111-KW3-000	NUT COWL SET M5X0.8	6
21	90320-GC3-000	NUT, SPRING, M5	16
22	90344-KEV-900	NUT C CLIP 6MM	6
23	90504-964-000	WASHER, THRUST, 5MM	6
24	90601-GFC-780	CLIP 4 X 60	1

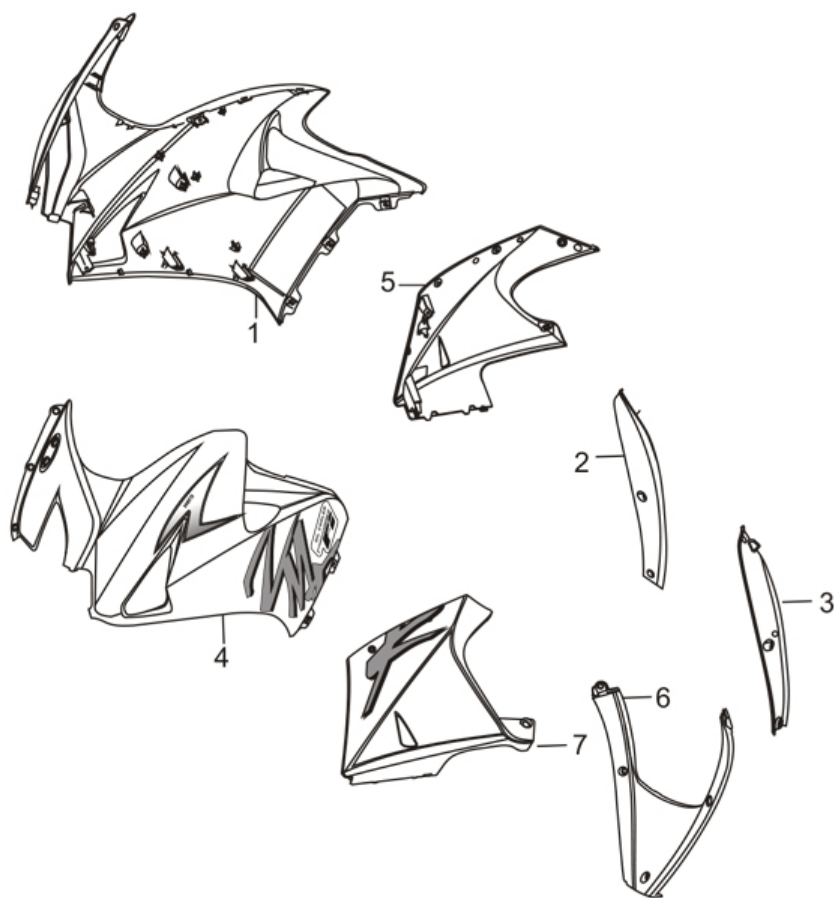


# F-1A : FRONT COWL



25	93903-25210	SCREW, TAPPING, 5X12	11
----	-------------	----------------------	----

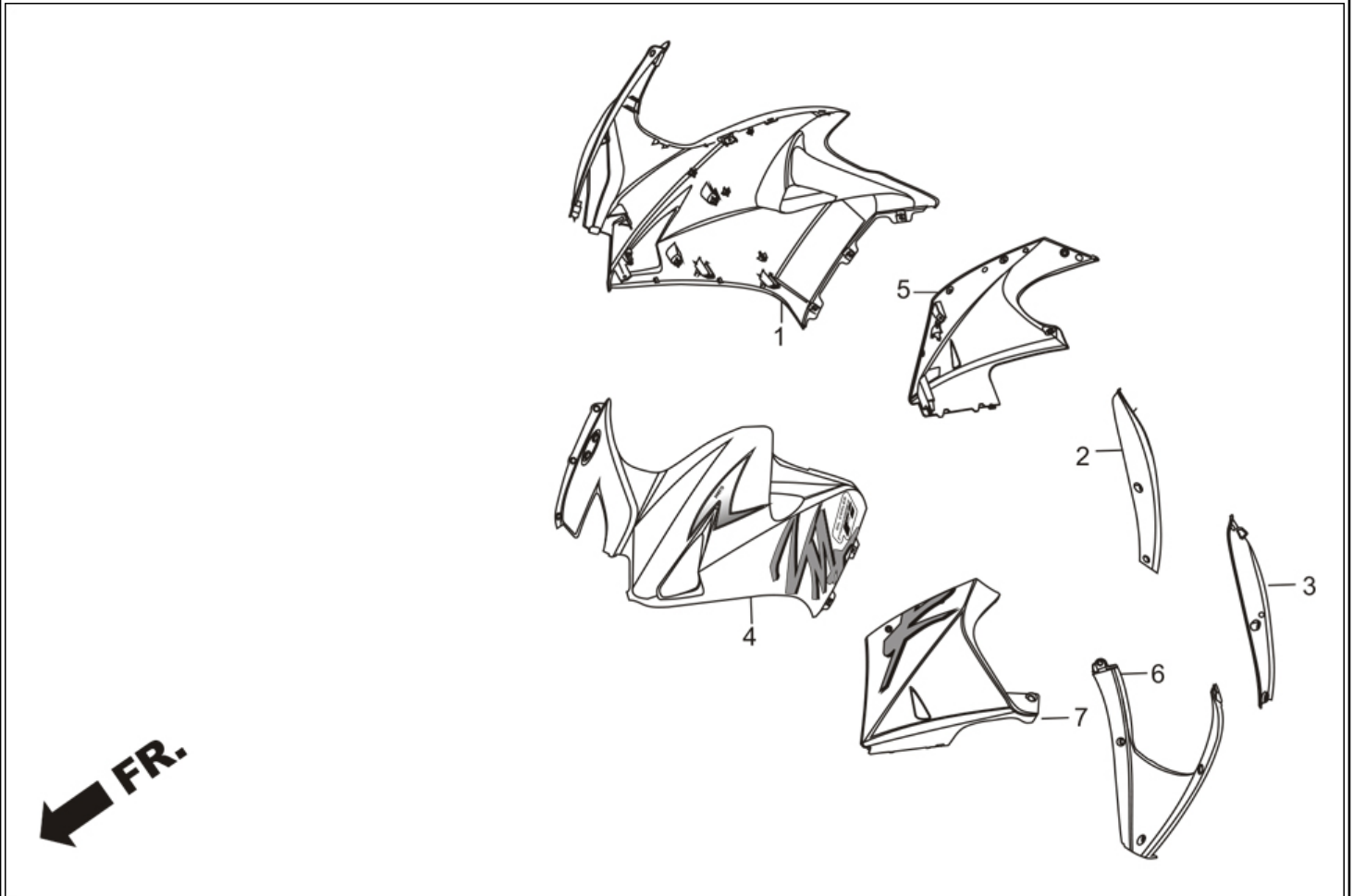
## F-1B : FRONT COWL



**Group Number:** F-1B Model :: Karizma ZMR (July, 2012)

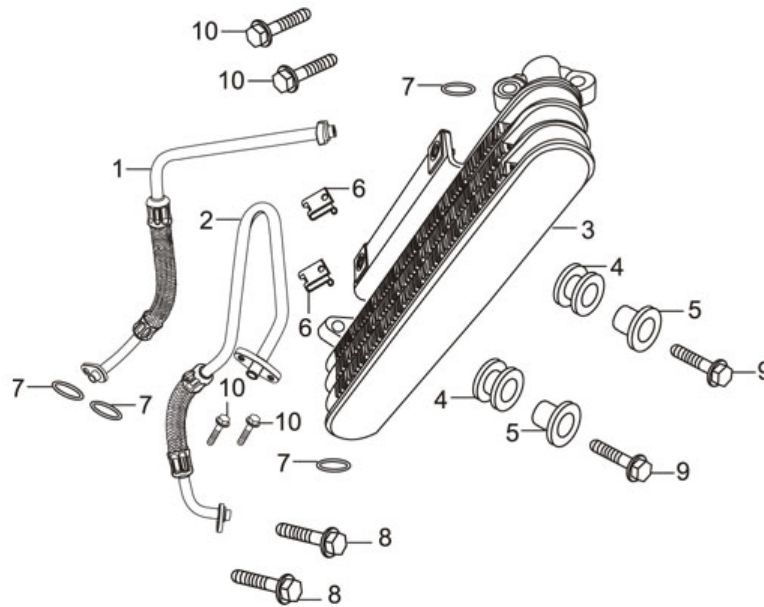
Ref No.	Part Number	Description	Req.
1	64200-AAR-H70ZA	SET, R FR.SIDE COWL(NH-B08M,PANTHER BLACK METALLIC)	1
	64200-AAR-H70ZB	SET, R FR.SIDE COWL(NH-341P(T1),PEARL FADELESS WHITE (TYPE-1))	1
	64200-AAR-H80ZC	SET, R FR.SIDE COWL(CANDY BLAZING RED, R-195C)	1
	64200-AAR-H80ZDH	SET, R FR.SIDE COWL(VBO,YR-250)	1
2	64206-KRY-980ZC	COWL, R INNER FR SIDE (CANDY BLAZING RED)	1
	64206-KRY-970ZA	COWL R INNER FR. SIDE(PNB)	1
	64206-KRY-970ZC	COWL R INNER FR. SIDE(PFW)	1
	64206-KRY-980ZD	COWL, R INNER FR SIDE (VIBRANT ORANGE)	1
3	64207-KRY-980ZC	COWL, L INNER FR SIDE (CANDY BLAZING RED)	1
	64207-KRY-970ZA	COWL L INNER FR. SIDE(PNB)	1
	64207-KRY-970ZC	COWL L INNER FR. SIDE(PFW)	1
	64207-KRY-980ZD	COWL, L INNER FR SIDE (VIBRANT ORANGE)	1
4	64250-AAR-H70ZA	SET, L FR.SIDE COWL(NH-B08M,PANTHER BLACK METALLIC)	1
	64250-AAR-H70ZB	SET, L FR.SIDE COWL(NH-341P(T1),PEARL FADELESS WHITE (TYPE-1))	1
	64250-AAR-H80ZC	SET, L FR.SIDE COWL(CANDY BLAZING RED, R-195C)	1
	64250-AAR-H80ZD	SET, L FR.SIDE COWL(YR-250,VIBRANT ORANGE)	1
5	64300-KRY-980ZC	SET, R UNDER COWL (CANDY BLAZING RED)	1
	64300-KRY-970ZA	SET, R UND COWL(PNB)	1
	64300-KRY-970ZC	SET, R UND COWL(PFW)	1
	64300-KRY-980ZD	SET, R UNDER COWL (VIBRANT ORANGE)	1
6	64325-KRY-980ZC	COWL, CENTER UNDER (CANDY BLAZING RED)	1
	64325-KRY-970ZA	COWL CENTRE UND(PNB)	1
	64325-KRY-970ZC	COWL CENTRE UND(PFW)	1

## F-1B : FRONT COWL



	64325-KRY-980ZD	COWL, CENTER UNDER (VIBRANT ORANGE)	1
7	64350-KRY-980ZC	SET, L UNDER COWL (CANDY BLAZING RED)	1
	64350-KRY-970ZA	SET, L UND COWL(PNB)	1
	64350-KRY-970ZC	SET, L UND COWL(PFW)	1
	64350-KRY-980ZD	SET, L UNDER COWL (VIBRANT ORANGE)	1

## F-1C : COOLER COMP., OIL

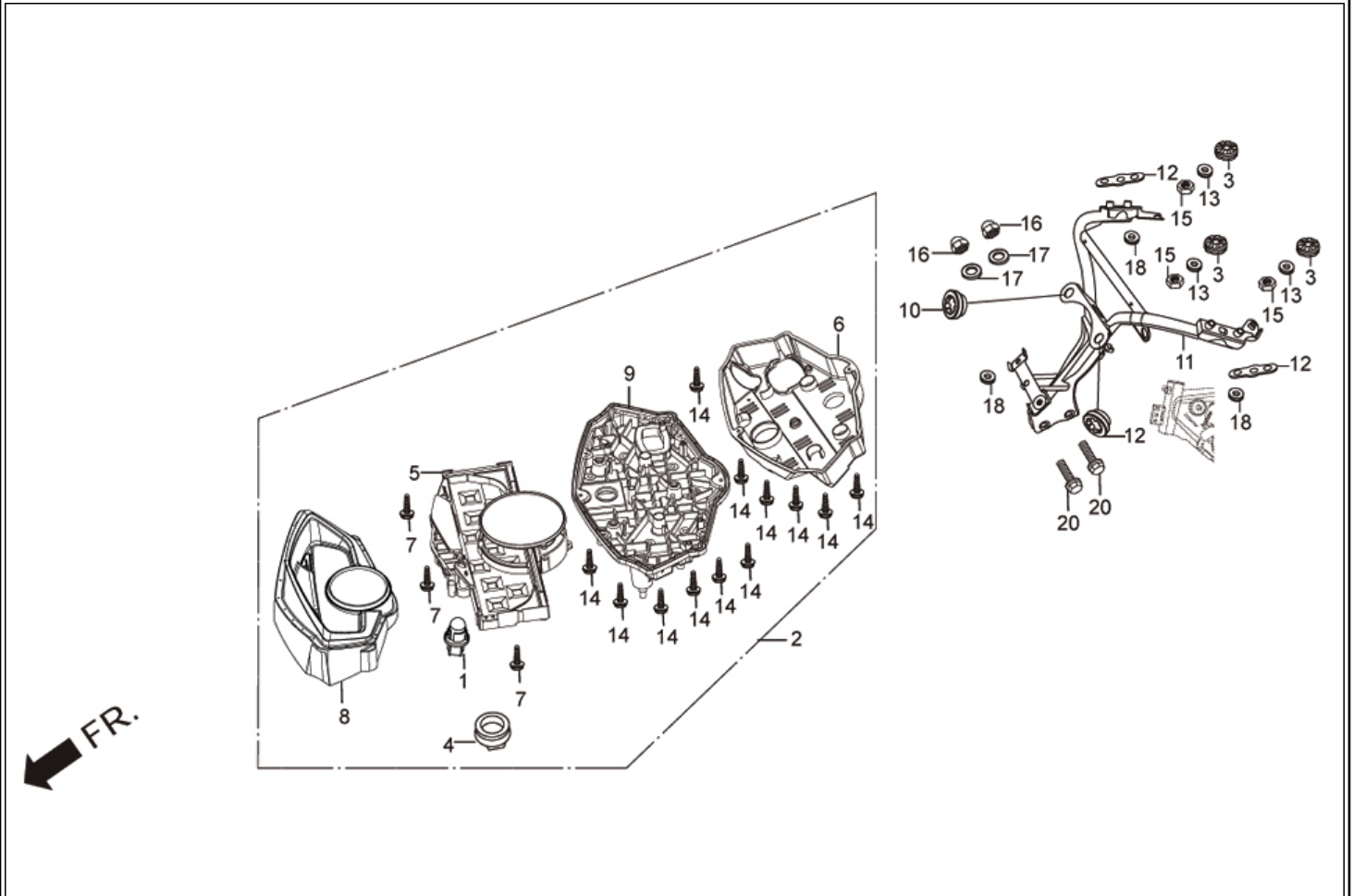


**FR.**

**Group Number: F-1C Model :: Karizma ZMR (July, 2012)**

Ref No.	Part Number	Description	Req.
1	15510-KRY-970	OIL HOSE, A	1
2	15520-KRY-970	OIL HOSE, B	1
3	15600-KRY-970	COOLER COMP,OIL	1
4	19051-KA3-830	RUBBER, RAD MT	2
5	19052-MN8-000	COLLAR, RAD MT	2
6	90301-KRY-970	NUT CLIP 6 MM.	2
7	91314-ME5-003	O-RING, 10 X 2.6	4
8	95701-06016-07	BOLT, FLANGE, 6 X 16	8
9	95701-06025-00	BOLT, FLANGE, 6X 25	2
10	96001-06020-00	BOLT, FLANGE, SH. 6 X 20	4

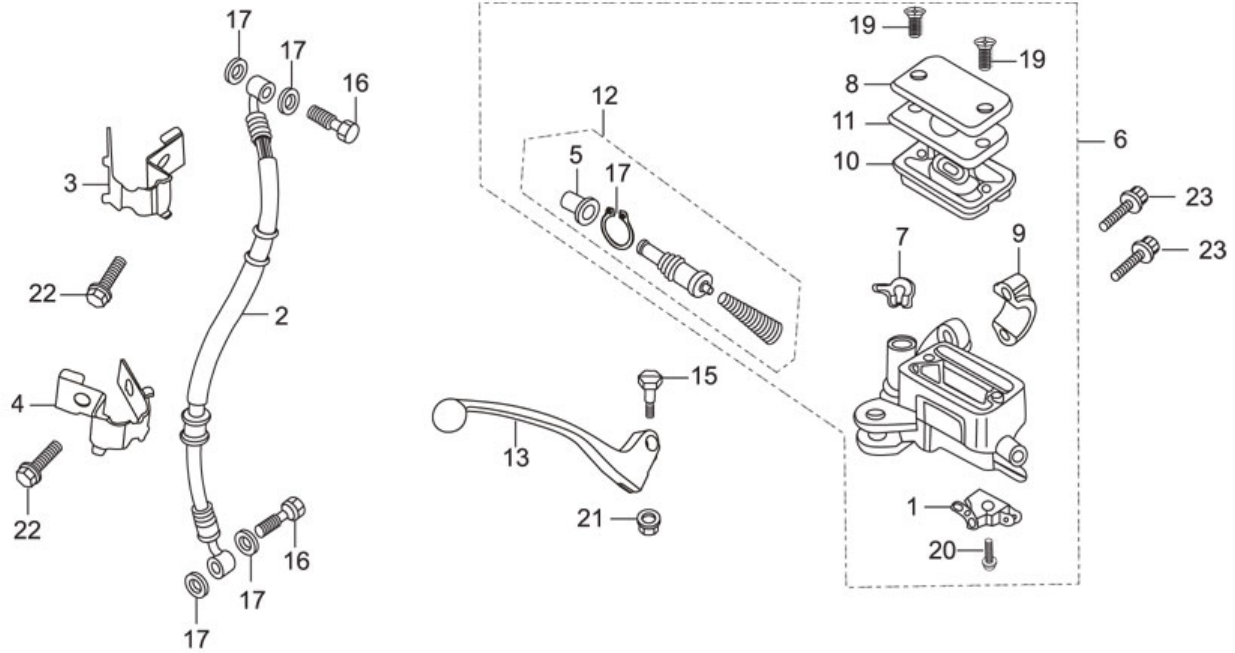
## F-2 : SPEEDOMETER



**Group Number:** F-2 **Model ::** Karizma ZMR (July, 2012)

Ref No.	Part Number	Description	Req.
1	35505-SA5-003	BULB SOCKET ASSY.	1
2	37100-KRY-981	METER ASSY., COMB	1
3	37105-KRY-970	RUBBER METER SET	3
4	37105-KRJ-901	CAP	1
6	37112-KRY-971	COVER	1
7	37214-KV7-671	SCREW, TAPPING, 3 X 12	3
9	37613-KRY-971	CASE UNDER ASSY	1
10	61304-KRY-900	RUBBER,LIGHT CASE MOUNT	2
11	64510-KRY-970	STAY, FR. COWL UP	1
12	88117-KRY-970	RUBBER, MIRROR MT.	2
13	90501-KRY-970	WASHER, PLAIN, 6X18	3
14	93903-22420	SCREW,TAPPING,3 X 16	24
15	94001-06000-0S	NUT, HEX., 6 MM	3
16	94021-08000-0S	NUT,HEX CAP 8 MM	2
17	94101-08800	WASHER PLAIN, 8 MM	2
18	94103-06000	WASHER PLAIN,6MM	3
19	95801-08040-00	BOLT,FLANGE,8 X 40	2
5	37110-KRY-981	METER COMP,COMB	1
8	37612-KRY-981	CASE, UPPER ASSY	1

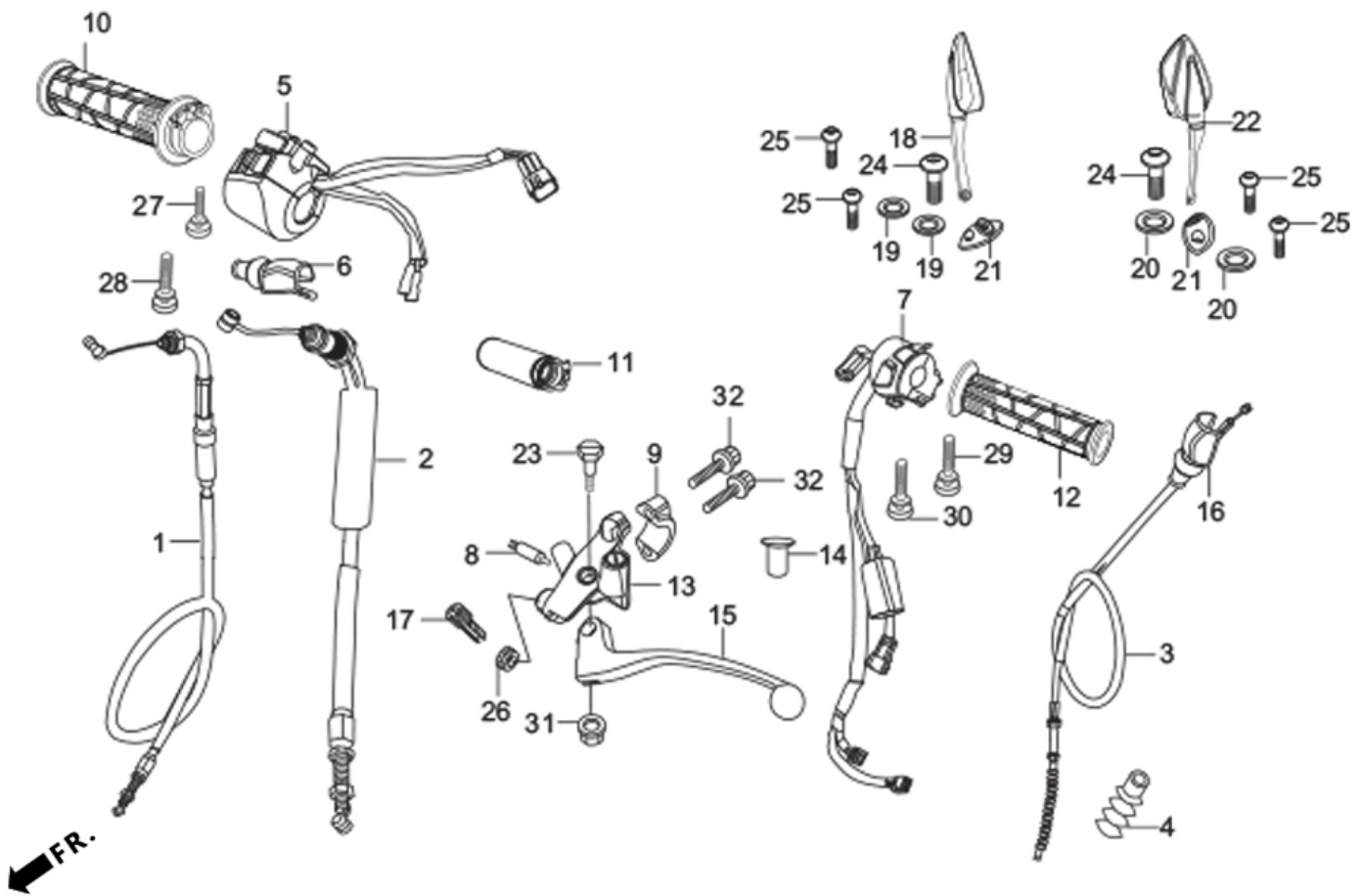
### F-3 : FRONT BRAKE MASTER CYL



Group Number: F-3 Model :: Karizma ZMR (July, 2012)

Ref No.	Part Number	Description	Req.
1	35340-MA5-670L	SW. ASSY. FR. STOP	1
2	45126-KRY-970	HOSE COMP. FR. BRAKE	1
3	45155-KRY-970	CLAMPER FR BRAKE	1
4	45156-KRY-900	CLAMPER, BRAKE HOSE	1
5	45504-410-003L	BOOT COMP.	1
6	45510-KRY-971	M/C SUB ASSY, FR BRK.	1
7	45512-MA6-006L	PROTECTOR	1
8	45513-HA2-006L	CAP M/C	1
9	45517-166-000	HOLDER, MASTER CYLINDER	1
10	45520-MG7-006L	DIAPHRAGM	1
11	45521-HA2-006L	PLATE DIAPHRAGM	1
12	45530-471-831L	CYLINDER SET MASTER	1
13	53175-KFN-850L	LEVER, RIGHT STRG. HANDLE	1
14	90106-MBZ-G00	BOLT, FLANGE SH 6X10	2
15	90114-166-000L	BOLT HANDLE LEVER	1
16	90145-MS9-610	OIL BOLT, 10 X 22	2
17	90545-300-000	WASHER ,OIL BOLT	4
18	90651-MA5-671L	CIRCLIP	1
19	93600-04012-1GL	SCREW FLAT 4X12	2
20	93893-04012-17L	SCREW WASHER 4X12	1
21	94050-06000	NUT, FLANGE, 6 MM	1
22	96001-06012-07	BOLT, FLANGE, SH., 6 X 12	2
23	96001-06022-07	BOLT, FLANGE, SH.6X22	2

## F-3A : HANDLE LEVER / SWITCH / CABLE

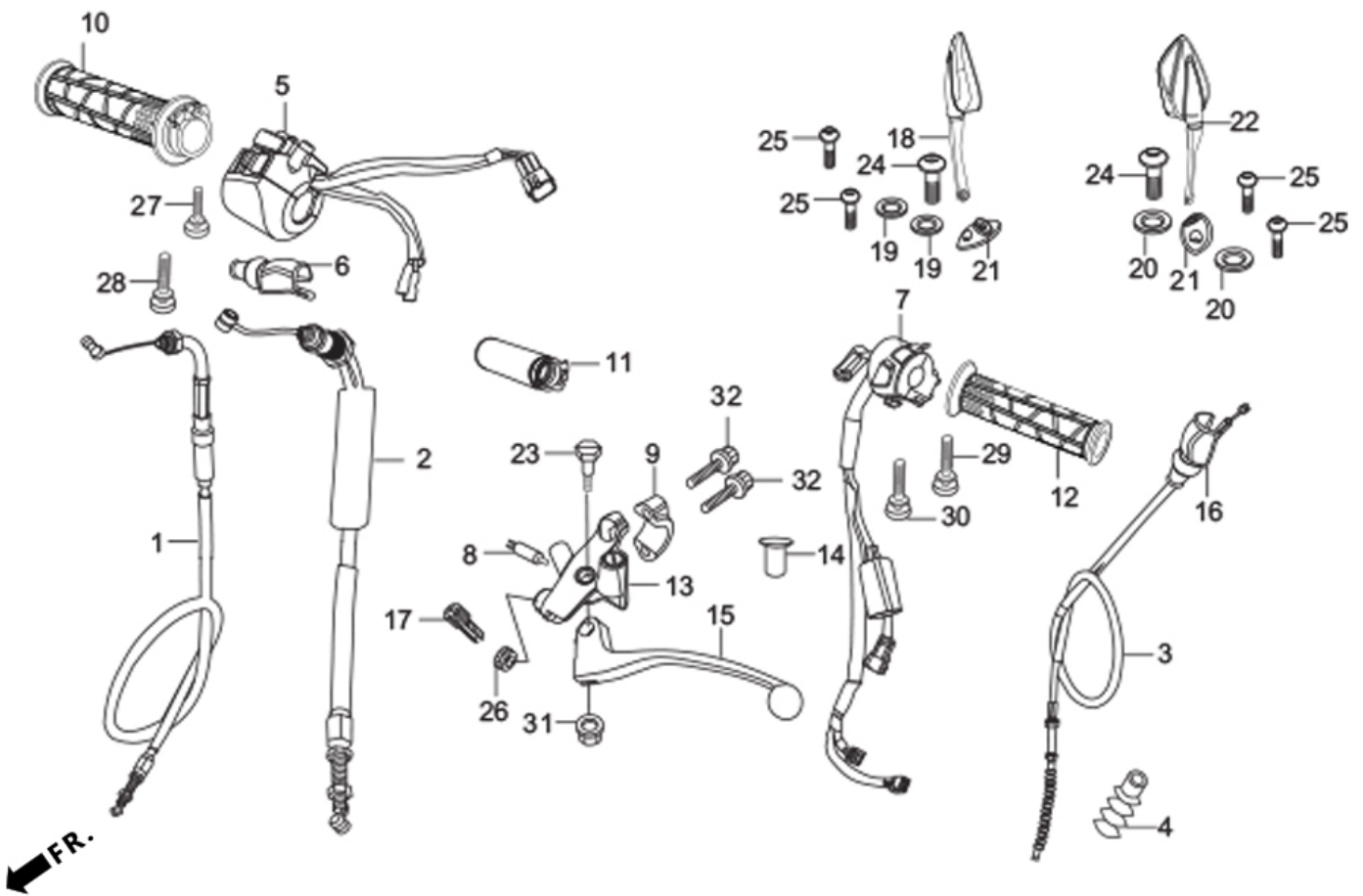


**Group Number:** F-3A Model :: Karizma ZMR (July, 2012)

Ref No.	Part Number	Description	Req.
1	17910-KRY-970	CABLE COMP. A THROT	1
2	17920-KRY-970	CABLE COMP. B THROT	1
3	22870-KRY-970	CABLE COMP CLUTCH	1
4	22871-437-000	BOOT, CLUTCH WIRE	1
5	35150-KRY-971	SW. ASSY, LI. ST	1
6	35152-KRY-970	COVER CLUTCH SW.TERMINAL	1
7	35200-KRY-971	SW. ASSY. WINKER	1
8	35330-413-003	SW. COMP., FR. LEVER	1
9	45517-166-000	HOLDER, MASTER CYLINDER	1
10	53140-KRY-980	GRIP COMP., THROT	1
11	53141-KRY-970	PIPE, THROTTLE GRIP	1
12	53166-KRY-980	GRIP L. HANDLE	1
13	53172-KRY-970	BRKT, HNDL LEVER	1
14	53174-116-670	PLUG HANDLE LEVER	1
15	53178-KFN-850	LEVER COMP., L HANDLE	1
16	53182-KFN-850	BOOT, L HANDLE LEVER	1
17	53192-349-690	BOLT WIRE ADJUST	1
18	88110-AAR-H81ZA	MIRROR ASSY R BACK(NH-B08M,PANTHER BLACK METALLIC)	1
	88110-AAR-H81ZB	MIRROR ASSY R BACK(NH-341P(T1),PEARL FADELESS WHITE (TYPE-1)	1
	88110-AAR-H81ZC	MIRROR ASSY R BACK(CANDY BLAZING RED, R-195C)	1
	88110-AAR-H81ZD	MIRROR ASSY R BACK(YR-250,VIBRANT ORANGE)	1
	88110-AAR-H81ZF	MIRROR ASSY R BACK(B-185M,FROST BLUE METALLIC)	1
19	88110-KRY-970F	WASHER A, 8MM	2

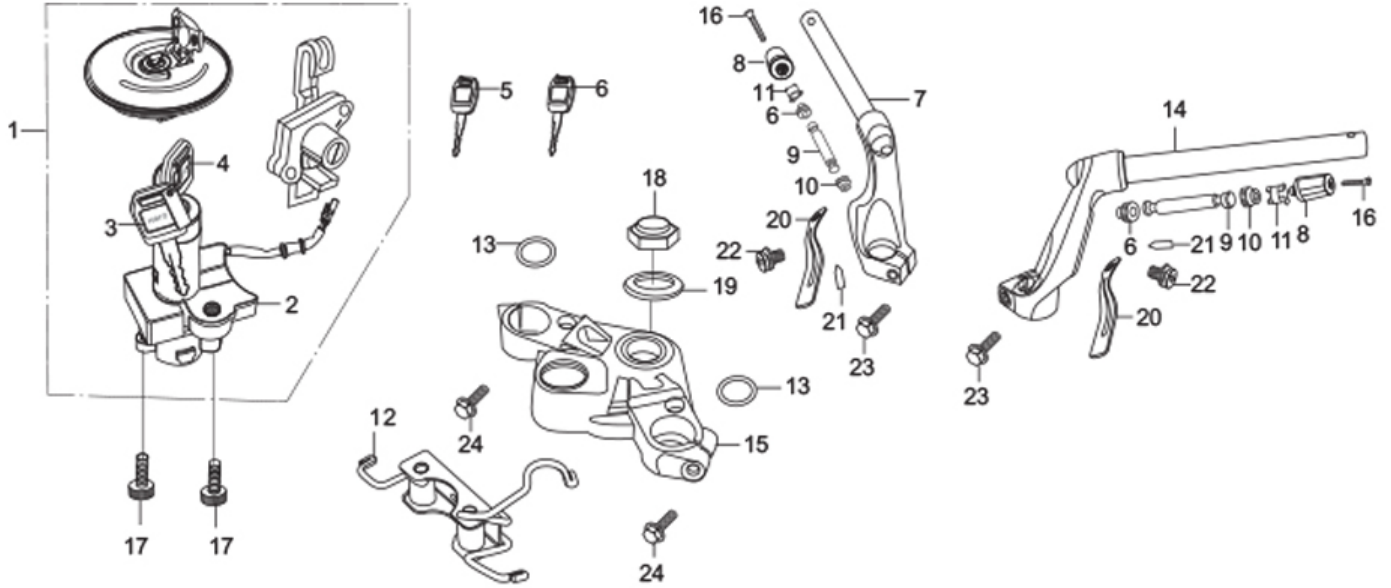


## F-3A : HANDLE LEVER / SWITCH / CABLE



20	88110-KRY-970G	WASHER, 8MM	2
21	88115-KRY-970	BASE, R BACK MIRROR	1
22	88116-KRY-970	BASE, L BACK MIRROR	1
23	88120-AAR-H81ZA	MIRROR ASSY L BACK(NH-B08M,PANTHER BLACK METALLIC)	1
	88120-AAR-H81ZB	MIRROR ASSY L BACK(NH-341P(T1),PEARL FADELESS WHITE (TYPE-1)	1
	88120-AAR-H81ZC	MIRROR ASSY L BACK(CANDY BLAZING RED, R-195C)	1
	88120-AAR-H81ZD	MIRROR ASSY L BACK(YR-250,VIBRANT ORANGE)	1
	88120-AAR-H81ZF	MIRROR ASSY L BACK(B-185M,FROST BLUE METALLIC)	1
24	90113-438-000	BOLT, HANDLE LEVER PIVOT	1
25	90128-KRY-970	BOLT BUTTAN 8X27	2
26	90130-MEE-000	BOLT, SOCKET 6 X 13	4
27	90321-MR8-000	NUT FIXING	1
28	93892-05020-07	SCREW, WASHER, 5X20	1
29	93892-05025-07	SCREW, WASHER, 5X25	1
30	93892-05035-07	SCREW, WASHER, 5X35	1
31	93892-05045-07	SCREW, WASHER, 5X45	1
32	94050-06000	NUT, FLANGE, 6 MM	1
33	96001-06022-07	BOLT, FLANGE, SH.6X22	2

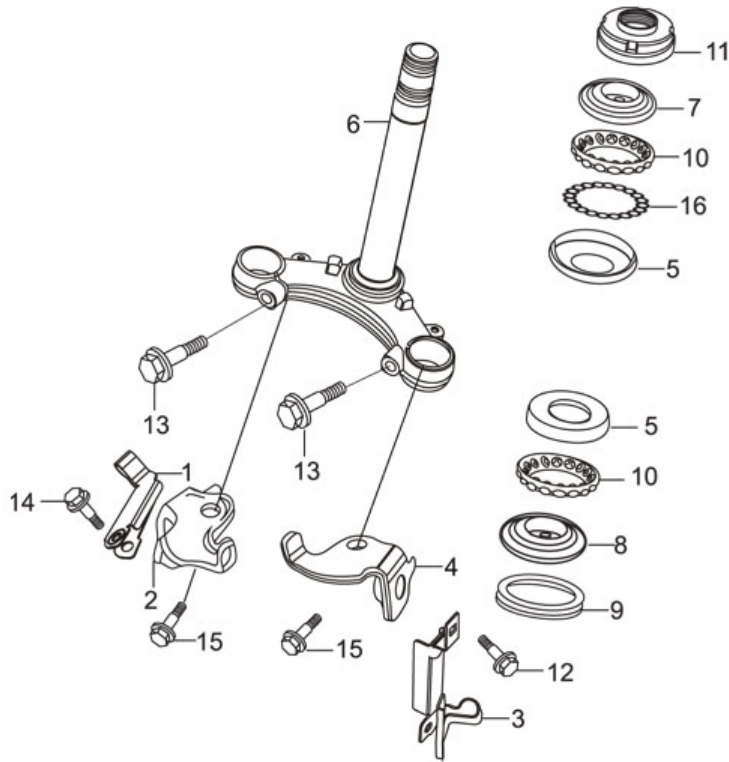
## F-4 : HANDLE PIPE / TOP BRIDGE / KEY SET



**Group Number:** F-4 Model :: Karizma ZMR (July, 2012)

Ref No.	Part Number	Description	Req.
1	35010-AAR-H70	KEY-SET	1
2	35100-AAR-H71	SWITCH ASSY COMB & LOCK	1
3	35113-KZJ-H00	EMBLEM ICON	1
4	35114-KZJ-H00	EMBLEM,WORD MARK	1
5	35121-KZJ-H00	BLANK KEY NO.1	1
6	35122-KZJ-H00	BLANK KEY NO.2	1
7	53100-KRY-970	PIPE COMP,R STRG. HNDL.	1
8	53104-KRY-970	WEIGHT, STRG. HNDL	2
9	53105-KRY-970	WEIGHT B, STRG. HNDL	2
10	53107-KTT-910	RUBBER, HNDL WT. B	2
11	53108-MJ0-000	SNAPRING, HNDL. WT	2
12	53127-KRY-970	GUIDE, COMP. CABLE	1
13	53128-KRY-970	RUBBER, HNDL SEAT	2
14	53150-KRY-970	PIPE COMP, L STRG. HNDL.	1
15	53230-KRY-970	BRIDGE FORK TOP	1
16	90100-KRY-970	BOLT, SOCKET 8X50	1
17	90191-KRY-970	BOLT, SOCKET 6X75	2
18	90304-KSP-900	NUT, STEERING STEM	1
19	90503-KTR-900	WASHER, STEERING STEM	1
20	90601-GFC-780	CLIP 4 X 60	2
21	90751-KRY-970	DOWEL PIN,4 X 29.8	1
22	93891-05008-00	SCREW WASH 5X8	2
23	95701-08035-00	BOLT, FLANGE, 8 X 35	2
24	95801-10040-02	BOLT, FLANGE 10 X 40	2

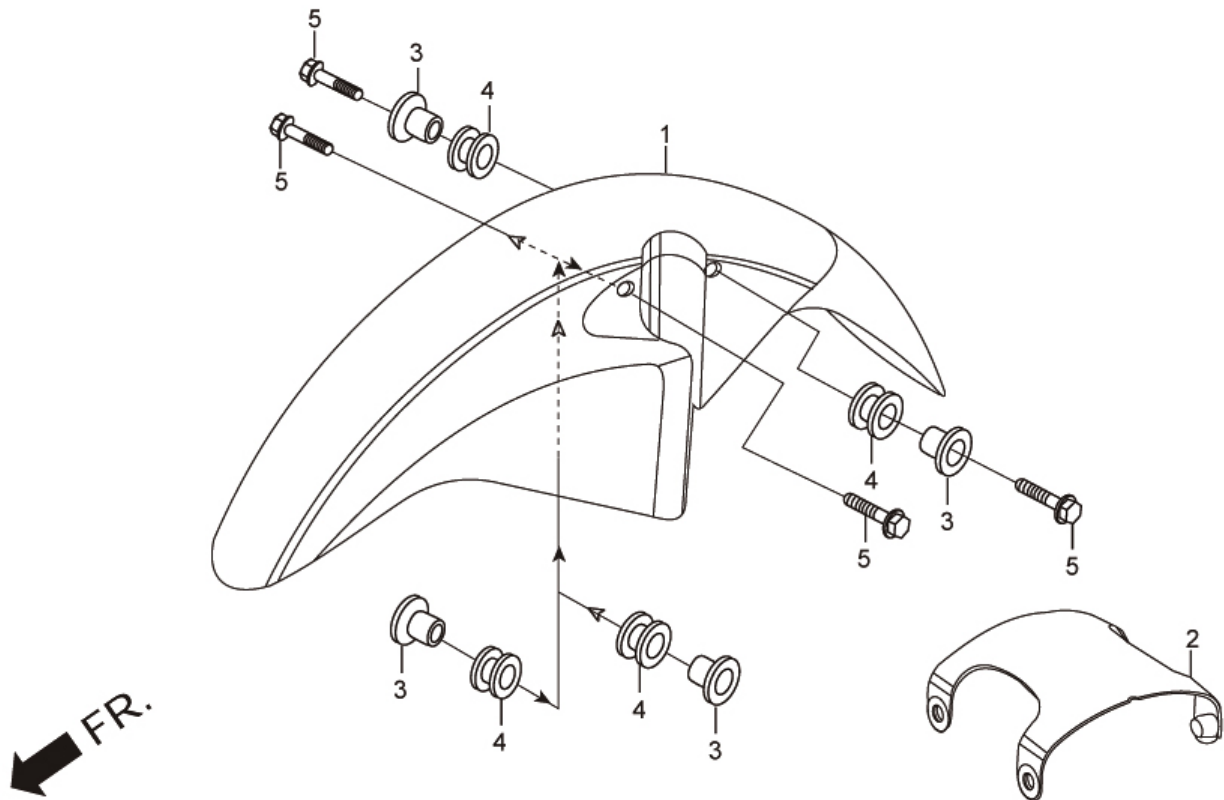
## F-5 : STEERING STEM



**Group Number:** F-5 Model :: Karizma ZMR (July, 2012)

Ref No.	Part Number	Description	Req.
1	45155-KRY-970	CLAMPER FR BRAKE	1
2	45160-KRY-970	STAY COMP CLAMPER BRK HOSE	1
3	45165-KRY-970	CLAMPER SENSOR CORD	1
4	45170-KRY-970	STAY COMP CLAMPER SENSOR CORD	1
5	50301-KTR-900	RACE, STEERING BALL	2
6	53200-KRY-970	STEM COMP., STEERING	1
7	53211-268-010	RACE, STEERING TOP CONE	1
8	53212-200-000	RACE, STEERING BOTTOM CONE	1
9	53214-200-000	DUST SEAL, STEERING HEAD	1
10	53215-KTR-900	BALL, ASSY. STEERING	2
11	53220-KRY-970	THREAD COMP STRG TOP.	1
12	95701-06012-07	BOLT, FLANGE, 6X12	1
13	95701-08030-07	BOLT, FLANGE 8X30	2
14	96001-06012-07	BOLT, FLANGE, SH., 6 X 12	1
15	96001-06014-00	BOLT, FLANGE, SH. 6 X 14	2
16	96211-06000	BALL, STEEL, 6 MM	16

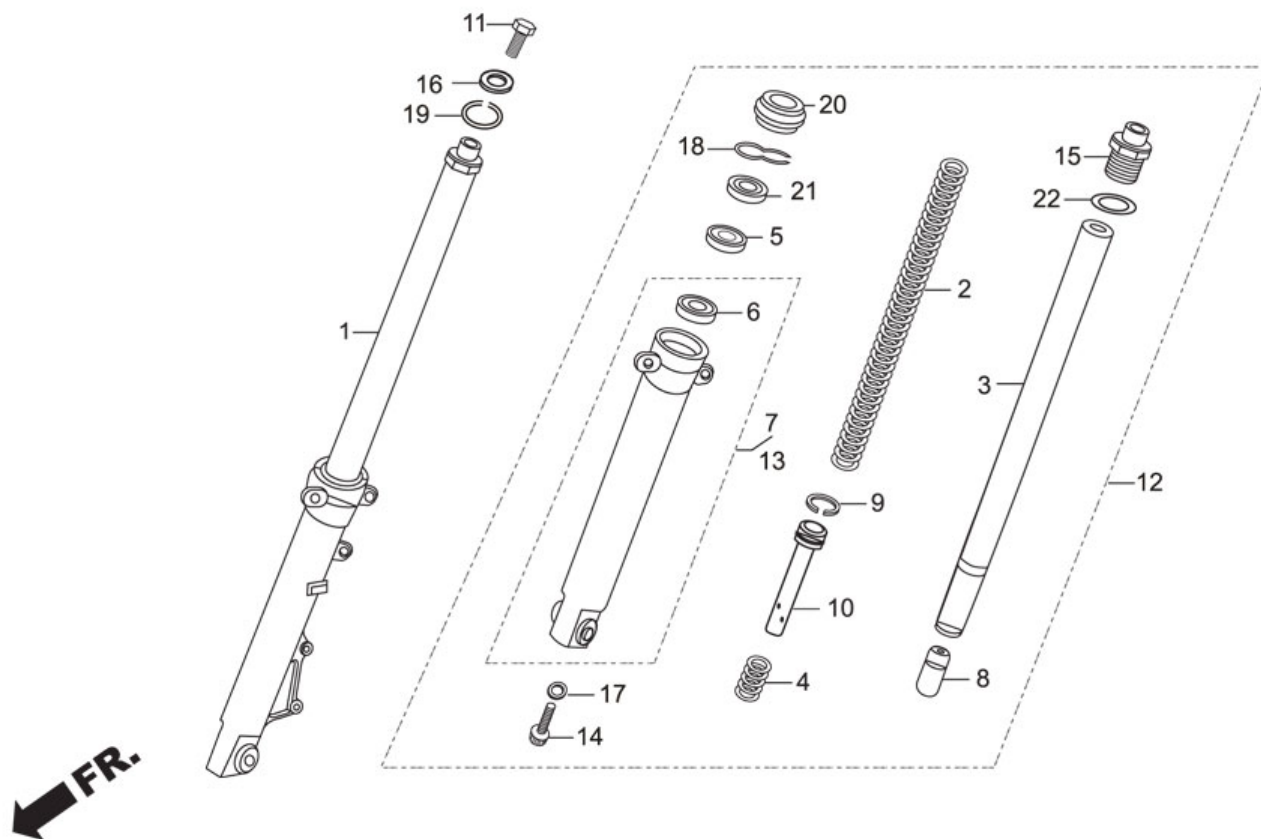
## F-6 : FRONT FENDER



**Group Number:** F-6 Model :: Karizma ZMR (July, 2012)

Ref No.	Part Number	Description	Req.
1	61100-KRY-980ZC	FENDER, FRONT (CANDY BLAZING RED)	1
	61100-KRY-970ZA	FENDER FR.(PNB)	1
	61100-KRY-970ZC	FENDER FR.(PFW)	1
	61100-KRY-980ZD	FENDER, FRONT (VIBRANT ORANGE)	1
2	61102-KRY-970	STAY, FR. FENDER	1
3	61103-KRY-900	COLLAR, A FR.FENDER	4
4	61105-KTC-900	RUBBER, FRONT FENDER MOUNTING	4
5	95801-06032-00	BOLT, FLANGE, 6 X 32	4

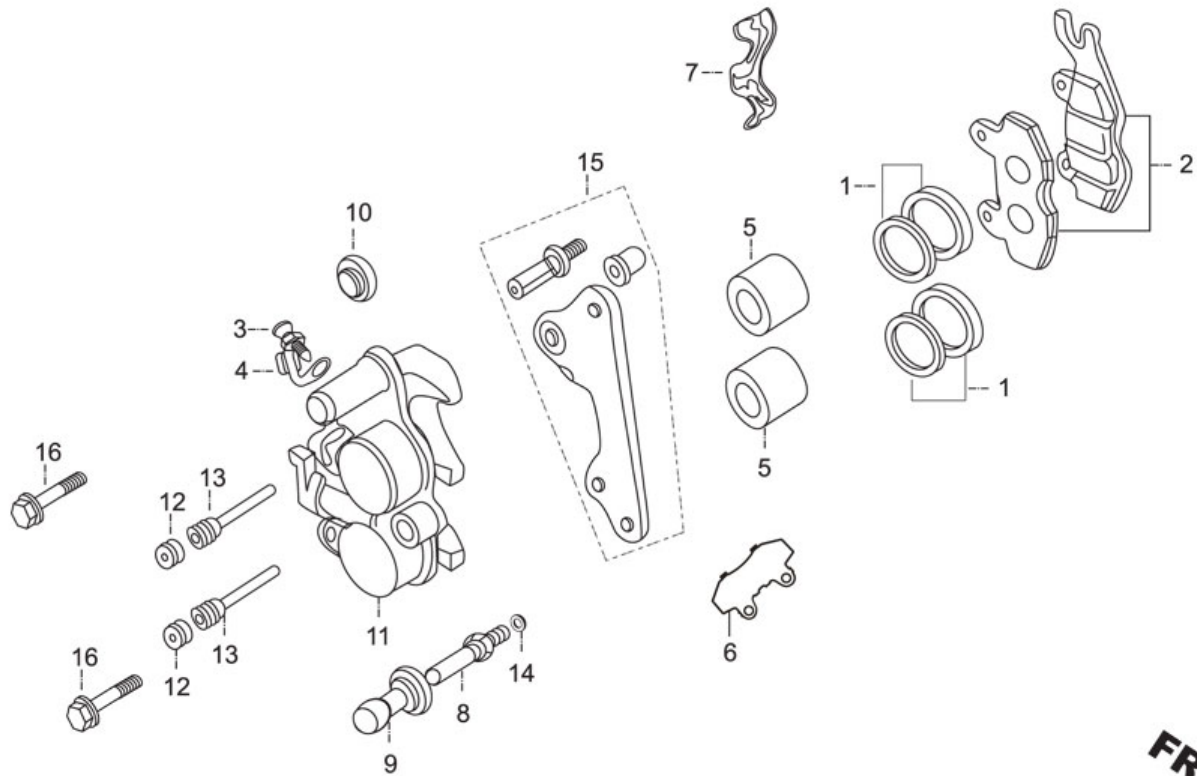
## F-7 : FRONT FORK



**Group Number:** F-7 Model :: Karizma ZMR (July, 2012)

Ref No.	Part Number	Description	Req.
1	51400-KRY-971	FORK ASSY,R	1
2	51401-KRY-971	SPRING FR. FORK	2
3	51410-KRY-971	PIPE COMP. FR FORK	2
5	51412-KFN-851	SPRING, BACK UP	2
4	51412-KSP-901	SPRING, REBOUND	2
6	51414-KK4-003	BUSH, GUIDE	2
7	51420-KRY-971	CASE COMP. R FR. BOTTOM	1
8	51432-KFN-851	PIECE, OIL LOCK	2
9	51437-KVN-901	RING, PISTON	2
10	51440-KFN-851	PIPE, SEAT	2
11	90123-KRM-860	BOLT, FR. FORK	2
12	51500-KRY-971	FORK ASSY,L	1
13	51520-KRY-971	CASE COMP. L FR. BOTTOM	1
14	90116-KAG-900	BOLT, SOCKET, 8 MM	2
15	90123-KSP-871	BOLT A FRONT FORK	2
16	90521-292-000	WASHER, PLAIN, 10.3 MM	2
17	90544-KFN-851	WASHER, SPECIAL, 8MM	2
18	90601-KFN-851	RING, OIL SEAL STOP	2
19	90651-KRY-970	SNAP RING 31	2
20	91254-GAA-003R	SEAL, DUST	2
21	91255-GAA-003R	SEAL, OIL	2
22	91356-KAG-900	O - RING	2

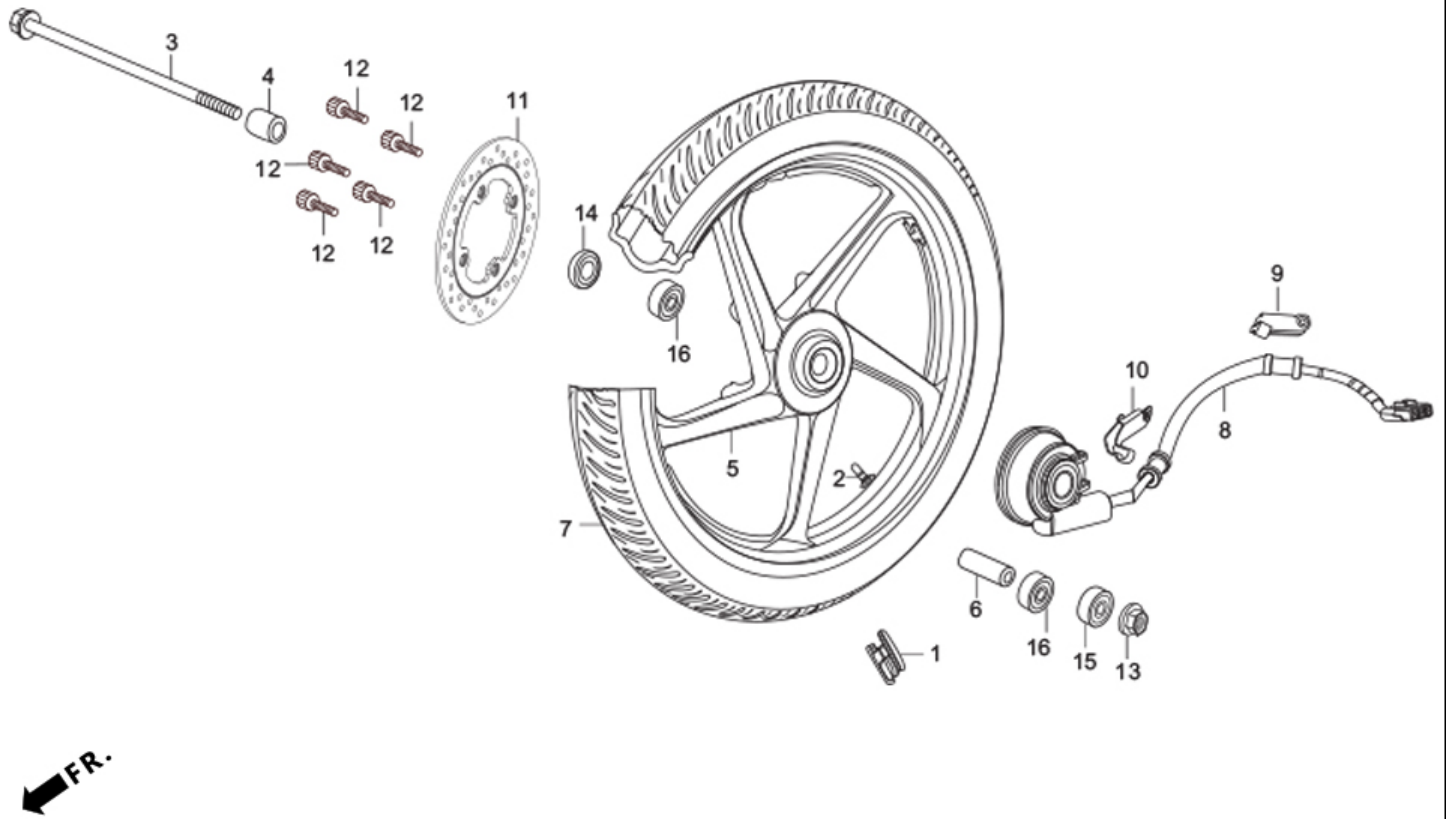
## F-8 : CALIPER ASSY. 'R' FR.



**Group Number:** F-8 Model :: Karizma ZMR (July, 2012)

Ref No.	Part Number	Description	Req.
1	06451-GE2-405L	SEAL SET PISTON	2
2	06455-GCR-016L	PAD SET FRONT	1
6	43114-KW6-842L	SHIM B	1
3	43352-568-003L	SCREW BLEEDER	1
4	43353-461-771L	CAP BLEEDER	1
5	45107-MN5-006L	PISTON	2
7	45108-ML4-006L	PAD SPRING	1
8	45131-GZ0-006L	PIN BOLT	1
9	45132-166-016L	BUSH BOOT PIN	1
10	45133-MA3-006L	BOOT B	1
11	45201-GT4-691L	BODY CALIPER FR.	1
12	45203-MG3-016L	PLUG PIN	2
13	45215-KA3-732L	PIN HANGER	2
14	45216-166-006	WASHER, WAVE	1
15	45290-KGB-611L	BRKT.SUB ASSY.R FR.CALIPER	1
16	90155-KY4-900	BOLT, FLANGE, 8 X 25	2

## F-9 : FRONT WHEEL

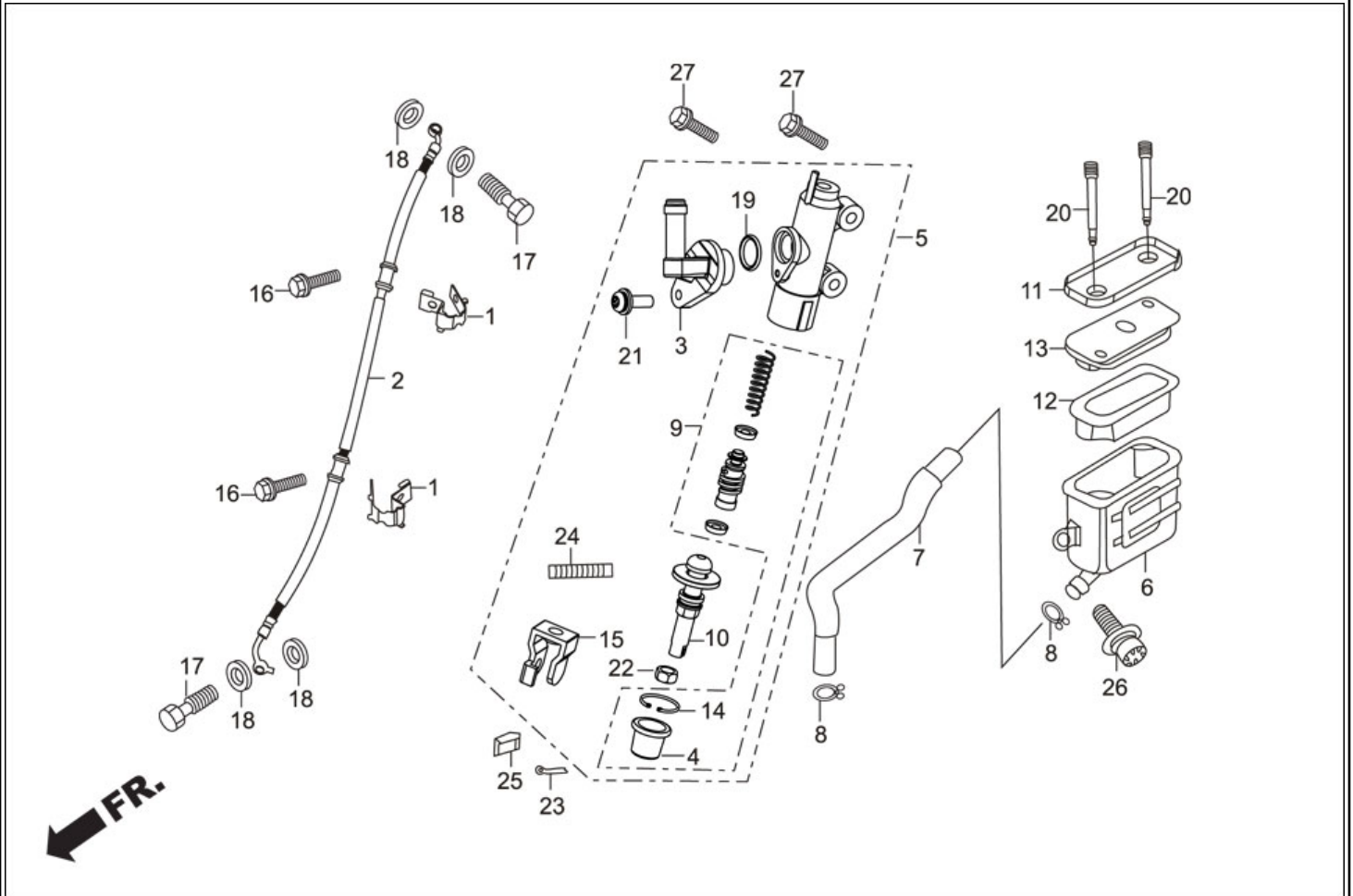


**Group Number:** F-9 Model :: Karizma ZMR (July, 2012)

Ref No.	Part Number	Description	Req.
1	42704-MB0-000	WEIGHT, BALANCE 10	1
	42705-MER-D00	WEIGHT, BALANCE 20	1
	42706-MB0-000	WEIGHT, BALANCE 30	1
2	42753-KWF-901	RIM, VALVE	1
3	44301-KPL-900	AXLE, FRONT WHEEL	1
4	44311-KRY-900	COLLAR, FR.WHEEL SIDE	1
5	44601-AAR-H71	WHEEL COMP FR	1
6	44620-400-000	COLLAR, FRONT DISTANCE	1
7	44711-KRY-971	TYRE,FR	1
8	44800-KRY-971	SENSOR ASSY,SPEED	1
9	45163-KRY-970	STAY,SENSOR CORD	1
10	45164-KRY-970	CLAMPER SP, SENSOR	1
11	45251-KRY-981	DISC, FRONT BRAKE	1
12	90105-KL8-741	BOLT, FR.DISK, 8 X 24	5
13	90306-KF0-000	NUT, FLANGE, 12 MM	1
14	91251-KPH-901	DUST SEAL, 21 X 37 X 7	1
15	91251-KPH-901	DUST SEAL, 21 X 37 X 7	1
16	96150-63010-10	BEARING, BALL RADIAL, 6301 (UU)	2



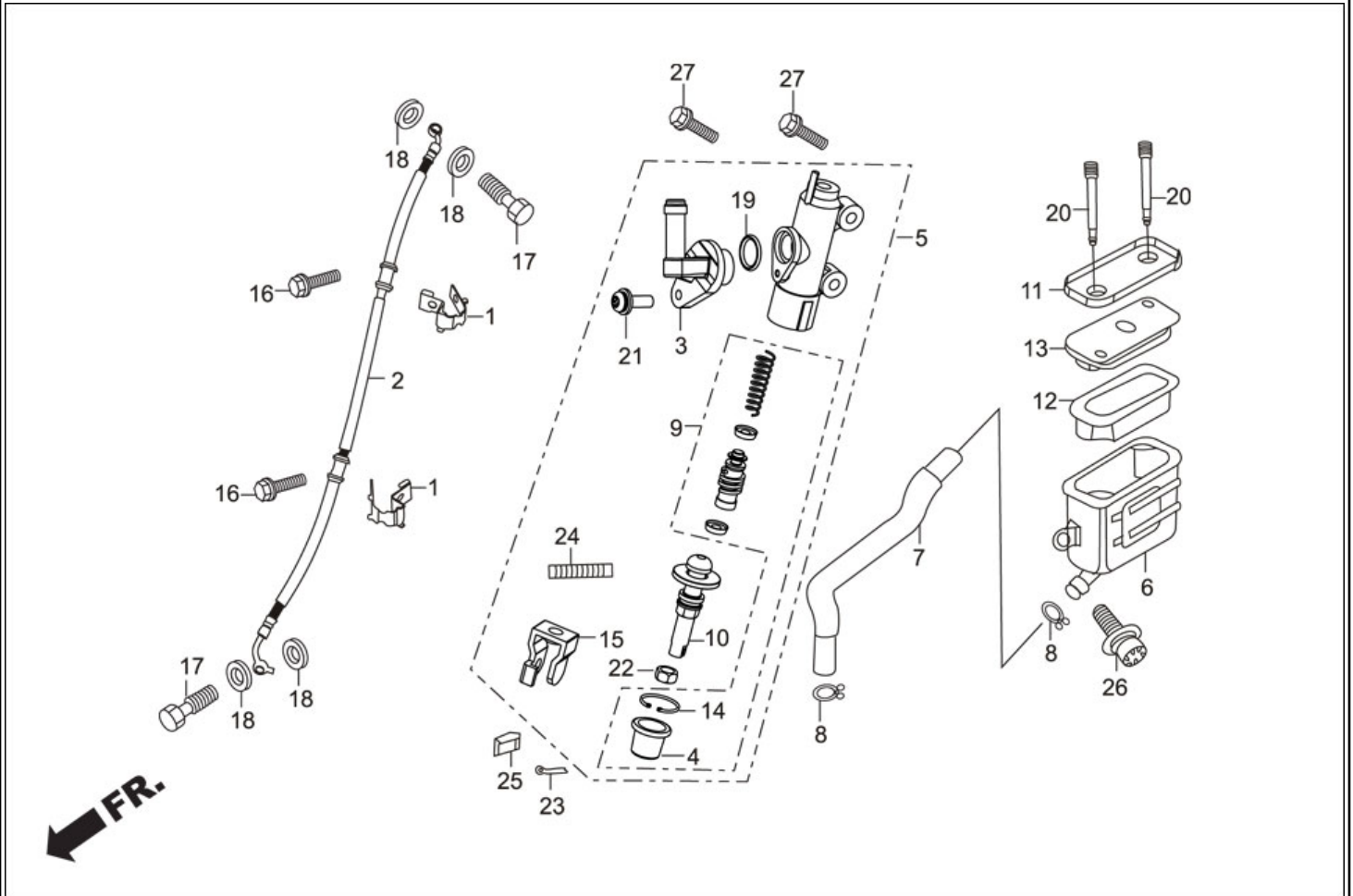
## F-10 : REAR BRAKE MASTER CYL.



**Group Number:** F-10 Model :: Karizma ZMR (July, 2012)

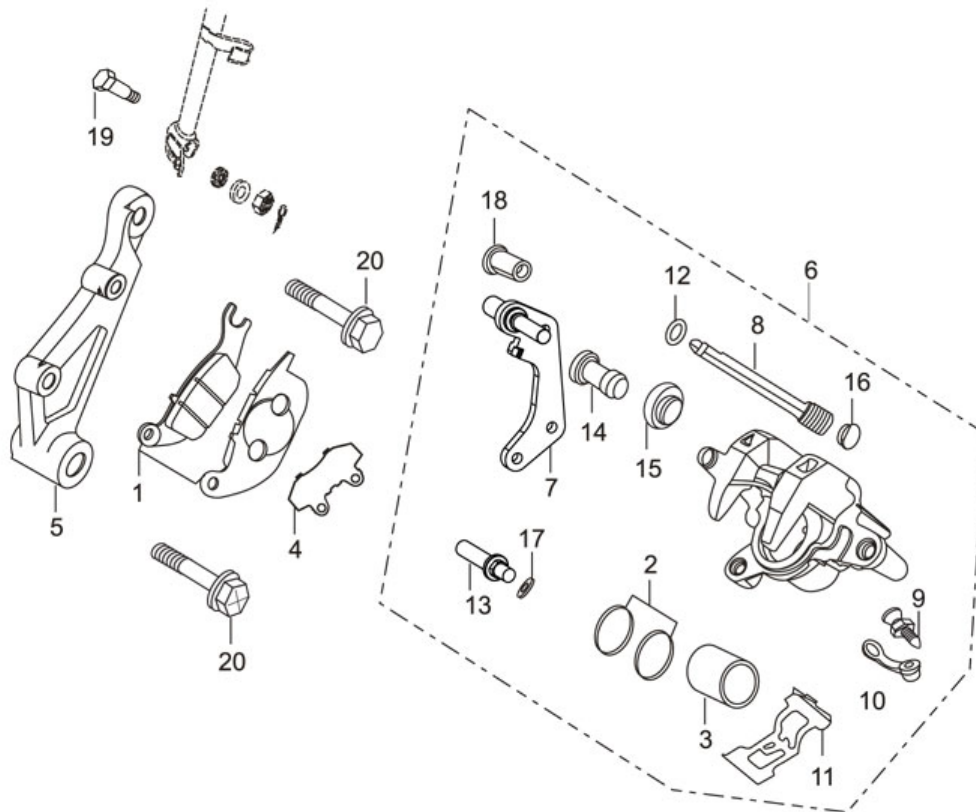
Ref No.	Part Number	Description	Req.
1	43155-KRY-970	CLAMPER RR BRAKE HOSE	2
2	43310-KRY-970	HOSE COMP. RR. BRAKE	1
3	43503-MEE-006	CONNECTOR	1
4	43504-MB2-006	BOOT COMP.	1
5	43510-KRY-971	M/C SUB ASSY REAR	1
6	43511-KW7-881	OIL CUP COMP.	1
7	43512-KRY-971	HOSE COMP RR M/C	1
8	43514-KS6-701	CLAMP. M/C OIL HOSE	2
9	43520-MJ6-315	PISTON SET M/C	1
10	43530-MV9-006	PUSH ROD COMP.	1
11	45513-GW0-911	CAP M/C	1
12	45520-GW0-911	DIAPHRAGM	1
13	45521-GW0-911	PLATE DIAPHRAGM	1
14	46182-MEL-D21	CIRCLIP	1
15	46504-KV6-702	JOINT BRK ROD	1
16	90103-MCS-G00	BOLT, FLANGE SH.6X12	2
17	90145-MS9-610	OIL BOLT, 10 X 22	2
18	90545-300-000	WASHER ,OIL BOLT	4
19	91212-422-006	O RING	1
20	93600-04045-1G	SCREW FLAT 4X45	2
21	93893-04012-17L	SCREW WASHER 4X12	1
22	94002-08000-0S	NUT HEX.8 MM	1
23	94201-20150	PIN, SPLIT, 2.0 X 15	1
24	94305-20102	PIN SPRING 2X10	1

## F-10 : REAR BRAKE MASTER CYL.



25	95015-54000	PIN D JOINT	1
26	95701-06012-00	BOLT, FLANGE, 6X12	1
27	95701-06022-08	BOLT FLANGE, 6 X 22	2

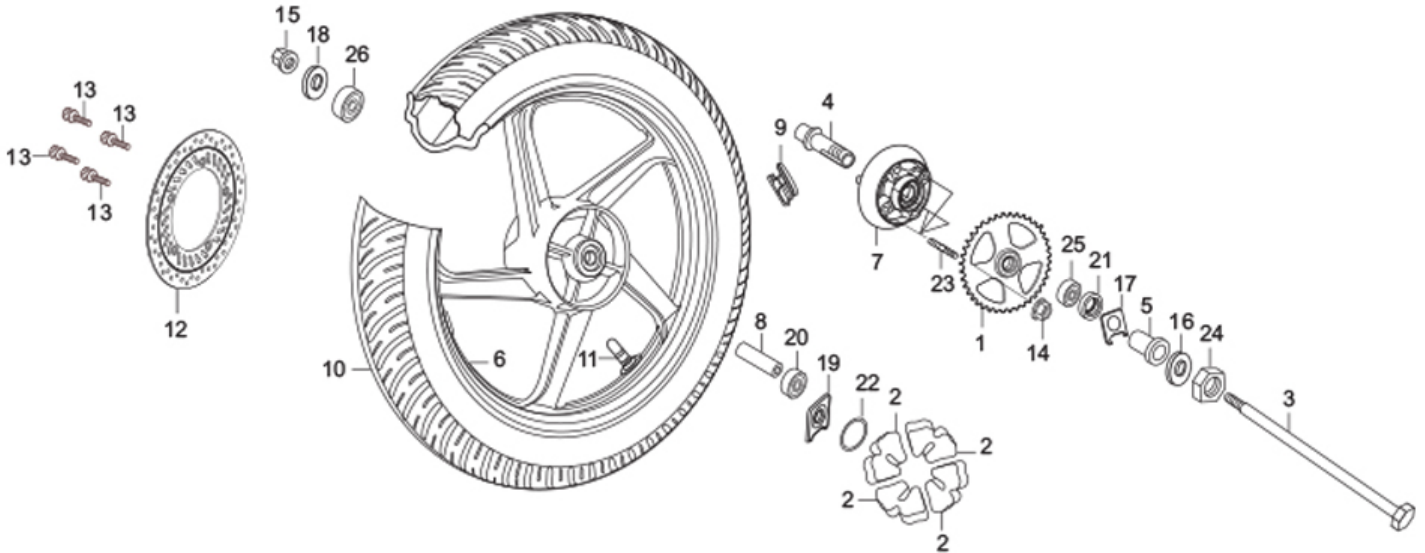
## F-10A : CALIPER ASSY. REAR



**Group Number:** F-10A Model :: Karizma ZMR (July, 2012)

Ref No.	Part Number	Description	Req.
1	06435-KRY-971	PAD SET, RR.	1
2	06451-MA7-405	SEAL SET, PISTON	1
3	43107-MA7-006	PISTON	1
4	43114-KRY-971	SHIM B	1
5	43115-KRY-971	HOLDER RR. CALIPER	1
6	43150-KRY-971	CALIPER SUB ASSY, RR	1
7	43190-KRY-971	BRKT SUB ASSY, RR.	1
8	43215-KGH-901	PIN,HANGER	2
9	43352-568-003L	SCREW BLEEDER	1
10	43353-461-771L	CAP BLEEDER	1
11	45108-ML7-922	SPRING,PAD	1
12	45111-MAJ-G41	STOPPER RING	1
13	45131-GZ0-006L	PIN BOLT	1
14	45132-166-016L	BUSH BOOT PIN	1
15	45133-MA3-006L	BOOT B	1
16	45203-MCC-006	PLUG,PIN	1
17	45216-166-006	WASHER, WAVE	1
18	45216-KPP-861	TORQUE NUT	1
19	90127-KRY-970	BOLT TORQUE LINK	1
20	90155-KY4-900	BOLT, FLANGE, 8 X 25	2

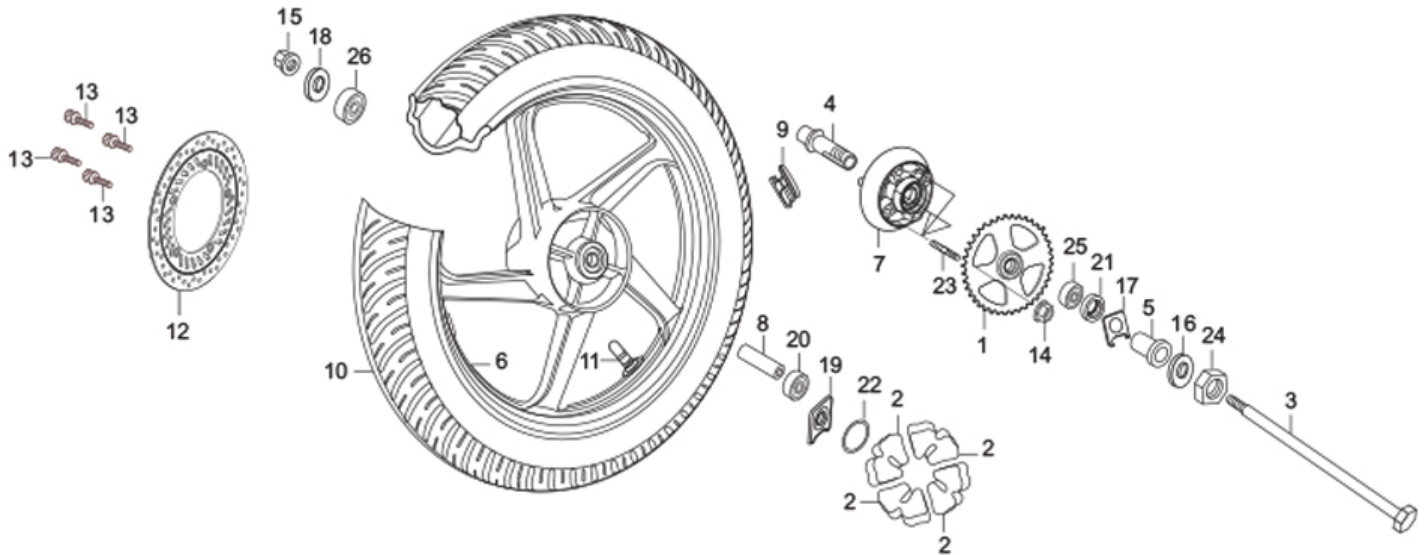
## F-11 : REAR WHEEL



**Group Number:** F-11 Model :: Karizma ZMR (July, 2012)

Ref No.	Part Number	Description	Req.
1	41201-KRY-900	SPROCKET, FINAL DRIVEN (40 T)	1
2	41241-KSP-900	DAMPER, RR WHEEL	4
3	42301-KRY-900	AXLE, REAR WHEEL	1
4	42303-KRY-931	SLEEVE, REAR WHEEL	1
5	42311-KRY-930	COLLAR, RR WHEEL SIDE	1
6	42601-AAR-H71	WHEEL COMP RR	1
7	42611-KRY-930	FLANGE, FINAL DRIVEN(NH-35M)	1
8	42620-KSP-900	COLLAR, REAR AXLE DISTANCE	1
9	42704-MER-D00	WEIGHT, BALANCE 10	1
	42705-MER-D00	WEIGHT, BALANCE 20	1
	42706-MB0-000	WEIGHT, BALANCE 30	1
10	42711-KRY-971	TYRE,RR	1
11	42753-KWF-901	RIM, VALVE	1
12	43251-KRY-981	DISK, REAR BRAKE	1
13	90105-KL8-741	BOLT, FR.DISK, 8 X 24	4
14	90304-KCS-920	NUT U 10 MM	4
15	90305-KVN-900	NUT, FLG. PT. 14 MM	1
16	90559-KRY-970	WASHER, L RR AXLE	1
17	90559-KRY-970	WASHER, L RR AXLE	1
18	90560-KRY-970	WASHER, R RR AXLE	1
19	90560-KRY-970	WASHER, R RR AXLE	1
20	91253-KSP-901	DUST SEAL, 30 X 47 X 8	1
21	91257-230-003	OIL SEAL 28X42X7	1
22	91352-KSP-900	O RING, 51 X 2	1

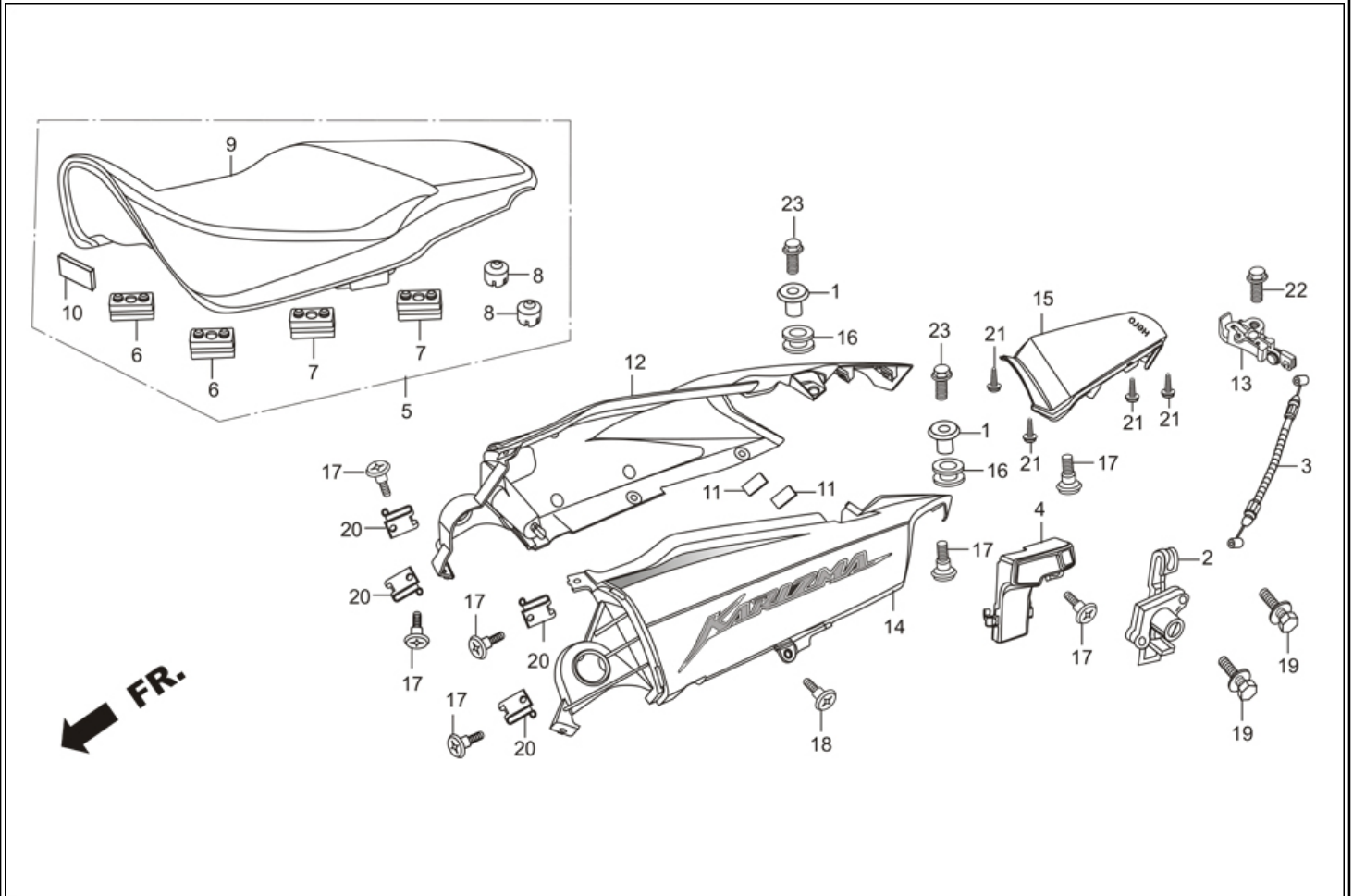
## F-11 : REAR WHEEL



← FR.

23	92915-10025-0E	BOLT, STUD II, 10X25	4
24	95020-15100	NUT `E STEM	1
25	96140-63020-10	BRG., BALL RADIAL, 6302 (U)	1
26	96150-60050-10	BEARING, BALL RADIAL, 6005	1

## F-12 : SEAT ASSY. / COWL REAR

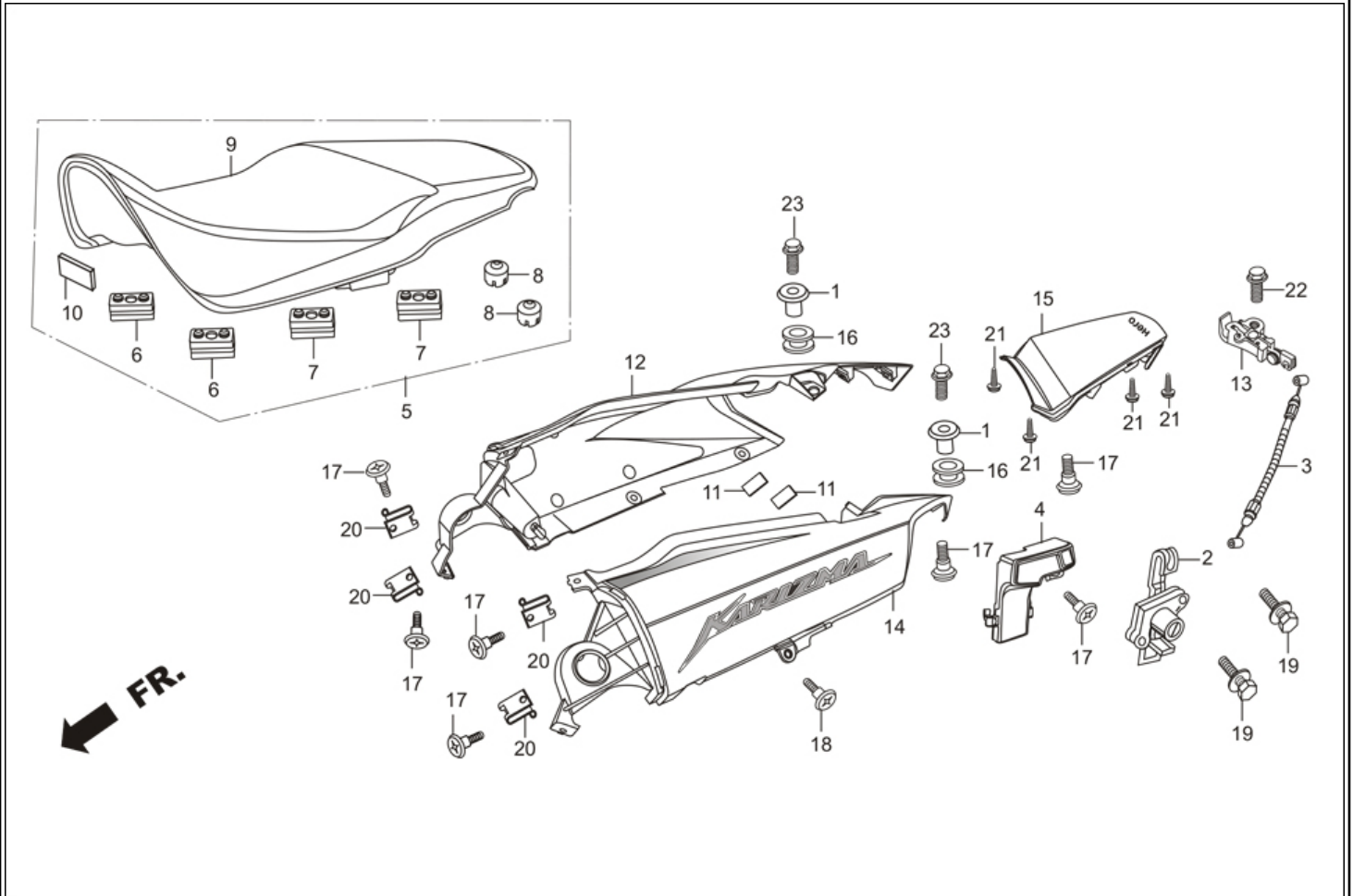


**Group Number:** F-12 Model :: Karizma ZMR (July, 2012)

Ref No.	Part Number	Description	Req.
1	19052-KV0-000	COLLAR, RADIATOR MTG	2
2	7711A-ML7-920	LOCK ASSY.,SEAT (WITH KEY)	1
3	77156-KRY-900	CABLE,SEAT LOCK	1
4	77160-KRY-970	COVER , SEAT LOCK CABLE	1
5	77200-KRY-980	SEAT COMP., DOUBLE	1
6	77204-KRY-970	RUBBER A SEAT SETTING	2
7	77205-286-000	RUBBER `B SEAT SETTING	2
8	77206-KFN-850	RUBBER SEAT CUSHION	2
9	7720A-KRY-980	COVER, SEAT COMP., DOUBLE	1
10	77211-KCC-900	CUSHION, SEAT	1
11	77211-KRY-970	CUSHION RR. COWL	2
12	77215-KRY-980ZC	SET, R RR COWL (CANDY BLAZING RED)	1
	77215-KRY-970ZA	SET, R RR. COWL(PNB)	1
	77215-KRY-970ZC	SET, R RR. COWL(PFW)	1
	77215-KRY-980ZD	SET, R RR COWL (VIBRANT ORANGE)	1
13	77220-KY6-000	HOOK, SEAT CATCH	1
14	77225-KRY-980ZC	SET, L RR COWL (CANDY BLAZING RED)	1
	77225-KRY-970ZA	SET, L RR. COWL(PNB)	1
	77225-KRY-970ZC	SET, L RR. COWL(PFW)	1
	77225-KRY-980ZD	SET, L RR COWL (VIBRANT ORANGE)	1
15	77280-AAR-H70ZA	SET, CENTER RR.COWL(NH-B08M,PANTHER BLACK METALLIC)	1
	77280-AAR-H70ZB	SET, CENTER RR.COWL(NH-341P(T1),PEARL FADELESS WHITE (TYPE-1))	1
	77280-AAR-H80ZC	SET, CENTER RR.COWL(CANDY BLAZING RED, R-195C)	1



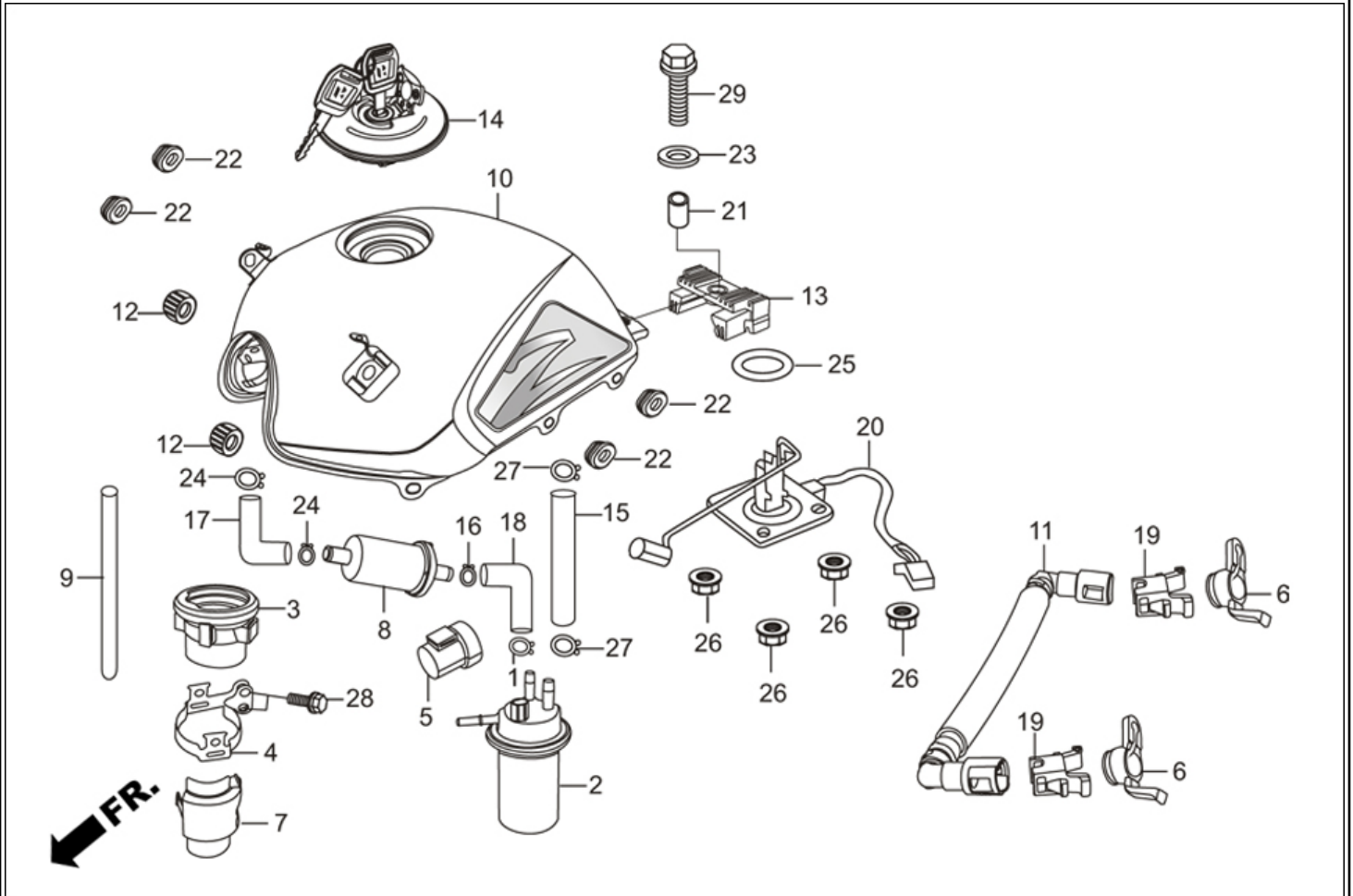
## F-12 : SEAT ASSY. / COWL REAR



	77280-AAR-H80ZD	SET, CENTER RR.COWL(YR-250,VIBRANT ORANGE)	1
16	83545-KCJ-690	RUBBER, SIDE COVER	2
17	90101-GE0-000	SCREW, HINGE PATCH	7
18	90103-KVN-900	SCREW, PAN 5 X 13.5	1
19	90107-GZ4-670	BOLT, BREAK OFF	2
20	90320-GC3-000	NUT, SPRING, M5	4
21	93903-25210	SCREW, TAPPING, 5X12	4
22	95701-06012-00	BOLT, FLANGE, 6X12	1
23	95701-06020-00	BOLT, FLANGE, 6X20	2



## F-13 : FUEL TANK



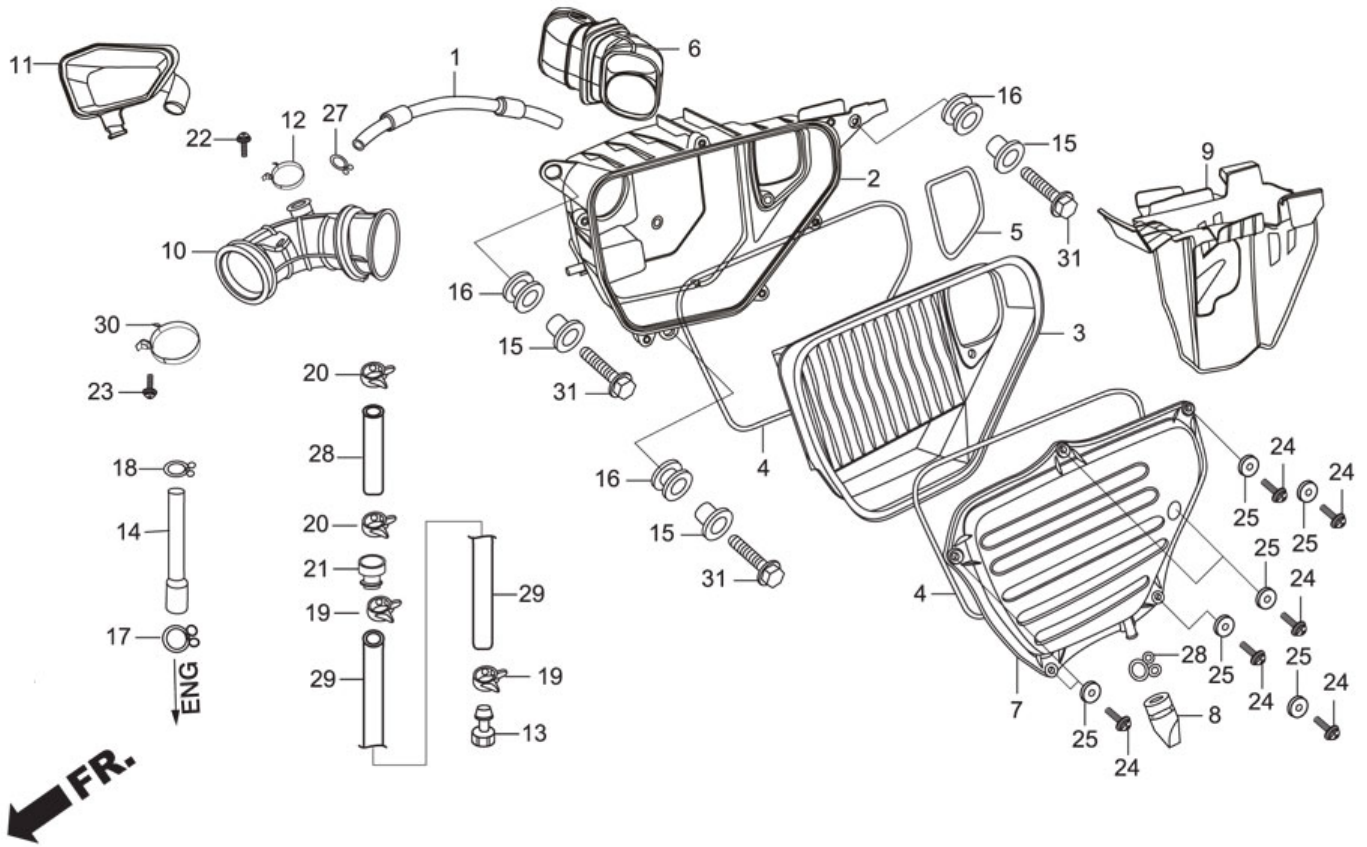
22	83551-300-000	GROMMET, AIR CLEANER CASE	4
23	90534-MV4-000	WASHER ,8.5X28	1
24	90601-KAF-003	CLIP, SW. COVER	2
25	91305-MC7-000	O-RING, 39.5 X 5	1
26	94050-06000	NUT, FLANGE, 6 MM	4
27	95002-02130	CLIP B 12.5 TUBE	2
28	95701-06016-00	BOLT, FLANGE, 6X16	2
29	95701-08025-08	BOLT, FLANGE, 8X25	1

## F-14 : SIDE COVER

**Group Number:** F-14 **Model ::** Karizma ZMR (July, 2012)

Ref No.	Part Number	Description	Req.
1	19052-KV0-000	COLLAR, RADIATOR MTG	2
2	83500-KRY-970ZC	SET, R SIDE COVER A(PFW)	1
	83500-KRY-970ZA	SET, R SIDE COVER A(PNB)	1
	83500-KRY-980ZC	SET, R SIDE COVER A (CANDY BLAZING RED)	1
	83500-KRY-980ZD	SET, R SIDE COVER A (VIBRANT ORANGE)	1
3	83545-KCJ-690	RUBBER, SIDE COVER	2
4	83550-AAR-H70	SET, R SIDE COVER B	1
5	83600-KRY-970ZC	SET, L SIDE COVER A(PFW)	1
	83600-KRY-970ZA	SET, L SIDE COVER A(PNB)	1
	83600-KRY-980ZC	SET, L SIDE COVER A (CANDY BLAZING RED)	1
	83600-KRY-980ZD	SET, L SIDE COVER A (VIBRANT ORANGE)	1
6	83650-AAR-H70	SET, L SIDE COVER B	1
7	90105-KVN-900	BOLT, SPECIAL 6 X 22	2
8	93903-25210	SCREW, TAPPING, 5X12	6

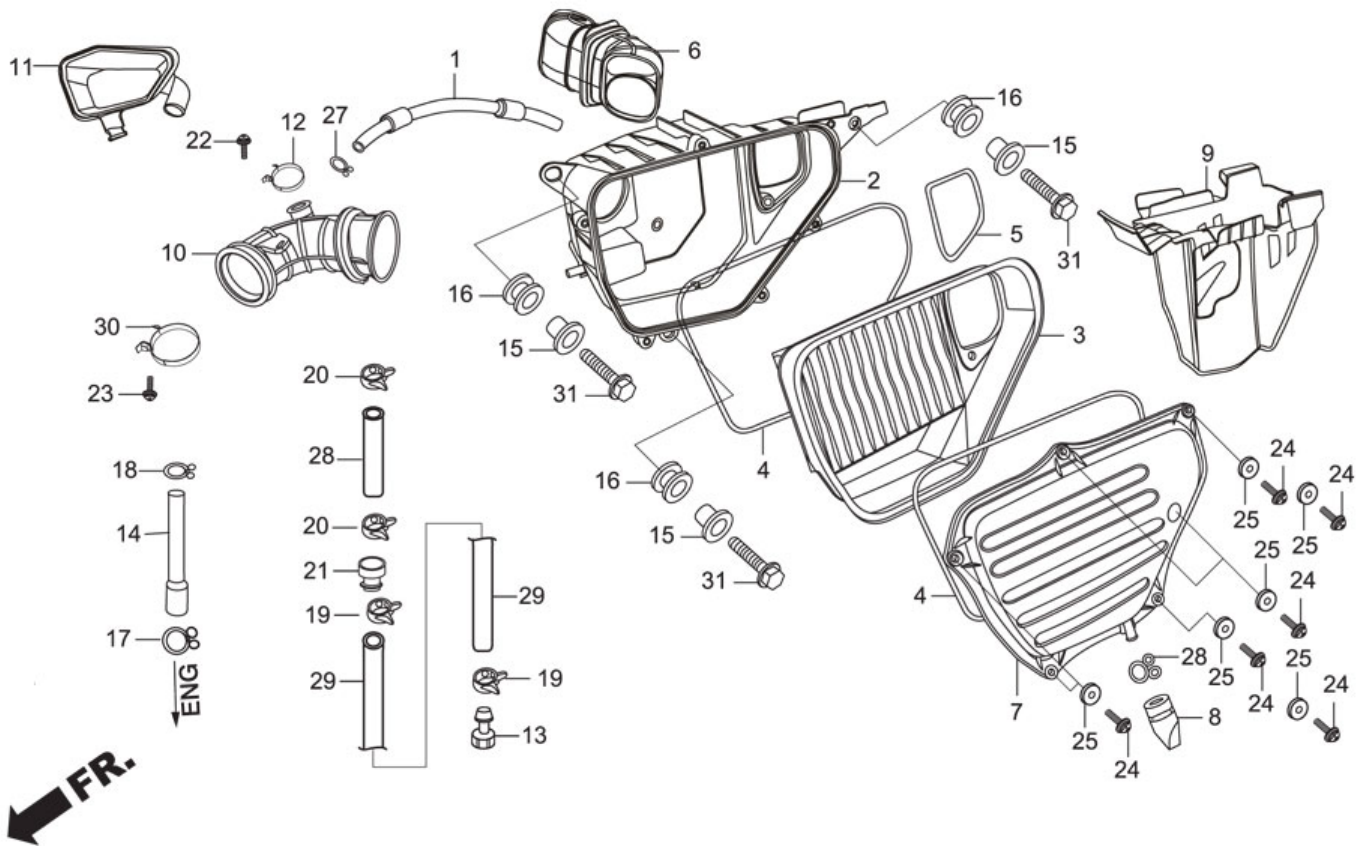
## F-15 : AIR CLEANER



**Group Number: F-15 Model :: Karizma ZMR (July, 2012)**

Ref No.	Part Number	Description	Req.
16	83545-KCJ-690	RUBBER, SIDE COVER	3
17	90601-KAF-003	CLIP, SW. COVER	1
18	90651-MK3-780	CLIP, B 12.5 TUBE	1
19	91405-KFN-850	CLAMP, D-17 TUBE	2
20	91406-KFN-850	CLAMP, D14.5 TUBE	2
21	91463-393-780	JOINT, TUBE	1
22	93500-04025-0G	SCREW, PAN, 4X25	1
23	93500-04032-0G	SCREW, PAN, 4 X 32	1
24	93500-05016-0A	SCREW, PAN, 5 X 16	6
25	94101-05000	WASHER , PLAIN, 5MM	6
26	95002-02080	CLIP, TUBE	1
27	95002-80000	CLIP,C12 TUBE	1
28	95003-37015-31	VINYL TUBE,11X15X150	1
29	95005-12280-20	TUBE,12X280	1
30	95018-50250	BAND 50 AIR/C CONN.TUBE	1
31	95701-06020-00	BOLT, FLANGE, 6X20	3
1	16199-KRY-900	TUBE, AIR VENT	1
2	17210-KRY-970H	CASE COMP, AIR/C.	1
3	17211-AAP-000	ELEMENT COMP, AIR/C	1
4	17213-KRY-900	SEALA AIR CLEANER	2
5	17214-KRY-900	SEAL B AIR CLEANER	1
6	17219-KRY-970	DUCT, AIR/C	1
7	17220-KRY-970H	COVER, AIR/C CASE	1
9	17234-KRY-970	COVER, AIR/C DUCT	1

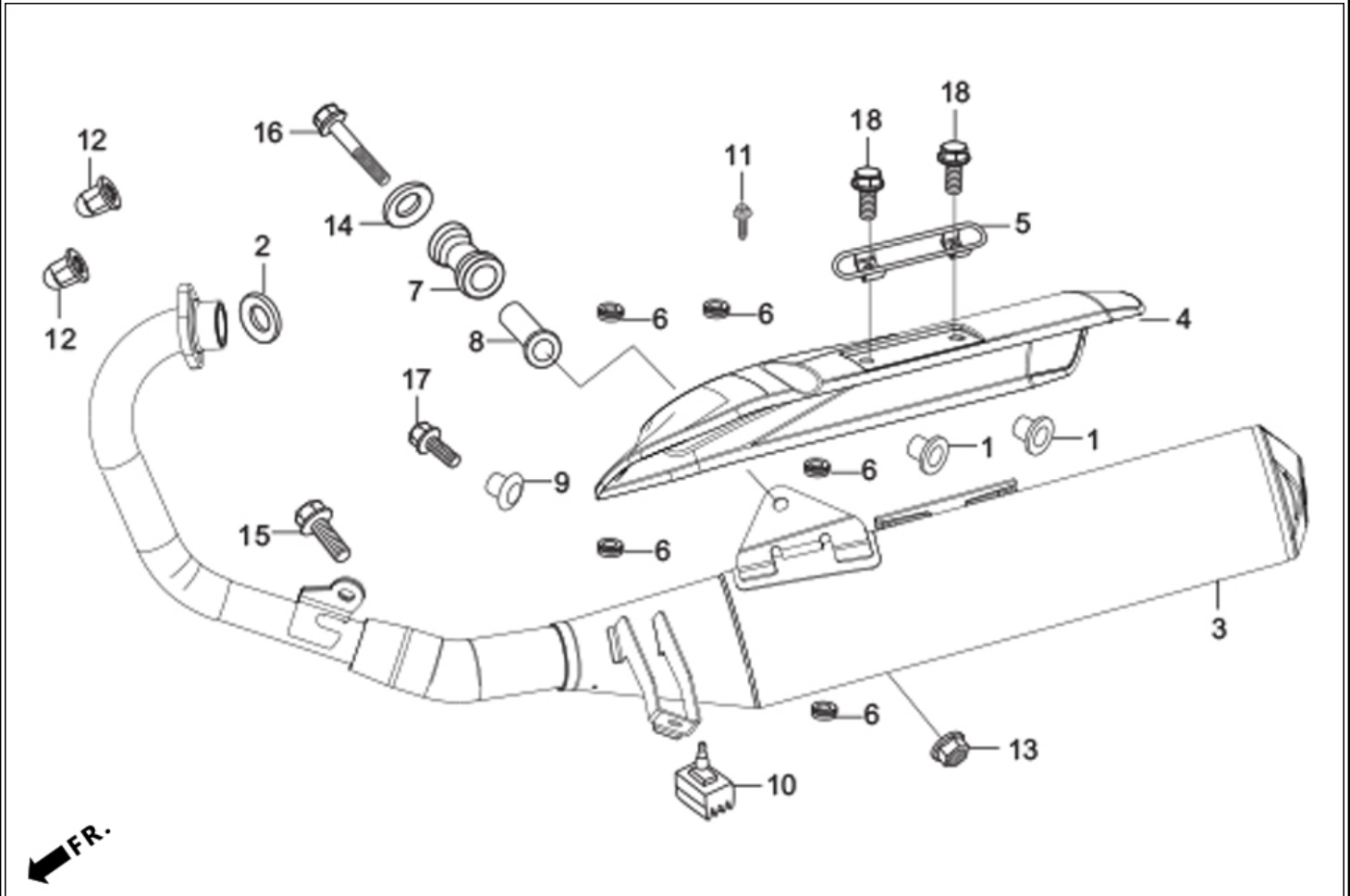
## F-15 : AIR CLEANER



8	17234-KS4-770	TUBE,AIR CLEANER DRAIN	1
10	17253-KRY-970	TUBE, AIR/C CONN	1
11	17311-KRY-970	RESONATOR	1
12	17312-KFN-880	BAND, RESONATOR	1
13	17370-382-870	PLUG, BREATHER TUBE	1
14	17371-KRY-900	TUBE, MISSION BREATHER	1
15	19052-KV0-000	COLLAR, RADIATOR MTG	3



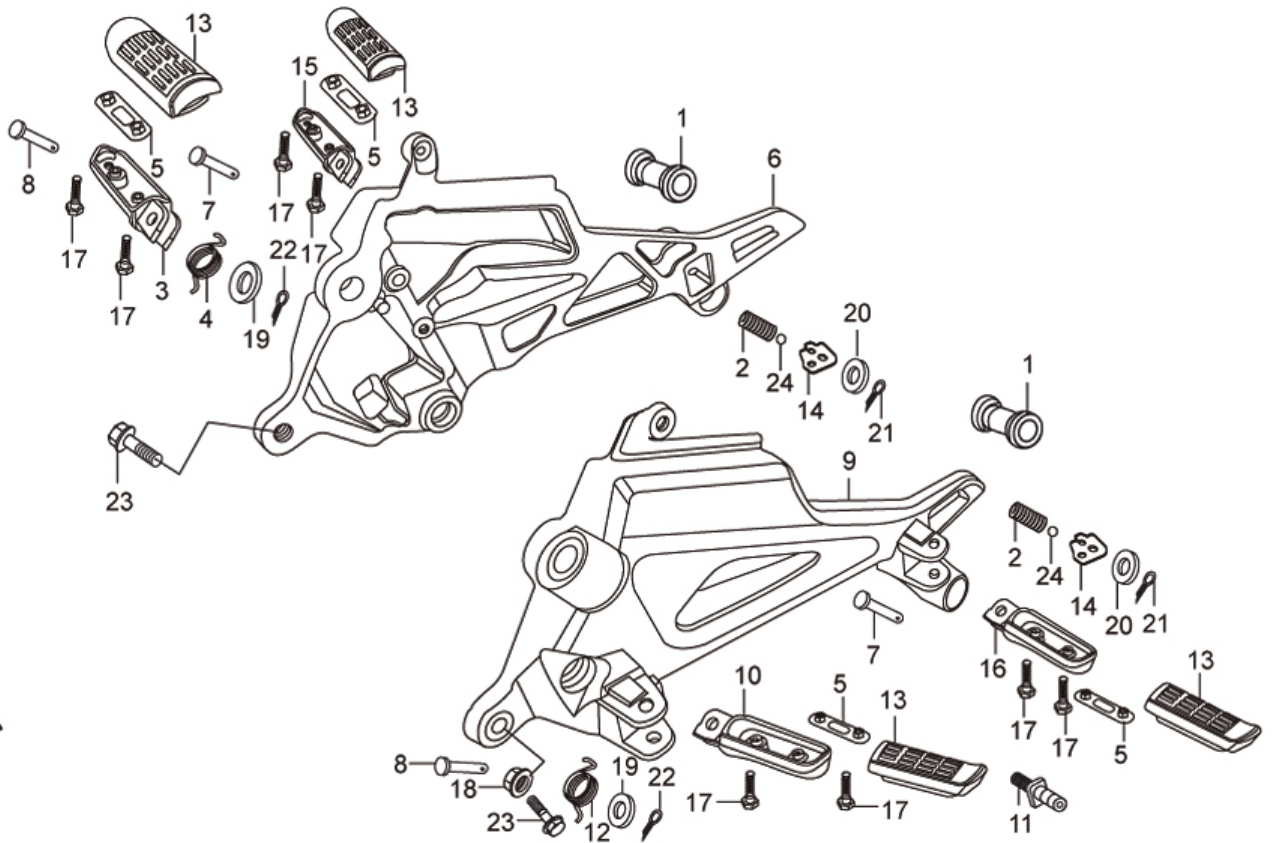
## F-16 : EXHAUST MUFFLER



**Group Number:** F-16 Model :: Karizma ZMR (July, 2012)

Ref No.	Part Number	Description	Req.
1	18201-KRY-970	COLLAR , MUFFLER MOUNT	2
2	18291-KRY-930	GASKET, EXHAUST PIPE	1
3	18300-AAR-H00	MUFFLER COMP EXH	1
4	18311-KRY-980	COVER COMP MUFFLER	1
5	18317-KRY-970	PROTECTOR, MUFF.	1
6	18345-MBT-610	RUBBER, PROTECTOR, MOUNT	5
7	18421-438-000	RUBBER, MUFFLER MOUNT	1
8	18442-KRC-900	COLLAR, MUFFLER MOUNT	1
9	33619-459-840A	COLLAR,WINKER STAY	1
10	50505-KCC-900	STOPPER RUBBER, A STAND	1
11	90107-KST-940	SCREW MUFF. PROTECTOR MOUNT	1
12	90305-KSP-900	NUT, 8MM EXP.	2
13	94050-10000	NUT, FLANGE, 10MM	1
14	94103-10000	WASHER, PLAIN, 10MM	1
15	95701-10020-00	BOLT, FLANGE, 10X20	1
16	95801-10055-00	BOLT, FLANGE, 10X55	1
17	96001-06012-07	BOLT, FLANGE, SH., 6 X 12	1
18	96001-06016-02	BOLT, FLANGE, SH. 6 X 16	2

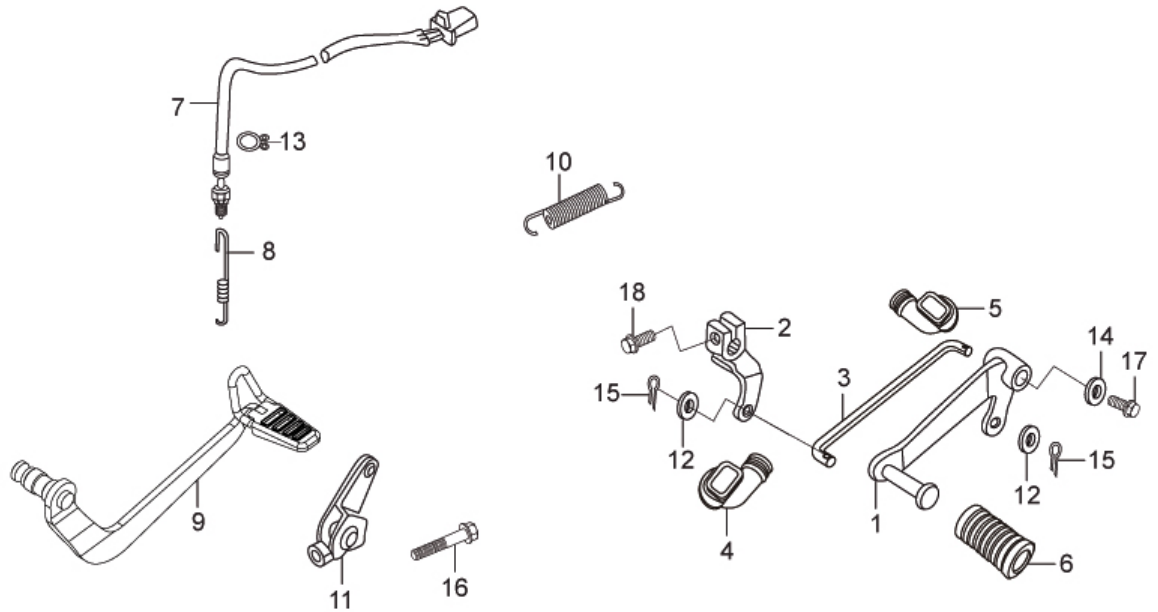
## F-17 : STEP PILLION



**Group Number:** F-17 Model :: Karizma ZMR (July, 2012)

Ref No.	Part Number	Description	Req.
1	18421-438-000	RUBBER, MUFFLER MOUNT	2
2	28333-300-000	SPRING KICK STARTER STOPPER	2
3	50612-KRY-970	ARM, R. STEP	1
4	50617-445-840	SPG. R STEP RETURN	1
5	50619-KRY-970	PLATE STEP SET	4
6	50630-KRY-970	HOLDER, R STEP	1
7	50638-KRY-970	PIN, STEP BAR PILLION	2
8	50639-KRY-970	PIN, STEP BAR	2
9	50640-KRY-970	HOLDER, L STEP	1
10	50642-KRY-970	ARM, L. STEP	1
11	50643-KRY-970	PIVOT,CHNG PEDAL	1
12	50644-445-840	SPG. L STEP RETURN	1
13	50661-KRY-970	RUBBER, STEP	4
14	50718-KRY-970	PLATE, P STEP CLICK	2
15	50720-KRY-970	ARM, R PILLION STEP	1
16	50730-KRY-970	ARM, L PILLION STEP	1
17	90115-MV9-000	BOLT, M. STEP RUB.SET	8
18	94050-08080	NUT,FLANGE,8 MM	1
19	94101-06000	WASHER, PLAIN, 6 MM	2
20	94102-08000	WASHER, PLAIN, 8MM	2
21	94201-16120	PIN, SPLIT, 1.6 X 12	2
22	94201-20150	PIN, SPLIT, 2.0 X 15	2
23	95701-10025-00	BOLT, FLANGE, 10 X 25	2
24	96211-08000	BALL STEEL 8 MM	2

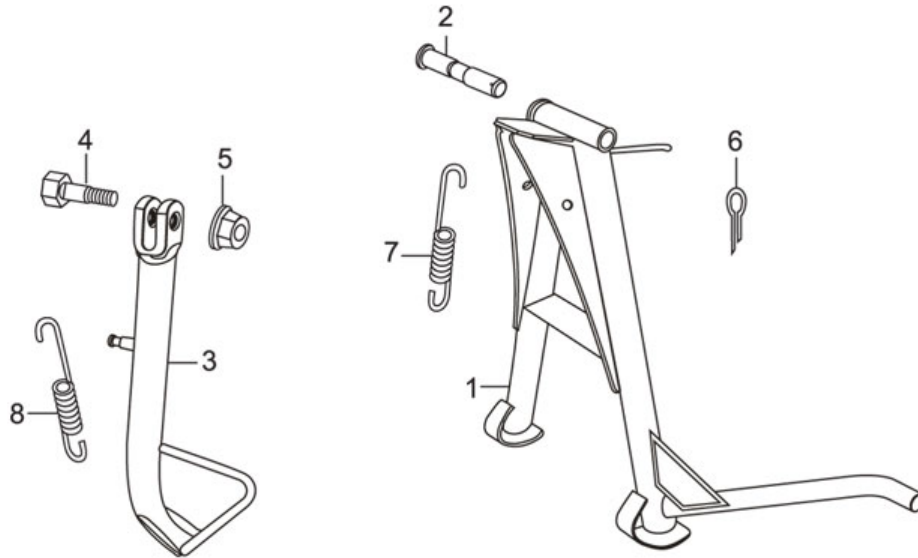
## F-18 : GEAR CHANGE PEDAL



**Group Number:** F-18 Model :: Karizma ZMR (July, 2012)

Ref No.	Part Number	Description	Req.
1	24701-KRY-970	PEDAL, GEAR CHANGE	1
2	24711-KRY-970	ARM, GEAR CHANGE	1
3	24720-KRY-970	TIE ROD	1
4	24721-GS3-000	COVER,CHANGE PEDAL	1
5	24721-KRY-970	COVER,CHNG.PEDAL	1
6	24781-KR3-770	RUBBER, CHANGE PEDAL	1
7	35350-KFN-850	SW.ASSY.RR.STOP	1
8	35357-KCT-690	SPRING STOP SWITCH	1
9	46500-KRY-980	PEDAL, BRAKE	1
10	46514-KN5-670	SPG. BRAKE PEDAL	1
11	46515-KRY-970	ARM COMP, MIDDLE	1
12	90502-155-000	WASHER,PLAIN,7MM	2
13	90601-KAF-003	CLIP, SW. COVER	1
14	94103-06000	WASHER PLAIN,6MM	1
15	94201-20150	PIN, SPLIT, 2.0 X 15	2
16	95801-08028-07	BOLT, FLANGE 8 X 28	1
17	96001-06012-00	BOLT,FLANGE,SH.,6 X 12	1
18	96001-06020-00	BOLT, FLANGE, SH. 6 X 20	1

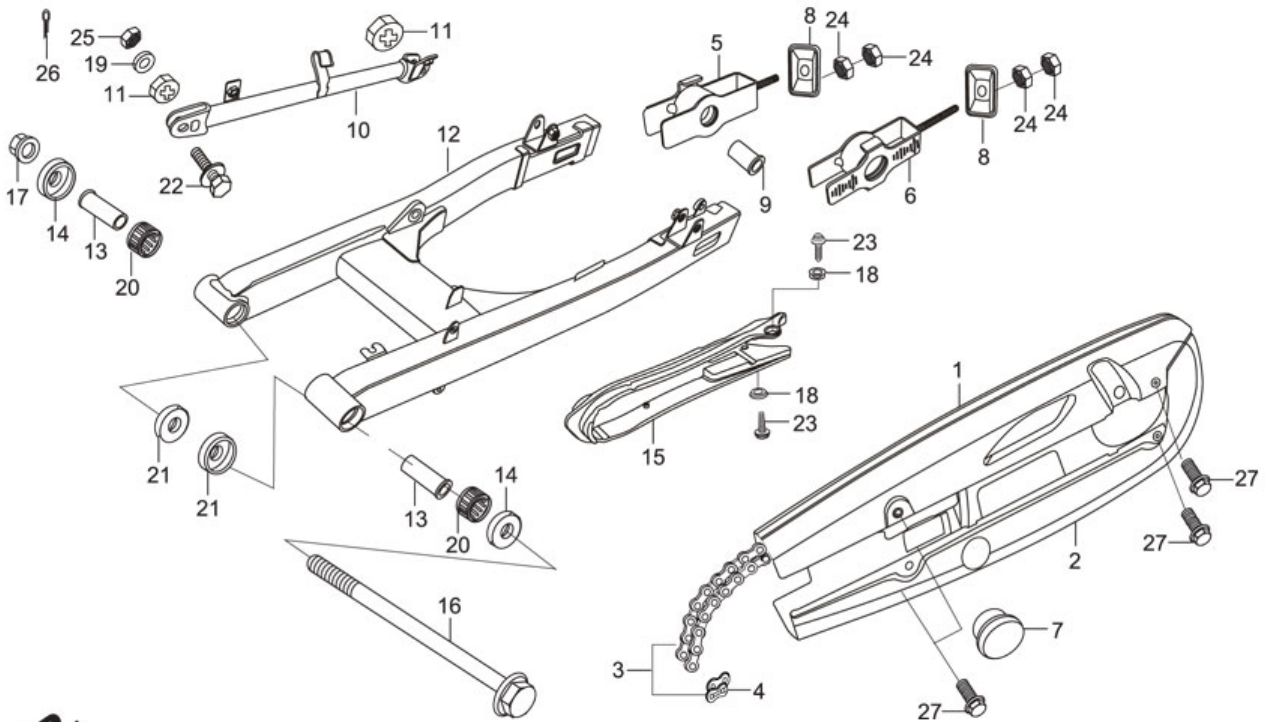
## F-18A : MAIN STAND / SIDE STAND



**Group Number:** F-18A Model :: Karizma ZMR (July, 2012)

Ref No.	Part Number	Description	Req.
1	50500-KRY-970	STAND COMP, MAIN	1
2	50526-KCT-690	SHAFT, MAIN STAND PIVOT	1
3	50530-KRY-970	BAR COMP.SIDE STAND	1
4	90107-GN1-010	SCREW SIDE STAND PIVOT	1
5	90304-KFN-850	NUT U 10 MM	1
6	94201-30300	PIN, SPLIT 3 X 30MM	1
7	95014-71702	SPRING G MAIN STAND	1
8	95014-72102	SPRING, SIDE STAND	1

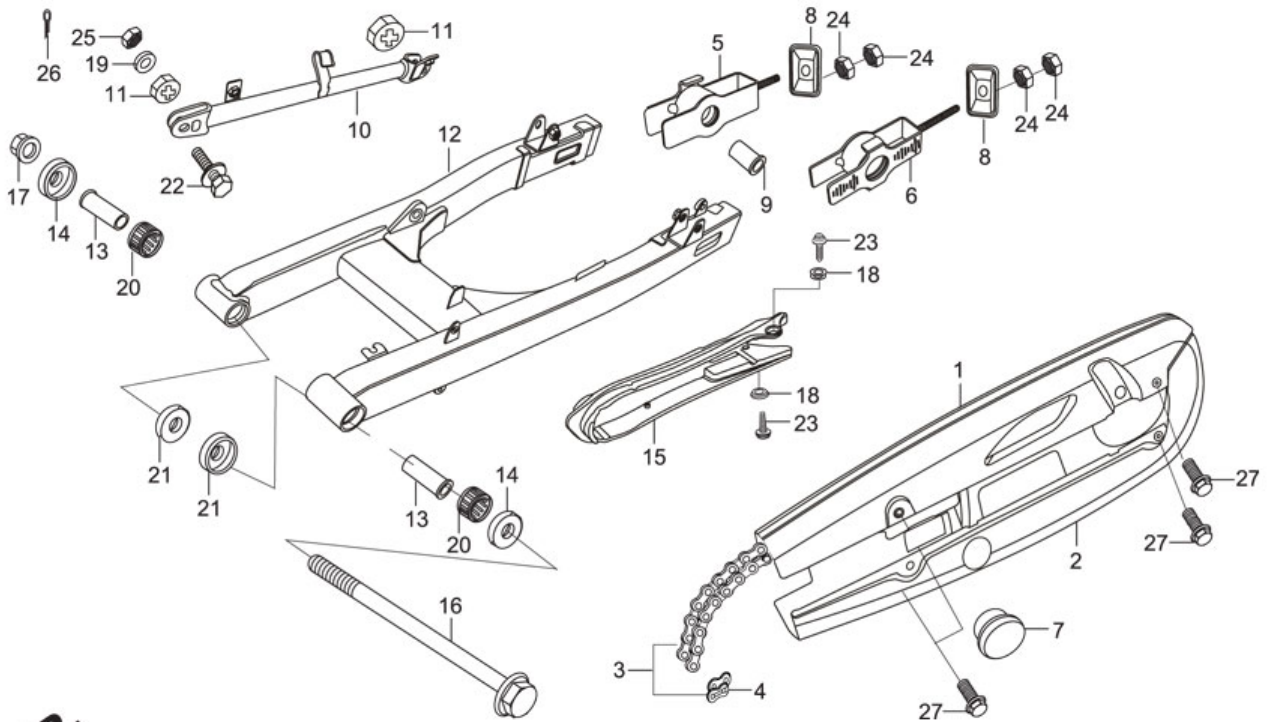
## F-19 : SWINGARM / CHAIN CASE



**Group Number: F-19 Model :: Karizma ZMR (July, 2012)**

Ref No.	Part Number	Description	Req.
1	40510-KRY-970	CASE, UP HALF DRIVE CHAIN	1
2	40520-KRY-970	CASE, UND HALF DRIVE CHAIN	1
3	40530-KRY-900	CHAIN DRIVE 520-108	1
4	40531-KRY-900	JOINT, DRIVE CHAIN	1
5	40543-KRY-900	ADJUSTER, R CHAIN	1
6	40544-KRY-900	ADJUSTER, L CHAIN	1
7	40545-001-000	CAP, CHAIN PEEP HOLE	1
8	40546-KRY-900	CAP, REAR FORK END	2
9	42313-KRY-970	COLLAR RR. BRAKE SIDE	1
10	43431-KRY-970	ARM COMP. RR BRAKE STOPPER	1
11	43434-ME1-670	RUBBER, STOPPER ARM	2
12	52110-KRY-970	SWINGARM COMP. RR	1
13	52142-KRY-970	COLLAR PIVOT DIST.	2
14	52144-GC4-005	DUST, SEAL CAP RR. SWINGRAM	2
15	52170-KRY-900	SLIDER CHAIN	1
16	90121-KBW-900	BOLT, SWING ARM (PIVOT)	1
17	90305-KVN-900	NUT, FLG. PT. 14 MM	1
19	90505-425-000	WASHER, 8 MM	1
18	90556-044-000	WASHER, FENDER SETTING	2
20	91071-KVN-900	BRG, NEEDLE 20X26X20	2
	91071-KVN-900	BRG, NEEDLE 20X26X20	2
21	91254-KS6-003	DUST SEAL 20 X 26 X 4.5	2
22	92811-10000	BOLT A BRAKE STOPPER	1
23	93901-25020	SCREW, TAPPING, 5X8	2

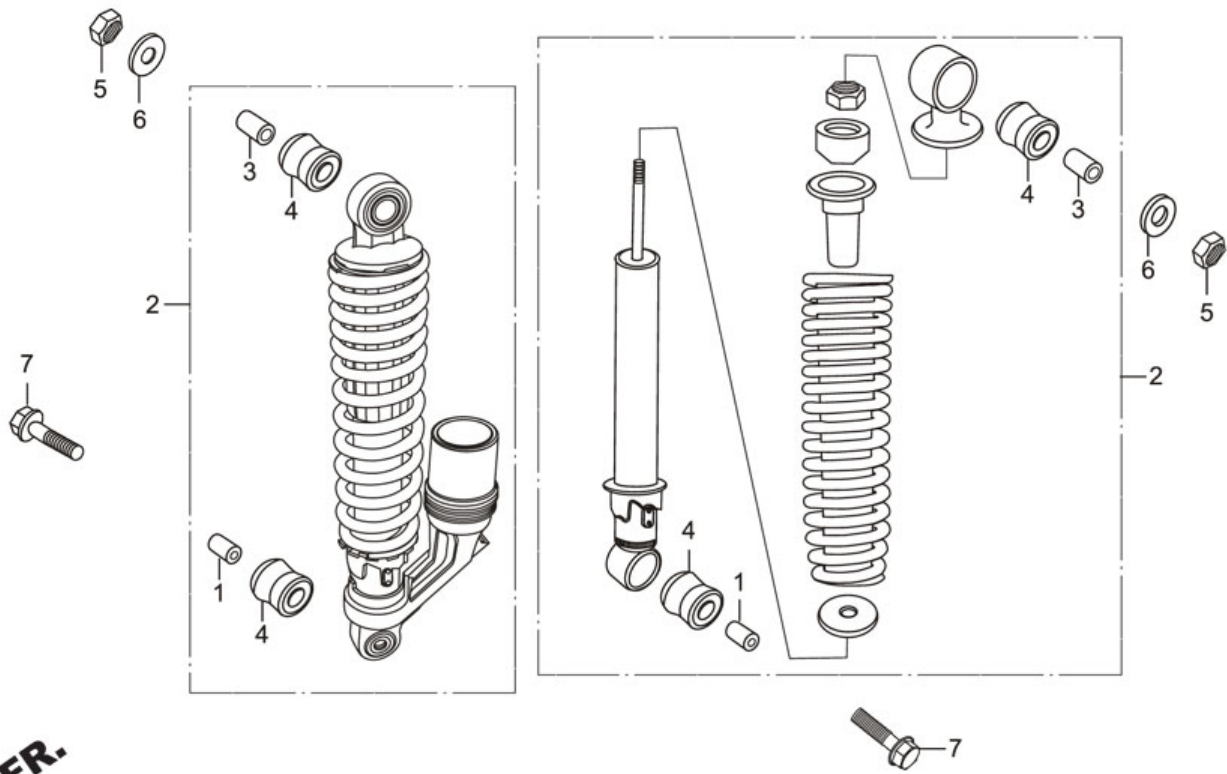
## F-19 : SWINGARM / CHAIN CASE



24	94001-06000-0S	NUT, HEX., 6 MM	4
25	94001-08000-0S	NUT, HEX., 8 MM	1
26	94201-20150	PIN, SPLIT, 2.0 X 15	1
27	95701-06012-00	BOLT, FLANGE, 6X12	4



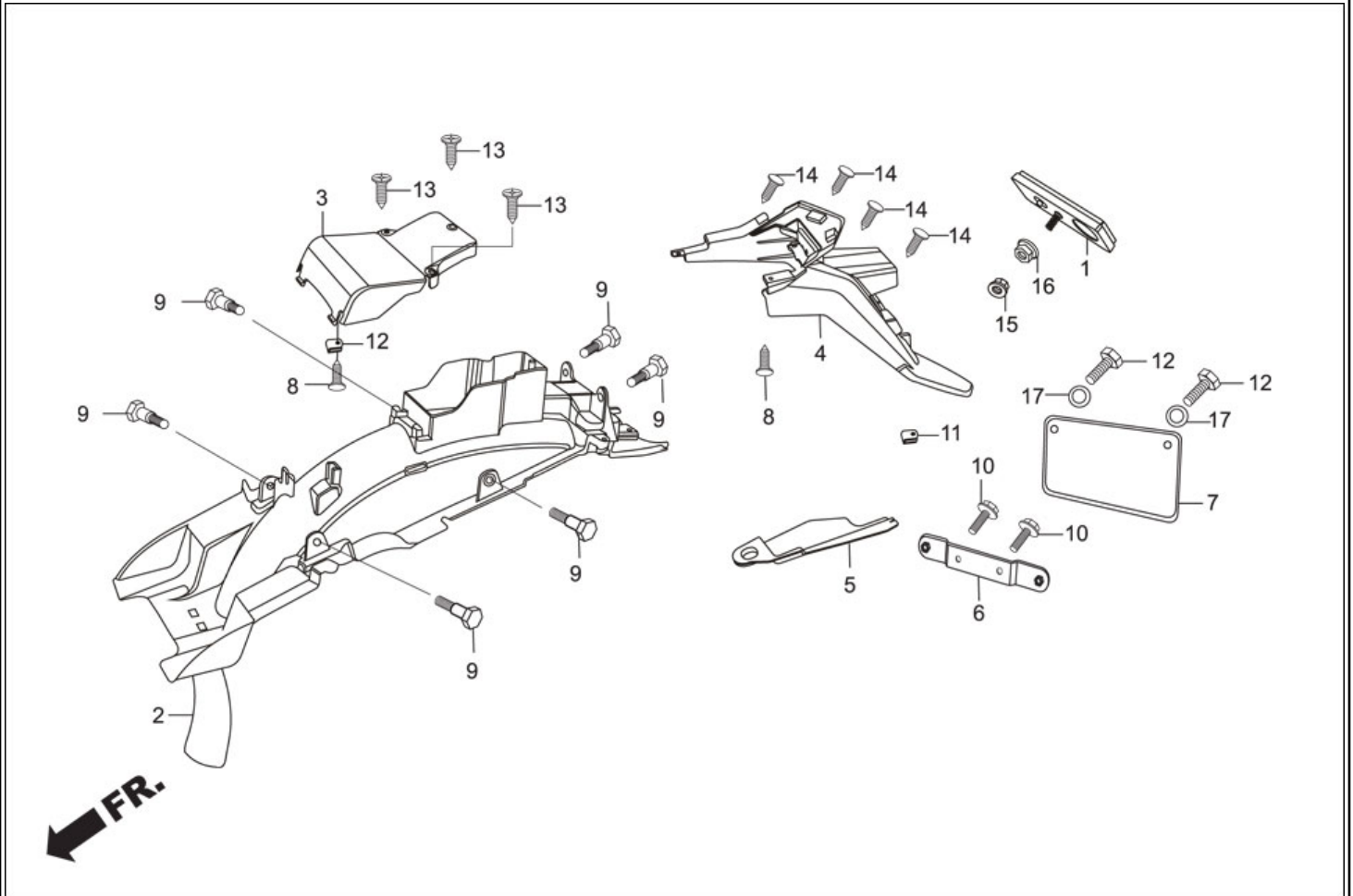
## F-20 : REAR CUSHION



**Group Number: F-20 Model :: Karizma ZMR (July, 2012)**

Ref No.	Part Number	Description	Req.
1	51488-KTN-701	COLLAR, RUBBER BUSH (UNDER)	2
2	52400-KRY-971	CUSHION ASSY,REAR	2
3	52486-KTN-701	COLLAR, RUBBER BUSH (UPPER)	2
4	52489-399-600	BUSH ,RUBBER (UPPER)	4
5	94001-12000-0S	NUT, HEX, 12 MM	2
6	94101-12800	WASHER,PLAIN ,12 MM	2
7	95801-10035-00	BOLT, FLANGE, 10X35	2

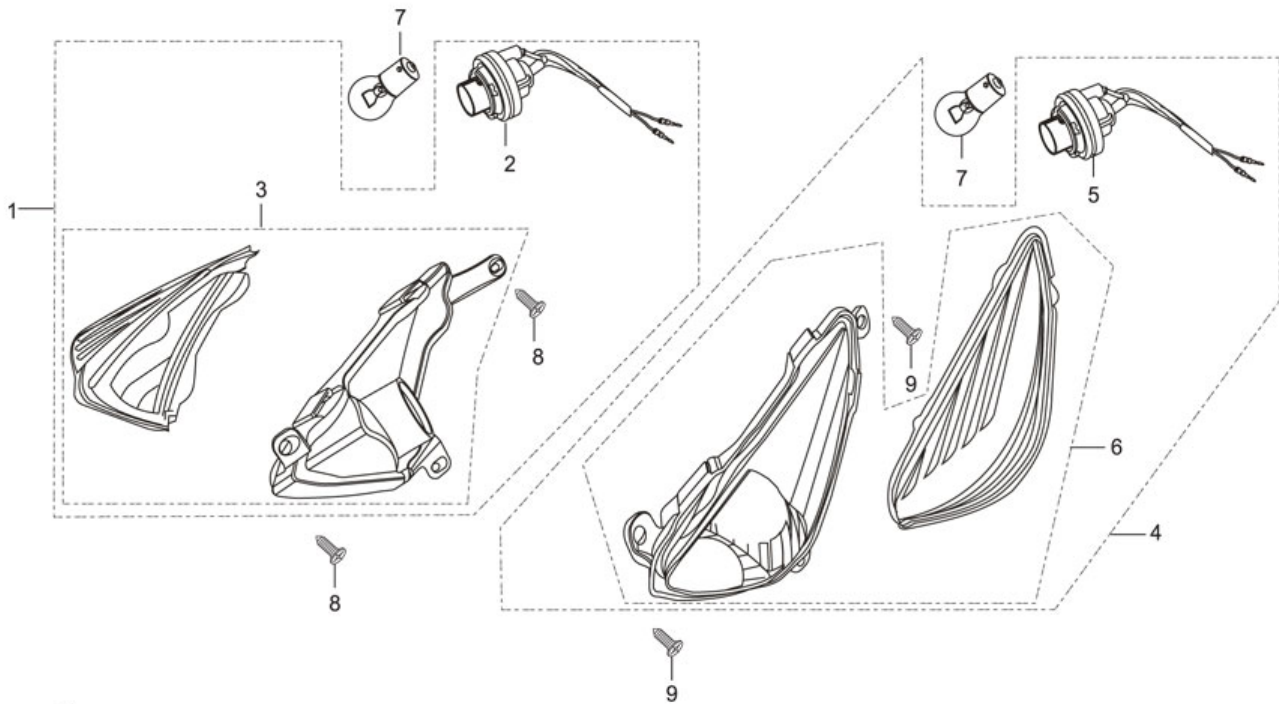
## F-21 : REAR FENDER



**Group Number:** F-21 Model :: Karizma ZMR (July, 2012)

Ref No.	Part Number	Description	Req.
1	33741-KST-920	REFLEX REFLECTOR	1
2	80100-KRY-970	FENDER COMP. REAR	1
3	80102-KRY-900	COVER, TOOL BOX	1
4	80111-KRY-970	FENDER REAR, B	1
5	80112-KRY-970	COVER LICENSE CODE	1
6	84701-KRY-970	BRACKET, RR NO PLATE	1
7	84701-P26-D00A	NUMBER, PLATE REAR	1
8	90101-GE0-000	SCREW, HINGE PATCH	2
9	90111-187-000	BOLT, FLANGE. 6 MM	6
10	90116-ME9-000	BOLT,FLANGE, 6MM	2
11	90320-GC3-000	NUT, SPRING, M5	1
12	92000-06012-0A	BOLT,HEX.,6X12	2
13	93903-25210	SCREW, TAPPING, 5X12	3
14	93903-25310	SCREW, TAPPING, 5 X 16	4
15	94002-06000-0S	NUT, HEX 6MM	1
16	94050-06000	NUT, FLANGE, 6 MM	1
17	94101-06000	WASHER, PLAIN, 6 MM	2

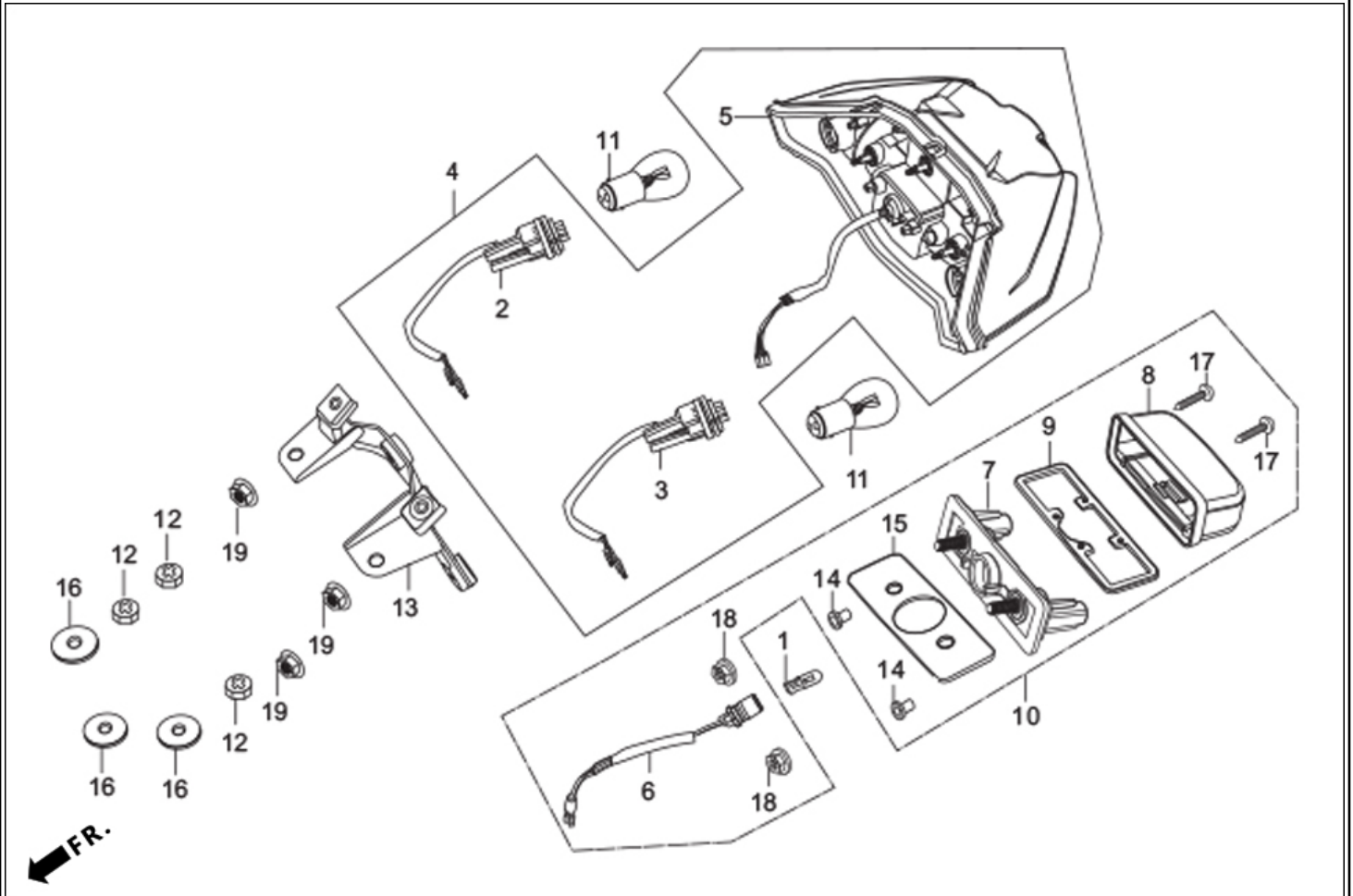
## F-22 : WINKERS



**Group Number:** F-22 Model :: Karizma ZMR (July, 2012)

Ref No.	Part Number	Description	Req.
2	33405-KRY-901	SOCKET COMP., R	1
1	3340A-KRY-970	WINKER ASSY. R FR.(W/O BULB)	1
3	33410-KRY-970	LENS COMP,R	1
5	33455-KRY-901	SOCKET COMP., L	1
4	3345A-KRY-970	WINKER ASSY. L FR.(W/O BULB)	1
6	33460-KRY-970	LENS COMP,L	1
7	34904-KRY-971	BULB, WINKER LIGHT	2
8	93901-22310	SCREW, TAPPING, 3 X 12	2
9	93903-25210	SCREW, TAPPING, 5X12	2

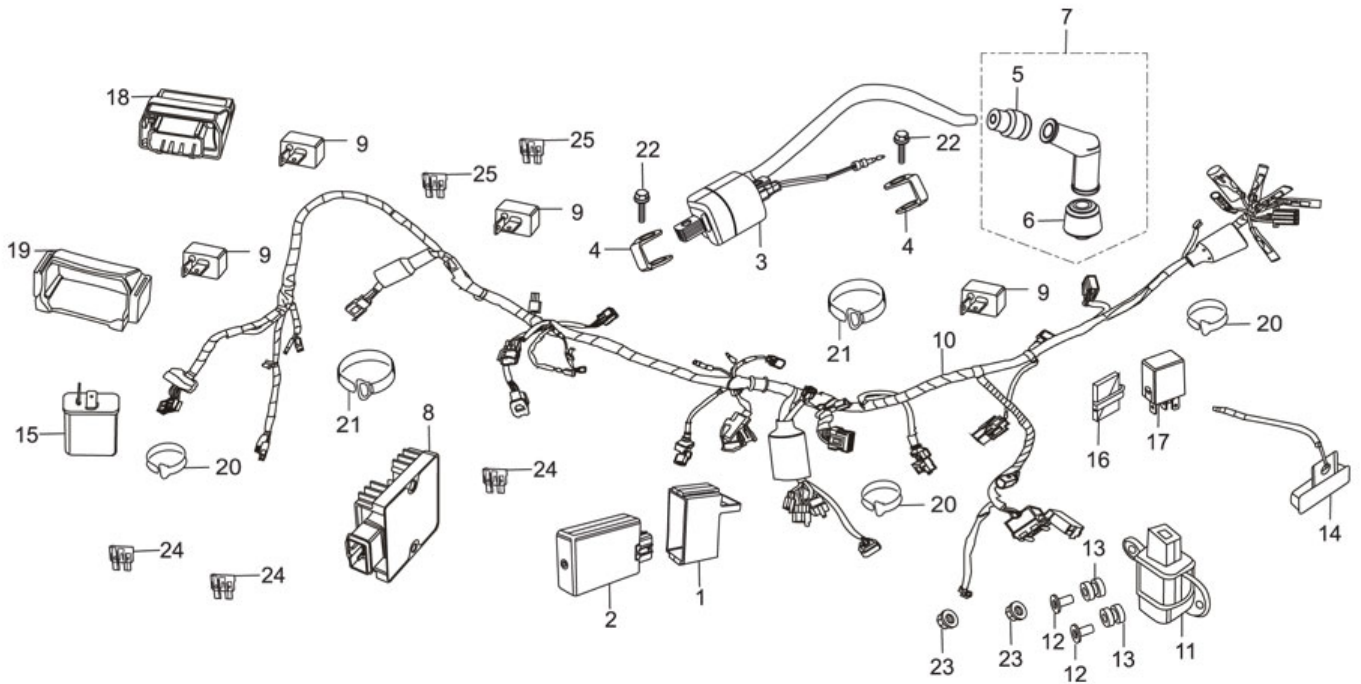
## F-23 : TAIL LIGHT



**Group Number:** F-23 Model :: Karizma ZMR (July, 2012)

Ref No.	Part Number	Description	Req.
1	33301-KVE-900	BULB, WEDGE BASE (T10, 12V-5W)	1
2	33605-KRY-971	SOCKET COMP., R WINKER	1
3	33655-KRY-971	SOCKET COMP., L WINKER	1
4	3370B-AAR-H71	LIGHT ASSY REAR COMB(W/O BULB)	1
5	33710-AAR-H71	UNIT,RR COMB	1
6	33721-KRY-970	SOCKET	1
7	33722-KVE-900	BASE COMP.	1
8	33723-KVE-900H	COVER COMP.	1
9	33729-MCZ-003	PACKING, LENS	1
10	3372A-KRY-970	LIGHT ASSY. LICENSE(W/O BULB)	1
11	34904-KRY-971	BULB, WINKER LIGHT	2
12	77209-KAG-900	RUBBER, SEAT STAY MOUNT	3
13	77235-KRY-970	STAY, TAIL LIGHT	1
14	80202-KVE-900	COLLAR LICENSE LIGHT	2
15	80203-KVE-900	RUBBER LICENSE LIGHT	1
16	90563-355-000	WASHER, WHEEL, 6 MM	3
17	93901-24480	SCREW, TAPPING, 4 X 16	2
18	94050-05000	NUT FLANGE, 5 MM	2
19	94050-06000	NUT, FLANGE, 6 MM	3

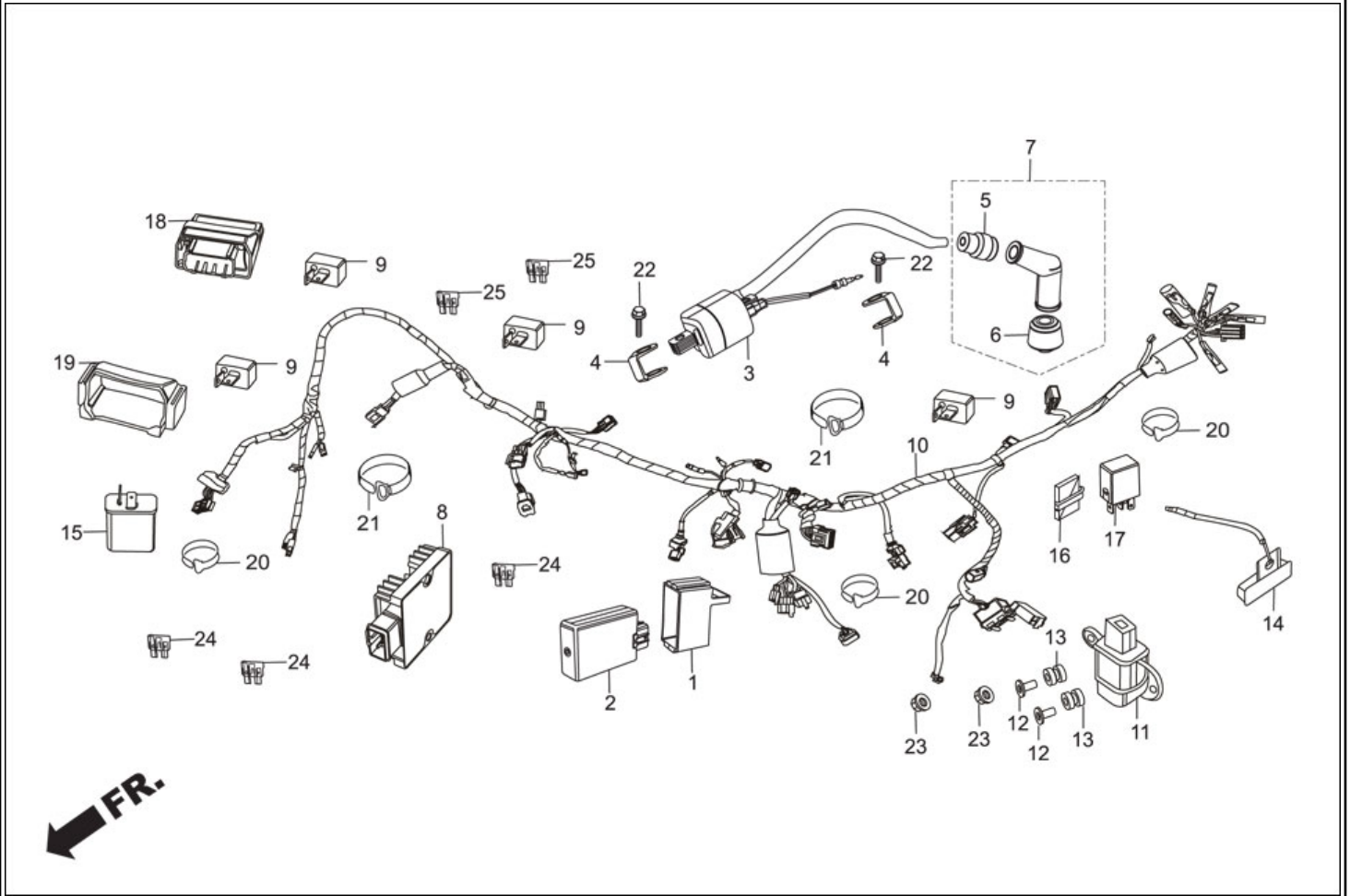
## F-24 : WIRE HARNESS



**Group Number:** F-24 Model :: Karizma ZMR (July, 2012)

Ref No.	Part Number	Description	Req.
1	30401-MCG-000	CUSHION,CDI UNIT	1
2	30410-KRY-900	UNIT COMP.,DIGITAL DC-CDI	1
3	30510-KRY-971	COIL COMP, IGN	1
4	30520-ML7-000	SPACER IGN. COIL	2
5	30604-KRB-900	CAP CORD WATER PROOF	1
6	30605-GBG-900	SEAL H/T TERMINAL	1
7	30700-KSP-910	CAP ASSY. NOISE SUPPRESSOR	1
8	31600-KVK-900	REG. RECT. ASSY	1
9	31700-124-000	RECTIFIER ASSY., SILICON	4
10	32100-KRY-970	HARNESS WIRE	1
11	35161-GBJ-M30	SENSOR COMP, BANK ANGLE	1
12	35162-MFA-D01	COLLAR	2
13	35163-MBZ-C50	GROMMET	2
14	35400-KRY-970	RESISTOR COMP.	1
15	38301-KRY-971	RELAY COMP.WINKER	1
16	38306-GE7-000	SUSPENSION, WINKER RELAY	1
17	38501-MCS-G00	RELAY COMP., POWER (MICRO ISO 4P)	1
18	38770-KRY-971	UNIT COMP PROGRAMMED FI/IGN	1
19	38771-KTR-940	CUSH., PROGRAMMED FI/IGN	1
20	90651-KV6-003	BAND WIRE	3
21	91547-SF4-003	BAND,HARN	2
22	92101-06020-4J	BOLT, HEX., 6 X 20	2
23	94050-04000	NUT FLANGE 4 MM	2
24	98200-30750	BLADE, FUSE, 7.5A	3

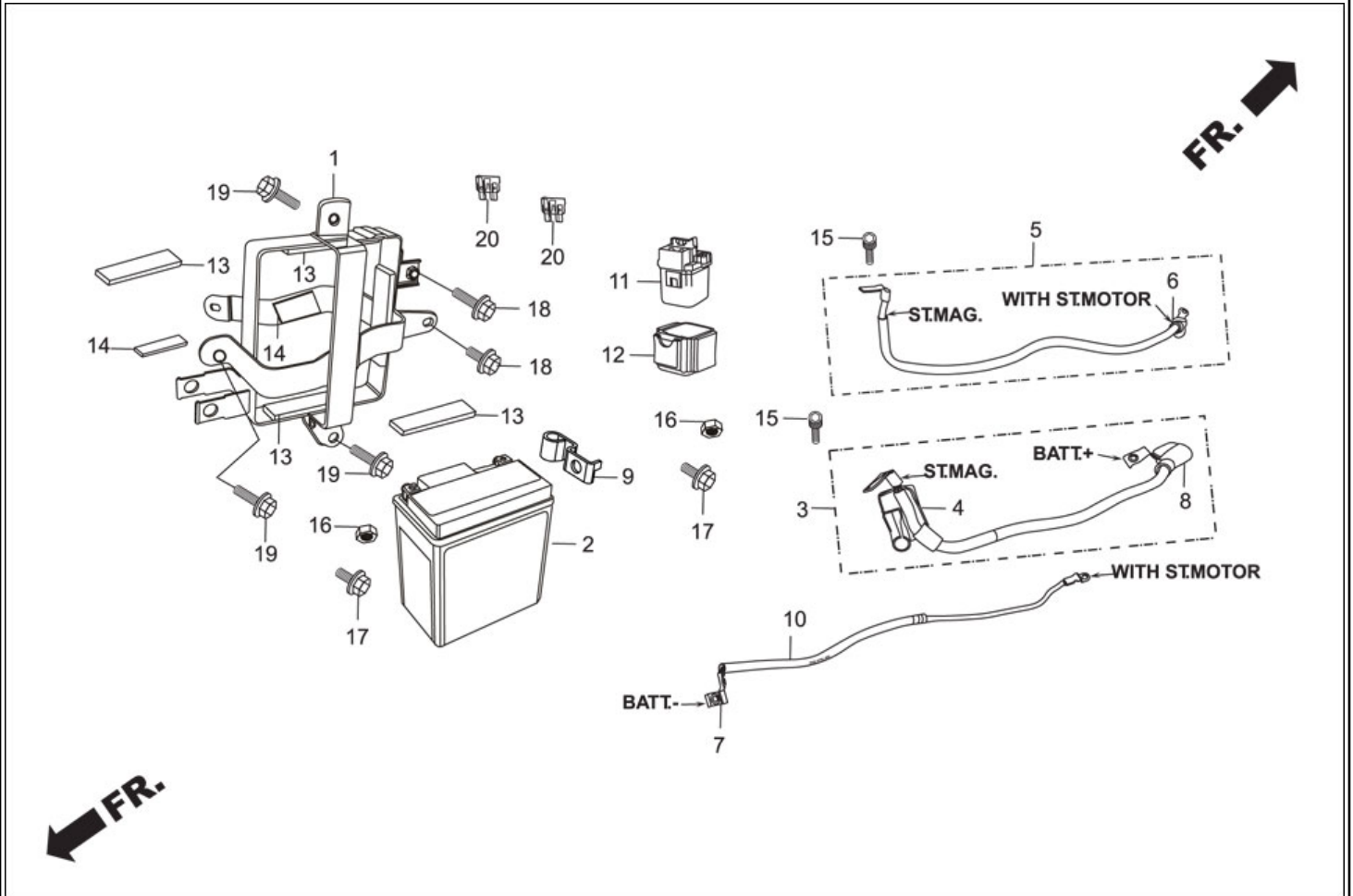
## F-24 : WIRE HARNESS



25	98200-31500	BLADE, FUSE, 15A	2
----	-------------	------------------	---



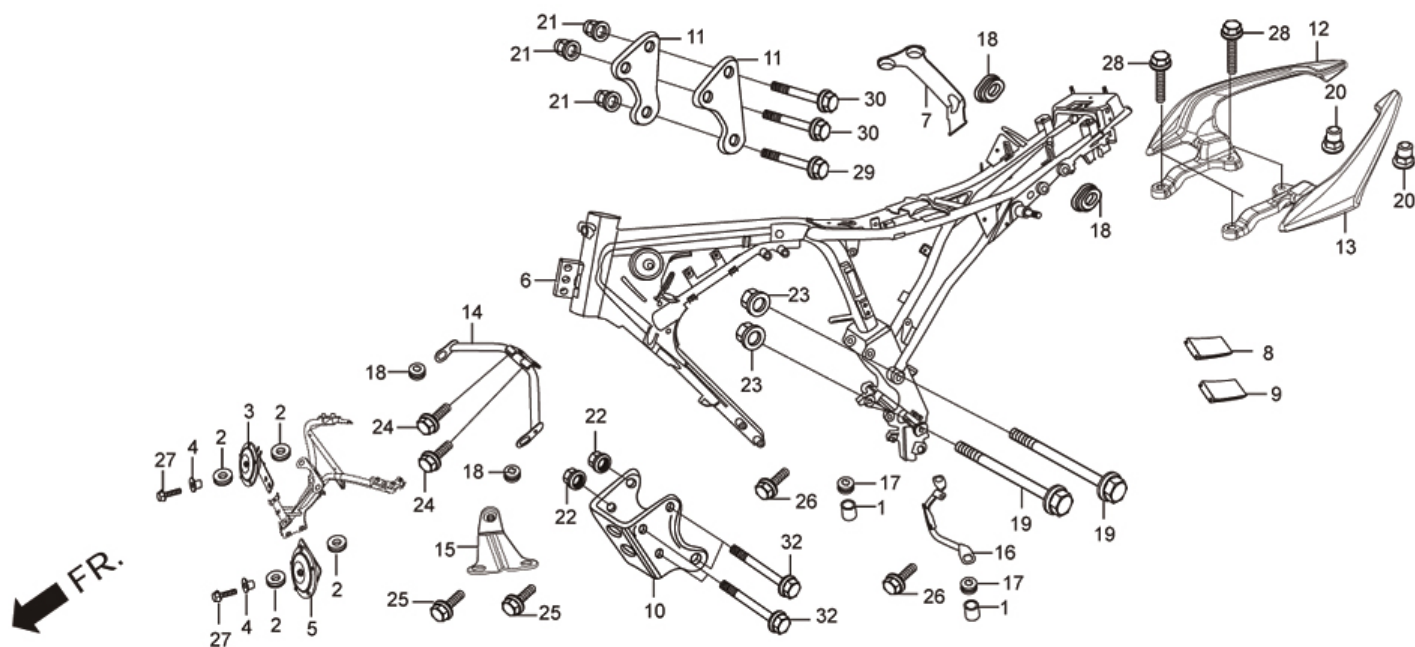
## F-24A : BATTERY ASSY



**Group Number:** F-24A Model :: Karizma ZMR (July, 2012)

Ref No.	Part Number	Description	Req.
1	17232-KRY-970	CASE COMP BATTERY	1
2	31500-KRY-801	BATTERY ASSY MF7	1
3	32401-KRY-970	CABLE, ST- MAG BATT.	1
4	32406-MT3-610	COVER, ST. MAG TERMINAL A	1
5	32410-KRY-970	CABLE START MOTOR	1
6	32411-253-000	COVER, STARTING MOTOR	1
7	32413-KRY-970	TERMINAL, BAT CABLE	1
8	32414-MW0-000	COVER, BATTERY TERMINAL	1
9	32418-KRY-970	TERMINAL, BAT	1
10	32601-KRY-971	CABLE BAT. EARTH	1
11	35850-KR3-870	SWITCH ASSY., START MAG.	1
12	35856-KBG-007	RUBBER,SHOCK	1
13	50383-KRC-900	RUBBER , BATTERY	4
14	83407-KCC-901	CUSHION BAND BATTERY	2
15	90111-MR5-000	BOLT, SOCKET, 5X9	2
16	90122-KVT-941	BOLT BATTERY TERMINAL	2
17	90306-KVT-941	NUT BATTERY TERMINAL	2
18	95701-06008-00	BOLT, FLANGE, 6X8	2
19	95701-06012-00	BOLT, FLANGE, 6X12	3
20	98200-32000	BLADE, FUSE, 20A	2

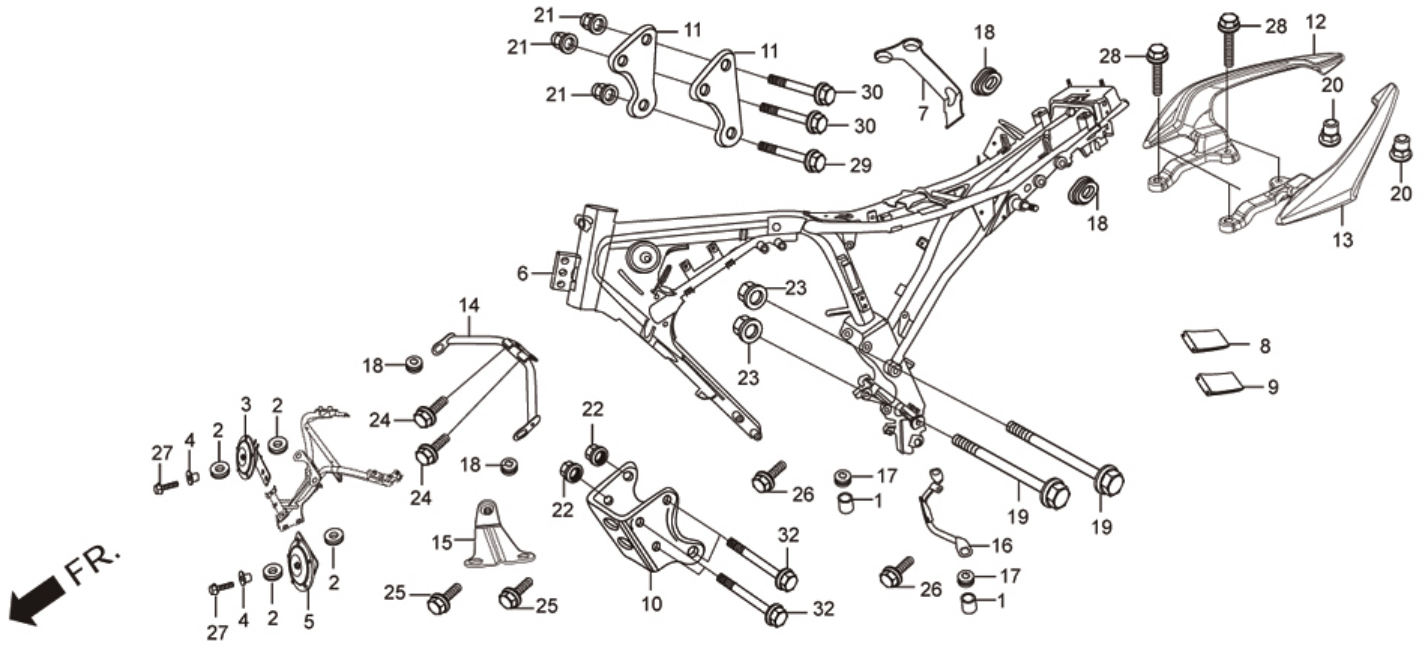
## F-25 : FRAME BODY



**Group Number:** F-25 Model :: Karizma ZMR (July, 2012)

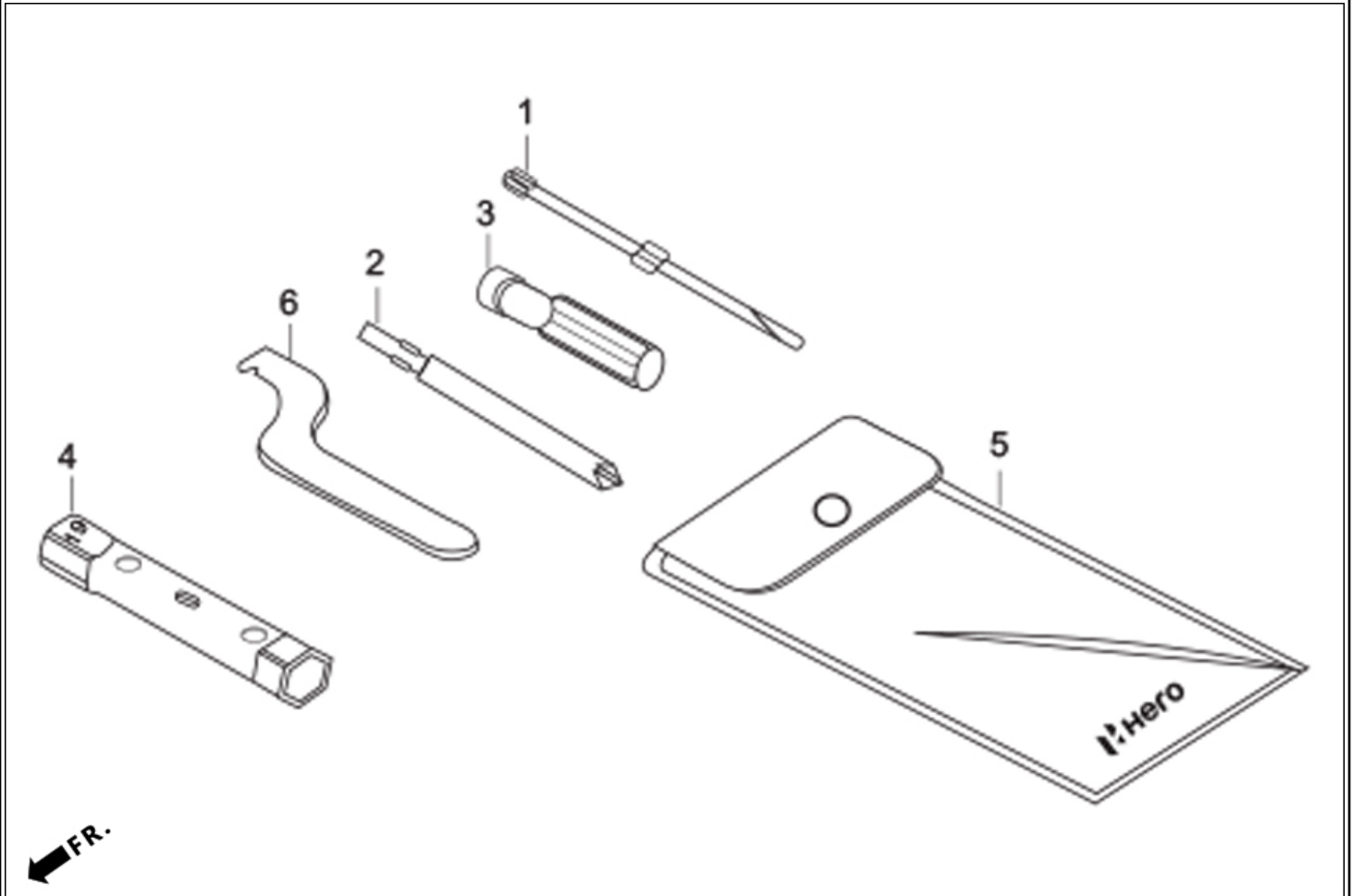
Ref No.	Part Number	Description	Req.
1	33603-053-650	COLLAR, RR. WINKER	2
2	33714-KL3-620	RUBBER, TAIL LIGHT	4
3	38110-KRY-971	HORN COMP.(HIGH)	1
4	38117-KFE-701	COLLAR, HORN SET	2
5	38120-KRY-971	HORN COMP.(LOW)	1
6	50100-KRY-970	FRAME BODY COMP.	1
7	50153-KRY-970	STAY FUEL FILTER	1
8	50197-KRY-900	RUBBER, STIFFNER A	1
9	50199-KRY-900	RUBBER, STIFFNER B	1
10	50351-KRY-960	PLATE, FR.ENG.HANGER	1
11	50353-KRY-970	PLATE ENG.UP.HANGER	2
12	50400-KRY-980ZA	GRIP R REAR(PNB, NH-B08M)	1
	50400-KRY-980ZB	GRIP R REAR(PFW, NH-341P, TYPE-1)	1
	50400-KRY-980ZC	GRIP R REAR(CBR, R-195C)	1
	50400-KRY-980ZD	GRIP R REAR(VIBRANT ORANGE, YR-250)	1
	50400-KRY-980ZF	GRIP R REAR(FBM, B-185M)	1
13	50450-KRY-980ZA	GRIP L REAR(PNB, NH-B08M)	1
	50450-KRY-980ZB	GRIP L REAR(PFW, NH-341P, TYPE-1)	1
	50450-KRY-980ZC	GRIP L REAR(CBR, R-195C)	1
	50450-KRY-980ZD	GRIP L REAR(VIBRANT ORANGE, YR-250)	1
	50450-KRY-980ZF	GRIP L REAR(FBM, B-185M)	1
14	64340-KRY-970	STAY COMP UND. COWL	1
15	64341-KRY-970	STAY COMP. UNDER COWL R.	1
16	64520-KRY-900	STAY, COWL LOWER	1

## F-25 : FRAME BODY



17	77209-KAG-900	RUBBER, SEAT STAY MOUNT	2
18	83551-300-000	GROMMET, AIR CLEANER CASE	4
19	90019-399-010	BOLT, FLANGE, 10 X 110	2
20	90305-KRY-970	NUT HEX. CAP 8 MM	2
21	90443-107-000	NUT, CAP, 8 MM	3
22	94050-08000	NUT, FLANGE, 8MM	4
23	94050-10000	NUT, FLANGE, 10MM	2
24	95701-08012-07	BOLT FLANGE 8X12	2
25	95701-08016-00	BOLT, FLANGE, 8X16	2
26	95701-06012-00	BOLT, FLANGE, 6X12	2
27	95701-06020-07	BOLT, FLANGE, 6 X 20	2
28	95701-08025-00	BOLT, FLANGE 8 X 25	2
29	95801-08060-00	BOLT, FLANGE, 8X60	1
30	95801-08065-08	BOLT FLANGE 8 X 65	2
31	95801-08085-00	BOLT, FLANGE, 8X85	4

## F-26 : TOOLS



**Group Number:** F-26 Model :: Karizma ZMR (July, 2012)

Ref No.	Part Number	Description	Req.
1	89102-538-000	SCREW, DRIVER PLUS/MINUS	1
2	89102-AAC-000	NO.3 CROSS POINT SCREW DRIVER	1
3	89103-538-000	GRIP, SCREW DRIVER	1
4	89213-AAR-000	BOX WRENCH P18	1
5	89216-AAD-H00	TOOL BAG	1
6	99007-45000	PIN, SPANNER	1

## F-27 : STRIPE / MARKS

**Group Number:** F-27 **Model ::** Karizma ZMR (July, 2012)

Ref No.	Part Number	Description	Req.
1	86645-AAN-H20	MARK, WIND SCREEN	1

### SPECIFIED COLOUR CHART FOR MARK WIND SCREEN

SPECIFIED COLOUR TYPE	A	MAIN BODY COLOUR
1	NH-411M FORCE SILVER METALLIC	PANTHER BLACK METALLIC (NH-B08M)
		PEARL FADELESS WHITE (NH-341P)
		CANDY BLAZING RED R-195C
		VIBRANT ORANGE (YR-250)

## F-27 : STRIPE / MARKS

**Group Number:** F-27 Model :: Karizma ZMR (July, 2012)

Ref No.	Part Number	Description	Req.
2	86641-AAR-H80ZC	STRIPE A R FR.SIDE COWL(TYPE-1)	1
	64216-AAR-H70ZA	STRIPE A R FR.SIDE COWL(TYPE-1)	1
	64216-AAR-H70ZB	STRIPE A R FR.SIDE COWL(TYPE-2)	1
	86641-AAR-H80ZD	STRIPE A R FR.SIDE COWL(TYPE-2)	1

**SPECIFIED COLOUR CHART FOR STRIPE A, RIGHT FR. SIDE COWL**

SPECIFIED COLOUR TYPE	A	B	C	D	E	F	MAIN BODY COLOUR
1	NH-194M-U HEAVY GRAY METALLIC	NH-411M FORCE SILVER METALLIC	RED	MAROON	NH-194M-U HEAVY GRAY METALLIC	NH-B08M PANTHER BLACK METALLIC	PANTHER BLACK METALLIC (NH-B08M)
2	NH-411M FORCE SILVER METALLIC	NH-1 BLACK	CANDY BLAZING RED	MAROON	NH-1 BLACK	PEARL FADELESS WHITE (NH-341P)	PEARL FADELESS WHITE (NH-341P)
1	R-308M PLAGE MAROON METALLIC	NH-411M FORCE SILVER METALLIC	JELLY PINK METALLIC	R-308M PLAGE MAROON METALLIC	NH-1 BLACK	R-195C CANDY BLAZING RED	CANDY BLAZING RED R-195C
2	PERSIMMON ORANGE	NH-1 BLACK	ZINNIA YELLOW	R-195C CANDY BLAZING RED	NH-1 BLACK	YR-250 VIBRANT ORANGE	VIBRANT ORANGE (YR-250)



## F-27 : STRIPE / MARKS

**Group Number:** F-27 Model :: Karizma ZMR (July, 2012)

Ref No.	Part Number	Description	Req.
3	86642-AAR-H80ZC	STRIPE A L FR.SIDE COWL(TYPE-1)	1
	64217-AAR-H70ZA	STRIPE A L FR.SIDE COWL(TYPE-1)	1
	64217-AAR-H70ZB	STRIPE A L FR.SIDE COWL(TYPE-2)	1
	86642-AAR-H80ZD	STRIPE A L FR.SIDE COWL(TYPE-2)	1

### SPECIFIED COLOUR CHART FOR STRIPE A, LEFT FR. SIDE COWL

SPECIFIED COLOUR TYPE	A	B	C	D	E	F	MAIN BODY COLOUR
1	NH-194M-U HEAVY GRAY METALLIC	NH-411M FORCE SILVER METALLIC	RED	MAROON	NH-194M-U HEAVY GRAY METALLIC	NH-808M PANTHER BLACK METALLIC	PANTHER BLACK METALLIC (NH-808M)
2	NH-411M FORCE SILVER METALLIC	NH-1 BLACK	CANDY BLAZING RED	MAROON	NH-1 BLACK	PEARL FADELESS WHITE (NH-341P)	PEARL FADELESS WHITE (NH-341P)
1	R-308M PLAGE MAROON METALLIC	NH-411M FORCE SILVER METALLIC	JELLY PINK METALLIC	R-308M PLAGE MAROON METALLIC	NH-1 BLACK	R-195C CANDY BLAZING RED	CANDY BLAZING RED R-195C
2	PERSIMMON ORANGE	NH-1 BLACK	ZINNIA YELLOW	R-195C CANDY BLAZING RED	NH-1 BLACK	YR-250 VIBRANT ORANGE	VIBRANT ORANGE (YR-250)

## F-27 : STRIPE / MARKS

**Group Number:** F-27 **Model ::** Karizma ZMR (July, 2012)

Ref No.	Part Number	Description	Req.
4	86645-AAR-H80ZA	MARK FR.SIDE COWL(TYPE-1)	1
	86645-AAR-H80ZB	MARK FR.SIDE COWL(TYPE-2)	1
	86645-AAR-H80ZC	MARK FR.SIDE COWL(TYPE-3)	1

### SPECIFIED COLOUR CHART FOR MARK, FR. SIDE COWL

SPECIFIED COLOUR TYPE	M	N	MAIN BODY COLOUR
1	HAIR LINE SILVER	(NH-B08M) PANTHER BLACK METALLIC	PANTHER BLACK METALLIC (NH-B08M)
3	NH-1 BLACK	TRANSPARENT	PEARL FADELESS WHITE (NH-341P)
2	HAIR LINE SILVER	R-195C CANDY BLAZING RED	CANDY BLAZING RED R-195C
3	NH-1 BLACK	TRANSPARENT	VIBRANT ORANGE (YR-250)

## F-27 : STRIPE / MARKS

**Group Number:** F-27 **Model ::** Karizma ZMR (July, 2012)

Ref No.	Part Number	Description	Req.
5	86647-KRY-980ZD	STRIPE,R UND COWL(TYPE-2)	1
	64321-KRY-970ZA	STRIPE, R UND COWL(TYPE-1)	1
	64321-KRY-970ZC	STRIPE, R UND COWL(TYPE-3)	1
	86647-KRY-980ZC	STRIPE,R UND COWL(TYPE-1)	1

### SPECIFIED COLOUR CHART FOR STRIPE RIGHT UNDER COWL

SPECIFIED COLOUR TYPE	C	D	E	MAIN BODY COLOUR
1	RED	MAROON	NH-194M-U HEAVY GRAY METALLIC	PANTHER BLACK METALLIC (NH-B08M)
3	DARK PINK METALLIC	DARK RED METALLIC	NH-1 BLACK	PEARL FADELESS WHITE (NH-341P)
1	JELLY PINK METALLIC	R-308M PALACE MAROON METALLIC	NH-1 BLACK	CANDY BLAZING RED R-195C
2	ZINNIA YELLOW	R-195C CANDY BLAZING RED	NH-1 BLACK	VIBRANT ORANGE (YR-250)

## F-27 : STRIPE / MARKS

**Group Number:** F-27 Model :: Karizma ZMR (July, 2012)

Ref No.	Part Number	Description	Req.
6	86648-KRY-980ZD	STRIPE,L UND COWL(TYPE-2)	1
	64322-KRY-970ZA	STRIPE, L UND COWL(TYPE-1)	1
	64322-KRY-970ZC	STRIPE, L UND COWL(TYPE-3)	1
	86648-KRY-980ZC	STRIPE,L UND COWL(TYPE-1)	1

### SPECIFIED COLOUR CHART FOR STRIPE LEFT UNDER COWL

SPECIFIED COLOUR TYPE	C	D	E	MAIN BODY COLOUR
1	RED	MAROON	NH-194M-U HEAVY GRAY METALLIC	PANTHER BLACK METALLIC (NH-B08M)
3	DARK PINK METALLIC	DARK RED METALLIC	NH-1 BLACK	PEARL FADELESS WHITE (NH-341P)
1	JELLY PINK METALLIC	R-308M PALACE MAROON METALLIC	NH-1 BLACK	CANDY BLAZING RED R-195C
2	ZINNIA YELLOW	R-195C CANDY BLAZING RED	NH-1 BLACK	VIBRANT ORANGE (YR-250)

## F-27 : STRIPE / MARKS

**Group Number:** F-27 Model :: Karizma ZMR (July, 2012)

Ref No.	Part Number	Description	Req.
7	86643-KRY-980ZD	STRIPE B R FR SIDE COWL(TYPE-2)	1
	64323-KRY-970ZA	STRIPE, B R FR. SIDE COWL(TYPE-1)	1
	64323-KRY-970ZC	STRIPE, B R FR. SIDE COWL(TYPE-3)	1
	86643-KRY-980ZC	STRIPE B R FR SIDE COWL(TYPE-1)	1

### SPECIFIED COLOUR CHART FOR STRIPE B, RIGHT FRONT SIDE COWL

SPECIFIED COLOUR TYPE	A	B	C	D	E	F	MAIN BODY COLOUR
1	NH-194M-U HEAVY GRAY METALLIC	NH-411M FORCE SILVER METALLIC	RED	MAROON	NH-194M-U HEAVY GRAY METALLIC	NH-B08M PANTHER BLACK METALLIC	PANTHER BLACK METALLIC (NH-B08M)
3	MAROON METALLIC	NH-411M FORCE SILVER METALLIC	DARK PINK METALLIC	DARK RED METALLIC	NH-1 BLACK	R-32 SPORTS RED	PEARL FADELESS WHITE (NH-341P)
1	R-308M PALACE METALLIC	NH-411M FORCE MAROON METALLIC	JELLY PINK METALLIC	R-308M PALACE METALLIC	NH-1 BLACK	R-195C CANDY BLAZING RED	CANDY BLAZING RED R-195C
2	PERSIMMON ORANGE	NH-1 BLACK	ZINNIA YELLOW	R-195C CANDY BLAZING RED	NH-1 BLACK	YR-250 VIBRANT ORANGE	VIBRANT ORANGE (YR-250)

## F-27 : STRIPE / MARKS

**Group Number:** F-27 Model :: Karizma ZMR (July, 2012)

Ref No.	Part Number	Description	Req.
8	86644-KRY-980ZD	STRIPE B L FR SIDE COWL(TYPE-2)	1
	64324-KRY-970ZA	STRIPE, B L FR. SIDE COWL(TYPE-1)	1
	64324-KRY-970ZC	STRIPE, B L FR. SIDE COWL(TYPE-3)	1
	86644-KRY-980ZC	STRIPE B L FR SIDE COWL(TYPE-1)	1

### SPECIFIED COLOUR CHART FOR STRIPE B, LEFT FR. SIDE COWL

SPECIFIED COLOUR TYPE	A	B	C	D	E	F	MAIN BODY COLOUR
1	NH-194M-U HEAVY GRAY METALLIC	NH-411M FORCE SILVER METALLIC	RED	MAROON	NH-194M-U HEAVY GRAY METALLIC	NH-B08M PANTHER BLACK METALLIC	PANTHER BLACK METALLIC (NH-B08M)
3	MAROON METALLIC	NH-411M FORCE SILVER METALLIC	DARK PINK METALLIC	DARK RED METALLIC	NH-1 BLACK	R-32 SPORTS RED	PEARL FADELESS WHITE (NH-341P)
1	R-308M PALACE METALLIC	NH-411M FORCE MAROON METALLIC	JELLY PINK METALLIC	R-308M PALACE METALLIC	NH-1 BLACK	R-195C CANDY BLAZING RED	CANDY BLAZING RED R-195C
2	PERSIMMON ORANGE	NH-1 BLACK	ZINNIA YELLOW	R-195C CANDY BLAZING RED	NH-1 BLACK	YR-250 VIBRANT ORANGE	VIBRANT ORANGE (YR-250)



## F-27 : STRIPE / MARKS

**Group Number: F-27 Model :: Karizma ZMR (July, 2012)**

Ref No.	Part Number	Description	Req.
9	86771-KRY-980ZD	STRIPE R REAR COWL(TYPE-2)	1
	77212-KRY-970ZA	STRIPE, R RR. COWL(TYPE-1)	1
	77212-KRY-970ZC	STRIPE, R RR. COWL(TYPE-3)	1
	86771-KRY-980ZD	STRIPE R REAR COWL(TYPE-2)	1

### SPECIFIED COLOUR CHART FOR STRIPE RIGHT, REAR COWL

SPECIFIED COLOUR TYPE	A	F	MAIN BODY COLOUR
1	NH-194M-U HEAVY GRAY METALLIC -U	NH-B08M PANTHER BLACK METALLIC	PANTHER BLACK METALLIC (NH-B08M)
3	MAROON METALLIC	R-321 SPORTS RED	PEARL FADELESS WHITE (NH-341P)
1	R-308M PALACE MAROON METALLIC	R-195C CANDY BLAZING RED	CANDY BLAZING RED R-195C
2	PERSIMON ORANGE	YR-250 VIBRANT ORANGE	VIBRANT ORANGE (YR-250)

## F-27 : STRIPE / MARKS

**Group Number:** F-27 **Model ::** Karizma ZMR (July, 2012)

Ref No.	Part Number	Description	Req.
10	86772-KRY-980ZD	STRIPE L REAR COWL(TYPE-2)	1
	77213-KRY-970ZA	STRIPE, L RR. COWL(TYPE-1)	1
	77213-KRY-970ZC	STRIPE, L RR. COWL(TYPE-3)	1
	86772-KRY-980ZD	STRIPE L REAR COWL(TYPE-2)	1

### SPECIFIED COLOUR CHART FOR STRIPE LEFT, REAR COWL

SPECIFIED COLOUR TYPE	A	F	MAIN BODY COLOUR
1	NH-194M-U HEAVY GRAY METALLIC -U	NH-B08M PANTHER BLACK METALLIC	PANTHER BLACK METALLIC (NH-B08M)
3	MAROON METALLIC	R-321 SPORTS RED	PEARL FADELESS WHITE (NH-341P)
1	R-308M PALACE MAROON METALLIC	R-195C CANDY BLAZING RED	CANDY BLAZING RED R-195C
2	PERSIMON ORANGE	YR-250 VIBRANT ORANGE	VIBRANT ORANGE (YR-250)

## F-27 : STRIPE / MARKS

**Group Number: F-27 Model :: Karizma ZMR (July, 2012)**

Ref No.	Part Number	Description	Req.
11	77227-KRY-970ZB	MARK, KARIZMA(TYPE-2)	1
	77227-KRY-970ZA	MARK, KARIZMA(TYPE-1)	1
	77227-KRY-970ZC	MARK, KARIZMA(TYPE-3)	1
	77227-KRY-970ZE	MARK, KARIZMA(TYPE-5)	1

### SPECIFIED COLOUR CHART FOR STRIPE MARK, KARIZMA

SPECIFIED COLOUR TYPE	A	F	MAIN BODY COLOUR
1	NH-194M-U HEAVY GRAY METALLIC -U	NH-B08M PANTHER BLACK METALLIC	PANTHER BLACK METALLIC (NH-B08M)
3	MAROON METALLIC	R-321 SPORTS RED	PEARL FADELESS WHITE (NH-341P)
1	R-308M PALACE MAROON METALLIC	R-195C CANDY BLAZING RED	CANDY BLAZING RED R-195C
2	PERSIMON ORANGE	YR-250 VIBRANT ORANGE	VIBRANT ORANGE (YR-250)

## F-27 : STRIPE / MARKS

**Group Number:** F-27 Model :: Karizma ZMR (July, 2012)

Ref No.	Part Number	Description	Req.
12	77238-AAD-H70ZA	MARK CENTER RR COWL(TYPE-1)	1
	77238-AAD-H70ZB	MARK CENTER RR COWL(TYPE-2)	1

### SPECIFIED COLOUR CHART FOR MARK, HERO

SPECIFIED COLOUR TYPE	<b>A</b>	MAIN BODY COLOUR
1	FORCE SILVER METALLIC (NH-411M)	PANTHER BLACK METALLIC (NH-B08M)
2	NH-1 BLACK	PEARL FADELESS WHITE (NH-341P)
1	FORCE SILVER METALLIC (NH-411M)	CANDY BLAZING RED R-195C
2	NH-1 BLACK	VIBRANT ORANGE (YR-250)

## F-27 : STRIPE / MARKS

**Group Number:** F-27 **Model ::** Karizma ZMR (July, 2012)

Ref No.	Part Number	Description	Req.
13	83543-AAR-H70	MARK CLECS	1

### SPECIFIED COLOUR CHART FOR MARK, CLECS

SPECIFIED COLOUR TYPE	G	H	MAIN BODY COLOUR
1	CHROME	NH-303 M MAT AXIS GRAY METALLIC	PANTHER BLACK METALLIC (NH-B08M)  PEARL FADELESS WHITE (NH-341P)  CANDY BLAZING RED R-195C  VIBRANT ORANGE (YR-250)

## F-27 : STRIPE / MARKS

**Group Number:** F-27 Model :: Karizma ZMR (July, 2012)

Ref No.	Part Number	Description	Req.
14	86831-KRY-980ZD	STRIPE, R SIDE COVER A(TYPE-2)	1
	83541-KRY-970ZA	STRIPE, R SIDE COVER A(TYPE-1)	1
	83541-KRY-970ZC	STRIPE, R SIDE COVER A(TYPE-3)	1
	86831-KRY-980ZC	STRIPE, R SIDE COVER A(TYPE-1)	1

### SPECIFIED COLOUR CHART FOR STRIPE RIGHT, SIDE COVER A

SPECIFIED COLOUR TYPE	A	F	MAIN BODY COLOUR
1	NH-194M-U HEAVY GRAY METALLIC -U	NH-B08M PANTHER BLACK METALLIC	PANTHER BLACK METALLIC (NH-B08M)
3	MAROON METALLIC	R-321 SPORTS RED	PEARL FADELESS WHITE (NH-341P)
1	R-308M PALACE MAROON METALLIC	R-195C CANDY BLAZING RED	CANDY BLAZING RED R-195C
2	PERSIMON ORANGE	YR-250 VIBRANT ORANGE	VIBRANT ORANGE (YR-250)



## F-27 : STRIPE / MARKS

**Group Number: F-27 Model :: Karizma ZMR (July, 2012)**

Ref No.	Part Number	Description	Req.
15	86832-KRY-980ZD	STRIPE,L SIDE COVER A(TYPE-2)	1
	83641-KRY-970ZA	STRIPE, L SIDE COVER A(TYPE-1)	1
	83641-KRY-970ZC	STRIPE, L SIDE COVER A(TYPE-3)	1
	86832-KRY-980ZC	STRIPE,L SIDE COVER A(TYPE-1)	1

### SPECIFIED COLOUR CHART FOR STRIPE LEFT, SIDE COVER A

SPECIFIED COLOUR TYPE	A	F	MAIN BODY COLOUR
1	NH-194M-U HEAVY GRAY METALLIC -U	NH-B08M PANTHER BLACK METALLIC	PANTHER BLACK METALLIC (NH-B08M)
3	MAROON METALLIC	R-321 SPORTS RED	PEARL FADELESS WHITE (NH-341P)
1	R-308M PALACE MAROON METALLIC	R-195C CANDY BLAZING RED	CANDY BLAZING RED R-195C
2	PERSIMON ORANGE	YR-250 VIBRANT ORANGE	VIBRANT ORANGE (YR-250)

## F-27 : STRIPE / MARKS

**Group Number:** F-27 Model :: Karizma ZMR (July, 2012)

Ref No.	Part Number	Description	Req.
16	17507-AAR-H80ZA	STRIPE R FUEL TANK(TYPE-1)	1
	17507-AAR-H80ZB	STRIPE R FUEL TANK(TYPE-2)	1
	17507-AAR-H80ZC	STRIPE R FUEL TANK(TYPE-3)	1
	17507-AAR-H80ZD	STRIPE R FUEL TANK(TYPE-4)	1

### SPECIFIED COLOUR CHART FOR STRIPE RIGHT, FUEL TANK

SPECIFIED COLOUR TYPE	A	B	MAIN BODY COLOUR
1	RED	PANTHER BLACK METALLIC NH-B08M	PANTHER BLACK METALLIC (NH-B08M)
2	CANDY BLAZING RED	PEARL FADELESS WHITE (NH-341P)	PEARL FADELESS WHITE (NH-341P)
4	JELLY PINK METALLIC	R-195C CANDY BLAZING RED	CANDY BLAZING RED R-195C
3	ZINNIA YELLOW	VIBRANT ORANGE (YR-250)	VIBRANT ORANGE (YR-250)

## F-27 : STRIPE / MARKS

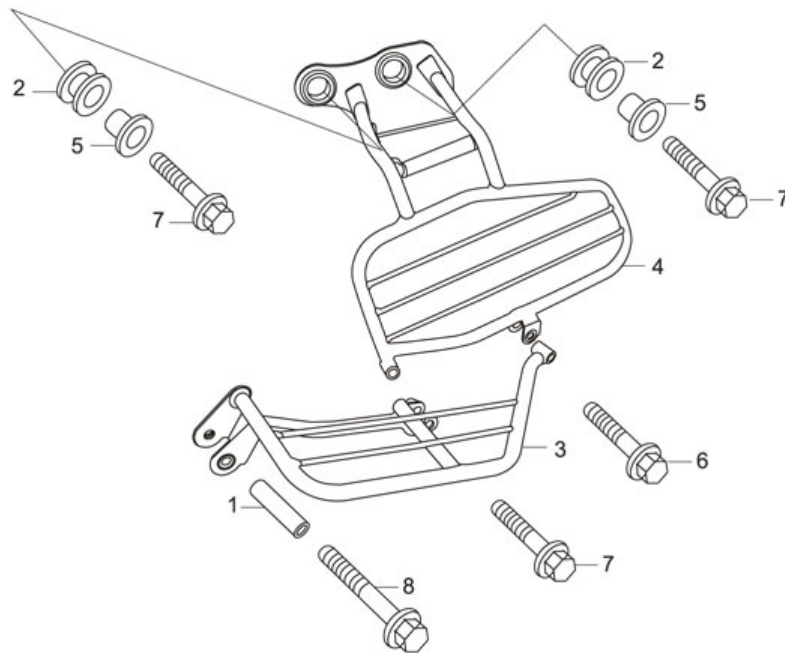
**Group Number:** F-27 Model :: Karizma ZMR (July, 2012)

Ref No.	Part Number	Description	Req.
17	17508-AAR-H80ZA	STRIPE L FUEL TANK(TYPE-1)	1
	17508-AAR-H80ZB	STRIPE L FUEL TANK(TYPE-2)	1
	17508-AAR-H80ZC	STRIPE L FUEL TANK(TYPE-3)	1
	17508-AAR-H80ZD	STRIPE L FUEL TANK(TYPE-4)	1

### SPECIFIED COLOUR CHART FOR STRIPE LEFT, FUEL TANK

SPECIFIED COLOUR TYPE	A	B	MAIN BODY COLOUR
1	RED	PANTHER BLACK METALLIC NH-808M	PANTHER BLACK METALLIC (NH-808M)
2	CANDY BLAZING RED	PEARL FADELESS WHITE (NH-341P)	PEARL FADELESS WHITE (NH-341P)
4	JELLY PINK METALLIC	R-195C CANDY BLAZING RED	CANDY BLAZING RED R-195C
3	ZINNIA YELLOW	VIBRANT ORANGE (YR-250)	VIBRANT ORANGE (YR-250)

## F-28 : SARI GUARD



**Group Number: F-28 Model :: Karizma ZMR (July, 2012)**

Ref No.	Part Number	Description	Req.
1	18442-KFN-850	COLLAR, MUFF. MOUNT	1
2	50623-MAV-000	RUBBER, STEP MTG.	2
3	51102-KRY-970	STEP, PILLION	1
4	51103-KRY-970	GUARD, SAREE	1
5	90124-KAE-000	COLLAR, 8.7 X 17	2
6	95701-08030-00	BOLT, FLANGE, 8 X 30	1
7	95701-08035-00	BOLT, FLANGE, 8 X 35	3
8	95701-08045-00	BOLT, FLANGE 8 X45	1

## F-29 : CAUTION LABEL

Group Number: F-29 Model :: Karizma ZMR (July, 2012)

Ref No.	Part Number	Description	Req.
1	87505-AAR-H70	LABEL TYRE	1
2	87507-MZ8-W00	LABEL, CHAIN DRIVE	1
3	87522-MAB-600	LABEL, VISOR CAUTION	1
4	87560-AAB-H00	LABEL DRIVE	1

# **PARTS INDEX**

PART NO	BLOCK	PART NO	BLOCK
3310B-AAR-H71	F-1	15421-107-000	E-8
3340A-KRY-970	F-22	15426-107-000	E-8
3345A-KRY-970	F-22	15430-440-030	E-8A
3370B-AAR-H71	F-23	15436-107-000	E-8A
3372A-KRY-970	F-23	15441-KCS-650	E-8A
06435-KRY-971	F-10A	15446-107-000	E-8A
06451-GE2-405L	F-8	15451-KRY-970	E-6
06451-MA7-405	F-10A	15459-KWK-900	E-8A
06455-GCR-016L	F-8	15510-KRY-970	F-1C
7711A-ML7-920	F-12	15520-KRY-970	F-1C
7720A-KRY-980	F-12	15600-KRY-970	F-1C
11100-KRY-970	E-8	15650-KRY-970	E-5
11108-KHA-940	E-10	15772-KTN-900	F-13
11191-KCN-010	E-8	16060-GEY-642	E-13
11200-KRY-960	E-8	16080-AAR-001	E-13
11330-AAR-H00	E-5	16081-AAR-001	E-13
11341-KRY-970	E-7	16082-KPH-701	E-13
11355-KRY-970	E-7	16083-KTR-941	E-13
11361-AAR-H00	E-7	16163-GHB-610	F-13
11363-437-620	E-7	16169-AAR-001	E-13
11370-KRY-900A	E-7	16199-KRY-900	F-15
11393-KCN-010	E-5	16210-KRY-971	E-1
11395-KCN-010	E-7	16221-KRY-970	E-1
12000-KRY-971	E-1	16222-KSP-910	E-1
12100-KRY-960	E-2	16410-KRY-973	E-13
12191-KCN-010	E-2	16422-KRY-972	E-13
12195-KRC-920	E-2	16430-KRY-971	E-13
12204-439-305	E-1	16432-AAR-001	E-13
12206-KCN-305	E-1	16433-AAR-001	E-13
12208-KCS-920	E-3	16460-MFJ-D01	E-13
12251-KT0-711	E-1	16472-MCW-000	E-13
12271-383-000	E-1	16700-KWT-900	F-13
12331-KRY-960	E-1	16711-KRY-970	F-13
12339-KT0-711	E-1	16712-KRY-970	F-13
12361-KEZ-900	E-1	16713-KRY-970	F-13
12361-KEZ-900	E-8	16718-KTW-900	F-13
13000-KRY-903	E-9	16720-KRY-970	F-13
13011-KRY-900	E-9	16910-AAR-H71	F-13
13101-KRY-901	E-9	17199-KRY-970	F-13
13111-440-000	E-9	17210-KRY-970H	F-15
13201-KFB-300	E-9	17211-AAP-000	F-15
13380-KCN-300	E-9	17213-KRY-900	F-15
14100-KRY-900	E-3	17214-KRY-900	F-15
14311-KN6-931L	E-9	17219-KRY-970	F-15
14321-KRY-970	E-4	17220-KRY-970H	F-15
14401-KFB-751	E-4	17232-KRY-970	F-24A
14431-KEH-900R	E-3	17234-KRY-970	F-15
14451-437-000	E-3	17234-KS4-770	F-15
14456-KG2-950	E-3	17253-KRY-970	F-15
14500-KBB-900	E-4	17311-KRY-970	F-15
14513-KBB-900	E-8	17312-KFN-880	F-15
14520-KRY-971	E-4	17370-382-870	F-15
14523-KEH-910	E-4	17371-KRY-900	F-15
14535-437-000	E-4	17500-AAR-H80ZA	F-13
14550-KFB-000	E-4	17500-AAR-H80ZB	F-13
14711-KBB-900	E-3	17500-AAR-H80ZC	F-13
14721-KBB-900	E-3	17500-AAR-H80ZD	F-13
14751-KEH-910	E-3	17507-AAR-H80ZA	F-27
14761-KEH-910	E-3	17507-AAR-H80ZB	F-27
14771-107-020	E-3	17507-AAR-H80ZC	F-27
14775-107-000	E-3	17507-AAR-H80ZD	F-27
14776-107-010	E-3	17508-AAR-H80ZA	F-27
14781-HA0-770	E-3	17508-AAR-H80ZB	F-27
15100-AAR-101	E-8A	17508-AAR-H80ZC	F-27



<b>PART NO</b>	<b>BLOCK</b>	<b>PART NO</b>	<b>BLOCK</b>
17508-AAR-H80ZD	F-27	24231-KW1-900	E-12
17570-KRY-971	F-13	24241-KCS-650	E-12
17611-KRY-970	F-13	24301-KCN-000	E-12
17613-MV4-000	F-13	24411-KCN-000	E-12
17620-KRY-971	F-13	24430-KW1-900	E-12
17622-GB7-900	E-7	24435-KCN-000	E-12
17681-KRY-970	F-13	24610-KC6-000	E-12
17682-KRY-970	F-13	24621-107-760	E-12
17683-KRY-970	F-13	24631-107-000	E-12
17711-S0X-A31C	F-13	24651-107-000	E-12
17910-KRY-970	F-3A	24701-KRY-970	F-18
17920-KRY-970	F-3A	24711-KRY-970	F-18
18201-KRY-970	F-16	24720-KRY-970	F-18
18291-KRY-930	F-16	24721-GS3-000	F-18
18300-AAR-H00	F-16	24721-KRY-970	F-18
18311-KRY-980	F-16	24781-KR3-770	F-18
18317-KRY-970	F-16	28110-KEW-900	E-7A
18345-MBT-610	F-16	28114-KN6-930	E-7A
18421-438-000	F-16	28125-KFC-791L	E-7A
18421-438-000	F-17	28130-KFB-000	E-7
18442-KRC-900	F-16	28132-KN6-930	E-7
18442-KFN-850	F-28	28140-KFB-000	E-7
19051-KA3-830	F-1C	28142-KW1-900	E-7
19052-MN8-000	F-1C	28333-300-000	F-17
19052-KV0-000	F-12	30401-MCG-000	F-24
19052-KV0-000	F-14	30410-KRY-900	F-24
19052-KV0-000	F-15	30510-KRY-971	F-24
22100-KRY-900R	E-6	30520-ML7-000	F-24
22121-KPK-900	E-6	30604-KRB-900	F-24
22125-KW7-900	E-6	30605-GBG-900	F-24
22131-KPM-850	E-6	30700-KSP-910	F-24
22201-KBW-900	E-6	31100-KRY-971	E-7A
22201-KPM-850	E-6	31110-KRY-971	E-7A
22201-MJ8-000	E-6	31120-KRY-971	E-7A
22321-KE8-000	E-6	31200-KPS-A11	E-7B
22355-KPK-900	E-6	31201-MEW-921	E-7B
22361-KPK-900	E-6	31202-MEW-921	E-7B
22366-KFB-000	E-6	31203-MEW-921	E-7B
22401-KRY-900	E-6	31204-MEW-921	E-7B
22402-KPM-850	E-6	31205-HP5-601	E-7B
22810-KBB-900	E-5	31206-MEW-921	E-7B
22815-428-000	E-5	31207-HP5-601	E-7B
22838-437-000	E-8	31208-MEW-921	E-7B
22870-KRY-970	F-3A	31209-MEW-921	E-7B
22871-437-000	F-3A	31210-MEW-921	E-7B
23121-KBB-900	E-8A	31500-KRY-801	F-24A
23211-KHA-940	E-10	31600-KVK-900	F-24
23221-KRY-900	E-10	31700-124-000	F-24
23426-KBB-900	E-10	31918-HM5-630	E-1
23427-KW1-900	E-10	32100-KRY-970	F-24
23431-KRY-900	E-10	32401-KRY-970	F-24A
23441-KBB-900	E-10	32406-MT3-610	F-24A
23451-KRY-970	E-10	32410-KRY-970	F-24A
23452-KW1-900	E-10	32411-253-000	F-24A
23461-KBB-900	E-10	32413-KRY-970	F-24A
23471-KBB-900	E-10	32414-MW0-000	F-24A
23481-KBB-900	E-10	32418-KRY-970	F-24A
23491-KBB-900	E-10	32601-KRY-971	F-24A
23501-KRY-900	E-10	32975-KRY-970	E-7A
23511-KRY-970	E-10	32976-KCT-690	E-8
23801-KRY-970	E-10	33106-MAZ-003	F-1
23811-KR3-600	E-10	33108-KRY-900	F-1
24211-KW1-900	E-12	33110-AAR-H71	F-1
24221-KBB-900	E-12	33112-MAT-611	F-1

PART NO	BLOCK	PART NO	BLOCK
33119-KRY-901	F-1	38770-KRY-971	F-24
33150-KRY-971	F-1	38771-KTR-940	F-24
33301-KVE-900	F-23	40510-KRY-970	F-19
33405-KRY-901	F-22	40520-KRY-970	F-19
33410-KRY-970	F-22	40530-KRY-900	F-19
33455-KRY-901	F-22	40531-KRY-900	F-19
33460-KRY-970	F-22	40543-KRY-900	F-19
33603-053-650	F-25	40544-KRY-900	F-19
33605-KRY-971	F-23	40545-001-000	F-19
33619-459-840A	F-16	40546-KRY-900	F-19
33655-KRY-971	F-23	41201-KRY-900	F-11
33710-AAR-H71	F-23	41241-KSP-900	F-11
33714-KL3-620	F-25	42301-KRY-900	F-11
33721-KRY-970	F-23	42303-KRY-931	F-11
33722-KVE-900	F-23	42311-KRY-930	F-11
33723-KVE-900H	F-23	42313-KRY-970	F-19
33729-MCZ-003	F-23	42601-AAR-H71	F-11
33741-KST-920	F-21	42611-KRY-930	F-11
34901-KSP-910	F-1	42620-KSP-900	F-11
34904-KRY-971	F-22	42704-MB0-000	F-9
34904-KRY-971	F-23	42704-MER-D00	F-11
34920-AAG-300	F-1	42705-MER-D00	F-9
35010-AAR-H70	F-4	42705-MER-D00	F-11
35100-AAR-H71	F-4	42706-MB0-000	F-9
35113-KZJ-H00	F-4	42706-MB0-000	F-11
35114-KZJ-H00	F-4	42711-KRY-971	F-11
35121-KZJ-H00	F-4	42753-KWF-901	F-9
35122-KZJ-H00	F-4	42753-KWF-901	F-11
35150-KRY-971	F-3A	43107-MA7-006	F-10A
35152-KRY-970	F-3A	43114-KW6-842L	F-8
35161-GBJ-M30	F-24	43114-KRY-971	F-10A
35162-MFA-D01	F-24	43115-KRY-971	F-10A
35163-MBZ-C50	F-24	43150-KRY-971	F-10A
35200-KRY-971	F-3A	43155-KRY-970	F-10
35330-413-003	F-3A	43190-KRY-971	F-10A
35340-MA5-670L	F-3	43215-KGH-901	F-10A
35350-KFN-850	F-18	43251-KRY-981	F-11
35357-KCT-690	F-18	43310-KRY-970	F-10
35400-KRY-970	F-24	43352-568-003L	F-8
35505-SA5-003	F-2	43352-568-003L	F-10A
35750-KCS-920	E-8	43353-461-771L	F-8
35752-KRY-900A	E-7	43353-461-771L	F-10A
35753-KCS-920	E-12	43431-KRY-970	F-19
35850-KR3-870	F-24A	43434-ME1-670	F-19
35856-KBG-007	F-24A	43503-MEE-006	F-10
36532-KRY-971	E-1	43504-MB2-006	F-10
36533-KRY-970	E-1	43510-KRY-971	F-10
36538-KWF-940	E-1	43511-KW7-881	F-10
37100-KRY-981	F-2	43512-KRY-971	F-10
37105-KRY-970	F-2	43514-KS6-701	F-10
37105-KRJ-901	F-2	43520-MJ6-315	F-10
37110-KRY-981	F-2	43530-MV9-006	F-10
37112-KRY-971	F-2	44301-KPL-900	F-9
37214-KV7-671	F-2	44311-KRY-900	F-9
37612-KRY-981	F-2	44601-AAR-H71	F-9
37613-KRY-971	F-2	44620-400-000	F-9
37750-KPH-701	E-1	44711-KRY-971	F-9
37800-KRY-961	F-13	44800-KRY-971	F-9
38110-KRY-971	F-25	45107-MN5-006L	F-8
38117-KFE-701	F-25	45108-ML4-006L	F-8
38120-KRY-971	F-25	45108-ML7-922	F-10A
38301-KRY-971	F-24	45111-MAJ-G41	F-10A
38306-GE7-000	F-24	45126-KRY-970	F-3
38501-MCS-G00	F-24	45131-GZ0-006L	F-8

<b>PART NO</b>	<b>BLOCK</b>	<b>PART NO</b>	<b>BLOCK</b>
45131-GZ0-006L	F-10A	50623-MAV-000	F-28
45132-166-016L	F-8	50630-KRY-970	F-17
45132-166-016L	F-10A	50638-KRY-970	F-17
45133-MA3-006L	F-8	50639-KRY-970	F-17
45133-MA3-006L	F-10A	50640-KRY-970	F-17
45155-KRY-970	F-3	50642-KRY-970	F-17
45155-KRY-970	F-5	50643-KRY-970	F-17
45156-KRY-900	F-3	50644-445-840	F-17
45160-KRY-970	F-5	50661-KRY-970	F-17
45163-KRY-970	F-9	50718-KRY-970	F-17
45164-KRY-970	F-9	50720-KRY-970	F-17
45165-KRY-970	F-5	50730-KRY-970	F-17
45170-KRY-970	F-5	51102-KRY-970	F-28
45201-GT4-691L	F-8	51103-KRY-970	F-28
45203-MG3-016L	F-8	51400-KRY-971	F-7
45203-MCC-006	F-10A	51401-KRY-971	F-7
45215-KA3-732L	F-8	51410-KRY-971	F-7
45216-166-006	F-8	51412-KFN-851	F-7
45216-166-006	F-10A	51412-KSP-901	F-7
45216-KPP-861	F-10A	51414-KK4-003	F-7
45251-KRY-981	F-9	51420-KRY-971	F-7
45290-KGB-611L	F-8	51432-KFN-851	F-7
45504-410-003L	F-3	51437-KVN-901	F-7
45510-KRY-971	F-3	51440-KFN-851	F-7
45512-MA6-006L	F-3	51488-KTN-701	F-20
45513-HA2-006L	F-3	51500-KRY-971	F-7
45513-GW0-911	F-10	51520-KRY-971	F-7
45517-166-000	F-3	52110-KRY-970	F-19
45517-166-000	F-3A	52142-KRY-970	F-19
45520-MG7-006L	F-3	52144-GC4-005	F-19
45520-GW0-911	F-10	52170-KRY-900	F-19
45521-HA2-006L	F-3	52400-KRY-971	F-20
45521-GW0-911	F-10	52486-KTN-701	F-20
45530-471-831L	F-3	52489-399-600	F-20
46182-MEL-D21	F-10	53100-KRY-970	F-4
46500-KRY-980	F-18	53104-KRY-970	F-4
46504-KV6-702	F-10	53105-KRY-970	F-4
46514-KN5-670	F-18	53107-KTT-910	F-4
46515-KRY-970	F-18	53108-MJ0-000	F-4
50100-KRY-970	F-25	53127-KRY-970	F-4
50153-KRY-970	F-25	53128-KRY-970	F-4
50197-KRY-900	F-25	53140-KRY-980	F-3A
50199-KRY-900	F-25	53141-KRY-970	F-3A
50301-KTR-900	F-5	53150-KRY-970	F-4
50351-KRY-960	F-25	53166-KRY-980	F-3A
50353-KRY-970	F-25	53172-KRY-970	F-3A
50383-KRC-900	F-24A	53174-116-670	F-3A
50400-KRY-980ZA	F-25	53175-KFN-850L	F-3
50400-KRY-980ZB	F-25	53178-KFN-850	F-3A
50400-KRY-980ZC	F-25	53182-KFN-850	F-3A
50400-KRY-980ZD	F-25	53192-349-690	F-3A
50400-KRY-980ZF	F-25	53200-KRY-970	F-5
50450-KRY-980ZA	F-25	53211-268-010	F-5
50450-KRY-980ZB	F-25	53212-200-000	F-5
50450-KRY-980ZC	F-25	53214-200-000	F-5
50450-KRY-980ZD	F-25	53215-KTR-900	F-5
50450-KRY-980ZF	F-25	53220-KRY-970	F-5
50500-KRY-970	F-18A	53230-KRY-970	F-4
50505-KCC-900	F-16	61100-KRY-980ZC	F-6
50526-KCT-690	F-18A	61100-KRY-970ZA	F-6
50530-KRY-970	F-18A	61100-KRY-970ZC	F-6
50612-KRY-970	F-17	61100-KRY-980ZD	F-6
50617-445-840	F-17	61102-KRY-970	F-6
50619-KRY-970	F-17	61103-KRY-900	F-6

<b>PART NO</b>	<b>BLOCK</b>	<b>PART NO</b>	<b>BLOCK</b>
61105-KTC-900	F-6	64520-KRY-900	F-25
61304-KRY-900	F-2	77156-KRY-900	F-12
64100-AAR-H70	F-1A	77160-KRY-970	F-12
64200-AAR-H70ZA	F-1B	77200-KRY-980	F-12
64200-AAR-H70ZB	F-1B	77204-KRY-970	F-12
64200-AAR-H80ZC	F-1B	77205-286-000	F-12
64200-AAR-H80ZDH	F-1B	77206-KFN-850	F-12
64203-KRY-970ZA	F-1	77209-KAG-900	F-23
64203-KRY-970ZC	F-1	77209-KAG-900	F-25
64203-KRY-980ZC	F-1	77211-KRY-970	F-1A
64203-KRY-980ZD	F-1	77211-KCC-900	F-12
64206-KRY-980ZC	F-1B	77211-KRY-970	F-12
64206-KRY-970ZA	F-1B	77212-KRY-970ZA	F-27
64206-KRY-970ZC	F-1B	77212-KRY-970ZC	F-27
64206-KRY-980ZD	F-1B	77213-KRY-970ZA	F-27
64207-KRY-980ZC	F-1B	77213-KRY-970ZC	F-27
64207-KRY-970ZA	F-1B	77215-KRY-980ZC	F-12
64207-KRY-970ZC	F-1B	77215-KRY-970ZA	F-12
64207-KRY-980ZD	F-1B	77215-KRY-970ZC	F-12
64211-KRY-970	F-1A	77215-KRY-980ZD	F-12
64212-KRY-970	F-1A	77220-KY6-000	F-12
64213-KRY-970	F-1A	77225-KRY-980ZC	F-12
64214-KRY-970	F-1	77225-KRY-970ZA	F-12
64215-KRY-970	F-1A	77225-KRY-970ZC	F-12
64216-AAR-H70ZA	F-27	77225-KRY-980ZD	F-12
64216-AAR-H70ZB	F-27	77227-KRY-970ZB	F-27
64217-AAR-H70ZA	F-27	77227-KRY-970ZA	F-27
64217-AAR-H70ZB	F-27	77227-KRY-970ZC	F-27
64250-AAR-H70ZA	F-1B	77227-KRY-970ZE	F-27
64250-AAR-H70ZB	F-1B	77235-KRY-970	F-23
64250-AAR-H80ZC	F-1B	77238-AAD-H70ZA	F-27
64250-AAR-H80ZD	F-1B	77238-AAD-H70ZB	F-27
64300-KRY-980ZC	F-1B	77280-AAR-H70ZA	F-12
64300-KRY-970ZA	F-1B	77280-AAR-H70ZB	F-12
64300-KRY-970ZC	F-1B	77280-AAR-H80ZC	F-12
64300-KRY-980ZD	F-1B	77280-AAR-H80ZD	F-12
64301-KRY-970	F-1A	80100-KRY-970	F-21
64302-KRY-970	F-1A	80101-KFN-850	F-13
64303-KRY-970	F-1A	80102-KRY-900	F-21
64304-KRY-970	F-1A	80111-KRY-970	F-21
64305-KRY-970	F-1A	80112-KRY-970	F-21
64306-KRY-970	F-1	80202-KVE-900	F-23
64307-KRY-970	F-1	80203-KVE-900	F-23
64310-198-D20A	F-1	83407-KCC-901	F-24A
64315-KRY-970	F-1	83500-KRY-970ZC	F-14
64321-KRY-970ZA	F-27	83500-KRY-970ZA	F-14
64321-KRY-970ZC	F-27	83500-KRY-980ZC	F-14
64322-KRY-970ZA	F-27	83500-KRY-980ZD	F-14
64322-KRY-970ZC	F-27	83541-KRY-970ZA	F-27
64323-KRY-970ZA	F-27	83541-KRY-970ZC	F-27
64323-KRY-970ZC	F-27	83543-AAR-H70	F-27
64324-KRY-970ZA	F-27	83545-KVN-900	F-1A
64324-KRY-970ZC	F-27	83545-KCJ-690	F-12
64325-KRY-980ZC	F-1B	83545-KCJ-690	F-14
64325-KRY-970ZA	F-1B	83545-KCJ-690	F-15
64325-KRY-970ZC	F-1B	83550-AAR-H70	F-14
64325-KRY-980ZD	F-1B	83551-300-000	F-13
64340-KRY-970	F-25	83551-300-000	F-25
64341-KRY-970	F-25	83600-KRY-970ZC	F-14
64350-KRY-980ZC	F-1B	83600-KRY-970ZA	F-14
64350-KRY-970ZA	F-1B	83600-KRY-980ZC	F-14
64350-KRY-970ZC	F-1B	83600-KRY-980ZD	F-14
64350-KRY-980ZD	F-1B	83641-KRY-970ZA	F-27
64510-KRY-970	F-2	83641-KRY-970ZC	F-27

<b>PART NO</b>	<b>BLOCK</b>	<b>PART NO</b>	<b>BLOCK</b>
83650-AAR-H70	F-14	90087-KRY-970	E-7
84701-KRY-970	F-21	90089-KAS-900	E-7A
84701-P26-D00A	F-21	90091-MM5-640	E-1
86641-AAR-H80ZC	F-27	90092-KE5-000	E-7A
86641-AAR-H80ZD	F-27	90100-KRY-970	F-4
86642-AAR-H80ZC	F-27	90101-AAP-000	E-7A
86642-AAR-H80ZD	F-27	90101-440-000	E-8A
86643-KRY-980ZD	F-27	90101-GE0-000	F-1A
86643-KRY-980ZC	F-27	90101-GE0-000	F-12
86644-KRY-980ZD	F-27	90101-GE0-000	F-21
86644-KRY-980ZC	F-27	90102-GB2-720	F-1A
86645-AAN-H20	F-27	90103-MCS-G00	F-10
86645-AAR-H80ZA	F-27	90103-KVN-900	F-12
86645-AAR-H80ZB	F-27	90105-KRY-970	F-1A
86645-AAR-H80ZC	F-27	90105-KVN-900	F-1A
86647-KRY-980ZD	F-27	90105-KL8-741	F-9
86647-KRY-980ZC	F-27	90105-KL8-741	F-11
86648-KRY-980ZD	F-27	90105-KVN-900	F-14
86648-KRY-980ZC	F-27	90106-KRY-970	F-1A
86771-KRY-980ZD	F-27	90106-MBZ-G00	F-3
86771-KRY-980ZD	F-27	90107-KRY-970	F-1A
86772-KRY-980ZD	F-27	90107-GZ4-670	F-12
86772-KRY-980ZD	F-27	90107-KST-940	F-16
86831-KRY-980ZD	F-27	90107-GN1-010	F-18A
86831-KRY-980ZC	F-27	90109-SB6-000	F-1A
86832-KRY-980ZD	F-27	90111-KW3-000	F-1A
86832-KRY-980ZC	F-27	90111-187-000	F-21
87505-AAR-H70	F-29	90111-MR5-000	F-24A
87507-MZ8-W00	F-29	90113-438-000	F-3A
87522-MAB-600	F-29	90114-166-000L	F-3
87560-AAB-H00	F-29	90115-MV9-000	F-17
88110-AAR-H81ZA	F-3A	90116-KAG-900	F-7
88110-AAR-H81ZB	F-3A	90116-ME9-000	F-21
88110-AAR-H81ZC	F-3A	90121-KBW-900	F-19
88110-AAR-H81ZD	F-3A	90122-KVT-941	F-24A
88110-AAR-H81ZF	F-3A	90123-KRM-860	F-7
88110-KRY-970F	F-3A	90123-KSP-871	F-7
88110-KRY-970G	F-3A	90124-KAE-000	F-28
88115-KRY-970	F-3A	90127-KRY-970	F-10A
88116-KRY-970	F-3A	90128-KRY-970	F-3A
88117-KRY-970	F-2	90130-MEE-000	F-3A
88120-AAR-H81ZA	F-3A	90145-MS9-610	F-3
88120-AAR-H81ZB	F-3A	90145-MS9-610	F-10
88120-AAR-H81ZC	F-3A	90155-KY4-900	F-8
88120-AAR-H81ZD	F-3A	90155-KY4-900	F-10A
88120-AAR-H81ZF	F-3A	90191-KRY-970	F-4
89102-538-000	F-26	90206-250-000	E-3
89102-AAC-000	F-26	90231-KB5-720	E-6
89103-538-000	F-26	90231-KCS-920	E-8A
89213-AAR-000	F-26	90301-KRY-970	F-1C
89216-AAD-H00	F-26	90304-KSP-900	F-4
90002-KW1-900	E-4	90304-KCS-920	F-11
90004-GHB-700	E-1	90304-KFN-850	F-18A
90005-KY7-000	E-4	90305-KVN-900	F-11
90006-MEE-000	E-1	90305-KSP-900	F-16
90012-KN6-930L	E-3	90305-KVN-900	F-19
90019-399-010	F-25	90305-KRY-970	F-25
90023-KW1-900	E-12	90306-KF0-000	F-9
90031-KFB-000L	E-8	90306-KVT-941	F-24A
90032-KFB-000	E-8	90320-GC3-000	F-1
90050-357-000	E-6	90320-GC3-000	F-1A
90071-MG8-000	E-4	90320-GC3-000	F-12
90071-MB0-000	E-7B	90320-GC3-000	F-21
90084-KRY-970	E-7	90321-MR8-000	F-3A

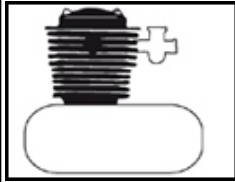
PART NO	BLOCK	PART NO	BLOCK
90344-KEV-900	F-1	91105-KW3-003	E-9
90344-KEV-900	F-1A	91106-KCS-920	E-8
90403-KN6-930	E-7A	91201-KEH-910	E-5
90408-KW1-900	E-12	91201-KCS-920	E-10
90417-041-000	E-7	91206-KCS-920	E-8
90434-KN6-930	E-8A	91212-422-006	F-10
90442-028-000	E-1	91251-KPH-901	F-9
90443-107-000	E-1	91251-KPH-901	F-9
90443-MB0-000	E-1	91253-KSP-901	F-11
90443-107-000	F-25	91254-GAA-003R	F-7
90451-107-000	E-10	91254-KS6-003	F-19
90451-365-000	E-10	91255-GAA-003R	F-7
90451-001-000	E-12	91257-230-003	F-11
90452-437-000	E-10	91301-107-000	E-1
90454-107-000	E-10	91301-200-000	E-1
90455-107-000	E-10	91301-P7A-004	E-13
90461-KPK-900	E-6	91303-KCS-920	E-1
90471-KW1-900	E-9	91303-377-000	E-7
90475-703-000	E-4	91303-KCS-920	E-8
90488-425-000	E-4	91304-KRM-840	E-1
90501-KRY-970	F-2	91304-MZ0-760	E-7
90502-KEZ-900	E-7	91304-KK3-830	E-8A
90502-155-000	F-18	91305-MC7-000	F-13
90503-KTR-900	F-4	91306-MG3-000	E-4
90504-964-000	F-1A	91307-KRM-840	E-5
90505-425-000	F-19	91309-425-003	E-7B
90521-292-000	F-7	91312-107-000	E-8
90534-MV4-000	F-13	91314-ME5-003	F-1C
90544-KFN-851	F-7	91320-MB0-000	E-7B
90545-300-000	F-3	91352-KSP-900	F-11
90545-300-000	F-10	91356-KEH-910	E-7
90556-044-000	F-19	91356-KAG-900	F-7
90559-KRY-970	F-11	91405-KFN-850	F-15
90559-KRY-970	F-11	91406-KFN-850	F-15
90560-KRY-970	F-11	91463-393-780	F-15
90560-KRY-970	F-11	91547-SF4-003	F-24
90563-355-000	F-23	92000-06025-0A	E-12
90601-GFC-780	F-1A	92000-06020-0H	F-1
90601-GFC-780	F-4	92000-06012-0A	F-21
90601-KFN-851	F-7	92101-05020-0A	E-8A
90601-KAF-003	F-13	92101-06010-0A	E-10
90601-KAF-003	F-15	92101-06020-4J	F-24
90601-KAF-003	F-18	92811-10000	F-19
90605-200-000	E-10	92900-08025-0E	E-1
90651-MA5-671L	F-3	92915-10025-0E	F-11
90651-KRY-970	F-7	93500-05010-1A	F-1
90651-MK3-780	F-15	93500-04025-0G	F-15
90651-KV6-003	F-24	93500-04032-0G	F-15
90701-KFN-850	E-5	93500-05016-0A	F-15
90703-HC4-000	E-7	93600-06016-0A	E-3
90703-HC4-000	E-8	93600-04012-0A	E-8A
90741-KFB-000	E-9	93600-04012-1GL	F-3
90751-KRY-970	F-4	93600-04045-1G	F-10
91001-KCN-003	E-9	93700-05012-0A	E-8A
91005-KCN-003	E-10	93891-05008-00	F-4
91008-KK6-000	E-6	93892-05012-08	E-7B
91008-KCS-920	E-8	93892-AAR-001	E-13
91015-KEH-910	E-10	93892-05020-07	F-3A
91053-719-005	E-5	93892-05025-07	F-3A
91071-KVN-900	F-19	93892-05035-07	F-3A
91071-KVN-900	F-19	93892-05045-07	F-3A
91102-KC6-003	E-9	93893-04012-17L	F-3
91103-KC6-003	E-9	93893-04012-17L	F-10
91104-KC6-003	E-9	93901-44220	F-1

PART NO	BLOCK	PART NO	BLOCK
93901-25020	F-19	95020-15100	F-11
93901-22310	F-22	95701-06012-00	E-8
93901-24480	F-23	95701-06016-00	F-1
93903-24310	F-1	95701-06016-07	F-1C
93903-25310	F-1	95701-06025-00	F-1C
93903-25210	F-1A	95701-08035-00	F-4
93903-22420	F-2	95701-06012-07	F-5
93903-25210	F-12	95701-08030-07	F-5
93903-25210	F-14	95701-06012-00	F-10
93903-25210	F-21	95701-06022-08	F-10
93903-25310	F-21	95701-06012-00	F-12
93903-25210	F-22	95701-06020-00	F-12
94001-06000-0S	F-2	95701-06016-00	F-13
94001-06000-0S	F-19	95701-08025-08	F-13
94001-08000-0S	F-19	95701-06020-00	F-15
94001-12000-0S	F-20	95701-10020-00	F-16
94002-08000-0S	F-10	95701-10025-00	F-17
94002-06000-0S	F-21	95701-06012-00	F-19
94021-08000-0S	F-2	95701-06008-00	F-24A
94050-06000	F-3	95701-06012-00	F-24A
94050-06000	F-3A	95701-08012-07	F-25
94050-06000	F-13	95701-08016-00	F-25
94050-10000	F-16	95701-06012-00	F-25
94050-08080	F-17	95701-06020-07	F-25
94050-06000	F-21	95701-08025-00	F-25
94050-05000	F-23	95701-08030-00	F-28
94050-06000	F-23	95701-08035-00	F-28
94050-04000	F-24	95701-08045-00	F-28
94050-08000	F-25	95801-08040-00	F-2
94050-10000	F-25	95801-10040-02	F-4
94101-06000	E-1	95801-06032-00	F-6
94101-05000	F-1	95801-10055-00	F-16
94101-08800	F-2	95801-08028-07	F-18
94101-05000	F-15	95801-10035-00	F-20
94101-06000	F-17	95801-08060-00	F-25
94101-12800	F-20	95801-08065-08	F-25
94101-06000	F-21	95801-08085-00	F-25
94102-08000	F-17	96001-06025-00	E-1
94103-06000	F-2	96001-06040-00	E-5
94103-10000	F-16	96001-06050-00	E-5
94103-06000	F-18	96001-06020-00	E-7
94201-20150	F-10	96001-06028-00	E-7
94201-16120	F-17	96001-06040-00	E-7
94201-20150	F-17	96001-06060-00	E-7
94201-20150	F-18	96001-06070-00	E-7
94201-30300	F-18A	96001-06080-00	E-7
94201-20150	F-19	96001-06014-00	E-8
94251-08000	E-8A	96001-06050-00	E-8
94301-08140	E-1	96001-06060-00	E-8
94301-10200	E-2	96001-06020-00	F-1C
94301-08140	E-5	96001-06012-07	F-3
94305-20102	F-10	96001-06022-07	F-3
94510-12000L	E-12	96001-06022-07	F-3A
94510-14000	E-12	96001-06012-07	F-5
94601-15000	E-9	96001-06014-00	F-5
95002-02130	F-13	96001-06012-07	F-16
95002-02080	F-15	96001-06016-02	F-16
95002-80000	F-15	96001-06012-00	F-18
95003-37015-31	F-15	96001-06020-00	F-18
95005-12280-20	F-15	96100-62040-00	E-10
95014-71702	F-18A	96140-63020-10	F-11
95014-72102	F-18A	96150-63010-10	F-9
95015-54000	F-10	96150-60050-10	F-11
95018-50250	F-15	96211-06000	F-5



<b>PART NO</b>	<b>BLOCK</b>
96211-08000	F-17
96220-40100	E-12
96600-08018-18	E-10
96700-06125-00	E-1
96700-06032-10	E-7A
98069-57916-03	E-1
98200-30750	F-24
98200-31500	F-24
98200-32000	F-24A
99007-45000	F-26

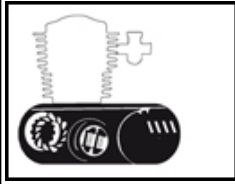
**BLOCK INDEX - GROUP Engine - Karizma ZMR (July, 2012).**



E-1  
E-2  
E-3

CYLINDER HEAD COVER  
CYLINDER  
CAM SHAFT / VALVE

83  
3  
4



E-4  
E-5  
E-6  
E-7  
E-7A  
E-7B  
E-8  
E-8A

CAM CHAIN TENSIONER  
RIGHT CRANK CASE COVER  
CLUTCH  
LEFT CRANK CASE COVER  
A.C. GEN. FLYWHEEL  
STARTER MOTOR  
CRANK CASE  
OIL PUMP

5  
6  
7  
8  
10  
11  
12  
13































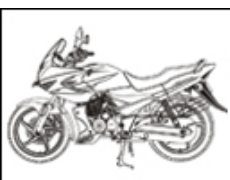



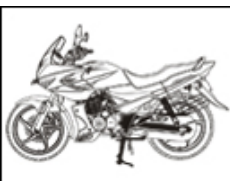









E-9  
E-10  
E-12  
E-13

CRANK SHAFT / PISTON  
TRANSMISSION (MAIN SHAFT / COUNTER SHAFT & GEARS)  
GEAR SHIFT DRUM  
INJECTOR ASSY., FUEL

14  
15  
17  
18

**BLOCK INDEX - GROUP Frame - Karizma ZMR (July, 2012).**

	 F-1	HEAD LIGHT	19
	 F-1A	FRONT COWL	21
	 F-1B	FRONT COWL	23
	 F-1C	COOLER COMP., OIL	25
	 F-2	SPEEDOMETER	26
	 F-3	FRONT BRAKE MASTER CYL	27
	 F-3A	HANDLE LEVER / SWITCH / CABLE	28
	 F-4	HANDLE PIPE / TOP BRIDGE / KEY SET	30
	 F-5	STEERING STEM	31
	 F-6	FRONT FENDER	32
	 F-7	FRONT FORK	33
	 F-8	CALIPER ASSY. 'R' FR.	34
	 F-9	FRONT WHEEL	35
	 F-10	REAR BRAKE MASTER CYL.	36
	 F-10A	CALIPER ASSY. REAR	38
	 F-11	REAR WHEEL	39
	 F-12	SEAT ASSY. / COWL REAR	41
	 F-13	FUEL TANK	43
	 F-14	SIDE COVER	45
	 F-15	AIR CLEANER	46
		 F-16	EXHAUST MUFFLER
 F-17		STEP PILLION	49
 F-18		GEAR CHANGE PEDAL	50
 F-18A		MAIN STAND / SIDE STAND	51
 F-19		SWINGARM / CHAIN CASE	52
 F-20		REAR CUSHION	54
		 F-21	REAR FENDER
	 F-22	WINKERS	56
	 F-23	TAIL LIGHT	57
	 F-24	WIRE HARNESS	58
	 F-24A	BATTERY ASSY	60
	 F-25	FRAME BODY	61
	 F-26	TOOLS	63
	 F-27	STRIPE / MARKS	64
	 F-28	SARI GUARD	81
 F-29	CAUTION LABEL	82	