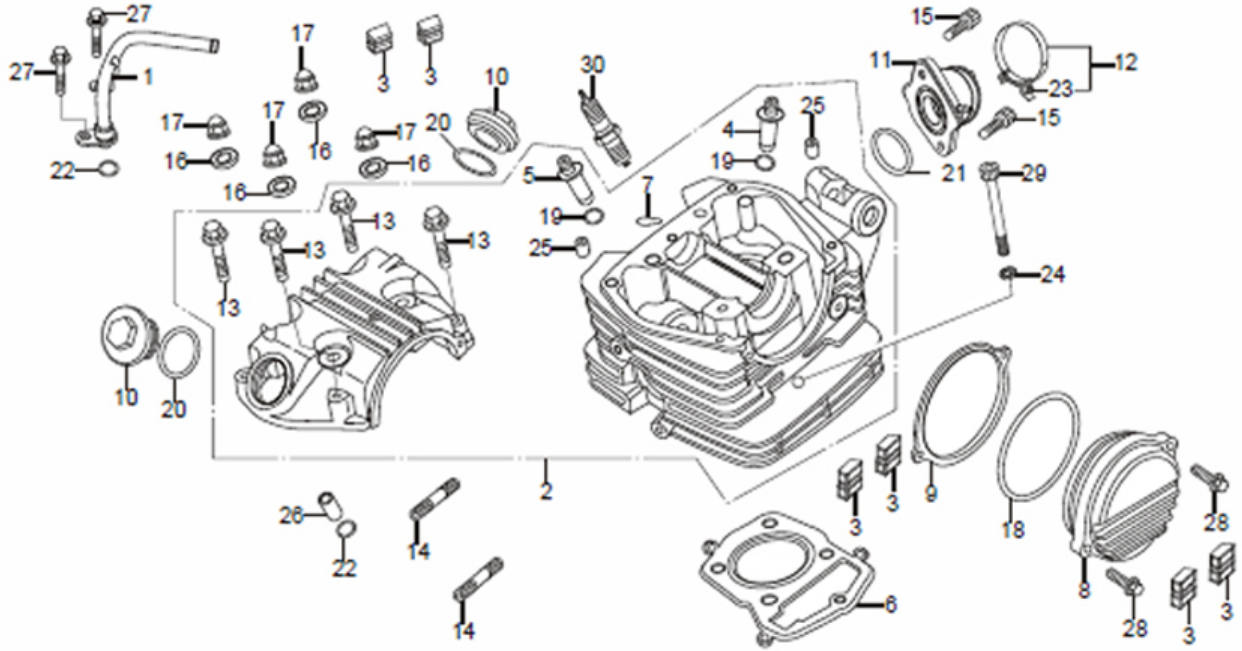


PARTS CATALOGUE

Karizma (July, 2012)

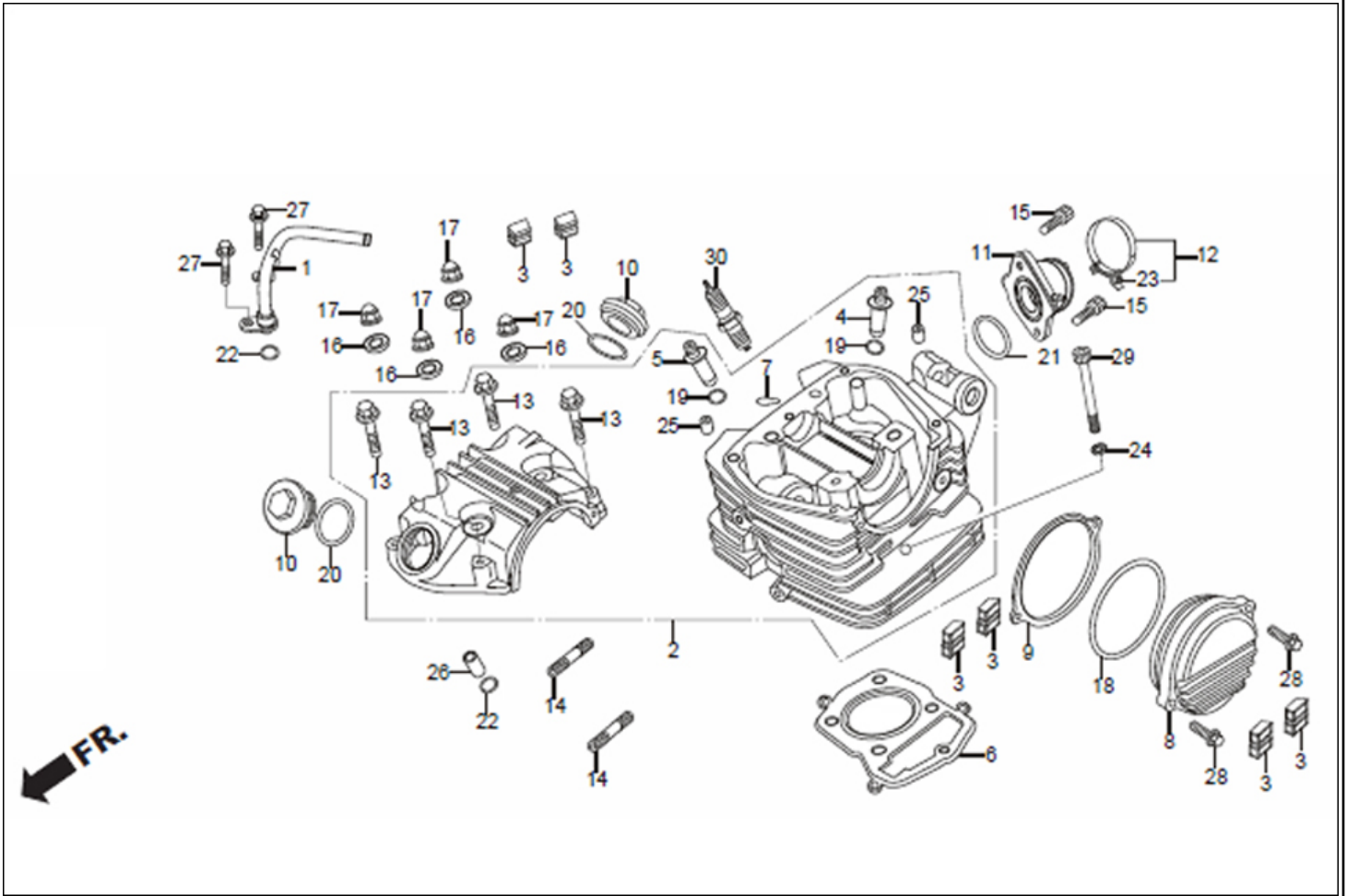
E-1 : CYLINDER HEAD COVER



Group Number: E-1 Model :: Karizma (July, 2012)

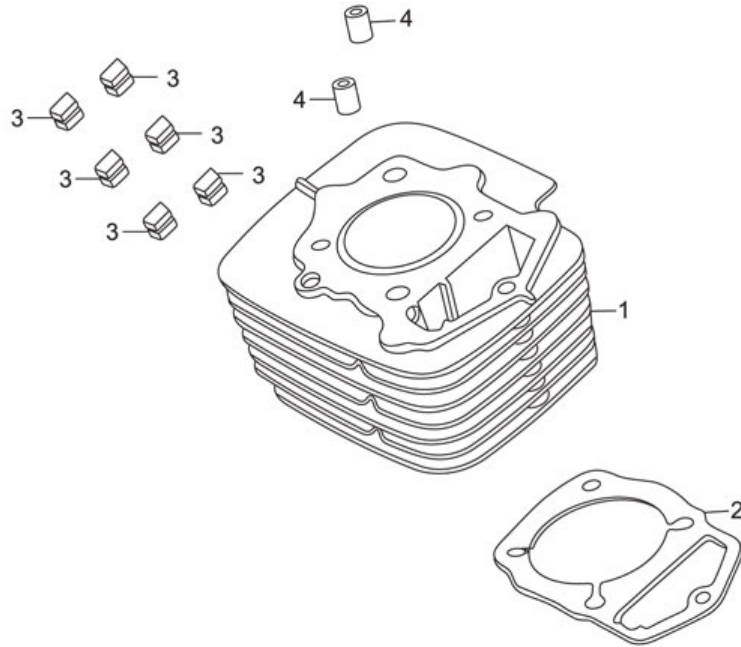
Ref No.	Part Number	Description	Req.
1	11105-KFB-750	PIPE COMP., AIR SUCTION	1
2	12000-KRY-960	HEAD ASSY., CYLINDER	1
3	12195-KRC-920	RUBBER, INSERT	6
4	12204-439-305	GUIDE, INLET VALVE(OVER SIZE)	1
5	12206-KCN-305	GUIDE, EXHAUST VALVE(OVER SIZE)	1
6	12251-KT0-711	GASKET, CYLINDER HEAD	1
7	12271-383-000	RUBBER, OIL SEAL	1
8	12331-KRY-960	COVER LEFT CYLINDER HEAD	1
9	12339-KT0-711	GASKET, PLUSE GEN BASE	1
10	12361-KEZ-900	HOLE CAP, TAPPET ADJUSTING	2
10A	16210-KFB-000	INSULATOR, CARBURETTOR	1
12	16219-MN4-000	BAND C INSULATOR	1
13	90004-GHB-700	BOLT, FLANGE, NSHF, 6X35	4
14	90041-KW1-900	BOLT, STUD, II 7X35	2
15	90091-MM5-640	BOLT, FLANGE, SOCKET, 6 X 22	2
16	90442-028-000	WASHER, SEALING, 8 MM	4
17	90443-107-000	NUT, CAP, 8 MM	4
18	91301-107-000	O-RING, 75X2.5	2
19	91301-200-000	O-RING, 10 X 1.6	2
20	91303-KCS-920	O-RING, 35X3	2
21	91304-KCS-920	O-RING, 33.5X3	1
22	91305-KFN-900	O-RING, 9.8X1.9	2
23	93500-05032-0G	SCREW, PAN ,5X32	1
24	94101-06000	WASHER, PLAIN, 6 MM	1

E-1 : CYLINDER HEAD COVER



25	94301-08140	DOWEL PIN, 8X14	2
26	94301-10120	DOWEL PIN, 10X12	2
27	96001-06016-00	BOLT, FLANGE SH. 6 X 16	2
28	96001-06025-00	BOLT, FLANGE, SH. 6 X 25	2
29	96700-06125-00	SOCKET, BOLT, 6 X 125	1
30	98069-57916-03	SPARK, PLUG (DPR7EA-9)	1
	31918-HM5-630	SPARK PLUG	1

E-2 : CYLINDER

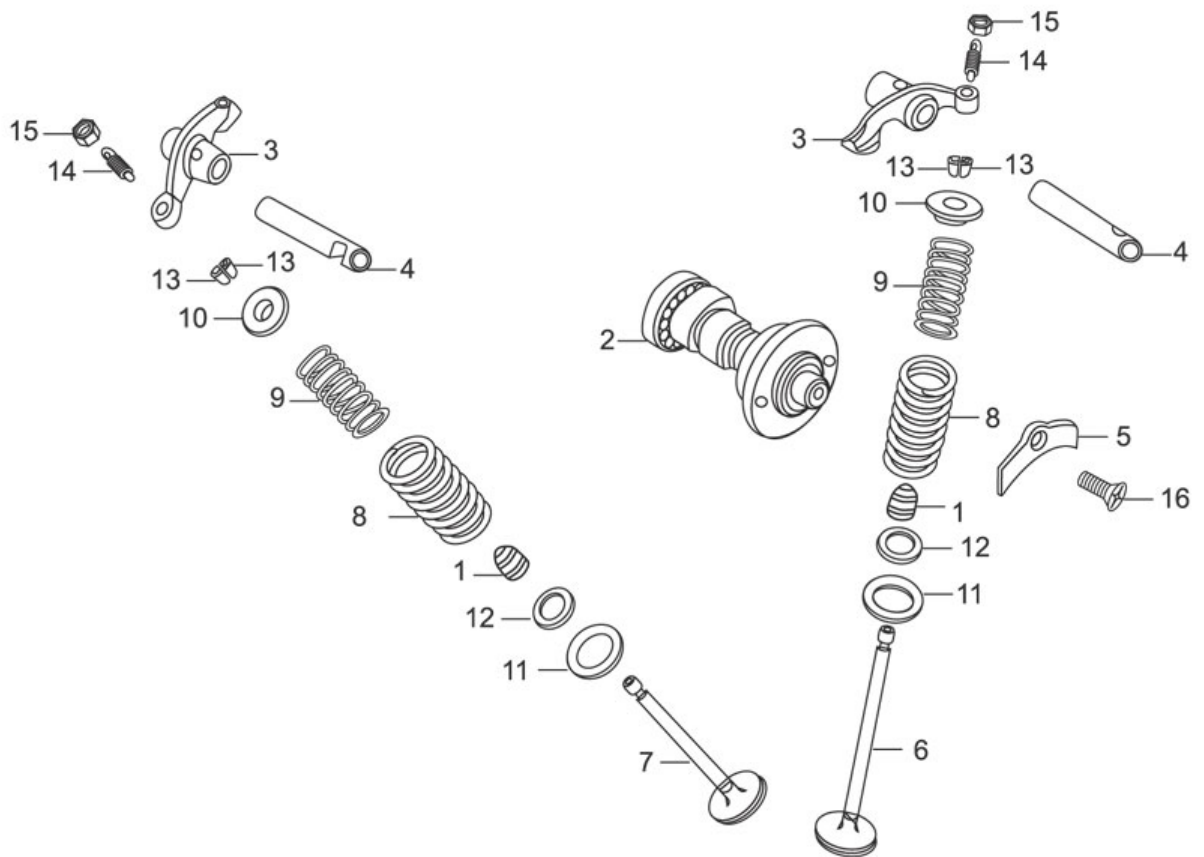


FR. ←

Group Number: E-2 **Model ::** Karizma (July, 2012)

Ref No.	Part Number	Description	Req.
1	12100-KRY-960	CYLINDER COMP.,	1
2	12191-KCN-010	GASKET, CYLINDER	1
3	12195-KRC-920	RUBBER, INSERT	6
4	94301-10200	DOWEL PIN, 10X20	2

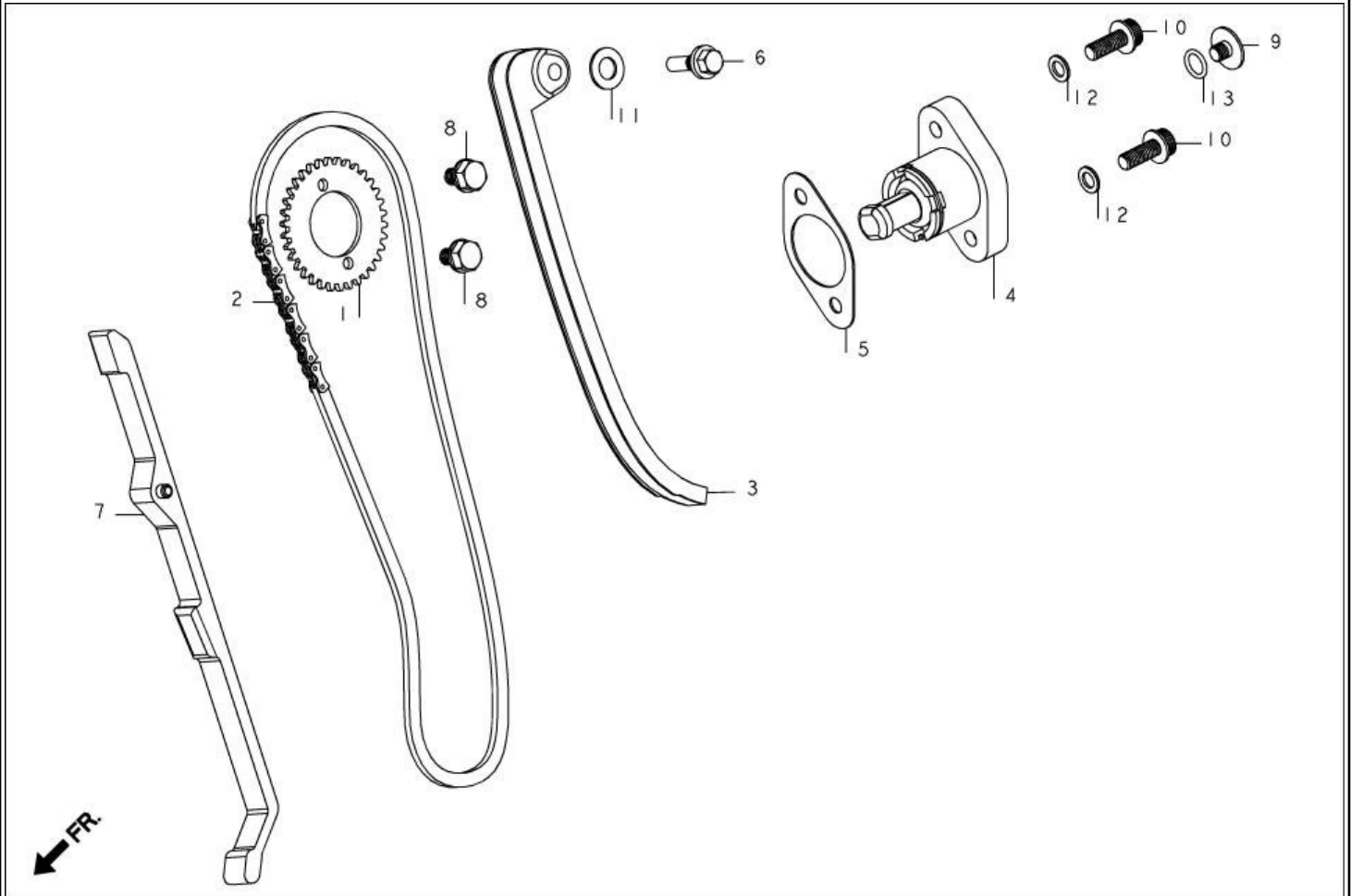
E-3 : CAM SHAFT / VALVE



Group Number: E-3 Model :: Karizma (July, 2012)

Ref No.	Part Number	Description	Req.
1	12208-KCS-920	SEAL, VALVE STEM	2
2	14100-KRY-900	CAM SHAFT COMP.	1
3	14431-KEH-900R	ARM, VALVE ROCKER	2
4	14451-437-000	SHAFT, ROCKER ARM	2
5	14456-KG2-950	SET PLATE, ROCKER ARM	1
6	14711-KBB-900	VALVE, INLET	1
7	14721-KBB-900	VALVE, EXHAUST	1
8	14751-KEH-910	SPRING, VALVE OUTER	2
9	14761-KEH-910	SPRING, VALVE INNER	2
10	14771-107-020	RETAINER, VALVE SPRING	2
11	14775-107-000	SEAT, VALVE SPRING OUTER	2
12	14776-107-010	SEAT, VALVE SPRING INNER	2
13	14781-HA0-770	COTTER, VALVE	4
14	90012-KN6-930L	SCREW, TAPPET ADJUSTING	2
15	90206-250-000	NUT, TAPPET ADJUSTING	2
16	93600-06016-0A	SCREW, FLAT, 6X16	1

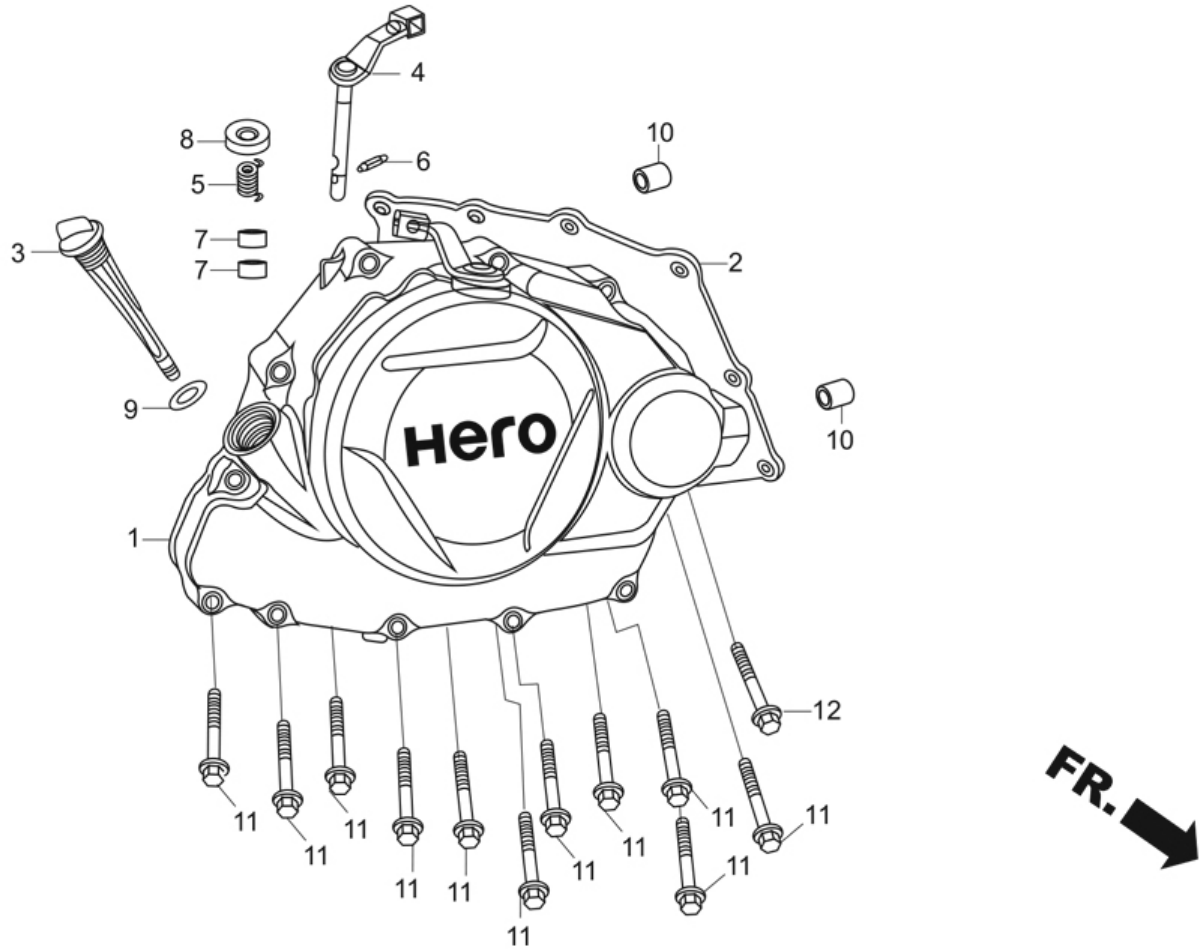
E-4 : CAM CHAIN TENSIONER



Group Number: E-4 Model :: Karizma (July, 2012)

Ref No.	Part Number	Description	Req.
1	14321-KEH-900L	SPROCKET, CAM	1
2	14401-KFB-751	CHAIN, CAM	1
3	14500-KBB-900	TENSIONER, CAM CHAIN	1
4	14520-KRY-970	LIFTER ASSY.TENSIONER	1
5	14523-KEH-910	GASKET, TENSIONER LIFTER	1
6	14535-437-000	BOLT, TENSIONER PIVOT	1
7	14550-KFB-000	GUIDE, CAM CHAIN	1
8	90002-KW1-900	BOLT, FLANGE, 6X10	2
9	90005-KY7-000	SCREW, PAN, 6X6	1
10	90071-MG8-000	BOLT, FLANGE, SOCKET 6X16	2
11	90475-703-000	WASHER, C 8 MM	1
12	90488-425-000	WASHER, SEALING 6 MM	2
13	91306-MG3-000	O- RING, 1.5X9.5	1

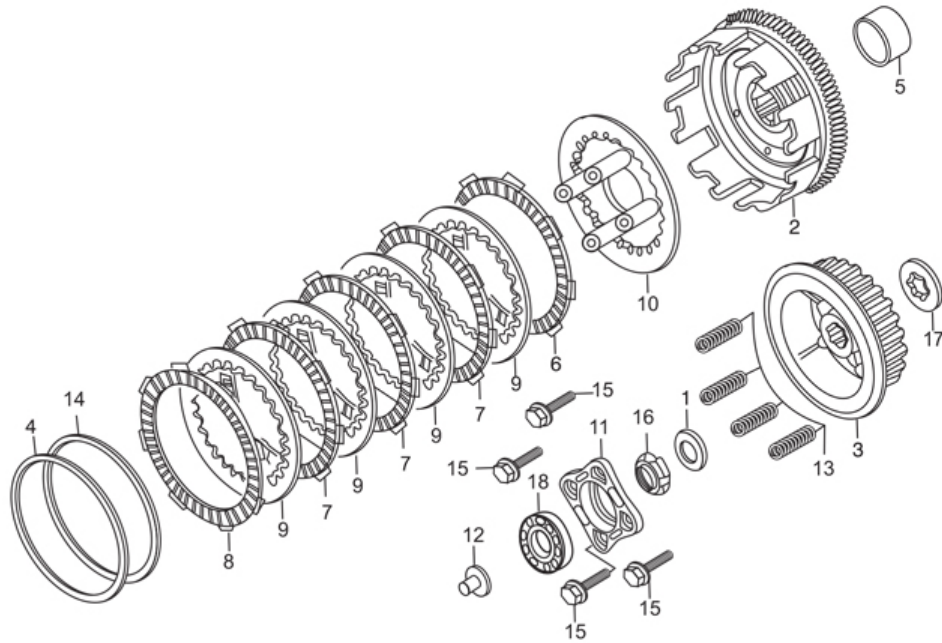
E-5 : RIGHT CRANK CASE COVER



Group Number: E-5 Model :: Karizma (July, 2012)

Ref No.	Part Number	Description	Req.
1	11330-AAP-H00	COVER COMP R CRANKCASE	1
2	11393-KCN-010	GASKET, R COVER	1
3	15650-KCN-000	GAUGE, OIL LEVEL	1
4	22810-KBB-900	LEVER COMP., CLUTCH	1
5	22815-428-000	SPRING, CLUTCH LEVER	1
6	90701-KFN-850	PIN, SPRING, 3 X 10	1
7	91053-719-005	BRG.,NEEDLE,12X16X10	2
8	91201-KCS-920	OIL SEAL, 20X34X7	1
9	91206-KCS-920	OIL SEAL, 14X28X4.	1
10	91307-035-000	O-RING,18 X 3	1
11	94301-08140	DOWEL PIN, 8X14	2
12	96001-06040-00	BOLT, FLANGE, SH. 6 X 40	11
13	96001-06050-00	BOLT, FLANGE, SH. 6 X 50	1

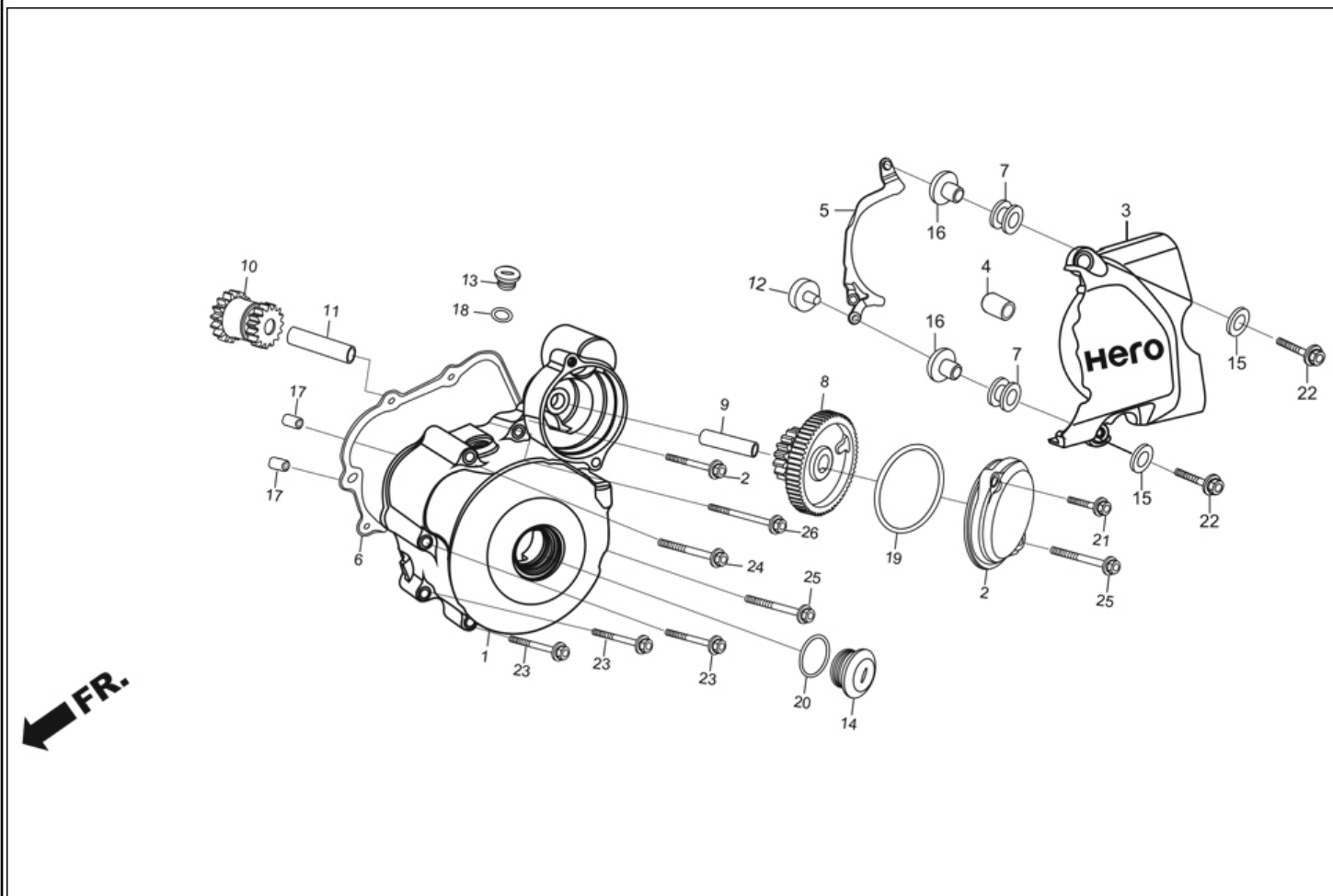
E-6 : CLUTCH



Group Number: E-6 Model :: Karizma (July, 2012)

Ref No.	Part Number	Description	Req.
1	15451-KRY-970	WASHER LOCK 16MM	1
2	22100-KRY-900R	OUTER COMP,CLUTCH	1
3	22121-KPK-900	CENTER COMP,CLUTCH	1
4	22125-KW7-900	SEAT, JUDDER SPRING	1
5	22131-KPM-850	GUIDE,CLUTCH OUTER	1
6	22201-KBW-900	DISC,CLUTCH FRICTION	1
7	22201-KPM-850	DISK,CLUTCH FRICTION,4 X 8 X 45	3
8	22201-MJ8-000	DISC, CLUTCH FRICTION	1
9	22321-KE8-000	PLATE,CLUTCH	4
10	22355-KPK-900	PLATE,CLUTCH PRESSURE	1
11	22361-KPK-900	PLATE,CLUTCH LIFTER	1
12	22366-KFB-000	ROD,CLUTCH LIFTER	1
13	22401-KRY-900	SPRING,CLUTCH	4
14	22402-KPM-850	SPRING,JUDDER	1
15	90050-357-000	SPECIAL BOLT, FLANGE, 6X22	4
16	90231-KB5-720	NUT, LOCK, 16 MM	1
17	90461-KPK-900	WASHER,20 MM	1
18	91008-KK6-000	BEARING, BALL RADIAL 16003	1

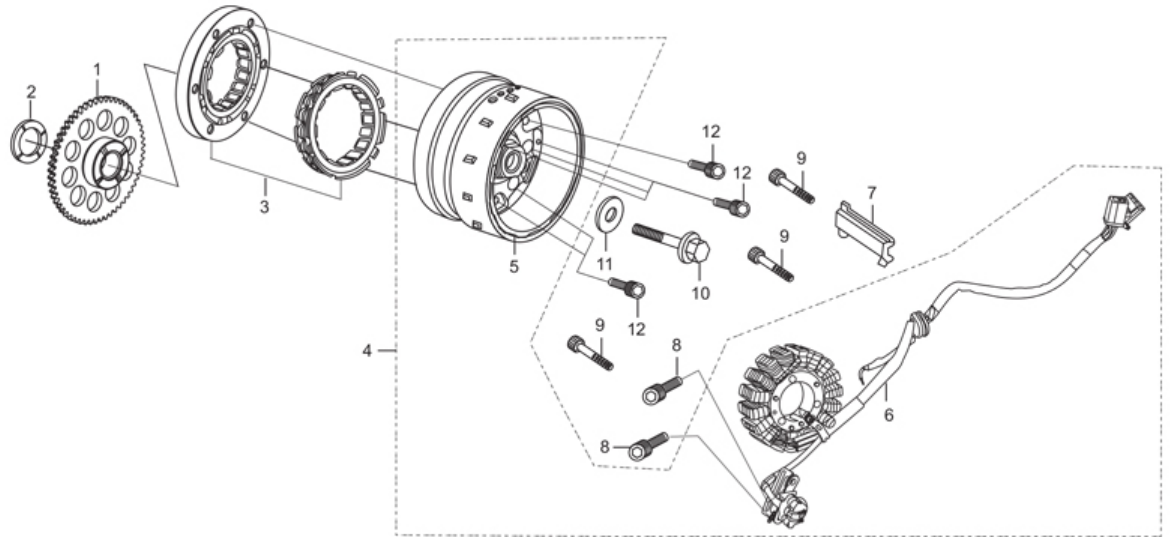
E-7 : LEFT CRANK CASE COVER



Group Number: E-7 Model :: Karizma (July, 2012)

Ref No.	Part Number	Description	Req.
1	11341-KRY-960	COVER LEFT CRANK CASE	1
2	11355-KRY-960	COVER, REDUCTION GEAR (NH-35M)	1
3	11361-AAP-H00	COVER LEFT REAR CRANKCASE	1
4	11363-437-620	RUBBER, REAR COVER MOUNT	1
5	11370-KRY-900A	GUIDE COMP., DRIVE CHAIN	1
6	11395-KCN-010	GASKET, L COVER	1
7	17622-GB7-900	RUBBER, CUSHION	2
8	28130-KFB-000	GEAR, REDUCTION	1
9	28132-KN6-930	SHAFT, REDUCTION GEAR	1
10	28140-KFB-000	GEAR, IDLE (16T)	1
11	28142-KW1-900	SHAFT, IDLE GEAR	1
12	35752-KRY-900A	RUBBER, NEUTRAL SW.	1
13	90084-KVE-930	CAP 14 MM	1
14	90087-KTC-A20	CAP, 30 MM,	1
15	90417-041-000	WASHER, GEAR SHIFT DRUM SIDE	2
16	90502-KEZ-900	COLLAR, RUBBER CUSHION	2
17	90703-HC4-000	DOWEL PIN, 10X14	2
18	91303-377-000	O-RING, 13.8 X 2.5	1
19	91304-MZ0-760	O RING 63X3	1
20	91356-KEH-910	O-RING, 30 MM	1
21	96001-06020-00	BOLT, FLANGE, SH. 6 X 20	1
22	96001-06028-00	BOLT, FLANGE, SH. 6X28	2
23	96001-06040-00	BOLT, FLANGE, SH. 6 X 40	4
24	96001-06060-00	BOLT, FLANGE, SH. 6 X 60	1

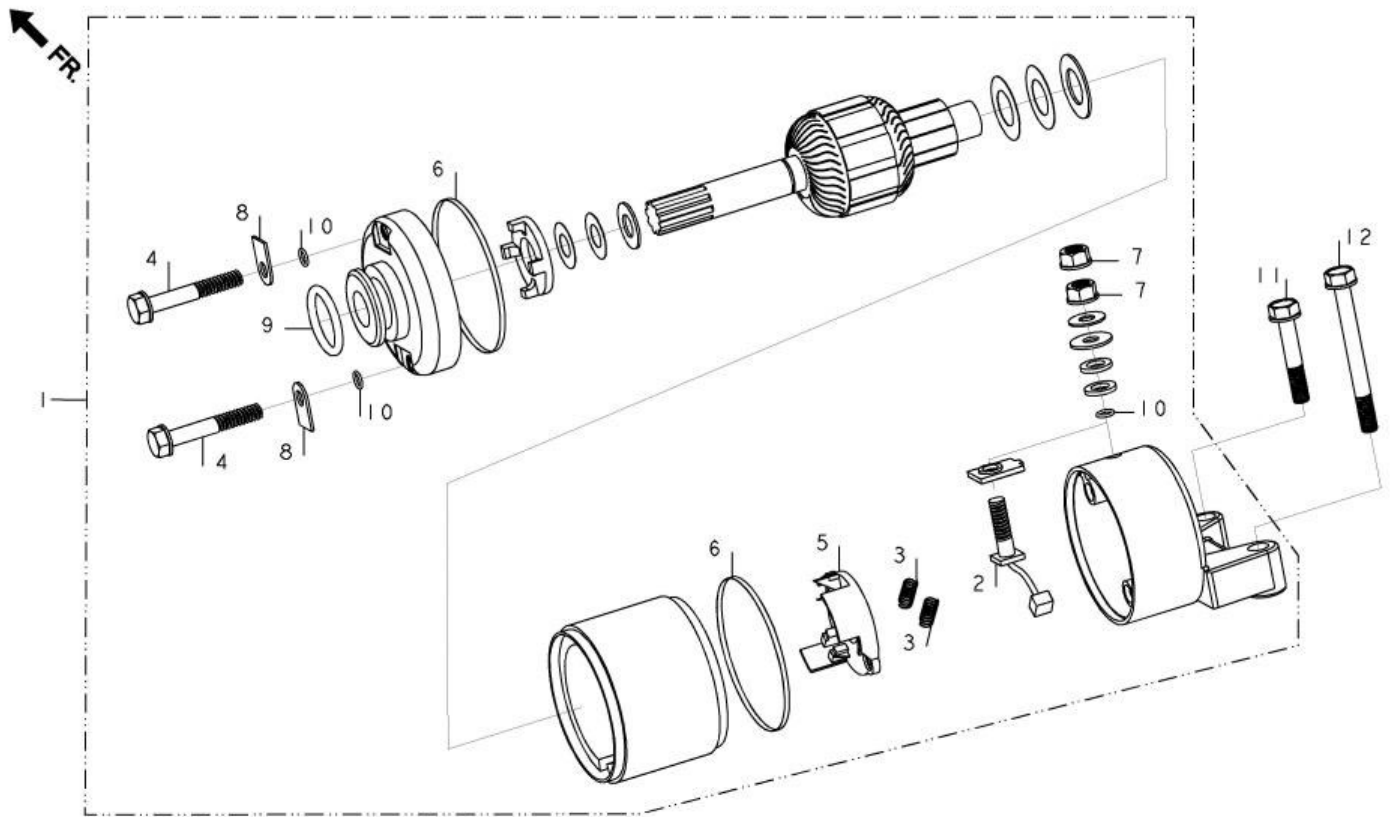
E-7A : A.C. GEN. FLYWHEEL



Group Number: E-7A Model :: Karizma (July, 2012)

Ref No.	Part Number	Description	Req.
1	28110-KEW-900	GEAR COMP., STARTER DRIVEN	1
2	28114-KN6-930	COLLAR, STARTER DRIVEN GEAR	1
3	28125-KFC-791L	OUTER COMP., STARTING CLUTCH	1
4	31100-KRY-901	A.C.GEN., FLYWHEEL(ND)	1
5	31110-KRY-901	FLYWHEEL COMP.,(ND)	1
6	31120-KRY-901	STATOR, COMP., (ND)	1
7	32975-KFB-000	GUIDE, ACG CORD	1
8	90089-KAS-900	BOLT, FLANGE SOCKET, 5X14	2
9	90092-KE5-000	BOLT, STOPPER TENSIONER SHAFT	3
10	90101-AAP-000	BOLT, FLANGE, 10 X 65	1
11	90403-KN6-930	WASHER, 10X24	1
12	96700-06032-10	BOLT,SOCKET, 6X32	6

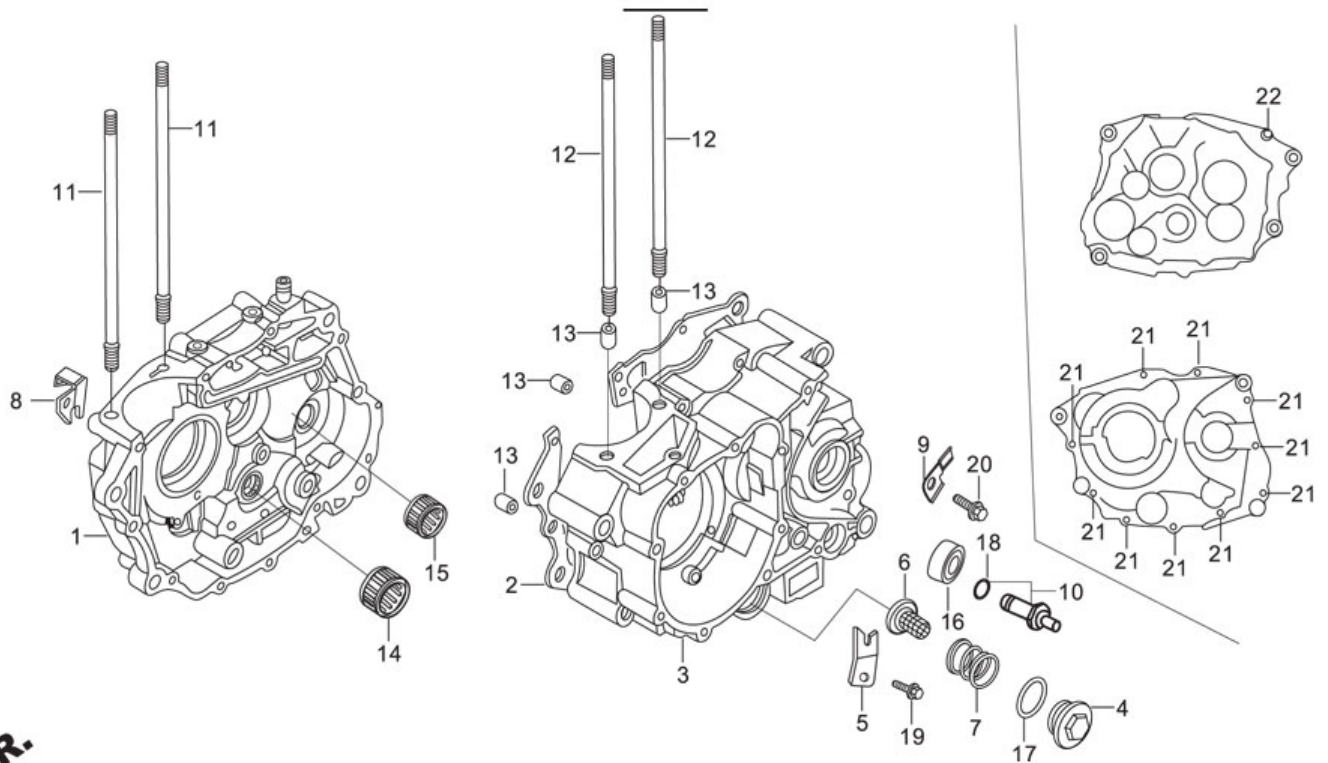
E-7B : STARTER MOTOR



Group Number: E-7B Model :: Karizma (July, 2012)

Ref No.	Part Number	Description	Req.
1	31200-KPS-A11	MOTOR ASSY STARTER	1
2	31201-MEW-921	CARBON BRUSH SET A	1
3	31204-MEW-921	SPRING CARBON BRUSH	2
4	31205-HP5-601	BOLT SET	2
5	31206-KW1-901	BRUSH,HOLDER SET	1
6	31207-HP5-601	RING	2
7	90071-MB0-000	NUT, WASHER, 6 MM	2
8	90122-MN4-008	WASHER, STEEL PLATE	2
9	91309-425-003	O RING 24.4X3.1	1
10	91320-MB0-000	O RING	3
11	95801-06035-00	BOLT,FLANGE, 6 X 35	1
12	95801-06060-00	BOLT,FLANGE, 6 X 60	1
2A	31202-MEW-921	CARBON BRUSH SET B	1
2B	31203-MEW-921	BRUSH HOLDER	1
4A	31206-MEW-921	TERMINAL BOLT	1
6A	31208-MEW-921	INSULATOR	1
6B	31209-MEW-921	TERMINAL STOPPER	1
6C	31210-MEW-921	WASHER	1
10A	93892-05012-08	SCREW WASH 5X12	1

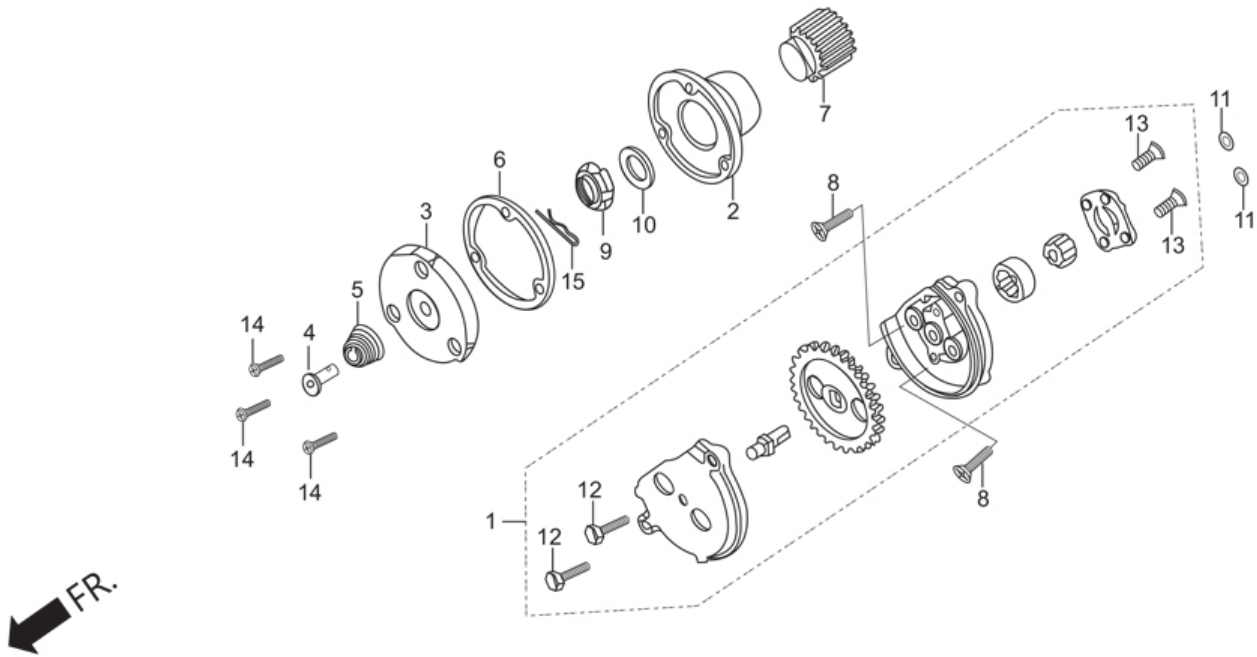
E-8 : CRANK CASE



Group Number: E-8 Model :: Karizma (July, 2012)

Ref No.	Part Number	Description	Req.
1	11100-KRY-960	CRANK CASE COMP., RIGHT	1
2	11191-KCN-010	GASKET, CRANK CASE	1
3	11200-KRY-960	CRANK CASE COMP., LEFT	1
4	12361-KEZ-900	HOLE CAP, TAPPET ADJUSTING	1
5	14513-KBB-900	PLATE, CAM CHAIN SET	1
6	15421-107-000	SCREEN, OIL FILTER	1
7	15426-107-000	SPRING, OIL FILTER SCREEN	1
8	22838-437-000	HOLDER, CLUTCH WIRE	1
9	32976-KCT-690	CLAMPER, WIRE HARNESS	1
10	35750-KCS-920	CONTACT, NEUTRAL SWITCH	1
11	90031-KFB-000L	BOLT, A STUD CYLINDER	2
12	90032-KFB-000	BOLT B STUD CYLINDER	2
13	90703-HC4-000	DOWEL PIN, 10X14	4
14	91008-KCS-920	BEARING, NEEDLE, 21 MM	1
15	91106-KCS-920	BEARING, NEEDLE, 15 MM	1
16	91206-KCS-920	OIL SEAL, 14X28X4.	1
17	91303-KCS-920	O-RING, 35X3	1
18	91312-107-000	O -RING, 7 X 1.7	1
19	95701-06012-00	BOLT, FLANGE, 6X12	1
20	96001-06014-00	BOLT, FLANGE, SH. 6 X 14	1
21	96001-06050-00	BOLT, FLANGE, SH. 6 X 50	10
22	96001-06060-00	BOLT, FLANGE, SH. 6 X 60	1

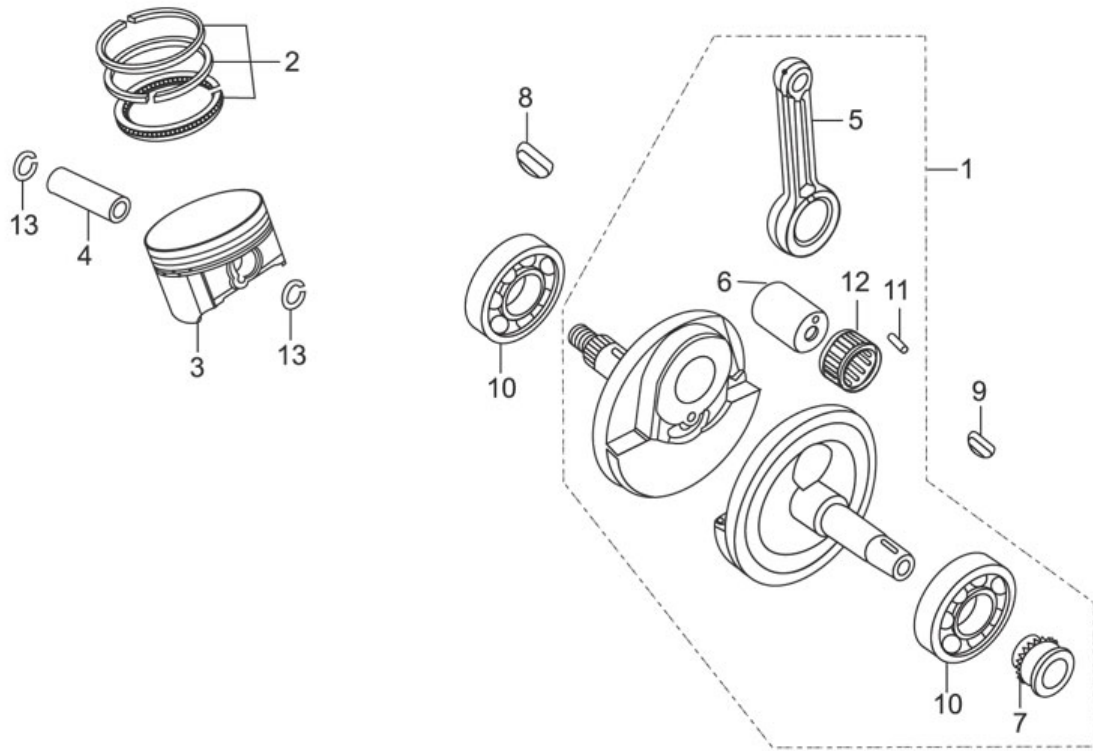
E-8A : OIL PUMP



Group Number: E-8A Model :: Karizma (July, 2012)

Ref No.	Part Number	Description	Req.
1	15100-AAR-101	OIL PUMP ASSY	1
2	15430-440-030	ROTOR COMP., OIL FILTER	1
3	15436-107-000	CAP, OIL FILTER ROTOR	1
4	15441-KCS-650	OIL, THROUGH	1
5	15446-107-000	SPRING, OIL THROUGH	1
6	15459-KWK-900	GASKET ,OIL FILTER CAP	1
7	23121-KBB-900	GEAR, PRIMARY DRIVE (22T)	1
8	90101-440-000	SCREW, FLAT, 6X30	2
9	90231-KCS-920	NUT, LOCK, 16 MM	1
10	90434-KN6-930	WASHER, 16 MM	1
11	91304-KK3-830	O-RING, 9.4X2.4	2
12	92101-05020-0A	BOLT, HEX., 5X20	2
13	93600-04012-0A	SCREW, FLAT, 4X12	2
14	93700-05012-0A	SCREW, OVAL, 5X12	3
15	94251-08000	PIN LOCK, 8 MM	1

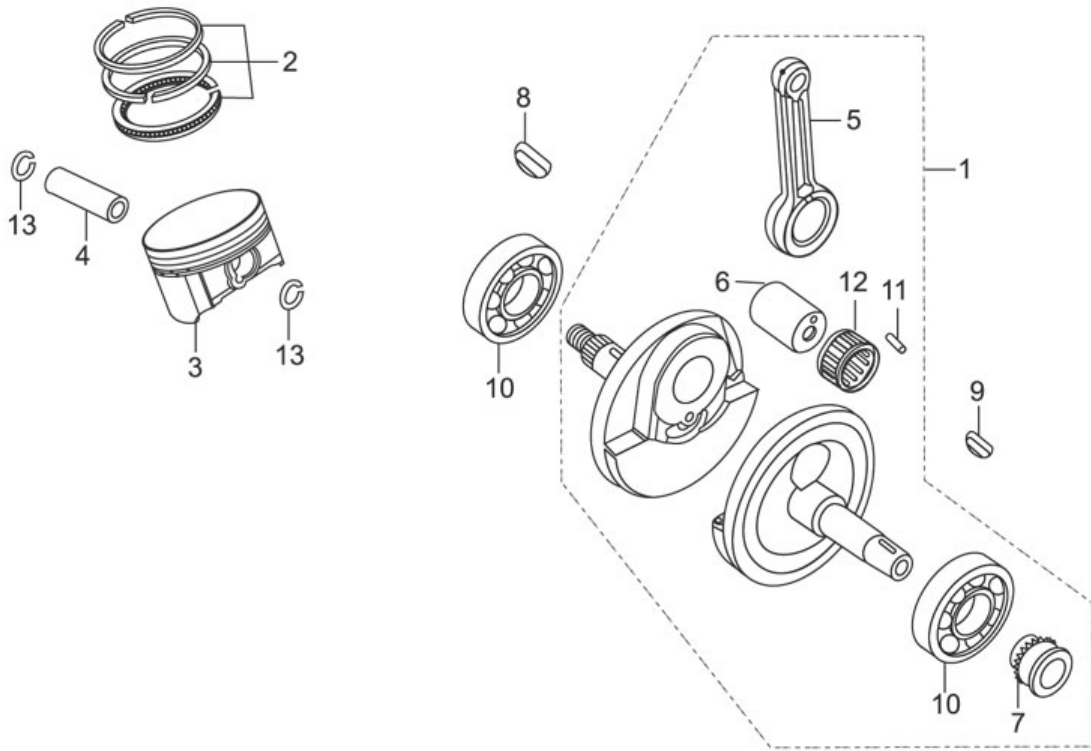
E-9 : CRANK SHAFT / PISTON



Group Number: E-9 Model :: Karizma (July, 2012)

Ref No.	Part Number	Description	Req.
1	13000-KRY-903	CRANK SHAFT,COMP	1
2	13011-KRY-900	RING SET,PISTON(STD)	1
3	13101-KRY-901	PISTON(STD)	1
4	13111-440-000	PIN, PISTON	1
5	13201-KFB-300	ROD CONNECTING	1
6	13380-KCN-300	PIN COMP,CRANK	1
7	14311-KN6-931L	SPROCKET, TIMING	1
8	90471-KW1-900	KEY,WOODRUFF,25 X 18	1
9	90741-KFB-000	KEY,WOODRUFF,4 MM	1
10	91001-KCN-003	BRG. BALL RADIAL, 28 X 72 X 18	2
11	91102-KC6-003	ROLLER,4 X 14.8 A	18
	91103-KC6-003	ROLLER, 4 X 14.8 B	18
	91104-KC6-003	ROLLER, 4 X 14.8 C	18
12	91105-KW3-003	RETAINER, CONROD L END	1
13	94601-15000	CLIP,PISTON PIN,15 MM	2

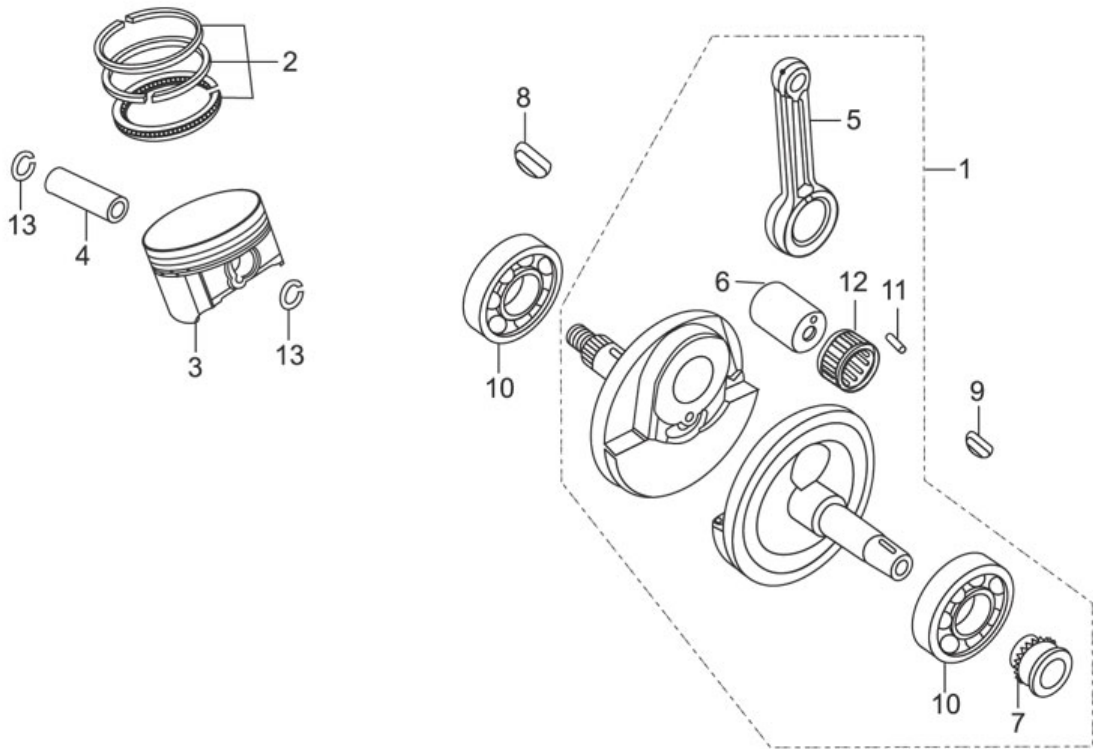
E-9 : CRANK SHAFT / PISTON



FR.

Group Number: E-9 Model :: Karizma (July, 2012)

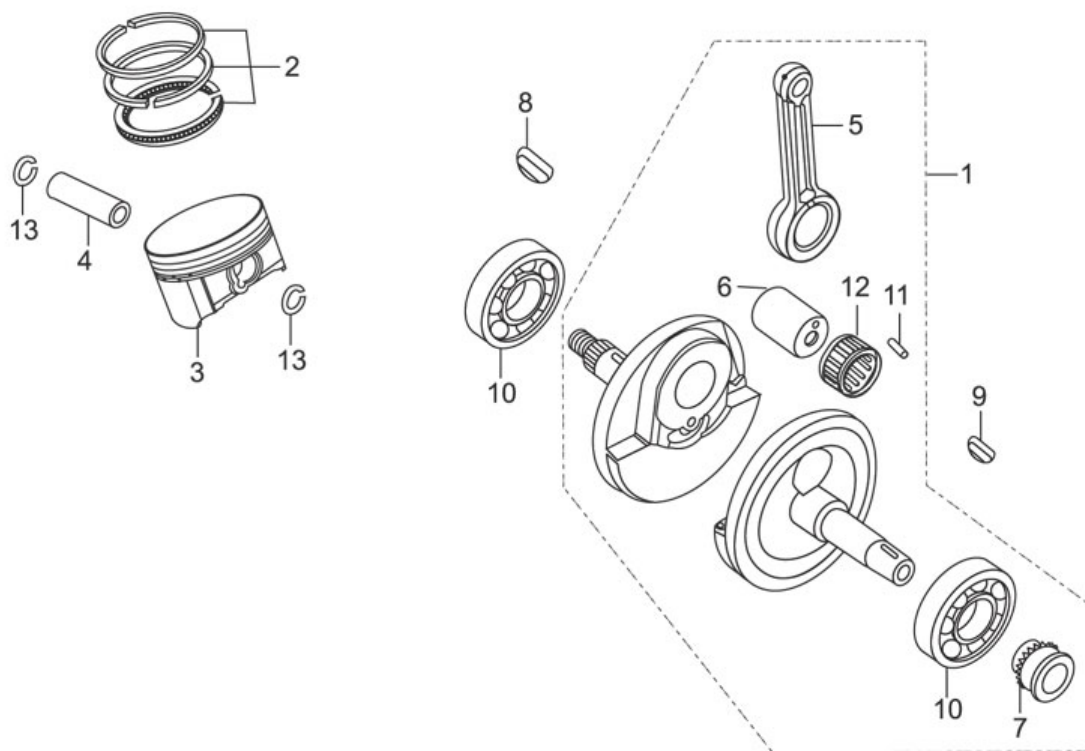
E-9 : CRANK SHAFT / PISTON



SELECTION TABLE OF CONNECTING ROD BIG END BEARING

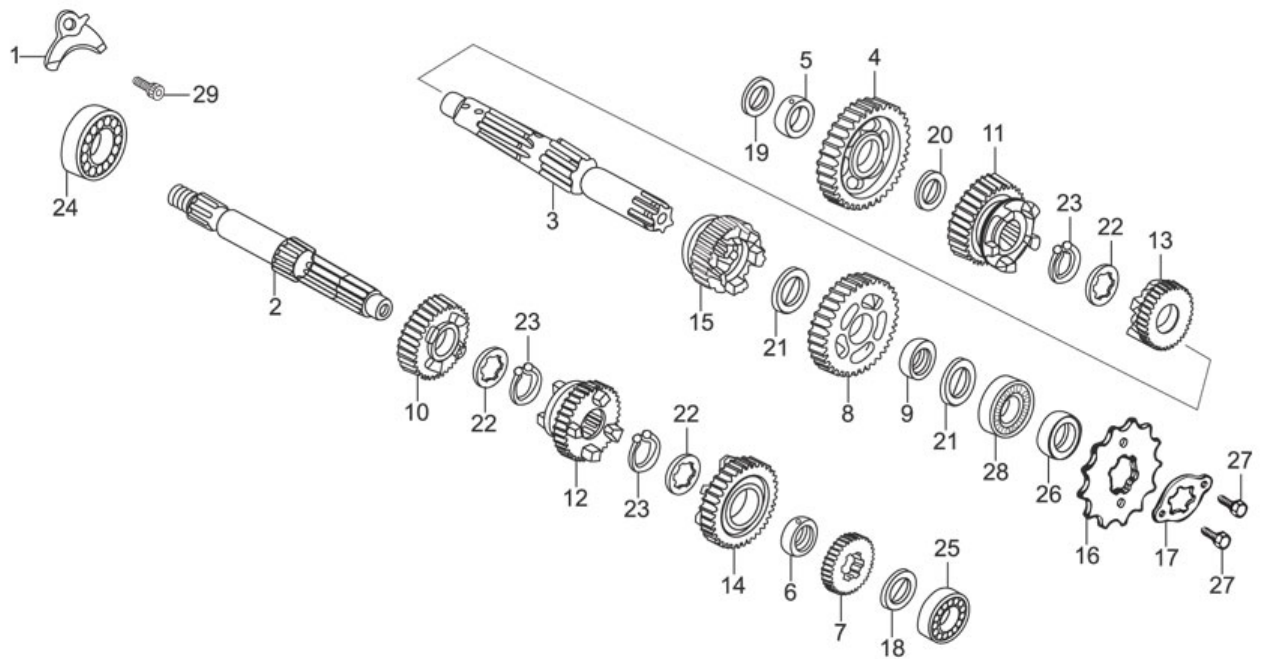
Connecting rod code			Crank Pin code (Colour)				
			1	2	3	4	5
ID. MARK	ID. COLOUR	TOL.	-0.001 +0.001 (Green)	+0.001 +0.003 (Yellow)	+0.003 +0.005 (White)	+0.005 +0.007 (Blue)	+0.007 +0.009 (Brown)
A	YELLOW	+0.005 +0.003	91103- KC6-003 Blue		91104- KC6-003 White		
B	RED	+0.007 +0.005		91103- KC6-003 Blue		91104- KC6-003 White	
C	BLACK	+0.009 +0.007	91102- KC6-003 Red		91103- KC6-003 Blue		91104- KC6-003 White
D	GREEN	+0.011 +0.009		91102- KC6-003 Red		91103- KC6-003 Blue	
E	BLUE	+0.013 +0.011			91102- KC6-003 Red		91103- KC6-003 Blue
F	PURPLE	+0.015 +0.013				91102- KC6-003 Red	
G	BROWN	+0.017 +0.015					91102- KC6-003 Red

E-9 : CRANK SHAFT / PISTON



FR.

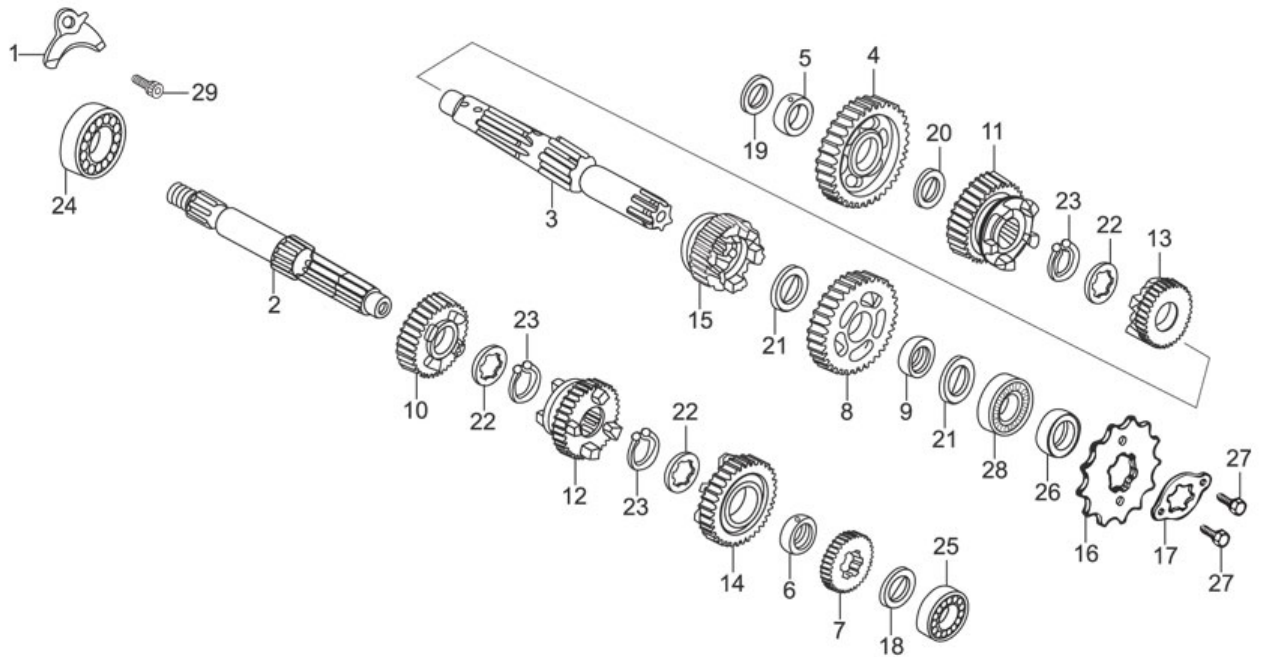
E-10 : TRANSMISSION (MAIN SHAFT / COUNTER SHAFT & GEARS)



Group Number: E-10 Model :: Karizma (July, 2012)

Ref No.	Part Number	Description	Req.
15	23511-KRY-970	GEAR C-5 (22T)	1
16	23801-KRY-970	SPROCKET DRIVE 13T	1
17	23811-KR3-600	PLATE, A2 FIXING	1
18	90451-107-000	WASHER THRUST, 15MM	1
19	90451-365-000	WASHER THRUST, 15MM	1
20	90452-437-000	WASHER THRUST, 16.5 MM	1
21	90454-107-000	WASHER ,THRUST, 20MM	2
22	90455-107-000	WASHER A SPLINE, 20MM	3
23	90605-200-000	SET RING, 20MM	3
24	91005-KCN-003	BRG. BALL RADIAL, 20 X 55 X 11	1
25	91015-KEH-910	BEARING, BALL RADIAL, 6202U	1
26	91201-KCS-920	OIL SEAL, 20X34X7	1
27	92101-06010-0A	BOLT, HEX., 6 X 10	2
28	96100-62040-00	BEARING, BALL RADIAL, 6204	1
29	96600-08018-18	BOLT, SOCKET, 8 X 18	1
1	11108-KHA-940	PLATE BEARING SET	1
2	23211-KHA-940	SHAFT, MAIN TRANSMISSION	1
3	23221-KRY-900	SHAFT, COUNTER TRANSMISSION	1
4	23426-KBB-900	GEAR C1 (36T)	1
5	23427-KW1-900	BUSH, 16.5 X 19.5 X 9	1
6	23431-KRY-900	BUSH, 20 MM	1
7	23441-KBB-900	GEAR, M2 (18T)	1
8	23451-KRY-970	GEAR C-2 (31T)	1
9	23452-KW1-900	BUSH 20X23X9	1

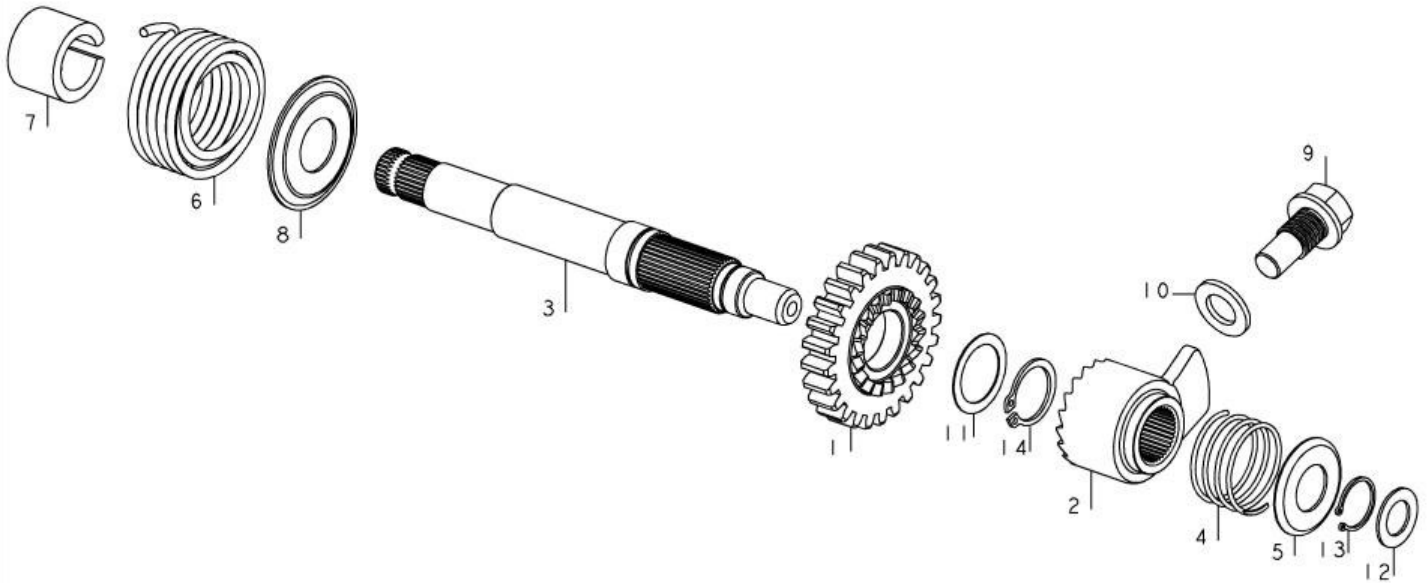
E-10 : TRANSMISSION (MAIN SHAFT / COUNTER SHAFT & GEARS)



FR.

10	23461-KBB-900	GEAR , M3 (19T)	1
11	23471-KBB-900	GEAR, C3 (24 T)	1
12	23481-KBB-900	GEAR , M4 (22 T)	1
13	23491-KBB-900	GEAR, C4 (22T)	1
14	23501-KRY-900	GEAR M5 (27 T)	1

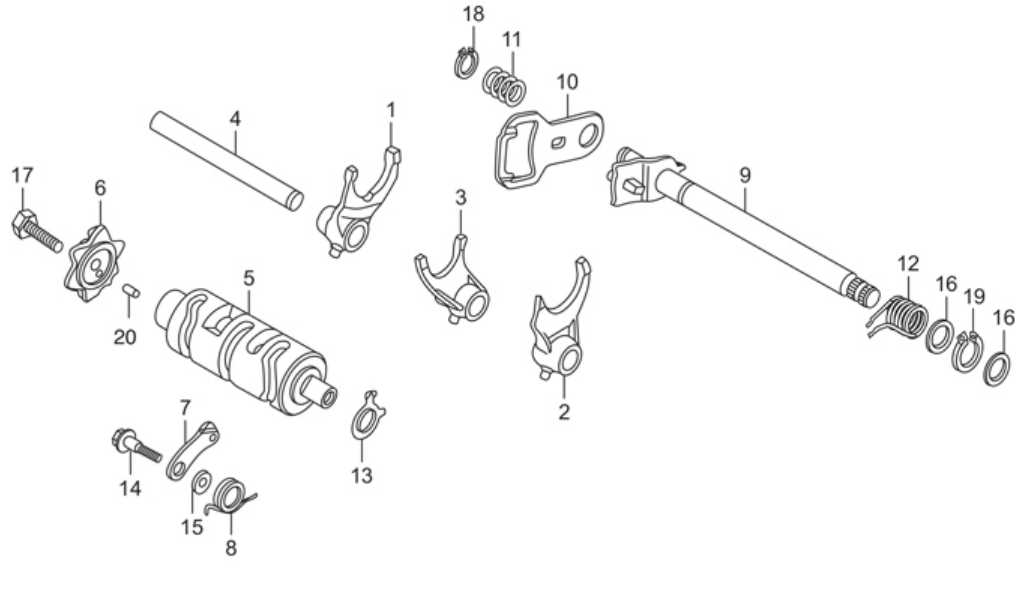
E-11 : KICK STARTER SPINDLE



Group Number: E-11 Model :: Karizma (July, 2012)

Ref No.	Part Number	Description	Req.
1	28211-KHA-940	PINION,KICK STARTER	1
2	28221-KCJ-710	RATCHET, KICK STARTER	1
3	28251-KFN-850	SPINDLE, KICK STARTER	1
4	28253-KCJ-710	SPRING, KICK STARTER RATCHET	1
5	28254-437-000	SEAT, RATCHET SPRING	1
6	28261-KCJ-710	SPRING, KICK STARTER	1
7	28262-437-000	COLLAR, KICK SPINDLE	1
8	28263-KCJ-710	RETAINER, STARTER SPRING	1
9	90004-437-000	BOLT, KICK RACHET	1
10	90401-KCJ-710	WASHER, 12 MM	1
11	90453-107-000	WASHER A THRUST, 20MM	1
12	90459-107-000	WASHER, THRUST, 12 MM	1
13	94510-16000	CIRCLIP, EXTERNAL, 16 MM	1
14	94510-20000	CIRCLIP, EXTERNAL, 20 MM	1

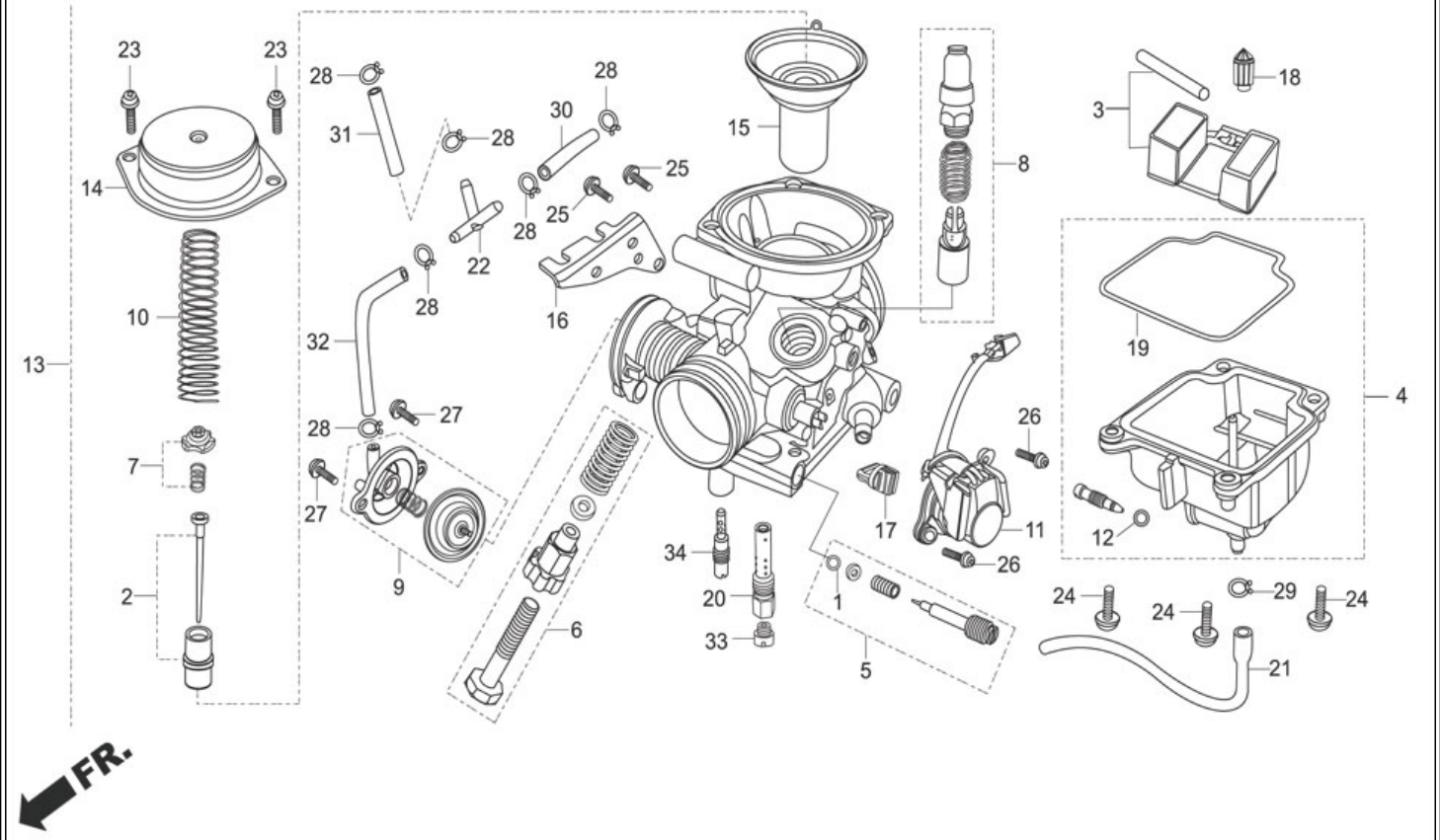
E-12 : GEAR SHIFT DRUM



Group Number: E-12 Model :: Karizma (July, 2012)

Ref No.	Part Number	Description	Req.
1	24211-KW1-900	FORK RIGHT,GEAR SHIFT	1
2	24221-KBB-900	FORK LEFT, GEAR SHIFT	1
3	24231-KW1-900	FORK CENTER, GEAR SHIFT	1
4	24241-KCS-650	SHAFT, GEAR SHIFT FORK GUIDE	1
5	24301-KCN-000	DRUM, GEAR SHIFT	1
6	24411-KCN-000	CAM, GEAR SHIFT	1
7	24430-KW1-900	STOPPER COMP., GEAR SHIFT DRUM	1
8	24435-KCN-000	SPRING,SHIFT DRUM STOPPER	1
9	24610-KC6-000	SPINDLE COMP., GEAR SHIFT	1
10	24621-107-760	PLATE, GEAR SHIFT	1
11	24631-107-000	SPRING, GEAR SHIFT PLATE	1
12	24651-107-000	SPRING,GEAR SHIFT RETURN	1
13	35753-KCS-920	ROTOR, NEUTRAL SWITCH	1
14	90023-KW1-900	PIVOT, SHIFT DRUM STOPPER	1
15	90408-KW1-900	WASHER, 6 MM	1
16	90451-001-000	WASHER, THRUST, 14 MM	2
17	92000-06025-0A	BOLT, HEX., 6 X 25	1
18	94510-12000L	CIRCLIP, EXTERNAL, 12 MM	1
19	94510-14000	CIRCLIP, EXTERNAL, 14 MM	1
20	96220-40100	ROLLER, 4X10	1

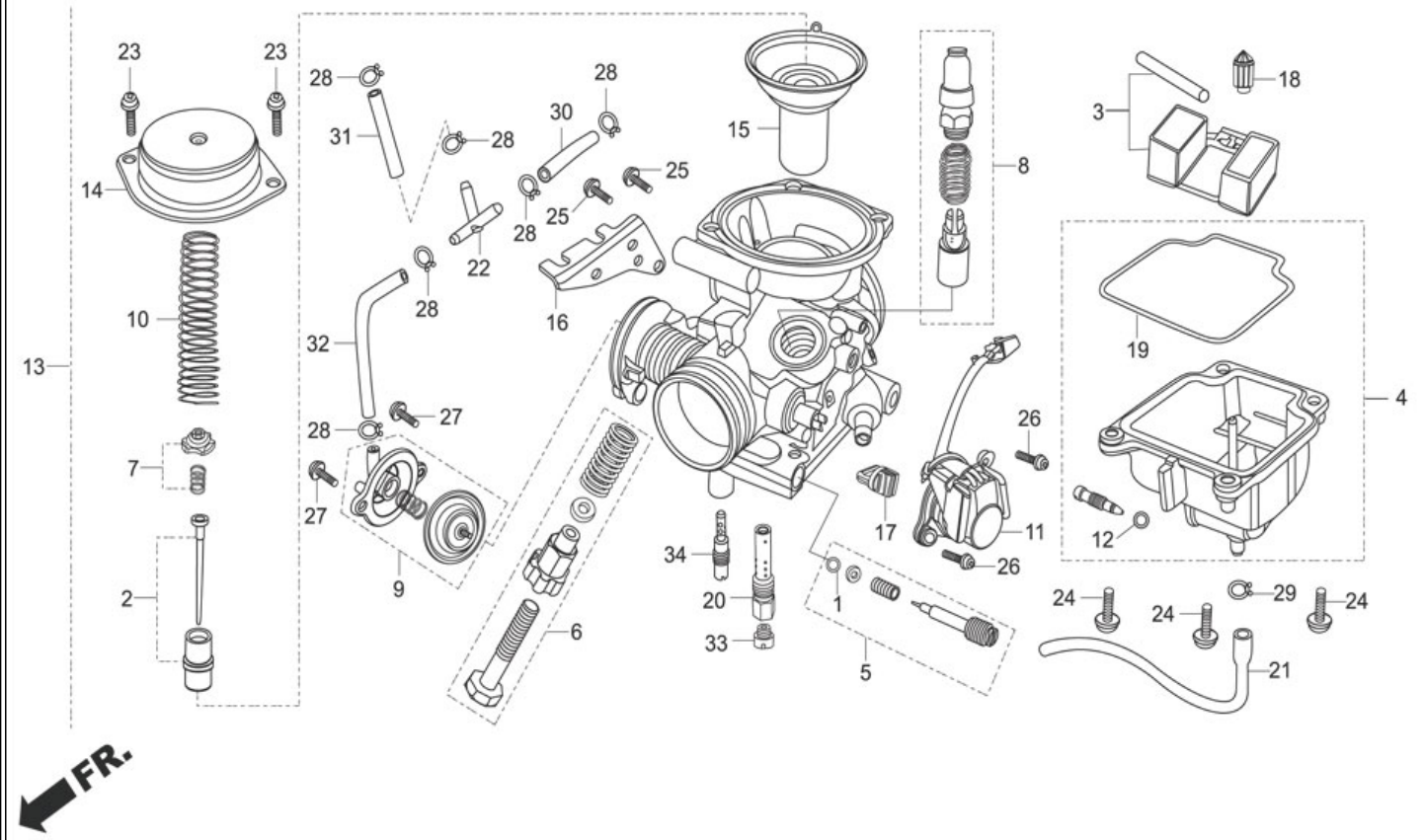
E-13 : CARBURETTOR



Group Number: E-13 Model :: Karizma (July, 2012)

Ref No.	Part Number	Description	Req.
1	16010-KRY-901A	O-RING	1
2	16012-KRY-901	NEEDLE, SET JET	1
3	16013-KRY-901	FLOAT, SET	1
4	16015-KRY-901	CHAMBER, SET FLOAT	1
5	16016-KRY-902	SCREW, SET	1
6	16028-KRY-901	SCREW, SET	1
7	16037-KRY-901	PLATE SET, VALVE	1
8	16046-KRY-901	VALVE SET, STARTER	2
9	16048-KRY-901	VALVE SET, AIR CUT	1
10	16050-KRY-901	SPRING, COMPRN. COIL	1
11	16060-KRY-901	SENSOR SET, THROTTLE	1
12	16076-ND5-004	O-RING, 1.3 X 4.3	1
13	16100-KRY-901	CARBURETTOR ASSY.(SER.PART)	1
14	16107-KRY-901	TOP COMP.	1
15	16111-KRY-901	PISTON COMP., VACCUM	1
16	16119-KRY-901	STAY, WIRE	1
17	16145-KRY-901	JOINT, CONNECTOR	1
18	16155-KRY-901	VALVE COMP., FLOAT	1
19	16163-KRY-901	GASKET, FLOAT CHAMBER	1
20	16165-KRY-901	HOLDER, NEEDLE JET	1
21	16198-KRY-902	TUBE	1
22	17201-KRY-901	JOINT, A VACUUM TUBE	1
23	93500-04008-1A	SCREW, PAN, 4 X 8	2
24	93500-04014-1A	SCREW, PAN, 4 X 14	4

E-13 : CARBURETTOR



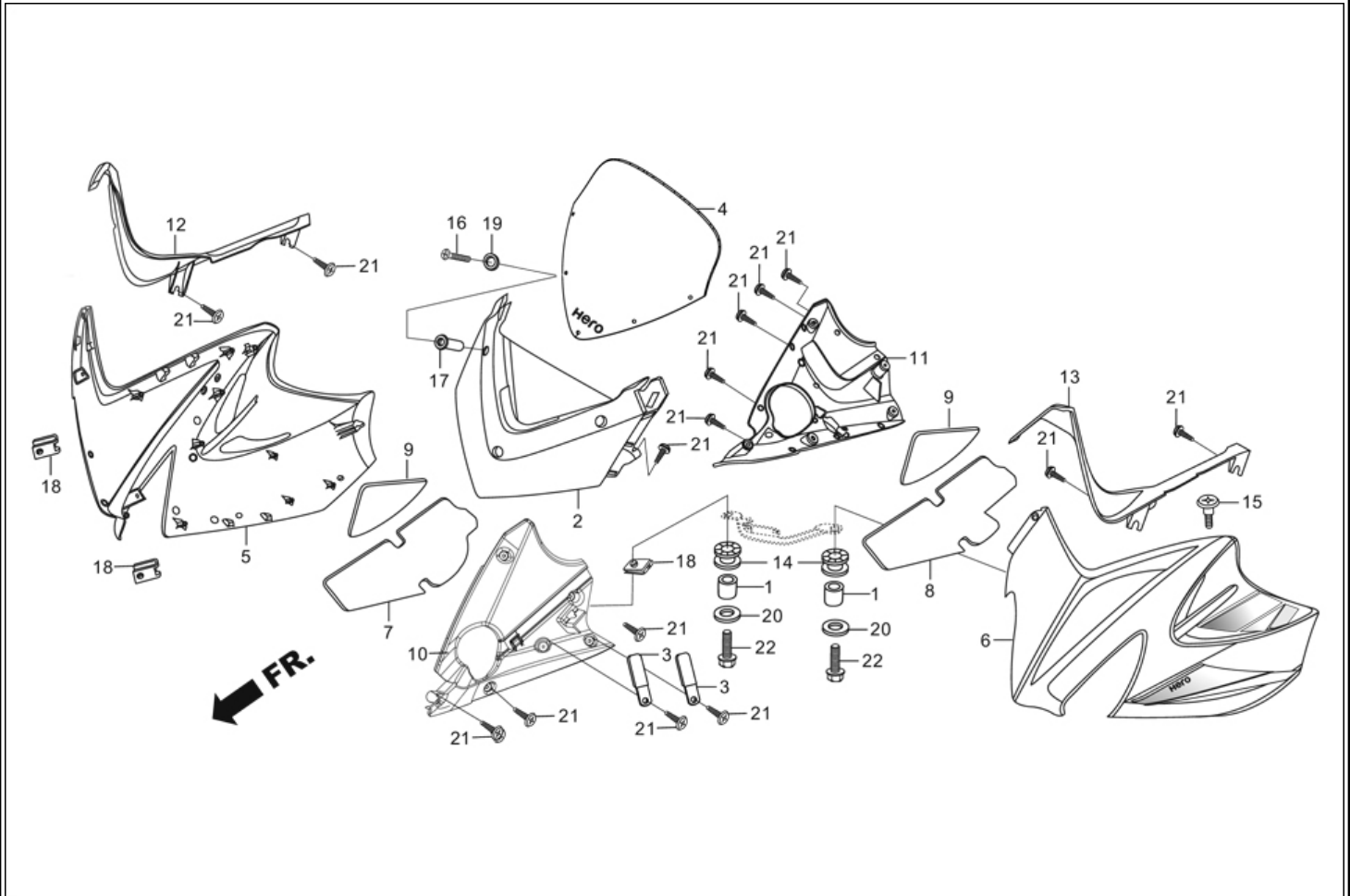
25	93500-05010-1A	SCREW, PAN, 5X10	2
26	93500-05010-1H	SCREW, PAN, 5 X 10	2
27	93892-04010-18	SCREW, WASHER, 4 X 10	2
28	95002-02079	CLIP, B1 7 TUBE	6
29	95002-02089	CLIP, B1 8 TUBE	1
30	95005-35055-20	TUBE, 3.5 X 55	1
31	95005-35090-20	TUBE, 3.5 X 90	1
32	95005-35190-20	TUBE, 3.5 X 190	1
33	99101-KRY-1250	JET, MAIN # 125	1
34	99103-KRY-0350	JET, SLOW # 35	1

F-1 : HEAD LIGHT

Group Number: F-1 Model :: Karizma (July, 2012)

Ref No.	Part Number	Description	Req.
1	3310B-AAP-H61	LIGHT ASSY HEAD(W/O BULB)	1
2	33108-KRY-900	SPRING, SPC(BULB HOLDER)	1
3	33110-AAP-H00	UNIT FR.COMB.	1
4	33119-KRY-901	CLIP CORD	1
5	33126-S05-003	COVER, RUBBER	1
6	33150-KRY-861	SOCKET COMP.,	1
7	34901-KSP-910	BULB, HEAD LIGHT	1
8	34908-GBG-840	BULB, WEDGE BASE T10	2
9	64310-198-D20A	PLATE, FRONT NUMBER	1
10	64315-KRY-900	STAY FR., NUMBER PLATE	1
11	90344-KEV-900	NUT C CLIP 6MM	2
12	93500-05010-1A	SCREW, PAN, 5X10	2
13	93500-06012-1A	SCREW, PAN, 6 X 12	2
14	93901-44220	SCREW, TAPPING,4X10	4
15	93903-25310	SCREW, TAPPING, 5 X 16	1
16	94101-05000	WASHER , PLAIN, 5MM	2
17	95701-06012-07	BOLT, FLANGE, 6X12	2

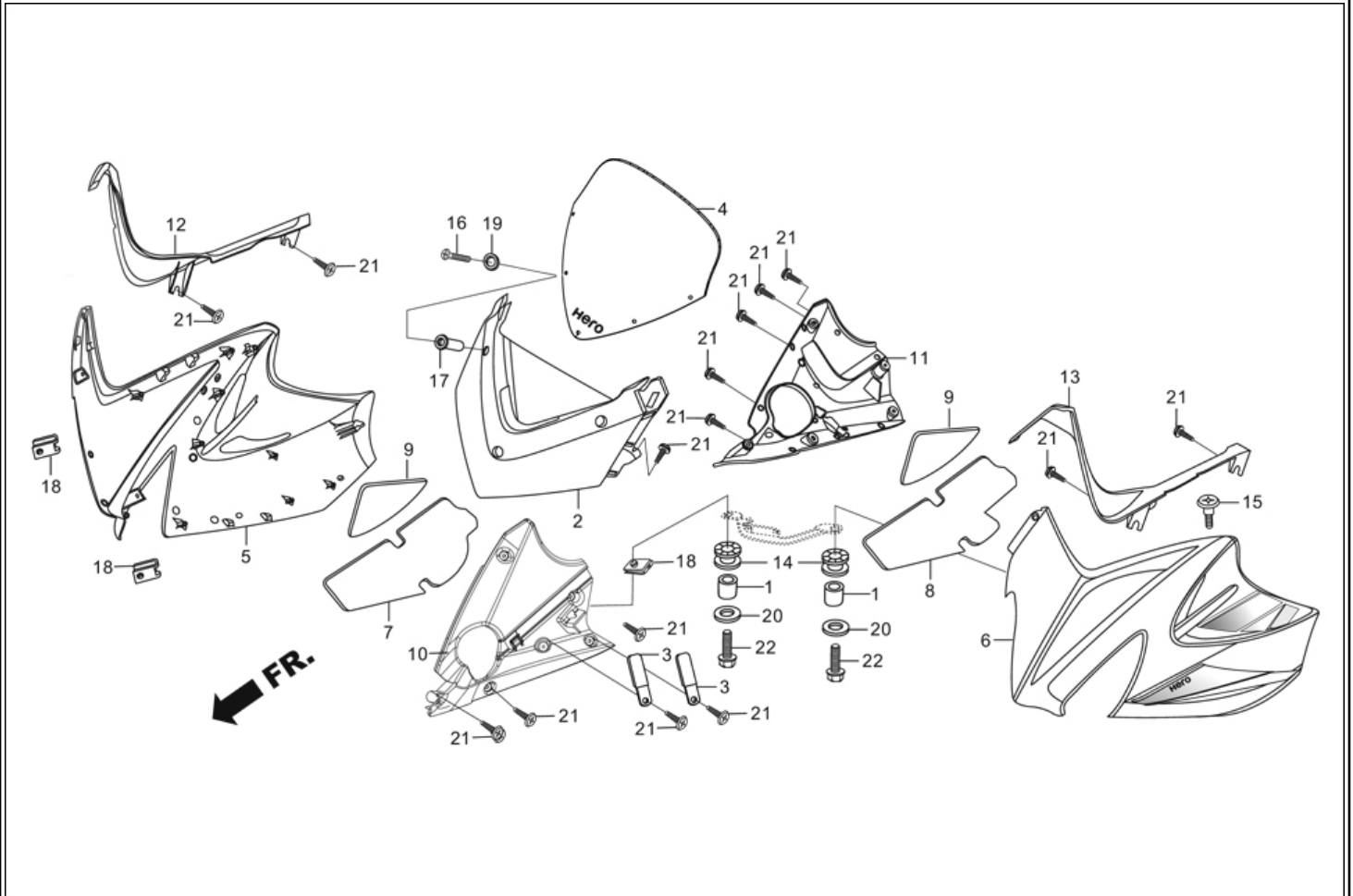
F-1A : FRONT COWL



Group Number: F-1A Model :: Karizma (July, 2012)

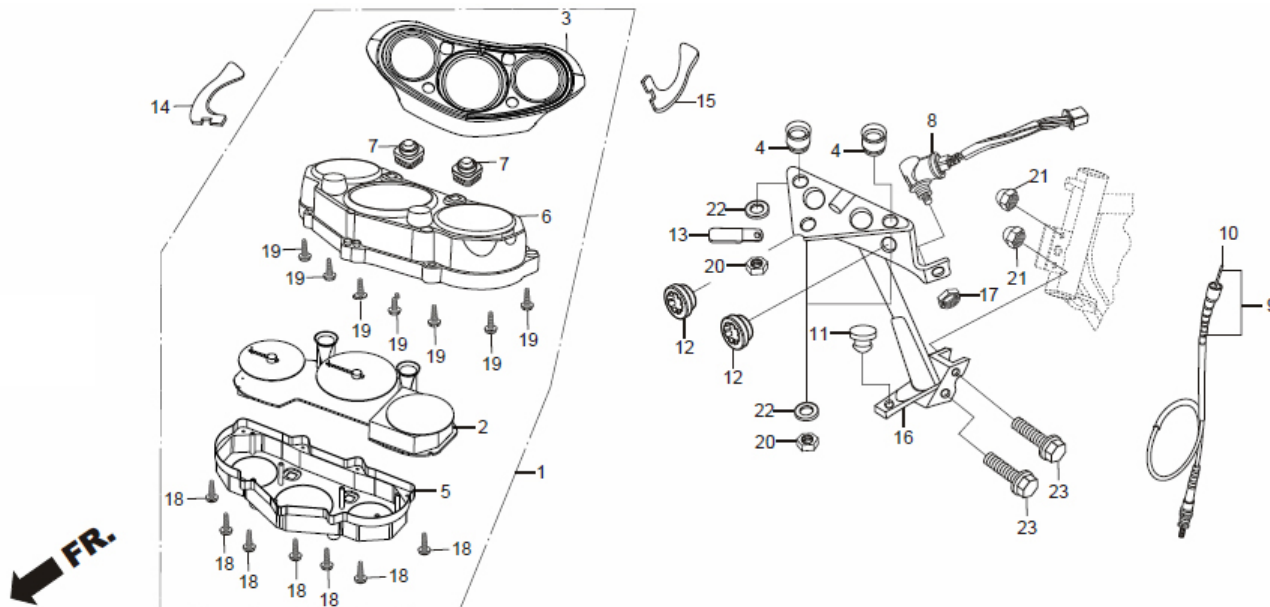
Ref No.	Part Number	Description	Req.
1	33603-053-650	COLLAR, RR. WINKER	2
2	61301-KRY-860ZC	COWL CENTER FRONT (PEARL FADELESS WHITE)	1
	61301-KRY-860ZE	COWL CENTER FRONT (EBONY GRAY ME)	1
	61301-KRY-900ZA	COWL, CENTER FR.(BLACK)	1
	61301-KRY-900ZE	COWL, CENTER FR.(MOON YELLOW)	1
	61301-KRY-960ZB	COWL CENTER FRONT (SPORTS RED)	1
3	61317-KCC-900	GUIDE `A	2
4	6410A-AAP-H60	SCREEN FR. SUB	1
5	64201-AAP-H60ZA	SET R FR. SIDE COWL(BLACK, NH-1)	1
	64201-AAP-H60ZB	SET R FR. SIDE COWL(SRD,R-321)	1
	64201-AAP-H60ZC	SET R FR. SIDE COWL(PFW,NH-341P)	1
	64201-AAP-H60ZD	SET R FR. SIDE COWL(MYE,Y-153)	1
	64201-AAP-H60ZE	SET R FR. SIDE COWL(EGM,NH-A63M)	1
6	64202-AAP-H60ZA	SET L FR. SIDE COWL(BLACK, NH-1)	1
	64202-AAP-H60ZB	SET L FR. SIDE COWL(SRD,R-321)	1
	64202-AAP-H60ZC	SET L FR. SIDE COWL(PFW,NH-341P)	1
	64202-AAP-H60ZD	SET L FR. SIDE COWL(MYE,Y-153)	1
	64202-AAP-H60ZE	SET L FR. SIDE COWL(EGM,NH-A63M)	1
7	64211-KRY-900	SILENCER, SEAT A RIGHT FR. COWL	1
8	64212-KRY-900	SILENCER, SEAT A LEFT FR. COWL	1
9	64213-KRY-900	SILENCER, SEAT B FR. COWL	2
10	64301-KRY-860	COWL, R INNER LWR.	1
11	64302-KRY-900	COWL, L INNER LWR.	1
12	64303-KRY-900	COWL, R INNER UPPER	1

F-1A : FRONT COWL



13	64304-KRY-900	COWL, L INNER UPPER	1
14	77209-KAG-900	RUBBER, SEAT STAY MOUNT	2
15	90101-GE0-000	SCREW, HINGE PATCH	2
16	90109-SB6-000	SCREW, TRUSS, 5X14	5
17	90111-KW3-000	NUT COWL SET M5X0.8	5
18	90344-KEV-900	NUT C CLIP 6MM	6
19	90504-964-000	WASHER, THRUST, 5MM	5
20	90563-355-000	WASHER, WHEEL, 6 MM	2
21	93903-25210	SCREW, TAPPING, 5X12	20
22	95701-06025-00	BOLT, FLANGE, 6X 25	2

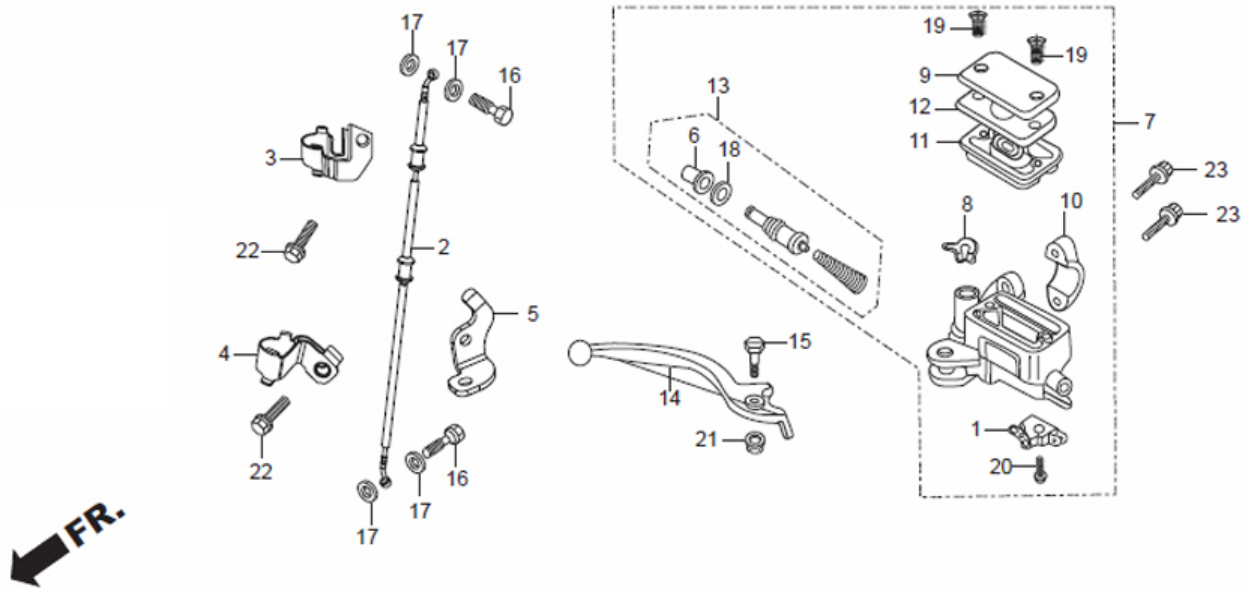
F-2 : SPEEDOMETER



Group Number: F-2 Model :: Karizma (July, 2012)

Ref No.	Part Number	Description	Req.
2	37110-KRY-861	SP.TA.LCD, METER ASSY.	1
3	37112-KRY-861	COVER, UPPER	1
4	37215-ML0-008	RUBBER, METER SET	3
5	37612-KRY-901	CASE, UNDER ASSY	1
6	37613-KRY-861	CASE, UPPER ASSY.	1
7	37613-KRY-900A	RUBBER,SWITCH	2
8	37700-KRY-900	SPEED, SENSOR ASSY.	1
9	44830-KRY-960	CABLE ASSY., SPEEDOMETER	1
10	44831-KRY-900	CABLE,COMP,INNER	1
11	50354-428-000	STOPPER,RUBBERB	1
12	61304-KRY-900	RUBBER,LIGHT CASE MOUNT	2
13	61317-KCC-900	GUIDE `A	1
14	64313-KRY-900	RUBBER,R METER SIDE	1
15	64314-KRY-900	RUBBER,L METER SIDE	1
16	64510-KRY-860	STAY, FRONT COWL UPPER	1
17	90235-KCZ-000	NUT,LOCK,18MM	1
18	93903-22420	SCREW,TAPPING,3 X 16	7
19	93903-24420	SCREW,TAPPING,4 X 16	7
20	94001-06000-0S	NUT, HEX., 6 MM	3
21	94021-08000-0S	NUT,HEX CAP 8 MM	2
22	94103-06000	WASHER PLAIN,6MM	3
23	95801-08040-00	BOLT,FLANGE,8 X 40	2
1	37100-KRY-861	METER ASSY., COMB.	1

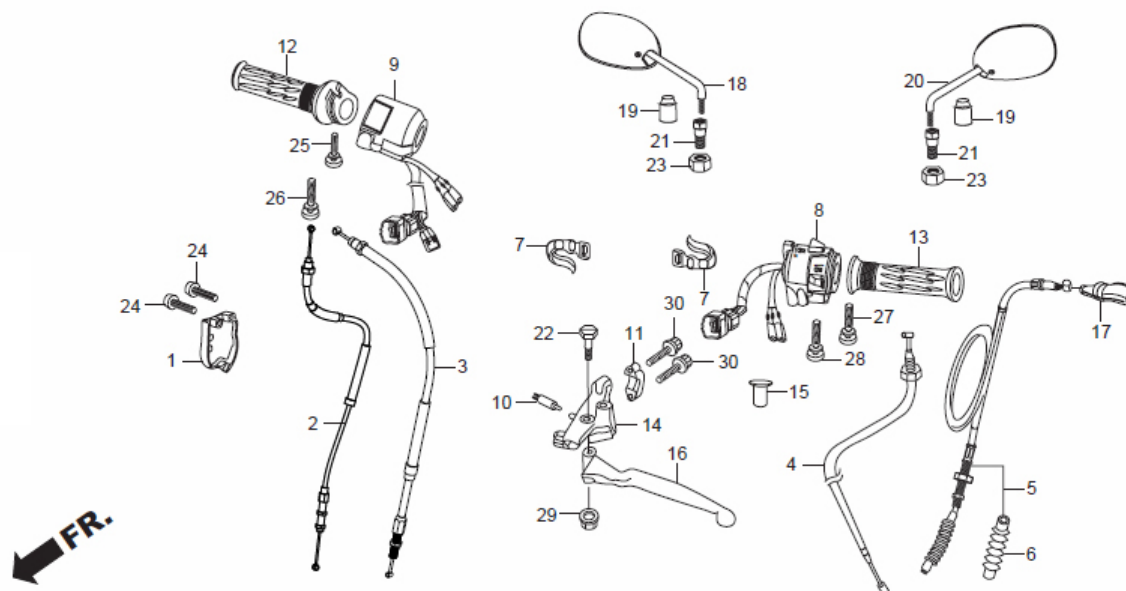
F-3 : FRONT BRAKE MASTER CYL



Group Number: F-3 Model :: Karizma (July, 2012)

Ref No.	Part Number	Description	Req.
1	35340-MA5-670L	SW. ASSY. FR. STOP	1
2	45126-KRY-860	HOSE COMP., FR. BRAKE	1
3	45155-KRY-860	CLAMPER, FR. BRAKE	1
4	45156-KRY-900	CLAMPER, BRAKE HOSE	1
5	45160-KRY-860	STAY, COMP., CLAMPER BRAKE HOSE	1
6	45504-410-003L	BOOT COMP.	1
7	45510-KRY-971	M/C SUB ASSY, FR BRK.	1
8	45512-MA6-006L	PROTECTOR	1
9	45513-HA2-006L	CAP M/C	1
10	45517-166-000	HOLDER, MASTER CYLINDER	1
11	45520-MG7-006L	DIAPHRAGM	1
12	45521-HA2-006L	PLATE DIAPHRAGM	1
13	45530-471-831L	CYLINDER SET MASTER	1
14	53175-KFN-850L	LEVER, RIGHT STRG. HANDLE	1
15	90114-166-000L	BOLT HANDLE LEVER	1
16	90145-MS9-610	OIL BOLT, 10 X 22	2
17	90545-300-000	WASHER ,OIL BOLT	4
18	90651-MA5-671L	CIRCLIP	1
19	93600-04012-1GL	SCREW FLAT 4X12	2
20	93893-04012-17L	SCREW WASHER 4X12	1
21	94050-06000	NUT, FLANGE, 6 MM	1
22	96001-06012-07	BOLT, FLANGE, SH., 6 X 12	1
23	96001-06022-07	BOLT, FLANGE, SH.6X22	1

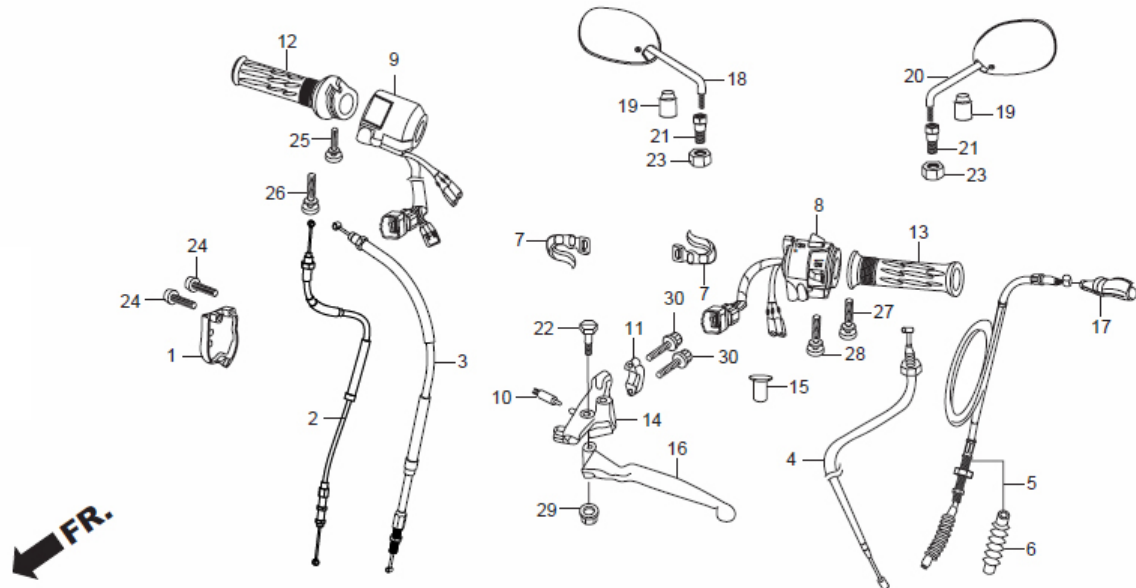
F-3A : HANDLE LEVER / SWITCH / CABLE



Group Number: F-3A Model :: Karizma (July, 2012)

Ref No.	Part Number	Description	Req.
1	16150-KFB-000	COVER, THROTTLE CABLE	1
2	17910-KRY-860	CABLE COMP., A THROT	1
3	17920-KRY-860	CABLE COMP., B THROT	1
4	17950-KRY-900	CABLE COMP.,CHOKE	1
5	22870-KRY-860	CABLE COMP., CLUTCH	1
6	22871-437-000	BOOT, CLUTCH WIRE	1
7	32161-404-000	BAND B-1,WIRE	2
8	35150-KRY-900	SW. ASSY.LI.ST.	1
9	35200-KRY-900	SW.ASSY.WINKER	1
10	35330-413-003	SW. COMP., FR. LEVER	1
11	45517-166-000	HOLDER, MASTER CYLINDER	1
12	53140-KRY-900	GRIP COMP.,THROTTLE	1
13	53166-KRY-900	GRIP L HANDLE	1
14	53172-KRC-900	BRACKET, HANDLE LEVER	1
15	53174-116-670	PLUG HANDLE LEVER	1
16	53178-KFN-850	LEVER COMP., L HANDLE	1
17	53182-KFN-850	BOOT, L HANDLE LEVER	1
18	88110-AAM-H51	MIRROR ASSY R BACK	1
19	88114-KFN-950	CAP, LOCK NUT	2
20	88120-AAM-H51	MIRROR ASSY L BACK	1
21	90003-MY5-720	BOLT,ADPT.10MM	2
22	90113-438-000	BOLT, HANDLE LEVER PIVOT	1
23	90201-MW3-620	NUT, HEX., 10MM	2
24	93500-04020-0G	SCREW, PAN ,4X20	2

F-3A : HANDLE LEVER / SWITCH / CABLE



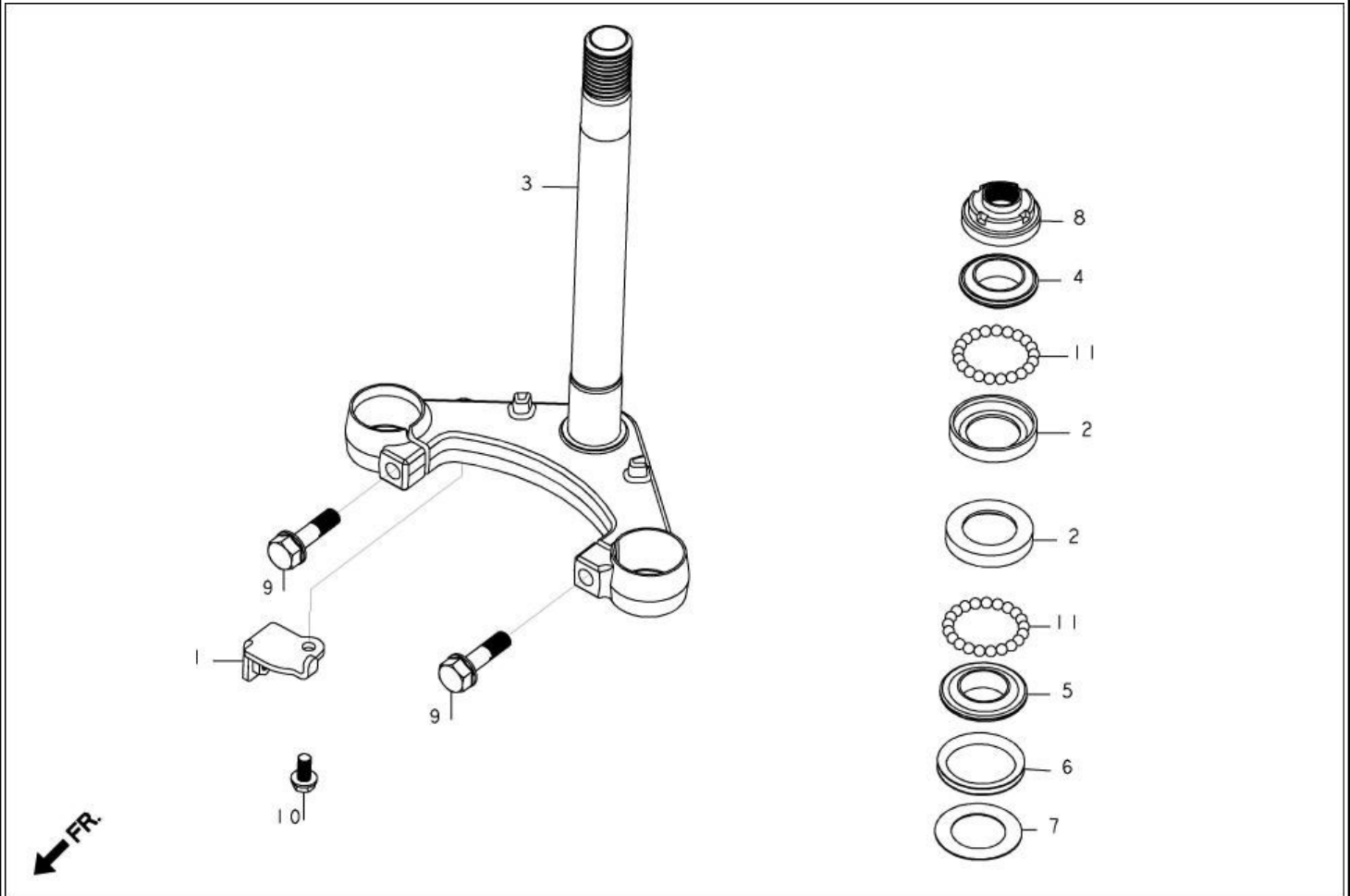
25	93892-05020-07	SCREW, WASHER, 5X20	1
26	93892-05025-07	SCREW, WASHER, 5X25	1
27	93892-05035-07	SCREW, WASHER, 5X35	1
28	93892-05045-07	SCREW, WASHER, 5X45	1
29	94050-06000	NUT, FLANGE, 6 MM	1
30	96001-06022-07	BOLT, FLANGE, SH.6X22	2

F-4 : HANDLE PIPE / TOP BRIDGE / KEY SET

Group Number: F-4 **Model ::** Karizma (July, 2012)

Ref No.	Part Number	Description	Req.
1	35010-AAP-H60	KEY SET	1
2	35100-AAP-H61	SWITCH ASSY. COMB. & LOCK	1
3	35105-KRY-900	COVER, COMB. SWITCH	1
4	35121-AAP-H61	BLANK KEY NO 1	1
5	35122-AAP-H61	BLANK KEY NO 2	1
6	53100-KFN-850	PIPE, STEERING HANDLE	1
7	53104-KFN-850	WEIGHT, A STRG. HANDLE	2
8	53105-KFN-850	WEIGHT, B STRG. HANDLE	2
9	53107-MB6-630	RUBBER, HANDLE WT. B	4
10	53108-KR3-770	SNAPRING, HANDLE WT.	2
11	53127-KRY-900	GUIDE, CABLE	1
12	5313A-AAP-H60	HOLDER HANDLE UP SUB	1
13	53132-KRY-900	HOLDER, HANDLE UNDER	2
14	53133-KRY-900	RUBBER, HANDLE CUSHION	4
15	53230-KRY-931	BRIDGE FORK, TOP	1
16	90304-159-000	NUT, STEERING STEM	1
17	90100-KRY-930	BOLT SOCKET 8X20	2
18	90309-KF0-000	NUT, FLANGE, 8 MM	2
19	90503-051-870	WASHER, STEERING STEM	1
20	90535-292-000	WASHER, HANDLE CUSHION	2
21	93700-06065-0G	SCREW, OVAL, 6 X 65	2
22	93903-25210	SCREW, TAPPING, 5X12	2
23	95701-06010-08	BOLT, FLANGE, 6X10	2
24	96600-08032-00	BOLT FLANGE, 8 X 32	4

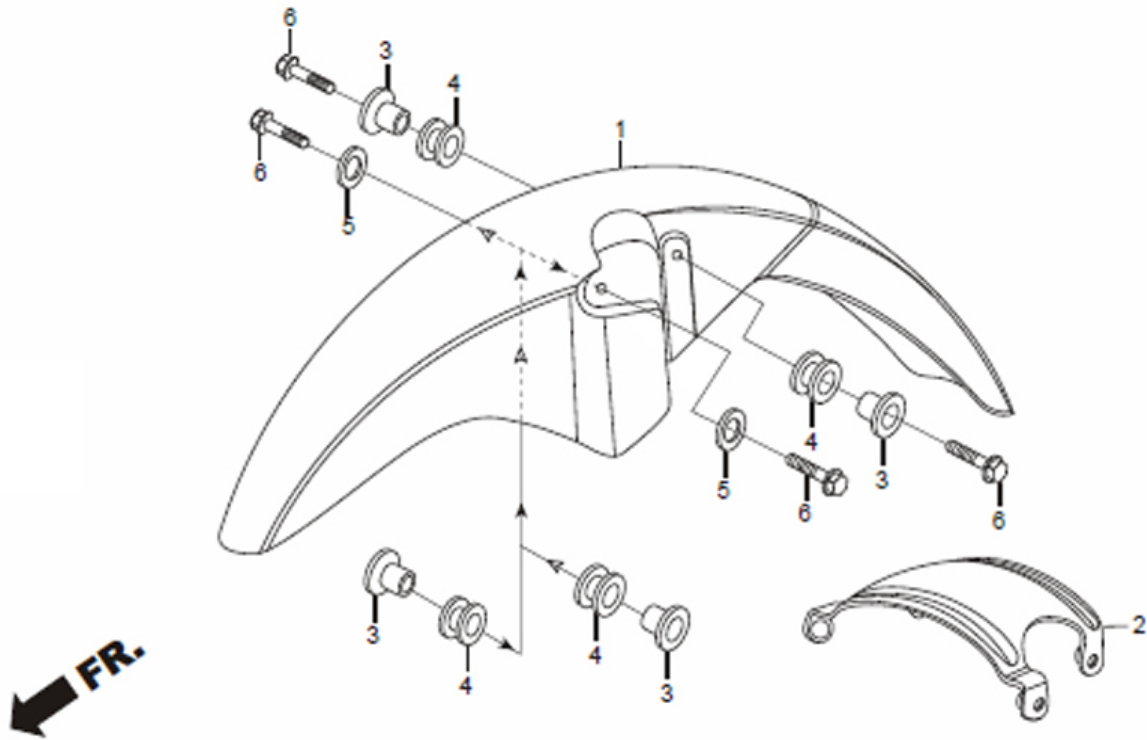
F-5 : STEERING STEM



Group Number: F-5 Model :: Karizma (July, 2012)

Ref No.	Part Number	Description	Req.
1	45160-KFN-850	STAY COMP., CLAMPER BRKT. HOSE	1
2	50301-041-010	RACE, STEERING BALL	2
3	53200-KRY-900	STEM COMP., STEERING	1
4	53211-028-010	RACE, STEERING TOP CONE	1
5	53212-030-010	RACE, STEERING BOTTOM CONE	1
6	53214-001-010	DUST SEAL, STEERING HEAD	1
7	53215-001-000	WASHER,STEERING HEAD DUST SEAL	1
8	53220-074-000	THREAD, STEERING HEAD TOP	1
9	95801-08030-07	BOLT, FLANGE, 8X30	2
10	96001-06012-07	BOLT, FLANGE, SH., 6 X 12	1
11	96211-06000	BALL, STEEL, 6 MM	42
8A	95701-08030-07	BOLT, FLANGE 8X30	1

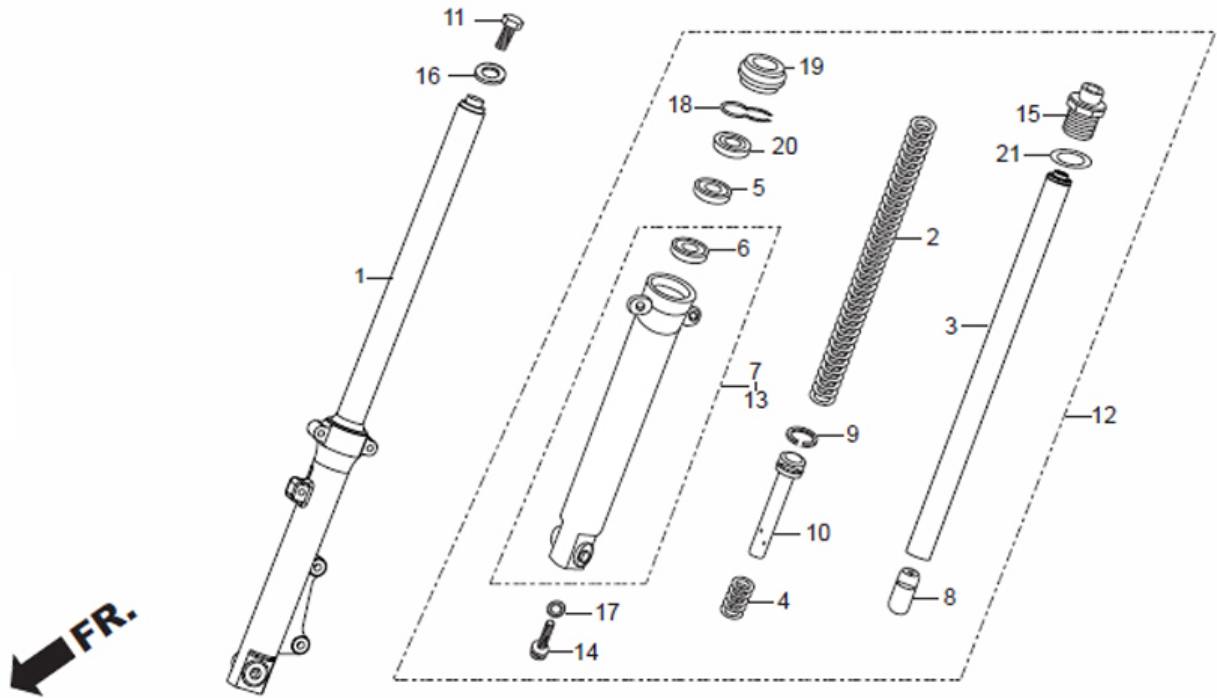
F-6 : FRONT FENDER



Group Number: F-6 Model :: Karizma (July, 2012)

Ref No.	Part Number	Description	Req.
1	61100-KRY-860ZC	FENDER FRONT(PFW, NH-341P	1
	61100-KRY-860ZE	FENDER FRONT (EBONY GREY ME.)	1
	61100-KRY-900ZAH	FENDER FRONT (BLK)	1
	61100-KRY-900ZEH	FENDER FRONT (MYE)	1
	61100-KRY-960ZB	FENDER FR.(SPORTS RED)	1
2	61102-KRY-900	STAY, FR.FENDER	1
3	61103-KRY-900	COLLAR, A FR.FENDER	4
4	61105-KRY-900	RUBBER, FR.FENDER MTG.	4
5	90450-ZA0-000	WASHER, PLAIN, 6 X 1.2	2
6	95801-06032-00	BOLT, FLANGE, 6 X 32	4
4A	61105-KTC-900	RUBBER, FRONT FENDER MOUNTING	1

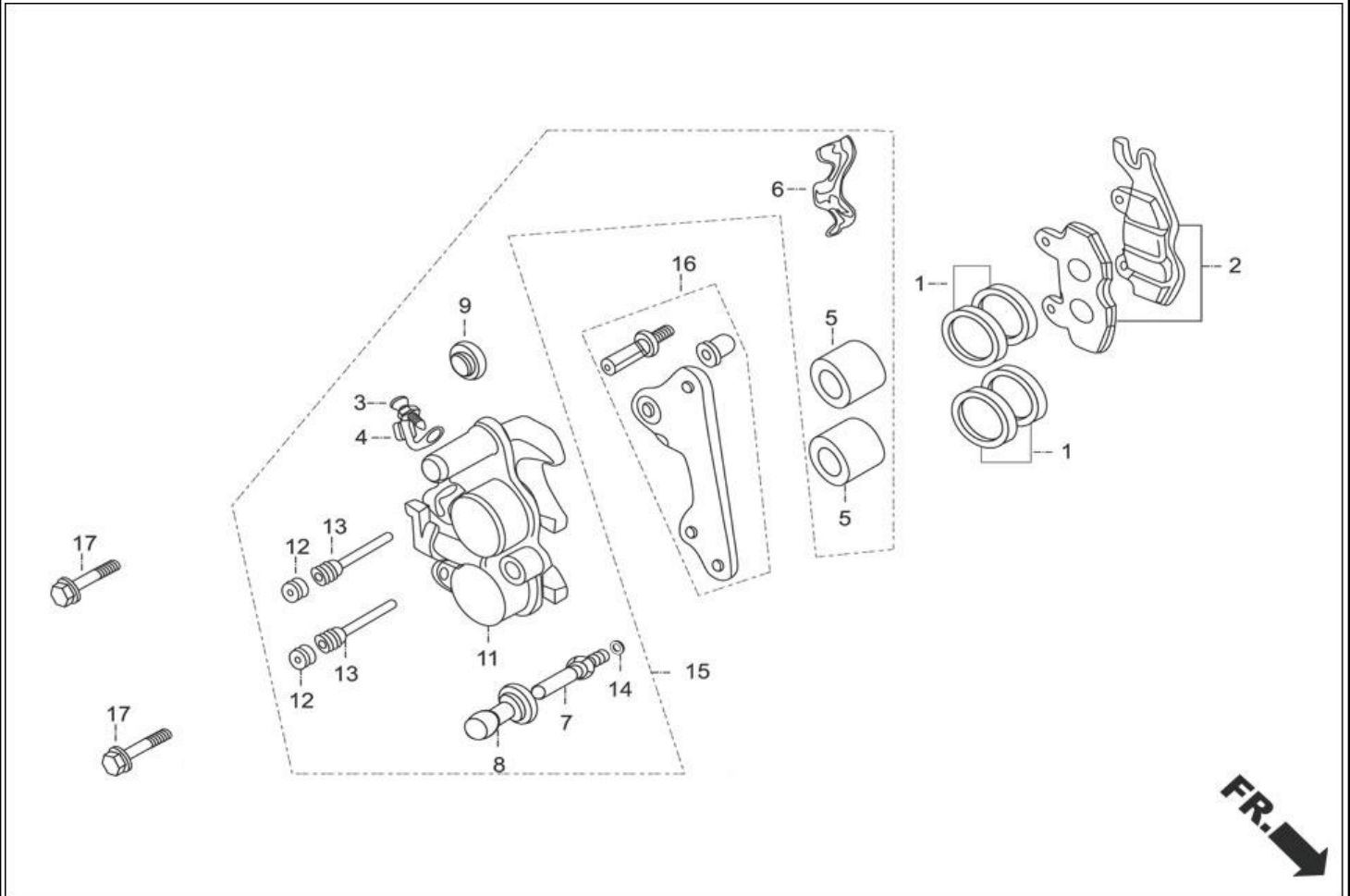
F-7 : FRONT FORK



Group Number: F-7 Model :: Karizma (July, 2012)

Ref No.	Part Number	Description	Req.
1	51400-KRY-861	FORK ASSY., RFRONT	1
2	51401-KRY-901	SPRING,FRONT FORK	2
3	51410-KRY-861	PIPE COMP., FRONT FORK	2
12	51500-KRY-861	FORK ASSY., LFRONT	1
13	51520-KRY-861	CASE COMP., LFRONT BOTTOM	1
4	51412-369-000	SPRING, REBOUND	2
5	51412-KFN-851	SPRING, BACK UP	2
6	51414-KK4-003	BUSH, GUIDE	2
7	51420-KRY-971	CASE COMP. R FR. BOTTOM	1
8	51432-KFN-851	PIECE, OIL LOCK	2
9	51437-KVN-901	RING, PISTON	2
10	51440-KFN-851	PIPE, SEAT	2
11	90123-KRM-860	BOLT, FR. FORK	2
14	90116-KAG-900	BOLT, SOCKET, 8 MM	2
15	90123-KAG-900	BOLT, A FR. FORK	2
16	90521-292-000	WASHER, PLAIN, 10.3 MM	2
17	90544-KFN-851	WASHER, SPECIAL, 8MM	2
18	90601-KFN-851	RING, OIL SEAL STOP	2
19	91254-GAA-003R	SEAL, DUST	2
20	91255-KRM-852	SEAL OIL 31X43X10.3	2
21	91255-KRM-852	SEAL OIL 31X43X10.3	2

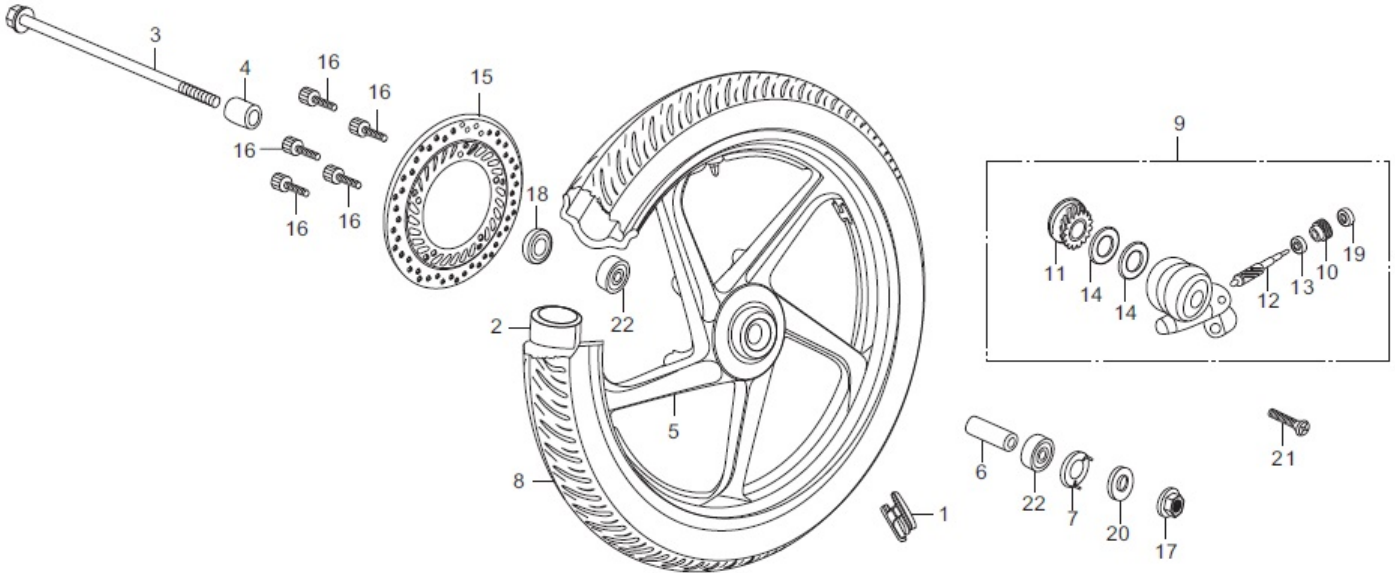
F-8 : CALIPIER ASSY. `R' FRONT



Group Number: F-8 Model :: Karizma (July, 2012)

Ref No.	Part Number	Description	Req.
1	06451-GE2-405L	SEAL SET PISTON	2
2	06455-GCR-016L	PAD SET FRONT	1
3	43352-568-003L	SCREW BLEEDER	1
4	43353-461-771L	CAP BLEEDER	1
5	45107-MN5-006L	PISTON	2
6	45108-ML4-006L	PAD SPRING	1
6A	45109-GE2-006L	DUST SEAL	1
7	45131-GE2-006L	PIN BOLT A	1
8	45132-166-016L	BUSH BOOT PIN	1
9	45133-MA3-006L	BOOT B	1
11	45201-GT4-691L	BODY CALIPER FR.	1
12	45203-MG3-016L	PLUG PIN	2
12A	45209-GE2-006L	SEAL PISTON	1
12B	45210-KR3-871L	BRACKET RIGHT	1
13	45215-KA3-732L	PIN HANGER	2
14	45216-166-006	WASHER, WAVE	1
14A	45216-KW6-901L	TORQUE NUT	1
15	45250-KRY-901	CALIPER SUB ASSY., R FR	1
16	45290-KGB-611L	BRKT.SUB ASSY.R FR.CALIPER	1
17	90155-KY4-900	BOLT, FLANGE, 8 X 25	2

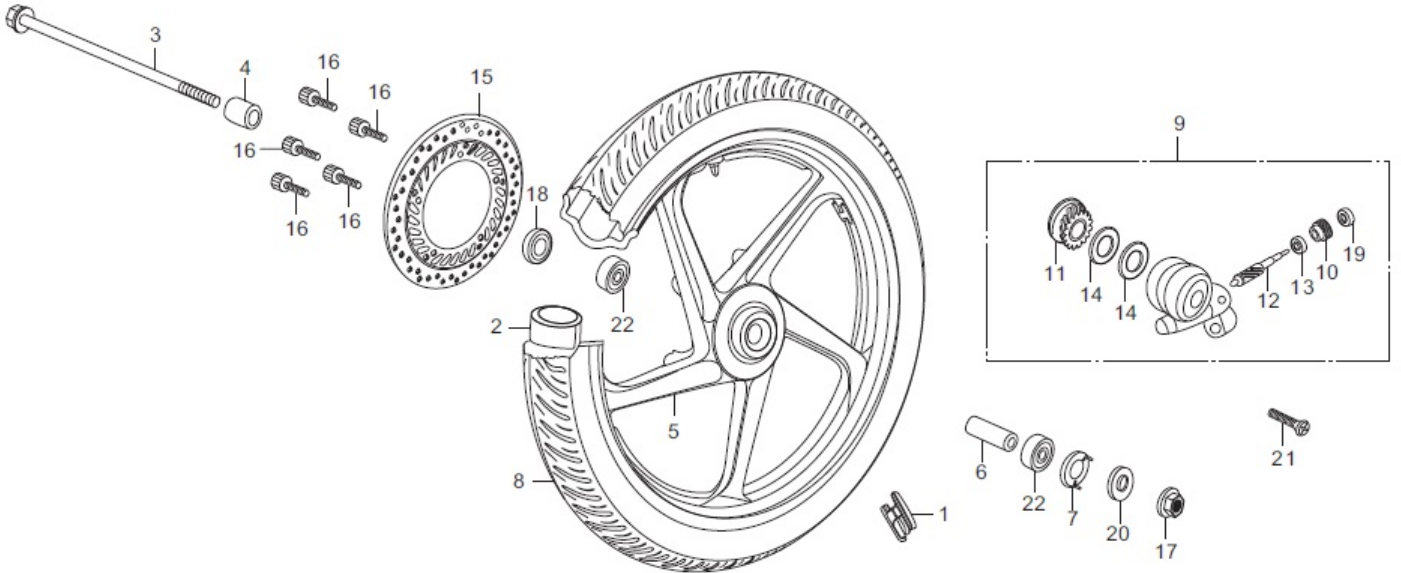
F-9 : FRONT WHEEL



Group Number: F-9 Model :: Karizma (July, 2012)

Ref No.	Part Number	Description	Req.
1	42704-MCF-D60	WEIGHT, BALANCE 10	1
	42705-MER-D00	WEIGHT, BALANCE 20	1
	42706-MCF-D60	WEIGHT, BALANCE 30	1
2	42712-KCS-920	TUBE, TYRE (2.75 X 18)	1
3	44301-KPL-900	AXLE, FRONT WHEEL	1
4	44311-KRY-900	COLLAR, FR.WHEEL SIDE	1
5	44601-AAP-H00	WHEEL COMP FR	1
6	44620-400-000	COLLAR, FRONT DISTANCE	1
7	44680-410-000	RETAINER, GEAR BOX	1
8	44711-KFN-850	TYRE, FRONT	1
9	44800-KRC-910	GEAR BOX ASSY., SPDMT.	1
10	44803-150-000	BUSH, PINION	1
11	44804-KFN-850	GEAR, SPEEDOMETER	1
12	44805-150-010	PINION, SPEEDOMETER	1
13	44807-001-000	WASHER, GEAR BOX PINION	1
14	44809-170-000	WASHER, SPEEDOMETER GEAR	2
15	45251-KRY-971	DISK, FR BRAKE	1
16	90105-KL8-741	BOLT, FR.DISK, 8 X 24	5
17	90306-KF0-000	NUT, FLANGE, 12 MM	1
17A	90306-KST-942	NUT, CASTLE, 12 MM	1
17B	90306-KTE-911	NUT, CASTLE, 12 MM	1
18	91251-KPH-901	DUST SEAL, 21 X 37 X 7	1
19	91256-096-650	OIL SEAL, .4.8X14.5X4	1
20	91258-KEJ-900	DUST SEAL, 40 X 50 X 5	1

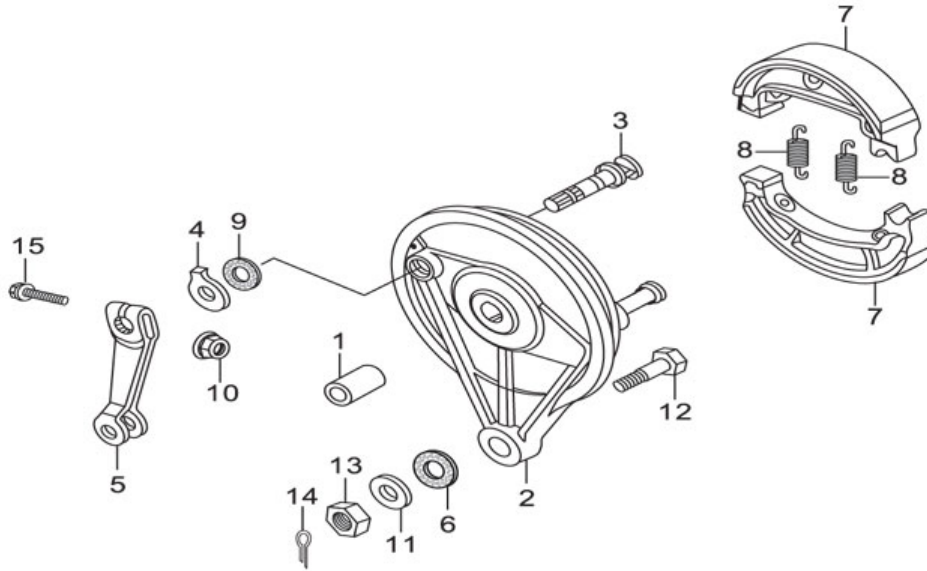
F-9 : FRONT WHEEL



FR.

21	93700-05020-0A	SCREW, OVAL, 5 X 20	1
22	96150-63010-10	BEARING, BALL RADIAL, 6301 (UU)	2

F-10 : REAR BRAKE PANEL

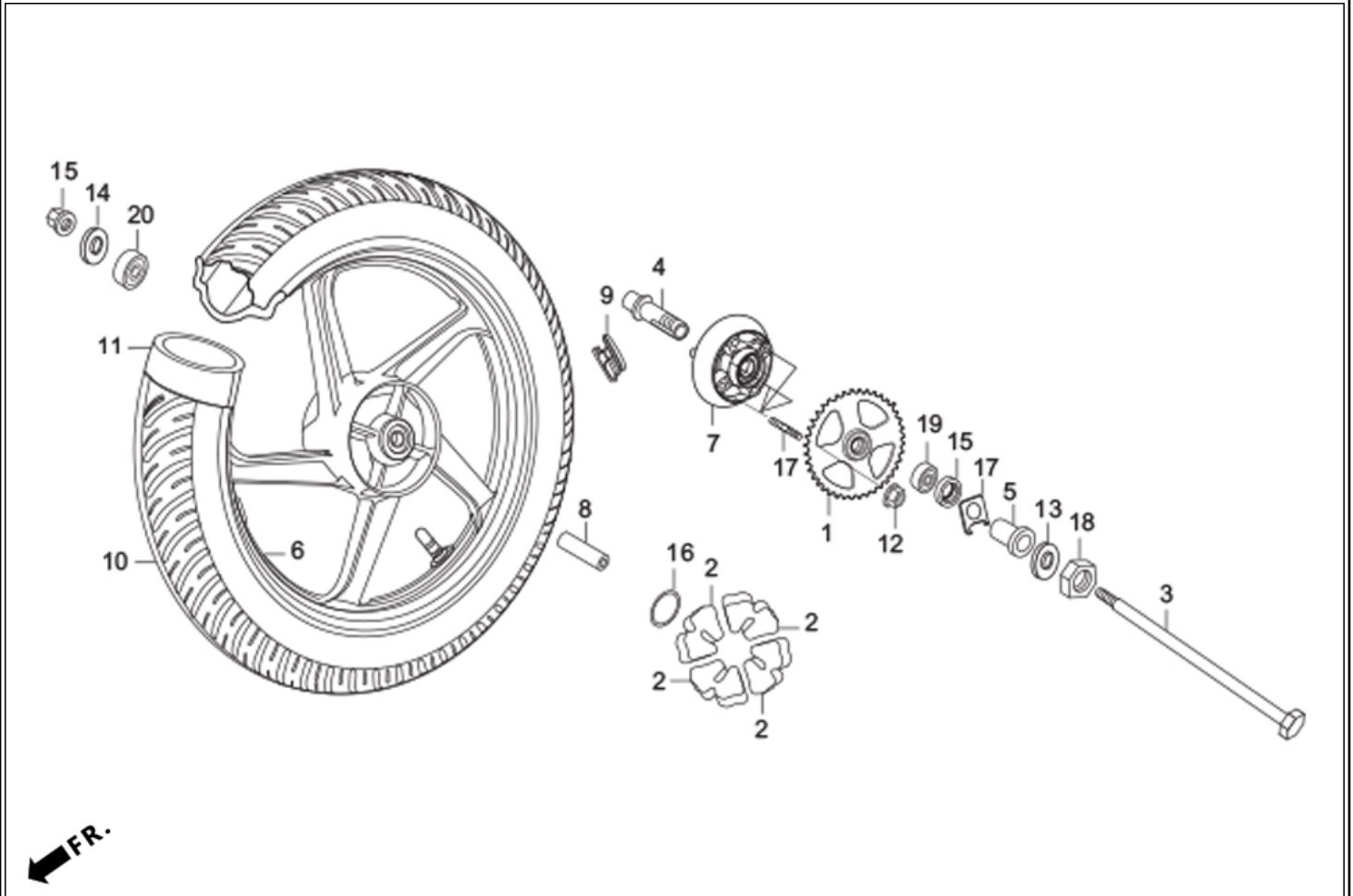


FR. ←

Group Number: F-10 Model :: Karizma (July, 2012)

Ref No.	Part Number	Description	Req.
1	42313-KRY-930	COLLAR, RR. PANEL SIDE	1
2	43100-KRY-930	PANEL COMP., RR. BRAKE	1
7	45125-AAH-F0099	SHOE COMP BRAKE	2
3	43141-KTC-900	CAM, REAR BRAKE	1
4	43145-149-000	INDICATOR, RR. BRAKE	1
5	43410-KRY-930	ARM, REAR BRAKE	1
6	43434-ME1-670	RUBBER, STOPPER ARM	1
8	45133-KCC-900	SPRING, FR. BRAKE SHOE	2
9	45134-250-000	DUST SEAL, BRAKE CAM	1
10	90301-473-000	NUT,U 6MM	1
11	90505-425-000	WASHER, 8 MM	1
12	92811-10000	BOLT A BRAKE STOPPER	1
13	94001-08000-0S	NUT, HEX., 8 MM	1
14	94201-20150	PIN, SPLIT, 2.0 X 15	1
15	95701-06035-00	BOLT, FLANGE, 6X35	1
7	45125-AAH-F0099	SHOE COMP BRAKE	2
13A	94002-08000-0S	NUT HEX.8 MM	1

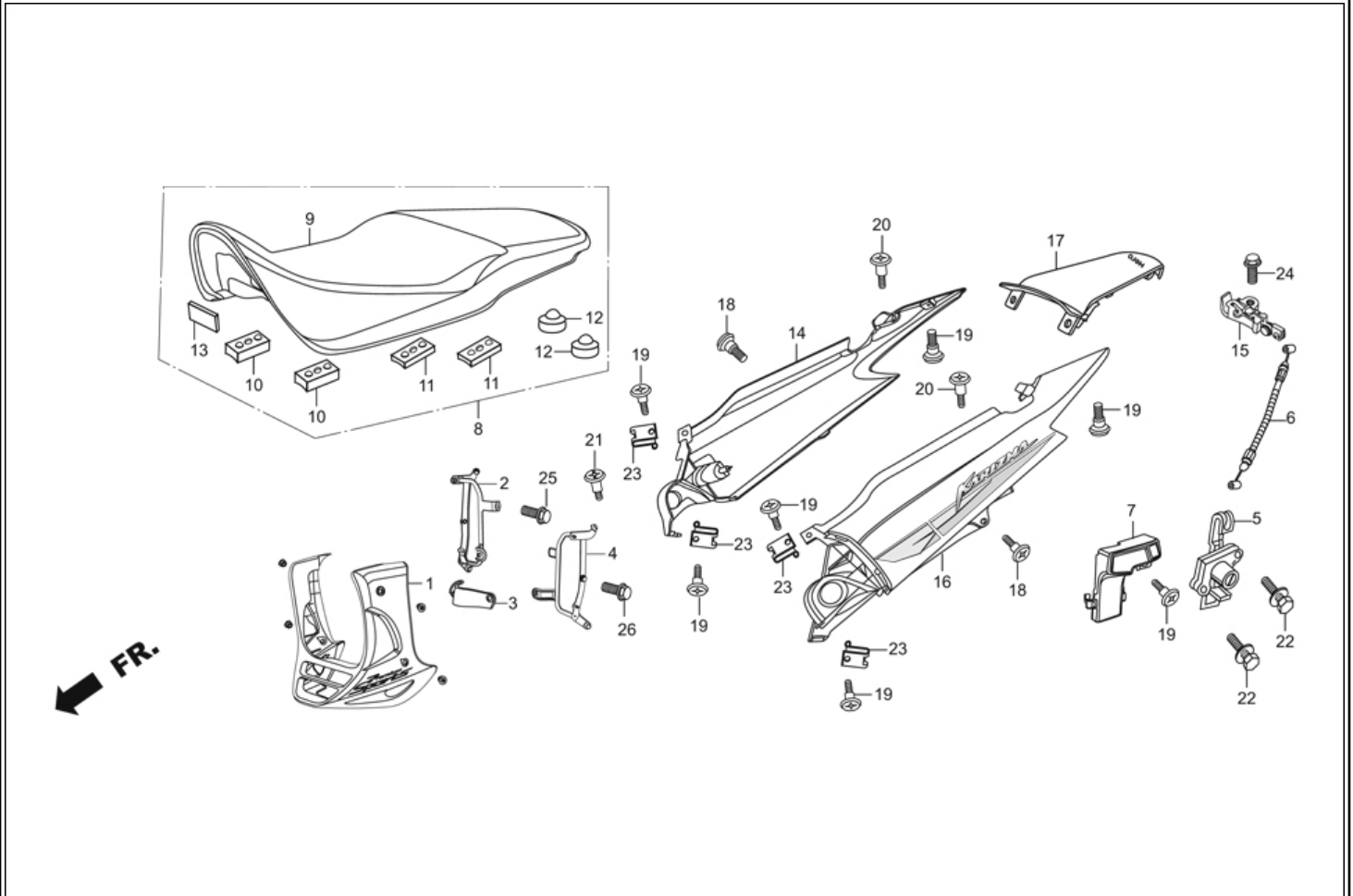
F-11 : REAR WHEEL



Group Number: F-11 Model :: Karizma (July, 2012)

Ref No.	Part Number	Description	Req.
1	41201-KRY-900	SPROCKET, FINAL DRIVEN (40 T)	1
2	41241-KSP-900	DAMPER, RR WHEEL	1
3	42301-KRY-900	AXLE, REAR WHEEL	1
4	42303-KRY-931	SLEEVE, REAR WHEEL	1
5	42311-KRY-930	COLLAR, RR WHEEL SIDE	1
6	42601-AAP-H31	WHEEL COMP RR	1
7	42611-KRY-930	FLANGE, FINAL DRIVEN(NH-35M)	1
8	42620-KSP-900	COLLAR, REAR AXLE DISTANCE	1
9	42704-MER-D00	WEIGHT, BALANCE 10	1
	42705-MER-D00	WEIGHT, BALANCE 20	1
	42706-MCF-D60	WEIGHT, BALANCE 30	1
10	42711-KFN-850R	TYRE REAR, 100/90-18, 56P	1
11	42712-KFN-850	TUBE, TYRE	1
12	90304-KCS-920	NUT U 10 MM	4
13	90504-KFN-850	WASHER, PLAIN, 22 MM	1
14	90504-KR3-000	WASHER, REAR AXLE	1
15	91253-KSP-901	DUST SEAL, 30 X 47 X 8	1
16	91352-KSP-900	O RING, 51 X 2	1
17	92915-10025-0E	BOLT, STUD II, 10X25	4
18	95020-15100	NUT E STEM	1
19	96150-60050-10	BEARING, BALL RADIAL, 6005	1
20	96150-63020-10	BEARING BALL RADIAL, 6302(UU)	1

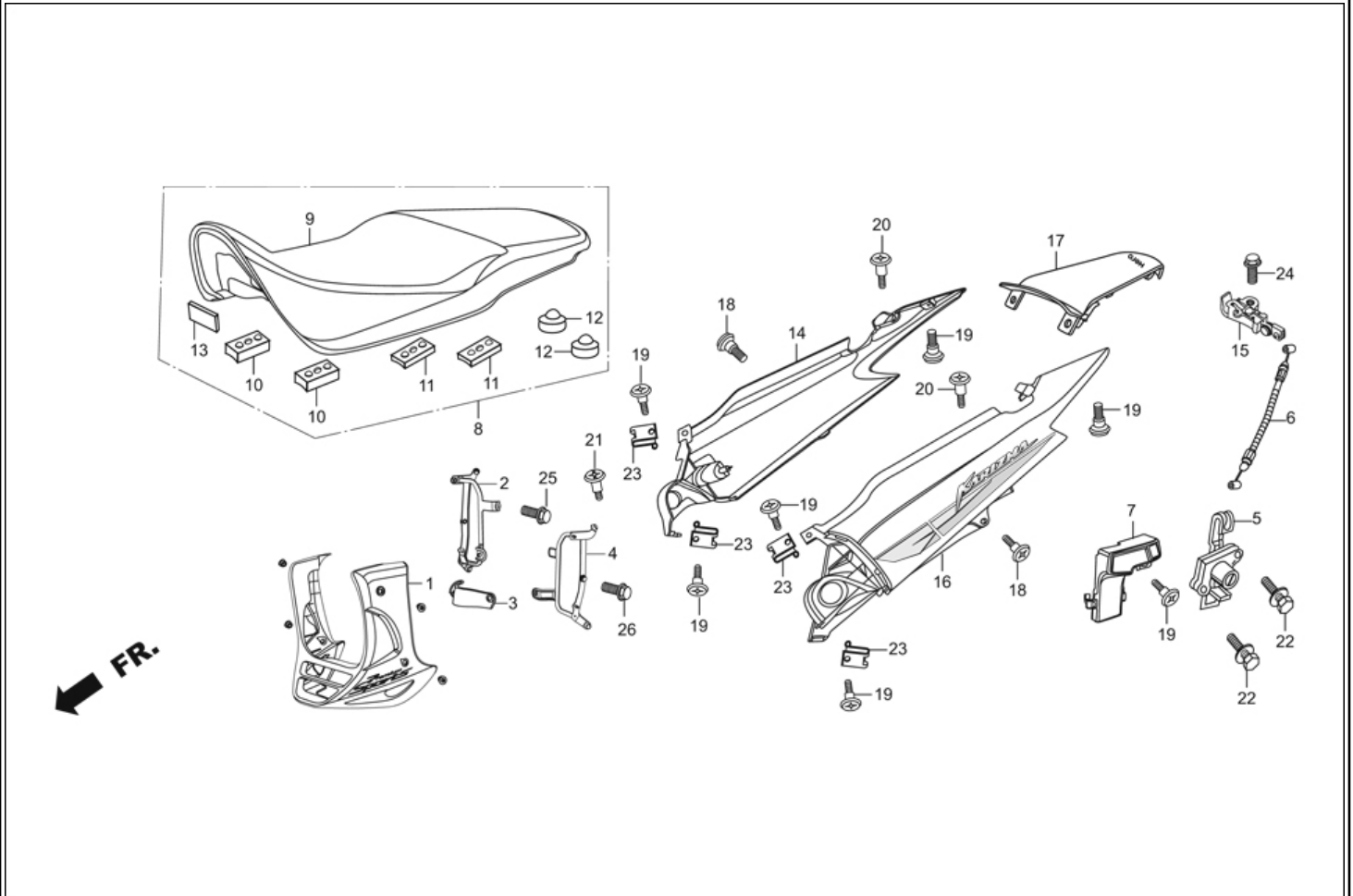
F-12 : SEAT ASSY. / COWL REAR



Group Number: F-12 Model :: Karizma (July, 2012)

Ref No.	Part Number	Description	Req.
1	64300-KRY-960	SEAT, COWL UNDER	1
2	64311-KRY-960	STAY COMP. R UNDER COWL	1
3	64317-KRY-960	HEAT GUARD, UNDER COWL	1
4	64411-KRY-960	STAY COMP. L UNDER COWL	1
5	7711A-ML7-920	LOCK ASSY.,SEAT (WITH KEY)	1
6	77156-KRY-900	CABLE,SEAT LOCK	1
7	77160-KRY-900	COVER , SEAT LOCK CABLE	1
8	77200-KRY-860	SEAT COMP., DOUBLE	1
9	7720A-KRY-860	COVER, SEAT COMP., DOUBLE	1
10	77204-KCC-900	RUBBER, `A SEAT SETTING	2
11	77205-286-000	RUBBER `B SEAT SETTING	2
12	77206-KFN-850	RUBBER SEAT CUSHION	2
13	77211-KCC-900	CUSHION, SEAT	1
14	77215-KRY-860ZA	SET, R RR COWL (BLACK-1)	1
	77215-KRY-860ZB	SET, R RR COWL (SPORTS RED)	1
	77215-KRY-860ZC	SET, R REAR COWL(PFW, NH-341P)	1
	77215-KRY-860ZD	SET, R RR COWL (MOON YELLOW)	1
	77215-KRY-860ZE	SET, R RR COWL (EBONY GREY ME)	1
15	77220-KY6-000	HOOK, SEAT CATCH	1
16	77225-KRY-860ZA	SET, L RR COWL (BLACK-1)	1
	77225-KRY-860ZB	SET, L RR COWL (SPORTS RED)	1
	77225-KRY-860ZC	SET, L RR COWL (PEARL FADELESS WHITE)	1
	77225-KRY-860ZD	SET, L RR COWL (MOON YELLOW)	1
	77225-KRY-860ZE	SET, L RR COWL (EBONY GREY ME)	1

F-12 : SEAT ASSY. / COWL REAR



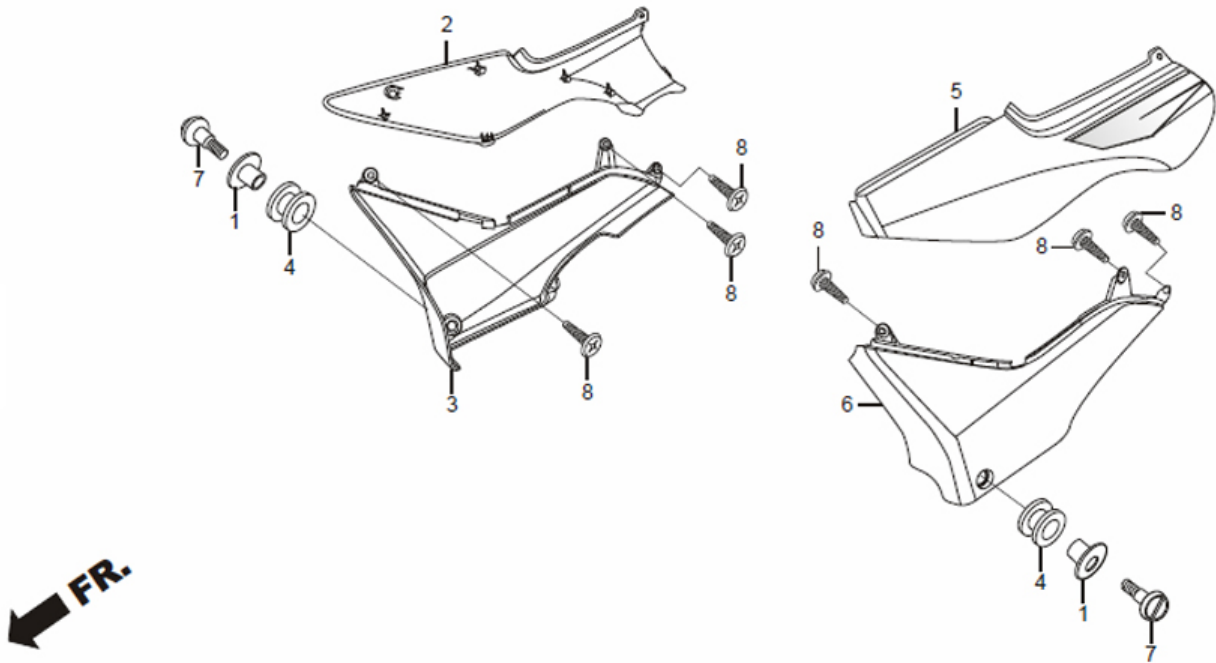
17	77280-AAP-H60ZA	SET CENTER REAR COWL(BLACK, NH-1)	1
	77280-AAP-H60ZB	SET CENTER REAR COWL(SRD,R-321)	1
	77280-AAP-H60ZC	SET CENTER REAR COWL(PFW,NH-341P)	1
	77280-AAP-H60ZD	SET CENTER REAR COWL(MYE,Y-153)	1
	77280-AAP-H60ZE	SET CENTER REAR COWL(EGM, NH-A63M)	1
18	90101-087-720	SCREW, HEAD LIGHT SET	2
19	90101-GE0-000	SCREW, HINGE PATCH	7
20	90102-GB2-720	SCREW, PAN, 5X16	2
21	90105-KRY-860	BOLT SPECIAL 6X22	1
22	90107-GZ4-670	BOLT, BREAK OFF	2
23	90320-GC3-000	NUT, SPRING, M5	4
24	95701-06012-00	BOLT, FLANGE, 6X12	1
25	95701-08012-07	BOLT FLANGE 8X12	1
26	95701-08025-07	BOLT FLANGE 8X25	1

F-13 : FUEL TANK

Group Number: F-13 Model :: Karizma (July, 2012)

Ref No.	Part Number	Description	Req.
1	16173-001-000	O- RING	1
2	16950-KRY-900	COCK ASSY., FUEL	1
3	16952-KRY-900	SCREEN SET , FUEL STRANER	1
4	16953-GT4-305	CUP SET, FUEL STRAINER	1
5	16958-MA1-731	O-RING	1
6	16959-471-831	FILTER, CUP	1
7	17199-KRY-970	TUBE DRAIN	1
8	17506-KRY-900	FILM, PROTECTOR FUEL TANK	1
9	17520-KRY-860ZA	SET, FUEL TANK (BLACK-1)	1
	17520-KRY-860ZB	SET, FUEL TANK (SPORTS RED)	1
	17520-KRY-860ZC	SET, FUEL TANK (PEARL FADELESS WHITE)	1
	17520-KRY-860ZD	SET, FUEL TANK (MOON YELLOW)	1
	17520-KRY-860ZE	SET, FUEL TANK (EBONY GREY ME)	1
10	17611-KFN-850	CUSHION, FR. FUEL TANK	2
11	17613-MV4-000	CUSHION, RR. FUEL TANK	1
12	17620-KRY-971	"CAP COMP,FUEL FILLER"	1
13	17681-KRY-900	TUBE, FUEL	1
14	37800-KRY-961	UNIT ASSY., FUEL	1
15	80101-KFN-850	COLLAR, 8X12	1
16	83551-300-000	GROMMET, AIR CLEANER CASE	8
17	90534-MV4-000	WASHER ,8.5X28	1
18	91305-MC7-000	O-RING, 39.5 X 5	1
19	94050-06000	NUT, FLANGE, 6 MM	4
20	95002-02100	CLIP, B-10 TUBE	2
21	95701-08025-08	BOLT, FLANGE, 8X25	1

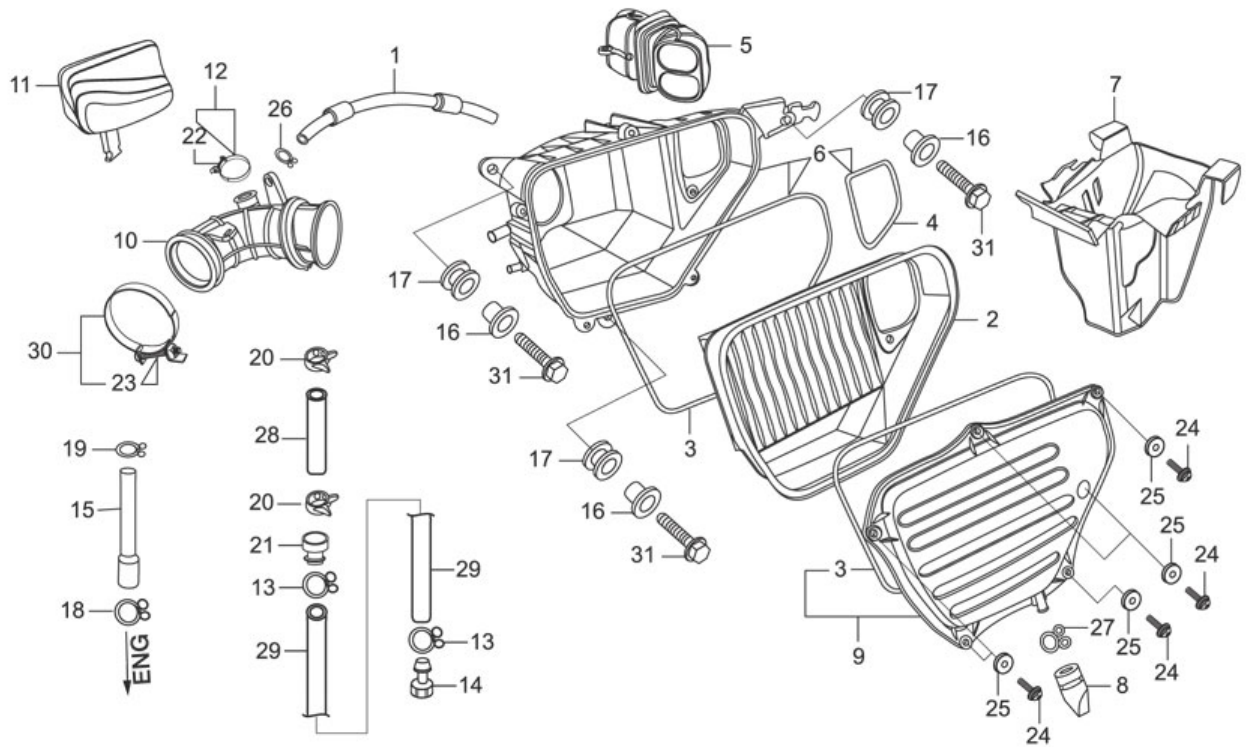
F-14 : SIDE COVER



Group Number: F-14 Model :: Karizma (July, 2012)

Ref No.	Part Number	Description	Req.
1	19052-KV0-000	COLLAR, RADIATOR MTG	2
2	83500-KRY-860ZA	SET, R. A SIDE COVER (BLACK-1)	1
	83500-KRY-860ZB	SET, R A SIDE COVER(SPORTS RED, R-321)	1
	83500-KRY-860ZC	SET, R A SIDE COVER(PFW, NH-341P)	1
	83500-KRY-860ZD	SET,R A SIDE COVER(MYE,Y-153	1
	83500-KRY-860ZE	SET, R A SIDE COVER(EGM, NH-A63M)	1
3	83542-KRY-970	COVER, B RIGHT SIDE	1
4	83545-KCJ-690	RUBBER, SIDE COVER	2
5	83600-KRY-860ZA	SET, L. A SIDE COVER (BLACK-1)	1
	83600-KRY-860ZB	SET, L A SIDE COVER (SPORTS RED)	1
	83600-KRY-860ZC	SET, L A SIDE COVER (PEARL FADELESS WHITE)	1
	83600-KRY-860ZD	SET, L A SIDE COVER (MOON YELLOW)	1
	83600-KRY-860ZE	SET, L A SIDE COVER (EBONY GREY ME)	1
6	83642-KRY-970	COVER, B LEFT SIDE	1
7	90105-KVN-900	BOLT, SPECIAL 6 X 22	2
8	93903-25210	SCREW, TAPPING, 5X12	6

F-15 : AIR CLEANER

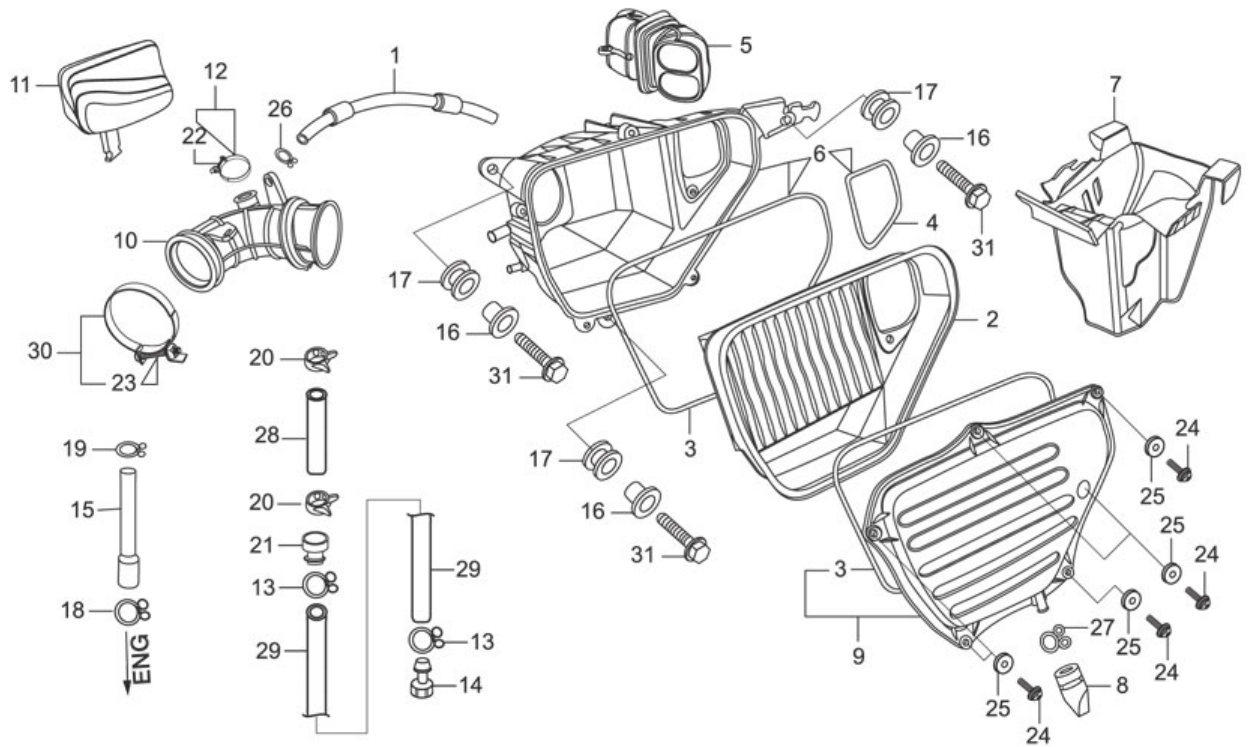


FR.

Group Number: F-15 Model :: Karizma (July, 2012)

Ref No.	Part Number	Description	Req.
1	16199-KRY-900	TUBE, AIR VENT	1
2	17211-AAP-000	ELEMENT COMP, AIR/C	1
3	17213-KRY-900	SEALA AIR CLEANER	2
4	17214-KRY-900	SEAL B AIR CLEANER	1
5	17219-KRY-900	DUCT,AIR CLEANER	1
6	17225-KRY-900	CASE SUB ASSY.,AIR CLEANER	1
7	17234-KRY-970	COVER, AIR/C DUCT	1
8	17234-KS4-770	TUBE,AIR CLEANER DRAIN	1
9	17220-KRY-970H	COVER, AIR/C CASE	1
10	17253-KRY-900	TUBE,AIR CLEANER CONN.	1
11	17311-KRY-900	RESONATOR	1
12	17312-KFN-880	BAND, RESONATOR	1
13	17316-611-000	CLIP, BREATHER TUBE	2
14	17370-382-870	PLUG, BREATHER TUBE	1
15	17371-KRY-900	TUBE, MISSION BREATHER	1
16	19052-KV0-000	COLLAR, RADIATOR MTG	3
17	83545-KCJ-690	RUBBER, SIDE COVER	3
18	90601-KAF-003	CLIP, SW. COVER	1
19	90651-MK3-780	CLIP, B 12.5 TUBE	1
20	91406-KFN-850	CLAMP, D14.5 TUBE	2
21	91463-393-780	JOINT, TUBE	1
22	93500-04025-0G	SCREW, PAN, 4X25	1
23	93500-04032-0G	SCREW, PAN, 4 X 32	1
24	93500-05016-1H	SCREW, PAN, 5 X 16	6

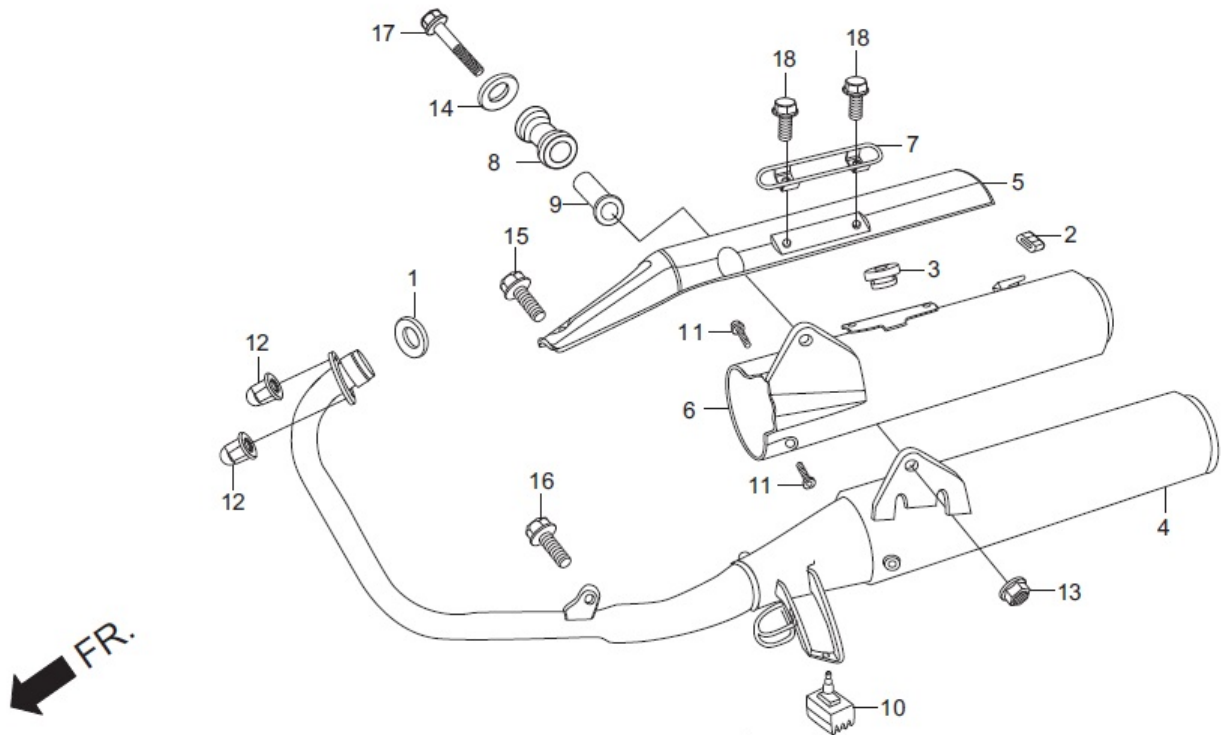
F-15 : AIR CLEANER



FR.

25	94101-05000	WASHER , PLAIN, 5MM	6
26	95002-02080	CLIP, TUBE	1
27	95002-80000	CLIP,C12 TUBE	1
28	95003-37015-31	VINYL TUBE,11X15X150	1
29	95005-12280-20	TUBE,12X280	1
30	95018-56320	BAND,56 AIR CLEANER CONN. TUBE	1
31	95701-06020-00	BOLT, FLANGE, 6X20	3

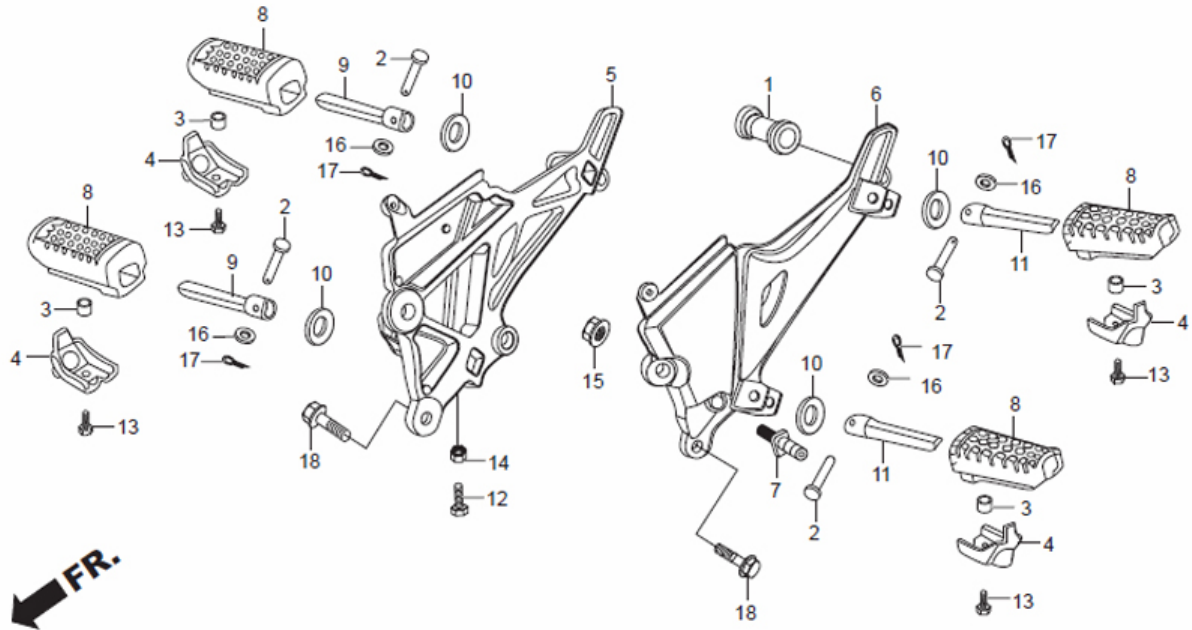
F-16 : EXHAUST MUFFLER



Group Number: F-16 Model :: Karizma (July, 2012)

Ref No.	Part Number	Description	Req.
1	18291-KRY-930	GASKET, EXHAUST PIPE	1
2	18293-KPK-900	RUBBER, PKG. PROTECTOR	1
3	18294-KRY-900	RUBBER, PROTECTOR MOUNT	5
4	18300-KRY-960	MUFFLER COMP., EXH.	1
5	18311-KRY-920	COVER COMP., FR. MUFFLER (CHROME PLATED)	1
6	18312-KRY-960	COVER COMP., MUFFLER	1
7	18317-KRY-920	PROTECTOR MUFFLER	1
8	18421-438-000	RUBBER, MUFFLER MOUNT	1
9	18442-KRC-900	COLLAR, MUFFLER MOUNT	1
10	50505-KCC-900	STOPPER RUBBER, A STAND	1
11	90101-KTR-900	BOLT, SPECIAL 5X8	2
12	90305-KFN-850	NUT, HEX CAP, 7MM	2
13	94050-10000	NUT, FLANGE, 10MM	1
14	94103-10000	WASHER, PLAIN, 10MM	1
15	95701-10020-00	BOLT, FLANGE, 10X20	1
16	95801-10055-00	BOLT, FLANGE, 10X55	1
17	96001-06008-02	BOLT, FLANGE, SH. 6 X 8	1
18	96001-06010-02	BOLT, FLANGE, SH. 6X10	2

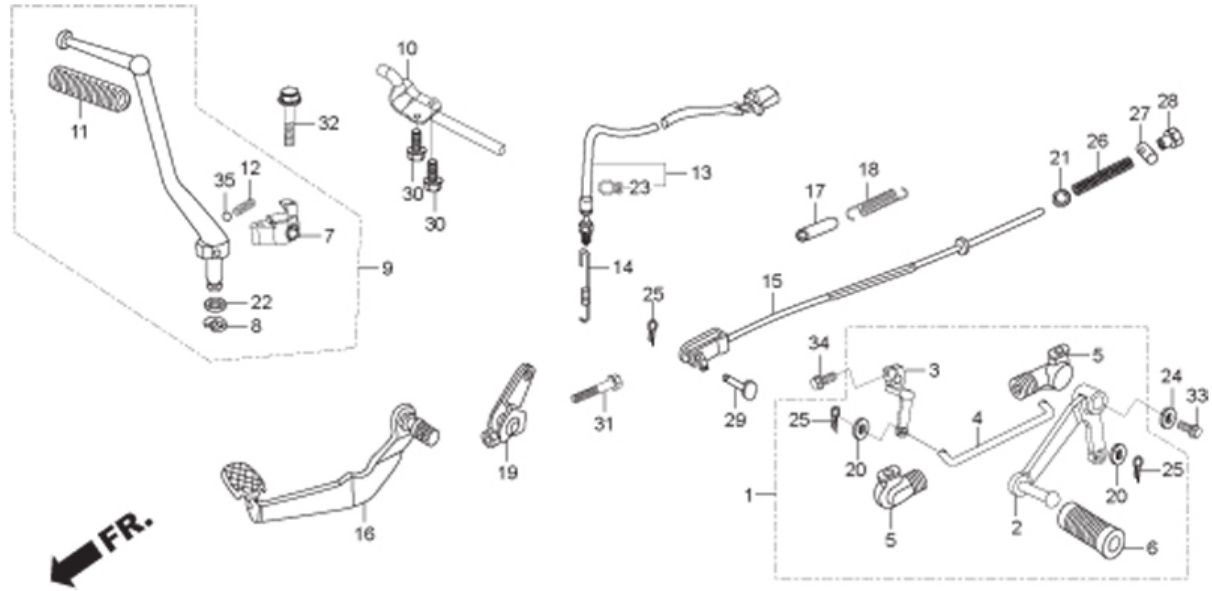
F-17 : STEP PILLION



Group Number: F-17 Model :: Karizma (July, 2012)

Ref No.	Part Number	Description	Req.
1	18421-438-000	RUBBER, MUFFLER MOUNT	1
2	50603-KFN-850	PIN, STEP BAR JOINT	4
3	50618-KE8-000	COLLAR, 6.5 X 11 X 3	4
4	50619-KFN-850	PLATE, STEP LOWER	4
5	50630-KRY-860	HOLDER, RSTEP	1
6	50640-KRY-860	HOLDER, LSTEP	1
7	50643-KRY-970	PIVOT,CHNG PEDAL	1
8	50661-KFN-850	RUBBER , MAIN STEP	4
9	50701-KRY-900	BAR COMP,RMAIN STEP	2
10	50715-KFN-850	PLATE, PILLION STEP SIDE	4
11	50801-KRY-900	BAR COMP,L MAIN STEP	2
12	90001-KFN-850	BOLT,PEDAL BRAKE STOPPER	1
13	92101-06012-0G	BOLT, HEX 6 X 12	4
14	94001-06000-0S	NUT, HEX., 6 MM	1
15	94050-08080	NUT,FLANGE,8 MM	1
16	94102-08000	WASHER, PLAIN, 8MM	4
17	94201-20150	PIN, SPLIT, 2.0 X 15	4
18	95701-10025-00	BOLT, FLANGE, 10 X 25	2

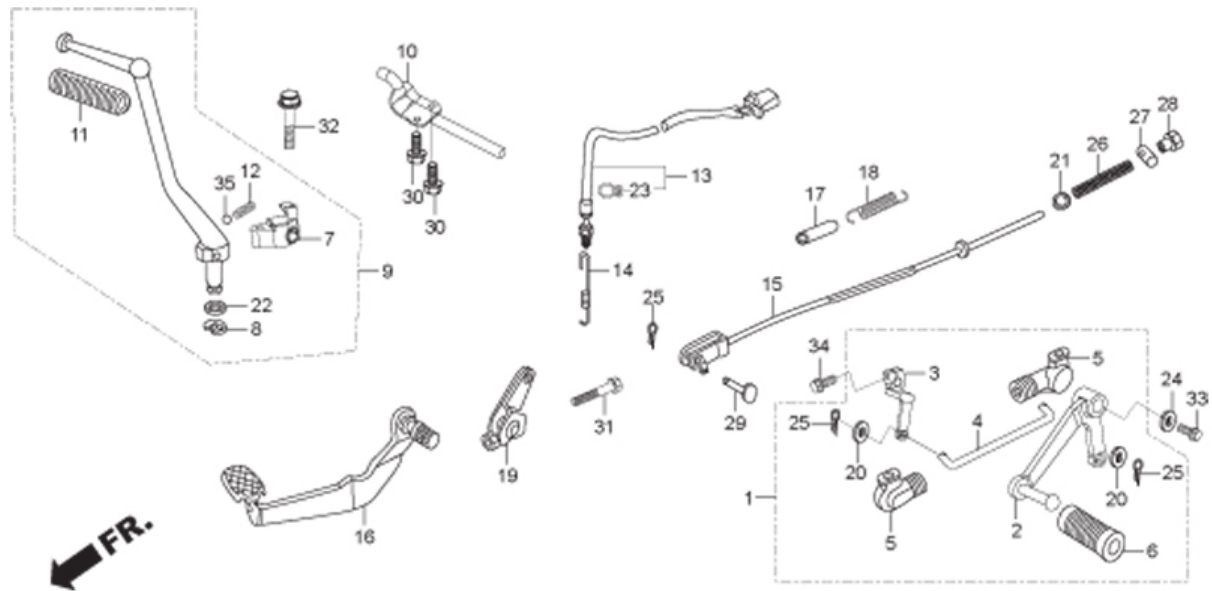
F-18 : GEAR CHANGE PEDAL / KICK STARTER



Group Number: F-18 Model :: Karizma (July, 2012)

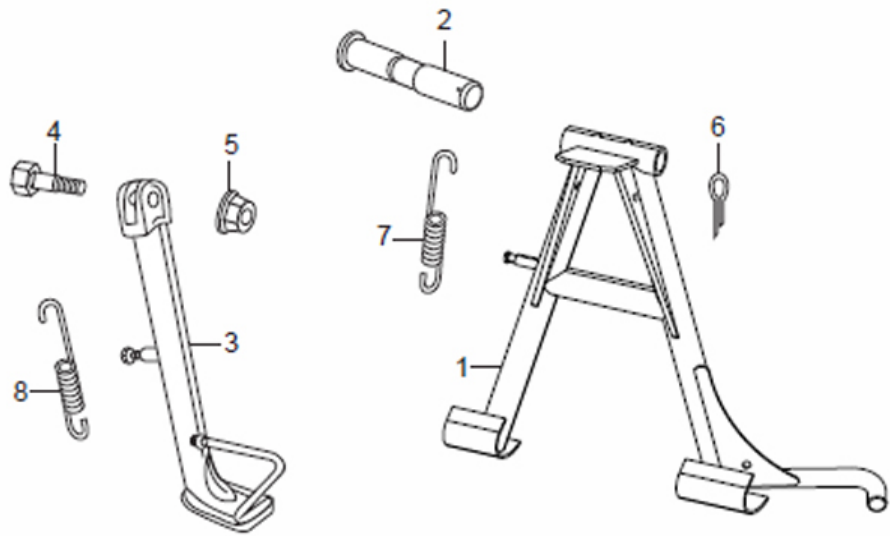
Ref No.	Part Number	Description	Req.
1	24701-KRY-970	PEDAL, GEAR CHANGE	1
2	24701-KRY-970	PEDAL, GEAR CHANGE	1
3	24711-KRY-970	ARM, GEAR CHANGE	1
4	24720-KRY-970	TIE ROD	1
5	24721-KRY-970	COVER,CHNG.PEDAL	2
6	24781-KR3-770	RUBBER, CHANGE PEDAL	1
7	28241-KRY-860	JOINT, KICK ARM	1
8	28293-KFN-850	CLIP, KICK STARTER	1
9	28300-KRY-860	ARM ASSY., KICK STARTER	1
10	28307-KRY-860	STOPPER, KICK ARM	1
11	28311-KC5-000	STARTER RUBBER, KICK	1
12	28333-KK0-000	SPRING, KICK STARTER ARM SET	1
13	35350-KFN-850	SW.ASSY.RR.STOP	1
14	35357-KCT-690	SPRING STOP SWITCH	1
15	43451-KRY-930	ROD COMP,RR.BRAKE	1
16	46500-KRY-900	PEDAL,BRAKE	1
17	46513-KBW-900	TUBE,BRAKE PEDAL SPRING	1
18	46514-KCJ-690	SPRING,BRAKE PEDAL	1
19	46515-KFN-850	ARM,COMP,MIDDLE	1
20	90502-155-000	WASHER,PLAIN,7MM	2
21	90502-KRY-930	WASHER , BRAKE ROD	1
22	90505-116-670	WASHER, 13X20	1
23	90601-KAF-003	CLIP, SW. COVER	1
24	94103-06000	WASHER PLAIN,6MM	1

F-18 : GEAR CHANGE PEDAL / KICK STARTER



25	94201-20150	PIN, SPLIT, 2.0 X 15	3
26	43456-KSP-900	SPRING BRAKE ROD	1
27	43455-KSP-900	JOINT BRAKE ARM	1
28	43459-KSP-900	NUT RR. BRK. ADJUST	1
29	95015-53000	PIN, C JOINT	1
30	95701-08020-00	BOLT, FLANGE, 8X20	2
31	95701-08040-07	BOLT FLANGE, 8 X 40	3
32	95701-08050-00	BOLT, FLANGE, 8 X 50	3
33	95701-06012-00	BOLT, FLANGE, 6X12	3
34	96001-06020-00	BOLT, FLANGE, SH. 6 X 20	1
35	96211-08000	BALL STEEL 8 MM	1

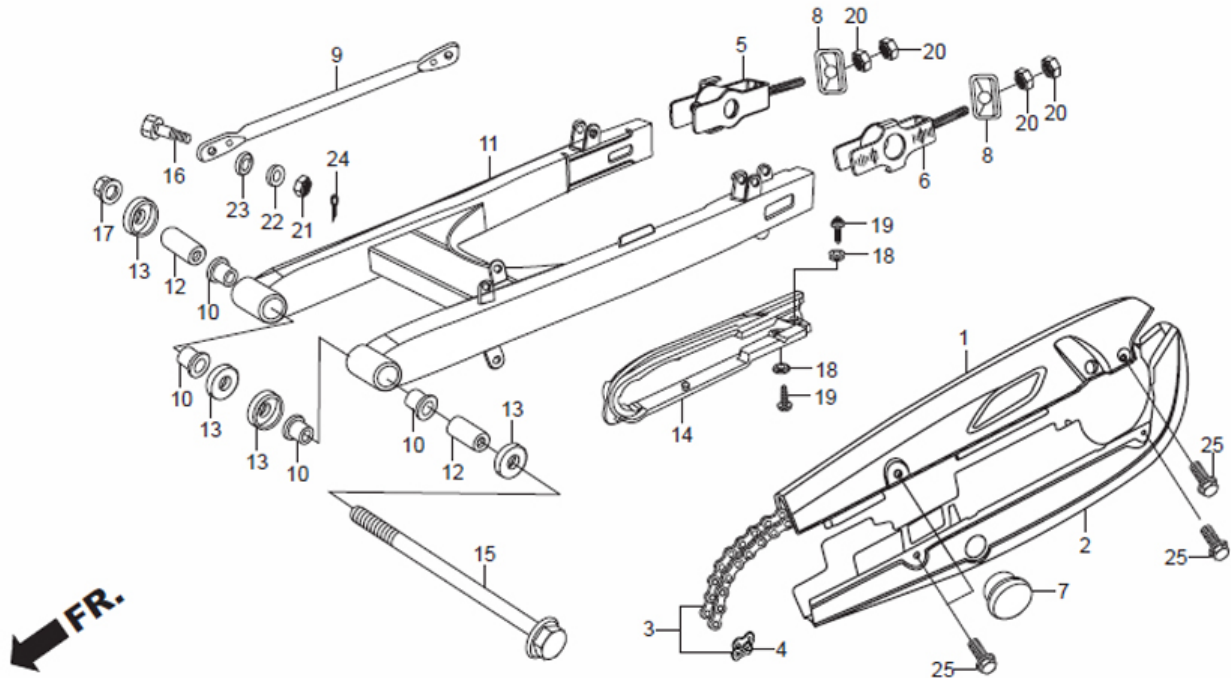
F-18A : MAIN STAND / SIDE STAND



Group Number: F-18A **Model ::** Karizma (July, 2012)

Ref No.	Part Number	Description	Req.
1	50500-KRY-860	STAND MAIN COMP.,	1
2	50526-KCT-690	SHAFT, MAIN STAND PIVOT	1
3	50530-KRY-970	BAR COMP.SIDE STAND	1
4	90107-GN1-010	SCREW SIDE STAND PIVOT	1
5	90304-KFN-850	NUT U 10 MM	1
6	94201-30300	PIN, SPLIT 3 X 30MM	1
7	95014-71702	SPRING G MAIN STAND	1
8	95014-72102	SPRING, SIDE STAND	1

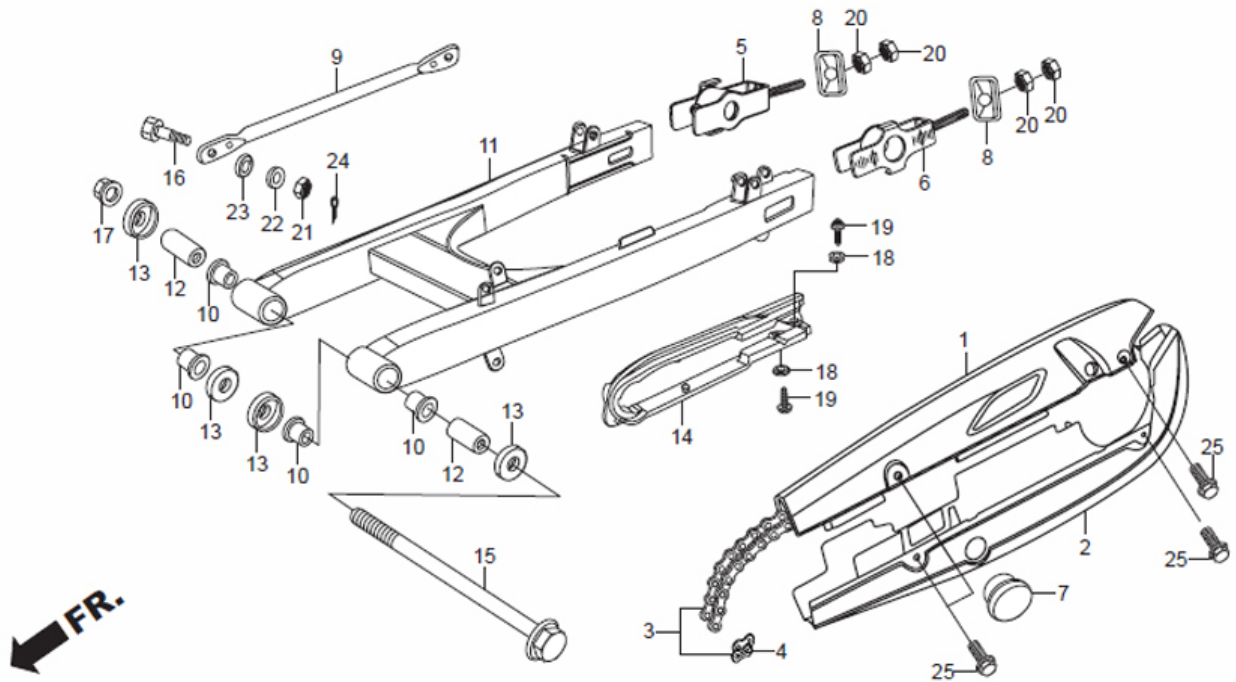
F-19 : SWINGARM / CHAIN CASE



Group Number: F-19 Model :: Karizma (July, 2012)

Ref No.	Part Number	Description	Req.
1	40510-KRY-860	CASE UP., HALF DRIVE CHAIN	1
2	40520-KRY-900	CASE UND. HALF DRIVE CHAIN (NH-303M)	1
3	40530-KRY-900	CHAIN DRIVE 520-108	1
4	40531-KRY-900	JOINT, DRIVE CHAIN	1
5	40543-KRY-900	ADJUSTER, R CHAIN	1
6	40544-KRY-900	ADJUSTER, L CHAIN	1
7	40545-001-000	CAP, CHAIN PEEP HOLE	1
8	40546-KRY-900	CAP, REAR FORK END	2
9	43431-KCT-690	ARM, REAR BRAKE STOPPER	1
10	52109-KC1-003	BUSH, REAR FORK	4
11	52110-KRY-860	SWINGARM COMP., RR	1
12	52141-KCT-690	COLLAR, SWING ARM (PIVOT)	2
13	52144-GC4-005	DUST, SEAL CAP RR. SWINGRAM	4
14	52170-KRY-900	SLIDER CHAIN	1
15	90121-KBW-900	BOLT, SWING ARM (PIVOT)	1
16	90133-331-770	BOLT, HEX., 8MM	1
17	90305-KVN-900	NUT, FLG. PT. 14 MM	1
18	90556-044-000	WASHER, FENDER SETTING	2
19	93901-25020	SCREW, TAPPING, 5X8	2
20	94001-06000-0S	NUT, HEX., 6 MM	4
21	94001-08000-0S	NUT, HEX., 8 MM	1
22	94101-08000	WASHER, PLAIN, 8MM	1
23	94111-10000	WASHER, SPRING, 10MM	1
24	94201-20150	PIN, SPLIT, 2.0 X 15	1

F-19 : SWINGARM / CHAIN CASE



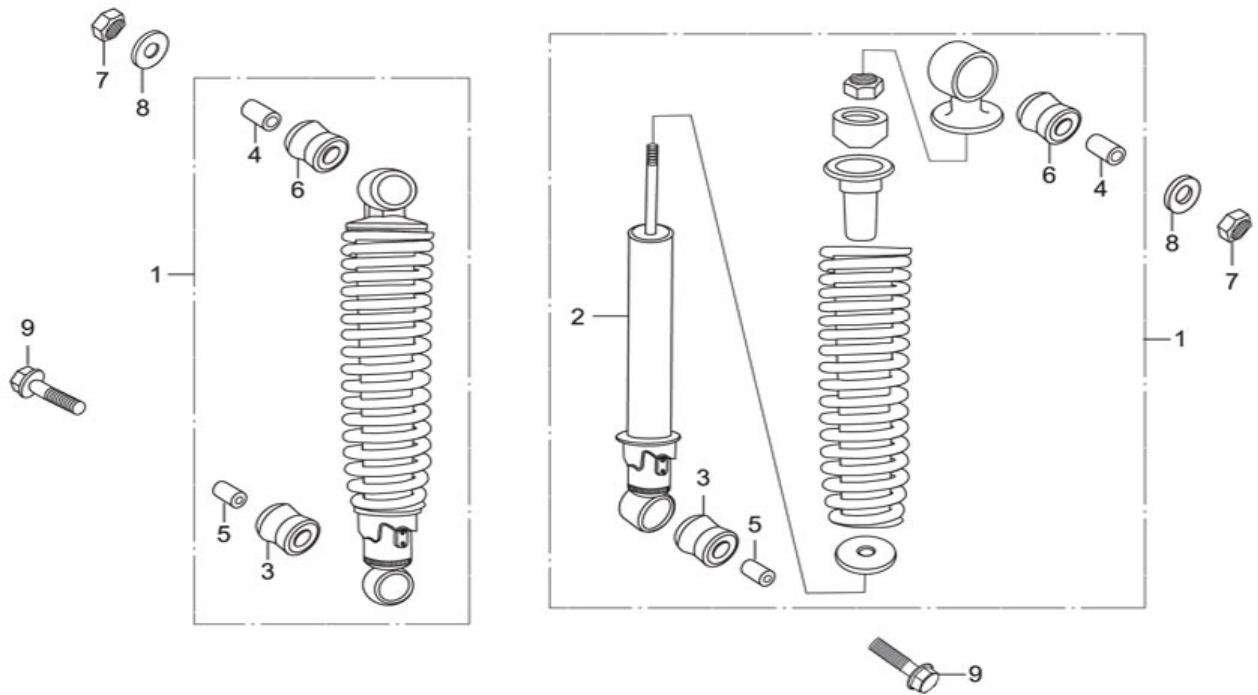
25

95701-06012-00

BOLT, FLANGE, 6X12

4

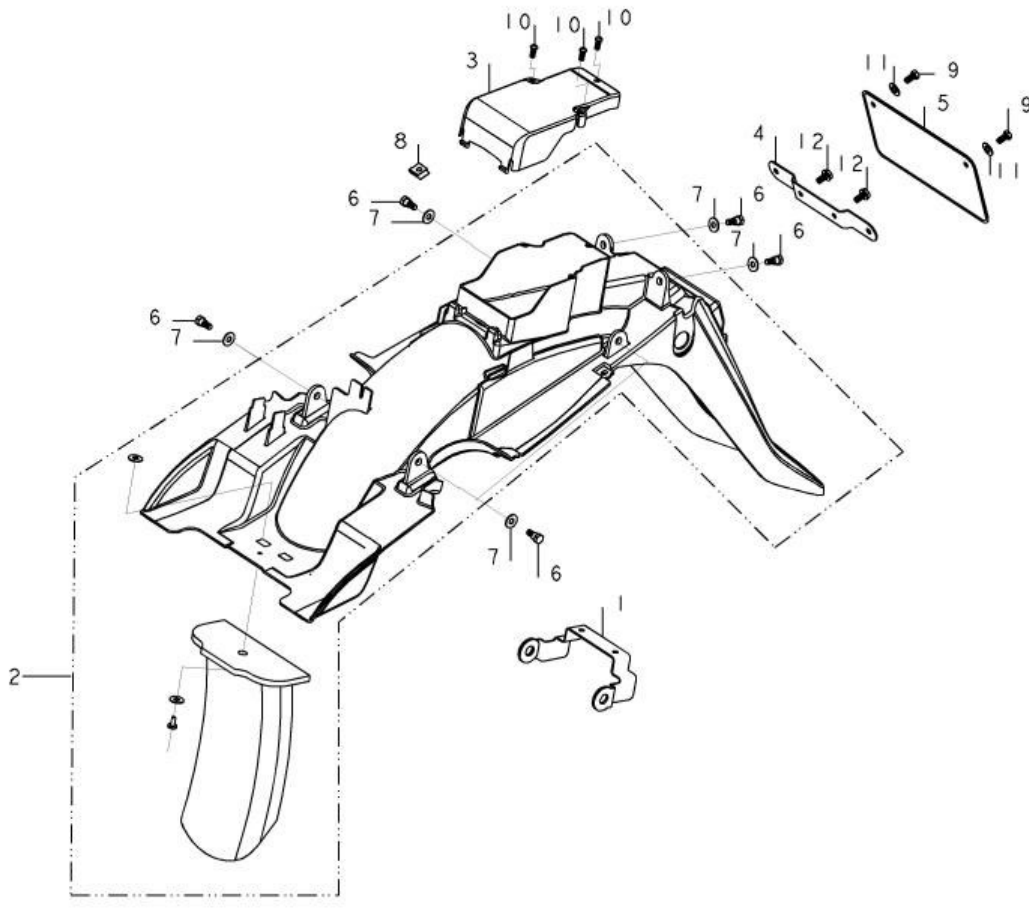
F-20 : REAR CUSHION



Group Number: F-20 Model :: Karizma (July, 2012)

Ref No.	Part Number	Description	Req.
1	52400-KRY-961	CUSHION ASSY RR.	2
2	52410-KRY-901	DAMPER COMP. REAR	2
3	52485-088-901	BUSH, RUBBER (UNDER)	2
4	52486-056-000	COLLAR, RUBBER BUSH (UPPER)	2
5	52486-KTN-701	COLLAR, RUBBER BUSH (UPPER)	1
6	52489-399-600	BUSH ,RUBBER (UPPER)	2
7	94001-12000-0S	NUT, HEX, 12 MM	2
8	94101-12800	WASHER,PLAIN ,12 MM	2
9	95801-10035-00	BOLT, FLANGE, 10X35	2
8A	94002-10000-0S	NUT, HEX, 10MM	1

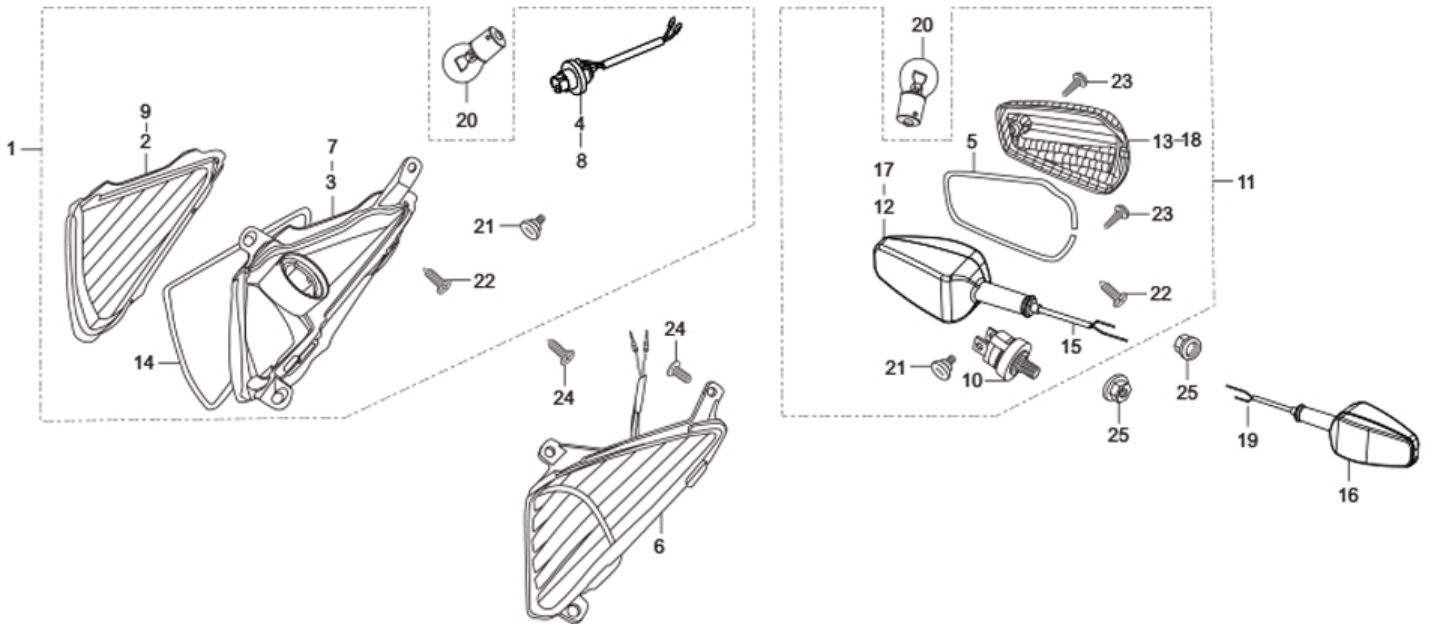
F-21 : REAR FENDER



Group Number: F-21 Model :: Karizma (July, 2012)

Ref No.	Part Number	Description	Req.
1	50186-KRY-900	STAY, REAR WINKER	1
2	80100-KRY-900	FENDER COMP., REAR	1
3	80102-KRY-900	COVER, TOOL BOX	1
4	84701-KCC-860	BRACKET, NUMBER PLATE	1
5	84701-P26-D00A	NUMBER, PLATE REAR	1
6	90111-187-000	BOLT, FLANGE. 6 MM	6
7	90111-187-020	WASHER, SPL. 8.5MM (DIA 16)	6
8	90320-GC3-000	NUT, SPRING, M5	1
9	92000-06012-0A	BOLT,HEX.,6X12	2
10	93903-25210	SCREW, TAPPING, 5X12	3
11	94101-06000	WASHER, PLAIN, 6 MM	2
12	95701-06012-00	BOLT, FLANGE, 6X12	2
10A	94002-06000-0S	NUT, HEX 6MM	1
10B	94101-04800	WASHER ,PLAIN ,4MM	1

F-22 : WINKERS

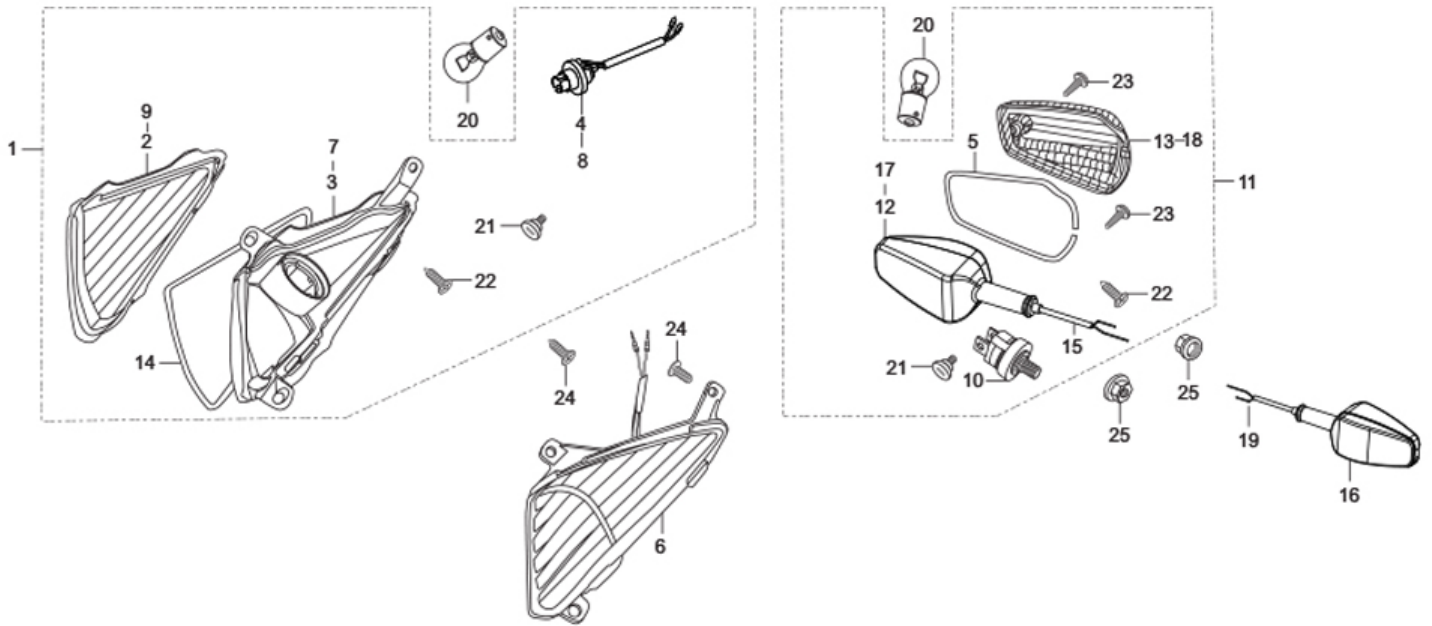


FR.

Group Number: F-22 Model :: Karizma (July, 2012)

Ref No.	Part Number	Description	Req.
1	3340A-KRY-861	WINKER ASSY,R FR(W/O BULB)	1
2	33410-KRY-970	LENS COMP,R	1
3	33403-KRY-901	BASE, WINKER R FR.	1
4	33405-KRY-861	SOCKET COMP.,R	1
5	33406-MAZ-003	PACKING, LENS	1
6	3345A-KRY-861	WINKER ASSY., L FR	1
7	33453-KRY-901	BASE, WINKER L FR.	1
8	33455-KRY-861	SOCKET COMP.,L	1
9	33460-KRY-970	LENS COMPL,L	1
10	33491-MAZ-003	STAY COMP., WINKER	1
11	3360B-AAP-H61	WINKER ASSY R RR(W/O BULB)	1
12	33601-AAP-H11	BASE WINKER R	1
13	33602-KRY-861	LENS WINKER R	1
14	33607-KRY-901	PACKING, LENS	1
15	33615-KRY-861	SOCKET, COMP., RWINKER	1
16	3365B-AAP-H61	WINKER ASSY L RR(W/O BULB)	1
17	33651-AAP-H11	BASE WINKER L	1
18	33652-KRY-861	LENS WINKER L	1
19	33665-KRY-861	SOCKET COMP., LWINKER	1
20	34904-KRY-971	BULB, WINKER LIGHT	4
21	90380-MB2-000	SCREW, SPECIAL, 6 X 8	2
22	93901-22310	SCREW, TAPPING, 3 X 12	1
23	93901-34520	SCREW, TAPPING, 4 X 20	2
24	93903-25210	SCREW, TAPPING, 5X12	2

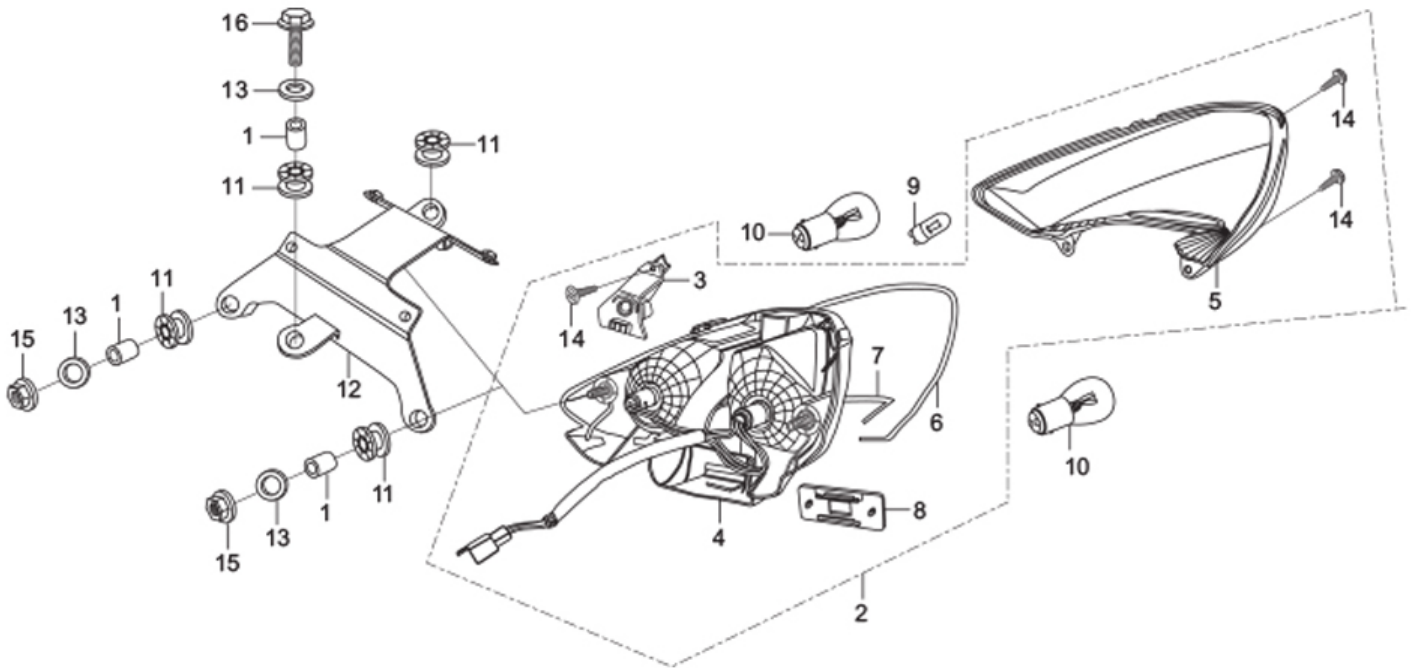
F-22 : WINKERS



← FR.

25	94050-10000	NUT, FLANGE, 10MM	2
----	-------------	-------------------	---

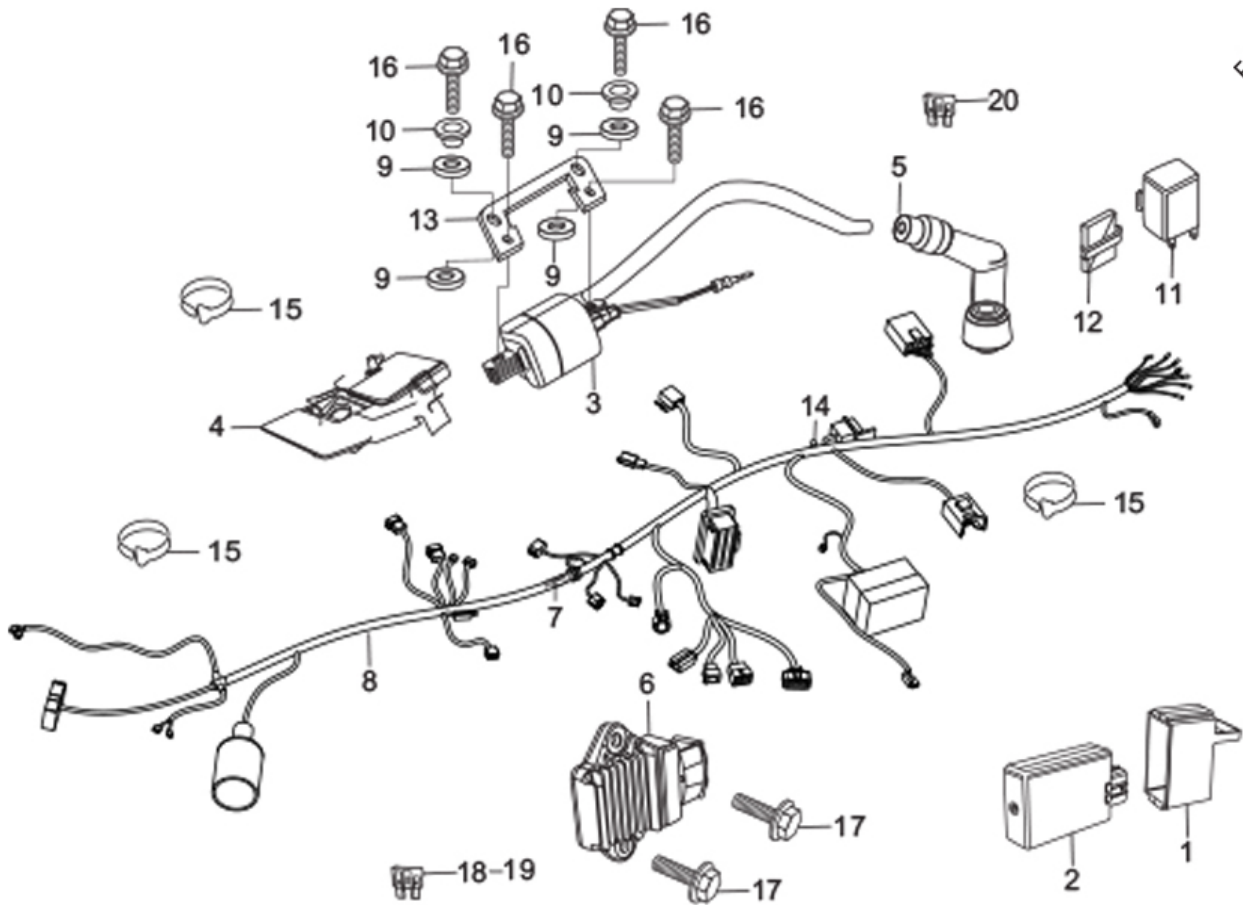
F-23 : TAIL LIGHT



Group Number: F-23 Model :: Karizma (July, 2012)

Ref No.	Part Number	Description	Req.
1	33603-053-650	COLLAR, RR. WINKER	3
2	3370B-AAP-H61	LIGHT ASSY TAIL(W/O BULB)	1
3	33711-KRY-901	LENS, LICENSE LIGHT	1
4	33712-AAP-H61	BASE COMP	1
5	33713-KRY-901	LENS COMP.,	1
6	33715-KRY-901	SEAL, GASKET A	1
7	33716-KRY-901	SEAL,GASKET B	1
8	33741-KW6-840	REFLEX, REFLECTOR	1
9	34351-657-921	BULB, LICENSE LIGHT (12V - 5.0 W)	1
10	34906-447-710	BULB, TAIL & STOP LIGHT (12V-21/5W)	2
11	77209-KAG-900	RUBBER, SEAT STAY MOUNT	4
12	77235-KRY-900	STAY,TAIL LIGHT	1
13	90563-355-000	WASHER, WHEEL, 6 MM	3
14	93901-34480	SCREW, TAPPING,4 X 16	3
15	94050-06000	NUT, FLANGE, 6 MM	1
16	95701-06025-00	BOLT, FLANGE, 6X 25	1

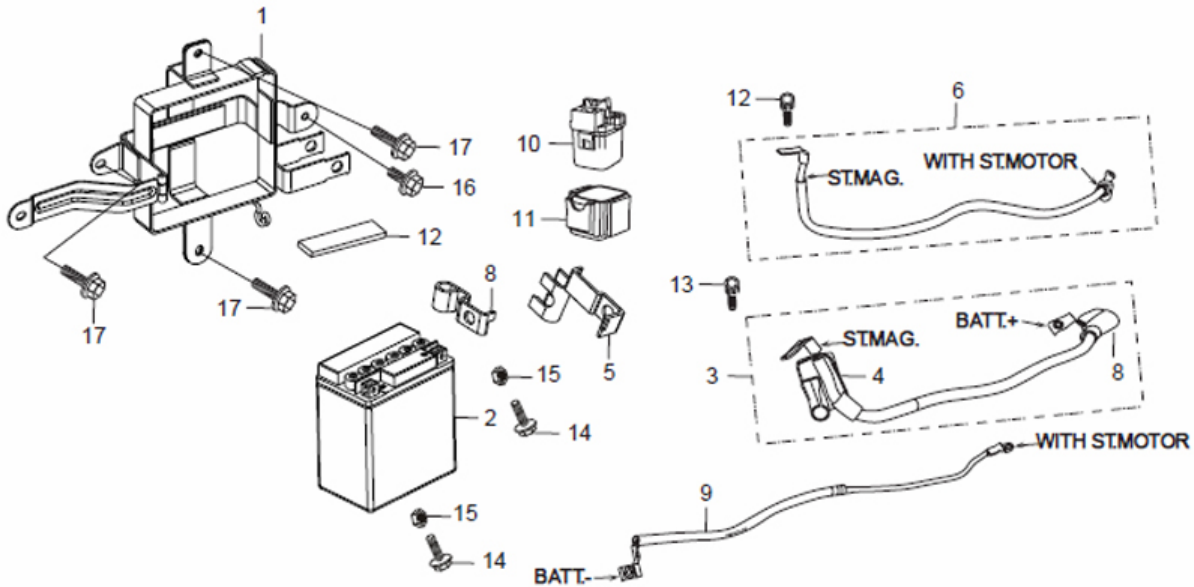
F-24 : WIRE HARNESS



Group Number: F-24 Model :: Karizma (July, 2012)

Ref No.	Part Number	Description	Req.
1	30401-MCG-000	CUSHION, CDI UNIT	1
2	30410-KRY-900	UNIT COMP., DIGITAL DC-CDI	1
3	30500-AAP-H61	COIL ASSY IGN	1
4	30510-KRY-860	COVER, IGN., COIL	1
5	30700-KWA-831	CAP ASSY, NOISE SUPPRESSOR	1
6	31600-KRY-861	REG. RECT. ASSY	1
7	31700-124-000	RECTIFIER ASSY., SILICON	1
8	32100-KRY-860	HARNESS, WIRE	1
9	33714-KL3-620	RUBBER, TAIL LIGHT	4
10	38117-KFE-701	COLLAR, HORN SET	2
11	38301-KRY-971	RELAY COMP. WINKER	1
12	38306-GE7-000	SUSPENSION, WINKER RELAY	1
13	50119-KRY-860	STAY, IGN. COIL B	1
14	91547-SF4-003	BAND, HARN	1
15	90651-KV6-003	BAND WIRE	3
16	95701-05018-00	BOLT, FLANGE, 5X18	4
17	95701-06018-08	BOLT, FLANGE, 6 X 18	2
18	98200-30750	BLADE, FUSE, 7.5A	3
19	98200-31500	BLADE, FUSE, 15A	2
20	98200-32000	BLADE, FUSE, 20A	1

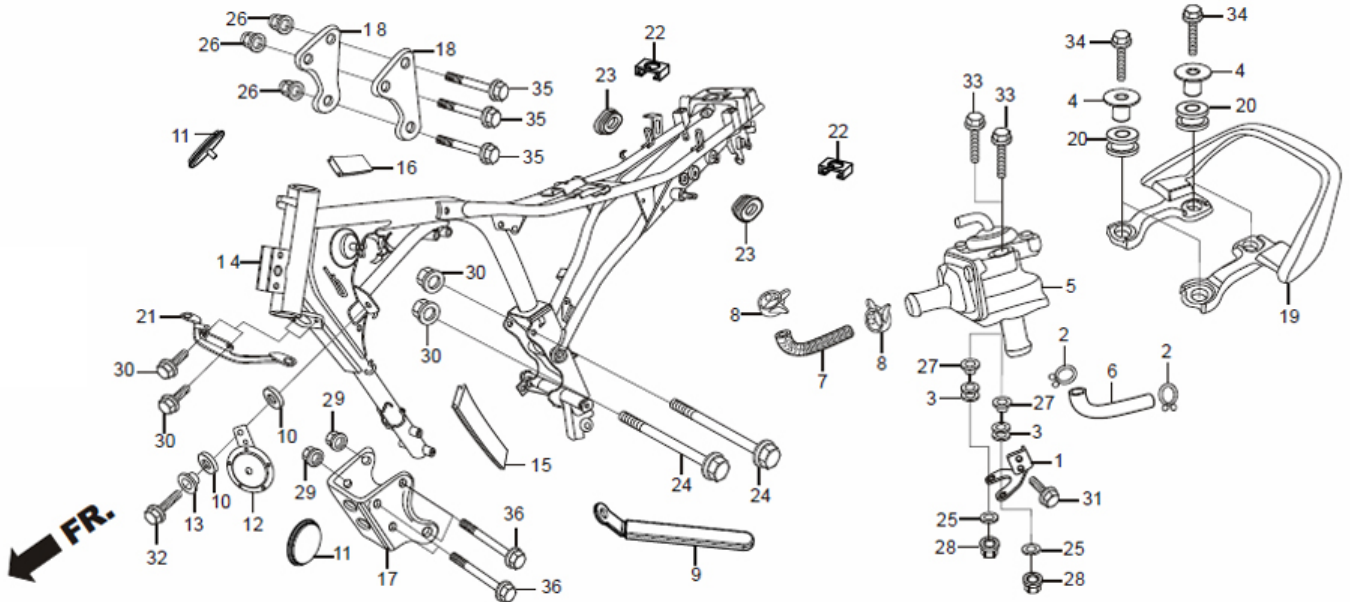
F-24A : BATTERY ASSY



Group Number: F-24A Model :: Karizma (July, 2012)

Ref No.	Part Number	Description	Req.
1	17232-KRY-860	CASE COMP., BATTERY	1
2	31500-KRY-801	BATTERY ASSY MF7	1
3	32401-KRY-860	CABLE, ST. MAG. BATT	1
4	32406-KRY-860	COVER, ST. MAG. TERMINAL A	1
5	32407-KSP-B00	TERMINAL BATT B	1
6	32410-KRY-860	CABLE, START MOTOR	1
7	32414-MW0-000	COVER, BATTERY TERMINAL	1
8	32418-KRY-970	TERMINAL, BAT	1
9	32601-KRY-860	CABLE BAT. EARTH	1
10	35850-KR3-870	SWITCH ASSY., START MAG.	1
11	35856-KBG-007	RUBBER,SHOCK	1
12	50383-KRC-900	RUBBER , BATTERY	1
13	90111-MR5-000	BOLT, SOCKET, 5X9	1
14	90122-KVT-941	BOLT BATTERY TERMINAL	1
15	90306-KVT-941	NUT BATTERY TERMINAL	4
16	95701-06008-00	BOLT, FLANGE, 6X8	2
17	95701-06012-00	BOLT, FLANGE, 6X12	2

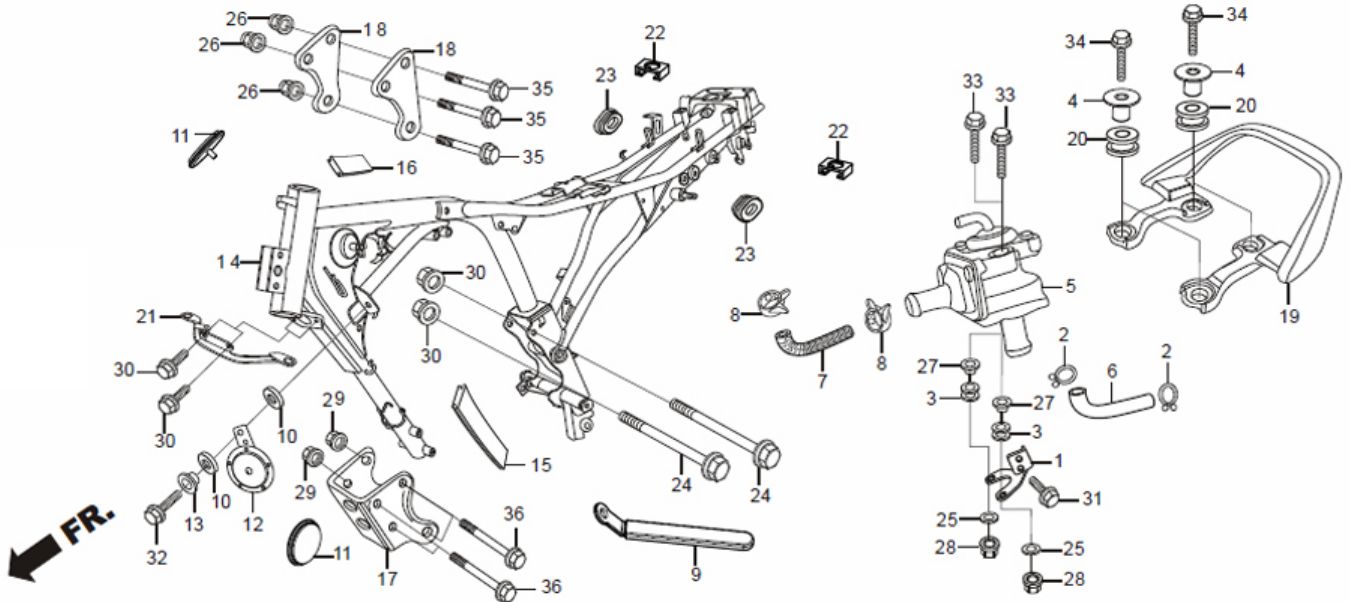
F-25 : FRAME BODY



Group Number: F-25 Model :: Karizma (July, 2012)

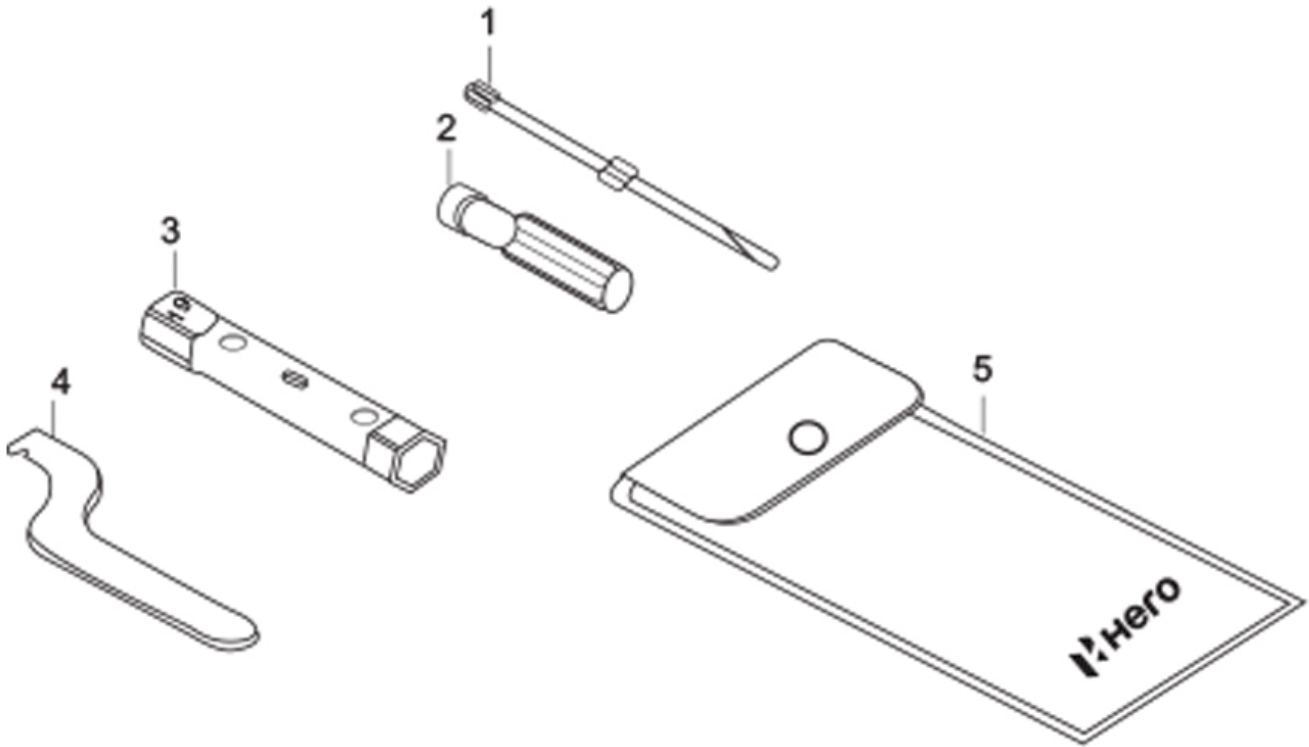
Ref No.	Part Number	Description	Req.
1	17365-KFN-880	STAY, ASV	1
2	17369-198-770	CLIP BREATHER TUBE	2
3	17622-GB7-900	RUBBER, CUSHION	2
4	18327-KAE-000	COLLAR, CHAMBER RR. 8.5 X 15	4
5	18600-KRY-901	VALVE ASSY., AIR SUCTION	1
6	18601-KFN-880	TUBE, `A ASV	1
7	18602-KRY-900	TUBE, B A1	1
8	19509-KFN-850	CLAMP, D16 TUBE	2
9	32901-MA1-000	CLIP SUB CORD	1
10	33714-KL3-620	RUBBER, TAIL LIGHT	2
11	33741-KRY-861	REFLEX, REFLECTOR	2
12	38110-KRY-930	HORN COMP.	1
13	38117-KFE-701	COLLAR, HORN SET	1
14	50100-KRY-860	FRAME BODY COMP.	1
15	50197-KRY-900	RUBBER, STIFFNER A	1
16	50199-KRY-900	RUBBER, STIFFNER B	1
17	50351-KRY-960	PLATE, FR.ENG.HANGER	1
18	50353-KRY-900	PLATE, ENG.UP HANGER	2
19	50400-KRY-960	GRIP, REAR(NH-35M)	1
20	50623-KFB-000	RUBBER, STEP MOUNTING	4
21	64520-KRY-860	STAY, COWL LOWER	1
22	77212-KFN-850	RUBBER,COWL MTG	1
23	83551-300-000	GROMMET, AIR CLEANER CASE	2
24	90019-399-010	BOLT, FLANGE, 10 X 110	2

F-25 : FRAME BODY



25	90417-041-000	WASHER, GEAR SHIFT DRUM SIDE	2
26	90443-107-000	NUT, CAP, 8 MM	3
27	90502-KEZ-900	COLLAR, RUBBER CUSHION	2
28	94050-06000	NUT, FLANGE, 6 MM	2
29	94050-08000	NUT, FLANGE, 8MM	4
30	94050-10000	NUT, FLANGE, 10MM	2
31	95701-06012-07	BOLT, FLANGE, 6X12	2
32	95701-06020-07	BOLT, FLANGE, 6 X 20	1
33	95701-06030-00	BOLT, FLANGE, 6X30	2
34	95701-08030-00	BOLT,FLANGE, 8 X 30	4
35	95801-08060-00	BOLT, FLANGE, 8X60	3
36	95801-08085-00	BOLT, FLANGE, 8X85	4

F-26 : TOOLS

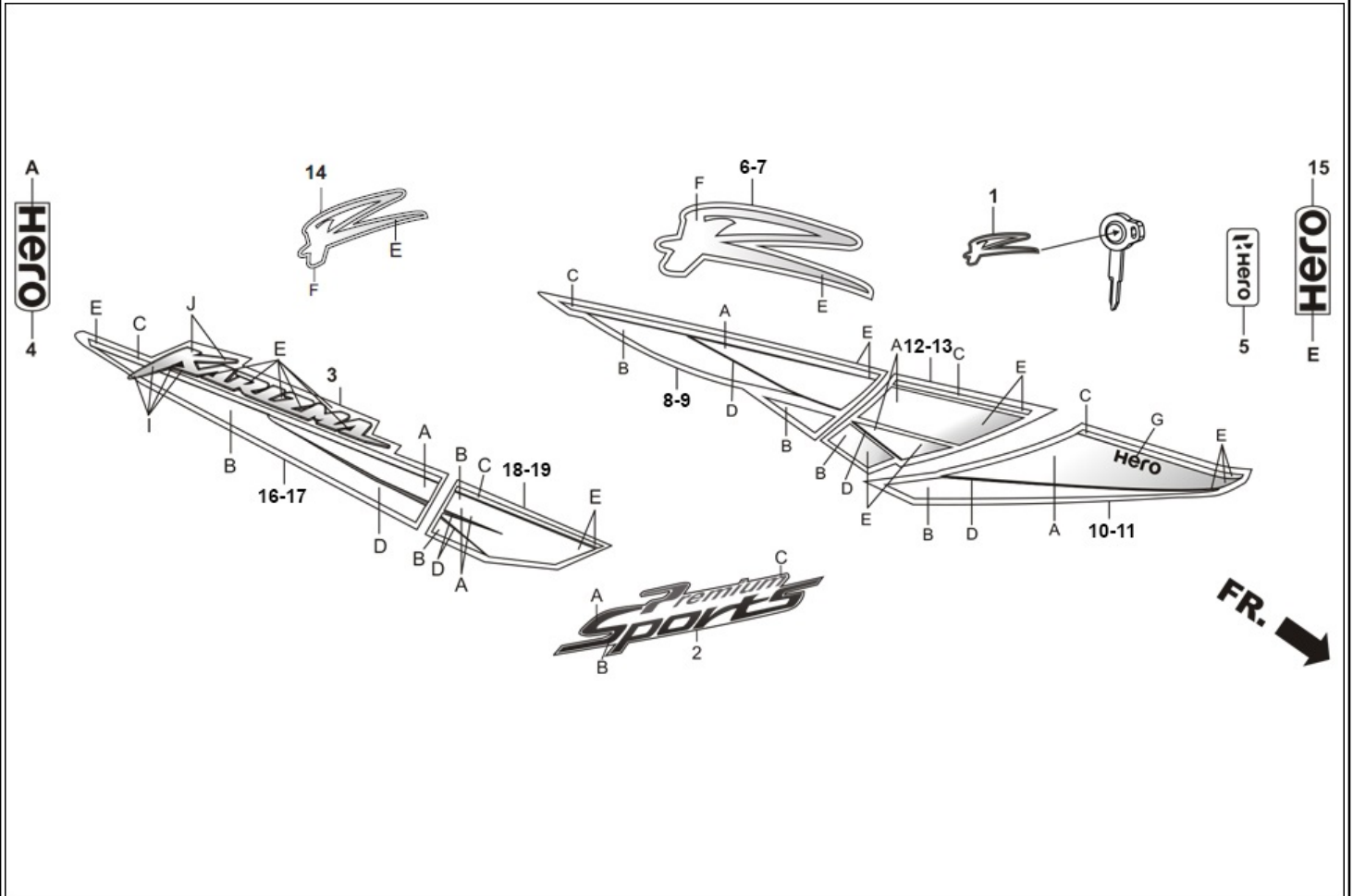


← FR.

Group Number: F-26 Model :: Karizma (July, 2012)

Ref No.	Part Number	Description	Req.
1	89102-538-000	SCREW, DRIVER PLUS/MINUS	1
2	89103-538-000	GRIP, SCREW DRIVER	1
3	89213-AAP-H00	BOX WRENCH P18X14	1
4	99007-45000	PIN, SPANNER	1
5	89216-AAD-H00	TOOL BAG	1

F-27 : STRIPE / MARKS



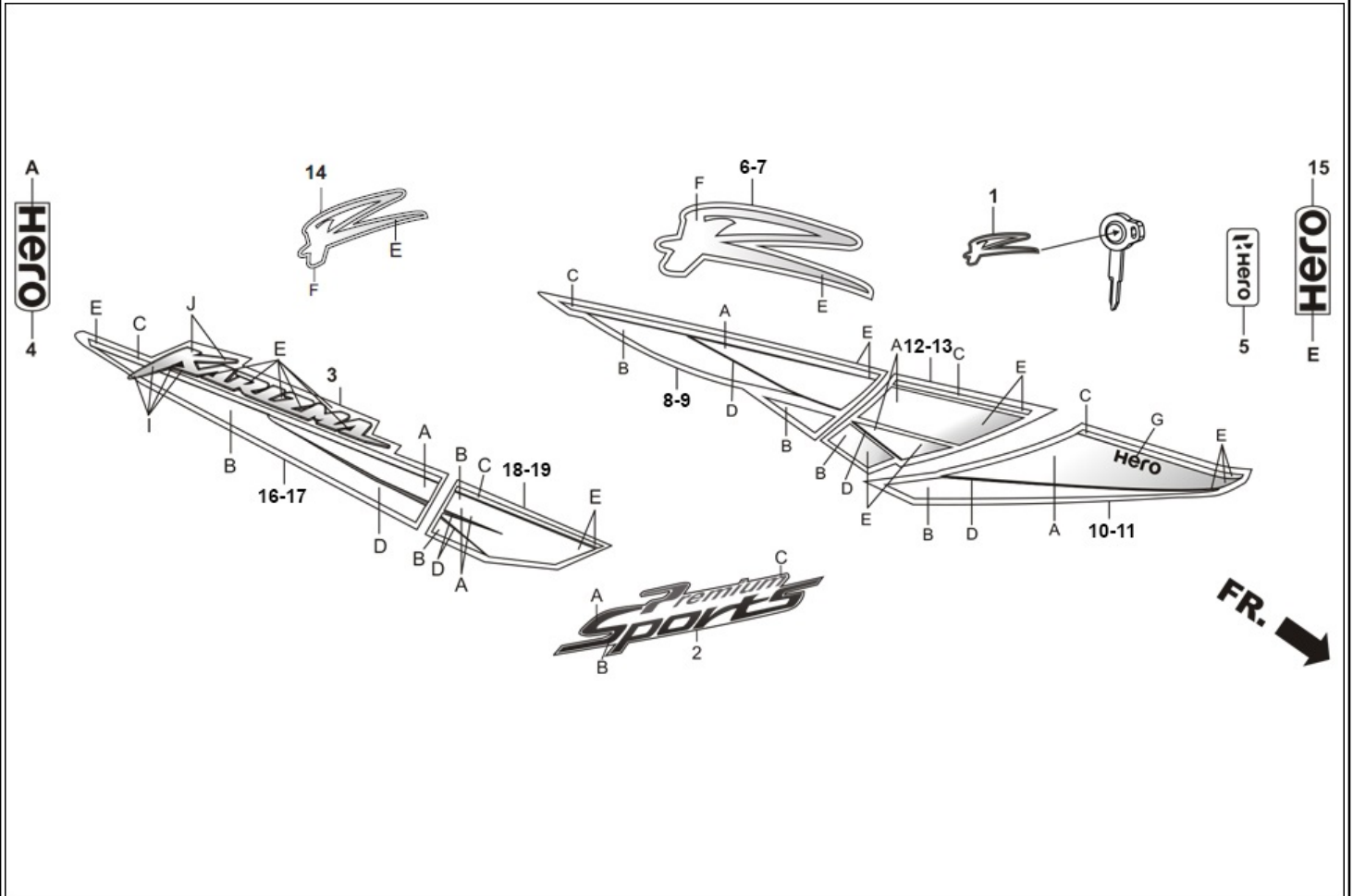
Group Number: F-27 Model :: Karizma (July, 2012)

Ref No.	Part Number	Description	Req.
1	35113-KRY-860	EMBLEM KEY	1

SPECIFIED COLOUR CHART FOR EMBLEM KEY

SPECIFIED COLOUR TYPE		MAIN BODY COLOUR
		BLACK, (NH-1)
		SPORTS RED (R-321)
		PEARL FADELESS WHITE (NH-341P)
		MOON YELLOW (Y-153)
		EBONY GREY METALLIC (NH-A63M)

F-27 : STRIPE / MARKS



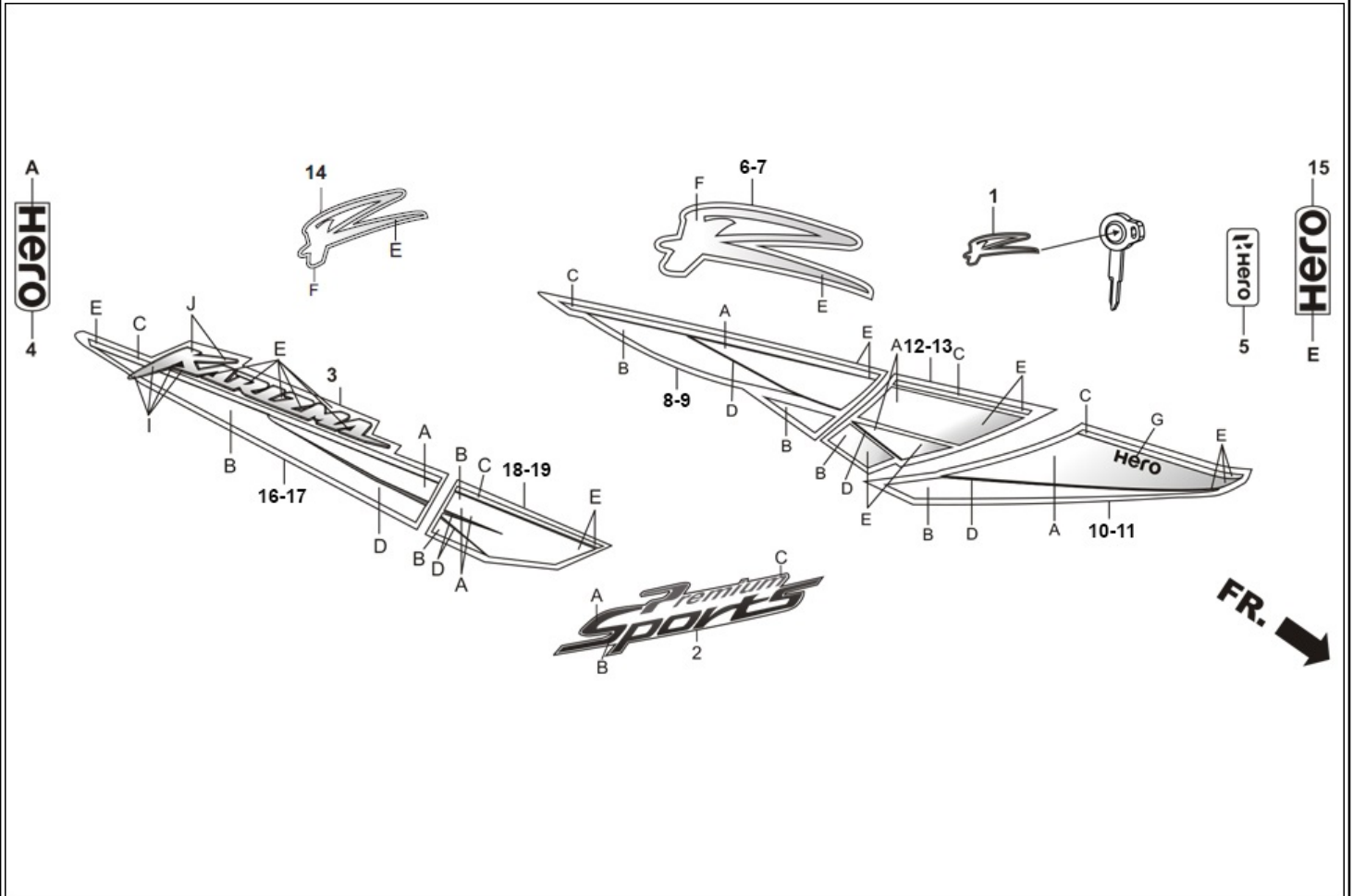
Group Number: F-27 Model :: Karizma (July, 2012)

Ref No.	Part Number	Description	Req.
2	64305-KRY-960	MARK, UNDER COWL (TYPE-1)	1

SPECIFIED COLOUR CHART FOR MARK, UNDER COWL

SPECIFIED COLOUR TYPE	A	B	C	MAIN BODY COLOUR
1	FIGHTING RED	BLACK	FORCE SILVER ME	BLACK, (NH-1)
				SPORTS RED (R-321)
				PEARL FADELESS WHITE (NH-341P)
				MOON YELLOW (Y-153)
				EBONY GREY METALLIC (NH-A63M)

F-27 : STRIPE / MARKS



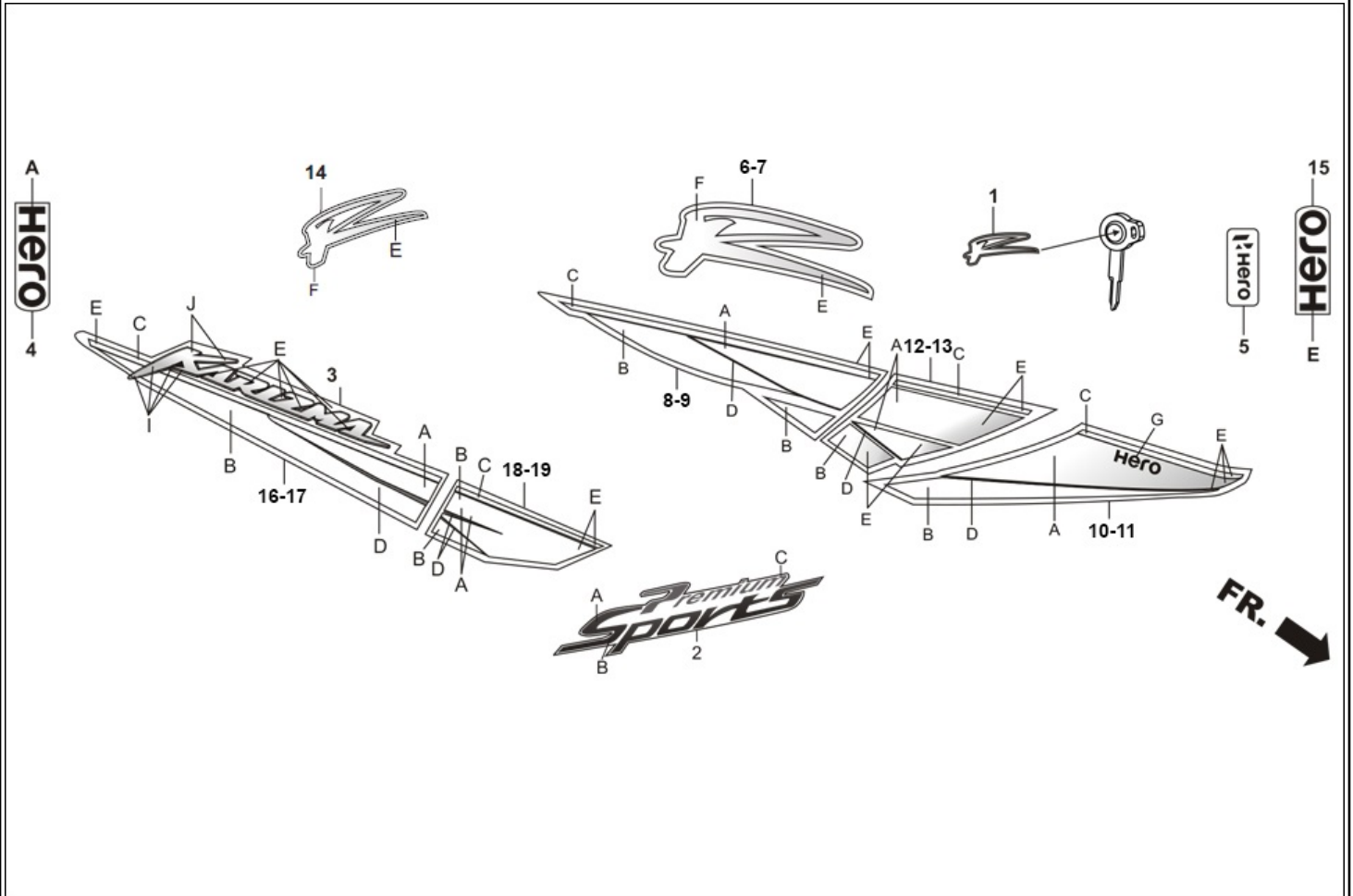
Group Number: F-27 Model :: Karizma (July, 2012)

Ref No.	Part Number	Description	Req.
3	86773-KRY-860ZA	MARK, KARIZMA (TYPE-1)	1
	77227-KRY-970ZB	MARK, KARIZMA(TYPE-2)	1
	77227-KRY-970ZC	MARK, KARIZMA(TYPE-3)	1
	77227-KRY-970ZD	MARK, KARIZMA(TYPE-4)	1
	86773-KRY-860ZB	MARK, KARIZMA (TYPE-2)	1

SPECIFIED COLOUR CHART FOR MARK, KARIZMA

SPECIFIED COLOUR TYPE	I	J	E	MAIN BODY COLOUR
1	NH-1 BLACK	HAIR LINE SILVER	NH-1 BLACK	BLACK, (NH-1)
				SPORTS RED (R-321)
2	NH-1 BLACK	HAIR LINE SILVER	NH-A63M EBONY GRAY ME	PEARL FADELESS WHITE (NH-341P)
				MOON YELLOW (Y-153)
				EBONY GREY METALLIC (NH-A63M)

F-27 : STRIPE / MARKS



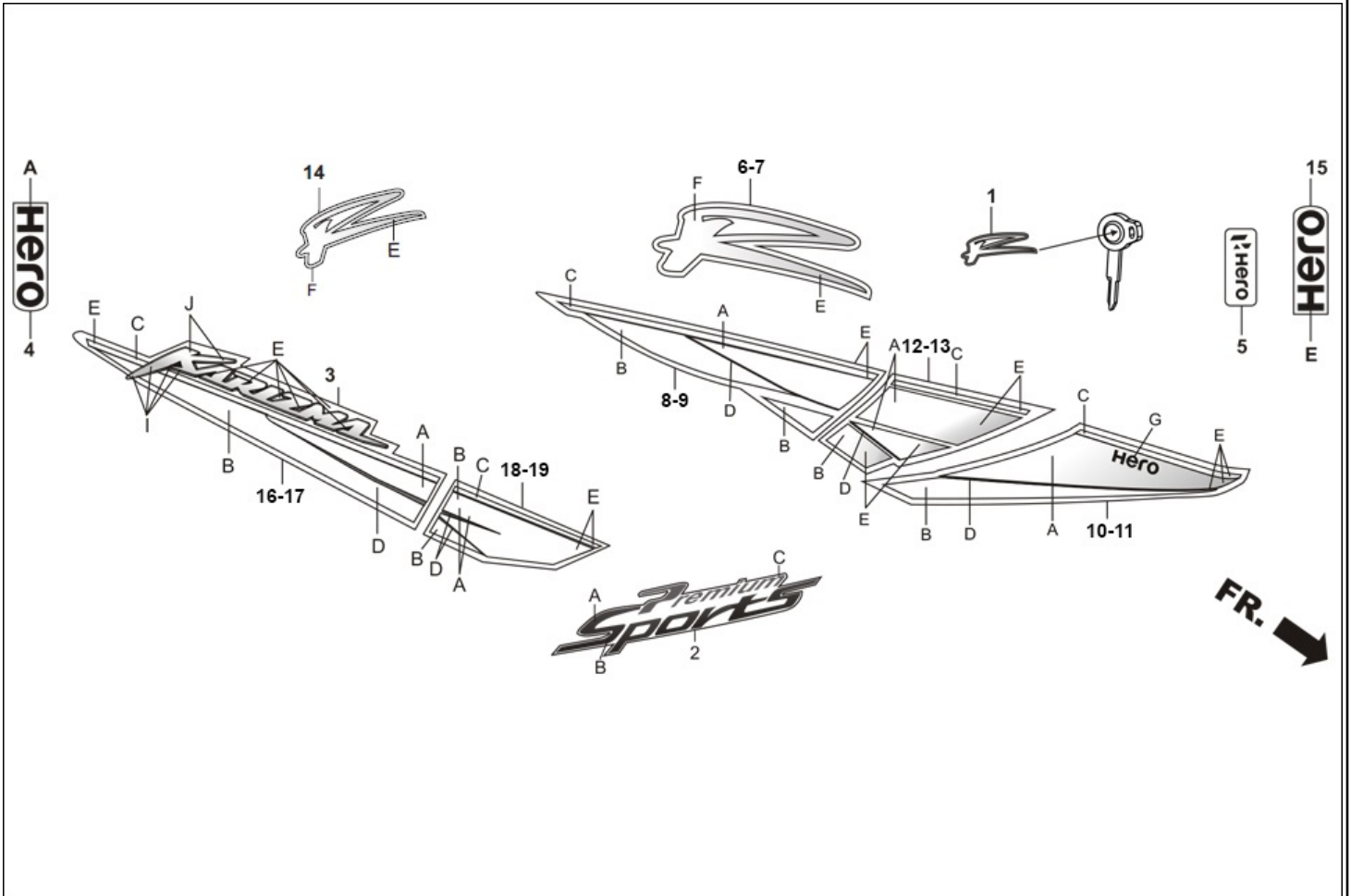
Group Number: F-27 Model :: Karizma (July, 2012)

Ref No.	Part Number	Description	Req.
4	77238-AAD-H70ZA	MARK CENTER RR COWL(TYPE-1)	1
	77238-AAD-H70ZB	MARK CENTER RR COWL(TYPE-2)	1

SPECIFIED COLOUR CHART FOR MARK, CENTER REAR COWL

SPECIFIED COLOUR TYPE	A	MAIN BODY COLOUR
1	NH-411M FORCE SILVER METALLIC	BLACK, (NH-1)
1	NH-411M FORCE SILVER METALLIC	SPORTS RED (R-321)
2	NH-1 BLACK	PEARL FADELESS WHITE (NH-341P)
1	NH-411M FORCE SILVER METALLIC	MOON YELLOW (Y-153)
1	NH-411M FORCE SILVER METALLIC	EBONY GREY METALLIC (NH-A63M)

F-27 : STRIPE / MARKS



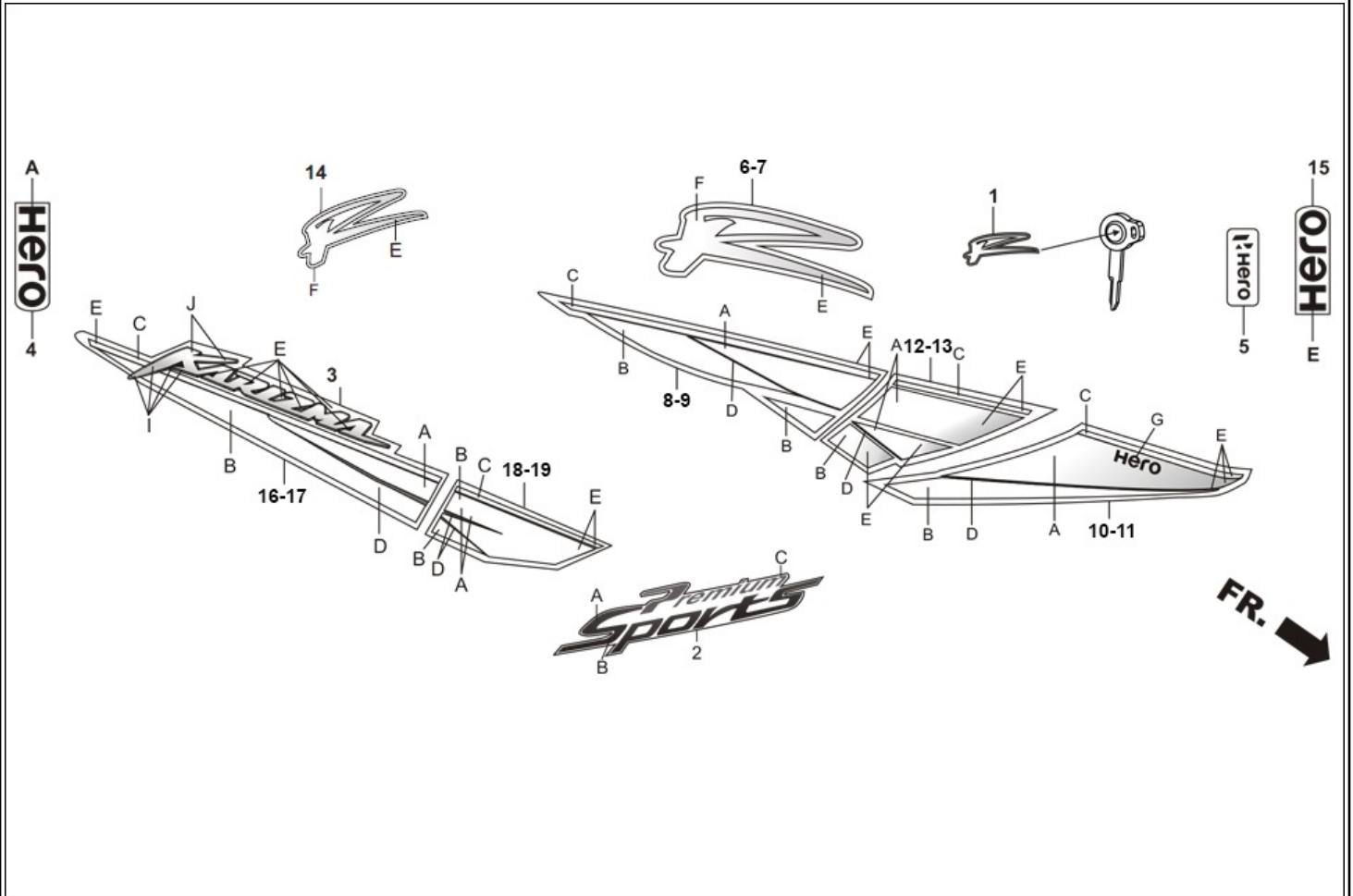
Group Number: F-27 Model :: Karizma (July, 2012)

Ref No.	Part Number	Description	Req.
5	86131-AAP-H60	EMBLEM HANDLE UP HOLDER	1

SPECIFIED COLOUR CHART FOR EMBLEM HANDLE UP HOLDER

SPECIFIED COLOUR TYPE		MAIN BODY COLOUR
		BLACK, (NH-1)
		SPORTS RED (R-321)
		PEARL FADELESS WHITE (NH-341P)
		MOON YELLOW (Y-153)
		EBONY GREY METALLIC (NH-A63M)

F-27 : STRIPE / MARKS



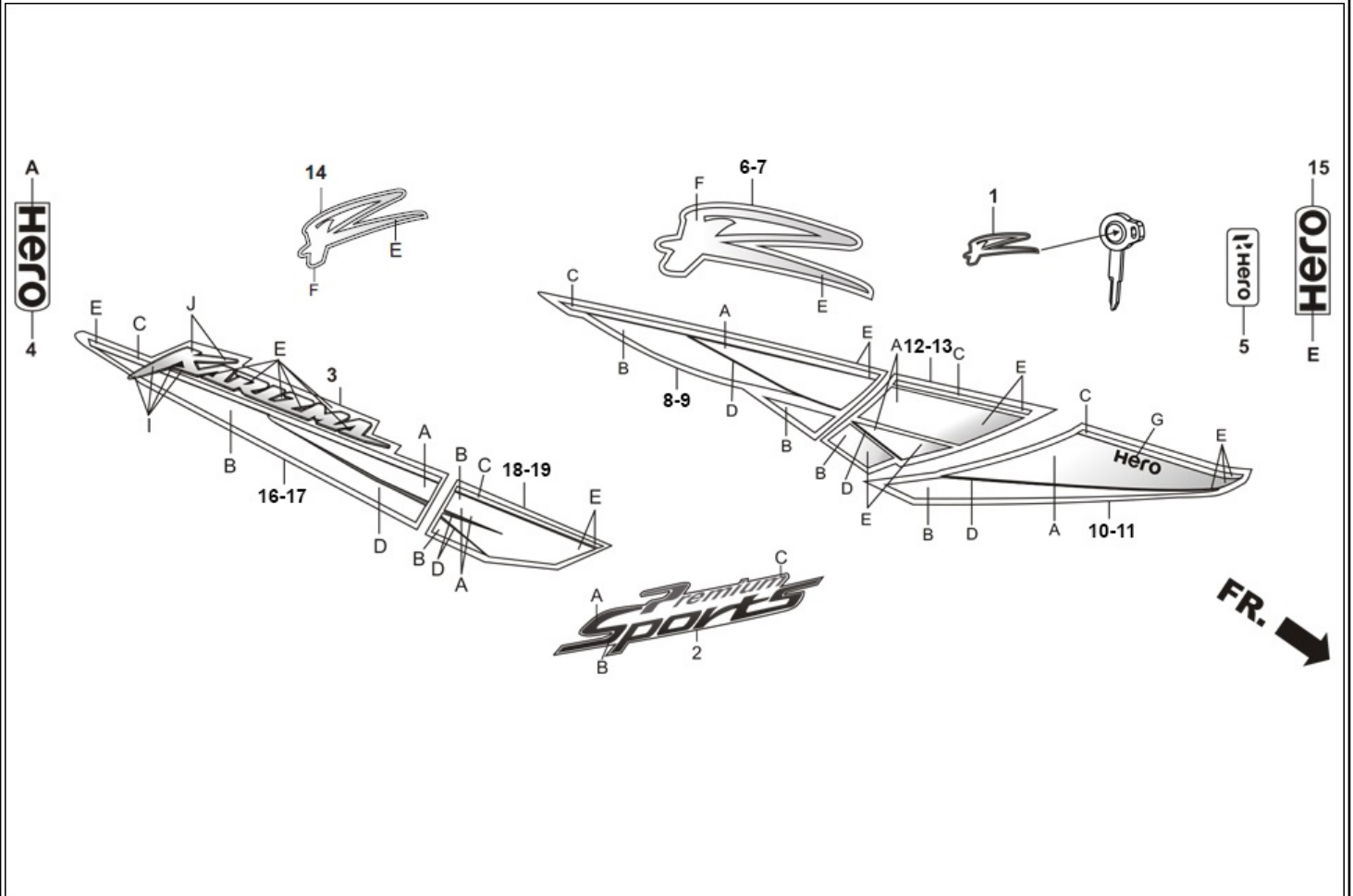
Group Number: F-27 Model :: Karizma (July, 2012)

Ref No.	Part Number	Description	Req.
6	86171-KRY-860ZA	STRIPE A, R. FUEL TANK (TYPE-1)	1
	86171-KRY-860ZB	STRIPE A, R FUEL TANK (TYPE-2)	1
	86171-KRY-860ZC	STRIPE A, R FUEL TANK (TYPE-3)	1
	86171-KRY-860ZD	STRIPE A, R FUEL TANK (TYPE-4)	1
	86171-KRY-860ZE	STRIPE A, R FUEL TANK (TYPE-5)	1

SPECIFIED COLOUR CHART FOR STRIPE A, R. FR. SIDE COWL

SPECIFIED COLOUR TYPE	A	B	C	D	E	F	G	MAIN BODY COLOUR
1	R-321 SPORTS RED	NH-262M TERRA SILVER ME	NH-411M FORCE SILVER ME	NH-1 BLACK	NH-1 BLACK	NH-411M FORCE SILVER ME	NH-411M FORCE SILVER ME	BLACK, (NH-1)
2	NH-411M FORCE SILVER ME	DARK RED	WHITE-2	NH-1 BLACK	R-321 SPORTS RED	NH-411M FORCE SILVER ME	NH-1 BLACK	SPORTS RED (R-321)
4	R-321 SPORTS RED	DARK YELLOW	NH-411M FORCE SILVER ME	NH-194 M-U HEAVY GRAY METALLIC-U	Y-153 MOON YELLOW	NH-411M FORCE SILVER ME	NH-1 BLACK	PEARL FADELESS WHITE (NH-341P)
3	R-321 SPORTS RED	NH-402M TORNADO GRAY ME	NH-142M-U METEOR GRAY METALLIC-U	NH-194 M-U HEAVY GRAY METALLIC-U	NH-341P PEARL FADELESS WHITE	NH-1 BLACK	NH-1 BLACK	MOON YELLOW (Y-153)
5	NH-262M TERRA SILVER ME	NH-1 BLACK	NH-411M FORCE SILVER ME	NH-1 BLACK	NH-A63M EBONY GRAY ME	NH-411M FORCE SILVER ME	NH-1 BLACK	EBONY GREY METALLIC (NH-A63M)

F-27 : STRIPE / MARKS



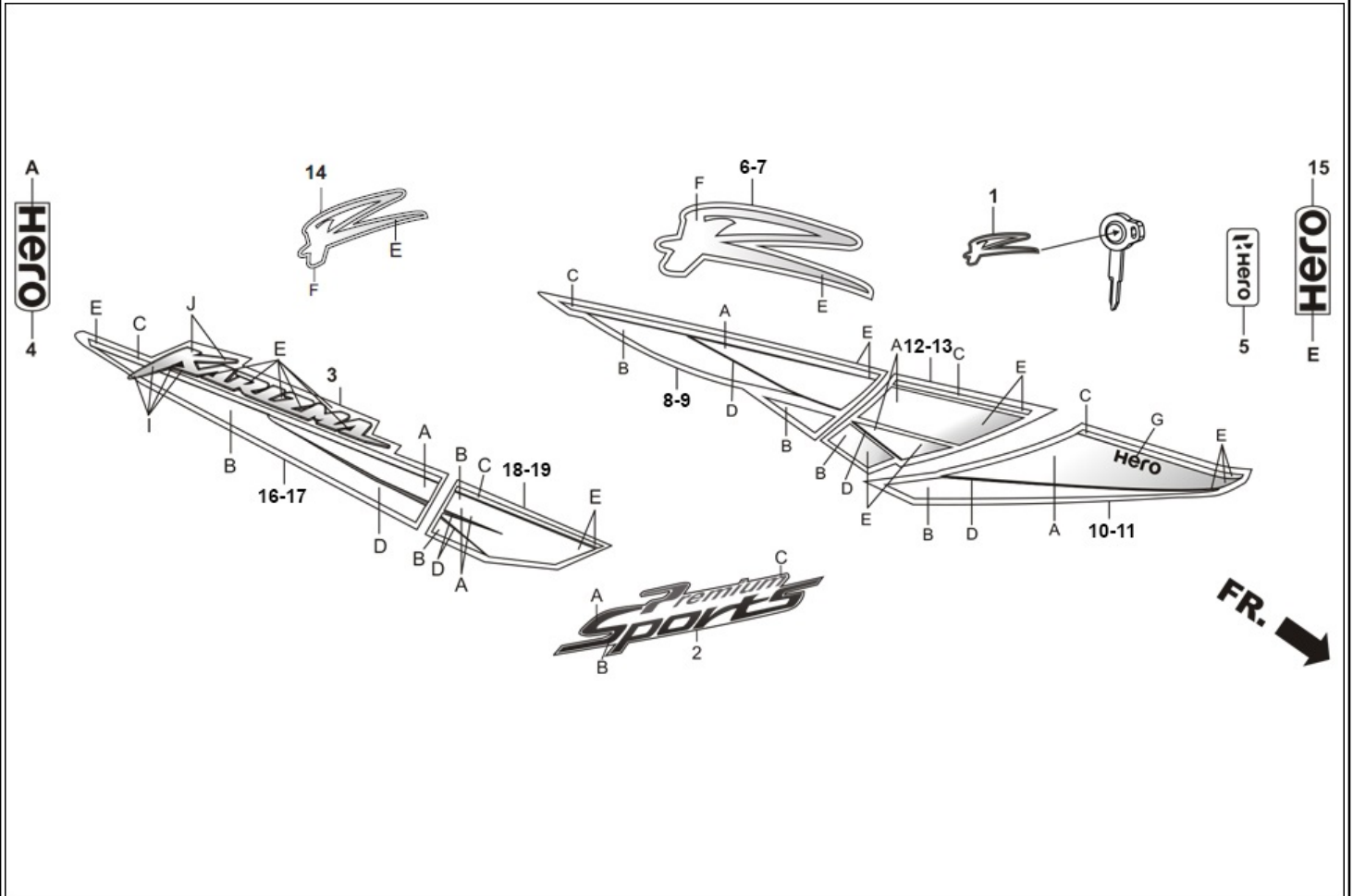
Group Number: F-27 Model :: Karizma (July, 2012)

Ref No.	Part Number	Description	Req.
7	86172-KRY-860ZA	STRIPE A, L. FUEL TANK (TYPE-1)	1
	86172-KRY-860ZB	STRIPE A, L FUEL TANK (TYPE-2)	1
	86172-KRY-860ZC	STRIPE A, L FUEL TANK (TYPE-3)	1
	86172-KRY-860ZD	STRIPE A, L FUEL TANK (TYPE-4)	1
	86172-KRY-860ZE	STRIPE A, L FUEL TANK (TYPE-5)	1

SPECIFIED COLOUR CHART FOR STRIPE A, L. FR. SIDE COWL

SPECIFIED COLOUR TYPE	A	B	C	D	E	F	G	MAIN BODY COLOUR
1	R-321 SPORTS RED	NH-262M TERRA SILVER ME	NH-411M FORCE SILVER ME	NH-1 BLACK	NH-1 BLACK	NH-411M FORCE SILVER ME	NH-411M FORCE SILVER ME	BLACK, (NH-1)
2	NH-411M FORCE SILVER ME	DARK RED	WHITE-2	NH-1 BLACK	R-321 SPORTS RED	NH-411M FORCE SILVER ME	NH-1 BLACK	SPORTS RED (R-321)
4	R-321 SPORTS RED	DARK YELLOW	NH-411M FORCE SILVER ME	NH-194 M-U HEAVY GRAY METALLIC-U	Y-153 MOON YELLOW	NH-411M FORCE SILVER ME	NH-1 BLACK	PEARL FADELESS WHITE (NH-341P)
3	R-321 SPORTS RED	NH-402M TORNADO GRAY ME	NH-402-U METEOR GRAY METALLIC-U	NH-194 M-U HEAVY GRAY METALLIC-U	NH-341P PEARL FADELESS WHITE	NH-1 BLACK	NH-1 BLACK	MOON YELLOW (Y-153)
5	NH-262M TERRA SILVER ME	NH-1 BLACK	NH-411M FORCE SILVER ME	NH-1 BLACK	NH-A63M EBONY GRAY ME	NH-411M FORCE SILVER ME	NH-1 BLACK	EBONY GREY METALLIC (NH-A63M)

F-27 : STRIPE / MARKS



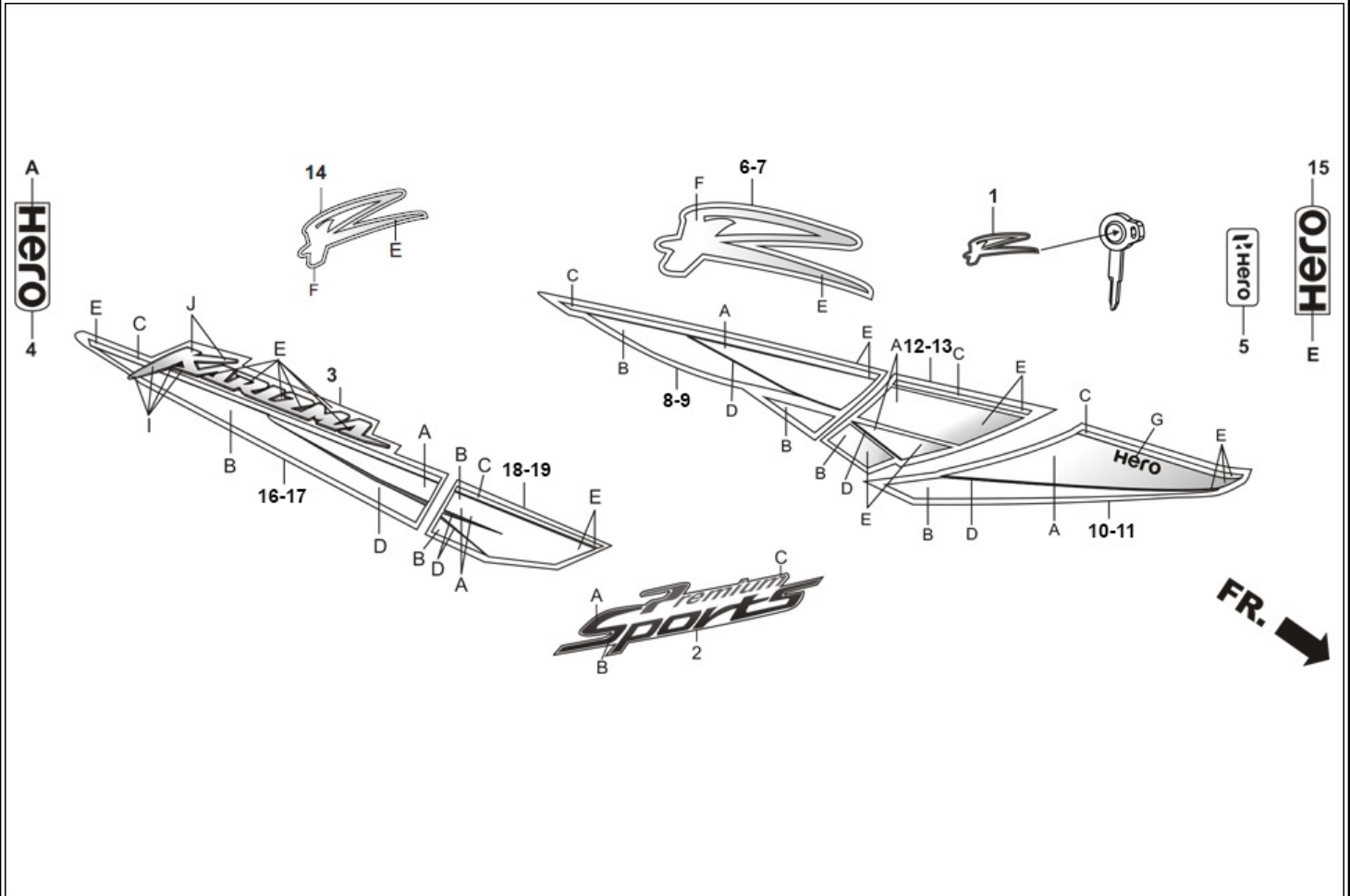
Group Number: F-27 Model :: Karizma (July, 2012)

Ref No.	Part Number	Description	Req.
8	86173-KRY-860ZA	STRIPE B, R. FUEL TANK (TYPE-1)	1
	86173-KRY-860ZB	STRIPE B, R FUEL TANK (TYPE-2)	1
	86173-KRY-860ZC	STRIPE B, R FUEL TANK (TYPE-3)	1
	86173-KRY-860ZD	STRIPE B, R FUEL TANK (TYPE-4)	1
	86173-KRY-860ZE	STRIPE B, R FUEL TANK (TYPE-5)	1

SPECIFIED COLOUR CHART FOR STRIPE B, R. FUEL TANK

SPECIFIED COLOUR TYPE	A	B	C	D	E	F	MAIN BODY COLOUR
1	R-321 SPORTS RED	NH262M TERRA SILVER ME	NH-411M FORCE SILVER ME	NH-1 BLACK	NH-1 BLACK	NH-411M FORCE SILVER ME	BLACK, (NH-1)
2	NH-411M FORCE SILVER ME	DARK RED	WHITE-2	NH-1 BLACK	R-321 SPORTS RED	NH-411M FORCE SILVER ME	SPORTS RED (R-321)
4	R-321 SPORTS RED	DARK YELLOW	NH-411M FORCE SILVER ME	NH-194M HEAVY GRAY ME	Y-153 MOON YELLOW	NH-411M FORCE SILVER ME	PEARL FADELESS WHITE (NH-341P)
3	R-321 SPORTS RED	NH-402M TORNADO GRA ME	NH-142M-U METEOR GRAY ME	NH-194M HEAVY GRAY ME	NH-341P PEARL FADELESS WHITE	NH-1 BLACK	MOON YELLOW (Y-153)
5	NH262M TERRA SILVER ME	NH-1 BLACK	NH-411M FORCE SILVER ME	NH-1 BLACK	NH-A63M EBONY GRAY ME	NH-411M FORCE SILVER ME	EBONY GREY METALLIC (NH-A63M)

F-27 : STRIPE / MARKS



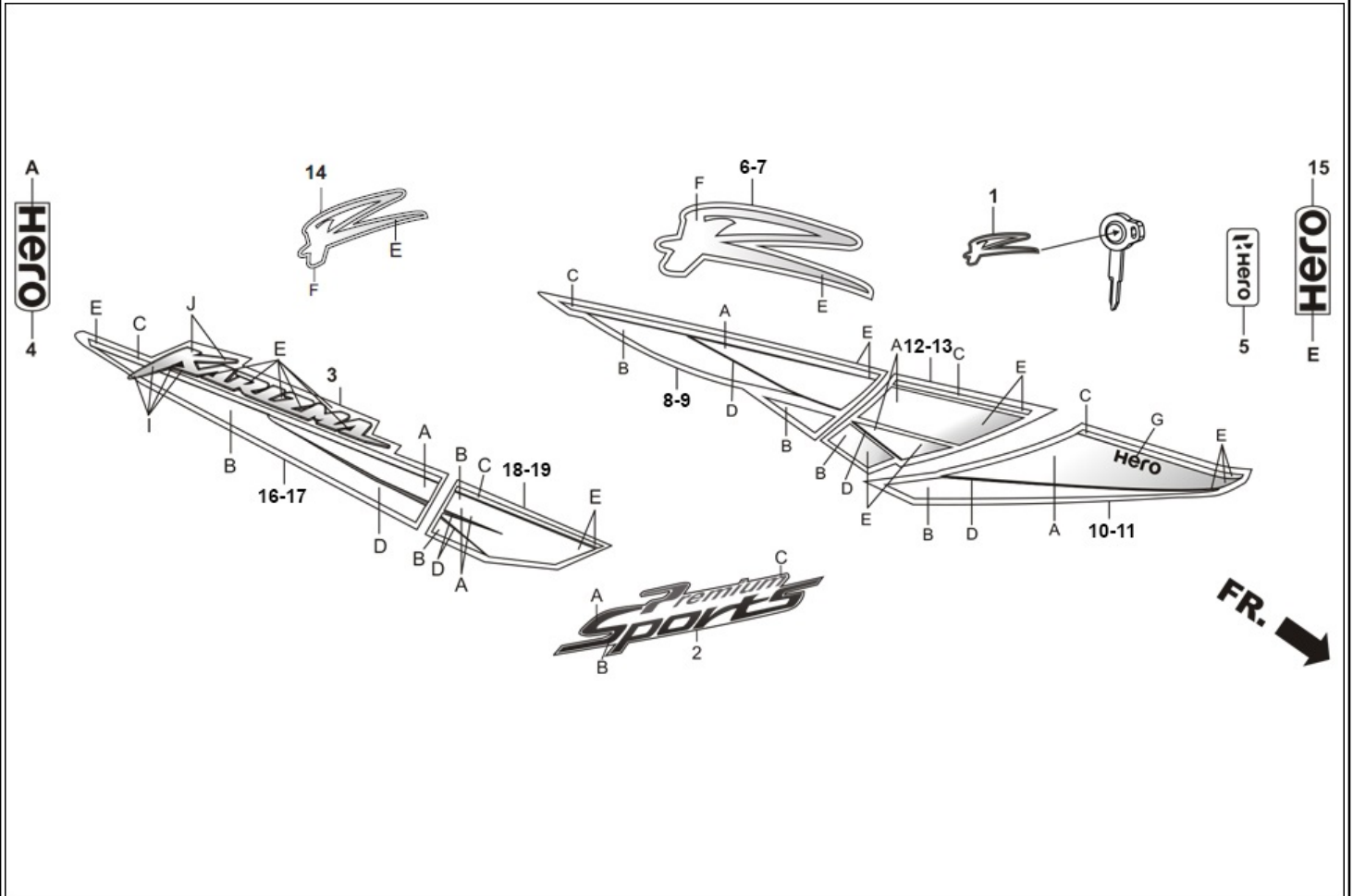
Group Number: F-27 Model :: Karizma (July, 2012)

Ref No.	Part Number	Description	Req.
9	86174-KRY-860ZA	STRIPE B, L. FUEL TANK (TYPE-1)	1
	86174-KRY-860ZB	STRIPE B, L FUEL TANK (TYPE-2)	1
	86174-KRY-860ZC	STRIPE B, L FUEL TANK (TYPE-3)	1
	86174-KRY-860ZD	STRIPE B, L FUEL TANK (TYPE-4)	1
	86174-KRY-860ZE	STRIPE B, L FUEL TANK (TYPE-5)	1

SPECIFIED COLOUR CHART FOR STRIPE B, L. FUEL TANK

SPECIFIED COLOUR TYPE	A	B	C	D	E	F	MAIN BODY COLOUR
1	R-321 SPORTS RED	NH262M TERRA SILVER ME	NH-411M FORCE SILVER ME	NH-1 BLACK	NH-1 BLACK	NH-411M FORCE SILVER ME	BLACK, (NH-1)
2	NH-411M FORCE SILVER ME	DARK RED	WHITE-2	NH-1 BLACK	R-321 SPORTS RED	NH-411M FORCE SILVER ME	SPORTS RED (R-321)
4	R-321 SPORTS RED	DARK YELLOW	NH-411M FORCE SILVER ME	NH-194M HEAVY GRAY ME	Y-153 MOON YELLOW	NH-411M FORCE SILVER ME	PEARL FADELESS WHITE (NH-341P)
3	R-321 SPORTS RED	NH-402M TORNADO GRA ME	NH-142M-U METEOR GRAY ME	NH-194M HEAVY GRAY ME	NH-341P PEARL FADELESS WHITE	NH-1 BLACK	MOON YELLOW (Y-153)
5	NH262M TERRA SILVER ME	NH-1 BLACK	NH-411M FORCE SILVER ME	NH-1 BLACK	NH-A63M EBONY GRAY ME	NH-411M FORCE SILVER ME	EBONY GREY METALLIC (NH-A63M)

F-27 : STRIPE / MARKS



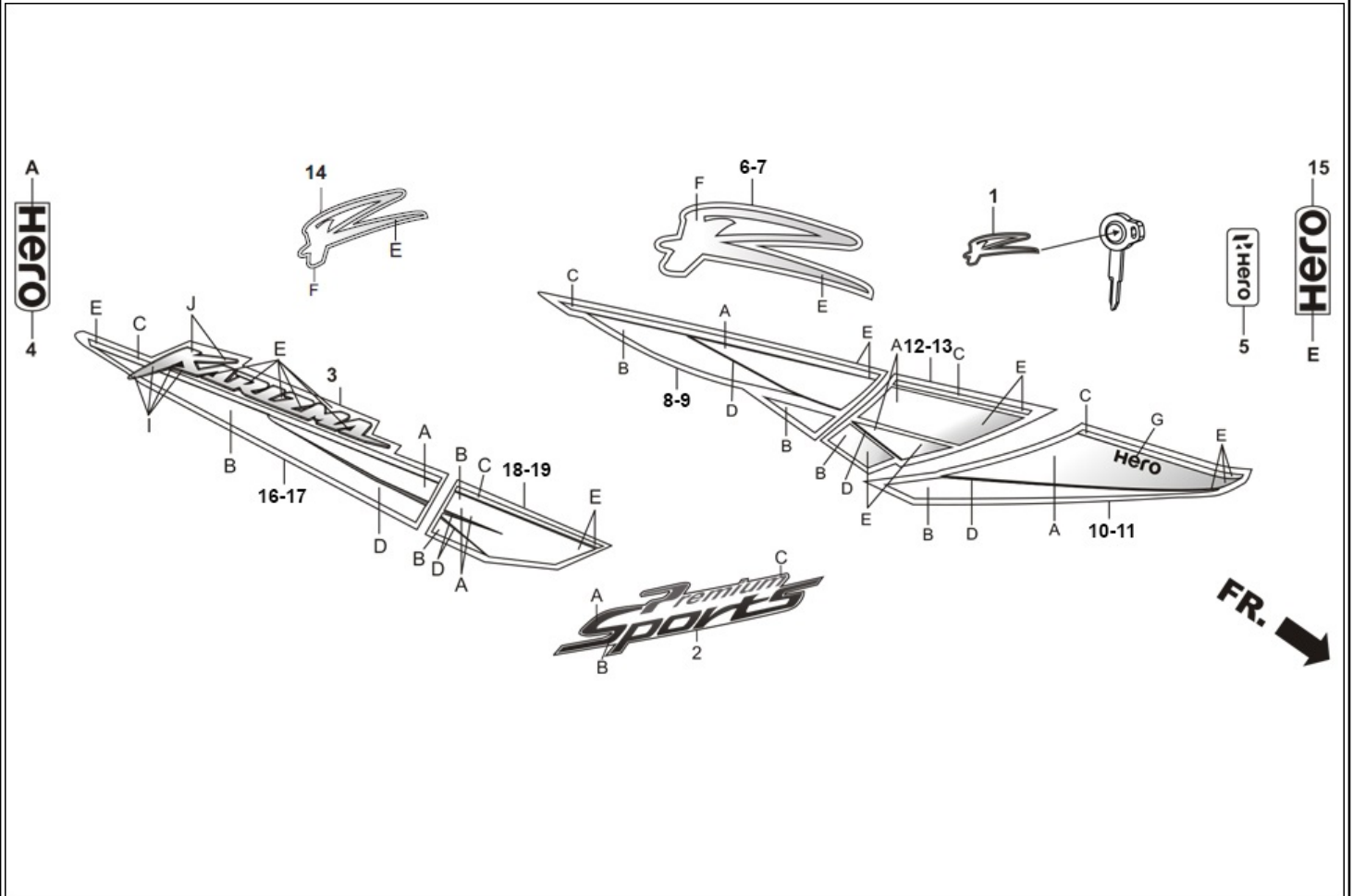
Group Number: F-27 Model :: Karizma (July, 2012)

Ref No.	Part Number	Description	Req.
10	86641-AAP-H60ZA	STRIPE A R FR SIDE COWL(TYPE-1)	1
	86641-AAP-H60ZB	STRIPE A R FR SIDE COWL(TYPE-2)	1
	86641-AAP-H60ZC	STRIPE A R FR SIDE COWL(TYPE-3)	1
	86641-AAP-H60ZD	STRIPE A R FR SIDE COWL(TYPE-4)	1
	86641-AAP-H60ZE	STRIPE A R FR SIDE COWL(TYPE-5)	1

SPECIFIED COLOUR CHART FOR STRIPE A, R, FR. SIDE COWL

SPECIFIED COLOUR TYPE	A	B	C	D	E	F	G	MAIN BODY COLOUR
1	R-321 SPORTS RED	NH-262M TERRA SILVER ME	NH-411M FORCE SILVER ME	NH-1 BLACK	NH-1 BLACK	NH-411M FORCE SILVER ME	NH-411M FORCE SILVER ME	BLACK, (NH-1)
2	NH-411M FORCE SILVER ME	DARK RED	WHITE-2	NH-1 BLACK	R-321 SPORTS RED	NH-411M FORCE SILVER ME	NH-1 BLACK	SPORTS RED (R-321)
4	R-321 SPORTS RED	DARK YELLOW	NH-411M FORCE SILVER ME	NH-194 M-U HEAVY GRAY METALLIC-U	Y-153 MOON YELLOW	NH-411M FORCE SILVER ME	NH-1 BLACK	PEARL FADELESS WHITE (NH-341P)
3	R-321 SPORTS RED	NH-402M TORNADO GRAY ME	NH-142M-U METEOR GRAY METALLIC-U	NH-194 M-U HEAVY GRAY METALLIC-U	NH-341P PEARL FADELESS WHITE	NH-1 BLACK	NH-1 BLACK	MOON YELLOW (Y-153)
5	NH-262M TERRA SILVER ME	NH-1 BLACK	NH-411M FORCE SILVER ME	NH-1 BLACK	NH-A63M EBONY GRAY ME	NH-411M FORCE SILVER ME	NH-1 BLACK	EBONY GREY METALLIC (NH-A63M)

F-27 : STRIPE / MARKS



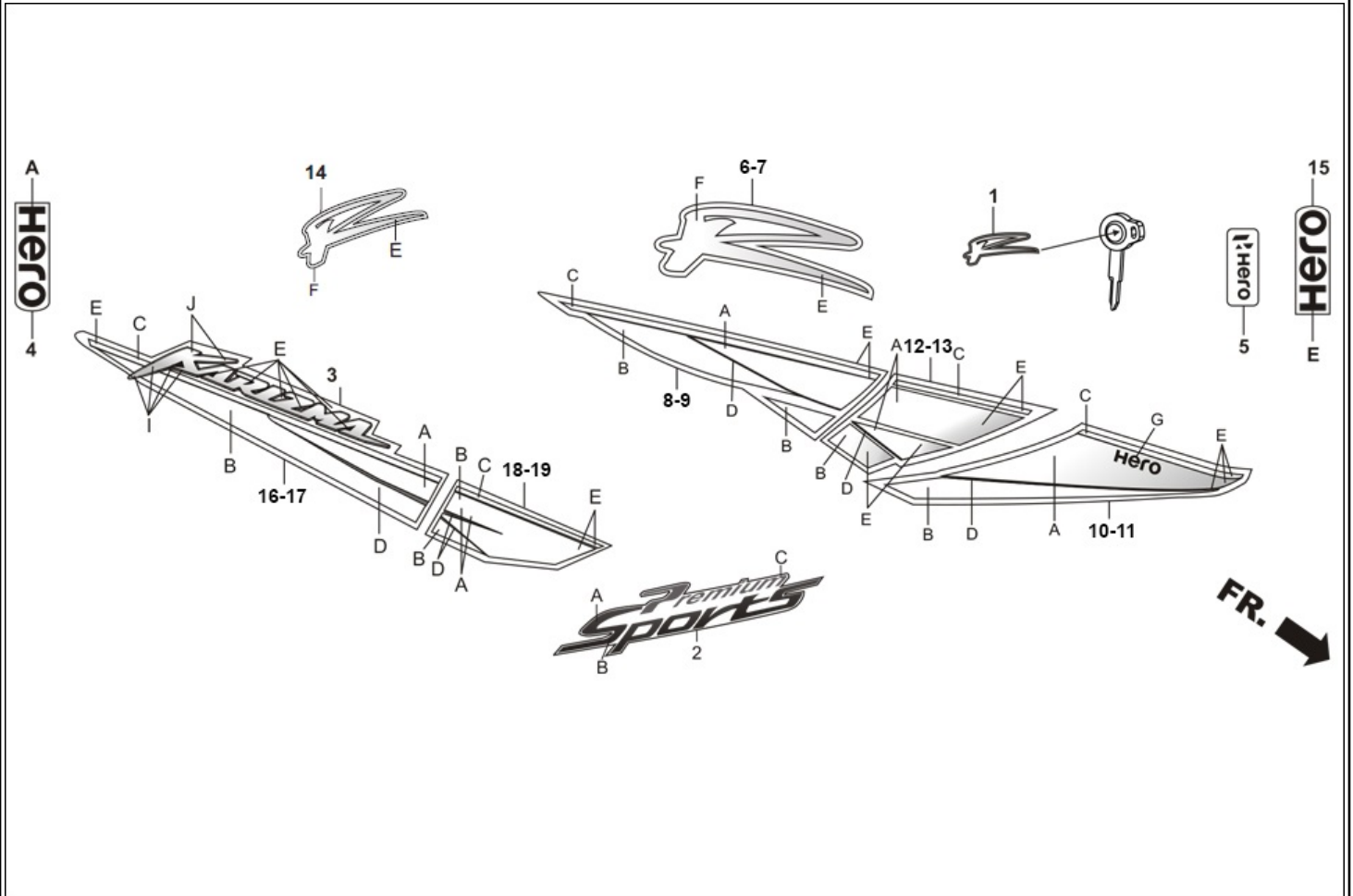
Group Number: F-27 Model :: Karizma (July, 2012)

Ref No.	Part Number	Description	Req.
11	86642-AAP-H60ZA	STRIPE A L FR SIDE COWL(TYPE-1)	1
	86642-AAP-H60ZB	STRIPE A L FR SIDE COWL(TYPE-2)	1
	86642-AAP-H60ZC	STRIPE A L FR SIDE COWL(TYPE-3)	1
	86642-AAP-H60ZD	STRIPE A L FR SIDE COWL(TYPE-4)	1
	86642-AAP-H60ZE	STRIPE A L FR SIDE COWL(TYPE-5)	1

SPECIFIED COLOUR CHART FOR STRIPE A, L. FR. SIDE COWL

SPECIFIED COLOUR TYPE	A	B	C	D	E	F	G	MAIN BODY COLOUR
1	R-321 SPORTS RED	NH-262M TERRA SILVER ME	NH-411M FORCE SILVER ME	NH-1 BLACK	NH-1 BLACK	NH-411M FORCE SILVER ME	NH-411M FORCE SILVER ME	BLACK, (NH-1)
2	NH-411M FORCE SILVER ME	DARK RED	WHITE-2	NH-1 BLACK	R-321 SPORTS RED	NH-411M FORCE SILVER ME	NH-1 BLACK	SPORTS RED (R-321)
4	R-321 SPORTS RED	DARK YELLOW	NH-411M FORCE SILVER ME	NH-194 M-U HEAVY GRAY METALLIC-U	Y-153 MOON YELLOW	NH-411M FORCE SILVER ME	NH-1 BLACK	PEARL FADELESS WHITE (NH-341P)
3	R-321 SPORTS RED	NH-402M TORNADO GRAY ME	NH-402-U METEOR GRAY METALLIC-U	NH-194 M-U HEAVY GRAY METALLIC-U	NH-341P PEARL FADELESS WHITE	NH-1 BLACK	NH-1 BLACK	MOON YELLOW (Y-153)
5	NH-262M TERRA SILVER ME	NH-1 BLACK	NH-411M FORCE SILVER ME	NH-1 BLACK	NH-A63M EBONY GRAY ME	NH-411M FORCE SILVER ME	NH-1 BLACK	EBONY GREY METALLIC (NH-A63M)

F-27 : STRIPE / MARKS



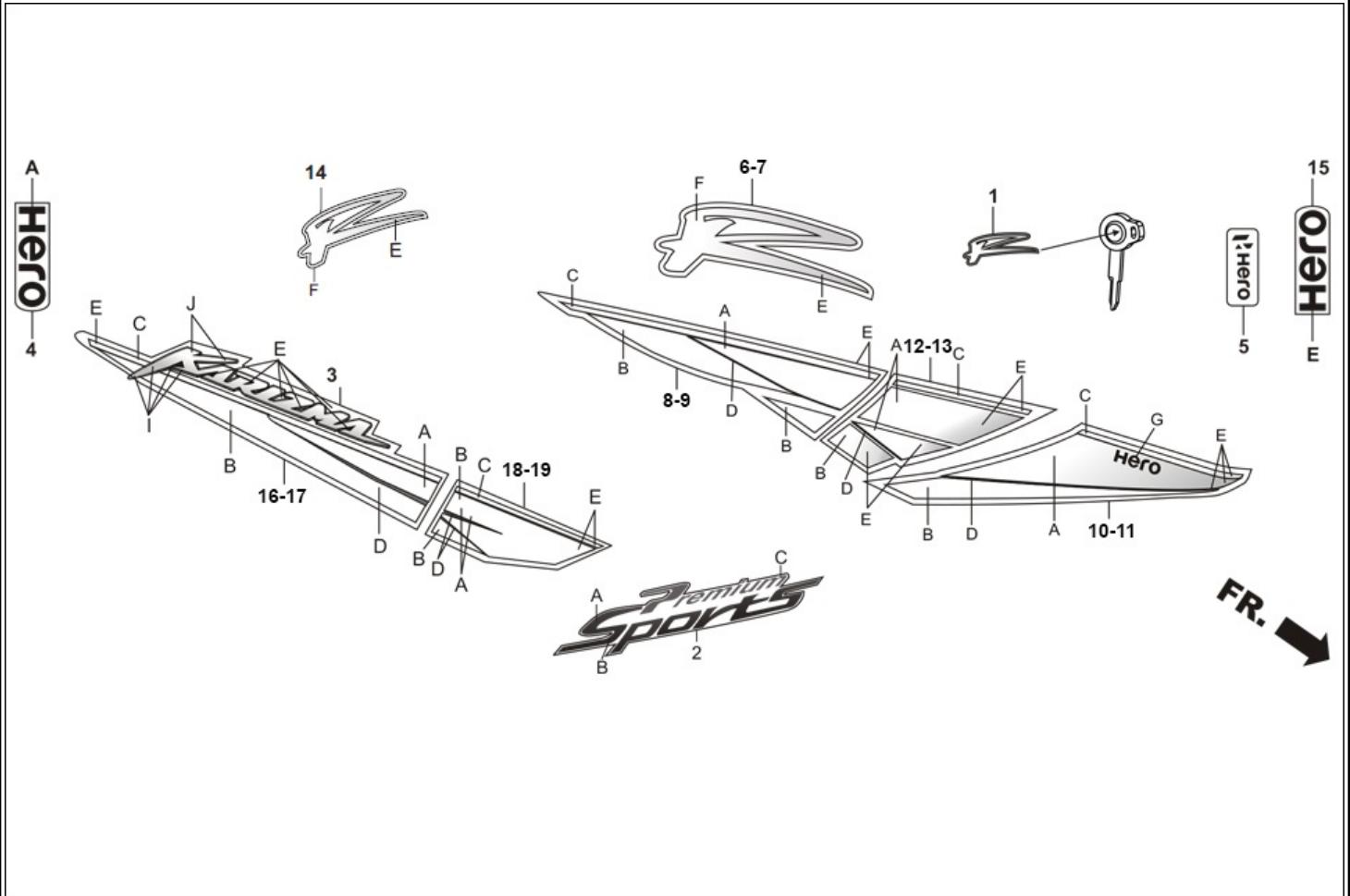
Group Number: F-27 Model :: Karizma (July, 2012)

Ref No.	Part Number	Description	Req.
12	86643-KRY-860ZA	STRIPE B, R. FR. SIDE COWL (TYPE-1)	1
	86643-KRY-860ZB	STRIPE B, R FR SIDE COWL (TYPE-2)	1
	86643-KRY-860ZC	STRIPE B, R FR SIDE COWL (TYPE-3)	1
	86643-KRY-860ZD	STRIPE B, R FR SIDE COWL (TYPE-4)	1
	86643-KRY-860ZE	STRIPE B, R FR SIDE COWL (TYPE-5)	1

SPECIFIED COLOUR CHART FOR STRIPE B, R. FR. SIDE COWL

SPECIFIED COLOUR TYPE	A	B	C	D	E	F	G	MAIN BODY COLOUR
1	R-321 SPORTS RED NH-411M FORCE SILVER ME	NH-262M TERRA SILVER ME	NH-411M FORCE SILVER ME	NH-1 BLACK	NH-1 BLACK	NH-411M FORCE SILVER ME	NH-411M FORCE SILVER ME	BLACK, (NH-1)
2	R-321 SPORTS RED NH-411M FORCE SILVER ME	DARK RED	WHITE-2	NH-1 BLACK	R-321 SPORTS RED	NH-411M FORCE SILVER ME	NH-1 BLACK	SPORTS RED (R-321)
4	R-321 SPORTS RED	DARK YELLOW	NH-411M FORCE SILVER ME	NH-194 M-U HEAVY GRAY METALLIC-U	Y-153 MOON YELLOW	NH-411M FORCE SILVER ME	NH-1 BLACK	PEARL FADELESS WHITE (NH-341P)
3	R-321 SPORTS RED	NH-402M TORNADO GRAY ME	NH-402-U METEOR GRAY METALLIC-U NH-411M FORCE SILVER ME	NH-194 M-U HEAVY GRAY METALLIC-U	NH-341P PEARL FADELESS WHITE	NH-1 BLACK	NH-1 BLACK	MOON YELLOW (Y-153)
5	NH-262M TERRA SILVER ME	NH-1 BLACK	NH-411M FORCE SILVER ME	NH-1 BLACK	NH-A63M EBONY GRAY ME	NH-411M FORCE SILVER ME	NH-1 BLACK	EBONY GREY METALLIC (NH-A63M)

F-27 : STRIPE / MARKS



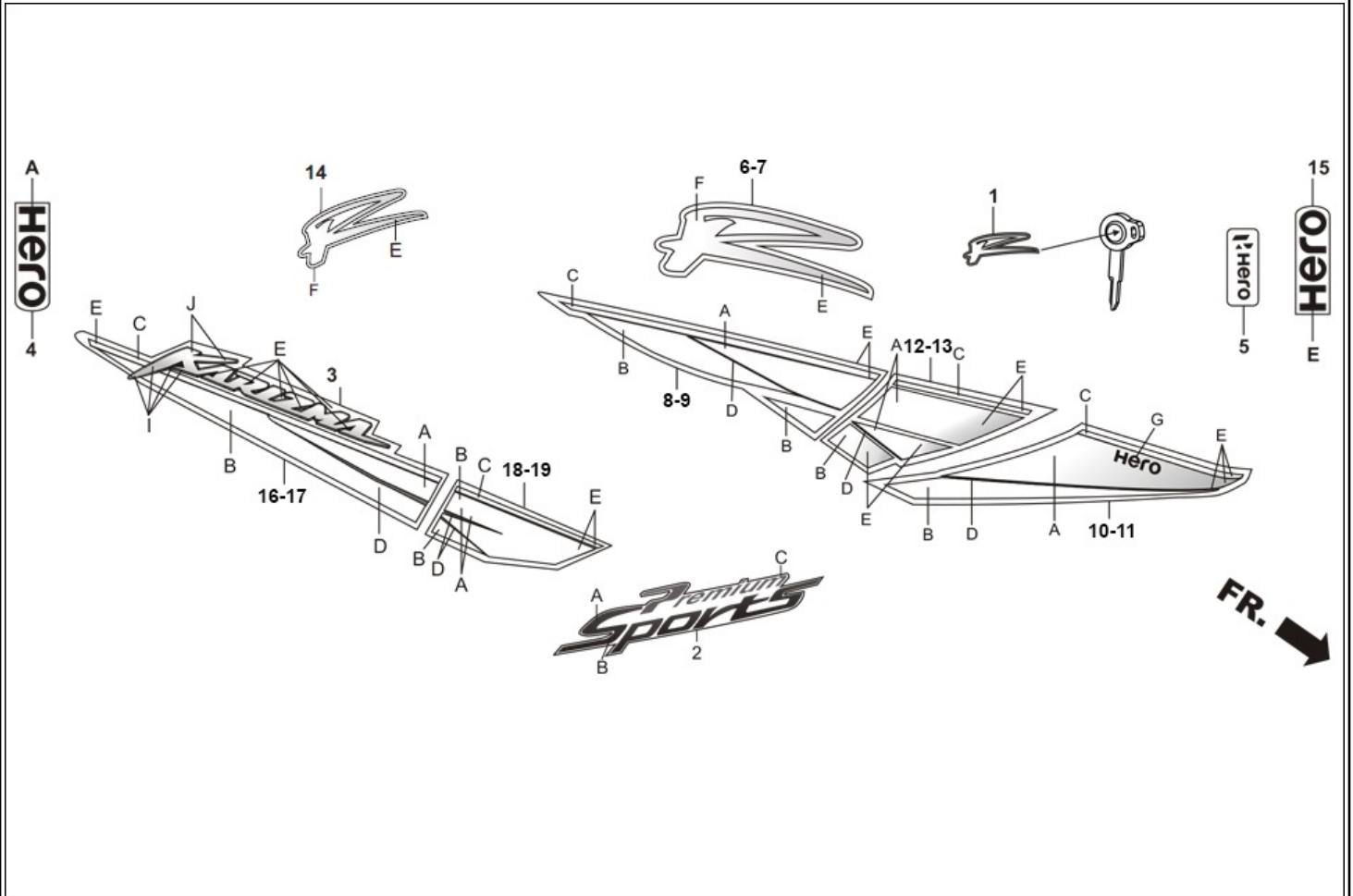
Group Number: F-27 Model :: Karizma (July, 2012)

Ref No.	Part Number	Description	Req.
13	86644-KRY-860ZA	STRIPE B, L. FR. SIDE COWL (TYPE-1)	1
	86644-KRY-860ZB	STRIPE B, L FR SIDE COWL (TYPE-2)	1
	86644-KRY-860ZC	STRIPE B, L FR SIDE COWL (TYPE-3)	1
	86644-KRY-860ZD	STRIPE B, L FR SIDE COWL (TYPE-4)	1
	86644-KRY-860ZE	STRIPE B, L FR SIDE COWL (TYPE-5)	1

SPECIFIED COLOUR CHART FOR STRIPE B, L. FR. SIDE COWL

SPECIFIED COLOUR TYPE	A	B	C	D	E	F	G	MAIN BODY COLOUR
1	R-321 SPORTS RED	NH-262M TERRA SILVER ME	NH-411M FORCE SILVER ME	NH-1 BLACK	NH-1 BLACK	NH-411M FORCE SILVER ME	NH-411M FORCE SILVER ME	BLACK, (NH-1)
2	NH-411M FORCE SILVER ME	DARK RED	WHITE-2	NH-1 BLACK	R-321 SPORTS RED	NH-411M FORCE SILVER ME	NH-1 BLACK	SPORTS RED (R-321)
4	R-321 SPORTS RED	DARK YELLOW	NH-411M FORCE SILVER ME	NH-194 M-U HEAVY GRAY METALLIC-U	Y-153 MOON YELLOW	NH-411M FORCE SILVER ME	NH-1 BLACK	PEARL FADELESS WHITE (NH-341P)
3	R-321 SPORTS RED	NH-402M TORNADO GRAY ME	NH-402-U METEOR GRAY METALLIC-U	NH-194 M-U HEAVY GRAY METALLIC-U	NH-341P PEARL FADELESS WHITE	NH-1 BLACK	NH-1 BLACK	MOON YELLOW (Y-153)
5	NH-262M TERRA SILVER ME	NH-1 BLACK	NH-411M FORCE SILVER ME	NH-1 BLACK	NH-A63M EBONY GRAY ME	NH-411M FORCE SILVER ME	NH-1 BLACK	EBONY GREY METALLIC (NH-A63M)

F-27 : STRIPE / MARKS



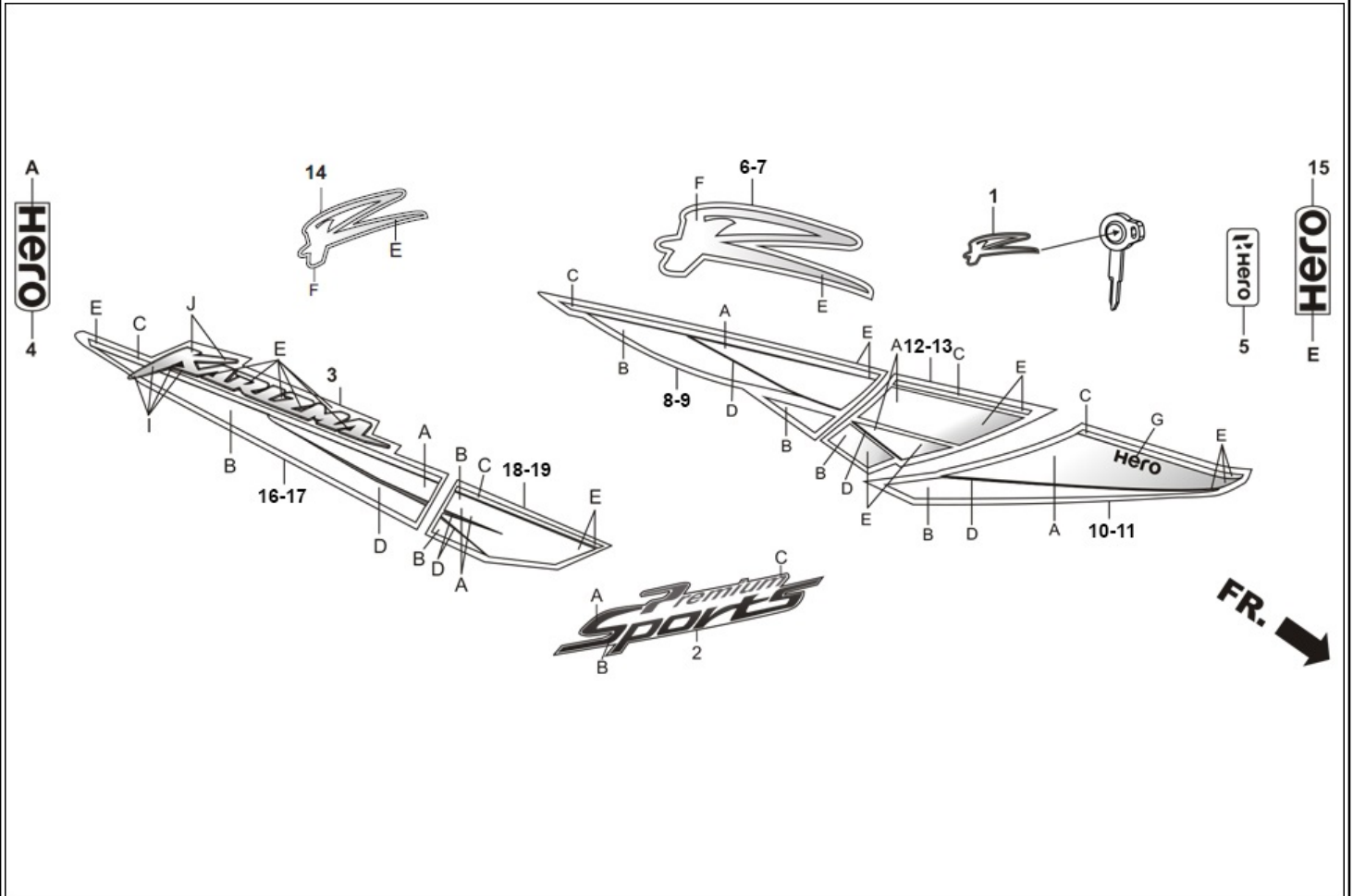
Group Number: F-27 Model :: Karizma (July, 2012)

Ref No.	Part Number	Description	Req.
14	86645-KRY-860ZA	STRIPE C, FR. SIDE COWL (TYPE-1)	1
	86645-KRY-860ZB	STRIPE C, FR SIDE COWL (TYPE-2)	1
	86645-KRY-860ZC	STRIPE C, FR SIDE COWL (TYPE-3)	1
	86645-KRY-860ZD	STRIPE C, FR SIDE COWL (TYPE-4)	1
	86645-KRY-860ZE	STRIPE C, FR SIDE COWL (TYPE-5)	1

SPECIFIED COLOUR CHART FOR STRIPE C, FR. SIDE COWL

SPECIFIED COLOUR TYPE	A	B	C	D	E	F	G	MAIN BODY COLOUR
1	R-321 SPORTS RED	NH-262M TERRA SILVER ME	NH-411M FORCE SILVER ME	NH-1 BLACK	NH-1 BLACK	NH-411M FORCE SILVER ME	NH-411M FORCE SILVER ME	BLACK, (NH-1)
2	NH-411M FORCE SILVER ME	DARK RED	WHITE-2	NH-1 BLACK	R-321 SPORTS RED	NH-411M FORCE SILVER ME	NH-1 BLACK	SPORTS RED (R-321)
4	R-321 SPORTS RED	DARK YELLOW	NH-411M FORCE SILVER ME	NH-194 M-U HEAVY GRAY METALLIC-U	Y-153 MOON YELLOW	NH-411M FORCE SILVER ME	NH-1 BLACK	PEARL FADELESS WHITE (NH-341P)
3	R-321 SPORTS RED	NH-402M TORNADO GRAY ME	NH-402-U METEOR GRAY METALLIC-U	NH-194 M-U HEAVY GRAY METALLIC-U	NH-341P PEARL FADELESS WHITE	NH-1 BLACK	NH-1 BLACK	MOON YELLOW (Y-153)
5	NH-262M TERRA SILVER ME	NH-1 BLACK	NH-411M FORCE SILVER ME	NH-1 BLACK	NH-A63M EBONY GRAY ME	NH-411M FORCE SILVER ME	NH-1 BLACK	EBONY GREY METALLIC (NH-A63M)

F-27 : STRIPE / MARKS



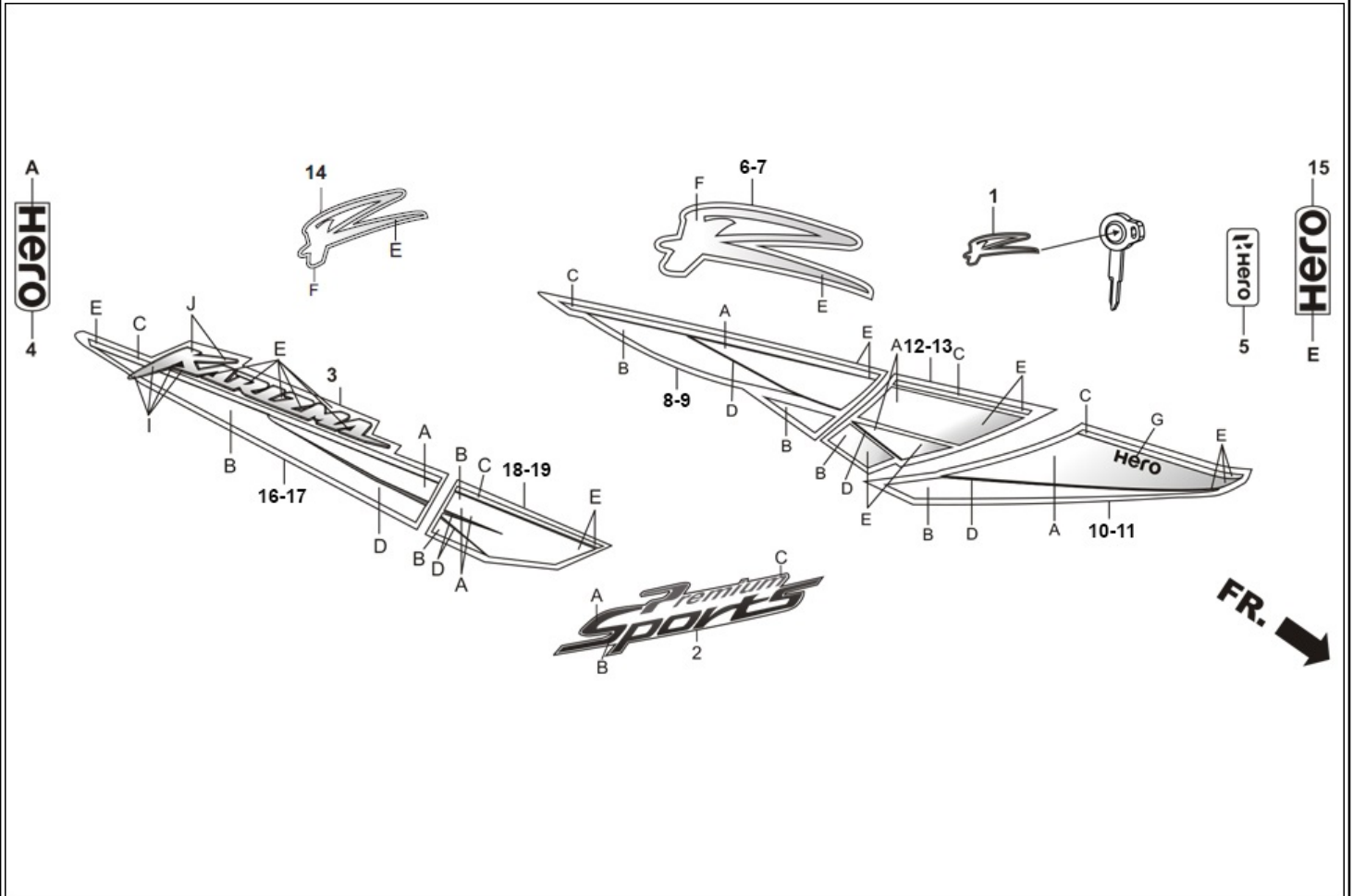
Group Number: F-27 Model :: Karizma (July, 2012)

Ref No.	Part Number	Description	Req.
15	86645-AAN-H20	MARK, WIND SCREEN	1

SPECIFIED COLOUR CHART FOR STRIPE LEFT, SIDE COVER A

SPECIFIED COLOUR TYPE	A	F	MAIN BODY COLOUR
1	NH-194M-U HEAVY GRAY METALLIC -U	NH-B08M PANTHER BLACK METALLIC	PANTHER BLACK METALLIC (NH-B08M)
2	MAROON METALLIC	R-321 SPORTS RED	PEARL FADELESS WHITE (NH-341P)
2	PERSIMON ORANGE	YR-250 VIBRANT ORANGE	VIBRANT ORANGE (YR-250)

F-27 : STRIPE / MARKS



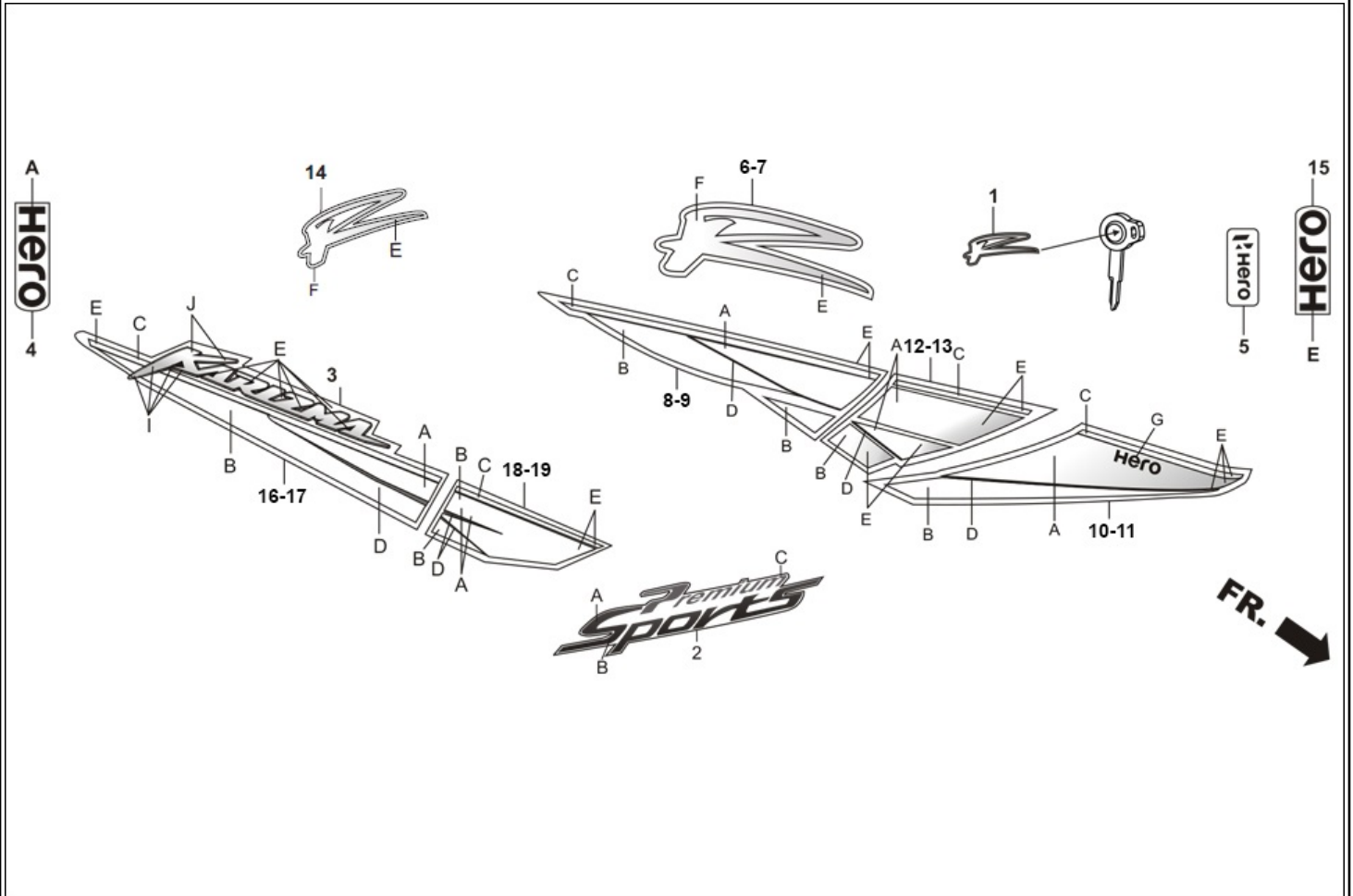
Group Number: F-27 Model :: Karizma (July, 2012)

Ref No.	Part Number	Description	Req.
16	86771-KRY-860ZA	STRIPE R. REAR COWL (TYPE-1)	1
	86771-KRY-860ZB	STRIPE R REAR COWL (TYPE-2)	1
	86771-KRY-860ZC	STRIPE R REAR COWL (TYPE-3)	1
	86771-KRY-860ZD	STRIPE R REAR COWL (TYPE-4)	1
	86771-KRY-860ZE	STRIPE R REAR COWL (TYPE-5)	1

SPECIFIED COLOUR CHART FOR STRIPE R. REAR COWL

SPECIFIED COLOUR TYPE	A	B	C	D	E	MAIN BODY COLOUR
1	R-321 SPORTS RED	NH-262 M TERRA SILVER ME.	NH-411M FORCE SILVER ME.	NH-1 BLACK	NH-1 BLACK	BLACK, (NH-1)
2	NH-411M FORCE SILVER ME.	DARK RED	WHITE-2	NH-1 BLACK	R-321 SPORTS RED	SPORTS RED (R-321)
4	R-321 SPORTS RED	DARK YELLOW	NH-411M FORCE SILVER ME.	NH-194M-U HEAVY GRAY METALLIC-U	Y-153 MOON YELLOW	PEARL FADELESS WHITE (NH-341P)
3	R-321 SPORTS RED	NH-402M TORNADO GRAY ME	NH-142 M-U METEOR GRAY ME	NH-194M-U HEAVY GRAY METALLIC-U	NH-341 P PEARL FADELESS WHITE	MOON YELLOW (Y-153)
5	NH-262 M TERRA SILVER ME.	NH-1 BLACK	NH-411M FORCE SILVER ME.	NH-1 BLACK	NH-A63 M EBONY GRAY METALLIC	EBONY GREY METALLIC (NH-A63M)

F-27 : STRIPE / MARKS



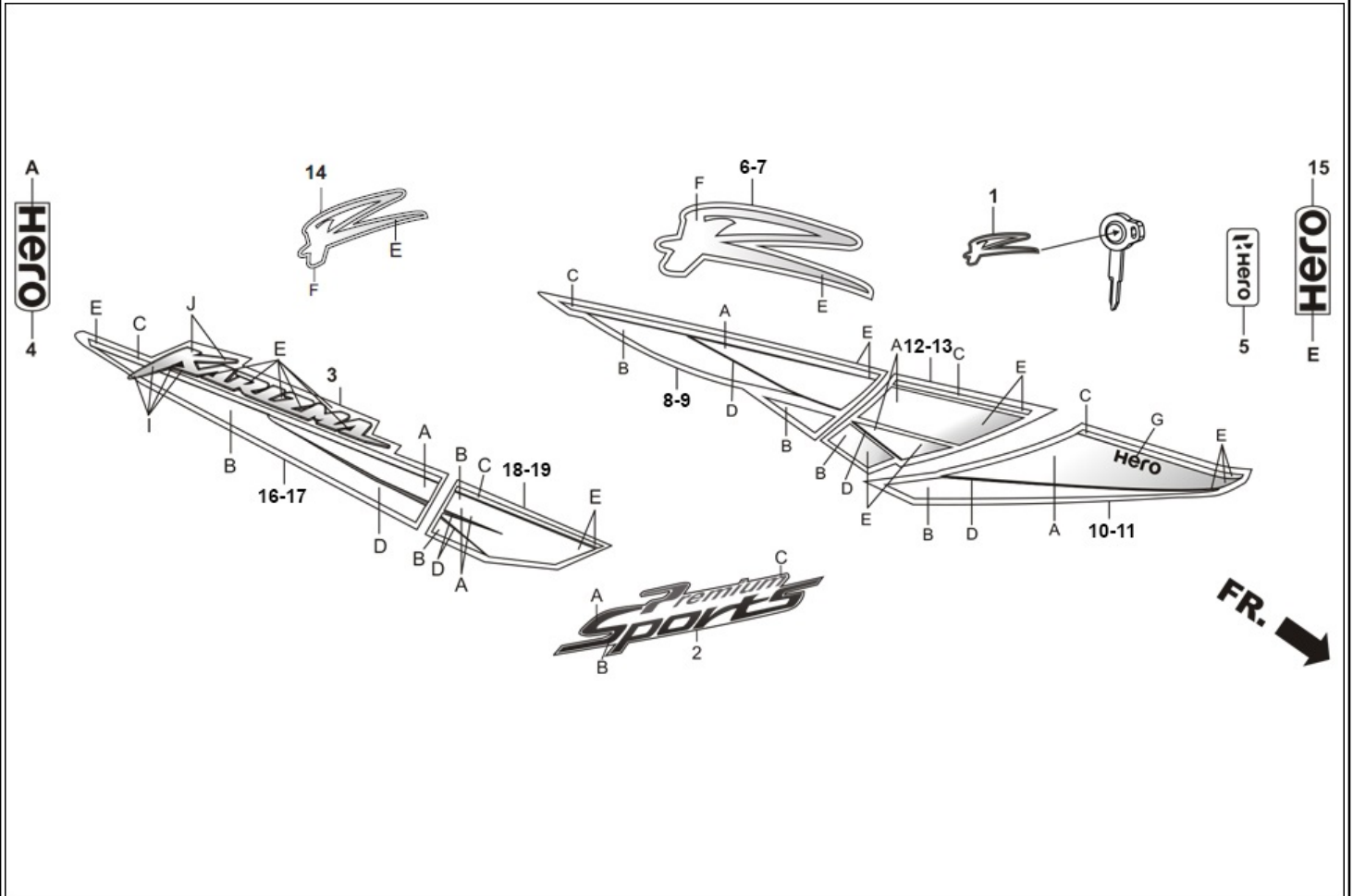
Group Number: F-27 Model :: Karizma (July, 2012)

Ref No.	Part Number	Description	Req.
17	86772-KRY-860ZA	STRIPE L. REAR COWL (TYPE-1)	1
	86772-KRY-860ZB	STRIPE L REAR COWL (TYPE-2)	1
	86772-KRY-860ZC	STRIPE L REAR COWL (TYPE-3)	1
	86772-KRY-860ZD	STRIPE L REAR COWL (TYPE-4)	1
	86772-KRY-860ZE	STRIPE L REAR COWL (TYPE-5)	1

SPECIFIED COLOUR CHART FOR STRIPE L. REAR COWL

SPECIFIED COLOUR TYPE	A	B	C	D	E	MAIN BODY COLOUR
1	R-321 SPORTS RED	NH-262 M TERRA SILVER ME.	NH-411M FORCE SILVER ME.	NH-1 BLACK	NH-1 BLACK	BLACK, (NH-1)
2	NH-411M FORCE SILVER ME.	DARK RED	WHITE-2	NH-1 BLACK	R-321 SPORTS RED	SPORTS RED (R-321)
4	R-321 SPORTS RED	DARK YELLOW	NH-411M FORCE SILVER ME.	NH-194M-U HEAVY GRAY METALLIC-U	Y-153 MOON YELLOW	PEARL FADELESS WHITE (NH-341P)
3	R-321 SPORTS RED	NH-402M TORNADO GRAY ME	NH-142 M-U METEOR GRAY ME	NH-194M-U HEAVY GRAY METALLIC-U	NH-341 P PEARL FADELESS WHITE	MOON YELLOW (Y-153)
5	NH-262 M TERRA SILVER ME.	NH-1 BLACK	NH-411M FORCE SILVER ME.	NH-1 BLACK	NH-A63 M EBONY GRAY METALLIC	EBONY GREY METALLIC (NH-A63M)

F-27 : STRIPE / MARKS



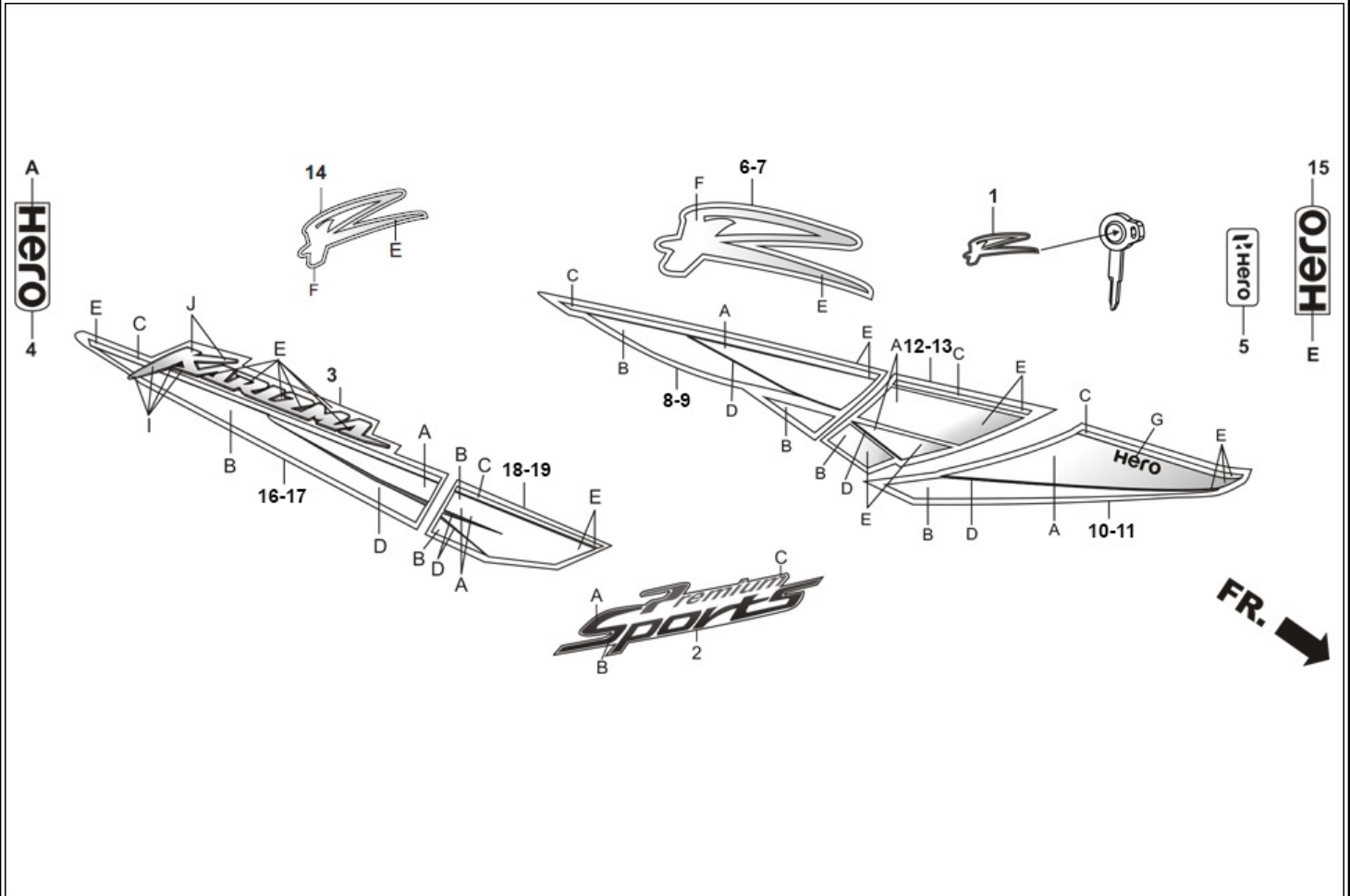
Group Number: F-27 Model :: Karizma (July, 2012)

Ref No.	Part Number	Description	Req.
18	86831-KRY-860ZA	STRIPE A, R. SIDE COVER (TYPE-1)	1
	86831-KRY-860ZB	STRIPE A, R SIDE COVER (TYPE-2)	1
	86831-KRY-860ZC	STRIPE A, R SIDE COVER (TYPE-3)	1
	86831-KRY-860ZD	STRIPE A, R SIDE COVER (TYPE-4)	1
	86831-KRY-860ZE	STRIPE A, R SIDE COVER (TYPE-5)	1

SPECIFIED COLOUR CHART FOR STRIPE A, R. SIDE COVER

SPECIFIED COLOUR TYPE	A	B	C	D	E	MAIN BODY COLOUR
1	R-321 SPORTS RED	NH-262M TERRA SILVER ME	NH-411M FORCE SILVER ME	NH-1 BLACK	NH-1 BLACK	BLACK, (NH-1)
2	NH-411M FORCE SILVER ME	DARK RED	WHITE-2	NH-1 BLACK	R-321 SPORTS RED	SPORTS RED (R-321)
4	R-321 SPORTS RED	DARK YELLOW	NH-411M FORCE SILVER ME	NH-194 M-U HEAVY GRAY ME	Y-153 MOON YELLOW	PEARL FADELESS WHITE (NH-341P)
3	R-321 SPORTS RED	NH-402 M TORNADO GRAY ME	NH-142 M-U METEOR GRAY ME	NH-194 M-U HEAVY GRAY ME	NH-341P PEARL FADELESS WHITE	MOON YELLOW (Y-153)
5	NH-262M TERRA SILVER ME	NH-1 BLACK	NH-411M FORCE SILVER ME	NH-1 BLACK	NH-A63 M EBONY GRAY ME	EBONY GREY METALLIC (NH-A63M)

F-27 : STRIPE / MARKS



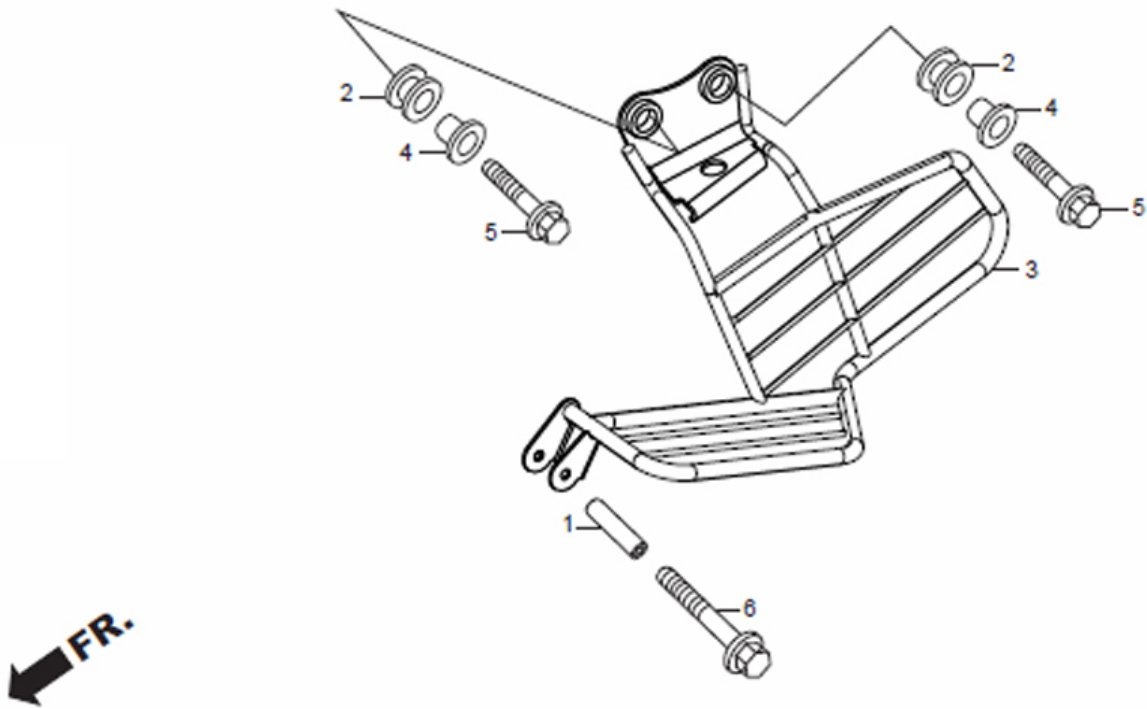
Group Number: F-27 Model :: Karizma (July, 2012)

Ref No.	Part Number	Description	Req.
19	86832-KRY-860ZA	STRIPE A, L. SIDE COVER (TYPE-1)	1
	86832-KRY-860ZB	STRIPE A, L SIDE COVER (TYPE-2)	1
	86832-KRY-860ZC	STRIPE A, L SIDE COVER (TYPE-3)	1
	86832-KRY-860ZD	STRIPE A, L SIDE COVER (TYPE-4)	1
	86832-KRY-860ZE	STRIPE A, L SIDE COVER (TYPE-5)	1

SPECIFIED COLOUR CHART FOR STRIPE A, L. SIDE COVER

SPECIFIED COLOUR TYPE	A	B	C	D	E	MAIN BODY COLOUR
1	R-321 SPORTS RED	NH-262M TERRA SILVER ME	NH-411M FORCE SILVER ME	NH-1 BLACK	NH-1 BLACK	BLACK, (NH-1)
2	NH-411M FORCE SILVER ME	DARK RED	WHITE-2	NH-1 BLACK	R-321 SPORTS RED	SPORTS RED (R-321)
4	R-321 SPORTS RED	DARK YELLOW	NH-411M FORCE SILVER ME	NH-194 M-U HEAVY GRAY ME	Y-153 MOON YELLOW	PEARL FADELESS WHITE (NH-341P)
3	R-321 SPORTS RED	NH-402 M TORNADO GRAY ME	NH-142 M-U METEOR GRAY ME	NH-194 M-U HEAVY GRAY ME	NH-341P PEARL FADELESS WHITE	MOON YELLOW (Y-153)
5	NH-262M TERRA SILVER ME	NH-1 BLACK	NH-411M FORCE SILVER ME	NH-1 BLACK	NH-A63 M EBONY GRAY ME	EBONY GREY METALLIC (NH-A63M)

F-28 : SARI GUARD



Group Number: F-28 Model :: Karizma (July, 2012)

Ref No.	Part Number	Description	Req.
1	18442-KFN-850	COLLAR, MUFF. MOUNT	1
2	50623-MAV-000	RUBBER, STEP MTG.	2
3	51103-KRY-860	GUARD, SAREE	1
4	90124-KAE-000	COLLAR, 8.7 X 17	2
5	95701-08035-00	BOLT, FLANGE, 8 X 35	3
6	95701-08045-00	BOLT, FLANGE 8 X45	1

F-29 : CAUTION LABEL

Group Number: F-29 Model :: Karizma (July, 2012)

Ref No.	Part Number	Description	Req.
1	87506-KRC-900	MARK, BATTERY CAUTION	1
2	87522-MAB-600	LABEL, VISOR CAUTION	1
3	87560-KFN-850	LABEL, DRIVE	1
4	87586-MAN-650R	LABEL, FUEL(TYPE-B) BLACK	1
	87586-MAN-650S	LABEL, FUEL(TYPE-G) GOLD	1

PARTS INDEX

PART NO	BLOCK	PART NO	BLOCK
3310B-AAP-H61	F-1	14776-107-010	E-3
3340A-KRY-861	F-22	14781-HA0-770	E-3
3345A-KRY-861	F-22	15100-AAR-101	E-8A
3360B-AAP-H61	F-22	15421-107-000	E-8
3365B-AAP-H61	F-22	15426-107-000	E-8
3370B-AAP-H61	F-23	15430-440-030	E-8A
5313A-AAP-H60	F-4	15436-107-000	E-8A
6410A-AAP-H60	F-1A	15441-KCS-650	E-8A
06451-GE2-405L	F-8	15446-107-000	E-8A
06455-GCR-016L	F-8	15451-KRY-970	E-6
7711A-ML7-920	F-12	15459-KWK-900	E-8A
7720A-KRY-860	F-12	15650-KCN-000	E-5
11100-KRY-960	E-8	16010-KRY-901A	E-13
11105-KFB-750	E-1	16012-KRY-901	E-13
11108-KHA-940	E-10	16013-KRY-901	E-13
11191-KCN-010	E-8	16015-KRY-901	E-13
11200-KRY-960	E-8	16016-KRY-902	E-13
11330-AAP-H00	E-5	16028-KRY-901	E-13
11341-KRY-960	E-7	16037-KRY-901	E-13
11355-KRY-960	E-7	16046-KRY-901	E-13
11361-AAP-H00	E-7	16048-KRY-901	E-13
11363-437-620	E-7	16050-KRY-901	E-13
11370-KRY-900A	E-7	16060-KRY-901	E-13
11393-KCN-010	E-5	16076-ND5-004	E-13
11395-KCN-010	E-7	16100-KRY-901	E-13
12000-KRY-960	E-1	16107-KRY-901	E-13
12100-KRY-960	E-2	16111-KRY-901	E-13
12191-KCN-010	E-2	16119-KRY-901	E-13
12195-KRC-920	E-1	16145-KRY-901	E-13
12195-KRC-920	E-2	16150-KFB-000	F-3A
12204-439-305	E-1	16155-KRY-901	E-13
12206-KCN-305	E-1	16163-KRY-901	E-13
12208-KCS-920	E-3	16165-KRY-901	E-13
12251-KT0-711	E-1	16173-001-000	F-13
12271-383-000	E-1	16198-KRY-902	E-13
12331-KRY-960	E-1	16199-KRY-900	F-15
12339-KT0-711	E-1	16210-KFB-000	E-1
12361-KEZ-900	E-1	16219-MN4-000	E-1
12361-KEZ-900	E-8	16950-KRY-900	F-13
13000-KRY-903	E-9	16952-KRY-900	F-13
13011-KRY-900	E-9	16953-GT4-305	F-13
13101-KRY-901	E-9	16958-MA1-731	F-13
13111-440-000	E-9	16959-471-831	F-13
13201-KFB-300	E-9	17199-KRY-970	F-13
13380-KCN-300	E-9	17201-KRY-901	E-13
14100-KRY-900	E-3	17211-AAP-000	F-15
14311-KN6-931L	E-9	17213-KRY-900	F-15
14321-KEH-900L	E-4	17214-KRY-900	F-15
14401-KFB-751	E-4	17219-KRY-900	F-15
14431-KEH-900R	E-3	17220-KRY-970H	F-15
14451-437-000	E-3	17225-KRY-900	F-15
14456-KG2-950	E-3	17232-KRY-860	F-24A
14500-KBB-900	E-4	17234-KRY-970	F-15
14513-KBB-900	E-8	17234-KS4-770	F-15
14520-KRY-970	E-4	17253-KRY-900	F-15
14523-KEH-910	E-4	17311-KRY-900	F-15
14535-437-000	E-4	17312-KFN-880	F-15
14550-KFB-000	E-4	17316-611-000	F-15
14711-KBB-900	E-3	17365-KFN-880	F-25
14721-KBB-900	E-3	17369-198-770	F-25
14751-KEH-910	E-3	17370-382-870	F-15
14761-KEH-910	E-3	17371-KRY-900	F-15
14771-107-020	E-3	17506-KRY-900	F-13
14775-107-000	E-3	17520-KRY-860ZA	F-13

PART NO	BLOCK	PART NO	BLOCK
17520-KRY-860ZB	F-13	23801-KRY-970	E-10
17520-KRY-860ZC	F-13	23811-KR3-600	E-10
17520-KRY-860ZD	F-13	24211-KW1-900	E-12
17520-KRY-860ZE	F-13	24221-KBB-900	E-12
17611-KFN-850	F-13	24231-KW1-900	E-12
17613-MV4-000	F-13	24241-KCS-650	E-12
17620-KRY-971	F-13	24301-KCN-000	E-12
17622-GB7-900	E-7	24411-KCN-000	E-12
17622-GB7-900	F-25	24430-KW1-900	E-12
17681-KRY-900	F-13	24435-KCN-000	E-12
17910-KRY-860	F-3A	24610-KC6-000	E-12
17920-KRY-860	F-3A	24621-107-760	E-12
17950-KRY-900	F-3A	24631-107-000	E-12
18291-KRY-930	F-16	24651-107-000	E-12
18293-KPK-900	F-16	24701-KRY-970	F-18
18294-KRY-900	F-16	24701-KRY-970	F-18
18300-KRY-960	F-16	24711-KRY-970	F-18
18311-KRY-920	F-16	24720-KRY-970	F-18
18312-KRY-960	F-16	24721-KRY-970	F-18
18317-KRY-920	F-16	24781-KR3-770	F-18
18327-KAE-000	F-25	28110-KEW-900	E-7A
18421-438-000	F-16	28114-KN6-930	E-7A
18421-438-000	F-17	28125-KFC-791L	E-7A
18442-KRC-900	F-16	28130-KFB-000	E-7
18442-KFN-850	F-28	28132-KN6-930	E-7
18600-KRY-901	F-25	28140-KFB-000	E-7
18601-KFN-880	F-25	28142-KW1-900	E-7
18602-KRY-900	F-25	28211-KHA-940	E-11
19052-KV0-000	F-14	28221-KCJ-710	E-11
19052-KV0-000	F-15	28241-KRY-860	F-18
19509-KFN-850	F-25	28251-KFN-850	E-11
22100-KRY-900R	E-6	28253-KCJ-710	E-11
22121-KPK-900	E-6	28254-437-000	E-11
22125-KW7-900	E-6	28261-KCJ-710	E-11
22131-KPM-850	E-6	28262-437-000	E-11
22201-KBW-900	E-6	28263-KCJ-710	E-11
22201-KPM-850	E-6	28293-KFN-850	F-18
22201-MJ8-000	E-6	28300-KRY-860	F-18
22321-KE8-000	E-6	28307-KRY-860	F-18
22355-KPK-900	E-6	28311-KC5-000	F-18
22361-KPK-900	E-6	28333-KK0-000	F-18
22366-KFB-000	E-6	30401-MCG-000	F-24
22401-KRY-900	E-6	30410-KRY-900	F-24
22402-KPM-850	E-6	30500-AAP-H61	F-24
22810-KBB-900	E-5	30510-KRY-860	F-24
22815-428-000	E-5	30700-KWA-831	F-24
22838-437-000	E-8	31100-KRY-901	E-7A
22870-KRY-860	F-3A	31110-KRY-901	E-7A
22871-437-000	F-3A	31120-KRY-901	E-7A
23121-KBB-900	E-8A	31200-KPS-A11	E-7B
23211-KHA-940	E-10	31201-MEW-921	E-7B
23221-KRY-900	E-10	31202-MEW-921	E-7B
23426-KBB-900	E-10	31203-MEW-921	E-7B
23427-KW1-900	E-10	31204-MEW-921	E-7B
23431-KRY-900	E-10	31205-HP5-601	E-7B
23441-KBB-900	E-10	31206-KW1-901	E-7B
23451-KRY-970	E-10	31206-MEW-921	E-7B
23452-KW1-900	E-10	31207-HP5-601	E-7B
23461-KBB-900	E-10	31208-MEW-921	E-7B
23471-KBB-900	E-10	31209-MEW-921	E-7B
23481-KBB-900	E-10	31210-MEW-921	E-7B
23491-KBB-900	E-10	31500-KRY-801	F-24A
23501-KRY-900	E-10	31600-KRY-861	F-24
23511-KRY-970	E-10	31700-124-000	F-24

PART NO	BLOCK	PART NO	BLOCK
31918-HM5-630	E-1	35850-KR3-870	F-24A
32100-KRY-860	F-24	35856-KBG-007	F-24A
32161-404-000	F-3A	37100-KRY-861	F-2
32401-KRY-860	F-24A	37110-KRY-861	F-2
32406-KRY-860	F-24A	37112-KRY-861	F-2
32407-KSP-B00	F-24A	37215-ML0-008	F-2
32410-KRY-860	F-24A	37612-KRY-901	F-2
32414-MW0-000	F-24A	37613-KRY-861	F-2
32418-KRY-970	F-24A	37613-KRY-900A	F-2
32601-KRY-860	F-24A	37700-KRY-900	F-2
32901-MA1-000	F-25	37800-KRY-961	F-13
32975-KFB-000	E-7A	38110-KRY-930	F-25
32976-KCT-690	E-8	38117-KFE-701	F-24
33108-KRY-900	F-1	38117-KFE-701	F-25
33110-AAP-H00	F-1	38301-KRY-971	F-24
33119-KRY-901	F-1	38306-GE7-000	F-24
33126-S05-003	F-1	40510-KRY-860	F-19
33150-KRY-861	F-1	40520-KRY-900	F-19
33403-KRY-901	F-22	40530-KRY-900	F-19
33405-KRY-861	F-22	40531-KRY-900	F-19
33406-MAZ-003	F-22	40543-KRY-900	F-19
33410-KRY-970	F-22	40544-KRY-900	F-19
33453-KRY-901	F-22	40545-001-000	F-19
33455-KRY-861	F-22	40546-KRY-900	F-19
33460-KRY-970	F-22	41201-KRY-900	F-11
33491-MAZ-003	F-22	41241-KSP-900	F-11
33601-AAP-H11	F-22	42301-KRY-900	F-11
33602-KRY-861	F-22	42303-KRY-931	F-11
33603-053-650	F-1A	42311-KRY-930	F-11
33603-053-650	F-23	42313-KRY-930	F-10
33607-KRY-901	F-22	42601-AAP-H31	F-11
33615-KRY-861	F-22	42611-KRY-930	F-11
33651-AAP-H11	F-22	42620-KSP-900	F-11
33652-KRY-861	F-22	42704-MCF-D60	F-9
33665-KRY-861	F-22	42704-MER-D00	F-11
33711-KRY-901	F-23	42705-MER-D00	F-9
33712-AAP-H61	F-23	42705-MER-D00	F-11
33713-KRY-901	F-23	42706-MCF-D60	F-9
33714-KL3-620	F-24	42706-MCF-D60	F-11
33714-KL3-620	F-25	42711-KFN-850R	F-11
33715-KRY-901	F-23	42712-KCS-920	F-9
33716-KRY-901	F-23	42712-KFN-850	F-11
33741-KW6-840	F-23	43100-KRY-930	F-10
33741-KRY-861	F-25	43141-KTC-900	F-10
34351-657-921	F-23	43145-149-000	F-10
34901-KSP-910	F-1	43352-568-003L	F-8
34904-KRY-971	F-22	43353-461-771L	F-8
34906-447-710	F-23	43410-KRY-930	F-10
34908-GBG-840	F-1	43431-KCT-690	F-19
35010-AAP-H60	F-4	43434-ME1-670	F-10
35100-AAP-H61	F-4	43451-KRY-930	F-18
35105-KRY-900	F-4	43455-KSP-900	F-18
35113-KRY-860	F-27	43456-KSP-900	F-18
35121-AAP-H61	F-4	43459-KSP-900	F-18
35122-AAP-H61	F-4	44301-KPL-900	F-9
35150-KRY-900	F-3A	44311-KRY-900	F-9
35200-KRY-900	F-3A	44601-AAP-H00	F-9
35330-413-003	F-3A	44620-400-000	F-9
35340-MA5-670L	F-3	44680-410-000	F-9
35350-KFN-850	F-18	44711-KFN-850	F-9
35357-KCT-690	F-18	44800-KRC-910	F-9
35750-KCS-920	E-8	44803-150-000	F-9
35752-KRY-900A	E-7	44804-KFN-850	F-9
35753-KCS-920	E-12	44805-150-010	F-9

PART NO	BLOCK	PART NO	BLOCK
44807-001-000	F-9	50643-KRY-970	F-17
44809-170-000	F-9	50661-KFN-850	F-17
44830-KRY-960	F-2	50701-KRY-900	F-17
44831-KRY-900	F-2	50715-KFN-850	F-17
45107-MN5-006L	F-8	50801-KRY-900	F-17
45108-ML4-006L	F-8	51103-KRY-860	F-28
45109-GE2-006L	F-8	51400-KRY-861	F-7
45125-AAH-F0099	F-10	51401-KRY-901	F-7
45125-AAH-F0099	F-10	51410-KRY-861	F-7
45126-KRY-860	F-3	51412-369-000	F-7
45131-GE2-006L	F-8	51412-KFN-851	F-7
45132-166-016L	F-8	51414-KK4-003	F-7
45133-MA3-006L	F-8	51420-KRY-971	F-7
45133-KCC-900	F-10	51432-KFN-851	F-7
45134-250-000	F-10	51437-KVN-901	F-7
45155-KRY-860	F-3	51440-KFN-851	F-7
45156-KRY-900	F-3	51500-KRY-861	F-7
45160-KRY-860	F-3	51520-KRY-861	F-7
45160-KFN-850	F-5	52109-KC1-003	F-19
45201-GT4-691L	F-8	52110-KRY-860	F-19
45203-MG3-016L	F-8	52141-KCT-690	F-19
45209-GE2-006L	F-8	52144-GC4-005	F-19
45210-KR3-871L	F-8	52170-KRY-900	F-19
45215-KA3-732L	F-8	52400-KRY-961	F-20
45216-166-006	F-8	52410-KRY-901	F-20
45216-KW6-901L	F-8	52485-088-901	F-20
45250-KRY-901	F-8	52486-056-000	F-20
45251-KRY-971	F-9	52486-KTN-701	F-20
45290-KGB-611L	F-8	52489-399-600	F-20
45504-410-003L	F-3	53100-KFN-850	F-4
45510-KRY-971	F-3	53104-KFN-850	F-4
45512-MA6-006L	F-3	53105-KFN-850	F-4
45513-HA2-006L	F-3	53107-MB6-630	F-4
45517-166-000	F-3	53108-KR3-770	F-4
45517-166-000	F-3A	53127-KRY-900	F-4
45520-MG7-006L	F-3	53132-KRY-900	F-4
45521-HA2-006L	F-3	53133-KRY-900	F-4
45530-471-831L	F-3	53140-KRY-900	F-3A
46500-KRY-900	F-18	53166-KRY-900	F-3A
46513-KBW-900	F-18	53172-KRC-900	F-3A
46514-KCJ-690	F-18	53174-116-670	F-3A
46515-KFN-850	F-18	53175-KFN-850L	F-3
50100-KRY-860	F-25	53178-KFN-850	F-3A
50119-KRY-860	F-24	53182-KFN-850	F-3A
50186-KRY-900	F-21	53200-KRY-900	F-5
50197-KRY-900	F-25	53211-028-010	F-5
50199-KRY-900	F-25	53212-030-010	F-5
50301-041-010	F-5	53214-001-010	F-5
50351-KRY-960	F-25	53215-001-000	F-5
50353-KRY-900	F-25	53220-074-000	F-5
50354-428-000	F-2	53230-KRY-931	F-4
50383-KRC-900	F-24A	61100-KRY-860ZC	F-6
50400-KRY-960	F-25	61100-KRY-860ZE	F-6
50500-KRY-860	F-18A	61100-KRY-900ZAH	F-6
50505-KCC-900	F-16	61100-KRY-900ZEH	F-6
50526-KCT-690	F-18A	61100-KRY-960ZB	F-6
50530-KRY-970	F-18A	61102-KRY-900	F-6
50603-KFN-850	F-17	61103-KRY-900	F-6
50618-KE8-000	F-17	61105-KRY-900	F-6
50619-KFN-850	F-17	61105-KTC-900	F-6
50623-KFB-000	F-25	61301-KRY-860ZC	F-1A
50623-MAV-000	F-28	61301-KRY-860ZE	F-1A
50630-KRY-860	F-17	61301-KRY-900ZA	F-1A
50640-KRY-860	F-17	61301-KRY-900ZE	F-1A

PART NO	BLOCK	PART NO	BLOCK
61301-KRY-960ZB	F-1A	80100-KRY-900	F-21
61304-KRY-900	F-2	80101-KFN-850	F-13
61317-KCC-900	F-1A	80102-KRY-900	F-21
61317-KCC-900	F-2	83500-KRY-860ZA	F-14
64201-AAP-H60ZA	F-1A	83500-KRY-860ZB	F-14
64201-AAP-H60ZB	F-1A	83500-KRY-860ZC	F-14
64201-AAP-H60ZC	F-1A	83500-KRY-860ZD	F-14
64201-AAP-H60ZD	F-1A	83500-KRY-860ZE	F-14
64201-AAP-H60ZE	F-1A	83542-KRY-970	F-14
64202-AAP-H60ZA	F-1A	83545-KCJ-690	F-14
64202-AAP-H60ZB	F-1A	83545-KCJ-690	F-15
64202-AAP-H60ZC	F-1A	83551-300-000	F-13
64202-AAP-H60ZD	F-1A	83551-300-000	F-25
64202-AAP-H60ZE	F-1A	83600-KRY-860ZA	F-14
64211-KRY-900	F-1A	83600-KRY-860ZB	F-14
64212-KRY-900	F-1A	83600-KRY-860ZC	F-14
64213-KRY-900	F-1A	83600-KRY-860ZD	F-14
64300-KRY-960	F-12	83600-KRY-860ZE	F-14
64301-KRY-860	F-1A	83642-KRY-970	F-14
64302-KRY-900	F-1A	84701-KCC-860	F-21
64303-KRY-900	F-1A	84701-P26-D00A	F-21
64304-KRY-900	F-1A	86131-AAP-H60	F-27
64305-KRY-960	F-27	86171-KRY-860ZA	F-27
64310-198-D20A	F-1	86171-KRY-860ZB	F-27
64311-KRY-960	F-12	86171-KRY-860ZC	F-27
64313-KRY-900	F-2	86171-KRY-860ZD	F-27
64314-KRY-900	F-2	86171-KRY-860ZE	F-27
64315-KRY-900	F-1	86172-KRY-860ZA	F-27
64317-KRY-960	F-12	86172-KRY-860ZB	F-27
64411-KRY-960	F-12	86172-KRY-860ZC	F-27
64510-KRY-860	F-2	86172-KRY-860ZD	F-27
64520-KRY-860	F-25	86172-KRY-860ZE	F-27
77156-KRY-900	F-12	86173-KRY-860ZA	F-27
77160-KRY-900	F-12	86173-KRY-860ZB	F-27
77200-KRY-860	F-12	86173-KRY-860ZC	F-27
77204-KCC-900	F-12	86173-KRY-860ZD	F-27
77205-286-000	F-12	86173-KRY-860ZE	F-27
77206-KFN-850	F-12	86174-KRY-860ZA	F-27
77209-KAG-900	F-1A	86174-KRY-860ZB	F-27
77209-KAG-900	F-23	86174-KRY-860ZC	F-27
77211-KCC-900	F-12	86174-KRY-860ZD	F-27
77212-KFN-850	F-25	86174-KRY-860ZE	F-27
77215-KRY-860ZA	F-12	86641-AAP-H60ZA	F-27
77215-KRY-860ZB	F-12	86641-AAP-H60ZB	F-27
77215-KRY-860ZC	F-12	86641-AAP-H60ZC	F-27
77215-KRY-860ZD	F-12	86641-AAP-H60ZD	F-27
77215-KRY-860ZE	F-12	86641-AAP-H60ZE	F-27
77220-KY6-000	F-12	86642-AAP-H60ZA	F-27
77225-KRY-860ZA	F-12	86642-AAP-H60ZB	F-27
77225-KRY-860ZB	F-12	86642-AAP-H60ZC	F-27
77225-KRY-860ZC	F-12	86642-AAP-H60ZD	F-27
77225-KRY-860ZD	F-12	86642-AAP-H60ZE	F-27
77225-KRY-860ZE	F-12	86643-KRY-860ZA	F-27
77227-KRY-970ZB	F-27	86643-KRY-860ZB	F-27
77227-KRY-970ZC	F-27	86643-KRY-860ZC	F-27
77227-KRY-970ZD	F-27	86643-KRY-860ZD	F-27
77235-KRY-900	F-23	86643-KRY-860ZE	F-27
77238-AAD-H70ZA	F-27	86644-KRY-860ZA	F-27
77238-AAD-H70ZB	F-27	86644-KRY-860ZB	F-27
77280-AAP-H60ZA	F-12	86644-KRY-860ZC	F-27
77280-AAP-H60ZB	F-12	86644-KRY-860ZD	F-27
77280-AAP-H60ZC	F-12	86644-KRY-860ZE	F-27
77280-AAP-H60ZD	F-12	86645-KRY-860ZA	F-27
77280-AAP-H60ZE	F-12	86645-KRY-860ZB	F-27

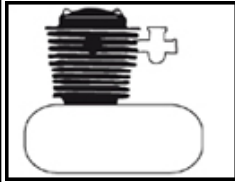
PART NO	BLOCK	PART NO	BLOCK
86645-KRY-860ZC	F-27	90101-KTR-900	F-16
86645-KRY-860ZD	F-27	90102-GB2-720	F-12
86645-KRY-860ZE	F-27	90105-KL8-741	F-9
86645-AAN-H20	F-27	90105-KRY-860	F-12
86771-KRY-860ZA	F-27	90105-KVN-900	F-14
86771-KRY-860ZB	F-27	90107-GZ4-670	F-12
86771-KRY-860ZC	F-27	90107-GN1-010	F-18A
86771-KRY-860ZD	F-27	90109-SB6-000	F-1A
86771-KRY-860ZE	F-27	90111-KW3-000	F-1A
86772-KRY-860ZA	F-27	90111-187-000	F-21
86772-KRY-860ZB	F-27	90111-187-020	F-21
86772-KRY-860ZC	F-27	90111-MR5-000	F-24A
86772-KRY-860ZD	F-27	90113-438-000	F-3A
86772-KRY-860ZE	F-27	90114-166-000L	F-3
86773-KRY-860ZA	F-27	90116-KAG-900	F-7
86773-KRY-860ZB	F-27	90121-KBW-900	F-19
86831-KRY-860ZA	F-27	90122-MN4-008	E-7B
86831-KRY-860ZB	F-27	90122-KVT-941	F-24A
86831-KRY-860ZC	F-27	90123-KRM-860	F-7
86831-KRY-860ZD	F-27	90123-KAG-900	F-7
86831-KRY-860ZE	F-27	90124-KAE-000	F-28
86832-KRY-860ZA	F-27	90133-331-770	F-19
86832-KRY-860ZB	F-27	90145-MS9-610	F-3
86832-KRY-860ZC	F-27	90155-KY4-900	F-8
86832-KRY-860ZD	F-27	90201-MW3-620	F-3A
86832-KRY-860ZE	F-27	90206-250-000	E-3
87506-KRC-900	F-29	90231-KB5-720	E-6
87522-MAB-600	F-29	90231-KCS-920	E-8A
87560-KFN-850	F-29	90235-KCZ-000	F-2
87586-MAN-650R	F-29	90301-473-000	F-10
87586-MAN-650S	F-29	90304-159-000	F-4
88110-AAM-H51	F-3A	90304-KCS-920	F-11
88114-KFN-950	F-3A	90304-KFN-850	F-18A
88120-AAM-H51	F-3A	90305-KFN-850	F-16
89102-538-000	F-26	90305-KVN-900	F-19
89103-538-000	F-26	90306-KF0-000	F-9
89213-AAP-H00	F-26	90306-KST-942	F-9
89216-AAD-H00	F-26	90306-KTE-911	F-9
90001-KFN-850	F-17	90306-KVT-941	F-24A
90002-KW1-900	E-4	90309-KF0-000	F-4
90003-MY5-720	F-3A	90320-GC3-000	F-12
90004-GHB-700	E-1	90320-GC3-000	F-21
90004-437-000	E-11	90344-KEV-900	F-1
90005-KY7-000	E-4	90344-KEV-900	F-1A
90012-KN6-930L	E-3	90380-MB2-000	F-22
90019-399-010	F-25	90401-KCJ-710	E-11
90023-KW1-900	E-12	90403-KN6-930	E-7A
90031-KFB-000L	E-8	90408-KW1-900	E-12
90032-KFB-000	E-8	90417-041-000	E-7
90041-KW1-900	E-1	90417-041-000	F-25
90050-357-000	E-6	90434-KN6-930	E-8A
90071-MG8-000	E-4	90442-028-000	E-1
90071-MB0-000	E-7B	90443-107-000	E-1
90084-KVE-930	E-7	90443-107-000	F-25
90087-KTC-A20	E-7	90450-ZA0-000	F-6
90089-KAS-900	E-7A	90451-107-000	E-10
90091-MM5-640	E-1	90451-365-000	E-10
90092-KE5-000	E-7A	90451-001-000	E-12
90100-KRY-930	F-4	90452-437-000	E-10
90101-AAP-000	E-7A	90453-107-000	E-11
90101-440-000	E-8A	90454-107-000	E-10
90101-GE0-000	F-1A	90455-107-000	E-10
90101-087-720	F-12	90459-107-000	E-11
90101-GE0-000	F-12	90461-KPK-900	E-6

PART NO	BLOCK	PART NO	BLOCK
90471-KW1-900	E-9	91306-MG3-000	E-4
90475-703-000	E-4	91307-035-000	E-5
90488-425-000	E-4	91309-425-003	E-7B
90502-KEZ-900	E-7	91312-107-000	E-8
90502-155-000	F-18	91320-MB0-000	E-7B
90502-KRY-930	F-18	91352-KSP-900	F-11
90502-KEZ-900	F-25	91356-KEH-910	E-7
90503-051-870	F-4	91406-KFN-850	F-15
90504-964-000	F-1A	91463-393-780	F-15
90504-KFN-850	F-11	91547-SF4-003	F-24
90504-KR3-000	F-11	92000-06025-0A	E-12
90505-425-000	F-10	92000-06012-0A	F-21
90505-116-670	F-18	92101-05020-0A	E-8A
90521-292-000	F-7	92101-06010-0A	E-10
90534-MV4-000	F-13	92101-06012-0G	F-17
90535-292-000	F-4	92811-10000	F-10
90544-KFN-851	F-7	92915-10025-0E	F-11
90545-300-000	F-3	93500-05032-0G	E-1
90556-044-000	F-19	93500-04008-1A	E-13
90563-355-000	F-1A	93500-04014-1A	E-13
90563-355-000	F-23	93500-05010-1A	E-13
90601-KFN-851	F-7	93500-05010-1H	E-13
90601-KAF-003	F-15	93500-05010-1A	F-1
90601-KAF-003	F-18	93500-06012-1A	F-1
90605-200-000	E-10	93500-04020-0G	F-3A
90651-MA5-671L	F-3	93500-04025-0G	F-15
90651-MK3-780	F-15	93500-04032-0G	F-15
90651-KV6-003	F-24	93500-05016-1H	F-15
90701-KFN-850	E-5	93600-06016-0A	E-3
90703-HC4-000	E-7	93600-04012-0A	E-8A
90703-HC4-000	E-8	93600-04012-1GL	F-3
90741-KFB-000	E-9	93700-05012-0A	E-8A
91001-KCN-003	E-9	93700-06065-0G	F-4
91005-KCN-003	E-10	93700-05020-0A	F-9
91008-KK6-000	E-6	93892-05012-08	E-7B
91008-KCS-920	E-8	93892-04010-18	E-13
91015-KEH-910	E-10	93892-05020-07	F-3A
91053-719-005	E-5	93892-05025-07	F-3A
91102-KC6-003	E-9	93892-05035-07	F-3A
91103-KC6-003	E-9	93892-05045-07	F-3A
91104-KC6-003	E-9	93893-04012-17L	F-3
91105-KW3-003	E-9	93901-44220	F-1
91106-KCS-920	E-8	93901-25020	F-19
91201-KCS-920	E-5	93901-22310	F-22
91201-KCS-920	E-10	93901-34520	F-22
91206-KCS-920	E-5	93901-34480	F-23
91206-KCS-920	E-8	93903-25310	F-1
91251-KPH-901	F-9	93903-25210	F-1A
91253-KSP-901	F-11	93903-22420	F-2
91254-GAA-003R	F-7	93903-24420	F-2
91255-KRM-852	F-7	93903-25210	F-4
91255-KRM-852	F-7	93903-25210	F-14
91256-096-650	F-9	93903-25210	F-21
91258-KEJ-900	F-9	93903-25210	F-22
91301-107-000	E-1	94001-06000-0S	F-2
91301-200-000	E-1	94001-08000-0S	F-10
91303-KCS-920	E-1	94001-06000-0S	F-17
91303-377-000	E-7	94001-06000-0S	F-19
91303-KCS-920	E-8	94001-08000-0S	F-19
91304-KCS-920	E-1	94001-12000-0S	F-20
91304-MZ0-760	E-7	94002-08000-0S	F-10
91304-KK3-830	E-8A	94002-10000-0S	F-20
91305-KFN-900	E-1	94002-06000-0S	F-21
91305-MC7-000	F-13	94021-08000-0S	F-2

PART NO	BLOCK	PART NO	BLOCK
94050-06000	F-3	95701-10025-00	F-17
94050-06000	F-3A	95701-08020-00	F-18
94050-06000	F-13	95701-08040-07	F-18
94050-10000	F-16	95701-08050-00	F-18
94050-08080	F-17	95701-06012-00	F-18
94050-10000	F-22	95701-06012-00	F-19
94050-06000	F-23	95701-06012-00	F-21
94050-06000	F-25	95701-06025-00	F-23
94050-08000	F-25	95701-05018-00	F-24
94050-10000	F-25	95701-06018-08	F-24
94101-06000	E-1	95701-06008-00	F-24A
94101-05000	F-1	95701-06012-00	F-24A
94101-05000	F-15	95701-06012-07	F-25
94101-08000	F-19	95701-06020-07	F-25
94101-12800	F-20	95701-06030-00	F-25
94101-06000	F-21	95701-08030-00	F-25
94101-04800	F-21	95701-08035-00	F-28
94102-08000	F-17	95701-08045-00	F-28
94103-06000	F-2	95801-06035-00	E-7B
94103-10000	F-16	95801-06060-00	E-7B
94103-06000	F-18	95801-08040-00	F-2
94111-10000	F-19	95801-08030-07	F-5
94201-20150	F-10	95801-06032-00	F-6
94201-20150	F-17	95801-10055-00	F-16
94201-20150	F-18	95801-10035-00	F-20
94201-30300	F-18A	95801-08060-00	F-25
94201-20150	F-19	95801-08085-00	F-25
94251-08000	E-8A	96001-06016-00	E-1
94301-08140	E-1	96001-06025-00	E-1
94301-10120	E-1	96001-06040-00	E-5
94301-10200	E-2	96001-06050-00	E-5
94301-08140	E-5	96001-06020-00	E-7
94510-16000	E-11	96001-06028-00	E-7
94510-20000	E-11	96001-06040-00	E-7
94510-12000L	E-12	96001-06060-00	E-7
94510-14000	E-12	96001-06070-00	E-7
94601-15000	E-9	96001-06080-00	E-7
95002-02079	E-13	96001-06014-00	E-8
95002-02089	E-13	96001-06050-00	E-8
95002-02100	F-13	96001-06060-00	E-8
95002-02080	F-15	96001-06012-07	F-3
95002-80000	F-15	96001-06022-07	F-3
95003-37015-31	F-15	96001-06022-07	F-3A
95005-35055-20	E-13	96001-06012-07	F-5
95005-35090-20	E-13	96001-06008-02	F-16
95005-35190-20	E-13	96001-06010-02	F-16
95005-12280-20	F-15	96001-06020-00	F-18
95014-71702	F-18A	96100-62040-00	E-10
95014-72102	F-18A	96150-63010-10	F-9
95015-53000	F-18	96150-60050-10	F-11
95018-56320	F-15	96150-63020-10	F-11
95020-15100	F-11	96211-06000	F-5
95701-06012-00	E-8	96211-08000	F-18
95701-06012-07	F-1	96220-40100	E-12
95701-06025-00	F-1A	96600-08018-18	E-10
95701-06010-08	F-4	96600-08032-00	F-4
95701-08030-07	F-5	96700-06125-00	E-1
95701-06035-00	F-10	96700-06032-10	E-7A
95701-06012-00	F-12	98069-57916-03	E-1
95701-08012-07	F-12	98200-30750	F-24
95701-08025-07	F-12	98200-31500	F-24
95701-08025-08	F-13	98200-32000	F-24
95701-06020-00	F-15	99007-45000	F-26
95701-10020-00	F-16	99101-KRY-1250	E-13

PART NO	BLOCK
99103-KRY-0350	E-13

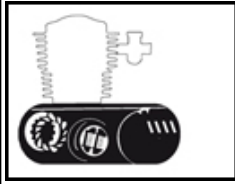
BLOCK INDEX - GROUP Engine - Karizma (July, 2012).



E-1
E-2
E-3

CYLINDER HEAD COVER
CYLINDER
CAM SHAFT / VALVE

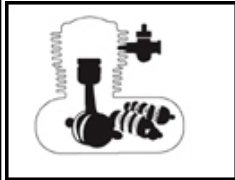
95
3
4



E-4
E-5
E-6
E-7
E-7A
E-7B
E-8
E-8A

CAM CHAIN TENSIONER
RIGHT CRANK CASE COVER
CLUTCH
LEFT CRANK CASE COVER
A.C. GEN. FLYWHEEL
STARTER MOTOR
CRANK CASE
OIL PUMP

5
6
7
8
10
11
12
13



E-9
E-10
E-11
E-12
E-13

CRANK SHAFT / PISTON
TRANSMISSION (MAIN SHAFT / COUNTER SHAFT & GEARS)
KICK STARTER SPINDLE
GEAR SHIFT DRUM
CARBURETTOR

14
18
20
21
22

BLOCK INDEX - GROUP Frame - Karizma (July, 2012).



F-1	HEAD LIGHT	24
F-1A	FRONT COWL	25
F-2	SPEEDOMETER	27
F-3	FRONT BRAKE MASTER CYL	28
F-3A	HANDLE LEVER / SWITCH / CABLE	29
F-4	HANDLE PIPE / TOP BRIDGE / KEY SET	31
F-5	STEERING STEM	32
F-6	FRONT FENDER	33
F-7	FRONT FORK	34



F-8	CALIPER ASSY. `R' FRONT	35
F-9	FRONT WHEEL	36
F-10	REAR BRAKE PANEL	38
F-11	REAR WHEEL	39



F-12	SEAT ASSY. / COWL REAR	40
F-13	FUEL TANK	42
F-14	SIDE COVER	43
F-15	AIR CLEANER	44



F-16	EXHAUST MUFFLER	46
F-17	STEP PILLION	47
F-18	GEAR CHANGE PEDAL / KICK STARTER	48
F-18A	MAIN STAND / SIDE STAND	50
F-19	SWINGARM / CHAIN CASE	51
F-20	REAR CUSHION	53



F-21	REAR FENDER	54
F-22	WINKERS	55
F-23	TAIL LIGHT	57



F-24	WIRE HARNESS	58
F-24A	BATTERY ASSY	59
F-25	FRAME BODY	60
F-26	TOOLS	62
F-27	STRIPE / MARKS	63
F-28	SARI GUARD	82
F-29	CAUTION LABEL	83