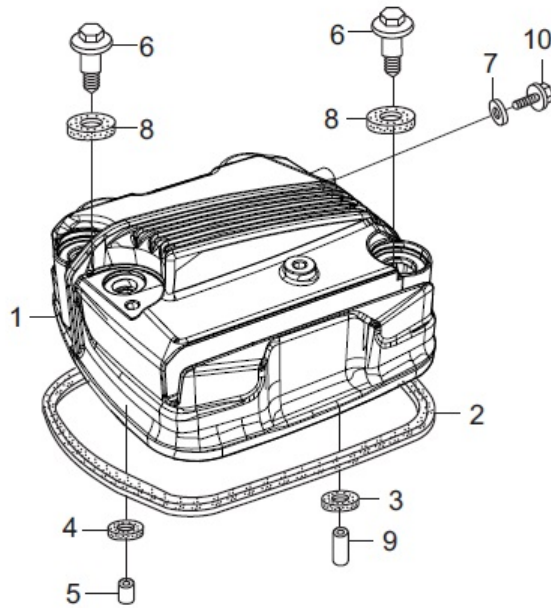


PARTS CATALOGUE

Hunk 200R (Aug, 2018)

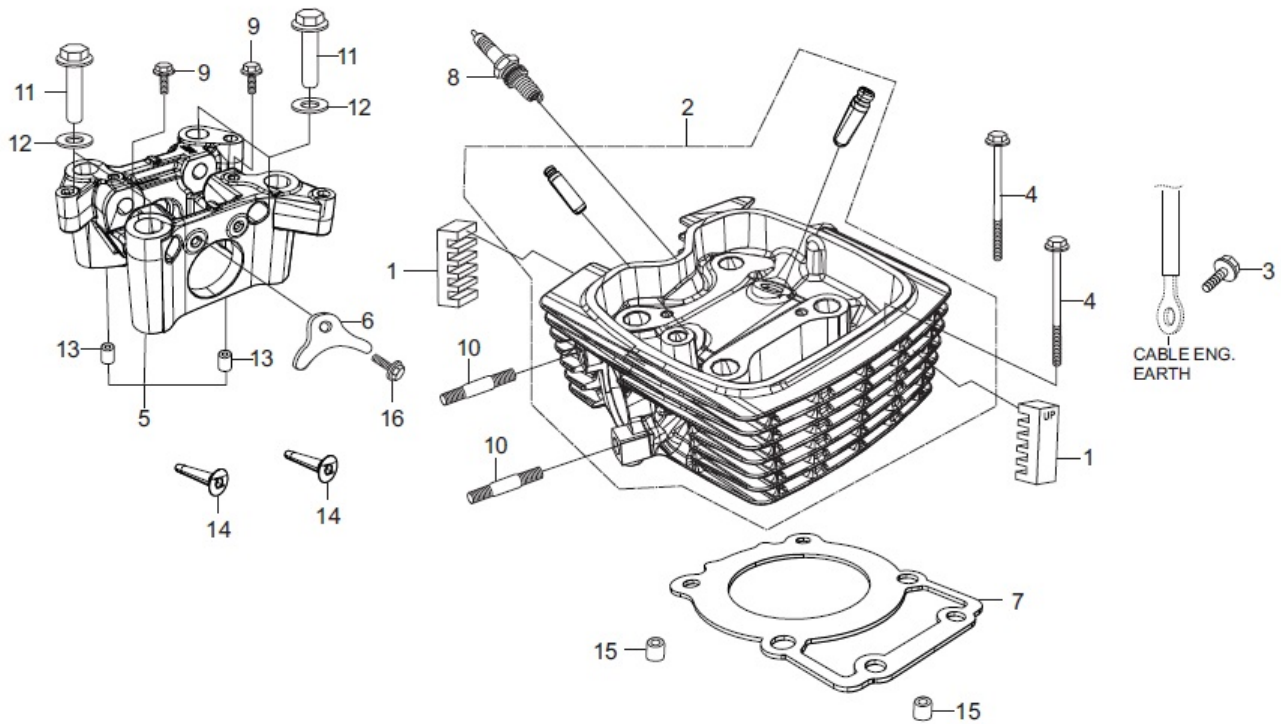
E-1 : CYLN. & CYLN HEAD (CYLINDER HEAD COVER)



Group Number: E-1 **Model ::** Hunk 200R (Aug, 2018)

Ref No.	Part Number	Description	Req.
1	12310-AAB-A00	COVER COMP CYLINDER HEAD	1
2	12391-KRM-840	GASKET, HEAD COVER	1
3	12396-KRM-840	GASKET,B, HEAD COVER	1
4	12397-KSP-910	GASKET,CYL. HEAD COVER	1
5	12398-KSP-910	COLLAR 9 MM	1
6	90003-KFG-000	BOLT, L COVER	2
7	90463-KRM-840	WASHER SEALING 6.2 MM	1
8	90543-MV9-670	RUBBER, MOUNT	2
9	94301-08140	DOWEL PIN, 8X14	1
10	96001-06012-00	BOLT,FLANGE,SH.,6 X 12	1

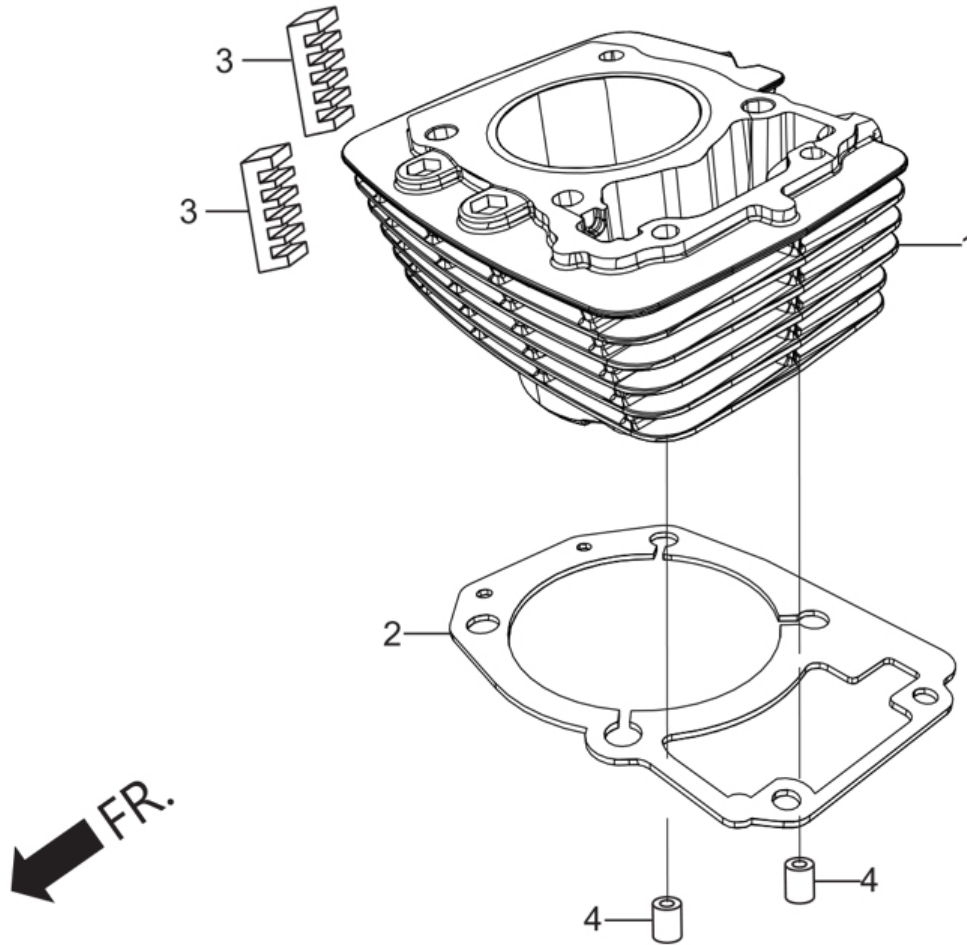
E-1A : CYLN. & CYLN HEAD (CYLINDER HEAD)



Group Number: E-1A Model :: Hunk 200R (Aug, 2018)

Ref No.	Part Number	Description	Req.
1	12196-AAB-A00	RUBBER INSERT CORNER	2
2	12200-ABF-000	HEAD COMP CYLINDER	1
3	95701-06016-00	BOLT, FLANGE, 6X16	1
4	95801-06105-00	BOLT FLANGE 6 X 105	2
5	12210-ABF-000	HOLDER COMP CAM SHAFT	1
6	12212-ABF-000	PLATE STOPPER	1
7	12251-ABF-000	GASKET CYLINDER HEAD	1
8	31916-KRM-84099	SPARK PLUG	1
9	90002-KRM-840	BOLT, FLANGE 5X14	2
10	90040-KSP-910	BOLT STUD 8 X 22	2
11	90306-ABF-000	NUT CYLINDER HEAD	4
12	90404-KPT-A00	WASHER PLAIN 12MM	4
13	90704-KRM-840	DOWEL PIN 6 X10	2
14	93600-05016-0G	SCREW FLAT 5X16	2
15	94301-10120	DOWEL PIN, 10X12	2
16	95701-06014-00	BOLT, FLANGE, 6 X 14	1

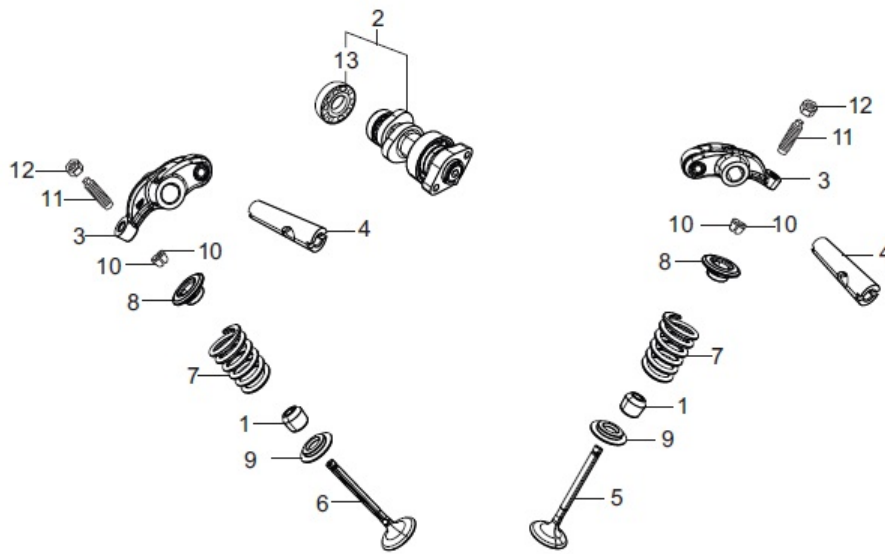
E-1B : CYL. & CYLN HEAD (CYLINDER)



Group Number: E-1B Model :: Hunk 200R (Aug, 2018)

Ref No.	Part Number	Description	Req.
1	12100-ABF-000	CYLINDER COMP	1
2	12191-ABF-000	GASKET CYL	1
3	12196-AAB-A00	RUBBER INSERT CORNER	2
4	94301-10120	DOWEL PIN, 10X12	2

E-1C : CYLN. & CYLN HEAD (CAM SHAFT / VALVE)

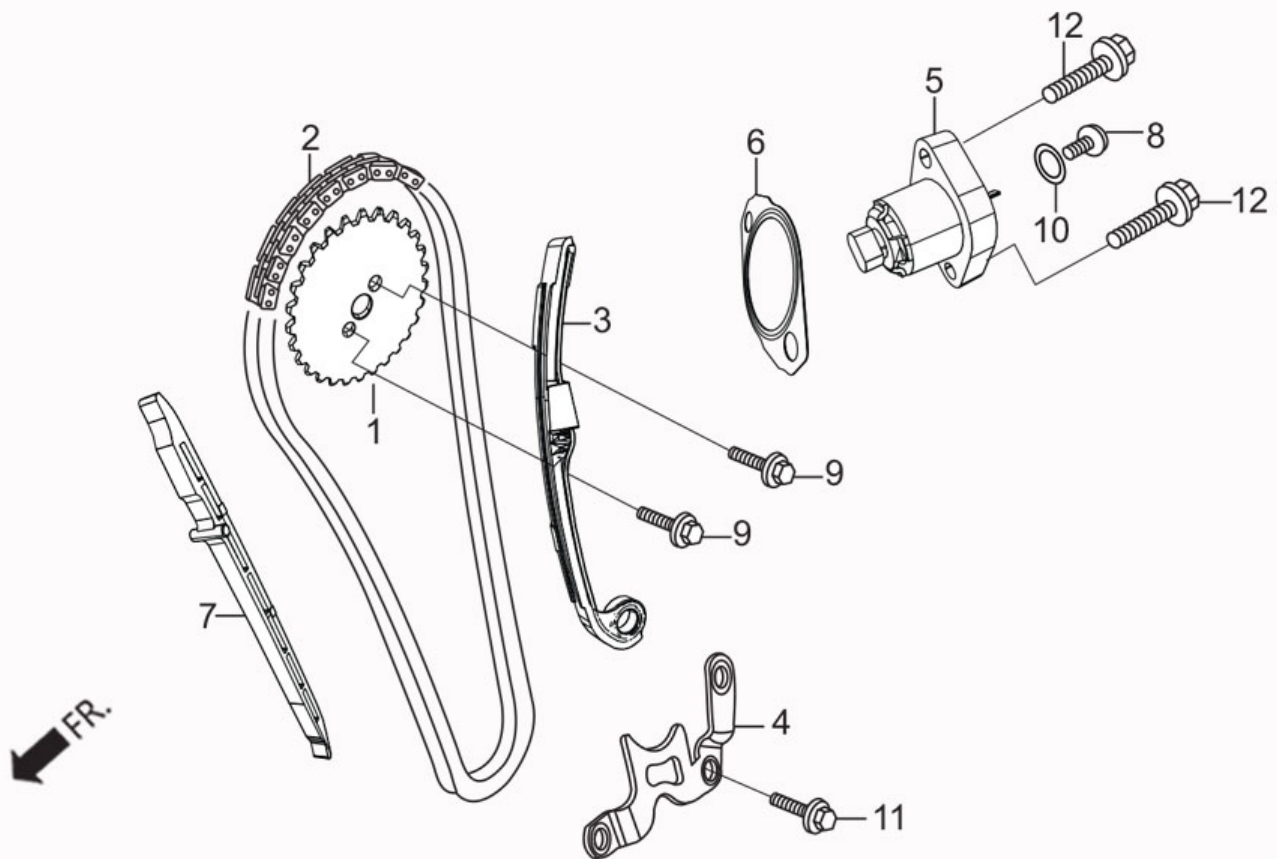


FR. ←

Group Number: E-1C Model :: Hunk 200R (Aug, 2018)

Ref No.	Part Number	Description	Req.
1	12209-AAN-410	SEAL VALVE STEM	2
2	14100-ABF-000	SHAFT COMP CAM	1
3	14430-ABF-000	ARM COMP VALVE ROCKER	2
4	14451-ABF-000	SHAFT ROCKER ARM	2
5	14711-ABF-000	VALVE INLET	1
6	14721-ABF-000	VALVE EXHAUST	1
7	14751-ABF-000	SPRING VALVE	2
8	14771-ABF-000	RETAINER, VALVE SPRING	2
9	14775-ABF-000	SEAT, VALVE SPRING	2
10	14781-MA6-000	COTTER, VALVE	4
11	90012-KK3-830	SCREW, TAPPET ADJUSTING	2
12	90206-250-000	NUT, TAPPET ADJUSTING	2
13	91008-KTN-900	BRG. BALL RADIAL, 12 X 28 X 8	1

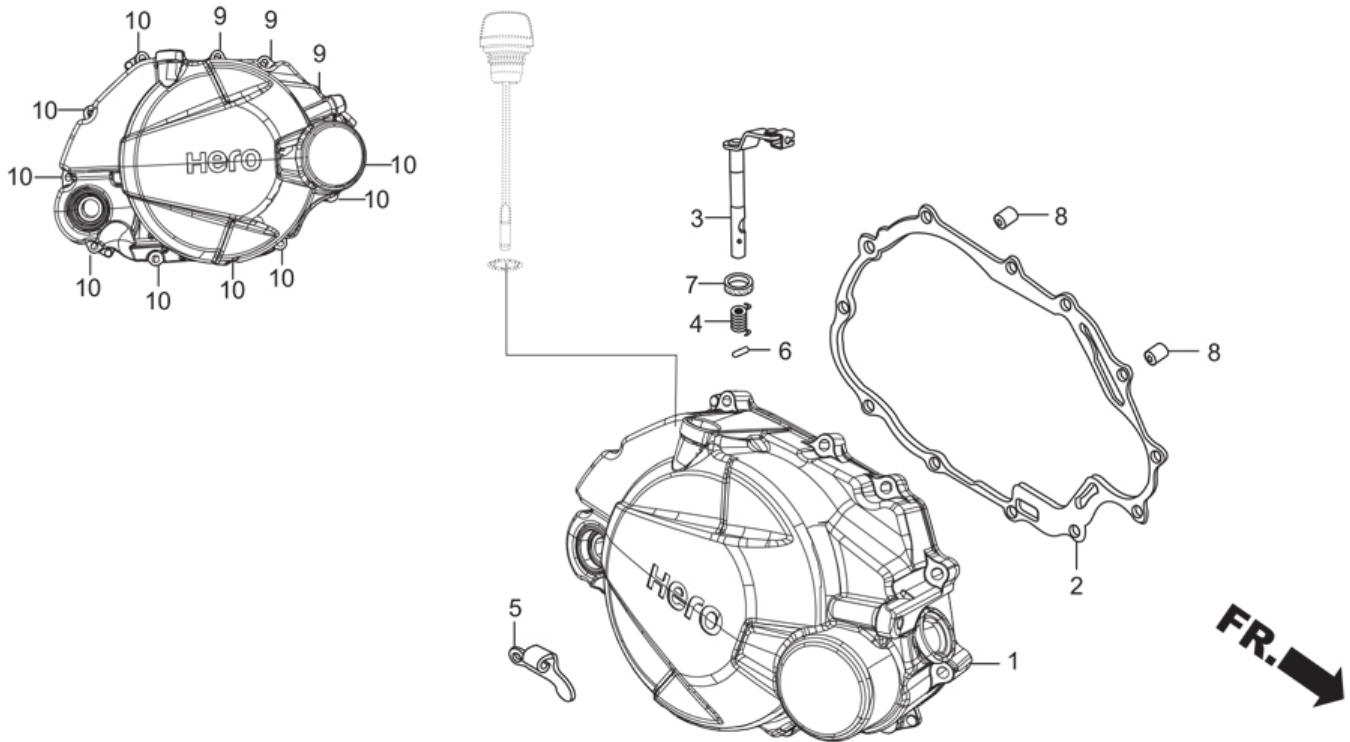
E-2 : CAM SHAFT (CAM CHAIN TENSIONER)



Group Number: E-2 **Model ::** Hunk 200R (Aug, 2018)

Ref No.	Part Number	Description	Req.
1	14321-AAB-A00	SPROCKET CAM	1
2	14401-AAB-A00	CHAIN CAM	1
3	14510-AAB-A00	TENSIONER ASSY CAM CHAIN	1
4	14515-KRM-840	PLATE, TENSIONER SET	1
5	14520-AAB-A0099	LIFTER ASSY TENSIONER	1
6	14560-KSP-910	GASKET, TENSIONER LIFTER	1
7	14610-AAB-A00	GUIDE CAM CHAIN	1
8	95701-06006-00	BOLT FLANGE 6X6	1
9	90083-KRM-840	BOLT, KNOCK, 5 MM	2
10	91306-MG3-000	O- RING, 1.5X9.5	1
11	95701-06016-00	BOLT, FLANGE, 6X16	1
12	96001-06022-00	BOLT, FLANGE, SH. 6 X 22	2

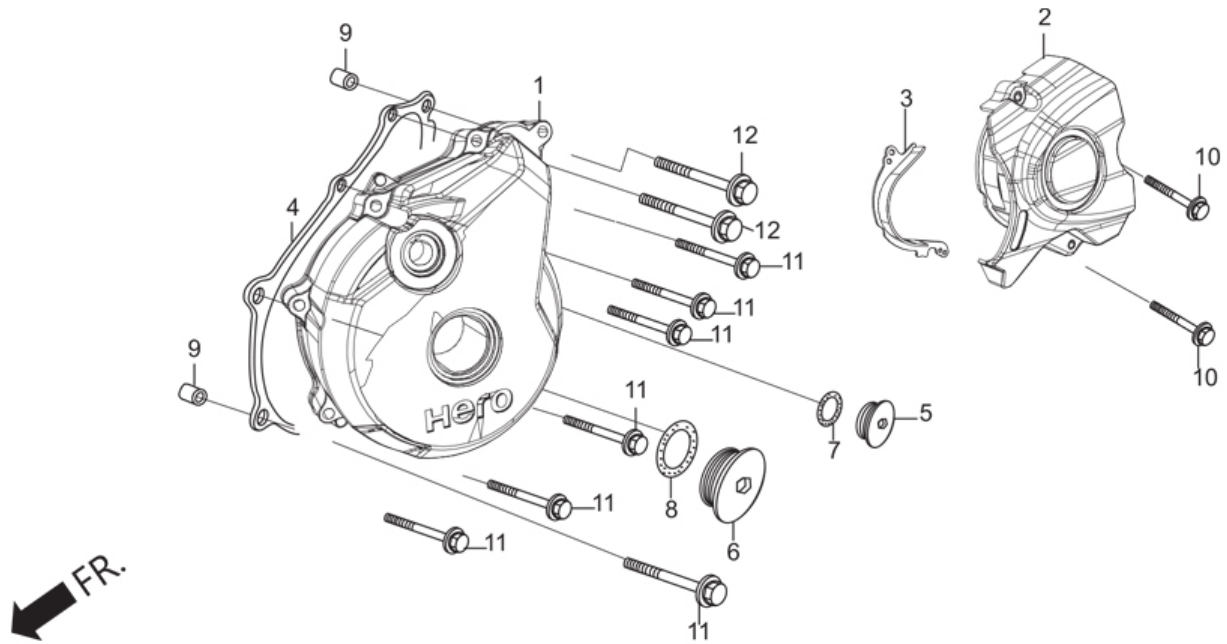
E-3 : CRANK CASE & COVER (RIGHT CRANK CASE COVER)



Group Number: E-3 Model :: Hunk 200R (Aug, 2018)

Ref No.	Part Number	Description	Req.
1	11330-AAB-A00	COVER COMP R CRANK CASE	1
2	11393-KWK-900	GASKET, RIGHT COVER	1
3	22810-KRM-B00	LEVER COMP CLUTCH	1
4	22815-428-000	SPRING, CLUTCH LEVER	1
5	22821-KRM-840	RECEIVER, CLUTCH CABLE	1
6	90701-KFN-850	PIN, SPRING, 3 X 10	1
7	91202-KSP-911	OIL SEAL, 12 X 18 X 4	1
8	94301-08140	DOWEL PIN, 8X14	2
9	96001-06030-00	BOLT, FLANGE, SH., 6 X 30	3
10	96001-06040-00	BOLT, FLANGE, SH. 6 X 40	9

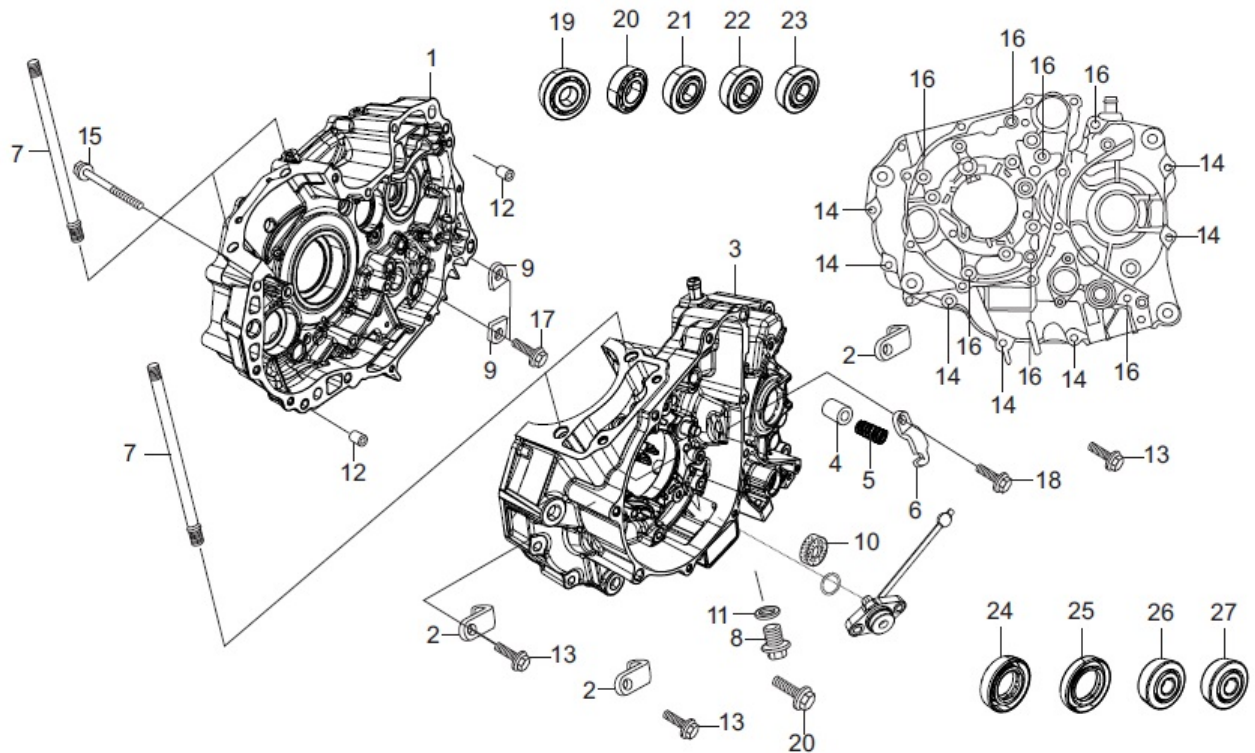
E-3A : CRANK CASE & COVER (LEFT CRANK CASE COVER)



Group Number: E-3A Model :: Hunk 200R (Aug, 2018)

Ref No.	Part Number	Description	Req.
1	11341-AAB-A00	COVER LEFT CRANK CASE	1
2	11360-AAB-A00	COVER COMPL L REAR	1
3	11365-AAB-A00	GUIDE DRIVE CHAIN	1
4	11395-KWK-900	GASKET, L COVER	1
5	90084-KVE-930	CAP 14 MM	1
6	90087-KVE-900	CAP, 32 MM	1
7	91303-KRM-840	O-RING 13.8 X 2.5	1
8	91305-KRM-840	O-RING 31.7 X 2.4	1
9	94301-08140	DOWEL PIN, 8X14	2
10	96001-06030-00	BOLT, FLANGE, SH., 6 X 30	2
11	96001-06035-00	BOLT, FLANGE, SH. 6 X 35	7
12	96001-06045-00	BOLT, FLANGE, SH. 6 X 45	2

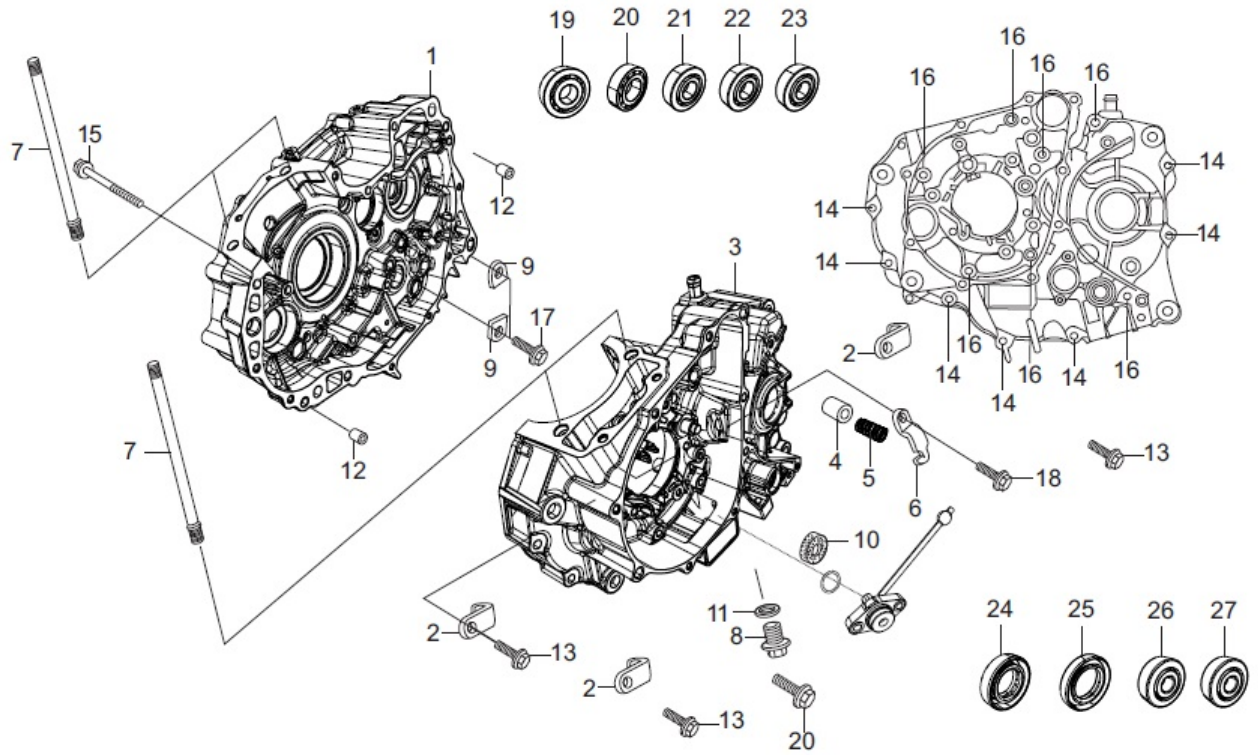
E-3B : CRANK CASE & COVER (CRANK CASE)



Group Number: E-3B Model :: Hunk 200R (Aug, 2018)

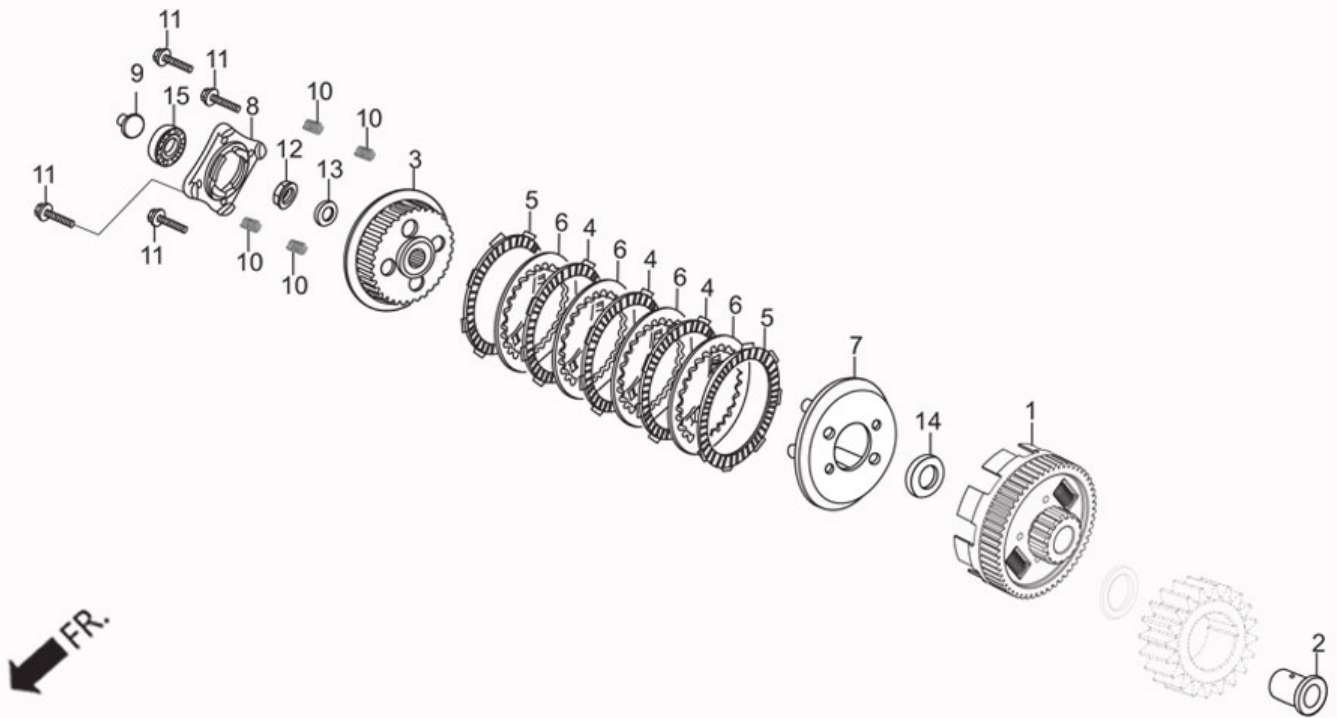
Ref No.	Part Number	Description	Req.
1	1110A-ABF-000	R CRANKCASE INSTL DWG	1
2	11108-KTN-900	PLATE L BRG SET	3
3	11200-ABF-000	CRANK CASE COMP LEFT	1
4	11215-KSP-910	PLUG BRG PUSH	1
5	11216-AAB-A00	SPRING BRG PUSH	1
6	11217-KRM-840	PLATE BRG PUSH	1
7	90031-KSP-910	BOLT STUD CYLN 8 X 140	4
8	90131-KRM-840	BOLT, PLUG, DRAIN, 12 MM	1
9	90441-KRM-840	PLATE, BRG. HOLD	2
10	91203-KSP-910	OIL SEAL, 14 X 22 X 5	1
11	94109-12000	WASHER, PLUG, DRAIN	1
12	94301-08140	DOWEL PIN, 8X14	2
13	95701-06016-00	BOLT, FLANGE, 6X16	3
14	95701-06040-00	BOLT FLANGE 6X40	7
15	95701-06045-00	BOLT, FLANGE, SH. 6 X45	1
16	95701-06070-00	BOLT, FLANGE, SH. 6 X70	7
17	96001-06018-00	BOLT, FLANGE, 6 X 18	1
18	95701-06014-00	BOLT, FLANGE, 6 X 14	1
19	91001-GF6-000	BEARING, RADIAL BALL, 6304	1
20	91001-KTN-900	BRG. ROLLER, 30 X 58 X 17	1
21	91003-KSP-910	BRG. BALL RADIAL, 17 X 42 X 12	1
22	91004-KTN-900	BRG. BALL RADIAL, 17 X 40 X 12	1
23	91010-ABF-001	BRG BALL RADIAL 12X32X10	1
24	91204-MC7-003	OIL SEAL, 16 X 28 X 7	1

E-3B : CRANK CASE & COVER (CRANK CASE)



25	91216-KSP-910	OIL SEAL	1
26	96100-62030-00	BEARING, RADIAL BALL, 6203	1
27	96100-63010-00	BRG.BALL RADIAL 6301	1

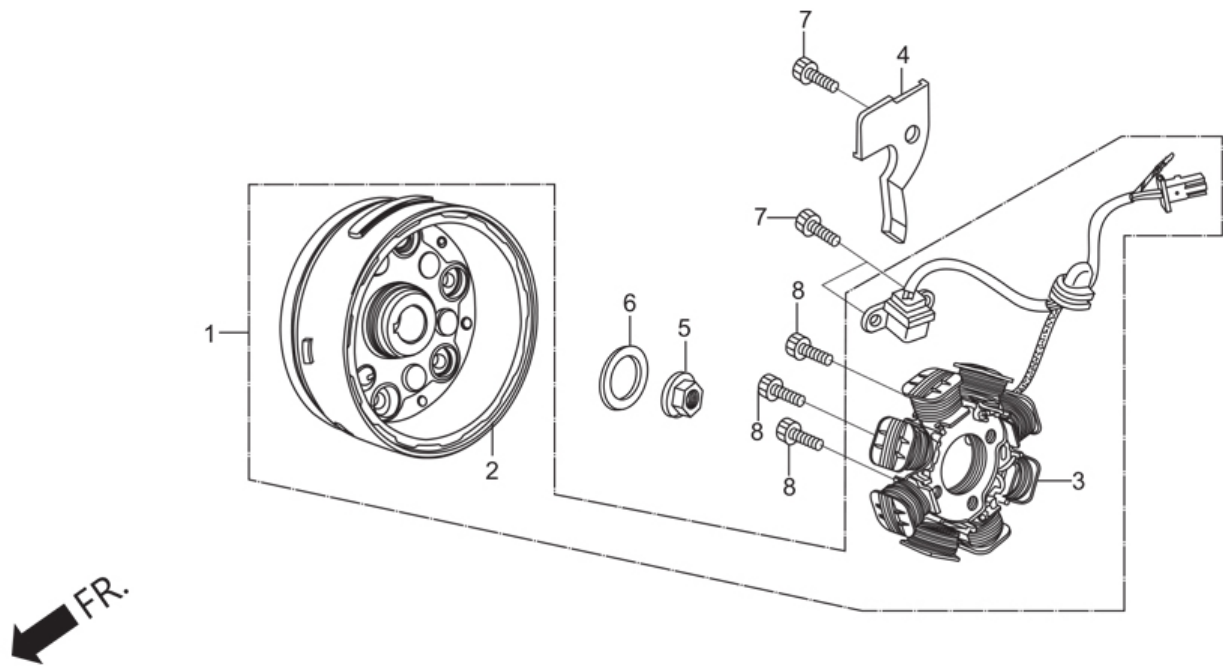
E-4 : CLUTCH



Group Number: E-4 Model :: Hunk 200R (Aug, 2018)

Ref No.	Part Number	Description	Req.
1	22100-KTN-900	OUTER COMP., CLUTCH	1
2	22115-KSP-910	GUIDE, CLUTCH OUTER	1
3	22120-KRM-840	CENTRE CLUTCH	1
4	22201-KPM-850	DISK,CLUTCH FRICTION,4 X 8 X 45	3
5	22201-MR8-000	DISC CLUTCH FRICTION	2
6	22321-KPS-900	PLATE, CLUTCH	4
7	22355-KRM-840	PLATE, CLUTCH PRESSURE	1
8	22361-KPK-900	PLATE,CLUTCH LIFTER	1
9	22366-KSP-910	ROD, CLUTCH LIFTER	1
10	22401-ABF-000	SPRING CLUTCH	4
11	90008-KRM-840	BOLT, FLANGE 6 X 25	4
12	90202-KRM-840	NUT SPL FLANGE 14MM	1
13	90401-KRM-840	WASHER PLAIN 17MM	1
14	90501-KPT-A00	WASHER 14.1X29X2.8	1
15	96100-60030-00	BEARING, RADIAL BALL, 6003	1

E-5 : ELECTRICALS (AC GEN ASSY)

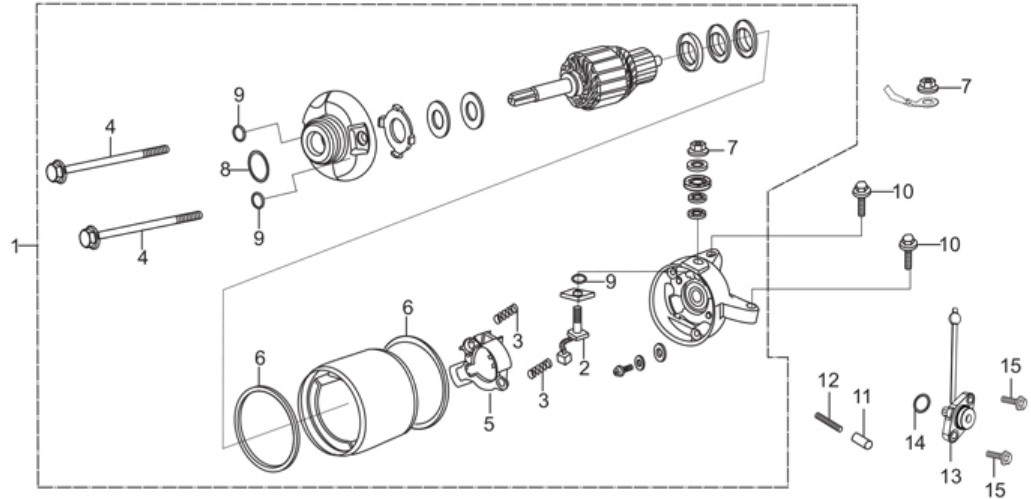


Group Number: E-5 Model :: Hunk 200R (Aug, 2018)

Ref No.	Part Number	Description	Req.
1	31100-KSP-B01	AC GEN ASSY	1
2	31110-KSP-B01	FLYWHEEL COMP	1
3	31120-KSP-B01	STATOR COMP	1
4	32111-KSP-910	CLAMPER, ACG CORD	1
5	90201-KRM-840	NUT, FLANGE, 14 MM	1
6	90501-KPT-A00	WASHER 14.1X29X2.8	1
7	96600-06016-00	BOLT, SOCKET, 6 X 16	3
8	96600-06022-00	SOCKET BOLT 6X22	3

E-5A : ELECTRICALS STARTER MOTOR)

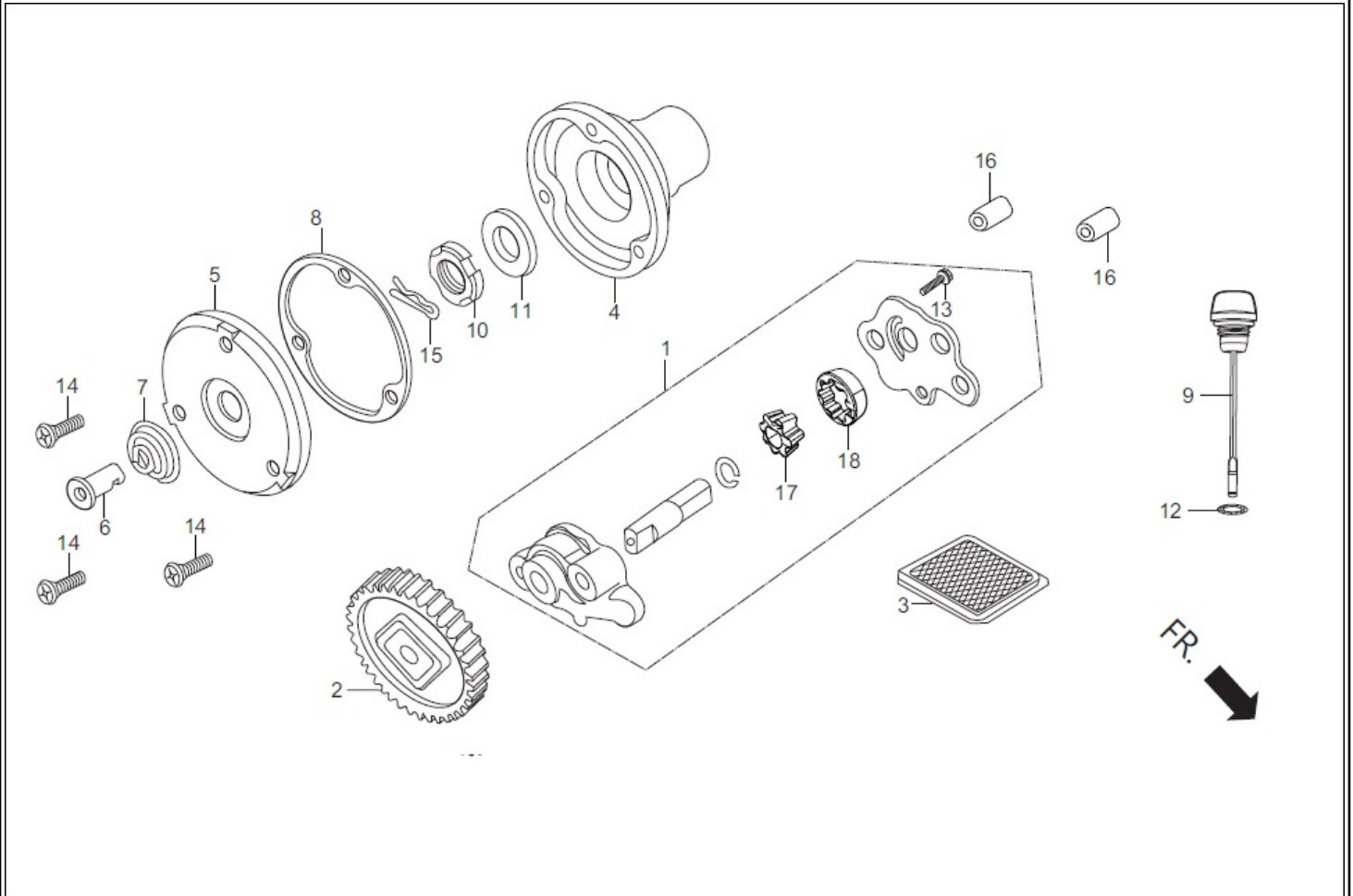
FR.



Group Number: E-5A Model :: Hunk 200R (Aug, 2018)

Ref No.	Part Number	Description	Req.
1	31200-KSP-901	MOTOR ASSY., STARTER	1
2	31201-KPT-A01	BRUSH, TERMINAL SET	1
3	31204-KG8-004	BRUSH, SPRING	2
4	31205-KTC-921	BOLT, SET	2
5	31206-KPH-881	BRUSH, HOLDER SET	1
6	31207-MBE-008	RING	2
7	90071-MB0-000	NUT, WASHER, 6 MM	2
8	91309-425-003	O RING 24.4X3.1	1
9	91320-MB0-000	O RING	3
10	95701-06022-00	BOLT, FLANGE, SH. 6 X 22	2
11	35751-KPH-900	CAP, CONTACT CHANGE SW.	1
12	35752-KRM-840	SPRING, CONN. CHANGE SW.	1
13	35759-AAB-000	CONTACT ASSY NEUTRAL SW	1
14	91305-KPH-900	O-RING,19.4 X 2.3	1
15	95701-06020-00	BOLT, FLANGE, 6X20	2

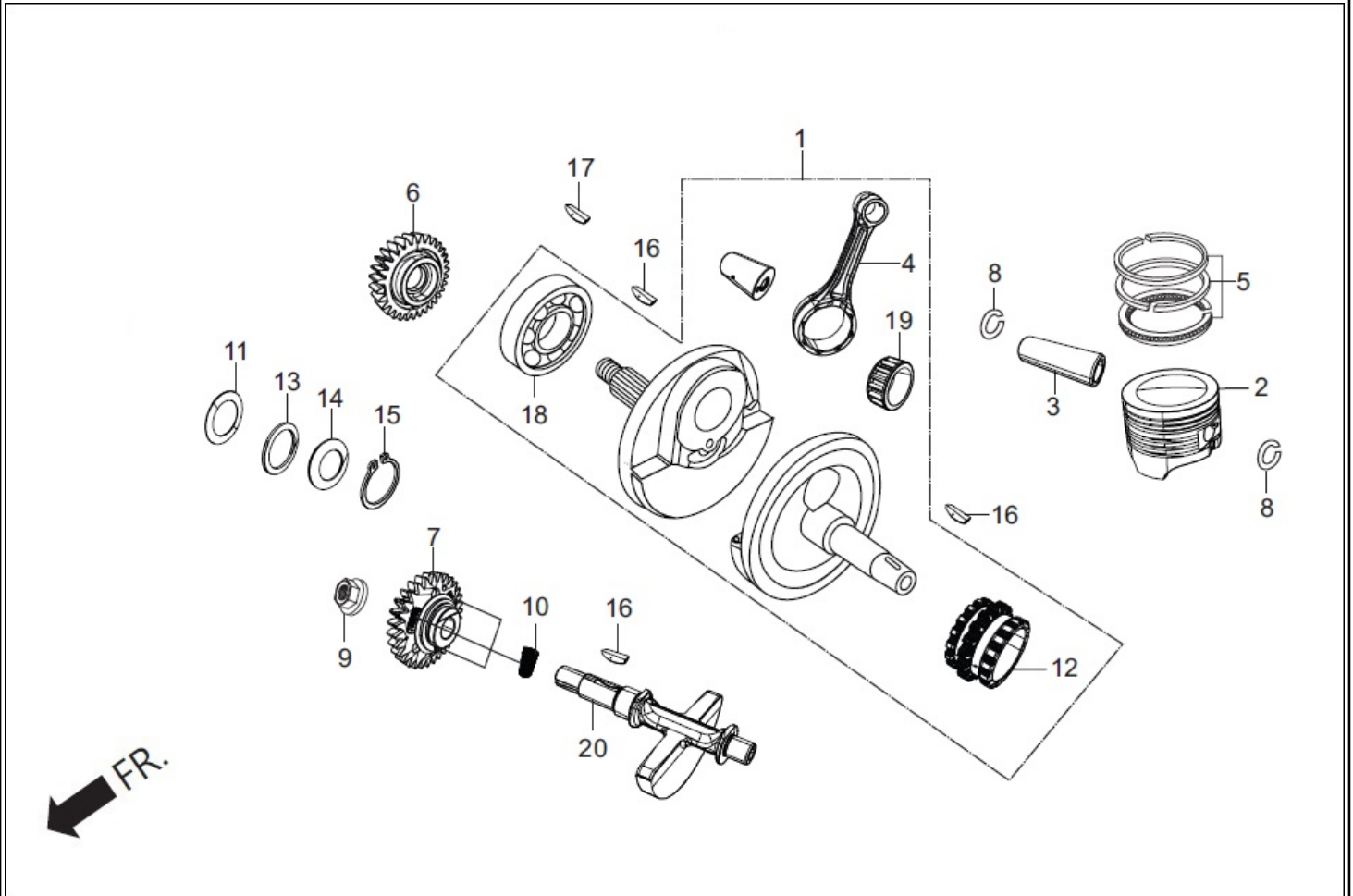
E-6 : OIL PUMP ASSY.



Group Number: E-6 Model :: Hunk 200R (Aug, 2018)

Ref No.	Part Number	Description	Req.
1	15100-ABF-000	OIL PUMP ASSEMBLY	1
2	15130-KRM-840	GEAR COMP., OIL PUMP	1
3	15421-KTN-900	SCREEN, OIL FILTER	1
4	15430-KSP-910	ROTOR, OIL FILTER	1
5	15436-KRM-840	CAP, OIL FILTER ROTOR	1
6	15441-KCS-650	OIL, THROUGH	1
7	15446-107-000	SPRING, OIL THROUGH	1
8	15459-AAB-A00	GASKET OIL FILTER CAP	1
9	15650-KVN-970	GAUGE,OIL LEVEL	1
10	90231-KM7-700	NUT, LOCK, 14 MM	1
11	90432-KPT-A00	WASHER, 14.2 X 26 X 3	1
12	91307-KRM-840	O-RING, 18 X 3	1
13	93600-06040-0G	SCREW FLAT 6X40	1
14	93700-05012-0A	SCREW, OVAL, 5X12	3
15	94251-08000	PIN LOCK, 8 MM	1
16	94301-08140	DOWEL PIN, 8X14	2
17	15331-ABF-000	ROTOR INNER OIL PUMP	1
18	15332-ABF-000	ROTOR OUTER OIL PUMP	1

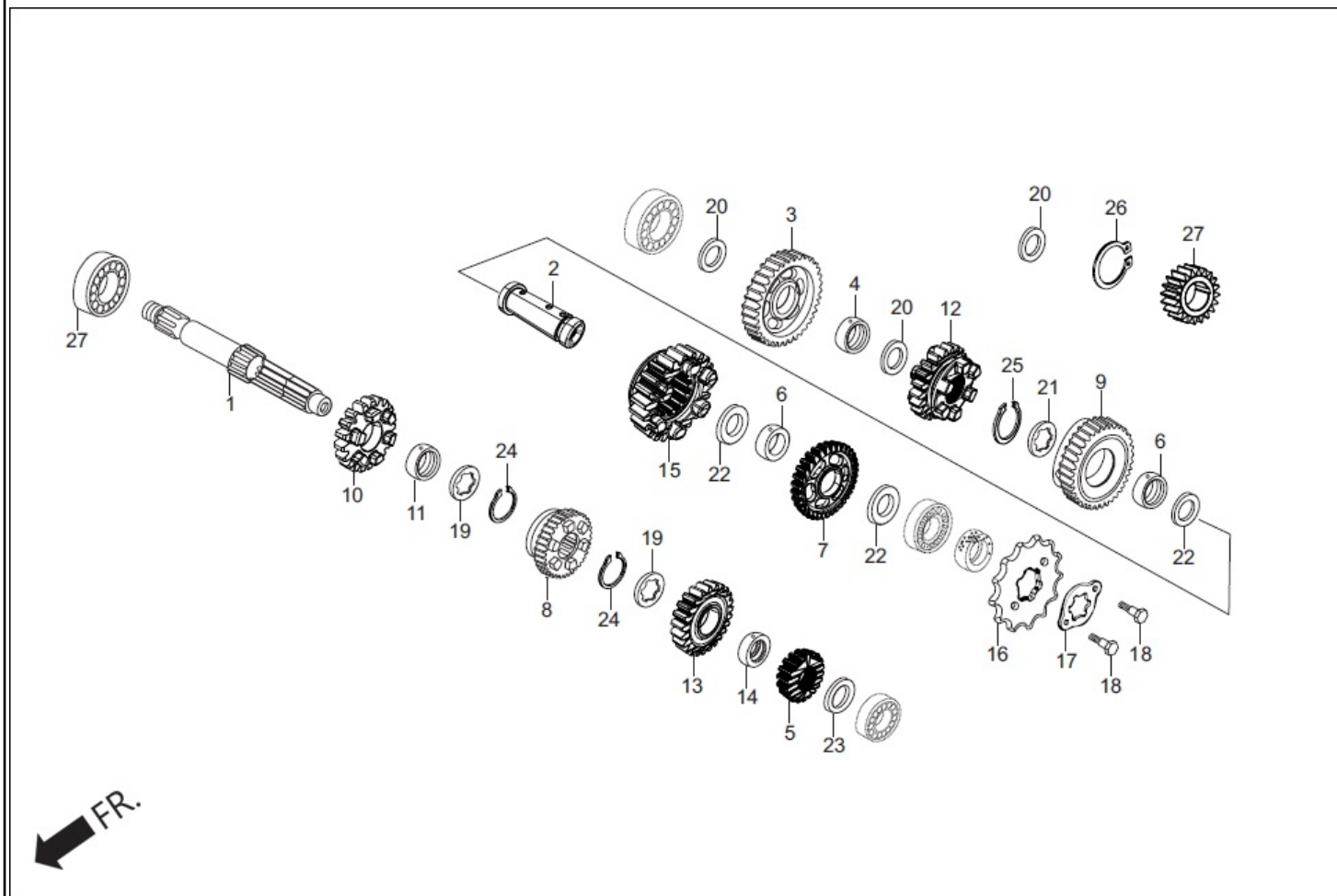
E-7 : CRANK SHAFT (CRANK SHAFT / PISTON)



Group Number: E-7 Model :: Hunk 200R (Aug, 2018)

Ref No.	Part Number	Description	Req.
1	13000-ABF-000	CRANK SHAFT COMP	1
2	13101-ABF-000	PISTON	1
3	13111-ABF-000	PIN PISTON	1
4	13201-ABF-000	ROD CONNECTING	1
5	13011-ABF-001	RING SET PISTON STD	1
6	13411-AAB-A00	GEAR BALANCER DRIVE	1
7	13420-AAB-A00	GEAR ASSY BALANCER DRIVEN	1
8	94601-15000	CLIP,PISTON PIN,15 MM	2
9	94050-12000	NUT, FLANGE, 12 MM	1
10	13427-AAB-A00	SPRING DAMPER	3
11	13538-AAB-A00	SPRING THRUST	1
12	14311-AAB-A00	SPROCKET TIMING	1
13	90402-AAB-A00	WASHER 28.1X36.5X1.8	1
14	90403-AAB-A00	WASHER 28.1X45.5X1.4	1
15	90604-AAB-A00	CIRCLIP EXTERNAL 28	1
16	90741-KGH-900	KEY, WOODRUFF, 4 MM	3
17	90741-KFB-000	KEY,WOODRUFF,4 MM	1
18	91002-KSP-911	BRG. BALL, RADIAL, 6207 SPL. L	1
19	91101-ABF-000	CON ROD BRG RED	1
	91102-ABF-000	CON ROD BRG BLUE	1
	91103-ABF-000	CON ROD BRG WHITE	1
20	13421-ABF-000	BALANCER SHAFT	1

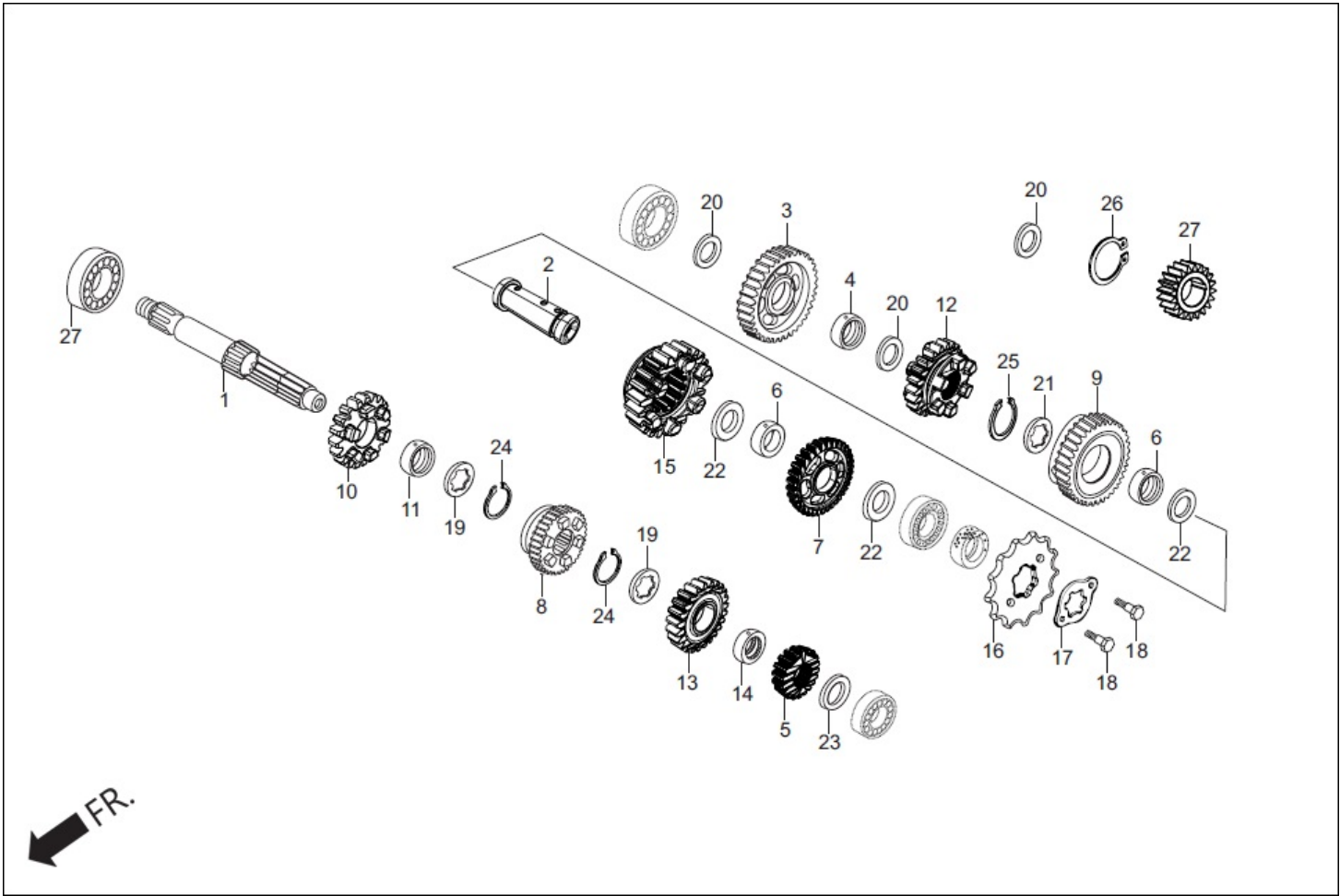
E-8 : TRANSMISSION



Group Number: E-8 Model :: Hunk 200R (Aug, 2018)

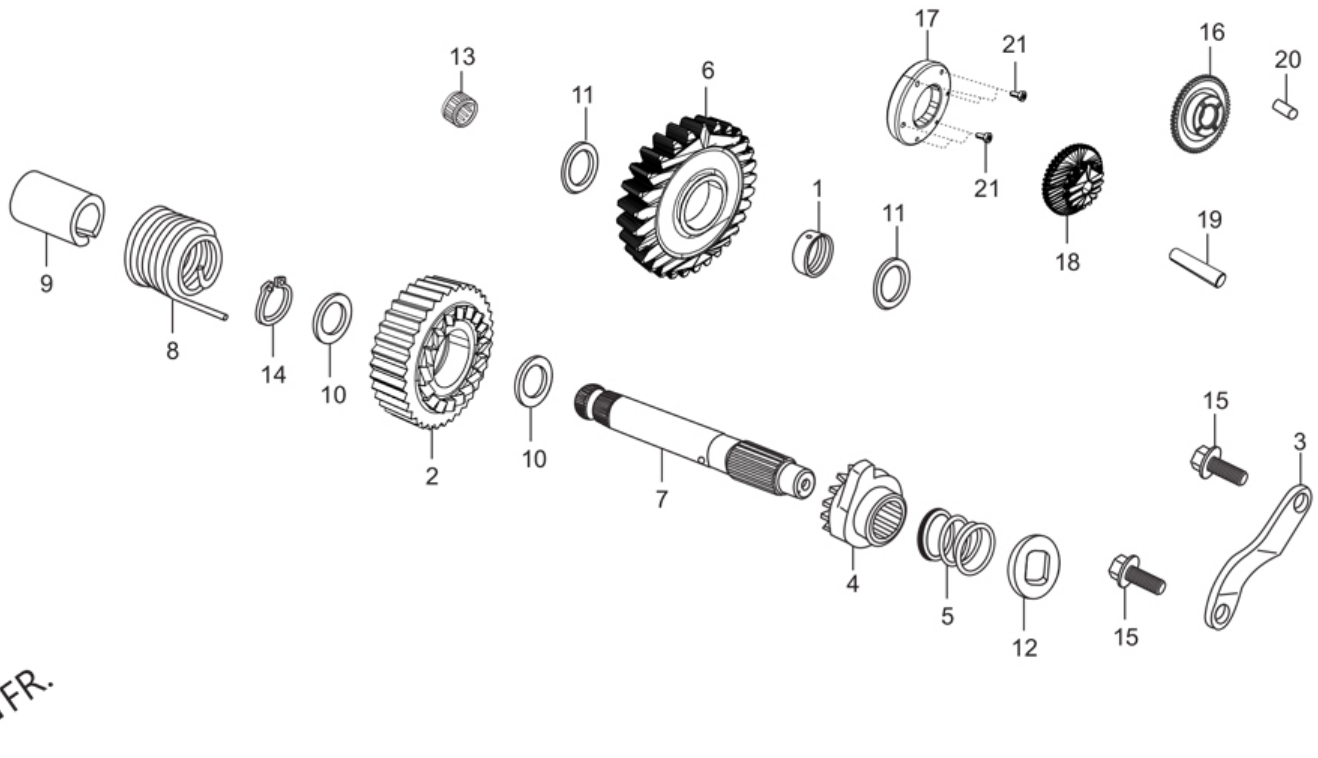
Ref No.	Part Number	Description	Req.
1	23210-KVN-900	SHAFT COMP., MAIN TRANS	1
2	23220-AAB-A00	SHAFT COMP COUNTER	1
3	23421-KVN-900	GEAR, C-1, (40 T)	1
4	23427-KRM-840	BUSH, 17 X 20.5 X 8	1
5	23431-AAB-A00	GEAR M-2 (19T)	1
6	23432-KRM-840	BUSH, 20 MM	2
7	23441-AAB-A00	GEAR C-2 (34T)	1
8	23451-KVN-900	GEAR, M3, (23 T)	1
9	23461-KVN-900	GEAR, C3, (30 T)	1
10	23471-AAB-A00	GEAR M-4 (20T)	1
11	23472-KSP-910	BUSH 17 MM	1
12	23481-AAB-A00	GEAR C-4 (22T)	1
13	23491-AAB-A00	GEAR M-5 (24T)	1
14	23492-KSP-910	COLLAR SPLINE 17X20X11	1
15	23501-AAB-A00	GEAR C-5 (23T)	1
16	23801-KRY-970	SPROCKET DRIVE 13T	1
17	23811-KR3-600	PLATE, A2 FIXING	1
18	90084-041-000	BOLT, DRIVE SPRKT, FIXING	2
19	90452-KRM-840	WASHER ,17 X 23 X1.6	2
20	90452-GB4-770	WASHER, THRUST, 17MM	3
21	90453-KRM-840	WASHER SPLINE 20 MM	1
22	90454-107-000	WASHER ,THRUST, 20MM	3
23	90456-KRM-840	WASHER, THURST, 12MM	1
24	90601-AAB-A00	CIRCLIP 17 MM	2

E-8 : TRANSMISSION



25	90605-200-000	SET RING, 20MM	1
26	90602-KRM-840	CIRCLIP, EXTERNAL, 17 MM	1
27	23121-KVE-860	GEAR PRIMARY DRIVE	1

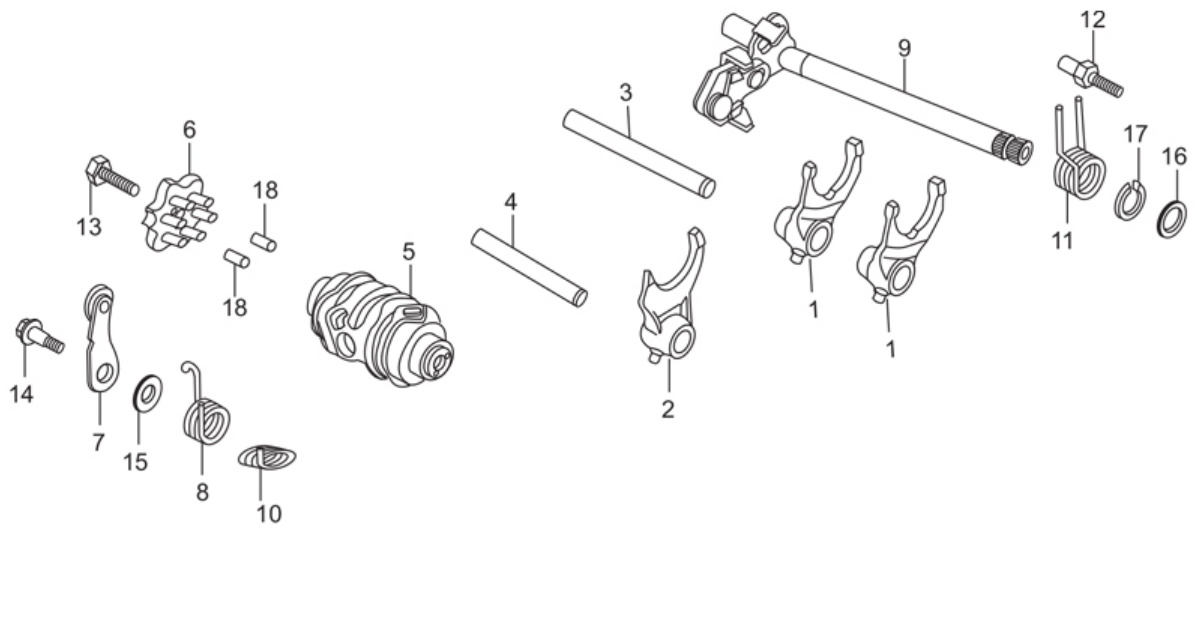
E-9 : KICK STARTER (SPINDLE KICK STARTER)



Group Number: E-9 Model :: Hunk 200R (Aug, 2018)

Ref No.	Part Number	Description	Req.
1	23427-KRM-840	BUSH, 17 X 20.5 X 8	1
2	28211-AAB-A00	PINION KICK STARTER	1
3	28215-KRM-840	PLATE, KICK STOPPER	1
4	28221-KTN-900	RATCHET, STARTER	1
5	28223-KRM-840	SPRING, RATCHET	1
6	28231-AAB-A00	GEAR KICK IDLE STARTER	1
7	28251-KTN-900	SPINDLE, KICK STARTER	1
8	28261-KRM-840	SPG., KICK RETURN	1
9	28282-KRM-840	COLLAR, KICK SPG.	1
10	90451-KRM-840	WASHER, THRUST, 16 MM	2
11	90452-GB4-770	WASHER, THRUST, 17MM	2
12	90455-KSP-910	WASHER, SPL., 14 MM	1
13	91022-KTN-900	BEARING NEEDLE, 22 X 29 X 16.8	1
14	94510-16000	CIRCLIP, EXTERNAL, 16 MM	1
15	95701-06016-00	BOLT, FLANGE, 6X16	2
16	28110-KTN-900	GEAR COMP., STARTER DRIVEN	1
17	28120-KTR-A00A	ASSY. ONEWAY CLUTCH	1
18	28131-KTN-900	GEAR STARTER REDUCTION	1
19	28132-KN6-930	SHAFT, REDUCTION GEAR	1
20	28133-KRM-850	COLLAR, STARTER REDUCTION	1
21	90085-KTC-920	BOLT, SOCKET, 6 X 14	6

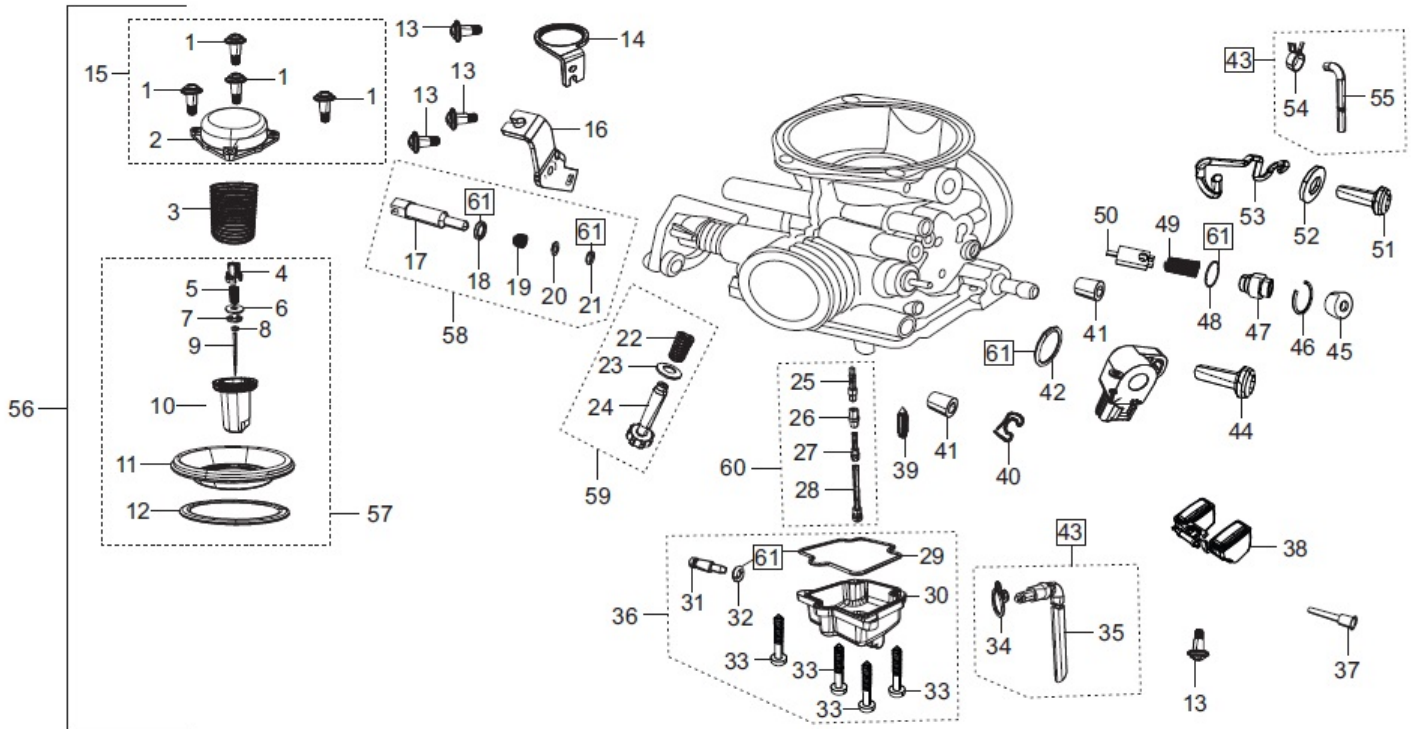
E-10 : GEAR SHIFT (DRUM GEAR SHIFT)



Group Number: E-10 Model :: Hunk 200R (Aug, 2018)

Ref No.	Part Number	Description	Req.
1	24211-KRM-840	FORK, R/L, GEAR SHIFT	2
2	24212-KRM-840	FORK, CENTER, GEAR SHIFT	1
3	24241-KRM-840	SHAFT, A GEAR SHIFT FORK	1
4	24242-KRM-840	SHAFT, B GEAR SHIFT FORK	1
5	24301-KSP-910	DRUM GEAR SHIFT	1
6	24410-KSP-860	PLATE, COMP., SHIFT DRUM STOPPER	1
7	24430-KTN-900	STOPR COMP., GEAR SHIFT DRUM	1
8	24436-KSP-910	SPRING, DRUM STOPPER	1
9	24610-KSP-910	SPINDLE, COMP., GEAR SHIFT	1
10	24627-KRM-840	SPRING GEAR SHIFTER RESET	1
11	24651-KSP-910	SPRING, SHIFT RETURN	1
12	24652-KSP-910	PIN, SHIFT, RETURN SPRING	1
13	90003-KVS-900	BOLT HEX.6X20	1
14	90022-MG8-000	PIVOT, SHIFT DRUM STOPR. ARM	1
15	90417-KRM-840	WASHER DRUM STOPPER	1
16	90457-KRM-840	WASHER, 14 MM	1
17	94510-14000	CIRCLIP, EXTERNAL, 14 MM	1
18	96220-30085	ROLLER, 3 X 8.5	2

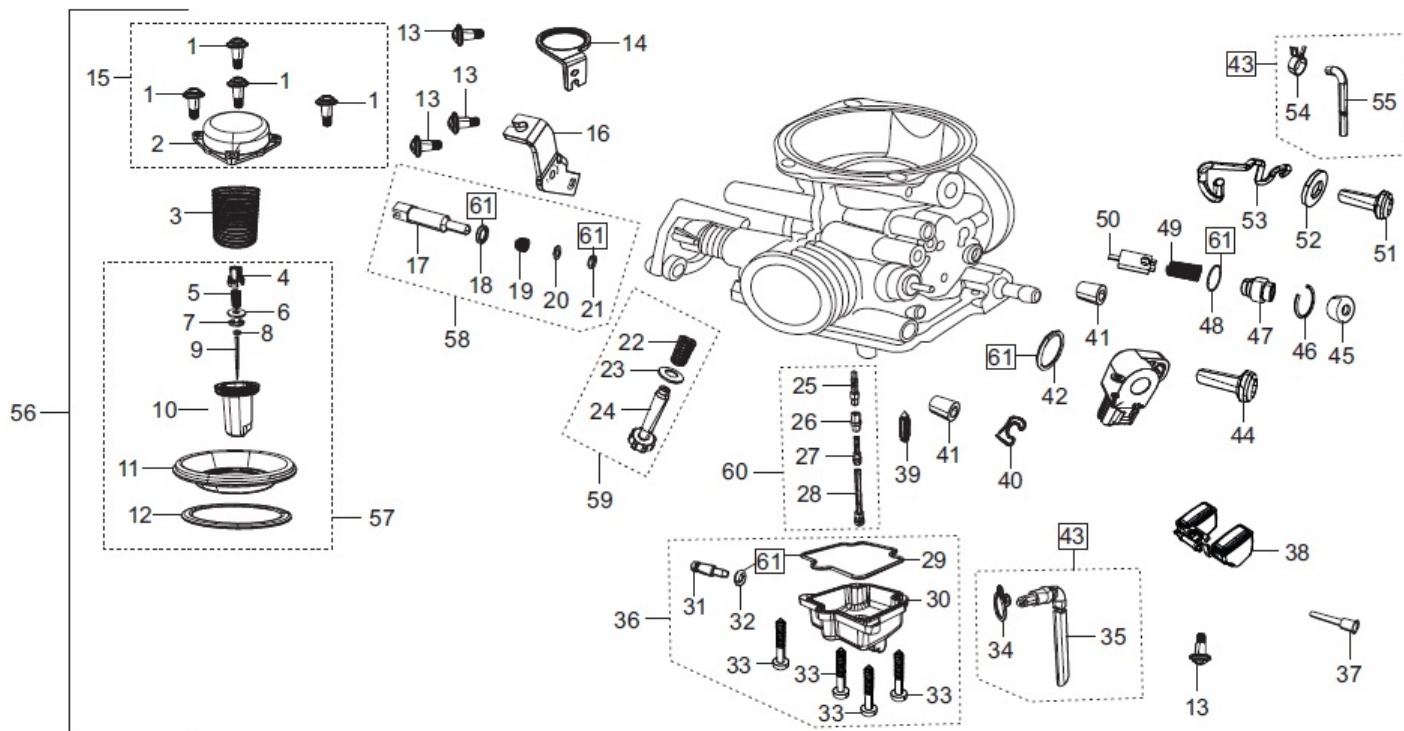
E-11 : CARBURETTOR



Group Number: E-11 Model :: Hunk 200R (Aug, 2018)

Ref No.	Part Number	Description	Req.
1	16023-AAB-A00	SCREW DH COVER	4
2	16012-AAB-A00	DIAPHRAGM COVER	1
3	16018-AAB-A00	SPRING	1
4	16086-AAB-A00	HOLDER	1
5	16083-AAB-A00	SPRING	1
6	16087-AAB-A00	WASHER	1
7	16081-AAB-A00	E RING	1
8	16082-AAB-A00	RING	1
9	16084-AAB-A00	JET NEEDLE	1
10	16022-AAB-A00	PISTON VALVE ASSEMBLY	1
11	16013-AAB-A00	DIAPHRAGM	1
12	16085-AAB-A00	RING	1
13	16021-AAB-A00	SCREW FLOAT	4
14	16054-AAB-A00	BRACKET	1
15	16006-AAB-A00	TOP COVER ASSY SET	1
16	16024-AAB-A00	BRACKET TH CABLE	1
17	16044-AAB-A00	ADJUSTER	1
18	16043-AAB-A00	O RING PS HEAD	1
19	16045-AAB-A00	SPRING	1
20	16046-AAB-A00	WASHER	1
21	16047-AAB-A00	O RING	1
22	16042-AAB-A00	SPRING IDLE ADJUSTER	1
23	16052-AAB-A00	PACKING IDLE ADJUSTER	1
24	16041-AAB-A00	ADJUSTER IDLE ADJUSTER	1

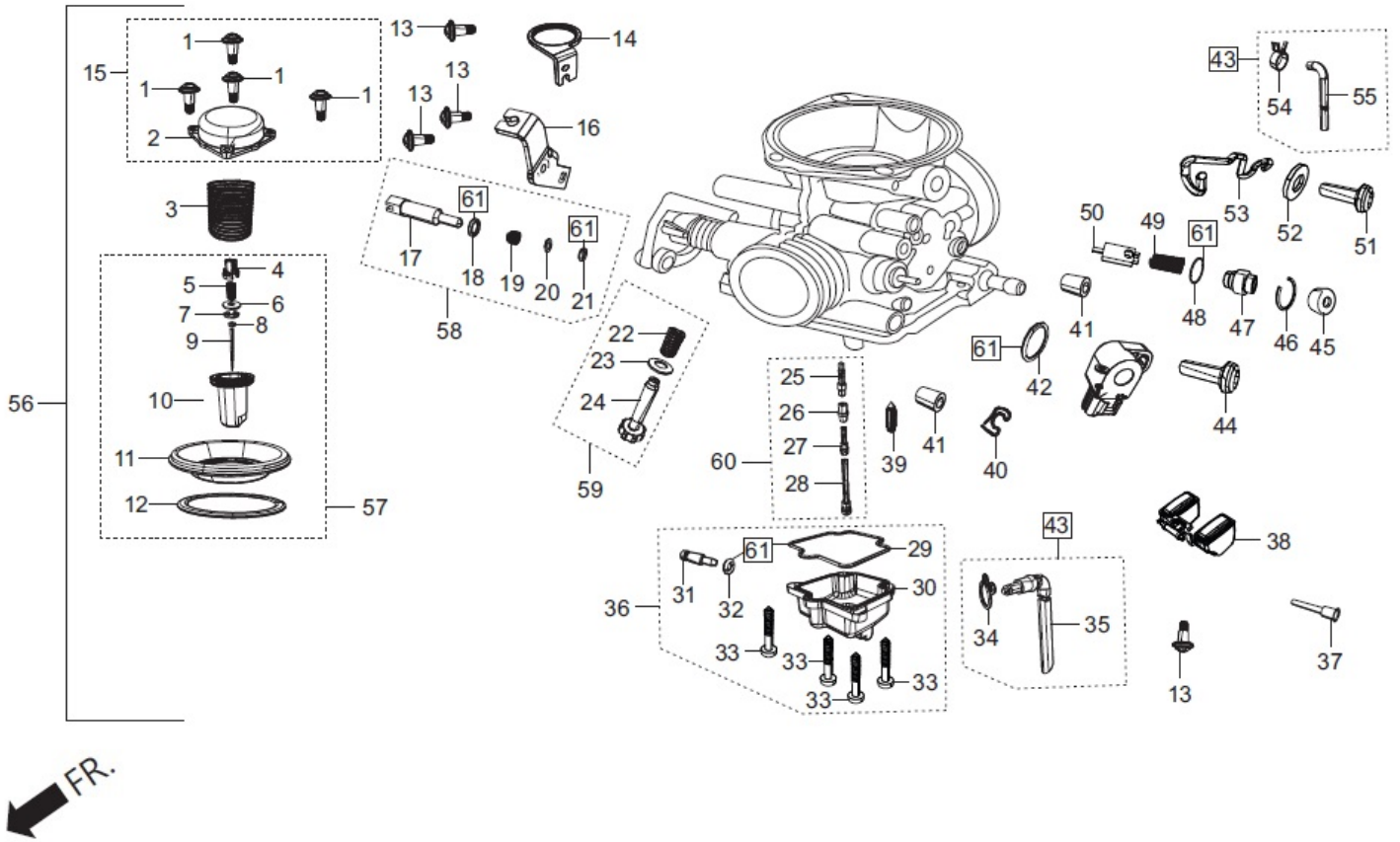
E-11 : CARBURETTOR



FR. ←

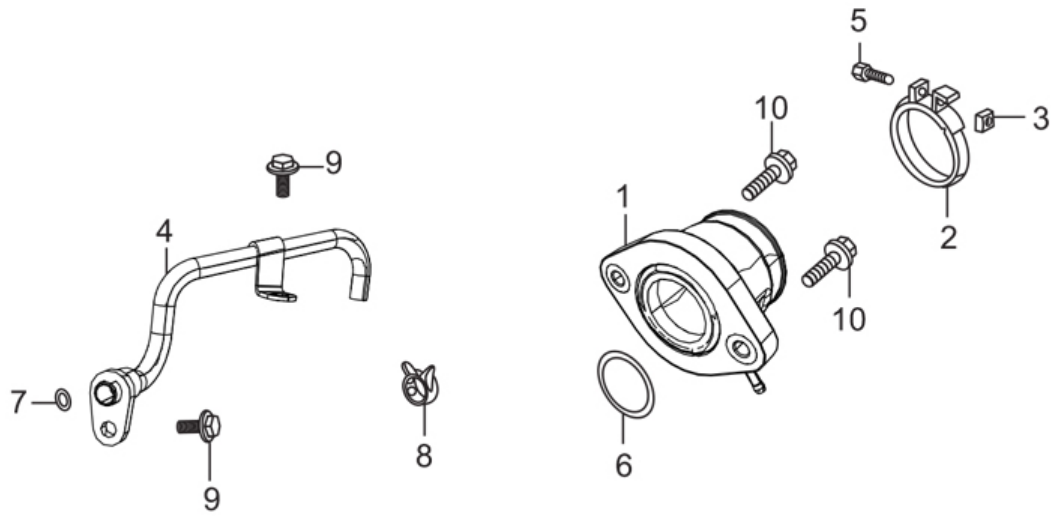
25	16048-AAB-A00	PILOT JET	1
26	16088-AAB-A00	NEEDLE JET	1
27	16165-AAB-A00	JET HOLDER	1
28	16020-AAB-A00	MAIN JET	1
29	16032-AAB-A00	O RING	1
30	16051-AAB-A00	FLOAT BODY ASSEMBLY	1
31	16049-AAB-A00	DRAIN SCREW	1
32	16050-AAB-A00	O RING DRAIN	1
33	16033-AAW-001	SCREW ASSEMBLY (FCB)	4
34	16031-AAB-A00	CLIP DRAIN HOSE	1
35	16033-AAB-A00	HOSE DRAIN	1
36	16005-AAB-A00	FLOAT CHAMBER SET	1
37	16011-AAB-A00	FLOAT PIN	1
38	16019-AAB-A00	FLOAT ASSEMBLY	1
39	16155-AAB-A00	NEEDLE ASSEMBLY	1
40	16029-AAB-A00	CLIP	1
41	16056-AAB-A00	DUST CAP FUEL INLET & PURGE NIPPLE	2
42	16071-AAB-A00	O RING TPS	1
43	16008-AAB-A00	DRAIN AND VENT HOSE SET	1
44	16026-AAB-A00	SCREW TPS	1
45	16008-AAW-001	CAP	1
46	16029-AAW-001	CLIP	1
47	16023-AAW-001	GUIDE HOLDER	1
48	16072-AAW-001	ORING (GUIDE HOLDER)	1
49	16053-AAB-A00	SPRING GUIDE HOLDER	1
50	16024-AAW-001	PLUNGER ASSEMBLY	1

E-11 : CARBURETTOR



51	16059-AAB-A00	SCREW ASSEMBLY	1
52	16058-AAB-A00	WASHER	1
53	16057-AAB-A00	WIRE CLIP TPS WIRE HOLDING	1
54	16027-AAB-A00	CLIP AIR VENT HOSE	1
55	16028-AAB-A00	HOSE AIR VENT	1
56	16100-AAB-A00	CARBURETOR ASSY	1
57	16001-AAB-A00	DIAPHRAGM ASSY SET	1
58	16002-AAB-A00	PILOT SCREW SET	1
59	16003-AAB-A00	IDLE ADJUSTER SET	1
60	16004-AAB-A00	JET SET	1
61	16007-AAB-A00	O RING AND GESKET SET	1

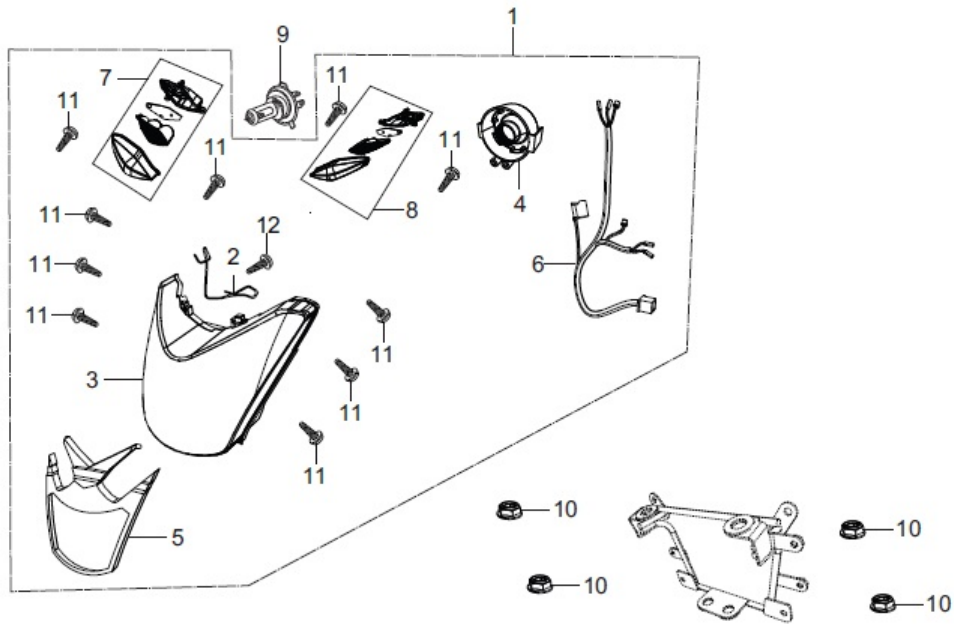
E-11A : EXHAUST (AIR FEED PIPE/INLET PIPE)



Group Number: E-11A Model :: Hunk 200R (Aug, 2018)

Ref No.	Part Number	Description	Req.
1	16200-AAB-A00	INSULATOR ASSY CARB	1
2	16217-KSP-910	BAND INSULATOR	1
3	16222-KSP-910	NUT, SQUARE, 5 MM	1
4	18640-AAB-A00	PIPE COMP AIR FEED	1
5	90006-MEE-000	BOLT RECESSED 5 X 30	1
6	91304-KRM-840	O-RING 33.5 X 3.0	1
7	91309-MJ0-003	O-RING, 9.8 X 2.8	1
8	95002-40800-08	CLAMP D 8.0 TUBE	1
9	95701-06016-00	BOLT, FLANGE, 6X16	2
10	96001-06022-00	BOLT, FLANGE, SH. 6 X 22	2

F-1 : HEAD LIGHT

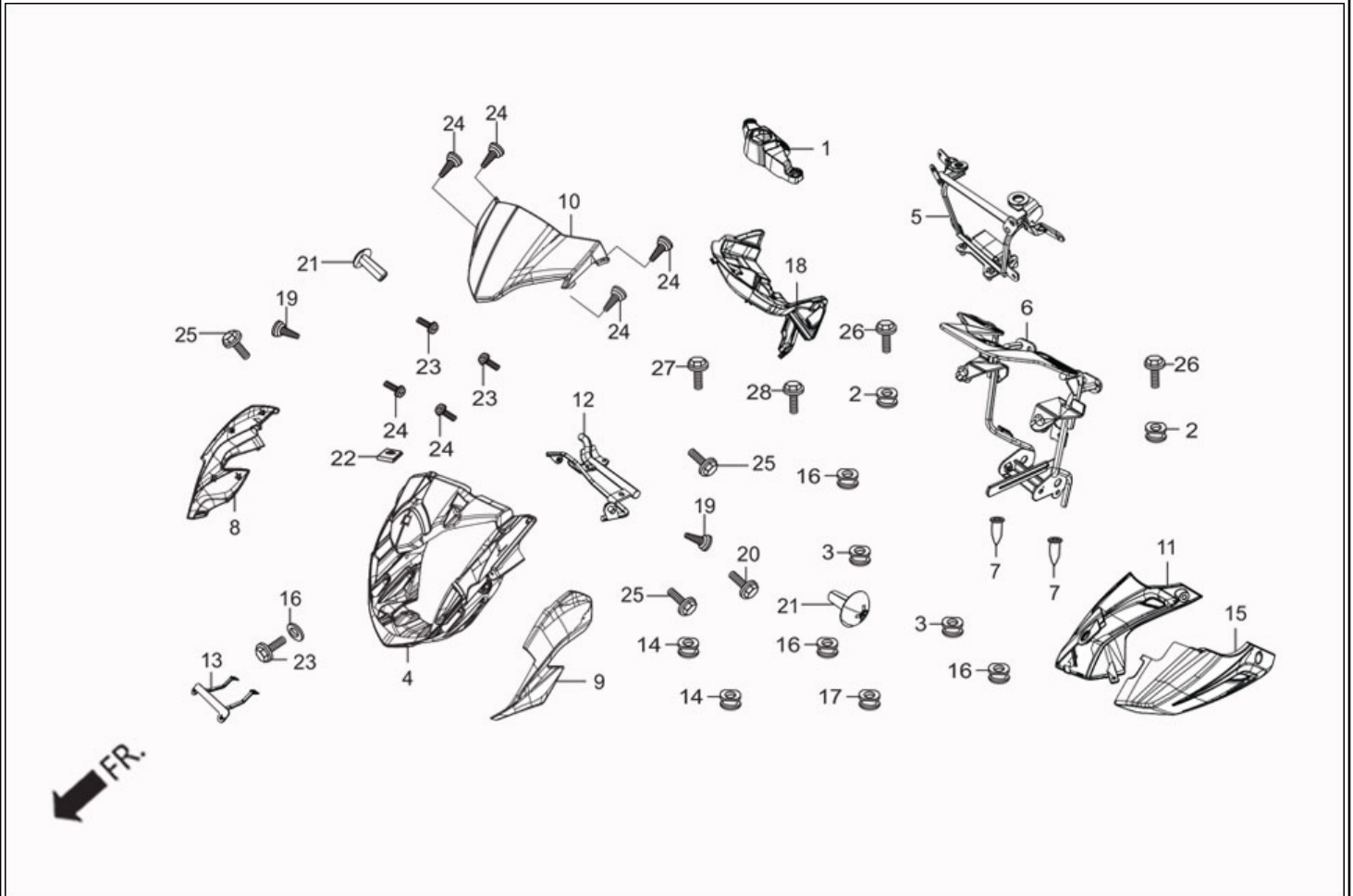


FR.

Group Number: F-1 Model :: Hunk 200R (Aug, 2018)

Ref No.	Part Number	Description	Req.
1	3310B-AAB-A01	LIGHT ASSY HEAD (W/O BULB)	1
2	33108-AAB-101	BULB LOCKING SPRING	1
3	33110-AAB-A01	UNIT HEAD LIGHT	1
4	33112-AAB-000	RUBBER CAP	1
5	33134-AAB-101	BEZEL ASSY.	1
6	33150-AAB-101	SOCKET ASSY HEAD LIGHT	1
7	33170-AAB-A01	FRONT POSITION LAMP ASSY RH	1
8	33180-AAB-A01	FRONT POSITION LAMP ASSY LH	1
9	34901-KSP-910	BULB, HEAD LIGHT	1
10	94050-06000	NUT, FLANGE, 6 MM	4
11	93901-AAB-100	SCREW TAPPING 3.5X13	10
12	93903-34120	SCREW TAPPING 4 X 8	1

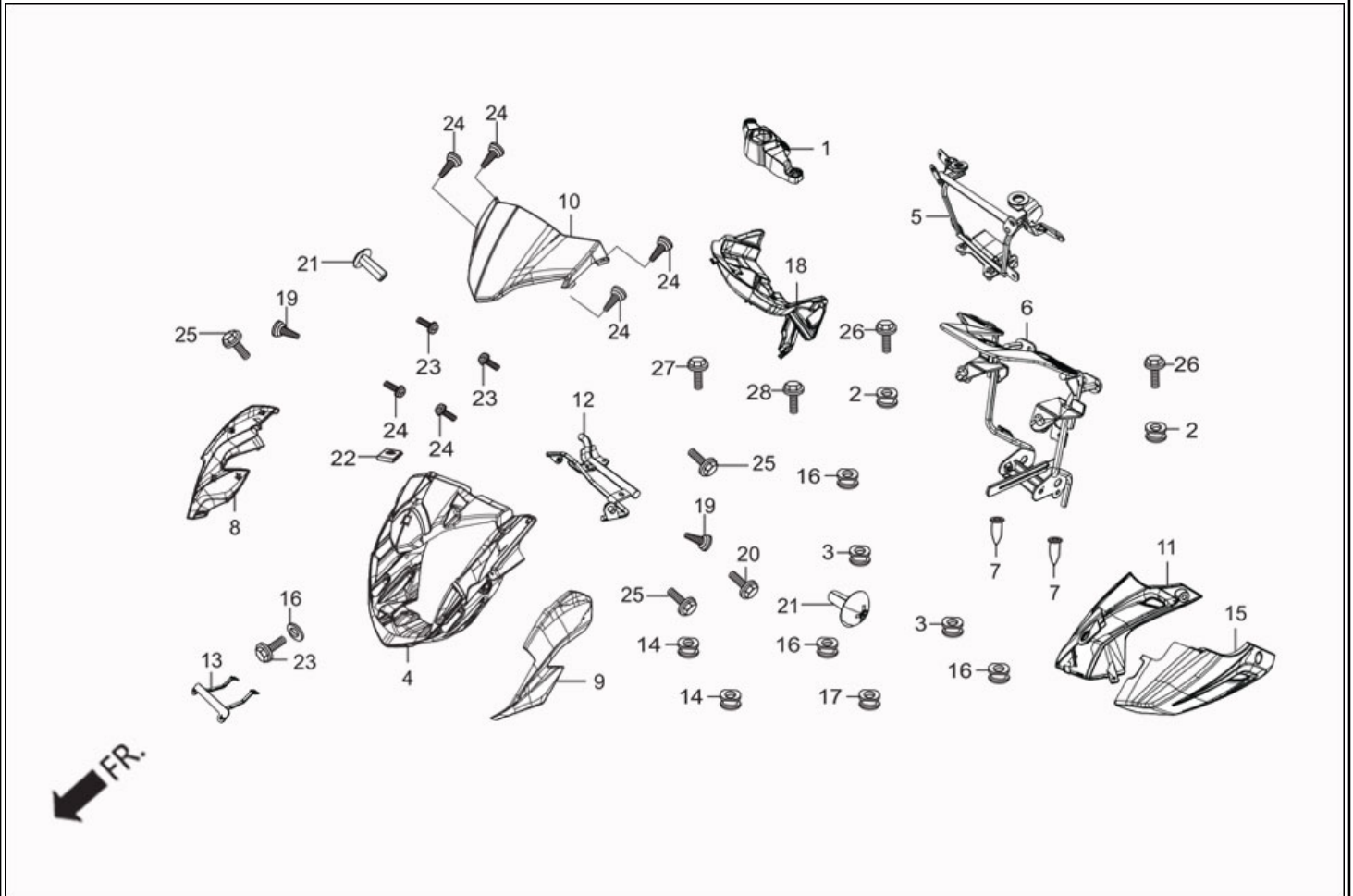
F-1A : FAIRING (FR. VISOR/COWL/STAY)



Group Number: F-1A Model :: Hunk 200R (Aug, 2018)

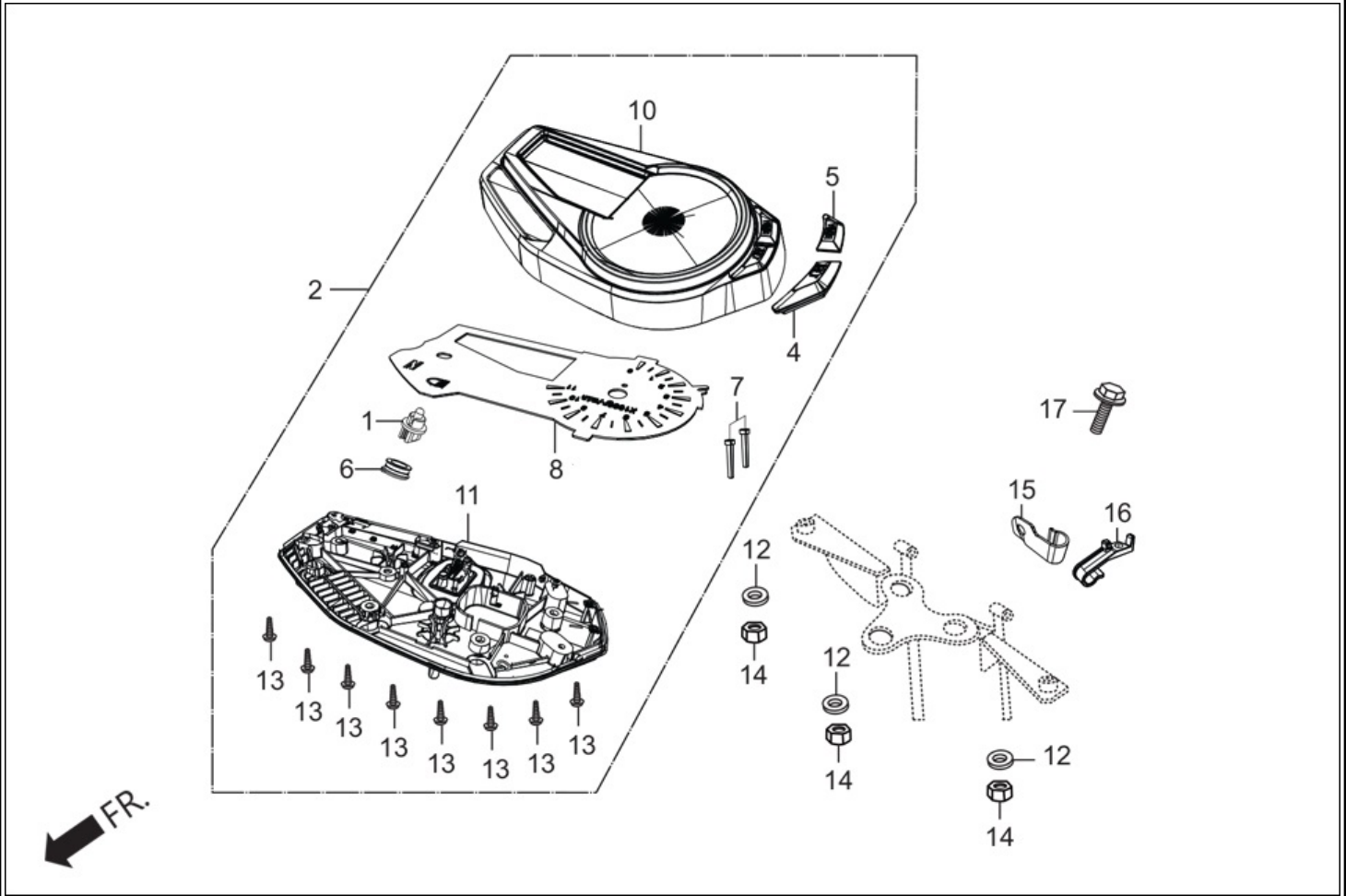
Ref No.	Part Number	Description	Req.
1	53252-AAB-A00	COVER MAIN SWITCH	1
2	61103-AAB-100	RUBBER FR COWL MOUNT	2
3	61105-KTC-900	RUBBER, FRONT FENDER MOUNTING	2
4	61301-AAB-A00	FRONT COWL	1
5	61311-AAB-A00	HEADLIGHT SUPPORT BRACKET UPPER	1
6	61312-AAB-A00	HEADLIGHT SUPPORT BRACKET LOWER	1
7	61312-KCT-690	BOOT, HEAD LIGHT STAY	2
8	61322-AAB-C00R	SIDE COVER R FRONT COWL (MAT AXIS GRAY ME.)	1
	61322-AAB-A00S	SIDE COV R FR COWL (BLK, NH-1)	1
	61322-AAB-A00U	SIDE COV R FR COWL (TBM,BL-002M)	1
	61322-AAB-A00V	SIDE COV R FR COWL (SRD, R-321)	1
9	61323-AAB-C00R	SIDE COVER L FRONT COWL (MAT AXIS GRAY ME.)	1
	61323-AAB-A00S	SIDE COV L FR COWL (BLK, NH-1)	1
	61323-AAB-A00U	SIDE COV L FR COWL (TBM,BL-002M)	1
	61323-AAB-A00V	SIDE COV L FR COWL (SRD, R-321)	1
10	64140-AAB-A00	SCREEN WIND	1
11	64300-AAB-A000	COWL, R UNDER	1
12	64311-AAB-A00	STAY UNDER COWL	1
13	64315-AAB-A00	STAY FR NUMBER PLATE	1
14	64316-KVN-900	RUBBER, FR., COWL MT	2
15	64400-AAB-A000	COWL, L UNDER	1
16	80101-443-000	RUBBER, RR. FENDER CUSHION	3
17	80112-KVN-900	RUBBER, RR FENDER	1
18	83402-AAB-A00	PANEL INNER	1

F-1A : FAIRING (FR. VISOR/COWL/STAY)



19	90101-GE0-000	SCREW, HINGE PATCH	4
20	90105-KVE-860	BOLT,SPECIAL 6X22	3
21	90109-SB6-000	SCREW, TRUSS, 5X14	2
22	90320-GC3-000	NUT, SPRING, M5	6
23	91509-GE2-760	SCREW, WASHER, 5 X 11.5	2
24	93903-24380	SCREW TAPPING, 4 X 12	11
25	95701-06012-00	BOLT, FLANGE, 6X12	2
26	95701-06016-07	BOLT, FLANGE, 6 X 16	2
27	95701-06022-07	BOLT,FLANGE,6 X 22	2
28	95701-08020-00	BOLT, FLANGE, 8X20	3

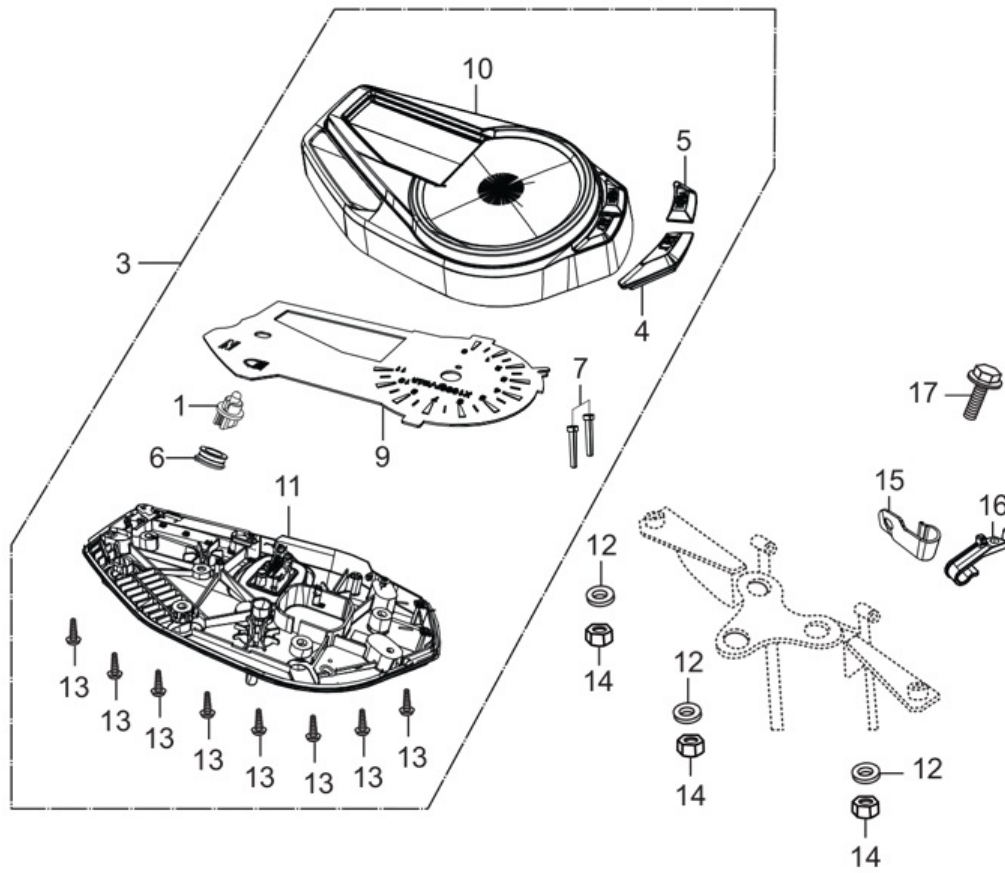
F-2-ABS : SPEEDOMETER / CABLE



Group Number: F-2-ABS Model :: Hunk 200R (Aug, 2018)

Ref No.	Part Number	Description	Req.
1	33506-AAB-A01	BULB SOCKET ASSY	1
2	37100-AAB-A01	METER ASSY COMB	1
4	37103-AAB-A01	SWITCH RUBBER	1
5	37104-AAB-A01	SWITCH RUBBER	1
6	37105-KRJ-901	CAP	1
7	37202-AAB-A01	ROD SW EXTENSION	2
8	37210-AAB-A01	SPEEDOMETER COMP	1
10	37211-AAB-A01	CASE UPPER ASSY	1
11	37212-AAB-A01	LOWER CASE ASSY	1
12	90501-KRY-970	WASHER, PLAIN, 6X18	3
13	93903-22480	SCREW TAPPING 3 X 16	8
14	94001-06000-0S	NUT, HEX., 6 MM	3
15	45164-AAB-A20	CLAMPER SP SENSOR	1
16	45165-AAB-A20	CLAMPER SP SENSOR	1
17	95701-06012-07	BOLT, FLANGE, 6X12	1

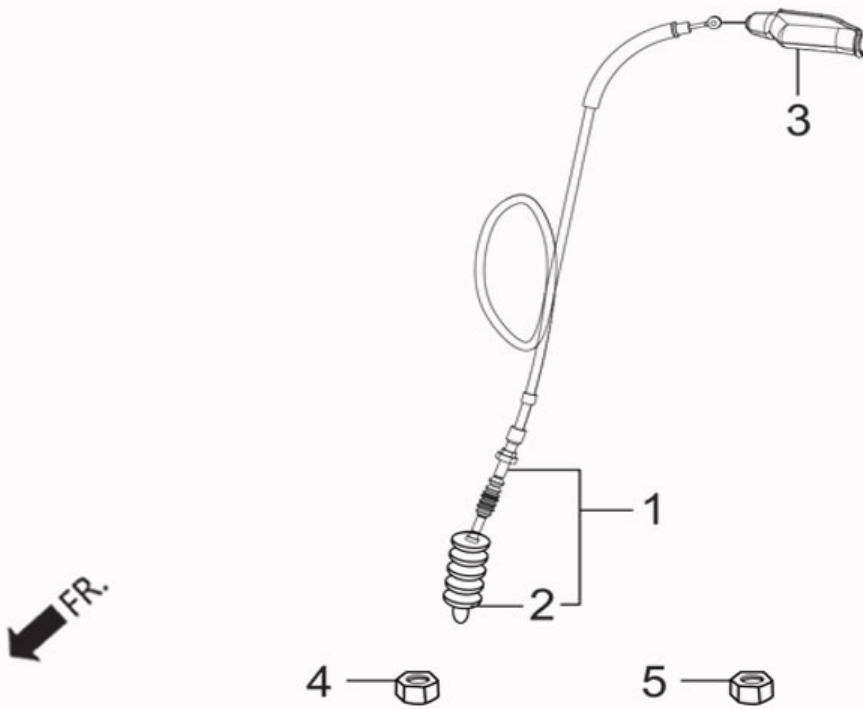
F-2-WO-ABS : SPEEDOMETER / CABLE



Group Number: F-2-WO-ABS Model :: Hunk 200R (Aug, 2018)

Ref No.	Part Number	Description	Req.
1	33506-AAB-A01	BULB SOCKET ASSY	1
3	37100-AAB-A21	METER ASSY COMB	1
4	37103-AAB-A01	SWITCH RUBBER	1
5	37104-AAB-A01	SWITCH RUBBER	1
6	37105-KRJ-901	CAP	1
7	37202-AAB-A01	ROD SW EXTENSION	2
9	37210-AAB-A21	SPEEDOMETER COMP	1
10	37211-AAB-A01	CASE UPPER ASSY	1
11	37212-AAB-A01	LOWER CASE ASSY	1
12	90501-KRY-970	WASHER, PLAIN, 6X18	3
13	93903-22480	SCREW TAPPING 3 X 16	8
14	94001-06000-0S	NUT, HEX., 6 MM	3
15	45164-AAB-A20	CLAMPER SP SENSOR	1
16	45165-AAB-A20	CLAMPER SP SENSOR	1
17	95701-06012-07	BOLT, FLANGE, 6X12	1

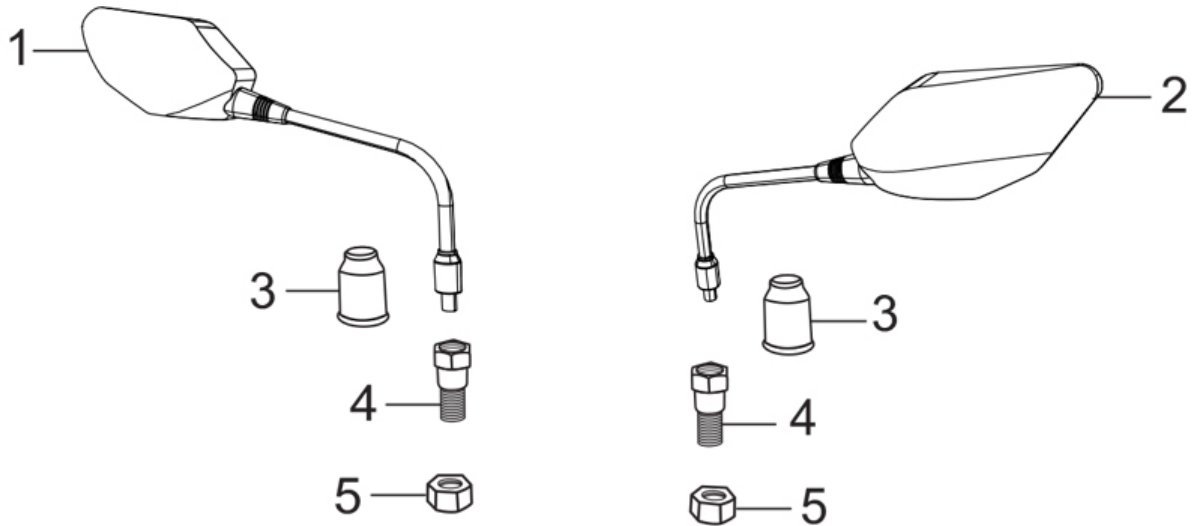
F-3 : HANDLE LEVER / SWITCH/CABLES



Group Number: F-3 **Model ::** Hunk 200R (Aug, 2018)

Ref No.	Part Number	Description	Req.
1	22870-AAB-A00	CABLE COMP CLUTCH	1
2	22871-KTN-700	BOOT, CLUTCH CABLE	1
3	53179-KTC-900	COVER L HANDLE LEVER	1
4	94002-08000-0S	NUT HEX.8 MM	1
5	94030-08000	NUT, HEX., 8 MM	1

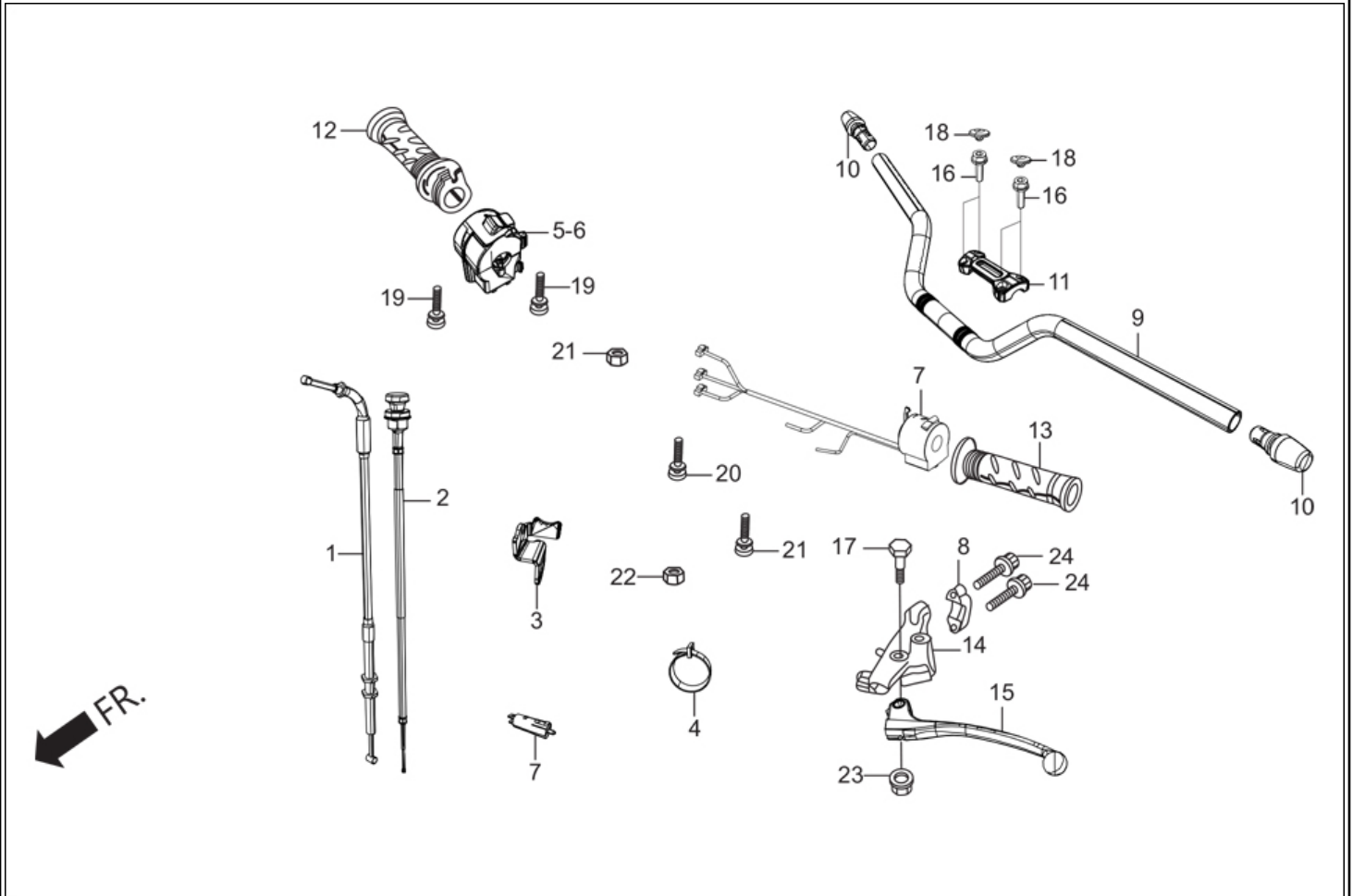
F-3A : MIRROR ASSY.



Group Number: F-3A Model :: Hunk 200R (Aug, 2018)

Ref No.	Part Number	Description	Req.
1	88110-AAB-A000	MIRROR ASSY R BACK	1
2	88120-AAB-A000	MIRROR ASSY L BACK	1
3	88114-198-D10	CAP, LOCK NUT	2
4	90003-MY5-720	BOLT,ADPT.10MM	2
5	90201-MW3-620	NUT, HEX., 10MM	2

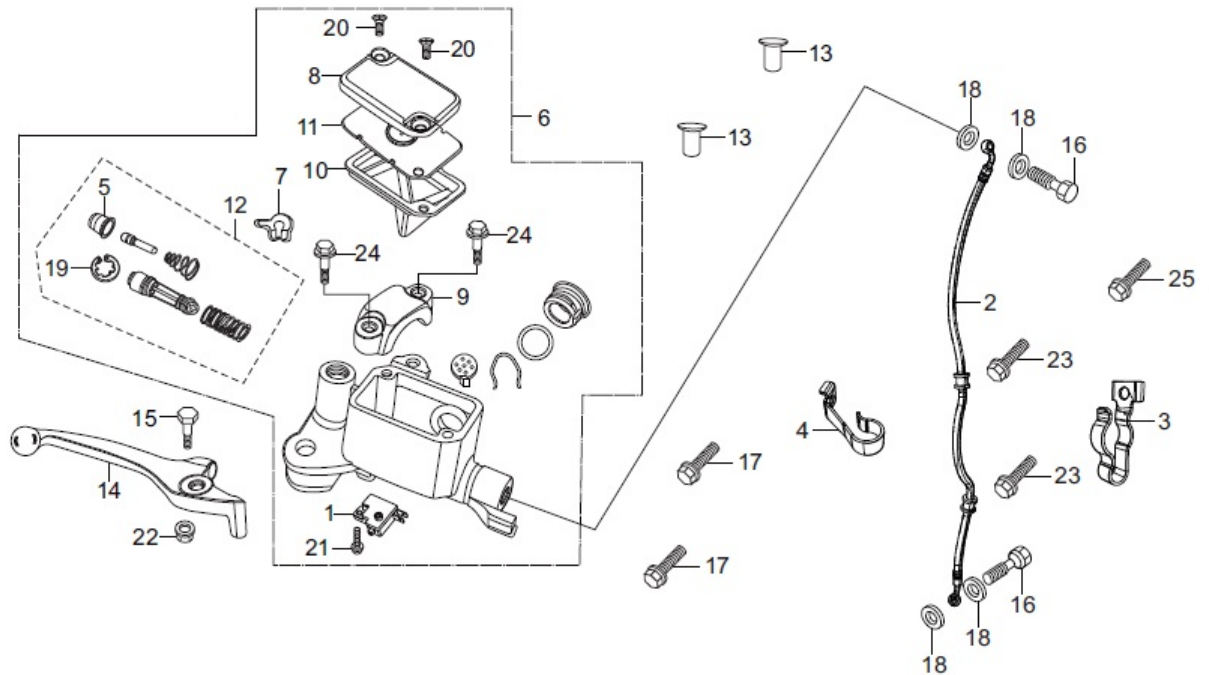
F-3B : HANDLE & HNDL COVER HANDLE LEVER / SWITCH/CABLES)



Group Number: F-3B Model :: Hunk 200R (Aug, 2018)

Ref No.	Part Number	Description	Req.
1	17910-AAB-A00	CABLE COMP THROT	1
2	17950-AAB-A00	CABLE COMP CHOKE	1
3	17951-AAB-A00	STAY CHOKE LEVER	1
4	32161-404-000	BAND B-1,WIRE	2
5	35150-AAB-A01	SW ASSY ENG ST AND START	1
6	35200-AAB-A01	SW ASSY WINKER	1
7	35330-413-003	SW. COMP., FR. LEVER	1
8	45517-166-000	HOLDER, MASTER CYLINDER	1
9	53100-AAB-A00	PIPE STRG HANDLE	1
10	53105-KRC-900	END STRG. HANDLE	2
11	53131-AAB-A00	HOLDER HANDLE UP	1
12	53140-KVE-860	GRIP COMP THROT	1
13	53166-KVE-860	GRIP L HANDLE	1
14	53172-KRC-900	BRACKET, HANDLE LEVER	1
15	53178-KFN-850	LEVER COMP., L HANDLE	1
16	90102-KVN-900	BOLT, SP. FLANGE SOCKET 6 X 22	4
17	90113-438-000	BOLT, HANDLE LEVER PIVOT	1
18	91455-MG8-000	CAP, SOC BOLT 6 MM	4
19	93892-05020-07	SCREW, WASHER, 5X20	2
20	93892-05025-07	SCREW, WASHER, 5X25	1
21	93892-05045-07	SCREW, WASHER, 5X45	1
22	94002-06000-0S	NUT, HEX 6MM	1
23	94050-06000	NUT, FLANGE, 6 MM	1
24	96001-06022-07	BOLT, FLANGE, SH.6X22	2

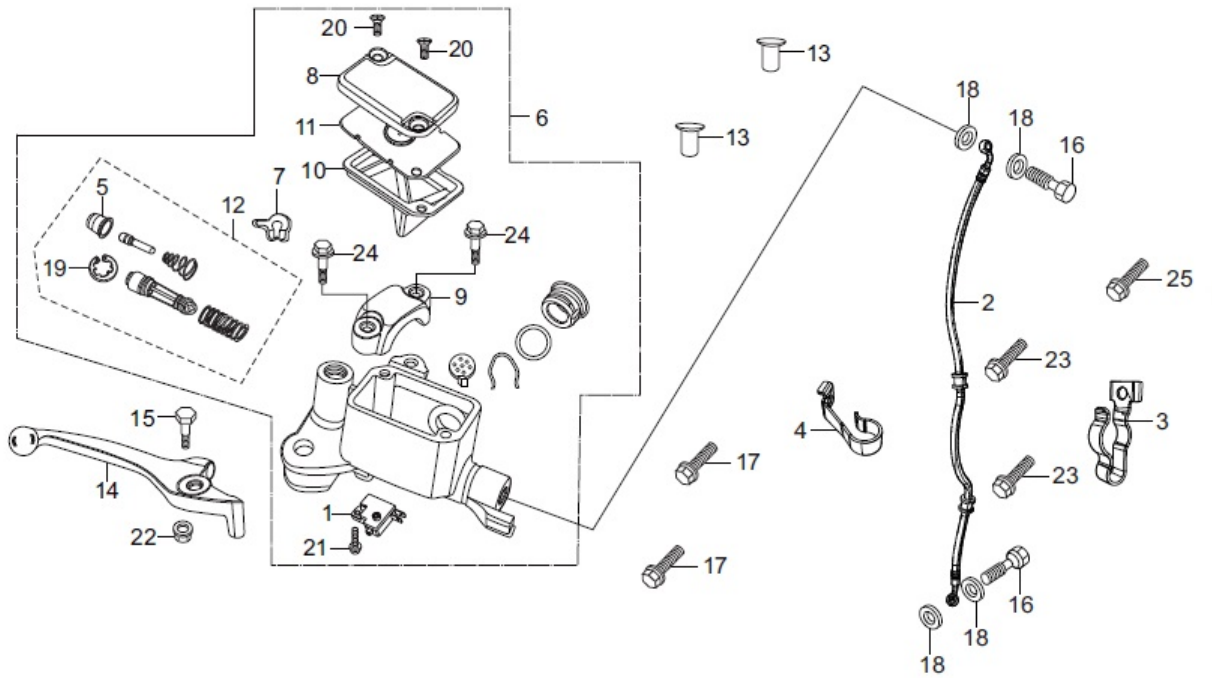
F-4-WO-ABS : FRONT BRAKE (MASTER CYLINDER) (W/O ABS)



Group Number: F-4-WO-ABS Model :: Hunk 200R (Aug, 2018)

Ref No.	Part Number	Description	Req.
1	35340-MA5-670L	SW. ASSY. FR. STOP	1
2	45126-AAB-A20	HOSE COMP FRONT BRAKE	1
3	45155-AAB-A00	CLAMPER A FR BRAKE	1
4	45156-AAB-A20	CLAMPER BRAKE HOSE FR	1
5	45504-410-003L	BOOT COMP.	1
6	45510-KRY-972	M/C SUB ASSY., FRONT BRAKE	1
7	45512-MA6-006	PROTECTOR	1
8	45513-HA2-006L	CAP M/C	1
9	45517-166-000	HOLDER, MASTER CYLINDER	1
10	45520-GE2-006	DIAPHRAGM	1
11	45521-K21-901	PLATE, DIAPHRAGM	1
12	45530-471-831L	CYLINDER SET MASTER	1
13	53174-116-670	PLUG HANDLE LEVER	2
14	53175-KFN-850L	LEVER, RIGHT STRG. HANDLE	1
15	90114-166-000L	BOLT HANDLE LEVER	1
16	90145-MS9-610	OIL BOLT, 10 X 22	2
17	90155-KY4-900	BOLT, FLANGE, 8 X 25	2
18	90545-300-000	WASHER ,OIL BOLT	4
19	90651-MA5-671L	CIRCLIP	1
20	93600-04012-1GL	SCREW FLAT 4X12	2
21	93893-04012-17	SCREW, WASHER, 4X12	1
22	94050-06000	NUT, FLANGE, 6 MM	1
23	95701-06012-07	BOLT, FLANGE, 6X12	2
24	96001-06022-07	BOLT, FLANGE, SH.6X22	2

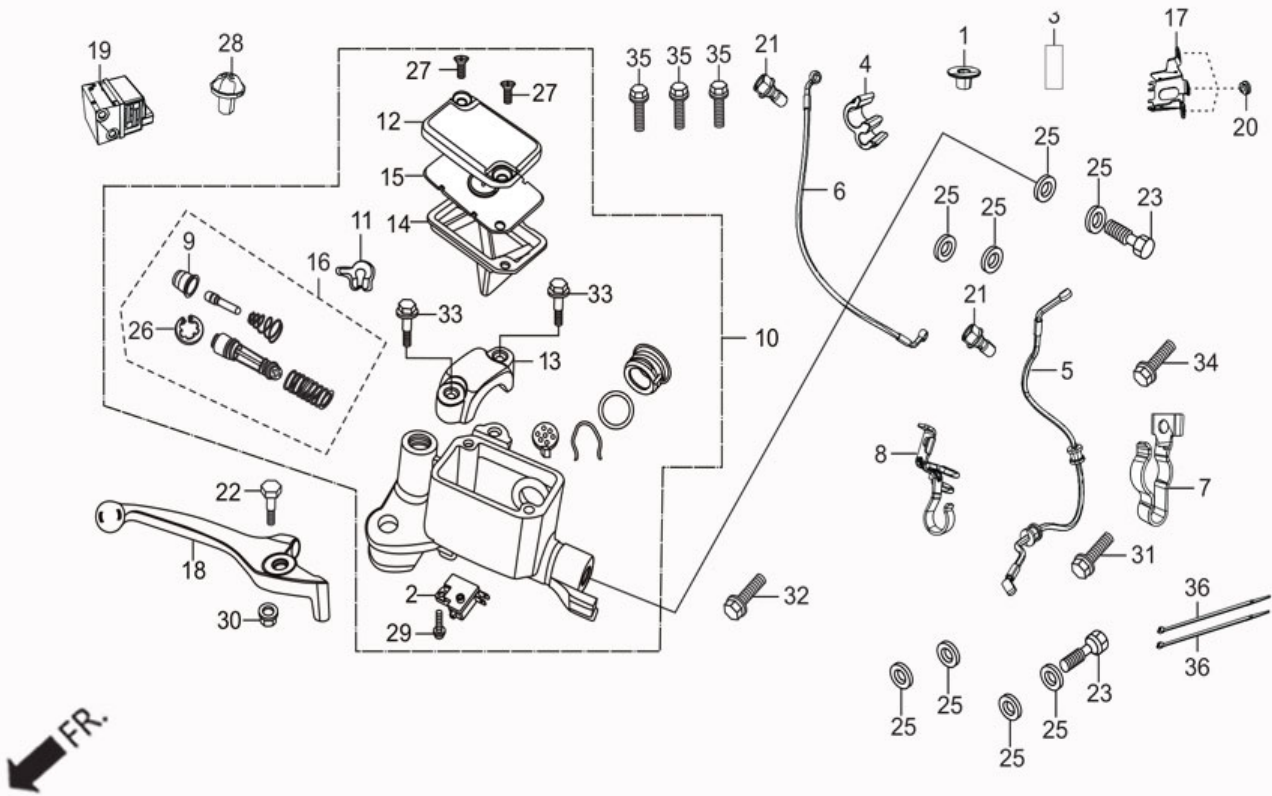
F-4-WO-ABS : FRONT BRAKE (MASTER CYLINDER) (W/O ABS)



FR. ←

25	95701-06020-00	BOLT, FLANGE, 6X20	1
----	----------------	--------------------	---

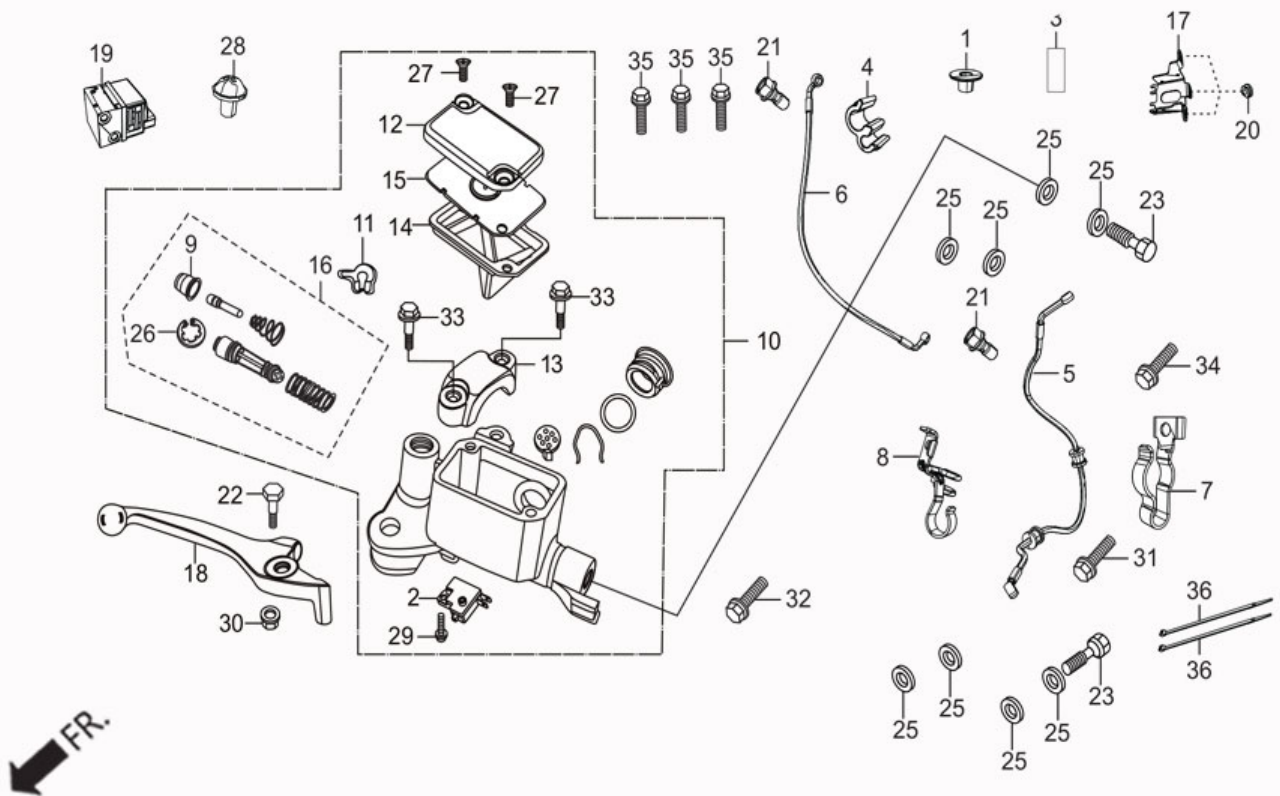
F-4A-ABS : FRONT BRAKE (MASTER CYLINDER) (ABS)



Group Number: F-4A-ABS Model :: Hunk 200R (Aug, 2018)

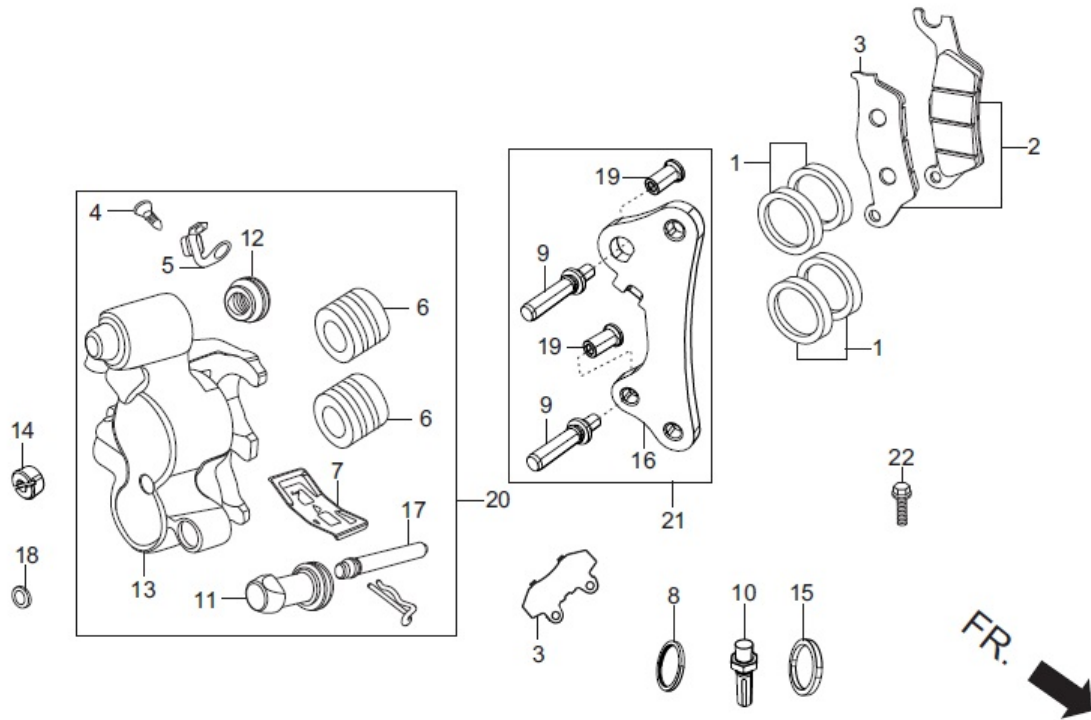
Ref No.	Part Number	Description	Req.
1	19052-AAB-A00	COLLAR ABS UNIT MOUNTING	3
2	35340-MA5-670L	SW. ASSY. FR. STOP	1
3	38520-AAB-A00	SENSOR FRONT WHEEL SPEED	1
4	43301-AAB-A00	CLIP BRAKE LINE	2
5	45126-AAB-A00	BRK HOSE ASSY HECU TO CALIPER FR	1
6	45128-AAB-A00	BRK HOSE ASSY FR M/C TO HECU	1
7	45155-AAB-A00	CLAMPER A FR BRAKE	1
8	45156-AAB-A00	CLAMPER B FR BRAKE HOSE	1
9	45504-410-003L	BOOT COMP.	1
10	45510-KRY-972	M/C SUB ASSY., FRONT BRAKE	1
11	45512-MA6-006	PROTECTOR	1
12	45513-HA2-006L	CAP M/C	1
13	45517-166-000	HOLDER, MASTER CYLINDER	1
14	45520-GE2-006	DIAPHRAGM	1
15	45521-K21-901	PLATE, DIAPHRAGM	1
16	45530-471-831L	CYLINDER SET MASTER	1
17	50207-AAB-A00	MT UPPER BRKT ABS CONTROL UNIT	1
18	53175-KFN-850L	LEVER, RIGHT STRG. HANDLE	1
19	57111-AAB-A00	HECU MINI MAB	1
20	83545-AAB-A00	RUBBER ABS UNIT MOUNTING	3
21	90042-AAB-A00	BANJO BOLT M10X1	2
22	90114-166-000L	BOLT HANDLE LEVER	1
23	90145-MS9-610	OIL BOLT, 10 X 22	2
24	90155-KY4-900	BOLT, FLANGE, 8 X 25	2

F-4A-ABS : FRONT BRAKE (MASTER CYLINDER) (ABS)



25	90545-300-000	WASHER ,OIL BOLT	8
26	90651-MA5-671L	CIRCLIP	1
27	93600-04012-1GL	SCREW FLAT 4X12	2
28	93891-05008-00	SCREW WASH 5X8	4
29	93893-04012-17	SCREW, WASHER, 4X12	1
30	94050-06000	NUT, FLANGE, 6 MM	1
31	95701-06012-07	BOLT, FLANGE, 6X12	2
32	95701-06020-07	BOLT, FLANGE, 6 X 20	4
33	96001-06022-07	BOLT, FLANGE, SH.6X22	2
34	95701-06020-00	BOLT, FLANGE, 6X20	1
35	95701-06018-00	BOLT FLANGE 6X18	3
36	90652-AAW-300	CABLE TIE	2

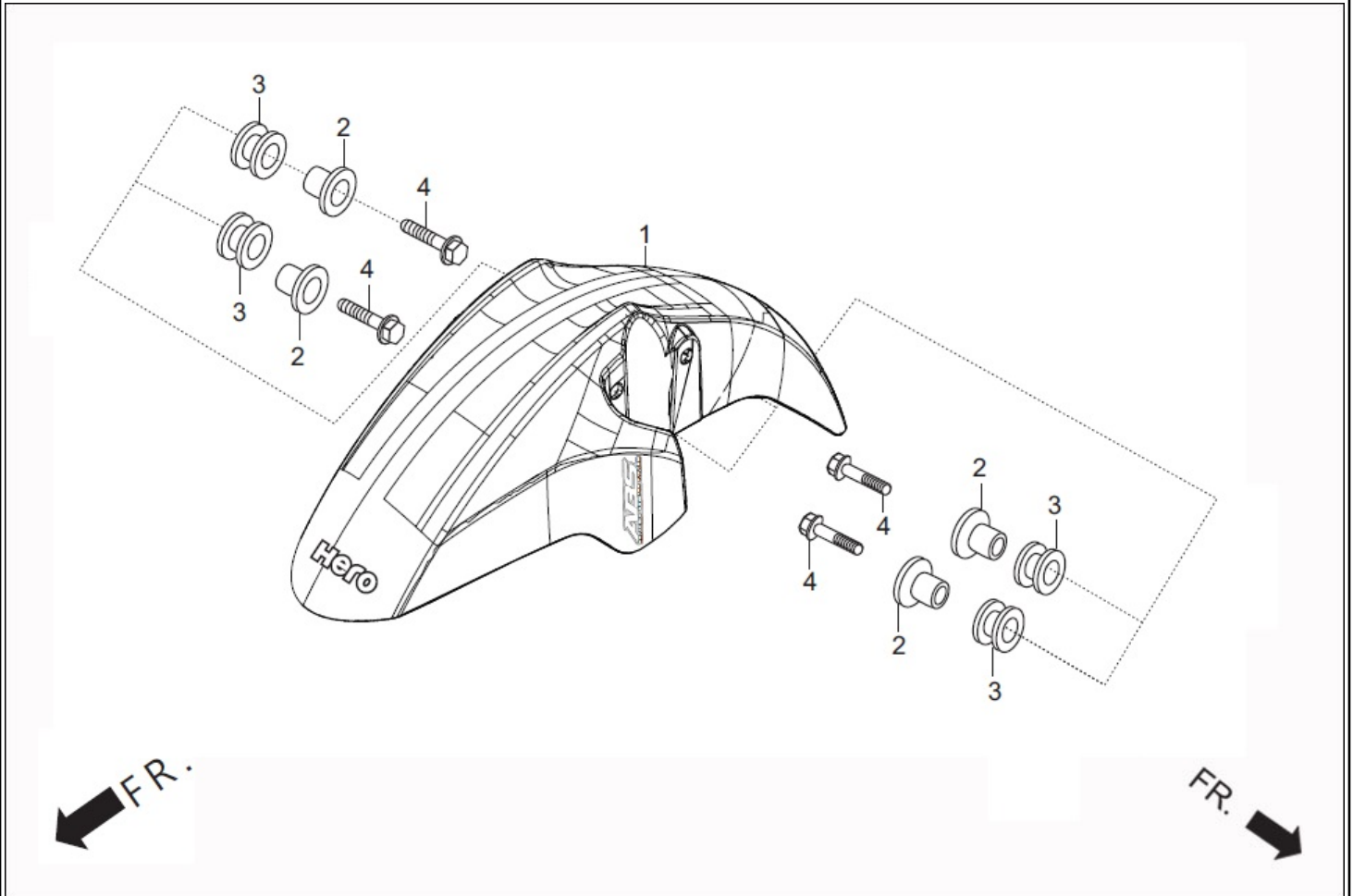
F-4B : FRONT BRAKE (CALIPER ASSY 'R' FR.)



Group Number: F-4B Model :: Hunk 200R (Aug, 2018)

Ref No.	Part Number	Description	Req.
1	06451-GE2-405L	SEAL SET PISTON	2
2	06455-GCR-016L	PAD SET FRONT	1
3	43114-KW6-842L	SHIM B	1
4	43352-568-003L	SCREW BLEEDER	1
5	43353-461-771L	CAP BLEEDER	1
6	45107-MN5-006L	PISTON	2
7	45108-ML4-006L	PAD SPRING	1
8	45109-GE2-006L	DUST SEAL	2
9	45131-GE2-006L	PIN BOLT A	2
10	45131-GZ0-006L	PIN BOLT	1
11	45132-166-016L	BUSH BOOT PIN	1
12	45133-MA3-006L	BOOT B	1
13	45201-GT4-691L	BODY CALIPER FR.	1
14	45203-MG3-016L	PLUG PIN	2
15	45209-GE2-006L	SEAL PISTON	2
16	45210-KR3-871L	BRACKET RIGHT	2
17	45215-KA3-732L	PIN HANGER	2
18	45216-166-006L	WASHER WAVE	1
19	45216-KW6-901L	TORQUE NUT	2
20	45250-KRY-901	CALIPER SUB ASSY., R FR	1
21	45290-KGB-611L	BRKT.SUB ASSY.R FR.CALIPER	1
22	95701-06020-00	BOLT, FLANGE, 6X20	1

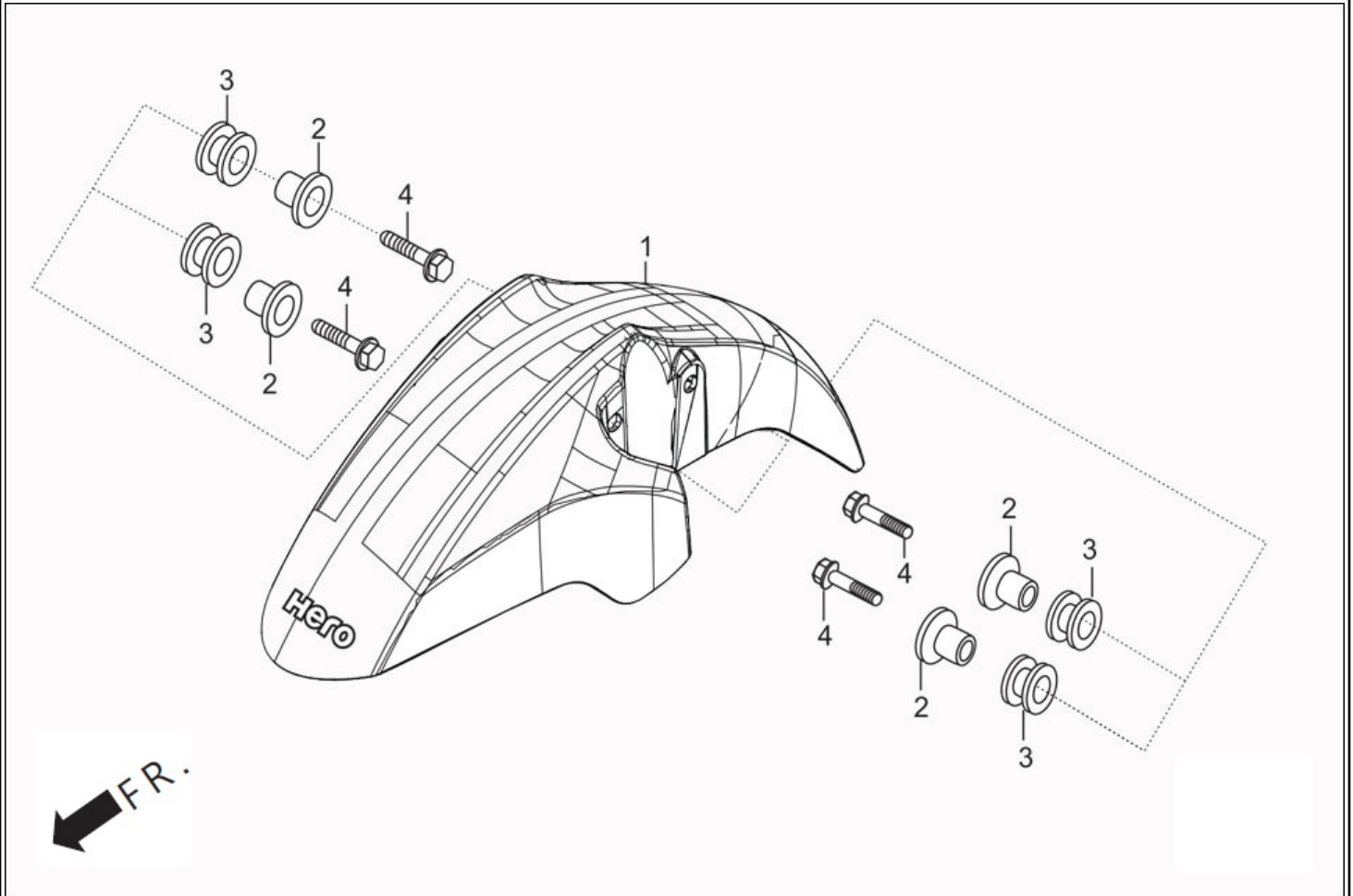
F-5 : FRONT FENDER (ABS)



Group Number: F-5 Model :: Hunk 200R (Aug, 2018)

Ref No.	Part Number	Description	Req.
1	61000-ABF-100T	SET, FENDER FRONT (MAT AXIS GRAY ME.)	1
	61000-ABF-100S	SET, FENDER FRONT (BLACK NH-1)	1
	61000-AAB-A00U	SET FENDER FRONT (TBM,BL-002M)	1
	61000-AAB-A00V	SET FENDER FRONT (SRD, R-321)	1
2	61103-KRY-900	COLLAR, A FR.FENDER	4
3	61105-KTC-900	RUBBER, FRONT FENDER MOUNTING	4
4	95701-06022-00	BOLT, FLANGE, SH. 6 X 22	4

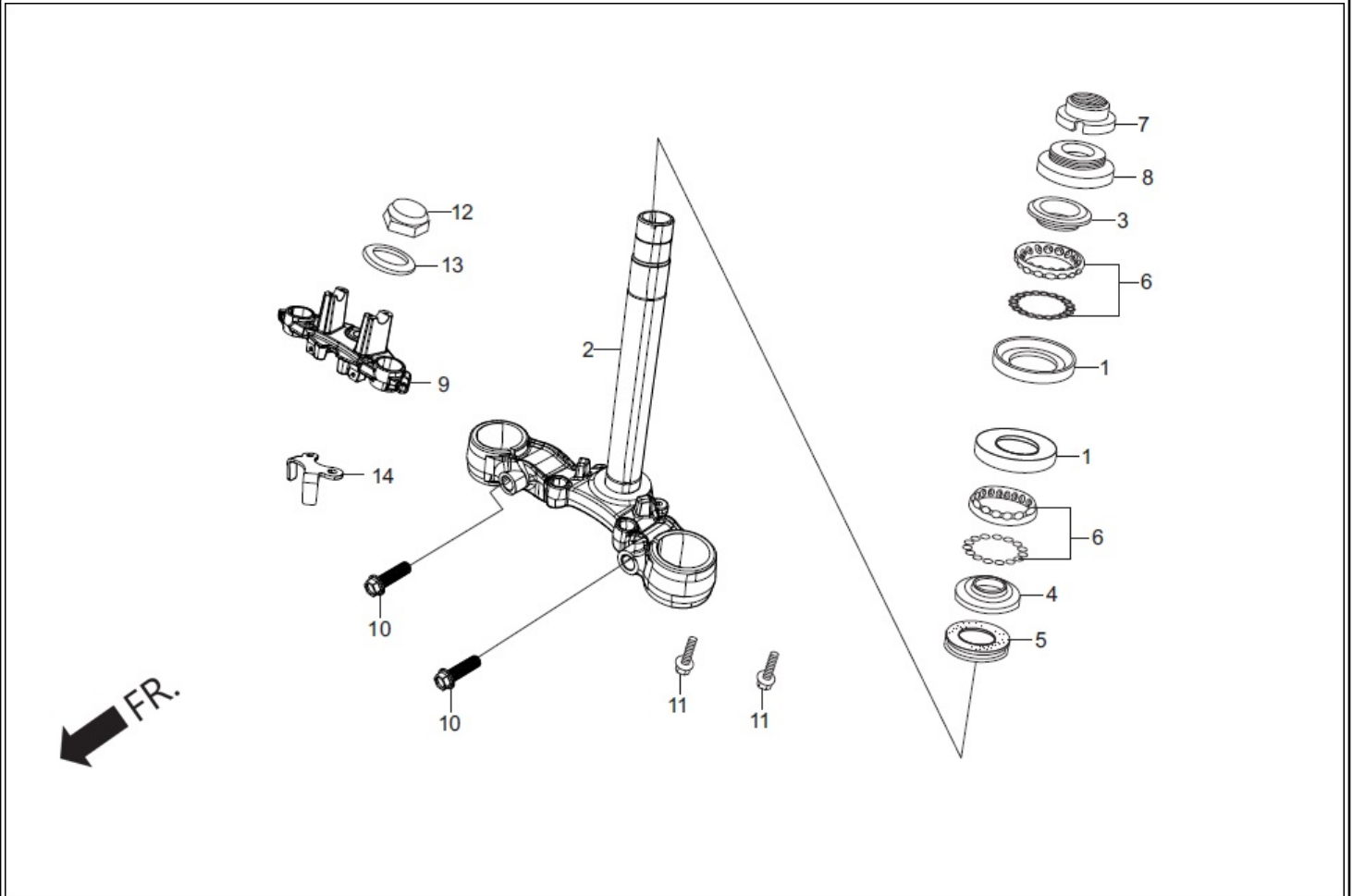
F-5A : FRONT FENDER (W/O ABS)



Group Number: F-5A Model :: Hunk 200R (Aug, 2018)

Ref No.	Part Number	Description	Req.
1	61000-ABF-120S	SET, FENDER FRONT (BLACK NH-1)	1
	61000-ABF-120T	SET, FENDER FRONT (MAT AXIS GRAY ME.)	1
	61000-AAB-A10U	SET FENDER FRONT (TBM,BL-002M)	1
	61000-AAB-A10V	SET FENDER FRONT (SRD, R-321)	1
2	61103-KRY-900	COLLAR, A FR.FENDER	4
3	61105-KTC-900	RUBBER, FRONT FENDER MOUNTING	4
4	95701-06022-00	BOLT, FLANGE, SH. 6 X 22	4

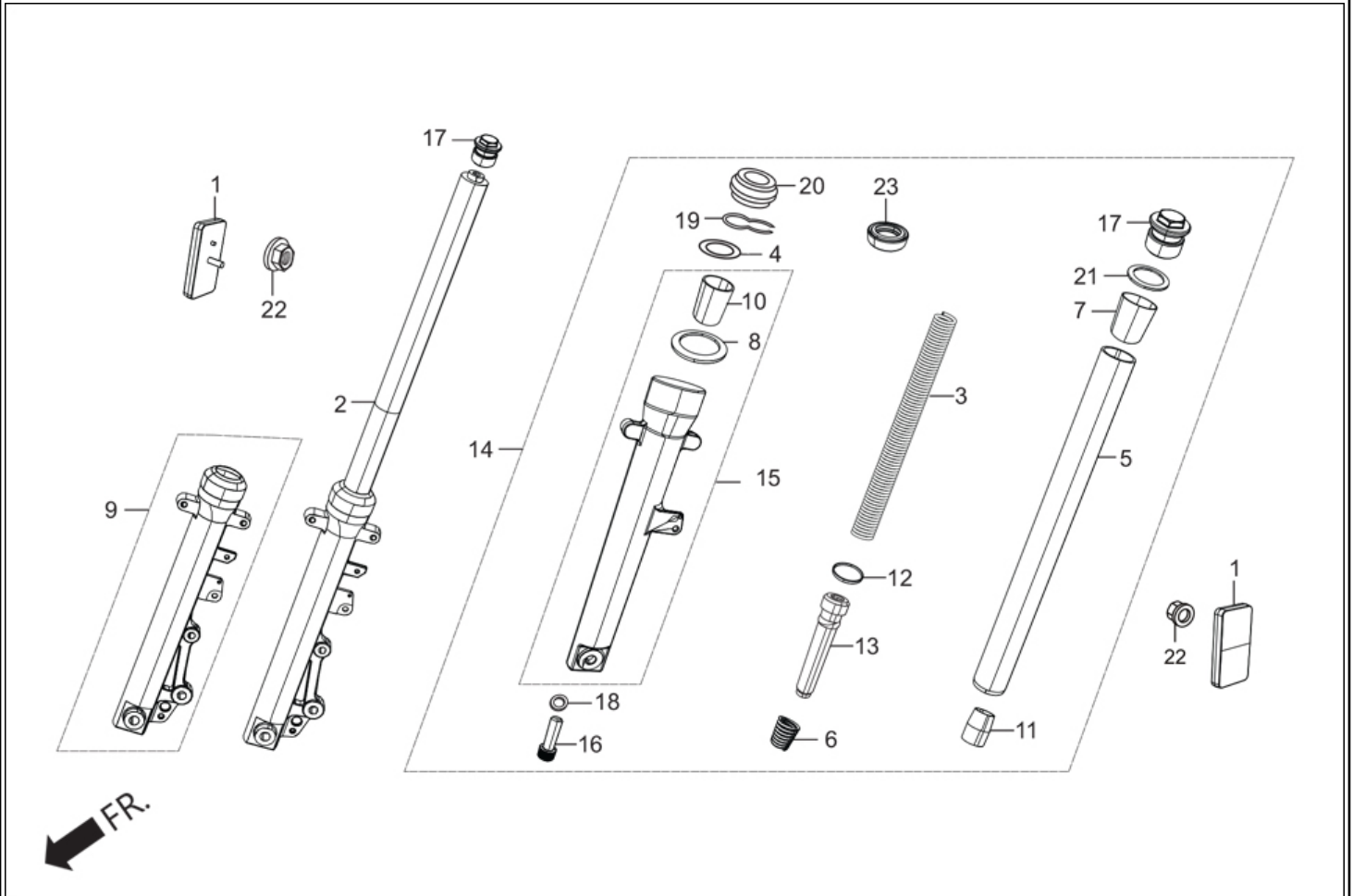
F-6 : FRONT CUSHION (STEERING STEM)



Group Number: F-6 Model :: Hunk 200R (Aug, 2018)

Ref No.	Part Number	Description	Req.
1	50301-KTR-900	RACE, STEERING BALL	2
2	53200-AAB-A00	STEM COMP STEERING	1
3	53211-268-010	RACE, STEERING TOP CONE	1
4	53212-200-000	RACE, STEERING BOTTOM CONE	1
5	53214-200-000	DUST SEAL, STEERING HEAD	1
6	53215-KTR-900	BALL, ASSY. STEERING	2
7	53220-KRY-970	THREAD COMP STRG TOP.	1
8	53222-KTR-900	MUD GUARD, STEERING HEAD TOP	1
9	53230-AAB-A00	BRIDGE FORK TOP	1
10	90001-AAB-A00	BOLT FLANGE 10X35	2
11	90002-AAB-A00	BOLT FLANGE 10X40	2
12	90304-KSP-900	NUT, STEERING STEM	1
13	90503-KTR-900	WASHER, STEERING STEM	1
14	35106-KTC-900	COVER, COMB. SWITCH	1

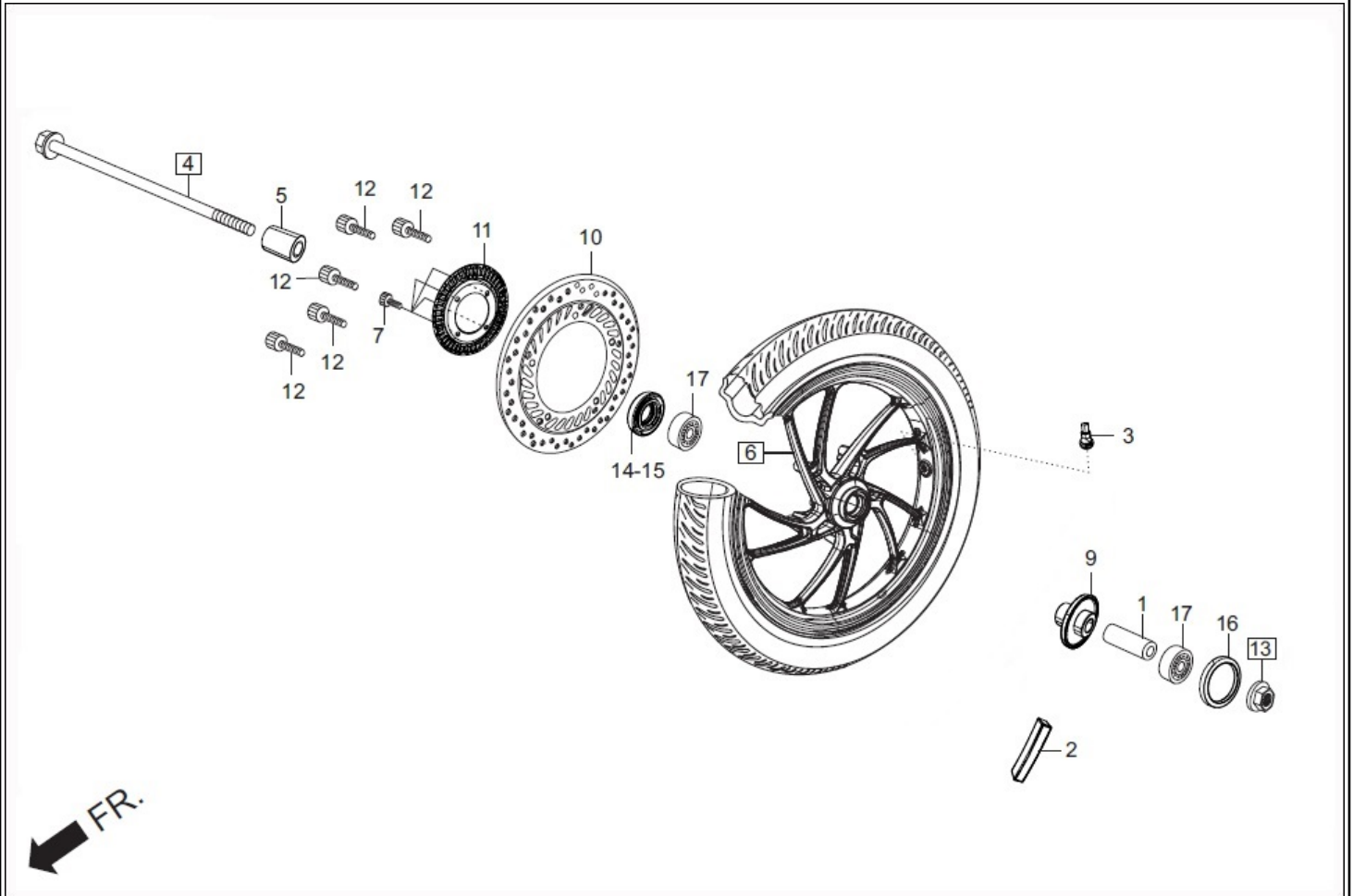
F-6A : FRONT CUSHION



Group Number: F-6A Model :: Hunk 200R (Aug, 2018)

Ref No.	Part Number	Description	Req.
1	33740-AAB-000	REFLEX REFLECTOR FRONT	2
2	51400-AAB-A02	FORK ASSY R FRONT	1
3	51401-AAB-A02	SPRING FR FORK	2
4	51403-AAB-A02	JOINT SPRING (PLAIN WASHER)	2
5	51410-AAB-A02	PIPE COMP FR FORK	2
6	51412-AAB-A02	SPRING REBOUND	2
7	51413-AAB-A02	SPACER TUBE COLLAR SPRING	2
8	51419-AAB-A02	RING BACKUP (PLAIN WASHER)	2
9	51420-AAB-A02	CASE COMP R FR BOTTOM	1
10	51423-AAB-A02	SLIDE BUSH	2
11	51432-AAB-A02	PIECE OIL LOCK	2
12	51437-AAB-A02	RING PISTON	2
13	51440-AAB-A02	PIPE SEAT	2
14	51500-AAB-A02	FORK ASSY L FRONT	1
15	51520-AAB-A02	CASE COMPL L FR BOTTOM	1
16	90116-AAB-A02	BOLT SOCKET	2
17	90123-AAB-A02	BOLT FR FORK	2
18	90544-AAB-A02	WASHER SPECIAL	2
19	90601-AAB-A02	RING OIL SEAL STOP	2
20	91254-AAB-A02	SEAL DUST	2
21	91356-AAB-A02	O RING	2
22	94050-06000	NUT, FLANGE, 6 MM	2
23	91255-AAB-A02	SEAL OIL	2

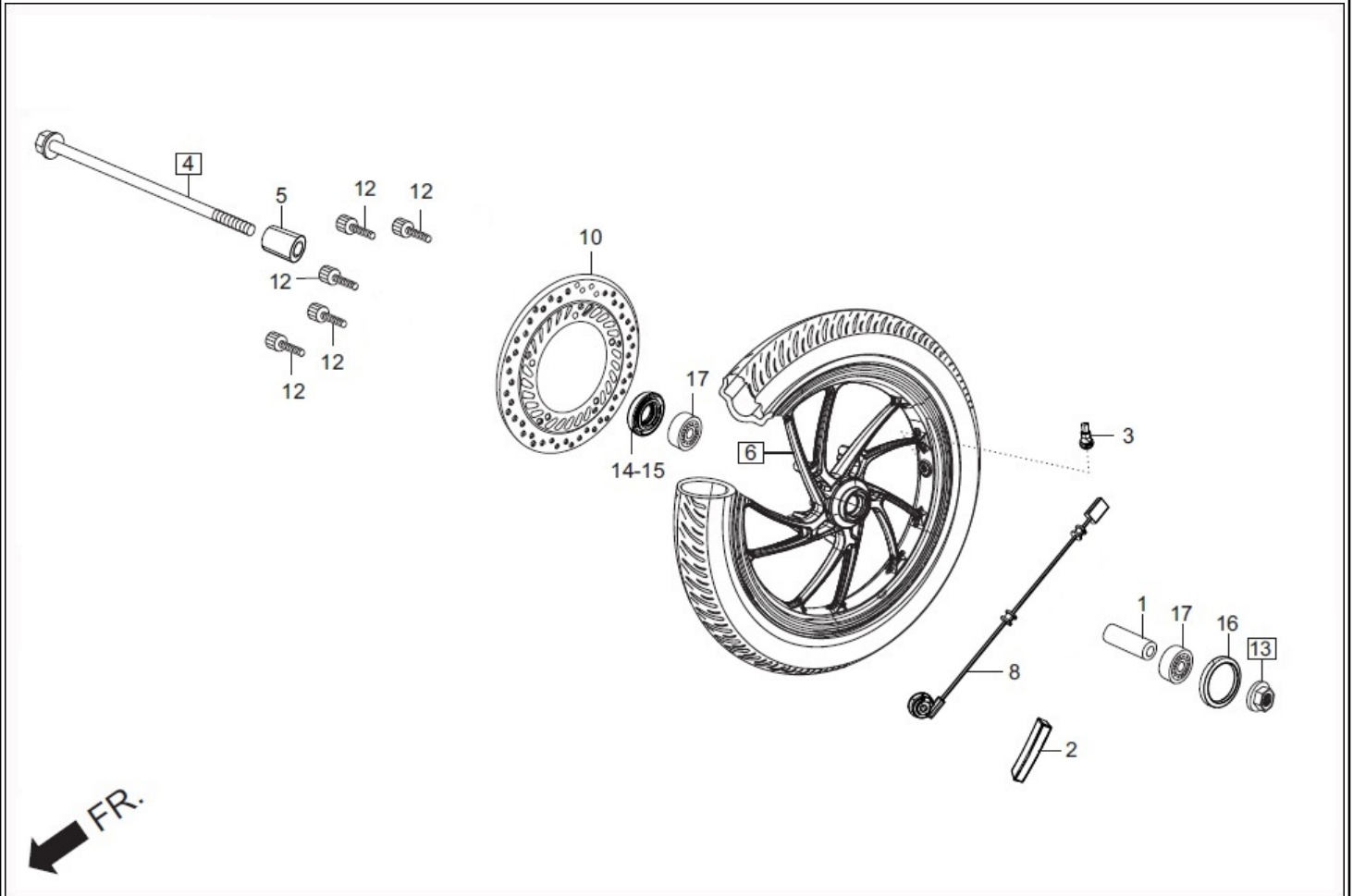
F-7-ABS : FRONT WHEEL



Group Number: F-7-ABS Model :: Hunk 200R (Aug, 2018)

Ref No.	Part Number	Description	Req.
1	42620-KTR-700	COLLAR, REAR AXLE DISTANCE	1
2	42703-AAB-A00	WEIGHT BALANCE 5	1
	42704-AAB-A00	WEIGHT BALANCE 10	1
	42705-AAB-A00	WEIGHT BALANCE 20	1
	42707-AAB-A00	WEIGHT BALANCE 15	1
3	42753-KWF-90099	RIM VALVE	1
4	44301-AAB-A00	AXLE FR WHEEL	1
5	44311-KPL-900	COLLAR, FR. WHEEL SIDE	1
6	44601-AAB-A00	WHEEL COMP FRONT	1
7	96600-05012-18	BOLT SOCKET 5X12	4
9	44802-AAB-A00	SLEEVE FR WHEEL (LH)	1
10	45251-KRY-971	DISK, FR BRAKE	1
11	45252-AAB-A00	SENSOR RING FR DISC	1
12	90105-KL8-741	BOLT, FR.DISK, 8 X 24	5
13	90306-KST-942	NUT, CASTLE, 12 MM	1
	90306-KTE-911	NUT, CASTLE, 12 MM	1
14	90755-229-000	OIL SEAL, 21 X 37 X 7	1
15	91251-KPH-901	DUST SEAL, 21 X 37 X 7	1
16	91258-KWC-901	DUST SEAL, 40X50X5	1
17	96140-63010-10	BEARING, RADIAL BALL, 6301U	2

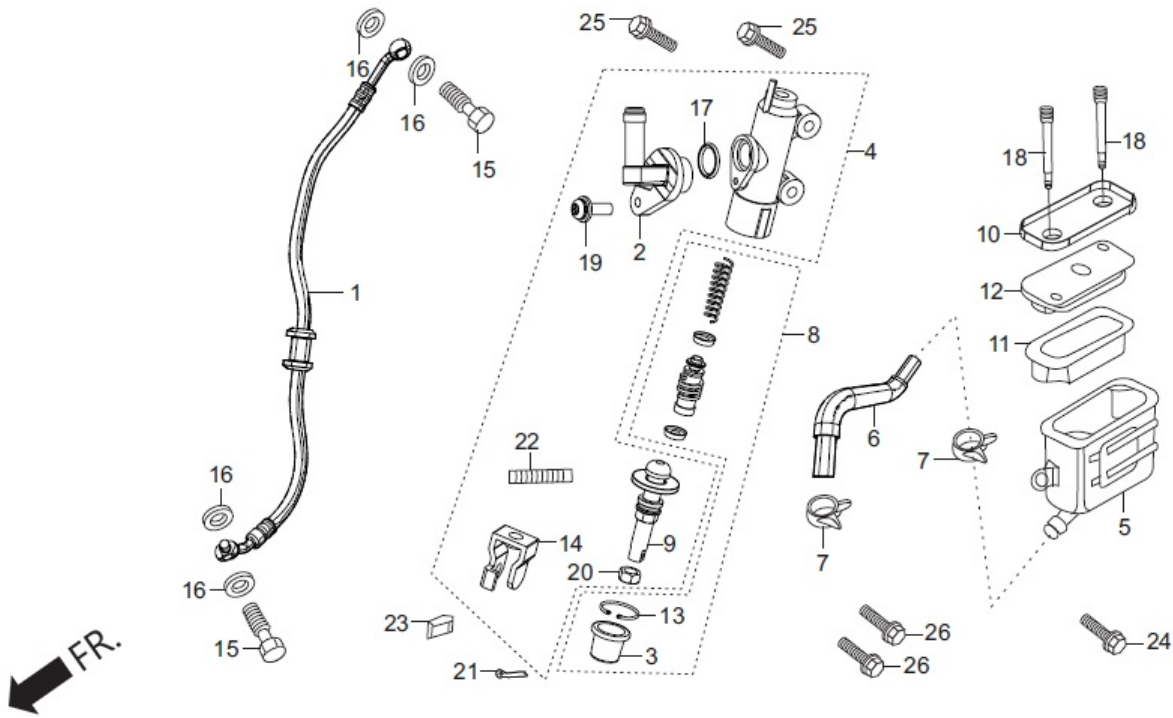
F-7-WO-ABS : FRONT WHEEL



Group Number: F-7-WO-ABS Model :: Hunk 200R (Aug, 2018)

Ref No.	Part Number	Description	Req.
1	42620-KTR-700	COLLAR, REAR AXLE DISTANCE	1
2	42703-AAB-A00	WEIGHT BALANCE 5	1
	42704-AAB-A00	WEIGHT BALANCE 10	1
	42705-AAB-A00	WEIGHT BALANCE 20	1
	42707-AAB-A00	WEIGHT BALANCE 15	1
3	42753-KWF-90099	RIM VALVE	1
4	44301-AAB-A00	AXLE FR WHEEL	1
5	44311-KPL-900	COLLAR, FR. WHEEL SIDE	1
6	44601-AAB-A20	WHEEL COMP FRONT	1
8	44800-AAB-A21	SENSOR ASSY SPEED	1
10	45251-KRY-971	DISK, FR BRAKE	1
12	90105-KL8-741	BOLT, FR.DISK, 8 X 24	5
13	90306-KST-942	NUT, CASTLE, 12 MM	1
	90306-KTE-911	NUT, CASTLE, 12 MM	1
14	90755-229-000	OIL SEAL, 21 X 37 X 7	1
15	91251-KPH-901	DUST SEAL, 21 X 37 X 7	1
16	91258-KWC-901	DUST SEAL, 40X50X5	1
17	96140-63010-10	BEARING, RADIAL BALL, 6301U	2

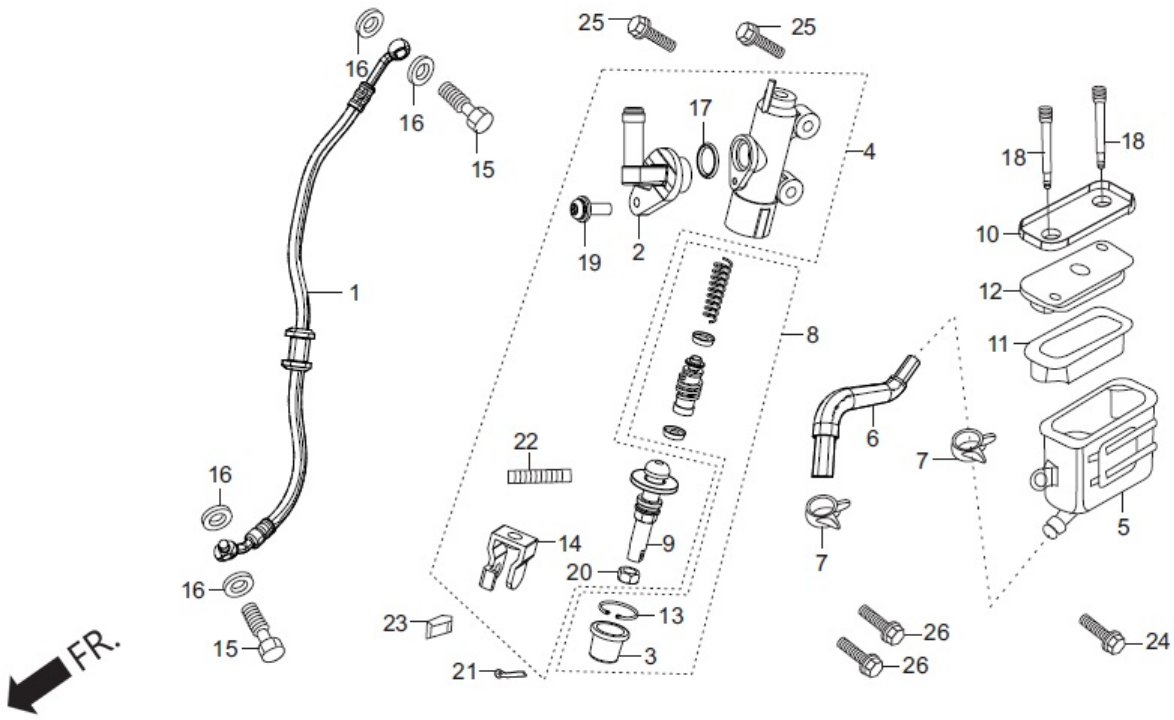
F-8 : REAR BRAKE (MASTER CYL.)



Group Number: F-8 Model :: Hunk 200R (Aug, 2018)

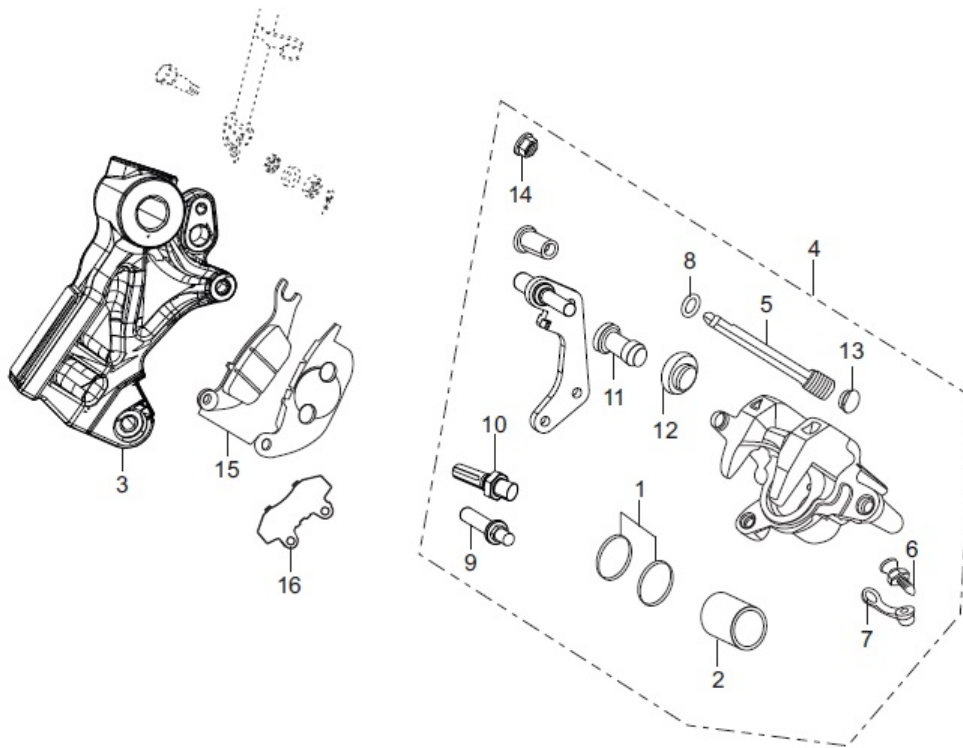
Ref No.	Part Number	Description	Req.
1	43310-AAB-A00	HOSE COMP RR BRAKE	1
2	43503-MEE-006	CONNECTOR	1
3	43504-MB2-006	BOOT COMP.	1
4	43510-KRY-971	M/C SUB ASSY REAR	1
5	43511-KW7-881	OIL CUP COMP.	1
6	43512-AAB-A00	HOSE COMP RR M/C	1
7	43514-KS6-701	CLAMP. M/C OIL HOSE	2
8	43520-MJ6-315	PISTON SET M/C	1
9	43530-MV9-006	PUSH ROD COMP.	1
10	45513-GW0-911	CAP M/C	1
11	45520-GW0-911	DIAPHRAGM	1
12	45521-GW0-911	PLATE DIAPHRAGM	1
13	46182-MEL-D21	CIRCLIP	1
14	46504-KV6-702	JOINT BRK ROD	1
15	90145-MS9-610	OIL BOLT, 10 X 22	2
16	90545-300-000	WASHER ,OIL BOLT	4
17	91212-422-006	O RING	1
18	93600-04045-1G	SCREW FLAT 4X45	2
19	93893-04012-17	SCREW, WASHER, 4X12	1
20	94002-08000-0S	NUT HEX.8 MM	1
21	94201-20150	PIN, SPLIT, 2.0 X 15	1
22	94305-20102	PIN SPRING 2X10	1
23	95015-54000	PIN D JOINT	1
24	95701-06020-07	BOLT, FLANGE, 6 X 20	1

F-8 : REAR BRAKE (MASTER CYL.)



25	95701-06022-08	BOLT FLANGE, 6 X 22	2
26	95701-06020-00	BOLT, FLANGE, 6X20	2

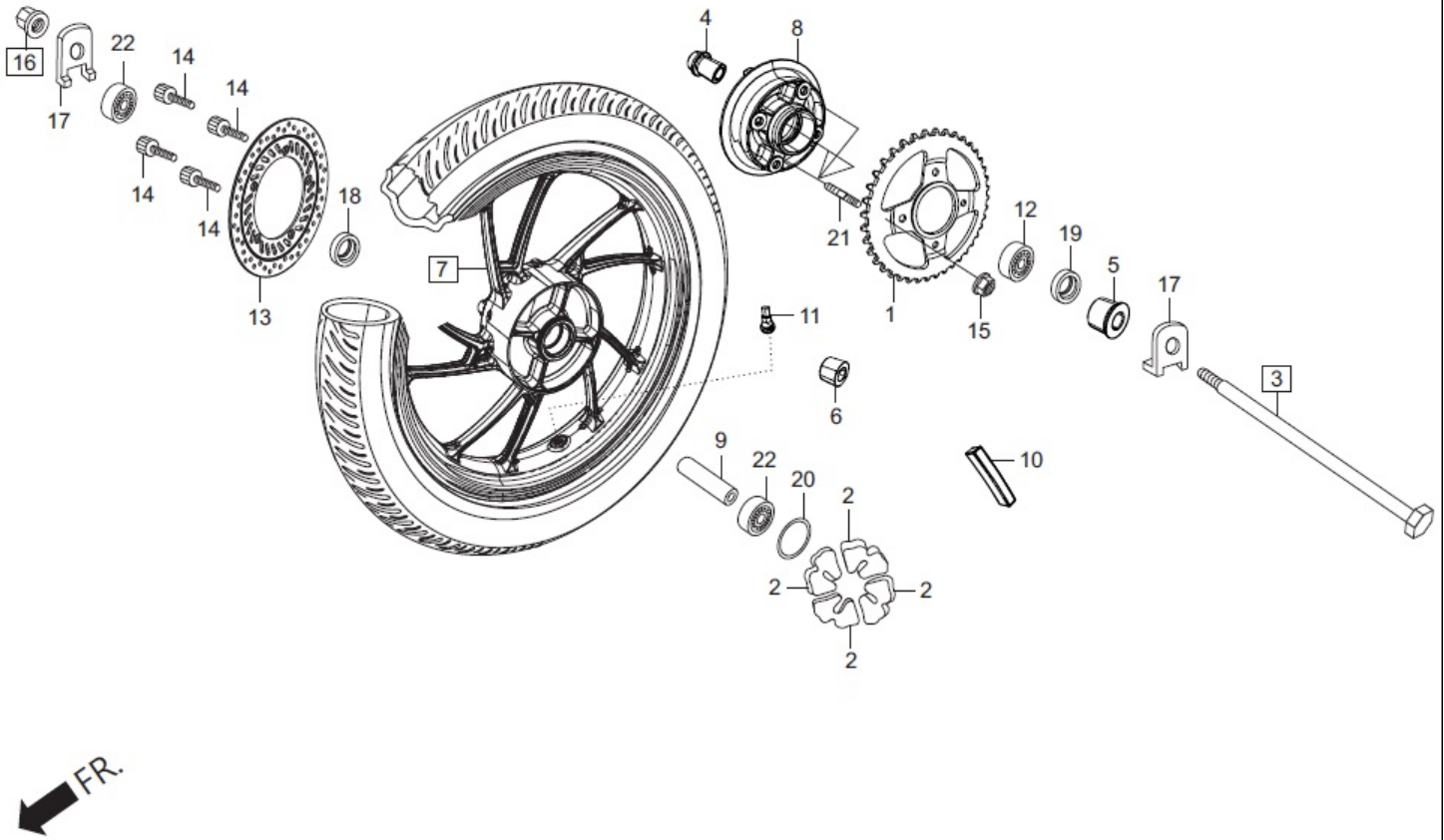
F-8A : REAR BRAKE (CALIPER ASSY. REAR)



Group Number: F-8A Model :: Hunk 200R (Aug, 2018)

Ref No.	Part Number	Description	Req.
1	06451-MA7-405	SEAL SET, PISTON	1
2	43107-MA7-006	PISTON	1
3	43115-AAB-A00	HOLDER RR CALIPER	1
4	43150-AAB-A00	CALIPER SUB ASSY RR	1
5	43215-KGH-901	PIN,HANGER	1
6	43352-568-003L	SCREW BLEEDER	1
7	43353-461-771L	CAP BLEEDER	1
8	45111-MAJ-G41	STOPPER RING	1
9	45131-GE2-006L	PIN BOLT A	1
10	45131-GZ0-006L	PIN BOLT	1
11	45132-166-016L	BUSH BOOT PIN	1
12	45133-MA3-006L	BOOT B	1
13	45203-MCC-006	PLUG,PIN	1
14	94050-08000	NUT, FLANGE, 8MM	1
15	06435-AAB-A00	PAD SET RR	1
16	43114-KRY-971	SHIM B	1

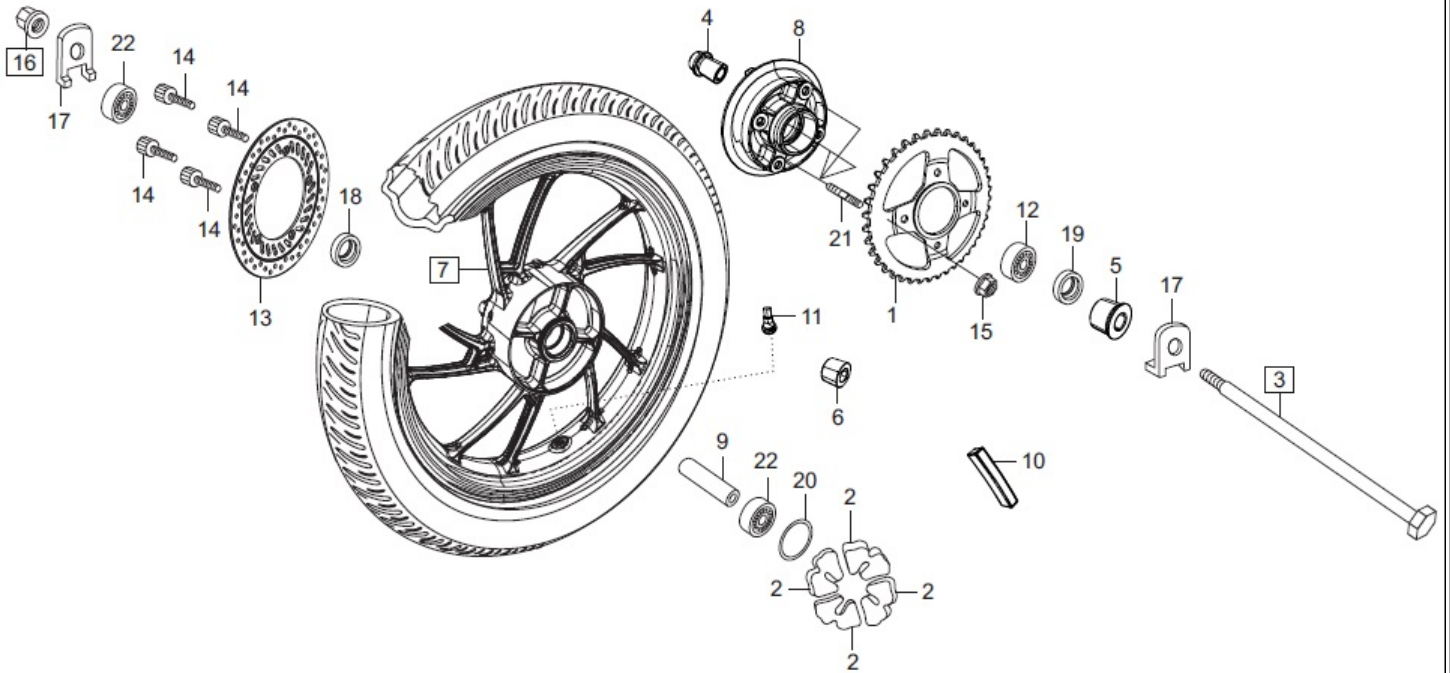
F-9 : RR WHEEL / FLANGE ASSY. DRIVEN



Group Number: F-9 Model :: Hunk 200R (Aug, 2018)

Ref No.	Part Number	Description	Req.
1	41201-AAB-A00	SPROCKET FINAL DRIVEN 37T	1
2	41241-KSP-900	DAMPER, RR WHEEL	4
3	42301-AAB-A00	AXLE RR WHEEL	1
4	42303-AAB-A00	SLEEVE REAR WHEEL	1
5	42311-AAB-A00	COLLAR RR WHEEL SIDE(LH)	1
6	42313-KRY-970	COLLAR RR. BRAKE SIDE	1
7	42601-AAB-A20	WHEEL COMP RR	1
8	42611-KRY-930	FLANGE, FINAL DRIVEN(NH-35M)	1
9	42620-AAR-000	COLLAR RR AXLE DISTANCE	1
10	42703-AAB-A00	WEIGHT BALANCE 5	1
	42704-AAB-A00	WEIGHT BALANCE 10	1
	42705-AAB-A00	WEIGHT BALANCE 20	1
	42707-AAB-A00	WEIGHT BALANCE 15	1
11	42753-KWF-90099	RIM VALVE	1
12	96150-60050-10	BEARING, BALL RADIAL, 6005	1
13	43251-KVN-971	DISC,RR BRAKE	1
14	90105-KL8-741	BOLT, FR.DISK, 8 X 24	4
15	90304-KCS-920	NUT'U 10 MM	4
16	90305-KVN-900	NUT, FLG. PT. 14 MM	1
17	90560-KVE-900	WASHER, R RR. AXLE	2
18	91253-KSP-901	DUST SEAL, 30 X 47 X 8	1
19	91257-230-003	OIL SEAL 28X42X7	1
20	91352-KSP-900	O RING, 51 X 2	1
21	92915-10025-0E	BOLT, STUD II, 10X25	4

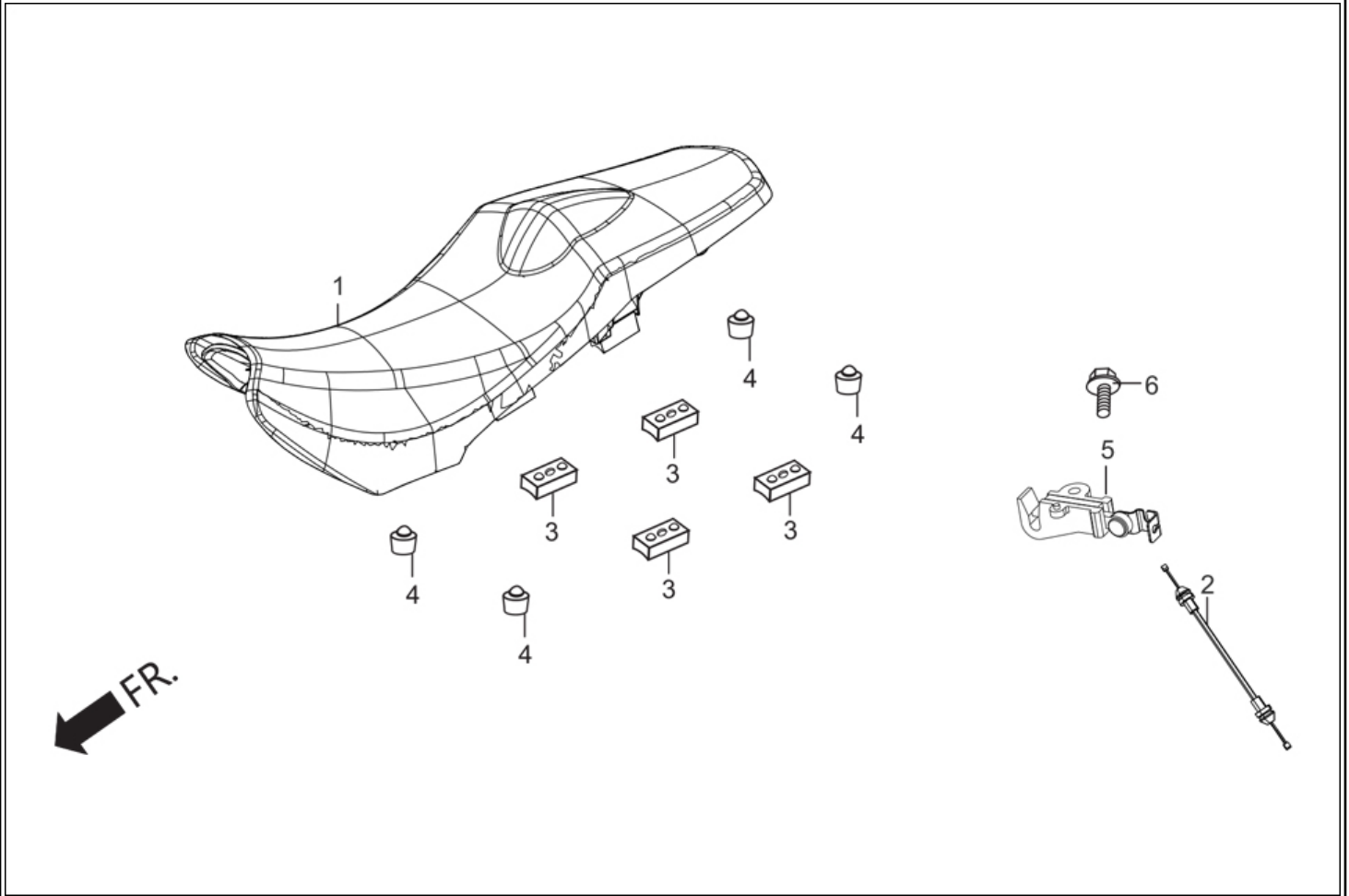
F-9 : RR WHEEL / FLANGE ASSY. DRIVEN



FR. ←

22	96140-63020-10	BRG., BALL RADIAL, 6302 (U)	2
----	----------------	-----------------------------	---

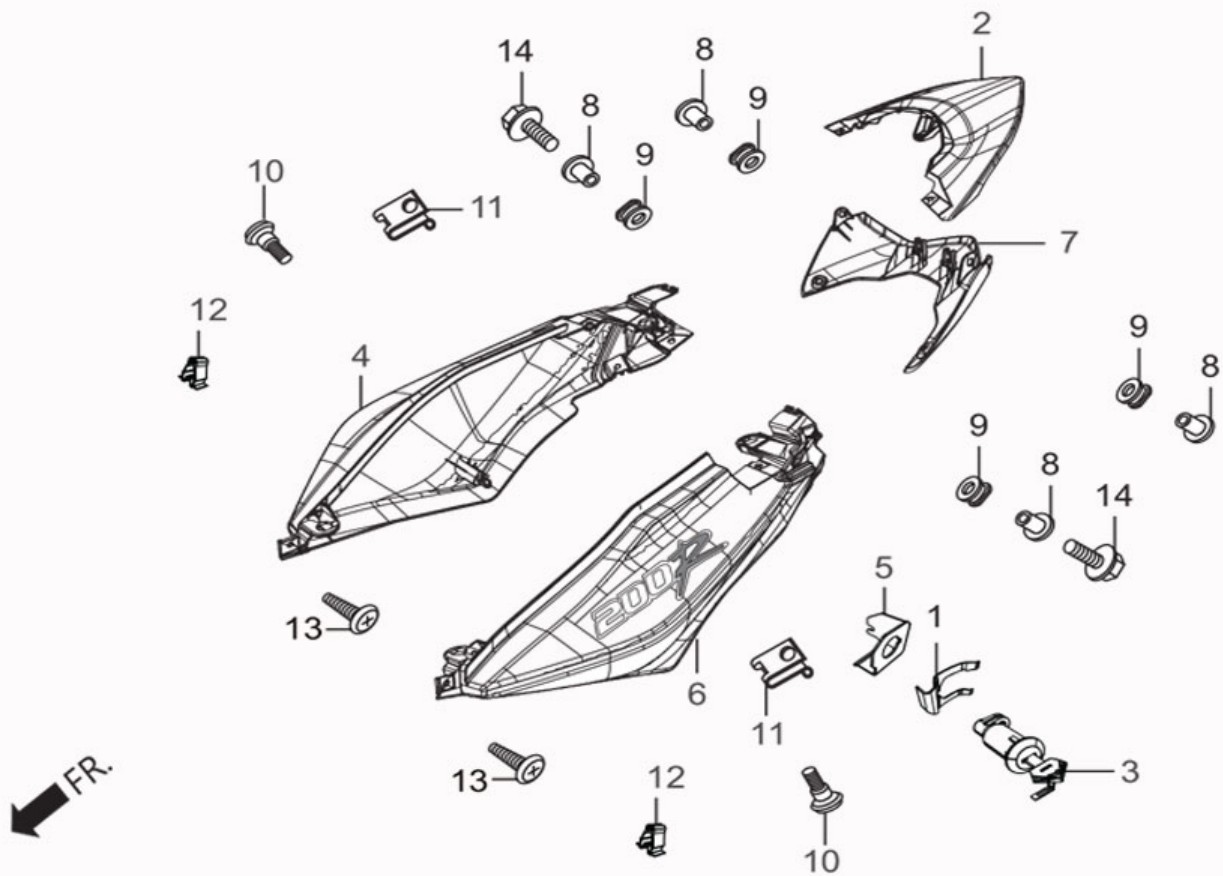
F-10 : SEAT ASSY.



Group Number: F-10 Model :: Hunk 200R (Aug, 2018)

Ref No.	Part Number	Description	Req.
1	77200-AAB-A00	SEAT COMP DOUBLE	1
2	77156-AAB-A00	CABLE SEAT LOCK	1
3	77204-KCC-900	RUBBER, `A SEAT SETTING	4
4	77206-KTR-900	RUBBER, SEAT CUSHION	4
5	77221-KVE-860	HOOK SEAT CATCH	1
6	95701-06012-00	BOLT, FLANGE, 6X12	1

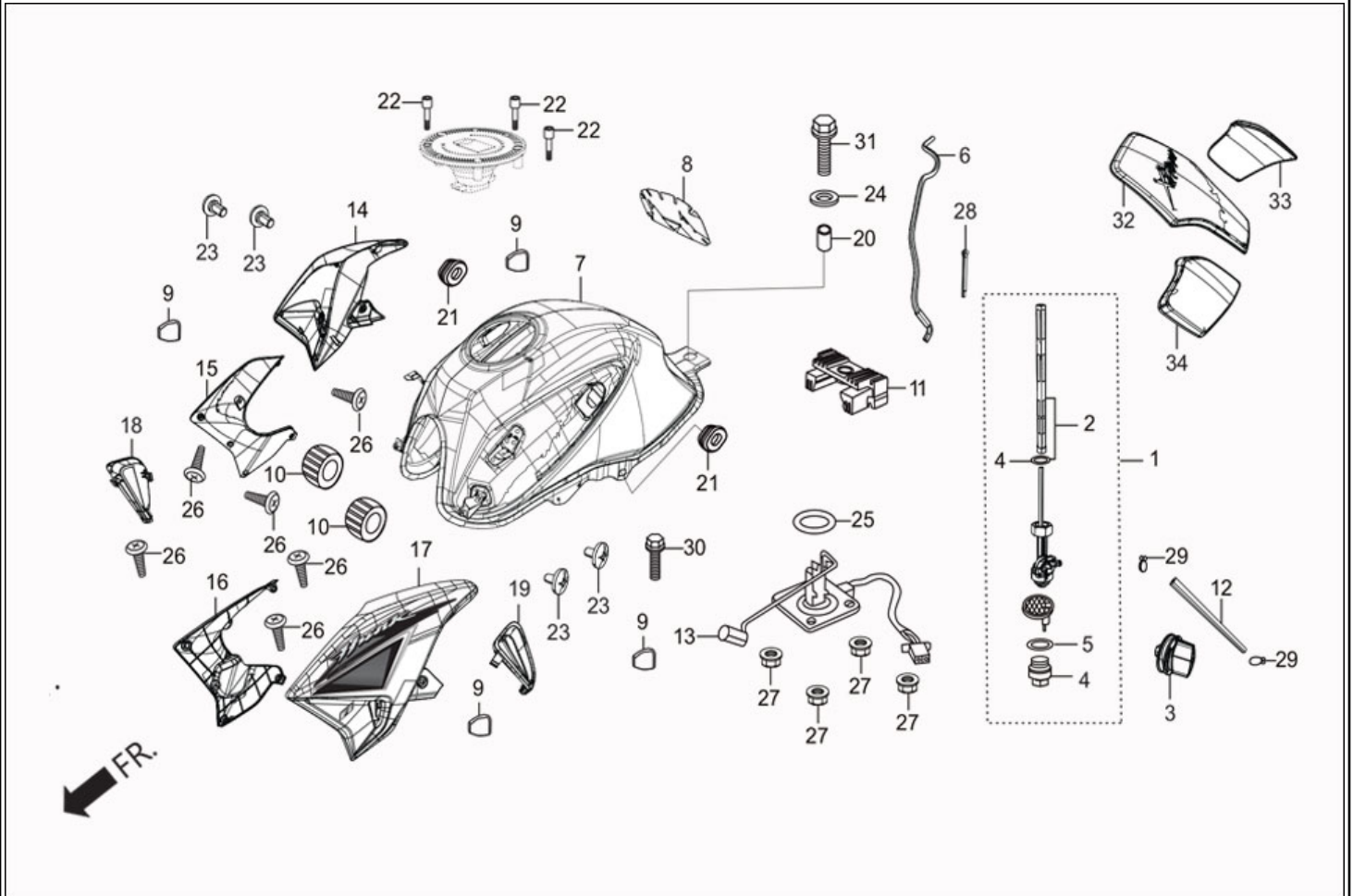
F-10A : BODY COVER (R./L. COWLS)



Group Number: F-10A Model :: Hunk 200R (Aug, 2018)

Ref No.	Part Number	Description	Req.
1	75582-KCW-870	SET SPG, LOCK KEY	1
2	77235-AAB-A000	SET COWL CENTER REAR	1
3	77239-AAB-H61	KEY SEAT LOCK	1
4	77240-ABF-100R	SET COWL R REAR (SPORTS RED)	1
5	77244-AAB-000	STAY SEAT LOCK CABLE	1
6	77250-ABF-100R	SET COWL L REAR (SPORTS RED)	1
7	77266-AAB-A000	COWL RR UNDER	1
8	80111-KVN-900	COLLAR, RR. FENDER	4
9	80112-KVN-900	RUBBER, RR FENDER	4
10	90101-GE0-000	SCREW, HINGE PATCH	9
11	90320-GC3-000	NUT, SPRING, M5	6
12	90666-AAB-000	CLIP SNAP FIT	2
13	93903-34310	SCREW TAPPING M4X12	2
14	95701-06020-00	BOLT, FLANGE, 6X20	2

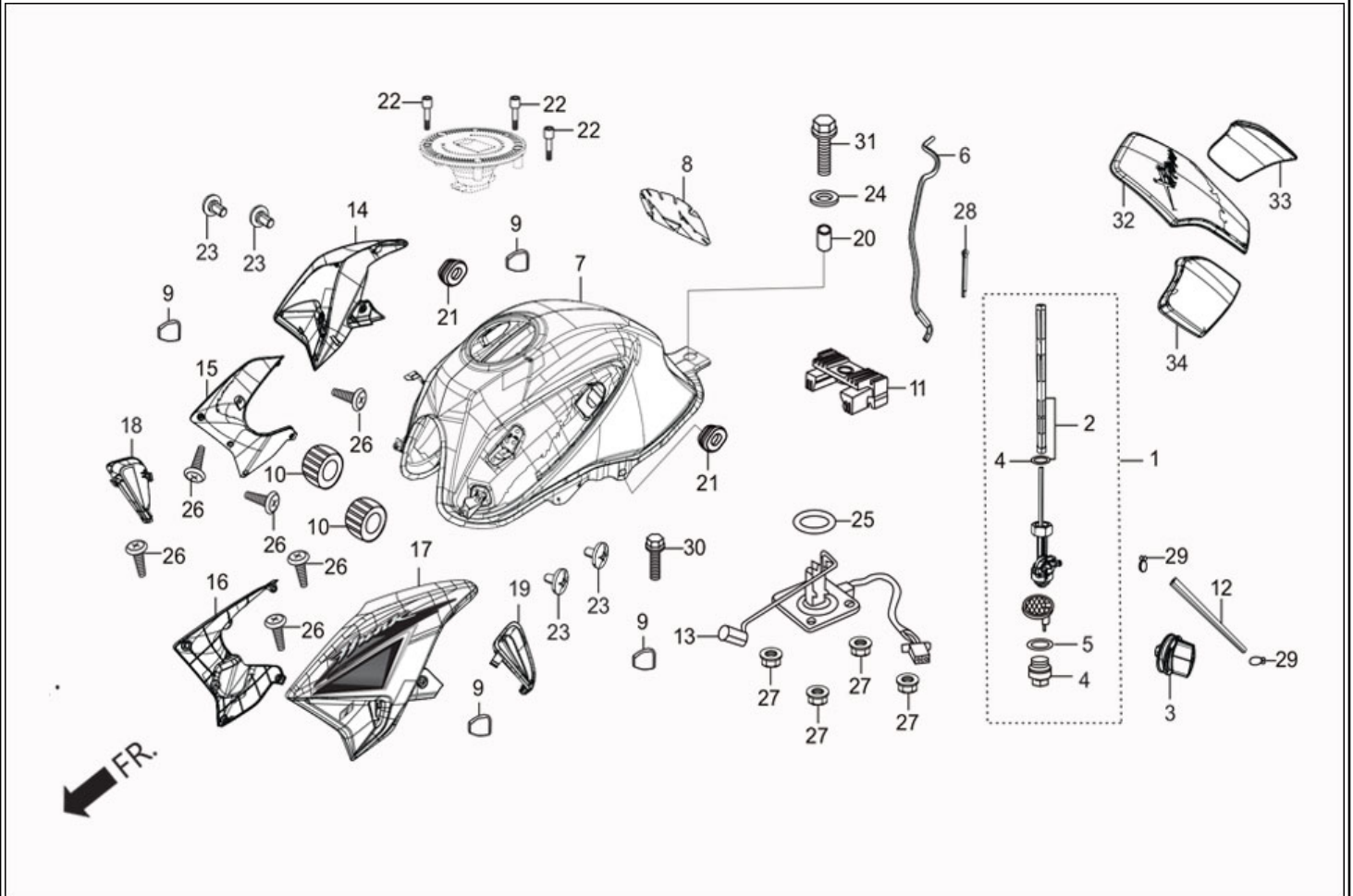
F-11 : FUEL TANK



Group Number: F-11 Model :: Hunk 200R (Aug, 2018)

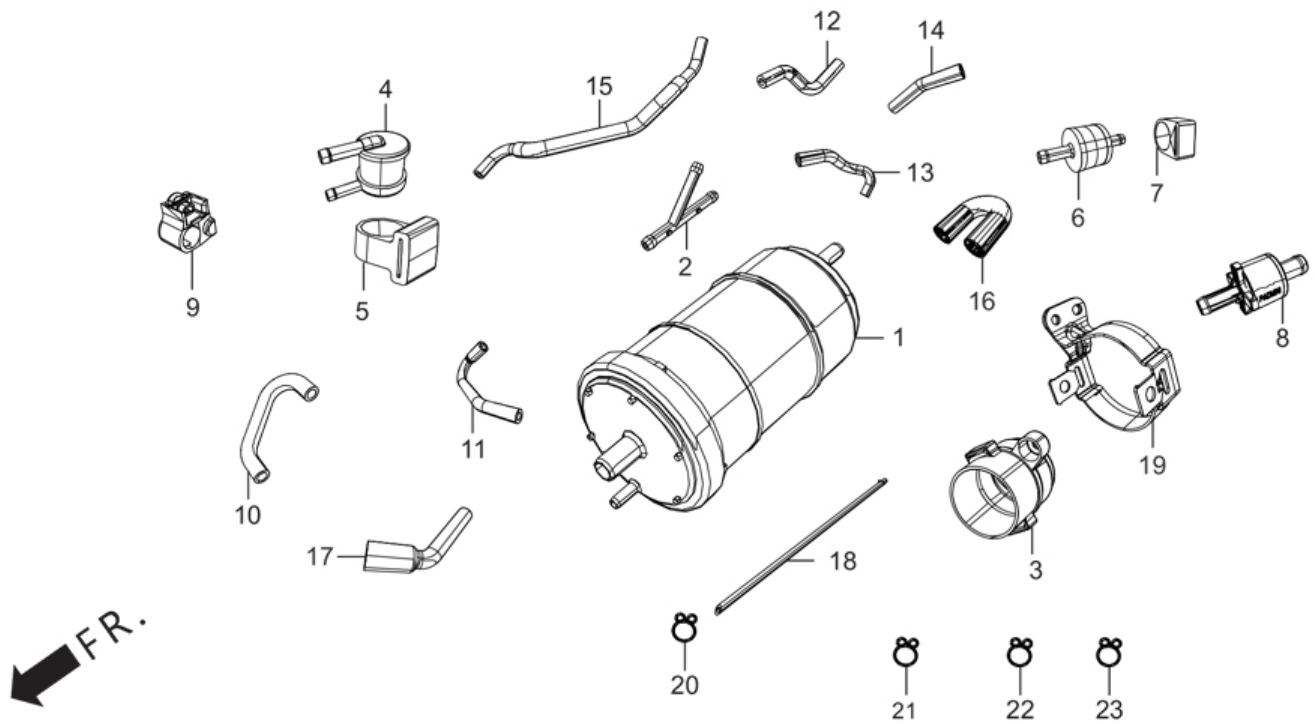
Ref No.	Part Number	Description	Req.
1	16950-AAB-A01	COCK ASSY FUEL	1
2	16952-AAB-A01	SET FUEL STRAINER SCREEN	1
3	16955-AAB-A00	LEVER FUEL COCK	1
4	16956-AAB-A00	O RING 33.9X5	1
5	16958-397-770	O-RING	1
6	17199-KTR-900	TUBE, DRAIN	1
7	17510-AAB-C00R	TANK COMP FUEL (MAT AXIS GRAY ME.)	1
	17510-AAB-A00S	TANK COMP FUEL (BLACK NH-1)	1
	17510-AAB-A00U	TANK COMP FUEL (TECHNO BLUE ME.)	1
	17510-AAB-A00V	TANK COMP FUEL (SPORTS RED)	1
8	17506-AAB-A00	TANK FILM PROTECTOR	1
9	17529-KVN-900	RUBBER SHROUD MOUNT	4
10	17611-KRY-970	CUSHION , FRONT FUEL TANK	2
11	17613-MV4-000	CUSHION, RR. FUEL TANK	1
12	17681-AAB-A00	TUBE FUEL	1
13	37800-KVN-901	UNIT, ASSY. FUEL	1
14	50200-AAB-C00R	SET SHROUD R. (MAT AXIS GRAY ME.)	1
	50200-ABF-100R	SET SHROUD R. (SPORTS RED)	1
	50200-ABF-100S	SET SHROUD R. (BLACK NH-1)	1
	50200-ABF-100U	SET SHROUD R. (TECHNO BLUE ME.)	1
15	50265-AAB-A00	SHROUD R INNER	1
16	50275-AAB-A00	SHROUD L INNER	1
17	50300-AAB-C00R	SET SHROUD L. (MAT AXIS GRAY ME.)	1
	50300-ABF-100R	SET SHROUD L. (SPORTS RED)	1

F-11 : FUEL TANK



	50300-ABF-100S	SET SHROUD L. (BLACK NH-1)	1
	50300-ABF-100U	SET SHROUD L. (TECHNO BLUE ME.)	1
18	64720-AAB-A00	LOUVER R	1
19	64820-AAB-A00	LOUVER L	1
20	80101-KVN-900	COLLAR, 8 X 12	1
21	83551-300-000	GROMMET, AIR CLEANER CASE	2
22	90074-KVE-900	BOLT SOCKET 4 X 21	3
23	90108-KVN-900	BOLT, COWL SET	4
24	90534-MV4-000	WASHER ,8.5X28	1
25	91305-443-740	O RING, 39.5 X 5	1
26	93903-34380	SCREW, TAPPING, 4X12	12
27	94050-06000	NUT, FLANGE, 6 MM	4
28	94201-25250	PIN, SPLIT, 2.5X25	1
29	95002-50000	CLIP, C9 TUBE	2
30	95701-06012-00	BOLT, FLANGE, 6X12	1
31	95701-08025-08	BOLT, FLANGE, 8X25	1
32	17547-AAB-A00	PAD FUEL TANK MIDDLE	1
33	17548-AAB-A00	PAD FUEL TANK R	1
34	17549-AAB-A00	PAD FUEL TANK L	1

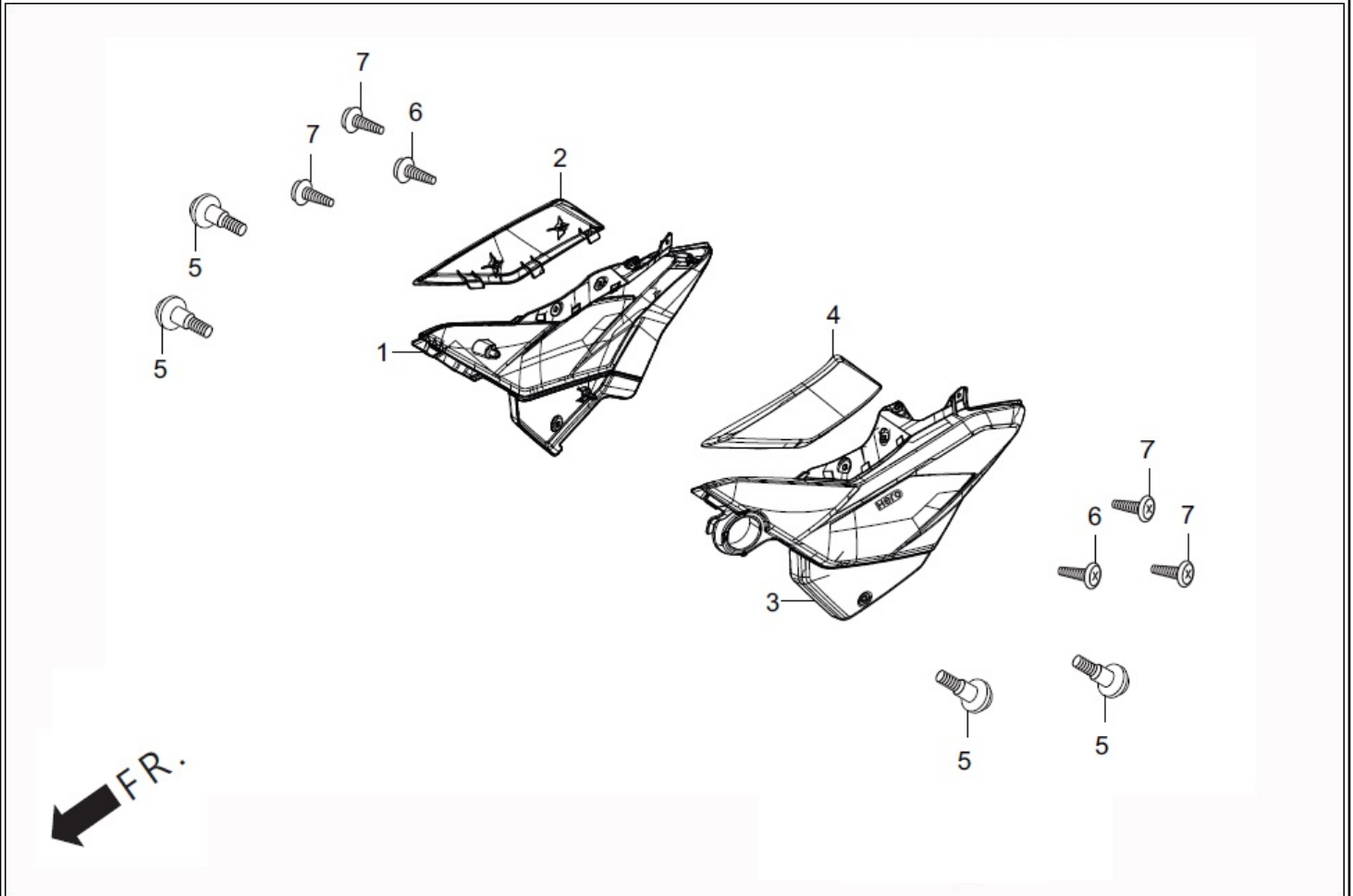
F-11A : FUEL TANK (CANISTER ASSY.)



Group Number: F-11A Model :: Hunk 200R (Aug, 2018)

Ref No.	Part Number	Description	Req.
1	17410-AAM-001	CANISTER COMP	1
2	17230-AAH-100	JOINT 3 WAY	1
3	17411-AAB-A00	SUSP CANISTER	1
4	17420-AAD-A00	ROLL OVER VALVE	1
5	17421-AAB-500	SUSP ROLL OVER VALVE	1
6	17430-AAE-100	ONE WAY VALVE	1
7	17431-AAH-A00	SUSP. ONE WAY VALVE	1
8	17460-AAE-10099	PURGE VALVE	1
9	17646-MN8-700	RUBBER SEAL BREATHER	1
10	17670-AAB-A00	PURGE TUBE A	1
11	17671-AAB-A00	PURGE TUBE B	1
12	17690-AAB-A00	TUBE A PIPE BREATHER	1
13	17691-AAB-A00	TUBE A CANISTER	1
14	17693-AAB-A00	TUBE A J3W	1
15	17694-AAB-A00	TUBE B J3W	1
16	17695-AAH-A00	TUBE BREATHER OWV	1
17	17695-AAM-000	TUBE AIR CANISTER	1
18	17699-AAT-000	TUBE DRAIN CANISTER	1
19	50151-AAB-A00	CANISTER CLIP	1
20	95002-02080	CLIP, TUBE	11
21	95002-02100	CLIP, B-10 TUBE	1
22	95002-02130	CLIP B 12.5 TUBE	1
23	95002-70000	CLIP, C11 TUBE	2

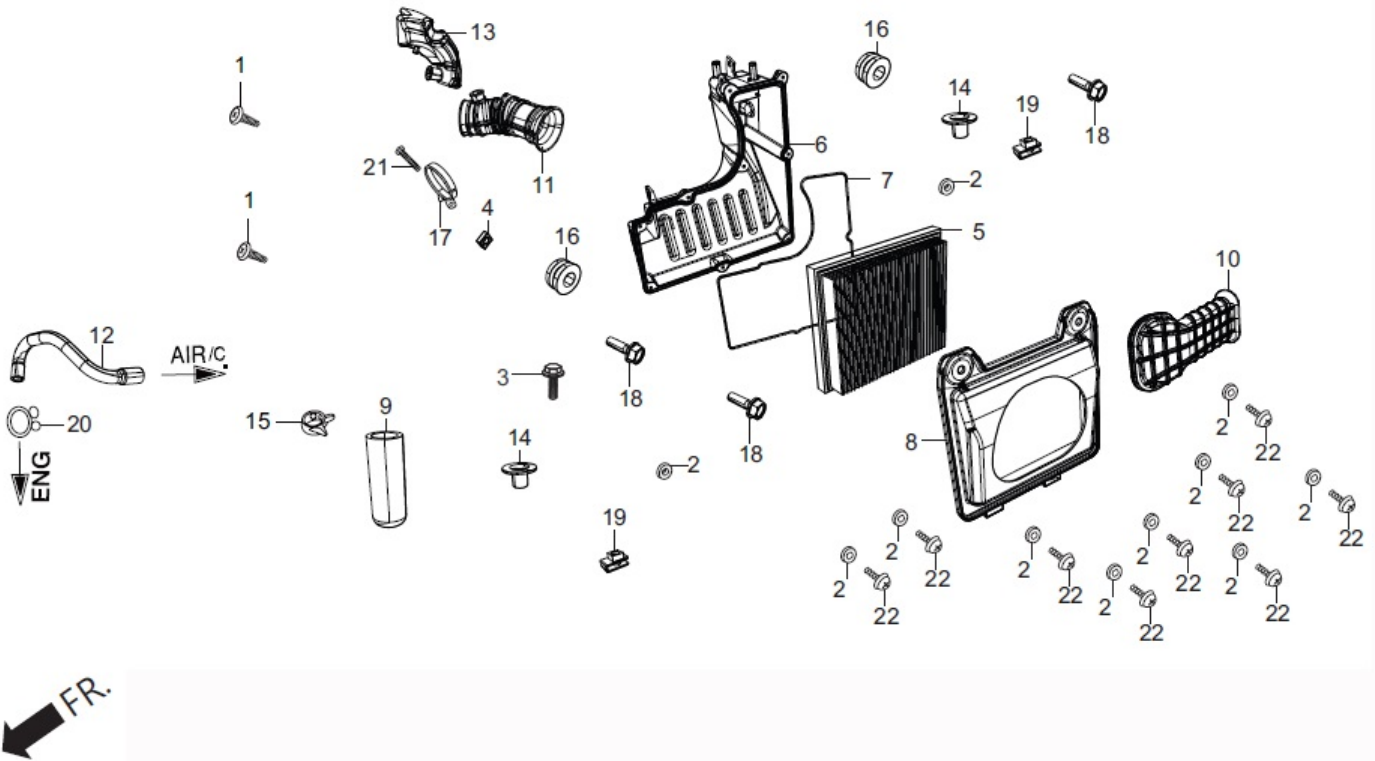
F-12 : SIDE COVER



Group Number: F-12 Model :: Hunk 200R (Aug, 2018)

Ref No.	Part Number	Description	Req.
1	83500-AAB-A000	SET COVER A R SIDE (MBLK, NH-105)	1
2	83550-AAB-C00R	COVER B, R SIDE (MAT AXIS GRAY ME.)	1
	83550-AAB-A00S	COVER B R SIDE (BLK, NH-1)	1
	83550-ABF-100U	COVER B, R SIDE (TECHNO BLUE ME.)	1
	83550-AAB-A00V	COVER B R SIDE (SRD, R-321)	1
3	83600-AAB-A000	SET COVER A L SIDE (MBLK, NH-105)	1
4	83650-AAB-C00R	COVER B, L SIDE (MAT AXIS GRAY ME.)	1
	83650-AAB-A00S	COVER B L SIDE (BLK, NH-1)	1
	83650-ABF-100U	COVER B, L SIDE (TECHNO BLUE ME.)	1
	83650-AAB-A00V	COVER B L SIDE (SRD, R-321)	1
5	90101-GE0-000	SCREW, HINGE PATCH	4
6	90381-KWA-940	SCREW SPECIAL 6×13	2
7	93903-34220	SCREW TAPPING 4X10	4

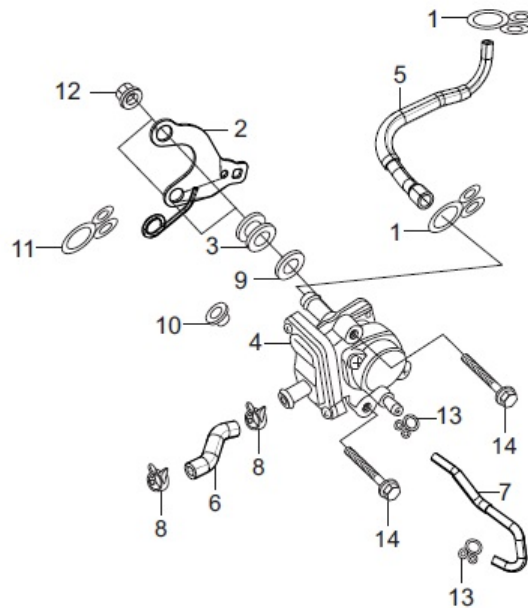
F-13 : AIR CLEANER



Group Number: F-13 Model :: Hunk 200R (Aug, 2018)

Ref No.	Part Number	Description	Req.
1	93500-05016-1H	SCREW, PAN, 5 X 16	2
2	94101-05000	WASHER , PLAIN, 5MM	11
3	95701-06012-07	BOLT, FLANGE, 6X12	1
4	16222-MV4-300	NUT, SQUARE, 5 MM	1
5	17208-AAB-A00	ELEMENT COMP AIR/C	1
6	17210-AAB-A00	CASE SUB ASSY A/C	1
7	17214-AAB-A00	SEAL B AIR CLEANER	1
8	17225-AAB-A00	COVER SUB ASSY A/C	1
9	17227-ABA-000	V.TUBE 11X15X40	1
10	17251-AAB-A00	DUCT AIR/C	1
11	17253-AAB-A00	TUBE AIR/C CONNECTOR	1
12	17371-AAB-A01	TUBE BREATHER	1
13	17410-AAB-A00	RESONATOR	1
14	19052-KV0-000	COLLAR, RADIATOR MTG	2
15	19509-GE2-003	CLAMP, D19 TUBE	1
16	83545-KCJ-690	RUBBER, SIDE COVER	2
17	95018-58320	BAND 58 AIR/C CONN TUBE	1
18	95701-06020-00	BOLT, FLANGE, 6X20	3
19	90311-MT3-000	NUT, CLIP, 6 MM	2
20	90601-KAF-003	CLIP, SW. COVER	1
21	93500-05025-0G	SCREW PAN 5X25	1
22	93903-25380	SCREW TAPPING 5X16	9

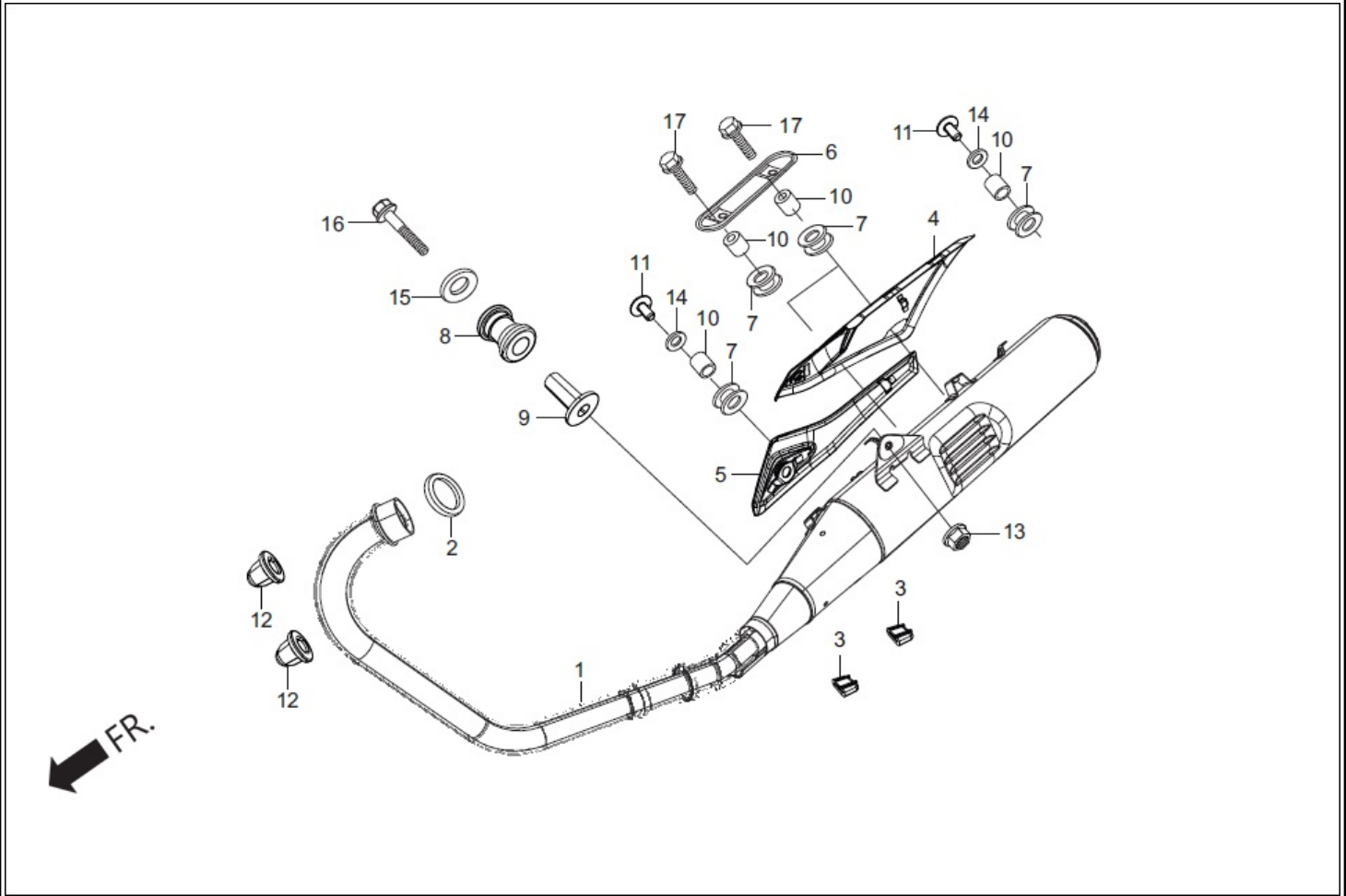
F-13A : AIR CLEANER (AIR SUCTION VALVE)



Group Number: F-13A Model :: Hunk 200R (Aug, 2018)

Ref No.	Part Number	Description	Req.
1	15772-KTN-900	CLIP BREATHER TUBE	4
2	17365-AAB-A00	PLATE ASV SET	1
3	17622-GB7-900	RUBBER, CUSHION	2
4	18600-KSP-901	VALVE, ASSY. AIR SUCTION	1
5	18601-AAB-A00	TUBE A ASV	1
6	18602-AAB-A00	TUBE B ASV	1
7	18655-AAB-A00	TUBE PB ASV	1
8	19509-KFN-850	CLAMP, D16 TUBE	2
9	90417-041-000	WASHER, GEAR SHIFT DRUM SIDE	2
10	90502-KVE-900	COLLAR RUBBER CUSHION	2
11	90601-KAF-003	CLIP, SW. COVER	1
12	94050-06000	NUT, FLANGE, 6 MM	2
13	95002-02070	CLIP, B-7 TUBE	2
14	95701-06030-00	BOLT, FLANGE, 6X30	2

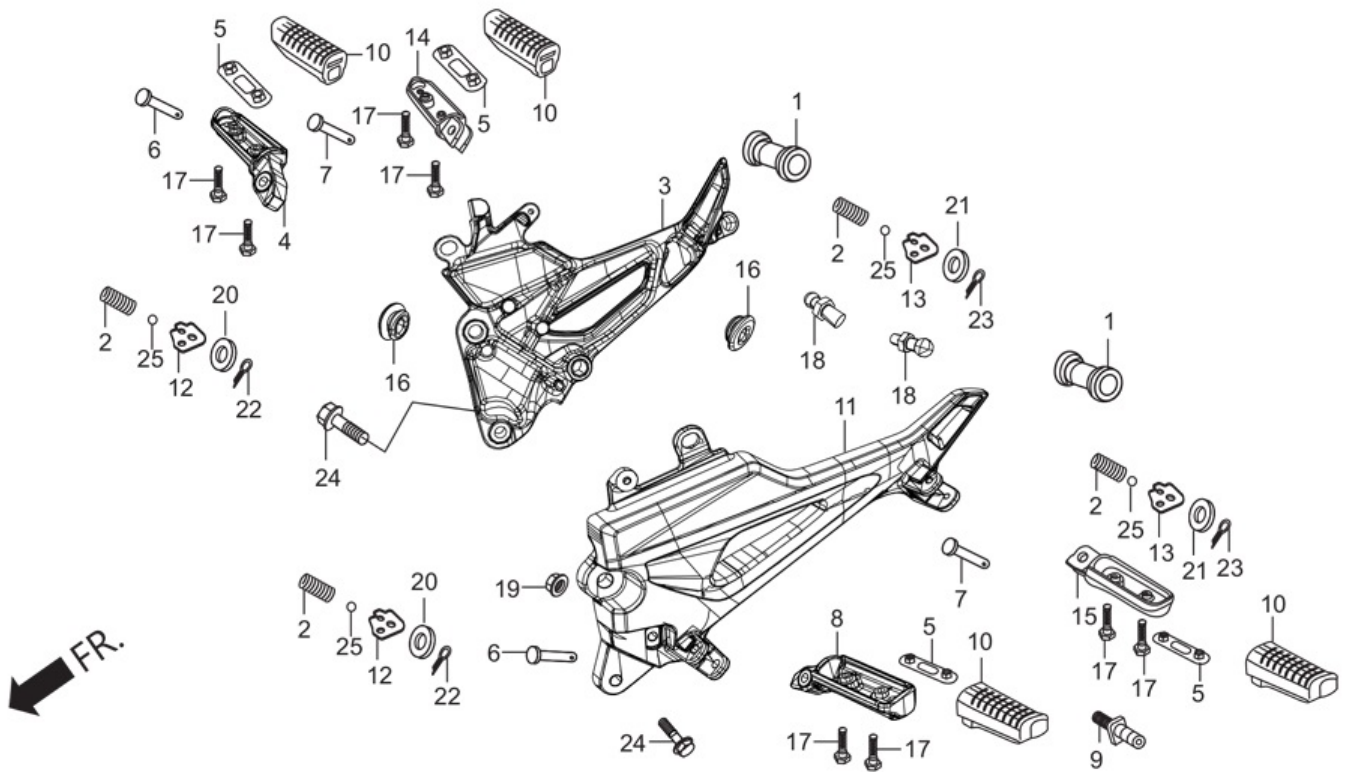
F-14 : MUFFLER



Group Number: F-14 Model :: Hunk 200R (Aug, 2018)

Ref No.	Part Number	Description	Req.
1	18300-AAB-A00	MUFFLER COMPLETE EXHAUST	1
2	18291-KRY-930	GASKET, EXHAUST PIPE	1
3	18293-KPK-900	RUBBER, PKG. PROTECTOR	2
4	18312-AAB-A00	ASSY COVER MUFFLER UPPER	1
5	18313-AAB-A00	ASSY COVER MUFFLER LOWER	1
6	18317-KVN-900	PROTECTOR, MUFF	1
7	18345-MBT-610	RUBBER, PROTECTOR, MOUNT	4
8	18421-438-670	RUBBER, MUFFLER MOUNT	1
9	18442-KRC-900	COLLAR, MUFFLER MOUNT	1
10	33619-459-840A	COLLAR,WINKER STAY	4
11	90107-KST-940	SCREW MUFF. PROTECTOR MOUNT	2
12	90305-KSP-900	NUT, 8MM EXP.	2
13	94050-10000	NUT, FLANGE, 10MM	1
14	94101-06000	WASHER, PLAIN, 6 MM	2
15	94103-10000	WASHER, PLAIN, 10MM	1
16	95801-10055-00	BOLT, FLANGE, 10X55	1
17	96001-06014-02	BOLT, FLANGE SH. 6 X 14	2

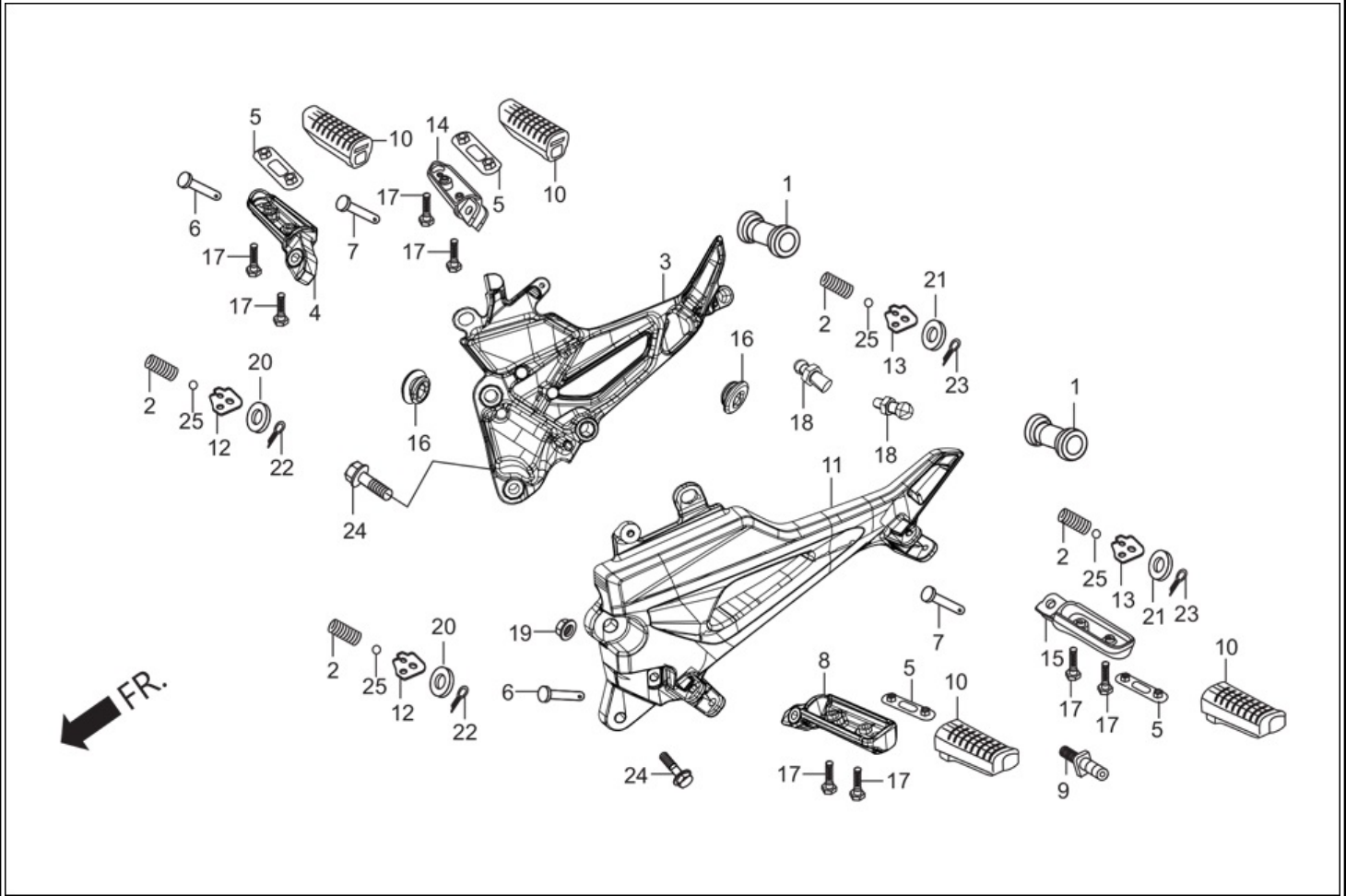
F-15 : STEP PILLION / HOLDER / BRKT.



Group Number: F-15 Model :: Hunk 200R (Aug, 2018)

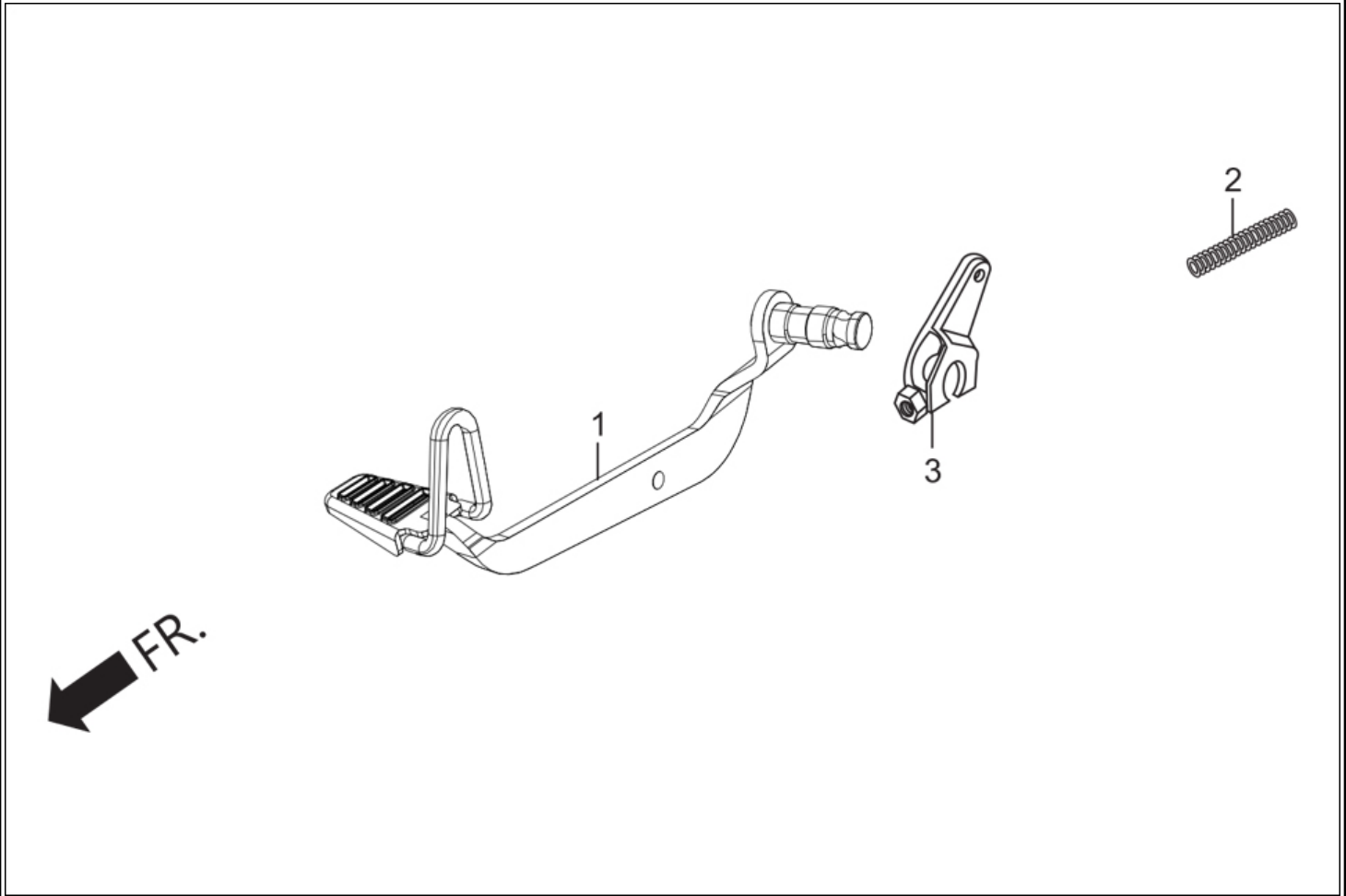
Ref No.	Part Number	Description	Req.
1	18421-438-670	RUBBER, MUFFLER MOUNT	1
2	28333-300-000	SPRING KICK STARTER STOPPER	4
3	50600-AAB-010	HOLDER R STEP (DISK)	1
4	50612-AAB-A00	ARM R STEP	1
5	50619-KRY-970	PLATE STEP SET	4
6	50638-KRY-970	PIN, STEP BAR PILLION	2
7	50639-KRY-970	PIN, STEP BAR	2
8	50642-AAB-A00	ARM L STEP	1
9	50643-KCT-690	PIVOT,CHANGE PEDAL	1
10	50661-KVE-860	RUBBER,STEP	4
11	50700-AAB-A00	HOLDER L STEP	1
12	50718-AAB-H70	PLATE P STEP CLICK	2
13	50718-KRY-970	PLATE, P STEP CLICK	2
14	50720-KRY-970	ARM, R PILLION STEP	1
15	50730-KRY-970	ARM, L PILLION STEP	1
16	83551-MA6-000	GROMMET,SIDE COVER	2
17	90115-MV9-000	BOLT, M. STEP RUB.SET	8
18	92501-AAB-A00	BOLT HEX SPL 8X10	2
19	94050-08000	NUT, FLANGE, 8MM	1
20	94101-06000	WASHER, PLAIN, 6 MM	2
21	94102-08000	WASHER, PLAIN, 8MM	2
22	94201-16120	PIN, SPLIT, 1.6 X 12	2
23	94201-20150	PIN, SPLIT, 2.0 X 15	2
24	95701-10025-00	BOLT, FLANGE, 10 X 25	2

F-15 : STEP PILLION / HOLDER / BRKT.



25	96211-08000	BALL STEEL 8 MM	4
----	-------------	-----------------	---

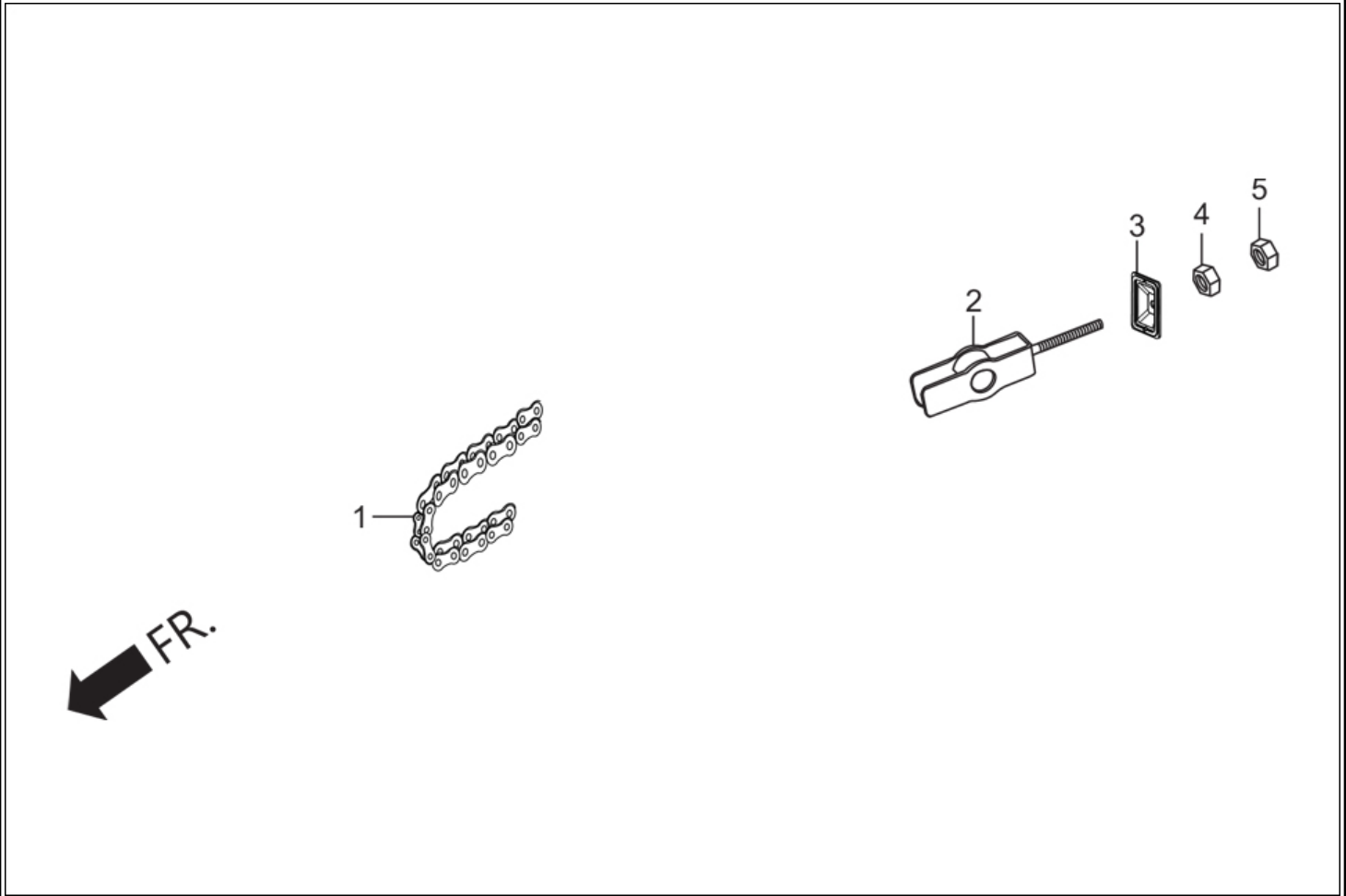
F-15A : STEP PILLION / HOLDER / BRKT. (PEDAL BRAKE)



Group Number: F-15A Model :: Hunk 200R (Aug, 2018)

Ref No.	Part Number	Description	Req.
1	46500-AAB-H60	PEDAL BRAKE	1
2	46514-KN5-670	SPG. BRAKE PEDAL	1
3	46515-KVN-970	ARM COMP,MIDDLE	1

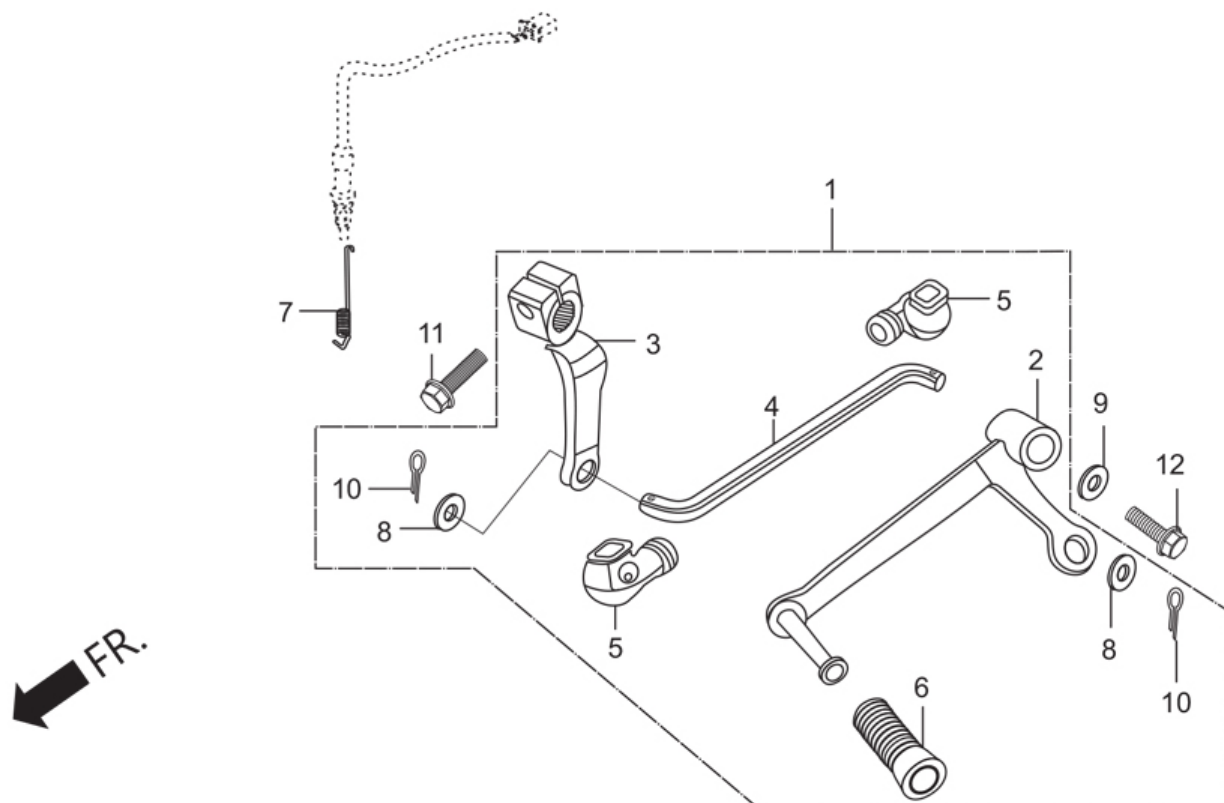
F-16 : CHAIN DRIVE / ADJUSTER CHAIN



Group Number: F-16 Model :: Hunk 200R (Aug, 2018)

Ref No.	Part Number	Description	Req.
1	40530-AAB-A00099	CHAIN DRIVE 520-106	1
2	40543-KRY-900	ADJUSTER, R CHAIN	1
3	40546-KVE-900	CAP, SWINGING END (SSM)	1
4	90302-KBP-900	NUT SPL 6 MM	1
5	94001-06000-0S	NUT, HEX., 6 MM	1

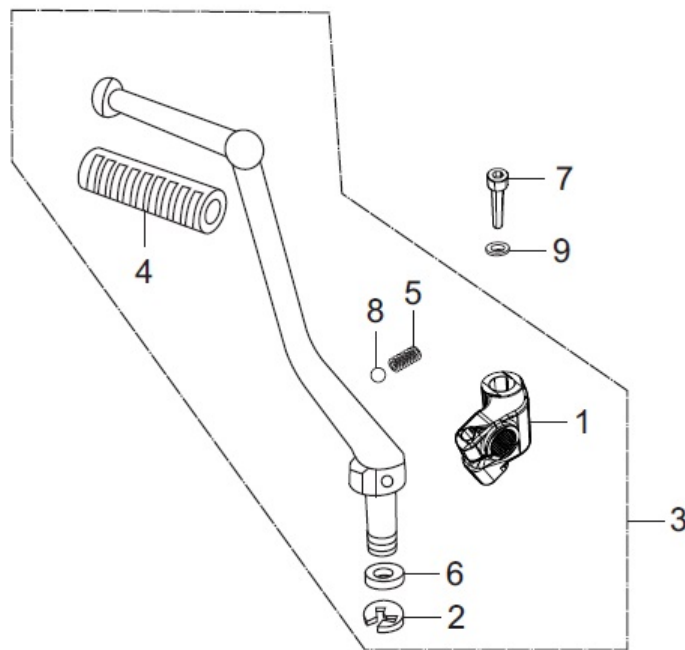
F-17 : PEDAL



Group Number: F-17 Model :: Hunk 200R (Aug, 2018)

Ref No.	Part Number	Description	Req.
1	24700-KVE-900	PEDAL ASSY. GEAR CHANGE	1
2	24701-KVE-900	PEDAL, GEAR CHANGE	1
3	24711-KVE-900	ARM, GEAR CHANGE PEDAL	1
4	24720-KFN-850	TIE, ROD	1
5	24721-GS3-000	COVER, CHANGE PEDAL	2
6	24781-KR3-770	RUBBER, CHANGE PEDAL	1
7	35357-KVN-970	SPG, STOP SW	1
8	90502-155-000	WASHER, PLAIN, 7MM	2
9	94103-06000	WASHER PLAIN, 6MM	1
10	94201-20150	PIN, SPLIT, 2.0 X 15	2
11	95701-06020-00	BOLT, FLANGE, 6X20	1
12	96001-06012-00	BOLT, FLANGE, SH., 6 X 12	1

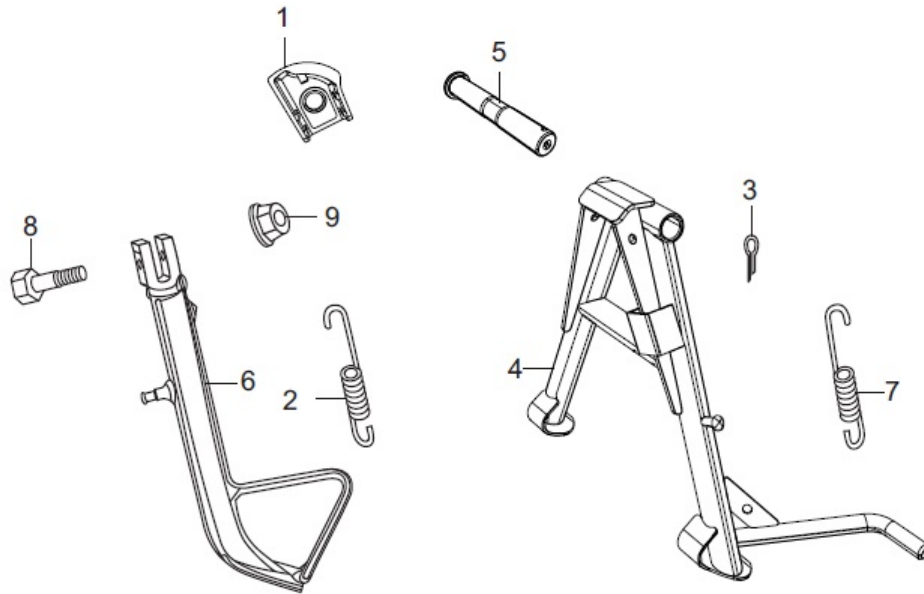
F-17A : KICK STARTER



Group Number: F-17A Model :: Hunk 200R (Aug, 2018)

Ref No.	Part Number	Description	Req.
1	28241-AAK-H00	JOINT KICK ARM	1
2	28293-333-000	CLIP, KICK STARTER ARM	1
3	28300-AAK-H00	ARM ASSY KICK STARTER	1
4	28311-KC5-000	STARTER RUBBER, KICK	1
5	28333-KK0-000	SPRING, KICK STARTER ARM SET	1
6	90505-KRM-860	WASHER, 15.5 X 22	1
7	96700-08040-00	SOCKET, BOLT 8 X 40	1
8	96211-08000	BALL STEEL 8 MM	1
9	94102-08000	WASHER, PLAIN, 8MM	1

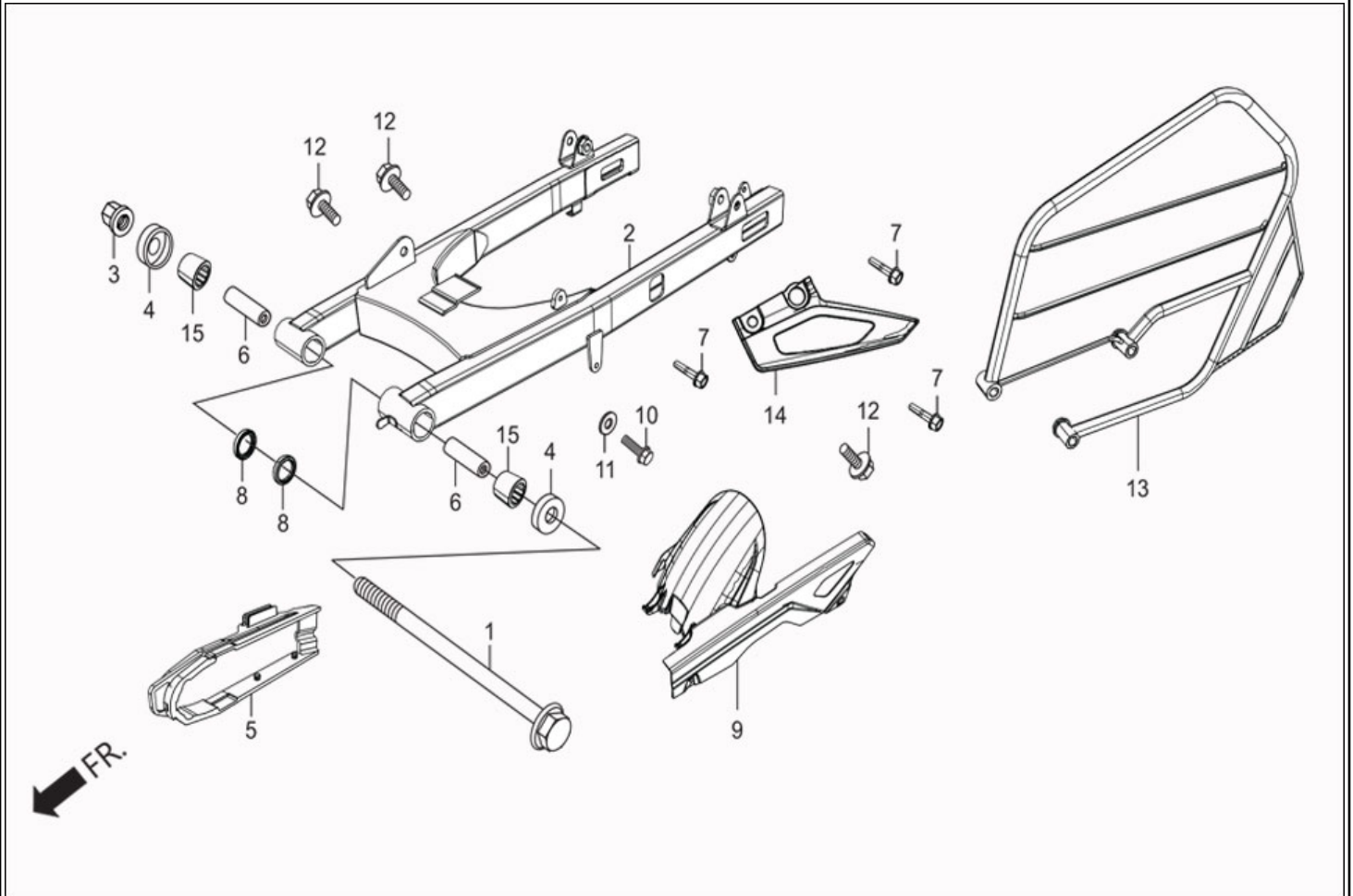
F-18 : CHAIN CASE & STAND



Group Number: F-18 Model :: Hunk 200R (Aug, 2018)

Ref No.	Part Number	Description	Req.
1	35130-AAB-000	MAGNET HOLDER ASSY.	1
2	95014-72102	SPRING, SIDE STAND	1
3	94201-30300	PIN, SPLIT 3 X 30MM	1
4	50500-AAB-A00	STAND COMP MAIN	1
5	50526-KCT-690	SHAFT, MAIN STAND PIVOT	1
6	50530-KVE-900	BAR COMP., SIDE STAND	1
7	95014-71702	SPRING G MAIN STAND	1
8	90107-AAB-000	SCREW SIDE STAND PIVOT	1
9	90304-KFN-850	NUT U 10 MM	1

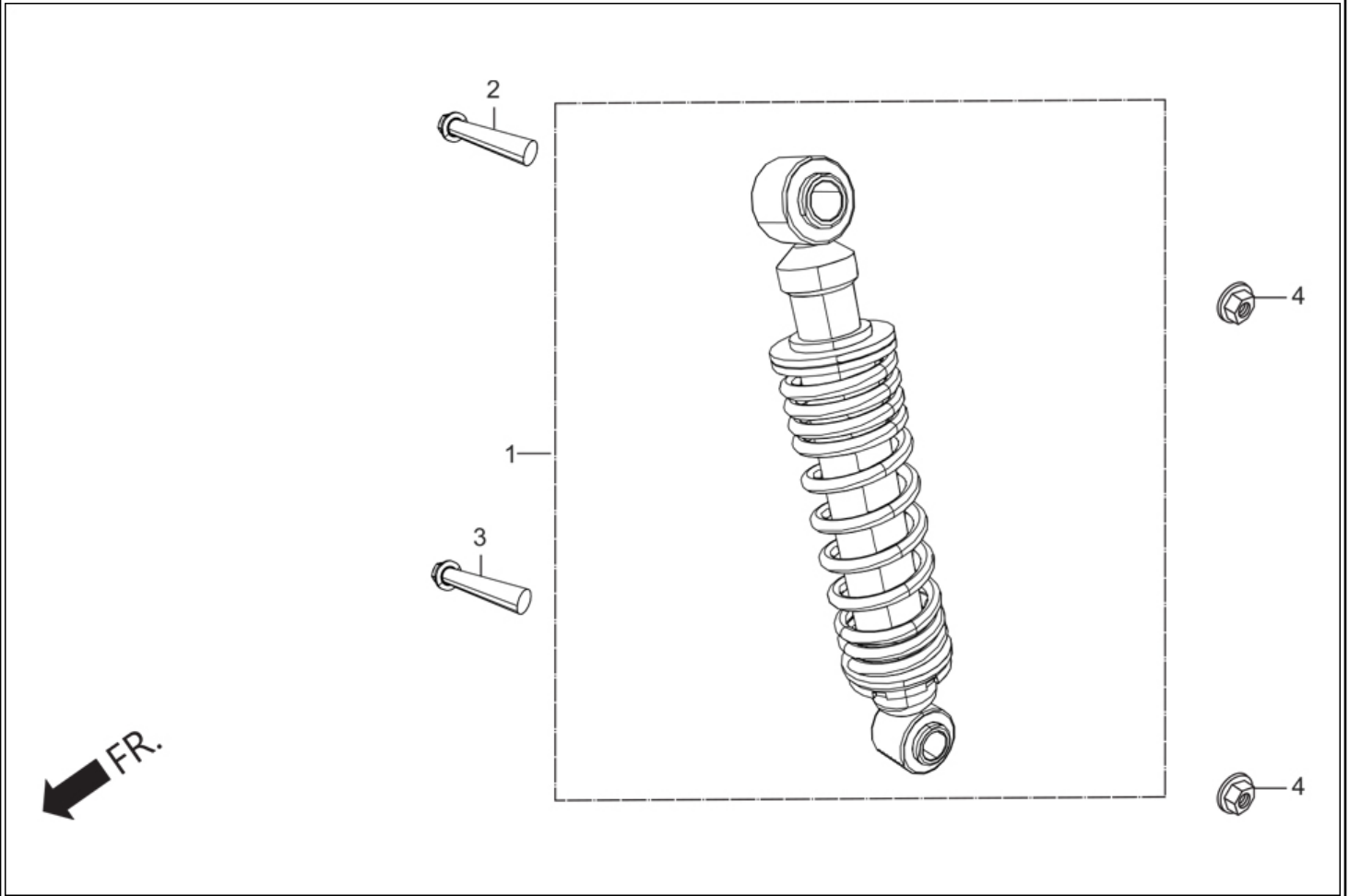
F-18A : SWINGARM / GUARD SAREE /CHAIN CASE



Group Number: F-18A Model :: Hunk 200R (Aug, 2018)

Ref No.	Part Number	Description	Req.
1	52101-KTN-700	BOLT, SWINGARM PIVOT	1
2	52110-AAB-A00	SWINGARM COMP RR	1
3	90305-KVN-900	NUT, FLG. PT. 14 MM	1
4	52144-KEJ-900	DUST SEAL, CAP REAR SWINGARM	2
5	52170-AAB-A00	SLIDER CHAIN	1
6	52143-KVE-900	COLLAR, PIVOT DIST L	2
7	95701-08040-07	BOLT FLANGE,8 X 40	3
8	91254-KS6-003	DUST SEAL 20 X 26 X 4.5	2
9	40510-AAB-A00	UPPER CHAIN CASE	1
10	95701-06012-07	BOLT, FLANGE, 6X12	1
11	90522-AAB-000	WASHER, CHAIN CASE SETTING	1
12	90111-187-000	BOLT, FLANGE. 6 MM	3
13	51103-AAB-A00	GUARD SAREE	2
14	40550-AAB-A00	GUARD LOWER FINAL DRIVE	1
15	91071-KVN-900	BRG, NEEDLE 20X26X20	2

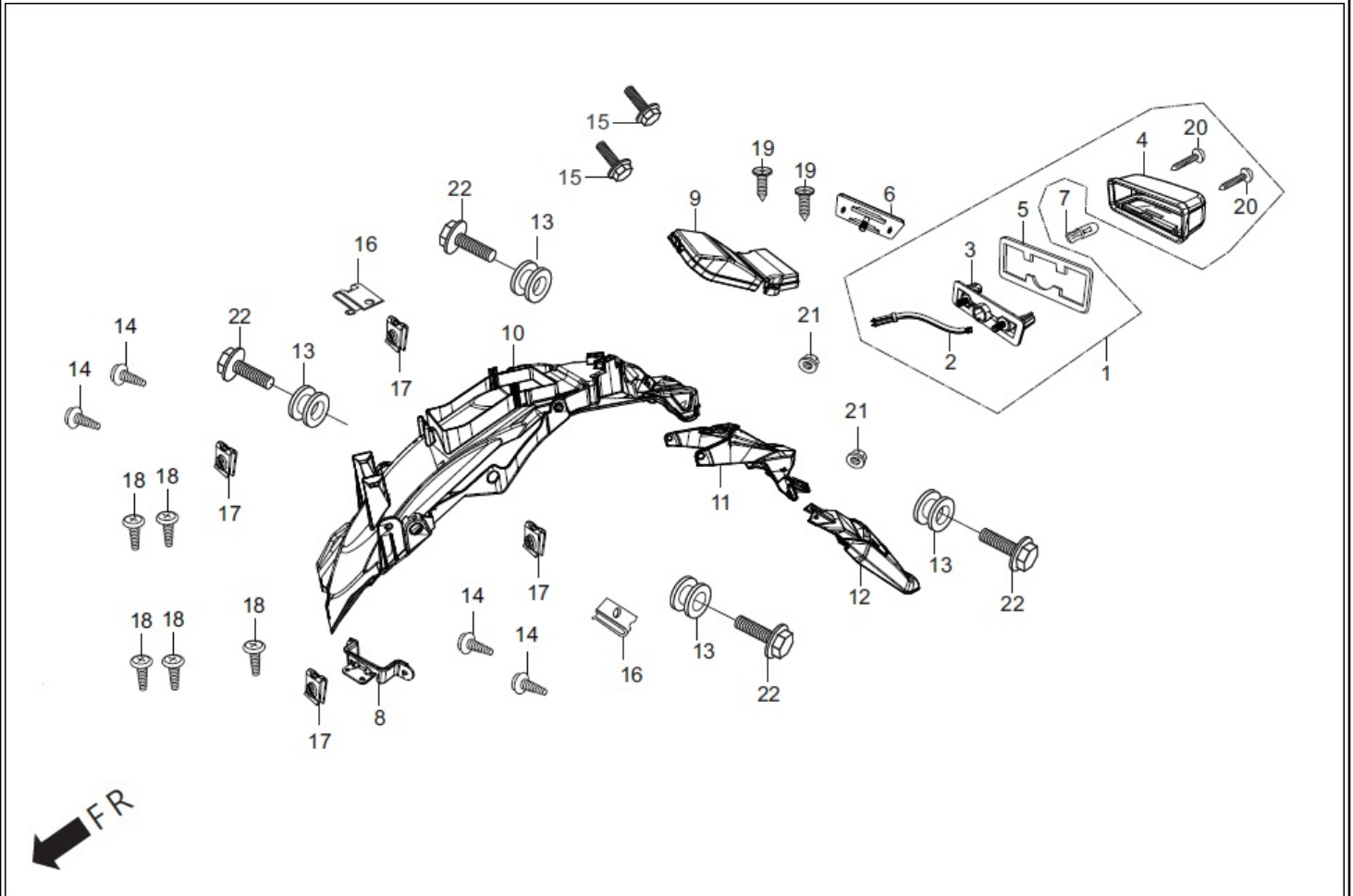
F-19 : CUSHION REAR



Group Number: F-19 Model :: Hunk 200R (Aug, 2018)

Ref No.	Part Number	Description	Req.
1	52400-AAB-A02	CUSHION ASSY REAR	1
2	90154-AAB-A00	BOLT FLANGE 10X55	1
3	90159-AAB-A00	BOLT FLANGE 10X50	1
4	90304-KST-942	NUT FLG.PT 10MM	2

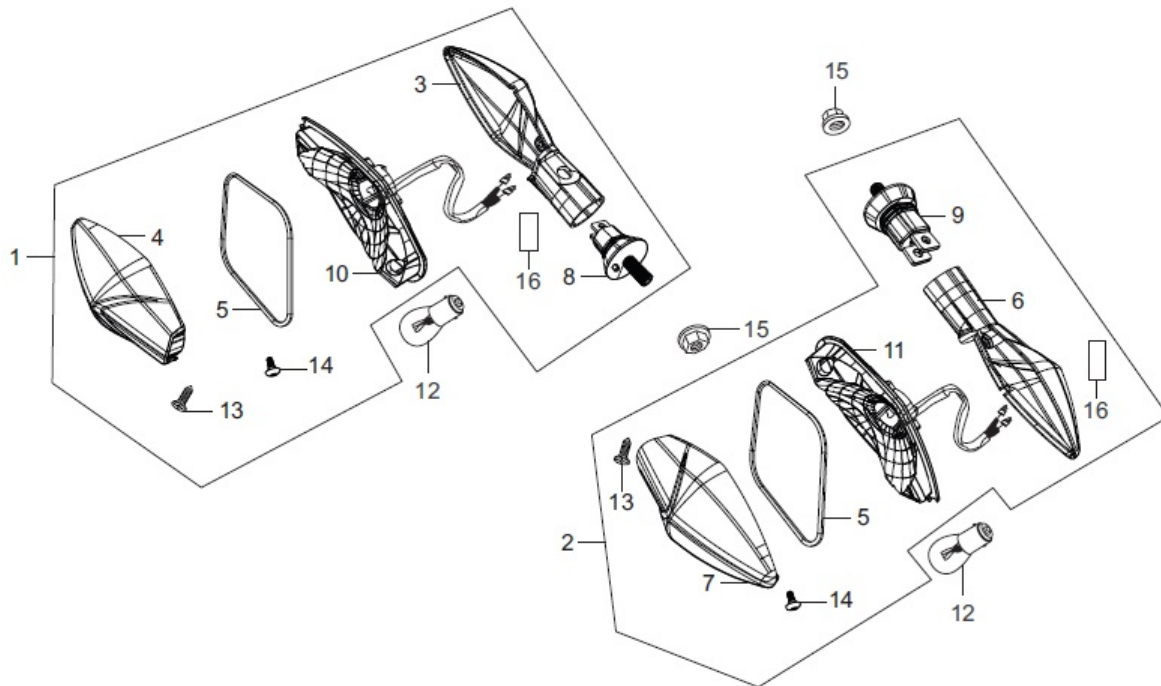
F-20 : REAR FENDER



Group Number: F-20 Model :: Hunk 200R (Aug, 2018)

Ref No.	Part Number	Description	Req.
1	3372B-AAB-C01	LIGHT ASSY LICENSE	1
2	33721-AAB-C01	SOCKET COMP	1
3	33722-AAG-00099	BASE COMP	1
4	33723-AAG-00099	COVER COMP	1
5	33729-MCZ-003	PACKING, LENS	1
6	33743-AAR-001	REFLEX REFLECTOR SIDE	1
7	34351-AAB-401	BULB (12VW5W) E MARK	1
8	50186-AAB-A00	RR FENDER STAY	1
9	80102-AAB-A00	COVER TOOL BOX	1
10	80120-AAB-A00	REAR FENDER A	1
11	80130-AAB-A00	REAR FENDER B	1
12	80150-AAB-A00	REAR FENDER C	1
13	83551-GE2-000	GROMMET, AIR CLENER CASE	4
14	90101-GE0-000	SCREW, HINGE PATCH	4
15	90111-187-000	BOLT, FLANGE. 6 MM	2
16	90311-MT3-000	NUT, CLIP, 6 MM	2
17	90320-GC3-000	NUT, SPRING, M5	4
18	93903-24380	SCREW TAPPING, 4 X 12	5
19	93903-25210	SCREW, TAPPING, 5X12	2
20	93903-34380	SCREW, TAPPING, 4X12	2
21	94050-05000	NUT FLANGE, 5 MM	2
22	95701-06016-00	BOLT, FLANGE, 6X16	4

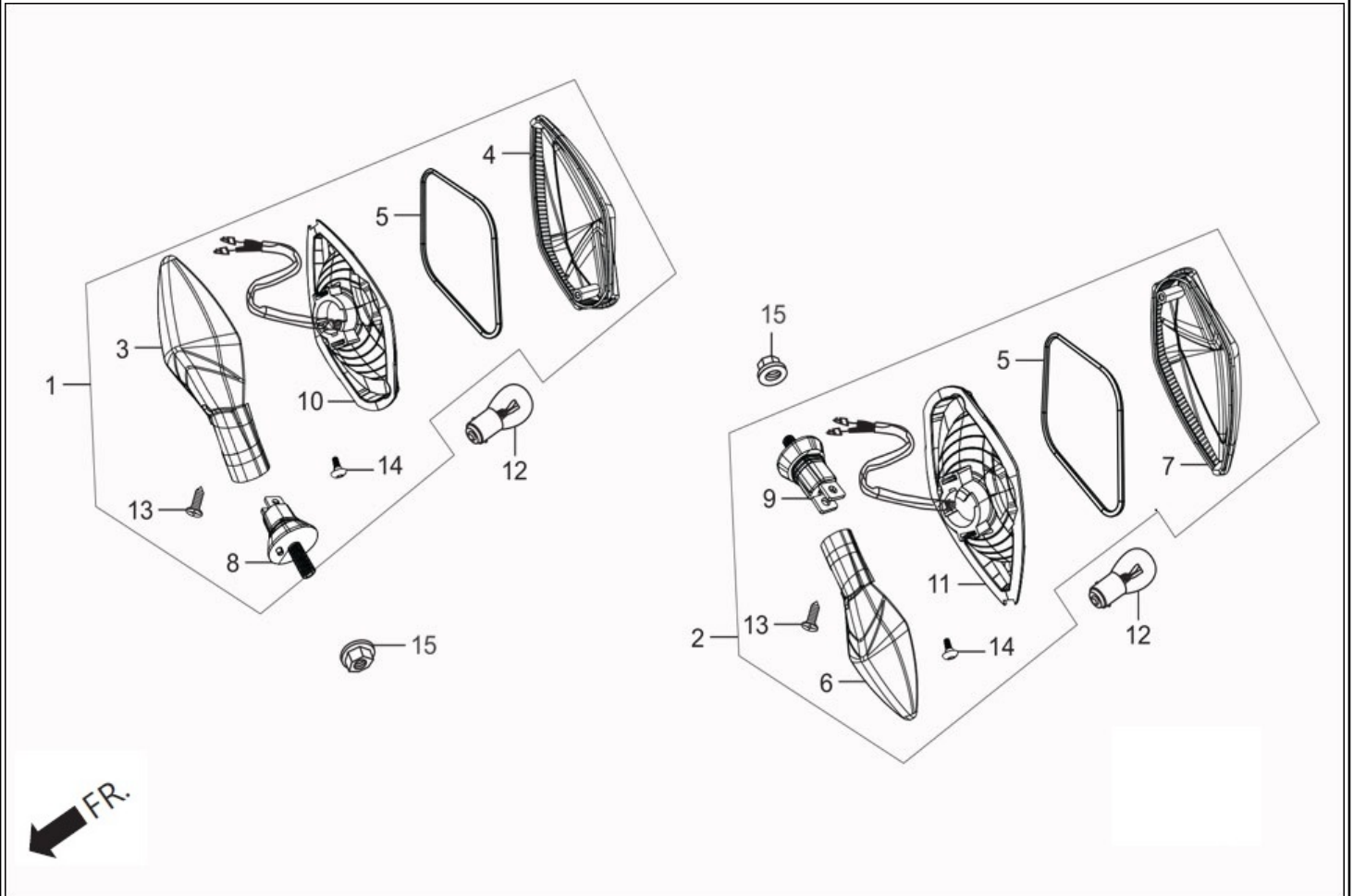
F-21 : FRONT WINKER



Group Number: F-21 Model :: Hunk 200R (Aug, 2018)

Ref No.	Part Number	Description	Req.
1	3340B-AAB-C01	WINKER ASSY R FR	1
2	3345B-AAB-C01	WINKER ASSY L FR	1
3	33401-AAR-001	HOUSING R	1
4	33402-AAS-001	LENS, RIGHT	1
5	33408-AAR-001	PACKING	2
6	33451-AAR-001	HOUSING L	1
7	33452-AAS-001	LENS, LEFT	1
8	33491-ABW-001	STAY COMP WINKER R	1
9	33496-ABW-001	STAY COMP WINKER L	1
10	33405-AAB-C01	REFLECTOR COMP. R	1
11	33455-AAB-C01	REFLECTOR COMP. L	1
12	34908-AAB-401	BULB (12V10W) AMBER E MARK	2
	34930-AAC-700	BULB(12V 10W) AMBER	2
	34930-AAC-700	BULB(12V 10W) AMBER	2
13	90380-AAR-001	SCREW SPECIAL	2
14	93901-AAR-001	ST. SCREW 3X10	2
15	94050-08000	NUT, FLANGE, 8MM	2
16	90124-AAB-A01	COLLAR WINKER	2

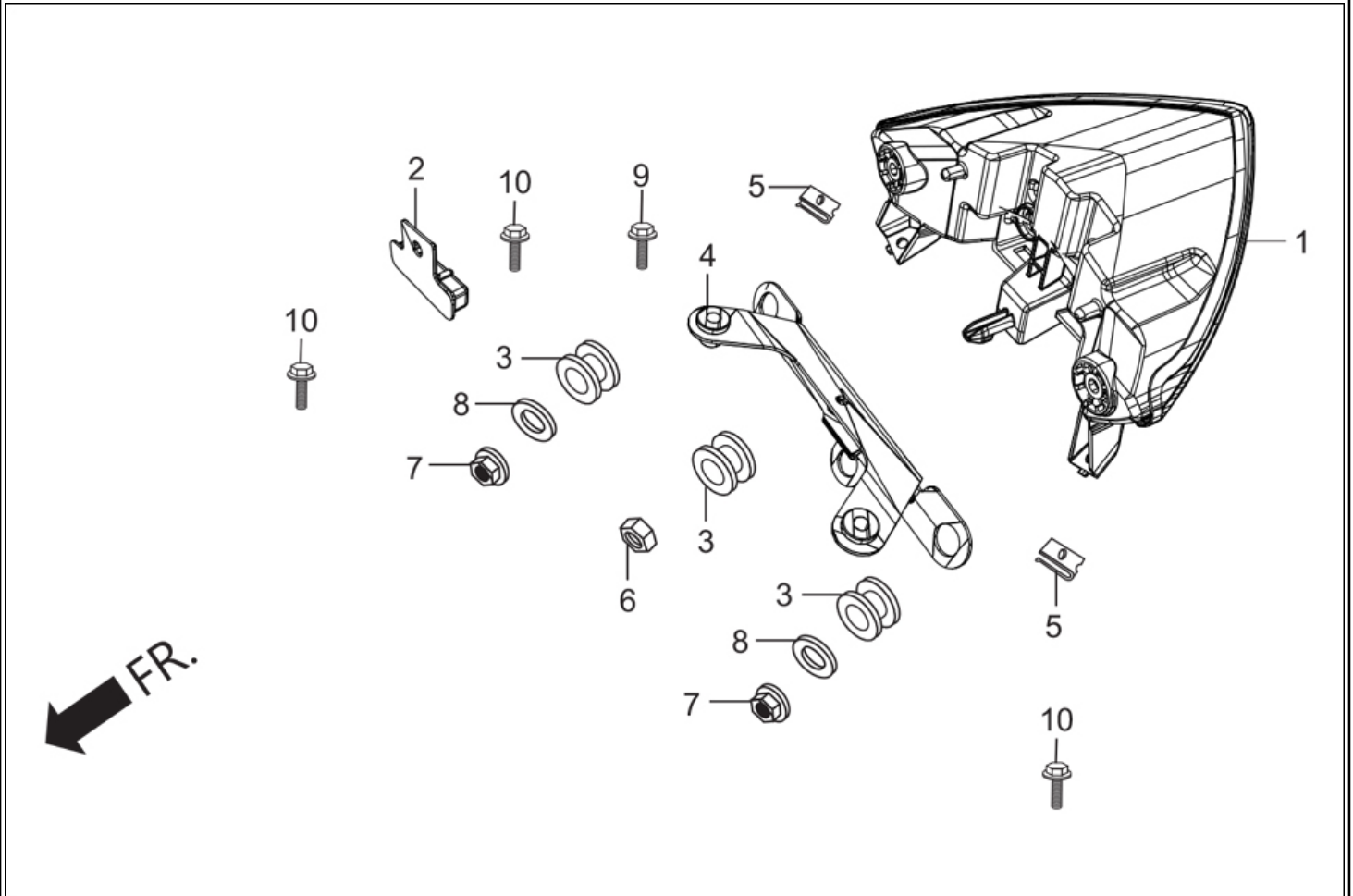
F-21A : REAR WINKER



Group Number: F-21A Model :: Hunk 200R (Aug, 2018)

Ref No.	Part Number	Description	Req.
1	3360B-AAB-C01	WINKER ASSY R RR	1
2	3365B-AAB-C01	WINKER ASSY L RR	1
3	33401-AAR-001	HOUSING R	1
4	33402-AAS-001	LENS, RIGHT	1
5	33408-AAR-001	PACKING	2
6	33451-AAR-001	HOUSING L	1
7	33452-AAS-001	LENS, LEFT	1
8	33491-ABW-001	STAY COMP WINKER R	1
9	33496-ABW-001	STAY COMP WINKER L	1
10	33605-AAB-C01	REFLECTOR COMP R	1
11	33655-AAB-C01	REFLECTOR COMP L	1
12	34908-AAB-401	BULB (12V10W) AMBER E MARK	2
	34930-AAC-700	BULB(12V 10W) AMBER	2
	34930-AAC-700	BULB(12V 10W) AMBER	2
13	90380-AAR-001	SCREW SPECIAL	2
14	93901-AAR-001	ST. SCREW 3X10	2
15	94050-08000	NUT, FLANGE, 8MM	2

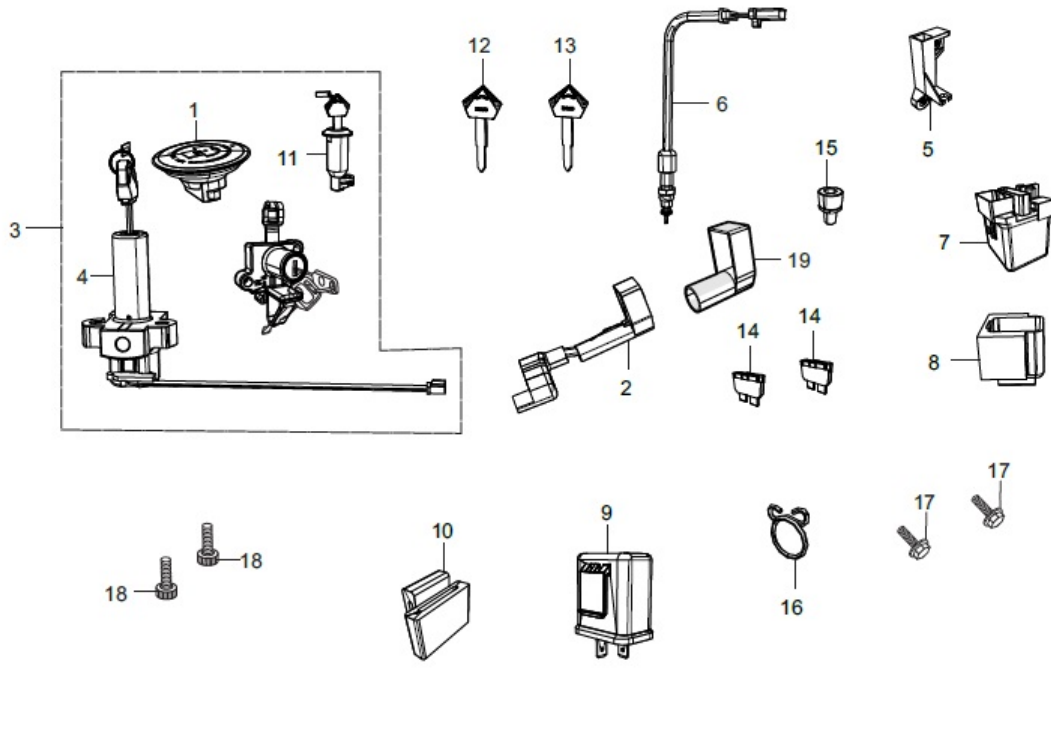
F-22 : TAIL LIGHT



Group Number: F-22 Model :: Hunk 200R (Aug, 2018)

Ref No.	Part Number	Description	Req.
1	33700-AAB-A01	UNIT TAIL LIGHT	1
2	35400-KRY-970	RESISTOR COMP.	1
3	77209-KAG-900	RUBBER, SEAT STAY MOUNT	3
4	77232-AAB-A00	BRKT TAIL LIGHT ASSY	1
5	90677-KAN-961	NUT CLIP 5MM	2
6	94001-05070-0S	NUT HEX. 5MM	1
7	94050-06000	NUT, FLANGE, 6 MM	2
8	94103-06000	WASHER PLAIN,6MM	2
9	95701-06012-00	BOLT, FLANGE, 6X12	1
10	95701-06025-08	BOLT FLANGE 6X25	2

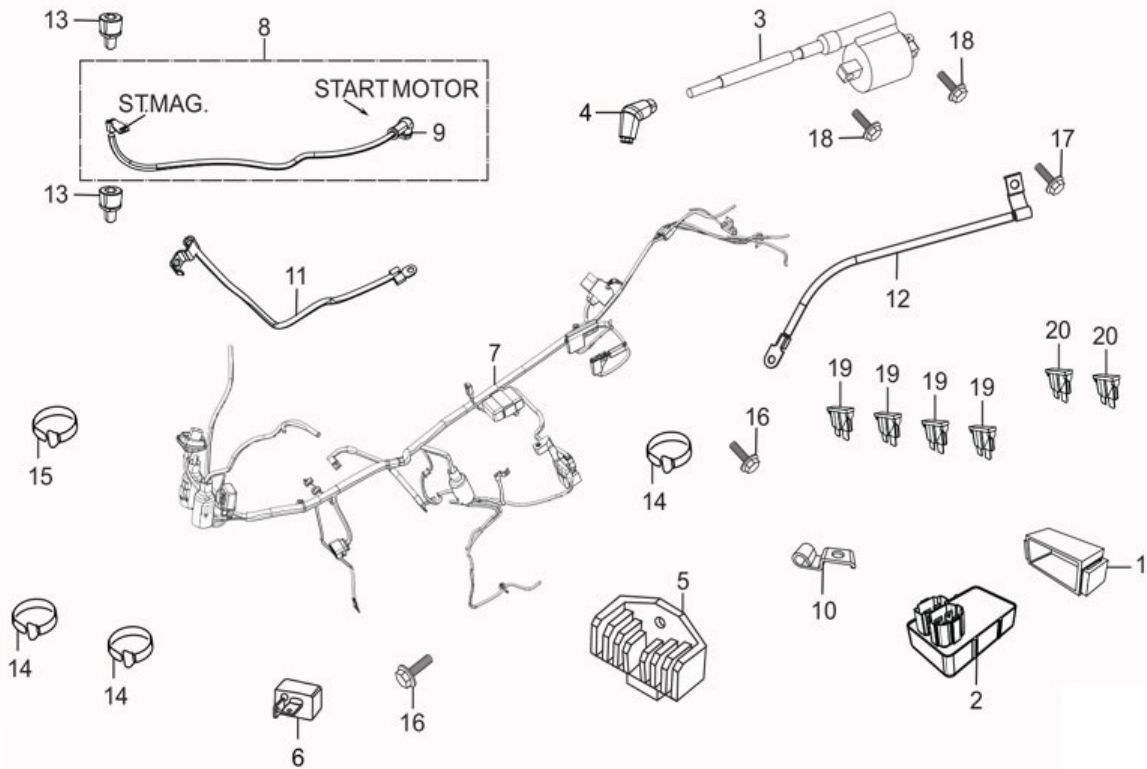
F-23 : SWITCH ASSY ./ RELAY / LOCK ASSY. / KEY BLANK



Group Number: F-23 Model :: Hunk 200R (Aug, 2018)

Ref No.	Part Number	Description	Req.
1	17620-AAB-H61	CAP COMP FUEL FILLER	1
2	32401-AAB-A00	CABLE ST MAG BATT	1
3	35010-AAB-A01	KEY SET	1
4	35100-AAB-A01	SW ASSY COMB & LOCK	1
5	35140-AAB-102	SIDE STAND SWITCH	1
6	35350-KVE-930A	SWITCH ASSY, REAR STOP	1
7	35850-AAM-H01	SW ASSY. START MAG	1
8	35856-AAB-A00	RUBBER SHOCK	1
9	38301-AAJ-102	RELAY COMP. WINKER	1
10	38306-GE7-000	SUSPENSION, WINKER RELAY	1
11	77239-AAB-H61	KEY SEAT LOCK	1
12	35121-AAB-A01	KEY BLANK NO 1	1
13	35122-AAB-A01	KEY BLANK NO 2	1
14	98200-32000	BLADE, FUSE, 20A	2
15	90111-MR5-000	BOLT, SOCKET, 5X9	1
16	90601-KAF-003	CLIP, SW. COVER	1
17	95701-05016-00	BOLT FLANGE 5X16	2
18	96600-08025-00	SOCKET, BOLT, 8 X 25	2
19	32414-KVN-970	COVER,BAT TERMINAL	1

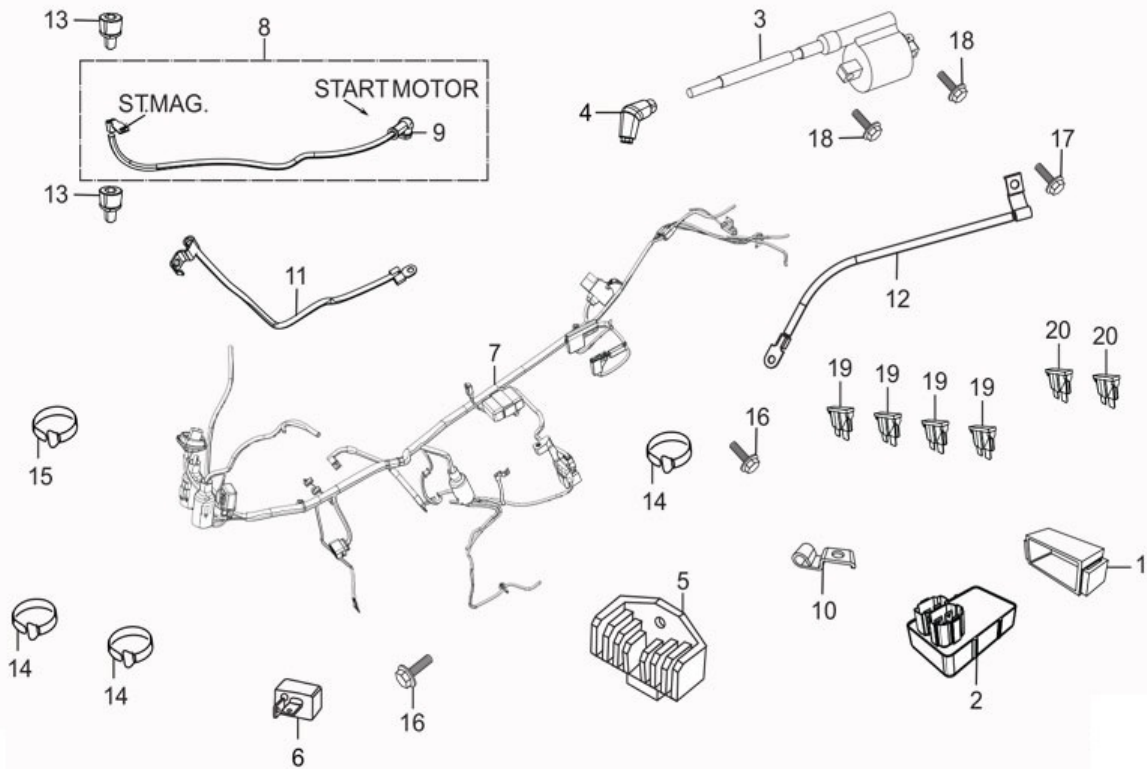
F-24-ABS : ELECTRICALS (WIRE HARNESS/START CABLES)



Group Number: F-24-ABS Model :: Hunk 200R (Aug, 2018)

Ref No.	Part Number	Description	Req.
1	30401-AAB-A01	CUSHION CDI UNIT	1
2	30410-AAB-A01	UNIT COMP DIGITAL DC CDI	1
3	30500-AAB-H61	COIL ASSY IGN	1
4	30700-KWA-831	CAP ASSY,NOISE SUPPRESSOR	1
5	31600-KWS-901	REG RECT COMP	1
6	31700-124-000	RECTIFIER ASSY., SILICON	1
7	32100-AAB-A00	HARNESS WIRE	1
8	32410-AAB-A00	CABLE START MOTOR	1
9	32411-253-000	COVER, STARTING MOTOR	1
10	32413-KRY-970	TERMINAL, BAT CABLE	1
11	32601-AAB-A00	CABLE BAT EARTH	1
12	32602-AAB-A00	CABLE ENG EARTH	1
13	90111-MR5-000	BOLT, SOCKET, 5X9	2
14	91540-AAN-410	CLIP, BAND HARN	3
15	91551-AAB-100	BAND, CLAMP	1
16	95701-06014-18	BOLT, FLANGE, 6 X 14	1
17	96001-06016-00	BOLT, FLANGE SH. 6 X 16	1
18	96001-06020-00	BOLT, FLANGE, SH. 6 X 20	2
19	98200-31000	BLADE, FUSE 10A	4
20	98200-31500	BLADE, FUSE, 15A	2

F-24-WO-ABS : ELECTRICALS (WIRE HARNESS/START CABLES)

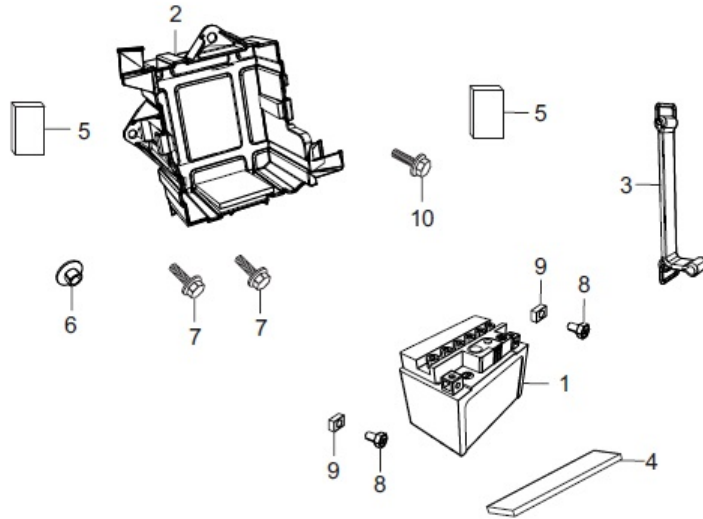


Group Number: F-24-WO-ABS Model :: Hunk 200R (Aug, 2018)

Ref No.	Part Number	Description	Req.
1	30401-AAB-A01	CUSHION CDI UNIT	1
2	30410-AAB-A01	UNIT COMP DIGITAL DC CDI	1
3	30500-AAB-H61	COIL ASSY IGN	1
4	30700-KWA-831	CAP ASSY, NOISE SUPPRESSOR	1
5	31600-KWS-901	REG RECT COMP	1
6	31700-124-000	RECTIFIER ASSY., SILICON	1
7	32100-AAB-A20	HARNESS WIRE	1
8	32410-AAB-A00	CABLE START MOTOR	1
9	32411-253-000	COVER, STARTING MOTOR	1
10	32413-KRY-970	TERMINAL, BAT CABLE	1
11	32601-AAB-A00	CABLE BAT EARTH	1
12	32602-AAB-A00	CABLE ENG EARTH	1
13	90111-MR5-000	BOLT, SOCKET, 5X9	2
14	91540-AAN-410	CLIP, BAND HARN	3
15	91551-AAB-100	BAND, CLAMP	1
16	95701-06014-18	BOLT, FLANGE, 6 X 14	1
17	96001-06016-00	BOLT, FLANGE SH. 6 X 16	1
18	96001-06020-00	BOLT, FLANGE, SH. 6 X 20	2
19	98200-31000	BLADE, FUSE 10A	4
20	98200-31500	BLADE, FUSE, 15A	2

F-24B : BATTERY ASSY.

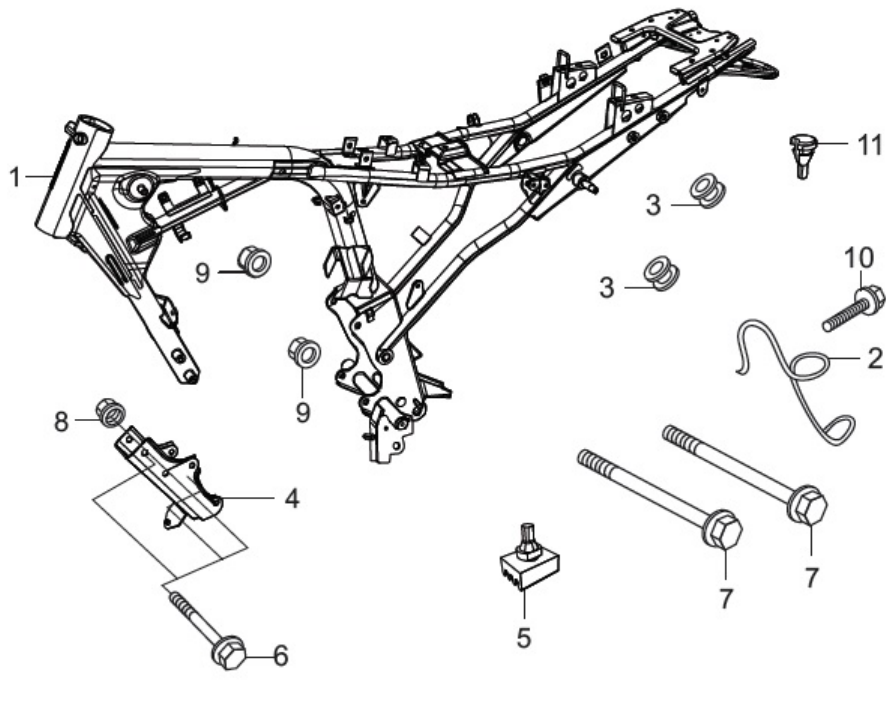
FR. 



Group Number: F-24B Model :: Hunk 200R (Aug, 2018)

Ref No.	Part Number	Description	Req.
1	31500-KRP-801	BATTERY ASSY	1
2	1723A-AAB-A00	BOX BATTERY ASSY	1
3	50327-AAB-A00	BAND BATTERY	1
4	83403-AAB-A000-20	CUSHION BATTERY 1	1
5	83403-AAB-A000-21	CUSHION BATTERY 2	2
6	61107-KK6-000	WASHER, 6MM	1
7	90111-187-000	BOLT, FLANGE. 6 MM	2
8	90122-KVT-941	BOLT BATTERY TERMINAL	2
9	90306-KVT-941	NUT BATTERY TERMINAL	2
10	95701-06018-00	BOLT FLANGE 6X18	1

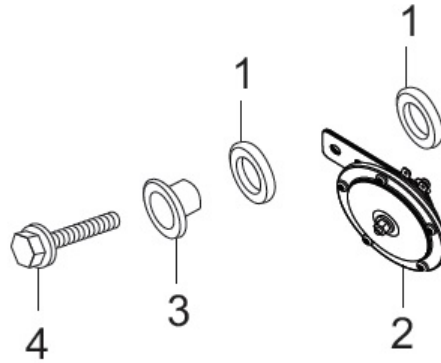
F-25 : FRAME BODY



Group Number: F-25 Model :: Hunk 200R (Aug, 2018)

Ref No.	Part Number	Description	Req.
1	50100-AAB-A00	FRAME BODY COMP	1
2	50296-KVE-900	GUIDE DRAIN HOSE	1
3	50328-KVN-900	RUBBER, TANK MTG.	2
4	5035A-AAB-A00	PLATE FR ENG HANGER ASSY	1
5	50505-KCC-900	STOPPER RUBBER, A STAND	1
6	95801-08085-00	BOLT, FLANGE, 8X85	3
7	90019-399-010	BOLT, FLANGE, 10 X 110	2
8	94050-08000	NUT, FLANGE, 8MM	3
9	94050-10000	NUT, FLANGE, 10MM	2
10	95701-06012-07	BOLT, FLANGE, 6X12	1
11	50137-AAR-000	PLUG CABLE RETENTION	1

F-25A : HORN ASSY.

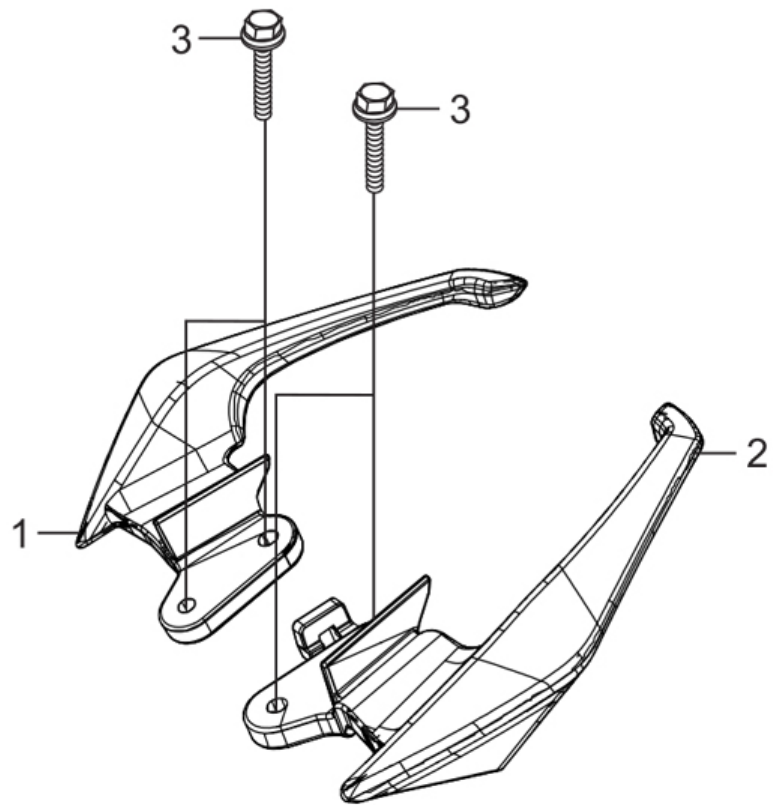


FR. ←

Group Number: F-25A **Model ::** Hunk 200R (Aug, 2018)

Ref No.	Part Number	Description	Req.
1	33714-KL3-620	RUBBER, TAIL LIGHT	2
2	38110-AAB-401	HORN COMP	1
3	38117-KFE-701	COLLAR, HORN SET	1
4	95701-06020-07	BOLT, FLANGE, 6 X 20	1

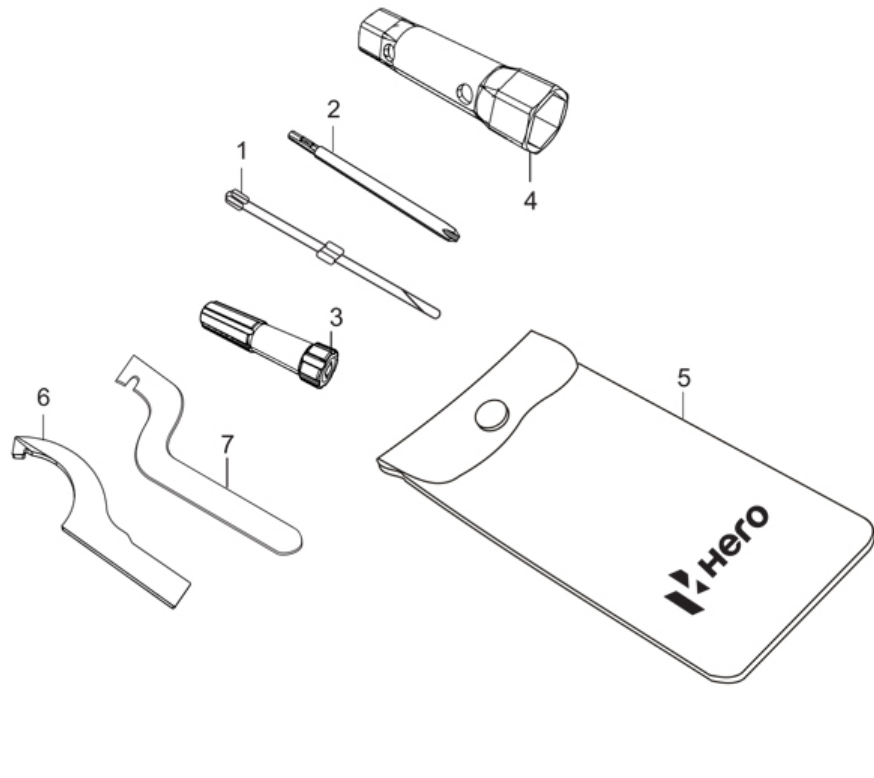
F-25B : GRIP REAR



Group Number: F-25B Model :: Hunk 200R (Aug, 2018)

Ref No.	Part Number	Description	Req.
1	50400-AAB-A000	GRIP R REAR	1
2	50450-AAB-A000	GRIP L REAR	1
3	95701-08025-07	BOLT FLANGE 8X25	4

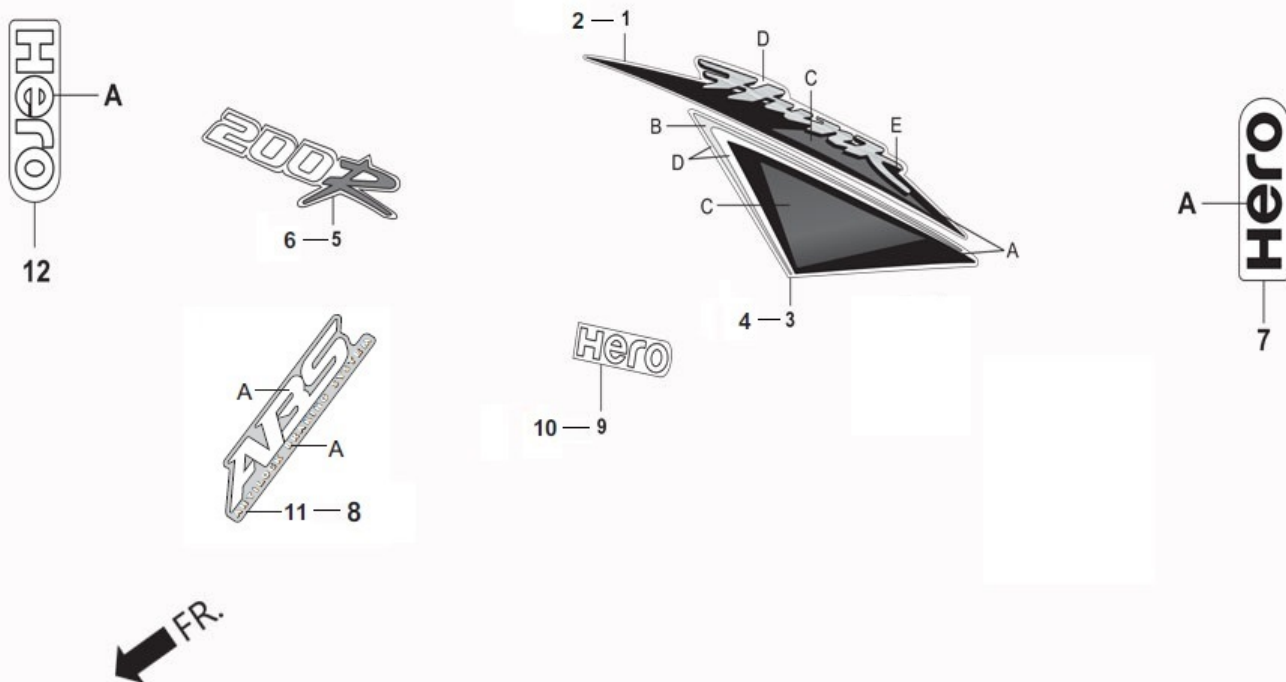
F-26 : TOOLS



Group Number: F-26 Model :: Hunk 200R (Aug, 2018)

Ref No.	Part Number	Description	Req.
1	89102-538-000	SCREW, DRIVER PLUS/MINUS	1
2	89102-AAC-000	NO.3 CROSS POINT SCREW DRIVER	1
3	89103-538-000	GRIP, SCREW DRIVER	1
4	89215-AAC-000	BOX WRENCH P16X14	1
5	89216-AAD-H00	TOOL BAG	1
6	99006-AAB-A00	HANDLE PIN SPANNER	1
7	99007-AAB-A00	PIN SPANNER	1

F-27-ABS : STRIPE/ MARKS



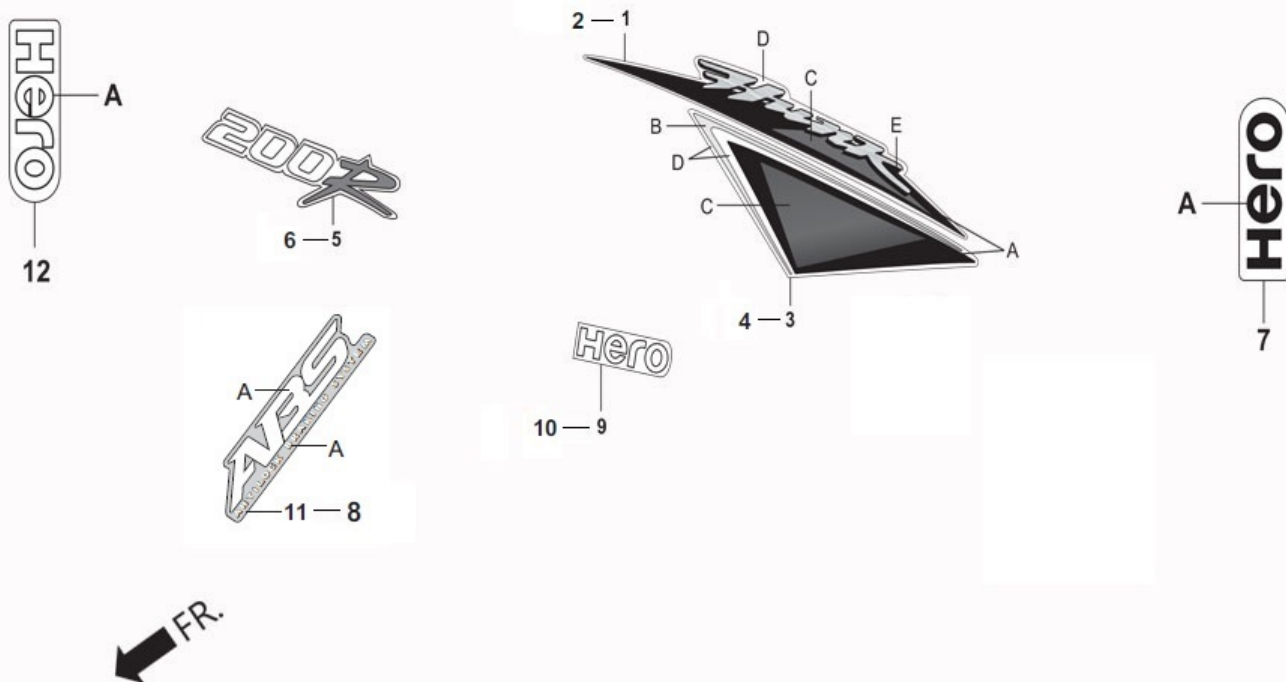
Group Number: F-27-ABS Model :: Hunk 200R (Aug, 2018)

Ref No.	Part Number	Description	Req.
1	86273-ABF-100R	STRIPE A, R SHROUD (TYPE-1)	1
	86273-ABF-100S	STRIPE A, R SHROUD (TYPE-2)	1
	86273-AAB-C00R	STRIPE A, R SHROUD (TYPE-1)	1
	86273-ABF-100U	STRIPE A, R SHROUD (TYPE-3)	1

SPECIFIED COLOUR CHART FOR, STRIPE A, R SHROUD

SPECIFIED COLOUR TYPE	A	B	C	D	E	MAIN BODY COLOUR
1	NH-1 BLACK	ROSS WHITE	SPORTS RED	SPORTS RED	NH-1 BLACK	SPORTS RED (R-321)
2	SPORTS RED	ROSS WHITE	NH-1 BLACK	NH-1 BLACK	HEAVY GREY ME.	BLACK (NH-1)
1	CSPL 0087	SPORTS RED	MAT AXIS GREY ME. (GLOSSY)	MAT AXIS GREY ME.	NH-1 BLACK	MAT AXIS GRAY ME. (NH-303M)
3	NH-1 BLACK	ROSS WHITE	TECHNO BLUE ME.	TECHNO BLUE ME.	NH-1 BLACK	TECHNO BLUE ME. (BL-002M)

F-27-ABS : STRIPE/ MARKS



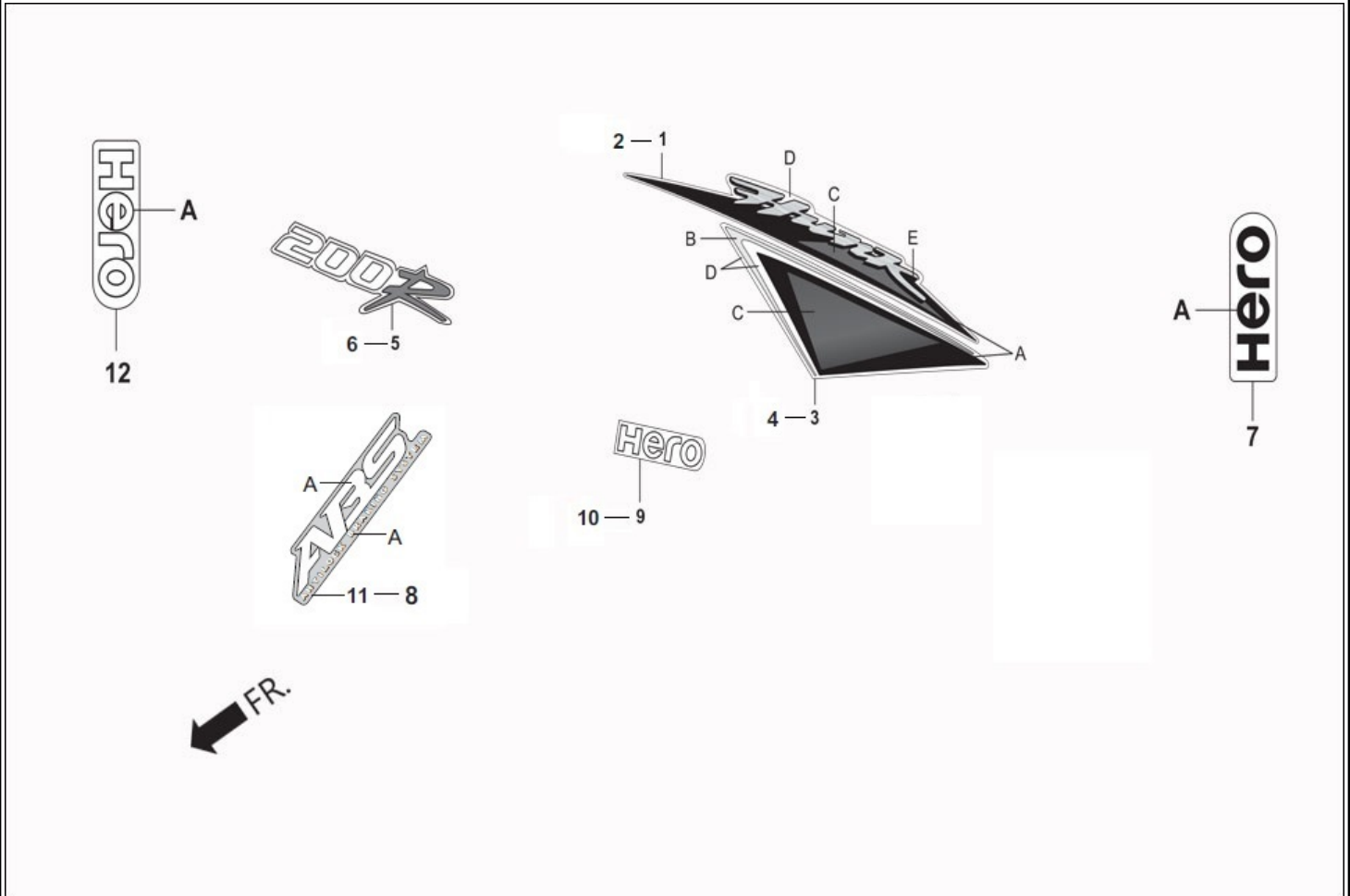
Group Number: F-27-ABS Model :: Hunk 200R (Aug, 2018)

Ref No.	Part Number	Description	Req.
2	86274-ABF-100R	STRIPE A, L SHROUD (TYPE-1)	1
	86274-ABF-100S	STRIPE A, L SHROUD (TYPE-2)	1
	86274-AAB-C00R	STRIPE A, L SHROUD (TYPE-1)	1
	86274-ABF-100U	STRIPE A, L SHROUD (TYPE-3)	1

SPECIFIED COLOUR CHART FOR, STRIPE A, L SHROUD

SPECIFIED COLOUR TYPE	A	B	C	D	E	MAIN BODY COLOUR
1	NH-1 BLACK	ROSS WHITE	SPORTS RED	SPORTS RED	NH-1 BLACK	SPORTS RED (R-321)
2	SPORTS RED	ROSS WHITE	NH-1 BLACK	NH-1 BLACK	HEAVY GREY ME.	BLACK (NH-1)
1	CSPL 0087	SPORTS RED	MAT AXIS GREY ME. (GLOSSY)	MAT AXIS GREY ME.	NH-1 BLACK	MAT AXIS GRAY ME. (NH-303M)
3	NH-1 BLACK	ROSS WHITE	TECHNO BLUE ME.	TECHNO BLUE ME.	NH-1 BLACK	TECHNO BLUE ME. (BL-002M)

F-27-ABS : STRIPE/ MARKS



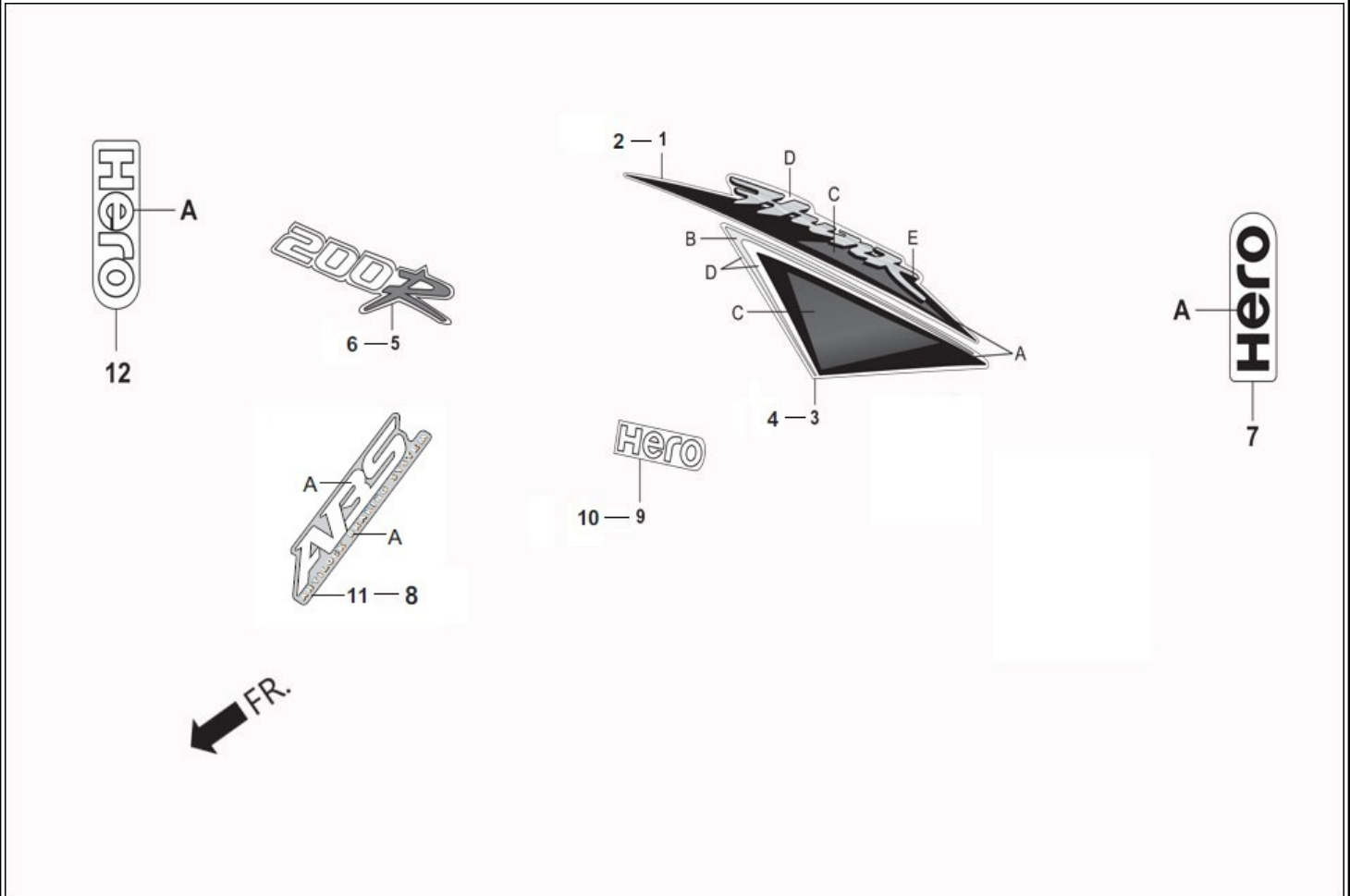
Group Number: F-27-ABS Model :: Hunk 200R (Aug, 2018)

Ref No.	Part Number	Description	Req.
3	86275-ABF-100R	STRIPE B, R SHROUD (TYPE-1)	1
	86275-ABF-100S	STRIPE B, R SHROUD (TYPE-2)	1
	86275-AAB-C00R	STRIPE B, R SHROUD (TYPE-1)	1
	86275-ABF-100U	STRIPE B, R SHROUD (TYPE-3)	1

SPECIFIED COLOUR CHART FOR, STRIPE B, R SHROUD

SPECIFIED COLOUR TYPE	A	B	C	D	E	MAIN BODY COLOUR
1	NH-1 BLACK	ROSS WHITE	SPORTS RED	SPORTS RED	NH-1 BLACK	SPORTS RED (R-321)
2	SPORTS RED	ROSS WHITE	NH-1 BLACK	NH-1 BLACK	HEAVY GREY ME.	BLACK (NH-1)
1	CSPL 0087	SPORTS RED	MAT AXIS GREY ME. (GLOSSY)	MAT AXIS GREY ME.	NH-1 BLACK	MAT AXIS GRAY ME. (NH-303M)
3	NH-1 BLACK	ROSS WHITE	TECHNO BLUE ME.	TECHNO BLUE ME.	NH-1 BLACK	TECHNO BLUE ME. (BL-002M)

F-27-ABS : STRIPE/ MARKS



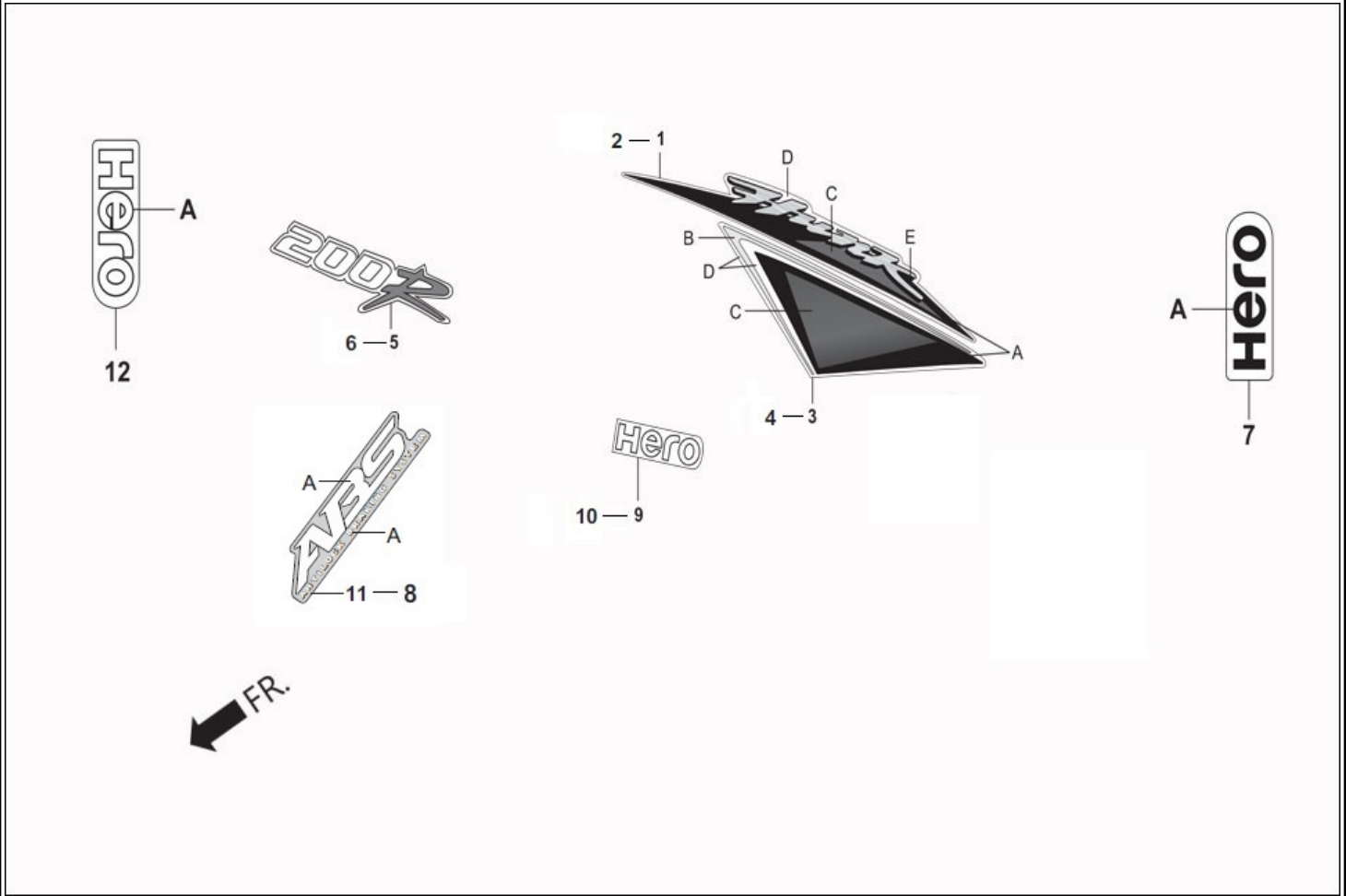
Group Number: F-27-ABS Model :: Hunk 200R (Aug, 2018)

Ref No.	Part Number	Description	Req.
4	86276-ABF-100R	STRIPE B, L SHROUD (TYPE-1)	1
	86276-ABF-100S	STRIPE B, L SHROUD (TYPE-2)	1
	86276-AAB-C00R	STRIPE B, L SHROUD (TYPE-1)	1
	86276-ABF-100U	STRIPE B, L SHROUD (TYPE-3)	1

SPECIFIED COLOUR CHART FOR, STRIPE B, L SHROUD

SPECIFIED COLOUR TYPE	A	B	C	D	E	MAIN BODY COLOUR
1	NH-1 BLACK	ROSS WHITE	SPORTS RED	SPORTS RED	NH-1 BLACK	SPORTS RED (R-321)
2	SPORTS RED	ROSS WHITE	NH-1 BLACK	NH-1 BLACK	HEAVY GREY ME.	BLACK (NH-1)
1	CSPL 0087	SPORTS RED	MAT AXIS GREY ME. (GLOSSY)	MAT AXIS GREY ME.	NH-1 BLACK	MAT AXIS GRAY ME. (NH-303M)
3	NH-1 BLACK	ROSS WHITE	TECHNO BLUE ME.	TECHNO BLUE ME.	NH-1 BLACK	TECHNO BLUE ME. (BL-002M)

F-27-ABS : STRIPE/ MARKS



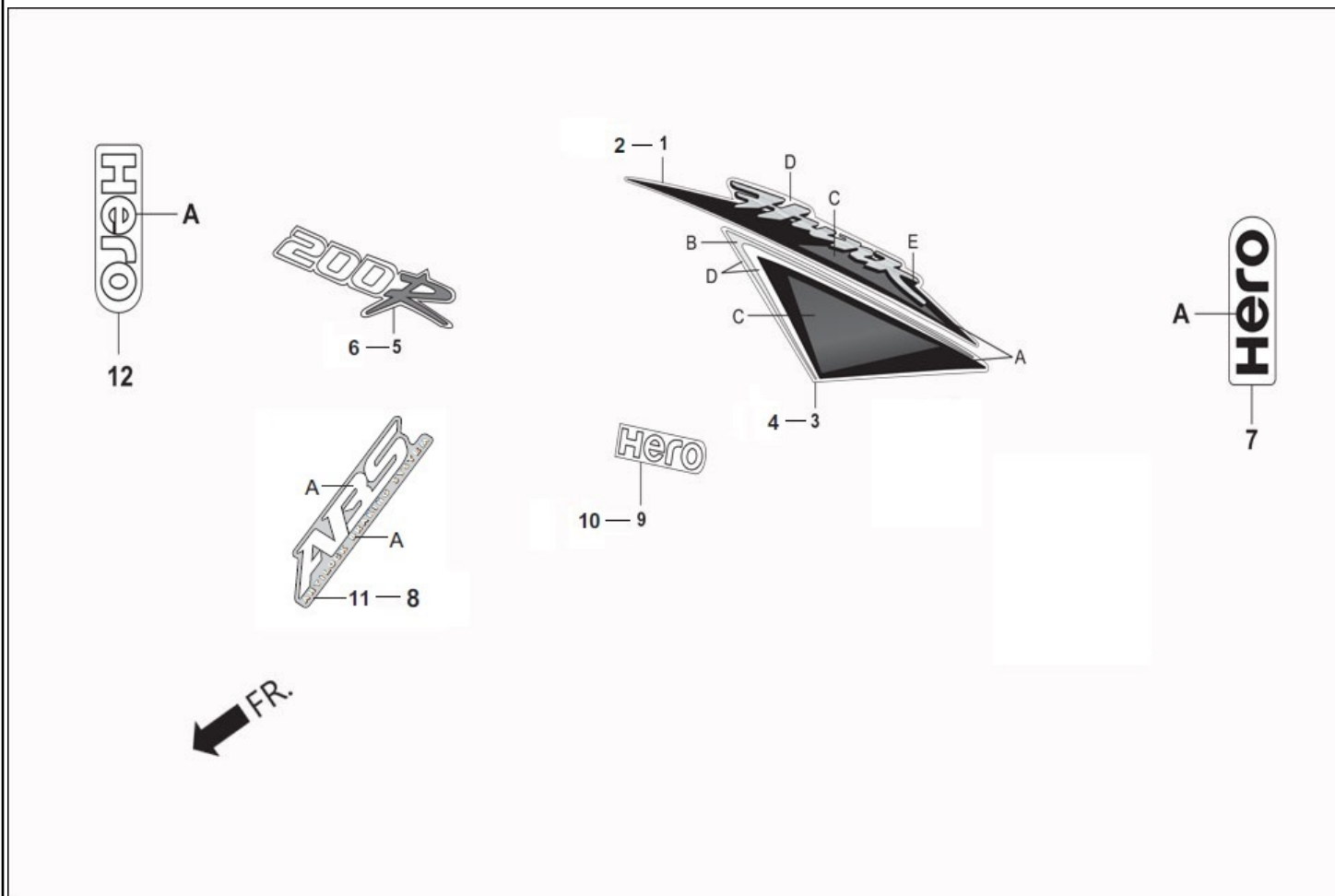
Group Number: F-27-ABS Model :: Hunk 200R (Aug, 2018)

Ref No.	Part Number	Description	Req.
5	86281-ABF-100R	STRIPE COWL R REAR (TYPE-1)	1
6	86282-ABF-100R	STRIPE COWL L REAR (TYPE-1)	1
7	86776-ABF-100R	MARK HERO FR FENDER (TYPE-1)	1
	86776-ABF-100S	MARK HERO FR FENDER (TYPE-2)	1
	86776-AAB-A00S	MARK HERO FR FENDER TY-2	1

SPECIFIED COLOUR CHART FOR, MARK HERO FR FENDER

SPECIFIED COLOUR TYPE	A	MAIN BODY COLOUR
2	TRANSPARENT (MATTE)	SPORTS RED (R-321)
1	NH-1 BLACK	BLACK (NH-1)
2	TRANSPARENT (MATTE)	MAT AXIS GRAY ME. (NH-303M)
2	TRANSPARENT (MATTE)	TECHNO BLUE ME. (BL-002M)

F-27-ABS : STRIPE/ MARKS



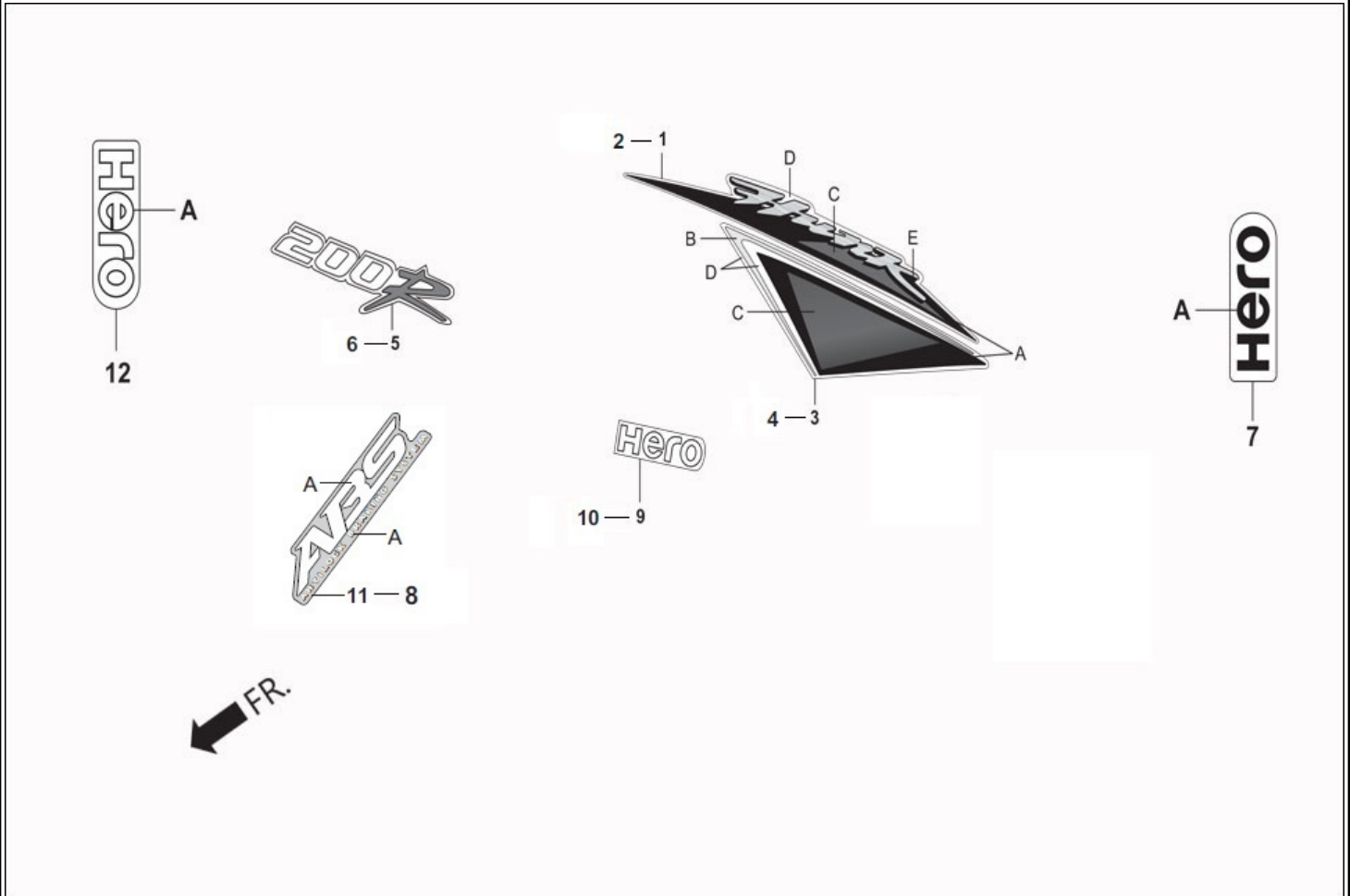
Group Number: F-27-ABS Model :: Hunk 200R (Aug, 2018)

Ref No.	Part Number	Description	Req.
8	86780-AAB-A00S	MARK ABS FR FENDER RH TY-2	1
	86780-ABF-100R	MARK ABS FR. FENDER RH. (TYPE-1)	1
	86780-ABF-100S	MARK ABS FR. FENDER RH. (TYPE-2)	1

SPECIFIED COLOUR CHART FOR, MARK ABS FR FENDER RH

SPECIFIED COLOUR TYPE	A	MAIN BODY COLOUR
2	TRANSPARENT (MATTE)	SPORTS RED (R-321)
1	NH-1 BLACK	BLACK (NH-1)
1	NH-1 BLACK	MAT AXIS GRAY ME. (NH-303M)
2	TRANSPARENT (MATTE)	TECHNO BLUE ME. (BL-002M)

F-27-ABS : STRIPE/ MARKS



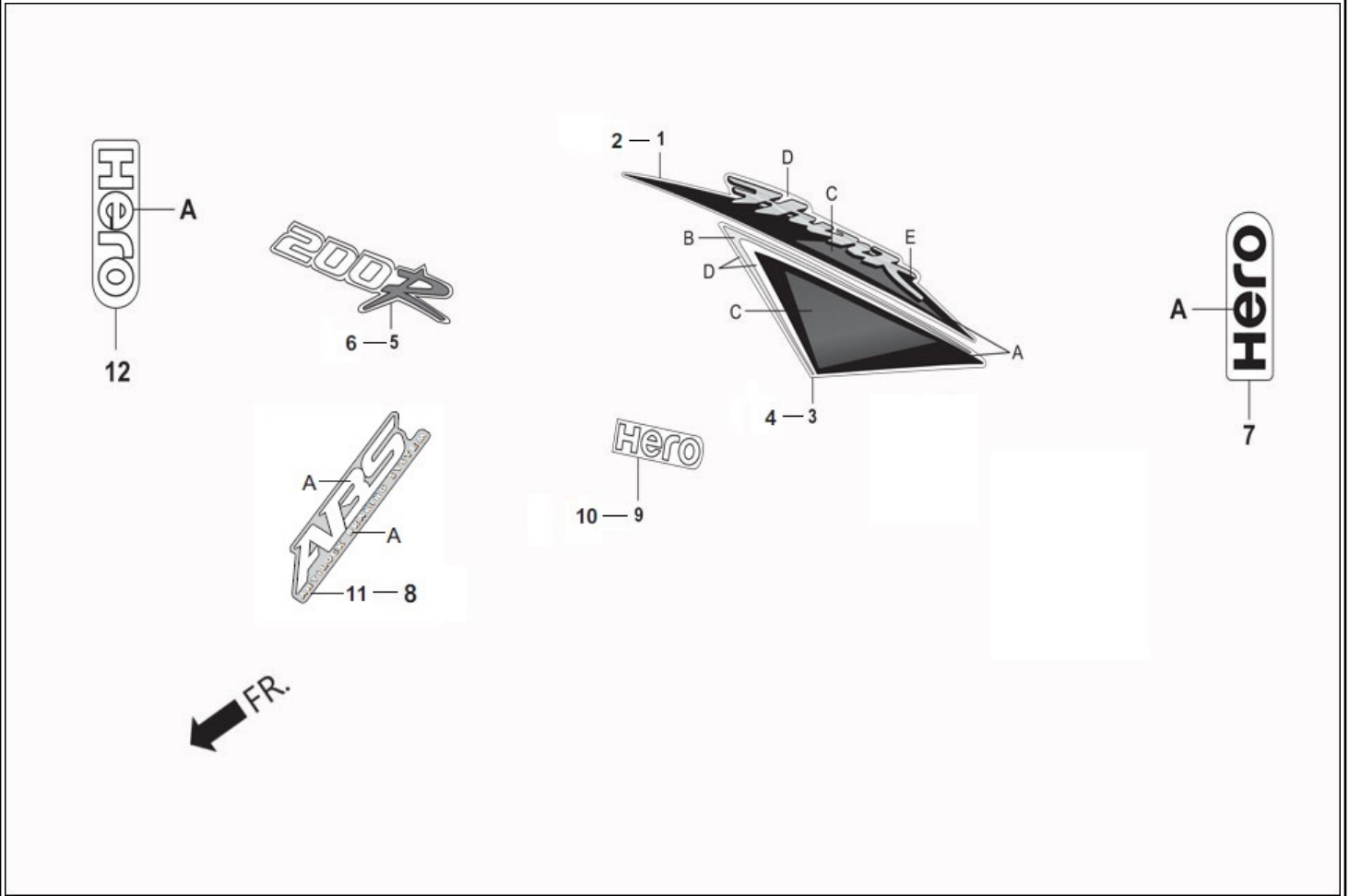
Group Number: F-27-ABS Model :: Hunk 200R (Aug, 2018)

Ref No.	Part Number	Description	Req.
9	86855-AAB-A000	MARK HERO COVER A R SIDE	1
10	86856-AAB-A000	MARK HERO COVER A L SIDE	1
11	86880-AAB-A00S	MARK ABS FR FENDER LH TY-2	1
	86880-ABF-100R	MARK ABS FR. FENDER LH. (TYPE-1)	1
	86880-ABF-100S	MARK ABS FR. FENDER LH. (TYPE-2)	1

SPECIFIED COLOUR CHART FOR, MARK ABS FR FENDER LH

SPECIFIED COLOUR TYPE	A	MAIN BODY COLOUR
2	TRANSPARENT (MATTE)	SPORTS RED (R-321)
1	NH-1 BLACK	BLACK (NH-1)
1	NH-1 BLACK	MAT AXIS GRAY ME. (NH-303M)
2	TRANSPARENT (MATTE)	TECHNO BLUE ME. (BL-002M)

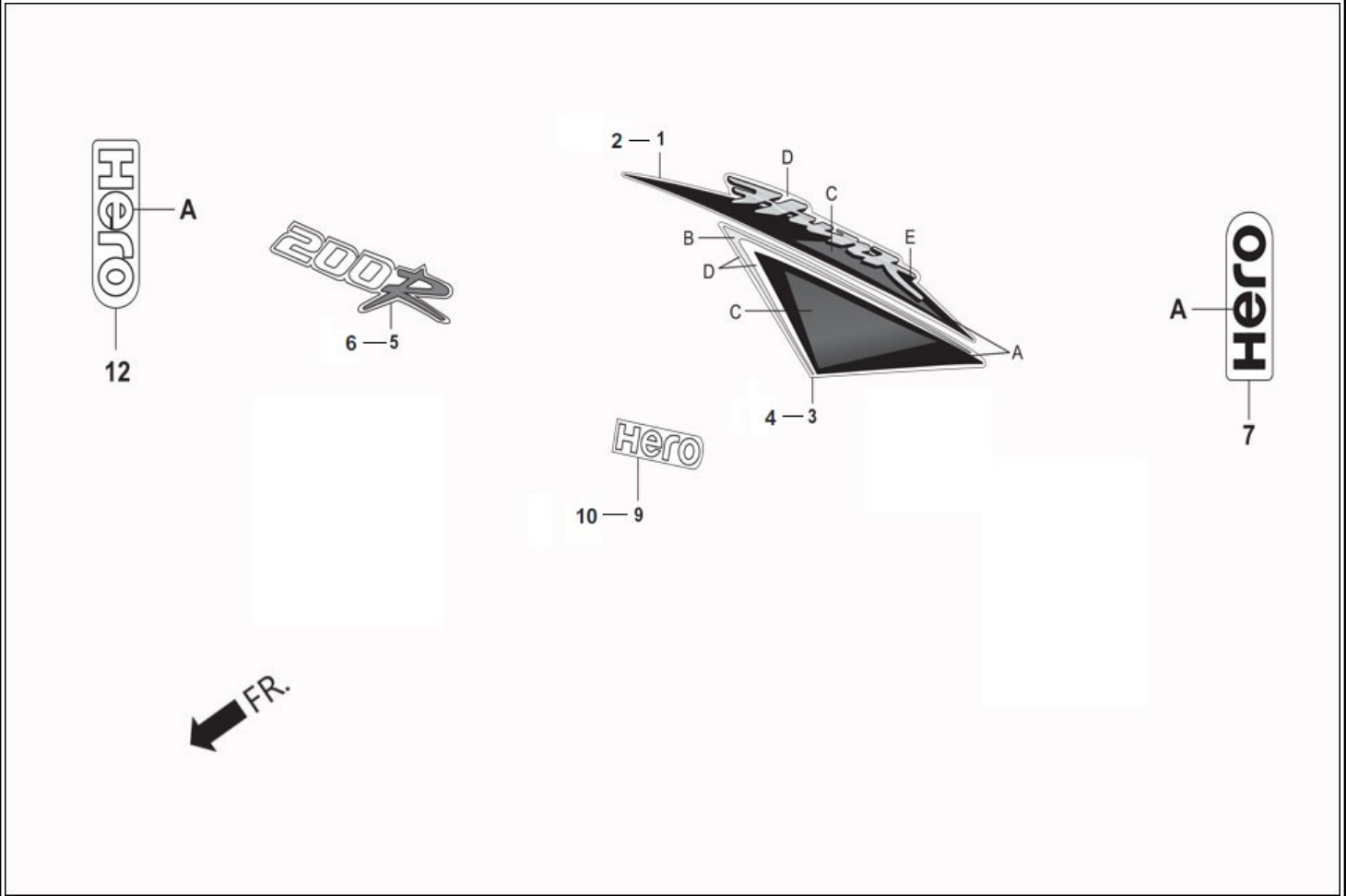
F-27-ABS : STRIPE/ MARKS



Group Number: F-27-ABS Model :: Hunk 200R (Aug, 2018)

Ref No.	Part Number	Description	Req.
12	87277-AAB-A000	MARK HERO COWL CENTER REAR	1

F-27-WO-ABS : STRIPE/ MARKS



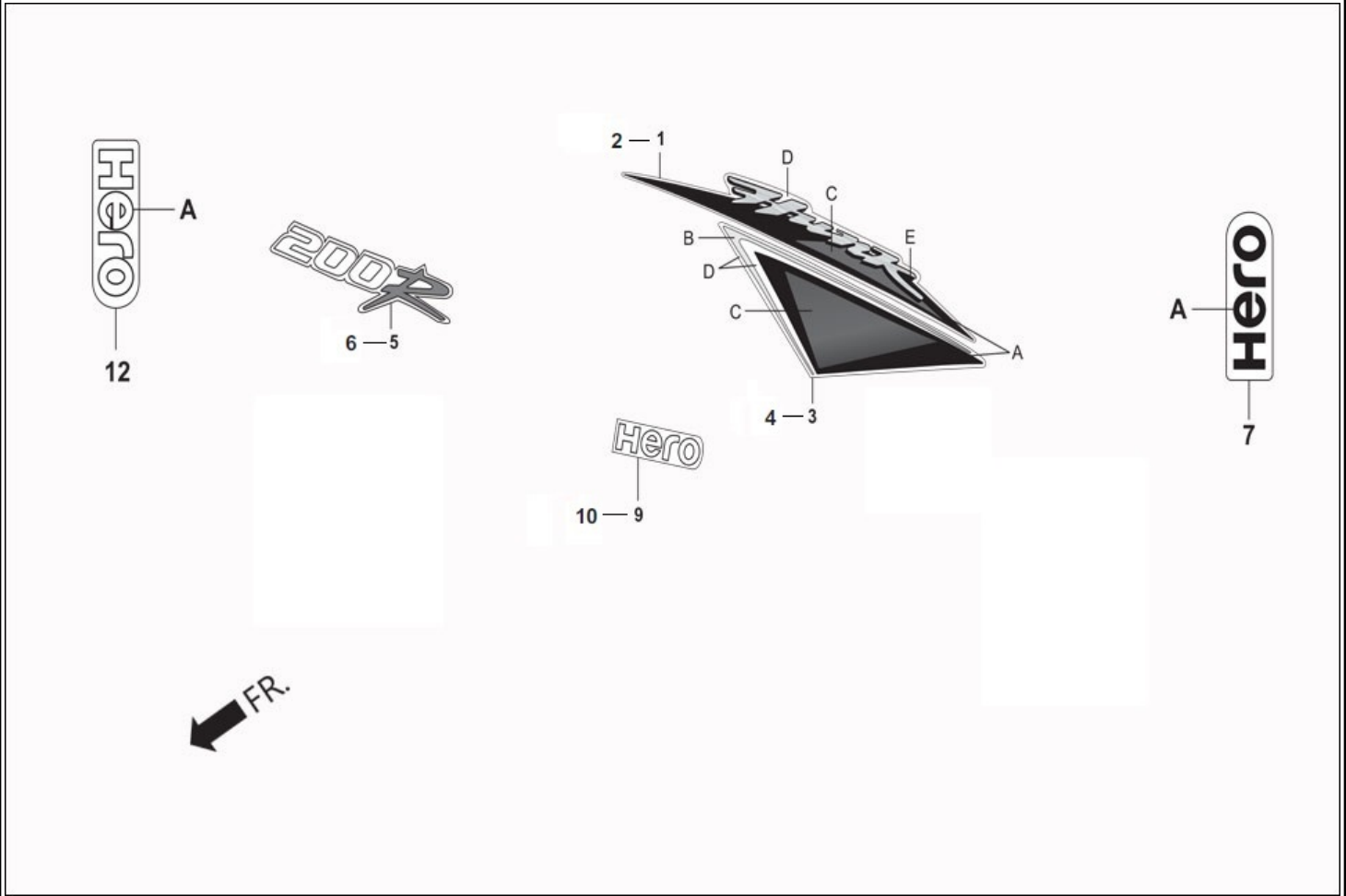
Group Number: F-27-WO-ABS Model :: Hunk 200R (Aug, 2018)

Ref No.	Part Number	Description	Req.
1	86273-ABF-100R	STRIPE A, R SHROUD (TYPE-1)	1
	86273-ABF-100S	STRIPE A, R SHROUD (TYPE-2)	1
	86273-AAB-C00R	STRIPE A, R SHROUD (TYPE-1)	1
	86273-ABF-100U	STRIPE A, R SHROUD (TYPE-3)	1

SPECIFIED COLOUR CHART FOR, STRIPE A, R SHROUD

SPECIFIED COLOUR TYPE	A	B	C	D	E	MAIN BODY COLOUR
1	NH-1 BLACK	ROSS WHITE	SPORTS RED	SPORTS RED	NH-1 BLACK	SPORTS RED (R-321)
2	SPORTS RED	ROSS WHITE	NH-1 BLACK	NH-1 BLACK	HEAVY GREY ME.	BLACK (NH-1)
1	CSPL 0087	SPORTS RED	MAT AXIS GREY ME. (GLOSSY)	MAT AXIS GREY ME.	NH-1 BLACK	MAT AXIS GRAY ME. (NH-303M)
3	NH-1 BLACK	ROSS WHITE	TECHNO BLUE ME.	TECHNO BLUE ME.	NH-1 BLACK	TECHNO BLUE ME. (BL-002M)

F-27-WO-ABS : STRIPE/ MARKS



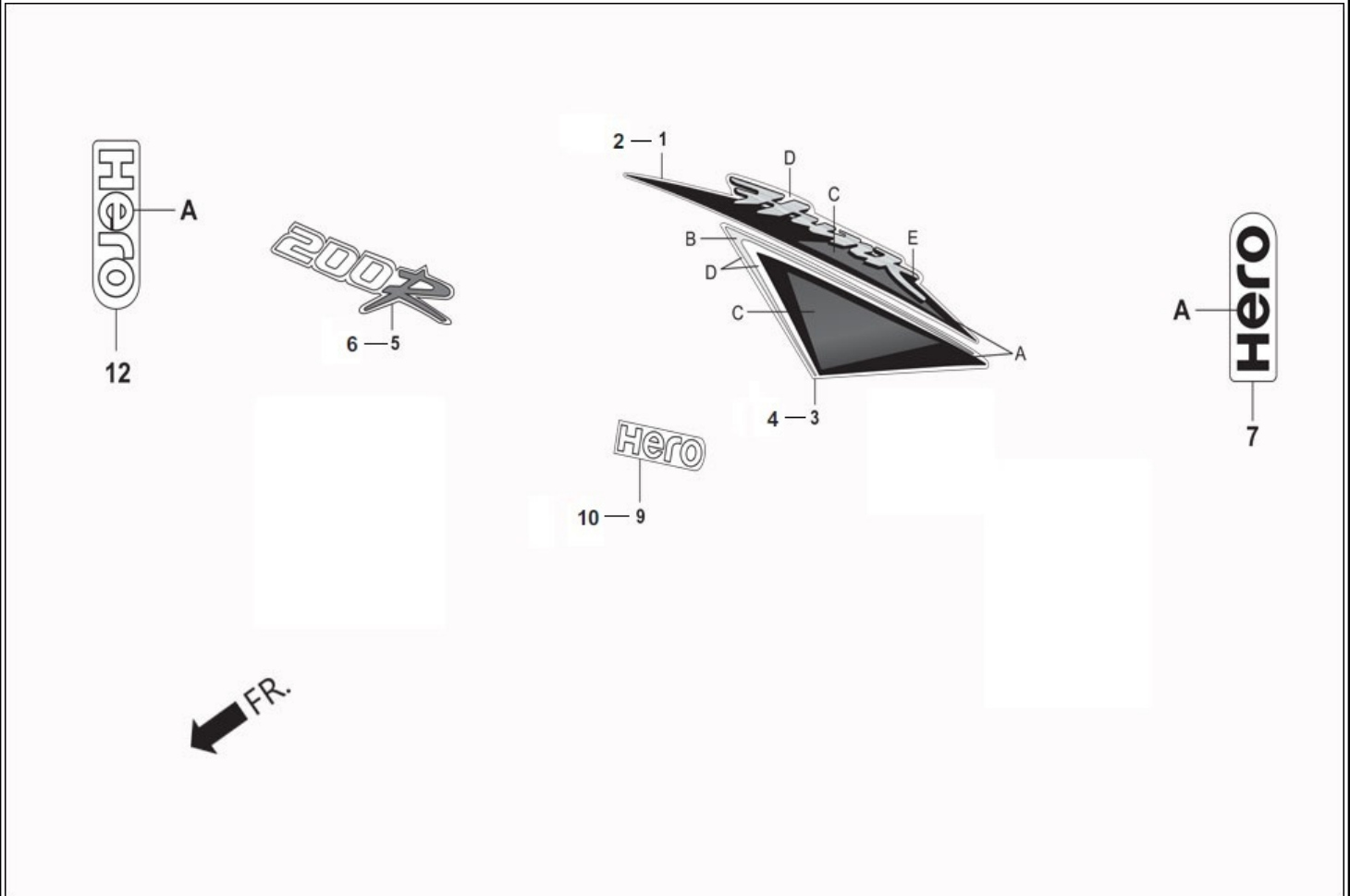
Group Number: F-27-WO-ABS Model :: Hunk 200R (Aug, 2018)

Ref No.	Part Number	Description	Req.
2	86274-ABF-100R	STRIPE A, L SHROUD (TYPE-1)	1
	86274-ABF-100S	STRIPE A, L SHROUD (TYPE-2)	1
	86274-AAB-C00R	STRIPE A, L SHROUD (TYPE-1)	1
	86274-ABF-100U	STRIPE A, L SHROUD (TYPE-3)	1

SPECIFIED COLOUR CHART FOR, STRIPE A, L SHROUD

SPECIFIED COLOUR TYPE	A	B	C	D	E	MAIN BODY COLOUR
1	NH-1 BLACK	ROSS WHITE	SPORTS RED	SPORTS RED	NH-1 BLACK	SPORTS RED (R-321)
2	SPORTS RED	ROSS WHITE	NH-1 BLACK	NH-1 BLACK	HEAVY GREY ME.	BLACK (NH-1)
1	CSPL 0087	SPORTS RED	MAT AXIS GREY ME. (GLOSSY)	MAT AXIS GREY ME.	NH-1 BLACK	MAT AXIS GRAY ME. (NH-303M)
3	NH-1 BLACK	ROSS WHITE	TECHNO BLUE ME.	TECHNO BLUE ME.	NH-1 BLACK	TECHNO BLUE ME. (BL-002M)

F-27-WO-ABS : STRIPE/ MARKS



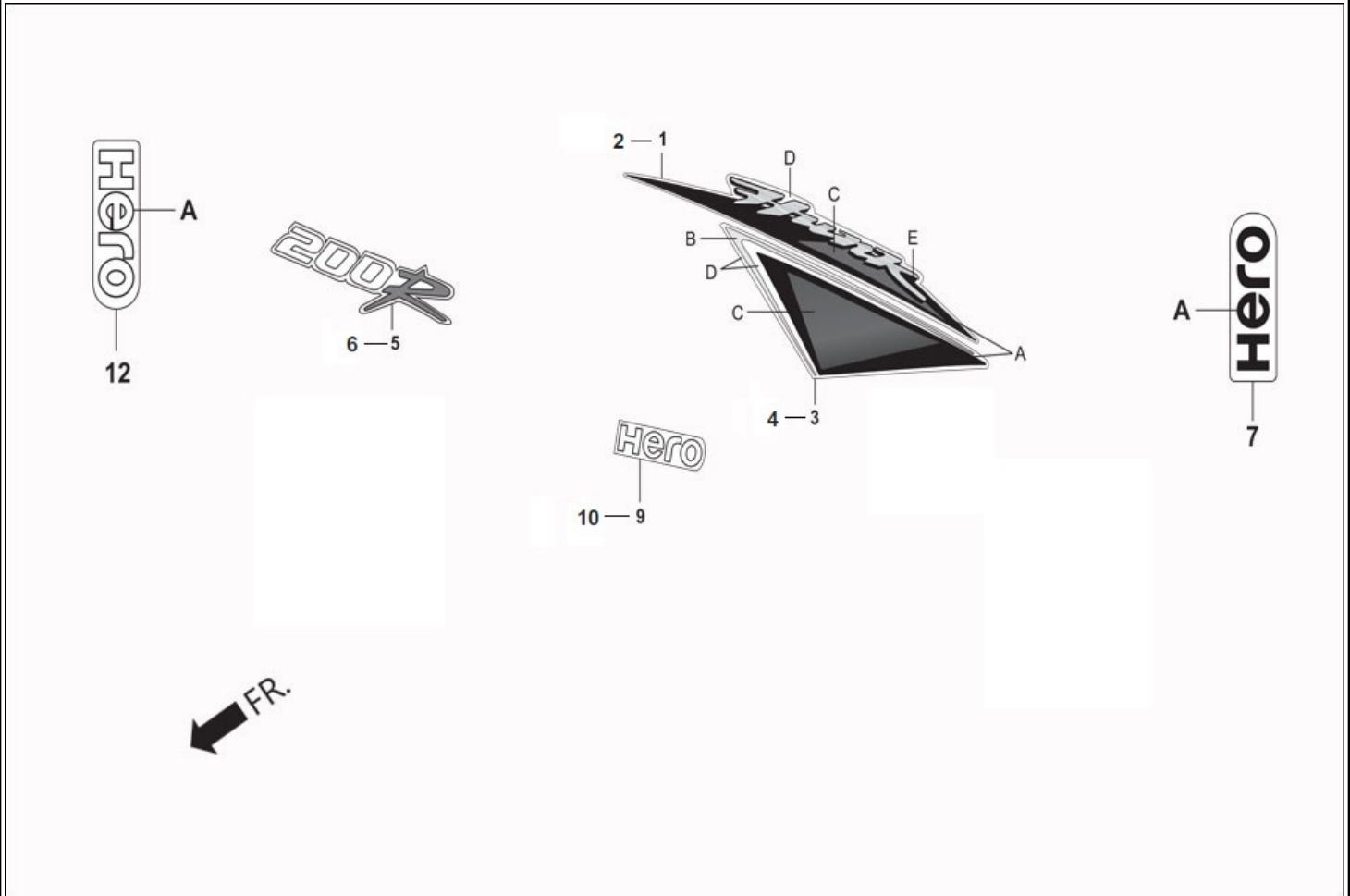
Group Number: F-27-WO-ABS Model :: Hunk 200R (Aug, 2018)

Ref No.	Part Number	Description	Req.
3	86275-ABF-100R	STRIPE B, R SHROUD (TYPE-1)	1
	86275-ABF-100S	STRIPE B, R SHROUD (TYPE-2)	1
	86275-AAB-C00R	STRIPE B, R SHROUD (TYPE-1)	1
	86275-ABF-100U	STRIPE B, R SHROUD (TYPE-3)	1

SPECIFIED COLOUR CHART FOR, STRIPE B, R SHROUD

SPECIFIED COLOUR TYPE	A	B	C	D	E	MAIN BODY COLOUR
1	NH-1 BLACK	ROSS WHITE	SPORTS RED	SPORTS RED	NH-1 BLACK	SPORTS RED (R-321)
2	SPORTS RED	ROSS WHITE	NH-1 BLACK	NH-1 BLACK	HEAVY GREY ME.	BLACK (NH-1)
1	CSPL 0087	SPORTS RED	MAT AXIS GREY ME. (GLOSSY)	MAT AXIS GREY ME.	NH-1 BLACK	MAT AXIS GRAY ME. (NH-303M)
3	NH-1 BLACK	ROSS WHITE	TECHNO BLUE ME.	TECHNO BLUE ME.	NH-1 BLACK	TECHNO BLUE ME. (BL-002M)

F-27-WO-ABS : STRIPE/ MARKS



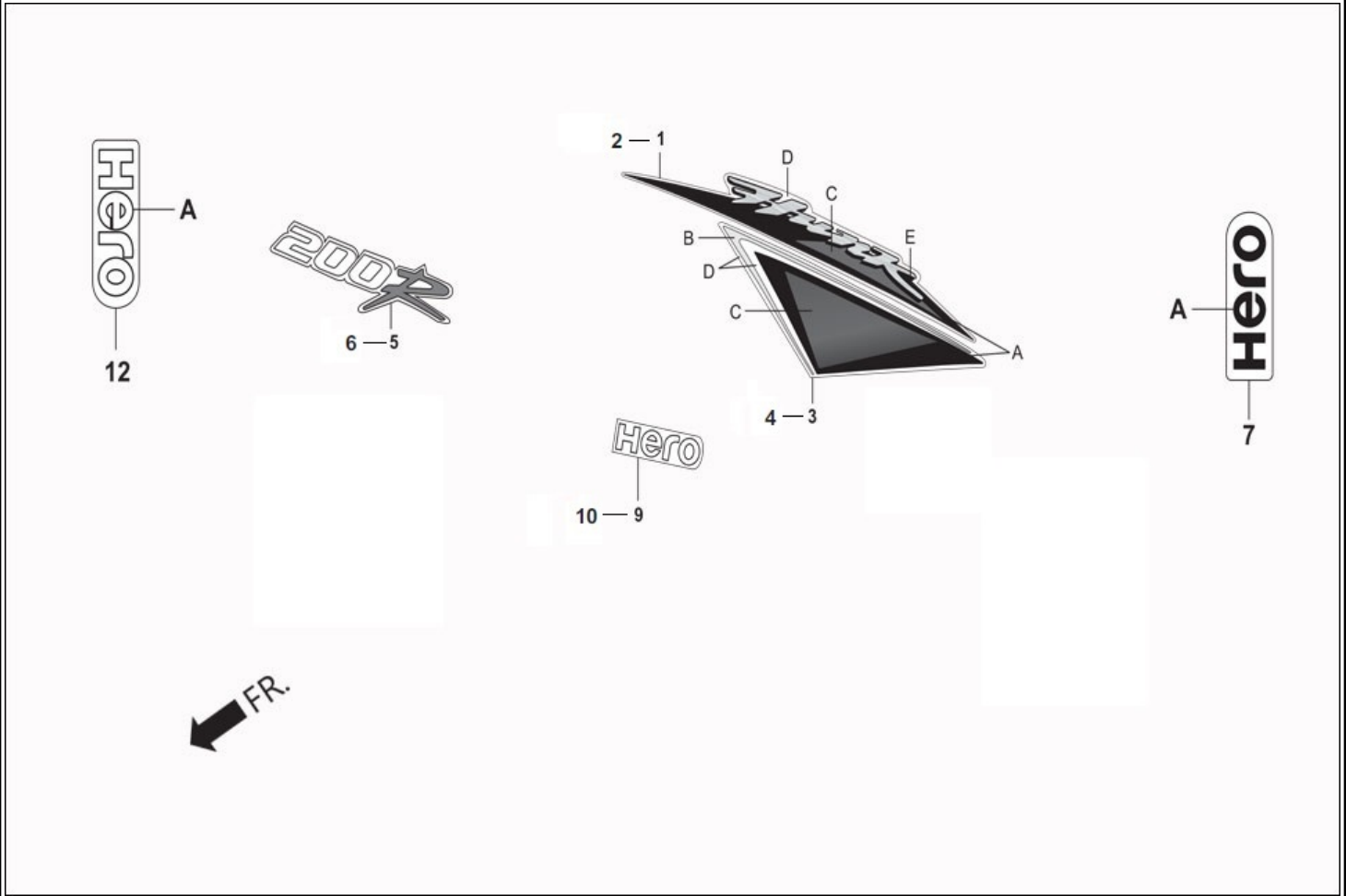
Group Number: F-27-WO-ABS Model :: Hunk 200R (Aug, 2018)

Ref No.	Part Number	Description	Req.
4	86276-ABF-100R	STRIPE B, L SHROUD (TYPE-1)	1
	86276-ABF-100S	STRIPE B, L SHROUD (TYPE-2)	1
	86276-AAB-C00R	STRIPE B, L SHROUD (TYPE-1)	1
	86276-ABF-100U	STRIPE B, L SHROUD (TYPE-3)	1

SPECIFIED COLOUR CHART FOR, STRIPE B, L SHROUD

SPECIFIED COLOUR TYPE	A	B	C	D	E	MAIN BODY COLOUR
1	NH-1 BLACK	ROSS WHITE	SPORTS RED	SPORTS RED	NH-1 BLACK	SPORTS RED (R-321)
2	SPORTS RED	ROSS WHITE	NH-1 BLACK	NH-1 BLACK	HEAVY GREY ME.	BLACK (NH-1)
1	CSPL 0087	SPORTS RED	MAT AXIS GREY ME. (GLOSSY)	MAT AXIS GREY ME.	NH-1 BLACK	MAT AXIS GRAY ME. (NH-303M)
3	NH-1 BLACK	ROSS WHITE	TECHNO BLUE ME.	TECHNO BLUE ME.	NH-1 BLACK	TECHNO BLUE ME. (BL-002M)

F-27-WO-ABS : STRIPE/ MARKS



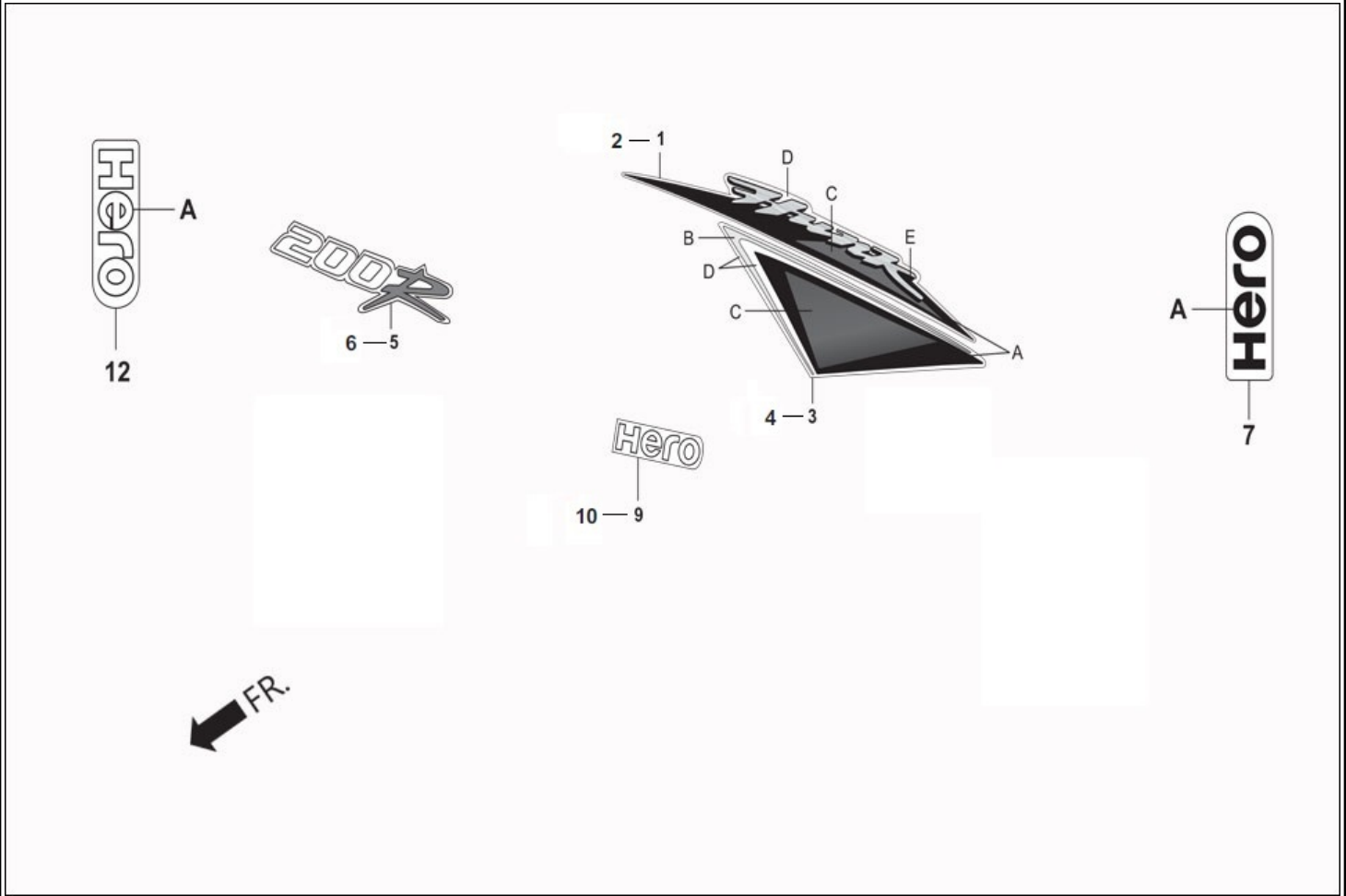
Group Number: F-27-WO-ABS Model :: Hunk 200R (Aug, 2018)

Ref No.	Part Number	Description	Req.
5	86281-ABF-100R	STRIPE COWL R REAR (TYPE-1)	1
6	86282-ABF-100R	STRIPE COWL L REAR (TYPE-1)	1
7	86776-ABF-100R	MARK HERO FR FENDER (TYPE-1)	1
	86776-ABF-100S	MARK HERO FR FENDER (TYPE-2)	1
	86776-AAB-A00S	MARK HERO FR FENDER TY-2	1

SPECIFIED COLOUR CHART FOR, MARK HERO FR FENDER

SPECIFIED COLOUR TYPE	A	MAIN BODY COLOUR
2	TRANSPARENT (MATTE)	SPORTS RED (R-321)
1	NH-1 BLACK	BLACK (NH-1)
2	TRANSPARENT (MATTE)	MAT AXIS GRAY ME. (NH-303M)
2	TRANSPARENT (MATTE)	TECHNO BLUE ME. (BL-002M)

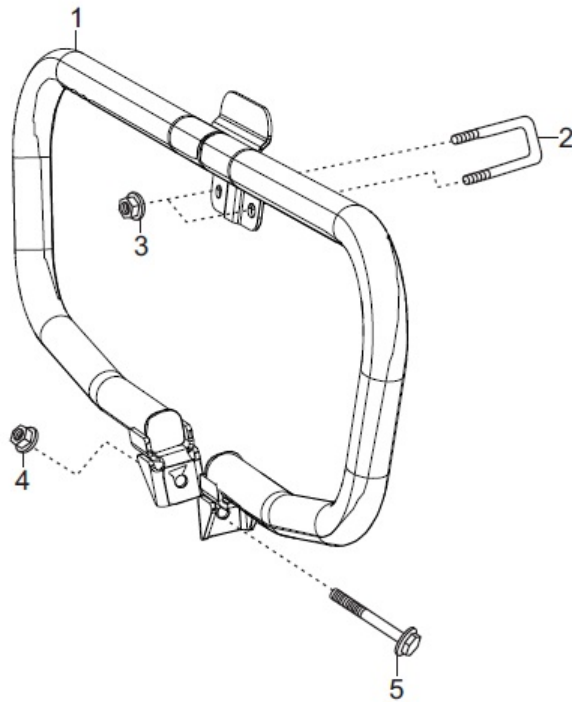
F-27-WO-ABS : STRIPE/ MARKS



Group Number: F-27-WO-ABS Model :: Hunk 200R (Aug, 2018)

Ref No.	Part Number	Description	Req.
9	86855-AAB-A000	MARK HERO COVER A R SIDE	1
10	86856-AAB-A000	MARK HERO COVER A L SIDE	1
12	87277-AAB-A000	MARK HERO COWL CENTER REAR	1

F-28 : GUARD FRONT

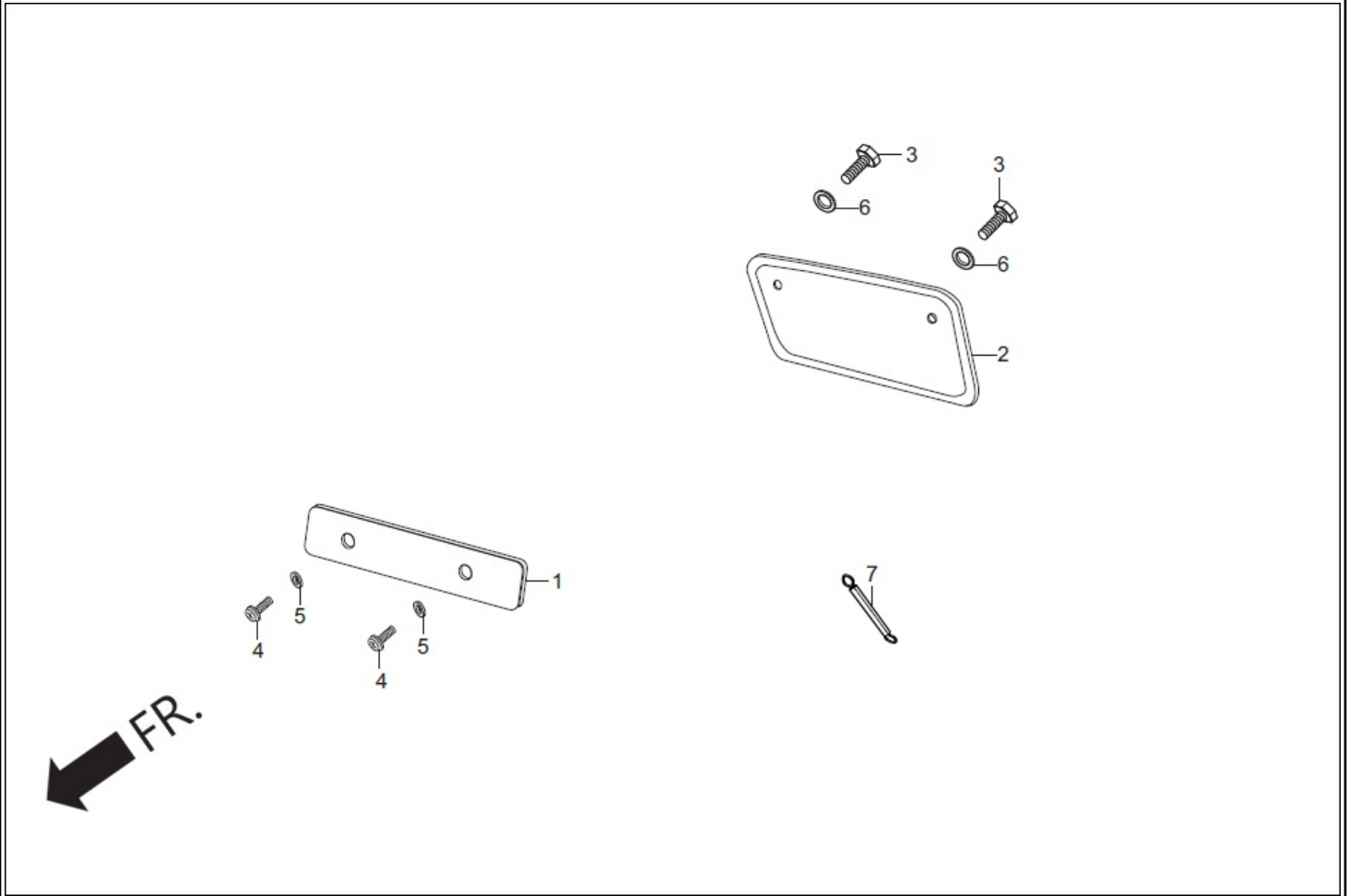


FR. ←

Group Number: F-28 Model :: Hunk 200R (Aug, 2018)

Ref No.	Part Number	Description	Req.
1	50803-AAB-A00	GUARD ENGINE	1
2	50805-KVE-900	U-CLAMP	1
3	94050-08070	NUT, FLANGE, 8MM	2
4	94050-08000	NUT, FLANGE, 8MM	1
5	95801-08095-00	BOLT, FLANGE, 8 X 95	1

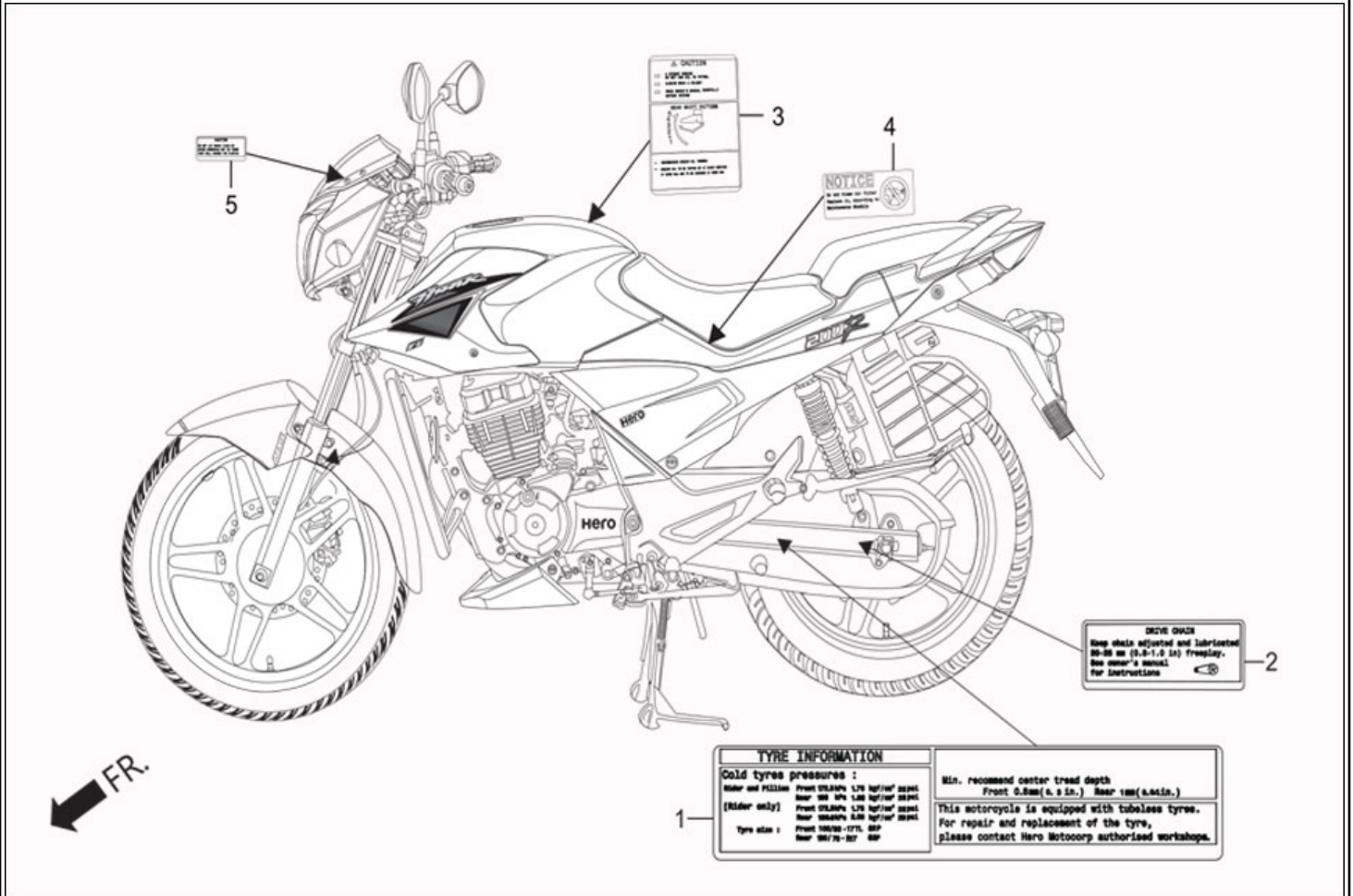
F-29 : FR./RR. NUMBER PLATE (OPTIONAL)



Group Number: F-29 Model :: Hunk 200R (Aug, 2018)

Ref No.	Part Number	Description	Req.
1	64310-198-D20A	PLATE, FRONT NUMBER	1
2	84701-P26-D00A	NUMBER, PLATE REAR	1
3	92000-06012-0A	BOLT,HEX.,6X12	2
4	93500-05020-0A	SCREW PAN 5X20	2
5	94101-05000	WASHER , PLAIN, 5MM	2
6	94101-06000	WASHER, PLAIN, 6 MM	2
7	80103-AAB-A00	WIRE HELMET SET	1

F-30 : CAUTION LABEL



Group Number: F-30 Model :: Hunk 200R (Aug, 2018)

Ref No.	Part Number	Description	Req.
1	87505-AAB-A00	LABEL TYRE	1
2	87507-AAB-A00	LABEL DRIVE CHAIN	1
3	87560-AAB-H00	LABEL DRIVE	1
4	87509-AAP-000	LABEL AIR/C ELEMENT NOTICE	1
5	87522-MAB-600	LABEL, VISOR CAUTION	1

PARTS INDEX

PART NO	BLOCK	PART NO	BLOCK
1110A-ABF-000	E-3B	14781-MA6-000	E-1C
1723A-AAB-A00	F-24B	15100-ABF-000	E-6
3310B-AAB-A01	F-1	15130-KRM-840	E-6
3340B-AAB-C01	F-21	15331-ABF-000	E-6
3345B-AAB-C01	F-21	15332-ABF-000	E-6
3360B-AAB-C01	F-21A	15421-KTN-900	E-6
3365B-AAB-C01	F-21A	15430-KSP-910	E-6
3372B-AAB-C01	F-20	15436-KRM-840	E-6
5035A-AAB-A00	F-25	15441-KCS-650	E-6
06435-AAB-A00	F-8A	15446-107-000	E-6
06451-GE2-405L	F-4B	15459-AAB-A00	E-6
06451-MA7-405	F-8A	15650-KVN-970	E-6
06455-GCR-016L	F-4B	15772-KTN-900	F-13A
11108-KTN-900	E-3B	16001-AAB-A00	E-11
11200-ABF-000	E-3B	16002-AAB-A00	E-11
11215-KSP-910	E-3B	16003-AAB-A00	E-11
11216-AAB-A00	E-3B	16004-AAB-A00	E-11
11217-KRM-840	E-3B	16005-AAB-A00	E-11
11330-AAB-A00	E-3	16006-AAB-A00	E-11
11341-AAB-A00	E-3A	16007-AAB-A00	E-11
11360-AAB-A00	E-3A	16008-AAB-A00	E-11
11365-AAB-A00	E-3A	16008-AAW-001	E-11
11393-KWK-900	E-3	16011-AAB-A00	E-11
11395-KWK-900	E-3A	16012-AAB-A00	E-11
12100-ABF-000	E-1B	16013-AAB-A00	E-11
12191-ABF-000	E-1B	16018-AAB-A00	E-11
12196-AAB-A00	E-1A	16019-AAB-A00	E-11
12196-AAB-A00	E-1B	16020-AAB-A00	E-11
12200-ABF-000	E-1A	16021-AAB-A00	E-11
12209-AAN-410	E-1C	16022-AAB-A00	E-11
12210-ABF-000	E-1A	16023-AAB-A00	E-11
12212-ABF-000	E-1A	16023-AAW-001	E-11
12251-ABF-000	E-1A	16024-AAB-A00	E-11
12310-AAB-A00	E-1	16024-AAW-001	E-11
12391-KRM-840	E-1	16026-AAB-A00	E-11
12396-KRM-840	E-1	16027-AAB-A00	E-11
12397-KSP-910	E-1	16028-AAB-A00	E-11
12398-KSP-910	E-1	16029-AAB-A00	E-11
13000-ABF-000	E-7	16029-AAW-001	E-11
13011-ABF-001	E-7	16031-AAB-A00	E-11
13101-ABF-000	E-7	16032-AAB-A00	E-11
13111-ABF-000	E-7	16033-AAW-001	E-11
13201-ABF-000	E-7	16033-AAB-A00	E-11
13411-AAB-A00	E-7	16041-AAB-A00	E-11
13420-AAB-A00	E-7	16042-AAB-A00	E-11
13421-ABF-000	E-7	16043-AAB-A00	E-11
13427-AAB-A00	E-7	16044-AAB-A00	E-11
13538-AAB-A00	E-7	16045-AAB-A00	E-11
14100-ABF-000	E-1C	16046-AAB-A00	E-11
14311-AAB-A00	E-7	16047-AAB-A00	E-11
14321-AAB-A00	E-2	16048-AAB-A00	E-11
14401-AAB-A00	E-2	16049-AAB-A00	E-11
14430-ABF-000	E-1C	16050-AAB-A00	E-11
14451-ABF-000	E-1C	16051-AAB-A00	E-11
14510-AAB-A00	E-2	16052-AAB-A00	E-11
14515-KRM-840	E-2	16053-AAB-A00	E-11
14520-AAB-A0099	E-2	16054-AAB-A00	E-11
14560-KSP-910	E-2	16056-AAB-A00	E-11
14610-AAB-A00	E-2	16057-AAB-A00	E-11
14711-ABF-000	E-1C	16058-AAB-A00	E-11
14721-ABF-000	E-1C	16059-AAB-A00	E-11
14751-ABF-000	E-1C	16071-AAB-A00	E-11
14771-ABF-000	E-1C	16072-AAW-001	E-11
14775-ABF-000	E-1C	16081-AAB-A00	E-11

PART NO	BLOCK	PART NO	BLOCK
16082-AAB-A00	E-11	17951-AAB-A00	F-3B
16083-AAB-A00	E-11	18291-KRY-930	F-14
16084-AAB-A00	E-11	18293-KPK-900	F-14
16085-AAB-A00	E-11	18300-AAB-A00	F-14
16086-AAB-A00	E-11	18312-AAB-A00	F-14
16087-AAB-A00	E-11	18313-AAB-A00	F-14
16088-AAB-A00	E-11	18317-KVN-900	F-14
16100-AAB-A00	E-11	18345-MBT-610	F-14
16155-AAB-A00	E-11	18421-438-670	F-14
16165-AAB-A00	E-11	18421-438-670	F-15
16200-AAB-A00	E-11A	18442-KRC-900	F-14
16217-KSP-910	E-11A	18600-KSP-901	F-13A
16222-KSP-910	E-11A	18601-AAB-A00	F-13A
16222-MV4-300	F-13	18602-AAB-A00	F-13A
16950-AAB-A01	F-11	18640-AAB-A00	E-11A
16952-AAB-A01	F-11	18655-AAB-A00	F-13A
16955-AAB-A00	F-11	19052-AAB-A00	F-4A-ABS
16956-AAB-A00	F-11	19052-KV0-000	F-13
16958-397-770	F-11	19509-GE2-003	F-13
17199-KTR-900	F-11	19509-KFN-850	F-13A
17208-AAB-A00	F-13	22100-KTN-900	E-4
17210-AAB-A00	F-13	22115-KSP-910	E-4
17214-AAB-A00	F-13	22120-KRM-840	E-4
17225-AAB-A00	F-13	22201-KPM-850	E-4
17227-ABA-000	F-13	22201-MR8-000	E-4
17230-AAH-100	F-11A	22321-KPS-900	E-4
17251-AAB-A00	F-13	22355-KRM-840	E-4
17253-AAB-A00	F-13	22361-KPK-900	E-4
17365-AAB-A00	F-13A	22366-KSP-910	E-4
17371-AAB-A01	F-13	22401-ABF-000	E-4
17410-AAM-001	F-11A	22810-KRM-B00	E-3
17410-AAB-A00	F-13	22815-428-000	E-3
17411-AAB-A00	F-11A	22821-KRM-840	E-3
17420-AAD-A00	F-11A	22870-AAB-A00	F-3
17421-AAB-500	F-11A	22871-KTN-700	F-3
17430-AAE-100	F-11A	23121-KVE-860	E-8
17431-AAH-A00	F-11A	23210-KVN-900	E-8
17460-AAE-10099	F-11A	23220-AAB-A00	E-8
17506-AAB-A00	F-11	23421-KVN-900	E-8
17510-AAB-C00R	F-11	23427-KRM-840	E-8
17510-AAB-A00S	F-11	23427-KRM-840	E-9
17510-AAB-A00U	F-11	23431-AAB-A00	E-8
17510-AAB-A00V	F-11	23432-KRM-840	E-8
17529-KVN-900	F-11	23441-AAB-A00	E-8
17547-AAB-A00	F-11	23451-KVN-900	E-8
17548-AAB-A00	F-11	23461-KVN-900	E-8
17549-AAB-A00	F-11	23471-AAB-A00	E-8
17611-KRY-970	F-11	23472-KSP-910	E-8
17613-MV4-000	F-11	23481-AAB-A00	E-8
17620-AAB-H61	F-23	23491-AAB-A00	E-8
17622-GB7-900	F-13A	23492-KSP-910	E-8
17646-MN8-700	F-11A	23501-AAB-A00	E-8
17670-AAB-A00	F-11A	23801-KRY-970	E-8
17671-AAB-A00	F-11A	23811-KR3-600	E-8
17681-AAB-A00	F-11	24211-KRM-840	E-10
17690-AAB-A00	F-11A	24212-KRM-840	E-10
17691-AAB-A00	F-11A	24241-KRM-840	E-10
17693-AAB-A00	F-11A	24242-KRM-840	E-10
17694-AAB-A00	F-11A	24301-KSP-910	E-10
17695-AAH-A00	F-11A	24410-KSP-860	E-10
17695-AAM-000	F-11A	24430-KTN-900	E-10
17699-AAT-000	F-11A	24436-KSP-910	E-10
17910-AAB-A00	F-3B	24610-KSP-910	E-10
17950-AAB-A00	F-3B	24627-KRM-840	E-10

PART NO	BLOCK	PART NO	BLOCK
24651-KSP-910	E-10	32602-AAB-A00	F-24-ABS
24652-KSP-910	E-10	32602-AAB-A00	F-24-WO-ABS
24700-KVE-900	F-17	33108-AAB-101	F-1
24701-KVE-900	F-17	33110-AAB-A01	F-1
24711-KVE-900	F-17	33112-AAB-000	F-1
24720-KFN-850	F-17	33134-AAB-101	F-1
24721-GS3-000	F-17	33150-AAB-101	F-1
24781-KR3-770	F-17	33170-AAB-A01	F-1
28110-KTN-900	E-9	33180-AAB-A01	F-1
28120-KTR-A00A	E-9	33401-AAR-001	F-21
28131-KTN-900	E-9	33401-AAR-001	F-21A
28132-KN6-930	E-9	33402-AAS-001	F-21
28133-KRM-850	E-9	33402-AAS-001	F-21A
28211-AAB-A00	E-9	33405-AAB-C01	F-21
28215-KRM-840	E-9	33408-AAR-001	F-21
28221-KTN-900	E-9	33408-AAR-001	F-21A
28223-KRM-840	E-9	33451-AAR-001	F-21
28231-AAB-A00	E-9	33451-AAR-001	F-21A
28241-AAK-H00	F-17A	33452-AAS-001	F-21
28251-KTN-900	E-9	33452-AAS-001	F-21A
28261-KRM-840	E-9	33455-AAB-C01	F-21
28282-KRM-840	E-9	33491-ABW-001	F-21
28293-333-000	F-17A	33491-ABW-001	F-21A
28300-AAK-H00	F-17A	33496-ABW-001	F-21
28311-KC5-000	F-17A	33496-ABW-001	F-21A
28333-300-000	F-15	33506-AAB-A01	F-2-ABS
28333-KK0-000	F-17A	33506-AAB-A01	F-2-WO-ABS
30401-AAB-A01	F-24-ABS	33605-AAB-C01	F-21A
30401-AAB-A01	F-24-WO-ABS	33619-459-840A	F-14
30410-AAB-A01	F-24-ABS	33655-AAB-C01	F-21A
30410-AAB-A01	F-24-WO-ABS	33700-AAB-A01	F-22
30500-AAB-H61	F-24-ABS	33714-KL3-620	F-25A
30500-AAB-H61	F-24-WO-ABS	33721-AAB-C01	F-20
30700-KWA-831	F-24-ABS	33722-AAG-00099	F-20
30700-KWA-831	F-24-WO-ABS	33723-AAG-00099	F-20
31100-KSP-B01	E-5	33729-MCZ-003	F-20
31110-KSP-B01	E-5	33740-AAB-000	F-6A
31120-KSP-B01	E-5	33743-AAR-001	F-20
31200-KSP-901	E-5A	34351-AAB-401	F-20
31201-KPT-A01	E-5A	34901-KSP-910	F-1
31204-KG8-004	E-5A	34908-AAB-401	F-21
31205-KTC-921	E-5A	34908-AAB-401	F-21A
31206-KPH-881	E-5A	34930-AAC-700	F-21
31207-MBE-008	E-5A	34930-AAC-700	F-21
31500-KRP-801	F-24B	34930-AAC-700	F-21A
31600-KWS-901	F-24-ABS	34930-AAC-700	F-21A
31600-KWS-901	F-24-WO-ABS	35010-AAB-A01	F-23
31700-124-000	F-24-ABS	35100-AAB-A01	F-23
31700-124-000	F-24-WO-ABS	35106-KTC-900	F-6
31916-KRM-84099	E-1A	35121-AAB-A01	F-23
32100-AAB-A00	F-24-ABS	35122-AAB-A01	F-23
32100-AAB-A20	F-24-WO-ABS	35130-AAB-000	F-18
32111-KSP-910	E-5	35140-AAB-102	F-23
32161-404-000	F-3B	35150-AAB-A01	F-3B
32401-AAB-A00	F-23	35200-AAB-A01	F-3B
32410-AAB-A00	F-24-ABS	35330-413-003	F-3B
32410-AAB-A00	F-24-WO-ABS	35340-MA5-670L	F-4-WO-ABS
32411-253-000	F-24-ABS	35340-MA5-670L	F-4A-ABS
32411-253-000	F-24-WO-ABS	35350-KVE-930A	F-23
32413-KRY-970	F-24-ABS	35357-KVN-970	F-17
32413-KRY-970	F-24-WO-ABS	35400-KRY-970	F-22
32414-KVN-970	F-23	35751-KPH-900	E-5A
32601-AAB-A00	F-24-ABS	35752-KRM-840	E-5A
32601-AAB-A00	F-24-WO-ABS	35759-AAB-000	E-5A

PART NO	BLOCK	PART NO	BLOCK
35850-AAM-H01	F-23	43352-568-003L	F-4B
35856-AAB-A00	F-23	43352-568-003L	F-8A
37100-AAB-A01	F-2-ABS	43353-461-771L	F-4B
37100-AAB-A21	F-2-WO-ABS	43353-461-771L	F-8A
37103-AAB-A01	F-2-ABS	43503-MEE-006	F-8
37103-AAB-A01	F-2-WO-ABS	43504-MB2-006	F-8
37104-AAB-A01	F-2-ABS	43510-KRY-971	F-8
37104-AAB-A01	F-2-WO-ABS	43511-KW7-881	F-8
37105-KRJ-901	F-2-ABS	43512-AAB-A00	F-8
37105-KRJ-901	F-2-WO-ABS	43514-KS6-701	F-8
37202-AAB-A01	F-2-ABS	43520-MJ6-315	F-8
37202-AAB-A01	F-2-WO-ABS	43530-MV9-006	F-8
37210-AAB-A01	F-2-ABS	44301-AAB-A00	F-7-ABS
37210-AAB-A21	F-2-WO-ABS	44301-AAB-A00	F-7-WO-ABS
37211-AAB-A01	F-2-ABS	44311-KPL-900	F-7-ABS
37211-AAB-A01	F-2-WO-ABS	44311-KPL-900	F-7-WO-ABS
37212-AAB-A01	F-2-ABS	44601-AAB-A00	F-7-ABS
37212-AAB-A01	F-2-WO-ABS	44601-AAB-A20	F-7-WO-ABS
37800-KVN-901	F-11	44800-AAB-A21	F-7-WO-ABS
38110-AAB-401	F-25A	44802-AAB-A00	F-7-ABS
38117-KFE-701	F-25A	45107-MN5-006L	F-4B
38301-AAJ-102	F-23	45108-ML4-006L	F-4B
38306-GE7-000	F-23	45109-GE2-006L	F-4B
38520-AAB-A00	F-4A-ABS	45111-MAJ-G41	F-8A
40510-AAB-A00	F-18A	45126-AAB-A20	F-4-WO-ABS
40530-AAB-A00099	F-16	45126-AAB-A00	F-4A-ABS
40543-KRY-900	F-16	45128-AAB-A00	F-4A-ABS
40546-KVE-900	F-16	45131-GE2-006L	F-4B
40550-AAB-A00	F-18A	45131-GZ0-006L	F-4B
41201-AAB-A00	F-9	45131-GE2-006L	F-8A
41241-KSP-900	F-9	45131-GZ0-006L	F-8A
42301-AAB-A00	F-9	45132-166-016L	F-4B
42303-AAB-A00	F-9	45132-166-016L	F-8A
42311-AAB-A00	F-9	45133-MA3-006L	F-4B
42313-KRY-970	F-9	45133-MA3-006L	F-8A
42601-AAB-A20	F-9	45155-AAB-A00	F-4-WO-ABS
42611-KRY-930	F-9	45155-AAB-A00	F-4A-ABS
42620-KTR-700	F-7-ABS	45156-AAB-A20	F-4-WO-ABS
42620-KTR-700	F-7-WO-ABS	45156-AAB-A00	F-4A-ABS
42620-AAR-000	F-9	45164-AAB-A20	F-2-ABS
42703-AAB-A00	F-7-ABS	45164-AAB-A20	F-2-WO-ABS
42703-AAB-A00	F-7-WO-ABS	45165-AAB-A20	F-2-ABS
42703-AAB-A00	F-9	45165-AAB-A20	F-2-WO-ABS
42704-AAB-A00	F-7-ABS	45201-GT4-691L	F-4B
42704-AAB-A00	F-7-WO-ABS	45203-MG3-016L	F-4B
42704-AAB-A00	F-9	45203-MCC-006	F-8A
42705-AAB-A00	F-7-ABS	45209-GE2-006L	F-4B
42705-AAB-A00	F-7-WO-ABS	45210-KR3-871L	F-4B
42705-AAB-A00	F-9	45215-KA3-732L	F-4B
42707-AAB-A00	F-7-ABS	45216-166-006L	F-4B
42707-AAB-A00	F-7-WO-ABS	45216-KW6-901L	F-4B
42707-AAB-A00	F-9	45250-KRY-901	F-4B
42753-KWF-90099	F-7-ABS	45251-KRY-971	F-7-ABS
42753-KWF-90099	F-7-WO-ABS	45251-KRY-971	F-7-WO-ABS
42753-KWF-90099	F-9	45252-AAB-A00	F-7-ABS
43107-MA7-006	F-8A	45290-KGB-611L	F-4B
43114-KW6-842L	F-4B	45504-410-003L	F-4-WO-ABS
43114-KRY-971	F-8A	45504-410-003L	F-4A-ABS
43115-AAB-A00	F-8A	45510-KRY-972	F-4-WO-ABS
43150-AAB-A00	F-8A	45510-KRY-972	F-4A-ABS
43215-KGH-901	F-8A	45512-MA6-006	F-4-WO-ABS
43251-KVN-971	F-9	45512-MA6-006	F-4A-ABS
43301-AAB-A00	F-4A-ABS	45513-HA2-006L	F-4-WO-ABS
43310-AAB-A00	F-8	45513-HA2-006L	F-4A-ABS

PART NO	BLOCK	PART NO	BLOCK
45513-GW0-911	F-8	51419-AAB-A02	F-6A
45517-166-000	F-3B	51420-AAB-A02	F-6A
45517-166-000	F-4-WO-ABS	51423-AAB-A02	F-6A
45517-166-000	F-4A-ABS	51432-AAB-A02	F-6A
45520-GE2-006	F-4-WO-ABS	51437-AAB-A02	F-6A
45520-GE2-006	F-4A-ABS	51440-AAB-A02	F-6A
45520-GW0-911	F-8	51500-AAB-A02	F-6A
45521-K21-901	F-4-WO-ABS	51520-AAB-A02	F-6A
45521-K21-901	F-4A-ABS	52101-KTN-700	F-18A
45521-GW0-911	F-8	52110-AAB-A00	F-18A
45530-471-831L	F-4-WO-ABS	52143-KVE-900	F-18A
45530-471-831L	F-4A-ABS	52144-KEJ-900	F-18A
46182-MEL-D21	F-8	52170-AAB-A00	F-18A
46500-AAB-H60	F-15A	52400-AAB-A02	F-19
46504-KV6-702	F-8	53100-AAB-A00	F-3B
46514-KN5-670	F-15A	53105-KRC-900	F-3B
46515-KVN-970	F-15A	53131-AAB-A00	F-3B
50100-AAB-A00	F-25	53140-KVE-860	F-3B
50137-AAR-000	F-25	53166-KVE-860	F-3B
50151-AAB-A00	F-11A	53172-KRC-900	F-3B
50186-AAB-A00	F-20	53174-116-670	F-4-WO-ABS
50200-AAB-C00R	F-11	53175-KFN-850L	F-4-WO-ABS
50200-ABF-100R	F-11	53175-KFN-850L	F-4A-ABS
50200-ABF-100S	F-11	53178-KFN-850	F-3B
50200-ABF-100U	F-11	53179-KTC-900	F-3
50207-AAB-A00	F-4A-ABS	53200-AAB-A00	F-6
50265-AAB-A00	F-11	53211-268-010	F-6
50275-AAB-A00	F-11	53212-200-000	F-6
50296-KVE-900	F-25	53214-200-000	F-6
50300-AAB-C00R	F-11	53215-KTR-900	F-6
50300-ABF-100R	F-11	53220-KRY-970	F-6
50300-ABF-100S	F-11	53222-KTR-900	F-6
50300-ABF-100U	F-11	53230-AAB-A00	F-6
50301-KTR-900	F-6	53252-AAB-A00	F-1A
50327-AAB-A00	F-24B	57111-AAB-A00	F-4A-ABS
50328-KVN-900	F-25	61000-ABF-100T	F-5
50400-AAB-A000	F-25B	61000-ABF-100S	F-5
50450-AAB-A000	F-25B	61000-AAB-A00U	F-5
50500-AAB-A00	F-18	61000-AAB-A00V	F-5
50505-KCC-900	F-25	61000-ABF-120S	F-5A
50526-KCT-690	F-18	61000-ABF-120T	F-5A
50530-KVE-900	F-18	61000-AAB-A10U	F-5A
50600-AAB-010	F-15	61000-AAB-A10V	F-5A
50612-AAB-A00	F-15	61103-AAB-100	F-1A
50619-KRY-970	F-15	61103-KRY-900	F-5
50638-KRY-970	F-15	61103-KRY-900	F-5A
50639-KRY-970	F-15	61105-KTC-900	F-1A
50642-AAB-A00	F-15	61105-KTC-900	F-5
50643-KCT-690	F-15	61105-KTC-900	F-5A
50661-KVE-860	F-15	61107-KK6-000	F-24B
50700-AAB-A00	F-15	61301-AAB-A00	F-1A
50718-AAB-H70	F-15	61311-AAB-A00	F-1A
50718-KRY-970	F-15	61312-AAB-A00	F-1A
50720-KRY-970	F-15	61312-KCT-690	F-1A
50730-KRY-970	F-15	61322-AAB-C00R	F-1A
50803-AAB-A00	F-28	61322-AAB-A00S	F-1A
50805-KVE-900	F-28	61322-AAB-A00U	F-1A
51103-AAB-A00	F-18A	61322-AAB-A00V	F-1A
51400-AAB-A02	F-6A	61323-AAB-C00R	F-1A
51401-AAB-A02	F-6A	61323-AAB-A00S	F-1A
51403-AAB-A02	F-6A	61323-AAB-A00U	F-1A
51410-AAB-A02	F-6A	61323-AAB-A00V	F-1A
51412-AAB-A02	F-6A	64140-AAB-A00	F-1A
51413-AAB-A02	F-6A	64300-AAB-A000	F-1A

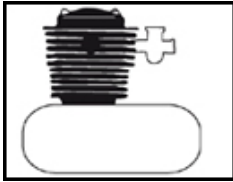
PART NO	BLOCK	PART NO	BLOCK
64310-198-D20A	F-29	86274-ABF-100S	F-27-WO-ABS
64311-AAB-A00	F-1A	86274-AAB-C00R	F-27-WO-ABS
64315-AAB-A00	F-1A	86274-ABF-100U	F-27-WO-ABS
64316-KVN-900	F-1A	86275-ABF-100R	F-27-ABS
64400-AAB-A000	F-1A	86275-ABF-100S	F-27-ABS
64720-AAB-A00	F-11	86275-AAB-C00R	F-27-ABS
64820-AAB-A00	F-11	86275-ABF-100U	F-27-ABS
75582-KCW-870	F-10A	86275-ABF-100R	F-27-WO-ABS
77156-AAB-A00	F-10	86275-ABF-100S	F-27-WO-ABS
77200-AAB-A00	F-10	86275-AAB-C00R	F-27-WO-ABS
77204-KCC-900	F-10	86275-ABF-100U	F-27-WO-ABS
77206-KTR-900	F-10	86276-ABF-100R	F-27-ABS
77209-KAG-900	F-22	86276-ABF-100S	F-27-ABS
77221-KVE-860	F-10	86276-AAB-C00R	F-27-ABS
77232-AAB-A00	F-22	86276-ABF-100U	F-27-ABS
77235-AAB-A000	F-10A	86276-ABF-100R	F-27-WO-ABS
77239-AAB-H61	F-10A	86276-ABF-100S	F-27-WO-ABS
77239-AAB-H61	F-23	86276-AAB-C00R	F-27-WO-ABS
77240-ABF-100R	F-10A	86276-ABF-100U	F-27-WO-ABS
77244-AAB-000	F-10A	86281-ABF-100R	F-27-ABS
77250-ABF-100R	F-10A	86281-ABF-100R	F-27-WO-ABS
77266-AAB-A000	F-10A	86282-ABF-100R	F-27-ABS
80101-443-000	F-1A	86282-ABF-100R	F-27-WO-ABS
80101-KVN-900	F-11	86776-ABF-100R	F-27-ABS
80102-AAB-A00	F-20	86776-ABF-100S	F-27-ABS
80103-AAB-A00	F-29	86776-AAB-A00S	F-27-ABS
80111-KVN-900	F-10A	86776-ABF-100R	F-27-WO-ABS
80112-KVN-900	F-1A	86776-ABF-100S	F-27-WO-ABS
80112-KVN-900	F-10A	86776-AAB-A00S	F-27-WO-ABS
80120-AAB-A00	F-20	86780-AAB-A00S	F-27-ABS
80130-AAB-A00	F-20	86780-ABF-100R	F-27-ABS
80150-AAB-A00	F-20	86780-ABF-100S	F-27-ABS
83402-AAB-A00	F-1A	86855-AAB-A000	F-27-ABS
83403-AAB-A000-20	F-24B	86855-AAB-A000	F-27-WO-ABS
83403-AAB-A000-21	F-24B	86856-AAB-A000	F-27-ABS
83500-AAB-A000	F-12	86856-AAB-A000	F-27-WO-ABS
83545-AAB-A00	F-4A-ABS	86880-AAB-A00S	F-27-ABS
83545-KCJ-690	F-13	86880-ABF-100R	F-27-ABS
83550-AAB-C00R	F-12	86880-ABF-100S	F-27-ABS
83550-AAB-A00S	F-12	87277-AAB-A000	F-27-ABS
83550-ABF-100U	F-12	87277-AAB-A000	F-27-WO-ABS
83550-AAB-A00V	F-12	87505-AAB-A00	F-30
83551-300-000	F-11	87507-AAB-A00	F-30
83551-MA6-000	F-15	87509-AAP-000	F-30
83551-GE2-000	F-20	87522-MAB-600	F-30
83600-AAB-A000	F-12	87560-AAB-H00	F-30
83650-AAB-C00R	F-12	88110-AAB-A000	F-3A
83650-AAB-A00S	F-12	88114-198-D10	F-3A
83650-ABF-100U	F-12	88120-AAB-A000	F-3A
83650-AAB-A00V	F-12	89102-538-000	F-26
84701-P26-D00A	F-29	89102-AAC-000	F-26
86273-ABF-100R	F-27-ABS	89103-538-000	F-26
86273-ABF-100S	F-27-ABS	89215-AAC-000	F-26
86273-AAB-C00R	F-27-ABS	89216-AAD-H00	F-26
86273-ABF-100U	F-27-ABS	90001-AAB-A00	F-6
86273-ABF-100R	F-27-WO-ABS	90002-KRM-840	E-1A
86273-ABF-100S	F-27-WO-ABS	90002-AAB-A00	F-6
86273-AAB-C00R	F-27-WO-ABS	90003-KFG-000	E-1
86273-ABF-100U	F-27-WO-ABS	90003-KVS-900	E-10
86274-ABF-100R	F-27-ABS	90003-MY5-720	F-3A
86274-ABF-100S	F-27-ABS	90006-MEE-000	E-11A
86274-AAB-C00R	F-27-ABS	90008-KRM-840	E-4
86274-ABF-100U	F-27-ABS	90012-KK3-830	E-1C
86274-ABF-100R	F-27-WO-ABS	90019-399-010	F-25

PART NO	BLOCK	PART NO	BLOCK
90022-MG8-000	E-10	90306-KVT-941	F-24B
90031-KSP-910	E-3B	90311-MT3-000	F-13
90040-KSP-910	E-1A	90311-MT3-000	F-20
90042-AAB-A00	F-4A-ABS	90320-GC3-000	F-1A
90071-MB0-000	E-5A	90320-GC3-000	F-10A
90074-KVE-900	F-11	90320-GC3-000	F-20
90083-KRM-840	E-2	90380-AAR-001	F-21
90084-KVE-930	E-3A	90380-AAR-001	F-21A
90084-041-000	E-8	90381-KWA-940	F-12
90085-KTC-920	E-9	90401-KRM-840	E-4
90087-KVE-900	E-3A	90402-AAB-A00	E-7
90101-GE0-000	F-1A	90403-AAB-A00	E-7
90101-GE0-000	F-10A	90404-KPT-A00	E-1A
90101-GE0-000	F-12	90417-KRM-840	E-10
90101-GE0-000	F-20	90417-041-000	F-13A
90102-KVN-900	F-3B	90432-KPT-A00	E-6
90105-KVE-860	F-1A	90441-KRM-840	E-3B
90105-KL8-741	F-7-ABS	90451-KRM-840	E-9
90105-KL8-741	F-7-WO-ABS	90452-KRM-840	E-8
90105-KL8-741	F-9	90452-GB4-770	E-8
90107-KST-940	F-14	90452-GB4-770	E-9
90107-AAB-000	F-18	90453-KRM-840	E-8
90108-KVN-900	F-11	90454-107-000	E-8
90109-SB6-000	F-1A	90455-KSP-910	E-9
90111-187-000	F-18A	90456-KRM-840	E-8
90111-187-000	F-20	90457-KRM-840	E-10
90111-MR5-000	F-23	90463-KRM-840	E-1
90111-MR5-000	F-24-ABS	90501-KPT-A00	E-4
90111-MR5-000	F-24-WO-ABS	90501-KPT-A00	E-5
90111-187-000	F-24B	90501-KRY-970	F-2-ABS
90113-438-000	F-3B	90501-KRY-970	F-2-WO-ABS
90114-166-000L	F-4-WO-ABS	90502-KVE-900	F-13A
90114-166-000L	F-4A-ABS	90502-155-000	F-17
90115-MV9-000	F-15	90503-KTR-900	F-6
90116-AAB-A02	F-6A	90505-KRM-860	F-17A
90122-KVT-941	F-24B	90522-AAB-000	F-18A
90123-AAB-A02	F-6A	90534-MV4-000	F-11
90124-AAB-A01	F-21	90543-MV9-670	E-1
90131-KRM-840	E-3B	90544-AAB-A02	F-6A
90145-MS9-610	F-4-WO-ABS	90545-300-000	F-4-WO-ABS
90145-MS9-610	F-4A-ABS	90545-300-000	F-4A-ABS
90145-MS9-610	F-8	90545-300-000	F-8
90154-AAB-A00	F-19	90560-KVE-900	F-9
90155-KY4-900	F-4-WO-ABS	90601-AAB-A00	E-8
90155-KY4-900	F-4A-ABS	90601-AAB-A02	F-6A
90159-AAB-A00	F-19	90601-KAF-003	F-13
90201-KRM-840	E-5	90601-KAF-003	F-13A
90201-MW3-620	F-3A	90601-KAF-003	F-23
90202-KRM-840	E-4	90602-KRM-840	E-8
90206-250-000	E-1C	90604-AAB-A00	E-7
90231-KM7-700	E-6	90605-200-000	E-8
90302-KBP-900	F-16	90651-MA5-671L	F-4-WO-ABS
90304-KSP-900	F-6	90651-MA5-671L	F-4A-ABS
90304-KCS-920	F-9	90652-AAW-300	F-4A-ABS
90304-KFN-850	F-18	90666-AAB-000	F-10A
90304-KST-942	F-19	90677-KAN-961	F-22
90305-KVN-900	F-9	90701-KFN-850	E-3
90305-KSP-900	F-14	90704-KRM-840	E-1A
90305-KVN-900	F-18A	90741-KGH-900	E-7
90306-ABF-000	E-1A	90741-KFB-000	E-7
90306-KST-942	F-7-ABS	90755-229-000	F-7-ABS
90306-KTE-911	F-7-ABS	90755-229-000	F-7-WO-ABS
90306-KST-942	F-7-WO-ABS	91001-GF6-000	E-3B
90306-KTE-911	F-7-WO-ABS	91001-KTN-900	E-3B

PART NO	BLOCK	PART NO	BLOCK
91002-KSP-911	E-7	93903-34120	F-1
91003-KSP-910	E-3B	93903-24380	F-1A
91004-KTN-900	E-3B	93903-22480	F-2-ABS
91008-KTN-900	E-1C	93903-22480	F-2-WO-ABS
91010-ABF-001	E-3B	93903-34310	F-10A
91022-KTN-900	E-9	93903-34380	F-11
91071-KVN-900	F-18A	93903-34220	F-12
91101-ABF-000	E-7	93903-25380	F-13
91102-ABF-000	E-7	93903-24380	F-20
91103-ABF-000	E-7	93903-25210	F-20
91202-KSP-911	E-3	93903-34380	F-20
91203-KSP-910	E-3B	94001-06000-0S	F-2-ABS
91204-MC7-003	E-3B	94001-06000-0S	F-2-WO-ABS
91212-422-006	F-8	94001-06000-0S	F-16
91216-KSP-910	E-3B	94001-05070-0S	F-22
91251-KPH-901	F-7-ABS	94002-08000-0S	F-3
91251-KPH-901	F-7-WO-ABS	94002-06000-0S	F-3B
91253-KSP-901	F-9	94002-08000-0S	F-8
91254-AAB-A02	F-6A	94030-08000	F-3
91254-KS6-003	F-18A	94050-12000	E-7
91255-AAB-A02	F-6A	94050-06000	F-1
91257-230-003	F-9	94050-06000	F-3B
91258-KWC-901	F-7-ABS	94050-06000	F-4-WO-ABS
91258-KWC-901	F-7-WO-ABS	94050-06000	F-4A-ABS
91303-KRM-840	E-3A	94050-06000	F-6A
91304-KRM-840	E-11A	94050-08000	F-8A
91305-KRM-840	E-3A	94050-06000	F-11
91305-KPH-900	E-5A	94050-06000	F-13A
91305-443-740	F-11	94050-10000	F-14
91306-MG3-000	E-2	94050-08000	F-15
91307-KRM-840	E-6	94050-05000	F-20
91309-425-003	E-5A	94050-08000	F-21
91309-MJ0-003	E-11A	94050-08000	F-21A
91320-MB0-000	E-5A	94050-06000	F-22
91352-KSP-900	F-9	94050-08000	F-25
91356-AAB-A02	F-6A	94050-10000	F-25
91455-MG8-000	F-3B	94050-08070	F-28
91509-GE2-760	F-1A	94050-08000	F-28
91540-AAN-410	F-24-ABS	94101-05000	F-13
91540-AAN-410	F-24-WO-ABS	94101-06000	F-14
91551-AAB-100	F-24-ABS	94101-06000	F-15
91551-AAB-100	F-24-WO-ABS	94101-05000	F-29
92000-06012-0A	F-29	94101-06000	F-29
92501-AAB-A00	F-15	94102-08000	F-15
92915-10025-0E	F-9	94102-08000	F-17A
93500-05016-1H	F-13	94103-10000	F-14
93500-05025-0G	F-13	94103-06000	F-17
93500-05020-0A	F-29	94103-06000	F-22
93600-05016-0G	E-1A	94109-12000	E-3B
93600-06040-0G	E-6	94201-20150	F-8
93600-04012-1GL	F-4-WO-ABS	94201-25250	F-11
93600-04012-1GL	F-4A-ABS	94201-16120	F-15
93600-04045-1G	F-8	94201-20150	F-15
93700-05012-0A	E-6	94201-20150	F-17
93891-05008-00	F-4A-ABS	94201-30300	F-18
93892-05020-07	F-3B	94251-08000	E-6
93892-05025-07	F-3B	94301-08140	E-1
93892-05045-07	F-3B	94301-10120	E-1A
93893-04012-17	F-4-WO-ABS	94301-10120	E-1B
93893-04012-17	F-4A-ABS	94301-08140	E-3
93893-04012-17	F-8	94301-08140	E-3A
93901-AAB-100	F-1	94301-08140	E-3B
93901-AAR-001	F-21	94301-08140	E-6
93901-AAR-001	F-21A	94305-20102	F-8

PART NO	BLOCK	PART NO	BLOCK
94510-16000	E-9	95701-06020-07	F-25A
94510-14000	E-10	95701-08025-07	F-25B
94601-15000	E-7	95801-06105-00	E-1A
95002-40800-08	E-11A	95801-10055-00	F-14
95002-50000	F-11	95801-08085-00	F-25
95002-02080	F-11A	95801-08095-00	F-28
95002-02100	F-11A	96001-06012-00	E-1
95002-02130	F-11A	96001-06022-00	E-2
95002-70000	F-11A	96001-06030-00	E-3
95002-02070	F-13A	96001-06040-00	E-3
95014-72102	F-18	96001-06030-00	E-3A
95014-71702	F-18	96001-06035-00	E-3A
95015-54000	F-8	96001-06045-00	E-3A
95018-58320	F-13	96001-06018-00	E-3B
95701-06016-00	E-1A	96001-06022-00	E-11A
95701-06014-00	E-1A	96001-06022-07	F-3B
95701-06006-00	E-2	96001-06022-07	F-4-WO-ABS
95701-06016-00	E-2	96001-06022-07	F-4A-ABS
95701-06016-00	E-3B	96001-06014-02	F-14
95701-06040-00	E-3B	96001-06012-00	F-17
95701-06045-00	E-3B	96001-06016-00	F-24-ABS
95701-06070-00	E-3B	96001-06020-00	F-24-ABS
95701-06014-00	E-3B	96001-06016-00	F-24-WO-ABS
95701-06022-00	E-5A	96001-06020-00	F-24-WO-ABS
95701-06020-00	E-5A	96100-62030-00	E-3B
95701-06016-00	E-9	96100-63010-00	E-3B
95701-06016-00	E-11A	96100-60030-00	E-4
95701-06012-00	F-1A	96140-63010-10	F-7-ABS
95701-06016-07	F-1A	96140-63010-10	F-7-WO-ABS
95701-06022-07	F-1A	96140-63020-10	F-9
95701-08020-00	F-1A	96150-60050-10	F-9
95701-06012-07	F-2-ABS	96211-08000	F-15
95701-06012-07	F-2-WO-ABS	96211-08000	F-17A
95701-06012-07	F-4-WO-ABS	96220-30085	E-10
95701-06020-00	F-4-WO-ABS	96600-06016-00	E-5
95701-06012-07	F-4A-ABS	96600-06022-00	E-5
95701-06020-07	F-4A-ABS	96600-05012-18	F-7-ABS
95701-06020-00	F-4A-ABS	96600-08025-00	F-23
95701-06018-00	F-4A-ABS	96700-08040-00	F-17A
95701-06020-00	F-4B	98200-32000	F-23
95701-06022-00	F-5	98200-31000	F-24-ABS
95701-06022-00	F-5A	98200-31500	F-24-ABS
95701-06020-07	F-8	98200-31000	F-24-WO-ABS
95701-06022-08	F-8	98200-31500	F-24-WO-ABS
95701-06020-00	F-8	99006-AAB-A00	F-26
95701-06012-00	F-10	99007-AAB-A00	F-26
95701-06020-00	F-10A		
95701-06012-00	F-11		
95701-08025-08	F-11		
95701-06012-07	F-13		
95701-06020-00	F-13		
95701-06030-00	F-13A		
95701-10025-00	F-15		
95701-06020-00	F-17		
95701-08040-07	F-18A		
95701-06012-07	F-18A		
95701-06016-00	F-20		
95701-06012-00	F-22		
95701-06025-08	F-22		
95701-05016-00	F-23		
95701-06014-18	F-24-ABS		
95701-06014-18	F-24-WO-ABS		
95701-06018-00	F-24B		
95701-06012-07	F-25		

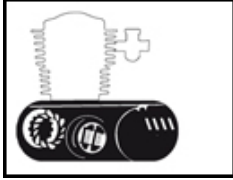
BLOCK INDEX - GROUP Engine - Hunk 200R (Aug, 2018).



E-1
E-1A
E-1B
E-1C
E-2
E-3
E-3A
E-3B

CYLN. & CYLN HEAD (CYLINDER HEAD COVER)
CYLN. & CYLN HEAD (CYLINDER HEAD)
CYLN. & CYLN HEAD (CYLINDER)
CYLN. & CYLN HEAD (CAM SHAFT / VALVE)
CAM SHAFT (CAM CHAIN TENSIONER)
CRANK CASE & COVER (RIGHT CRANK CASE COVER)
CRANK CASE & COVER (LEFT CRANK CASE COVER)
CRANK CASE & COVER (CRANK CASE)

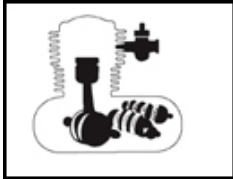
134
2
3
4
5
6
7
8



E-4
E-5
E-5A
E-6
E-7
E-8

CLUTCH
ELECTRICALS (AC GEN ASSY)
ELECTRICALS (STARTER MOTOR)
OIL PUMP ASSY.
CRANK SHAFT (CRANK SHAFT / PISTON)
TRANSMISSION

10
11
12
13
14
15

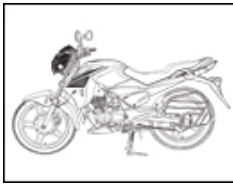


E-9
E-10
E-11
E-11A

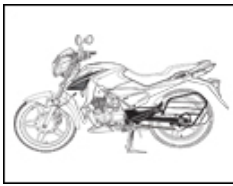
KICK STARTER (SPINDLE KICK STARTER)
GEAR SHIFT (DRUM GEAR SHIFT)
CARBURETTOR
EXHAUST (AIR FEED PIPE/INLET PIPE)

17
18
19
22

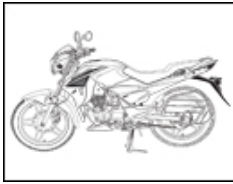
BLOCK INDEX - GROUP Frame - Hunk 200R (Aug, 2018).



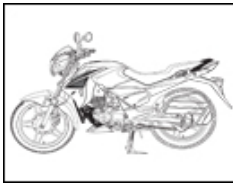
	F-1	HEAD LIGHT	23
	F-1A	FAIRING (FR. VISOR/COWL/STAY)	24
	F-2-ABS	SPEEDOMETER / CABLE	26
	F-2-WO-ABS	SPEEDOMETER / CABLE	27
	F-3	HANDLE LEVER / SWITCH/CABLES	28
	F-3A	MIRROR ASSY.	29
	F-3B	HANDLE & HNDL COVER HANDLE LEVER / SWITCH/CABLES)	30
	F-4-WO-ABS	FRONT BRAKE (MASTER CYLINDER) (W/O ABS)	31
	F-4A-ABS	FRONT BRAKE (MASTER CYLINDER) (ABS)	33
	F-4B	FRONT BRAKE (CALIPER ASSY 'R' FR.)	35
	F-5	FRONT FENDER (ABS)	36
	F-5A	FRONT FENDER (W/O ABS)	37
	F-6	FRONT CUSHION (STEERING STEM)	38
	F-6A	FRONT CUSHION	39
	F-7-ABS	FRONT WHEEL	40
	F-7-WO-ABS	FRONT WHEEL	41



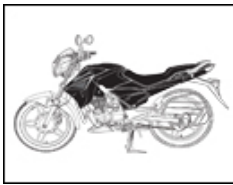
	F-8	REAR BRAKE (MASTER CYL.)	42
	F-8A	REAR BRAKE (CALIPER ASSY. REAR)	44
	F-9	RR WHEEL / FLANGE ASSY. DRIVEN	45
	F-10	SEAT ASSY.	47
	F-10A	BODY COVER (R./L. COWLS)	48
	F-11	FUEL TANK	49
	F-11A	FUEL TANK (CANISTER ASSY.)	51



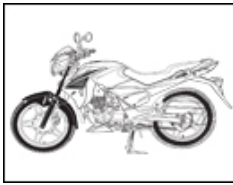
	F-12	SIDE COVER	52
	F-13	AIR CLEANER	53
	F-13A	AIR CLEANER (AIR SUCTION VALVE)	54
	F-14	MUFFLER	55
	F-15	STEP PILLION / HOLDER / BRKT.	56
	F-15A	STEP PILLION / HOLDER / BRKT. (PEDAL BRAKE)	58



	F-16	CHAIN DRIVE / ADJUSTER CHAIN	59
	F-17	PEDAL	60
	F-17A	KICK STARTER	61
	F-18	CHAIN CASE & STAND	62
	F-18A	SWINGARM / GUARD SAREE /CHAIN CASE	63
	F-19	CUSHION REAR	64
	F-20	REAR FENDER	65



	F-21	FRONT WINKER	66
	F-21A	REAR WINKER	67
	F-22	TAIL LIGHT	68
	F-23	SWITCH ASSY ./ RELAY / LOCK ASSY. / KEY BLANK	69



	F-24-ABS	ELECTRICALS (WIRE HARNESS/START CABLES)	70
	F-24-WO-ABS	ELECTRICALS (WIRE HARNESS/START CABLES)	71
	F-24B	BATTERY ASSY.	72
	F-25	FRAME BODY	73
	F-25A	HORN ASSY.	74
	F-25B	GRIP REAR	75
	F-26	TOOLS	76
	F-27-ABS	STRIPE/ MARKS	77
	F-27-WO-ABS	STRIPE/ MARKS	85
	F-28	GUARD FRONT	91
	F-29	FR./RR. NUMBER PLATE (OPTIONAL)	92
	F-30	CAUTION LABEL	93