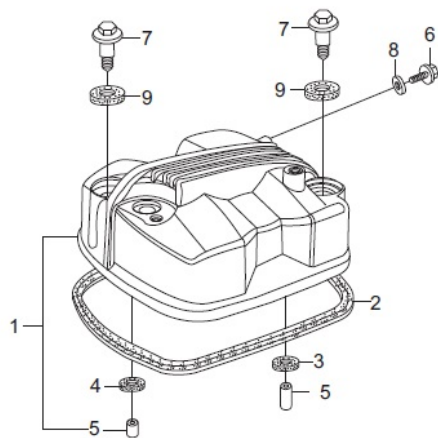


PARTS CATALOGUE

Hunk (Feb, 2017)

E-1 : CYLINDER HEAD COVER



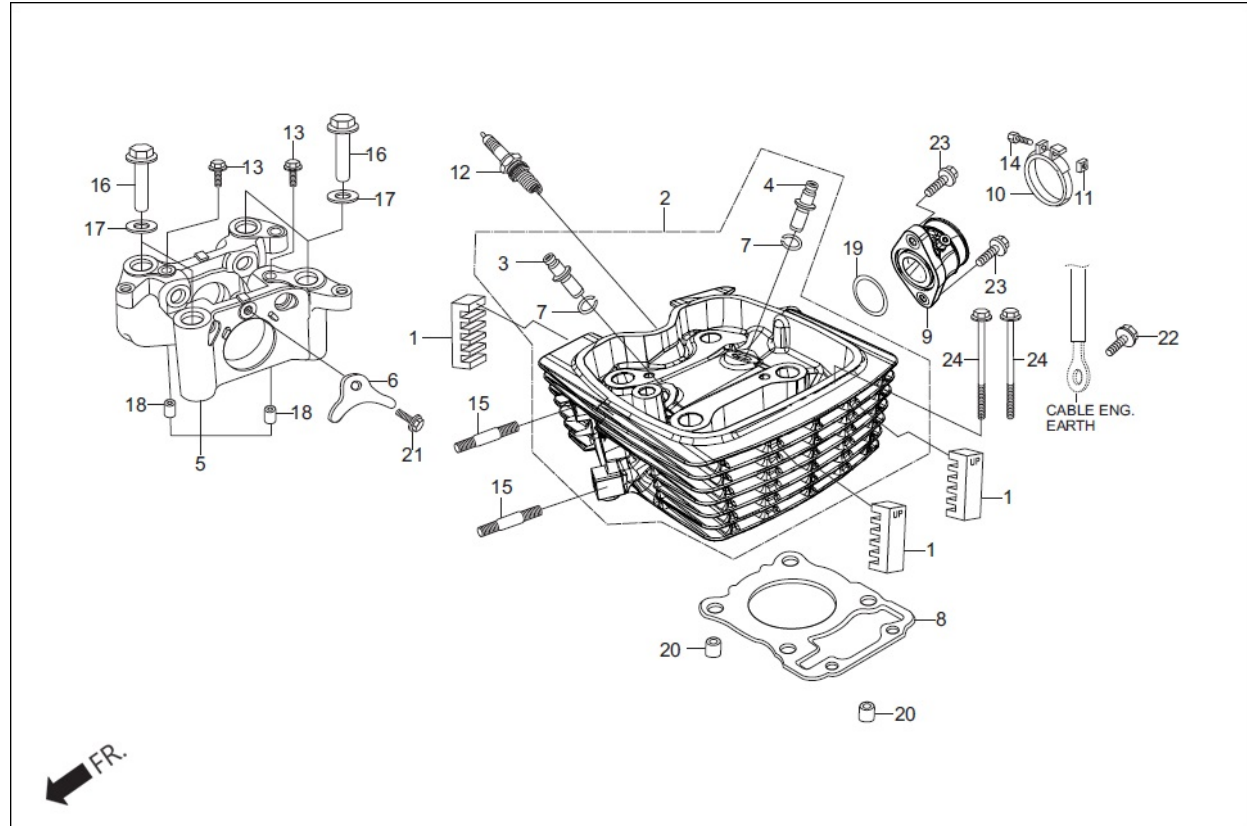
FR. 

E-1 : CYLINDER HEAD COVER

Group Number: E-1 **Model ::** Hunk (Feb, 2017)

Ref No.	Part Number	Description	Req.
1	12311-AAM-100	COVER CYLINDER HEAD	1
	12311-AAM-100	COVER CYLINDER HEAD	1
2	12391-KRM-840	GASKET, HEAD COVER	1
	12391-KRM-840	GASKET, HEAD COVER	1
3	12396-KRM-840	GASKET,B, HEAD COVER	1
	12396-KRM-840	GASKET,B, HEAD COVER	1
4	12397-KSP-910	GASKET,CYL. HEAD COVER	1
	12397-KSP-910	GASKET,CYL. HEAD COVER	1
5	94301-08140	DOWEL PIN, 8X14	2
	94301-08140	DOWEL PIN, 8X14	2
6	96001-06012-00	BOLT,FLANGE,SH,.6 X 12	1
	96001-06012-00	BOLT,FLANGE,SH,.6 X 12	1
7	90003-KFG-000	BOLT, L COVER	2
	90003-KFG-000	BOLT, L COVER	2
8	90463-KRM-840	WASHER SEALING 6.2 MM	1
	90463-KRM-840	WASHER SEALING 6.2 MM	1
9	90543-MV9-670	RUBBER, MOUNT	2
	90543-MV9-670	RUBBER, MOUNT	2

E-1A : CYLINDER HEAD



E-1A : CYLINDER HEAD

Group Number: E-1A Model :: Hunk (Feb, 2017)

Ref No.	Part Number	Description	Req.
1	12195-KVE-900	RUBBER , INSERT	3
	12195-KVE-900	RUBBER , INSERT	3
2	12200-AAB-700	HEAD COMP., CYLINDER	1
	12200-AAB-700	HEAD COMP., CYLINDER	1
3	12204-KRM-305	GUIDE VALVE, (O. S.)	1
4	12205-KSP-305	GUIDE, INLET, VALVE (O.S.)	1
5	12210-KSP-910	HOLDER COMP., CAM SHAFT	1
	12210-KSP-910	HOLDER COMP., CAM SHAFT	1
6	12212-KRM-840	PLATE, STOPPER	1
	12212-KRM-840	PLATE, STOPPER	1
7	12213-KSP-910	CLIP VALVE GUIDE	2
8	12251-KRM-B41	GASKET, CYLINDER HEAD	1
	12251-KRM-B41	GASKET, CYLINDER HEAD	1
9	16210-AAB-701	INSULATOR COMP., CARB	1
	16210-AAB-701	INSULATOR COMP., CARB	1
10	16217-KSP-910	BAND INSULATOR	1
	16217-KSP-910	BAND INSULATOR	1
11	16222-KSP-910	NUT, SQUARE, 5 MM	1
	16222-KSP-910	NUT, SQUARE, 5 MM	1
12	31916-KRM-84099	SPARK PLUG	1

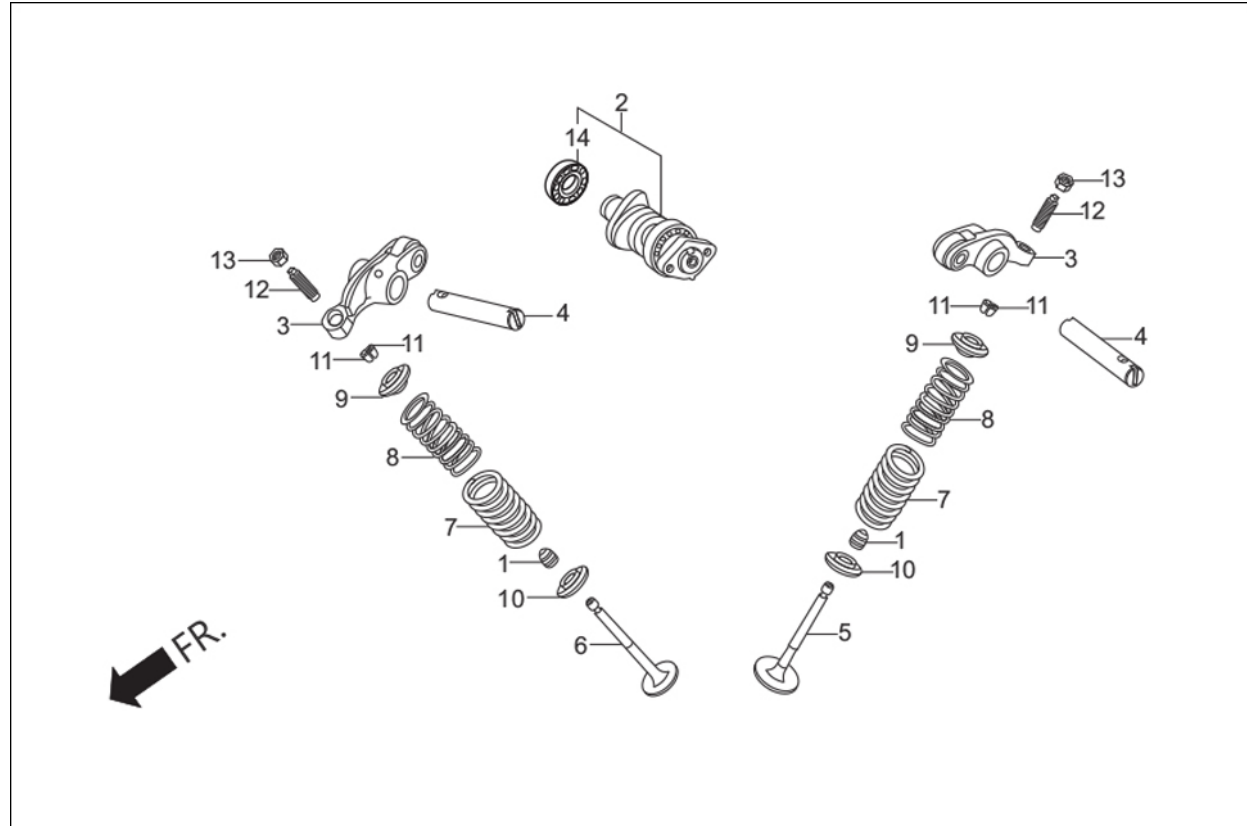
E-1A : CYLINDER HEAD

	31916-KRM-84099	SPARK PLUG	1
13	90002-KRM-840	BOLT, FLANGE 5X14	2
	90002-KRM-840	BOLT, FLANGE 5X14	2
14	90006-MEE-000	BOLT RECESSED 5 X 30	1
	90006-MEE-000	BOLT RECESSED 5 X 30	1
15	90040-KSP-910	BOLT STUD 8 X 22	2
	90040-KSP-910	BOLT STUD 8 X 22	2
16	90306-KRM-840	NUT CYLINDER HEAD	4
	90306-KRM-840	NUT CYLINDER HEAD	4
17	90404-KPT-A00	WASHER PLAIN 12MM	4
	90404-KPT-A00	WASHER PLAIN 12MM	4
18	90704-KRM-840	DOWEL PIN 6 X10	2
	90704-KRM-840	DOWEL PIN 6 X10	2
19	91304-KRM-840	O-RING 33.5 X 3.0	1
	91304-KRM-840	O-RING 33.5 X 3.0	1
20	94301-10120	DOWEL PIN, 10X12	2
	94301-10120	DOWEL PIN, 10X12	2
21	95701-06014-00	BOLT, FLANGE, 6 X 14	1
	95701-06014-00	BOLT, FLANGE, 6 X 14	1
22	95701-06016-00	BOLT, FLANGE, 6X16	1
	95701-06016-00	BOLT, FLANGE, 6X16	1
23	95701-06022-00	BOLT, FLANGE, SH. 6 X 22	2

E-1A : CYLINDER HEAD

	95701-06022-00	BOLT, FLANGE, SH. 6 X 22	2
24	95801-06105-00	BOLT FLANGE 6 X 105	2
	95801-06105-00	BOLT FLANGE 6 X 105	2

E-2 : CAM SHAFT / VALVE



E-2 : CAM SHAFT / VALVE

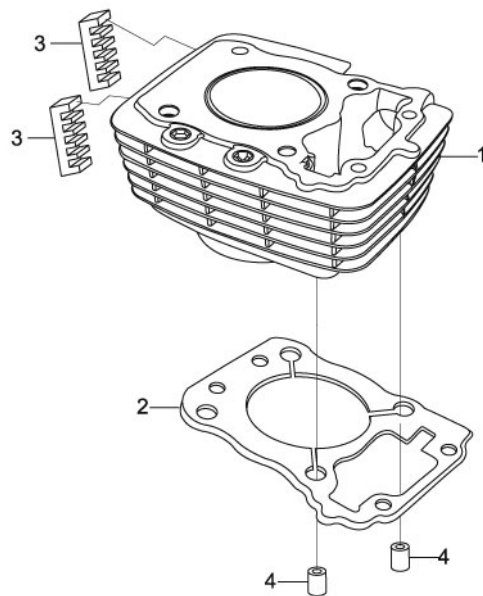
Group Number: E-2 Model :: Hunk (Feb, 2017)

Ref No.	Part Number	Description	Req.
1	12209-GB4-685	SEAL, VALVE STEM	2
	12209-GB4-685	SEAL, VALVE STEM	2
2	14100-AAB-100	SHAFT COMP CAM	1
	14100-AAB-100	SHAFT COMP CAM	1
3	14430-KSP-910	ARM COMP., VALVE ROCKER	2
	14430-KSP-910	ARM COMP., VALVE ROCKER	2
4	14451-KRM-840	SHAFT, ROCKER ARM	2
	14451-KRM-840	SHAFT, ROCKER ARM	2
5	14711-KSP-910	VALVE, INLET	1
	14711-KSP-910	VALVE, INLET	1
6	14721-KVE-900	VALVE, EXH.	1
	14721-KVE-900	VALVE, EXH.	1
7	14751-AAB-100	SPRING VALVE OUTER	2
	14751-AAB-100	SPRING VALVE OUTER	2
8	14761-AAB-100	SPRING VALVE INNER	2
	14761-AAB-100	SPRING VALVE INNER	2
9	14771-KSP-910	RETAINER, VALVE SPRING	2
	14771-KSP-910	RETAINER, VALVE SPRING	2
10	14777-KSP-910	SEAT, VALVE SPRING	2
	14777-KSP-910	SEAT, VALVE SPRING	2

E-2 : CAM SHAFT / VALVE

11	14781-MA6-000	COTTER, VALVE	4
	14781-MA6-000	COTTER, VALVE	4
12	90012-KK3-830	SCREW, TAPPET ADJUSTING	2
	90012-KK3-830	SCREW, TAPPET ADJUSTING	2
13	90206-250-000	NUT, TAPPET ADJUSTING	2
	90206-250-000	NUT, TAPPET ADJUSTING	2
14	91008-KTN-900	BRG. BALL RADIAL, 12 X 28 X 8	1

E-3 : CYLINDER



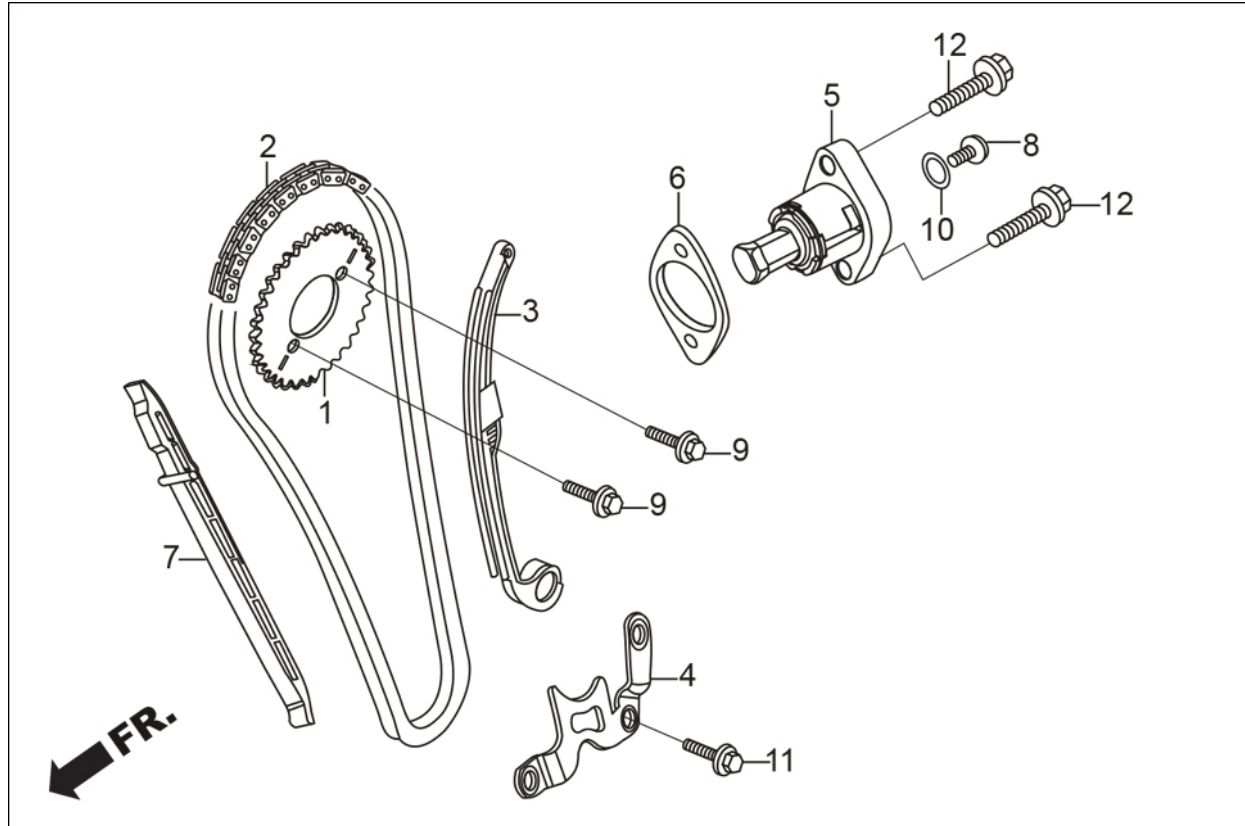
FR. ←

E-3 : CYLINDER

Group Number: E-3 **Model ::** Hunk (Feb, 2017)

Ref No.	Part Number	Description	Req.
1	12100-KVE-900	CYLINDER COMP.,	1
	12100-KVE-900	CYLINDER COMP.,	1
2	12191-KWK-900	GASKET, CYLINDER	1
	12191-KWK-900	GASKET, CYLINDER	1
3	12195-KVE-900	RUBBER , INSERT	2
	12195-KVE-900	RUBBER , INSERT	2
4	94301-10120	DOWEL PIN, 10X12	2
	94301-10120	DOWEL PIN, 10X12	2

E-4 : CAM CHAIN TENSIONER



E-4 : CAM CHAIN TENSIONER

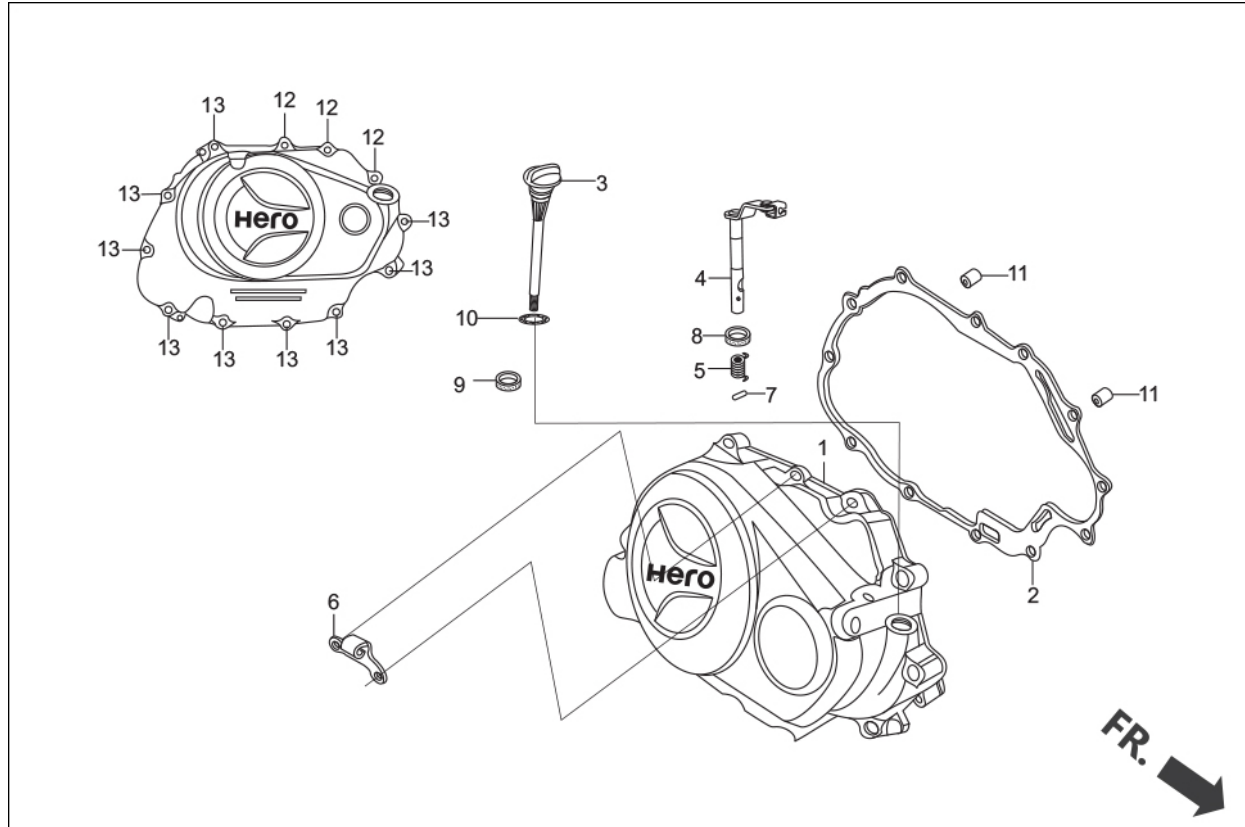
Group Number: E-4 **Model ::** Hunk (Feb, 2017)

Ref No.	Part Number	Description	Req.
1	14321-KRM-840	SPROCKET, CAM, (34T)	1
	14321-KRM-840	SPROCKET, CAM, (34T)	1
2	14401-KCW-851	CHAIN, CAM	1
	14401-KCW-851	CHAIN, CAM	1
3	14510-KVE-900	TENSIONER ASSY.,CAM CHAIN	1
	14510-KVE-900	TENSIONER ASSY.,CAM CHAIN	1
4	14515-KRM-840	PLATE, TENSIONER SET	1
	14515-KRM-840	PLATE, TENSIONER SET	1
5	14520-AAB-A0099	LIFTER ASSY TENSIONER	1
	14520-AAB-A0099	LIFTER ASSY TENSIONER	1
6	14560-KSP-910	GASKET, TENSIONER LIFTER	1
	14560-KSP-910	GASKET, TENSIONER LIFTER	1
7	14610-KSP-910	GUIDE CAM CHAIN	1
	14610-KSP-910	GUIDE CAM CHAIN	1
8	90005-KY7-000	SCREW, PAN, 6X6	1
	90005-KY7-000	SCREW, PAN, 6X6	1
9	90083-KRM-840	BOLT, KNOCK, 5 MM	2
	90083-KRM-840	BOLT, KNOCK, 5 MM	2
10	91306-MG3-000	O- RING, 1.5X9.5	1
	91306-MG3-000	O- RING, 1.5X9.5	1

E-4 : CAM CHAIN TENSIONER

11	95701-06016-00	BOLT, FLANGE, 6X16	1
	95701-06016-00	BOLT, FLANGE, 6X16	1
12	96001-06022-00	BOLT, FLANGE, SH. 6 X 22	2
	96001-06022-00	BOLT, FLANGE, SH. 6 X 22	2

E-5 : RIGHT CRANK CASE COVER



E-5 : RIGHT CRANK CASE COVER

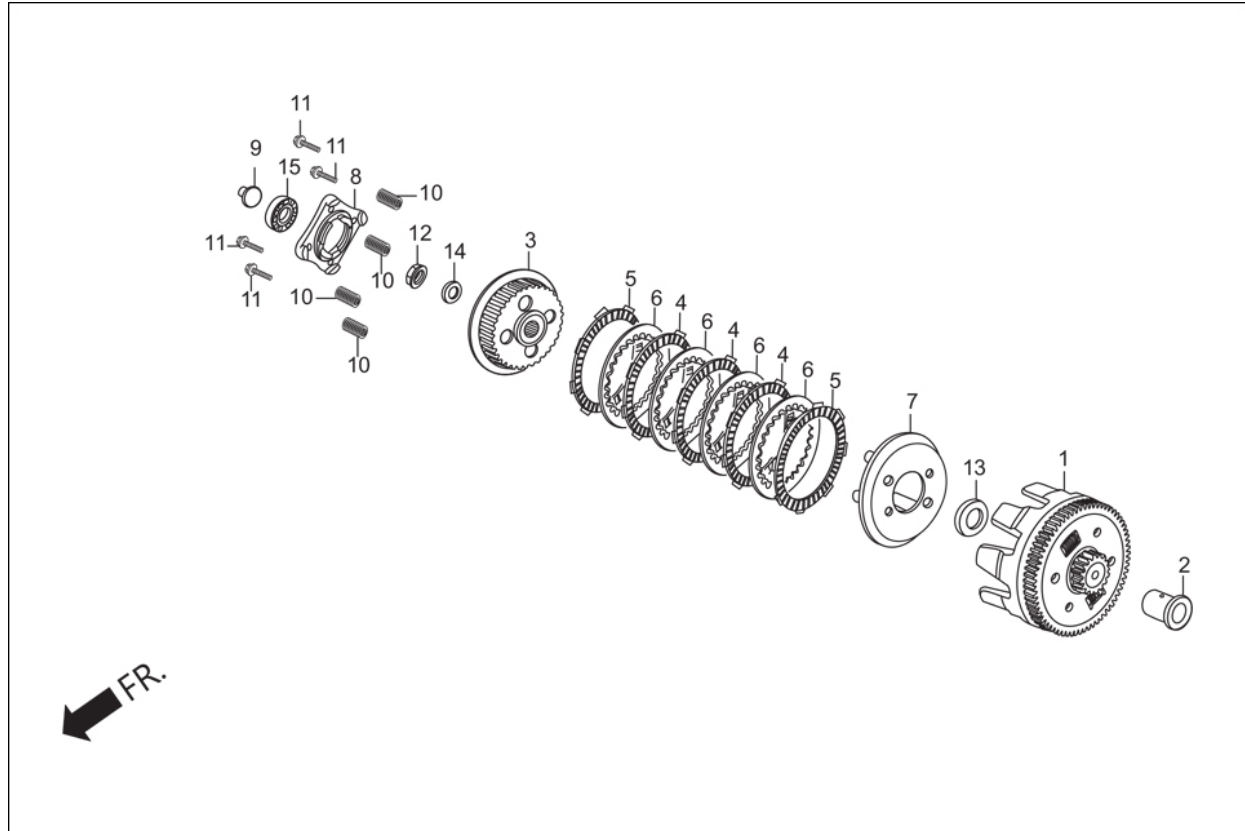
Group Number: E-5 Model :: Hunk (Feb, 2017)

Ref No.	Part Number	Description	Req.
1	11330-AAK-100	COVER COMP. R CRANK CASE	1
	11330-AAK-100	COVER COMP. R CRANK CASE	1
2	11393-KWK-900	GASKET, RIGHT COVER	1
	11393-KWK-900	GASKET, RIGHT COVER	1
3	15650-KVN-970	GAUGE,OIL LEVEL	1
	15650-KVN-970	GAUGE,OIL LEVEL	1
4	22810-KRM-B00	LEVER COMP CLUTCH	1
	22810-KRM-B00	LEVER COMP CLUTCH	1
5	22815-428-000	SPRING, CLUTCH LEVER	1
	22815-428-000	SPRING, CLUTCH LEVER	1
6	22821-KRM-840	RECEIVER, CLUTCH CABLE	1
	22821-KRM-840	RECEIVER, CLUTCH CABLE	1
7	90701-KFN-850	PIN, SPRING, 3 X 10	1
	90701-KFN-850	PIN, SPRING, 3 X 10	1
8	91202-KSP-911	OIL SEAL, 12 X 18 X 4	1
	91202-KSP-911	OIL SEAL, 12 X 18 X 4	1
9	91204-MC7-003	OIL SEAL, 16 X 28 X 7	1
	91204-MC7-003	OIL SEAL, 16 X 28 X 7	1
10	91307-KRM-840	O-RING, 18 X 3	1
	91307-KRM-840	O-RING, 18 X 3	1

E-5 : RIGHT CRANK CASE COVER

11	94301-08140	DOWEL PIN, 8X14	2
	94301-08140	DOWEL PIN, 8X14	2
12	96001-06030-00	BOLT, FLANGE, SH., 6 X 30	3
	96001-06030-00	BOLT, FLANGE, SH., 6 X 30	3
13	96001-06040-00	BOLT, FLANGE, SH. 6 X 40	9
	96001-06040-00	BOLT, FLANGE, SH. 6 X 40	9

E-6 : CLUTCH



E-6 : CLUTCH

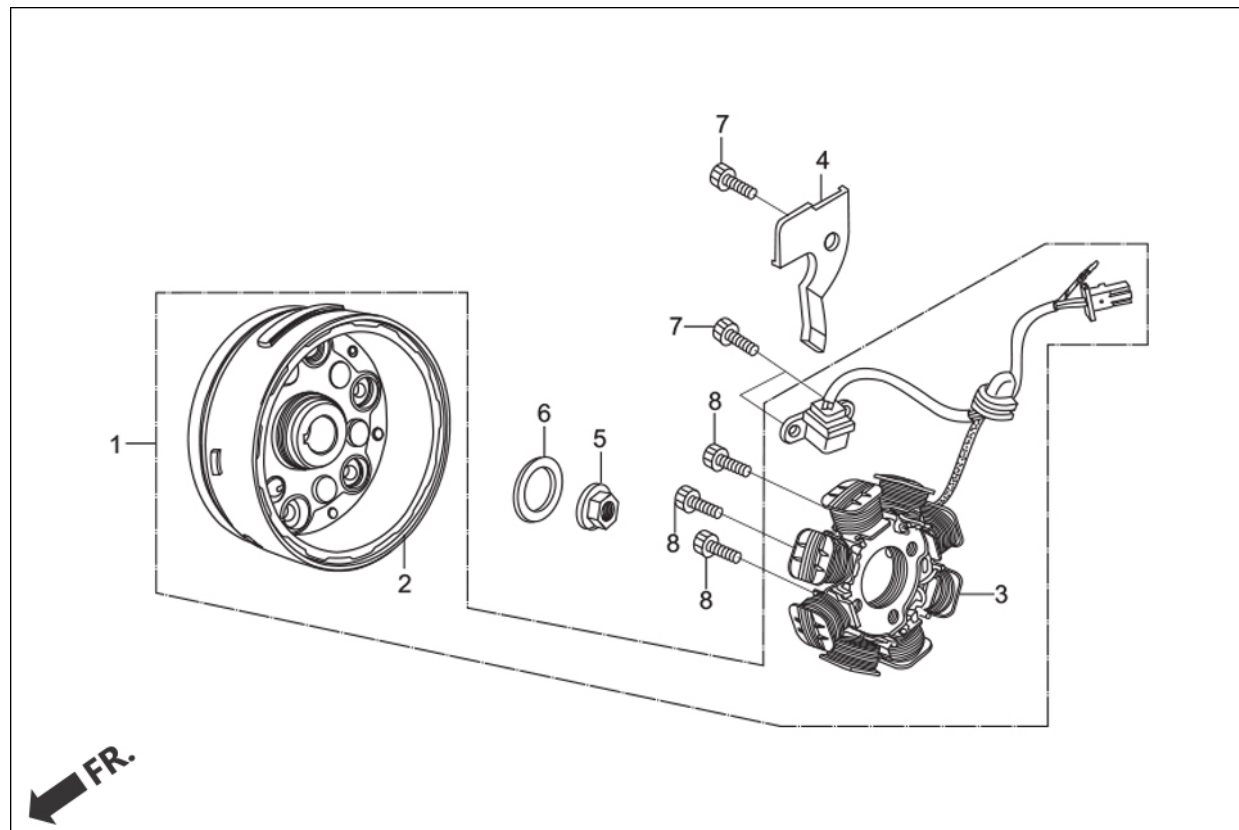
Group Number: E-6 **Model ::** Hunk (Feb, 2017)

Ref No.	Part Number	Description	Req.
1	22100-KTN-900	OUTER COMP., CLUTCH	1
	22100-KTN-900	OUTER COMP., CLUTCH	1
2	22115-KSP-910	GUIDE, CLUTCH OUTER	1
	22115-KSP-910	GUIDE, CLUTCH OUTER	1
3	22120-KRM-840	CENTRE CLUTCH	1
	22120-KRM-840	CENTRE CLUTCH	1
4	22201-KPM-850	DISK,CLUTCH FRICTION,4 X 8 X 45	3
	22201-KPM-850	DISK,CLUTCH FRICTION,4 X 8 X 45	3
5	22201-MR8-000	DISC CLUTCH FRICTION	2
	22201-MR8-000	DISC CLUTCH FRICTION	2
6	22321-KPS-900	PLATE, CLUTCH	4
	22321-KPS-900	PLATE, CLUTCH	4
7	22355-KRM-840	PLATE, CLUTCH PRESSURE	1
	22355-KRM-840	PLATE, CLUTCH PRESSURE	1
8	22361-KPK-900	PLATE,CLUTCH LIFTER	1
	22361-KPK-900	PLATE,CLUTCH LIFTER	1
9	22366-KSP-910	ROD, CLUTCH LIFTER	1
	22366-KSP-910	ROD, CLUTCH LIFTER	1
10	22401-KRM-840	SPRING CLUTCH	4
	22401-KRM-840	SPRING CLUTCH	4

E-6 : CLUTCH

11	90008-KRM-840	BOLT, FLANGE 6 X 25	4
	90008-KRM-840	BOLT, FLANGE 6 X 25	4
12	90202-KRM-840	NUT SPL FLANGE 14MM	1
	90202-KRM-840	NUT SPL FLANGE 14MM	1
13	90401-KRM-840	WASHER PLAIN 17MM	1
	90401-KRM-840	WASHER PLAIN 17MM	1
14	90501-KPT-A00	WASHER 14.1X29X2.8	1
	90501-KPT-A00	WASHER 14.1X29X2.8	1
15	96100-60030-00	BEARING, RADIAL BALL, 6003	1
	96100-60030-00	BEARING, RADIAL BALL, 6003	1

E-7 : A. C. GEN. ASSY.

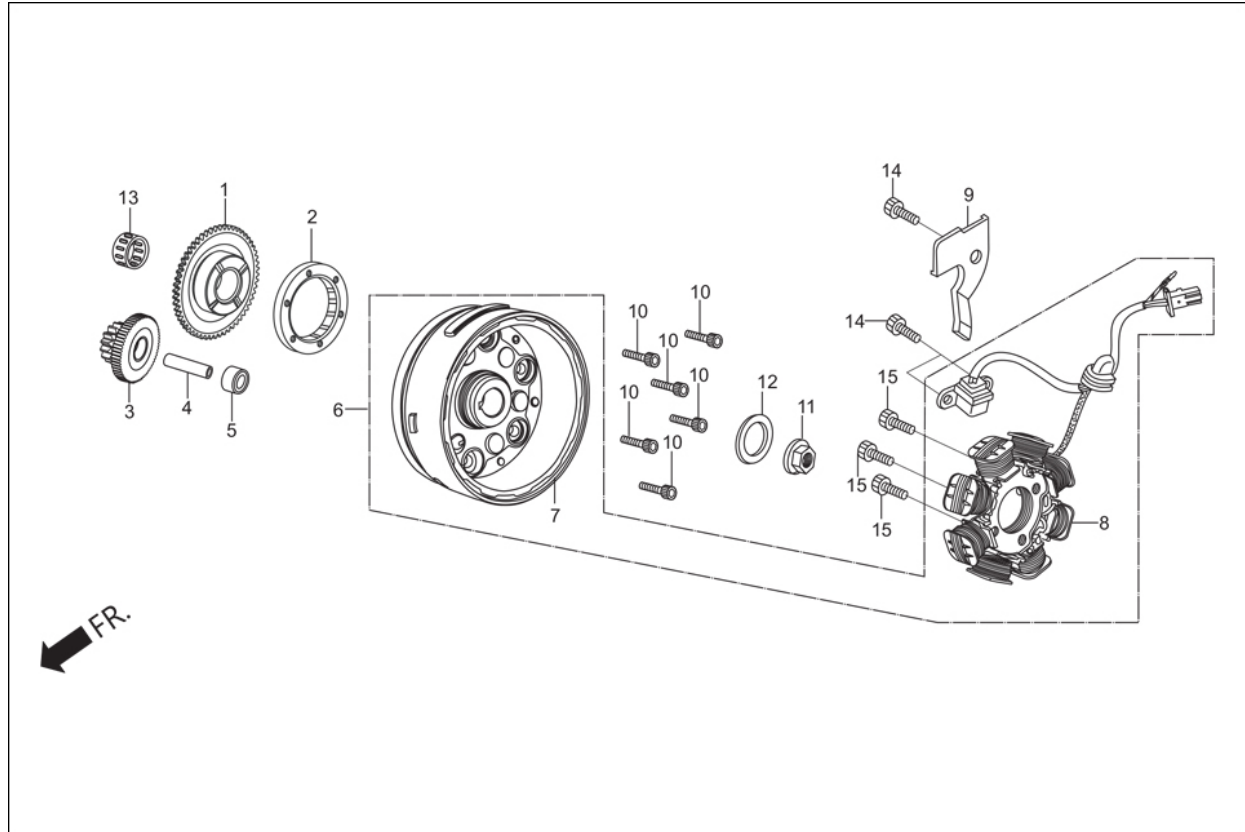


E-7 : A. C. GEN. ASSY.

Group Number: E-7 Model :: Hunk (Feb, 2017)

Ref No.	Part Number	Description	Req.
1	31100-KSP-B01	AC GEN ASSY	1
2	31110-KSP-B01	FLYWHEEL COMP	1
	31110-KSP-B01	FLYWHEEL COMP	1
3	31120-KSP-B01	STATOR COMP	1
	31120-KSP-B01	STATOR COMP	1
4	32111-KSP-910	CLAMPER, ACG CORD	1
	32111-KSP-910	CLAMPER, ACG CORD	1
5	90201-KRM-840	NUT, FLANGE, 14 MM	1
	90201-KRM-840	NUT, FLANGE, 14 MM	1
6	90501-KPT-A00	WASHER 14.1X29X2.8	1
	90501-KPT-A00	WASHER 14.1X29X2.8	1
7	96600-06016-00	BOLT, SOCKET, 6 X 16	3
	96600-06016-00	BOLT, SOCKET, 6 X 16	3
8	96600-06022-00	SOCKET BOLT 6X22	3
	96600-06022-00	SOCKET BOLT 6X22	3

E-7A : A. C. GEN. ASSY.



E-7A : A. C. GEN. ASSY.

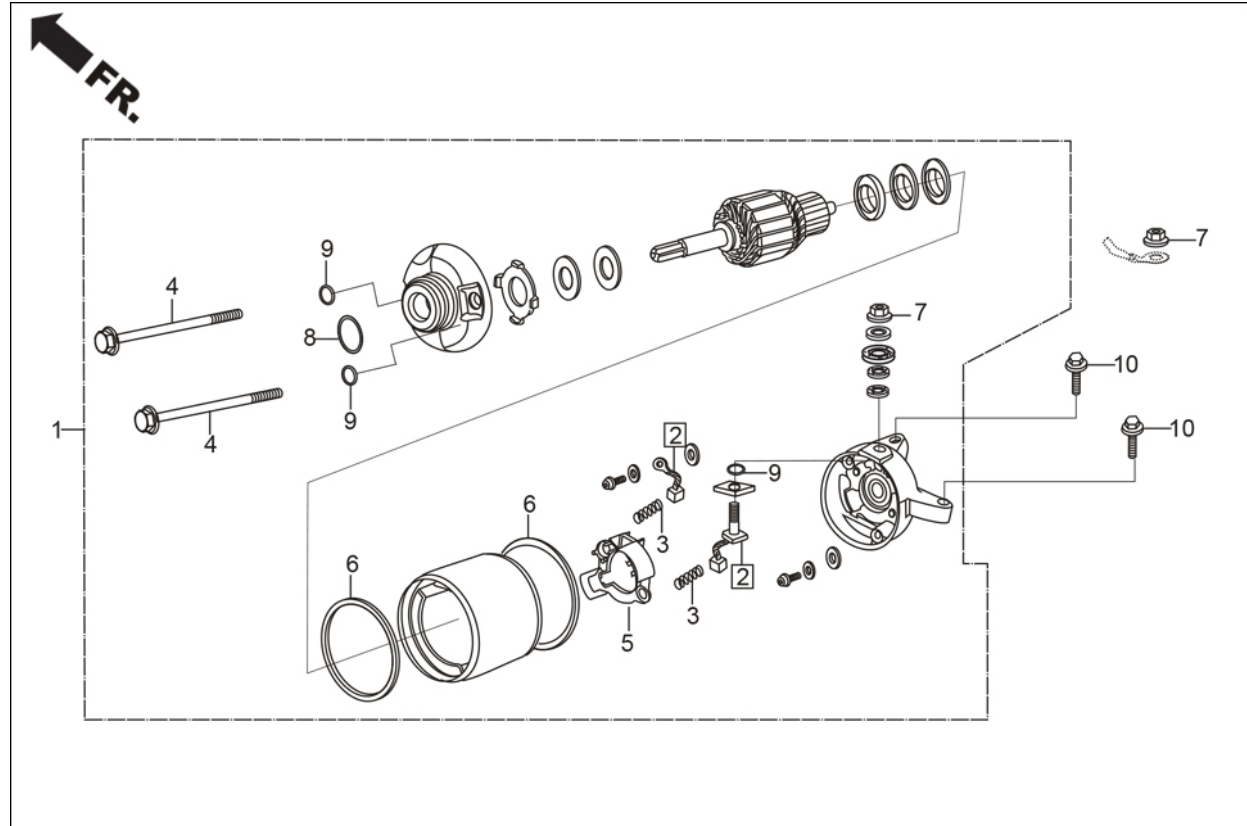
Group Number: E-7A Model :: Hunk (Feb, 2017)

Ref No.	Part Number	Description	Req.
1	28110-KTN-900	GEAR COMP., STARTER DRIVEN	1
	28110-KTN-900	GEAR COMP., STARTER DRIVEN	1
2	28120-KTR-A00A	ASSY. ONEWAY CLUTCH	1
	28120-KTR-A00A	ASSY. ONEWAY CLUTCH	1
3	28131-KTN-900	GEAR STARTER REDUCTION	1
	28131-KTN-900	GEAR STARTER REDUCTION	1
4	28132-KN6-930	SHAFT, REDUCTION GEAR	1
	28132-KN6-930	SHAFT, REDUCTION GEAR	1
5	28133-KRM-850	COLLAR, STARTER REDUCTION	1
	28133-KRM-850	COLLAR, STARTER REDUCTION	1
6	31100-KSP-B01	AC GEN ASSY	1
7	31110-KSP-B01	FLYWHEEL COMP	1
	31110-KSP-B01	FLYWHEEL COMP	1
8	31120-KSP-B01	STATOR COMP	1
	31120-KSP-B01	STATOR COMP	1
9	32111-KSP-910	CLAMPER, ACG CORD	1
	32111-KSP-910	CLAMPER, ACG CORD	1
10	90085-KTC-920	BOLT, SOCKET, 6 X 14	6
	90085-KTC-920	BOLT, SOCKET, 6 X 14	6
11	90201-KRM-840	NUT, FLANGE, 14 MM	1

E-7A : A. C. GEN. ASSY.

	90201-KRM-840	NUT, FLANGE, 14 MM	1
12	90501-KPT-A00	WASHER 14.1X29X2.8	1
	90501-KPT-A00	WASHER 14.1X29X2.8	1
13	91022-KTN-900	BEARING NEEDEL, 22 X 29 X 16.8	1
	91022-KTN-900	BEARING NEEDEL, 22 X 29 X 16.8	1
14	96600-06016-00	BOLT, SOCKET, 6 X 16	3
	96600-06016-00	BOLT, SOCKET, 6 X 16	3
15	96600-06022-00	SOCKET BOLT 6X22	3
	96600-06022-00	SOCKET BOLT 6X22	3

E-7B : STARTER MOTOR

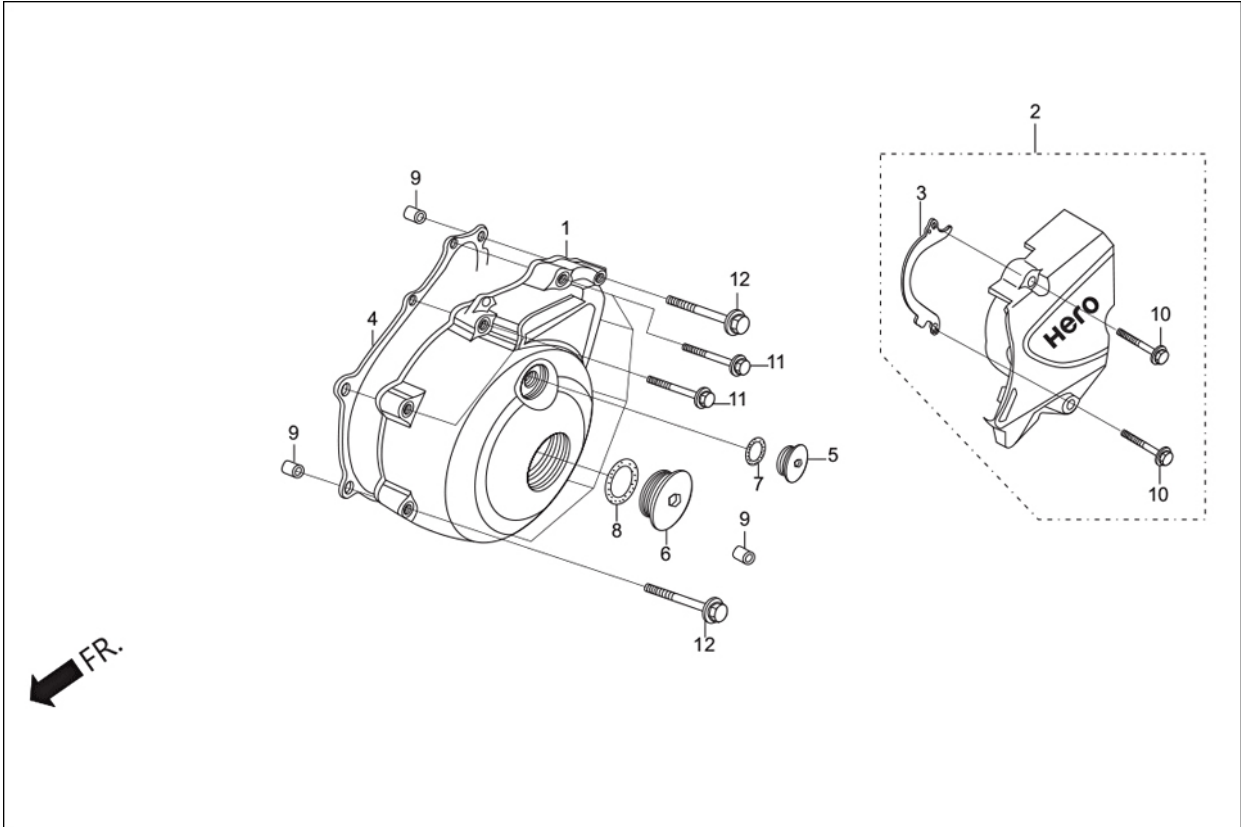


E-7B : STARTER MOTOR

Group Number: E-7B Model :: Hunk (Feb, 2017)

Ref No.	Part Number	Description	Req.
1	31200-KSP-901	MOTOR ASSY., STARTER	1
	31200-KSP-901	MOTOR ASSY., STARTER	1
2	31201-KPT-A01	BRUSH, TERMINAL SET	2
3	31204-KG8-004	BRUSH, SPRING	2
4	31205-KTC-921	BOLT, SET	2
5	31206-KPH-881	BRUSH, HOLDER SET	1
6	31207-MBE-008	RING	2
7	90071-MB0-000	NUT, WASHER, 6 MM	2
8	91309-425-003	O RING 24.4X3.1	1
9	91320-MB0-000	O RING	3
10	95701-06022-00	BOLT, FLANGE, SH. 6 X 22	2
	95701-06022-00	BOLT, FLANGE, SH. 6 X 22	2

E-7C : LEFT CRANK CASE COVER



E-7C : LEFT CRANK CASE COVER

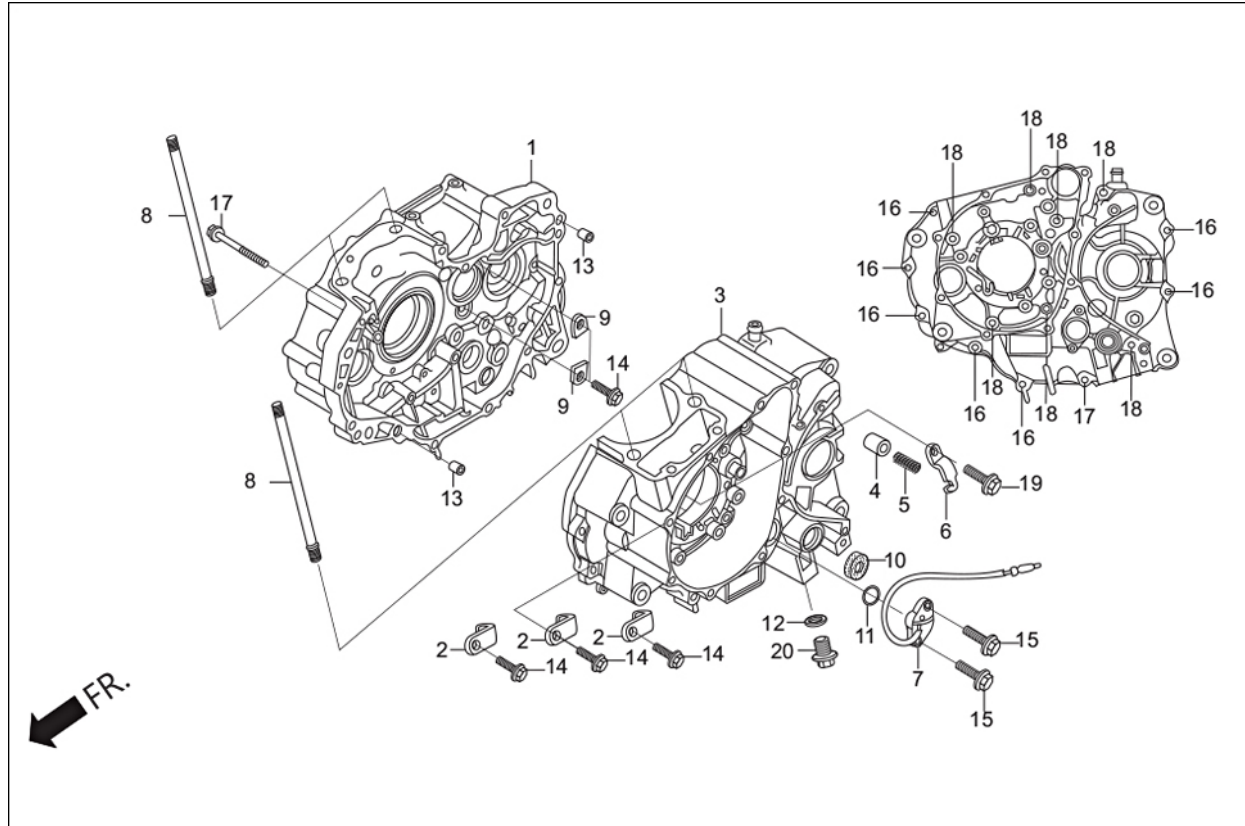
Group Number: E-7C Model :: Hunk (Feb, 2017)

Ref No.	Part Number	Description	Req.
1	11341-KVN-900	COVER L CRANK CASE(MGM)	1
	11341-KVN-900	COVER L CRANK CASE(MGM)	1
2	11360-AAK-100	COVER COMP., LREAR	1
	11360-AAK-100	COVER COMP., LREAR	1
3	11365-KSP-910	GUIDE DRIVE CHAIN	1
	11365-KSP-910	GUIDE DRIVE CHAIN	1
4	11395-KWK-900	GASKET, L COVER	1
	11395-KWK-900	GASKET, L COVER	1
5	90084-KVE-930	CAP 14 MM	1
	90084-KVE-930	CAP 14 MM	1
6	90087-KVE-900	CAP, 32 MM	1
	90087-KVE-900	CAP, 32 MM	1
7	91303-KRM-840	O-RING 13.8 X 2.5	1
	91303-KRM-840	O-RING 13.8 X 2.5	1
8	91305-KRM-840	O-RING 31.7 X 2.4	1
	91305-KRM-840	O-RING 31.7 X 2.4	1
9	94301-08140	DOWEL PIN, 8X14	2
	94301-08140	DOWEL PIN, 8X14	2
10	96001-06030-00	BOLT, FLANGE, SH., 6 X 30	2
	96001-06030-00	BOLT, FLANGE, SH., 6 X 30	2

E-7C : LEFT CRANK CASE COVER

11	96001-06035-00	BOLT, FLANGE, SH. 6 X 35	7
	96001-06035-00	BOLT, FLANGE, SH. 6 X 35	7
12	96001-06045-00	BOLT, FLANGE, SH. 6 X 45	2
	96001-06045-00	BOLT, FLANGE, SH. 6 X 45	2

E-8 : CRANK CASE



E-8 : CRANK CASE

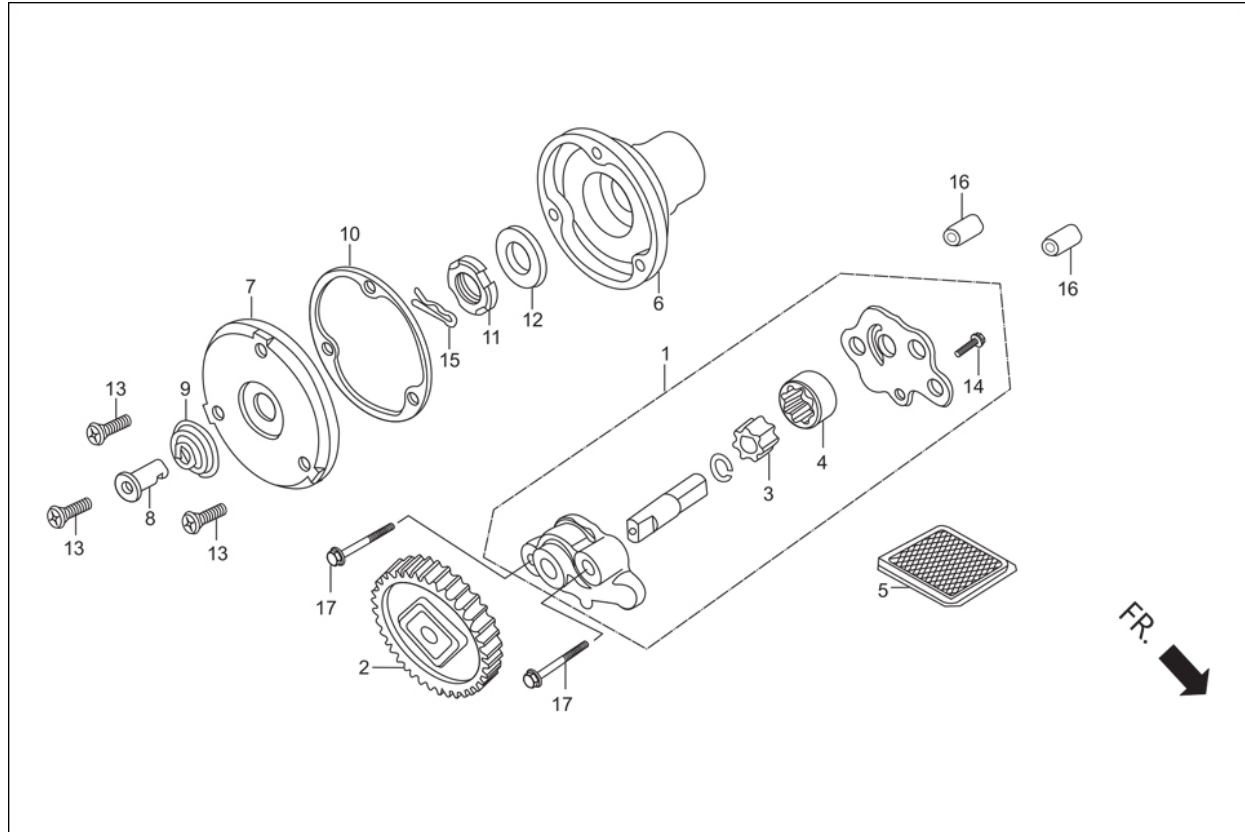
Group Number: E-8 **Model ::** Hunk (Feb, 2017)

Ref No.	Part Number	Description	Req.
1	11100-KVE-900	CRANK CASE COMP., RIGHT	1
	11100-KVE-900	CRANK CASE COMP., RIGHT	1
2	11108-KTN-900	PLATE L BRG SET	3
	11108-KTN-900	PLATE L BRG SET	3
3	11200-KVE-900	CRANK CASE COMP., LEFT	1
	11200-KVE-900	CRANK CASE COMP., LEFT	1
4	11215-KSP-910	PLUG BRG PUSH	1
	11215-KSP-910	PLUG BRG PUSH	1
5	11216-KRM-840	SPRING BRG PUSH	1
	11216-KRM-840	SPRING BRG PUSH	1
6	11217-KRM-840	PLATE BRG PUSH	1
	11217-KRM-840	PLATE BRG PUSH	1
7	35759-KVN-900	CONTACT ASSY. NEUTRAL SWITCH	1
	35759-KVN-900	CONTACT ASSY. NEUTRAL SWITCH	1
8	90031-KSP-910	BOLT STUD CYLN 8 X 140	4
	90031-KSP-910	BOLT STUD CYLN 8 X 140	4
9	90441-KRM-840	PLATE, BRG. HOLD	2
	90441-KRM-840	PLATE, BRG. HOLD	2
10	91203-KSP-910	OIL SEAL, 14 X 22 X 5	1
	91203-KSP-910	OIL SEAL, 14 X 22 X 5	1

E-8 : CRANK CASE

11	91305-KPH-900	O-RING,19.4 X 2.3	1
	91305-KPH-900	O-RING,19.4 X 2.3	1
12	94109-12000	WASHER, PLUG, DRAIN	1
	94109-12000	WASHER, PLUG, DRAIN	1
13	94301-08140	DOWEL PIN, 8X14	2
	94301-08140	DOWEL PIN, 8X14	2
14	95701-06016-00	BOLT, FLANGE, 6X16	5
	95701-06016-00	BOLT, FLANGE, 6X16	5
15	95701-06020-00	BOLT, FLANGE, 6X20	2
	95701-06020-00	BOLT, FLANGE, 6X20	2
16	95701-06040-00	BOLT FLANGE 6X40	7
	95701-06040-00	BOLT FLANGE 6X40	7
17	95701-06045-00	BOLT, FLANGE, SH. 6 X45	1
	95701-06045-00	BOLT, FLANGE, SH. 6 X45	1
18	95701-06070-00	BOLT, FLANGE, SH. 6 X70	7
	95701-06070-00	BOLT, FLANGE, SH. 6 X70	7
19	96001-06018-00	BOLT, FLANGE, 6 X 18	1
	96001-06018-00	BOLT, FLANGE, 6 X 18	1
20	90131-KRM-840	BOLT, PLUG, DRAIN, 12 MM	1
	90131-KRM-840	BOLT, PLUG, DRAIN, 12 MM	1

E-8A : OIL PUMP



E-8A : OIL PUMP

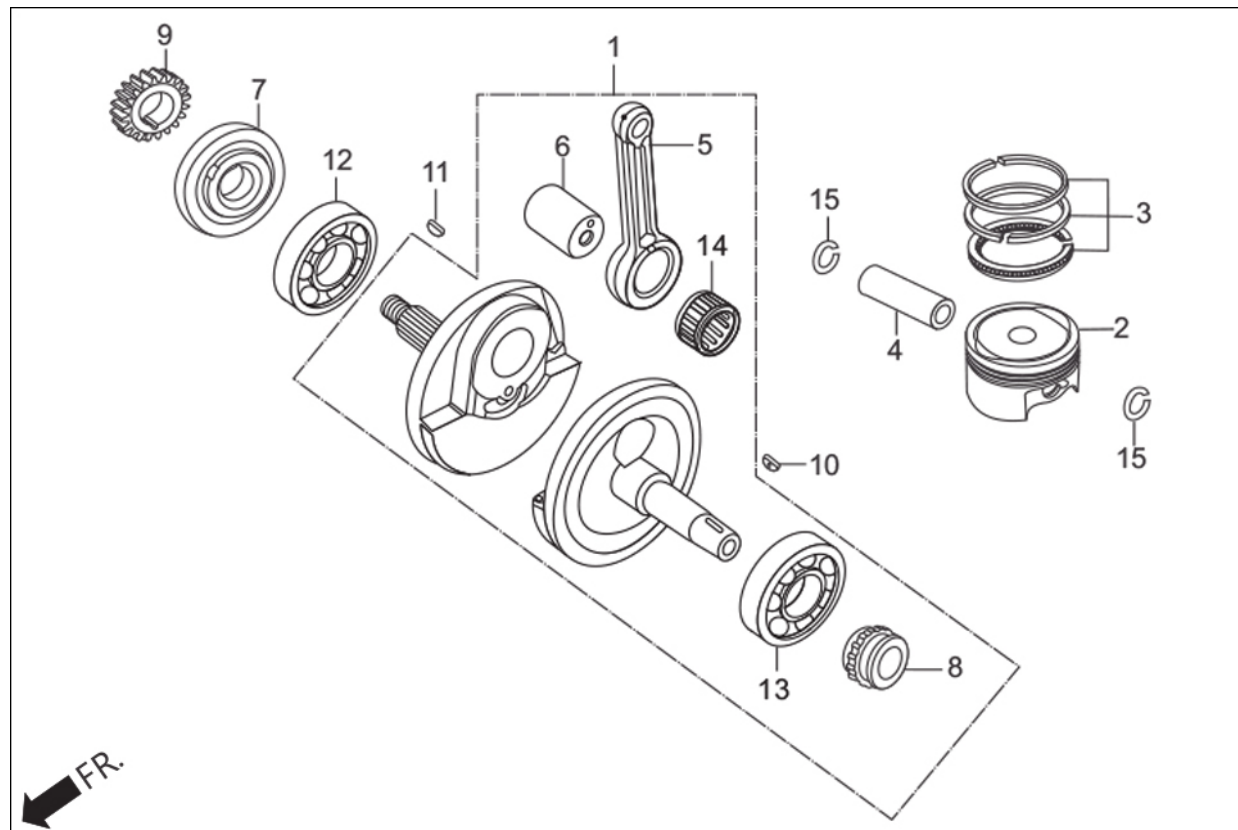
Group Number: E-8A Model :: Hunk (Feb, 2017)

Ref No.	Part Number	Description	Req.
1	15100-KRM-840	OIL PUMP ASSY	1
	15100-KRM-840	OIL PUMP ASSY	1
2	15130-KRM-840	GEAR COMP., OIL PUMP	1
	15130-KRM-840	GEAR COMP., OIL PUMP	1
3	15331-KRM-840	ROTOR, INNER OIL PUMP	1
4	15332-KRM-840	ROTOR, OUTER OIL PUMP	1
5	15421-KTN-900	SCREEN, OIL FILTER	1
	15421-KTN-900	SCREEN, OIL FILTER	1
6	15430-KSP-910	ROTOR, OIL FILTER	1
	15430-KSP-910	ROTOR, OIL FILTER	1
7	15436-KRM-840	CAP, OIL FILTER ROTOR	1
	15436-KRM-840	CAP, OIL FILTER ROTOR	1
8	15441-KCS-650	OIL, THROUGH	1
	15441-KCS-650	OIL, THROUGH	1
9	15446-107-000	SPRING, OIL THROUGH	1
	15446-107-000	SPRING, OIL THROUGH	1
10	15459-KWK-900	GASKET ,OIL FILTER CAP	1
	15459-KWK-900	GASKET ,OIL FILTER CAP	1
11	90231-KM7-700	NUT, LOCK, 14 MM	1
	90231-KM7-700	NUT, LOCK, 14 MM	1

E-8A : OIL PUMP

12	90432-KPT-A00	WASHER, 14.2 X 26 X 3	1
	90432-KPT-A00	WASHER, 14.2 X 26 X 3	1
13	93700-05012-0A	SCREW, OVAL, 5X12	3
	93700-05012-0A	SCREW, OVAL, 5X12	3
14	93901-34120	SCREW, TAPPING, 4X8	1
15	94251-08000	PIN LOCK, 8 MM	1
	94251-08000	PIN LOCK, 8 MM	1
16	94301-08140	DOWEL PIN, 8X14	2
	94301-08140	DOWEL PIN, 8X14	2
17	95701-06035-00	BOLT, FLANGE, 6X35	2
	95701-06035-00	BOLT, FLANGE, 6X35	2

E-9 : CRANK SHAFT / PISTON



E-9 : CRANK SHAFT / PISTON

Group Number: E-9 Model :: Hunk (Feb, 2017)

Ref No.	Part Number	Description	Req.
1	13000-AAB-100	CRANK SHAFT COMP.	1
	13000-AAB-100	CRANK SHAFT COMP.	1
2	13101-AAB-100	PISTON	1
	13101-AAB-100	PISTON	1
	13102-AAB-305	PISTON(O/S 0.25)	1
	13102-AAB-305	PISTON(O/S 0.25)	1
	13103-AAB-305	PISTON(O/S 0.50)	1
	13103-AAB-305	PISTON(O/S 0.50)	1
	13104-AAB-305	PISTON(O/S 0.75)	1
	13104-AAB-305	PISTON(O/S 0.75)	1
	13105-AAB-305	PISTON(O/S 1.00)	1
	13105-AAB-305	PISTON(O/S 1.00)	1
3	13011-KRM-305	RING SET, PISTON (STD)	1
	13011-KRM-305	RING SET, PISTON (STD)	1
	13021-KRM-305	RING SET, PISTON O/S 0.25	1
	13021-KRM-305	RING SET, PISTON O/S 0.25	1
	13031-KRM-305	RING SET, PISTON O/S 0.50	1
	13031-KRM-305	RING SET, PISTON O/S 0.50	1
	13041-KRM-305	RING SET, PISTON O/S 0.75	1
	13041-KRM-305	RING SET, PISTON O/S 0.75	1

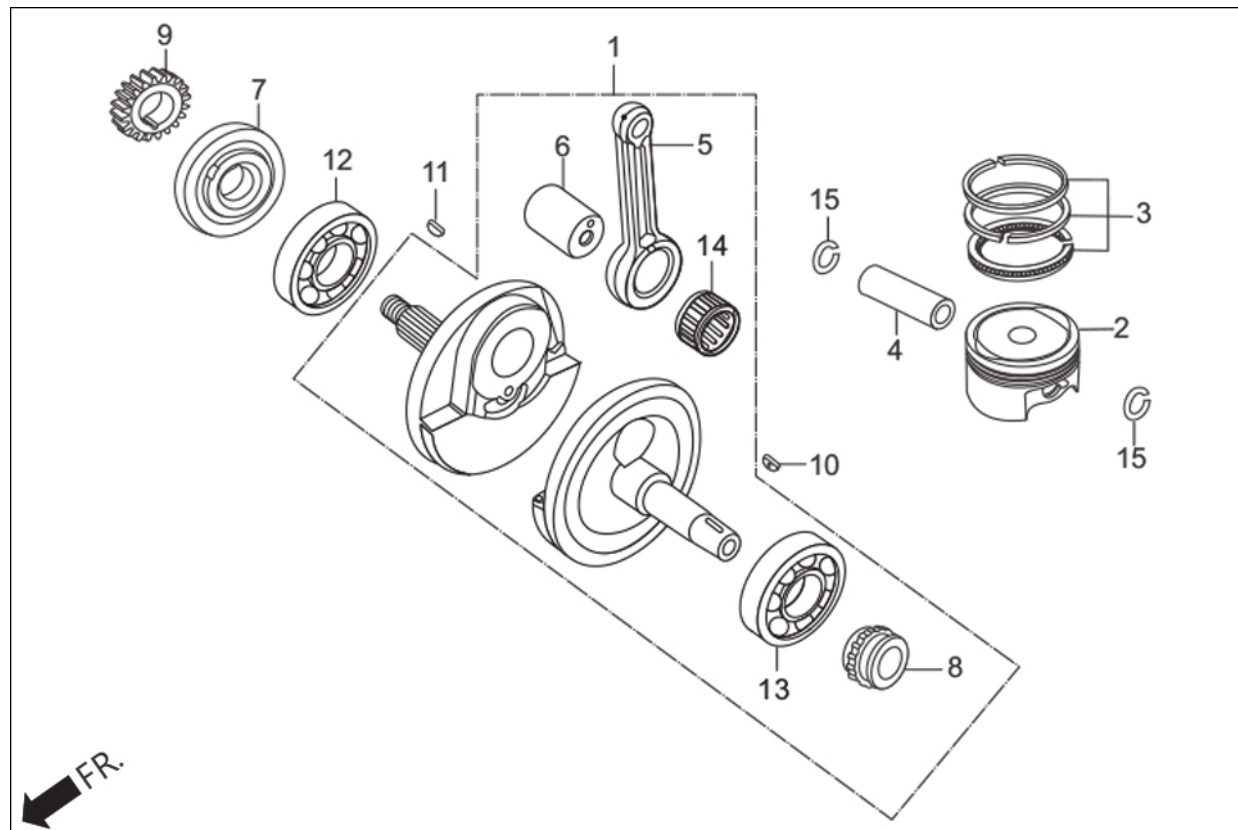
E-9 : CRANK SHAFT / PISTON

	13051-KRM-305	RING SET, PISTON O/S 1.00	1
	13051-KRM-305	RING SET, PISTON O/S 1.00	1
4	13111-KSP-910	PIN, PISTON	1
	13111-KSP-910	PIN, PISTON	1
5	13201-KRM-840	ROD, CONNECTING	1
6	13380-KRM-840	PIN, COMP., CRANK	1
7	13412-KSP-910	COLLAR, R CRANK SHAFT	1
	13412-KSP-910	COLLAR, R CRANK SHAFT	1
8	14311-KRM-840	SPROCKET, TIMING, (17T)	1
	14311-KRM-840	SPROCKET, TIMING, (17T)	1
9	23121-KVE-860	GEAR PRIMARY DRIVE	1
	23121-KVE-860	GEAR PRIMARY DRIVE	1
10	90741-KFB-000	KEY,WOODRUFF,4 MM	1
	90741-KFB-000	KEY,WOODRUFF,4 MM	1
11	90741-KGH-900	KEY, WOODRUFF, 4 MM	1
	90741-KGH-900	KEY, WOODRUFF, 4 MM	1
12	91001-KTN-900	BRG. ROLLER, 30 X 58 X 17	1
	91001-KTN-900	BRG. ROLLER, 30 X 58 X 17	1
13	91002-KSP-911	BRG. BALL, RADIAL, 6207 SPL. L	1
	91002-KSP-911	BRG. BALL, RADIAL, 6207 SPL. L	1
14	91101-KTN-901	BRG., NEEDLE, 28 X 36 X 15.8 (RED)	1
	91102-KTN-901	BRG., NEEDLE, 28 X 36 X 15.8 (BLUE)	1

E-9 : CRANK SHAFT / PISTON

	91103-KTN-901	BRG., NEEDLE, 28 X 36 X 15.8 (WHITE)	1
15	94601-14000	CLIP, PISTON PIN	2
	94601-14000	CLIP, PISTON PIN	2

E-9 : CRANK SHAFT / PISTON



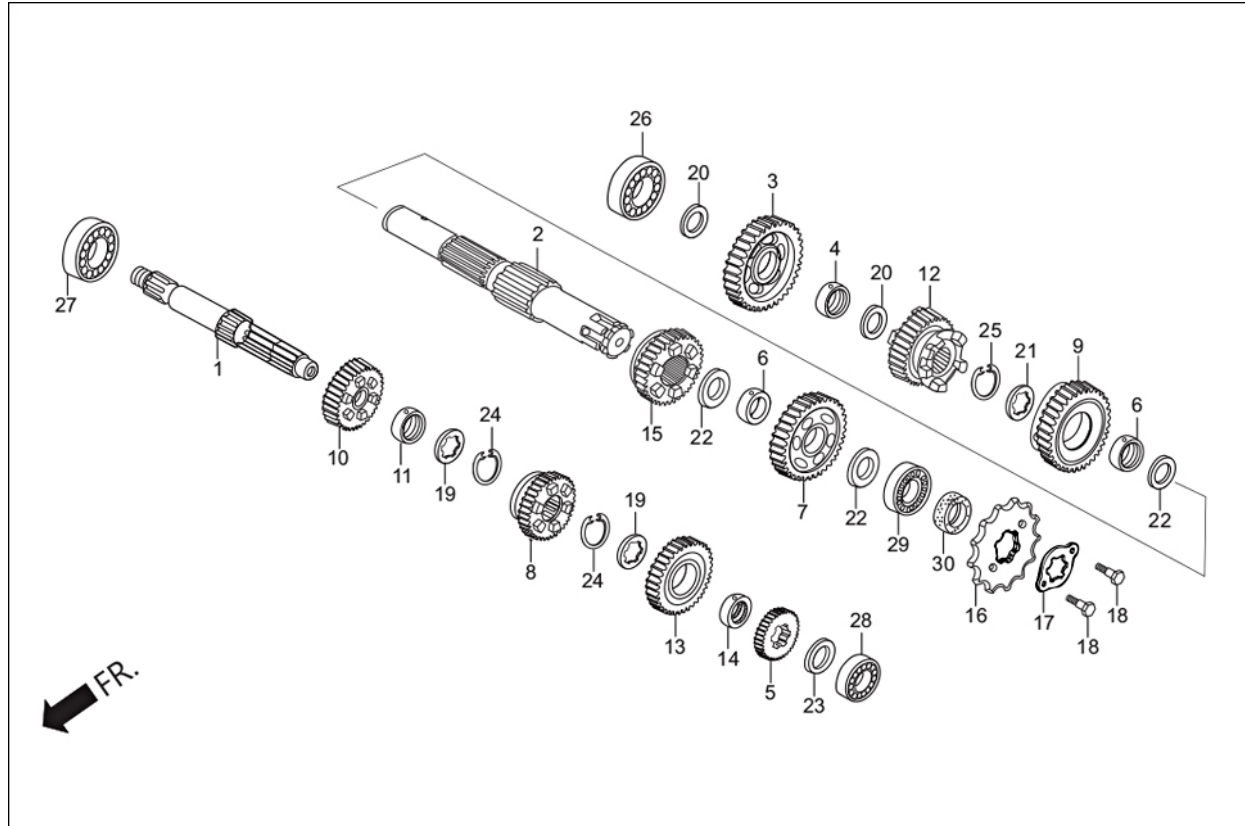
E-9 : CRANK SHAFT / PISTON

Group Number: E-9 Model :: Hunk (Feb, 2017)

SELECTION TABLE OF CONNECTING ROD BIG END BEARING						
Crank Pin CODE (Colour)	Connecting rod code	1	2	3	4	5
		-0.001 +0.001 (Green)	+0.001 +0.003 (Yellow)	+0.003 +0.005 (White)	+0.005 +0.007 (Blue)	+0.007 +0.009 (Brown)
B	0.000 -0.002	91101- KTN-9000 (Red)	/	/	/	/
a	-0.002 -0.004	91102- KTN-9000 (Blue)	/	/	/	/
C	0.000 -0.002	/	91101- KTN-9000 (Red)	/	/	/
A	-0.002 -0.004	/	91102- KTN-9000 (Blue)	/	/	/
D	0.000 -0.002	/	/	91101- KTN-9000 (Red)	/	/
B	-0.002 -0.004	/	/	91102- KTN-9000 (Blue)	/	/
a	-0.004 -0.006	/	/	91103- KTN-9000 (White)	/	/

SELECTION TABLE OF CONNECTING ROD BIG END BEARING						
Crank Pin CODE (Colour)	Connecting rod code	1	2	3	4	5
		-0.001 +0.001 (Green)	+0.001 +0.003 (Yellow)	+0.003 +0.005 (White)	+0.005 +0.007 (Blue)	+0.007 +0.009 (Brown)
E	0.000 -0.002	/	/	/	91101- KTN-9000 (Red)	/
C	-0.002 -0.004	/	/	/	91102- KTN-9000 (Blue)	/
a	-0.004 -0.006	/	/	/	91103- KTN-9000 (White)	/
F	0.000 -0.002	/	/	/	/	91101- KTN-9000 (Red)
D	-0.002 -0.004	/	/	/	/	91102- KTN-9000 (Blue)
B	-0.004 -0.006	/	/	/	/	91103- KTN-9000 (White)

E-10 : TRANSMISSION



E-10 : TRANSMISSION

Group Number: E-10 **Model ::** Hunk (Feb, 2017)

Ref No.	Part Number	Description	Req.
1	23210-KVN-900	SHAFT COMP., MAIN TRANS	1
	23210-KVN-900	SHAFT COMP., MAIN TRANS	1
2	23220-KTN-900	SHAFT COMP., COUNTER	1
	23220-KTN-900	SHAFT COMP., COUNTER	1
3	23421-KVN-900	GEAR, C-1, (40 T)	1
	23421-KVN-900	GEAR, C-1, (40 T)	1
4	23427-KRM-840	BUSH, 17 X 20.5 X 8	1
	23427-KRM-840	BUSH, 17 X 20.5 X 8	1
5	23431-KVN-900	GEAR, M-2, (19 T)	1
	23431-KVN-900	GEAR, M-2, (19 T)	1
6	23432-KRM-840	BUSH, 20 MM	2
	23432-KRM-840	BUSH, 20 MM	2
7	23441-KVN-900	GEAR, C2, (34 T)	1
	23441-KVN-900	GEAR, C2, (34 T)	1
8	23451-KVN-900	GEAR, M3, (23 T)	1
	23451-KVN-900	GEAR, M3, (23 T)	1
9	23461-KVN-900	GEAR, C3, (30 T)	1
	23461-KVN-900	GEAR, C3, (30 T)	1
10	23471-KVN-900	GEAR, M4, (22 T)	1
	23471-KVN-900	GEAR, M4, (22 T)	1

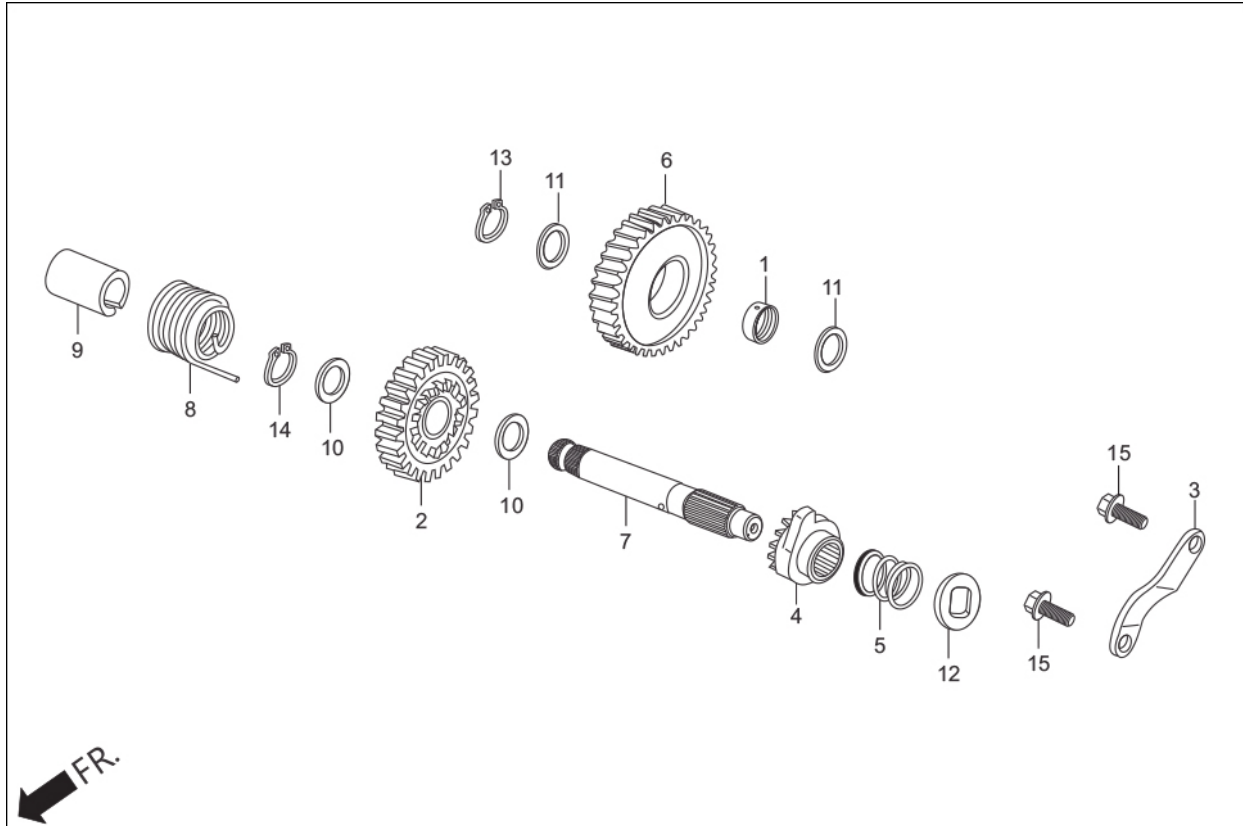
E-10 : TRANSMISSION

11	23472-KSP-910	BUSH 17 MM	1
	23472-KSP-910	BUSH 17 MM	1
12	23481-KVN-900	GEAR, C-4, (24 T)	1
	23481-KVN-900	GEAR, C-4, (24 T)	1
13	23491-KVN-900	GEAR, M-5, (32 T)	1
	23491-KVN-900	GEAR, M-5, (32 T)	1
14	23492-KSP-910	COLLAR SPLINE 17X20X11	1
	23492-KSP-910	COLLAR SPLINE 17X20X11	1
15	23501-KVN-900	GEAR, C-5 (30 T)	1
	23501-KVN-900	GEAR, C-5 (30 T)	1
16	23801-KCT-690	SPROCKET, DRIVE (14T)	1
	23801-KCT-690	SPROCKET, DRIVE (14T)	1
17	23811-KR3-600	PLATE, A2 FIXING	1
	23811-KR3-600	PLATE, A2 FIXING	1
18	90084-041-000	BOLT, DRIVE SPRKT, FIXING	2
	90084-041-000	BOLT, DRIVE SPRKT, FIXING	2
19	90452-KRM-840	WASHER ,17 X 23 X1.6	2
	90452-KRM-840	WASHER ,17 X 23 X1.6	2
20	90452-GB4-770	WASHER, THRUST, 17MM	2
	90452-GB4-770	WASHER, THRUST, 17MM	2
21	90453-KRM-840	WASHER SPLINE 20 MM	1
	90453-KRM-840	WASHER SPLINE 20 MM	1

E-10 : TRANSMISSION

22	90454-107-000	WASHER ,THRUST, 20MM	3
	90454-107-000	WASHER ,THRUST, 20MM	3
23	90456-KRM-840	WASHER, THURST, 12MM	1
	90456-KRM-840	WASHER, THURST, 12MM	1
24	90601-AAB-A00	CIRCLIP 17 MM	2
25	90605-200-000	SET RING, 20MM	1
	90605-200-000	SET RING, 20MM	1
26	91003-KSP-910	BRG. BALL RADIAL, 17 X 42 X 12	1
	91003-KSP-910	BRG. BALL RADIAL, 17 X 42 X 12	1
27	91004-KTN-900	BRG. BALL RADIAL, 17 X 40 X 12	1
	91004-KTN-900	BRG. BALL RADIAL, 17 X 40 X 12	1
28	91005-KTN-900	BRG. BALL RADIAL, 12 X 32 X 10	1
	91005-KTN-900	BRG. BALL RADIAL, 12 X 32 X 10	1
29	91006-KTN-900	BRG., BALL RADIAL,20 X 47X 14	1
	91006-KTN-900	BRG., BALL RADIAL,20 X 47X 14	1
30	91216-KSP-910	OIL SEAL	1
	91216-KSP-910	OIL SEAL	1

E-11 : SPINDLE KICK STARTER



E-11 : SPINDLE KICK STARTER

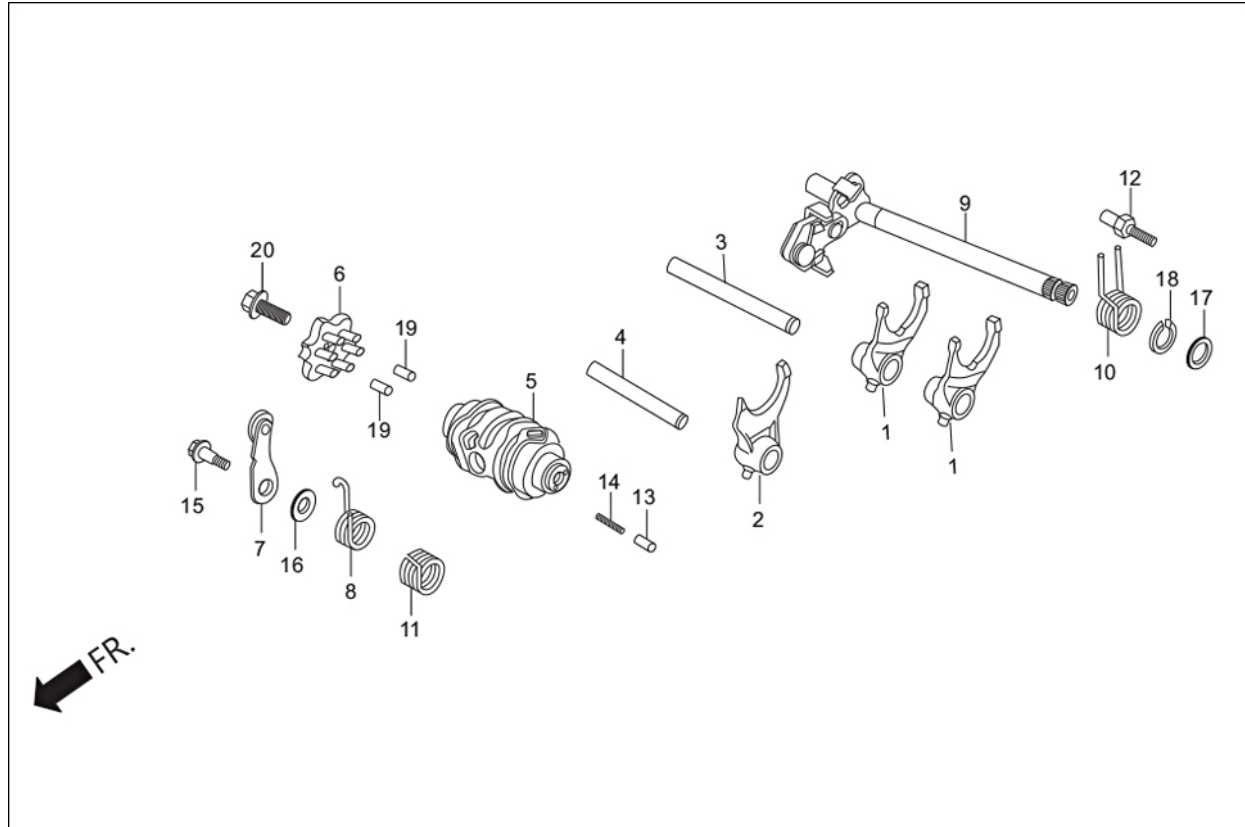
Group Number: E-11 **Model ::** Hunk (Feb, 2017)

Ref No.	Part Number	Description	Req.
1	23427-KRM-840	BUSH, 17 X 20.5 X 8	1
	23427-KRM-840	BUSH, 17 X 20.5 X 8	1
2	28211-KRM-840	PINION, KICK STARTER	1
	28211-KRM-840	PINION, KICK STARTER	1
3	28215-KRM-840	PLATE, KICK STOPPER	1
	28215-KRM-840	PLATE, KICK STOPPER	1
4	28221-KTN-900	RATCHET, STARTER	1
	28221-KTN-900	RATCHET, STARTER	1
5	28223-KRM-840	SPRING, RATCHET	1
	28223-KRM-840	SPRING, RATCHET	1
6	28231-KRM-840	GEAR, KICK IDLE STARTER	1
	28231-KRM-840	GEAR, KICK IDLE STARTER	1
7	28251-KTN-900	SPINDLE, KICK STARTER	1
	28251-KTN-900	SPINDLE, KICK STARTER	1
8	28261-KRM-840	SPG., KICK RETURN	1
	28261-KRM-840	SPG., KICK RETURN	1
9	28282-KRM-840	COLLAR, KICK SPG.	1
	28282-KRM-840	COLLAR, KICK SPG.	1
10	90451-KRM-840	WASHER, THRUST, 16 MM	2
	90451-KRM-840	WASHER, THRUST, 16 MM	2

E-11 : SPINDLE KICK STARTER

11	90452-GB4-770	WASHER, THRUST, 17MM	2
	90452-GB4-770	WASHER, THRUST, 17MM	2
12	90455-KSP-910	WASHER, SPL., 14 MM	1
	90455-KSP-910	WASHER, SPL., 14 MM	1
13	90602-KRM-840	CIRCLIP, EXTERNAL, 17 MM	1
	90602-KRM-840	CIRCLIP, EXTERNAL, 17 MM	1
14	94510-16000	CIRCLIP, EXTERNAL, 16 MM	1
	94510-16000	CIRCLIP, EXTERNAL, 16 MM	1
15	95701-06016-00	BOLT, FLANGE, 6X16	2
	95701-06016-00	BOLT, FLANGE, 6X16	2

E-12 : DRUM GEAR SHIFT



E-12 : DRUM GEAR SHIFT

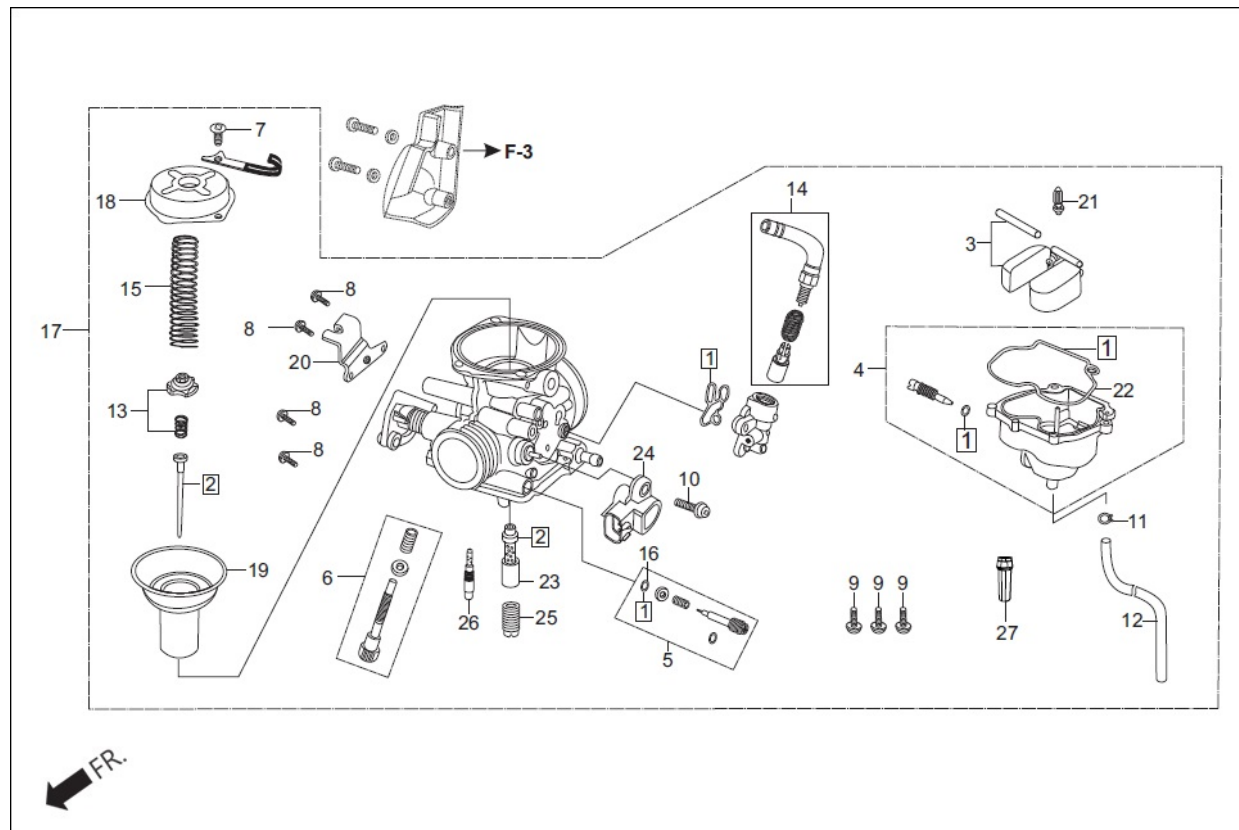
Group Number: E-12 **Model ::** Hunk (Feb, 2017)

Ref No.	Part Number	Description	Req.
1	24211-KRM-840	FORK, R/L, GEAR SHIFT	2
	24211-KRM-840	FORK, R/L, GEAR SHIFT	2
2	24212-KRM-840	FORK, CENTER, GEAR SHIFT	1
	24212-KRM-840	FORK, CENTER, GEAR SHIFT	1
3	24241-KRM-840	SHAFT, A GEAR SHIFT FORK	1
	24241-KRM-840	SHAFT, A GEAR SHIFT FORK	1
4	24242-KRM-840	SHAFT, B GEAR SHIFT FORK	1
	24242-KRM-840	SHAFT, B GEAR SHIFT FORK	1
5	24301-KSP-910	DRUM GEAR SHIFT	1
	24301-KSP-910	DRUM GEAR SHIFT	1
6	24410-KSP-860	PLATE, COMP., SHIFT DRUM STOPPER	1
	24410-KSP-860	PLATE, COMP., SHIFT DRUM STOPPER	1
7	24430-KTN-900	STOPR COMP., GEAR SHIFT DRUM	1
	24430-KTN-900	STOPR COMP., GEAR SHIFT DRUM	1
8	24436-KSP-910	SPRING, DRUM STOPPER	1
	24436-KSP-910	SPRING, DRUM STOPPER	1
9	24610-KSP-910	SPINDLE, COMP., GEAR SHIFT	1
	24610-KSP-910	SPINDLE, COMP., GEAR SHIFT	1
10	24651-KSP-910	SPRING, SHIFT RETURN	1
	24651-KSP-910	SPRING, SHIFT RETURN	1

E-12 : DRUM GEAR SHIFT

11	24627-KRM-840	SPRING GEAR SHIFTER RESET	1
	24627-KRM-840	SPRING GEAR SHIFTER RESET	1
12	24652-KSP-910	PIN, SHIFT, RETURN SPRING	1
	24652-KSP-910	PIN, SHIFT, RETURN SPRING	1
13	35751-KPH-900	CAP, CONTACT CHANGE SW.	1
	35751-KPH-900	CAP, CONTACT CHANGE SW.	1
14	35752-KRM-840	SPRING, CONN. CHANGE SW.	1
	35752-KRM-840	SPRING, CONN. CHANGE SW.	1
15	90022-MG8-000	PIVOT, SHIFT DRUM STOPR. ARM	1
	90022-MG8-000	PIVOT, SHIFT DRUM STOPR. ARM	1
16	90417-KRM-840	WASHER DRUM STOPPER	1
	90417-KRM-840	WASHER DRUM STOPPER	1
17	90457-KRM-840	WASHER, 14 MM	1
	90457-KRM-840	WASHER, 14 MM	1
18	94510-14000	CIRCLIP, EXTERNAL, 14 MM	1
	94510-14000	CIRCLIP, EXTERNAL, 14 MM	1
19	96220-30085	ROLLER, 3 X 8.5	2
	96220-30085	ROLLER, 3 X 8.5	2
20	90003-KVS-900	BOLT HEX.6X20	1
	90003-KVS-900	BOLT HEX.6X20	1

E-13 : CARBURETTOR



E-13 : CARBURETTOR

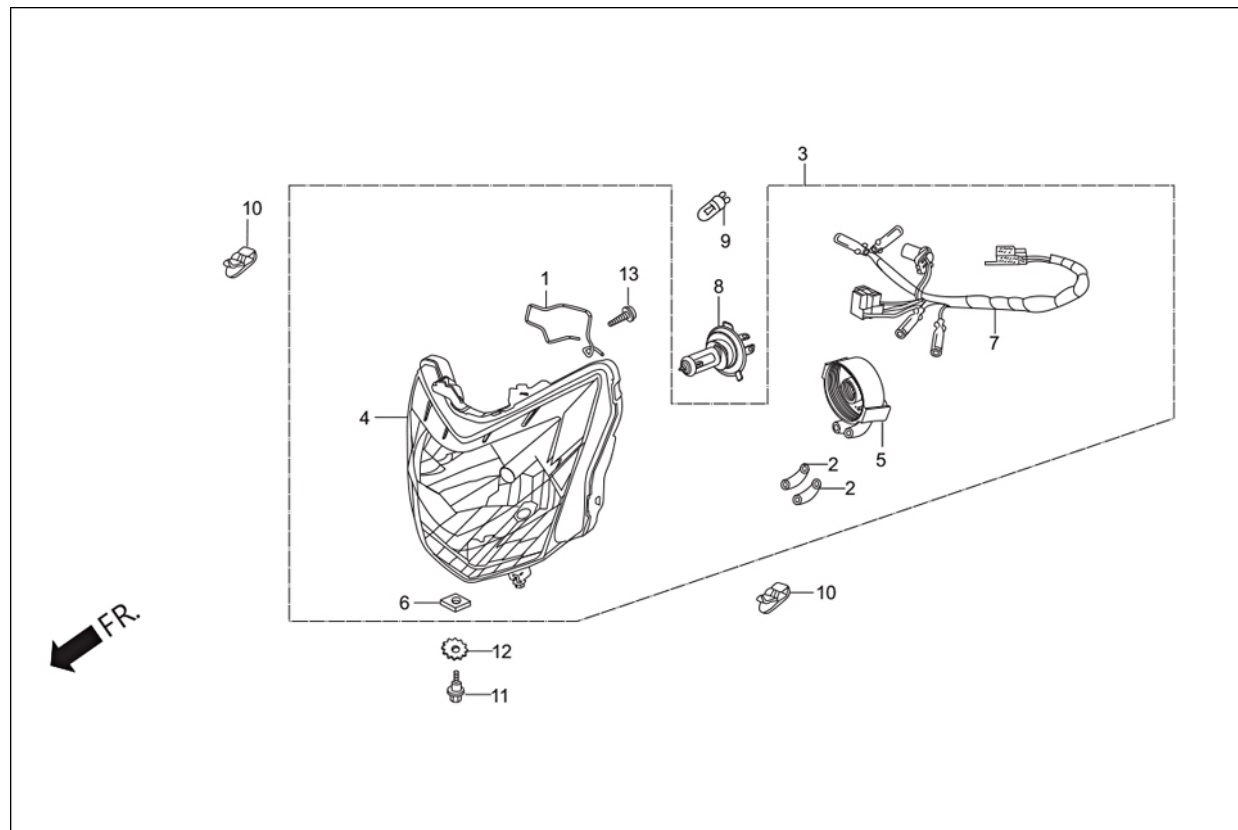
Group Number: E-13 **Model ::** Hunk (Feb, 2017)

Ref No.	Part Number	Description	Req.
1	16010-AAB-102	GASKET SET	1
2	16012-AAB-801	NEEDLE, SET, JET	1
3	16013-AAB-102	FLOAT SET	1
	16013-AAB-102	FLOAT SET	1
4	16015-AAB-102	CHAMBER SET FLOAT	1
5	16016-AAB-102	SCREW SET A	1
6	16028-AAB-102	SCREW SET B	1
7	16031-AAB-102	SCREW PAN 4X8	1
8	16032-AAB-102	SCREW PAN 5X10	4
9	16033-AAB-102	SCREW PAN 4X16	3
10	16034-AAB-102	SCREW-WASH TORX 5X16	1
11	16035-AAB-102	CLIP TUBE	1
12	16036-AAB-102	TUBE 4.5X500	1
13	16037-AAB-102	PLATE SET VALVE	1
14	16046-AAB-102	VALVE SET STARTER	1
15	16050-AAB-102	SPG COMPRESSION COIL	1
16	16075-AAB-102	O-RING	2
17	16100-AAB-801	CARBURETTOR, ASSY.	1
	16100-AAB-801	CARBURETTOR, ASSY.	1
18	16107-AAB-102	TOP	1

E-13 : CARBURETTOR

19	16111-AAB-102	PISTON COMP VACUUM	1
20	16119-AAB-102	STAY WIRE	1
	16119-AAB-102	STAY WIRE	1
21	16155-AAB-102	VALVE COMP FLOAT	1
22	16163-AAB-102	GASKET FLOAT CHAMBER	1
23	16165-AAB-102	HOLDER NEEDLE JET	1
24	37890-AAB-102	SENSOR ASSY THROTTLE	1
	37890-AAB-102	SENSOR ASSY THROTTLE	1
25	99101-AAB-1275	JET # 127.5	1
	99101-AAB-1275	JET # 127.5	1
26	99103-AAB-0125	JET SLOW #12.5	1
	99103-AAB-0125	JET SLOW #12.5	1
27	16027-AAB-102	FILTER FUEL INLET NIPPLE	1

F-1 : HEAD LIGHT



F-1 : HEAD LIGHT

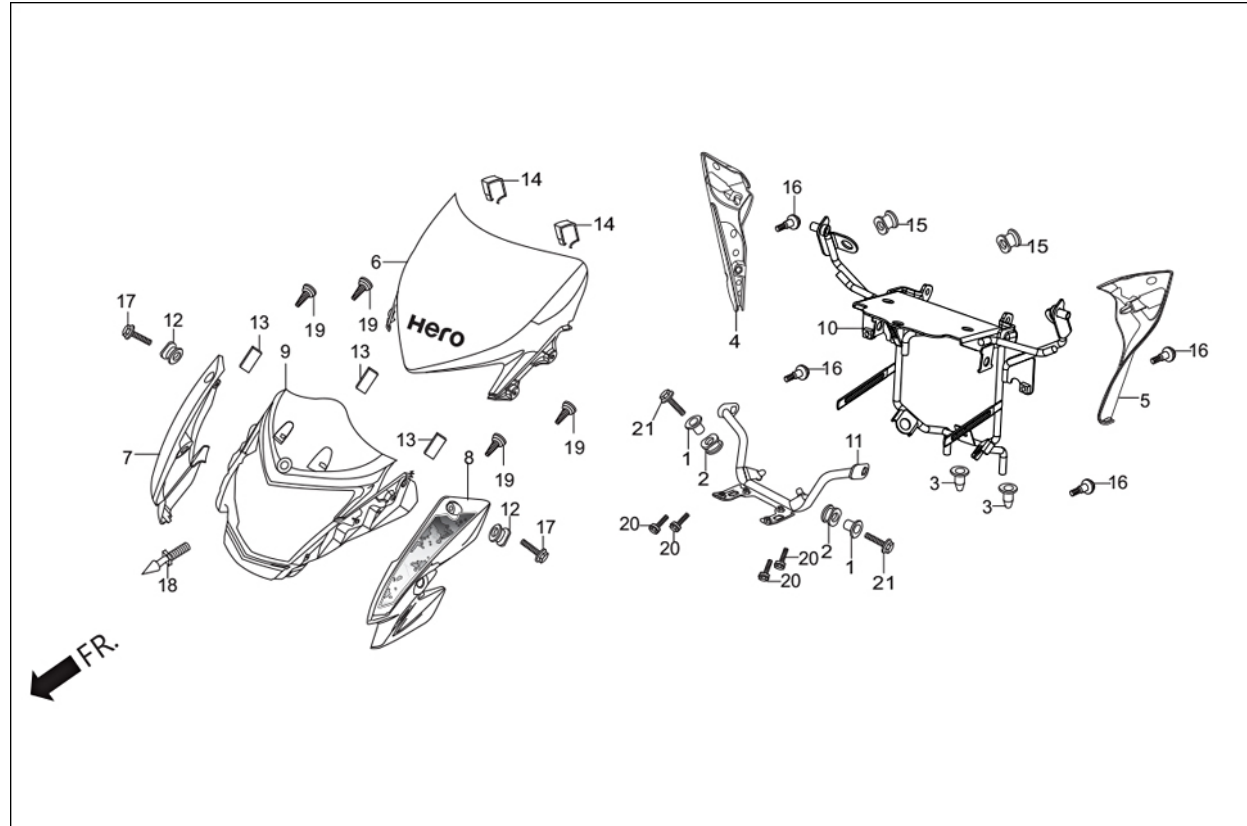
Group Number: F-1 **Model ::** Hunk (Feb, 2017)

Ref No.	Part Number	Description	Req.
1	33108-KRY-900	SPRING, SPC(BULB HOLDER)	1
2	33101-KVN-901	TUBE	2
3	3310B-AAK-201	LIGHT ASSY., HEAD (W/O BULB)	1
	3310B-AAK-201	LIGHT ASSY., HEAD (W/O BULB)	1
4	33110-AAK-201	UNIT, HEAD LIGHT	1
5	33112-KTN-921	SOCKET COVER	1
6	33128-GBL-000	NUT, SPECIAL	1
7	33150-KVN-901	SOCKET ASSY., HEAD LIGHT	1
8	34901-KSP-910	BULB, HEAD LIGHT	1
	34901-KSP-910	BULB, HEAD LIGHT	1
	34901-KSP-910	BULB, HEAD LIGHT	1
	34901-KSP-910	BULB, HEAD LIGHT	1
9	34920-AAK-201	BULB, WEDGE BASE (W3W) E MARK	1
	34920-AAK-201	BULB, WEDGE BASE (W3W) E MARK	1
10	53209-GAH-000	CLIP, HEADLIGHT	2
	53209-GAH-000	CLIP, HEADLIGHT	2
11	90101-GJ6-000	BOLT, ADJUST	1
	90101-GJ6-000	BOLT, ADJUST	1
12	90307-GJ6-000	WASHER, LOCK, 6 MM	1
	90307-GJ6-000	WASHER, LOCK, 6 MM	1

F-1 : HEAD LIGHT

13	93901-04012-00	SCREW, TAPPING SPL., 4 X 12	1
----	----------------	-----------------------------	---

F-1A : FRONT COWL /STAY



F-1A : FRONT COWL /STAY

Group Number: F-1A Model :: Hunk (Feb, 2017)

Ref No.	Part Number	Description	Req.
1	19052-KV0-000	COLLAR, RADIATOR MTG	2
	19052-KV0-000	COLLAR, RADIATOR MTG	2
2	50451-GB6-920	RUBBER, TAIL LIGHT SET	2
	50451-GB6-920	RUBBER, TAIL LIGHT SET	2
3	61312-KCT-690	BOOT, HEAD LIGHT STAY	2
	61312-KCT-690	BOOT, HEAD LIGHT STAY	2
4	61330-KVN-900	PANEL, R SIDE	1
	61330-KVN-900	PANEL, R SIDE	1
5	61340-KVN-900	PANEL, L SIDE	1
	61340-KVN-900	PANEL, L SIDE	1
6	64100-AAK-100	SET, WIND SCREEN	1
	64100-AAK-100	SET, WIND SCREEN	1
7	64204-KVN-900ZEH	COWL R FR. SIDE(PNB)	1
	64204-AAK-100U	COWL R, FR. SIDE(MBLK,NH-105)	1
	64204-AAK-100U	COWL R, FR. SIDE(MBLK,NH-105)	1
	64204-KVN-900ZFH	COWL, R. FR.SIDE (CBR	1
	64204-KVN-970ZD	COWL R FR SIDE(PEARL HARVEST GREEN, GY-136P)	1
	64204-KVN-900ZDH	COWL R FR. SIDE(SRD)	1
	64204-AAK-H70Y	COWL R FR SIDE(PFW,NH341P)	1
8	64205-KVN-900ZEH	COWL L FR. SIDE(PNB)	1

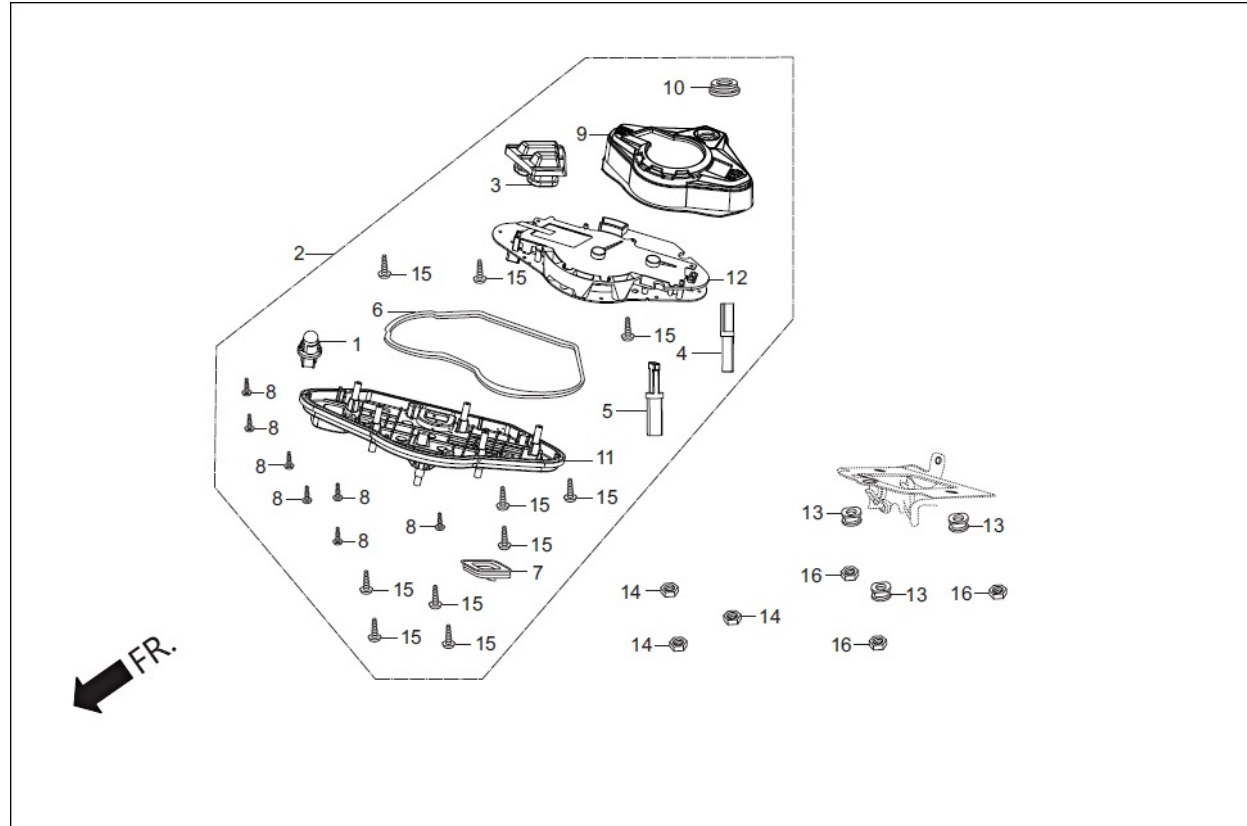
F-1A : FRONT COWL /STAY

	64205-AAK-100U	COWL L, FR. SIDE(MBLK,NH-105)	1
	64205-AAK-100U	COWL L, FR. SIDE(MBLK,NH-105)	1
	64205-KVN-900ZFH	COWL, L. FR.SIDE (CBR	1
	64205-KVN-970ZD	COWL L FR SIDE(PEARL HARVEST GREEN, GY-136P)	1
	64205-KVN-900ZDH	COWL L FR. SIDE(SRD)	1
	64205-AAK-H70Y	COWL L FR SIDE(PFW,NH341P)	1
9	64206-KVN-970	COWL,FR CENTER	1
	64206-KVN-970	COWL,FR CENTER	1
10	64312-KVN-970	STAY COMP , FR. COWL	1
	64312-KVN-970	STAY COMP , FR. COWL	1
11	64313-KVN-900	STAY COMP., FR. WINKER	1
	64313-KVN-900	STAY COMP., FR. WINKER	1
12	64316-KVN-900	RUBBER, FR., COWL MT	2
	64316-KVN-900	RUBBER, FR., COWL MT	2
13	77246-KVN-900	RUBBER FR	3
	77246-KVN-900	RUBBER FR	3
14	77247-KVN-900	RUBBER, STOPPER	2
	77247-KVN-900	RUBBER, STOPPER	2
15	83551-376-000	GROMMET, SIDE COVER	2
	83551-376-000	GROMMET, SIDE COVER	2
16	90101-GE0-000	SCREW, HINGE PATCH	4
17	90105-KVN-900	BOLT, SPECIAL 6 X 22	2

F-1A : FRONT COWL /STAY

18	90899-KVN-900	PLUG, CORN	1
	90899-KVN-900	PLUG, CORN	1
19	93903-34380	SCREW, TAPPING, 4X12	4
	93903-34380	SCREW, TAPPING, 4X12	4
20	95701-06012-00	BOLT, FLANGE, 6X12	4
	95701-06012-00	BOLT, FLANGE, 6X12	4
21	95701-06020-00	BOLT, FLANGE, 6X20	2
	95701-06020-00	BOLT, FLANGE, 6X20	2

F-2 : SPEEDOMETER / CABLE

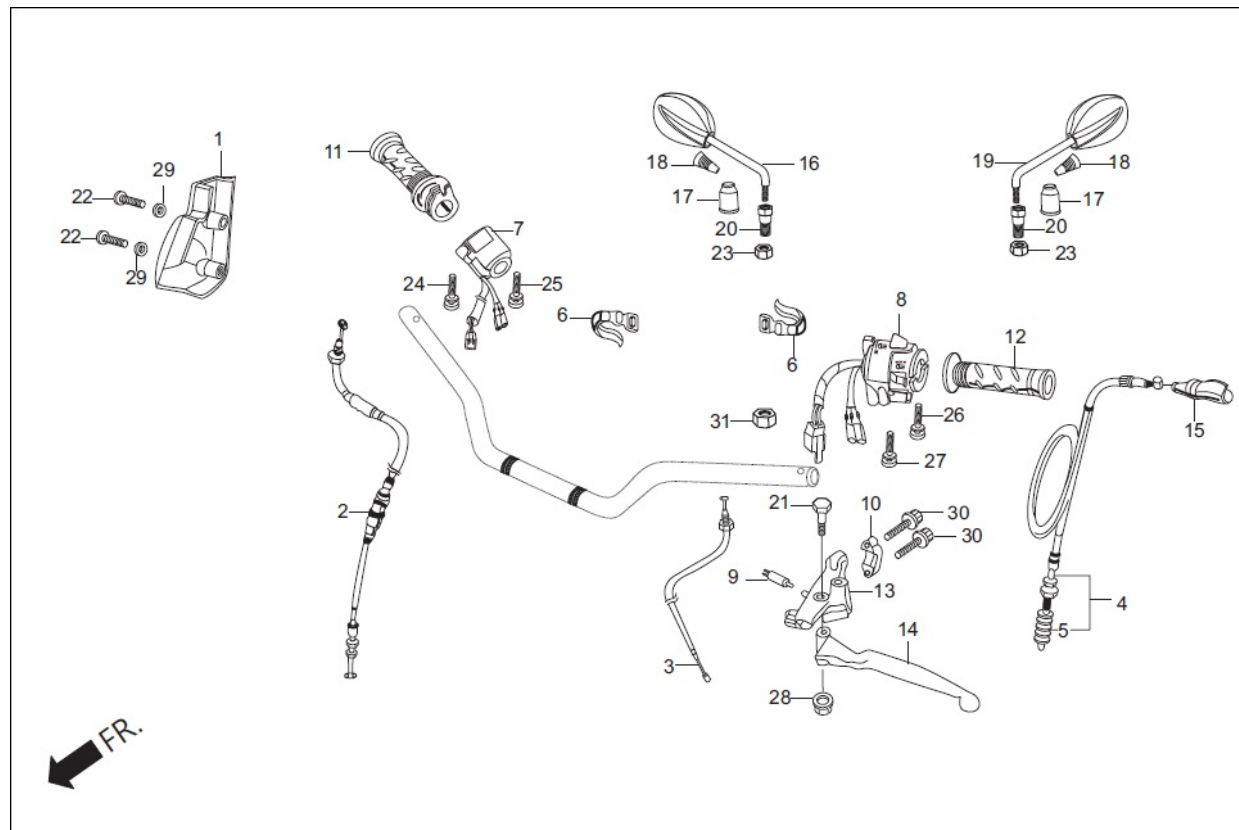


F-2 : SPEEDOMETER / CABLE

Group Number: F-2 **Model ::** Hunk (Feb, 2017)

Ref No.	Part Number	Description	Req.
1	35505-KVN-971	BULB SOCKET ASSY.	1
2	37100-AAK-601	METER ASSY., COMB	1
	37100-AAK-601	METER ASSY., COMB	1
3	37101-KVN-971	SELECT & RESET GROMMET	1
4	37213-KVN-971	SELECT KNOB	1
5	37214-KVN-971	RESET KNOB	1
6	37215-KVN-971	SEALING GASKET	1
7	37216-KVN-971	BULB GROMMET	1
8	37217-KVN-971	SCREW TAPPING 3X11	7
9	37300-AAK-601	CASE UPPER ASSY.,	1
10	37312-KVN-971	GROMMET IGNITION	1
11	37400-AAK-100	CASE LOWER ASSY	1
12	37500-AAK-601	METER COMP.,	1
13	80101-443-000	RUBBER, RR. FENDER CUSHION	3
	80101-443-000	RUBBER, RR. FENDER CUSHION	3
14	94001-06070-0S	NUT, HEX., 6 MM	3
15	93901-42480	SCREW TAPPING 3X16	10
16	94001-06000-0S	NUT, HEX., 6 MM	3
	94001-06000-0S	NUT, HEX., 6 MM	3

F-3 : HANDLE LEVER / SWITCH/CABLES



F-3 : HANDLE LEVER / SWITCH/CABLES

Group Number: F-3 **Model ::** Hunk (Feb, 2017)

Ref No.	Part Number	Description	Req.
1	16150-KTN-700H	COVER THROTTLE CABLE	1
	16150-KTN-700H	COVER THROTTLE CABLE	1
2	17910-KVN-900	CABLE COMP., THROT	1
	17910-KVN-900	CABLE COMP., THROT	1
3	17950-AAK-100	CABLE COMP., CHOKE	1
	17950-AAK-100	CABLE COMP., CHOKE	1
4	22870-KVN-900	CABLE COMP., CLUTCH	1
	22870-KVN-900	CABLE COMP., CLUTCH	1
5	22871-KTN-700	BOOT, CLUTCH CABLE	1
6	32161-404-000	BAND B-1,WIRE	2
7	35150-AAM-011	SW ASSY ST I3S	1
	35150-AAM-011	SW ASSY ST I3S	1
8	35200-AAK-201	SWITCH ASSY., WINKER	1
	35200-AAK-201	SWITCH ASSY., WINKER	1
9	35330-413-003	SW. COMP., FR. LEVER	1
	35330-413-003	SW. COMP., FR. LEVER	1
10	45517-166-000	HOLDER, MASTER CYLINDER	1
	45517-166-000	HOLDER, MASTER CYLINDER	1
11	53140-KFN-850	GRIP COMP., THROTTLE	1
	53140-KFN-850	GRIP COMP., THROTTLE	1

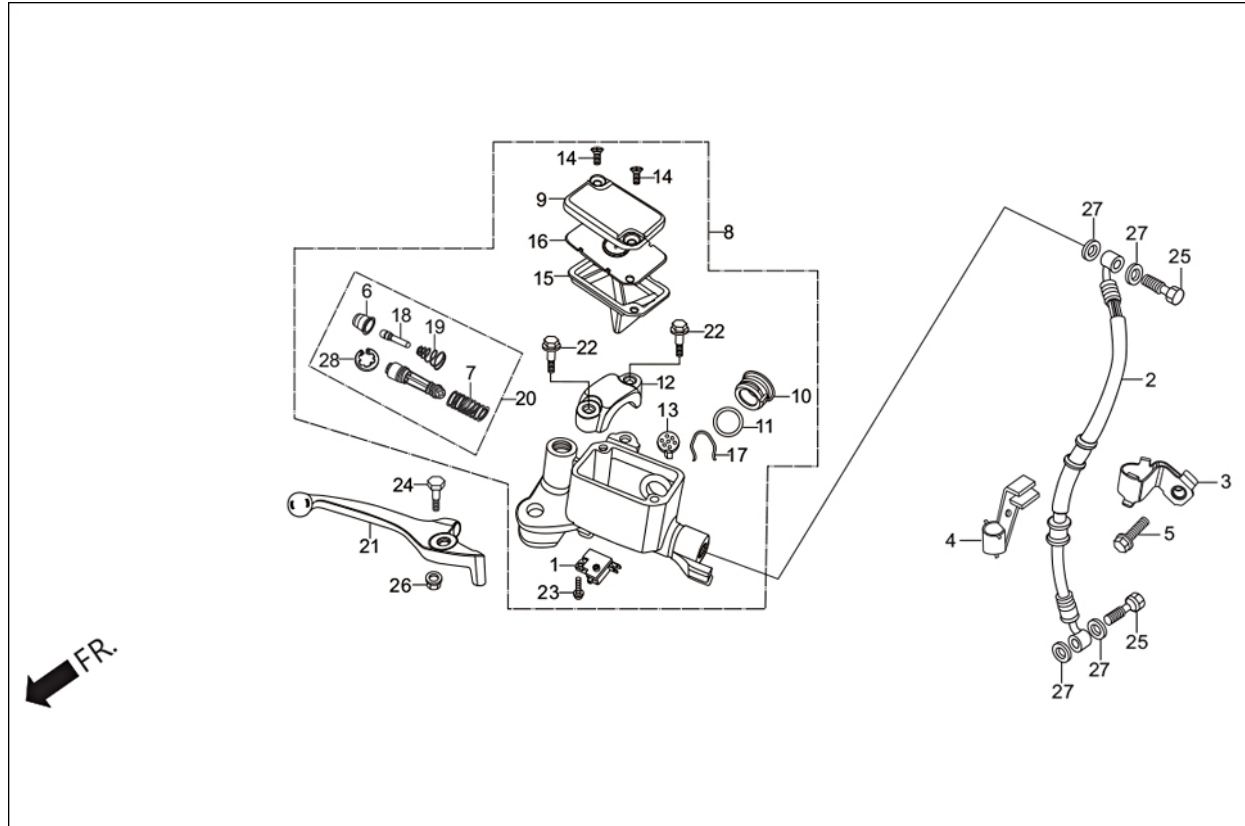
F-3 : HANDLE LEVER / SWITCH/CABLES

12	53166-KFN-850	GRIP, L HANDLE	1
	53166-KFN-850	GRIP, L HANDLE	1
13	53172-KRC-900	BRACKET, HANDLE LEVER	1
	53172-KRC-900	BRACKET, HANDLE LEVER	1
14	53178-KFN-850	LEVER COMP., L HANDLE	1
	53178-KFN-850	LEVER COMP., L HANDLE	1
15	53182-KFN-850	BOOT, L HANDLE LEVER	1
	53182-KFN-850	BOOT, L HANDLE LEVER	1
16	88110-AAK-H01ZA	MIRROR ASSY R BACK (PBME,NH-B08M)	1
	88110-AAK-100U	MIRROR ASSY R BACK(MBK NH-105)	1
	88110-AAK-100U	MIRROR ASSY R BACK(MBK NH-105)	1
	88110-AAK-H01ZE	MIRROR ASSY R BACK(CBR,R-195C)	1
	88110-AAK-H01ZD	MIRROR ASSY R BACK(PHG,GY-136P)	1
	88110-AAK-H01ZG	MIRROR ASSY R BACK(SRD, R-321)	1
	88110-AAK-H70Y	MIRROR ASSY R BACK(PFW,NH341P)	1
17	88114-198-D10	CAP, LOCK NUT	2
	88114-198-D10	CAP, LOCK NUT	2
18	88115-KTR-900	BOOT, MIRROR UPPER	2
	88115-KTR-900	BOOT, MIRROR UPPER	2
19	88120-AAK-H01ZA	MIRROR ASSY L BACK (PBME,NH-B08M)	1
	88120-AAK-100U	MIRROR ASSY L BACK(MBK NH-105)	1
	88120-AAK-100U	MIRROR ASSY L BACK(MBK NH-105)	1

F-3 : HANDLE LEVER / SWITCH/CABLES

	88120-AAK-H01ZE	MIRROR ASSY L BACK(CBR,R-195C)	1
	88120-AAK-H01ZD	MIRROR ASSY L BACK(PHG,GY-136P)	1
	88120-AAK-H01ZG	MIRROR ASSY L BACK(SRD, R-321)	1
	88120-AAK-H70Y	MIRROR ASSY L BACK(PFW,NH341P)	1
20	90003-KCC-840	BOLT, ADPT.10MM	2
	90003-KCC-840	BOLT, ADPT.10MM	2
21	90113-438-000	BOLT, HANDLE LEVER PIVOT	1
	90113-438-000	BOLT, HANDLE LEVER PIVOT	1
22	90140-KAE-000	SCREW, PAN, 4 X 28	2
23	90201-MW3-620	NUT, HEX., 10MM	2
	90201-MW3-620	NUT, HEX., 10MM	2
24	93892-05020-07	SCREW, WASHER, 5X20	1
25	93892-05025-07	SCREW, WASHER, 5X25	1
26	93892-05035-07	SCREW, WASHER, 5X35	1
27	93892-05045-07	SCREW, WASHER, 5X45	1
28	94050-06000	NUT, FLANGE, 6 MM	1
	94050-06000	NUT, FLANGE, 6 MM	1
29	94101-04700	WASHER, PLAIN, 4 MM	2
30	96001-06022-07	BOLT, FLANGE, SH.6X22	2
31	94002-10070-0S	NUT, HEX., 10MM	1

F-3A : FRONT BRAK MASTER CYL.



F-3A : FRONT BRAK MASTER CYL.

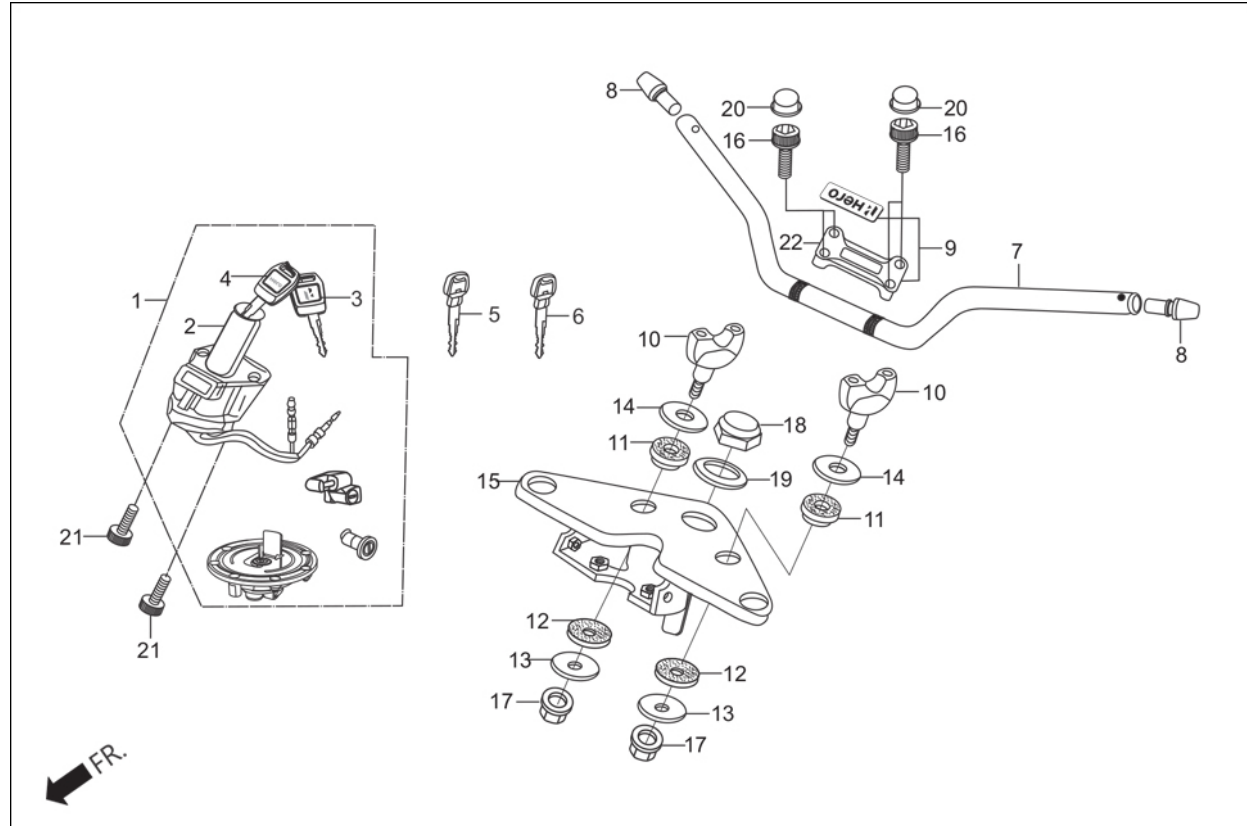
Group Number: F-3A Model :: Hunk (Feb, 2017)

Ref No.	Part Number	Description	Req.
1	35340-KCC-841	SW. ASSY. FR. STOP.	1
	35340-KCC-841	SW. ASSY. FR. STOP.	1
2	45126-KVE-900	HOSE ASSY., FR. BRK	1
	45126-KVE-900	HOSE ASSY., FR. BRK	1
3	45155-KTN-710	CLAMPER, A FR. BRK. HOSE	1
	45155-KTN-710	CLAMPER, A FR. BRK. HOSE	1
4	45156-KVE-900	CLAMPER,B FR. BRK. HOSE	1
	45156-KVE-900	CLAMPER,B FR. BRK. HOSE	1
5	96001-06012-07	BOLT, FLANGE, SH., 6 X 12	1
6	45504-KCC-841	BOOT COMP.	1
7	45506-KCC-841	SPRING	1
8	45510-KVN-901	M/C SUB ASSY, FR. BRK	1
	45510-KVN-901	M/C SUB ASSY, FR. BRK	1
9	45513-KCC-841	CAP, MASTER CYLINDER	1
10	45515-KVN-901	GAUGE COMP., LEVEL	1
11	45516-KCC-841	O RING	1
12	45517-KCC-841	HOLDER MASTER CYLINDER	1
	45517-KCC-841	HOLDER MASTER CYLINDER	1
13	45518-KCC-841	SEPARATOR COMP.	1
14	45519-KCC-841	SCREW FLAT	2

F-3A : FRONT BRAK MASTER CYL.

15	45520-KCC-841	DIAPHRAGM	1
16	45521-KCC-841	PLATE, DIAPHRAGM	1
17	45522-KCC-841	CLIP, GAUGE	1
18	45525-KCC-841	PUSH ROD	1
19	45526-KCC-841	SPRING , PUSH ROD	1
20	45530-KCC-841	CYLINDER SET MASTER	1
21	53175-KSP-900	LEVER, R STRG. HANDLE	1
	53175-KSP-900	LEVER, R STRG. HANDLE	1
22	90111-KCC-841	BOLT,FLANGE 6 X 25	2
23	90112-KCC-841	SCREW,PAN,4X8	1
24	90114-KCC-841	BOLT, HANDLE LEVER	1
	90114-KCC-841	BOLT, HANDLE LEVER	1
25	90145-MS9-610	OIL BOLT, 10 X 22	2
	90145-MS9-610	OIL BOLT, 10 X 22	2
26	90303-KCC-841	NUT	1
	90303-KCC-841	NUT	1
27	90545-300-000	WASHER ,OIL BOLT	4
	90545-300-000	WASHER ,OIL BOLT	4
28	90651-KCC-841	CIRCLIP	1

F-4 : HANDLE PIPE / TOP BRIDGE



F-4 : HANDLE PIPE / TOP BRIDGE

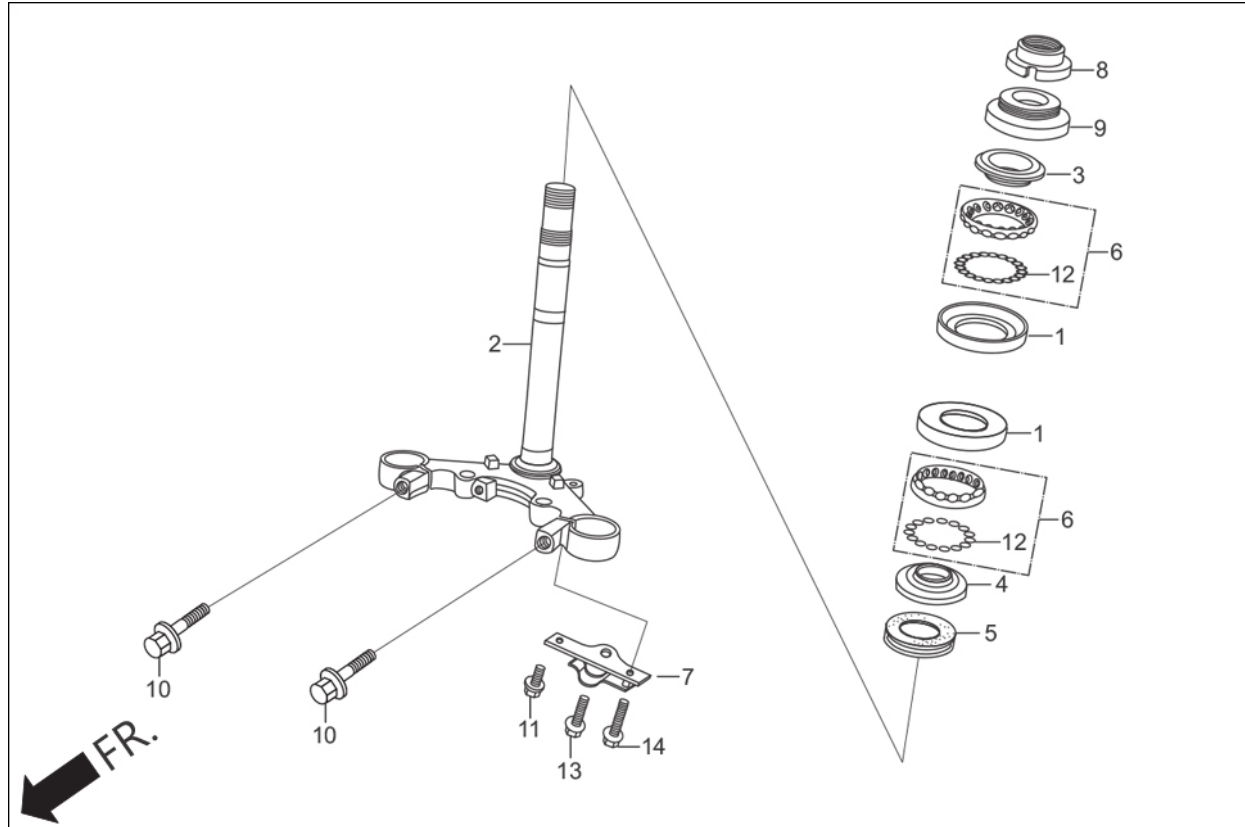
Group Number: F-4 **Model ::** Hunk (Feb, 2017)

Ref No.	Part Number	Description	Req.
1	35010-AAK-201	KEY, SET	1
	35010-AAK-201	KEY, SET	1
2	35100-AAK-201	SWITCH ASSY., COMB & LOCK	1
3	35113-KZJ-H00	EMBLEM ICON	1
4	35114-KZJ-H00	EMBLEM,WORD MARK	1
5	35121-KZJ-H00	BLANK KEY NO.1	1
	35121-KZJ-H00	BLANK KEY NO.1	1
6	35122-KZJ-H00	BLANK KEY NO.2	1
	35122-KZJ-H00	BLANK KEY NO.2	1
7	53100-KVE-930Z	PIPE STRG HANDLE	1
8	53105-KRC-900	END STRG. HANDLE	2
	53105-KRC-900	END STRG. HANDLE	2
9	5313A-AAK-H70	HOLDER HANDLE UP.SUB ASSY.	1
	5313A-AAK-H70	HOLDER HANDLE UP.SUB ASSY.	1
10	53132-124-000	HOLDER, HANDLE PIPE UNDER	2
	53132-124-000	HOLDER, HANDLE PIPE UNDER	2
11	53133-198-900	RUBBER, HANDLE CUSHION UPPER	2
	53133-198-900	RUBBER, HANDLE CUSHION UPPER	2
12	53134-028-000	RUBBER, HANDLE CUSHION UNDER	2
	53134-028-000	RUBBER, HANDLE CUSHION UNDER	2

F-4 : HANDLE PIPE / TOP BRIDGE

13	53135-198-900	WASHER, HANDLE CUSHION	2
	53135-198-900	WASHER, HANDLE CUSHION	2
14	53136-198-900	PLATE, HANDLE CUSHION	2
	53136-198-900	PLATE, HANDLE CUSHION	2
15	53230-KTN-700	BRIDGE COMP., FORK TOP	1
	53230-KTN-700	BRIDGE COMP., FORK TOP	1
16	90102-KVN-900	BOLT, SP. FLANGE SOCKET 6 X 22	4
	90102-KVN-900	BOLT, SP. FLANGE SOCKET 6 X 22	4
17	90304-AAH-F00	NYLOCK NUT 10 MM	2
18	90304-KSP-900	NUT, STEERING STEM	1
	90304-KSP-900	NUT, STEERING STEM	1
19	90503-KTR-900	WASHER, STEERING STEM	1
	90503-KTR-900	WASHER, STEERING STEM	1
20	91455-MG8-000	CAP, SOC BOLT 6 MM	4
	91455-MG8-000	CAP, SOC BOLT 6 MM	4
21	96700-08020-00	BOLT SOCKET, 8 MM	2
22	53131-KVN-901H	HOLDER HANDLE UP.(MGM)	1

F-5 : STRG. STEM



F-5 : STRG. STEM

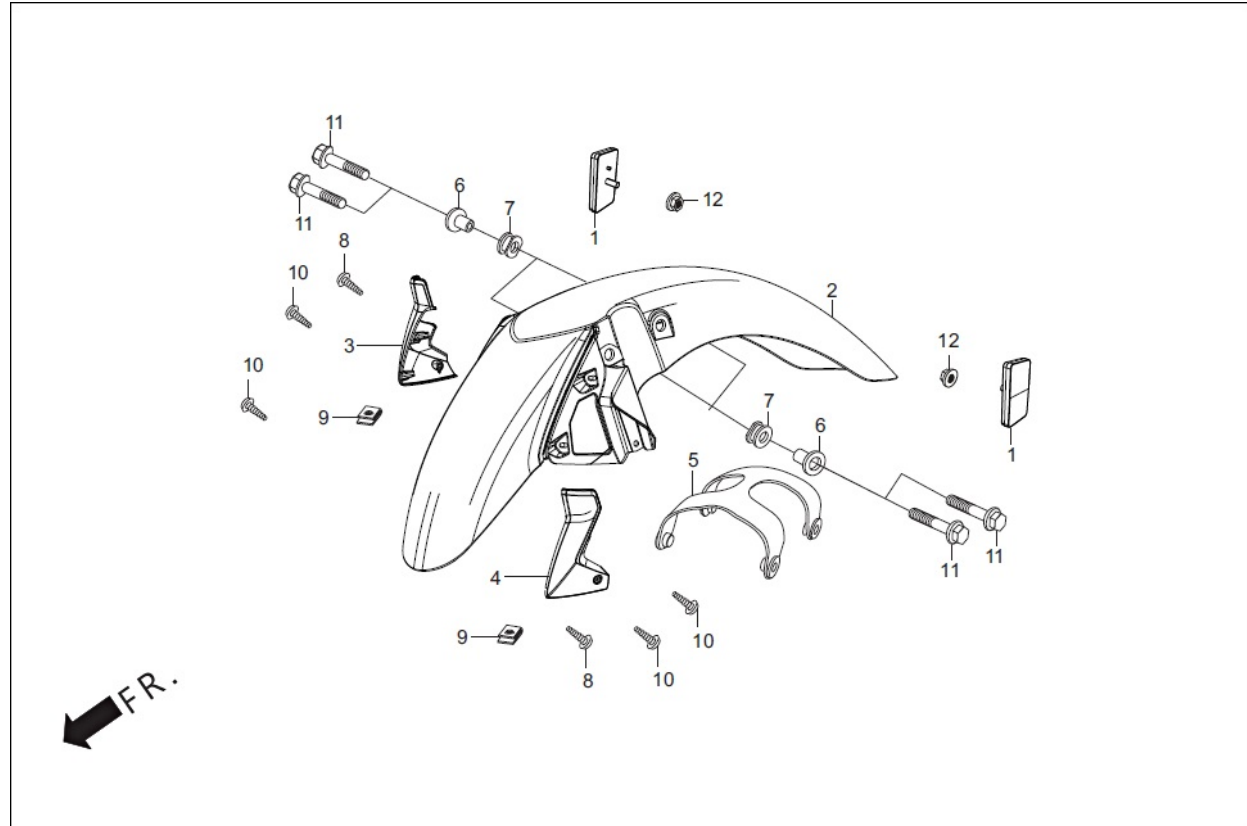
Group Number: F-5 Model :: Hunk (Feb, 2017)

Ref No.	Part Number	Description	Req.
1	50301-KTR-900	RACE, STEERING BALL	2
	50301-KTR-900	RACE, STEERING BALL	2
2	53200-KTN-700	STEM COMP., STRG.	1
	53200-KTN-700	STEM COMP., STRG.	1
3	53211-268-010	RACE, STEERING TOP CONE	1
	53211-268-010	RACE, STEERING TOP CONE	1
4	53212-200-000	RACE, STEERING BOTTOM CONE	1
	53212-200-000	RACE, STEERING BOTTOM CONE	1
5	53214-200-000	DUST SEAL, STEERING HEAD	1
	53214-200-000	DUST SEAL, STEERING HEAD	1
6	53215-KTR-900	BALL, ASSY. STEERING	2
	53215-KTR-900	BALL, ASSY. STEERING	2
7	53216-KVN-970	STAY, CLAMPER	1
	53216-KVN-970	STAY, CLAMPER	1
8	53221-KSP-900	THREAD, STRG., TOP	1
	53221-KSP-900	THREAD, STRG., TOP	1
9	53222-KRM-860	MUD GUARD, STRG., (HEAD TOP)	1
	53222-KRM-860	MUD GUARD, STRG., (HEAD TOP)	1
10	95701-08035-07	BOLT, FLANGE, 8X35	2
	95701-08035-07	BOLT, FLANGE, 8X35	2

F-5 : STRG. STEM

11	96001-06012-07	BOLT, FLANGE, SH., 6 X 12	1
12	96211-08000	BALL STEEL 8 MM	16
	96211-08000	BALL STEEL 8 MM	16
13	96700-06012-07	BOLT, SOCKET, 6 X 12	1
	96700-06012-07	BOLT, SOCKET, 6 X 12	1
14	96700-06020-07	BOLT, SOCKET, 6 X 20	1

F-6 : FRONT FENDER



F-6 : FRONT FENDER

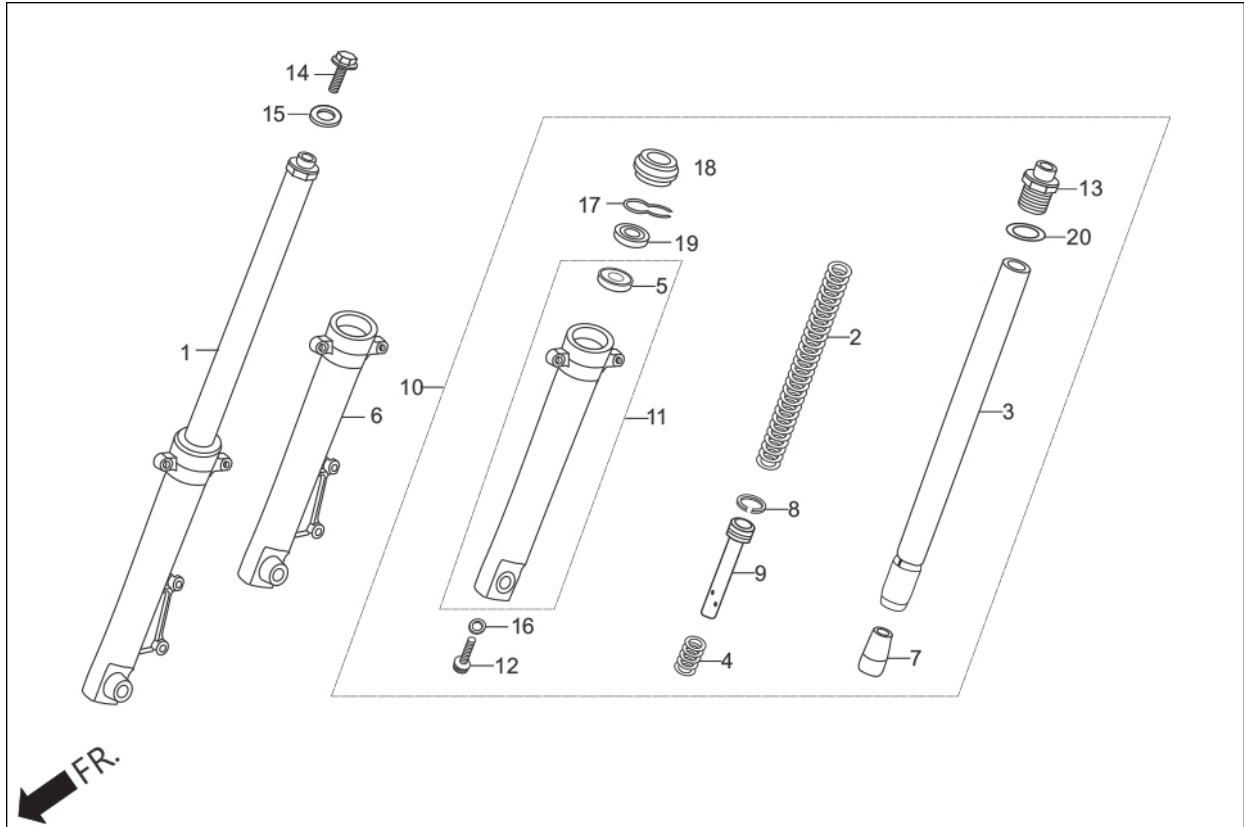
Group Number: F-6 **Model ::** Hunk (Feb, 2017)

Ref No.	Part Number	Description	Req.
1	33740-AAB-000	REFLEX REFLECTOR FRONT	2
	33740-AAB-000	REFLEX REFLECTOR FRONT	2
2	61100-KVN-970ZA	FENDER, FRONT(PANTHER BLACK ME, NH-B08M)	1
	61100-AAK-100U	FENDER FRONT(MBK NH-105)	1
	61100-AAK-100U	FENDER FRONT(MBK NH-105)	1
	61100-KVN-970ZE	FENDER, FRONT(CANDY BLAZING RED, R-195C)	1
	61100-KVN-970ZD	FENDER, FRONT(PEARL HARVEST GREEN, GY-136P)	1
	61100-KVN-970ZG	FENDER, FRONT(SPORTS RED, R-321)	1
	61100-AAK-H70Y	FENDER FRONT(PFW,NH341P)	1
3	61200-KVN-970ZA	COVER R, FR FENDER(PANTHER BLACK ME, NH-B08M)	1
	61200-AAK-100U	COVER RFR FENDER(MBK NH-105)	1
	61200-AAK-100U	COVER RFR FENDER(MBK NH-105)	1
	61200-KVN-970ZE	COVER R, FR FENDER(CANDY BLAZING RED, R-195C)	1
	61200-KVN-970ZD	COVER R, FR FENDER(PEARL HARVEST GREEN, GY-136P)	1
	61200-KVN-970ZG	COVER R, FR FENDER(SPORTS RED, R-321)	1
	61200-AAK-H70Y	COV R, FR FENDER(PFW,NH341P)	1
4	61300-KVN-970ZAH	COVER L, FR FENDER(PBME, NH-B08M)	1
	61300-AAK-100U	COVER LFR FENDER(MBK NH-105)	1
	61300-AAK-100U	COVER LFR FENDER(MBK NH-105)	1
	61300-KVN-970ZE	COVER L, FR FENDER(CANDY BLAZING RED, R-195C)	1

F-6 : FRONT FENDER

	61300-KVN-970ZDH	COVER L, FR FENDER(PHG, GY-136P)	1
	61300-KVN-970ZG	COVER L, FR FENDER(SPORTS RED, R-321)	1
	61300-AAK-H70Y	COV L, FR FENDER(PFW,NH341P)	1
5	61102-KVN-900	STAY, FR. FENDER	1
	61102-KVN-900	STAY, FR. FENDER	1
6	61103-KRY-900	COLLAR, A FR.FENDER	4
	61103-KRY-900	COLLAR, A FR.FENDER	4
7	61105-KTC-900	RUBBER, FRONT FENDER MOUNTING	4
	61105-KTC-900	RUBBER, FRONT FENDER MOUNTING	4
8	90106-KRY-970	SCREW,FAIRING B (5X11.5)	2
9	90320-GC3-000	NUT, SPRING, M5	2
10	93903-34310	SCREW TAPPING M4X12	4
11	96001-06032-00	BOLT, FLANGE, SH., 6 X 32	4
12	90302-KTE-911	NUT FLANGE PT 6MM	2
	90302-KTE-911	NUT FLANGE PT 6MM	2

F-7 : FRONT FORK



F-7 : FRONT FORK

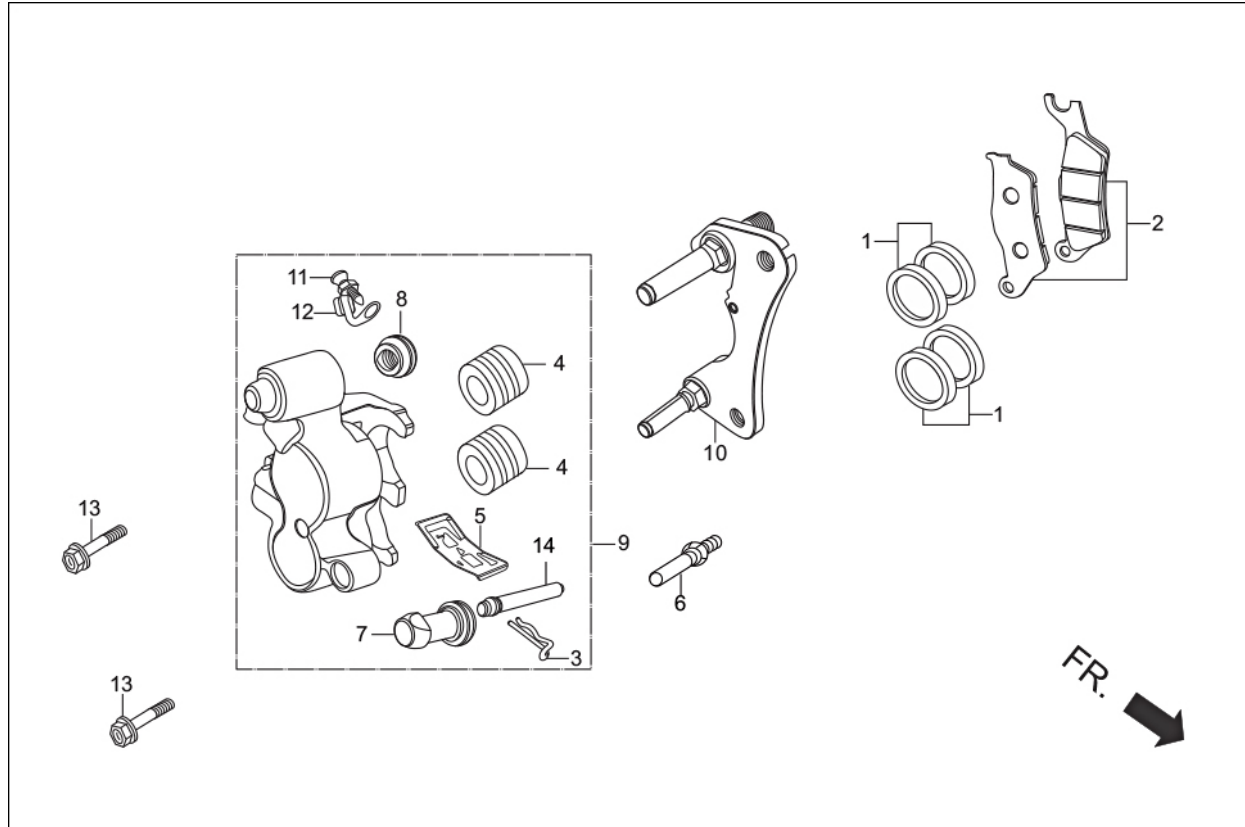
Group Number: F-7 Model :: Hunk (Feb, 2017)

Ref No.	Part Number	Description	Req.
1	51400-AAK-100	FORK ASSY R FRONT	1
	51400-AAK-100	FORK ASSY R FRONT	1
2	51401-KSP-901	SPRING, FRONT FORK	2
3	51410-KVN-901	PIPE COMP., FR. FORK	2
4	51412-KSP-901	SPRING, REBOUND	2
5	51412-KFN-851	SPRING, BACK UP	2
	51412-KFN-851	SPRING, BACK UP	2
6	51420-AAB-000	CASE COMP R FR BOTTOM	1
7	51432-KFN-851	PIECE, OIL LOCK	2
8	51437-KVN-901	RING, PISTON	2
9	51440-KVN-901	PIPE, SEAT	2
10	51500-AAK-100	FORK ASSY L FRONT	1
	51500-AAK-100	FORK ASSY L FRONT	1
11	51520-AAB-000	CASE COMP L FR BOTTOM	1
12	90116-KAG-900	BOLT, SOCKET, 8 MM	2
13	90123-KSP-901	BOLT, A FRONT FORK	2
14	90123-KRM-860	BOLT, FR. FORK	2
	90123-KRM-860	BOLT, FR. FORK	2
15	90521-292-000	WASHER, PLAIN, 10.3 MM	2
	90521-292-000	WASHER, PLAIN, 10.3 MM	2

F-7 : FRONT FORK

16	90544-KFN-851	WASHER, SPECIAL, 8MM	2
17	90601-KFN-851	RING, OIL SEAL STOP	2
18	91254-GAA-003R	SEAL, DUST	2
	91254-GAA-003R	SEAL, DUST	2
19	91255-KRM-852	SEAL OIL 31X43X10.3	2
	91255-KRM-852	SEAL OIL 31X43X10.3	2
20	91356-KAG-900	O - RING	2

F-8 : CALIPER ASSY 'R' FR

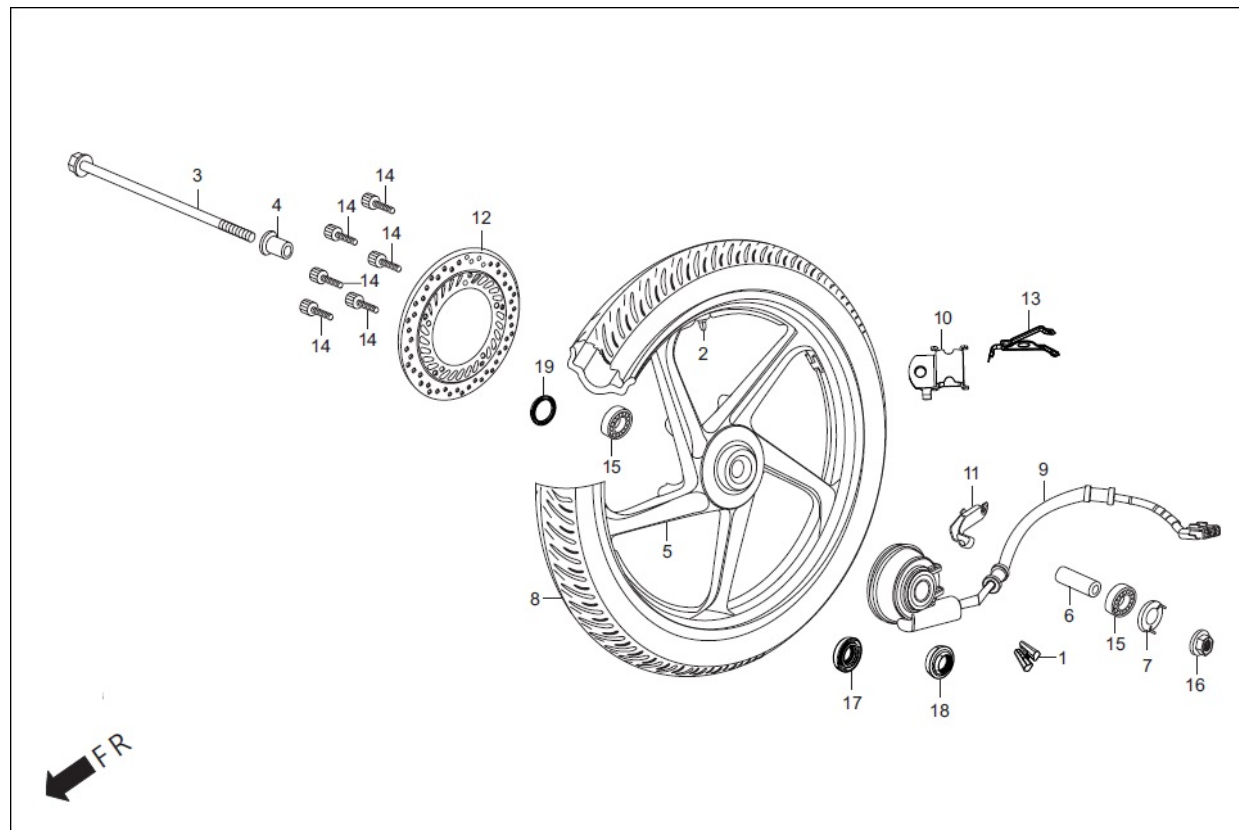


F-8 : CALIPER ASSY 'R' FR

Group Number: F-8 **Model ::** Hunk (Feb, 2017)

Ref No.	Part Number	Description	Req.
1	06451-KCC-841	SEAL SET, PISTON	2
	06451-KCC-841	SEAL SET, PISTON	2
2	06455-KCC-841	PAD SET, FRONT	1
	06455-KCC-841	PAD SET, FRONT	1
3	43216-MAK-003	CLIP	1
4	45107-KCC-841	PISTON, 26	2
5	45108-KCC-841	PAD, SPRING	1
6	45131-GE2-006L	PIN BOLT A	1
	45131-GE2-006L	PIN BOLT A	1
7	45132-KCC-841	BUSH, BOOT PIN	1
8	45133-KCC-841	BOOT,B	1
9	45250-KCC-841	CALIPER SUB ASSY., R FR	1
	45250-KCC-841	CALIPER SUB ASSY., R FR	1
10	45290-KCC-841	BRKT. SUB ASSY., R FR	1
	45290-KCC-841	BRKT. SUB ASSY., R FR	1
11	45352-KCC-841	SCREW, BLEEDER	1
12	45353-KCC-841	CAP, BLEEDER	1
13	90155-KSP-900	BOLT , FLANGE 8X25	2
14	45220-KCC-841	PIN COMP., HANGER	1

F-9 : FRONT WHEEL



F-9 : FRONT WHEEL

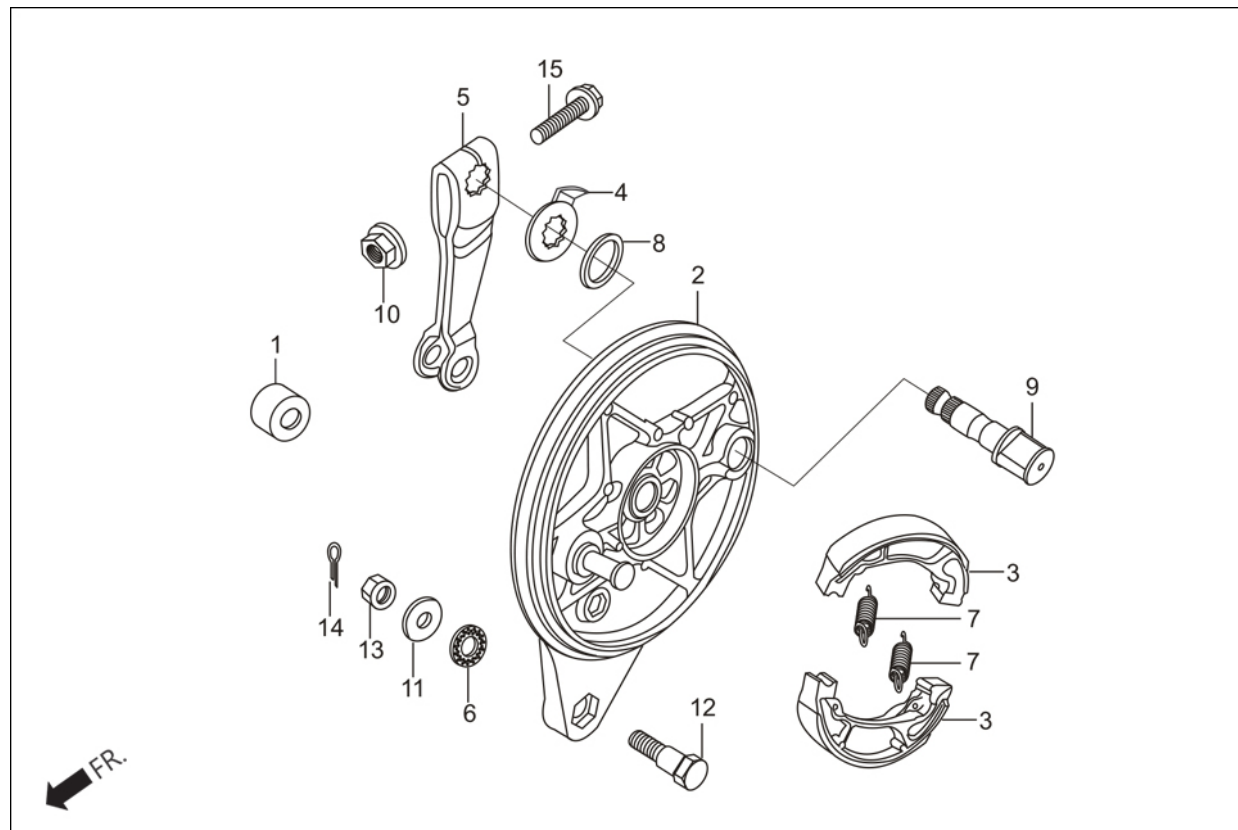
Group Number: F-9 **Model ::** Hunk (Feb, 2017)

Ref No.	Part Number	Description	Req.
1	42704-MB0-000	WEIGHT, BALANCE 10	1
	42704-MB0-000	WEIGHT, BALANCE 10	1
	42705-MB0-000	WEIGHT, BALANCE 20	1
	42705-MB0-000	WEIGHT, BALANCE 20	1
	42706-MB0-000	WEIGHT, BALANCE 30	1
	42706-MB0-000	WEIGHT, BALANCE 30	1
2	42753-KWF-90099	RIM VALVE	1
3	44301-KSP-900	AXLE, FRONT WHEEL	1
	44301-KSP-900	AXLE, FRONT WHEEL	1
4	44311-KRC-900	COLLAR, FR. WHEEL SIDE	1
	44311-KRC-900	COLLAR, FR. WHEEL SIDE	1
5	44601-AAK-H71	WHEEL FR	1
	44601-AAK-H71	WHEEL FR	1
6	44620-400-000	COLLAR, FRONT DISTANCE	1
	44620-400-000	COLLAR, FRONT DISTANCE	1
7	44680-KSP-B00	RETAINER,GEAR BOX	1
	44680-KSP-B00	RETAINER,GEAR BOX	1
8	44711-KRY-971	TYRE,FR	1
	44711-KRY-971	TYRE,FR	1
9	44800-KVN-971	SENSOR ASSY,SPEED	1

F-9 : FRONT WHEEL

	44800-KVN-971	SENSOR ASSY,SPEED	1
10	44818-KSP-B00	CLAMPER B , SPDMT CORD	1
	44818-KSP-B00	CLAMPER B , SPDMT CORD	1
11	45164-KVN-970	CLAMPER , SP SENSOR	1
	45164-KVN-970	CLAMPER , SP SENSOR	1
12	45251-KSP-861	DISC, FR. BRAKE	1
	45251-KSP-861	DISC, FR. BRAKE	1
13	53216-KVN-970	STAY,CLAMPER	1
	53216-KVN-970	STAY,CLAMPER	1
14	90105-KGH-900	BOLT, FR. DISK, 8 X 24	6
15	96150-63010-10	BEARING, BALL RADIAL, 6301 (UU)	2
	96150-63010-10	BEARING, BALL RADIAL, 6301 (UU)	2
16	90306-KST-942	NUT, CASTLE, 12 MM	1
	90306-KST-942	NUT, CASTLE, 12 MM	1
	90306-KTE-911	NUT, CASTLE, 12 MM	1
	90306-KTE-911	NUT, CASTLE, 12 MM	1
17	90755-229-000	OIL SEAL, 21 X 37 X 7	1
	90755-229-000	OIL SEAL, 21 X 37 X 7	1
18	91251-KPH-901	DUST SEAL, 21 X 37 X 7	1
	91251-KPH-901	DUST SEAL, 21 X 37 X 7	1
19	91258-KWC-901	DUST SEAL, 40X50X5	1
	91258-KWC-901	DUST SEAL, 40X50X5	1

F-10 : REAR BRAKE PANEL



F-10 : REAR BRAKE PANEL

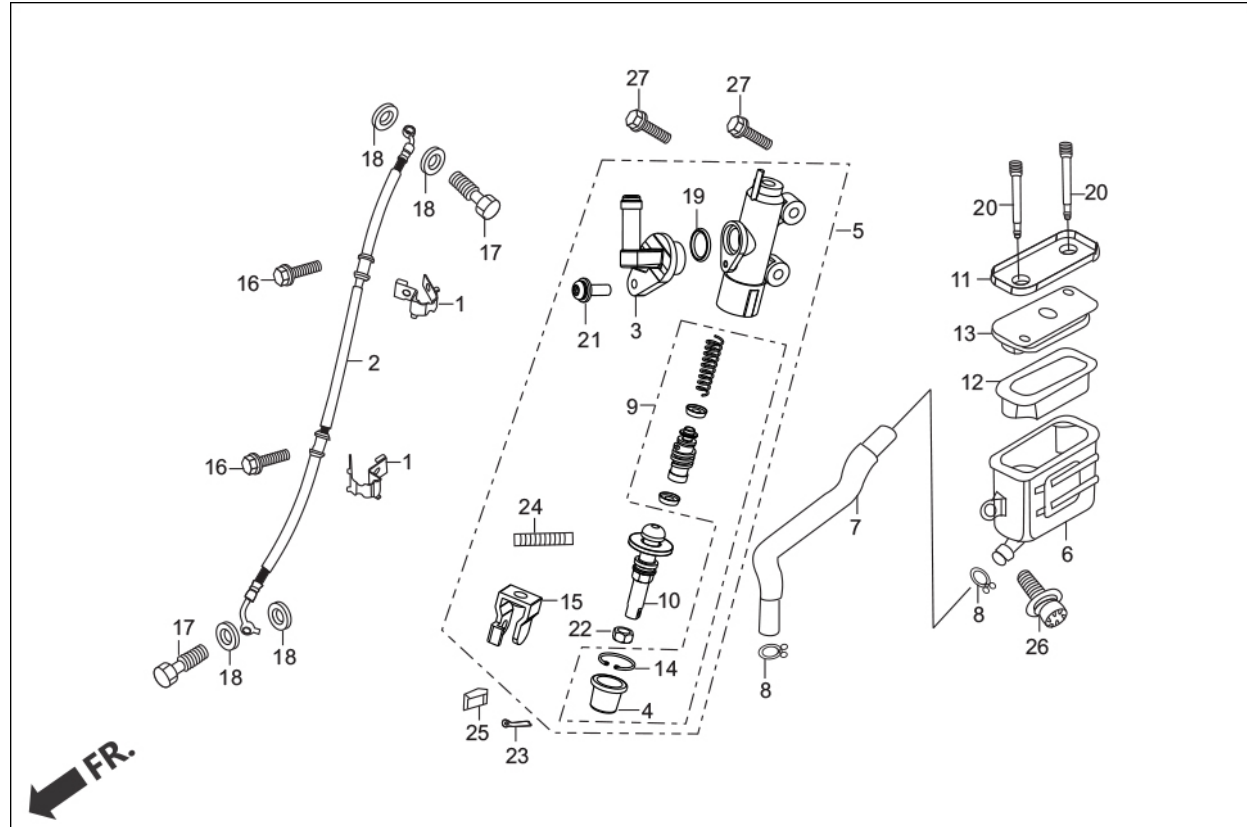
Group Number: F-10 **Model ::** Hunk (Feb, 2017)

Ref No.	Part Number	Description	Req.
1	42313-240-000	COLLAR, RR., BRAKE PANEL SIDE	1
2	43100-KRY-930	PANEL COMP., RR. BRAKE	1
	43100-KRY-930	PANEL COMP., RR. BRAKE	1
3	45125-AAH-F0099	SHOE COMP BRAKE	2
4	43145-149-000	INDICATOR, RR. BRAKE	1
	43145-149-000	INDICATOR, RR. BRAKE	1
5	43410-KRY-930	ARM, REAR BRAKE	1
	43410-KRY-930	ARM, REAR BRAKE	1
6	43434-ME1-670	RUBBER, STOPPER ARM	1
	43434-ME1-670	RUBBER, STOPPER ARM	1
7	45133-KCC-900	SPRING, FR. BRAKE SHOE	2
	45133-KCC-900	SPRING, FR. BRAKE SHOE	2
8	45134-250-000	DUST SEAL, BRAKE CAM	1
	45134-250-000	DUST SEAL, BRAKE CAM	1
9	45141-KTC-900	CAM FR. BRAKE	1
	45141-KTC-900	CAM FR. BRAKE	1
10	90301-473-000	NUT,U 6MM	1
	90301-473-000	NUT,U 6MM	1
11	90505-425-000	WASHER, 8 MM	1
	90505-425-000	WASHER, 8 MM	1

F-10 : REAR BRAKE PANEL

12	92811-10000	BOLT A BRAKE STOPPER	1
	92811-10000	BOLT A BRAKE STOPPER	1
13	94001-08000-0S	NUT, HEX., 8 MM	1
	94001-08000-0S	NUT, HEX., 8 MM	1
14	94201-20150	PIN, SPLIT, 2.0 X 15	1
	94201-20150	PIN, SPLIT, 2.0 X 15	1
15	95701-06035-00	BOLT, FLANGE, 6X35	1
	95701-06035-00	BOLT, FLANGE, 6X35	1

F-10A-DISC : REAR BRAKE MASTER CYL.



F-10A-DISC : REAR BRAKE MASTER CYL.

Group Number: F-10A-DISC Model :: Hunk (Feb, 2017)

Ref No.	Part Number	Description	Req.
1	43155-KRY-970	CLAMPER RR BRAKE HOSE	2
	43155-KRY-970	CLAMPER RR BRAKE HOSE	2
2	43310-AAK-100	HOSE COMP RR BRAKE	1
	43310-AAK-100	HOSE COMP RR BRAKE	1
3	43503-MEE-006	CONNECTOR	1
4	43504-MB2-006	BOOT COMP.	1
5	43510-KRY-971	M/C SUB ASSY REAR	1
	43510-KRY-971	M/C SUB ASSY REAR	1
6	43511-KW7-881	OIL CUP COMP.	1
	43511-KW7-881	OIL CUP COMP.	1
7	43512-KVN-971	HOSE COMP,RR M/C	1
	43512-KVN-971	HOSE COMP,RR M/C	1
8	43514-KS6-701	CLAMP. M/C OIL HOSE	2
	43514-KS6-701	CLAMP. M/C OIL HOSE	2
9	43520-MJ6-315	PISTON SET M/C	1
	43520-MJ6-315	PISTON SET M/C	1
10	43530-MV9-006	PUSH ROD COMP.	1
11	45513-GW0-911	CAP M/C	1
	45513-GW0-911	CAP M/C	1
12	45520-GW0-911	DIAPHRAGM	1

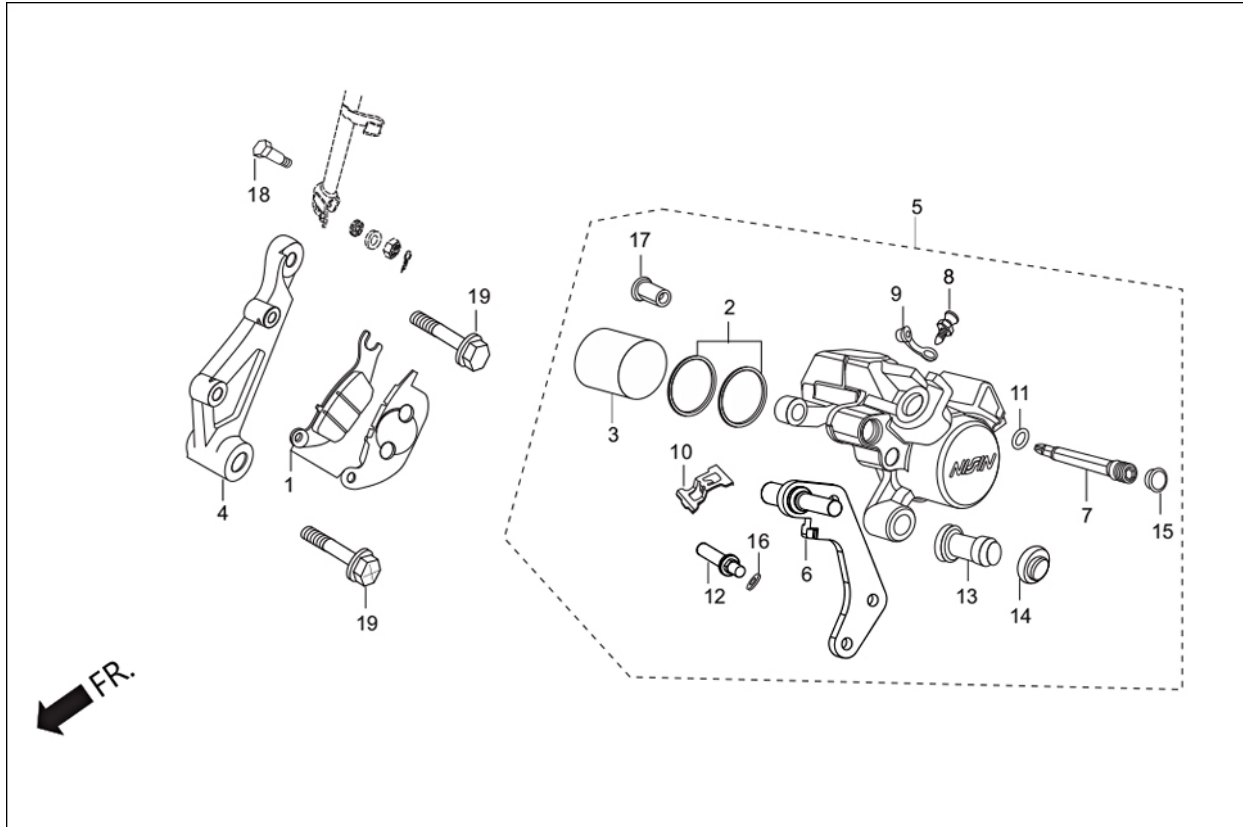
F-10A-DISC : REAR BRAKE MASTER CYL.

	45520-GW0-911	DIAPHRAGM	1
13	45521-GW0-911	PLATE DIAPHRAGM	1
	45521-GW0-911	PLATE DIAPHRAGM	1
14	46182-MEL-D21	CIRCLIP	1
15	46504-KV6-702	JOINT BRK ROD	1
16	90103-MCS-G00	BOLT, FLANGE SH.6X12	2
17	90145-MS9-610	OIL BOLT, 10 X 22	2
	90145-MS9-610	OIL BOLT, 10 X 22	2
18	90545-300-000	WASHER ,OIL BOLT	4
	90545-300-000	WASHER ,OIL BOLT	4
19	91212-422-006	O RING	1
	91212-422-006	O RING	1
20	93600-04045-1G	SCREW FLAT 4X45	2
	93600-04045-1G	SCREW FLAT 4X45	2
21	93893-04012-17L	SCREW WASHER 4X12	1
22	94002-08000-0S	NUT HEX.8 MM	1
23	94201-20150	PIN, SPLIT, 2.0 X 15	1
	94201-20150	PIN, SPLIT, 2.0 X 15	1
24	94305-20102	PIN SPRING 2X10	1
25	95015-54000	PIN D JOINT	1
	95015-54000	PIN D JOINT	1
26	95701-06012-00	BOLT, FLANGE, 6X12	1

F-10A-DISC : REAR BRAKE MASTER CYL.

	95701-06012-00	BOLT, FLANGE, 6X12	1
27	95701-06022-00	BOLT, FLANGE, SH. 6 X 22	2
	95701-06022-00	BOLT, FLANGE, SH. 6 X 22	2

F-10B-DISC : CALIPER ASSY. REAR



F-10B-DISC : CALIPER ASSY. REAR

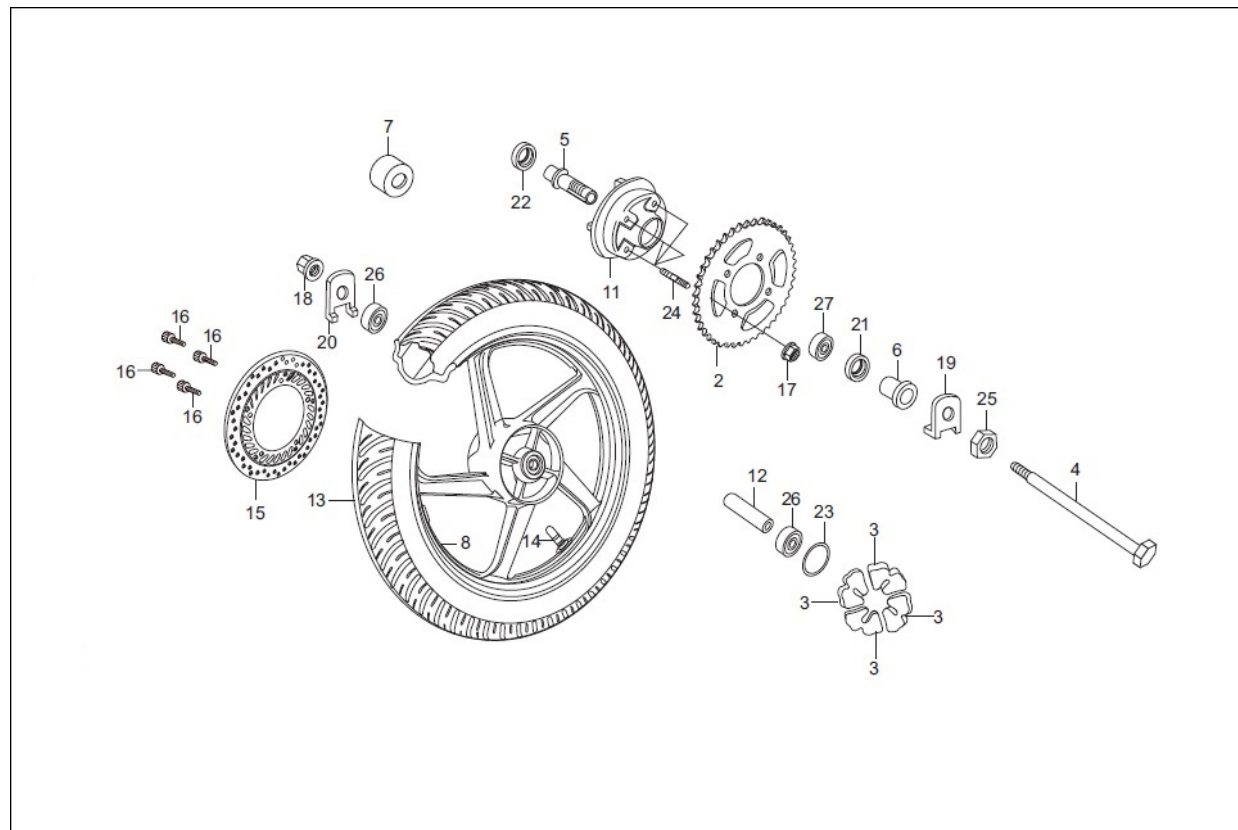
Group Number: F-10B-DISC Model :: Hunk (Feb, 2017)

Ref No.	Part Number	Description	Req.
1	06435-KRY-971	PAD SET, RR.	1
	06435-KRY-971	PAD SET, RR.	1
2	06451-MA7-405	SEAL SET, PISTON	1
	06451-MA7-405	SEAL SET, PISTON	1
3	43107-MA7-006	PISTON	1
	43107-MA7-006	PISTON	1
4	43115-KVN-971	HOLDER RR CALIPER	1
	43115-KVN-971	HOLDER RR CALIPER	1
5	43150-KRY-972	CALIPER SUB ASSY. RR	1
	43150-KRY-972	CALIPER SUB ASSY. RR	1
6	43190-KRY-971	BRKT SUB ASSY, RR.	1
7	43215-KGH-901	PIN,HANGER	2
8	43352-568-003L	SCREW BLEEDER	1
9	43353-461-771L	CAP BLEEDER	1
10	45108-KCC-841	PAD, SPRING	1
11	45111-MAJ-G41	STOPPER RING	1
12	45131-GZ0-006L	PIN BOLT	1
13	45132-166-016L	BUSH BOOT PIN	1
14	45133-MA3-006L	BOOT B	1
15	45203-MCC-006	PLUG,PIN	1

F-10B-DISC : CALIPER ASSY. REAR

16	45216-166-006L	WASHER WAVE	1
17	45216-KPP-861	TORQUE NUT	1
18	90127-KRY-970	BOLT TORQUE LINK	1
	90127-KRY-970	BOLT TORQUE LINK	1
19	90155-KY4-900	BOLT, FLANGE, 8 X 25	2
	90155-KY4-900	BOLT, FLANGE, 8 X 25	2

F-11-DISC : REAR WHEEL



F-11-DISC : REAR WHEEL

Group Number: F-11-DISC Model :: Hunk (Feb, 2017)

Ref No.	Part Number	Description	Req.
2	41201-KVN-970	SPROCKET,FINAL DRIVEN 43T	1
	41201-KVN-970	SPROCKET,FINAL DRIVEN 43T	1
3	41241-KSP-900	DAMPER, RR WHEEL	4
	41241-KSP-900	DAMPER, RR WHEEL	4
4	42301-KVE-900	AXLE,RR. WHEEL	1
	42301-KVE-900	AXLE,RR. WHEEL	1
5	42303-KRY-931	SLEEVE, REAR WHEEL	1
	42303-KRY-931	SLEEVE, REAR WHEEL	1
6	42311-KVE-900	COLLAR, RR WHEEL SIDE	1
	42311-KVE-900	COLLAR, RR WHEEL SIDE	1
7	42313-KRY-970	COLLAR RR. BRAKE SIDE	1
	42313-KRY-970	COLLAR RR. BRAKE SIDE	1
8	42601-AAR-H71	WHEEL COMP RR	1
	42601-AAR-H71	WHEEL COMP RR	1
11	42611-KVN-970	FLANGE,FINAL DRIVEN	1
	42611-KVN-970	FLANGE,FINAL DRIVEN	1
12	42620-KSP-900	COLLAR, REAR AXLE DISTANCE	1
	42620-KSP-900	COLLAR, REAR AXLE DISTANCE	1
13	42711-KRY-971	TYRE,RR	1
	42711-KRY-971	TYRE,RR	1

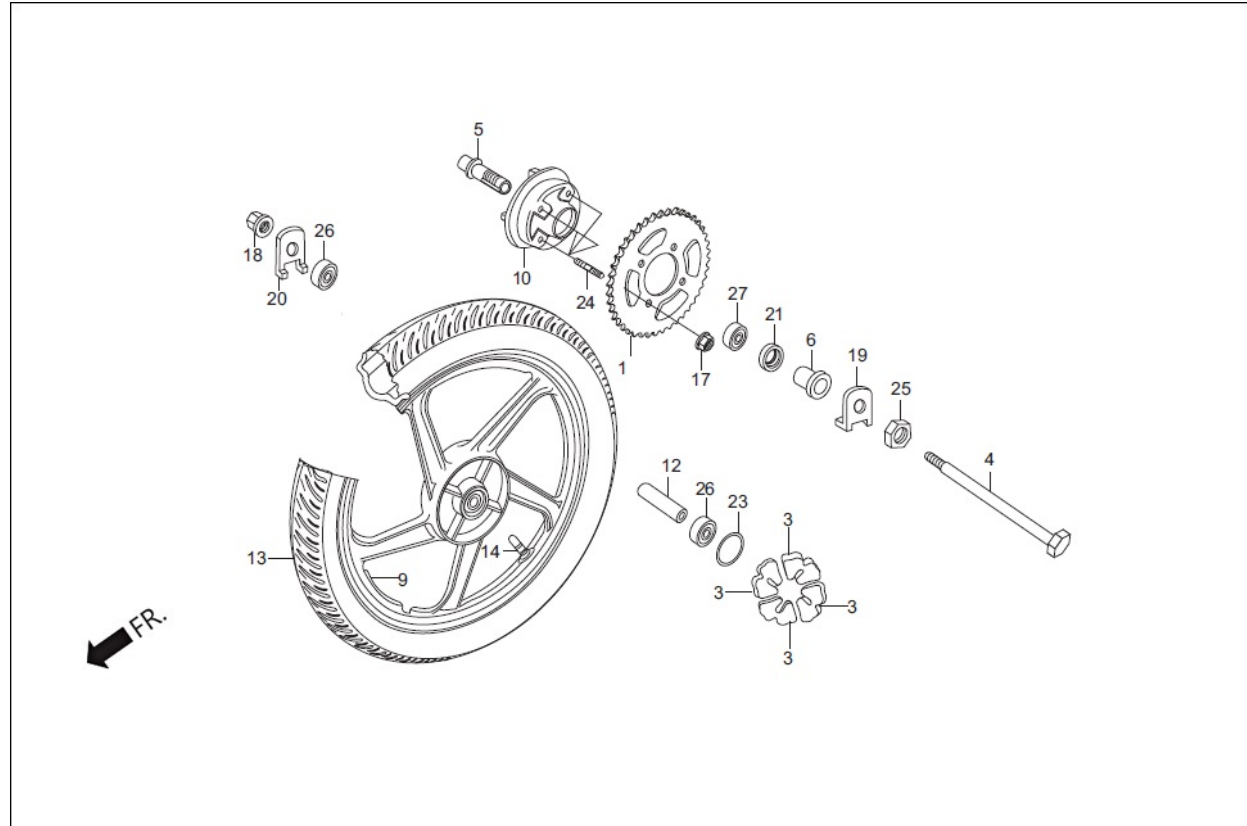
F-11-DISC : REAR WHEEL

14	42753-KWF-90099	RIM VALVE	1
15	43251-KVN-971	DISC,RR BRAKE	1
	43251-KVN-971	DISC,RR BRAKE	1
16	90105-KL8-741	BOLT, FR.DISK, 8 X 24	4
	90105-KL8-741	BOLT, FR.DISK, 8 X 24	4
17	90304-KCS-920	NUT`U 10 MM	4
	90304-KCS-920	NUT`U 10 MM	4
	90304-KST-942	NUT FLG.PT 10MM	4
	90304-KST-942	NUT FLG.PT 10MM	4
18	90305-KVN-900	NUT, FLG. PT. 14 MM	1
	90305-KVN-900	NUT, FLG. PT. 14 MM	1
19	90559-KRY-970	WASHER, L RR AXLE	1
	90559-KRY-970	WASHER, L RR AXLE	1
20	90560-KVN-970	WASHER R RR AXLE	1
	90560-KVN-970	WASHER R RR AXLE	1
21	91253-KSP-901	DUST SEAL, 30 X 47 X 8	1
	91253-KSP-901	DUST SEAL, 30 X 47 X 8	1
22	91257-230-003	OIL SEAL 28X42X7	1
	91257-230-003	OIL SEAL 28X42X7	1
23	91352-KSP-900	O RING, 51 X 2	1
	91352-KSP-900	O RING, 51 X 2	1
24	92915-10025-OE	BOLT, STUD II, 10X25	4

F-11-DISC : REAR WHEEL

	92915-10025-0E	BOLT, STUD II, 10X25	4
25	95020-15100	NUT `E STEM	1
	95020-15100	NUT `E STEM	1
26	96140-63020-10	BRG., BALL RADIAL, 6302 (U)	2
	96140-63020-10	BRG., BALL RADIAL, 6302 (U)	2
27	96150-60050-10	BEARING, BALL RADIAL, 6005	1
	96150-60050-10	BEARING, BALL RADIAL, 6005	1

F-11-DRUM : REAR WHEEL



F-11-DRUM : REAR WHEEL

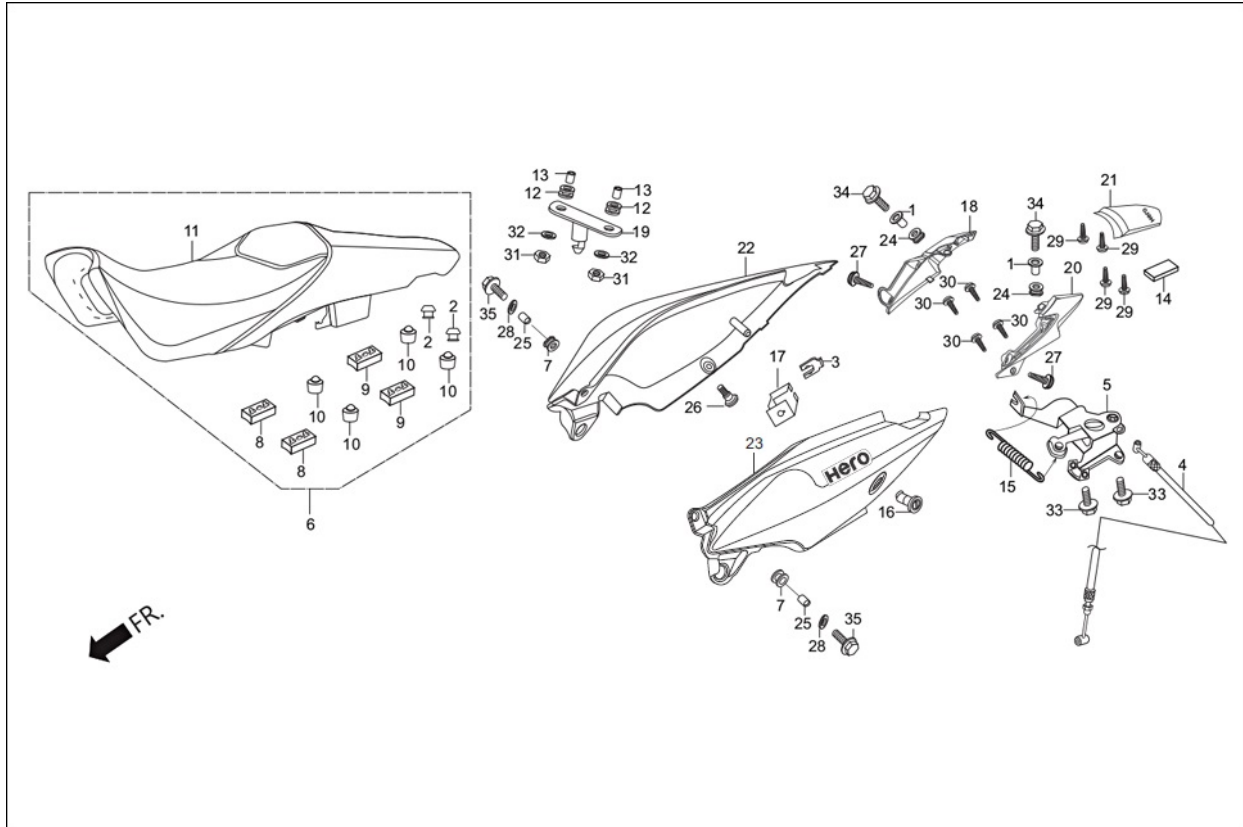
Group Number: F-11-DRUM Model :: Hunk (Feb, 2017)

Ref No.	Part Number	Description	Req.
1	41201-KVE-900	SPROCKET, FINAL DRIVEN (43T)	1
3	41241-KSP-900	DAMPER, RR WHEEL	4
	41241-KSP-900	DAMPER, RR WHEEL	4
4	42301-KVE-900	AXLE,RR.WHEEL	1
	42301-KVE-900	AXLE,RR.WHEEL	1
5	42303-KRY-931	SLEEVE, REAR WHEEL	1
	42303-KRY-931	SLEEVE, REAR WHEEL	1
6	42311-KVE-900	COLLAR, RR WHEEL SIDE	1
	42311-KVE-900	COLLAR, RR WHEEL SIDE	1
9	42601-AAK-H81	WHEEL COMP RR	1
10	42611-KRY-930	FLANGE, FINAL DRIVEN(NH-35M)	1
	42611-KRY-930	FLANGE, FINAL DRIVEN(NH-35M)	1
12	42620-KSP-900	COLLAR, REAR AXLE DISTANCE	1
	42620-KSP-900	COLLAR, REAR AXLE DISTANCE	1
13	42711-KRY-971	TYRE,RR	1
	42711-KRY-971	TYRE,RR	1
14	42753-KWF-90099	RIM VALVE	1
17	90304-KCS-920	NUT`U 10 MM	4
	90304-KCS-920	NUT`U 10 MM	4
	90304-KST-942	NUT FLG.PT 10MM	4

F-11-DRUM : REAR WHEEL

	90304-KST-942	NUT FLG.PT 10MM	4
18	90305-KVN-900	NUT, FLG. PT. 14 MM	1
	90305-KVN-900	NUT, FLG. PT. 14 MM	1
19	90559-KVN-900	WASHER, L. RR. AXLE	1
20	90560-KVN-970	WASHER R RR AXLE	1
	90560-KVN-970	WASHER R RR AXLE	1
21	91253-KSP-901	DUST SEAL, 30 X 47 X 8	1
	91253-KSP-901	DUST SEAL, 30 X 47 X 8	1
23	91352-KSP-900	O RING, 51 X 2	1
	91352-KSP-900	O RING, 51 X 2	1
24	92915-10025-0E	BOLT, STUD II, 10X25	4
	92915-10025-0E	BOLT, STUD II, 10X25	4
25	95020-15100	NUT `E STEM	1
	95020-15100	NUT `E STEM	1
26	96140-63020-10	BRG., BALL RADIAL, 6302 (U)	2
	96140-63020-10	BRG., BALL RADIAL, 6302 (U)	2
27	96150-60050-10	BEARING, BALL RADIAL, 6005	1
	96150-60050-10	BEARING, BALL RADIAL, 6005	1

F-12 : SEAT ASSY. /COWL



F-12 : SEAT ASSY. /COWL

Group Number: F-12 Model :: Hunk (Feb, 2017)

Ref No.	Part Number	Description	Req.
1	19052-KV0-000	COLLAR, RADIATOR MTG	2
	19052-KV0-000	COLLAR, RADIATOR MTG	2
2	50354-428-000	STOPPER,RUBBERB	2
	50354-428-000	STOPPER,RUBBERB	2
3	75582-KCW-870	SET SPG, LOCK KEY	1
	75582-KCW-870	SET SPG, LOCK KEY	1
4	77156-KVN-970	CABLE,SEAT LOCK	1
	77156-KVN-970	CABLE,SEAT LOCK	1
5	77160-KVN-970	BRKT COMP SEAT LOCK	1
	77160-KVN-970	BRKT COMP SEAT LOCK	1
6	77200-KVN-900	SEAT, COMP, DOUBLE	1
	77200-KVN-900	SEAT, COMP, DOUBLE	1
7	77202-KCC-900	RUBBER, SEAT MOUNTING	2
	77202-KCC-900	RUBBER, SEAT MOUNTING	2
8	77204-KCC-900	RUBBER, `A SEAT SETTING	2
	77204-KCC-900	RUBBER, `A SEAT SETTING	2
9	77205-KVE-900	RUBBER, B SEAT SETTING	2
10	77206-KFN-850	RUBBER SEAT CUSHION	4
11	7720B-KVN-900	COVER, SEAT ASSY.	1
12	77228-GBG-850	RUBBER SEAT LOCK BAR	2

F-12 : SEAT ASSY. /COWL

	77228-GBG-850	RUBBER SEAT LOCK BAR	2
13	77229-GBG-850	COLLER SEAT LOCK BAR	2
	77229-GBG-850	COLLER SEAT LOCK BAR	2
14	77231-KVN-900	CUSHION COWL CENTER	1
	77231-KVN-900	CUSHION COWL CENTER	1
15	77234-KVN-900	SPRING, SEAT LOCK	1
	77234-KVN-900	SPRING, SEAT LOCK	1
16	77239-AAL-H00	KEY SEAT LOCK	1
17	77244-KVN-900	STAY, SEAT LOCK CABLE	1
	77244-KVN-900	STAY, SEAT LOCK CABLE	1
18	77250-KVN-900	BASE R, REAR COWL (MBL)	1
	77250-KVN-900	BASE R, REAR COWL (MBL)	1
19	77260-KVE-900	BAR ASSY. SEAT LOCK	1
	77260-KVE-900	BAR ASSY. SEAT LOCK	1
20	77260-KVN-900H	BASE L, REAR COWL (MBL)	1
	77260-KVN-900H	BASE L, REAR COWL (MBL)	1
21	77280-AAK-100	SET RR CENTRE COWL	1
	77280-AAK-100	SET RR CENTRE COWL	1
22	77315-AAK-H70ZA	SET, R REAR COWL(PBME,NH-B08M)	1
	77315-AAK-600U	SET, R. RR COWL (MAT BLACK)	1
	77315-AAK-600U	SET, R. RR COWL (MAT BLACK)	1
	77315-AAK-H70ZE	SET, R REAR COWL(CBR,R-195C)	1

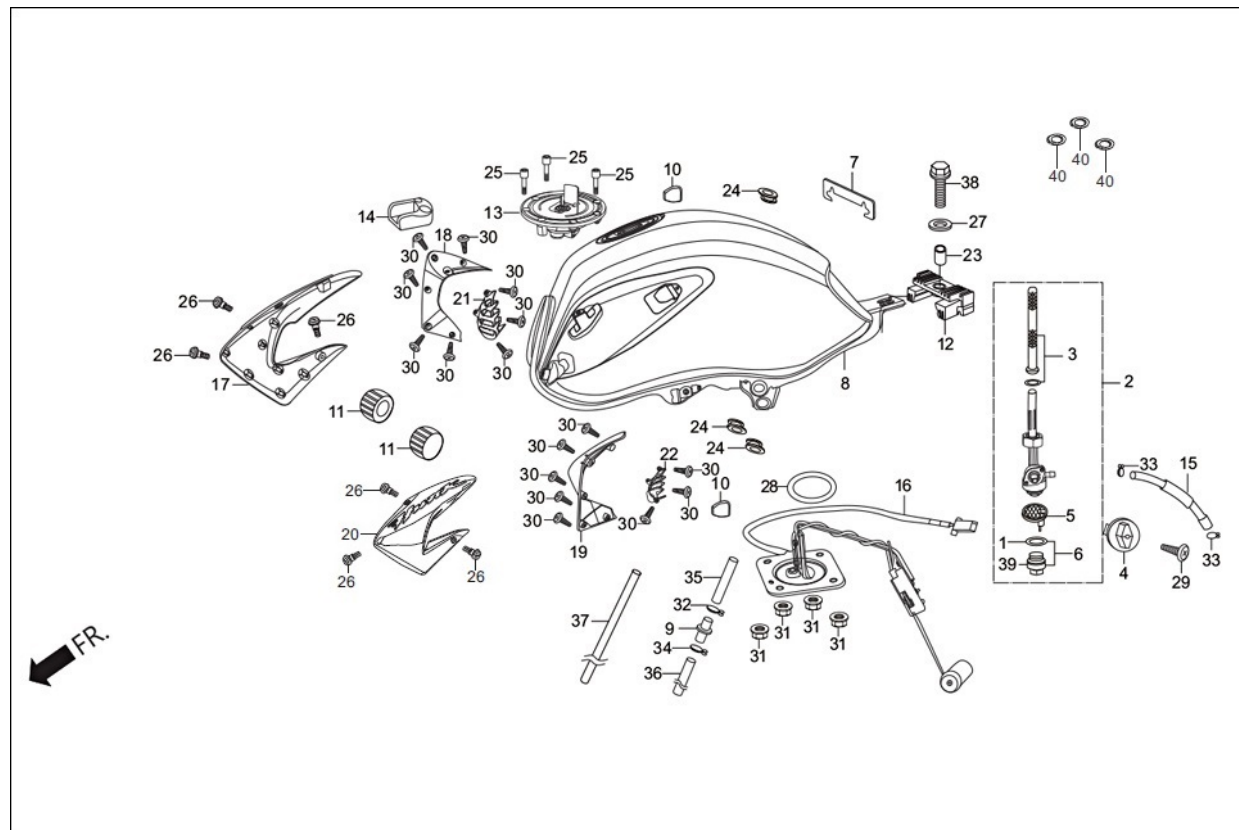
F-12 : SEAT ASSY. /COWL

	77315-AAK-H70ZDH	SET, R REAR COWL(PHG,GY-136P)	1
	77315-AAK-H70ZGH	SET, R REAR COWL(SPORTS RED,R-321)	1
	77315-AAK-H70Y	SET, R REAR COWL(PFW,NH341P)	1
23	77325-AAK-H70ZA	SET, L REAR COWL(PBME,NH-B08M)	1
	77325-AAK-600U	SET, L. RR COWL (MAT BLACK)	1
	77325-AAK-600U	SET, L. RR COWL (MAT BLACK)	1
	77325-AAK-H70ZE	SET, L REAR COWL(CBR,R-195C)	1
	77325-AAK-H70ZDH	SET, L REAR COWL(PHG,GY-136P)	1
	77325-AAK-H70ZGH	SET, L REAR COWL(SRD,R-321)	1
	77325-AAK-H70Y	SET, L REAR COWL(PFW,NH341P)	1
24	83545-KCJ-690	RUBBER, SIDE COVER	2
	83545-KCJ-690	RUBBER, SIDE COVER	2
25	84702-KCC-900	COLLAR, STAY NO. PLATE SET	2
	84702-KCC-900	COLLAR, STAY NO. PLATE SET	2
26	90101-087-720	SCREW, HEAD LIGHT SET	1
27	90103-KVN-900	SCREW, PAN 5 X 13.5	2
28	90563-355-000	WASHER, WHEEL, 6 MM	2
29	93903-34380	SCREW, TAPPING, 4X12	4
	93903-34380	SCREW, TAPPING, 4X12	4
30	93903-35280	SCREW, TAPPING, 5 X 12	4
31	94001-06000-0S	NUT, HEX., 6 MM	2
	94001-06000-0S	NUT, HEX., 6 MM	2

F-12 : SEAT ASSY. /COWL

32	94103-06700	WASHER, PLAIN, 6 MM	2
33	95701-06018-00	BOLT FLANGE 6X18	2
34	95701-06020-00	BOLT, FLANGE, 6X20	2
	95701-06020-00	BOLT, FLANGE, 6X20	2
35	95701-06022-00	BOLT, FLANGE, SH. 6 X 22	2
	95701-06022-00	BOLT, FLANGE, SH. 6 X 22	2

F-13 : FUEL TANK



F-13 : FUEL TANK

Group Number: F-13 Model :: Hunk (Feb, 2017)

Ref No.	Part Number	Description	Req.
1	16173-001-000	O- RING	1
2	16950-AAK-200099	COCK ASSY. FUEL	1
3	16952-KVN-900	SCREEN SET, FEUL STRAINER	1
	16952-KVN-900	SCREEN SET, FEUL STRAINER	1
4	16955-AAK-200	LEVER, FUEL COCK	1
5	16959-HB3-000	FILTER, CUP	1
6	16953-GT4-305	CUP SET, FUEL STRAINER	1
7	17509-KVN-900	FILM, TANK PROTECTOR	1
	17509-KVN-900	FILM, TANK PROTECTOR	1
8	17510-KVN-900ZE	TANK, COMP. FUEL (PANTHER BLACK METALLIC)	1
	17510-AAK-100U	TANK COMP., FUEL (MAT BLACK)	1
	17510-AAK-100U	TANK COMP., FUEL (MAT BLACK)	1
	17510-KVN-900W	TANK COMP FUEL(CBR,R-195C)	1
	17510-KVN-970U	TANK COMP FUEL(PHG,GY-136P)	1
	17510-KVN-900ZD	TANK, COMP. FUEL (SPORTS RED)	1
	17510-AAK-H70Y	TANK COMP FUEL(PFW,NH-341P)	1
9	17525-KVE-900	JOINT TUBE	1
	17525-KVE-900	JOINT TUBE	1
10	17529-KVN-900	RUBBER SHROUD MOUNT	2
	17529-KVN-900	RUBBER SHROUD MOUNT	2

F-13 : FUEL TANK

11	17611-KFN-850	CUSHION, FR. FUEL TANK	2
	17611-KFN-850	CUSHION, FR. FUEL TANK	2
12	17613-MV4-000	CUSHION, RR. FUEL TANK	1
	17613-MV4-000	CUSHION, RR. FUEL TANK	1
13	17620-AAK-H01	CAP COMP. FUEL FILLER	1
	17620-AAK-H01	CAP COMP. FUEL FILLER	1
14	17646-MN8-700	RUBBER SEAL BREATHER	1
	17646-MN8-700	RUBBER SEAL BREATHER	1
15	17681-KVN-900	TUBE, FUEL	1
	17681-KVN-900	TUBE, FUEL	1
16	37800-KVN-901	UNIT, ASSY. FUEL	1
	37800-KVN-901	UNIT, ASSY. FUEL	1
17	50200-AAK-100R	SET R SHROUD(PNB NH-B08M)	1
	50200-AAK-100U	SET R SHROUD(MBK NH-105)	1
	50200-AAK-100U	SET R SHROUD(MBK NH-105)	1
	50200-AAK-100V	SET R SHROUD(CBR R-195C)	1
	50200-AAK-100X	SET R SHROUD(PHG GY-136P)	1
	50200-AAK-100Y	SET R SHROUD(SRD R-321)	1
	50200-AAK-100Z	SET R SHROUD(PFW NH-341P)	1
18	50265-KVN-900	SHROUD, R INNER	1
	50265-KVN-900	SHROUD, R INNER	1
19	50275-KVN-900H	SHROUD, L INNER	1

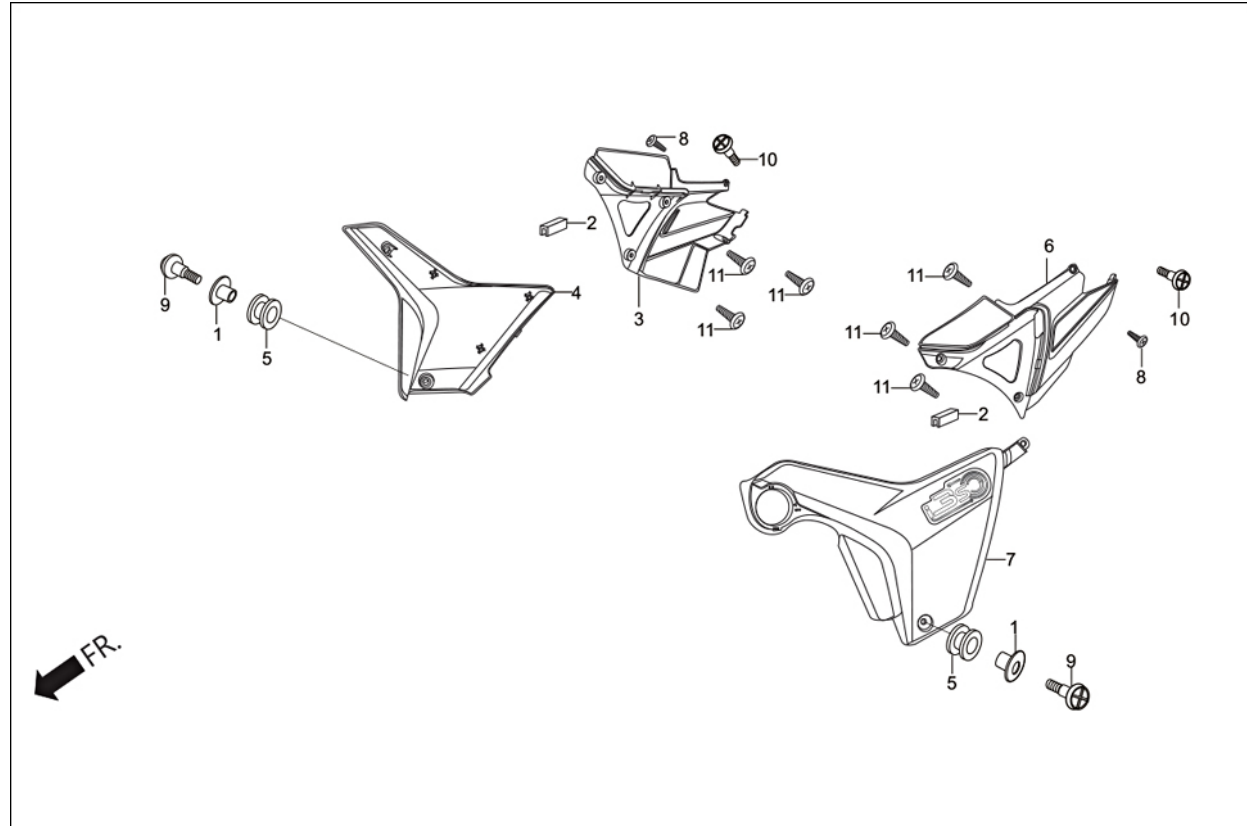
F-13 : FUEL TANK

	50275-KVN-900H	SHROUD, L INNER	1
20	50300-AAK-100R	SET L SHROUD(PNB NH-B08M)	1
	50300-AAK-100U	SET L SHROUD(MBK NH-105)	1
	50300-AAK-100U	SET L SHROUD(MBK NH-105)	1
	50300-AAK-100V	SET L SHROUD(CBR R-195C)	1
	50300-AAK-100X	SET L SHROUD(PHG GY-136P)	1
	50300-AAK-100Y	SET L SHROUD(SRD R-321)	1
	50300-AAK-100Z	SET L SHROUD(PFW NH-341P)	1
21	64720-KVN-900	LOUVER, R	1
	64720-KVN-900	LOUVER, R	1
22	64820-KVN-900	LOUVER, L	1
	64820-KVN-900	LOUVER, L	1
23	80101-KVN-900	COLLAR, 8 X 12	1
	80101-KVN-900	COLLAR, 8 X 12	1
24	83551-300-000	GROMMET, AIR CLEANER CASE	3
	83551-300-000	GROMMET, AIR CLEANER CASE	3
25	90074-KVE-900	BOLT SOCKET 4 X 21	3
26	90108-KVN-900	BOLT, COWL SET	6
27	90534-MV4-000	WASHER ,8.5X28	1
28	91305-443-740	O RING, 39.5 X 5	1
	91305-443-740	O RING, 39.5 X 5	1
29	93500-04025-0G	SCREW, PAN, 4X25	1

F-13 : FUEL TANK

	93500-04025-0G	SCREW, PAN, 4X25	1
30	93903-34380	SCREW, TAPPING, 4X12	16
	93903-34380	SCREW, TAPPING, 4X12	16
31	94050-06000	NUT, FLANGE, 6 MM	4
	94050-06000	NUT, FLANGE, 6 MM	4
32	95002-02080	CLIP, TUBE	1
33	95002-02100	CLIP, B-10 TUBE	2
34	95002-02130	CLIP B 12.5 TUBE	1
35	95005-45470-20	TUBE, BREATHER 4.5 X 470	1
	95005-45470-20	TUBE, BREATHER 4.5 X 470	1
36	95005-80350-20	TUBE, FUEL 8 X 350	1
	95005-80350-20	TUBE, FUEL 8 X 350	1
37	95005-80800-20	TUBE, 8 X 800	1
	95005-80800-20	TUBE, 8 X 800	1
38	95701-08025-00	BOLT, FLANGE 8 X 25	1
39	16967-MA2-770	CUP, FUEL STRAINER	1
40	94111-03800	WASHER, SPRING, 3MM	3

F-14 : SIDE COVER



F-14 : SIDE COVER

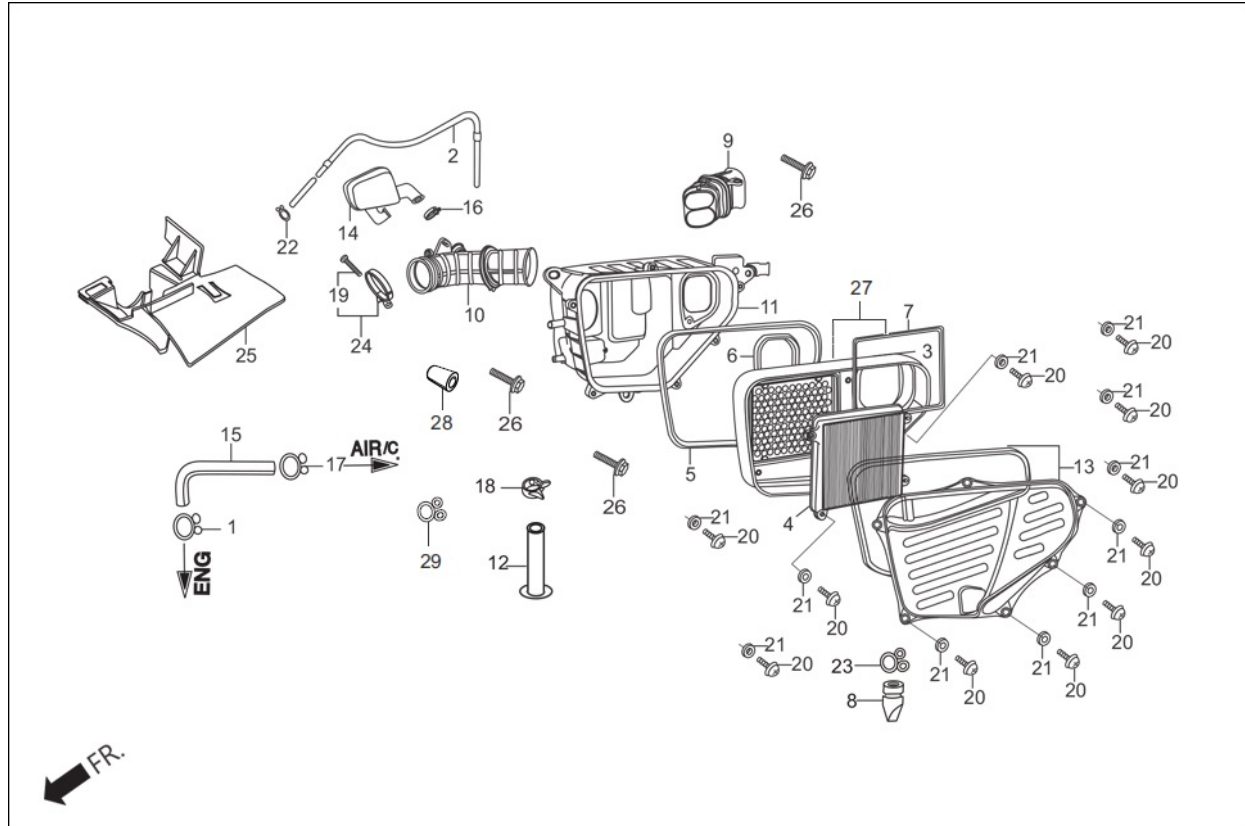
Group Number: F-14 Model :: Hunk (Feb, 2017)

Ref No.	Part Number	Description	Req.
1	19052-KV0-000	COLLAR, RADIATOR MTG	2
	19052-KV0-000	COLLAR, RADIATOR MTG	2
2	77231-KVE-900	CUSHION COWL CENTER A.	2
	77231-KVE-900	CUSHION COWL CENTER A.	2
3	83550-KVN-970R	COVER B R SIDE (PANTHER BLACK ME. (NH-B08M))	1
	83550-AAK-100U	COVER B R SIDE(MBK NH-105)	1
	83550-AAK-100U	COVER B R SIDE(MBK NH-105)	1
	83550-KVN-970V	COVER B R SIDE (CANDY BLAZING RED (R-195C))	1
	83550-KVN-970U	COVER B R SIDE (PEARL HARVEST GREEN (GY-136P))	1
	83550-KVN-970X	SET, R. SIDE COVER B (SPORTS RED)	1
	83550-AAK-H70Y	COVER B R SIDE (PFW, NH-341P)	1
4	83520-AAK-600	SET R SIDE COVER A	1
	83520-AAK-600	SET R SIDE COVER A	1
5	83545-KVN-900	RUBBER, SIDE COVER	2
	83545-KVN-900	RUBBER, SIDE COVER	2
6	83650-KVN-970R	COVER B L SIDE (PANTHER BLACK ME. (NH-B08M))	1
	83650-AAK-100U	COVER B L SIDE(MBK NH-105)	1
	83650-AAK-100U	COVER B L SIDE(MBK NH-105)	1
	83650-KVN-970V	COVER B L SIDE (CANDY BLAZING RED (R-195C))	1
	83650-KVN-970U	COVER B L SIDE (PEARL HARVEST GREEN (GY-136P))	1

F-14 : SIDE COVER

	83650-KVN-970X	SET, L. SIDE COVER B (SPORTS RED)	1
	83650-AAK-H70Y	COVER B L SIDE(PFW NH-341P)	1
7	83620-AAK-600	SET L. SIDE COVER A	1
	83620-AAK-600	SET L. SIDE COVER A	1
8	90101-087-720	SCREW, HEAD LIGHT SET	2
9	90105-KVN-900	BOLT, SPECIAL 6 X 22	2
10	90106-KVN-900	SCREW, PAN 5 X 18.5	2
11	93903-34380	SCREW, TAPPING, 4X12	6
	93903-34380	SCREW, TAPPING, 4X12	6

F-15 : AIR CLEANER



F-15 : AIR CLEANER

Group Number: F-15 Model :: Hunk (Feb, 2017)

Ref No.	Part Number	Description	Req.
1	15772-KTN-900	CLIP BREATHER TUBE	1
2	16199-KVE-930	TUBE, AIR VENT	1
	16199-KVE-930	TUBE, AIR VENT	1
3	17208-KVE-900	HOLDER COMP., ELEMENT	1
	17208-KVE-900	HOLDER COMP., ELEMENT	1
4	17211-AAB-100	ELEMENT COMP AIR/C	1
	17211-AAB-100	ELEMENT COMP AIR/C	1
5	17213-KRY-900	SEALA AIR CLEANER	2
	17213-KRY-900	SEALA AIR CLEANER	2
6	17214-KRY-900	SEAL B AIR CLEANER	1
	17214-KRY-900	SEAL B AIR CLEANER	1
7	17215-KTN-700	SEAL, HOLDER	1
	17215-KTN-700	SEAL, HOLDER	1
8	17216-KVN-900	TUBE, DRAIN	1
	17216-KVN-900	TUBE, DRAIN	1
9	17219-KVE-900	DUCT, AIR CLEANER	1
	17219-KVE-900	DUCT, AIR CLEANER	1
10	17222-KVE-900	TUBE, AIR/C CONN.	1
	17222-KVE-900	TUBE, AIR/C CONN.	1
11	17225-KVN-900	CASE, SUB ASSY., AIR/C	1

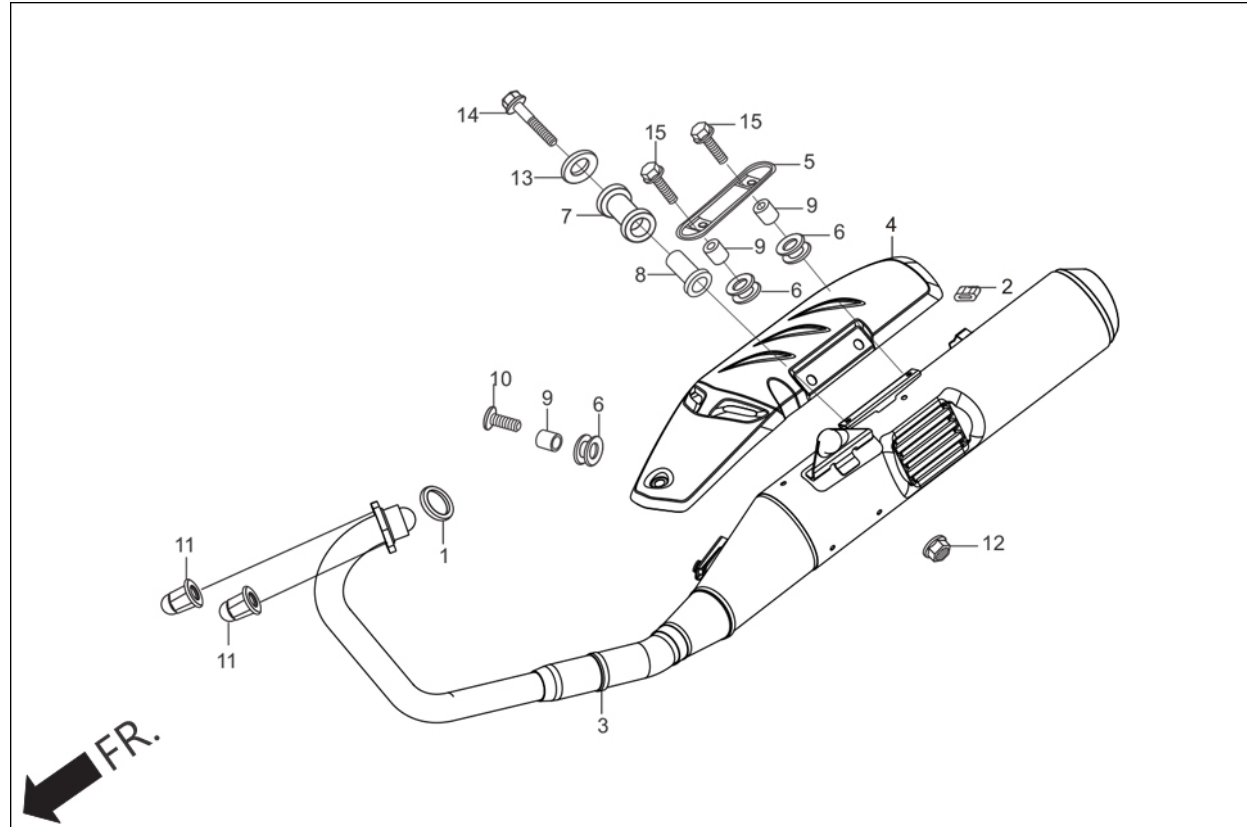
F-15 : AIR CLEANER

	17225-KVN-900	CASE, SUB ASSY., AIR/C	1
12	17234-KS4-770	TUBE,AIR CLEANER DRAIN	1
	17234-KS4-770	TUBE,AIR CLEANER DRAIN	1
13	17245-KVN-900	COVER, SUB ASSY. AIR/C	1
	17245-KVN-900	COVER, SUB ASSY. AIR/C	1
14	17311-KRC-910	RESONATOR	1
	17311-KRC-910	RESONATOR	1
15	17371-KTN-700	TUBE BREATHER A	1
	17371-KTN-700	TUBE BREATHER A	1
16	19509-GE2-003	CLAMP, D19 TUBE	1
17	90651-MK3-780	CLIP, B 12.5 TUBE	1
18	91406-KFN-850	CLAMP, D14.5 TUBE	1
19	93500-04032-0G	SCREW, PAN, 4 X 32	1
20	93500-05016-0A	SCREW, PAN, 5 X 16	11
	93500-05016-0A	SCREW, PAN, 5 X 16	11
21	94101-05000	WASHER , PLAIN, 5MM	11
22	95002-70000	CLIP, C11 TUBE	1
23	95002-80000	CLIP,C12 TUBE	1
24	95018-54320	BAND54, AIR/C CONN. TUBE	1
25	17234-KVN-900	COVER, AIR CLEANER DUCT	1
	17234-KVN-900	COVER, AIR CLEANER DUCT	1
26	90111-187-000	BOLT, FLANGE. 6 MM	3

F-15 : AIR CLEANER

	90111-187-000	BOLT, FLANGE. 6 MM	3
27	17235-KVE-900	HOLDER SUB ASSY. AIR CLEANER	1
	17235-KVE-900	HOLDER SUB ASSY. AIR CLEANER	1
28	18651-AAM-100	PLUG AIR/C	1
	18651-AAM-100	PLUG AIR/C	1
29	17369-AAM-100	CLIP BREATHER TUBE	1

F-16 : MUFFLER EXHAUST



F-16 : MUFFLER EXHAUST

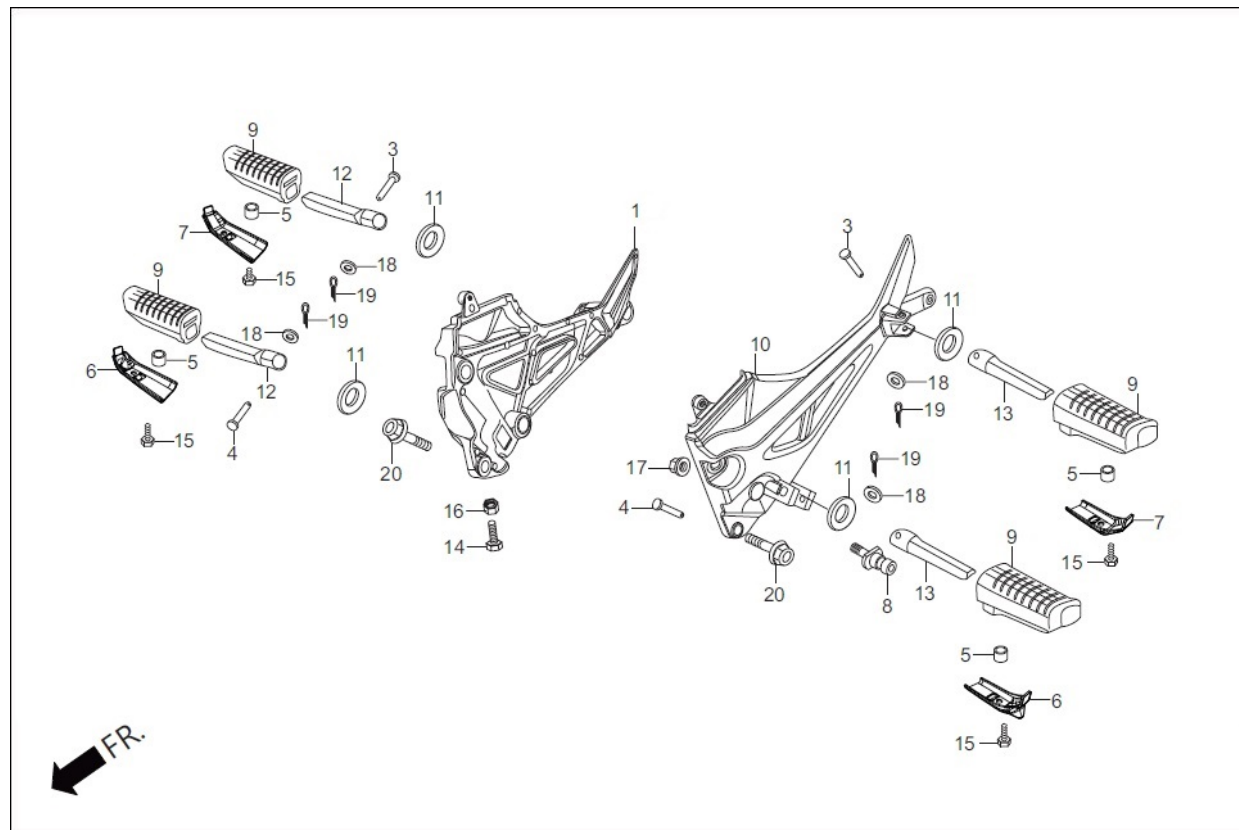
Group Number: F-16 Model :: Hunk (Feb, 2017)

Ref No.	Part Number	Description	Req.
1	18291-KRY-930	GASKET, EXHAUST PIPE	1
	18291-KRY-930	GASKET, EXHAUST PIPE	1
2	18293-KPK-900	RUBBER, PKG. PROTECTOR	1
	18293-KPK-900	RUBBER, PKG. PROTECTOR	1
3	18300-AAK-201	MUFFLER, COMP. EXH.	1
	18300-AAK-201	MUFFLER, COMP. EXH.	1
4	18311-KVN-970	COVER,MUFFLER	1
	18311-KVN-970	COVER,MUFFLER	1
5	18317-KVN-900	PROTECTOR, MUFF	1
	18317-KVN-900	PROTECTOR, MUFF	1
6	18345-MBT-610	RUBBER, PROTECTOR, MOUNT	3
	18345-MBT-610	RUBBER, PROTECTOR, MOUNT	3
7	18421-438-670	RUBBER, MUFFLER MOUNT	1
	18421-438-670	RUBBER, MUFFLER MOUNT	1
8	18442-KRC-900	COLLAR, MUFFLER MOUNT	1
	18442-KRC-900	COLLAR, MUFFLER MOUNT	1
9	33619-459-840	COLLAR, WINKER STAY	3
	33619-459-840	COLLAR, WINKER STAY	3
10	90107-KST-940	SCREW MUFF. PROTECTOR MOUNT	1
	90107-KST-940	SCREW MUFF. PROTECTOR MOUNT	1

F-16 : MUFFLER EXHAUST

11	90305-KSP-900	NUT, 8MM EXP.	2
	90305-KSP-900	NUT, 8MM EXP.	2
12	94050-10070	NUT,FLANGE,10MM	1
13	94103-10000	WASHER, PLAIN, 10MM	1
	94103-10000	WASHER, PLAIN, 10MM	1
14	95801-10055-00	BOLT, FLANGE, 10X55	1
	95801-10055-00	BOLT, FLANGE, 10X55	1
15	96001-06014-02	BOLT, FLANGE SH. 6 X 14	2

F-17-DISC : STEP PILLION



F-17-DISC : STEP PILLION

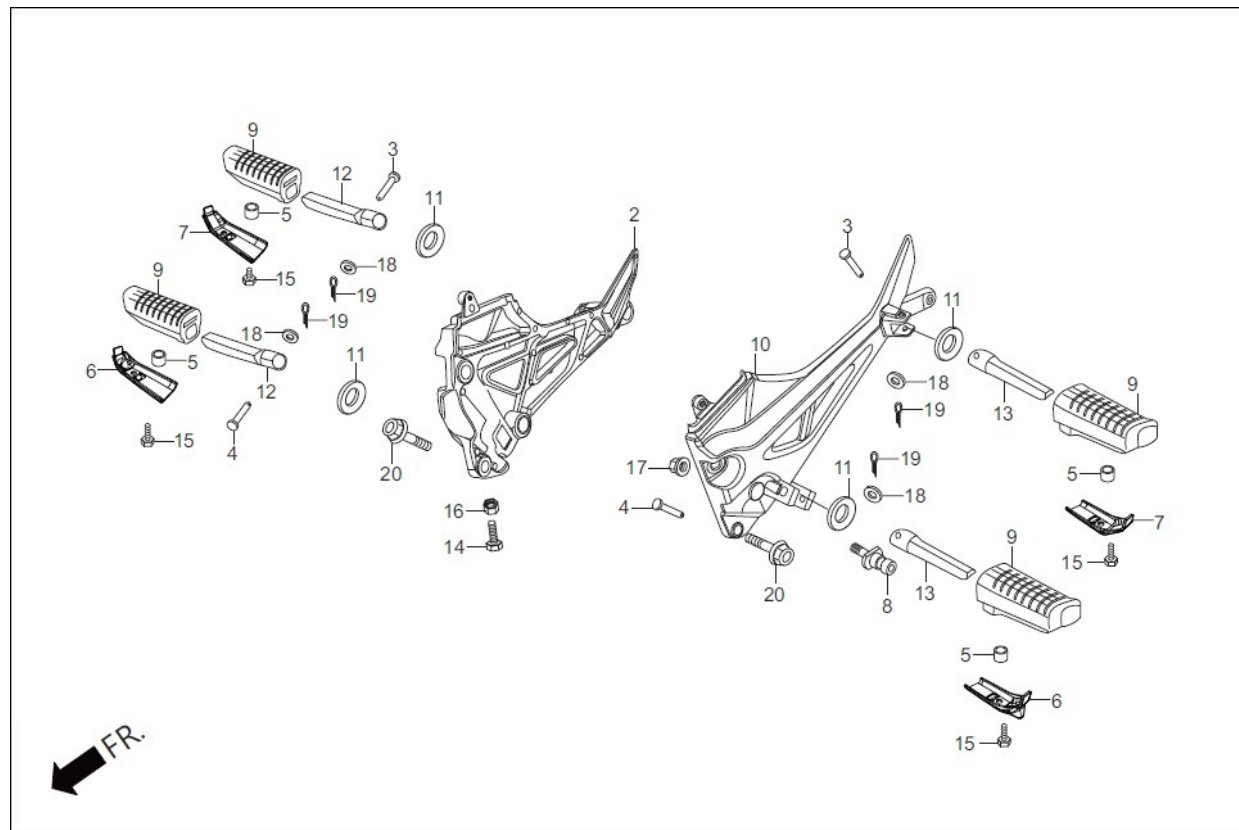
Group Number: F-17-DISC Model :: Hunk (Feb, 2017)

Ref No.	Part Number	Description	Req.
1	50600-KVN-970	HOLDER,R STEP	1
	50600-KVN-970	HOLDER,R STEP	1
3	50603-KFN-850	PIN, STEP BAR JOINT	2
	50603-KFN-850	PIN, STEP BAR JOINT	2
4	50603-KVE-900	PIN, STEP BAR JOINT	2
	50603-KVE-900	PIN, STEP BAR JOINT	2
5	50618-KE8-000	COLLAR, 6.5 X 11 X 3	4
	50618-KE8-000	COLLAR, 6.5 X 11 X 3	4
6	50619-KFN-850	PLATE, STEP LOWER	2
	50619-KFN-850	PLATE, STEP LOWER	2
7	50619-KTN-700	PLATE, STEP LOWER	2
	50619-KTN-700	PLATE, STEP LOWER	2
8	50643-KCT-690	PIVOT,CHANGE PEDAL	1
	50643-KCT-690	PIVOT,CHANGE PEDAL	1
9	50661-KVN-900	RUBBER, M STEP	4
	50661-KVN-900	RUBBER, M STEP	4
10	50700-KVN-900Z	HOLDER, L STEP(MGM)	1
	50700-KVN-900Z	HOLDER, L STEP(MGM)	1
11	50715-KVN-900	WASHER P. STEP	4
	50715-KVN-900	WASHER P. STEP	4

F-17-DISC : STEP PILLION

12	50717-KFN-850	BAR R PILLION STEP	2
	50717-KFN-850	BAR R PILLION STEP	2
13	50718-KFN-850	BAR L PILLION STEP	2
	50718-KFN-850	BAR L PILLION STEP	2
14	90001-KFN-850	BOLT,PEDAL BRAKE STOPPER	1
15	92101-06012-0G	BOLT, HEX 6 X 12	4
16	94001-06000-0S	NUT, HEX., 6 MM	1
	94001-06000-0S	NUT, HEX., 6 MM	1
17	94050-08000	NUT, FLANGE, 8MM	1
	94050-08000	NUT, FLANGE, 8MM	1
18	94102-08000	WASHER, PLAIN, 8MM	4
	94102-08000	WASHER, PLAIN, 8MM	4
19	94201-20150	PIN, SPLIT, 2.0 X 15	4
	94201-20150	PIN, SPLIT, 2.0 X 15	4
20	95701-10025-00	BOLT, FLANGE, 10 X 25	2
	95701-10025-00	BOLT, FLANGE, 10 X 25	2

F-17-DRUM : STEP PILLION



F-17-DRUM : STEP PILLION

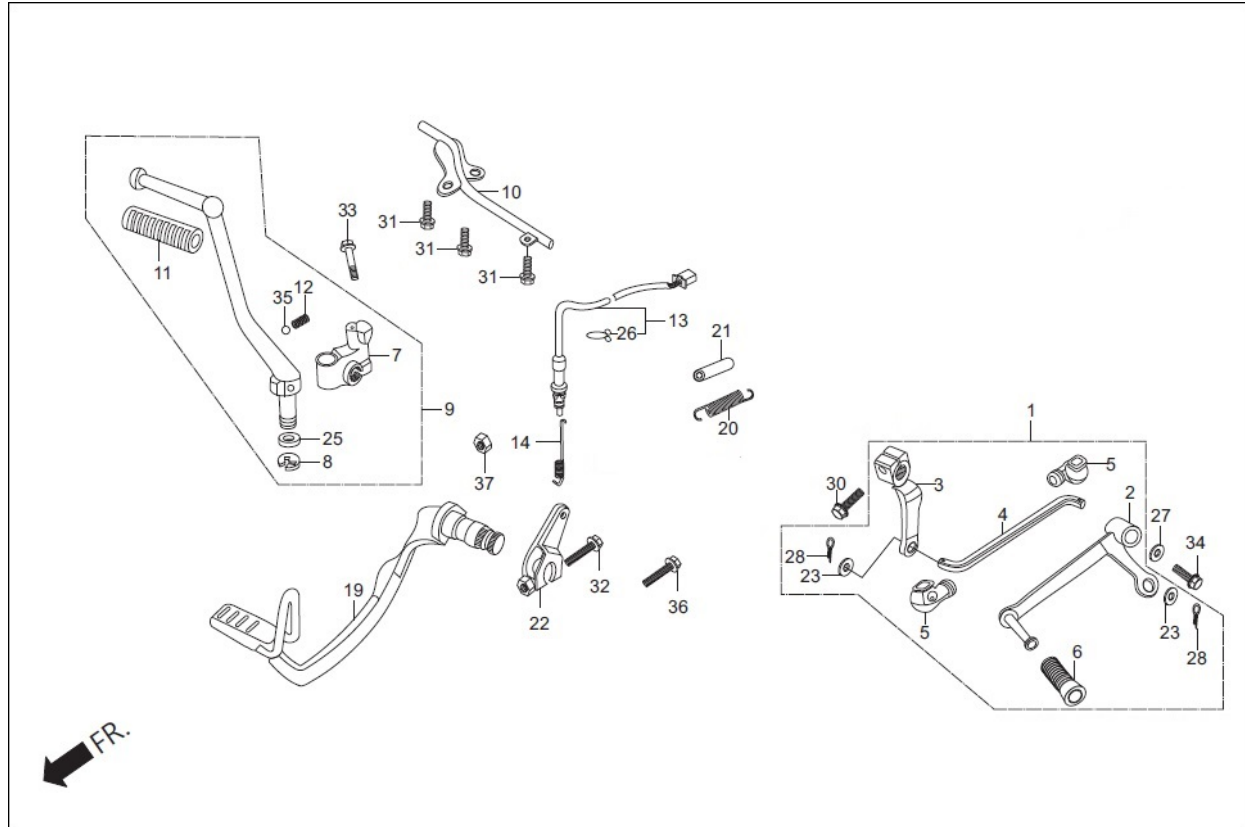
Group Number: F-17-DRUM Model :: Hunk (Feb, 2017)

Ref No.	Part Number	Description	Req.
2	50600-KVN-900Z	HOLDER, R STEP(MGM)	1
3	50603-KFN-850	PIN, STEP BAR JOINT	2
	50603-KFN-850	PIN, STEP BAR JOINT	2
4	50603-KVE-900	PIN, STEP BAR JOINT	2
	50603-KVE-900	PIN, STEP BAR JOINT	2
5	50618-KE8-000	COLLAR, 6.5 X 11 X 3	4
	50618-KE8-000	COLLAR, 6.5 X 11 X 3	4
6	50619-KFN-850	PLATE, STEP LOWER	2
	50619-KFN-850	PLATE, STEP LOWER	2
7	50619-KTN-700	PLATE, STEP LOWER	2
	50619-KTN-700	PLATE, STEP LOWER	2
8	50643-KCT-690	PIVOT,CHANGE PEDAL	1
	50643-KCT-690	PIVOT,CHANGE PEDAL	1
9	50661-KVN-900	RUBBER, M STEP	4
	50661-KVN-900	RUBBER, M STEP	4
10	50700-KVN-900Z	HOLDER, L STEP(MGM)	1
	50700-KVN-900Z	HOLDER, L STEP(MGM)	1
11	50715-KVN-900	WASHER P. STEP	4
	50715-KVN-900	WASHER P. STEP	4
12	50717-KFN-850	BAR R PILLION STEP	2

F-17-DRUM : STEP PILLION

	50717-KFN-850	BAR R PILLION STEP	2
13	50718-KFN-850	BAR L PILLION STEP	2
	50718-KFN-850	BAR L PILLION STEP	2
14	90001-KFN-850	BOLT,PEDAL BRAKE STOPPER	1
15	92101-06012-0G	BOLT, HEX 6 X 12	4
16	94001-06000-0S	NUT, HEX., 6 MM	1
	94001-06000-0S	NUT, HEX., 6 MM	1
17	94050-08000	NUT, FLANGE, 8MM	1
	94050-08000	NUT, FLANGE, 8MM	1
18	94102-08000	WASHER, PLAIN, 8MM	4
	94102-08000	WASHER, PLAIN, 8MM	4
19	94201-20150	PIN, SPLIT, 2.0 X 15	4
	94201-20150	PIN, SPLIT, 2.0 X 15	4
20	95701-10025-00	BOLT, FLANGE, 10 X 25	2
	95701-10025-00	BOLT, FLANGE, 10 X 25	2

F-18-DISC : GEAR CHANGE PEDAL/KICK STARTER /PEDAL BRAKE



F-18-DISC : GEAR CHANGE PEDAL/KICK STARTER /PEDAL BRAKE

Group Number: F-18-DISC Model :: Hunk (Feb, 2017)

Ref No.	Part Number	Description	Req.
1	24700-KVE-900	PEDAL ASSY. GEAR CHANGE	1
	24700-KVE-900	PEDAL ASSY. GEAR CHANGE	1
2	24701-KVE-900	PEDAL, GEAR CHANGE	1
3	24711-KVE-900	ARM, GEAR CHANGE PEDAL	1
4	24720-KFN-850	TIE,ROD	1
5	24721-GS3-000	COVER,CHANGE PEDAL	2
	24721-GS3-000	COVER,CHANGE PEDAL	2
6	24781-KR3-770	RUBBER, CHANGE PEDAL	1
	24781-KR3-770	RUBBER, CHANGE PEDAL	1
7	28241-AAK-H00	JOINT KICK ARM	1
8	28293-333-000	CLIP, KICK STARTER ARM	1
9	28300-AAK-H00	ARM ASSY KICK STARTER	1
	28300-AAK-H00	ARM ASSY KICK STARTER	1
10	28307-AAK-H60	STOPPER KICK ARM	1
	28307-AAK-H60	STOPPER KICK ARM	1
11	28311-KC5-000	STARTER RUBBER, KICK	1
	28311-KC5-000	STARTER RUBBER, KICK	1
12	28333-KK0-000	SPRING, KICK STARTER ARM SET	1
13	35350-KFN-850	SW.ASSY.RR.STOP	1
	35350-KFN-850	SW.ASSY.RR.STOP	1

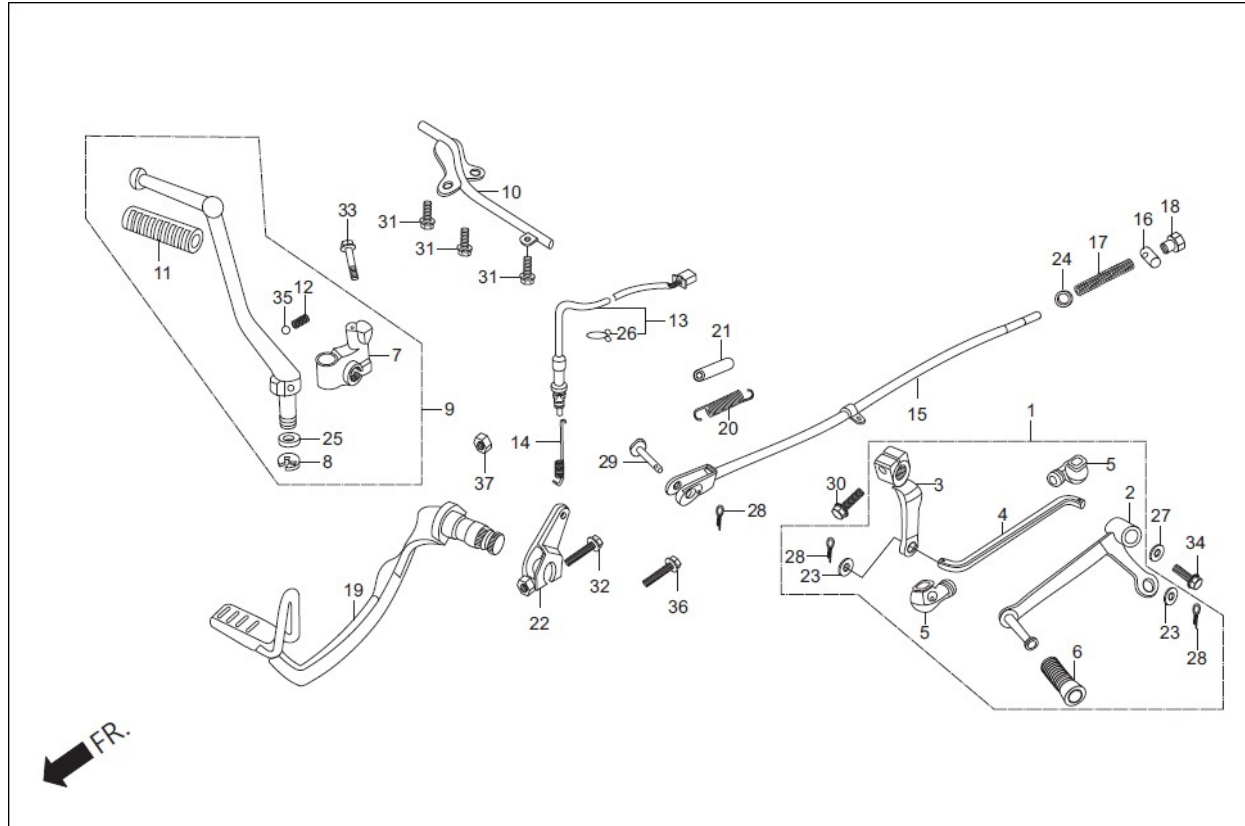
F-18-DISC : GEAR CHANGE PEDAL/KICK STARTER /PEDAL BRAKE

14	35357-KVN-970	SPG,STOP SW	1
	35357-KVN-970	SPG,STOP SW	1
19	46500-KVN-970	PEDAL,BRAKE	1
	46500-KVN-970	PEDAL,BRAKE	1
20	46514-KN5-670	SPG. BRAKE PEDAL	1
	46514-KN5-670	SPG. BRAKE PEDAL	1
21	46515-KB9-000	TUBE , BRAKE PEDAL SPRING	1
	46515-KB9-000	TUBE , BRAKE PEDAL SPRING	1
22	46515-KVN-970	ARM COMP,MIDDLE	1
	46515-KVN-970	ARM COMP,MIDDLE	1
23	90502-155-000	WASHER,PLAIN,7MM	2
	90502-155-000	WASHER,PLAIN,7MM	2
25	90505-KRM-860	WASHER, 15.5 X 22	1
26	90601-KAF-003	CLIP, SW. COVER	1
27	94103-06000	WASHER PLAIN,6MM	1
28	94201-20150	PIN, SPLIT, 2.0 X 15	2
	94201-20150	PIN, SPLIT, 2.0 X 15	2
30	95701-06020-00	BOLT, FLANGE, 6X20	1
	95701-06020-00	BOLT, FLANGE, 6X20	1
31	95701-08020-00	BOLT, FLANGE, 8X20	3
	95701-08020-00	BOLT, FLANGE, 8X20	3
32	95701-08040-07	BOLT FLANGE,8 X 40	1

F-18-DISC : GEAR CHANGE PEDAL/KICK STARTER /PEDAL BRAKE

	95701-08040-07	BOLT FLANGE,8 X 40	1
33	95801-08038-07	BOLT FLANGE 8X38	1
34	96001-06012-00	BOLT,FLANGE,SH.,6 X 12	1
	96001-06012-00	BOLT,FLANGE,SH.,6 X 12	1
35	96211-08000	BALL STEEL 8 MM	1
	96211-08000	BALL STEEL 8 MM	1
36	95701-08028-00	BOLT FLANGE, 8 X 28	1
37	94001-06000-0S	NUT, HEX., 6 MM	1
	94001-06000-0S	NUT, HEX., 6 MM	1

F-18-DRUM : GEAR CHANGE PEDAL/KICK STARTER /PEDAL BRAKE



F-18-DRUM : GEAR CHANGE PEDAL/KICK STARTER /PEDAL BRAKE

Group Number: F-18-DRUM **Model ::** Hunk (Feb, 2017)

Ref No.	Part Number	Description	Req.
1	24700-KVE-900	PEDAL ASSY. GEAR CHANGE	1
	24700-KVE-900	PEDAL ASSY. GEAR CHANGE	1
2	24701-KVE-900	PEDAL, GEAR CHANGE	1
3	24711-KVE-900	ARM, GEAR CHANGE PEDAL	1
4	24720-KFN-850	TIE,ROD	1
5	24721-GS3-000	COVER,CHANGE PEDAL	2
	24721-GS3-000	COVER,CHANGE PEDAL	2
6	24781-KR3-770	RUBBER, CHANGE PEDAL	1
	24781-KR3-770	RUBBER, CHANGE PEDAL	1
7	28241-AAK-H00	JOINT KICK ARM	1
8	28293-333-000	CLIP, KICK STARTER ARM	1
9	28300-AAK-H00	ARM ASSY KICK STARTER	1
	28300-AAK-H00	ARM ASSY KICK STARTER	1
10	28307-AAK-H60	STOPPER KICK ARM	1
	28307-AAK-H60	STOPPER KICK ARM	1
11	28311-KC5-000	STARTER RUBBER, KICK	1
	28311-KC5-000	STARTER RUBBER, KICK	1
12	28333-KK0-000	SPRING, KICK STARTER ARM SET	1
13	35350-KFN-850	SW.ASSY.RR.STOP	1
	35350-KFN-850	SW.ASSY.RR.STOP	1

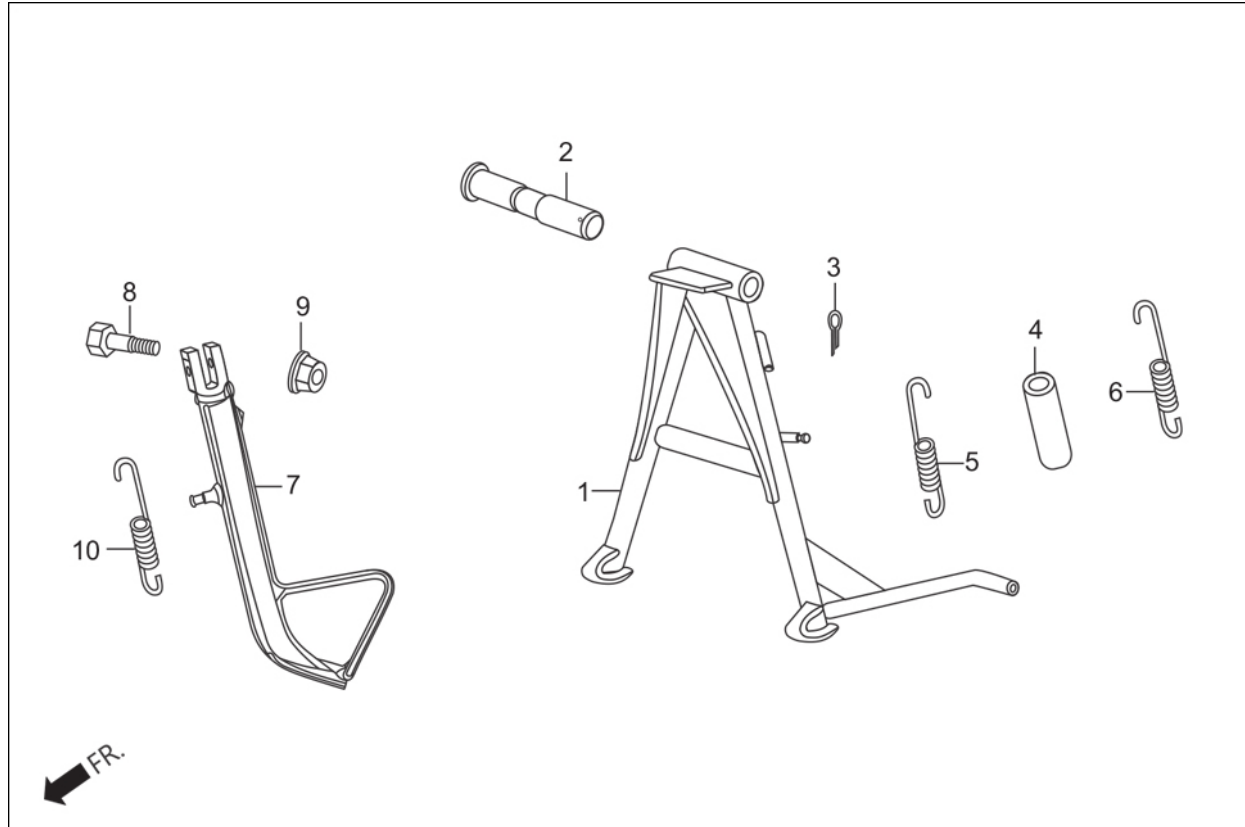
F-18-DRUM : GEAR CHANGE PEDAL/KICK STARTER /PEDAL BRAKE

14	35357-KVN-970	SPG,STOP SW	1
	35357-KVN-970	SPG,STOP SW	1
15	43451-KVE-901	ROD COMP. RR. BRAKE	1
16	43455-KSP-900	JOINT BRAKE ARM	1
17	43456-KSP-900	SPRING BRAKE ROD	1
18	43459-KSP-900	NUT RR. BRK. ADJUST	1
19	46500-KVN-900	PEDAL, BRAKE	1
20	46514-KCC-900	SPRING , BRAKE PEDAL	1
	46514-KCC-900	SPRING , BRAKE PEDAL	1
21	46515-KB9-000	TUBE , BRAKE PEDAL SPRING	1
	46515-KB9-000	TUBE , BRAKE PEDAL SPRING	1
22	46515-KVE-900	ARM, COMP, MIDDLE	1
23	90502-155-000	WASHER,PLAIN,7MM	2
	90502-155-000	WASHER,PLAIN,7MM	2
24	90502-KRY-930	WASHER , BRAKE ROD	1
25	90505-KRM-860	WASHER, 15.5 X 22	1
26	90601-KAF-003	CLIP, SW. COVER	1
27	94103-06000	WASHER PLAIN,6MM	1
28	94201-20150	PIN, SPLIT, 2.0 X 15	3
	94201-20150	PIN, SPLIT, 2.0 X 15	3
29	95015-53000	PIN, C JOINT	1
	95015-53000	PIN, C JOINT	1

F-18-DRUM : GEAR CHANGE PEDAL/KICK STARTER /PEDAL BRAKE

30	95701-06020-00	BOLT, FLANGE, 6X20	1
	95701-06020-00	BOLT, FLANGE, 6X20	1
31	95701-08020-00	BOLT, FLANGE, 8X20	3
	95701-08020-00	BOLT, FLANGE, 8X20	3
32	95701-08040-07	BOLT FLANGE,8 X 40	1
	95701-08040-07	BOLT FLANGE,8 X 40	1
33	95801-08038-07	BOLT FLANGE 8X38	1
34	96001-06012-00	BOLT,FLANGE,SH.,6 X 12	1
	96001-06012-00	BOLT,FLANGE,SH.,6 X 12	1
35	96211-08000	BALL STEEL 8 MM	1
	96211-08000	BALL STEEL 8 MM	1
36	95701-08028-00	BOLT FLANGE, 8 X 28	1
37	94001-06000-0S	NUT, HEX., 6 MM	1
	94001-06000-0S	NUT, HEX., 6 MM	1

F-18A : MAIN STAND/SIDE STAND

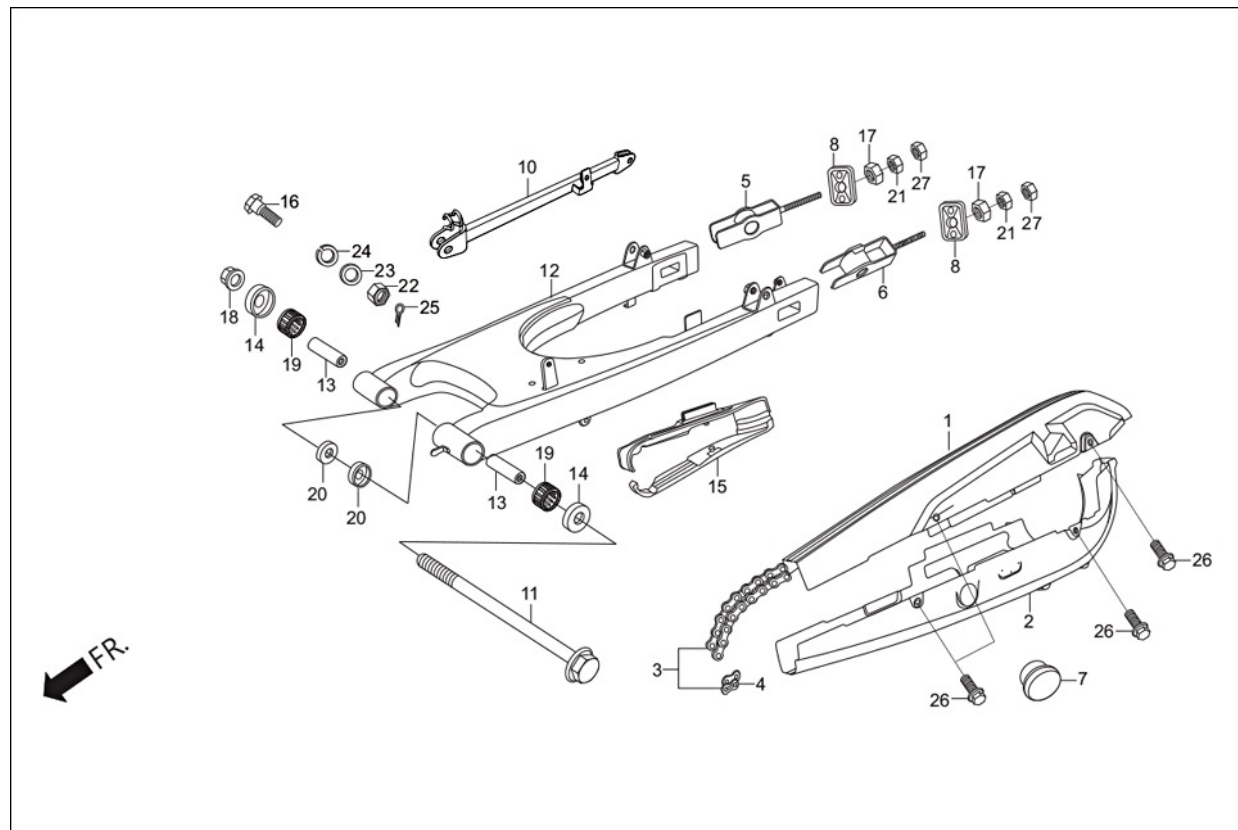


F-18A : MAIN STAND/SIDE STAND

Group Number: F-18A **Model ::** Hunk (Feb, 2017)

Ref No.	Part Number	Description	Req.
1	50500-KVE-930	STAND COMP. MAIN	1
	50500-KVE-930	STAND COMP. MAIN	1
2	50526-KCT-690	SHAFT, MAIN STAND PIVOT	1
	50526-KCT-690	SHAFT, MAIN STAND PIVOT	1
3	94201-30300	PIN, SPLIT 3 X 30MM	1
	94201-30300	PIN, SPLIT 3 X 30MM	1
4	50507-AAB-400	TUBE MAIN STAND SPRING 1	1
	50507-AAB-400	TUBE MAIN STAND SPRING 1	1
5	50508-AAB-400	SPRING MAIN STAND 1	1
	50508-AAB-400	SPRING MAIN STAND 1	1
6	50509-AAB-400	SPRING MAIN STAND 2	1
	50509-AAB-400	SPRING MAIN STAND 2	1
7	50530-KVE-900	BAR COMP., SIDE STAND	1
	50530-KVE-900	BAR COMP., SIDE STAND	1
8	90107-GN1-010	SCREW SIDE STAND PIVOT	1
	90107-GN1-010	SCREW SIDE STAND PIVOT	1
9	90304-KFN-850	NUT U 10 MM	1
	90304-KFN-850	NUT U 10 MM	1
10	95014-72102	SPRING, SIDE STAND	1
	95014-72102	SPRING, SIDE STAND	1

F-19-DISC : SWINGARM / CHAIN CASE



F-19-DISC : SWINGARM / CHAIN CASE

Group Number: F-19-DISC Model :: Hunk (Feb, 2017)

Ref No.	Part Number	Description	Req.
1	40510-KVN-901	CASE, UP HALF DRIVE CHAIN	1
	40510-KVN-901	CASE, UP HALF DRIVE CHAIN	1
2	40520-KVN-901	CASE, UND HALF DRIVE CHAIN	1
	40520-KVN-901	CASE, UND HALF DRIVE CHAIN	1
3	40530-KSP-900	CHAIN DRIVE 428H-126	1
	40530-KSP-900	CHAIN DRIVE 428H-126	1
4	40531-KCS-690	JOINT, RJ. DRIVE CHAIN	1
	40531-KCS-690	JOINT, RJ. DRIVE CHAIN	1
5	40543-KRY-900	ADJUSTER, R CHAIN	1
	40543-KRY-900	ADJUSTER, R CHAIN	1
6	40544-KRY-900	ADJUSTER, L CHAIN	1
	40544-KRY-900	ADJUSTER, L CHAIN	1
7	40545-001-000	CAP, CHAIN PEEP HOLE	1
	40545-001-000	CAP, CHAIN PEEP HOLE	1
8	40546-KVE-901	CAP, SWINGARM END	2
	40546-KVE-901	CAP, SWINGARM END	2
10	43431-AAK-100	ARM COMP RR BRK STOPPER	1
	43431-AAK-100	ARM COMP RR BRK STOPPER	1
11	52101-KTN-700	BOLT, SWINGARM PIVOT	1
	52101-KTN-700	BOLT, SWINGARM PIVOT	1

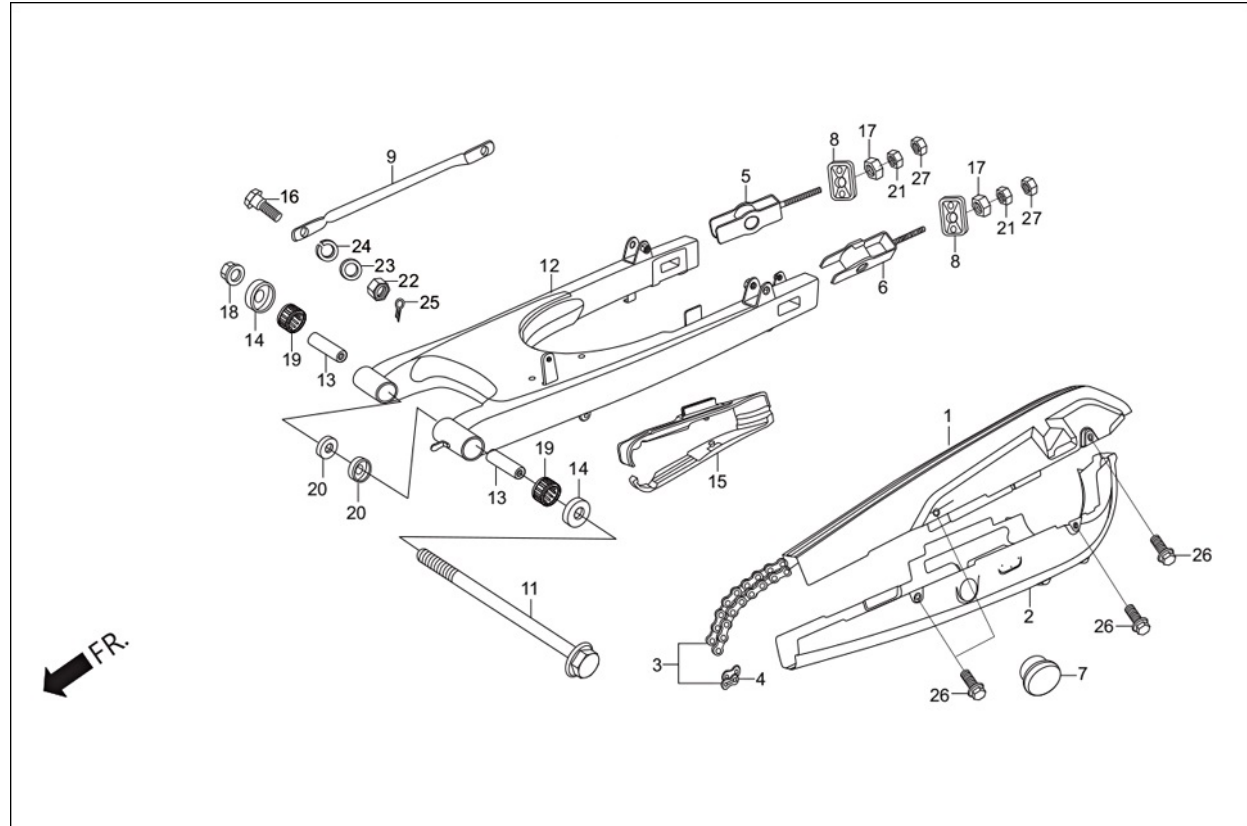
F-19-DISC : SWINGARM / CHAIN CASE

12	52110-KVN-970	SWINGRAM COMP RR	1
	52110-KVN-970	SWINGRAM COMP RR	1
13	52143-KVE-900	COLLAR, PIVOT DIST L	2
	52143-KVE-900	COLLAR, PIVOT DIST L	2
14	52144-KEJ-900	DUST SEAL, CAP REAR SWINGARM	2
	52144-KEJ-900	DUST SEAL, CAP REAR SWINGARM	2
15	52170-KVN-900	SLIDER, CHAIN	1
	52170-KVN-900	SLIDER, CHAIN	1
16	90133-331-770	BOLT, HEX., 8MM	1
	90133-331-770	BOLT, HEX., 8MM	1
17	90302-KBP-900	NUT SPL 6 MM	2
	90302-KBP-900	NUT SPL 6 MM	2
18	90305-KVN-900	NUT, FLG. PT. 14 MM	1
	90305-KVN-900	NUT, FLG. PT. 14 MM	1
19	91071-KVN-900	BRG, NEEDLE 20X26X20	2
	91071-KVN-900	BRG, NEEDLE 20X26X20	2
20	91254-KS6-003	DUST SEAL 20 X 26 X 4.5	2
	91254-KS6-003	DUST SEAL 20 X 26 X 4.5	2
21	94001-06000-0S	NUT, HEX., 6 MM	2
	94001-06000-0S	NUT, HEX., 6 MM	2
22	94001-08000-0S	NUT, HEX., 8 MM	1
	94001-08000-0S	NUT, HEX., 8 MM	1

F-19-DISC : SWINGARM / CHAIN CASE

23	94101-08000	WASHER, PLAIN, 8MM	1
	94101-08000	WASHER, PLAIN, 8MM	1
24	94111-10000	WASHER, SPRING, 10MM	1
	94111-10000	WASHER, SPRING, 10MM	1
25	94201-20150	PIN, SPLIT, 2.0 X 15	1
	94201-20150	PIN, SPLIT, 2.0 X 15	1
26	95701-06012-00	BOLT, FLANGE, 6X12	4
	95701-06012-00	BOLT, FLANGE, 6X12	4
27	94001-06000-0S	NUT, HEX., 6 MM	2
	94001-06000-0S	NUT, HEX., 6 MM	2

F-19-DRUM : SWINGARM / CHAIN CASE



F-19-DRUM : SWINGARM / CHAIN CASE

Group Number: F-19-DRUM Model :: Hunk (Feb, 2017)

Ref No.	Part Number	Description	Req.
1	40510-KVN-901	CASE, UP HALF DRIVE CHAIN	1
	40510-KVN-901	CASE, UP HALF DRIVE CHAIN	1
2	40520-KVN-901	CASE, UND HALF DRIVE CHAIN	1
	40520-KVN-901	CASE, UND HALF DRIVE CHAIN	1
3	40530-KSP-900	CHAIN DRIVE 428H-126	1
	40530-KSP-900	CHAIN DRIVE 428H-126	1
4	40531-KCS-690	JOINT, RJ. DRIVE CHAIN	1
	40531-KCS-690	JOINT, RJ. DRIVE CHAIN	1
5	40543-KRY-900	ADJUSTER, R CHAIN	1
	40543-KRY-900	ADJUSTER, R CHAIN	1
6	40544-KRY-900	ADJUSTER, L CHAIN	1
	40544-KRY-900	ADJUSTER, L CHAIN	1
7	40545-001-000	CAP, CHAIN PEEP HOLE	1
	40545-001-000	CAP, CHAIN PEEP HOLE	1
8	40546-KVE-901	CAP, SWINGARM END	2
	40546-KVE-901	CAP, SWINGARM END	2
9	43431-KTR-900	ARM, RR, BRAKE STOPPER	1
11	52101-KTN-700	BOLT, SWINGARM PIVOT	1
	52101-KTN-700	BOLT, SWINGARM PIVOT	1
12	52110-KVN-900	SWINGARM COMP., RR.(MGM)	1

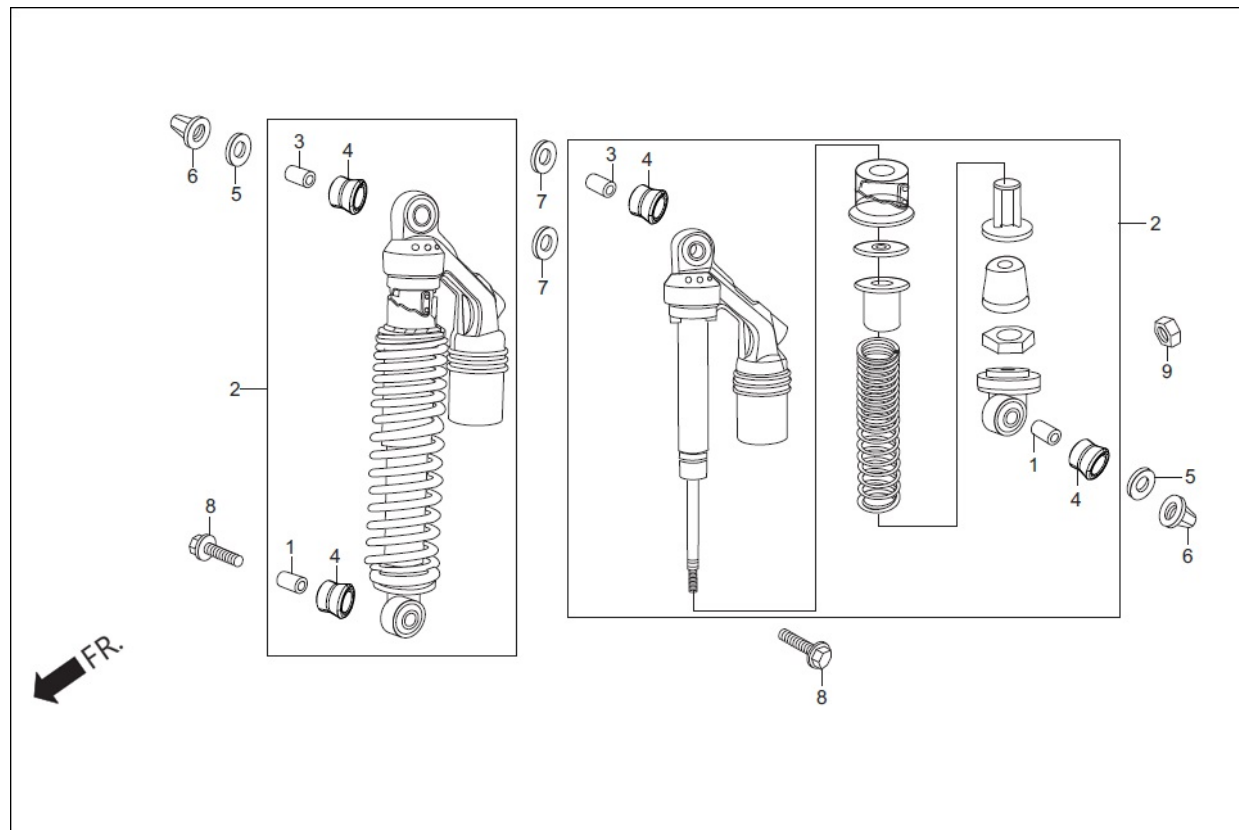
F-19-DRUM : SWINGARM / CHAIN CASE

13	52143-KVE-900	COLLAR, PIVOT DIST L	2
	52143-KVE-900	COLLAR, PIVOT DIST L	2
14	52144-KEJ-900	DUST SEAL, CAP REAR SWINGARM	2
	52144-KEJ-900	DUST SEAL, CAP REAR SWINGARM	2
15	52170-KVN-900	SLIDER, CHAIN	1
	52170-KVN-900	SLIDER, CHAIN	1
16	90133-331-770	BOLT, HEX., 8MM	1
	90133-331-770	BOLT, HEX., 8MM	1
17	90302-KBP-900	NUT SPL 6 MM	2
	90302-KBP-900	NUT SPL 6 MM	2
18	90305-KVN-900	NUT, FLG. PT. 14 MM	1
	90305-KVN-900	NUT, FLG. PT. 14 MM	1
19	91071-KVN-900	BRG, NEEDLE 20X26X20	2
	91071-KVN-900	BRG, NEEDLE 20X26X20	2
20	91254-KS6-003	DUST SEAL 20 X 26 X 4.5	2
	91254-KS6-003	DUST SEAL 20 X 26 X 4.5	2
21	94001-06000-0S	NUT, HEX., 6 MM	2
	94001-06000-0S	NUT, HEX., 6 MM	2
22	94001-08000-0S	NUT, HEX., 8 MM	1
	94001-08000-0S	NUT, HEX., 8 MM	1
23	94101-08000	WASHER, PLAIN, 8MM	1
	94101-08000	WASHER, PLAIN, 8MM	1

F-19-DRUM : SWINGARM / CHAIN CASE

24	94111-10000	WASHER, SPRING, 10MM	1
	94111-10000	WASHER, SPRING, 10MM	1
25	94201-20150	PIN, SPLIT, 2.0 X 15	1
	94201-20150	PIN, SPLIT, 2.0 X 15	1
26	95701-06012-00	BOLT, FLANGE, 6X12	4
	95701-06012-00	BOLT, FLANGE, 6X12	4
27	94001-06000-0S	NUT, HEX., 6 MM	2
	94001-06000-0S	NUT, HEX., 6 MM	2

F-20 : CUSHION REAR



F-20 : CUSHION REAR

Group Number: F-20 **Model ::** Hunk (Feb, 2017)

Ref No.	Part Number	Description	Req.
1	51488-KTN-701	COLLAR, RUBBER BUSH (UNDER)	2
2	52400-AAK-100	CUSHION ASSY RR	2
	52400-AAK-100	CUSHION ASSY RR	2
3	52486-KTN-701	COLLAR, RUBBER BUSH (UPPER)	2
4	52489-399-600	BUSH ,RUBBER (UPPER)	4
5	90551-178-000	WASHER,SPL., 10MM	2
	90551-178-000	WASHER,SPL., 10MM	2
6	94021-10000-0S	NUT, HEX., CAP, 10MM	2
	94021-10000-0S	NUT, HEX., CAP, 10MM	2
7	94101-12000	WASHER, PLAIN, 12MM	2
	94101-12000	WASHER, PLAIN, 12MM	2
8	95801-10035-00	BOLT, FLANGE, 10X35	2
9	94002-10000-0S	NUT, HEX, 10MM	1

F-21 : REAR FENDER

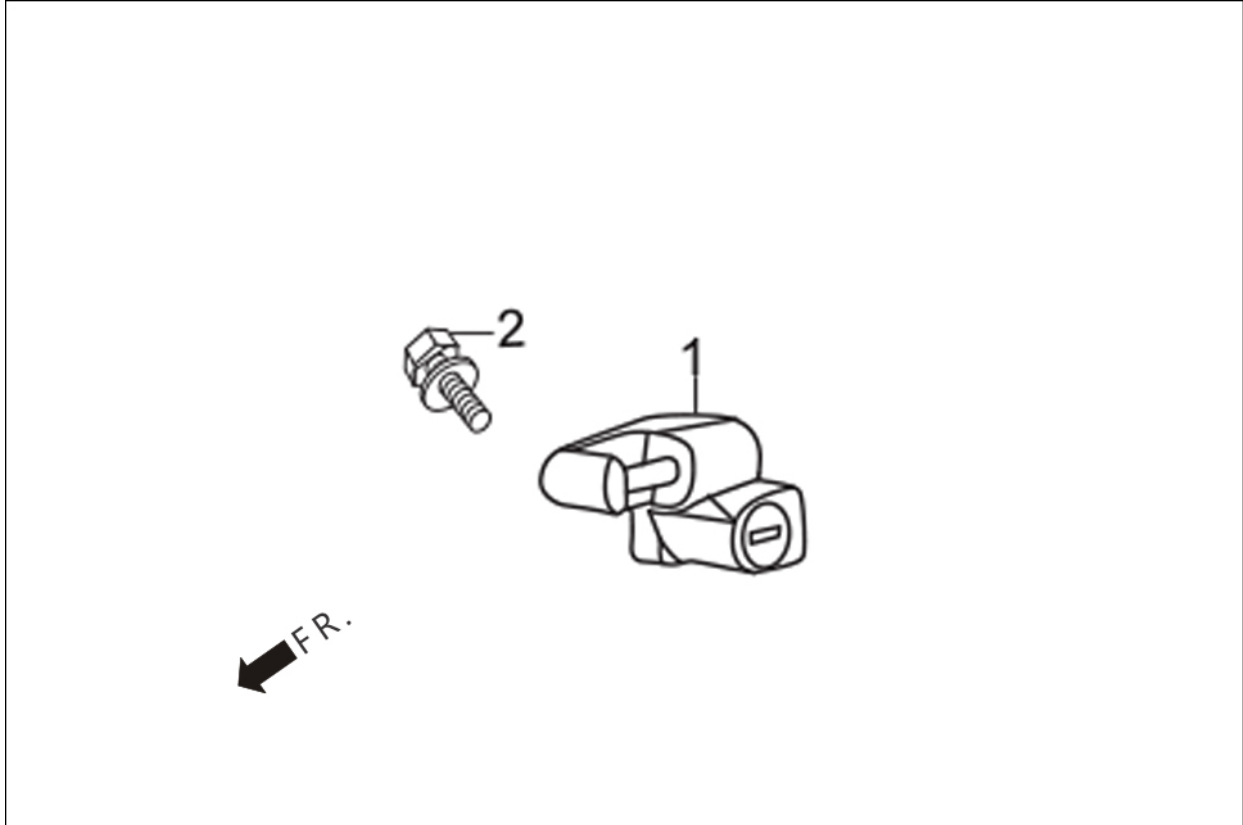
Group Number: F-21 **Model ::** Hunk (Feb, 2017)

Ref No.	Part Number	Description	Req.
1	33741-KST-920	REFLEX REFLECTOR	1
	33741-KST-920	REFLEX REFLECTOR	1
2	47117-196-000	RUBBER, STOPPER	2
	47117-196-000	RUBBER, STOPPER	2
3	50186-KVN-900	STAY, RR WINKER	1
	50186-KVN-900	STAY, RR WINKER	1
4	80100-KVN-900	FENDER, COMP., REAR	1
	80100-KVN-900	FENDER, COMP., REAR	1
5	80102-KVN-900	COVER, TOOL BOOX	1
	80102-KVN-900	COVER, TOOL BOOX	1
6	80111-KVN-900	COLLAR, RR. FENDER	6
	80111-KVN-900	COLLAR, RR. FENDER	6
7	80112-KVN-900	RUBBER, RR FENDER	6
	80112-KVN-900	RUBBER, RR FENDER	6
8	84701-KVN-900	BRACKET, RR. NO. PLATE	1
	84701-KVN-900	BRACKET, RR. NO. PLATE	1
9	88150-KVN-900	RR ., FENDER COVER	1
	88150-KVN-900	RR ., FENDER COVER	1
10	90101-087-720	SCREW, HEAD LIGHT SET	2
11	90103-KVN-900	SCREW, PAN 5 X 13.5	1

F-21 : REAR FENDER

12	90320-GC3-000	NUT, SPRING, M5	4
13	93903-34210	SCREW TAPPING 4X10	1
14	93903-34410	SCREW, TAPPING, 4 X 16.	1
15	93903-35280	SCREW, TAPPING, 5 X 12	2
16	94002-06000-0S	NUT, HEX 6MM	1
17	94050-06000	NUT, FLANGE, 6 MM	3
	94050-06000	NUT, FLANGE, 6 MM	3
18	94591-27000	CLIP 2 X 70	1
	94591-27000	CLIP 2 X 70	1
19	95701-06012-00	BOLT, FLANGE, 6X12	2
	95701-06012-00	BOLT, FLANGE, 6X12	2
20	95701-06020-07	BOLT, FLANGE, 6 X 20	6
	95701-06020-07	BOLT, FLANGE, 6 X 20	6

F-21A : HOLDER ASSY.(OPTIONAL)

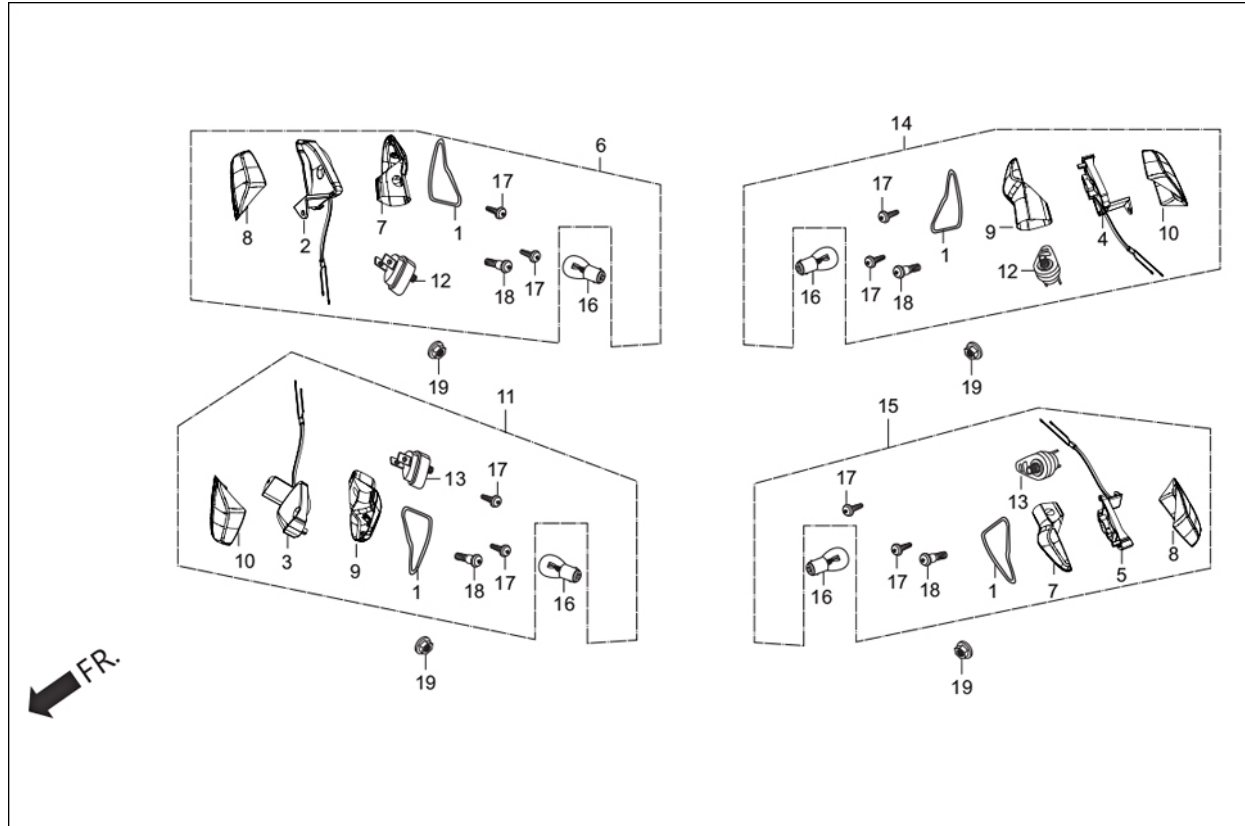


F-21A : HOLDER ASSY.(OPTIONAL)

Group Number: F-21A **Model ::** Hunk (Feb, 2017)

Ref No.	Part Number	Description	Req.
1	50720-AAB-H61	HOLDER ASSY HELMET	1
2	90107-428-000	BOLT,B SPECIAL,6 MM	1

F-22 : WINKER



F-22 : WINKER

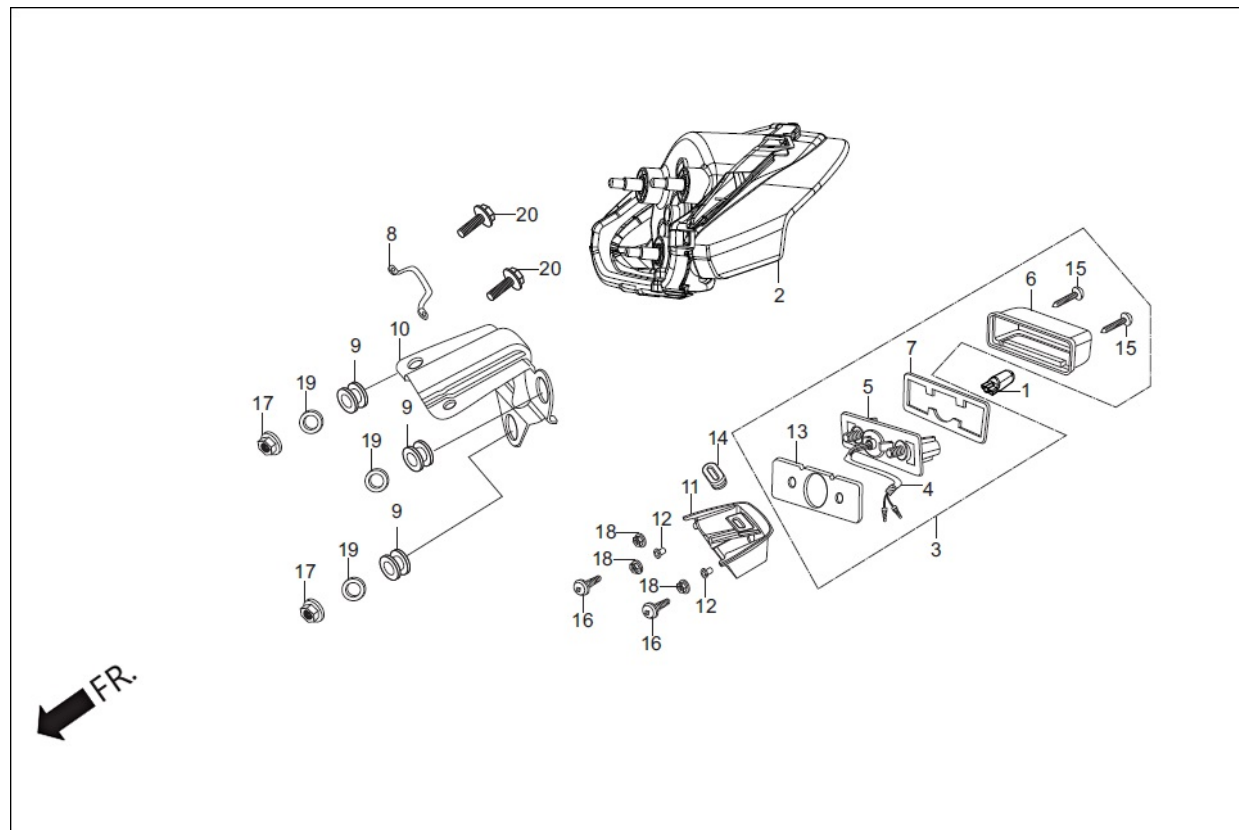
Group Number: F-22 Model :: Hunk (Feb, 2017)

Ref No.	Part Number	Description	Req.
1	33307-KVN-901	PACKING LENS	4
2	3331A-AAK-201	REFLECTOR COMP., WINKER RFR.,	2
3	3331B-AAK-201	REFLECTOR COMP., WINKER LFR.,	2
4	3331C-AAK-201	REFLECTOR COMP., WINKER RRR.,	2
5	3331D-AAK-201	REFLECTOR COMP., WINKER LRR.,	2
6	3340B-AAK-201	WINKER, ASSY. R. FR. (W/O BULB)	1
	3340B-AAK-201	WINKER, ASSY. R. FR. (W/O BULB)	1
7	33401-AAB-401	BASE WINKER A	2
8	33402-AAB-401	LENS WINKER A	2
9	33451-AAB-401	BASE WINKER B	2
10	33452-AAB-401	LENS WINKER B	1
11	3345B-AAK-201	WINKER, ASSY., L FR. (W/O BULB)	1
	3345B-AAK-201	WINKER, ASSY., L FR. (W/O BULB)	1
12	33605-KVN-901	STAY COMP., WINKER A	2
13	33606-KVN-901	STAY, COMP., WINKER B	2
14	3360B-AAK-201	WINKER, ASSY. R. RR (W/O BULB)	1
	3360B-AAK-201	WINKER, ASSY. R. RR (W/O BULB)	1
15	3365B-AAK-201	WINKER ASSY., L RR. (W/O BULB)	1
	3365B-AAK-201	WINKER ASSY., L RR. (W/O BULB)	1
16	34908-AAB-401	BULB (12V10W) AMBER E MARK	4

F-22 : WINKER

	34908-AAB-401	BULB (12V10W) AMBER E MARK	4
17	90104-KVN-900	SCREW , TAPPING M3X15	8
18	90380-MB2-000	SCREW, SPECIAL, 6 X 8	4
19	94050-10000	NUT, FLANGE, 10MM	4
	94050-10000	NUT, FLANGE, 10MM	4

F-23 : TAIL LIGHT



F-23 : TAIL LIGHT

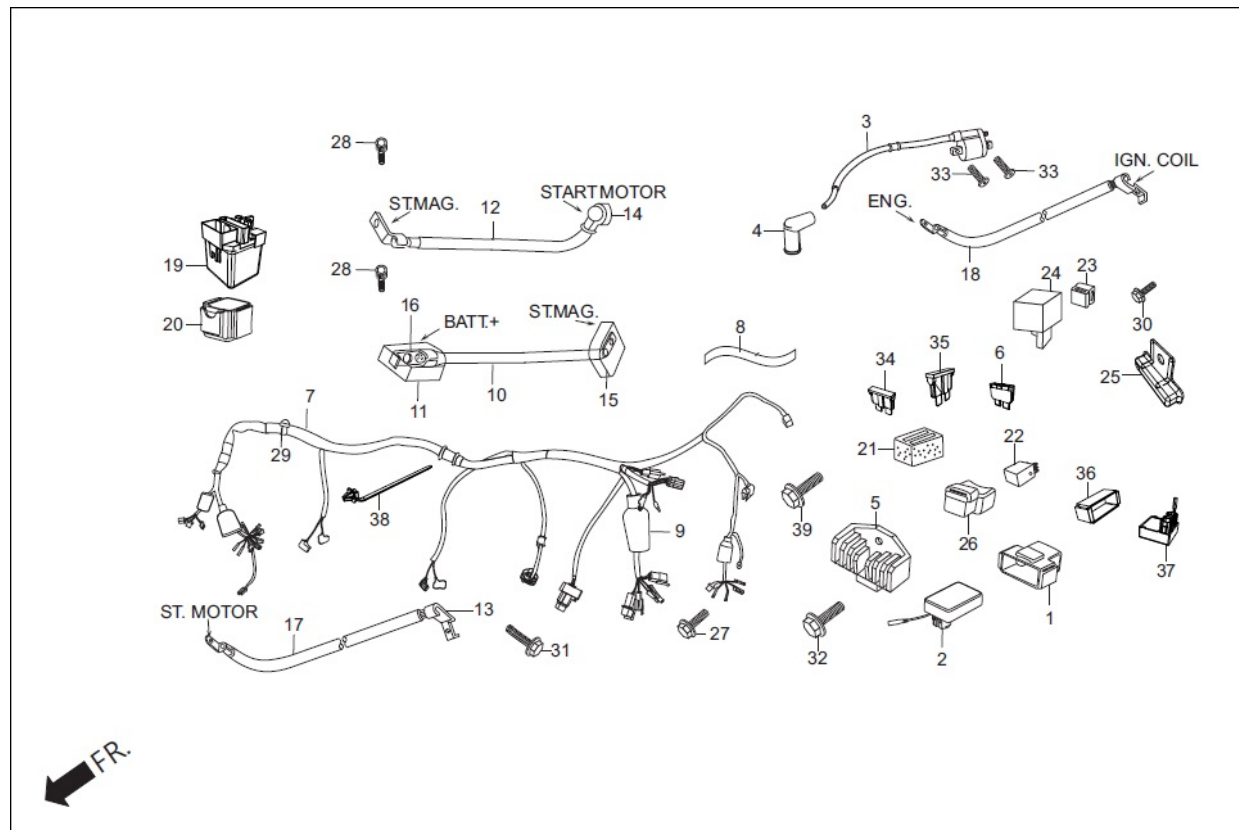
Group Number: F-23 **Model ::** Hunk (Feb, 2017)

Ref No.	Part Number	Description	Req.
1	34351-AAB-401	BULB (12VW5W) E MARK	1
	34351-AAB-401	BULB (12VW5W) E MARK	1
2	33701-AAK-201	UNIT TAIL LIGHT	1
	33701-AAK-201	UNIT TAIL LIGHT	1
3	3372B-AAG-30099	LIGHT ASSY LICENSE	1
	3372B-AAG-30099	LIGHT ASSY LICENSE	1
4	33721-KVE-900	SOCKET, COMP	1
5	33722-KVE-900	BASE COMP.	1
6	33723-KVE-900H	COVER COMP.	1
7	33729-MCZ-003	PACKING, LENS	1
8	50192-KVN-900	BAR, SEAT STOPPER	1
	50192-KVN-900	BAR, SEAT STOPPER	1
9	77205-KVN-900	RUBBER, TAIL LIGHT MOUNT	3
	77205-KVN-900	RUBBER, TAIL LIGHT MOUNT	3
10	77235-KVN-900	STAY, TAIL LIGHT	1
	77235-KVN-900	STAY, TAIL LIGHT	1
11	80201-KVN-900	BASE, LICENSE LIGHT	1
	80201-KVN-900	BASE, LICENSE LIGHT	1
12	80202-KVE-900	COLLAR LICENSE LIGHT	2
13	80203-KVE-900	RUBBER LICENSE LIGHT	1

F-23 : TAIL LIGHT

14	83601-KVN-900	GROMMET RR. FENDER COVER	1
	83601-KVN-900	GROMMET RR. FENDER COVER	1
15	93901-24480	SCREW, TAPPING, 4 X 16	2
16	93903-34410	SCREW, TAPPING, 4 X 16.	2
17	94050-05000	NUT FLANGE, 5 MM	2
18	94050-06000	NUT, FLANGE, 6 MM	3
	94050-06000	NUT, FLANGE, 6 MM	3
19	94103-06800	WASHER, PLAIN 6 MM	3
20	95701-06016-07	BOLT, FLANGE, 6 X 16	2

F-24 : WIRE HARNESS/START CABLES



F-24 : WIRE HARNESS/START CABLES

Group Number: F-24 **Model ::** Hunk (Feb, 2017)

Ref No.	Part Number	Description	Req.
1	30401-KVE-901	CUSHION, C.D.I. UNIT	1
	30401-KVE-901	CUSHION, C.D.I. UNIT	1
2	30410-AAB-101	UNIT COMP. DIGITAL DC-CDI	1
	30410-AAB-101	UNIT COMP. DIGITAL DC-CDI	1
3	30500-AAB-H61	COIL ASSY IGN	1
	30500-AAB-H61	COIL ASSY IGN	1
4	30700-KTC-A21	CAP ASSY., NOISE SUPRESSOR	1
	30700-KTC-A21	CAP ASSY., NOISE SUPRESSOR	1
5	31600-KWS-901	REG RECT COMP	1
	31600-KWS-901	REG RECT COMP	1
6	98200-32000	BLADE, FUSE, 20A	1
	98200-32000	BLADE, FUSE, 20A	1
7	32100-AAK-600	HARNESS WIRE	1
	32100-AAK-600	HARNESS WIRE	1
8	32101-KVN-970	SUB HARNESS FR.,	1
	32101-KVN-970	SUB HARNESS FR.,	1
9	32108-344-820	COVER, CONNECTOR	1
	32108-344-820	COVER, CONNECTOR	1
10	32401-KVN-970	CABLE,ST-MAG BATT	1
	32401-KVN-970	CABLE,ST-MAG BATT	1

F-24 : WIRE HARNESS/START CABLES

11	32406-KVN-970	COVER ST.MAG.TERMINAL A	1
12	32410-KVN-970	CABLE,START MOTOR	1
	32410-KVN-970	CABLE,START MOTOR	1
13	32413-KRY-970	TERMINAL, BAT CABLE	1
14	32411-253-000	COVER, STARTING MOTOR	1
	32411-253-000	COVER, STARTING MOTOR	1
15	32414-KVN-970	COVER,BAT TERMINAL	1
	32414-KVN-970	COVER,BAT TERMINAL	1
16	32418-KRY-970	TERMINAL, BAT	1
17	32601-KVN-970	CABLE,BAT EARTH	1
	32601-KVN-970	CABLE,BAT EARTH	1
18	32602-KVN-900	CABLE, ENG. EARTH	1
	32602-KVN-900	CABLE, ENG. EARTH	1
19	35850-AAM-H01	SW ASSY. START MAG	1
	35850-AAM-H01	SW ASSY. START MAG	1
	35850-KR3-870	SWITCH ASSY., START MAG.	1
	35850-KR3-870	SWITCH ASSY., START MAG.	1
20	35856-KBG-007	RUBBER,SHOCK	1
	35856-KBG-007	RUBBER,SHOCK	1
21	38201-KVN-910	RUBBER, SPARE FUSE SET	1
	38201-KVN-910	RUBBER, SPARE FUSE SET	1
22	38301-AAE-20099	RELAY COMP., WINKER	1

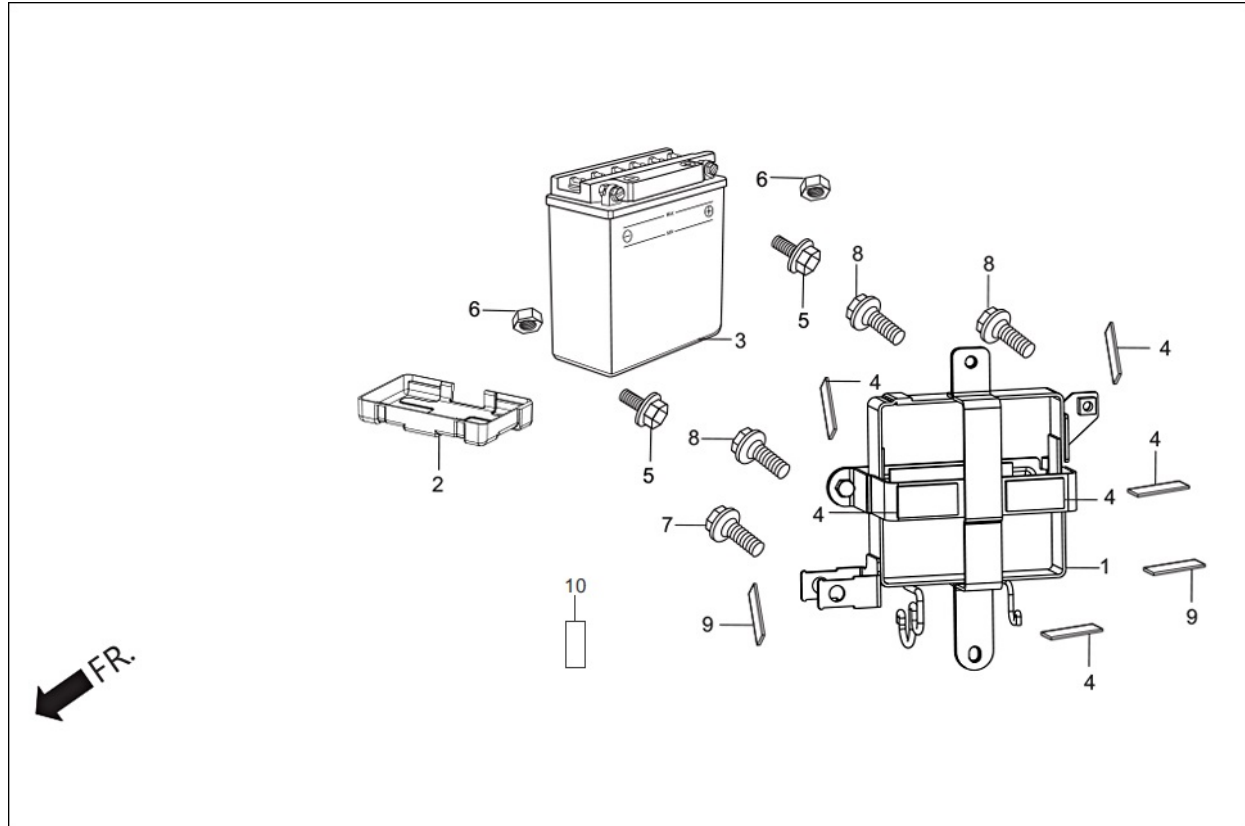
F-24 : WIRE HARNESS/START CABLES

23	38306-GE7-000	SUSPENSION, WINKER RELAY	1
	38306-GE7-000	SUSPENSION, WINKER RELAY	1
24	38502-KSP-910	RELAY COMP., POWER (MICRO ISO 5P)	1
	38502-KSP-910	RELAY COMP., POWER (MICRO ISO 5P)	1
25	35400-KRY-970	RESISTOR COMP.	1
	35400-KRY-970	RESISTOR COMP.	1
26	38506-KSP-910	SUS., POWER RELAY	1
	38506-KSP-910	SUS., POWER RELAY	1
27	90110-KVE-900	BOLT SOCKET 6X8	1
28	90111-MR5-000	BOLT, SOCKET, 5X9	2
29	91551-AAB-100	BAND, CLAMP	1
30	95701-06012-00	BOLT, FLANGE, 6X12	1
	95701-06012-00	BOLT, FLANGE, 6X12	1
31	95701-06014-00	BOLT, FLANGE, 6 X 14	1
	95701-06014-00	BOLT, FLANGE, 6 X 14	1
32	95701-06016-00	BOLT, FLANGE, 6X16	1
	95701-06016-00	BOLT, FLANGE, 6X16	1
33	96001-06020-00	BOLT, FLANGE, SH. 6 X 20	2
34	98200-31000	BLADE, FUSE 10A	1
	98200-31000	BLADE, FUSE 10A	1
35	98200-31500	BLADE, FUSE, 15A	1
	98200-31500	BLADE, FUSE, 15A	1

F-24 : WIRE HARNESS/START CABLES

36	30401-AAL-00099	CUSHION CDI UNIT	1
37	30460-AAM-000	CONTROLLER UNIT COMP I3S	1
	30460-AAM-000	CONTROLLER UNIT COMP I3S	1
38	91547-SF4-003	BAND,HARN	1
39	96001-06016-00	BOLT, FLANGE SH. 6 X 16	1

F-24A : BATTERY ASSY.

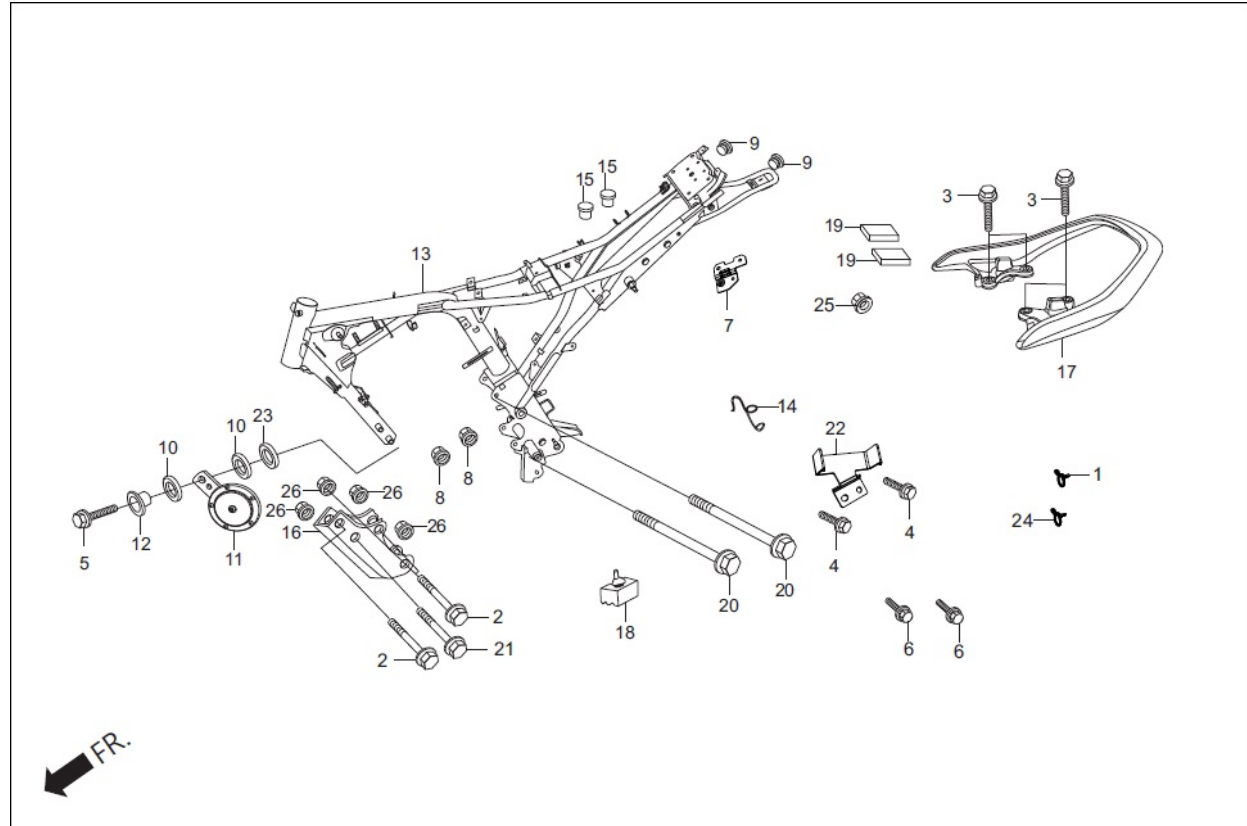


F-24A : BATTERY ASSY.

Group Number: F-24A **Model ::** Hunk (Feb, 2017)

Ref No.	Part Number	Description	Req.
1	17232-KVN-970	CASE COMP,BATTERY	1
	17232-KVN-970	CASE COMP,BATTERY	1
2	17250-KVN-970H	TRAY,BATTERY	1
	17250-KVN-970H	TRAY,BATTERY	1
3	31500-KRP-801	BATTERY ASSY	1
	31500-KRP-801	BATTERY ASSY	1
4	50383-KRC-900	RUBBER , BATTERY	6
	50383-KRC-900	RUBBER , BATTERY	6
5	90122-KVT-941	BOLT BATTERY TERMINAL	1
6	90306-KVT-941	NUT BATTERY TERMINAL	2
7	95701-06008-00	BOLT, FLANGE, 6X8	1
8	95701-06012-00	BOLT, FLANGE, 6X12	3
	95701-06012-00	BOLT, FLANGE, 6X12	3
9	83407-KCC-902	CUSHION, FR. VISOR	2
	83407-KCC-902	CUSHION, FR. VISOR	2
10	94021-06090-0S	NUT, HEX CAP 6MM	1

F-25 : FRAME BODY/ASV/GRIP REAR



F-25 : FRAME BODY/ASV/GRIP REAR

Group Number: F-25 Model :: Hunk (Feb, 2017)

Ref No.	Part Number	Description	Req.
1	15772-KTN-900	CLIP BREATHER TUBE	1
2	95801-08090-00	BOLT FLANGE 8X90	3
3	95701-08022-08	BOLT, FLANGE, 8 X 22	4
	95701-08022-08	BOLT, FLANGE, 8 X 22	4
4	95701-06010-00	BOLT, FLANGE, 6 X 10	2
	95701-06010-00	BOLT, FLANGE, 6 X 10	2
5	95701-06020-07	BOLT, FLANGE, 6 X 20	1
	95701-06020-07	BOLT, FLANGE, 6 X 20	1
6	95701-06012-00	BOLT, FLANGE, 6X12	2
	95701-06012-00	BOLT, FLANGE, 6X12	2
7	51104-AAK-200	STAY, HELMET HOLDER	1
	51104-AAK-200	STAY, HELMET HOLDER	1
8	94050-10000	NUT, FLANGE, 10MM	2
	94050-10000	NUT, FLANGE, 10MM	2
9	19902-865-780	GROMMET, A SIDE COVER	2
	19902-865-780	GROMMET, A SIDE COVER	2
10	33714-KL3-620	RUBBER, TAIL LIGHT	2
	33714-KL3-620	RUBBER, TAIL LIGHT	2
11	38110-AAK-201	HORN, COMP.,	1
	38110-AAK-201	HORN, COMP.,	1

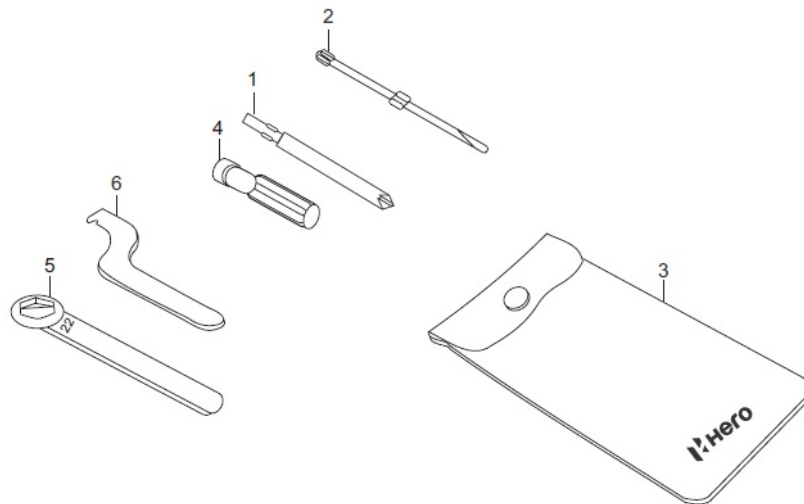
F-25 : FRAME BODY/ASV/GRIP REAR

12	38117-KFE-701	COLLAR, HORN SET	1
	38117-KFE-701	COLLAR, HORN SET	1
13	50100-AAK-600	FRAME, BODY COMP	1
	50100-AAK-600	FRAME, BODY COMP	1
14	50296-KVE-900	GUIDE DRAIN HOSE	1
	50296-KVE-900	GUIDE DRAIN HOSE	1
15	50328-KVN-900	RUBBER, TANK MTG.	2
	50328-KVN-900	RUBBER, TANK MTG.	2
16	50351-KVN-900	PLATE FRONT ENG HANGER	1
	50351-KVN-900	PLATE FRONT ENG HANGER	1
17	50400-KVN-870	GRIP REAR	1
	50400-KVN-870	GRIP REAR	1
18	50505-KCC-900	STOPPER RUBBER, A STAND	1
	50505-KCC-900	STOPPER RUBBER, A STAND	1
19	77231-KVE-900	CUSHION COWL CENTER A.	2
	77231-KVE-900	CUSHION COWL CENTER A.	2
20	90019-399-010	BOLT, FLANGE, 10 X 110	2
	90019-399-010	BOLT, FLANGE, 10 X 110	2
21	95801-08095-00	BOLT, FLANGE, 8 X 95	1
	95801-08095-00	BOLT, FLANGE, 8 X 95	1
22	50220-AAK-600	BRKT I3S CONTROLLER	1
	50220-AAK-600	BRKT I3S CONTROLLER	1

F-25 : FRAME BODY/ASV/GRIP REAR

23	90525-428-900	WASHER, PLANE 6 MM	1
24	90601-KAF-003	CLIP, SW. COVER	1
25	94050-06000	NUT, FLANGE, 6 MM	1
	94050-06000	NUT, FLANGE, 6 MM	1
26	94050-08000	NUT, FLANGE, 8MM	4
	94050-08000	NUT, FLANGE, 8MM	4

F-26 : TOOLS



FR. ←

F-26 : TOOLS

Group Number: F-26 **Model ::** Hunk (Feb, 2017)

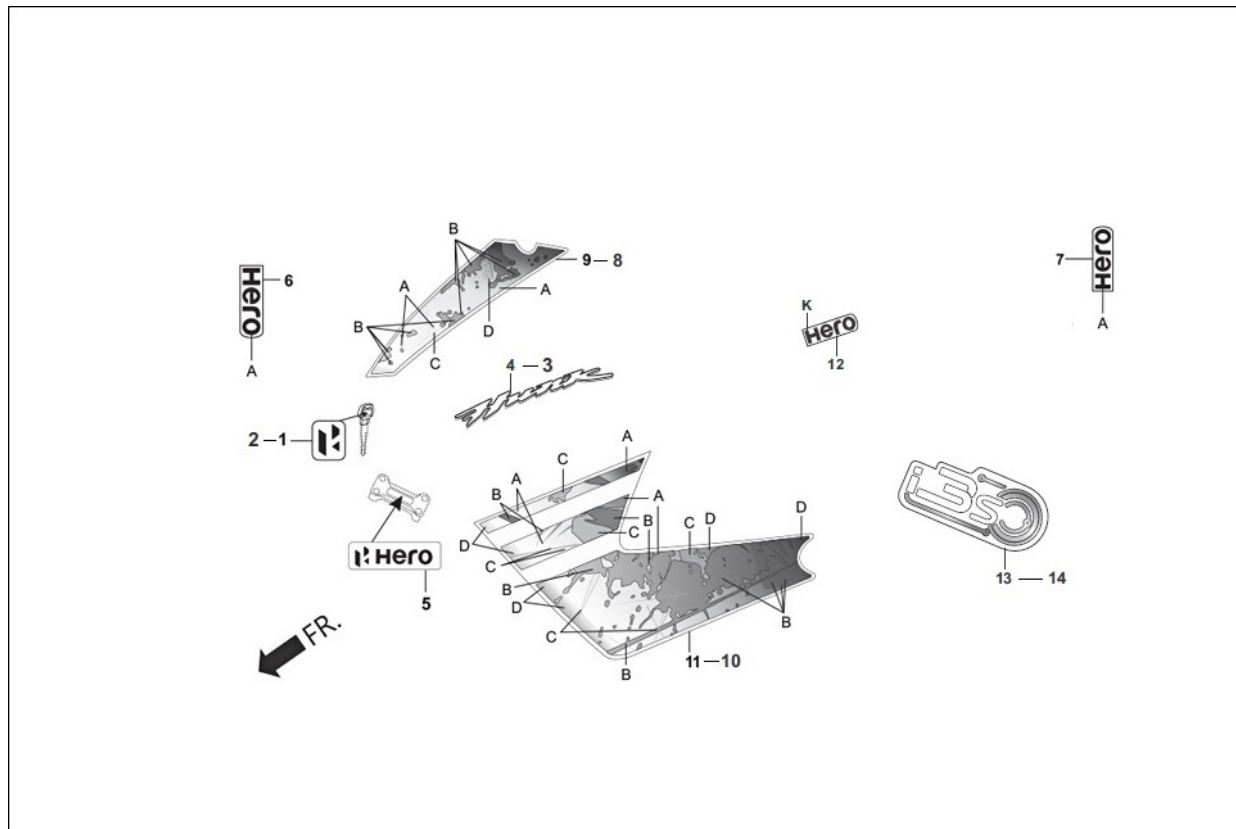
Ref No.	Part Number	Description	Req.
1	89102-AAC-000	NO.3 CROSS POINT SCREW DRIVER	1
2	89102-538-000	SCREW, DRIVER PLUS/MINUS	1
3	89216-AAD-H00	TOOL BAG	1
4	89103-538-000	GRIP, SCREW DRIVER	1
5	89215-AAC-000	BOX WRENCH P16X14	1
6	99007-AAK-100	PIN, SPANNER	1

F-27 : STRIPE/ MARKS

Group Number: F-27 **Model ::** Hunk (Feb, 2017)

Ref No.	Part Number	Description	Req.
1	35113-KZJ-H00	EMBLEM ICON	1

F-27 : STRIPE/ MARKS

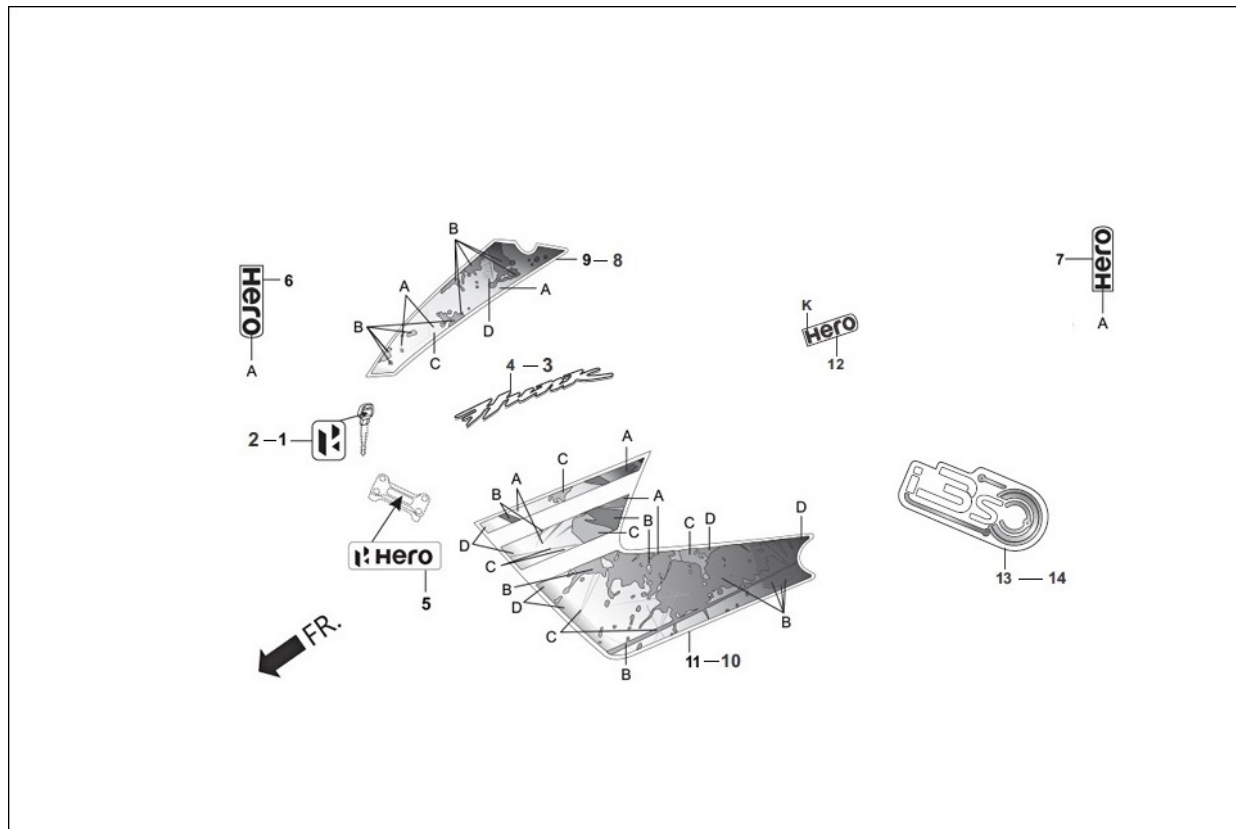


F-27 : STRIPE/ MARKS

Group Number: F-27 **Model ::** Hunk (Feb, 2017)

Ref No.	Part Number	Description	Req.
2	35114-KZJ-H00	EMBLEM,WORD MARK	1

F-27 : STRIPE/ MARKS



F-27 : STRIPE/ MARKS

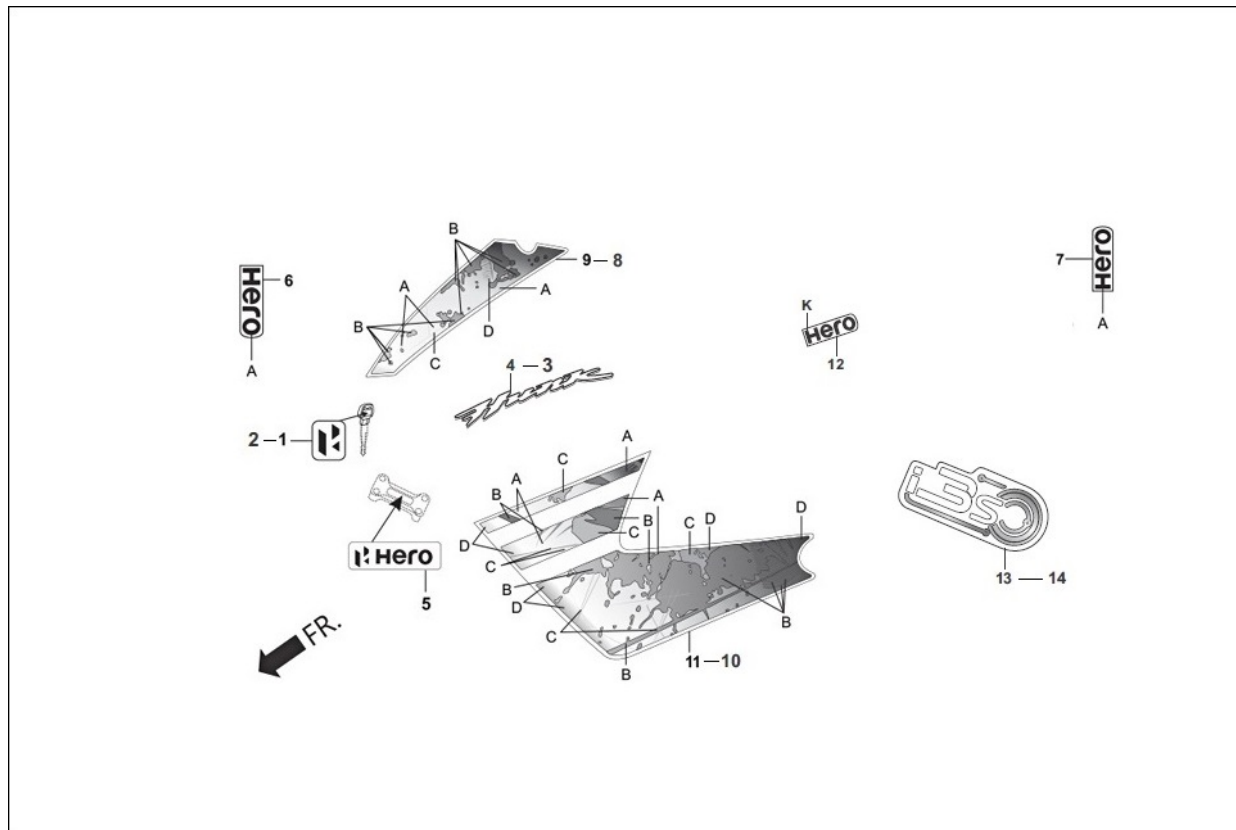
Group Number: F-27 **Model ::** Hunk (Feb, 2017)

Ref No.	Part Number	Description	Req.
3	50201-KVN-900	EMBLEM, R SHROUD	1
	50201-KVN-900	EMBLEM, R SHROUD	1

SPECIFIED COLOUR CHART FOR STRIPS, THRILLER MARK R. SHROUD

SPECIFIED COLOUR TYPE	A	B	C	MAIN BODY COLOUR
1	BRUSHED ALUMINIUM	PANTHER BLACK ME. (NH-B08M)	HEAVY GRAY ME.	PANTHER BLACK ME. (NH-B08M)
4	BRUSHED ALUMINIUM	MAT BLACK NH - 105	HEAVY GRAY ME.	MAT BLACK (NH-105)
5	BRUSHED ALUMINIUM	CANDY BLAZING RED (R-195C)	BLACK NH - 1	CANDY BLAZING RED (R-195C)
4	BRUSHED ALUMINIUM	PEARL HARVEST GREEN (GY-136P)	BLACK NH - 1	PEARL HARVEST GREEN (GY-136P)
7	BRUSHED ALUMINIUM	SPORTS RED (R-321)	BLACK NH - 1	SPORTS RED (R-321)
8	BRUSHED ALUMINIUM	PEARL FADELESS WHITE (NH-341P)	BLACK NH - 1	PEARL FADELESS WHITE (NH-341P)

F-27 : STRIPE/ MARKS



F-27 : STRIPE/ MARKS

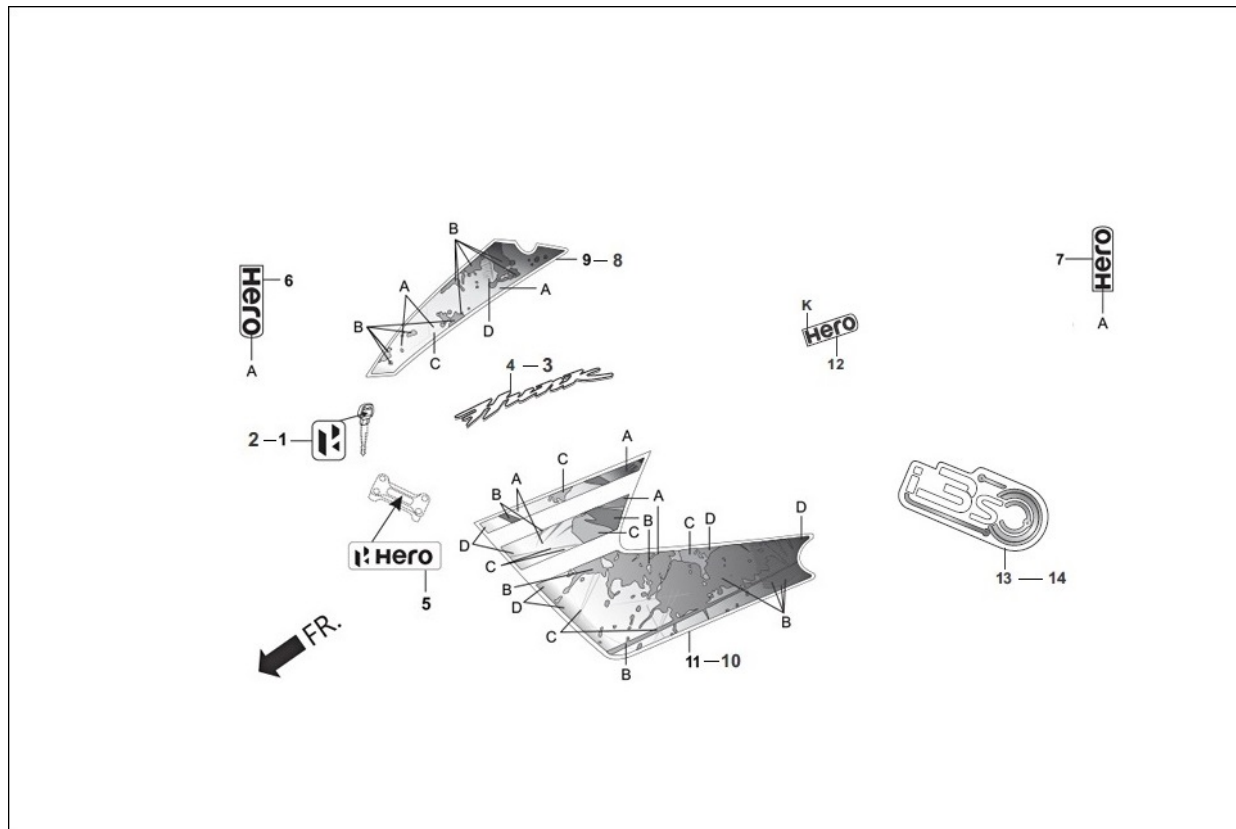
Group Number: F-27 **Model ::** Hunk (Feb, 2017)

Ref No.	Part Number	Description	Req.
4	50301-KVN-900	EMBLEM, L SHROUD	1
	50301-KVN-900	EMBLEM, L SHROUD	1

SPECIFIED COLOUR CHART FOR STRIPS, THRILLER MARK L. SHROUD

SPECIFIED COLOUR TYPE	A	B	C	MAIN BODY COLOUR
1	BRUSHED ALUMINIUM	PANTHER BLACK ME. (NH-B08M)	HEAVY GRAY ME.	PANTHER BLACK ME. (NH-B08M)
4	BRUSHED ALUMINIUM	MAT BLACK NH - 105	HEAVY GRAY ME.	MAT BLACK (NH-105)
5	BRUSHED ALUMINIUM	CANDY BLAZING RED (R-195C)	BLACK NH - 1	CANDY BLAZING RED (R-195C)
4	BRUSHED ALUMINIUM	PEARL HARVEST GREEN (GY-136P)	BLACK NH - 1	PEARL HARVEST GREEN (GY-136P)
7	BRUSHED ALUMINIUM	SPORTS RED (R-321)	BLACK NH - 1	SPORTS RED (R-321)
8	BRUSHED ALUMINIUM	PEARL FADELESS WHITE (NH-341P)	BLACK NH - 1	PEARL FADELESS WHITE (NH-341P)

F-27 : STRIPE/ MARKS

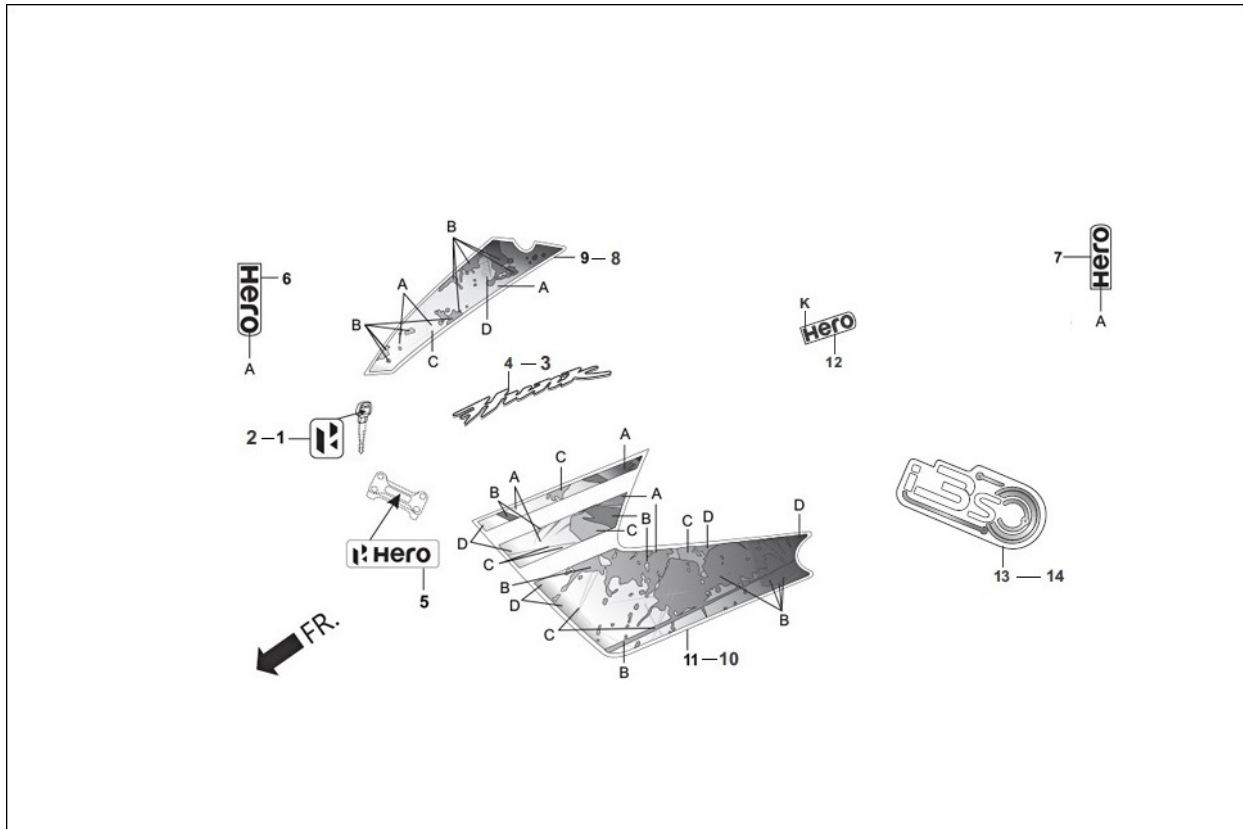


F-27 : STRIPE/ MARKS

Group Number: F-27 **Model ::** Hunk (Feb, 2017)

Ref No.	Part Number	Description	Req.
5	53132-KZN-900	EMBLEM HANDLE RR COVER	1
	53132-KZN-900	EMBLEM HANDLE RR COVER	1

F-27 : STRIPE/ MARKS



F-27 : STRIPE/ MARKS

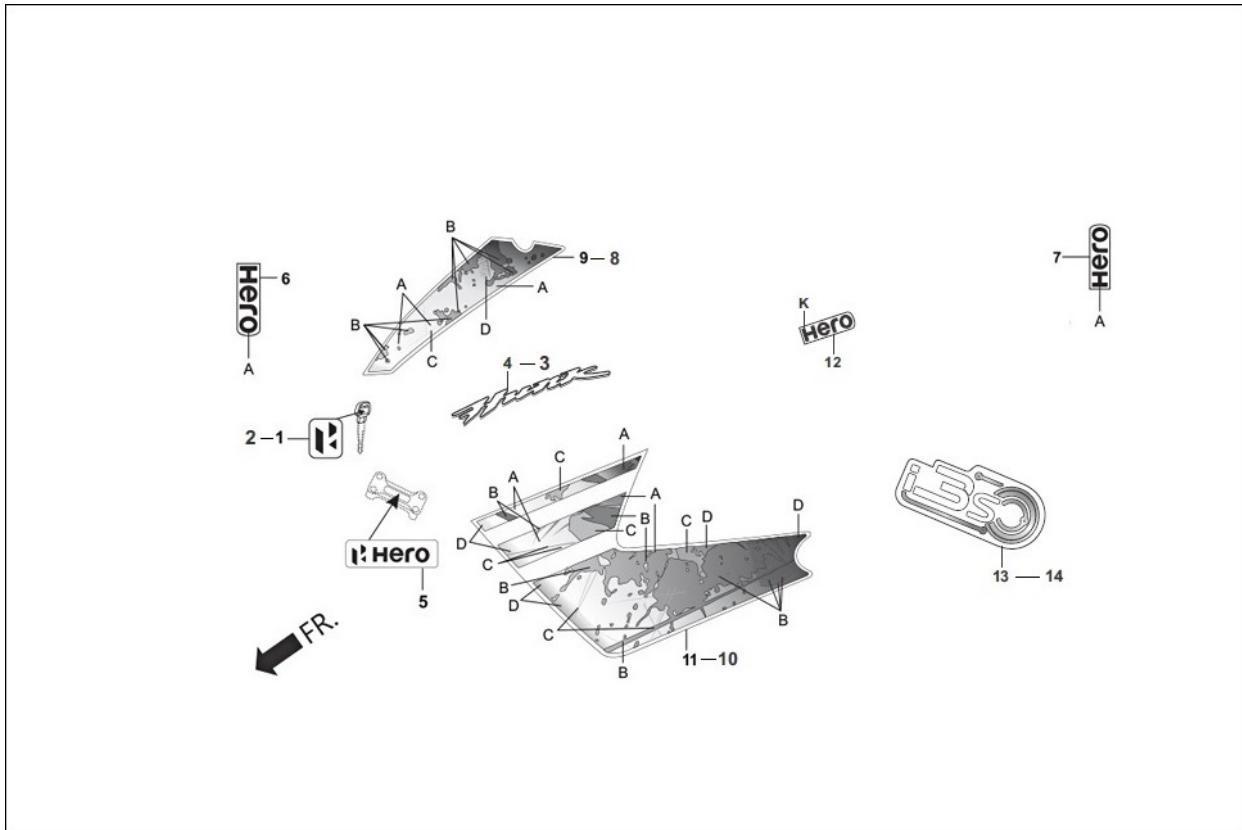
Group Number: F-27 **Model ::** Hunk (Feb, 2017)

Ref No.	Part Number	Description	Req.
6	64101-AAK-100	MARK, WIND SCREEN	1
	64101-AAK-100	MARK, WIND SCREEN	1

SPECIFIED COLOUR CHART FOR STRIPE, MARK WIND SCREEN

SPECIFIED COLOUR TYPE	A	MAIN BODY COLOUR
1	NH-259M SEED SILVER METALLIC	PANTHER BLACK ME. (NH-B08M)
		MAT BLACK (NH-105)
		CANDY BLAZING RED (R-195C)
		PEARL HARVEST GREEN (GY-136P)
		SPORTS RED (R-321)
		PEARL FADELESS WHITE (NH-341P)

F-27 : STRIPE/ MARKS



F-27 : STRIPE/ MARKS

Group Number: F-27 Model :: Hunk (Feb, 2017)

Ref No.	Part Number	Description	Req.
7	77238-AAK-100	MARK, CENTER RR. COWL	1
	77238-AAK-100	MARK, CENTER RR. COWL	1

SPECIFIED COLOUR CHART FOR STRIPE, MARK CENTER RR. COWL

SPECIFIED COLOUR TYPE	A	MAIN BODY COLOUR
1	NH-259M SEED SILVER METALLIC	PANTHER BLACK ME. (NH-B08M)
		MAT BLACK (NH-105)
		CANDY BLAZING RED (R-195C)
		PEARL HARVEST GREEN (GY-136P)
		SPORTS RED (R-321)
		PEARL FADELESS WHITE (NH-341P)

F-27 : STRIPE/ MARKS

Group Number: F-27 **Model ::** Hunk (Feb, 2017)

Ref No.	Part Number	Description	Req.
8	86271-AAK-100R	STRIPE R COWL FR SIDE(TYPE-1)	1
	86271-AAK-100U	STRIPE R COWL FR SIDE(TYPE-4)	1
	86271-AAK-100U	STRIPE R COWL FR SIDE(TYPE-4)	1
	86271-AAK-100V	STRIPE R COWL FR SIDE(TYPE-5)	1
	86271-AAK-100X	STRIPE R COWL FR SIDE(TYPE-7)	1
	86271-AAK-100Y	STRIPE R COWL FR SIDE(TYPE-8)	1
	86271-AAK-100Z	STRIPE R COWL FR SIDE(TYPE-9)	1

SPECIFIED COLOUR CHART FOR STRIPE, R. COWL FR. SIDE

SPECIFIED COLOUR TYPE	A	B	C	D	MAIN BODY COLOUR
1	RED-1	CLASSY MAROON	STRIKE RED	PANTHER BLACK ME.	PANTHER BLACK ME. (NH-B08M)
4	WINE RED YELLOW	PANTONE 731C	MID BROWN	MAT BLACK	MAT BLACK (NH-105)
5	WHITE - 2	PURE RED	DARK RED	CANDY BLAZING RED	CANDY BLAZING RED (R-195C)
7	YELLOW GREEN ME.	BLACK SHINE ME.	METEO GOLD ME.	PEARL HARVEST GREEN	PEARL HARVEST GREEN (GY-136P)
8	BLACK-NH-1	MAGNA RED	DARK RED	TRANSPARENT	SPORTS RED (R-321)
9	DARK GREY	SILVER	IRON NAIL SILVER	TRANSPARENT	PEARL FADELESS WHITE (NH-341P)

F-27 : STRIPE/ MARKS

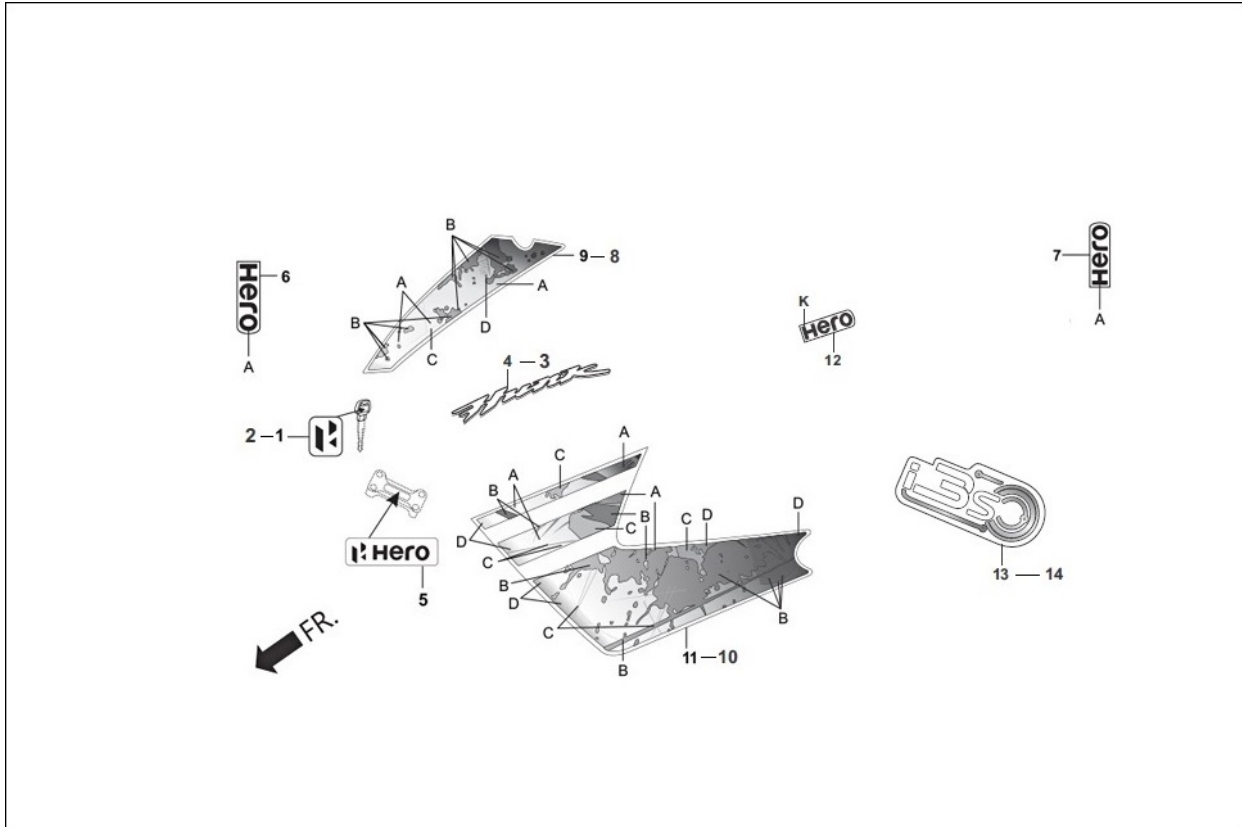
Group Number: F-27 **Model ::** Hunk (Feb, 2017)

Ref No.	Part Number	Description	Req.
9	86272-AAK-100R	STRIPE L COWL FR SIDE(TYPE-1)	1
	86272-AAK-100U	STRIPE L COWL FR SIDE(TYPE-4)	1
	86272-AAK-100U	STRIPE L COWL FR SIDE(TYPE-4)	1
	86272-AAK-100V	STRIPE L COWL FR SIDE(TYPE-5)	1
	86272-AAK-100X	STRIPE L COWL FR SIDE(TYPE-7)	1
	86272-AAK-100Y	STRIPE L COWL FR SIDE(TYPE-8)	1
	86272-AAK-100Z	STRIPE L COWL FR SIDE(TYPE-9)	1

SPECIFIED COLOUR CHART FOR STRIPE, L. COWL FR. SIDE

SPECIFIED COLOUR TYPE	A	B	C	D	MAIN BODY COLOUR
1	RED-1	CLASSY MAROON	STRIKE RED	PANTHER BLACK ME.	PANTHER BLACK ME. (NH-B08M)
4	WINE RED YELLOW	PANTONE 731C	MID BROWN	MAT BLACK	MAT BLACK (NH-105)
5	WHITE - 2	PURE RED	DARK RED	CANDY BLAZING RED	CANDY BLAZING RED (R-195C)
7	YELLOW GREEN ME.	BLACK SHINE ME.	METEO GOLD ME.	PEARL HARVEST GREEN	PEARL HARVEST GREEN (GY-136P)
8	BLACK-NH-1	MAGNA RED	DARK RED	TRANSPARENT	SPORTS RED (R-321)
9	DARK GREY	SILVER	IRON NAIL SILVER	TRANSPARENT	PEARL FADELESS WHITE (NH-341P)

F-27 : STRIPE/ MARKS



F-27 : STRIPE/ MARKS

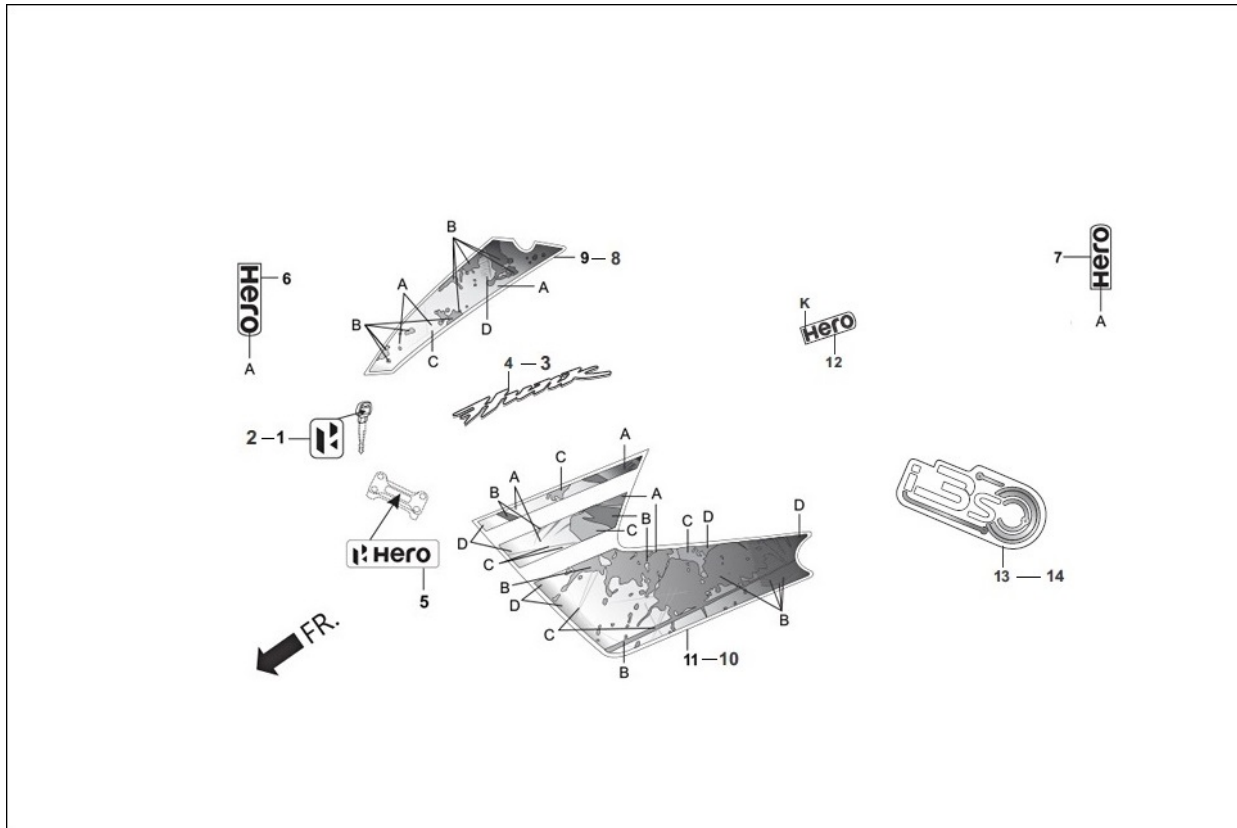
Group Number: F-27 **Model ::** Hunk (Feb, 2017)

Ref No.	Part Number	Description	Req.
10	86501-AAK-100R	STRIPE R SHROUD(TYPE-1)	1
	86501-AAK-100U	STRIPE R SHROUD(TYPE-4)	1
	86501-AAK-100U	STRIPE R SHROUD(TYPE-4)	1
	86501-AAK-100V	STRIPE R SHROUD(TYPE-5)	1
	86501-AAK-100X	STRIPE R SHROUD(TYPE-7)	1
	86501-AAK-100Y	STRIPE R SHROUD(TYPE-8)	1
	86501-AAK-100Z	STRIPE R SHROUD(TYPE-9)	1

SPECIFIED COLOUR CHART FOR MARK, RIGHT SHROUD

SPECIFIED COLOUR TYPE	A	B	C	D	MAIN BODY COLOUR
1	RED-1	CLASSY MAROON	STRIKE RED	PANTHER BLACK ME.	PANTHER BLACK ME. (NH-B08M)
4	WINE RED YELLOW	PANTONE 731C	MID BROWN	MAT BLACK	MAT BLACK (NH-105)
5	WHITE - 2	PURE RED	DARK RED	CANDY BLAZING RED	CANDY BLAZING RED (R-195C)
7	YELLOW GREEN ME.	BLACK SHINE ME.	METEO GOLD ME.	PEARL HARVEST GREEN	PEARL HARVEST GREEN (GY-136P)
8	BLACK-NH-1	MAGNA RED	DARK RED	TRANSPARENT	SPORTS RED (R-321)
9	DARK GREY	SILVER	IRON NAIL SILVER	TRANSPARENT	PEARL FADELESS WHITE (NH-341P)

F-27 : STRIPE/ MARKS



F-27 : STRIPE/ MARKS

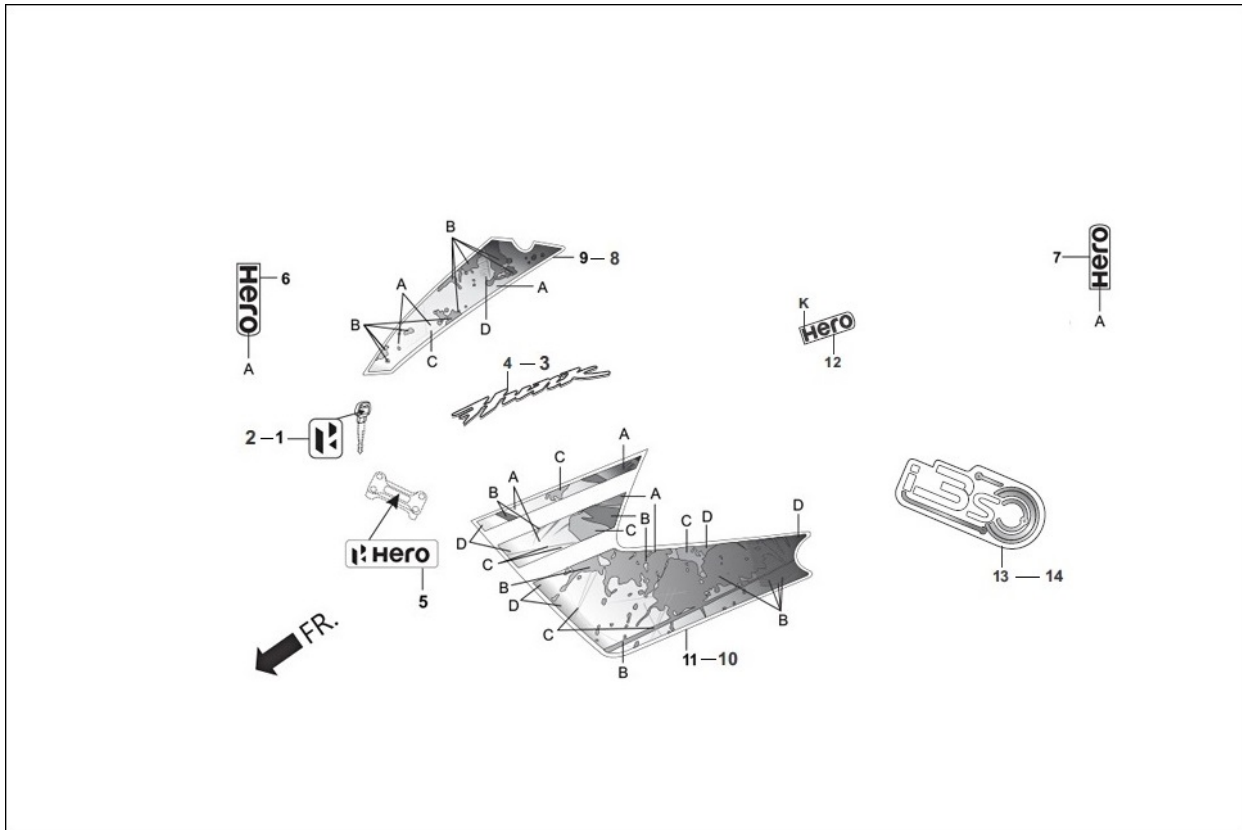
Group Number: F-27 Model :: Hunk (Feb, 2017)

Ref No.	Part Number	Description	Req.
11	86502-AAK-100R	STRIPE L SHROUD(TYPE-1)	1
	86502-AAK-100U	STRIPE L SHROUD(TYPE-4)	1
	86502-AAK-100U	STRIPE L SHROUD(TYPE-4)	1
	86502-AAK-100V	STRIPE L SHROUD(TYPE-5)	1
	86502-AAK-100X	STRIPE L SHROUD(TYPE-7)	1
	86502-AAK-100Y	STRIPE L SHROUD(TYPE-8)	1
	86502-AAK-100Z	STRIPE L SHROUD(TYPE-9)	1

SPECIFIED COLOUR CHART FOR MARK, LEFT SHROUD

SPECIFIED COLOUR TYPE	A	B	C	D	MAIN BODY COLOUR
1	RED-1	CLASSY MAROON	STRIKE RED	PANTHER BLACK ME.	PANTHER BLACK ME. (NH-B08M)
4	WINE RED YELLOW	PANTONE 731C	MID BROWN	MAT BLACK	MAT BLACK (NH-105)
5	WHITE - 2	PURE RED	DARK RED	CANDY BLAZING RED	CANDY BLAZING RED (R-195C)
7	YELLOW GREEN ME.	BLACK SHINE ME.	METEO GOLD ME.	PEARL HARVEST GREEN	PEARL HARVEST GREEN (GY-136P)
8	BLACK-NH-1	MAGNA RED	DARK RED	TRANSPARENT	SPORTS RED (R-321)
9	DARK GREY	SILVER	IRON NAIL SILVER	TRANSPARENT	PEARL FADELESS WHITE (NH-341P)

F-27 : STRIPE/ MARKS



F-27 : STRIPE/ MARKS

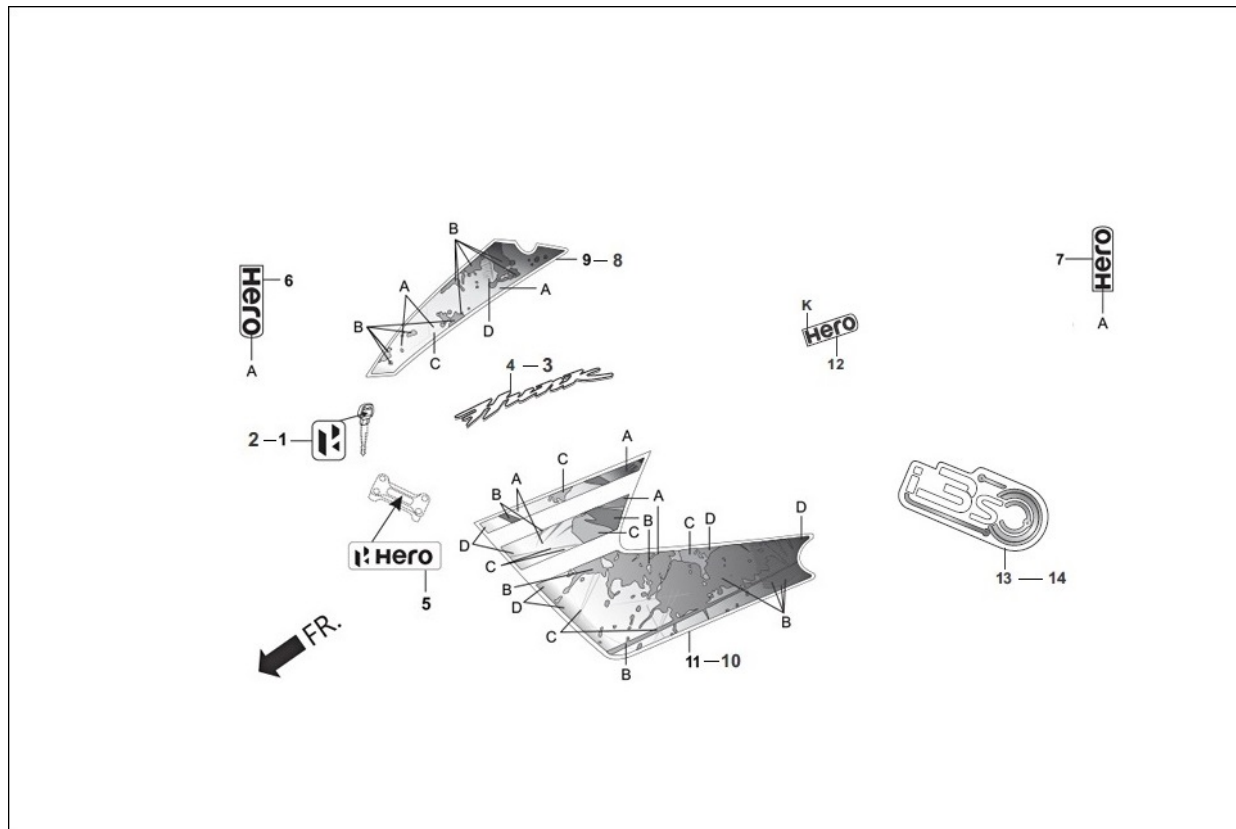
Group Number: F-27 Model :: Hunk (Feb, 2017)

Ref No.	Part Number	Description	Req.
12	86771-AAK-H70ZA	MARK REAR COWL (TYPE-1)	1
	86771-AAK-H70ZA	MARK REAR COWL (TYPE-1)	1
	86771-AAK-H70ZB	MARK REAR COWL (TYPE-2)	1

SPECIFIED COLOUR CHART FOR MARK RIGHT RR. COWL

SPECIFIED COLOUR TYPE	A	D	E	MAIN BODY COLOUR
1	RED-1	FORCE SILVER ME	PANTHER BLACK ME.	PANTHER BLACK ME. (NH-B08M)
4	WINE RED YELLOW	FORCE SILVER ME	MAT BLACK	MAT BLACK (NH-105)
5	WHITE -2	WHITE -2	CANDY BLAZING RED	CANDY BLAZING RED (R-195C)
7	YELLOW GREEN ME.	FORCE SILVER ME	PEARL HARVEST GREEN	PEARL HARVEST GREEN (GY-136P)
8	BLACK-NH-1	BLACK-NH-1	TRANSPARENT	SPORTS RED (R-321)
9	DARK GREY	BLACK-NH-1	TRANSPARENT	PEARL FADELESS WHITE (NH-341P)

F-27 : STRIPE/ MARKS



F-27 : STRIPE/ MARKS

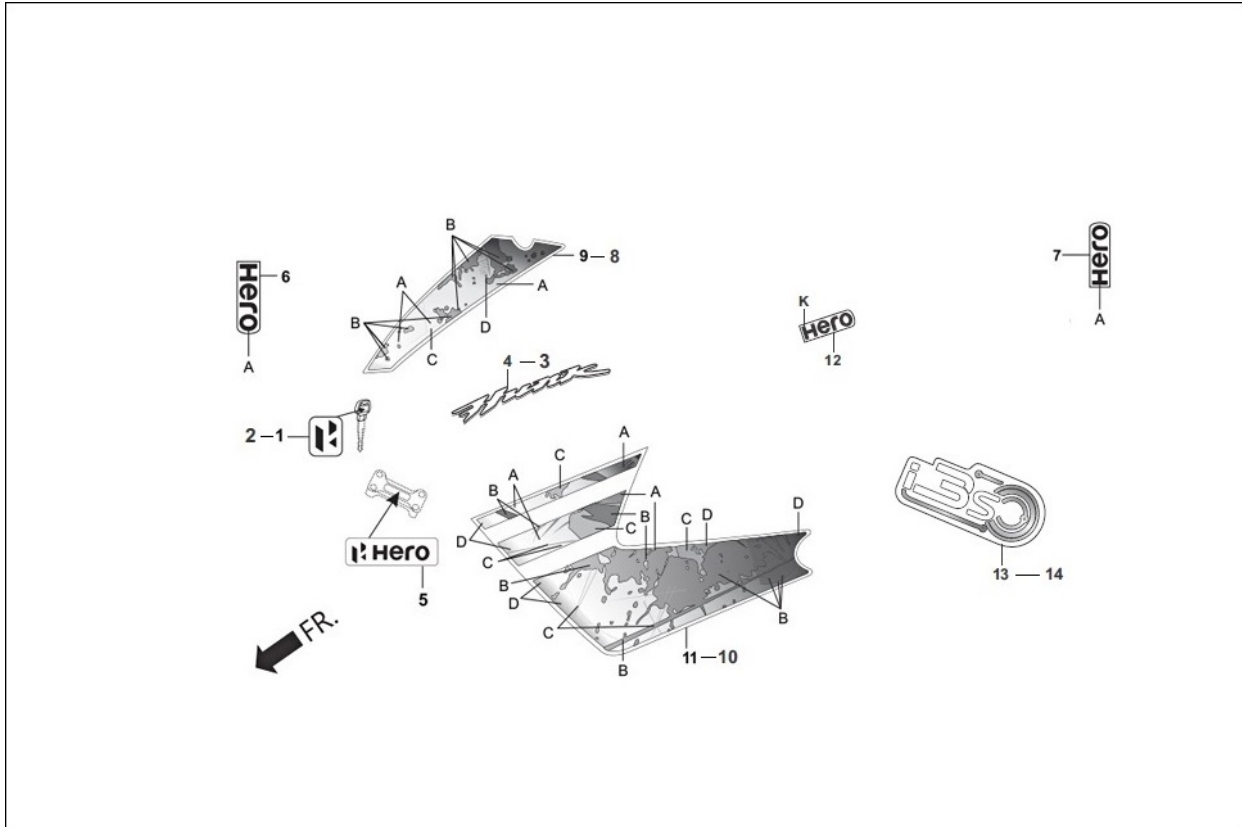
Group Number: F-27 **Model ::** Hunk (Feb, 2017)

Ref No.	Part Number	Description	Req.
13	86833-AAK-600	MARK I3S RIGHT	1
	86833-AAK-600	MARK I3S RIGHT	1

SPECIFIED COLOUR CHART FOR MARK LEFT RR. COWL

SPECIFIED COLOUR TYPE	A	D	E	MAIN BODY COLOUR
1	RED-1	FORCE SILVER ME	PANTHER BLACK ME.	PANTHER BLACK ME. (NH-B08M)
4	WINE RED YELLOW	FORCE SILVER ME	MAT BLACK	MAT BLACK (NH-105)
5	WHITE -2	WHITE -2	CANDY BLAZING RED	CANDY BLAZING RED (R-195C)
7	YELLOW GREEN ME.	FORCE SILVER ME	PEARL HARVEST GREEN	PEARL HARVEST GREEN (GY-136P)
8	BLACK-NH-1	BLACK-NH-1	TRANSPARENT	SPORTS RED (R-321)
9	DARK GREY	BLACK-NH-1	TRANSPARENT	PEARL FADELESS WHITE (NH-341P)

F-27 : STRIPE/ MARKS

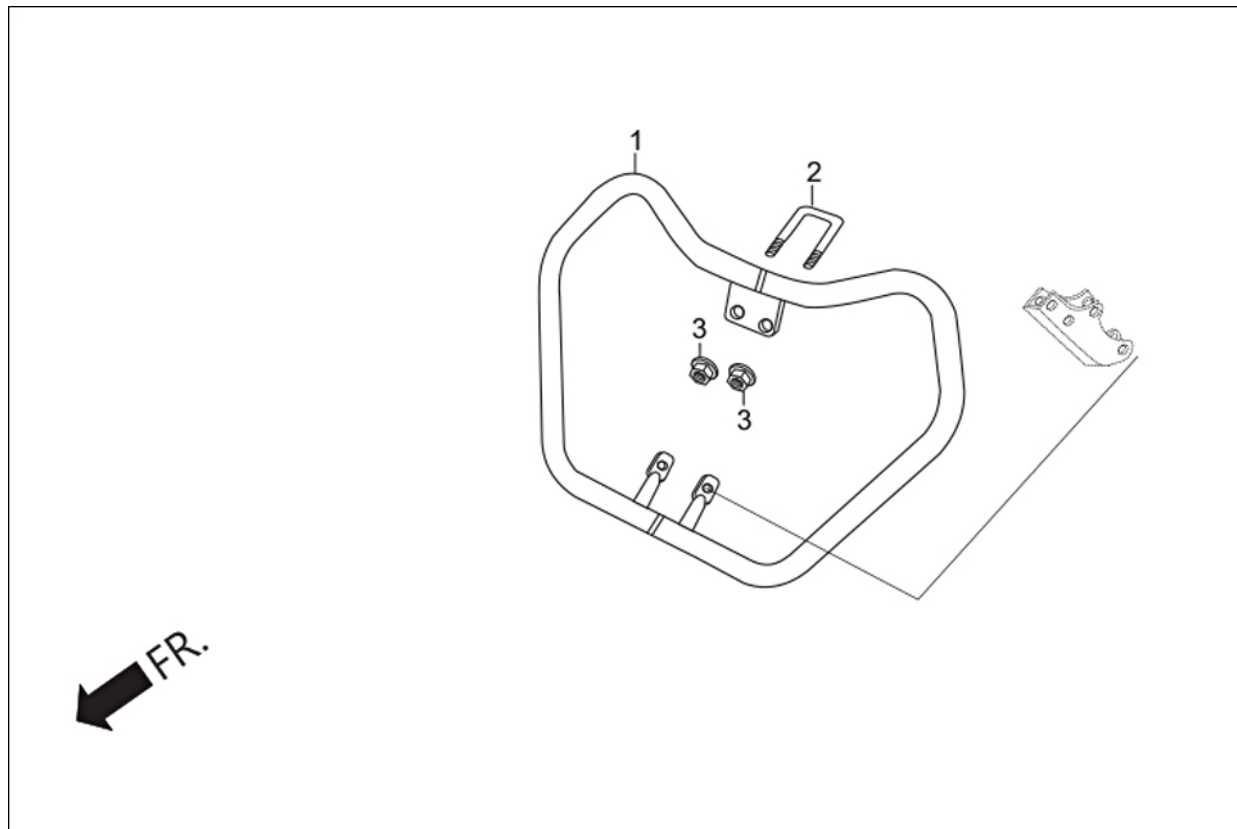


F-27 : STRIPE/ MARKS

Group Number: F-27 **Model ::** Hunk (Feb, 2017)

Ref No.	Part Number	Description	Req.
14	86834-AAK-600	MARK I3S LEFT	1
	86834-AAK-600	MARK I3S LEFT	1

F-28 : GUARD FRONT (OPTIONAL)

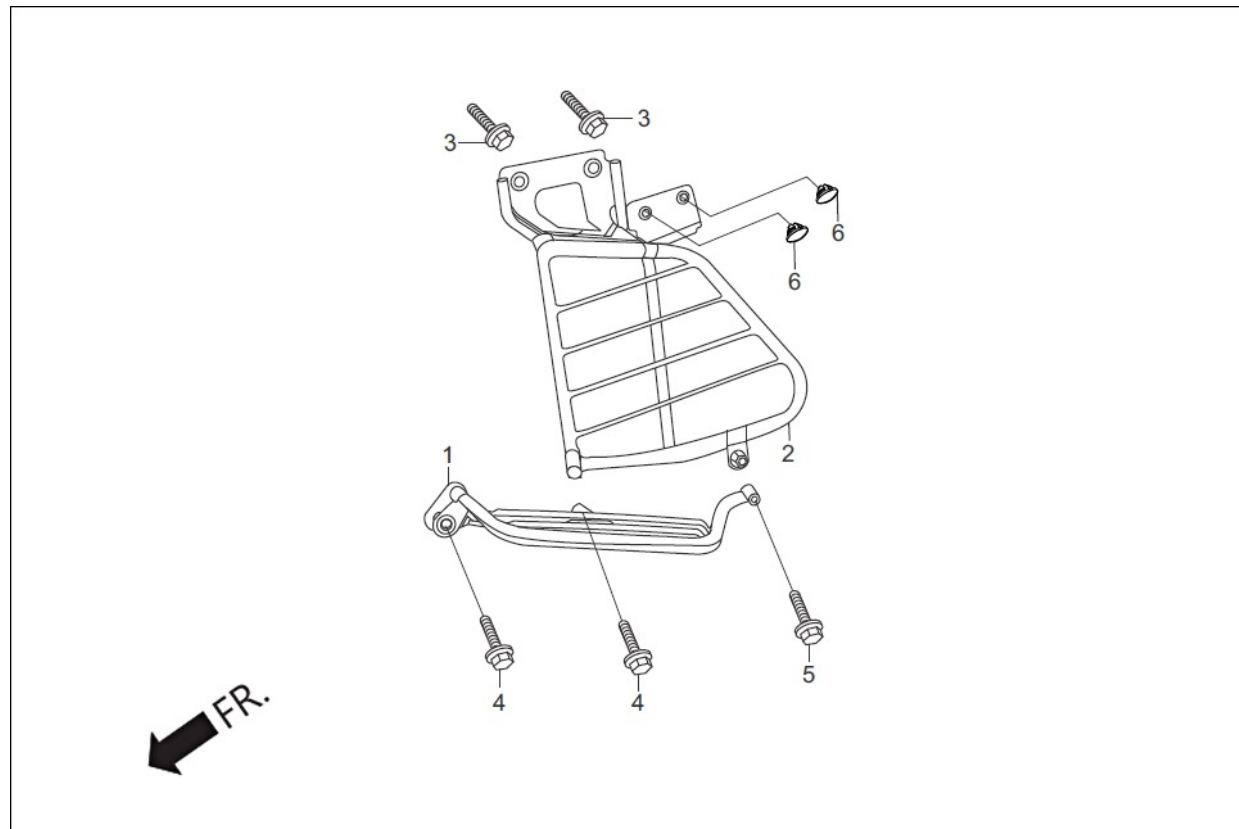


F-28 : GUARD FRONT (OPTIONAL)

Group Number: F-28 **Model ::** Hunk (Feb, 2017)

Ref No.	Part Number	Description	Req.
1	50803-KVE-900	GUARD, FRONT	1
	50803-KVE-900	GUARD, FRONT	1
2	50805-KVE-900	U-CLAMP	1
	50805-KVE-900	U-CLAMP	1
3	94050-08070	NUT, FLANGE, 8MM	2

F-29 : GUARD SARI (OPTIONAL)



F-29 : GUARD SARI (OPTIONAL)

Group Number: F-29 Model :: Hunk (Feb, 2017)

Ref No.	Part Number	Description	Req.
1	51102-AAK-100	STEP, PILLION	1
2	51103-KVN-950	GUARD, SARI	1
3	95701-08016-07	BOLT FLANGE, 8 X 16	2
	95701-08016-07	BOLT FLANGE, 8 X 16	2
4	95701-08030-00	BOLT,FLANGE, 8 X 30	2
5	95701-08035-00	BOLT, FLANGE, 8 X 35	1
	95701-08035-00	BOLT, FLANGE, 8 X 35	1
6	90851-AAE-H60	PLUG USELESS HOLE	2
	90851-AAE-H60	PLUG USELESS HOLE	2

F-30 : CAUTION LABEL

Group Number: F-30 **Model ::** Hunk (Feb, 2017)

Ref No.	Part Number	Description	Req.
1	87505-AAR-H70	LABEL TYRE	1
2	87522-MAB-600	LABEL, VISOR CAUTION	1
3	87560-AAB-H00	LABEL DRIVE	1
4	87507-MCW-D20	LABLE, DRIVE CHAIN	1
5	87509-AAP-000	LABEL AIR/C ELEMENT NOTICE	1

PARTS INDEX

PART NO	BLOCK	PART NO	BLOCK
3310B-AAK-201	F-1	12209-GB4-685	E-2
3310B-AAK-201	F-1	12210-KSP-910	E-1A
3331A-AAK-201	F-22	12210-KSP-910	E-1A
3331B-AAK-201	F-22	12212-KRM-840	E-1A
3331C-AAK-201	F-22	12212-KRM-840	E-1A
3331D-AAK-201	F-22	12213-KSP-910	E-1A
3340B-AAK-201	F-22	12251-KRM-B41	E-1A
3340B-AAK-201	F-22	12251-KRM-B41	E-1A
3345B-AAK-201	F-22	12311-AAM-100	E-1
3345B-AAK-201	F-22	12311-AAM-100	E-1
3360B-AAK-201	F-22	12391-KRM-840	E-1
3360B-AAK-201	F-22	12391-KRM-840	E-1
3365B-AAK-201	F-22	12396-KRM-840	E-1
3365B-AAK-201	F-22	12396-KRM-840	E-1
3372B-AAG-30099	F-23	12397-KSP-910	E-1
3372B-AAG-30099	F-23	12397-KSP-910	E-1
5313A-AAK-H70	F-4	13000-AAB-100	E-9
5313A-AAK-H70	F-4	13000-AAB-100	E-9
06435-KRY-971	F-10B-DISC	13011-KRM-305	E-9
06435-KRY-971	F-10B-DISC	13011-KRM-305	E-9
06451-KCC-841	F-8	13021-KRM-305	E-9
06451-KCC-841	F-8	13021-KRM-305	E-9
06451-MA7-405	F-10B-DISC	13031-KRM-305	E-9
06451-MA7-405	F-10B-DISC	13031-KRM-305	E-9
06455-KCC-841	F-8	13041-KRM-305	E-9
06455-KCC-841	F-8	13041-KRM-305	E-9
7720B-KVN-900	F-12	13051-KRM-305	E-9
11100-KVE-900	E-8	13051-KRM-305	E-9
11100-KVE-900	E-8	13101-AAB-100	E-9

11108-KTN-900	E-8	13101-AAB-100	E-9
11108-KTN-900	E-8	13102-AAB-305	E-9
11200-KVE-900	E-8	13102-AAB-305	E-9
11200-KVE-900	E-8	13103-AAB-305	E-9
11215-KSP-910	E-8	13103-AAB-305	E-9
11215-KSP-910	E-8	13104-AAB-305	E-9
11216-KRM-840	E-8	13104-AAB-305	E-9
11216-KRM-840	E-8	13105-AAB-305	E-9
11217-KRM-840	E-8	13105-AAB-305	E-9
11217-KRM-840	E-8	13111-KSP-910	E-9
11330-AAK-100	E-5	13111-KSP-910	E-9
11330-AAK-100	E-5	13201-KRM-840	E-9
11341-KVN-900	E-7C	13380-KRM-840	E-9
11341-KVN-900	E-7C	13412-KSP-910	E-9
11360-AAK-100	E-7C	13412-KSP-910	E-9
11360-AAK-100	E-7C	14100-AAB-100	E-2
11365-KSP-910	E-7C	14100-AAB-100	E-2
11365-KSP-910	E-7C	14311-KRM-840	E-9
11393-KWK-900	E-5	14311-KRM-840	E-9
11393-KWK-900	E-5	14321-KRM-840	E-4
11395-KWK-900	E-7C	14321-KRM-840	E-4
11395-KWK-900	E-7C	14401-KCW-851	E-4
12100-KVE-900	E-3	14401-KCW-851	E-4
12100-KVE-900	E-3	14430-KSP-910	E-2
12191-KWK-900	E-3	14430-KSP-910	E-2
12191-KWK-900	E-3	14451-KRM-840	E-2
12195-KVE-900	E-1A	14451-KRM-840	E-2
12195-KVE-900	E-1A	14510-KVE-900	E-4
12195-KVE-900	E-3	14510-KVE-900	E-4
12195-KVE-900	E-3	14515-KRM-840	E-4

12200-AAB-700	E-1A	14515-KRM-840	E-4
12200-AAB-700	E-1A	14520-AAB-A0099	E-4
12204-KRM-305	E-1A	14520-AAB-A0099	E-4
12205-KSP-305	E-1A	14560-KSP-910	E-4
12209-GB4-685	E-2	14560-KSP-910	E-4

PART NO	BLOCK	PART NO	BLOCK
14610-KSP-910	E-4	16155-AAB-102	E-13
14610-KSP-910	E-4	16163-AAB-102	E-13
14711-KSP-910	E-2	16165-AAB-102	E-13
14711-KSP-910	E-2	16173-001-000	F-13
14721-KVE-900	E-2	16199-KVE-930	F-15
14721-KVE-900	E-2	16199-KVE-930	F-15
14751-AAB-100	E-2	16210-AAB-701	E-1A
14751-AAB-100	E-2	16210-AAB-701	E-1A
14761-AAB-100	E-2	16217-KSP-910	E-1A
14761-AAB-100	E-2	16217-KSP-910	E-1A
14771-KSP-910	E-2	16222-KSP-910	E-1A
14771-KSP-910	E-2	16222-KSP-910	E-1A
14777-KSP-910	E-2	16950-AAK-200099	F-13
14777-KSP-910	E-2	16952-KVN-900	F-13
14781-MA6-000	E-2	16952-KVN-900	F-13
14781-MA6-000	E-2	16953-GT4-305	F-13
15100-KRM-840	E-8A	16955-AAK-200	F-13
15100-KRM-840	E-8A	16959-HB3-000	F-13
15130-KRM-840	E-8A	16967-MA2-770	F-13
15130-KRM-840	E-8A	17208-KVE-900	F-15
15331-KRM-840	E-8A	17208-KVE-900	F-15
15332-KRM-840	E-8A	17211-AAB-100	F-15
15421-KTN-900	E-8A	17211-AAB-100	F-15
15421-KTN-900	E-8A	17213-KRY-900	F-15
15430-KSP-910	E-8A	17213-KRY-900	F-15
15430-KSP-910	E-8A	17214-KRY-900	F-15
15436-KRM-840	E-8A	17214-KRY-900	F-15
15436-KRM-840	E-8A	17215-KTN-700	F-15
15441-KCS-650	E-8A	17215-KTN-700	F-15

15441-KCS-650	E-8A	17216-KVN-900	F-15
15446-107-000	E-8A	17216-KVN-900	F-15
15446-107-000	E-8A	17219-KVE-900	F-15
15459-KWK-900	E-8A	17219-KVE-900	F-15
15459-KWK-900	E-8A	17222-KVE-900	F-15
15650-KVN-970	E-5	17222-KVE-900	F-15
15650-KVN-970	E-5	17225-KVN-900	F-15
15772-KTN-900	F-15	17225-KVN-900	F-15
15772-KTN-900	F-25	17232-KVN-970	F-24A
16010-AAB-102	E-13	17232-KVN-970	F-24A
16012-AAB-801	E-13	17234-KS4-770	F-15
16013-AAB-102	E-13	17234-KS4-770	F-15
16013-AAB-102	E-13	17234-KVN-900	F-15
16015-AAB-102	E-13	17234-KVN-900	F-15
16016-AAB-102	E-13	17235-KVE-900	F-15
16027-AAB-102	E-13	17235-KVE-900	F-15
16028-AAB-102	E-13	17245-KVN-900	F-15
16031-AAB-102	E-13	17245-KVN-900	F-15
16032-AAB-102	E-13	17250-KVN-970H	F-24A
16033-AAB-102	E-13	17250-KVN-970H	F-24A
16034-AAB-102	E-13	17311-KRC-910	F-15
16035-AAB-102	E-13	17311-KRC-910	F-15
16036-AAB-102	E-13	17369-AAM-100	F-15
16037-AAB-102	E-13	17371-KTN-700	F-15
16046-AAB-102	E-13	17371-KTN-700	F-15
16050-AAB-102	E-13	17509-KVN-900	F-13
16075-AAB-102	E-13	17509-KVN-900	F-13
16100-AAB-801	E-13	17510-KVN-900ZE	F-13
16100-AAB-801	E-13	17510-AAK-100U	F-13
16107-AAB-102	E-13	17510-AAK-100U	F-13

16111-AAB-102	E-13	17510-KVN-900W	F-13
16119-AAB-102	E-13	17510-KVN-970U	F-13
16119-AAB-102	E-13	17510-KVN-900ZD	F-13
16150-KTN-700H	F-3	17510-AAK-H70Y	F-13
16150-KTN-700H	F-3	17525-KVE-900	F-13

PART NO	BLOCK	PART NO	BLOCK
17525-KVE-900	F-13	22810-KRM-B00	E-5
17529-KVN-900	F-13	22810-KRM-B00	E-5
17529-KVN-900	F-13	22815-428-000	E-5
17611-KFN-850	F-13	22815-428-000	E-5
17611-KFN-850	F-13	22821-KRM-840	E-5
17613-MV4-000	F-13	22821-KRM-840	E-5
17613-MV4-000	F-13	22870-KVN-900	F-3
17620-AAK-H01	F-13	22870-KVN-900	F-3
17620-AAK-H01	F-13	22871-KTN-700	F-3
17646-MN8-700	F-13	23121-KVE-860	E-9
17646-MN8-700	F-13	23121-KVE-860	E-9
17681-KVN-900	F-13	23210-KVN-900	E-10
17681-KVN-900	F-13	23210-KVN-900	E-10
17910-KVN-900	F-3	23220-KTN-900	E-10
17910-KVN-900	F-3	23220-KTN-900	E-10
17950-AAK-100	F-3	23421-KVN-900	E-10
17950-AAK-100	F-3	23421-KVN-900	E-10
18291-KRY-930	F-16	23427-KRM-840	E-10
18291-KRY-930	F-16	23427-KRM-840	E-10
18293-KPK-900	F-16	23427-KRM-840	E-11
18293-KPK-900	F-16	23427-KRM-840	E-11
18300-AAK-201	F-16	23431-KVN-900	E-10
18300-AAK-201	F-16	23431-KVN-900	E-10
18311-KVN-970	F-16	23432-KRM-840	E-10
18311-KVN-970	F-16	23432-KRM-840	E-10
18317-KVN-900	F-16	23441-KVN-900	E-10
18317-KVN-900	F-16	23441-KVN-900	E-10
18345-MBT-610	F-16	23451-KVN-900	E-10
18345-MBT-610	F-16	23451-KVN-900	E-10

18421-438-670	F-16	23461-KVN-900	E-10
18421-438-670	F-16	23461-KVN-900	E-10
18442-KRC-900	F-16	23471-KVN-900	E-10
18442-KRC-900	F-16	23471-KVN-900	E-10
18651-AAM-100	F-15	23472-KSP-910	E-10
18651-AAM-100	F-15	23472-KSP-910	E-10
19052-KV0-000	F-1A	23481-KVN-900	E-10
19052-KV0-000	F-1A	23481-KVN-900	E-10
19052-KV0-000	F-12	23491-KVN-900	E-10
19052-KV0-000	F-12	23491-KVN-900	E-10
19052-KV0-000	F-14	23492-KSP-910	E-10
19052-KV0-000	F-14	23492-KSP-910	E-10
19509-GE2-003	F-15	23501-KVN-900	E-10
19902-865-780	F-25	23501-KVN-900	E-10
19902-865-780	F-25	23801-KCT-690	E-10
22100-KTN-900	E-6	23801-KCT-690	E-10
22100-KTN-900	E-6	23811-KR3-600	E-10
22115-KSP-910	E-6	23811-KR3-600	E-10
22115-KSP-910	E-6	24211-KRM-840	E-12
22120-KRM-840	E-6	24211-KRM-840	E-12
22120-KRM-840	E-6	24212-KRM-840	E-12
22201-KPM-850	E-6	24212-KRM-840	E-12
22201-KPM-850	E-6	24241-KRM-840	E-12
22201-MR8-000	E-6	24241-KRM-840	E-12
22201-MR8-000	E-6	24242-KRM-840	E-12
22321-KPS-900	E-6	24242-KRM-840	E-12
22321-KPS-900	E-6	24301-KSP-910	E-12
22355-KRM-840	E-6	24301-KSP-910	E-12
22355-KRM-840	E-6	24410-KSP-860	E-12
22361-KPK-900	E-6	24410-KSP-860	E-12

22361-KPK-900	E-6	24430-KTN-900	E-12
22366-KSP-910	E-6	24430-KTN-900	E-12
22366-KSP-910	E-6	24436-KSP-910	E-12
22401-KRM-840	E-6	24436-KSP-910	E-12
22401-KRM-840	E-6	24610-KSP-910	E-12

PART NO	BLOCK	PART NO	BLOCK
24610-KSP-910	E-12	28311-KC5-000	F-18-DISC
24627-KRM-840	E-12	28311-KC5-000	F-18-DRUM
24627-KRM-840	E-12	28311-KC5-000	F-18-DRUM
24651-KSP-910	E-12	28333-KK0-000	F-18-DISC
24651-KSP-910	E-12	28333-KK0-000	F-18-DRUM
24652-KSP-910	E-12	30401-KVE-901	F-24
24652-KSP-910	E-12	30401-KVE-901	F-24
24700-KVE-900	F-18-DISC	30401-AAL-00099	F-24
24700-KVE-900	F-18-DISC	30410-AAB-101	F-24
24700-KVE-900	F-18-DRUM	30410-AAB-101	F-24
24700-KVE-900	F-18-DRUM	30460-AAM-000	F-24
24701-KVE-900	F-18-DISC	30460-AAM-000	F-24
24701-KVE-900	F-18-DRUM	30500-AAB-H61	F-24
24711-KVE-900	F-18-DISC	30500-AAB-H61	F-24
24711-KVE-900	F-18-DRUM	30700-KTC-A21	F-24
24720-KFN-850	F-18-DISC	30700-KTC-A21	F-24
24720-KFN-850	F-18-DRUM	31100-KSP-B01	E-7
24721-GS3-000	F-18-DISC	31100-KSP-B01	E-7A
24721-GS3-000	F-18-DISC	31110-KSP-B01	E-7
24721-GS3-000	F-18-DRUM	31110-KSP-B01	E-7
24721-GS3-000	F-18-DRUM	31110-KSP-B01	E-7A
24781-KR3-770	F-18-DISC	31110-KSP-B01	E-7A
24781-KR3-770	F-18-DISC	31120-KSP-B01	E-7
24781-KR3-770	F-18-DRUM	31120-KSP-B01	E-7
24781-KR3-770	F-18-DRUM	31120-KSP-B01	E-7A
28110-KTN-900	E-7A	31120-KSP-B01	E-7A
28110-KTN-900	E-7A	31200-KSP-901	E-7B
28120-KTR-A00A	E-7A	31200-KSP-901	E-7B
28120-KTR-A00A	E-7A	31201-KPT-A01	E-7B

28131-KTN-900	E-7A	31204-KG8-004	E-7B
28131-KTN-900	E-7A	31205-KTC-921	E-7B
28132-KN6-930	E-7A	31206-KPH-881	E-7B
28132-KN6-930	E-7A	31207-MBE-008	E-7B
28133-KRM-850	E-7A	31500-KRP-801	F-24A
28133-KRM-850	E-7A	31500-KRP-801	F-24A
28211-KRM-840	E-11	31600-KWS-901	F-24
28211-KRM-840	E-11	31600-KWS-901	F-24
28215-KRM-840	E-11	31916-KRM-84099	E-1A
28215-KRM-840	E-11	31916-KRM-84099	E-1A
28221-KTN-900	E-11	32100-AAK-600	F-24
28221-KTN-900	E-11	32100-AAK-600	F-24
28223-KRM-840	E-11	32101-KVN-970	F-24
28223-KRM-840	E-11	32101-KVN-970	F-24
28231-KRM-840	E-11	32108-344-820	F-24
28231-KRM-840	E-11	32108-344-820	F-24
28241-AAK-H00	F-18-DISC	32111-KSP-910	E-7
28241-AAK-H00	F-18-DRUM	32111-KSP-910	E-7
28251-KTN-900	E-11	32111-KSP-910	E-7A
28251-KTN-900	E-11	32111-KSP-910	E-7A
28261-KRM-840	E-11	32161-404-000	F-3
28261-KRM-840	E-11	32401-KVN-970	F-24
28282-KRM-840	E-11	32401-KVN-970	F-24
28282-KRM-840	E-11	32406-KVN-970	F-24
28293-333-000	F-18-DISC	32410-KVN-970	F-24
28293-333-000	F-18-DRUM	32410-KVN-970	F-24
28300-AAK-H00	F-18-DISC	32411-253-000	F-24
28300-AAK-H00	F-18-DISC	32411-253-000	F-24
28300-AAK-H00	F-18-DRUM	32413-KRY-970	F-24
28300-AAK-H00	F-18-DRUM	32414-KVN-970	F-24

28307-AAK-H60	F-18-DISC	32414-KVN-970	F-24
28307-AAK-H60	F-18-DISC	32418-KRY-970	F-24
28307-AAK-H60	F-18-DRUM	32601-KVN-970	F-24
28307-AAK-H60	F-18-DRUM	32601-KVN-970	F-24
28311-KC5-000	F-18-DISC	32602-KVN-900	F-24

PART NO	BLOCK	PART NO	BLOCK
32602-KVN-900	F-24	35357-KVN-970	F-18-DRUM
33101-KVN-901	F-1	35400-KRY-970	F-24
33108-KRY-900	F-1	35400-KRY-970	F-24
33110-AAK-201	F-1	35505-KVN-971	F-2
33112-KTN-921	F-1	35751-KPH-900	E-12
33128-GBL-000	F-1	35751-KPH-900	E-12
33150-KVN-901	F-1	35752-KRM-840	E-12
33307-KVN-901	F-22	35752-KRM-840	E-12
33401-AAB-401	F-22	35759-KVN-900	E-8
33402-AAB-401	F-22	35759-KVN-900	E-8
33451-AAB-401	F-22	35850-AAM-H01	F-24
33452-AAB-401	F-22	35850-AAM-H01	F-24
33605-KVN-901	F-22	35850-KR3-870	F-24
33606-KVN-901	F-22	35850-KR3-870	F-24
33619-459-840	F-16	35856-KBG-007	F-24
33619-459-840	F-16	35856-KBG-007	F-24
33701-AAK-201	F-23	37100-AAK-601	F-2
33701-AAK-201	F-23	37100-AAK-601	F-2
33714-KL3-620	F-25	37101-KVN-971	F-2
33714-KL3-620	F-25	37213-KVN-971	F-2
33721-KVE-900	F-23	37214-KVN-971	F-2
33722-KVE-900	F-23	37215-KVN-971	F-2
33723-KVE-900H	F-23	37216-KVN-971	F-2
33729-MCZ-003	F-23	37217-KVN-971	F-2
33740-AAB-000	F-6	37300-AAK-601	F-2
33740-AAB-000	F-6	37312-KVN-971	F-2
33741-KST-920	F-21	37400-AAK-100	F-2
33741-KST-920	F-21	37500-AAK-601	F-2
34351-AAB-401	F-23	37800-KVN-901	F-13

34351-AAB-401	F-23	37800-KVN-901	F-13
34901-KSP-910	F-1	37890-AAB-102	E-13
34901-KSP-910	F-1	37890-AAB-102	E-13
34901-KSP-910	F-1	38110-AAK-201	F-25
34901-KSP-910	F-1	38110-AAK-201	F-25
34908-AAB-401	F-22	38117-KFE-701	F-25
34908-AAB-401	F-22	38117-KFE-701	F-25
34920-AAK-201	F-1	38201-KVN-910	F-24
34920-AAK-201	F-1	38201-KVN-910	F-24
35010-AAK-201	F-4	38301-AAE-20099	F-24
35010-AAK-201	F-4	38306-GE7-000	F-24
35100-AAK-201	F-4	38306-GE7-000	F-24
35113-KZJ-H00	F-4	38502-KSP-910	F-24
35113-KZJ-H00	F-27	38502-KSP-910	F-24
35114-KZJ-H00	F-4	38506-KSP-910	F-24
35114-KZJ-H00	F-27	38506-KSP-910	F-24
35121-KZJ-H00	F-4	40510-KVN-901	F-19-DISC
35121-KZJ-H00	F-4	40510-KVN-901	F-19-DISC
35122-KZJ-H00	F-4	40510-KVN-901	F-19-DRUM
35122-KZJ-H00	F-4	40510-KVN-901	F-19-DRUM
35150-AAM-011	F-3	40520-KVN-901	F-19-DISC
35150-AAM-011	F-3	40520-KVN-901	F-19-DISC
35200-AAK-201	F-3	40520-KVN-901	F-19-DRUM
35200-AAK-201	F-3	40520-KVN-901	F-19-DRUM
35330-413-003	F-3	40530-KSP-900	F-19-DISC
35330-413-003	F-3	40530-KSP-900	F-19-DISC
35340-KCC-841	F-3A	40530-KSP-900	F-19-DRUM
35340-KCC-841	F-3A	40530-KSP-900	F-19-DRUM
35350-KFN-850	F-18-DISC	40531-KCS-690	F-19-DISC
35350-KFN-850	F-18-DISC	40531-KCS-690	F-19-DISC

35350-KFN-850	F-18-DRUM	40531-KCS-690	F-19-DRUM
35350-KFN-850	F-18-DRUM	40531-KCS-690	F-19-DRUM
35357-KVN-970	F-18-DISC	40543-KRY-900	F-19-DISC
35357-KVN-970	F-18-DISC	40543-KRY-900	F-19-DISC
35357-KVN-970	F-18-DRUM	40543-KRY-900	F-19-DRUM

PART NO	BLOCK	PART NO	BLOCK
40543-KRY-900	F-19-DRUM	43115-KVN-971	F-10B-DISC
40544-KRY-900	F-19-DISC	43145-149-000	F-10
40544-KRY-900	F-19-DISC	43145-149-000	F-10
40544-KRY-900	F-19-DRUM	43150-KRY-972	F-10B-DISC
40544-KRY-900	F-19-DRUM	43150-KRY-972	F-10B-DISC
40545-001-000	F-19-DISC	43155-KRY-970	F-10A-DISC
40545-001-000	F-19-DISC	43155-KRY-970	F-10A-DISC
40545-001-000	F-19-DRUM	43190-KRY-971	F-10B-DISC
40545-001-000	F-19-DRUM	43215-KGH-901	F-10B-DISC
40546-KVE-901	F-19-DISC	43216-MAK-003	F-8
40546-KVE-901	F-19-DISC	43251-KVN-971	F-11-DISC
40546-KVE-901	F-19-DRUM	43251-KVN-971	F-11-DISC
40546-KVE-901	F-19-DRUM	43310-AAK-100	F-10A-DISC
41201-KVN-970	F-11-DISC	43310-AAK-100	F-10A-DISC
41201-KVN-970	F-11-DISC	43352-568-003L	F-10B-DISC
41201-KVE-900	F-11-DRUM	43353-461-771L	F-10B-DISC
41241-KSP-900	F-11-DISC	43410-KRY-930	F-10
41241-KSP-900	F-11-DISC	43410-KRY-930	F-10
41241-KSP-900	F-11-DRUM	43431-AAK-100	F-19-DISC
41241-KSP-900	F-11-DRUM	43431-AAK-100	F-19-DISC
42301-KVE-900	F-11-DISC	43431-KTR-900	F-19-DRUM
42301-KVE-900	F-11-DISC	43434-ME1-670	F-10
42301-KVE-900	F-11-DRUM	43434-ME1-670	F-10
42301-KVE-900	F-11-DRUM	43451-KVE-901	F-18-DRUM
42303-KRY-931	F-11-DISC	43455-KSP-900	F-18-DRUM
42303-KRY-931	F-11-DISC	43456-KSP-900	F-18-DRUM
42303-KRY-931	F-11-DRUM	43459-KSP-900	F-18-DRUM
42303-KRY-931	F-11-DRUM	43503-MEE-006	F-10A-DISC
42311-KVE-900	F-11-DISC	43504-MB2-006	F-10A-DISC

42311-KVE-900	F-11-DISC	43510-KRY-971	F-10A-DISC
42311-KVE-900	F-11-DRUM	43510-KRY-971	F-10A-DISC
42311-KVE-900	F-11-DRUM	43511-KW7-881	F-10A-DISC
42313-240-000	F-10	43511-KW7-881	F-10A-DISC
42313-KRY-970	F-11-DISC	43512-KVN-971	F-10A-DISC
42313-KRY-970	F-11-DISC	43512-KVN-971	F-10A-DISC
42601-AAR-H71	F-11-DISC	43514-KS6-701	F-10A-DISC
42601-AAR-H71	F-11-DISC	43514-KS6-701	F-10A-DISC
42601-AAK-H81	F-11-DRUM	43520-MJ6-315	F-10A-DISC
42611-KVN-970	F-11-DISC	43520-MJ6-315	F-10A-DISC
42611-KVN-970	F-11-DISC	43530-MV9-006	F-10A-DISC
42611-KRY-930	F-11-DRUM	44301-KSP-900	F-9
42611-KRY-930	F-11-DRUM	44301-KSP-900	F-9
42620-KSP-900	F-11-DISC	44311-KRC-900	F-9
42620-KSP-900	F-11-DISC	44311-KRC-900	F-9
42620-KSP-900	F-11-DRUM	44601-AAK-H71	F-9
42620-KSP-900	F-11-DRUM	44601-AAK-H71	F-9
42704-MB0-000	F-9	44620-400-000	F-9
42704-MB0-000	F-9	44620-400-000	F-9
42705-MB0-000	F-9	44680-KSP-B00	F-9
42705-MB0-000	F-9	44680-KSP-B00	F-9
42706-MB0-000	F-9	44711-KRY-971	F-9
42706-MB0-000	F-9	44711-KRY-971	F-9
42711-KRY-971	F-11-DISC	44800-KVN-971	F-9
42711-KRY-971	F-11-DISC	44800-KVN-971	F-9
42711-KRY-971	F-11-DRUM	44818-KSP-B00	F-9
42711-KRY-971	F-11-DRUM	44818-KSP-B00	F-9
42753-KWF-90099	F-9	45107-KCC-841	F-8
42753-KWF-90099	F-11-DISC	45108-KCC-841	F-8
42753-KWF-90099	F-11-DRUM	45108-KCC-841	F-10B-DISC

43100-KRY-930	F-10	45111-MAJ-G41	F-10B-DISC
43100-KRY-930	F-10	45125-AAH-F0099	F-10
43107-MA7-006	F-10B-DISC	45126-KVE-900	F-3A
43107-MA7-006	F-10B-DISC	45126-KVE-900	F-3A
43115-KVN-971	F-10B-DISC	45131-GE2-006L	F-8

PART NO	BLOCK	PART NO	BLOCK
45131-GE2-006L	F-8	46515-KB9-000	F-18-DISC
45131-GZ0-006L	F-10B-DISC	46515-KB9-000	F-18-DISC
45132-KCC-841	F-8	46515-KVN-970	F-18-DISC
45132-166-016L	F-10B-DISC	46515-KVN-970	F-18-DISC
45133-KCC-841	F-8	46515-KB9-000	F-18-DRUM
45133-KCC-900	F-10	46515-KB9-000	F-18-DRUM
45133-KCC-900	F-10	46515-KVE-900	F-18-DRUM
45133-MA3-006L	F-10B-DISC	47117-196-000	F-21
45134-250-000	F-10	47117-196-000	F-21
45134-250-000	F-10	50100-AAK-600	F-25
45141-KTC-900	F-10	50100-AAK-600	F-25
45141-KTC-900	F-10	50186-KVN-900	F-21
45155-KTN-710	F-3A	50186-KVN-900	F-21
45155-KTN-710	F-3A	50192-KVN-900	F-23
45156-KVE-900	F-3A	50192-KVN-900	F-23
45156-KVE-900	F-3A	50200-AAK-100R	F-13
45164-KVN-970	F-9	50200-AAK-100U	F-13
45164-KVN-970	F-9	50200-AAK-100U	F-13
45203-MCC-006	F-10B-DISC	50200-AAK-100V	F-13
45216-166-006L	F-10B-DISC	50200-AAK-100X	F-13
45216-KPP-861	F-10B-DISC	50200-AAK-100Y	F-13
45220-KCC-841	F-8	50200-AAK-100Z	F-13
45250-KCC-841	F-8	50201-KVN-900	F-27
45250-KCC-841	F-8	50201-KVN-900	F-27
45251-KSP-861	F-9	50220-AAK-600	F-25
45251-KSP-861	F-9	50220-AAK-600	F-25
45290-KCC-841	F-8	50265-KVN-900	F-13
45290-KCC-841	F-8	50265-KVN-900	F-13
45352-KCC-841	F-8	50275-KVN-900H	F-13

45353-KCC-841	F-8	50275-KVN-900H	F-13
45504-KCC-841	F-3A	50296-KVE-900	F-25
45506-KCC-841	F-3A	50296-KVE-900	F-25
45510-KVN-901	F-3A	50300-AAK-100R	F-13
45510-KVN-901	F-3A	50300-AAK-100U	F-13
45513-KCC-841	F-3A	50300-AAK-100U	F-13
45513-GW0-911	F-10A-DISC	50300-AAK-100V	F-13
45513-GW0-911	F-10A-DISC	50300-AAK-100X	F-13
45515-KVN-901	F-3A	50300-AAK-100Y	F-13
45516-KCC-841	F-3A	50300-AAK-100Z	F-13
45517-166-000	F-3	50301-KTR-900	F-5
45517-166-000	F-3	50301-KTR-900	F-5
45517-KCC-841	F-3A	50301-KVN-900	F-27
45517-KCC-841	F-3A	50301-KVN-900	F-27
45518-KCC-841	F-3A	50328-KVN-900	F-25
45519-KCC-841	F-3A	50328-KVN-900	F-25
45520-KCC-841	F-3A	50351-KVN-900	F-25
45520-GW0-911	F-10A-DISC	50351-KVN-900	F-25
45520-GW0-911	F-10A-DISC	50354-428-000	F-12
45521-KCC-841	F-3A	50354-428-000	F-12
45521-GW0-911	F-10A-DISC	50383-KRC-900	F-24A
45521-GW0-911	F-10A-DISC	50383-KRC-900	F-24A
45522-KCC-841	F-3A	50400-KVN-870	F-25
45525-KCC-841	F-3A	50400-KVN-870	F-25
45526-KCC-841	F-3A	50451-GB6-920	F-1A
45530-KCC-841	F-3A	50451-GB6-920	F-1A
46182-MEL-D21	F-10A-DISC	50500-KVE-930	F-18A
46500-KVN-970	F-18-DISC	50500-KVE-930	F-18A
46500-KVN-970	F-18-DISC	50505-KCC-900	F-25
46500-KVN-900	F-18-DRUM	50505-KCC-900	F-25

46504-KV6-702	F-10A-DISC	50507-AAB-400	F-18A
46514-KN5-670	F-18-DISC	50507-AAB-400	F-18A
46514-KN5-670	F-18-DISC	50508-AAB-400	F-18A
46514-KCC-900	F-18-DRUM	50508-AAB-400	F-18A
46514-KCC-900	F-18-DRUM	50509-AAB-400	F-18A

PART NO	BLOCK	PART NO	BLOCK
50509-AAB-400	F-18A	51410-KVN-901	F-7
50526-KCT-690	F-18A	51412-KSP-901	F-7
50526-KCT-690	F-18A	51412-KFN-851	F-7
50530-KVE-900	F-18A	51412-KFN-851	F-7
50530-KVE-900	F-18A	51420-AAB-000	F-7
50600-KVN-970	F-17-DISC	51432-KFN-851	F-7
50600-KVN-970	F-17-DISC	51437-KVN-901	F-7
50600-KVN-900Z	F-17-DRUM	51440-KVN-901	F-7
50603-KFN-850	F-17-DISC	51488-KTN-701	F-20
50603-KFN-850	F-17-DISC	51500-AAK-100	F-7
50603-KVE-900	F-17-DISC	51500-AAK-100	F-7
50603-KVE-900	F-17-DISC	51520-AAB-000	F-7
50603-KFN-850	F-17-DRUM	52101-KTN-700	F-19-DISC
50603-KFN-850	F-17-DRUM	52101-KTN-700	F-19-DISC
50603-KVE-900	F-17-DRUM	52101-KTN-700	F-19-DRUM
50603-KVE-900	F-17-DRUM	52101-KTN-700	F-19-DRUM
50618-KE8-000	F-17-DISC	52110-KVN-970	F-19-DISC
50618-KE8-000	F-17-DISC	52110-KVN-970	F-19-DISC
50618-KE8-000	F-17-DRUM	52110-KVN-900	F-19-DRUM
50618-KE8-000	F-17-DRUM	52143-KVE-900	F-19-DISC
50619-KFN-850	F-17-DISC	52143-KVE-900	F-19-DISC
50619-KFN-850	F-17-DISC	52143-KVE-900	F-19-DRUM
50619-KTN-700	F-17-DISC	52143-KVE-900	F-19-DRUM
50619-KTN-700	F-17-DISC	52144-KEJ-900	F-19-DISC
50619-KFN-850	F-17-DRUM	52144-KEJ-900	F-19-DISC
50619-KFN-850	F-17-DRUM	52144-KEJ-900	F-19-DRUM
50619-KTN-700	F-17-DRUM	52144-KEJ-900	F-19-DRUM
50619-KTN-700	F-17-DRUM	52170-KVN-900	F-19-DISC
50643-KCT-690	F-17-DISC	52170-KVN-900	F-19-DISC

50643-KCT-690	F-17-DISC	52170-KVN-900	F-19-DRUM
50643-KCT-690	F-17-DRUM	52170-KVN-900	F-19-DRUM
50643-KCT-690	F-17-DRUM	52400-AAK-100	F-20
50661-KVN-900	F-17-DISC	52400-AAK-100	F-20
50661-KVN-900	F-17-DISC	52486-KTN-701	F-20
50661-KVN-900	F-17-DRUM	52489-399-600	F-20
50661-KVN-900	F-17-DRUM	53100-KVE-930Z	F-4
50700-KVN-900Z	F-17-DISC	53105-KRC-900	F-4
50700-KVN-900Z	F-17-DISC	53105-KRC-900	F-4
50700-KVN-900Z	F-17-DRUM	53131-KVN-901H	F-4
50700-KVN-900Z	F-17-DRUM	53132-124-000	F-4
50715-KVN-900	F-17-DISC	53132-124-000	F-4
50715-KVN-900	F-17-DISC	53132-KZN-900	F-27
50715-KVN-900	F-17-DRUM	53132-KZN-900	F-27
50715-KVN-900	F-17-DRUM	53133-198-900	F-4
50717-KFN-850	F-17-DISC	53133-198-900	F-4
50717-KFN-850	F-17-DISC	53134-028-000	F-4
50717-KFN-850	F-17-DRUM	53134-028-000	F-4
50717-KFN-850	F-17-DRUM	53135-198-900	F-4
50718-KFN-850	F-17-DISC	53135-198-900	F-4
50718-KFN-850	F-17-DISC	53136-198-900	F-4
50718-KFN-850	F-17-DRUM	53136-198-900	F-4
50718-KFN-850	F-17-DRUM	53140-KFN-850	F-3
50720-AAB-H61	F-21A	53140-KFN-850	F-3
50803-KVE-900	F-28	53166-KFN-850	F-3
50803-KVE-900	F-28	53166-KFN-850	F-3
50805-KVE-900	F-28	53172-KRC-900	F-3
50805-KVE-900	F-28	53172-KRC-900	F-3
51102-AAK-100	F-29	53175-KSP-900	F-3A
51103-KVN-950	F-29	53175-KSP-900	F-3A

51104-AAK-200	F-25	53178-KFN-850	F-3
51104-AAK-200	F-25	53178-KFN-850	F-3
51400-AAK-100	F-7	53182-KFN-850	F-3
51400-AAK-100	F-7	53182-KFN-850	F-3
51401-KSP-901	F-7	53200-KTN-700	F-5

PART NO	BLOCK	PART NO	BLOCK
53200-KTN-700	F-5	64204-AAK-H70Y	F-1A
53209-GAH-000	F-1	64205-KVN-900ZEH	F-1A
53209-GAH-000	F-1	64205-AAK-100U	F-1A
53211-268-010	F-5	64205-AAK-100U	F-1A
53211-268-010	F-5	64205-KVN-900ZFH	F-1A
53212-200-000	F-5	64205-KVN-970ZD	F-1A
53212-200-000	F-5	64205-KVN-900ZDH	F-1A
53214-200-000	F-5	64205-AAK-H70Y	F-1A
53214-200-000	F-5	64206-KVN-970	F-1A
53215-KTR-900	F-5	64206-KVN-970	F-1A
53215-KTR-900	F-5	64312-KVN-970	F-1A
53216-KVN-970	F-5	64312-KVN-970	F-1A
53216-KVN-970	F-5	64313-KVN-900	F-1A
53216-KVN-970	F-9	64313-KVN-900	F-1A
53216-KVN-970	F-9	64316-KVN-900	F-1A
53221-KSP-900	F-5	64316-KVN-900	F-1A
53221-KSP-900	F-5	64720-KVN-900	F-13
53222-KRM-860	F-5	64720-KVN-900	F-13
53222-KRM-860	F-5	64820-KVN-900	F-13
53230-KTN-700	F-4	64820-KVN-900	F-13
53230-KTN-700	F-4	75582-KCW-870	F-12
61100-KVN-970ZA	F-6	75582-KCW-870	F-12
61100-AAK-100U	F-6	77156-KVN-970	F-12
61100-AAK-100U	F-6	77156-KVN-970	F-12
61100-KVN-970ZE	F-6	77160-KVN-970	F-12
61100-KVN-970ZD	F-6	77160-KVN-970	F-12
61100-KVN-970ZG	F-6	77200-KVN-900	F-12
61100-AAK-H70Y	F-6	77200-KVN-900	F-12
61102-KVN-900	F-6	77202-KCC-900	F-12

61102-KVN-900	F-6	77202-KCC-900	F-12
61103-KRY-900	F-6	77204-KCC-900	F-12
61103-KRY-900	F-6	77204-KCC-900	F-12
61105-KTC-900	F-6	77205-KVE-900	F-12
61105-KTC-900	F-6	77205-KVN-900	F-23
61200-KVN-970ZA	F-6	77205-KVN-900	F-23
61200-AAK-100U	F-6	77206-KFN-850	F-12
61200-AAK-100U	F-6	77228-GBG-850	F-12
61200-KVN-970ZE	F-6	77228-GBG-850	F-12
61200-KVN-970ZD	F-6	77229-GBG-850	F-12
61200-KVN-970ZG	F-6	77229-GBG-850	F-12
61200-AAK-H70Y	F-6	77231-KVN-900	F-12
61300-KVN-970ZAH	F-6	77231-KVN-900	F-12
61300-AAK-100U	F-6	77231-KVE-900	F-14
61300-AAK-100U	F-6	77231-KVE-900	F-14
61300-KVN-970ZE	F-6	77231-KVE-900	F-25
61300-KVN-970ZDH	F-6	77231-KVE-900	F-25
61300-KVN-970ZG	F-6	77234-KVN-900	F-12
61300-AAK-H70Y	F-6	77234-KVN-900	F-12
61312-KCT-690	F-1A	77235-KVN-900	F-23
61312-KCT-690	F-1A	77235-KVN-900	F-23
61330-KVN-900	F-1A	77238-AAK-100	F-27
61330-KVN-900	F-1A	77238-AAK-100	F-27
61340-KVN-900	F-1A	77239-AAL-H00	F-12
61340-KVN-900	F-1A	77244-KVN-900	F-12
64100-AAK-100	F-1A	77244-KVN-900	F-12
64100-AAK-100	F-1A	77246-KVN-900	F-1A
64101-AAK-100	F-27	77246-KVN-900	F-1A
64101-AAK-100	F-27	77247-KVN-900	F-1A
64204-KVN-900ZEH	F-1A	77247-KVN-900	F-1A

64204-AAK-100U	F-1A	77250-KVN-900	F-12
64204-AAK-100U	F-1A	77250-KVN-900	F-12
64204-KVN-900ZFH	F-1A	77260-KVE-900	F-12
64204-KVN-970ZD	F-1A	77260-KVE-900	F-12
64204-KVN-900ZDH	F-1A	77260-KVN-900H	F-12

PART NO	BLOCK	PART NO	BLOCK
77260-KVN-900H	F-12	84701-KVN-900	F-21
77280-AAK-100	F-12	84702-KCC-900	F-12
77280-AAK-100	F-12	84702-KCC-900	F-12
77315-AAK-H70ZA	F-12	86271-AAK-100R	F-27
77315-AAK-600U	F-12	86271-AAK-100U	F-27
77315-AAK-600U	F-12	86271-AAK-100U	F-27
77315-AAK-H70ZE	F-12	86271-AAK-100V	F-27
77315-AAK-H70ZDH	F-12	86271-AAK-100X	F-27
77315-AAK-H70ZGH	F-12	86271-AAK-100Y	F-27
77315-AAK-H70Y	F-12	86271-AAK-100Z	F-27
77325-AAK-H70ZA	F-12	86272-AAK-100R	F-27
77325-AAK-600U	F-12	86272-AAK-100U	F-27
77325-AAK-600U	F-12	86272-AAK-100U	F-27
77325-AAK-H70ZE	F-12	86272-AAK-100V	F-27
77325-AAK-H70ZDH	F-12	86272-AAK-100X	F-27
77325-AAK-H70ZGH	F-12	86272-AAK-100Y	F-27
77325-AAK-H70Y	F-12	86272-AAK-100Z	F-27
80100-KVN-900	F-21	86501-AAK-100R	F-27
80100-KVN-900	F-21	86501-AAK-100U	F-27
80101-443-000	F-2	86501-AAK-100U	F-27
80101-443-000	F-2	86501-AAK-100V	F-27
80101-KVN-900	F-13	86501-AAK-100X	F-27
80101-KVN-900	F-13	86501-AAK-100Y	F-27
80102-KVN-900	F-21	86501-AAK-100Z	F-27
80102-KVN-900	F-21	86502-AAK-100R	F-27
80111-KVN-900	F-21	86502-AAK-100U	F-27
80111-KVN-900	F-21	86502-AAK-100U	F-27
80112-KVN-900	F-21	86502-AAK-100V	F-27
80112-KVN-900	F-21	86502-AAK-100X	F-27

80201-KVN-900	F-23	86502-AAK-100Y	F-27
80201-KVN-900	F-23	86502-AAK-100Z	F-27
80202-KVE-900	F-23	86771-AAK-H70ZA	F-27
80203-KVE-900	F-23	86771-AAK-H70ZA	F-27
83407-KCC-902	F-24A	86771-AAK-H70ZB	F-27
83407-KCC-902	F-24A	86833-AAK-600	F-27
83520-AAK-600	F-14	86833-AAK-600	F-27
83520-AAK-600	F-14	86834-AAK-600	F-27
83545-KCJ-690	F-12	86834-AAK-600	F-27
83545-KCJ-690	F-12	87505-AAR-H70	F-30
83545-KVN-900	F-14	87507-MCW-D20	F-30
83545-KVN-900	F-14	87509-AAP-000	F-30
83550-KVN-970R	F-14	87522-MAB-600	F-30
83550-AAK-100U	F-14	87560-AAB-H00	F-30
83550-AAK-100U	F-14	88110-AAK-H01ZA	F-3
83550-KVN-970V	F-14	88110-AAK-100U	F-3
83550-KVN-970U	F-14	88110-AAK-100U	F-3
83550-KVN-970X	F-14	88110-AAK-H01ZE	F-3
83550-AAK-H70Y	F-14	88110-AAK-H01ZD	F-3
83551-376-000	F-1A	88110-AAK-H01ZG	F-3
83551-376-000	F-1A	88110-AAK-H70Y	F-3
83551-300-000	F-13	88114-198-D10	F-3
83551-300-000	F-13	88114-198-D10	F-3
83601-KVN-900	F-23	88115-KTR-900	F-3
83601-KVN-900	F-23	88115-KTR-900	F-3
83620-AAK-600	F-14	88120-AAK-H01ZA	F-3
83620-AAK-600	F-14	88120-AAK-100U	F-3
83650-KVN-970R	F-14	88120-AAK-100U	F-3
83650-AAK-100U	F-14	88120-AAK-H01ZE	F-3
83650-AAK-100U	F-14	88120-AAK-H01ZD	F-3

83650-KVN-970V	F-14	88120-AAK-H01ZG	F-3
83650-KVN-970U	F-14	88120-AAK-H70Y	F-3
83650-KVN-970X	F-14	88150-KVN-900	F-21
83650-AAK-H70Y	F-14	88150-KVN-900	F-21
84701-KVN-900	F-21	89102-AAC-000	F-26

PART NO	BLOCK	PART NO	BLOCK
89102-538-000	F-26	90107-GN1-010	F-18A
89103-538-000	F-26	90107-428-000	F-21A
89215-AAC-000	F-26	90108-KVN-900	F-13
89216-AAD-H00	F-26	90110-KVE-900	F-24
90001-KFN-850	F-17-DISC	90111-KCC-841	F-3A
90001-KFN-850	F-17-DRUM	90111-187-000	F-15
90002-KRM-840	E-1A	90111-187-000	F-15
90002-KRM-840	E-1A	90111-MR5-000	F-24
90003-KFG-000	E-1	90112-KCC-841	F-3A
90003-KFG-000	E-1	90113-438-000	F-3
90003-KVS-900	E-12	90113-438-000	F-3
90003-KVS-900	E-12	90114-KCC-841	F-3A
90003-KCC-840	F-3	90114-KCC-841	F-3A
90003-KCC-840	F-3	90116-KAG-900	F-7
90005-KY7-000	E-4	90122-KVT-941	F-24A
90005-KY7-000	E-4	90123-KSP-901	F-7
90006-MEE-000	E-1A	90123-KRM-860	F-7
90006-MEE-000	E-1A	90123-KRM-860	F-7
90008-KRM-840	E-6	90127-KRY-970	F-10B-DISC
90008-KRM-840	E-6	90127-KRY-970	F-10B-DISC
90012-KK3-830	E-2	90131-KRM-840	E-8
90012-KK3-830	E-2	90131-KRM-840	E-8
90019-399-010	F-25	90133-331-770	F-19-DISC
90019-399-010	F-25	90133-331-770	F-19-DISC
90022-MG8-000	E-12	90133-331-770	F-19-DRUM
90022-MG8-000	E-12	90133-331-770	F-19-DRUM
90031-KSP-910	E-8	90140-KAE-000	F-3
90031-KSP-910	E-8	90145-MS9-610	F-3A
90040-KSP-910	E-1A	90145-MS9-610	F-3A

90040-KSP-910	E-1A	90145-MS9-610	F-10A-DISC
90071-MB0-000	E-7B	90145-MS9-610	F-10A-DISC
90074-KVE-900	F-13	90155-KSP-900	F-8
90083-KRM-840	E-4	90155-KY4-900	F-10B-DISC
90083-KRM-840	E-4	90155-KY4-900	F-10B-DISC
90084-KVE-930	E-7C	90201-KRM-840	E-7
90084-KVE-930	E-7C	90201-KRM-840	E-7
90084-041-000	E-10	90201-KRM-840	E-7A
90084-041-000	E-10	90201-KRM-840	E-7A
90085-KTC-920	E-7A	90201-MW3-620	F-3
90085-KTC-920	E-7A	90201-MW3-620	F-3
90087-KVE-900	E-7C	90202-KRM-840	E-6
90087-KVE-900	E-7C	90202-KRM-840	E-6
90101-GJ6-000	F-1	90206-250-000	E-2
90101-GJ6-000	F-1	90206-250-000	E-2
90101-GE0-000	F-1A	90231-KM7-700	E-8A
90101-087-720	F-12	90231-KM7-700	E-8A
90101-087-720	F-14	90301-473-000	F-10
90101-087-720	F-21	90301-473-000	F-10
90102-KVN-900	F-4	90302-KTE-911	F-6
90102-KVN-900	F-4	90302-KTE-911	F-6
90103-MCS-G00	F-10A-DISC	90302-KBP-900	F-19-DISC
90103-KVN-900	F-12	90302-KBP-900	F-19-DISC
90103-KVN-900	F-21	90302-KBP-900	F-19-DRUM
90104-KVN-900	F-22	90302-KBP-900	F-19-DRUM
90105-KVN-900	F-1A	90303-KCC-841	F-3A
90105-KGH-900	F-9	90303-KCC-841	F-3A
90105-KL8-741	F-11-DISC	90304-AAH-F00	F-4
90105-KL8-741	F-11-DISC	90304-KSP-900	F-4
90105-KVN-900	F-14	90304-KSP-900	F-4

90106-KRY-970	F-6	90304-KCS-920	F-11-DISC
90106-KVN-900	F-14	90304-KCS-920	F-11-DISC
90107-KST-940	F-16	90304-KST-942	F-11-DISC
90107-KST-940	F-16	90304-KST-942	F-11-DISC
90107-GN1-010	F-18A	90304-KCS-920	F-11-DRUM

PART NO	BLOCK	PART NO	BLOCK
90304-KCS-920	F-11-DRUM	90502-155-000	F-18-DISC
90304-KST-942	F-11-DRUM	90502-155-000	F-18-DRUM
90304-KST-942	F-11-DRUM	90502-155-000	F-18-DRUM
90304-KFN-850	F-18A	90502-KRY-930	F-18-DRUM
90304-KFN-850	F-18A	90503-KTR-900	F-4
90305-KVN-900	F-11-DISC	90503-KTR-900	F-4
90305-KVN-900	F-11-DISC	90505-425-000	F-10
90305-KVN-900	F-11-DRUM	90505-425-000	F-10
90305-KVN-900	F-11-DRUM	90505-KRM-860	F-18-DISC
90305-KSP-900	F-16	90505-KRM-860	F-18-DRUM
90305-KSP-900	F-16	90521-292-000	F-7
90305-KVN-900	F-19-DISC	90521-292-000	F-7
90305-KVN-900	F-19-DISC	90525-428-900	F-25
90305-KVN-900	F-19-DRUM	90534-MV4-000	F-13
90305-KVN-900	F-19-DRUM	90543-MV9-670	E-1
90306-KRM-840	E-1A	90543-MV9-670	E-1
90306-KRM-840	E-1A	90544-KFN-851	F-7
90306-KST-942	F-9	90545-300-000	F-3A
90306-KST-942	F-9	90545-300-000	F-3A
90306-KTE-911	F-9	90545-300-000	F-10A-DISC
90306-KTE-911	F-9	90545-300-000	F-10A-DISC
90306-KVT-941	F-24A	90551-178-000	F-20
90307-GJ6-000	F-1	90551-178-000	F-20
90307-GJ6-000	F-1	90559-KRY-970	F-11-DISC
90320-GC3-000	F-6	90559-KRY-970	F-11-DISC
90320-GC3-000	F-21	90559-KVN-900	F-11-DRUM
90380-MB2-000	F-22	90560-KVN-970	F-11-DISC
90401-KRM-840	E-6	90560-KVN-970	F-11-DISC
90401-KRM-840	E-6	90560-KVN-970	F-11-DRUM

90404-KPT-A00	E-1A	90560-KVN-970	F-11-DRUM
90404-KPT-A00	E-1A	90563-355-000	F-12
90417-KRM-840	E-12	90601-AAB-A00	E-10
90417-KRM-840	E-12	90601-KFN-851	F-7
90432-KPT-A00	E-8A	90601-KAF-003	F-18-DISC
90432-KPT-A00	E-8A	90601-KAF-003	F-18-DRUM
90441-KRM-840	E-8	90601-KAF-003	F-25
90441-KRM-840	E-8	90602-KRM-840	E-11
90451-KRM-840	E-11	90602-KRM-840	E-11
90451-KRM-840	E-11	90605-200-000	E-10
90452-KRM-840	E-10	90605-200-000	E-10
90452-KRM-840	E-10	90651-KCC-841	F-3A
90452-GB4-770	E-10	90651-MK3-780	F-15
90452-GB4-770	E-10	90701-KFN-850	E-5
90452-GB4-770	E-11	90701-KFN-850	E-5
90452-GB4-770	E-11	90704-KRM-840	E-1A
90453-KRM-840	E-10	90704-KRM-840	E-1A
90453-KRM-840	E-10	90741-KFB-000	E-9
90454-107-000	E-10	90741-KFB-000	E-9
90454-107-000	E-10	90741-KGH-900	E-9
90455-KSP-910	E-11	90741-KGH-900	E-9
90455-KSP-910	E-11	90755-229-000	F-9
90456-KRM-840	E-10	90755-229-000	F-9
90456-KRM-840	E-10	90851-AAE-H60	F-29
90457-KRM-840	E-12	90851-AAE-H60	F-29
90457-KRM-840	E-12	90899-KVN-900	F-1A
90463-KRM-840	E-1	90899-KVN-900	F-1A
90463-KRM-840	E-1	91001-KTN-900	E-9
90501-KPT-A00	E-6	91001-KTN-900	E-9
90501-KPT-A00	E-6	91002-KSP-911	E-9

90501-KPT-A00	E-7	91002-KSP-911	E-9
90501-KPT-A00	E-7	91003-KSP-910	E-10
90501-KPT-A00	E-7A	91003-KSP-910	E-10
90501-KPT-A00	E-7A	91004-KTN-900	E-10
90502-155-000	F-18-DISC	91004-KTN-900	E-10

PART NO	BLOCK	PART NO	BLOCK
91005-KTN-900	E-10	91455-MG8-000	F-4
91005-KTN-900	E-10	91455-MG8-000	F-4
91006-KTN-900	E-10	91547-SF4-003	F-24
91006-KTN-900	E-10	91551-AAB-100	F-24
91008-KTN-900	E-2	92101-06012-0G	F-17-DISC
91022-KTN-900	E-7A	92101-06012-0G	F-17-DRUM
91022-KTN-900	E-7A	92811-10000	F-10
91071-KVN-900	F-19-DISC	92811-10000	F-10
91071-KVN-900	F-19-DISC	92915-10025-0E	F-11-DISC
91071-KVN-900	F-19-DRUM	92915-10025-0E	F-11-DISC
91071-KVN-900	F-19-DRUM	92915-10025-0E	F-11-DRUM
91101-KTN-901	E-9	92915-10025-0E	F-11-DRUM
91102-KTN-901	E-9	93500-04025-0G	F-13
91103-KTN-901	E-9	93500-04025-0G	F-13
91202-KSP-911	E-5	93500-04032-0G	F-15
91202-KSP-911	E-5	93500-05016-0A	F-15
91203-KSP-910	E-8	93500-05016-0A	F-15
91203-KSP-910	E-8	93600-04045-1G	F-10A-DISC
91204-MC7-003	E-5	93600-04045-1G	F-10A-DISC
91204-MC7-003	E-5	93700-05012-0A	E-8A
91212-422-006	F-10A-DISC	93700-05012-0A	E-8A
91212-422-006	F-10A-DISC	93892-05020-07	F-3
91216-KSP-910	E-10	93892-05025-07	F-3
91216-KSP-910	E-10	93892-05035-07	F-3
91251-KPH-901	F-9	93892-05045-07	F-3
91251-KPH-901	F-9	93893-04012-17L	F-10A-DISC
91253-KSP-901	F-11-DISC	93901-34120	E-8A
91253-KSP-901	F-11-DISC	93901-04012-00	F-1
91253-KSP-901	F-11-DRUM	93901-42480	F-2

91253-KSP-901	F-11-DRUM	93901-24480	F-23
91254-GAA-003R	F-7	93903-34380	F-1A
91254-GAA-003R	F-7	93903-34380	F-1A
91254-KS6-003	F-19-DISC	93903-34310	F-6
91254-KS6-003	F-19-DISC	93903-34380	F-12
91254-KS6-003	F-19-DRUM	93903-34380	F-12
91254-KS6-003	F-19-DRUM	93903-35280	F-12
91255-KRM-852	F-7	93903-34380	F-13
91255-KRM-852	F-7	93903-34380	F-13
91257-230-003	F-11-DISC	93903-34380	F-14
91257-230-003	F-11-DISC	93903-34380	F-14
91258-KWC-901	F-9	93903-34210	F-21
91258-KWC-901	F-9	93903-34410	F-21
91303-KRM-840	E-7C	93903-35280	F-21
91303-KRM-840	E-7C	93903-34410	F-23
91304-KRM-840	E-1A	94001-06070-0S	F-2
91304-KRM-840	E-1A	94001-06000-0S	F-2
91305-KRM-840	E-7C	94001-06000-0S	F-2
91305-KRM-840	E-7C	94001-08000-0S	F-10
91305-KPH-900	E-8	94001-08000-0S	F-10
91305-KPH-900	E-8	94001-06000-0S	F-12
91305-443-740	F-13	94001-06000-0S	F-12
91305-443-740	F-13	94001-06000-0S	F-17-DISC
91306-MG3-000	E-4	94001-06000-0S	F-17-DISC
91306-MG3-000	E-4	94001-06000-0S	F-17-DRUM
91307-KRM-840	E-5	94001-06000-0S	F-17-DRUM
91307-KRM-840	E-5	94001-06000-0S	F-18-DISC
91309-425-003	E-7B	94001-06000-0S	F-18-DISC
91320-MB0-000	E-7B	94001-06000-0S	F-18-DRUM
91352-KSP-900	F-11-DISC	94001-06000-0S	F-18-DRUM

91352-KSP-900	F-11-DISC	94001-06000-0S	F-19-DISC
91352-KSP-900	F-11-DRUM	94001-06000-0S	F-19-DISC
91352-KSP-900	F-11-DRUM	94001-08000-0S	F-19-DISC
91356-KAG-900	F-7	94001-08000-0S	F-19-DISC
91406-KFN-850	F-15	94001-06000-0S	F-19-DISC

PART NO	BLOCK	PART NO	BLOCK
94001-06000-0S	F-19-DISC	94201-20150	F-10A-DISC
94001-06000-0S	F-19-DRUM	94201-20150	F-10A-DISC
94001-06000-0S	F-19-DRUM	94201-20150	F-17-DISC
94001-08000-0S	F-19-DRUM	94201-20150	F-17-DISC
94001-08000-0S	F-19-DRUM	94201-20150	F-17-DRUM
94001-06000-0S	F-19-DRUM	94201-20150	F-17-DRUM
94001-06000-0S	F-19-DRUM	94201-20150	F-18-DISC
94002-10070-0S	F-3	94201-20150	F-18-DISC
94002-08000-0S	F-10A-DISC	94201-20150	F-18-DRUM
94002-10000-0S	F-20	94201-20150	F-18-DRUM
94002-06000-0S	F-21	94201-30300	F-18A
94021-10000-0S	F-20	94201-30300	F-18A
94021-10000-0S	F-20	94201-20150	F-19-DISC
94021-06090-0S	F-24A	94201-20150	F-19-DISC
94050-06000	F-3	94201-20150	F-19-DRUM
94050-06000	F-3	94201-20150	F-19-DRUM
94050-06000	F-13	94251-08000	E-8A
94050-06000	F-13	94251-08000	E-8A
94050-10070	F-16	94301-08140	E-1
94050-08000	F-17-DISC	94301-08140	E-1
94050-08000	F-17-DISC	94301-10120	E-1A
94050-08000	F-17-DRUM	94301-10120	E-1A
94050-08000	F-17-DRUM	94301-10120	E-3
94050-06000	F-21	94301-10120	E-3
94050-06000	F-21	94301-08140	E-5
94050-10000	F-22	94301-08140	E-5
94050-10000	F-22	94301-08140	E-7C
94050-05000	F-23	94301-08140	E-7C
94050-06000	F-23	94301-08140	E-8

94050-06000	F-23	94301-08140	E-8
94050-10000	F-25	94301-08140	E-8A
94050-10000	F-25	94301-08140	E-8A
94050-06000	F-25	94305-20102	F-10A-DISC
94050-06000	F-25	94510-16000	E-11
94050-08000	F-25	94510-16000	E-11
94050-08000	F-25	94510-14000	E-12
94050-08070	F-28	94510-14000	E-12
94101-04700	F-3	94591-27000	F-21
94101-05000	F-15	94591-27000	F-21
94101-08000	F-19-DISC	94601-14000	E-9
94101-08000	F-19-DISC	94601-14000	E-9
94101-08000	F-19-DRUM	95002-02080	F-13
94101-08000	F-19-DRUM	95002-02100	F-13
94101-12000	F-20	95002-02130	F-13
94101-12000	F-20	95002-70000	F-15
94102-08000	F-17-DISC	95002-80000	F-15
94102-08000	F-17-DISC	95005-45470-20	F-13
94102-08000	F-17-DRUM	95005-45470-20	F-13
94102-08000	F-17-DRUM	95005-80350-20	F-13
94103-06700	F-12	95005-80350-20	F-13
94103-10000	F-16	95005-80800-20	F-13
94103-10000	F-16	95005-80800-20	F-13
94103-06000	F-18-DISC	95014-72102	F-18A
94103-06000	F-18-DRUM	95014-72102	F-18A
94103-06800	F-23	95015-54000	F-10A-DISC
94109-12000	E-8	95015-54000	F-10A-DISC
94109-12000	E-8	95015-53000	F-18-DRUM
94111-03800	F-13	95015-53000	F-18-DRUM
94111-10000	F-19-DISC	95018-54320	F-15

94111-10000	F-19-DISC	95020-15100	F-11-DISC
94111-10000	F-19-DRUM	95020-15100	F-11-DISC
94111-10000	F-19-DRUM	95020-15100	F-11-DRUM
94201-20150	F-10	95020-15100	F-11-DRUM
94201-20150	F-10	95701-06014-00	E-1A

PART NO	BLOCK	PART NO	BLOCK
95701-06014-00	E-1A	95701-06012-00	F-21
95701-06016-00	E-1A	95701-06020-07	F-21
95701-06016-00	E-1A	95701-06020-07	F-21
95701-06022-00	E-1A	95701-06016-07	F-23
95701-06022-00	E-1A	95701-06012-00	F-24
95701-06016-00	E-4	95701-06012-00	F-24
95701-06016-00	E-4	95701-06014-00	F-24
95701-06022-00	E-7B	95701-06014-00	F-24
95701-06022-00	E-7B	95701-06016-00	F-24
95701-06016-00	E-8	95701-06016-00	F-24
95701-06016-00	E-8	95701-06008-00	F-24A
95701-06020-00	E-8	95701-06012-00	F-24A
95701-06020-00	E-8	95701-06012-00	F-24A
95701-06040-00	E-8	95701-08022-08	F-25
95701-06040-00	E-8	95701-08022-08	F-25
95701-06045-00	E-8	95701-06010-00	F-25
95701-06045-00	E-8	95701-06010-00	F-25
95701-06070-00	E-8	95701-06020-07	F-25
95701-06070-00	E-8	95701-06020-07	F-25
95701-06035-00	E-8A	95701-06012-00	F-25
95701-06035-00	E-8A	95701-06012-00	F-25
95701-06016-00	E-11	95701-08016-07	F-29
95701-06016-00	E-11	95701-08016-07	F-29
95701-06012-00	F-1A	95701-08030-00	F-29
95701-06012-00	F-1A	95701-08035-00	F-29
95701-06020-00	F-1A	95701-08035-00	F-29
95701-06020-00	F-1A	95801-06105-00	E-1A
95701-08035-07	F-5	95801-06105-00	E-1A
95701-08035-07	F-5	95801-10055-00	F-16

95701-06035-00	F-10	95801-10055-00	F-16
95701-06035-00	F-10	95801-08038-07	F-18-DISC
95701-06012-00	F-10A-DISC	95801-08038-07	F-18-DRUM
95701-06012-00	F-10A-DISC	95801-10035-00	F-20
95701-06022-00	F-10A-DISC	95801-08090-00	F-25
95701-06022-00	F-10A-DISC	95801-08095-00	F-25
95701-06018-00	F-12	95801-08095-00	F-25
95701-06020-00	F-12	96001-06012-00	E-1
95701-06020-00	F-12	96001-06012-00	E-1
95701-06022-00	F-12	96001-06022-00	E-4
95701-06022-00	F-12	96001-06022-00	E-4
95701-06022-00	F-12	96001-06022-00	E-4
95701-08025-00	F-13	96001-06030-00	E-5
95701-10025-00	F-17-DISC	96001-06030-00	E-5
95701-10025-00	F-17-DISC	96001-06040-00	E-5
95701-10025-00	F-17-DRUM	96001-06040-00	E-5
95701-10025-00	F-17-DRUM	96001-06030-00	E-7C
95701-06020-00	F-18-DISC	96001-06030-00	E-7C
95701-06020-00	F-18-DISC	96001-06035-00	E-7C
95701-08020-00	F-18-DISC	96001-06035-00	E-7C
95701-08020-00	F-18-DISC	96001-06045-00	E-7C
95701-08040-07	F-18-DISC	96001-06045-00	E-7C
95701-08040-07	F-18-DISC	96001-06018-00	E-8
95701-08028-00	F-18-DISC	96001-06018-00	E-8
95701-06020-00	F-18-DRUM	96001-06022-07	F-3
95701-06020-00	F-18-DRUM	96001-06012-07	F-3A
95701-08020-00	F-18-DRUM	96001-06012-07	F-5
95701-08020-00	F-18-DRUM	96001-06032-00	F-6
95701-08040-07	F-18-DRUM	96001-06014-02	F-16
95701-08040-07	F-18-DRUM	96001-06012-00	F-18-DISC
95701-08028-00	F-18-DRUM	96001-06012-00	F-18-DISC

95701-06012-00	F-19-DISC	96001-06012-00	F-18-DRUM
95701-06012-00	F-19-DISC	96001-06012-00	F-18-DRUM
95701-06012-00	F-19-DRUM	96001-06020-00	F-24
95701-06012-00	F-19-DRUM	96001-06016-00	F-24
95701-06012-00	F-21	96100-60030-00	E-6

PART NO	BLOCK
96100-60030-00	E-6
96140-63020-10	F-11-DISC
96140-63020-10	F-11-DISC
96140-63020-10	F-11-DRUM
96140-63020-10	F-11-DRUM
96150-63010-10	F-9
96150-63010-10	F-9
96150-60050-10	F-11-DISC
96150-60050-10	F-11-DISC
96150-60050-10	F-11-DRUM
96150-60050-10	F-11-DRUM
96211-08000	F-5
96211-08000	F-5
96211-08000	F-18-DISC
96211-08000	F-18-DISC
96211-08000	F-18-DRUM
96211-08000	F-18-DRUM
96220-30085	E-12
96220-30085	E-12
96600-06016-00	E-7
96600-06016-00	E-7
96600-06022-00	E-7
96600-06022-00	E-7
96600-06016-00	E-7A
96600-06016-00	E-7A
96600-06022-00	E-7A
96600-06022-00	E-7A
96700-08020-00	F-4
96700-06012-07	F-5

96700-06012-07

F-5

96700-06020-07

F-5

98200-32000

F-24

98200-32000

F-24

98200-31000

F-24

98200-31000

F-24

98200-31500

F-24

98200-31500

F-24

99007-AAK-100

F-26

99101-AAB-1275

E-13

99101-AAB-1275

E-13

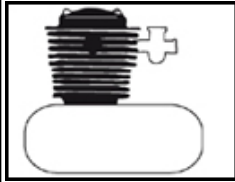
99103-AAB-0125

E-13

99103-AAB-0125

E-13

BLOCK INDEX - GROUP Engine - Hunk (Feb, 2017).



E-1

CYLINDER HEAD COVER

2



E-1A

CYLINDER HEAD

4



E-2

CAM SHAFT / VALVE

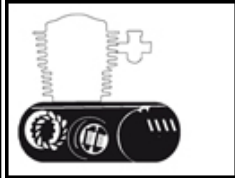
8



E-3

CYLINDER

11



E-4

CAM CHAIN TENSIONER

13



E-5

RIGHT CRANK CASE COVER

16



E-6

CLUTCH

19



E-7

A. C. GEN. ASSY.

22



E-7A

A. C. GEN. ASSY.

24



E-7B

STARTER MOTOR

27



E-7C

LEFT CRANK CASE COVER

29



E-8

CRANK CASE

32



E-8A

OIL PUMP

35



E-9

CRANK SHAFT / PISTON

38



E-10

TRANSMISSION

44



E-11

SPINDLE KICK STARTER

48



E-12

DRUM GEAR SHIFT

51



E-13

CARBURETTOR

54

BLOCK INDEX - GROUP Frame - Hunk (Feb, 2017).



F-1

HEAD LIGHT

57



F-1A

FRONT COWL /STAY

60



F-2

SPEEDOMETER / CABLE

64



F-3

HANDLE LEVER / SWITCH/CABLES

66



F-3A

FRONT BRAK MASTER CYL.

70



F-4

HANDLE PIPE / TOP BRIDGE

73



F-5

STRG. STEM

76



F-6

FRONT FENDER

79



F-7

FRONT FORK

82



F-8

CALIPER ASSY 'R' FR

85



F-9

FRONT WHEEL

87



F-10

REAR BRAKE PANEL

90



F-10A-DISC

REAR BRAKE MASTER CYL.

93



F-10B-DISC

CALIPER ASSY. REAR

97



F-11-DISC

REAR WHEEL

100



F-11-DRUM

REAR WHEEL

104



F-12

SEAT ASSY. /COWL

107



F-13

FUEL TANK

112



F-14

SIDE COVER

117



F-15

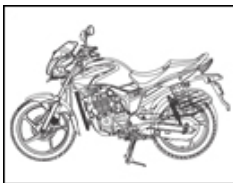
AIR CLEANER

120

BLOCK INDEX - GROUP Frame - Hunk (Feb, 2017).



	F-16	MUFFLER EXHAUST	124
	F-17-DISC	STEP PILLION	127
	F-17-DRUM	STEP PILLION	130
	F-18-DISC	GEAR CHANGE PEDAL/KICK STARTER /PEDAL BRAKE	133
	F-18-DRUM	GEAR CHANGE PEDAL/KICK STARTER /PEDAL BRAKE	137
	F-18A	MAIN STAND/SIDE STAND	141
	F-19-DISC	SWINGARM / CHAIN CASE	143
	F-19-DRUM	SWINGARM / CHAIN CASE	147
	F-20	CUSHION REAR	151



	F-21	REAR FENDER	153
	F-21A	HOLDER ASSY.(OPTIONAL)	156
	F-22	WINKER	158
	F-23	TAIL LIGHT	161



	F-24	WIRE HARNESS/START CABLES	164
	F-24A	BATTERY ASSY.	169
	F-25	FRAME BODY/ASV/GRIP REAR	171
	F-26	TOOLS	175
	F-27	STRIPE/ MARKS	177
	F-28	GUARD FRONT (OPTIONAL)	205
	F-29	GUARD SARI (OPTIONAL)	207
	F-30	CAUTION LABEL	209