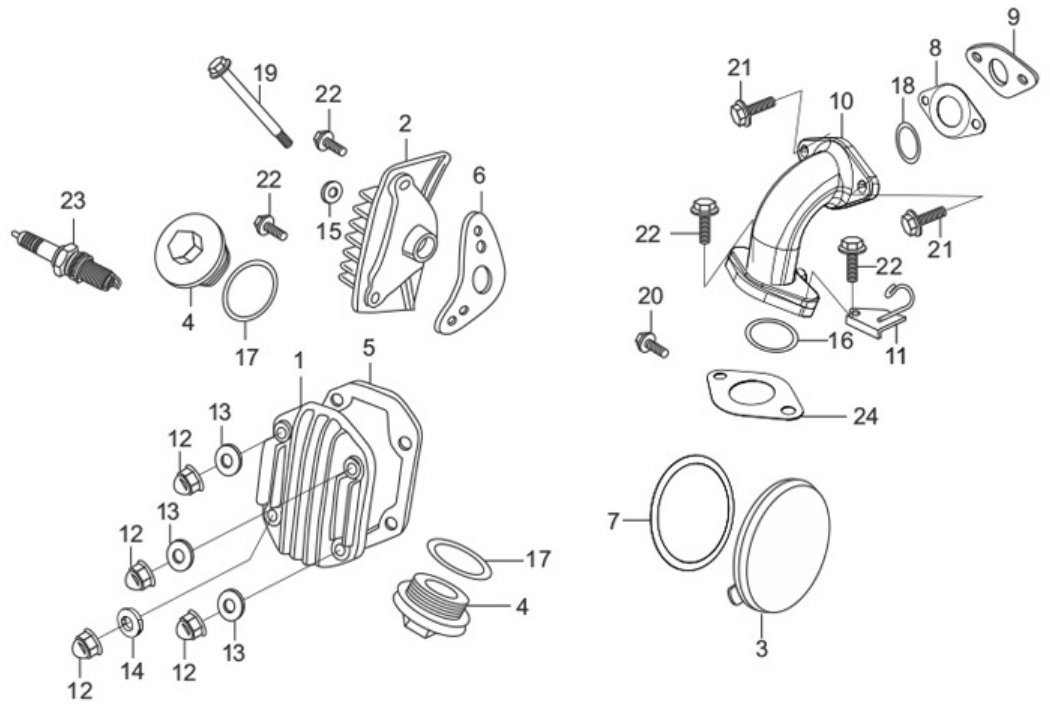


PARTS CATALOGUE

Splendor iSmart (May, 2014)

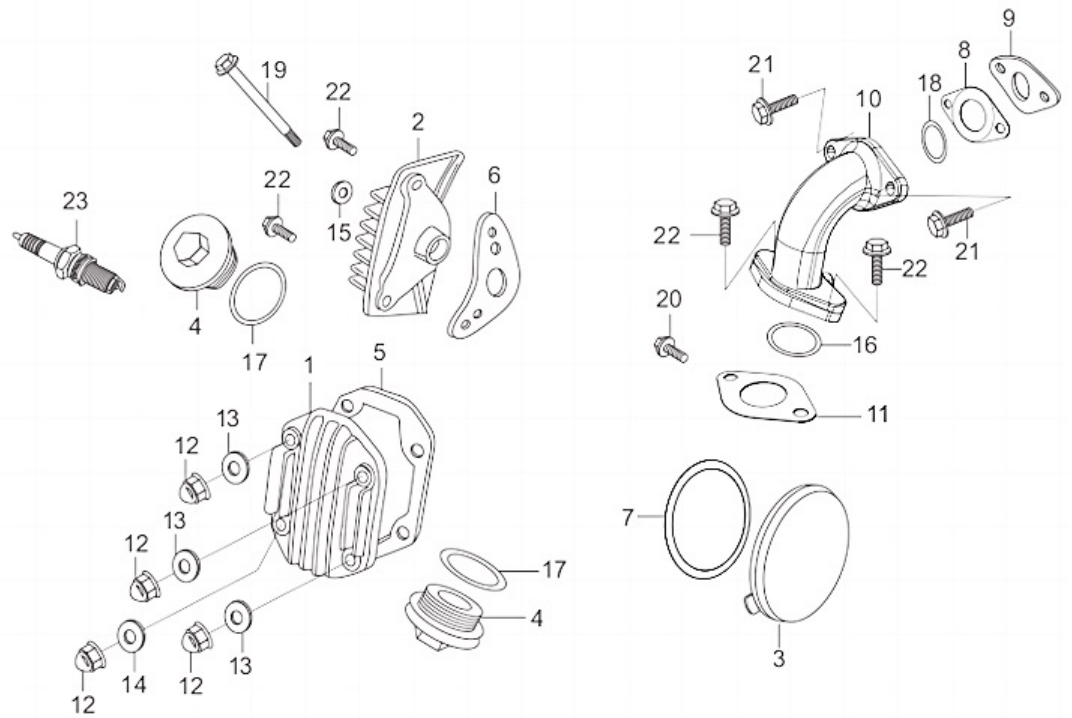
E-1 : CYLINDER HEAD COVER/INLET PIPE



Group Number: E-1 Model :: Splendor iSmart (May, 2014)

Ref No.	Part Number	Description	Req.
1	12301-KWA-900	COVER, CYLINDER HEAD, BLACK	1
2	12331-KVH-950	COVER R CYLINDER HEAD SIDE (BLK)	1
3	12341-KWA-900	COVER L CYLINDER HEAD SIDE	1
4	12361-035-000	CAP, TAPPET ADJUSTING HOLE	2
5	12391-AAH-00099	GASKET CYL HEAD COVER	1
6	12394-AAH-00099	GASKET CYL HEAD R SIDE COVER	1
7	12395-AAH-00099	GASKET CYL HEAD L SIDE COVER	1
8	16201-KWB-920	GASKET,CARB. INSULATER	1
9	16211-459-750	INSULATOR, CARBURETTOR	1
10	17110-KCC-870	PIPE INLET	1
11	18655-KWA-940	STAY,A1 TUBE	1
12	90201-GF6-000R	NUT, CAP, 7 MM	4
13	90442-GF6-000	WASHER, SEALING, 7 MM	3
14	90443-GF6-010	WASHER, A SEALING, 7 MM	1
15	90461-357-000	WASHER, SEALING, 12 MM	1
16	91301-035-000	O RING, 107 X2	1
17	91302-KEV-900	O-RING, 30.8 X 3	2
18	91304-GB1-900	O-RING, 25 X 2.4	1
19	95701-06110-00	BOLT, FLANGE, 6 X 110	1
20	96001-06020-00	BOLT, FLANGE, SH. 6 X 20	1
21	96001-06022-00	BOLT, FLANGE, SH. 6 X 22	2
22	96001-06025-00	BOLT, FLANGE, SH. 6 X 25	4
23	31917-AAC-H00	SPARK PLUG	1
24	16201-AAE-001	GASKET INLET PIPE	1

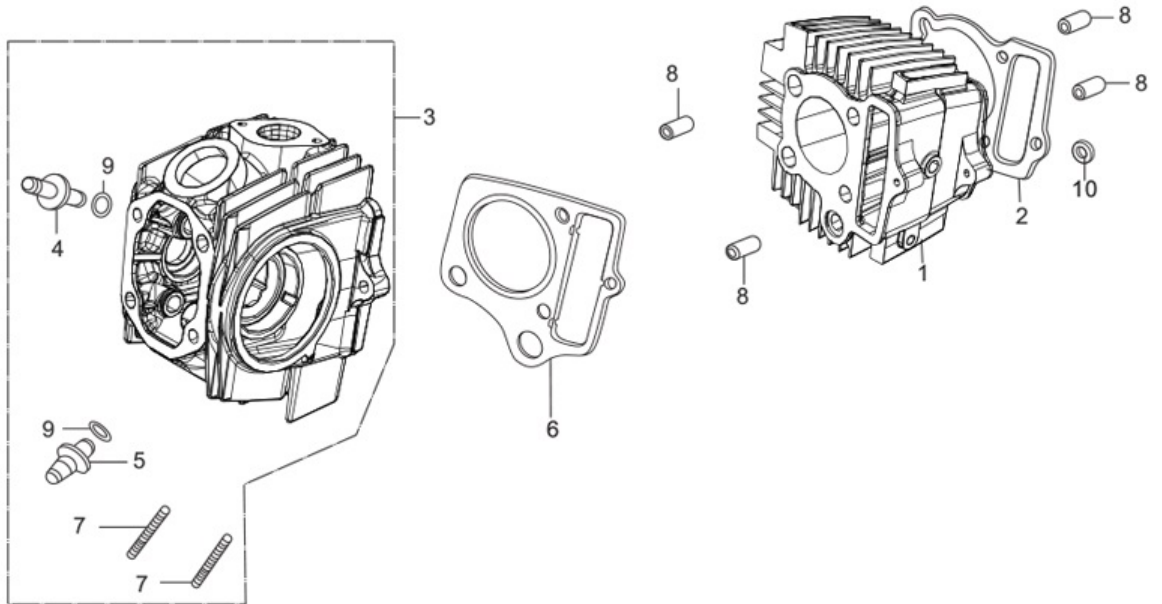
E-1A : CYLINDER HEAD COVER/INLET PIPE



Group Number: E-1A Model :: Splendor iSmart (May, 2014)

Ref No.	Part Number	Description	Req.
1	12301-KWA-900	COVER, CYLINDER HEAD, BLACK	1
2	12331-KVH-950	COVER R CYLINDER HEAD SIDE (BLK)	1
3	12341-KWA-900	COVER L CYLINDER HEAD SIDE	1
4	12361-035-000	CAP, TAPPET ADJUSTING HOLE	2
5	12391-AAH-00099	GASKET CYL HEAD COVER	1
6	12394-AAH-00099	GASKET CYL HEAD R SIDE COVER	1
7	12395-AAH-00099	GASKET CYL HEAD L SIDE COVER	1
8	16201-KWB-920	GASKET,CARB. INSULATER	1
9	16211-459-750	INSULATOR, CARBURETTOR	1
10	17110-AAF-100	PIPE, INLET	1
11	16201-AAE-001	GASKET INLET PIPE	1
12	90201-GF6-000R	NUT, CAP, 7 MM	4
13	90442-GF6-000	WASHER, SEALING, 7 MM	3
14	90443-GF6-010	WASHER, A SEALING, 7 MM	1
15	90461-357-000	WASHER, SEALING, 12 MM	1
16	91301-035-000	O RING, 107 X2	1
17	91302-KEV-900	O-RING, 30.8 X 3	2
18	91304-GB1-900	O-RING, 25 X 2.4	1
19	95701-06110-00	BOLT, FLANGE, 6 X 110	1
20	96001-06020-00	BOLT, FLANGE, SH. 6 X 20	1
21	96001-06022-00	BOLT, FLANGE, SH. 6 X 22	2
22	96001-06025-00	BOLT, FLANGE, SH. 6 X 25	4
23	31917-AAC-H00	SPARK PLUG	1

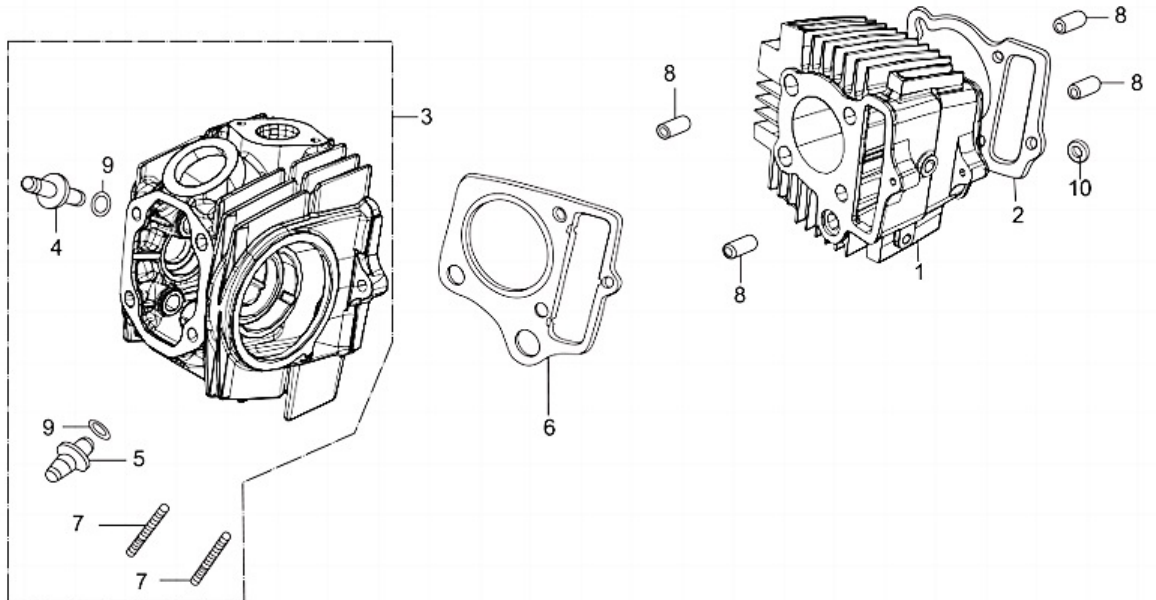
E-2 : CYLINDER HEAD



Group Number: E-2 Model :: Splendor iSmart (May, 2014)

Ref No.	Part Number	Description	Req.
1	12101-KST-940	CYLINDER	1
2	12191-GS4-762	GASKET, CYLINDER	1
3	12200-AAF-010	HEAD COMP CYLINDER	1
4	12237-GB4-305	GUIDE,IN. VALVE	1
5	12245-GB4-305	GUIDE, EXH. VALVE	1
6	12251-KST-942	GASKET, CYLINDER HEAD	1
7	90033-041-020	BOLT, STUD, 6 X 32	2
8	90701-GF6-000	PIN, DOWEL, 8 X 14	4
9	91305-028-150	O- RING, 9 X1.6	2
10	91303-GF6-000	PACKING ,RUBBER ,16MM	1

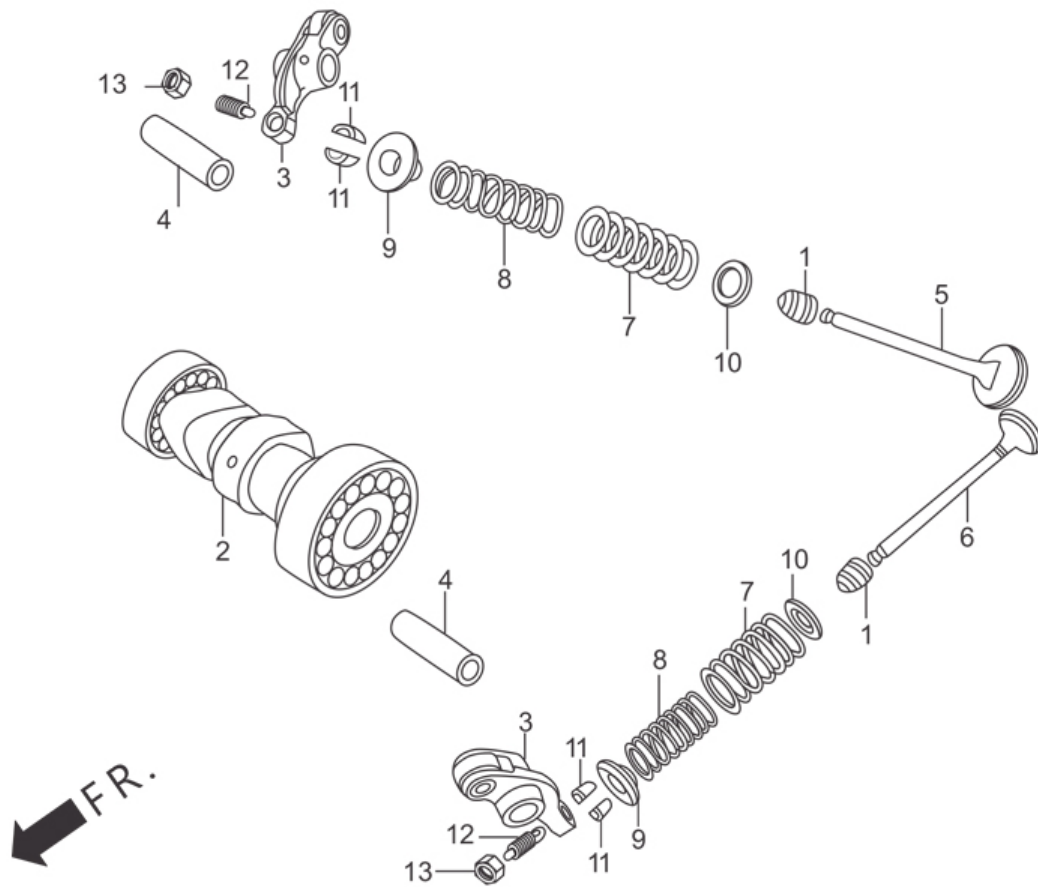
E-2A : CYLINDER/CYLINDER HEAD



Group Number: E-2A Model :: Splendor iSmart (May, 2014)

Ref No.	Part Number	Description	Req.
1	12101-KST-940	CYLINDER	1
2	12191-GS4-762	GASKET, CYLINDER	1
3	12200-AAH-500	HEAD COMP. CYLINDER	1
4	12237-GB4-305	GUIDE,IN. VALVE	1
5	12245-GB4-305	GUIDE, EXH. VALVE	1
6	12251-KST-942	GASKET, CYLINDER HEAD	1
7	90033-041-020	BOLT, STUD, 6 X 32	2
8	90701-GF6-000	PIN, DOWEL, 8 X 14	4
9	91305-028-150	O- RING, 9 X1.6	2
10	91303-GF6-000	PACKING ,RUBBER ,16MM	1

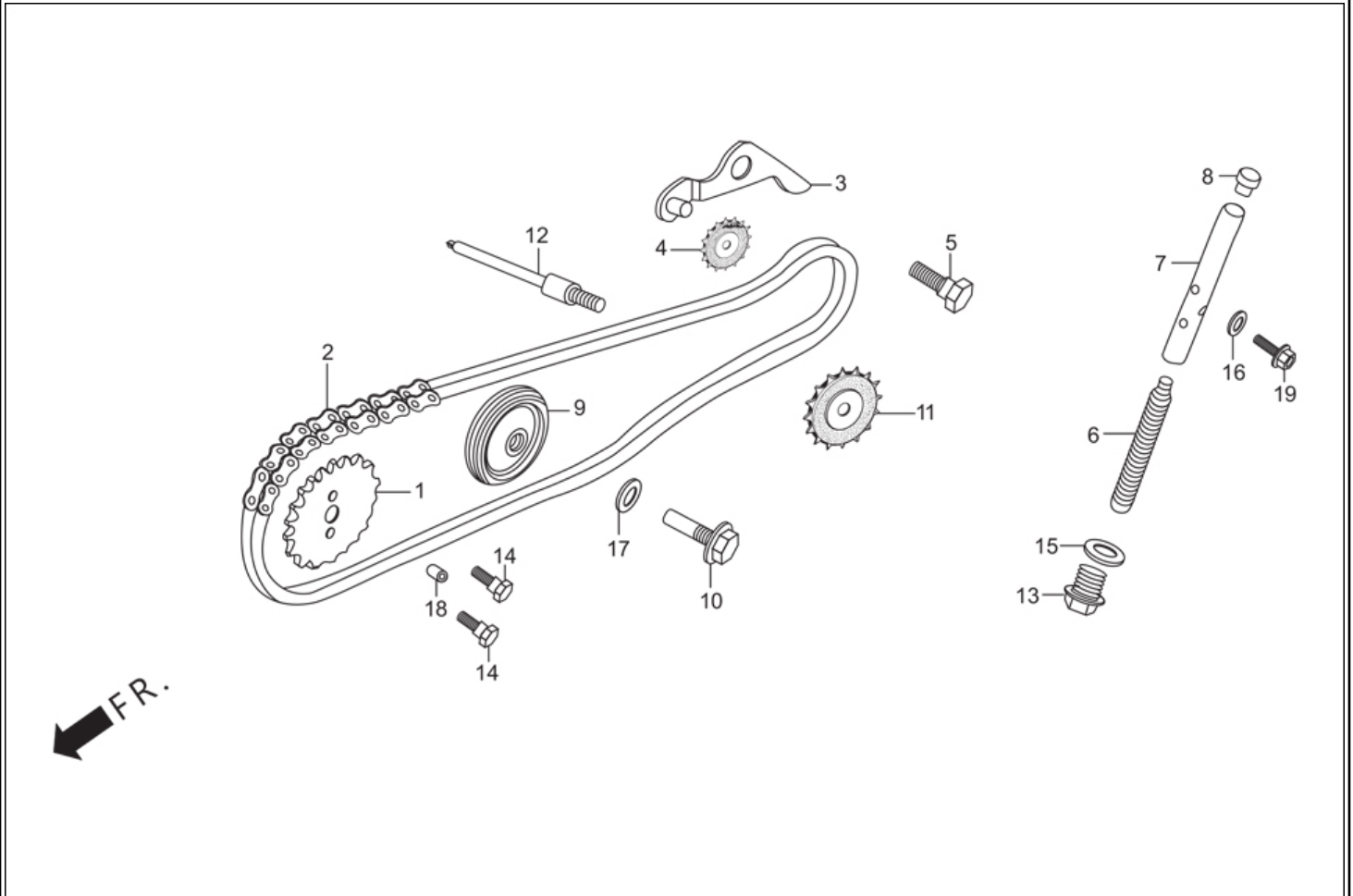
E-3 : CAM SHAFT/VALVE



Group Number: E-3 Model :: Splendor iSmart (May, 2014)

Ref No.	Part Number	Description	Req.
1	12209-GB4-685	SEAL, VALVE STEM	2
2	14100-AAH-H41	SHAFT COMP CAM	1
3	14430-KST-940	ARM COMP., VALVE ROCKER	2
4	14451-KST-940	SHAFT, ROCKER ARM	2
5	14711-GN5-910L	VALVE INLET	1
6	14721-AAE-H10	VALVE, EXHAUST	1
7	14751-GBG-900	SPRING, VALVE OUTER	2
8	14761-GBG-900	SPRING, VALVE INNER	2
9	14771-GB4-680	RETAINER, VALVE SPRING	2
10	14775-MA6-000	SEAT, VALVE SPRING OUTER	2
11	14781-MA6-000	COTTER, VALVE	4
12	90012-333-000R	SCREW, TAPPET ADJUSTING	2
13	90206-001-000	NUT, TAPPET ADJUSTING	2

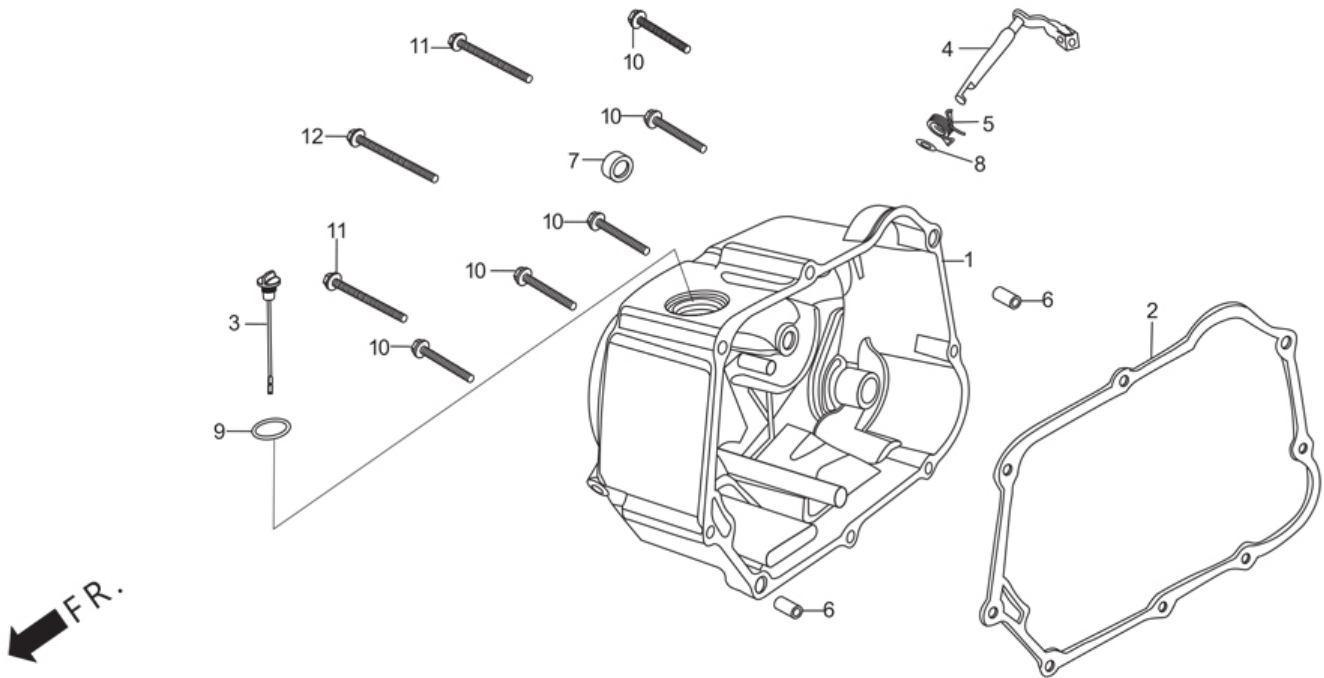
E-4 : CAM CHAIN TENSIONER



Group Number: E-4 Model :: Splendor iSmart (May, 2014)

Ref No.	Part Number	Description	Req.
1	14321-AAD-200	SPROCKET CAM	1
2	14401-AAD-00099	CAM CHAIN	1
3	14500-035-020	ARM COMP. ,CAM CHAIN TENSIONER	1
4	14502-086-000R	ROLLER, CAM CHAIN TENSIONER	1
5	14531-035-000	PIVOT, CAM CHAIN TENSIONER	1
6	14541-GB4-681	SPRING, TENSIONER	1
7	14550-GB0-910R	PUSH ROD, COMP., TENSIONER	1
8	14566-086-030	HEAD.TENS.PUSH ROD	1
9	14610-086-000R	ROLLER COMP., CAM CHAIN GUIDE	1
10	14615-035-010	PIN, GUIDE ROLLER	1
11	14670-035-030L	SPROCKET, CAM CHAIN GUIDE	1
12	14675-178-000	SPINDLE, CAM CHAIN GUIDE SPROCKET	1
13	90081-035-000	BOLT, SEALING, 14 MM	1
14	90083-KVH-900	BOLT, KNOCK, 5 MM	2
15	90441-035-000	WASHER, SEALING, 14 MM	1
16	90461-357-000	WASHER, SEALING, 12 MM	1
17	90481-035-000	WASHER, 8 MM	1
18	90702-GB6-910	PIN, DOWEL,8 X 12	1
19	96001-06018-00	BOLT, FLANGE, 6 X 18	1

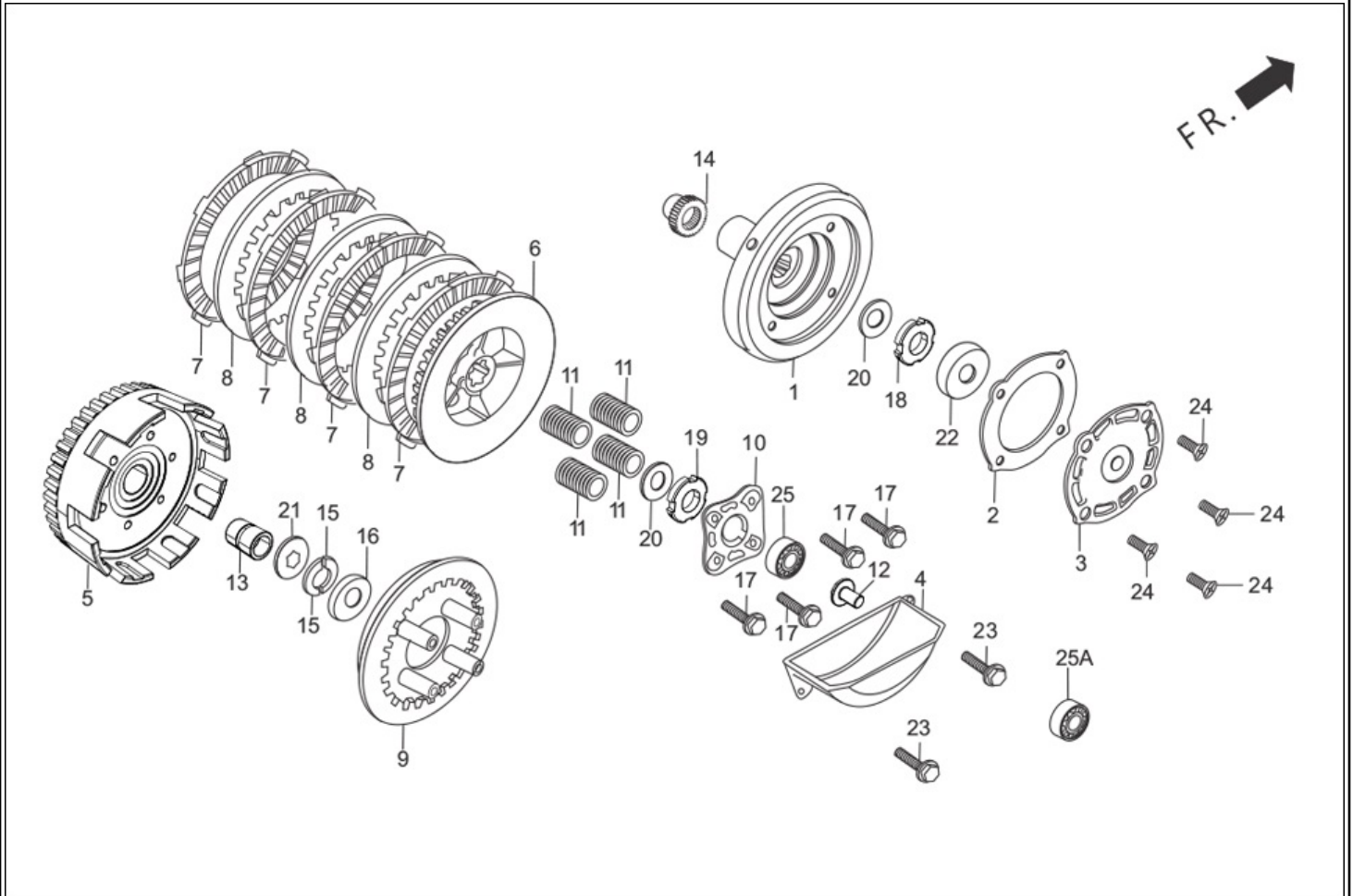
E-5 : RIGHT CRANK CASE COVER



Group Number: E-5 Model :: Splendor iSmart (May, 2014)

Ref No.	Part Number	Description	Req.
1	11330-AAF-H00	COVER COMP.R CRANK CASE	1
2	11394-AAH-00099	GASKET R CRANK CASE COVER	1
3	15650-AAC-H00	GAUGE OIL LEVEL	1
4	22810-198-000	LEVER COMP.,CLUTCH	1
5	22815-166-000	SPRING, CLUTCH LEVER	1
6	90702-GB6-910	PIN, DOWEL,8 X 12	2
7	91202-302-010	OIL SEAL, 13.8 X 24 X 5	1
8	91303-719-000	O-RING,9 MM	1
9	91307-035-000	O-RING,18 X 3	1
10	96001-06040-00	BOLT, FLANGE, SH. 6 X 40	5
11	96001-06065-00	BOLT, FLANGE, SH. 6 X 65	2
12	96001-06080-00	BOLT, FLANGE, SH. 6 X 80	1

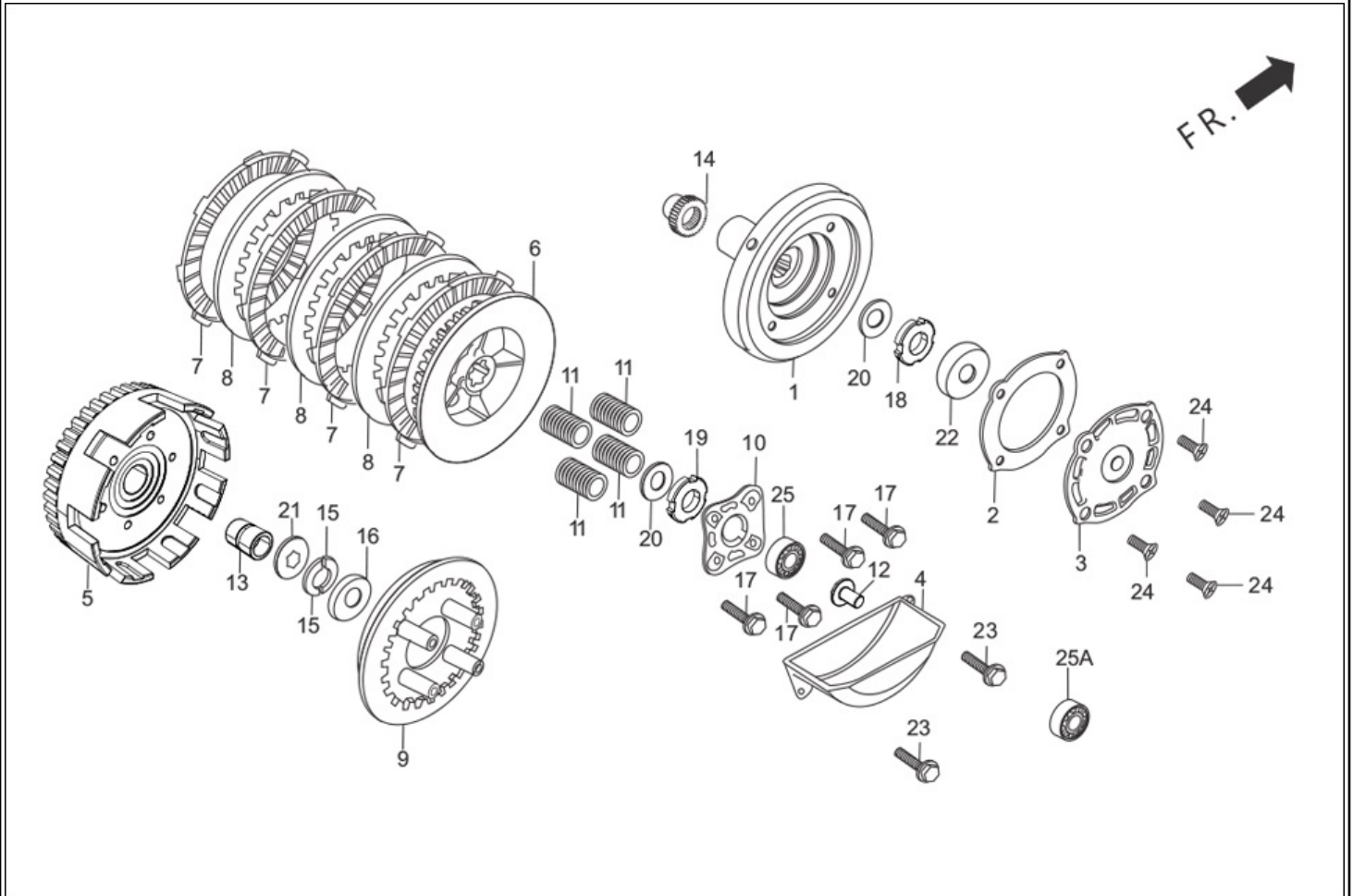
E-6 : CLUTCH



Group Number: E-6 Model :: Splendor iSmart (May, 2014)

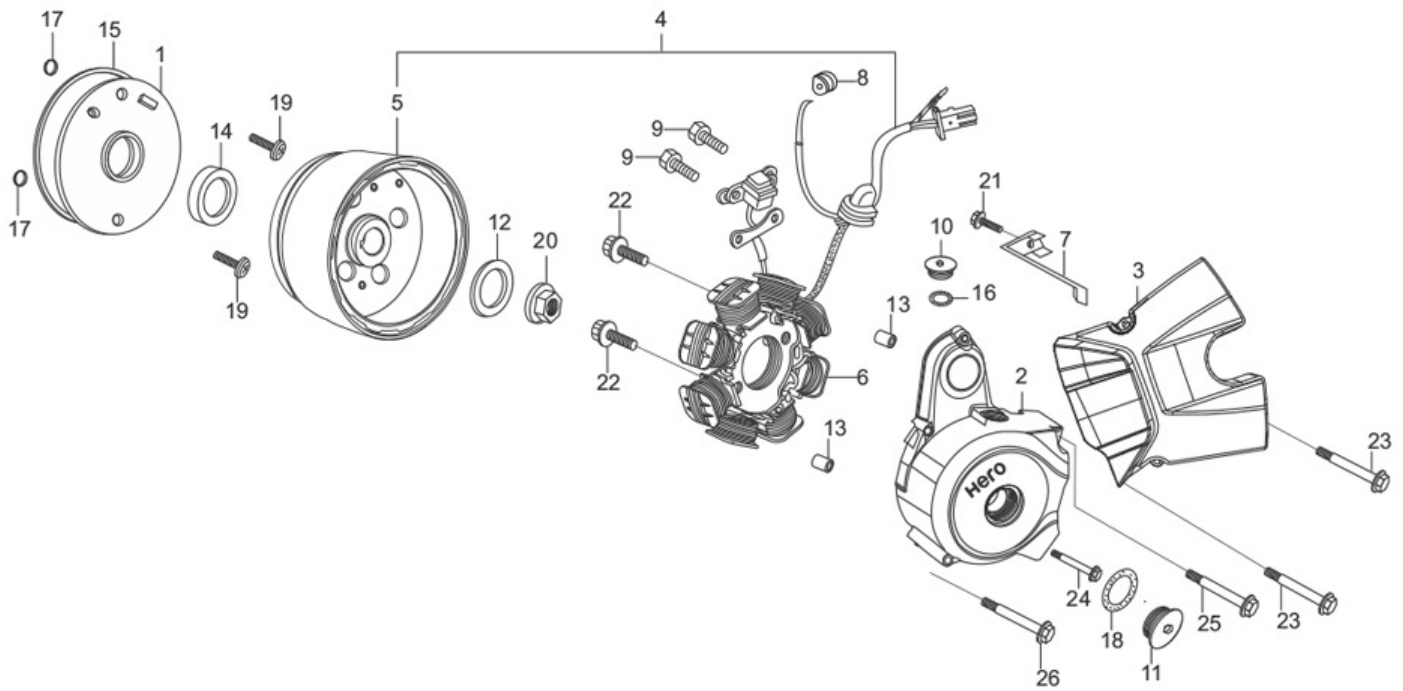
Ref No.	Part Number	Description	Req.
1	15431-198-000	ROTOR, OIL FILTER	1
2	15439-AAH-00099	GASKET ROTOR OIL FILTER	1
3	15441-198-000	COVER, OIL FILTER ROTOR	1
4	15661-198-000	PLATE, OIL SEPARATOR	1
5	22110-AAH-H40	OUTER COMP.CLUTCH	1
6	22121-198-900	CENTER, CLUTCH	1
7	22201-GF6-000	DISC, CLUTCH FRICTION	4
8	22311-107-000	PLATE, CLUTCH	3
9	22350-115-020	PLATE, CLUTCH PRESSURE	1
10	22361-KST-940	PLATE, CLUTCH LIFTER	1
11	22401-GF6-000	SPRING, CLUTCH	4
12	22847-KCC-900	ROD, CLUTCH LIFTER	1
13	23112-AAJ-H10	COLLAR DRIVEN GEAR	1
14	23121-KST-901	GEAR , PRIMARY DRIVE (18T)	1
15	23216-GF6-000	COTTER, MAINSHAFT	2
16	23217-GF6-000L	SET RING MAIN SHAFT	1
17	90050-KFL-850	SPECIAL BOLT FLANGE 6 X 25	4
18	90231-087-010	NUT, LOCK, 14 MM	1
19	90231-198-000	NUT B LOCK ,14MM	1
20	90432-086-000	WASHER `B LOCK	2
21	90461-GF6-000	WASHER, SPLINE, 17 MM	1
22	91205-350-000	OIL SEAL , 6 X 25 X 6	1
23	96001-06020-00	BOLT, FLANGE, SH. 6 X 20	2
24	93600-06016-0A	SCREW, FLAT, 6X16	4

E-6 : CLUTCH



	93600-05012-1H	SCREW, FLAT, 5 X 12	4
25	96100-60010-00	BEARING , RADIAL BALL , 6001	1
25A	96100-60010-H0	BEARING BALL RADIAL 6001	1

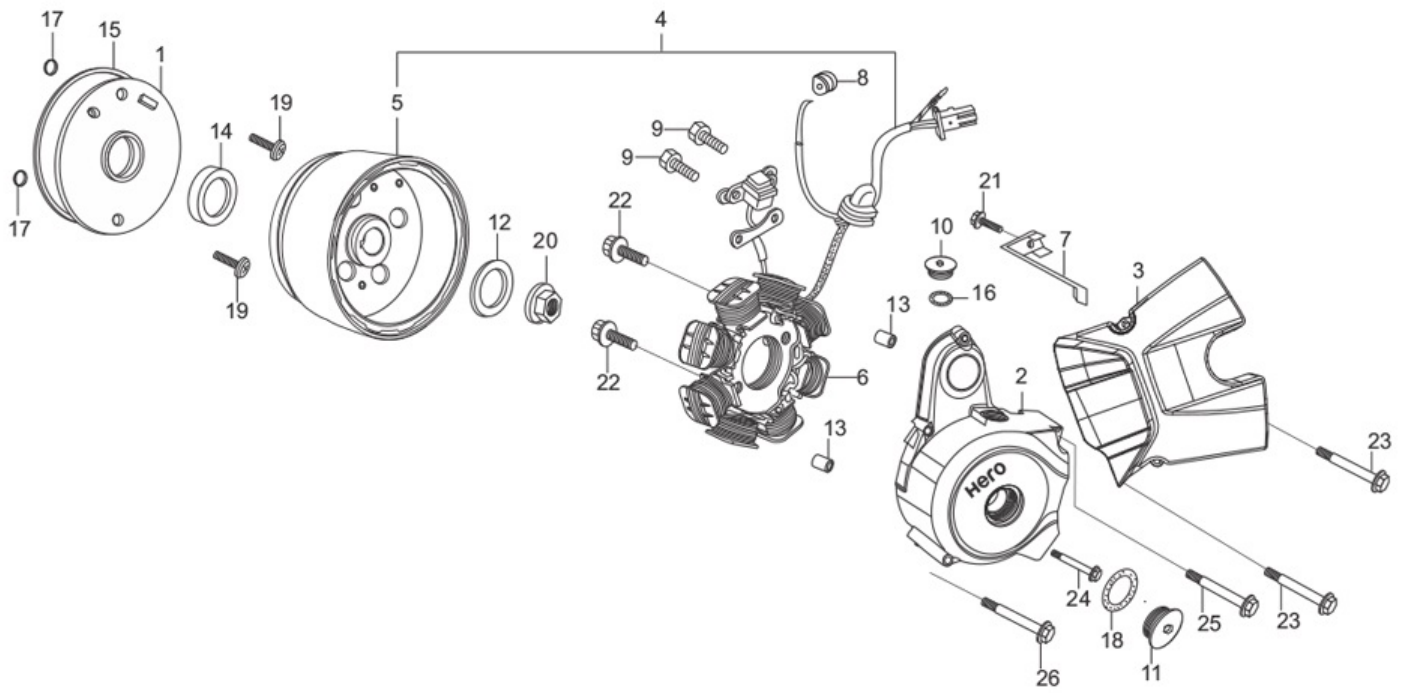
E-7-SELF : LEFT CRANK CASE COVER / A.C. GEN.ASSY.



Group Number: E-7-SELF Model :: Splendor iSmart (May, 2014)

Ref No.	Part Number	Description	Req.
1	11321-KWA-940	PLATE OIL SEPARATE	1
2	11341-AAF-H10	COVER LEFT CRANK CASE	1
3	11360-KVH-761	COVER REAR L CRANK CASE	1
4	31100-AAF-01099	AC GEN ASSY	1
5	31110-KWA-941	FLYWHEEL COMP.	1
6	31120-AAF-01099	STATOR COMP	1
7	32961-KST-940	CLAMPER ACG CORD	1
8	32981-GB4-780	GORMMET NEUTRAL SWITCH CORD	1
9	90083-KVH-900	BOLT, KNOCK, 5 MM	2
10	90084-KWA-930	CAP 14 MM	1
11	90087-KWA-930	CAP 30MM	1
12	90410-HC4-000	WASHER ,10MM	1
13	90702-GB6-910	PIN, DOWEL,8 X 12	2
14	91202-302-010	OIL SEAL, 13.8 X 24 X 5	1
15	91301-035-000	O RING, 107 X2	1
16	91303-377-000	O-RING, 13.8 X 2.5	1
17	91317-171-000	O RING, 6 X 1.7	2
18	91356-KGH-901	O-RING, 30 MM	1
19	93600-06016-0A	SCREW, FLAT, 6X16	2
20	94050-10000	NUT, FLANGE, 10MM	1
21	96001-06016-00	BOLT, FLANGE SH. 6 X 16	1
22	96001-06020-00	BOLT, FLANGE, SH. 6 X 20	2
23	96001-06028-00	BOLT, FLANGE, SH. 6X28	2
24	96001-06032-00	BOLT, FLANGE, SH., 6 X 32	1

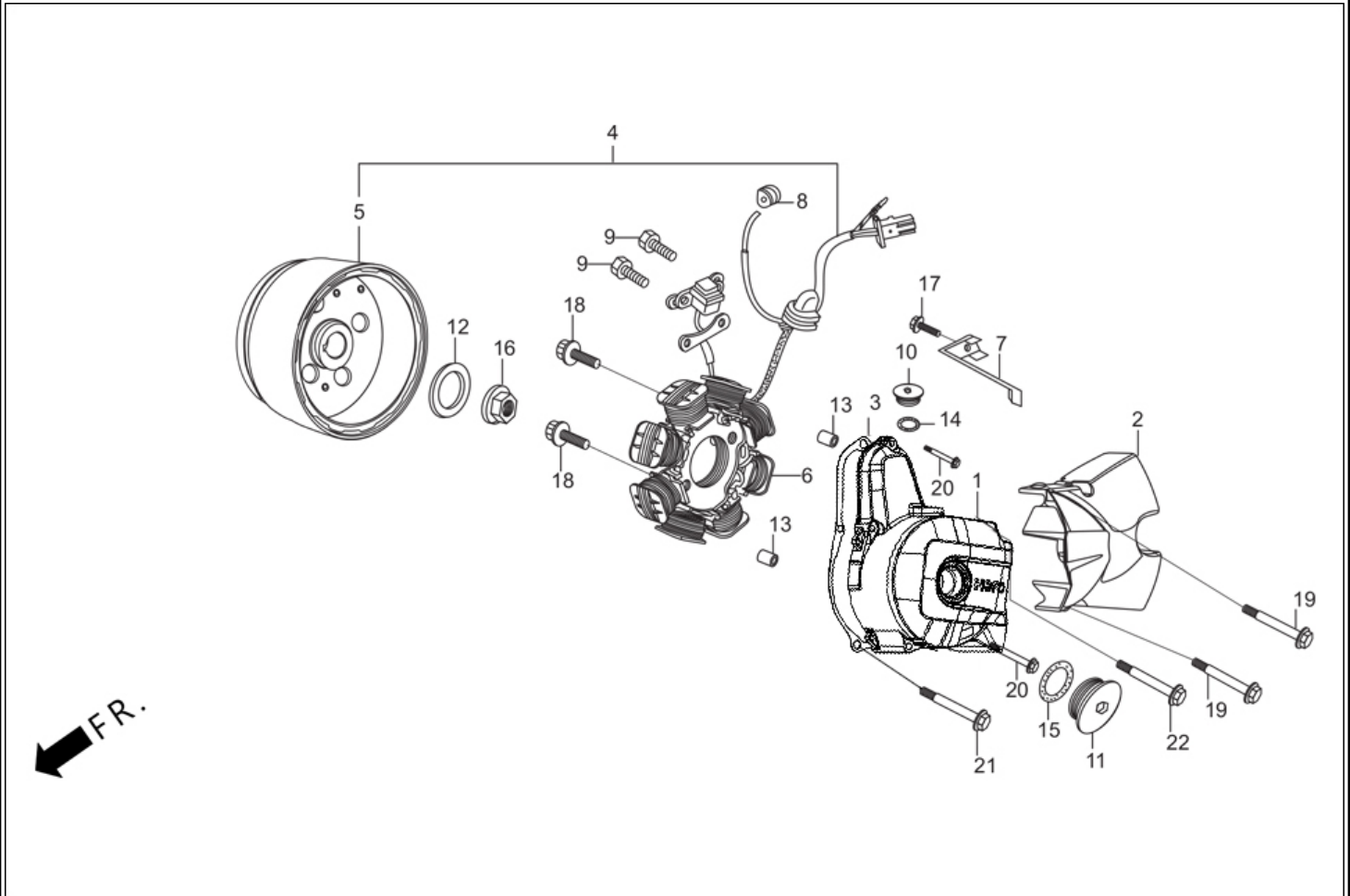
E-7-SELF : LEFT CRANK CASE COVER / A.C. GEN.ASSY.



FR.

25	96001-06060-00	BOLT, FLANGE, SH. 6 X 60	1
26	96001-06070-00	BOLT, FLANGE, SH., 6X70	1

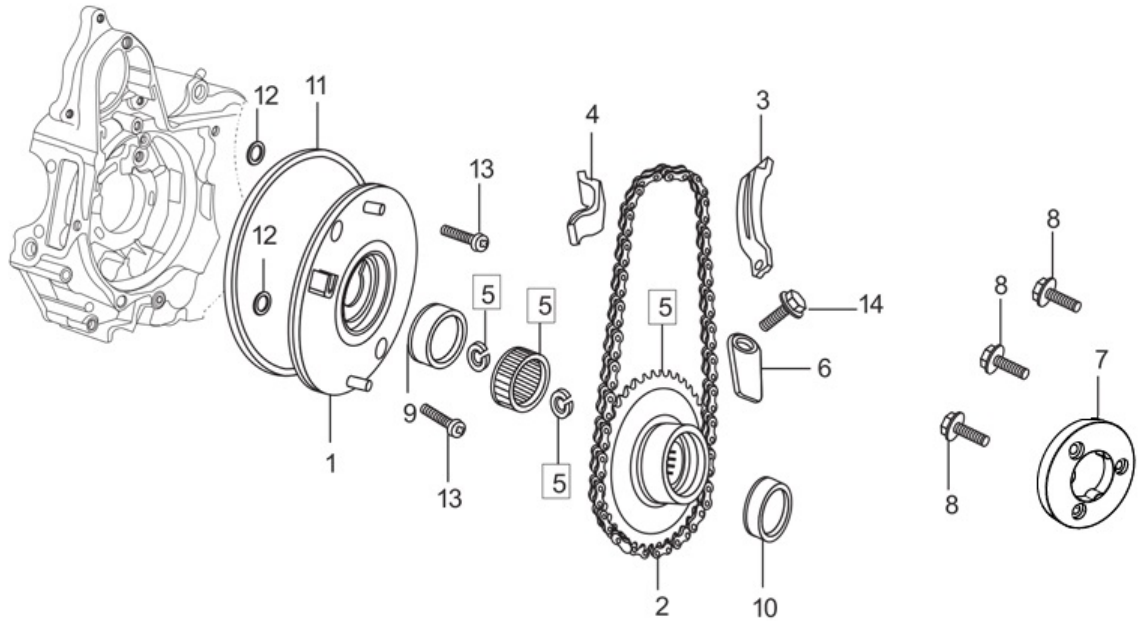
E-7A-SELF : LEFT CRANKCASE COVER / A.C. GEN. ASSY. (SELF START)



Group Number: E-7A-SELF Model :: Splendor iSmart (May, 2014)

Ref No.	Part Number	Description	Req.
1	11341-AAF-H10	COVER LEFT CRANK CASE	1
2	11360-KVH-761	COVER REAR L CRANK CASE	1
3	11395-AAH-000	GASKET L CRANK CASE COVER	1
4	31100-AAF-01099	AC GEN ASSY	1
5	31110-KWA-941	FLYWHEEL COMP.	1
6	31120-AAF-01099	STATOR COMP	1
7	32961-KST-940	CLAMPER ACG CORD	1
8	32981-GB4-780	GORMMET NEUTRAL SWITCH CORD	1
9	90083-KVH-900	BOLT, KNOCK, 5 MM	2
10	90084-KWA-930	CAP 14 MM	1
11	90087-KWA-930	CAP 30MM	1
12	90410-HC4-000	WASHER ,10MM	1
13	90702-GB6-910	PIN, DOWEL,8 X 12	2
14	91303-377-000	O-RING, 13.8 X 2.5	1
15	91356-KGH-901	O-RING, 30 MM	1
16	94050-10000	NUT, FLANGE, 10MM	1
17	96001-06016-00	BOLT, FLANGE SH. 6 X 16	1
18	96001-06020-00	BOLT, FLANGE, SH. 6 X 20	2
19	96001-06028-00	BOLT, FLANGE, SH. 6X28	2
20	96001-06032-00	BOLT, FLANGE, SH., 6 X 32	2
21	96001-06060-00	BOLT, FLANGE, SH. 6 X 60	1
22	96001-06070-00	BOLT, FLANGE, SH., 6X70	1

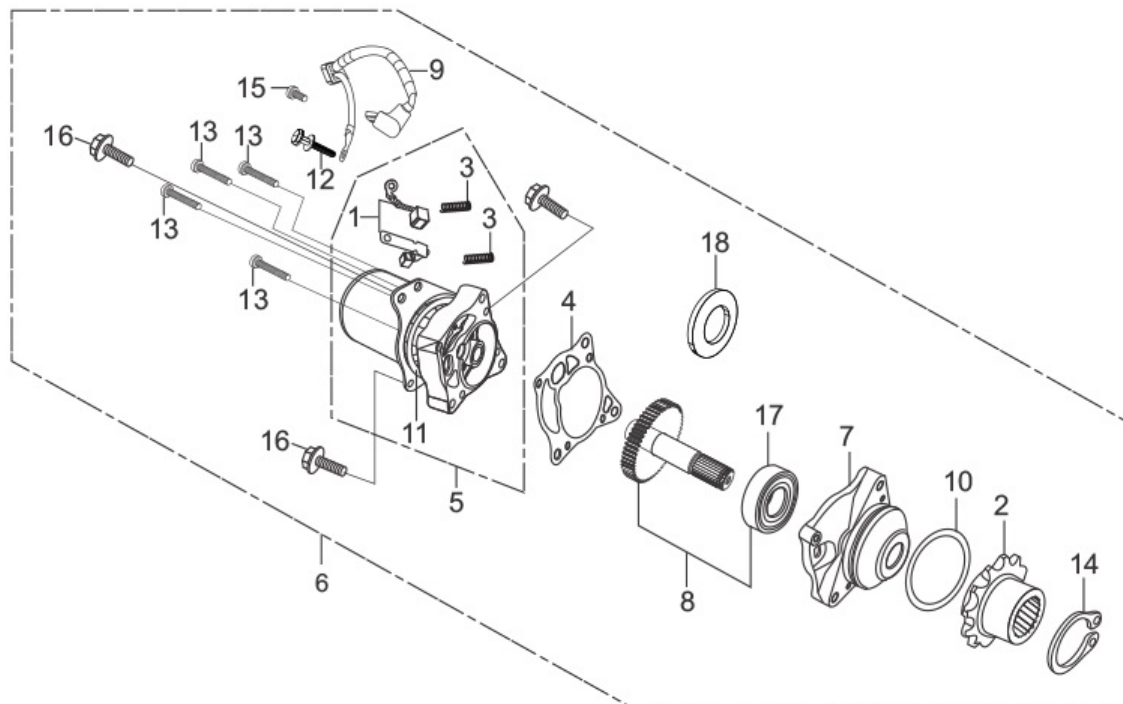
E-7B-SELF : STARTING CLUTCH



Group Number: E-7B-SELF Model :: Splendor iSmart (May, 2014)

Ref No.	Part Number	Description	Req.
1	11321-KWA-940	PLATE OIL SEPARATE	1
2	28101-KWA-940	CHAIN STARTING	1
3	28102-KWA-940	GUIDE STARTER CHAIN	1
4	28103-GB4-700	PROTECTOR STARTER CHAIN	1
5	28110-AAD-H40	SPROCKET COMP. STARTING	1
6	28117-KFL-850	SET PLATE STARTING SPROKET	1
7	28120-KWA-942	OUTER COMP. STARTING CLUTCH	1
8	90085-KWA-940	BOLT, SOCKET 6MM	3
9	91201-GBG-900	OIL SEAL 30×42×4.5	1
10	91204-GBG-850	OIL SEAL 18.9×28×5	1
11	91301-035-000	O RING, 107 X2	1
12	91317-171-000	O RING, 6 X 1.7	2
13	93600-06016-0A	SCREW, FLAT, 6X16	2
14	96001-06010-00	BOLT FLANGE SH. 6×10	1

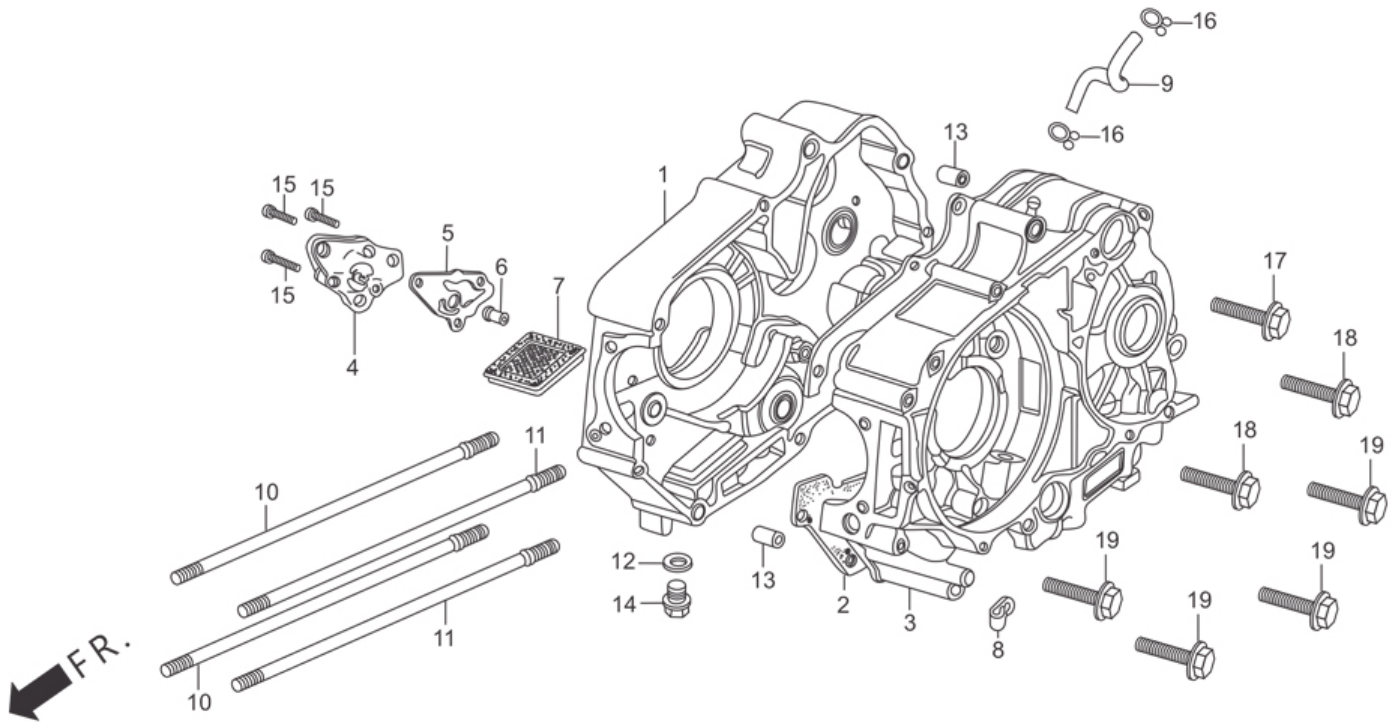
E-7C-SELF : STARTER MOTOR



Group Number: E-7C-SELF Model :: Splendor iSmart (May, 2014)

Ref No.	Part Number	Description	Req.
1	31201-KG8-004	BUSH SET	1
2	31202-GB2-700L	SPROCKET	1
3	31204-KG8-004	BRUSH, SPRING	2
4	31205-KWA-942	PACKING	1
5	31208-KWA-941	MOTOR ONLY	1
6	31210-AAF-011	MOTOR UNIT START	1
7	31211-KWA-942	GEAR CASE	1
8	31213-GB4-701L	GEAR COMP., DRIVEN	1
9	32410-KVH-871	SUB HARNESS A	1
10	91308-GB4-701L	O-RING A	1
11	91309-GB2-701L	O-RING B	1
12	93892-04006-08L	SCREW WASH 4X6	1
13	93892-05030-08L	SCREW, WASH., 5X30	4
14	94510-12000L	CIRCLIP, EXTERNAL, 12 MM	1
15	93892-04006-08L	SCREW WASH 4X6	1
16	96001-06045-00	BOLT, FLANGE, SH. 6 X 45	3
17	96120-60010-10L	BEARING, BALL RADIAL	1
18	90401-KWA-941	WASHER	1

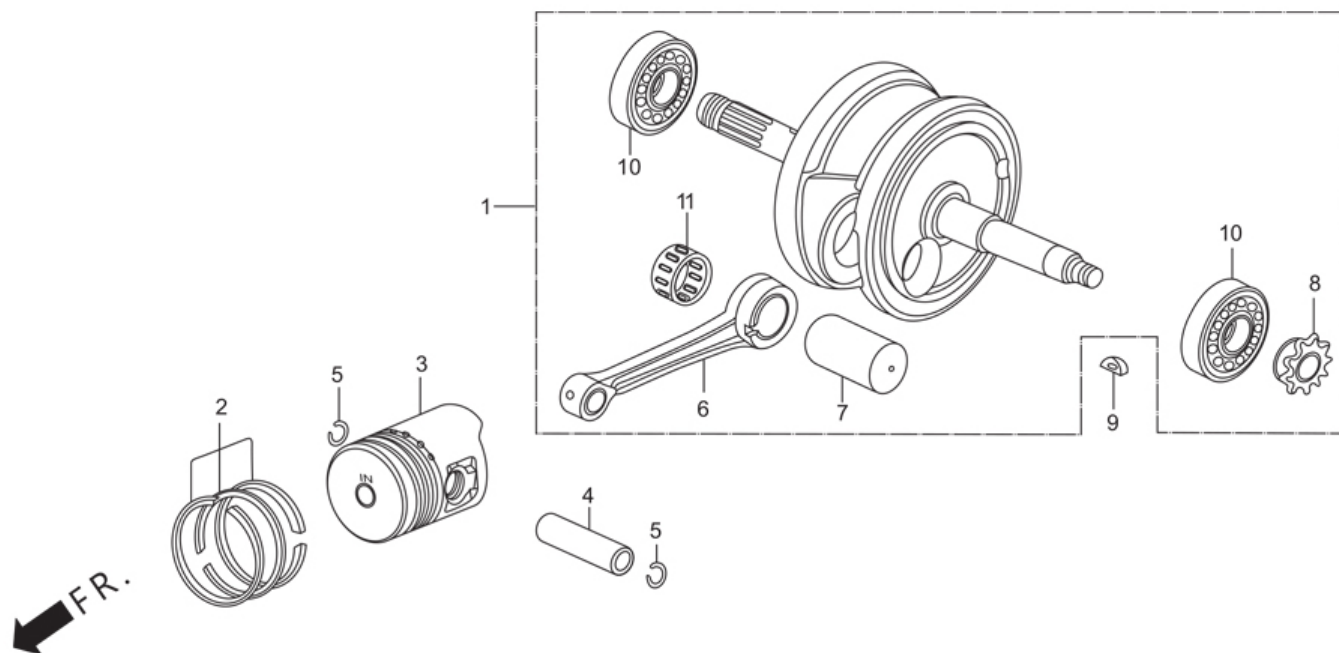
E-8-SELF : CRANK CASE / OIL PUMP



Group Number: E-8-SELF Model :: Splendor iSmart (May, 2014)

Ref No.	Part Number	Description	Req.
1	11100-KWA-900	CRANK CASE COMP., R(BLACK)	1
2	11191-AAH-00099	GASKET CRANK CASE	1
3	11200-KWA-941	CRANK CASE COMP.,L (BLK)	1
4	15100-KCC-900	PUMP ASSY.,OIL	1
5	15119-178-000	GASKET, OIL PUMP BODY	1
6	15384-178-000	PIVOT, OIL PUMP	1
7	15421-035-010	SCREEN, OIL FILTER	1
8	16236-045-010	CLAMPER, OVER FLOW PIPE	1
9	17371-KWA-940	TUBE BREATHER	1
10	90031-AAH-000	BOLT A, CYLINDER STUD, 6X198X7	2
11	90032-AAH-000	BOLT B, CYLINDER STUD, 6X205.5X7	2
12	90407-259-000	DRAIN COCK PACKING	1
13	90703-HC4-000	DOWEL PIN, 10X14	2
14	92800-12000-00	DRAIN PLUG BOLT	1
15	93500-05010-0H	SCREW, PAN, 5X10	3
16	95002-02100	CLIP, B-10 TUBE	2
17	96001-06050-00	BOLT, FLANGE, SH. 6 X 50	1
18	96001-06060-00	BOLT, FLANGE, SH. 6 X 60	2
19	96001-06065-00	BOLT, FLANGE, SH. 6 X 65	4

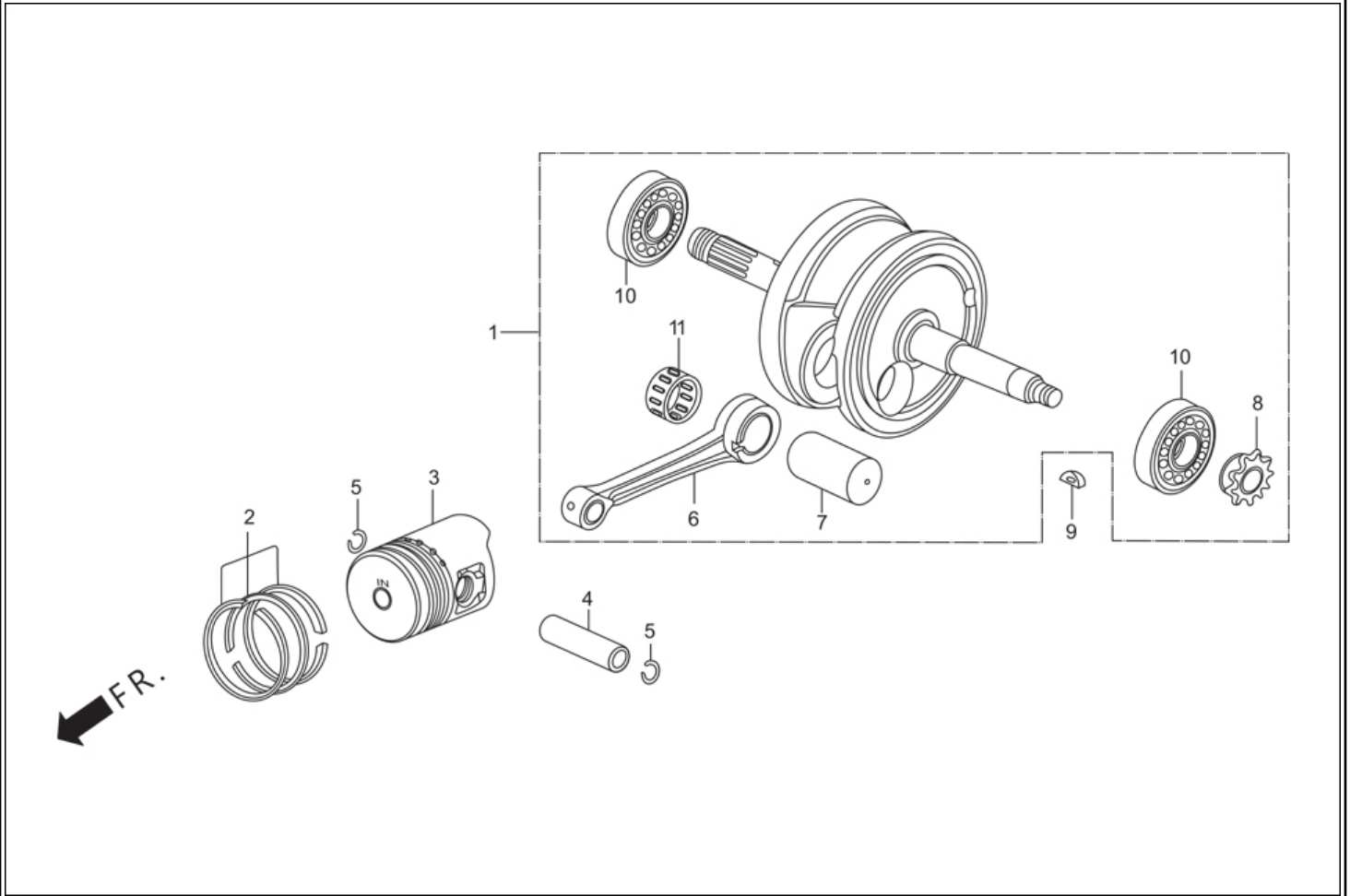
E-9 : CRANK SHAFT / PISTON



Group Number: E-9 Model :: Splendor iSmart (May, 2014)

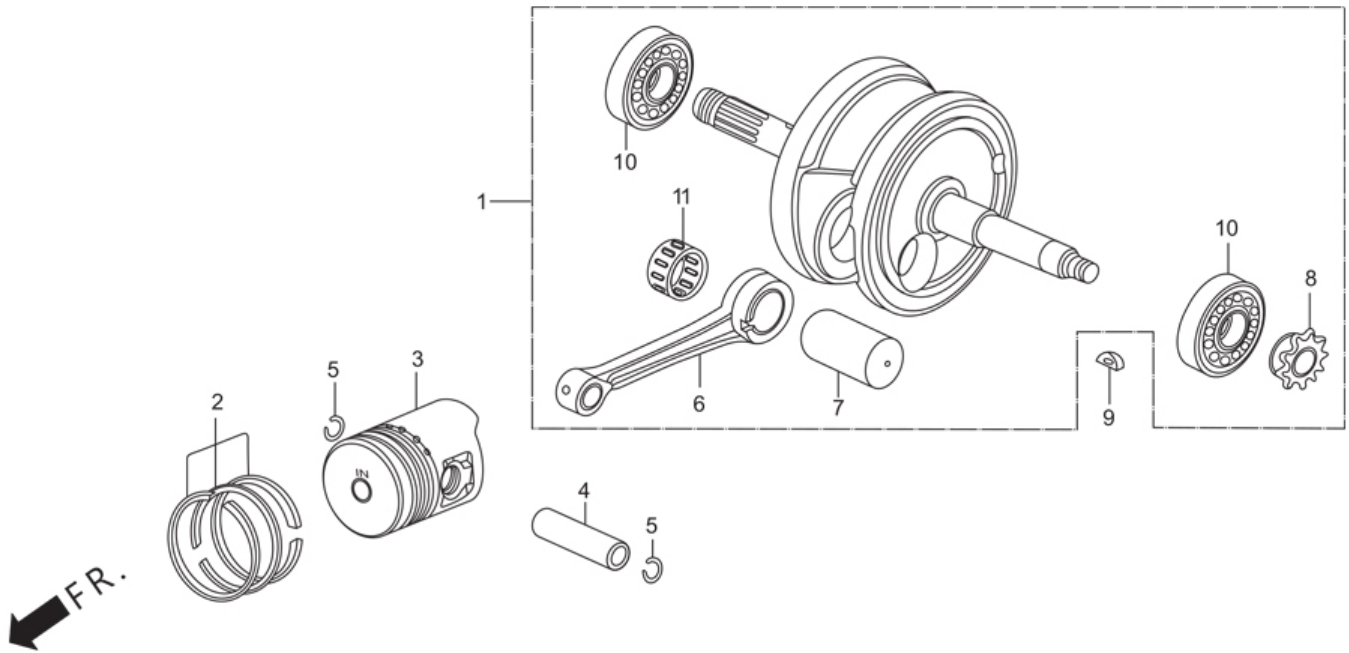
Ref No.	Part Number	Description	Req.
1	13000-AAF-000	CRANK SHAFT COMP	1
2	13011-AAF-00099	RING SET PISTON	1
	13012-AAF-00099	RING SET PISTON (O/S 0.25)	1
	13013-AAF-00099	RING SET PISTON (O/S 0.50)	1
	13014-AAF-00099	RING SET PISTON (O/S 0.75)	1
	13015-AAF-00099	RING SET PISTON (O/S 1.00)	1
3	13101-AAF-00099	PISTON	1
	13102-AAF-00099	PISTON (O/S 0.25)	1
	13103-AAF-00099	PISTON (O/S 0.50)	1
	13104-AAF-00099	PISTON (O/S 0.75)	1
	13105-AAF-00099	PISTON (O/S 1.00)	1
4	13111-087-000	PIN, PISTON	1
5	13115-001-000	CLIP, PISTON PIN	2
6	13201-GF6-300	ROD, CONECTING	1
7	13381-KCC-900L	PIN CRANK	1
8	14311-035-000	SPROCKET TIMING	1
9	90741-KFB-000	KEY,WOODRUFF,4 MM	1
10	91001-GF6-000	BEARING, RADIAL BALL, 6304	2
	91001-GF6-H00	BEARING BALL RADIAL 6304U424	2
11	91101-AAF-000	BEARING CONNECTING ROD(REDF)	1
	91102-AAF-000	BEARING CONNECTING ROD(BLUE)	1
	91103-AAF-000	BEARING CONNECTING ROD(WHITE)	1

E-9 : CRANK SHAFT / PISTON



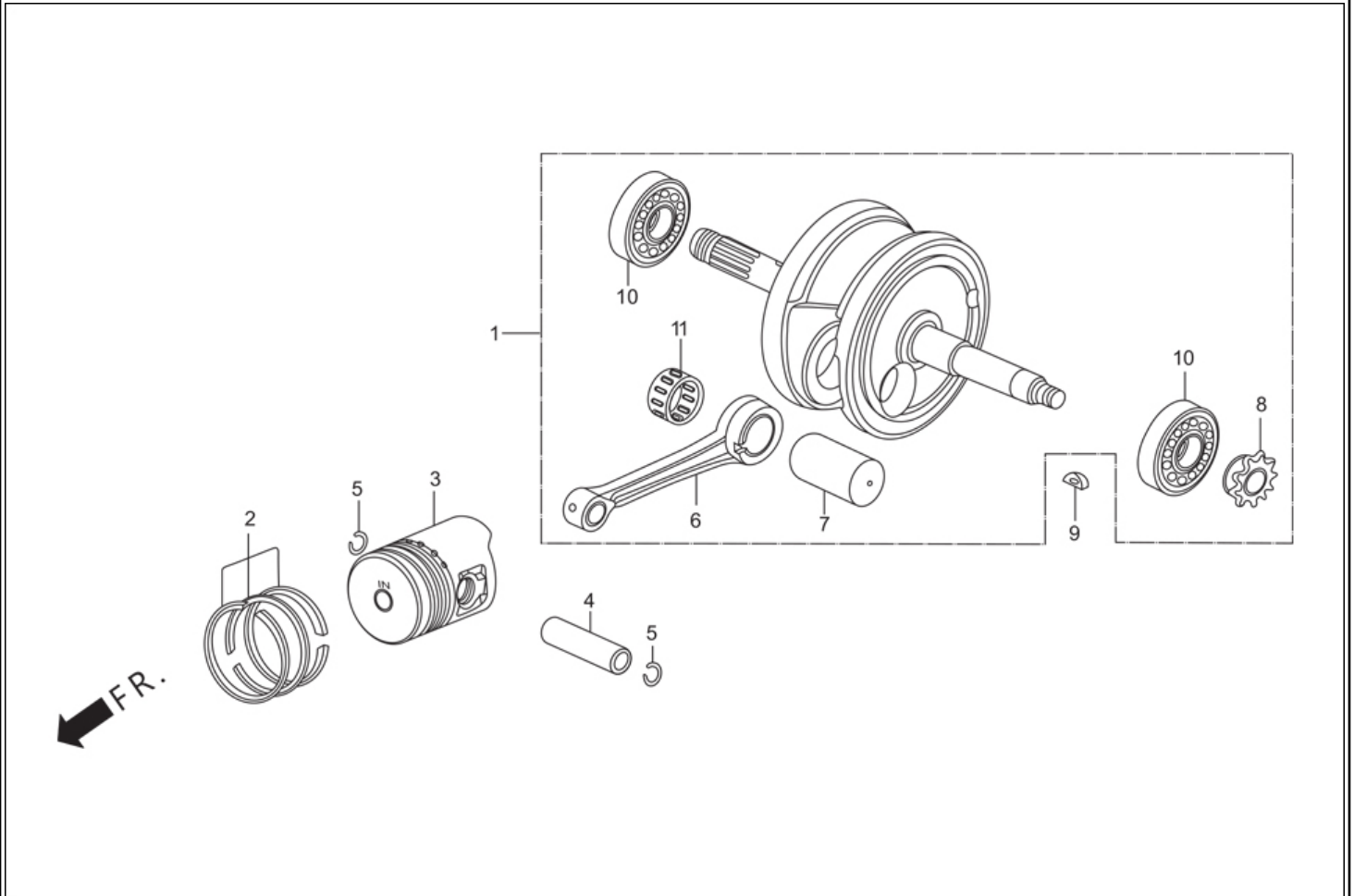
Group Number: E-9 Model :: Splendor iSmart (May, 2014)

E-9 : CRANK SHAFT / PISTON

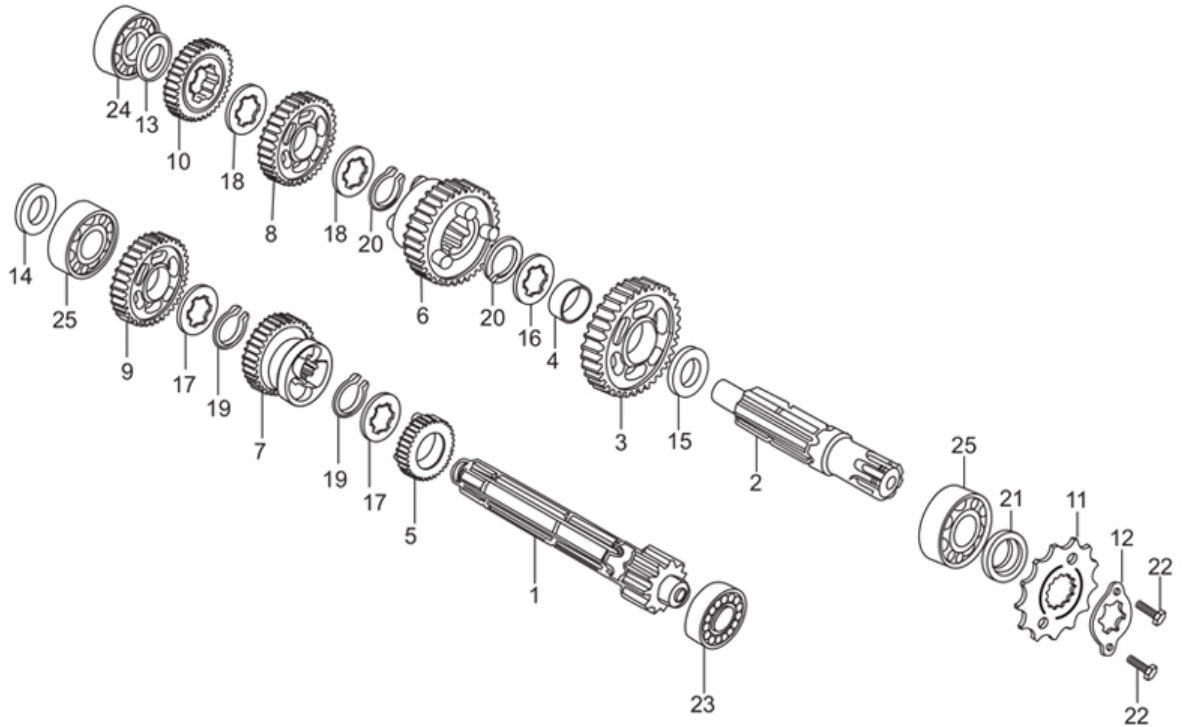


SELECTION TABLE OF CONNECTING ROD BIG END BEARING						
Crank Pin CODE (Colour)		1	2	3	4	5
		-0.001 +0.001 (Green)	+0.001 +0.003 (Yellow)	+0.003 +0.005 (White)	+0.005 +0.007 (Blue)	+0.007 +0.009 (Brown)
Connecting rod code						
a	-0.001 -0.003	91102- GF6-000R Blue		91103- GF6-000R White		
A	+0.001 -0.001		91102- GF6-000R Blue		91103- GF6-000R White	
B	+0.003 +0.001	91101- GF6-000R Red		91102- GF6-000R Blue		91103- GF6-000R White
C	+0.005 +0.003		91101- GF6-000R Red		91102- GF6-000R Blue	
D	+0.007 +0.005			91101- GF6-000R Red		91102- GF6-000R Blue
E	+0.009 +0.007				91101- GF6-000R Red	
F	+0.011 +0.009					91101- GF6-000R Red

E-9 : CRANK SHAFT / PISTON



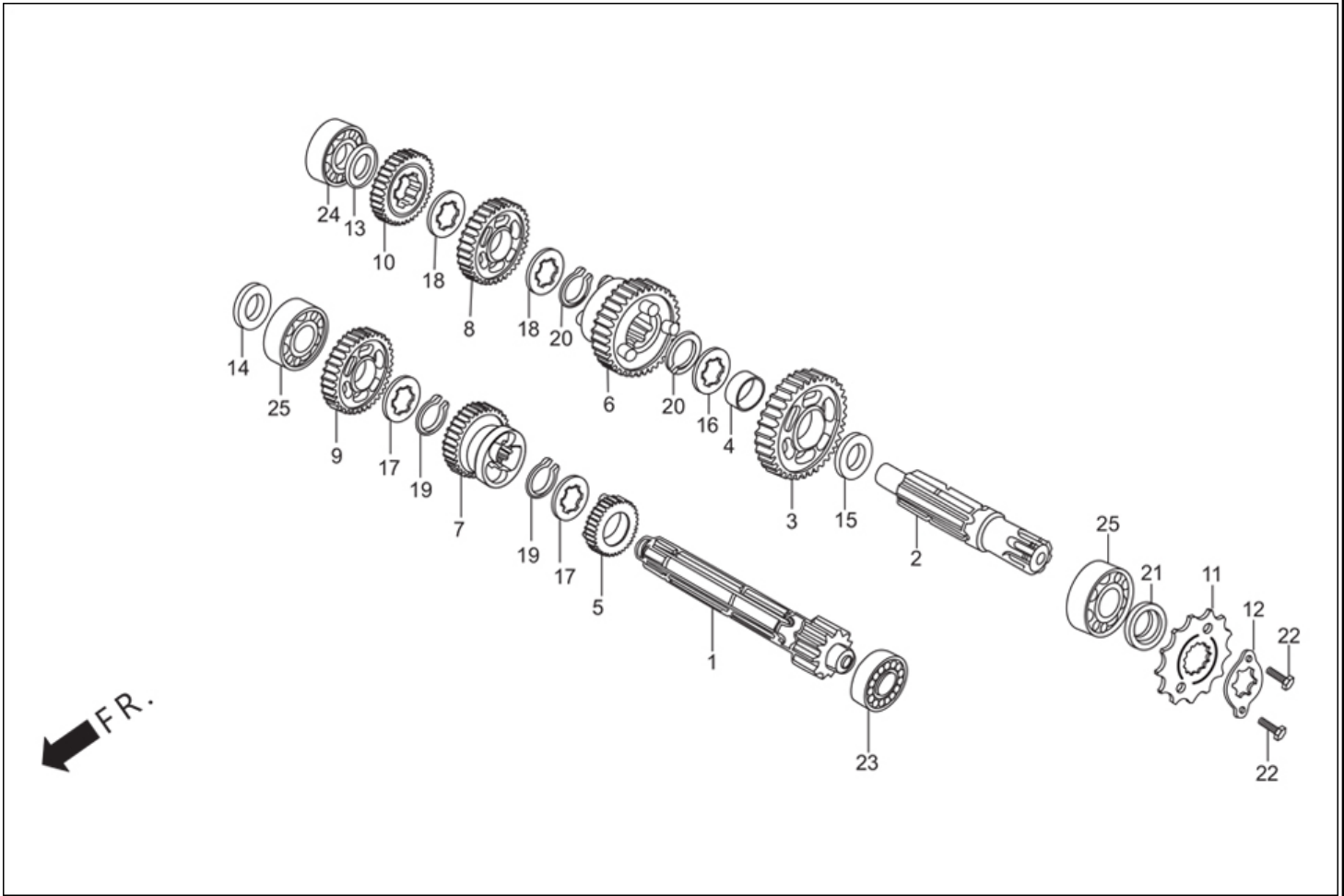
E-10 : TRANSMISSION



Group Number: E-10 Model :: Splendor iSmart (May, 2014)

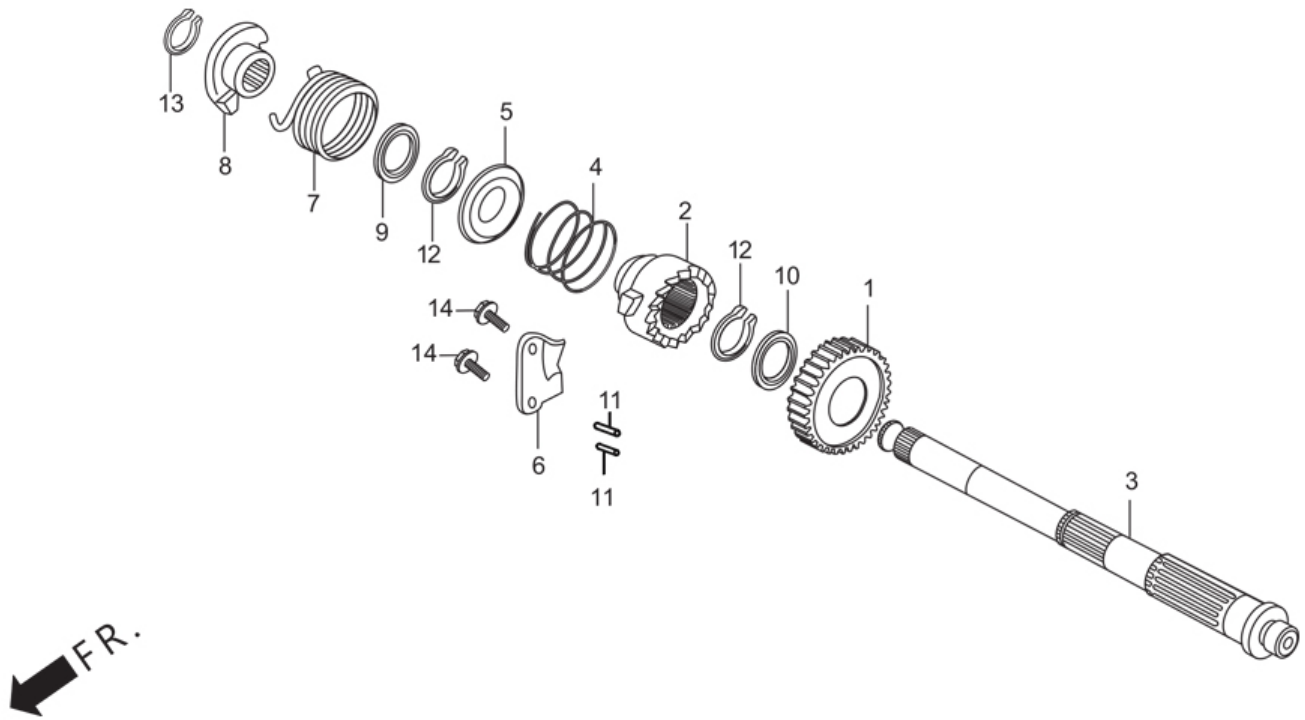
Ref No.	Part Number	Description	Req.
1	23211-GF6-000	MAIN SHAFT (11T)	1
2	23221-GF6-000	COUNTER SHAFT	1
3	23421-GB4-770	GEAR, COUNTER SHAFT LOW (35T)	1
4	23422-GB4-770	BUSH, 20 X 9	1
5	23431-GN5-910	GEAR, MAIN SHAFT SECOND (17T)	1
6	23441-GB4-770	GEAR, COUNTER SHAFT SECOND (29T)	1
7	23451-GK4-761	GEAR, M3 21T	1
8	23461-GK4-760	GEAR, COUNTER SHAFT THIRD (26T)	1
9	23471-GN5-910	GEAR, MAIN SHAFT FOURTH (24T)	1
10	23481-HF7-000	GEAR, COUNTER SHAFT FOURTH (23T)	1
11	23801-178-000	SPROCKET, DRIVE, (14T)	1
12	23802-040-000	PLATE, DRIVE SPROCKET FIXING	1
13	90451-GF6-000	WASHER THRUST 12MM	1
14	90451-198-000	WASHER, THRUST, 17 MM	1
15	90452-GB4-770	WASHER, THRUST, 17MM	1
16	90461-GB4-770	WASHER, SPLINE, 20 X 1.2	1
17	90461-035-000	WASHER, SPLINE, 17 MM	2
18	90461-459-000	WASHER, SPLINE, 20 MM	2
19	90601-001-000	CIRCLIP 17MM	2
20	90601-459-000	CIRCLIP, 20 MM	2
21	91203-GB5-760	OIL SEAL, 17 X 29 X 5	1
22	92000-06008-0H	BOLT HEX., 6 X 8	2
23	96100-60010-00	BEARING , RADIAL BALL , 6001	1
24	96100-62010-00	BEARING, RADIAL BALL, 6201	1

E-10 : TRANSMISSION



25	96100-62030-00	BEARING, RADIAL BALL, 6203	2
----	----------------	----------------------------	---

E-11 : KICK STARTER



Group Number: E-11 **Model ::** Splendor iSmart (May, 2014)

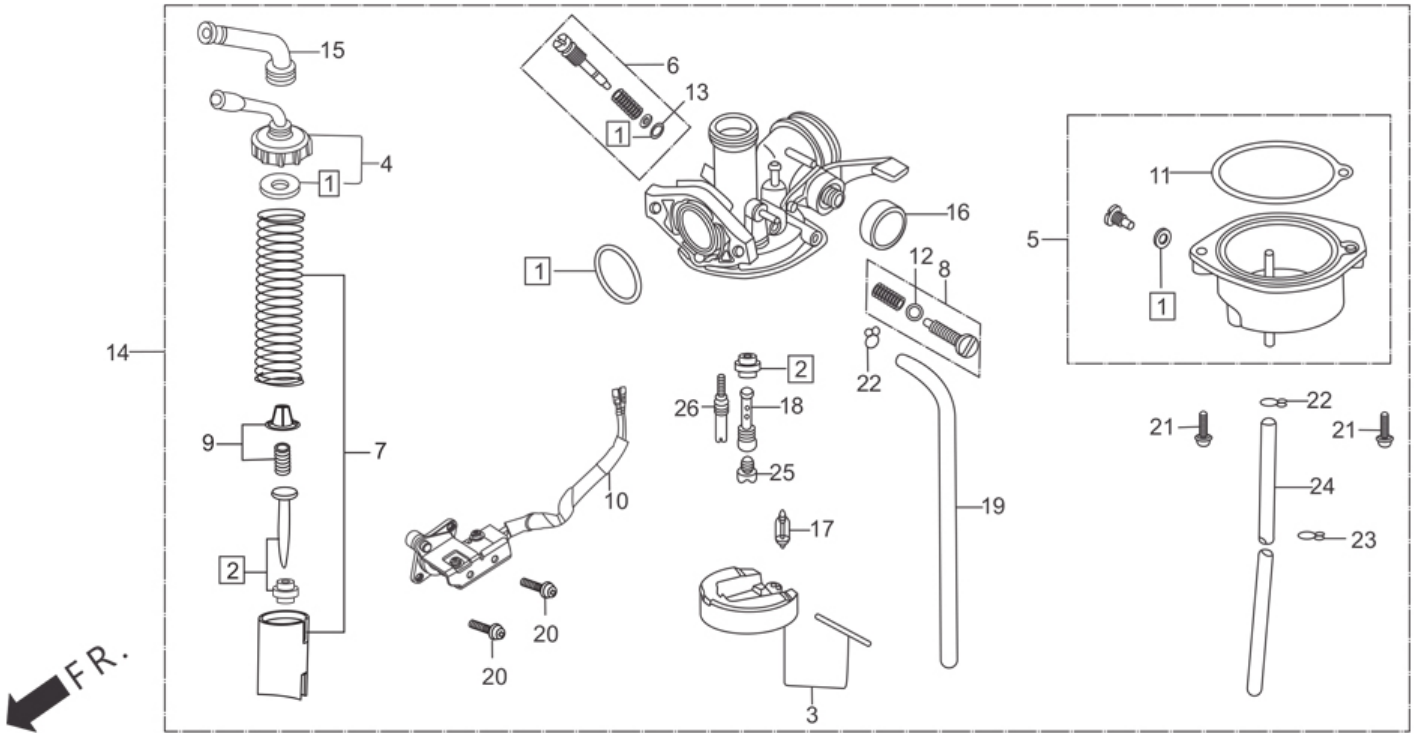
Ref No.	Part Number	Description	Req.
1	28211-AAF-000	PINION KICK STARTER	1
2	28221-198-010	RATCHET,KICK STARTER	1
3	28251-GF6-000	SPINDLE, KICK STARTER	1
4	28253-397-000	SPRING, KICK STARTER RATCHET	1
5	28254-198-000	RETAINER, RATCHET SPRING	1
6	28256-198-000	PLATE ,RATCHET GUIDE	1
7	28261-198-000	SPRING, KICK STARTER	1
8	28262-198-000	RETAINER, KICK SPRING	1
9	90452-115-000	WASHER ,17MM	1
10	90454-107-000	WASHER ,THRUST, 20MM	1
11	91101-179-710	ROLLER,10X10	2
12	90601-459-000	CIRCLIP, 20 MM	2
13	94510-16000	CIRCLIP, EXTERNAL, 16 MM	1
14	95701-06020-00	BOLT, FLANGE, 6X20	2

E-12 : GEARSHIFT

Group Number: E-12 **Model ::** Splendor iSmart (May, 2014)

Ref No.	Part Number	Description	Req.
1	24211-GF6-000R	FORK, GEARSHIFT	2
2	24261-121-742	PIN, GEARSHIFT FORK GUIDE	2
3	24263-028-000	CLIP, GEARSHIFT FORK GUIDE PIN	2
4	24301-KWA-930	DRUM GEAR SHIFT	1
5	24411-198-900	PLATE, SHIFT DRUM STOPPER	1
6	24421-200-000	PIN, GEAR SHIFT DRUM	4
7	24425-198-900	PLATE, SHIFT DRUM SIDE	1
8	24430-KST-900	ARM COMP., SHIFT DRUM STOPPER	1
9	24435-GB4-770	SPRING SHIFTDROM STPR.	1
10	24610-KST-940	SPINDLE COMP., GEAR SHIFT	1
11	24639-035-000L	COLLAR 12.2 MM	1
12	24641-041-000	SPRING ,GEAR SHIFT ARM	1
13	24651-035-000L	SPRING GEARSHIFT REU	1
14	24652-035-000	PIN, SHIFT RETURN SPRING	1
15	35750-001-000	CONTACT ASSY., NEUTRAL SWITCH	1
16	35753-035-010	ROTOR, NEUTRAL SWITCH	1
17	35755-001-000	PLATE, CONTACT FIXING	1
18	90022-GFP-900	BOLT WASHER 6×16	1
19	90801-035-000	PLUG, RUBBER, 19MM	1
20	91208-KB4-670	OIL SEAL, 11.6 X 24 X 10	1
21	91312-107-000	O -RING, 7 X 1.7	1
22	90071-171-010	BOLT, KNOCK, 6 MM	1
23	96001-06012-00	BOLT,FLANGE,SH.,6 X 12	1
24	96220-30085	ROLLER, 3 X 8.5	2

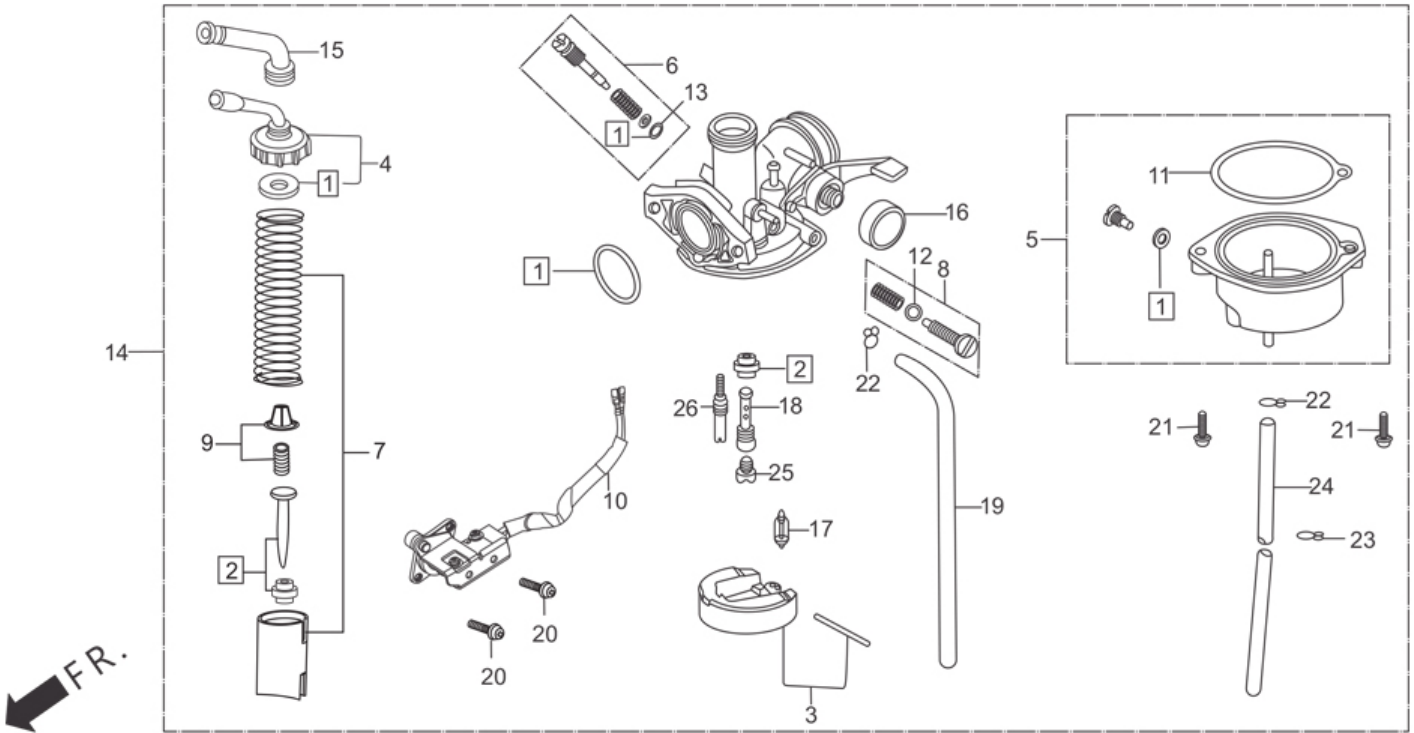
E-13 : CARBURETTOR



Group Number: E-13 Model :: Splendor iSmart (May, 2014)

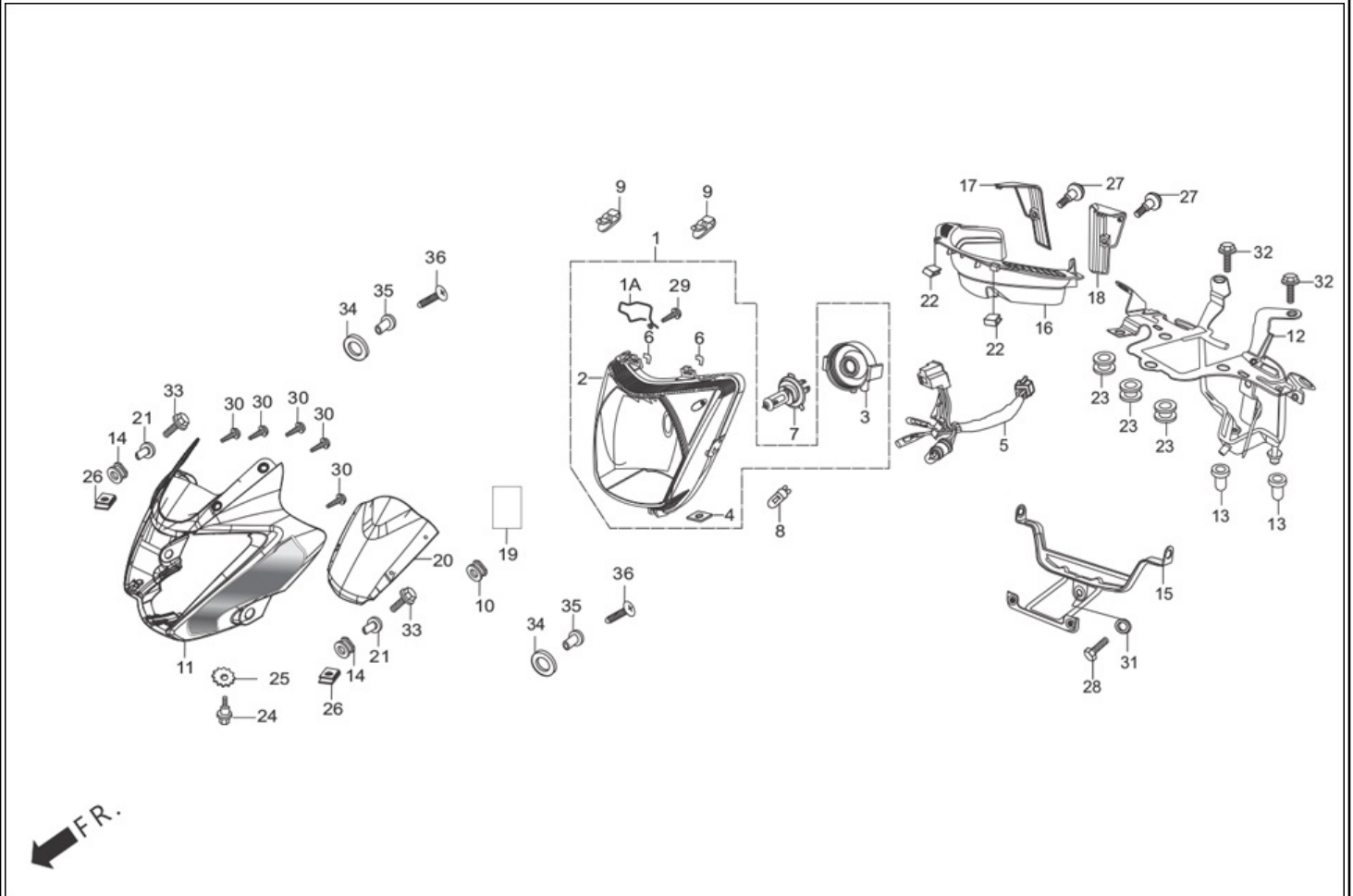
Ref No.	Part Number	Description	Req.
1	16010-KWA-931	GASKET SET	1
2	16012-AAF-000	NEEDLE SET, JET	1
3	16013-KRB-901	FLOAT, SET	1
4	16014-KPH-901	TOP SET	1
5	16015-KVW-921	CHAMBER SET, FLOAT	1
6	16016-KPH-651	SCREW SET	1
7	16022-KWA-931	VALVE SET THROTTLE	1
8	16028-KPH-901	SCREW, SET	1
9	16037-KPH-901	PLATE SET, VALVE	1
10	16060-KWA-933	SWITCH ASSY. THROTTLE	1
11	16163-GFP-901	GASKET FLOAT CHAMBER	1
12	16075-KTC-901	O-RING	1
13	16076-KPL-901	O-RING	1
14	16100-AAF-101	CARBURETTOR ASSY	1
15	16118-KST-901	CAP,CABLE SEALING	1
16	16148-KPL-901	CAP,CHOKE LEVER DUST	1
17	16155-KRS-861	VALVE COMP., FLOAT	1
18	16165-KWA-931	HOLDER NEEDLE JET	1
19	16199-KWA-931	TUBE AIR VENT	1
20	93892-04010-10	SCREW, WASH, 4X10	2
21	93892-04014-08L	SCREW-WASHER,4 X 14	2
22	95002-02089	CLIP, B1 8 TUBE	2
23	95002-02659	CLIP, B-1, 6.5 TUBE	1
24	95005-35260-50	TUBE OVERFLOW	1

E-13 : CARBURETTOR



25	99101-KWA-1050	JET, MAIN #105	1
26	99103-KTC-0350	JET, SLOW#35	1

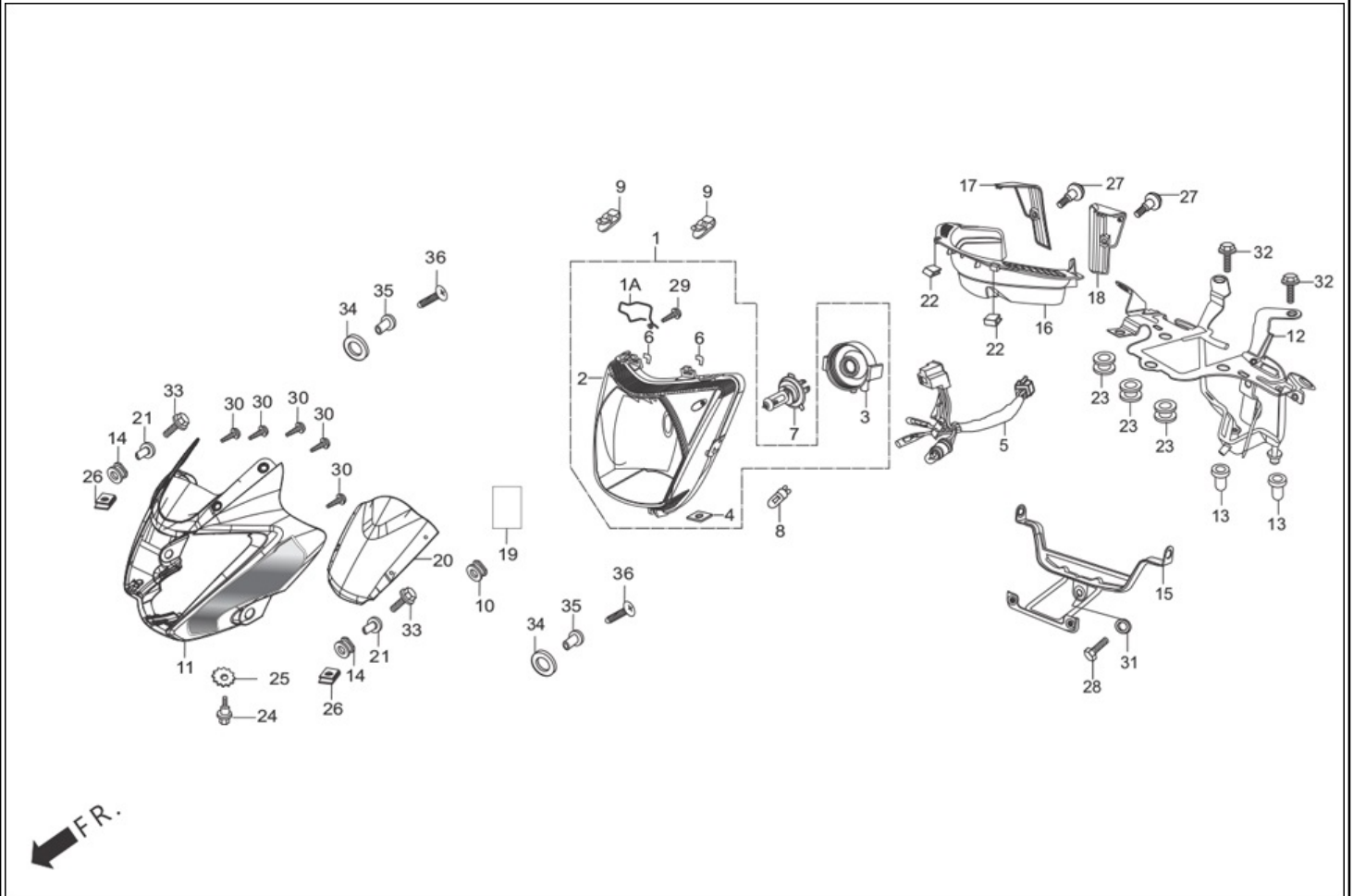
F-1 : HEAD LIGHT



Group Number: F-1 Model :: Splendor iSmart (May, 2014)

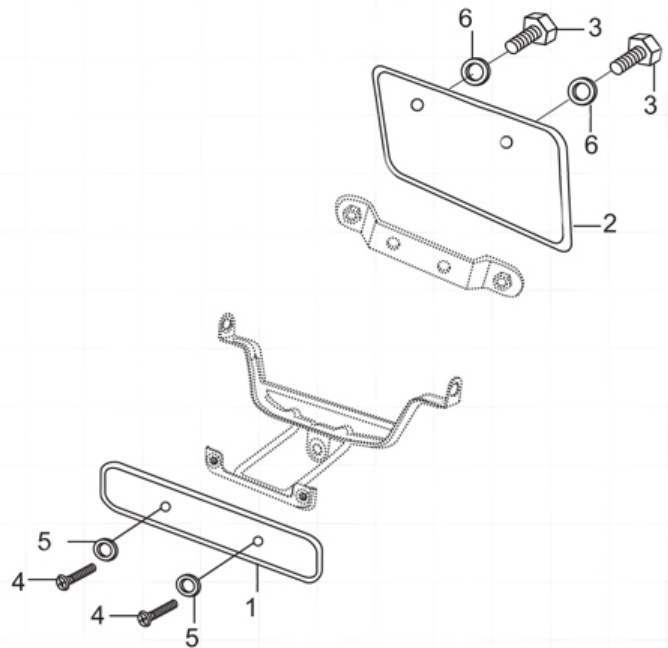
Ref No.	Part Number	Description	Req.
1	3310B-AAF-H01	LIGHT ASSY HEAD(W/O Bulb)	1
1A	33108-KRY-900	SPRING, SPC(BULB HOLDER)	1
2	33110-AAF-H01	UNIT, HEADLIGHT	1
3	33112-KVH-900	COVER, RUBBER	1
4	33128-KVH-900	NUT, SPECIAL	1
5	33150-KVH-900	SOCKET ASSY., HEAD LIGHT	1
6	33706-KVH-900	TUBE	2
7	34901-KSP-910	BULB, HEAD LIGHT	1
8	34920-AAG-300	BULB WEDGE BASE (T10 12V 3W)	1
9	53209-GAH-000	CLIP, HEADLIGHT	2
10	61105-KTC-900	RUBBER, FRONT FENDER MOUNTING	1
11	61300-AAF-100R	SET, FR. COWL (LEAF GREEN ME.).	1
	61300-AAF-100S	SET, FR. COWL (HEAVY GRAY ME.)	1
	61300-AAF-100T	SET, FR. COWL (SPORTS RED)	1
	61300-AAF-100U	SET, FR. COWL (VIBRANT BLUE ME.)	1
	61300-AAF-100V	SET, FR. COWL (BLK-NH1, TYPE-1)	1
	61300-AAF-100W	SET, FR. COWL (BLK-NH1, TYPE-2)	1
12	61311-KVH-900	STAY COMP., FR. COWL	1
13	61312-149-300	BOOT, HEADLIGHT BRACKET	2
14	61312-KVH-900	GROMMET FR. COWL SET	2
15	61315-KVH-900	STAY FRONT COWL LOWER	1
16	63403-AAF-000	PANEL CTR. INNER	1
17	63404-KVH-900	PANEL R. INNER	1
18	63414-KVH-900	PANEL L. INNER	1

F-1 : HEAD LIGHT



19	63421-KVH-950ZA	COWL FRONT INNER (BLACK)	1
20	64100-AAF-000	SET, WIND SCREEN	1
21	77201-KVH-900	COLLAR SEAT MTG.	2
22	77247-KCC-770	RUBBER, STOPPER	2
23	80101-443-000	RUBBER, RR. FENDER CUSHION	3
24	90103-KVH-900	BOLT, ADJUST	1
25	90307-GJ6-000	WASHER, LOCK, 6 MM	1
26	90311-KVH-900	NUT CLIP 6 MM	2
27	91509-GE2-760	SCREW, WASHER, 5 X 11.5	2
28	92000-06016-0A	BOLT, HEX., 6 X 16	1
29	93901-22310	SCREW, TAPPING, 3 X 12	1
30	93903-34380	SCREW, TAPPING, 4X12	5
31	94103-06000	WASHER PLAIN,6MM	1
32	95701-06025-00	BOLT, FLANGE, 6X 25	2
33	96001-06016-07	BOLT, FLANGE, SH. 6 X 16	2
34	90504-964-000	WASHER, THRUST, 5MM	4
35	90111-KW3-000	NUT COWL SET M5X0.8	4
36	90109-SB6-000	SCREW, TRUSS, 5X14	4

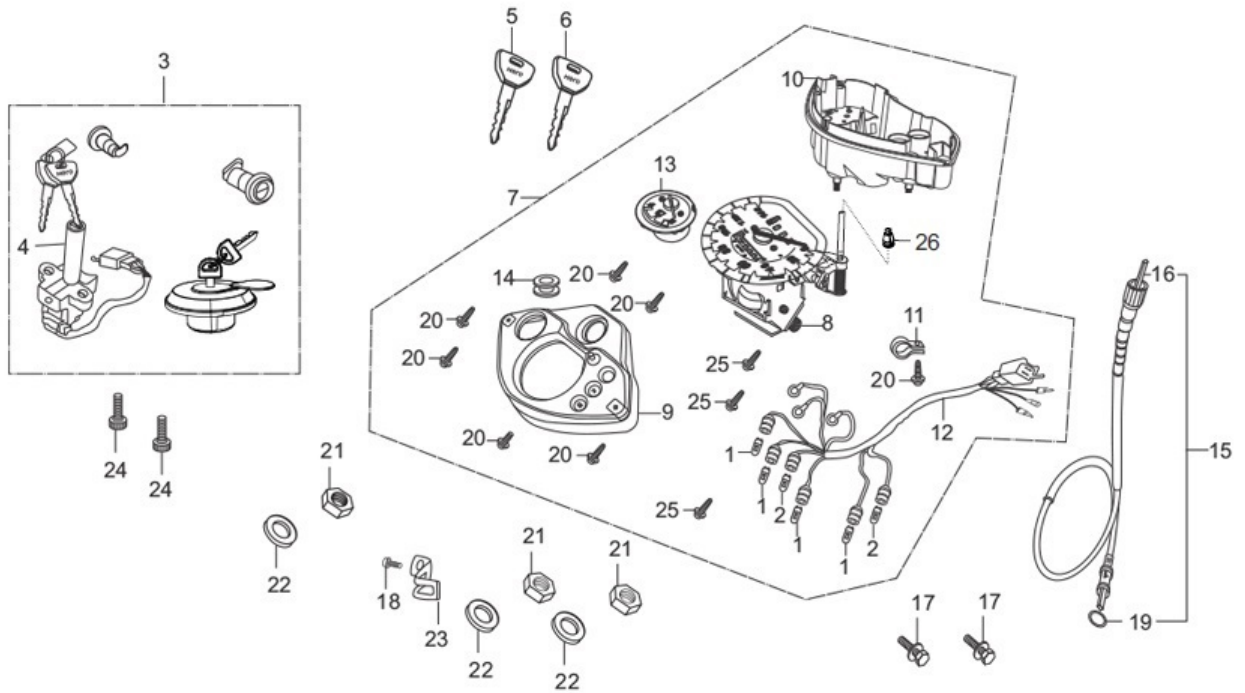
F-1A : NUMBER PLATE OPTIONAL



Group Number: F-1A Model :: Splendor iSmart (May, 2014)

Ref No.	Part Number	Description	Req.
1	64310-198-D20A	PLATE, FRONT NUMBER	1
2	84701-P26-D00A	NUMBER, PLATE REAR	1
3	92000-06012-0A	BOLT,HEX.,6X12	2
4	93500-05010-1A	SCREW, PAN, 5X10	2
5	94101-05000	WASHER , PLAIN, 5MM	2
6	94101-06000	WASHER, PLAIN, 6 MM	2

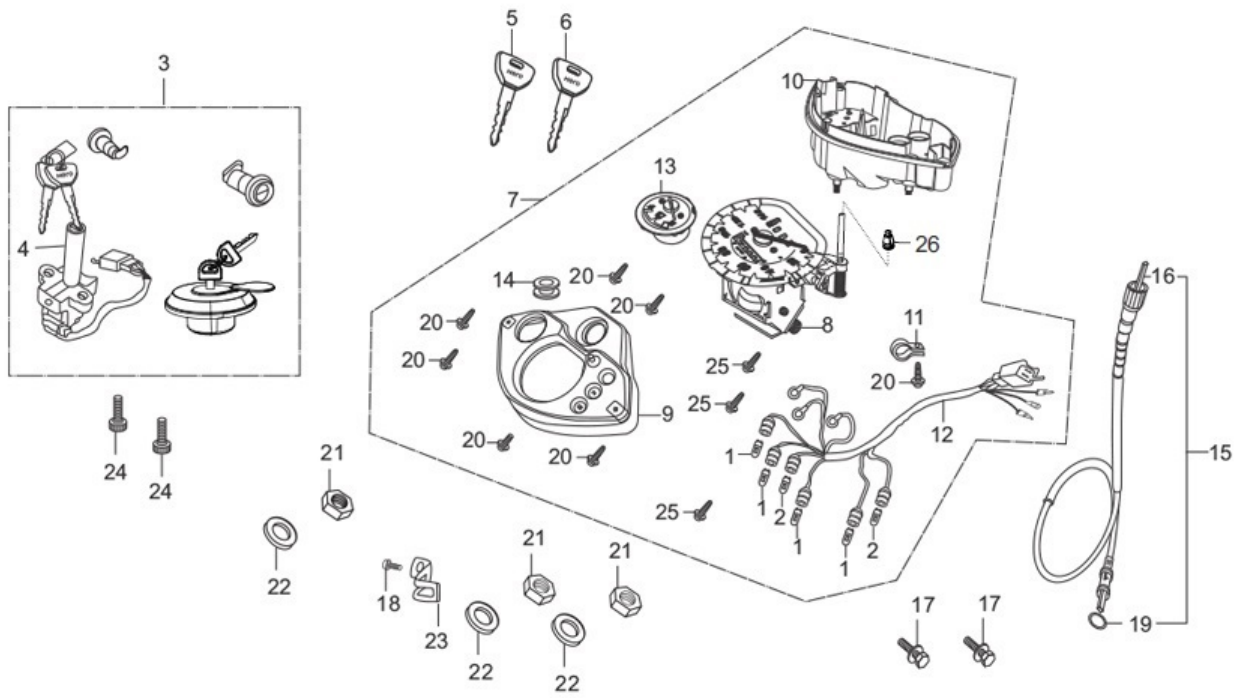
F-2 : SPEEDOMETER / CABLE / KEY SET



Group Number: F-2 Model :: Splendor iSmart (May, 2014)

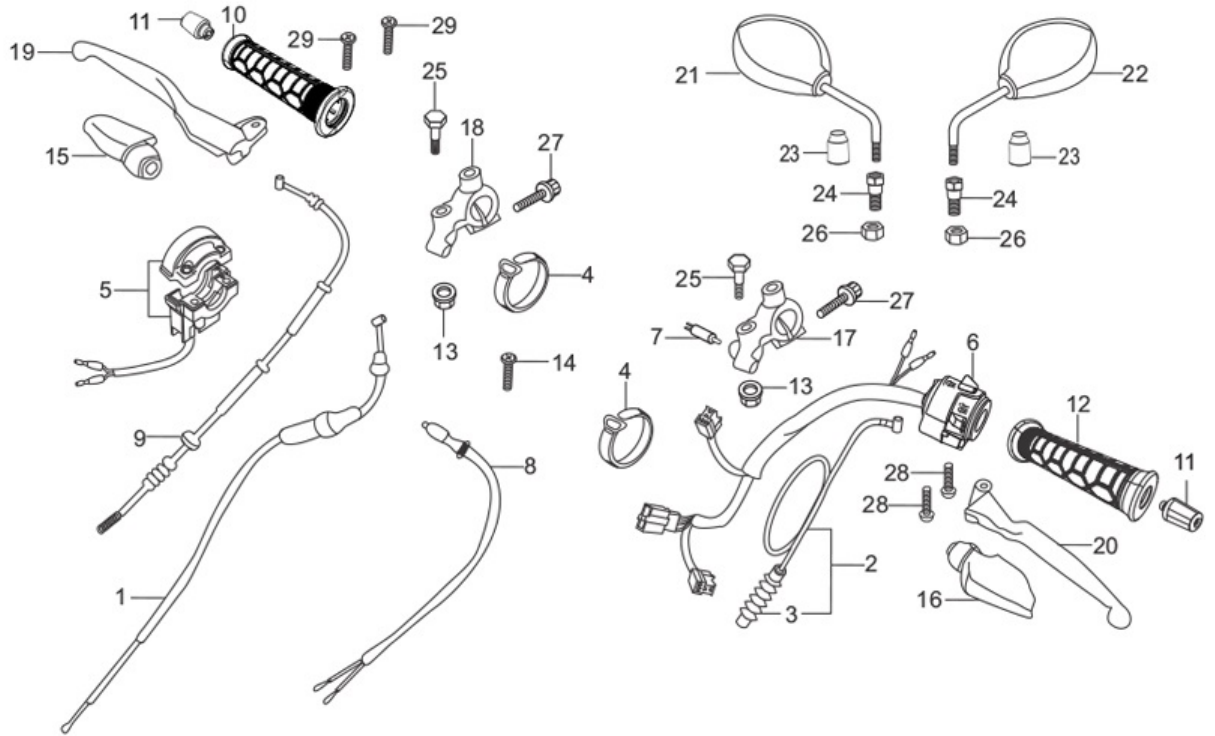
Ref No.	Part Number	Description	Req.
1	34908-KVE-900	BULB, WEDGE BASE T10 (12V - 1.7 W)	4
2	34909-KVH-900	BLUB WEDGE BASE (12V-3.0W)	2
3	35010-AAF-H01	KEY SET	1
4	35100-AAF-H00	SW ASSY., COMB & LOCK	1
5	35121-AAF-H00	KEY BLANK NO 1	1
6	35122-AAF-H00	KEY BLANK NO 2	1
7	37100-AAF-041	METER ASSY. COMB	1
8	37200-AAF-041	SPEEDOMETER COMP.	1
9	37211-AAF-041	CASE UPPER ASSY.	1
10	37212-AAF-H01	CASE LOWER ASSY.	1
11	37215-MB6-830	CLAMP	1
12	37223-AAF-041	SOCKET COMP.	1
13	37300-AAF-041	FUEL METER COMP.	1
14	37312-KTE-910	GROMMET, COMB SW.	1
15	44830-KVH-900	CABLE COMP. SPEEDOMETER	1
16	44831-KVH-900	CABLE, INNER	1
17	90107-GZ4-670	BOLT, BREAK OFF	2
18	90109-MZ5-008	SCREW, TAPPING, 4 X 14	1
19	91352-GAZ-930	O-RING 8.5X11.5	1
20	93903-22420	SCREW,TAPPING,3 X 16	7
21	94001-06070-0S	NUT, HEX., 6 MM	3
22	94103-06700	WASHER, PLAIN, 6 MM	3
23	94591-45000	CLIP 4 X 50	1
24	96700-08020-00	BOLT SOCKET, 8 MM	2

F-2 : SPEEDOMETER / CABLE / KEY SET



25	37305-KE5-000	SCREW, WASH, 3 X 22	3
26	37100-AAF-0410-20	GROMMET (TRIP)	1

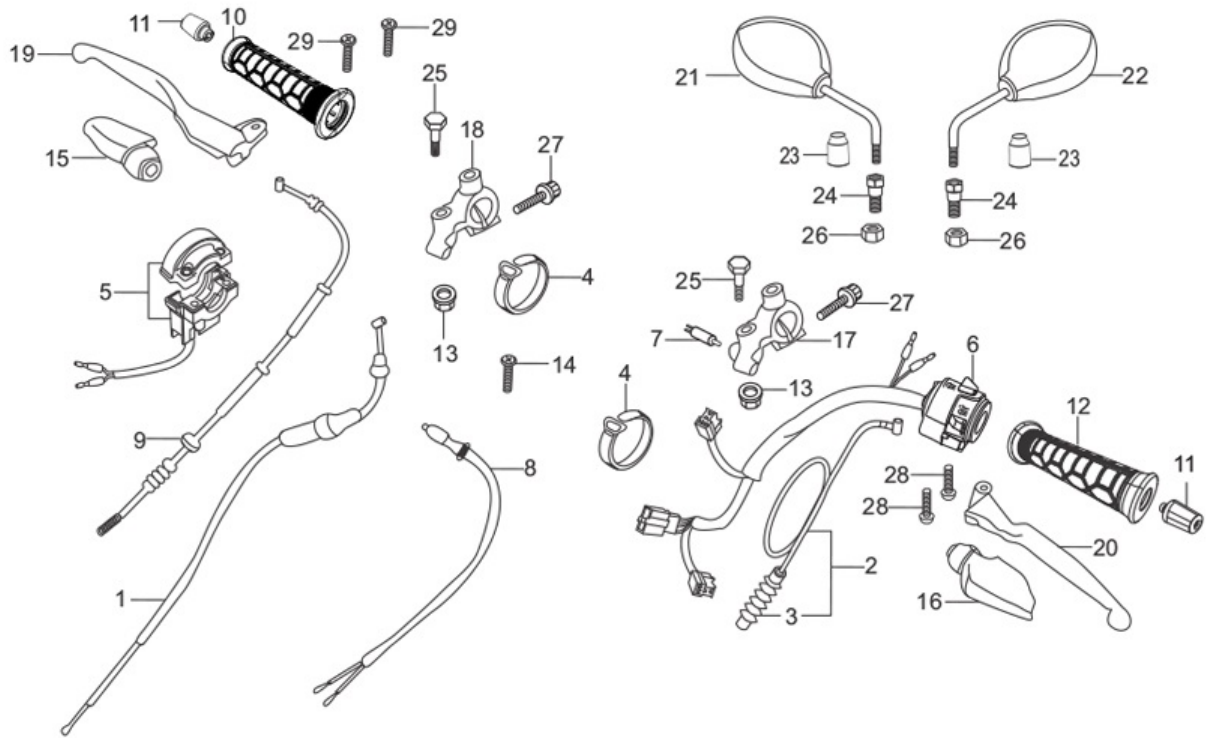
F-3-SELF : HANDEL LEVER / SWITCH / CONTROL CABLE



Group Number: F-3-SELF Model :: Splendor iSmart (May, 2014)

Ref No.	Part Number	Description	Req.
1	17910-KVH-760	CABLE COMP., THROTTLE	1
2	22870-KWA-910	CABLE COMP., CLUTCH	1
3	22871-116-670	BOOT, CLUTCH CABLE	1
4	32161-404-000	BAND B-1,WIRE	2
5	35150-AAF-041	SW. ASSY. START & I3S	1
6	35200-KVH-870	SWITCH ASSY. WINKER	1
7	35330-413-003	SW. COMP., FR. LEVER	1
8	35340-KST-950	SWITCH ASSY., FR. STOP	1
9	45450-AAJ-100	CABLE COMP FR BRAKE	1
10	53140-AAF-000	GRIP COMP. THROTTLE	1
11	53105-KRC-900	END STRG. HANDLE	2
12	53166-AAF-000	GRIP L HANDLE	1
13	94050-06000	NUT, FLANGE, 6 MM	2
14	93901-22220	TAPPING SCREW 3X10	1
15	53171-KCC-900	COVER R HANDLE LEVER	1
16	53179-KTC-900	COVER L HANDLE LEVER	1
17	53172-KTC-920	BRACKET, L HANDLE LEVER	1
18	53173-KTR-A20	BRACKET., R. HANDLE LEVER	1
19	53175-AAF-H00	LEVER COMP.R STRG.HNDL.	1
20	53178-AAF-H00	LEVER COMP.L STRG.HNDL.	1
21	88110-AAF-0000	MIRROR ASSY R BACK(MGM,NH-303M)	1
22	88120-AAF-0000	MIRROR ASSY L BACK(MGM,NH-303M)	1
23	88114-198-D10	CAP, LOCK NUT	2
24	90003-MY5-720	BOLT,ADPT.10MM	2

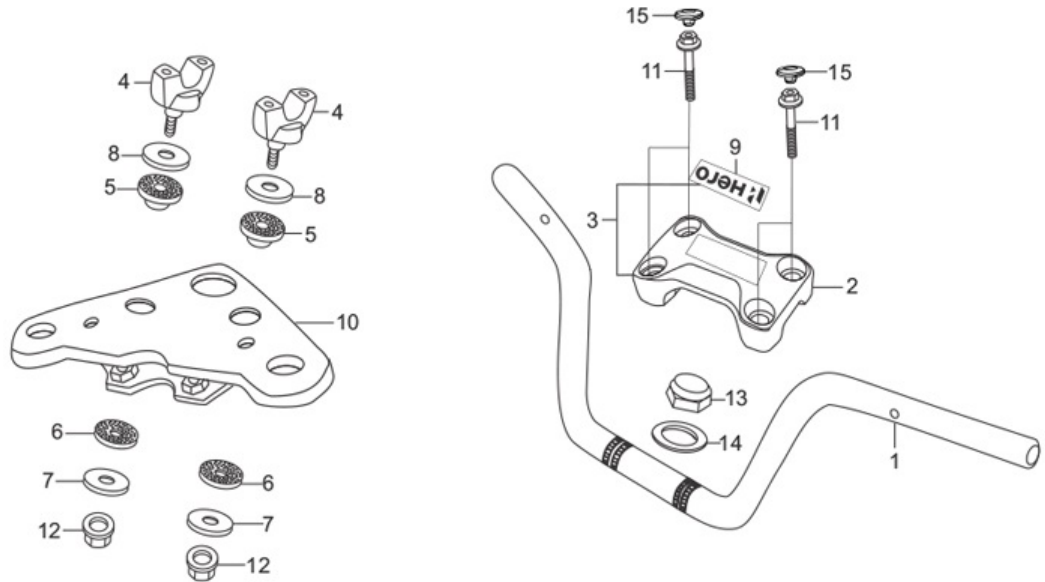
F-3-SELF : HANDEL LEVER / SWITCH / CONTROL CABLE



FR.

25	90114-310-000	BOLT, HANDLE LEVER PIVOT	2
26	90201-MW3-620	NUT, HEX., 10MM	2
27	92101-06025-0G	BOLT, HEX 6 X 25	2
28	93500-05020-0G	SCREW, PAN, 5 X 20	2
29	93500-05022-1G	SCREW, PAN, 5 X 22	2

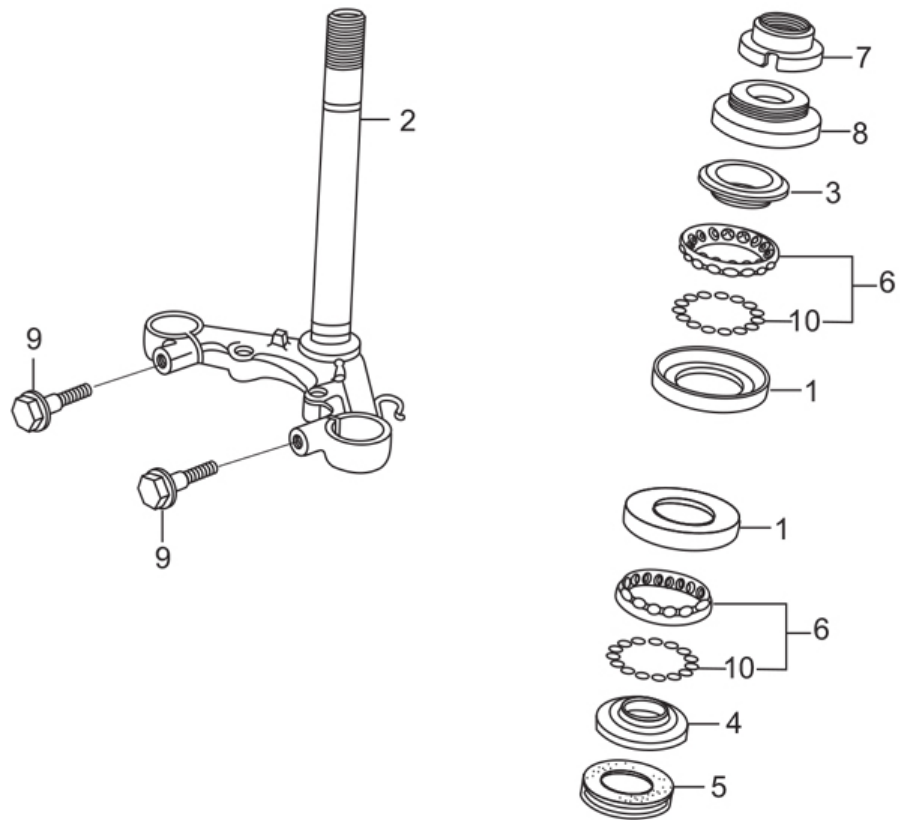
F-4 : HANDLE PIPE/TOP BRIDGE



Group Number: F-4 Model :: Splendor iSmart (May, 2014)

Ref No.	Part Number	Description	Req.
1	53100-AAF-040	PIPE STRG. HANDLE	1
2	53131-KTR-A20	HOLDER, HANDLE UP	1
3	5313A-AAN-H20	HOLDER HANDLE UP.SUB ASSY.	1
4	53132-124-000	HOLDER, HANDLE PIPE UNDER	2
5	53133-198-900	RUBBER, HANDLE CUSHION UPPER	2
6	53134-028-000	RUBBER, HANDLE CUSHION UNDER	2
7	53135-198-900	WASHER, HANDLE CUSHION	2
8	53136-198-900	PLATE, HANDLE CUSHION	2
9	53132-KZN-900	EMBLEM HANDLE RR COVER	1
10	53230-KST-950	BRIDGE COMP., FORK TOP	1
11	90102-KVN-900	BOLT, SP. FLANGE SOCKET 6 X 22	4
12	90304-KST-942	NUT FLG.PT 10MM	2
13	90304-KSP-900	NUT, STEERING STEM	1
14	90503-KTR-900	WASHER, STEERING STEM	1
15	91455-MG8-000	CAP, SOC BOLT 6 MM	4

F-5 : STEERING STEM

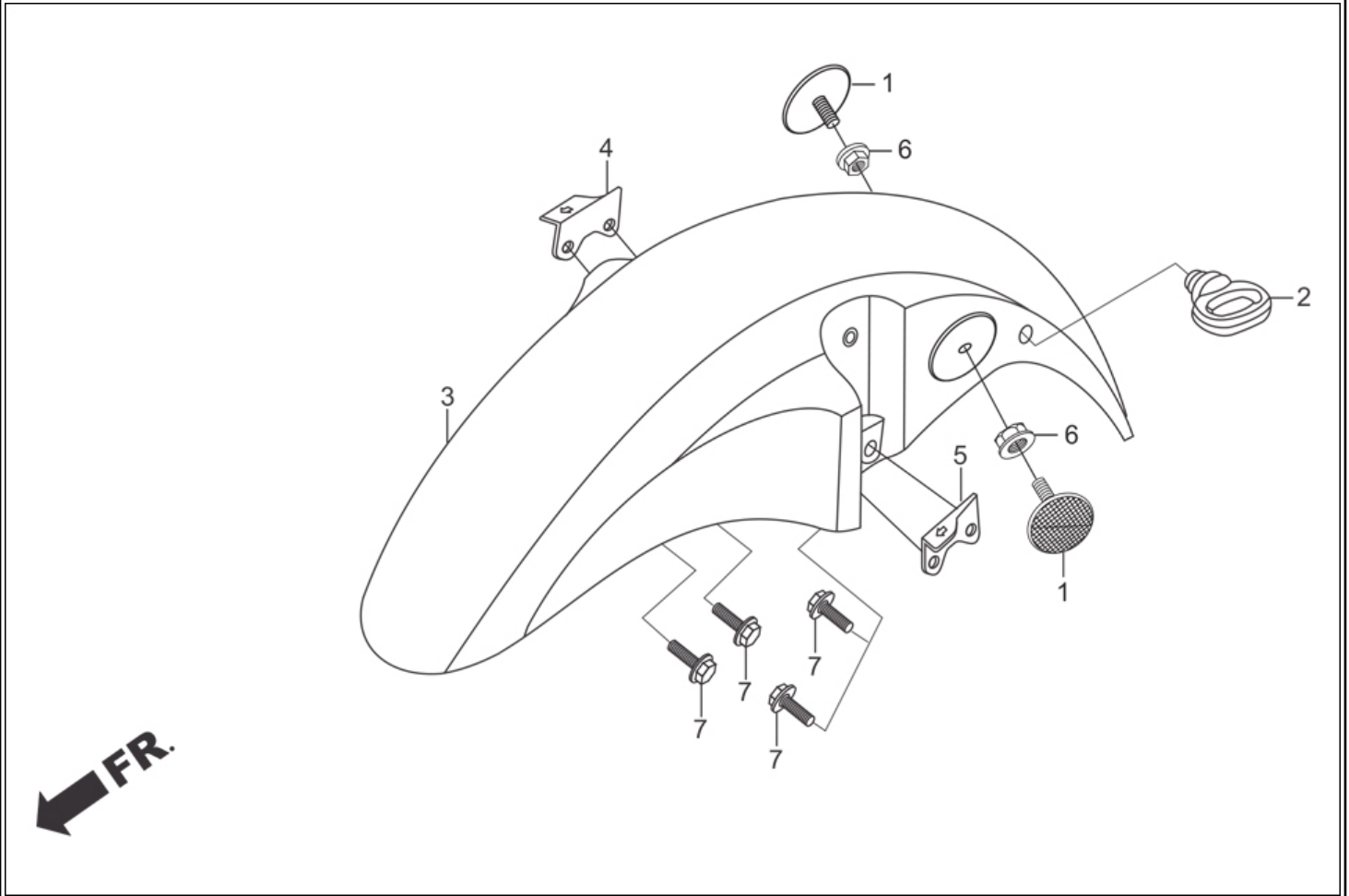


FR.

Group Number: F-5 Model :: Splendor iSmart (May, 2014)

Ref No.	Part Number	Description	Req.
1	50301-KTR-900	RACE, STEERING BALL	2
2	53200-AAD-000	STEM COMP STRG	1
3	53211-268-010	RACE, STEERING TOP CONE	1
4	53212-200-000	RACE, STEERING BOTTOM CONE	1
5	53214-200-000	DUST SEAL, STEERING HEAD	1
6	53215-KTR-900	BALL, ASSY. STEERING	2
7	53221-KTR-900	THREAD, STEERING HEAD TOP	1
8	53222-KTR-900	MUD GUARD, STEERING HEAD TOP	1
9	95701-08040-00	BOLT, FLANGE, 8 X 40	2
10	96211-08000	BALL STEEL 8 MM	16

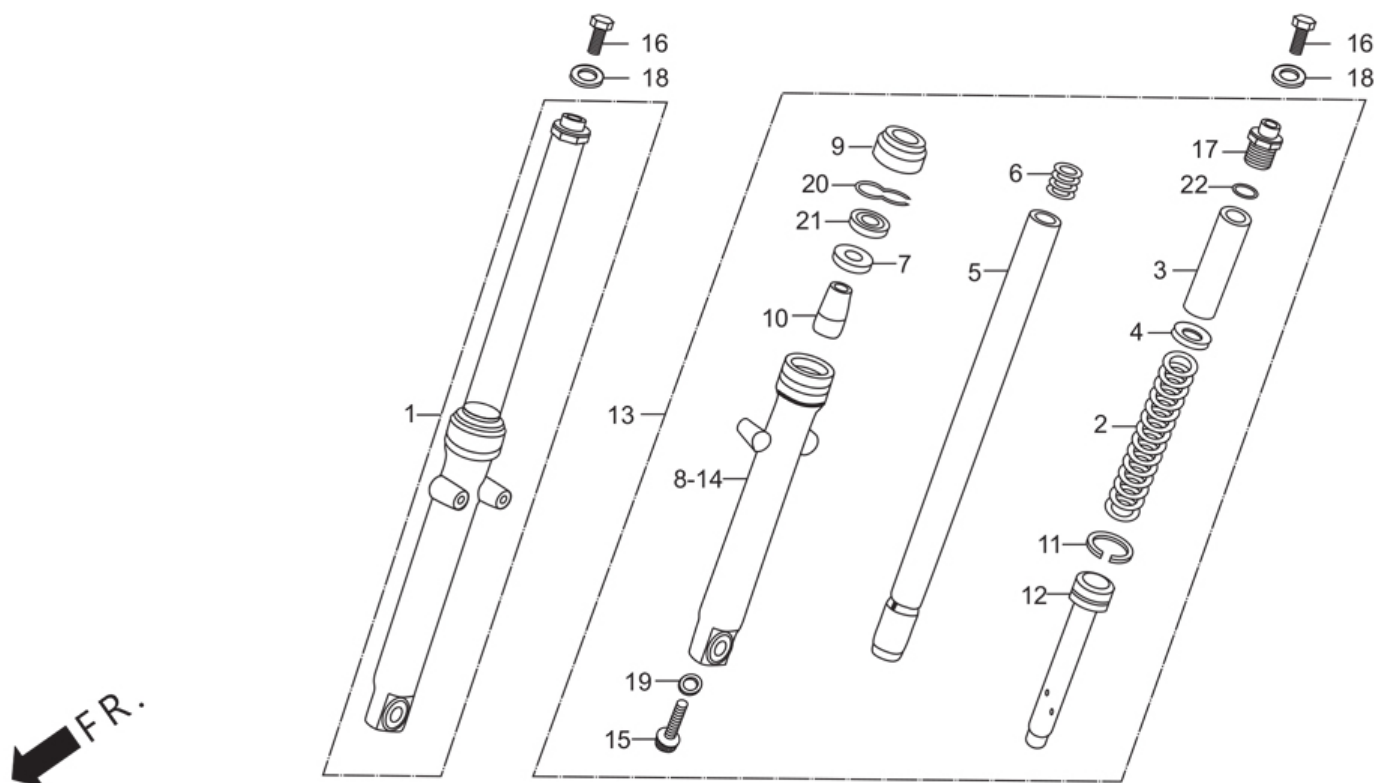
F-6 : FRONT FENDER



Group Number: F-6 Model :: Splendor iSmart (May, 2014)

Ref No.	Part Number	Description	Req.
1	33741-KAK-971	REFLEX, LEFT FRONT	2
2	45451-KCC-900	GUIDE, FR. FENDER CABLE	1
3	61100-AAF-000R	FENDER COMP FR(LGM,GY-141M)	1
	61100-AAF-000S	FENDER COMP FR(HGM,NH-194M-U)	1
	61100-AAF-000T	FENDER COMP FR(SRD,R-321)	1
	61100-AAF-000U	FENDER COMP FR(VBM,PB-374M)	1
	61100-AAF-100W	FENDER COMP FR(BLK-NH1, TYPE-2)	1
4	61103-KST-940	COLLER, FR. FENDER R	1
5	61104-KST-940	COLLER, FR. FENDER L	1
6	94050-06000	NUT, FLANGE, 6 MM	2
7	95701-06020-08	BOLT, FLANGE, 6 X 20	4

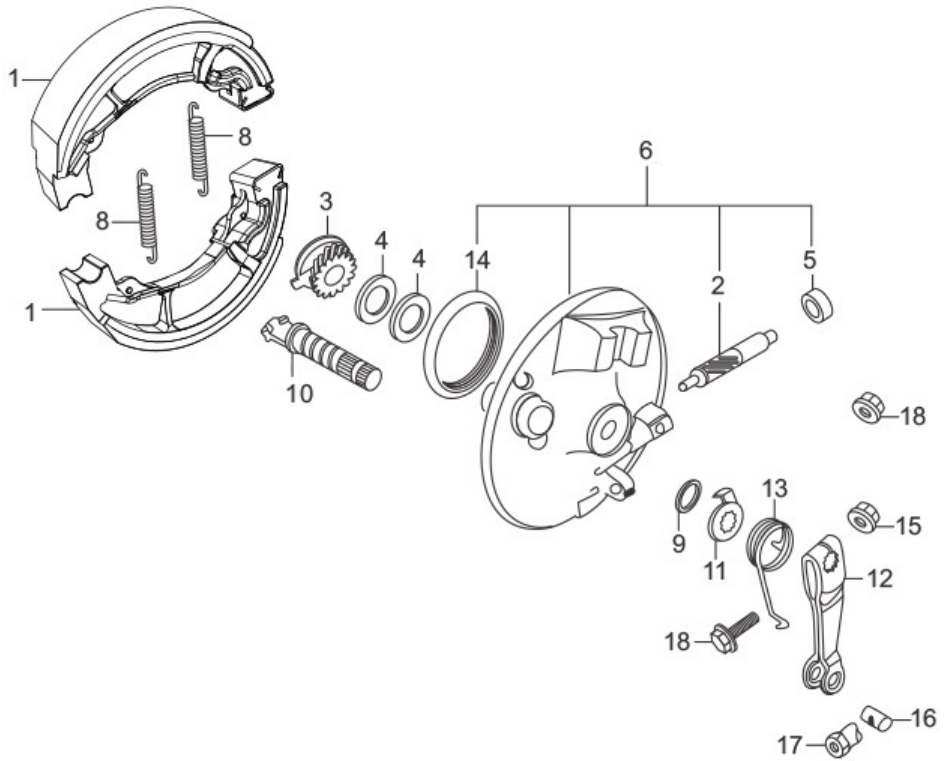
F-7 : FRONT FORK



Group Number: F-7 Model :: Splendor iSmart (May, 2014)

Ref No.	Part Number	Description	Req.
1	51400-KTR-A01	FORK ASSY., RFR.	1
2	51401-KST-941	SPRING, FR. CUSHION	2
3	51403-KCC-900	COLLAR, SPRING	2
4	51403-447-730	JOINT, SPRING	2
5	51410-KWA-941	PIPE COMP. FR. FORK	2
6	51412-KAG-900	SPRING, REBOUND	2
7	51412-KWA-941	RING BACKUP	2
8	51420-KTR-A01	CASE, RFR. BOTTOM	1
9	51425-KST-901	SEAL, DUST	2
10	51432-KST-901	PIECE, OIL LOCK	2
11	51437-KVN-901	RING, PISTON	2
12	51440-KTR-901	PIPE, SEAT	2
13	51500-KTR-A01	FORK ASSY., LFR.	1
14	51520-KTR-A01	CASE, LFR. BOTTOM	1
15	90116-KAG-900	BOLT, SOCKET, 8 MM	2
16	90123-KRM-860	BOLT, FR. FORK	2
17	90123-KST-941	BOLT, A FR. FORK	2
18	90521-292-000	WASHER, PLAIN, 10.3 MM	2
19	90544-439-930	WASHER, SPECIAL, 8 MM	2
20	90601-GF5-730	RING, OIL SEAL STOPPER	2
21	91255-KWA-941	SEAL OIL 30×42×11	2
22	91356-KAG-900	O - RING	2

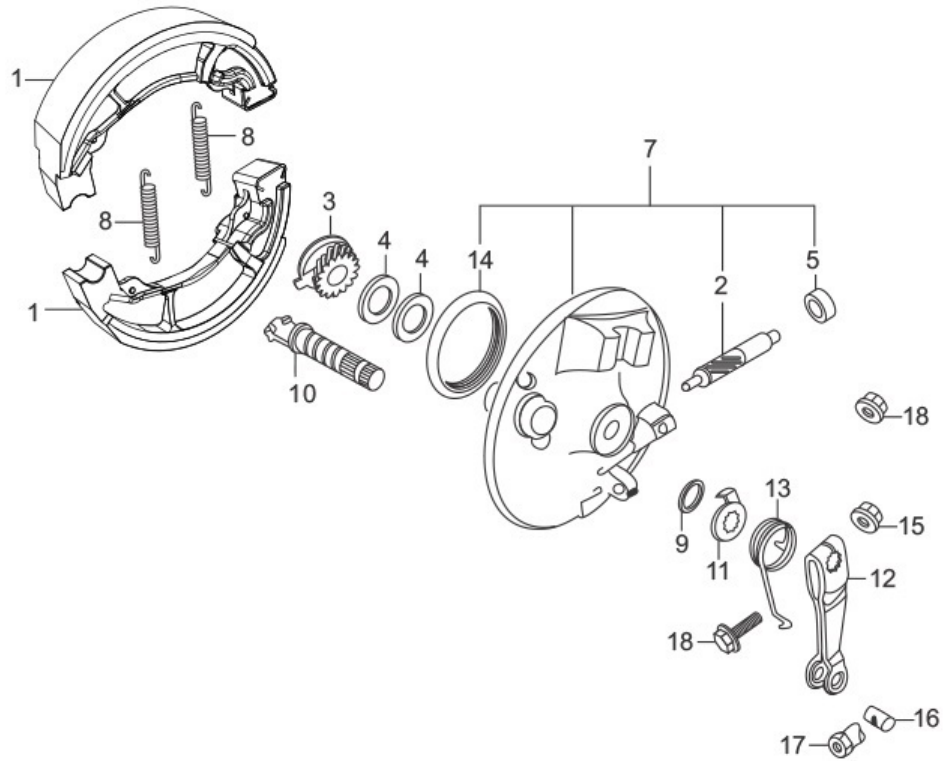
F-8-CAST : FR. BRAKE PANEL



Group Number: F-8-CAST Model :: Splendor iSmart (May, 2014)

Ref No.	Part Number	Description	Req.
1	45125-AAH-F0099	SHOE COMP BRAKE	2
	45125-AAH-F0099	SHOE COMP BRAKE	2
2	44805-KTC-900	PINION, SPEEDOMETER	1
3	44806-KST-900	GEAR, SPEEDOMETER	1
4	44809-170-000	WASHER, SPEEDOMETER GEAR	2
5	44810-KTC-900	BUSH, PINION	1
6	45010-AAC-030	PANEL SUB FRONT BRAKE	1
8	45133-KCC-900	SPRING, FR. BRAKE SHOE	2
9	45134-250-000	DUST SEAL, BRAKE CAM	1
10	45141-KTC-900	CAM FR. BRAKE	1
11	45145-096-650	INDICATOR, FR. BRAKE	1
12	45410-KTR-A20	ARM, FR. BRAKE	1
13	45435-GB2-720	SPRING, BRAKE ARM RETURN	1
14	91251-GK4-000	OIL SEAL, 47X60X7	1
15	94050-06000	NUT, FLANGE, 6 MM	1
16	95015-32001	JOINT B BRAKE ARM	1
17	95015-42000	NUT B ADJUST	1
18	95701-06032-00	BOLT, FLANGE, 6 X 32	1

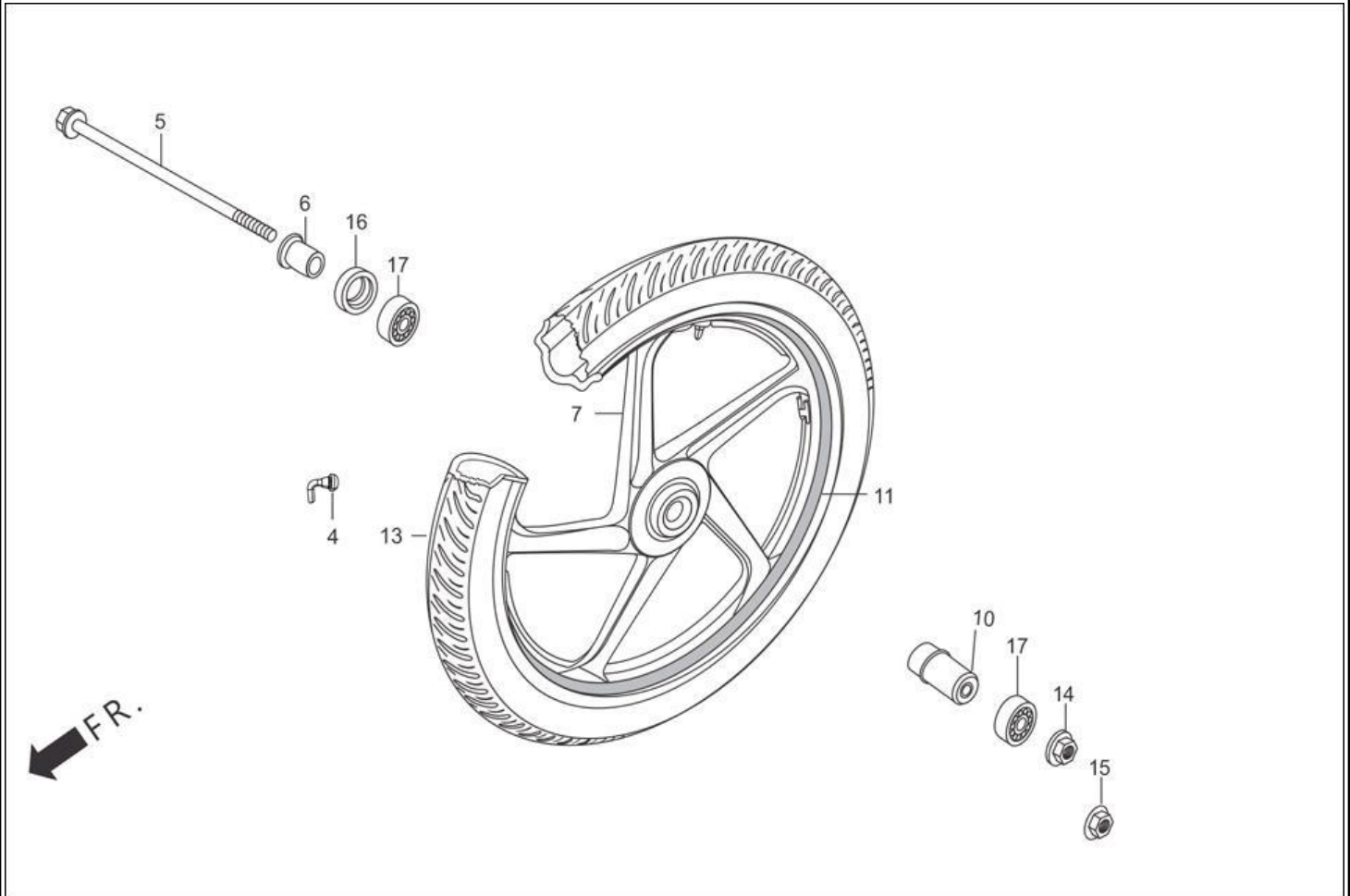
F-8-SPOKE : FR. BRAKE PANEL



Group Number: F-8-SPOKE Model :: Splendor iSmart (May, 2014)

Ref No.	Part Number	Description	Req.
1	45125-AAH-F0099	SHOE COMP BRAKE	2
	45125-AAH-F0099	SHOE COMP BRAKE	2
2	44805-KTC-900	PINION, SPEEDOMETER	1
3	44806-KST-900	GEAR, SPEEDOMETER	1
4	44809-170-000	WASHER, SPEEDOMETER GEAR	2
5	44810-KTC-900	BUSH, PINION	1
7	45010-AAD-000	PANEL SUB COMP. FR. BRAKE	1
8	45133-KCC-900	SPRING, FR. BRAKE SHOE	2
9	45134-250-000	DUST SEAL, BRAKE CAM	1
10	45141-KTC-900	CAM FR. BRAKE	1
11	45145-096-650	INDICATOR, FR. BRAKE	1
12	45410-KTR-A20	ARM, FR. BRAKE	1
13	45435-GB2-720	SPRING, BRAKE ARM RETURN	1
14	91251-GK4-000	OIL SEAL, 47X60X7	1
15	94050-06000	NUT, FLANGE, 6 MM	1
16	95015-32001	JOINT B BRAKE ARM	1
17	95015-42000	NUT B ADJUST	1
18	95701-06032-00	BOLT, FLANGE, 6 X 32	1

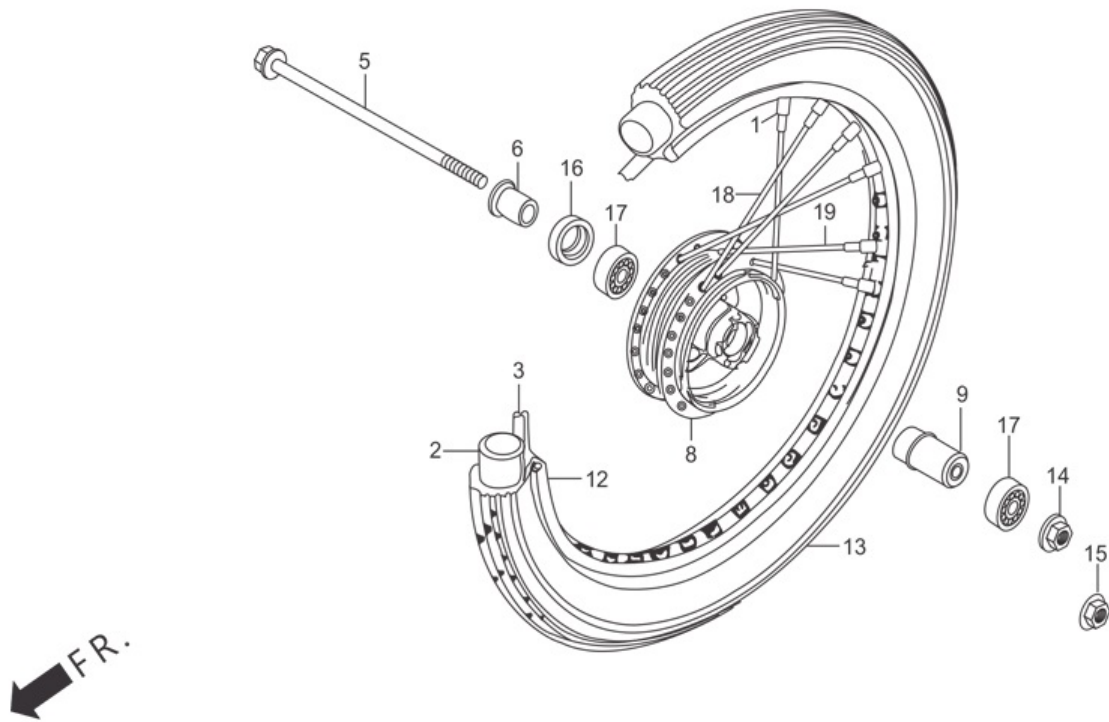
F-9-CAST : FRONT WHEEL



Group Number: F-9-CAST Model :: Splendor iSmart (May, 2014)

Ref No.	Part Number	Description	Req.
2	42712-KCS-920	TUBE, TYRE (2.75 X 18)	1
4	42753-KWF-901	RIM, VALVE	1
5	44301-KTR-700	AXLE, FR. WHEEL	1
6	44311-KRC-900	COLLAR, FR. WHEEL SIDE	1
7	44601-AAF-030	WHEEL COMP FR	1
10	44620-400-000	COLLAR, FRONT DISTANCE	1
11	44622-AAF-001	WHEEL TAPE	2
14	90306-KTE-911	NUT, CASTLE, 12 MM	1
15	90306-KST-942	NUT, CASTLE, 12 MM	1
16	91251-KPH-901	DUST SEAL, 21 X 37 X 7	1
17	96140-63010-10	BEARING, RADIAL BALL, 6301U	2

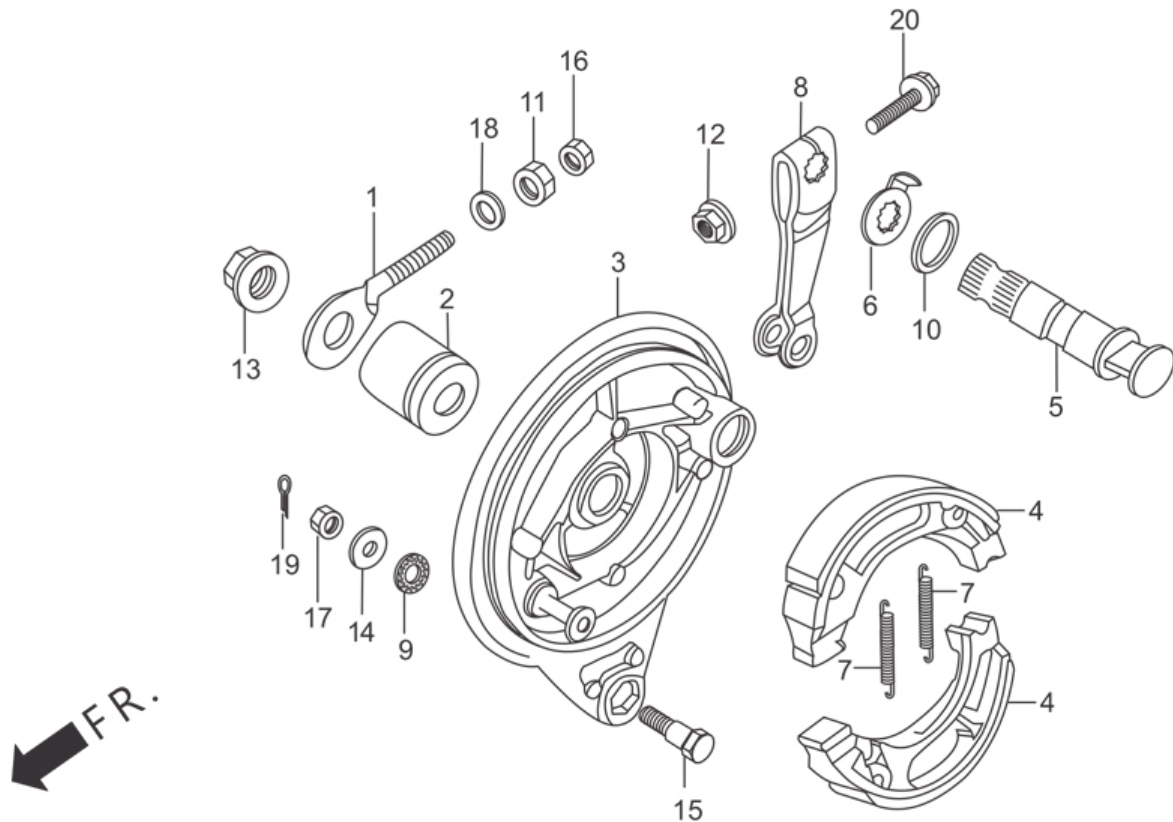
F-9-SPOKE : FRONT WHEEL



Group Number: F-9-SPOKE Model :: Splendor iSmart (May, 2014)

Ref No.	Part Number	Description	Req.
1	42603-198-900	NIPPLE, SPOKE-9	36
2	42712-KCS-920	TUBE, TYRE (2.75 X 18)	1
3	42713-198-900	FLAP, TIRE (1.60-18 U)	1
5	44301-KTR-700	AXLE, FR. WHEEL	1
6	44311-KRC-900	COLLAR, FR. WHEEL SIDE	1
8	44601-KTR-940Z	HUB COMP., FR. WHEEL (CSM)	1
9	44620-198-900	COLLAR, FR. AXLE DISTANCE	1
12	44701-AAC-H00	RIM FRONT WHEEL	1
13	44711-KFN-850R	TYRE, FR. (2.75-18 42P)	1
14	90306-KTE-911	NUT, CASTLE, 12 MM	1
15	90306-KST-942	NUT, CASTLE, 12 MM	1
16	91251-KPH-901	DUST SEAL, 21 X 37 X 7	1
17	96140-63010-10	BEARING, RADIAL BALL, 6301U	2
18	97252-51162-10	SPOKE, A 9 X 161	18
19	97603-51162-10	SPOKE, A 9 X 161	18

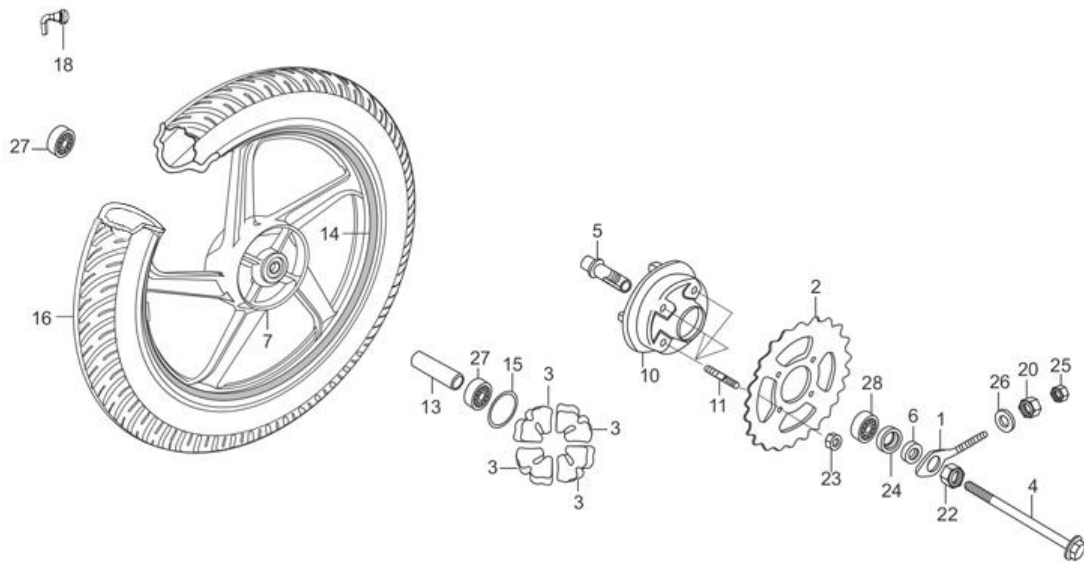
F-10 : REAR BRAKE PANEL



Group Number: F-10 Model :: Splendor iSmart (May, 2014)

Ref No.	Part Number	Description	Req.
1	40543-198-900	ADJUSTER, R CHAIN	1
2	42313-198-900	COLLAR, RR. BRAKE PANEL SIDE	1
3	43100-153-600H	PANEL COMP.RR BRAKE	1
4	43125-KST-940	SHOE COMP. BRAKE	2
5	43141-KST-920	CAM , RR. BRAKE	1
6	43145-GC5-000	INDICATOR, RR. BRAKE	1
7	43151-110-000	SPRING, BRAKE SHOE	2
8	43410-KST-940	ARM RR. BRAKE	1
9	43434-286-000	RUBBER, STOPPER ARM CUSHION	1
10	45134-250-000	DUST SEAL, BRAKE CAM	1
11	90302-KBP-900	NUT SPL 6 MM	1
12	90302-KTE-911	NUT FLANGE PT 6MM	1
13	90306-KTE-911	NUT, CASTLE, 12 MM	1
	90306-KST-942	NUT, CASTLE, 12 MM	1
14	90505-425-000	WASHER, 8 MM	1
15	92811-10000	BOLT A BRAKE STOPPER	1
16	94001-06000-0S	NUT, HEX., 6 MM	1
17	94001-08000-0S	NUT, HEX., 8 MM	1
18	94101-06000	WASHER, PLAIN, 6 MM	1
19	94201-20150	PIN, SPLIT, 2.0 X 15	1
20	95701-06035-00	BOLT, FLANGE, 6X35	1

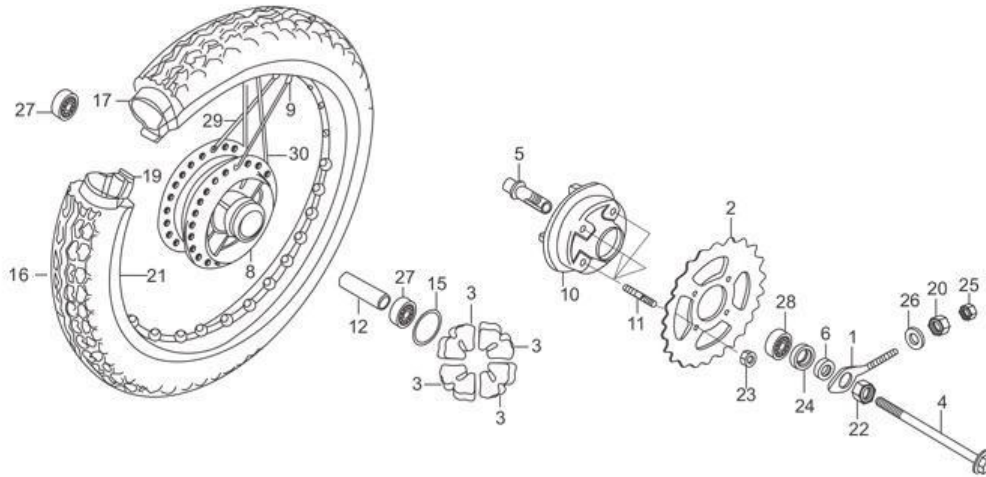
F-11-CAST : REAR WHEEL



Group Number: F-11-CAST Model :: Splendor iSmart (May, 2014)

Ref No.	Part Number	Description	Req.
1	40544-198-900	ADJUSTER, L CHAIN	1
2	41201-KST-940	SPROCKET, FINAL DRIVEN (44T)	1
3	41241-KST-941	DAMPER, RR. WHEEL	4
4	42301-ABA-000	AXLE RR WHEEL	1
5	42303-KST-940	SLEEVE RR. WHEEL	1
6	42304-198-900	COLLAR, RR.AXLE SLEEVE	1
7	42601-AAF-030	WHEEL COMP. RR	1
10	42611-KST-940	FLANGE, FINAL DRIVEN	1
11	42615-198-900	BOLT, STUD., 8 X 42	4
13	42620-GB6-920	COLLAR, RR AXLE DISTANCE	1
14	42622-AAF-001	WHEEL TAPE	2
15	42653-001-000	O-RING 40.5 X 3	1
16	42711-AAF-00099	TYRE, REAR	1
17	42712-KCS-920	TUBE, TYRE (2.75 X 18)	1
18	42753-KWF-901	RIM, VALVE	1
20	90302-KBP-900	NUT SPL 6 MM	1
22	90307-001-000	NUT ,RR. AXLE SLEEVE	1
23	90309-357-000	NUT, HEX .,8MM	4
24	90753-029-000	OIL SEAL, 27 X 40 X 6	1
25	94001-06000-0S	NUT, HEX., 6 MM	1
26	94101-06000	WASHER, PLAIN, 6 MM	1
27	96140-63010-10	BEARING, RADIAL BALL, 6301U	2
28	96150-62030-10	BEARING, BALL RADIAL, 6203 (UU)	1

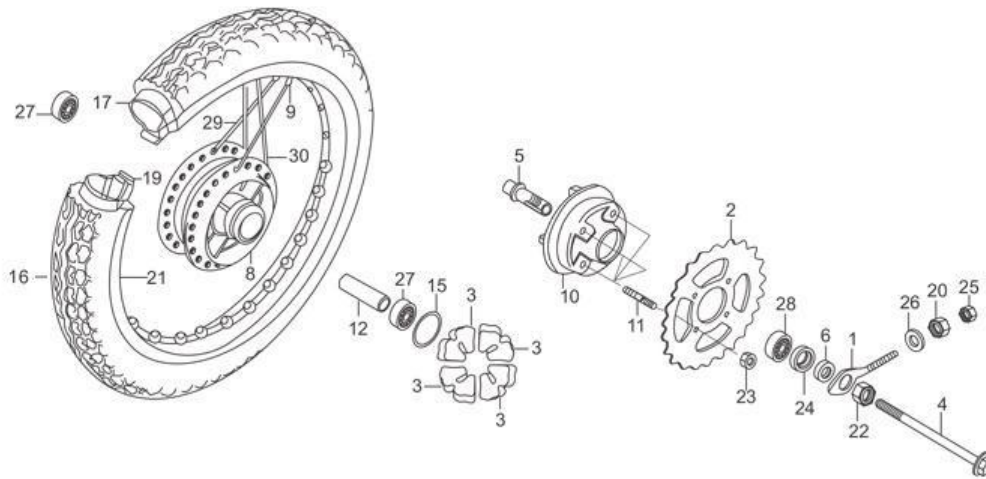
F-11-SPOKE : REAR WHEEL



Group Number: F-11-SPOKE Model :: Splendor iSmart (May, 2014)

Ref No.	Part Number	Description	Req.
1	40544-198-900	ADJUSTER, L CHAIN	1
2	41201-KST-940	SPROCKET, FINAL DRIVEN (44T)	1
3	41241-KST-941	DAMPER, RR. WHEEL	4
4	42301-ABA-000	AXLE RR WHEEL	1
5	42303-KST-940	SLEEVE RR. WHEEL	1
6	42304-198-900	COLLAR, RR.AXLE SLEEVE	1
8	42601-KST-940	HUB, RR .WHEEL	1
9	42603-198-900	NIPPLE, SPOKE-9	36
10	42611-KST-940	FLANGE, FINAL DRIVEN	1
11	42615-198-900	BOLT, STUD., 8 X 42	4
12	42620-198-900	COLLAR, RR AXLE DISTANCE	1
15	42653-001-000	O-RING 40.5 X 3	1
16	42711-AAF-00099	TYRE, REAR	1
17	42712-KCS-920	TUBE, TYRE (2.75 X 18)	1
19	42713-198-900	FLAP,TIRE (1.60-18 U)	1
20	90302-KBP-900	NUT SPL 6 MM	1
21	44701-AAC-H50	RIM WHEEL (1.6X18)	1
22	90307-001-000	NUT ,RR. AXLE SLEEVE	1
23	90309-357-000	NUT, HEX .,8MM	4
24	90753-029-000	OIL SEAL, 27 X 40 X 6	1
25	94001-06000-0S	NUT, HEX., 6 MM	1
26	94101-06000	WASHER, PLAIN, 6 MM	1
27	96140-63010-10	BEARING, RADIAL BALL, 6301U	2
28	96150-62030-10	BEARING, BALL RADIAL, 6203 (UU)	1

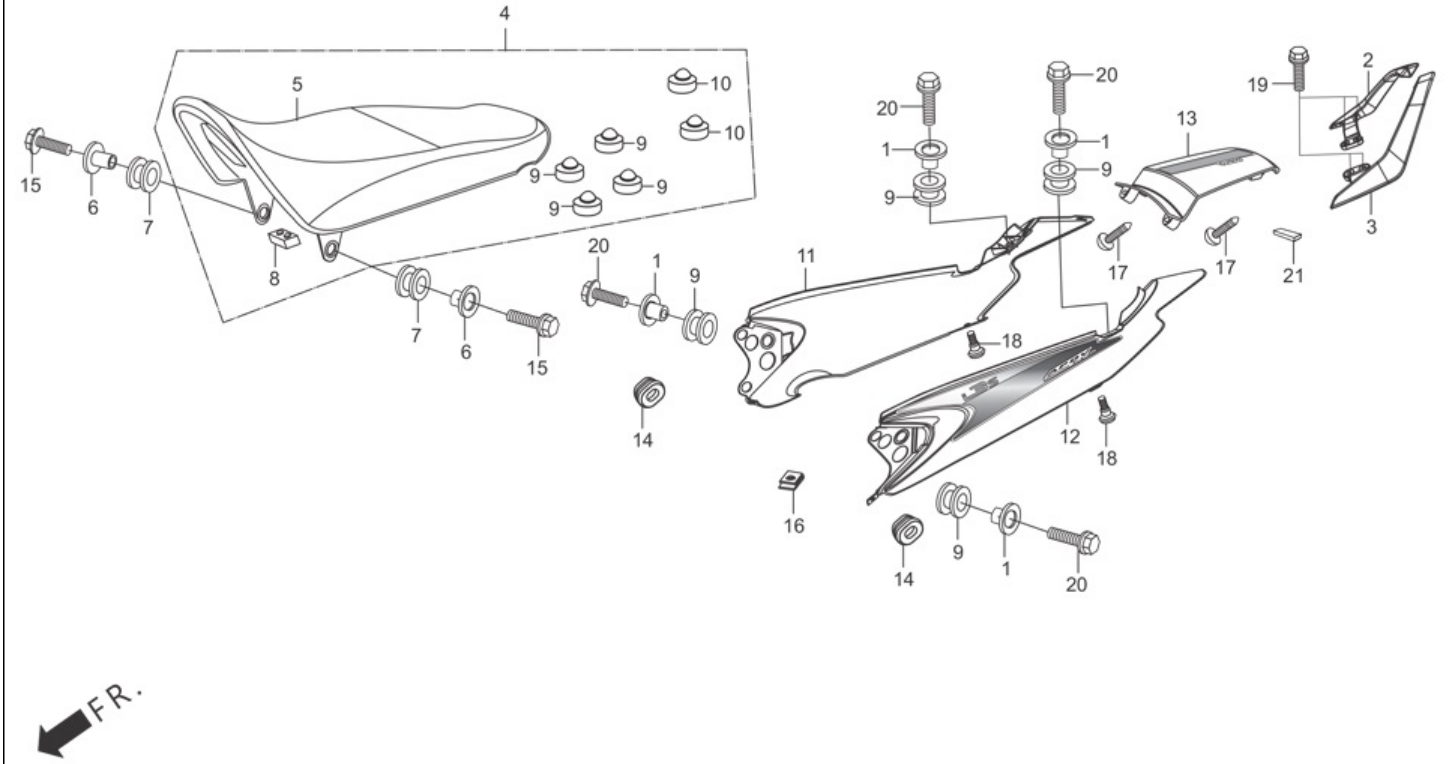
F-11-SPOKE : REAR WHEEL



FR. ←

29	97338-51179-10	SPOKE, A 9 X 169.5	18
30	97604-51178-10	SPOKE A9 X 169	18

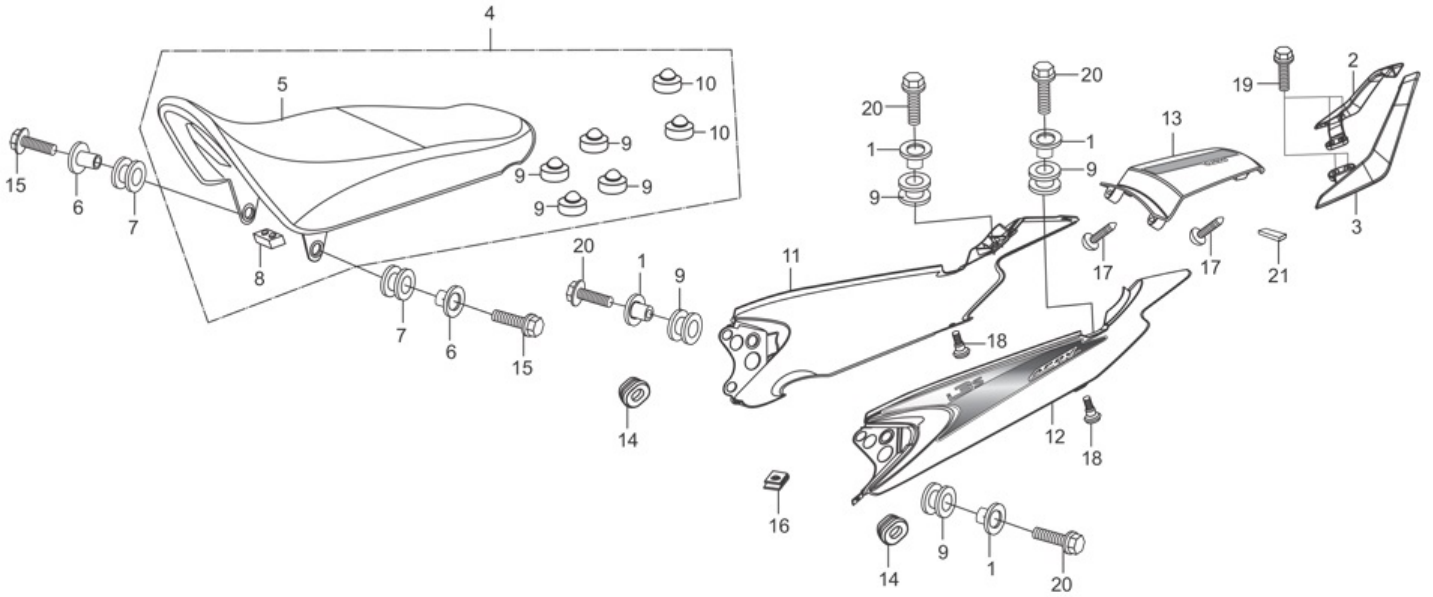
F-12 : SEAT ASSY./REAR COWL/GRIP REAR



Group Number: F-12 **Model ::** Splendor iSmart (May, 2014)

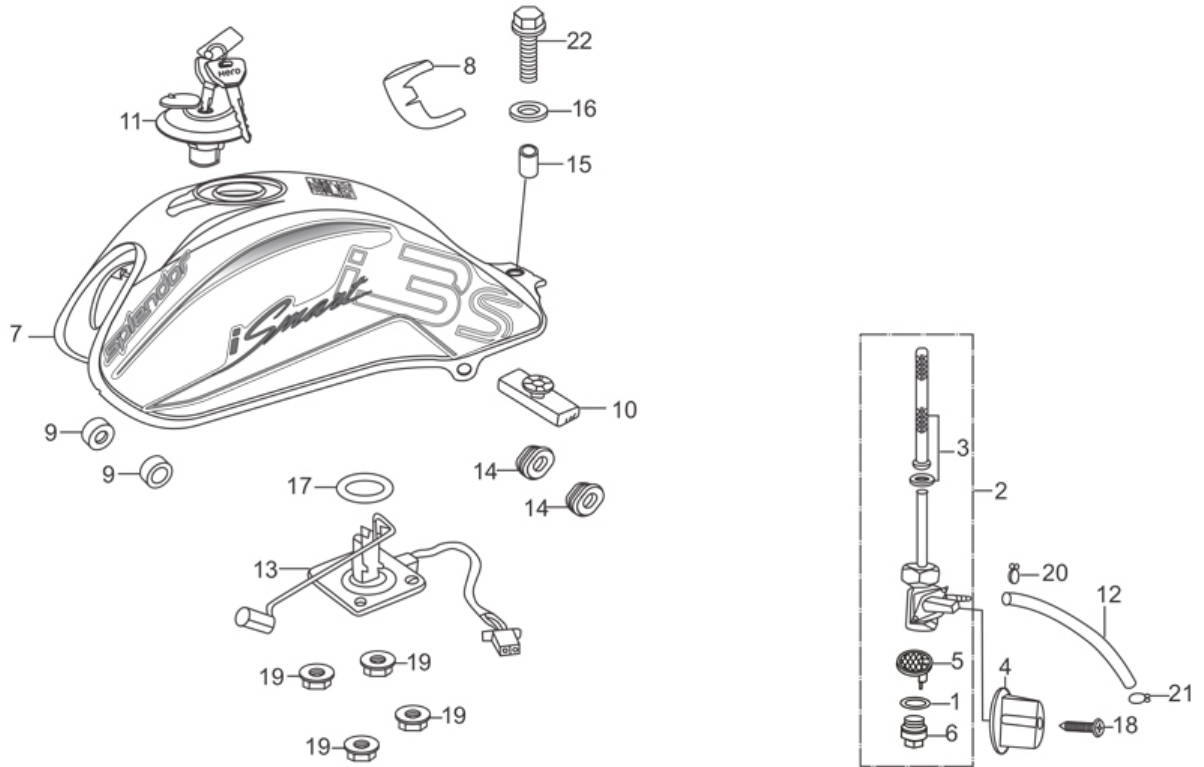
Ref No.	Part Number	Description	Req.
1	17509-398-960	COLLAR, TANK SET	4
2	50400-AAF-040R	GRIP R RR(LGM,GY-141M)	1
	50400-AAF-040S	GRIP R RR(HGM,NH-194M-U)	1
	50400-AAF-040T	GRIP R RR(SRD,R-321)	1
	50400-AAF-040U	GRIP R RR(VBM,PB-374M)	1
	50400-AAF-100W	GRIP R RR(BLK-NH1, TYPE-2)	1
3	50450-AAF-040R	GRIP L RR(LGM,GY-141M)	1
	50450-AAF-040S	GRIP L RR(HGM,NH-194M-U)	1
	50450-AAF-040T	GRIP L RR(SRD,R-321)	1
	50450-AAF-040U	GRIP L RR(VBM,PB-374M)	1
	50450-AAF-100W	GRIP L RR(BLK-NH1, TYPE-2)	1
4	77200-AAF-000	SEAT COMP. DOUBLE	1
5	7720A-AAF-000	COVER ASSY. SEAT	1
6	77201-KVH-900	COLLAR SEAT MTG.	2
7	77202-KCC-900	RUBBER, SEAT MOUNTING	2
8	77204-KCC-900	RUBBER, `A SEAT SETTING	1
9	77206-KCC-900	RUBBER, SEAT CUSHION	4
10	77206-KTR-900	RUBBER, SEAT CUSHION	2
11	77205-AAF-100R	SET R RR COWL (LGM GY-141M)	1
	77205-AAF-100S	SET R RR COWL (HGM NH-194M-U)	1
	77205-AAF-100T	SET R RR COWL (SRD,R-321)	1
	77205-AAF-100U	SET R RR COWL (VBMPB-374M)	1
	77205-AAF-100V	SET, R. RR. COWL (BLK-NH1, TYPE-1)	1
	77205-AAF-100W	SET, R. RR. COWL (BLK-NH1, TYPE-2)	1

F-12 : SEAT ASSY./REAR COWL/GRIP REAR



12	77215-AAF-100R	SET L RR COWL (LGM GY-141M)	1
	77215-AAF-100S	SET L RR COWL (HGM NH-194M-U)	1
	77215-AAF-100T	SET L RR COWL (SRDR-321)	1
	77215-AAF-100U	SET L RR COWL (VBM PB-374M)	1
	77215-AAF-100V	SET, L. RR. COWL (BLK-NH1, TYPE-1)	1
	77215-AAF-100W	SET, L. RR. COWL (BLK-NH1, TYPE-2)	1
13	77230-AAF-100R	SET CENTER RR COWL (LGM GY-141M)	1
	77230-AAF-100S	SET CENTER RR COWL (HGM NH-194M-U)	1
	77230-AAF-100T	SET, CENTER RR. COWL (SRD,R-321)	1
	77230-AAF-100U	SET CENTER RR COWL (VBM,PB-374M)	1
	77230-AAF-100V	SET, CTR RR. COWL(BLK-NH1, TYPE-1)	1
	77230-AAF-100W	SET, CTR RR. COWL(BLK-NH1, TYPE-2)	1
14	83551-KVH-900	GROMMET SIDE COVER	2
15	90038-MT3-000	BOLT, FLANGE, 6 X 32	2
16	90320-GC3-000	NUT, SPRING, M5	1
17	91509-GE2-760	SCREW, WASHER, 5 X 11.5	2
18	93903-35280	SCREW, TAPPING, 5 X 12	2
19	95701-08022-08	BOLT, FLANGE, 8 X 22	4
20	95701-06022-08	BOLT FLANGE, 6 X 22	4
21	77236-KVH-900	CUSHION CENTER COWL	1

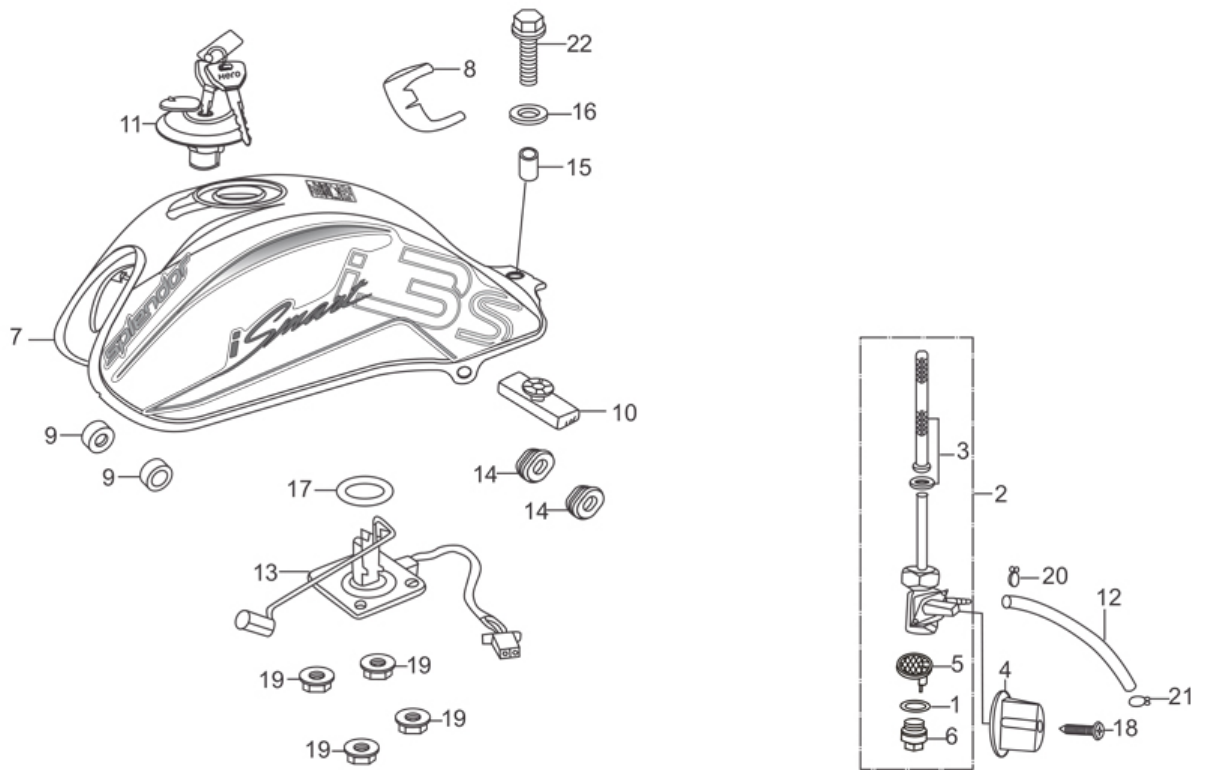
F-13 : FUEL TANK



Group Number: F-13 Model :: Splendor iSmart (May, 2014)

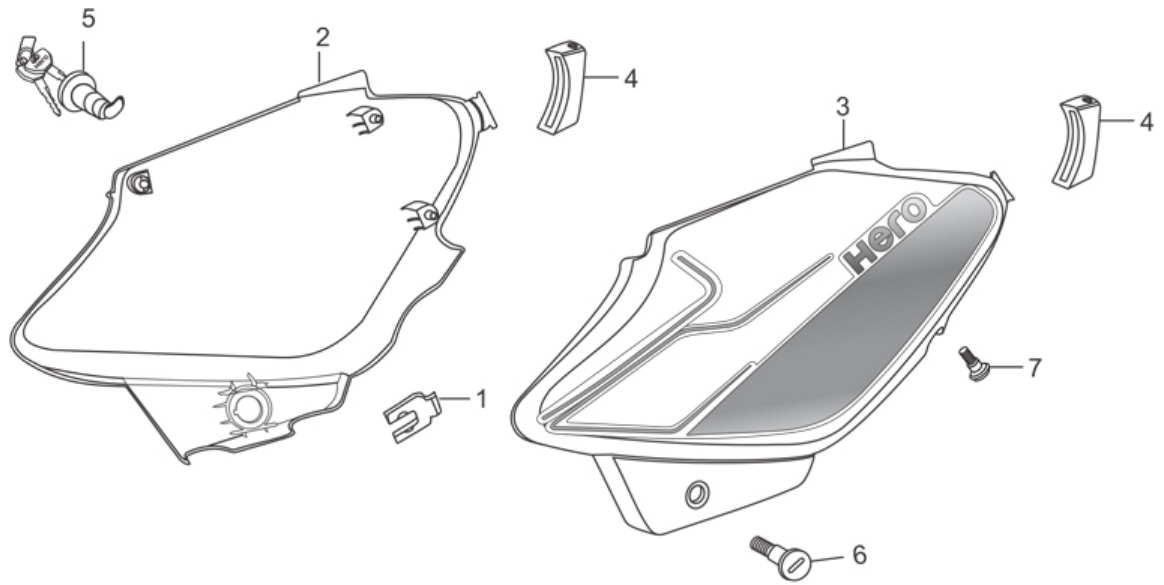
Ref No.	Part Number	Description	Req.
1	16173-001-000	O- RING	1
2	16950-KVH-900	COCK ASSY.,FUEL	1
3	16952-KVH-900	SCREEN SET FUEL STRAINER	1
4	16955-KVH-900	LEVER FUEL COCK	1
5	16959-HB3-000	FILTER, CUP	1
6	16967-GA6-671	CUP, FUEL STRAINER	1
7	17505-AAF-100R	SET, FUEL TANK (LEAF GREEN ME.)	1
	17505-AAF-100S	SET, FUEL TANK (HEAVY GRAY ME.)	1
	17505-AAF-100T	SET, FUEL TANK (SPORTS RED)	1
	17505-AAF-100U	SET, FUEL TANK (VIBRANT BLUE ME.)	1
	17505-AAF-100V	SET, FUEL TANK (BLK-NH1, TYPE-1)	1
	17505-AAF-100W	SET, FUEL TANK (BLK-NH1, TYPE-2)	1
8	17506-KVH-900	TANK FILM PROTECTOR	1
9	17611-KRM-860	CUSHION, FR. FUEL TANK	2
10	17613-KCC-900	CUSHION, RR. TANK	1
11	17620-KST-H61	CAP COMP.FUEL FILLER	1
12	17681-KVH-760	TUBE FUEL	1
13	37800-KVH-870	UNIT ASSY., FUEL	1
14	83551-300-000	GROMMET, AIR CLEANER CASE	2
15	90324-KCC-870	COLLAR, 8 MM	1
16	90325-KCC-900	WASHER, PLAIN, 8 MM	1
17	91305-MC7-000	O-RING, 39.5 X 5	1
	91305-443-740	O RING, 39.5 X 5	1
18	93500-04025-0G	SCREW, PAN, 4X25	1

F-13 : FUEL TANK



19	94050-06000	NUT, FLANGE, 6 MM	4
20	95002-02100	CLIP, B-10 TUBE	1
21	95002-70000	CLIP, C11 TUBE	1
22	95701-08035-08	BOLT, FLANGE, 8 X 35	1

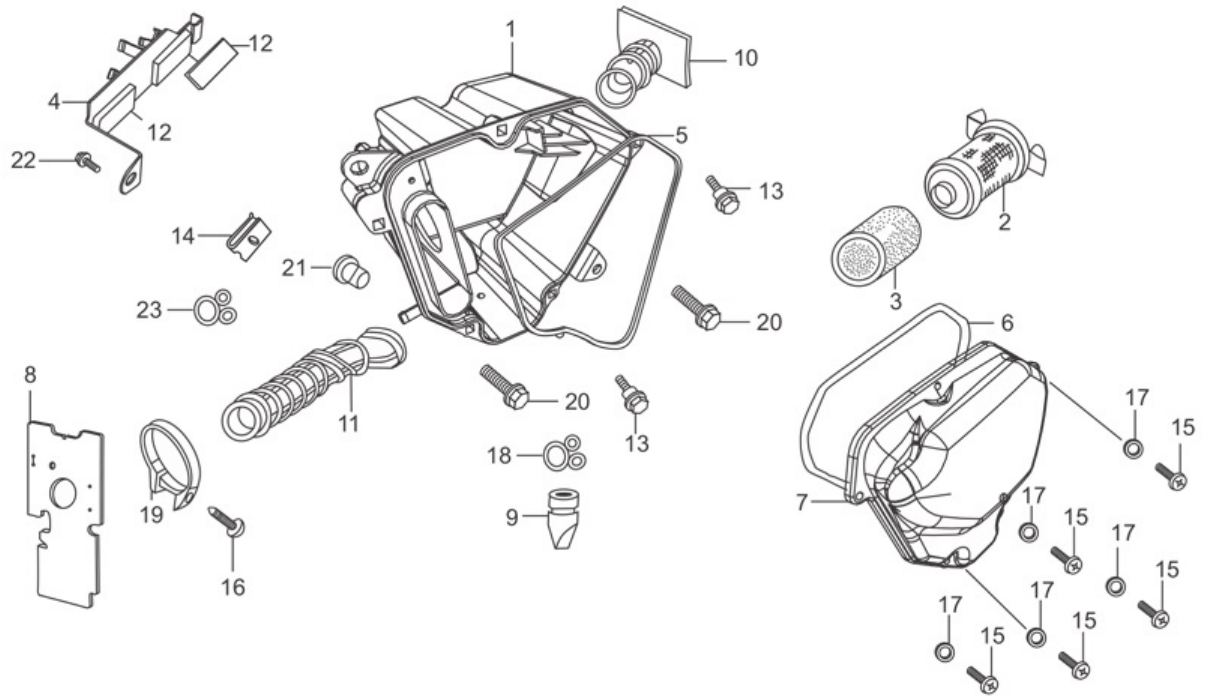
F-14 : SIDE COVER



Group Number: F-14 Model :: Splendor iSmart (May, 2014)

Ref No.	Part Number	Description	Req.
1	75581-673-000	SET SPRING, LOCK KEY	1
2	83300-AAF-100R	"SET, R. SIDE COVER (LGM, GY-141M)"	1
	83300-AAF-100S	SET R SIDE COVER (HGM NH-194M-U)	1
	83300-AAF-100T	SET R SIDE COVER (SRDR-321)	1
	83300-AAF-100U	SET R SIDE COVER (VBMPB-374M)	1
	83300-AAF-100V	SET, R SIDE COVER(BLK-NH1, TYPE-1)	1
	83300-AAF-100W	SET, R SIDE COVER(BLK-NH1, TYPE-2)	1
3	83400-AAF-100R	SET L SIDE COVER (LGM GY-141M)	1
	83400-AAF-100S	SET L SIDE COVER (HGM NH-194M-U)	1
	83400-AAF-100T	SET L SIDE COVER (SRDR-321)	1
	83400-AAF-100U	SET L SIDE COVER (VBMPB-374M)	1
	83400-AAF-100V	SET, L SIDE COVER(BLK-NH1, TYPE-1)	1
	83400-AAF-100W	SET, L SIDE COVER(BLK-NH1, TYPE-2)	1
4	83512-KVH-900	RUBBER, SIDE COVER HOOK	2
5	83550-KVH-900	LOCK , SIDE COVER	1
6	90113-KVH-900	BOLT SIDE, COVER	1
7	91509-GE2-760	SCREW, WASHER, 5 X 11.5	1

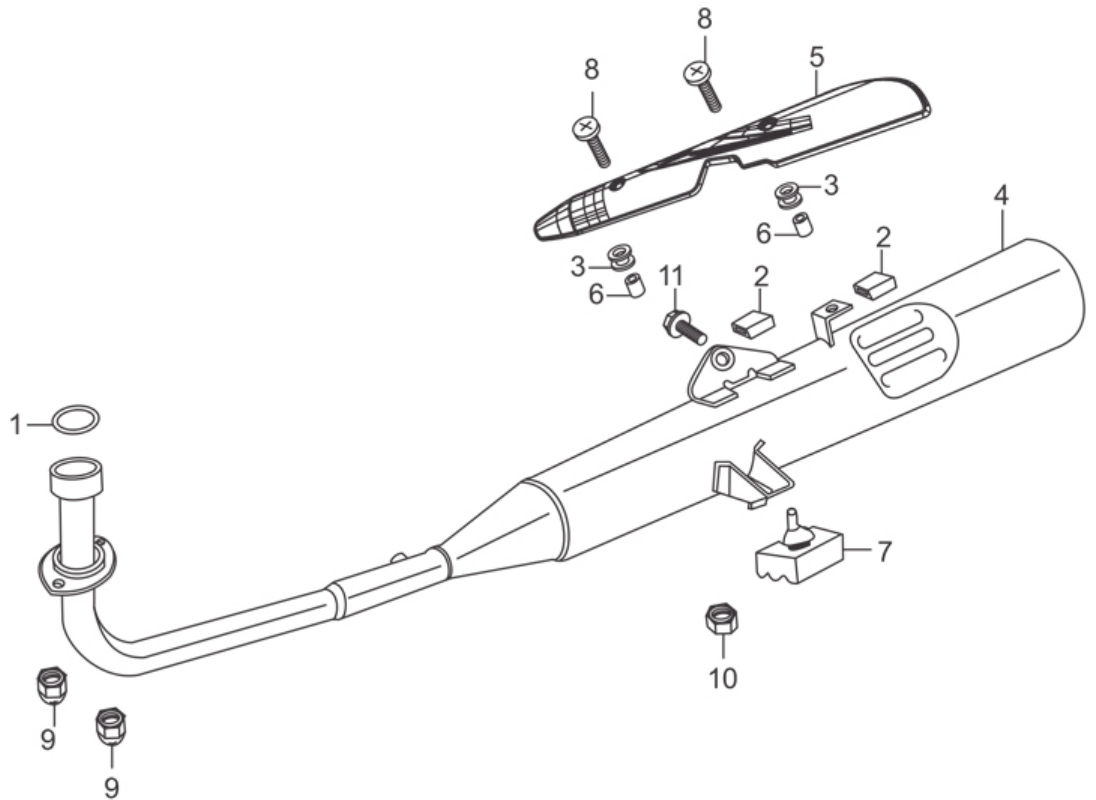
F-15 : AIR CLEANER



Group Number: F-15 Model :: Splendor iSmart (May, 2014)

Ref No.	Part Number	Description	Req.
1	17210-KWA-840	CASE, AIR/C	1
2	17212-KTC-900	HOLDER, ELEMENT	1
3	17213-KWA-940	ELEMENT AIR/C	1
4	17214-KWA-840	BAND, BATTERY	1
5	17218-KTC-900	SEAL AIR CLEANER	1
6	17219-KTC-900	SEAL, A/I CLEANER	1
7	17220-KVH-760	COVER, AIR/C CASE	1
8	17224-KVH-760	WATER GUARD, FR.	1
9	17234-KCC-940	TUBE AIR CLEANER DRAIN	1
10	17251-KWA-940	DUCT AIR/C INLET	1
11	17253-KTC-900	TUBE, AIR/C CONN.	1
12	83407-KTR-940	RUBBER, BATTERY	3
13	90111-187-000	BOLT, FLANGE. 6 MM	2
14	90311-MT3-000	NUT, CLIP, 6 MM	1
15	93500-05016-1H	SCREW, PAN, 5 X 16	5
16	93903-34220	SCREW TAPPING 4X10	1
17	94101-05000	WASHER , PLAIN, 5MM	5
18	95002-02130	CLIP B 12.5 TUBE	1
19	95018-46320	BAND 46 AIR/C CONN. TUBE	1
20	95701-06016-08	BOLT , FLANGE 6 X 16	2
21	18651-KST-900	PLUG,AIR/C	1
22	90101-KWA-830	BOLT FLANGE 6X18	1
23	17369-198-770	CLIP BREATHER TUBE	1

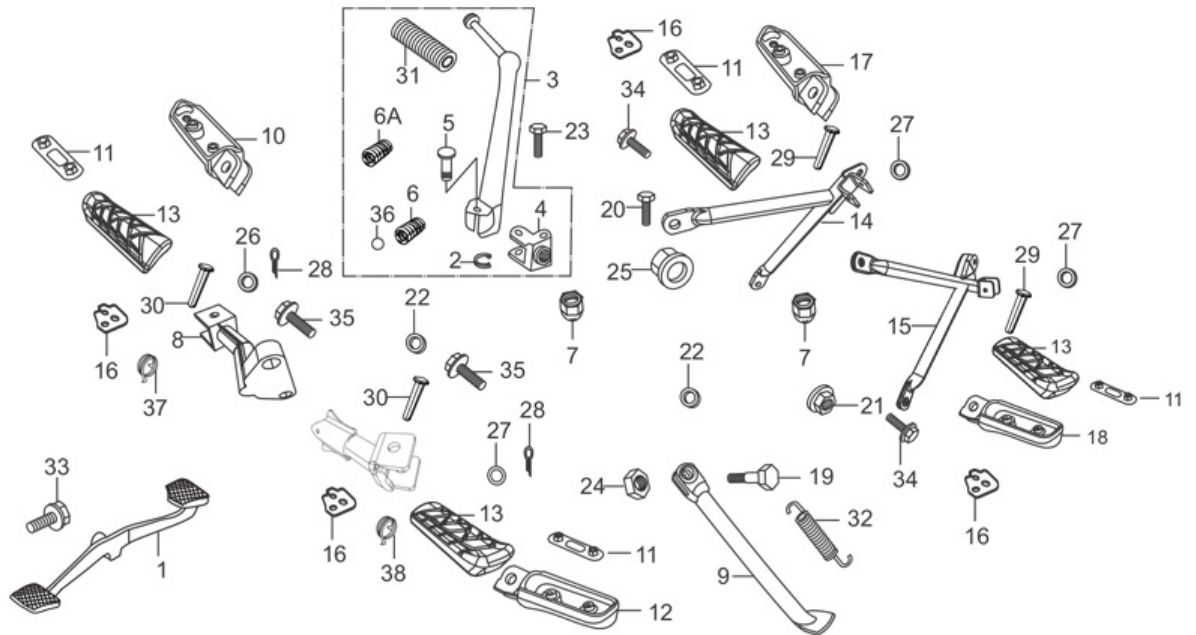
F-16 : MUFFLER



Group Number: F-16 Model :: Splendor iSmart (May, 2014)

Ref No.	Part Number	Description	Req.
1	18291-KTC-900	GASKET, EXHAUST PIPE	1
2	18293-KPK-900	RUBBER, PKG. PROTECTOR	2
3	18345-MBT-610	RUBBER, PROTECTOR, MOUNT	2
4	18350-AAF-101	MUFFLER COMP. EXH.	1
5	18355-KVH-760	COVER, MUFFLER.	1
6	33619-459-840	COLLAR, WINKER STAY	2
7	50505-KCC-900	STOPPER RUBBER, A STAND	1
8	90107-KAN-900	BOLT, BODY COVER SET	2
9	90304-438-000	NUT, HEX. CAP, 6 MM	2
10	94050-08000	NUT, FLANGE, 8MM	1
11	95701-08016-00	BOLT, FLANGE, 8X16	1

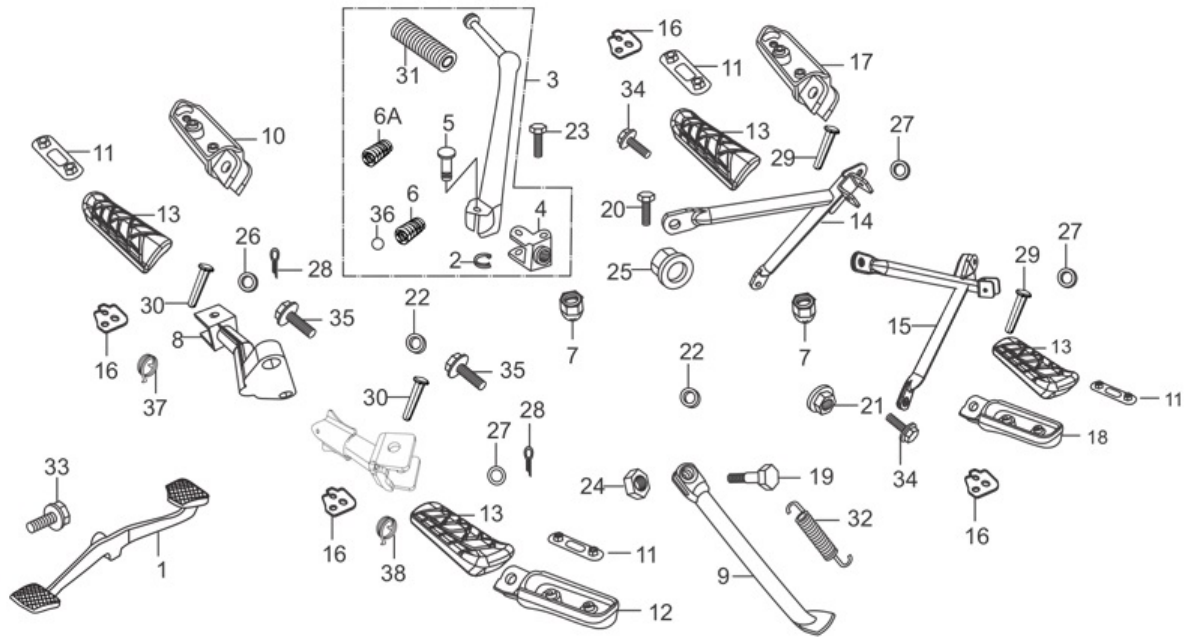
F-17 : STEP ASSY./KICK STARTER/GEAR CHANGE PEDAL/SIDE STAND/PILLION STEP.



Group Number: F-17 Model :: Splendor iSmart (May, 2014)

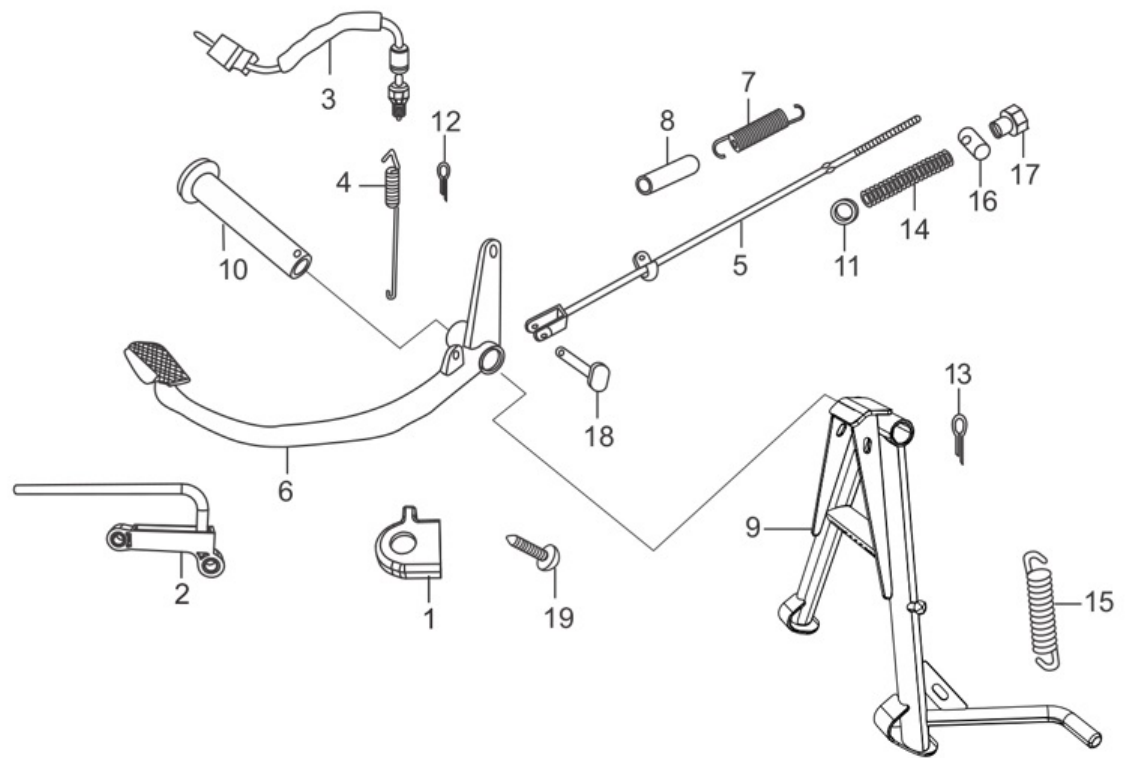
Ref No.	Part Number	Description	Req.
1	24701-KWA-940	PEDAL, GEAR CHANGE	1
2	28293-KAG-900	CLIP, KICK STARTER	1
3	2830A-KWA-941	ARM, SUB ASSY., KICK STARTER	1
4	28302-KWA-940	JOINT KICK ARM	1
5	28321-427-770	PIN KICK STARTER	1
6	28333-124-000	SPRING, KICK STARTER STOPPER	1
6A	28333-300-000	SPRING KICK STARTER STOPPER	2
7	92501-08010-0A	BOLT. HEX .CAP 8X10	2
8	50160-AAF-040	BRKT. COMP. R STEP	1
9	50530-KST-940	BAR COMP., SIDE STAND	1
10	50612-KRY-970	ARM, R. STEP	1
11	50619-KRY-970	PLATE STEP SET	4
12	50642-KRY-970	ARM, L. STEP	1
13	50661-KVE-860	RUBBER,STEP	4
14	50701-AAF-040	BRKT. COMP. R P STEP	1
15	50702-AAF-040	BRKT. COMP. L P STEP	1
16	50718-AAF-040	PLATE P STEP CLICK	4
17	50720-KRY-970	ARM, R PILLION STEP	1
18	50730-KRY-970	ARM, L PILLION STEP	1
19	90107-AAD-000	SCREW, SIDE STAND PIVOT	1
20	90115-MV9-000	BOLT, M. STEP RUB.SET	2
21	90306-KST-942	NUT, CASTLE, 12 MM	1
22	94102-08000	WASHER, PLAIN, 8MM	2
23	92101-06032-0A	BOLT, FLANGE, 6 X 32	1

F-17 : STEP ASSY./KICK STARTER/GEAR CHANGE PEDAL/SIDE STAND/PILLION STEP.



24	94030-10000	NUT HEX., 10MM	1
25	94050-08000	NUT, FLANGE, 8MM	1
26	94101-06000	WASHER, PLAIN, 6 MM	2
27	94101-08000	WASHER, PLAIN, 8MM	2
28	94201-16121	PIN, SPLIT, 1.6 X 12	2
29	50639-KRY-970	PIN, STEP BAR	2
30	95015-81000	PIN A PILLION STEP	4
31	95011-51000	RUBBER, A KICK STARTER	1
32	95014-72302	SPRING, C SIDE STAND	1
33	95701-06020-00	BOLT, FLANGE, 6X20	1
34	95701-08016-07	BOLT FLANGE, 8 X 16	2
35	95701-10045-07	BOLT FLANGE, 10 X 45	2
36	96211-08000	BALL STEEL 8 MM	1
37	50617-445-840	SPG. R STEP RETURN	1
38	50644-445-840	SPG. L STEP RETURN	1

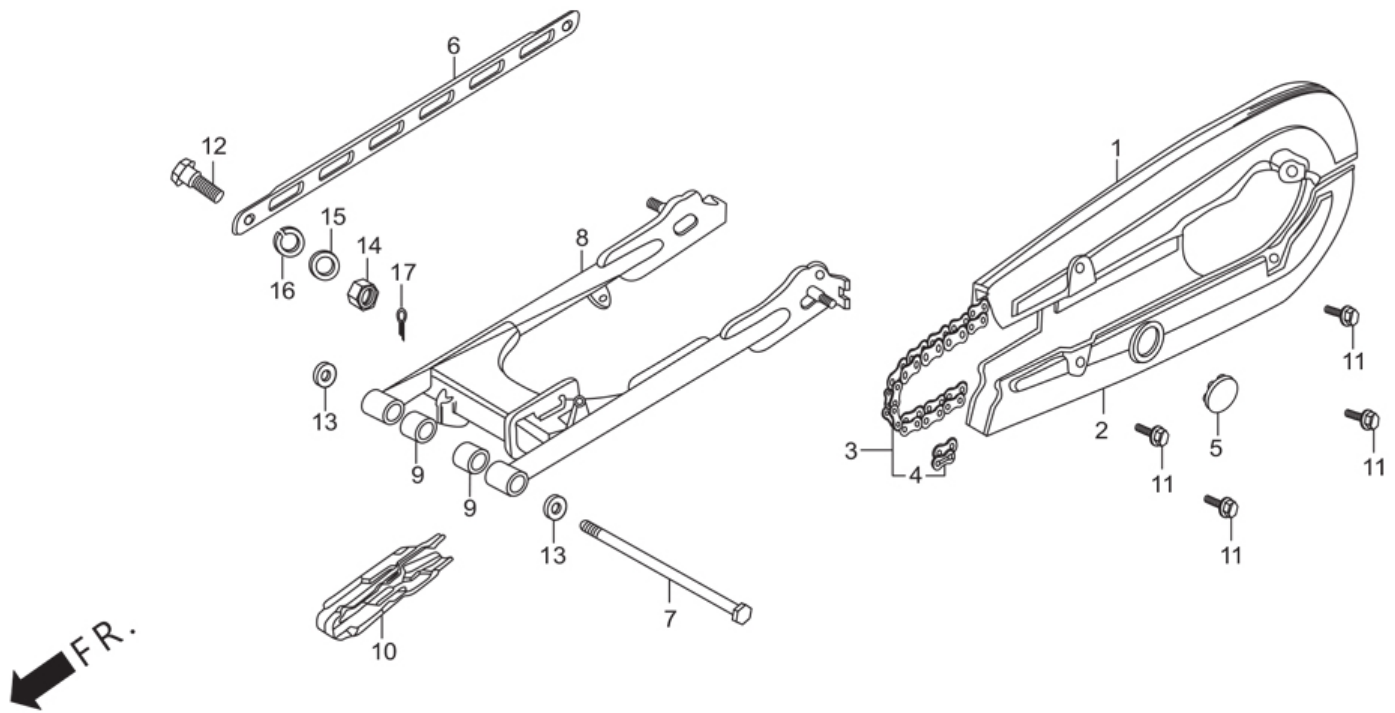
F-18-SELF : MAIN STAND/PEDAL BRAKE



Group Number: F-18-SELF Model :: Splendor iSmart (May, 2014)

Ref No.	Part Number	Description	Req.
1	35130-AAD-00099	MAGNET HOLDER	1
2	35140-AAD-00099	SENSOR ASSY SIDE STAND	1
3	35350-KWA-940	SWITCH ASSY., REAR STOP (SELF)	1
4	35357-KST-940	SPRING STOP SWITCH	1
5	43451-KCC-600	ROD COMP. RR. BRAKE	1
6	46500-KST-940	PEDAL, BRAKE	1
7	46514-KCC-900	SPRING , BRAKE PEDAL	1
8	46515-KB9-000	TUBE , BRAKE PEDAL SPRING	1
9	50500-AAH-H40	STAND COMP.MAIN	1
10	50512-KTC-900	PIPE, RR. BRAKE PIVOT	1
11	90502-198-900	WASHER , BRAKE ROD	1
12	94201-20150	PIN, SPLIT, 2.0 X 15	1
13	94201-30250	PIN, SPLIT, 3.0 X 25	1
14	95014-71702	SPRING G MAIN STAND	1
15	95014-73100	SPRING A BRAKE ROD	1
16	95015-32001	JOINT B BRAKE ARM	1
17	95015-42000	NUT B ADJUST	1
18	95015-53000	PIN, C JOINT	1
19	93891-05014-18	SCREW, WASHER, 5 X 14	1

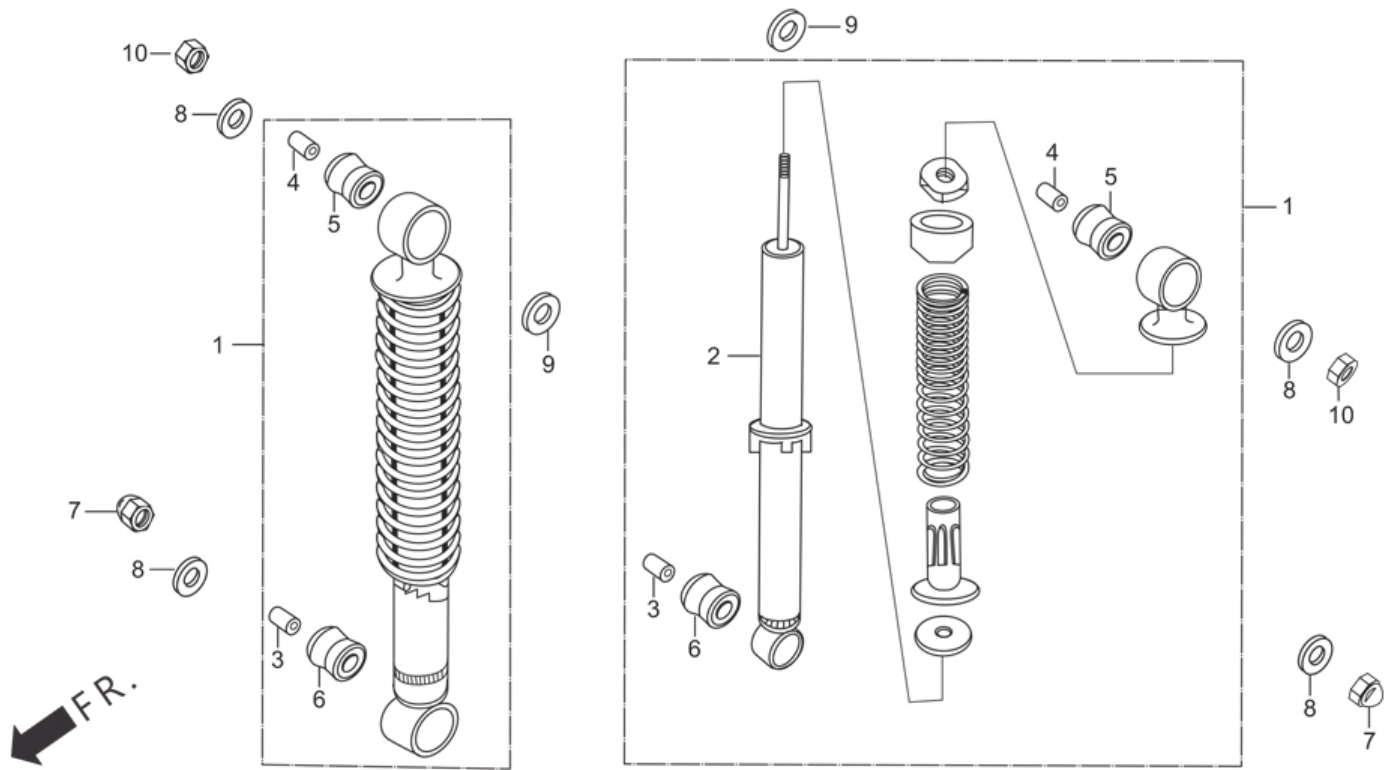
F-19 : REAR FORK / CHAIN CASE



Group Number: F-19 Model :: Splendor iSmart (May, 2014)

Ref No.	Part Number	Description	Req.
1	40510-KST-940	CASE, UPPER (HALF) DRIVE CHAIN (NH-35M)	1
2	40520-KST-940	CASE, UNDER(HALF) DRIVE CHAIN (NH-35M)	1
3	40530-KST-940	CHAIN DRIVE (420-108)	1
4	40531-KTE-910	JOINT RJ.DRIVE CHAIN	1
5	40545-001-000	CAP, CHAIN PEEP HOLE	1
6	43431-KST-940	ARM, RR BRAKE STOPPER	1
7	52101-KST-940	BOLT, SWING ARM PIVOT	1
8	52110-KST-940	SWING ARM, COMP. , RR.	1
9	52147-KTC-900	RUBBER BUSH, RR. FORK PIVOT	2
10	52170-KST-940	SLIDER CHAIN	1
11	90118-383-000	BOLT, WASHER, 6 X6	4
12	90133-331-770	BOLT, HEX., 8MM	1
13	90183-KTC-900	WASHER, SPL., 12 MM	2
14	94001-08000-0S	NUT, HEX., 8 MM	1
15	94101-08000	WASHER, PLAIN, 8MM	1
16	94111-10000	WASHER, SPRING, 10MM	1
17	94201-20150	PIN, SPLIT, 2.0 X 15	1

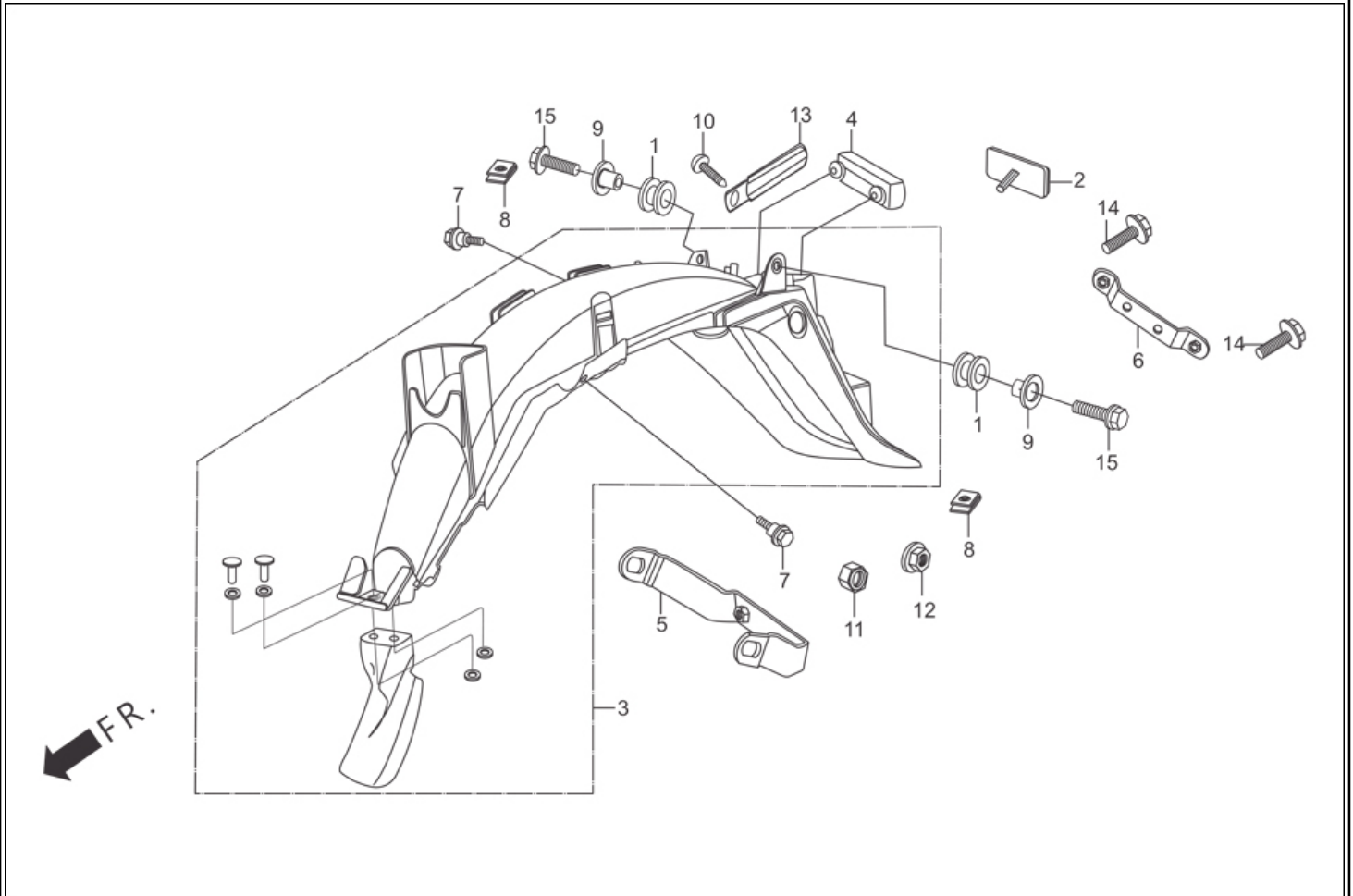
F-20 : REAR CUSHION



Group Number: F-20 Model :: Splendor iSmart (May, 2014)

Ref No.	Part Number	Description	Req.
1	52400-AAF-000	CUSHION ASSY. REAR	2
2	52410-KVH-761	DAMPER COMP., REAR	2
3	52486-KAG-900	COLLAR ,RUBBER BUSH (UNDER)	2
4	52486-056-000	COLLAR, RUBBER BUSH (UPPER)	2
5	52489-399-600	BUSH ,RUBBER (UPPER)	2
6	52495-098-000	BUSH, RUBBER (UNDER)	2
7	90202-329-000	NUT, FLANGE, CAP, 10MM	2
8	90551-KTE-910	WASHER SPECIAL, 10 MM	4
9	94101-12800	WASHER,PLAIN ,12 MM	2
10	94050-10000	NUT, FLANGE, 10MM	2

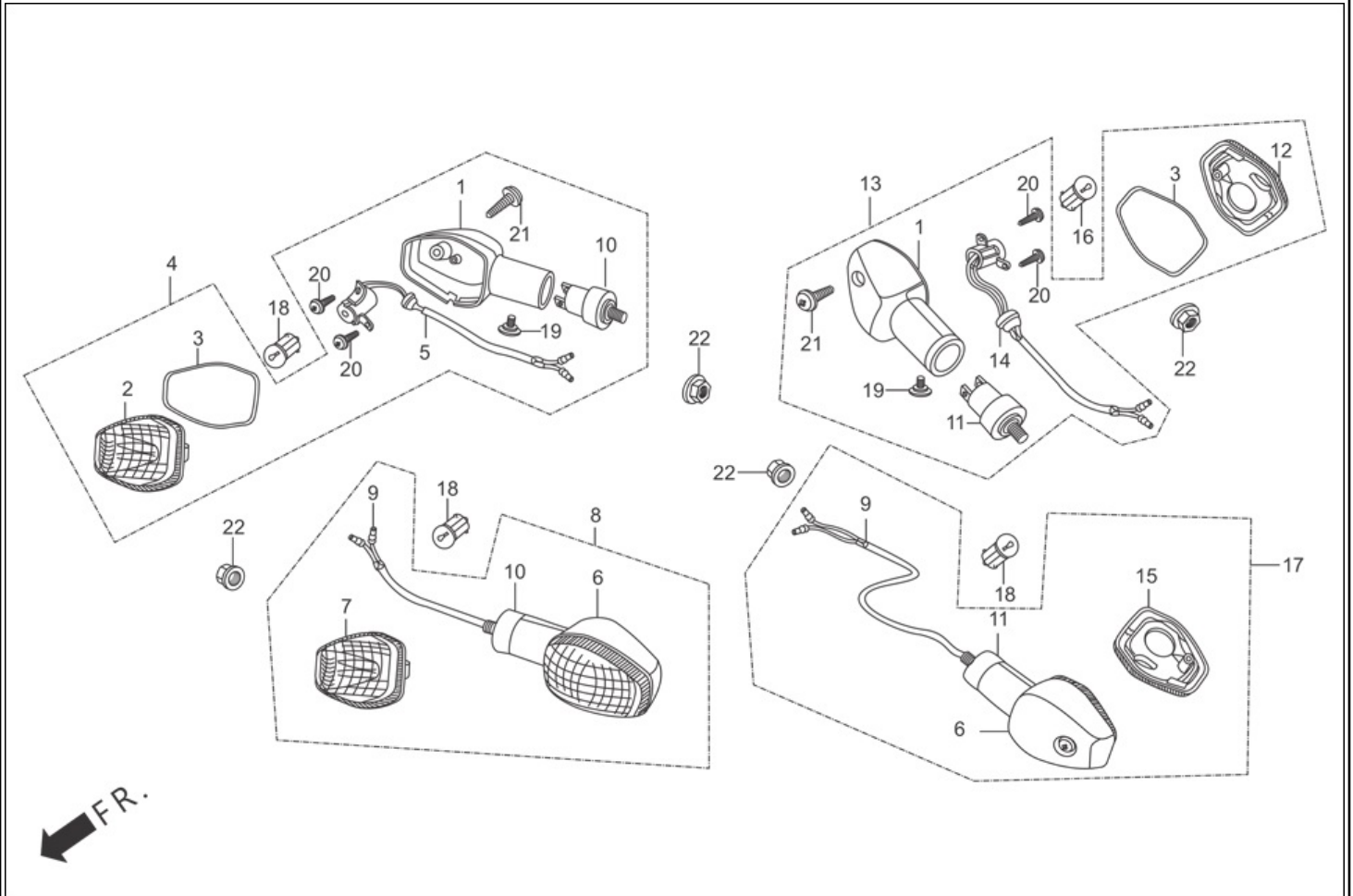
F-21 : REAR FENDER



Group Number: F-21 Model :: Splendor iSmart (May, 2014)

Ref No.	Part Number	Description	Req.
1	33714-KL3-620	RUBBER, TAIL LIGHT	2
2	33741-KST-920	REFLEX REFLECTOR	1
3	80100-KVH-850	FENDER COMP., REAR	1
4	80102-KVH-900	RUBBER, TAIL LIGHT SET	1
5	80151-KVH-900	STAY, REAR WINKER	1
6	84701-KCC-860	BRACKET, NUMBER PLATE	1
7	90111-187-000	BOLT, FLANGE. 6 MM	2
8	90320-GC3-000	NUT, SPRING, M5	2
9	90501-MC4-000	COLLAR A, AIR/C CASE	2
10	93903-34220	SCREW TAPPING 4X10	1
11	94002-06000-0S	NUT, HEX 6MM	1
12	94050-06000	NUT, FLANGE, 6 MM	1
13	94591-27000	CLIP 2 X 70	1
14	95701-06016-08	BOLT , FLANGE 6 X 16	2
15	95701-06020-08	BOLT, FLANGE, 6 X 20	2

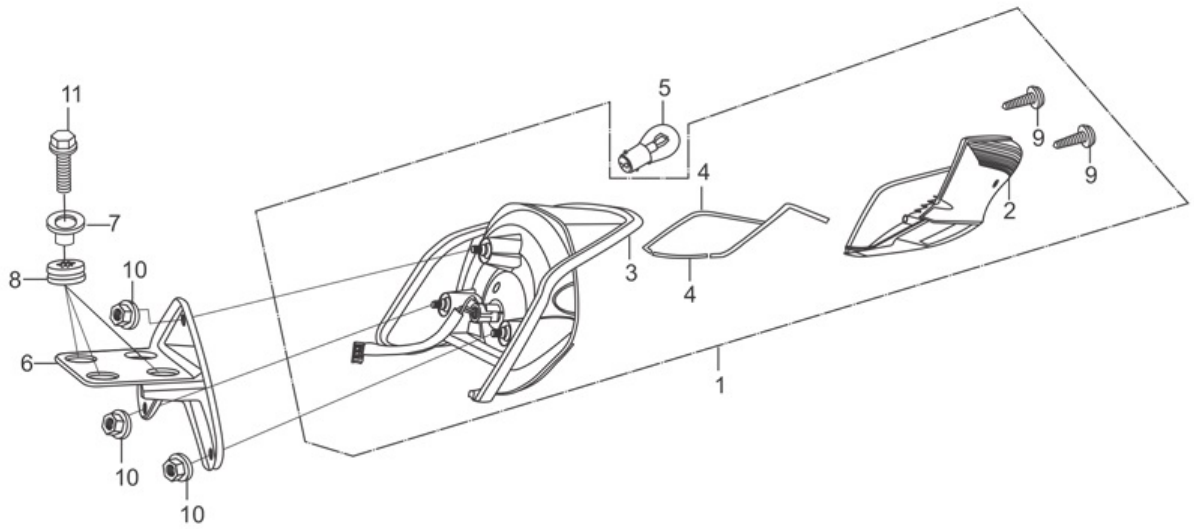
F-22 : WINKERS



Group Number: F-22 **Model ::** Splendor iSmart (May, 2014)

Ref No.	Part Number	Description	Req.
1	33401-KTR-901	BASE WINKER R	2
2	33403-KTR-841	LENS COMP., R WINKER	1
3	33406-KTR-901	SEAL, GASKET.	4
4	3340A-KVH-761	WINKER ASSY. R. FR.(W/O Bulb)	1
5	33415-KVH-761	SOCKET COMP. R. FR.	1
6	33451-KTR-901	BASE WINKER L	2
7	33453-KTR-841	LENS COMP., L WINKER	1
8	3345A-KVH-761	WINKER ASSY. L. FR.(W/O Bulb)	1
9	33465-KVH-761	SOCKET COMP. L. FR.	2
10	33491-KAF-000	STAY COMP., WINKER	2
11	33491-KRC-900	STAY COMP., WINKER	2
12	33603-KTR-841	LENS COMP., R WINKER	1
13	3360A-KTR-861	WINKER ASSY., R RR.	1
14	33615-KTR-861	SOCKET COMP., R WINKER	1
15	33653-KTR-841	LENS COMP., L WINKER	1
16	34930-AAC-700	BULB(12V 10W) AMBER	1
17	3365A-KVH-761	WINKER ASSY. L. RR.(W/O Bulb)	1
18	34930-AAC-700	BULB(12V 10W) AMBER	4
19	90380-MB2-000	SCREW, SPECIAL, 6 X 8	4
20	93901-22310	SCREW, TAPPING, 3 X 12	8
21	93903-34480	SCREW, TAPPING, 4X 16	4
22	94050-10000	NUT, FLANGE, 10MM	4

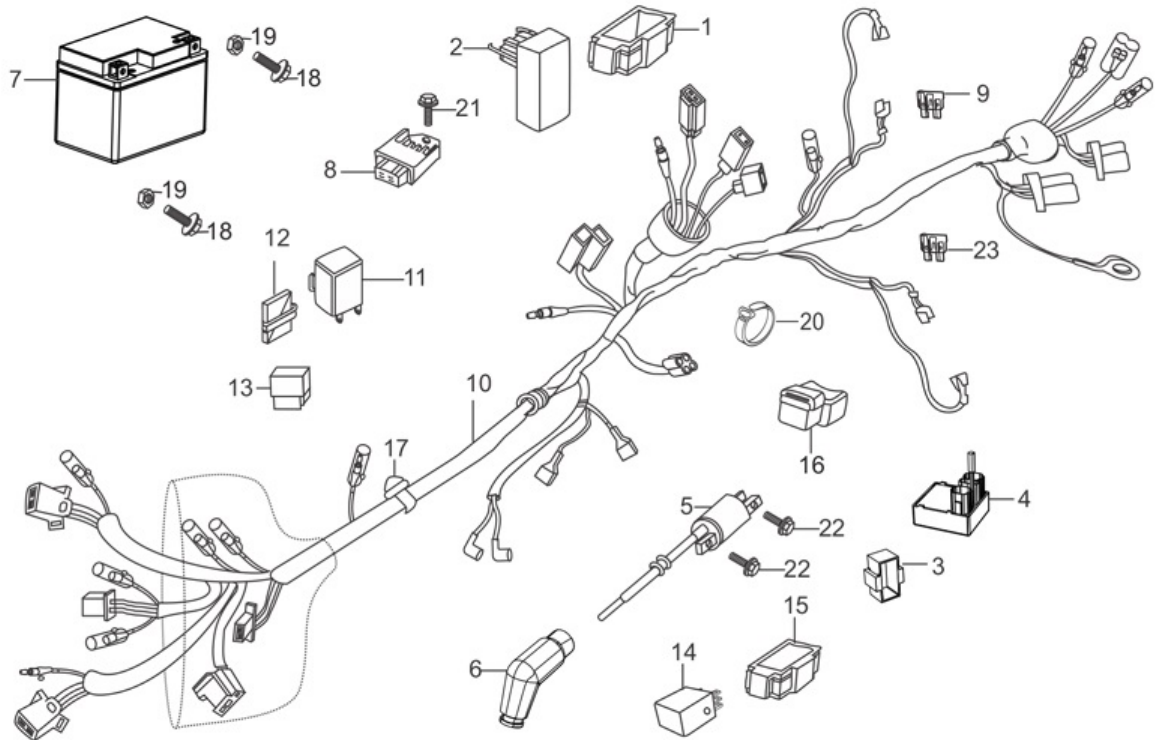
F-23 : TAIL LIGHT



Group Number: F-23 **Model ::** Splendor iSmart (May, 2014)

Ref No.	Part Number	Description	Req.
1	3370B-AAF-041	UNIT TAIL LAMP (w/o Bulb)	1
2	33703-AAF-041	LENS COMP TAIL LIGHT	1
3	33704-AAF-H00	BASE COMP., TAIL LIGHT	1
4	33709-KVH-900	PACKING LENS	2
5	34906-447-710	BULB, TAIL & STOP LIGHT (12V-21/5W)	1
6	77245-KVH-900	STAY, TAIL LIGHT	1
7	77247-KVH-900	COLLAR, TAIL LIGHT	4
8	77248-KVH-900	RUBBER, TAIL LIGHT STAY MTG.	4
9	93901-24480	SCREW, TAPPING, 4 X 16	2
10	94050-06000	NUT, FLANGE, 6 MM	3
11	95701-06025-18	BOLT, FLANGE, 6 X 25	4

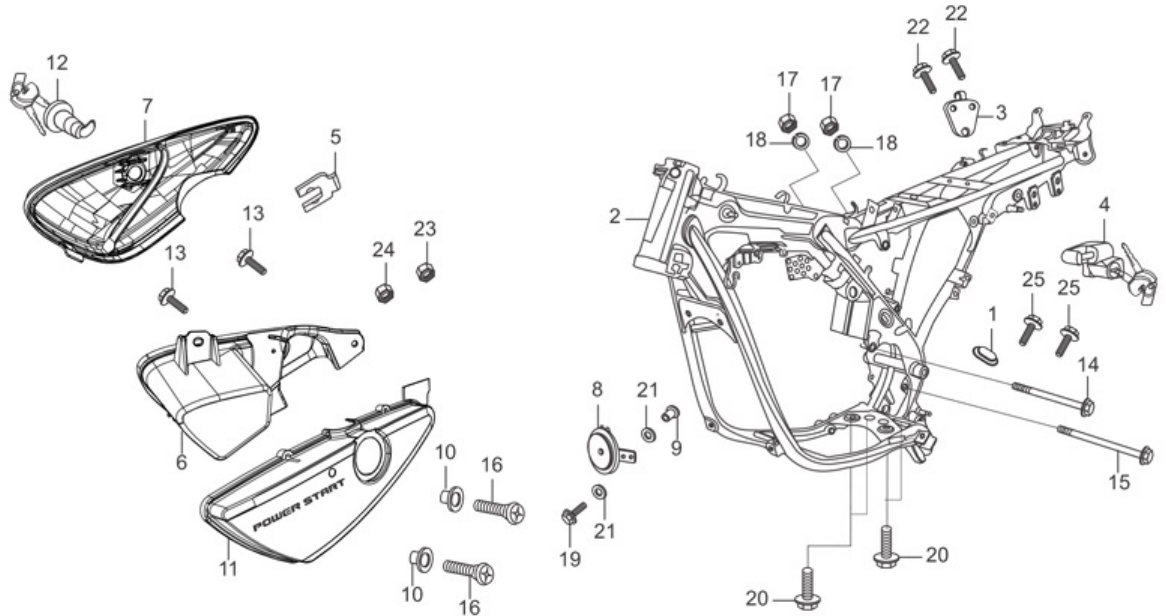
F-24-SELF : WIRE HARNESS / BATTERY



Group Number: F-24-SELF Model :: Splendor iSmart (May, 2014)

Ref No.	Part Number	Description	Req.
1	30401-KTE-910	CUSHION, C.D.I. UNIT	1
2	30410-AAF-001	UNIT COMP CDI	1
3	30455-AAF-040	CUSHION CONTROLLER UNIT	1
4	30460-AAF-040	CONTROLLER UNIT COMP I3S	1
5	30500-AAF-H00	COIL ASSY.IGN.	1
6	30700-KWA-831	CAP ASSY,NOISE SUPPRESSOR	1
7	31500-KVT-801	BATTERY, ASSY.	1
8	31600-KWA-831	REG. REC. COMP.	1
9	98200-31500	BLADE, FUSE, 15A	1
10	32100-AAF-040	HARNESS WIRE	1
11	38301-KWA-931	RELAY COMP WINKER	1
12	38306-GE7-000	SUSPENSION, WINKER RELAY	1
13	38501-KTP-890	RELAY COMP., START	1
14	38502-KSP-910	RELAY COMP., POWER (MICRO ISO 5P)	1
15	38506-KSP-910	SUS., POWER RELAY	1
16	38506-KWA-840	SUSP. START RELAY	1
17	35701-KWA-931	BAND	1
18	90122-KVT-941	BOLT BATTERY TERMINAL	2
19	90306-KVT-941	NUT BATTERY TERMINAL	2
20	91540-S30-003	CLIP BAND, HARN	1
21	95701-06014-18	BOLT, FLANGE, 6 X 14	1
22	96001-06020-00	BOLT, FLANGE, SH. 6 X 20	2
23	98200-31000	BLADE, FUSE 10A	1

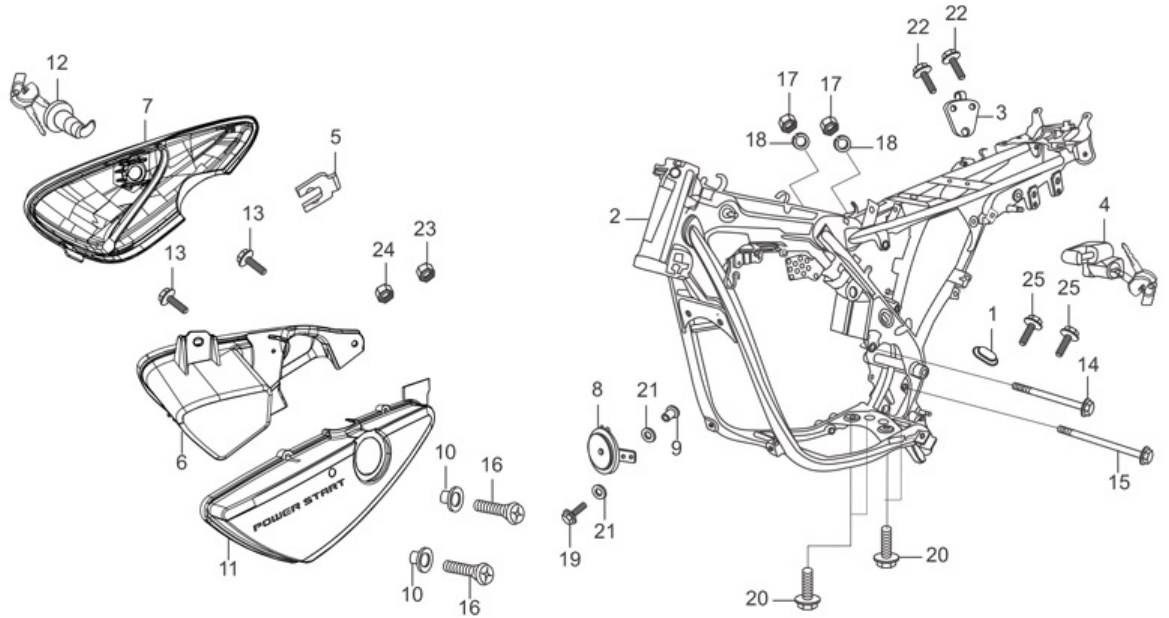
F-25-SELF : FRAME BODY / UTILITY BOX



Group Number: F-25-SELF Model :: Splendor iSmart (May, 2014)

Ref No.	Part Number	Description	Req.
1	32712-ZA0-000	GROMMET, TERM/C	1
2	50100-AAF-100	FRAME BODY COMP.	1
3	50211-KCC-900	PLATE, ENGINE HANGER	1
4	50720-AAF-H00	HOLDER ASSY., HELMET	1
5	75581-673-000	SET SPRING, LOCK KEY	1
6	83510-KVH-760H	UTILITY BOX COMP.	1
7	83511-KVH-780ZAH	SET, UTILITY BOX R COVER	1
8	38110-AAE-H01	HORN COMP.	1
9	38117-KFE-701	COLLAR, HORN SET	1
10	83518-KVH-900	COLLAR, UTILITY BOX	2
11	83519-KVH-780ZAH	SET, UTILITY BOX L COVER	1
12	83550-KVH-900	LOCK , SIDE COVER	1
13	90111-187-000	BOLT, FLANGE. 6 MM	2
14	90116-KCC-900	BOLT FLANGE, 8 X 97	1
15	90117-KCC-900	BOLT, FLANGE, 8 X 110	1
16	93500-05020-0G	SCREW, PAN, 5 X 20	2
17	94030-08000	NUT, HEX., 8 MM	2
18	94111-08000	WASHER, SPRING, 8MM	2
19	95701-06020-07	BOLT, FLANGE, 6 X 20	1
20	90121-AAD-500	Bolt Flange 8 X 16	4
21	33714-KL3-620	RUBBER, TAIL LIGHT	2
22	95701-08016-00	BOLT, FLANGE, 8X16	2
23	94002-06000-0S	NUT, HEX 6MM	1
24	94002-08000-0S	NUT HEX.8 MM	1

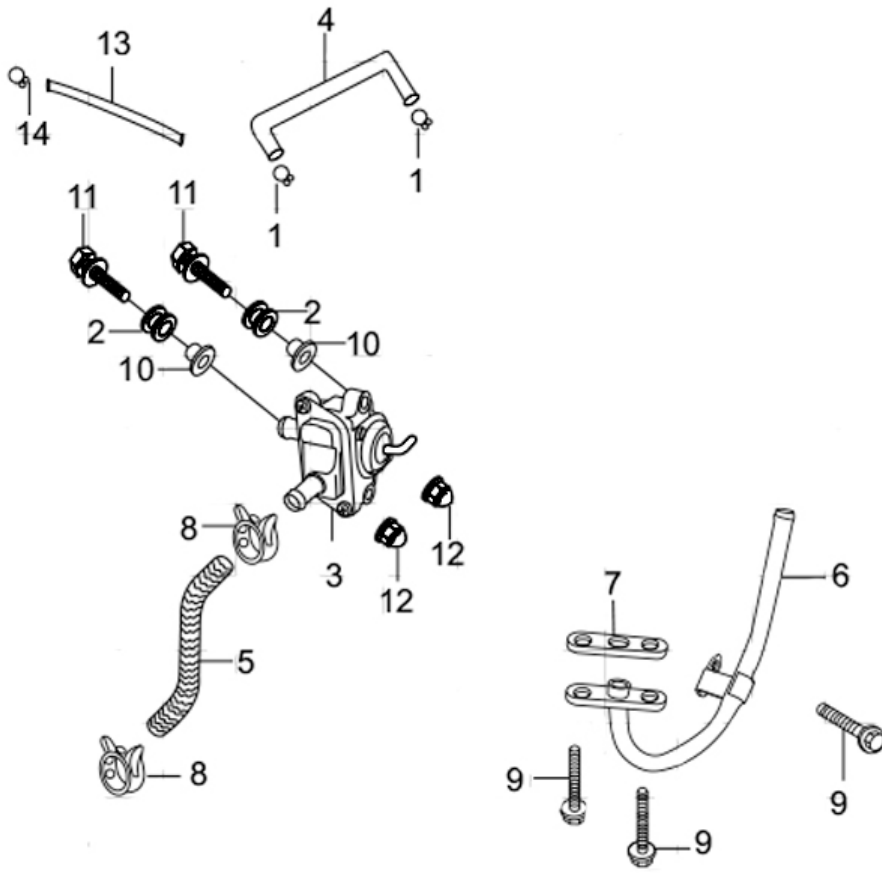
F-25-SELF : FRAME BODY / UTILITY BOX



FR.

25	95701-06012-00	BOLT, FLANGE, 6X12	2
----	----------------	--------------------	---

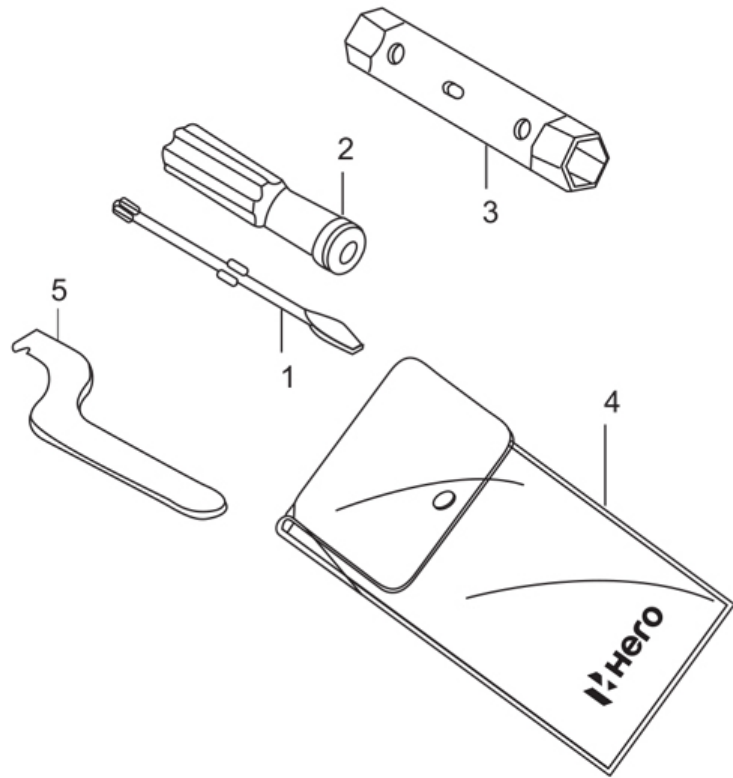
F-25A : VALVE ASSY



Group Number: F-25A Model :: Splendor iSmart (May, 2014)

Ref No.	Part Number	Description	Req.
1	17316-611-000	CLIP, BREATHER TUBE	2
2	17622-GB7-900	RUBBER, CUSHION	2
3	18600-KWA-940	VALVE ASSY. AIR SUCTION	1
4	18651-KWA-940	TUBE A AVS	1
5	18652-KWA-940	TUBE B AVS	1
6	18640-KCC-940	PIPE, COMP. AIR FEED	1
7	18645-MT4-730	GASKET, AIR FEED PIPE	1
8	19509-198-770	CLAMP D 16 TUBE	2
9	90081-GFP-900	BOLT, SOCKET FLANGE 6x23	3
10	90501-KC2-750	WASHER, REGULATOR SETTING	1
11	90111-187-000	BOLT, FLANGE. 6 MM	2
12	94021-06000-0S	NUT, HEX CAP 6MM	2
13	95005-35170-20	TUBE 3.5x170	1
14	95002-80000	CLIP,C12 TUBE	1

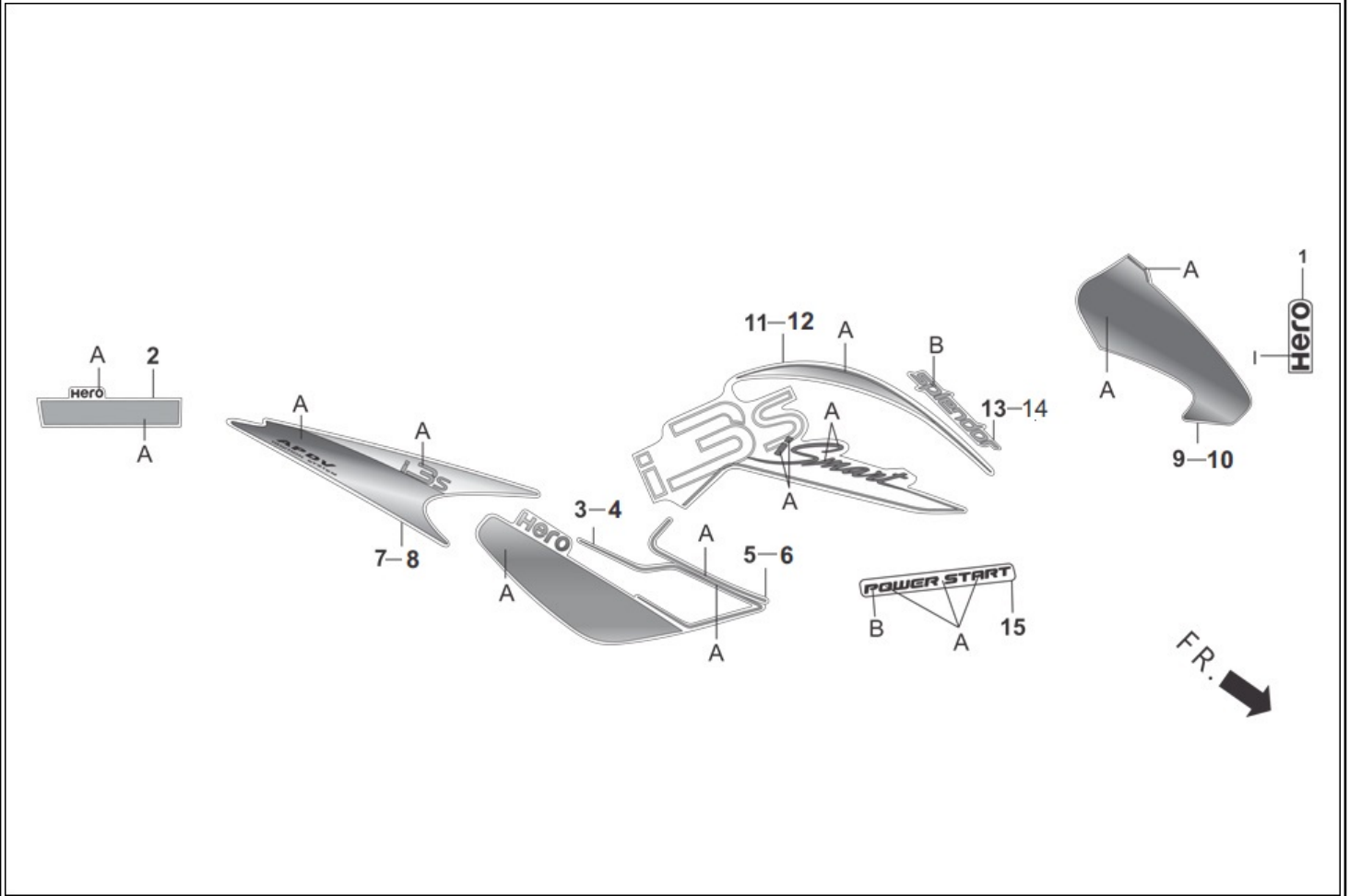
F-26 : TOOLS



Group Number: F-26 Model :: Splendor iSmart (May, 2014)

Ref No.	Part Number	Description	Req.
1	89102-538-000	SCREW, DRIVER PLUS/MINUS	1
2	89103-538-000	GRIP, SCREW DRIVER	1
3	89215-AAC-000	BOX WRENCH P16X14	1
4	89216-AAD-H00	TOOL BAG	1
5	99007-45000	PIN, SPANNER	1

F-27 : STRIPES/MARKS



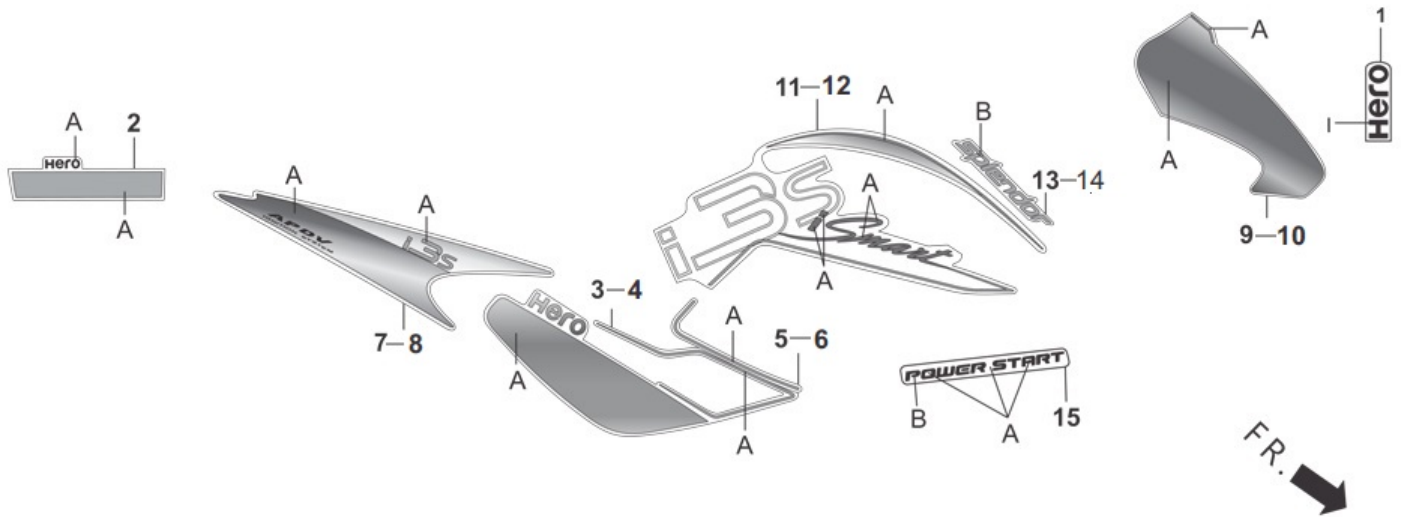
Group Number: F-27 Model :: Splendor iSmart (May, 2014)

Ref No.	Part Number	Description	Req.
1	61108-AAC-H40ZA	MARK,FR FENDER (TYPE-1)	1

SPECIFIED COLOUR CHART FOR MARK WIND SCREEN

SPECIFIED COLOUR TYPE	1	MAIN BODY COLOUR
1	WHITE 2	LEAF GREEN ME. (GY-141M)
		HEAVY GRAY ME. (NH-194-U)
		SPORTS RED (R-321)
		VIBRANT BLUE ME. (PB-195C)

F-27 : STRIPES/MARKS



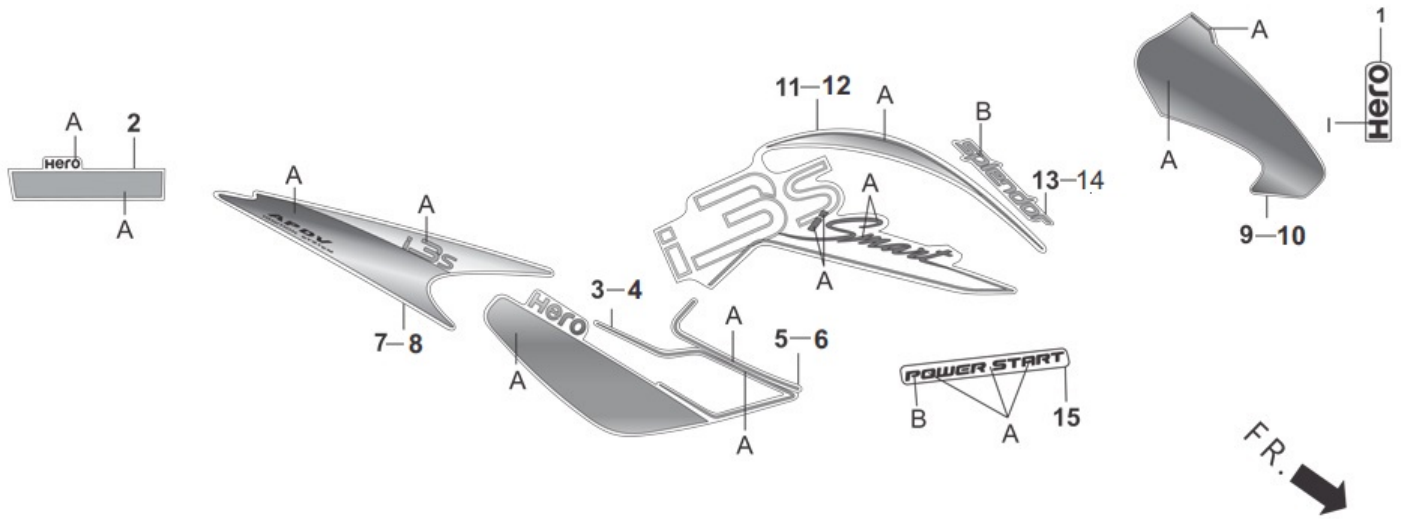
Group Number: F-27 Model :: Splendor iSmart (May, 2014)

Ref No.	Part Number	Description	Req.
2	86853-AAF-000R	STRIPE RR CENTER COWL(TY-1)	1
	86853-AAF-000S	STRIPE RR CENTER COWL(TY-2)	1
	86853-AAF-000T	STRIPE RR CENTER COWL(TY-3)	1
	86853-AAF-000U	STRIPE RR CENTER COWL(TY-4)	1
	86853-AAF-100V	STRIPE RR CENTER COWL(TYPE-5)	1
	86853-AAF-100W	STRIPE RR CENTER COWL(TYPE-6)	1

SPECIFIED COLOUR CHART FOR STRIPE REAR CENTER COWL

SPECIFIED COLOUR TYPE	A	MAIN BODY COLOUR
1	LEAF GREEN ME. (GY-141M)	LEAF GREEN ME. (GY-141M)
2	HEAVY GRAY ME. (NH-194-U)	HEAVY GRAY ME. (NH-194-U)
3	CANDY BLAZING RED (R-195C)	SPORTS RED (R-321)
4	VIBRANT BLUE ME. (PB-195C)	VIBRANT BLUE ME. (PB-195C)

F-27 : STRIPES/MARKS



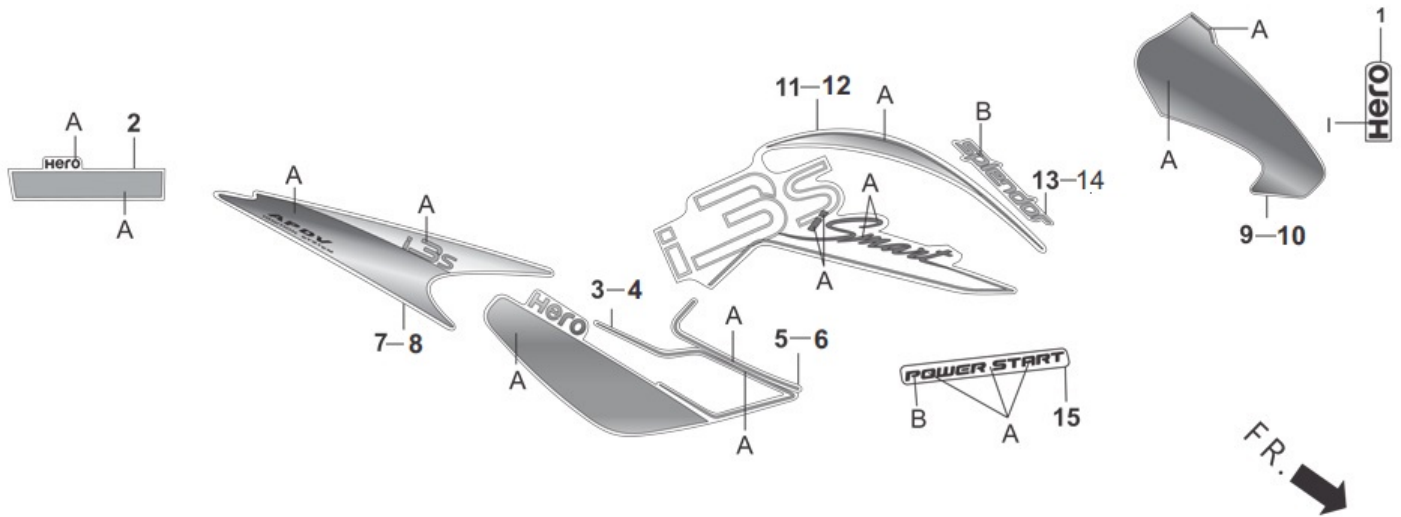
Group Number: F-27 Model :: Splendor iSmart (May, 2014)

Ref No.	Part Number	Description	Req.
3	86115-AAF-000R	STRIPE A R SIDE COVER(TY-1)	1
	86115-AAF-000S	STRIPE A R SIDE COVER(TY-2)	1
	86115-AAF-000T	STRIPE A R SIDE COVER(TY-3)	1
	86115-AAF-000U	STRIPE A R SIDE COVER(TY-4)	1
	86115-AAF-100V	STRIPE A R SIDE COVER(TYPE-5)	1
	86115-AAF-100W	STRIPE A R SIDE COVER(TYPE-6)	1

SPECIFIED COLOUR CHART FOR STRIPE 'A' RIGHT SIDE COVER

SPECIFIED COLOUR TYPE	A	B	MAIN BODY COLOUR
1	LEAF GREEN ME. (GY-141M)	CLOUD SILVER ME (NH-35M)	LEAF GREEN ME. (GY-141M)
2	HEAVY GRAY ME. (NH-194-U)	CLOUD SILVER ME (NH-35M)	HEAVY GRAY ME. (NH-194-U)
3	CANDY BLAZING RED (R-195C)	CLOUD SILVER ME (NH-35M)	SPORTS RED (R-321)
4	VIBRANT BLUE ME. (PB-195C)	CLOUD SILVER ME (NH-35M)	VIBRANT BLUE ME. (PB-195C)

F-27 : STRIPES/MARKS



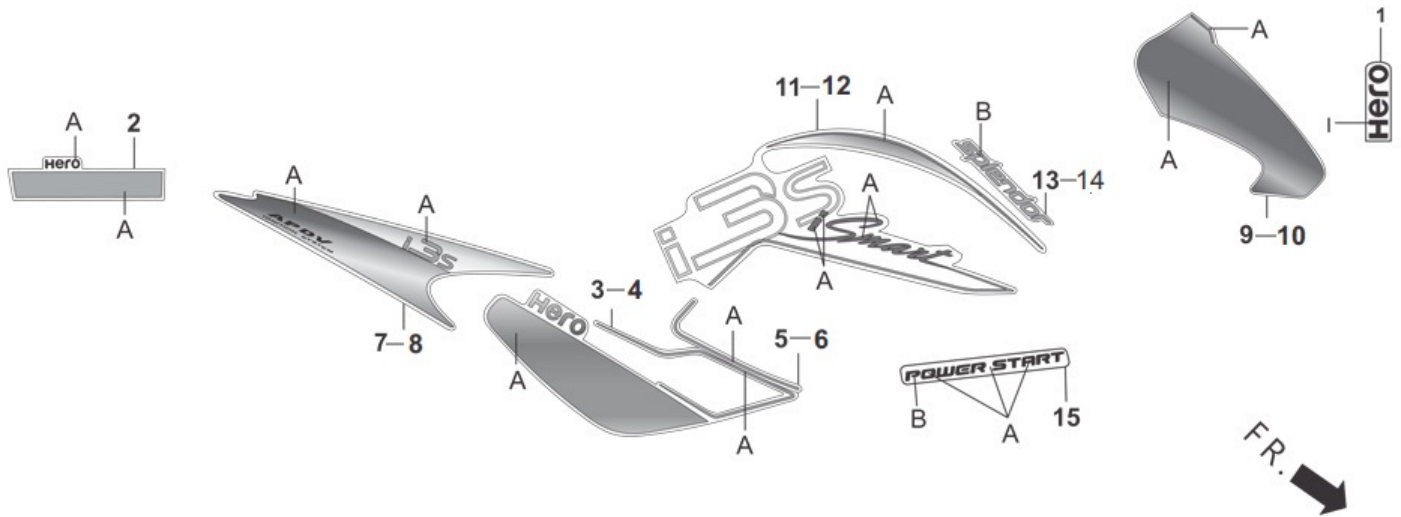
Group Number: F-27 Model :: Splendor iSmart (May, 2014)

Ref No.	Part Number	Description	Req.
4	86116-AAF-000R	STRIPE A L SIDE COVER(TY-1)	1
	86116-AAF-000S	STRIPE A L SIDE COVER(TY-2)	1
	86116-AAF-000T	STRIPE A L SIDE COVER(TY-3)	1
	86116-AAF-000U	STRIPE A L SIDE COVER(TY-4)	1
	86116-AAF-100V	STRIPE A L SIDE COVER(TYPE-5)	1
	86116-AAF-100W	STRIPE A L SIDE COVER(TYPE-6)	1

SPECIFIED COLOUR CHART FOR STRIPE 'A' LEFT SIDE COVER

SPECIFIED COLOUR TYPE	A	B	MAIN BODY COLOUR
1	LEAF GREEN ME. (GY-141M)	CLOUD SILVER ME (NH-35M)	LEAF GREEN ME. (GY-141M)
2	HEAVY GRAY ME. (NH-194-U)	CLOUD SILVER ME (NH-35M)	HEAVY GRAY ME. (NH-194-U)
3	CANDY BLAZING RED (R-195C)	CLOUD SILVER ME (NH-35M)	SPORTS RED (R-321)
4	VIBRANT BLUE ME. (PB-195C)	CLOUD SILVER ME (NH-35M)	VIBRANT BLUE ME. (PB-195C)

F-27 : STRIPES/MARKS



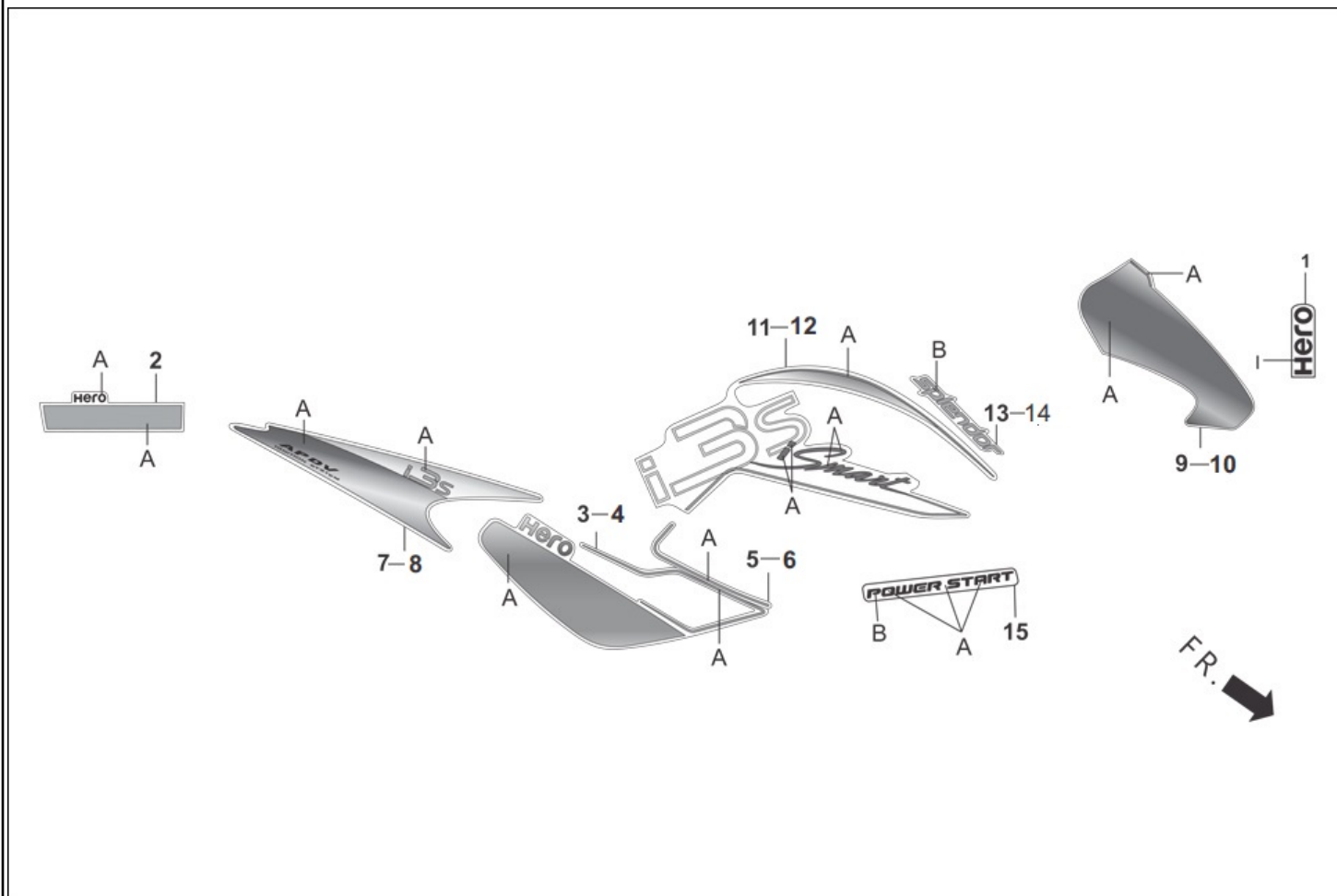
Group Number: F-27 Model :: Splendor iSmart (May, 2014)

Ref No.	Part Number	Description	Req.
5	86125-AAF-000R	STRIPE B R SIDE COVER(TY-1)	1
	86125-AAF-000S	STRIPE B R SIDE COVER(TY-2)	1
	86125-AAF-000T	STRIPE B R SIDE COVER(TY-3)	1
	86125-AAF-000U	STRIPE B R SIDE COVER(TY-4)	1
	86125-AAF-100V	STRIPE B R SIDE COVER(TYPE-5)	1
	86125-AAF-100W	STRIPE B R SIDE COVER(TYPE-6)	1

SPECIFIED COLOUR CHART FOR STRIPE 'B' RIGHT SIDE COVER

SPECIFIED COLOUR TYPE	SPECIFIED COLOUR		MAIN BODY COLOUR
	A	B	
1	LEAF GREEN ME. (GY-141M)	CLOUD SILVER ME (NH-35M)	LEAF GREEN ME. (GY-141M)
2	HEAVY GRAY ME. (NH-194-U)	CLOUD SILVER ME (NH-35M)	HEAVY GRAY ME. (NH-194-U)
3	CANDY BLAZING RED (R-195C)	CLOUD SILVER ME (NH-35M)	SPORTS RED (R-321)
4	VIBRANT BLUE ME. (PB-195C)	CLOUD SILVER ME (NH-35M)	VIBRANT BLUE ME. (PB-195C)

F-27 : STRIPES/MARKS



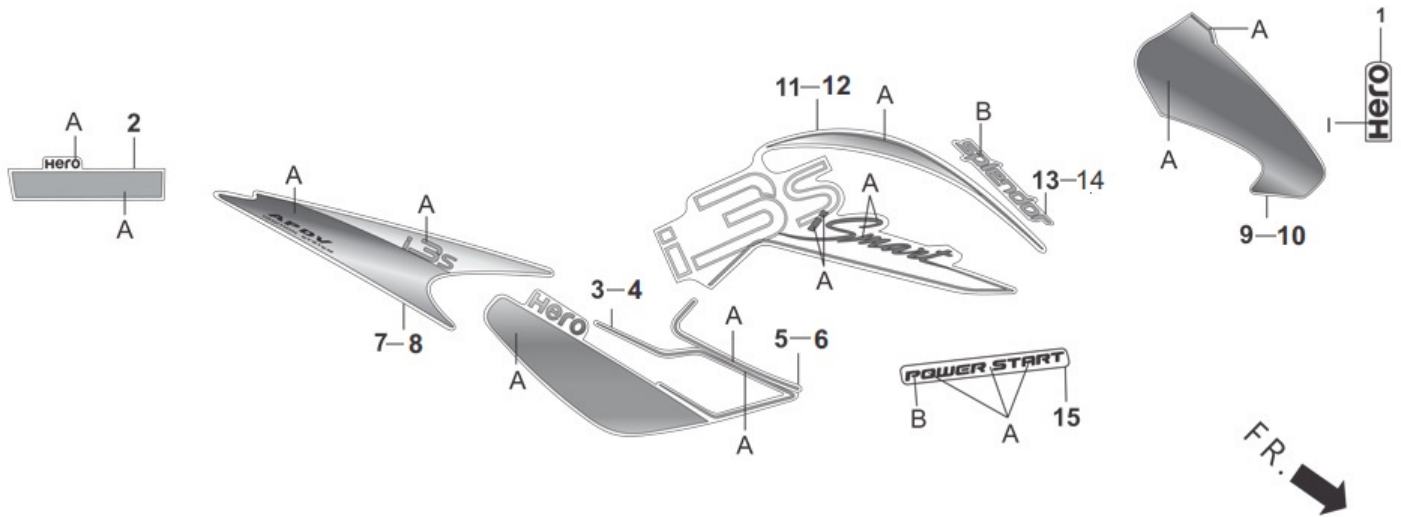
Group Number: F-27 Model :: Splendor iSmart (May, 2014)

Ref No.	Part Number	Description	Req.
6	86126-AAF-000R	STRIPE B L SIDE COVER(TY-1)	1
	86126-AAF-000S	STRIPE B L SIDE COVER(TY-2)	1
	86126-AAF-000T	STRIPE B L SIDE COVER(TY-3)	1
	86126-AAF-000U	STRIPE B L SIDE COVER(TY-4)	1
	86126-AAF-100V	STRIPE B L SIDE COVER(TYPE-5)	1
	86126-AAF-100W	STRIPE B L SIDE COVER(TYPE-6)	1

SPECIFIED COLOUR CHART FOR STRIPE 'B' LEFT SIDE COVER

SPECIFIED COLOUR TYPE	A	B	MAIN BODY COLOUR
1	LEAF GREEN ME. (GY-141M)	CLOUD SILVER ME (NH-35M)	LEAF GREEN ME. (GY-141M)
2	HEAVY GRAY ME. (NH-194-U)	CLOUD SILVER ME (NH-35M)	HEAVY GRAY ME. (NH-194-U)
3	CANDY BLAZING RED (R-195C)	CLOUD SILVER ME (NH-35M)	SPORTS RED (R-321)
4	VIBRANT BLUE ME. (PB-195C)	CLOUD SILVER ME (NH-35M)	VIBRANT BLUE ME. (PB-195C)

F-27 : STRIPES/MARKS



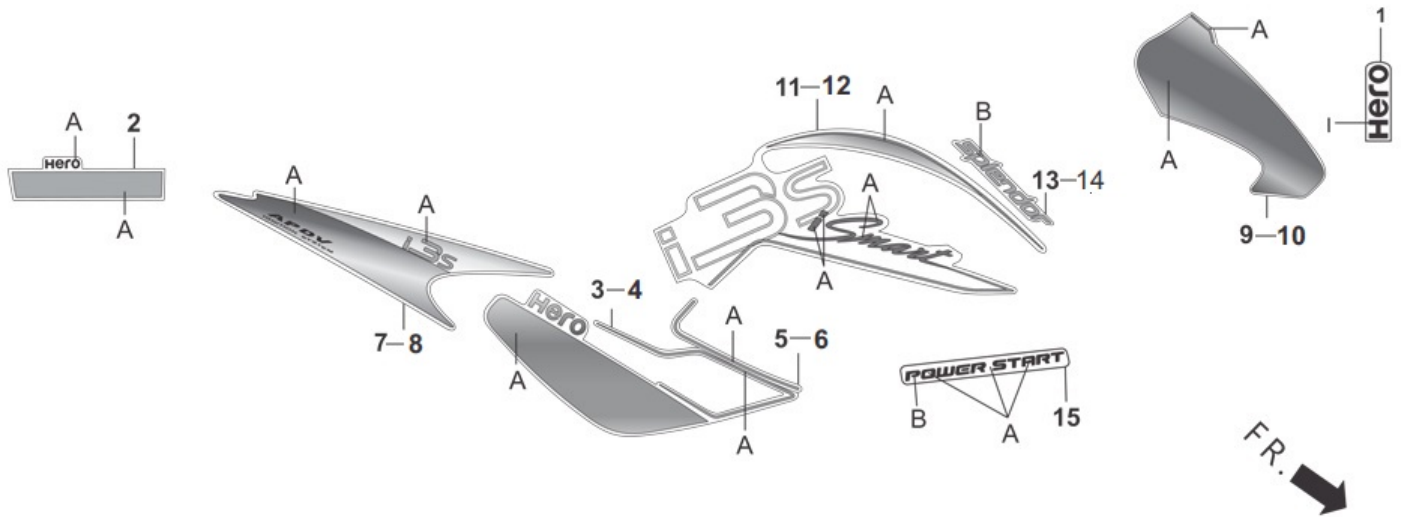
Group Number: F-27 Model :: Splendor iSmart (May, 2014)

Ref No.	Part Number	Description	Req.
7	86216-AAF-100R	STRIPE R REAR COWL (TYPE-1)	1
	86216-AAF-100S	STRIPE R REAR COWL (TYPE-2)	1
	86216-AAF-100T	STRIPE R REAR COWL (TYPE-3)	1
	86216-AAF-100U	STRIPE R REAR COWL (TYPE-4)	1
	86216-AAF-100V	STRIPE R REAR COWL (TYPE-5)	1
	86216-AAF-100W	STRIPE R REAR COWL (TYPE-6)	1

SPECIFIED COLOUR CHART FOR STRIPE RIGHT REAR COWL

SPECIFIED COLOUR TYPE	SPECIFIED COLOUR		MAIN BODY COLOUR
	A	B	
1	LEAF GREEN ME. (GY-141M)	CLOUD SILVER ME (NH-35M)	LEAF GREEN ME. (GY-141M)
2	HEAVY GRAY ME. (NH-194-U)	CLOUD SILVER ME (NH-35M)	HEAVY GRAY ME. (NH-194-U)
3	CANDY BLAZING RED (R-195C)	CLOUD SILVER ME (NH-35M)	SPORTS RED (R-321)
4	VIBRANT BLUE ME. (PB-195C)	CLOUD SILVER ME (NH-35M)	VIBRANT BLUE ME. (PB-195C)

F-27 : STRIPES/MARKS



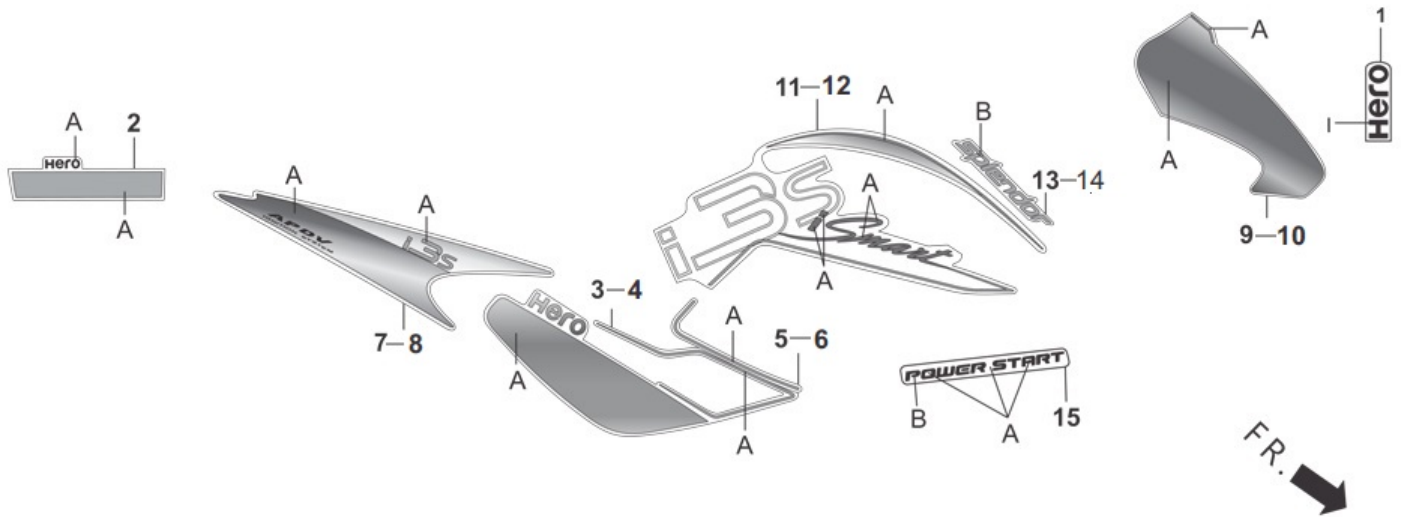
Group Number: F-27 Model :: Splendor iSmart (May, 2014)

Ref No.	Part Number	Description	Req.
8	86226-AAF-100R	STRIPE L REAR COWL (TYPE-1)	1
	86226-AAF-100S	STRIPE L REAR COWL (TYPE-2)	1
	86226-AAF-100T	STRIPE L REAR COWL (TYPE-3)	1
	86226-AAF-100U	STRIPE L REAR COWL (TYPE-4)	1
	86226-AAF-100V	STRIPE L REAR COWL (TYPE-5)	1
	86226-AAF-100W	STRIPE L REAR COWL (TYPE-6)	1

SPECIFIED COLOUR CHART FOR STRIPE LEFT REAR COWL

SPECIFIED COLOUR TYPE	A	B	MAIN BODY COLOUR
1	LEAF GREEN ME. (GY-141M)	CLOUD SILVER ME (NH-35M)	LEAF GREEN ME. (GY-141M)
2	HEAVY GRAY ME. (NH-194-U)	CLOUD SILVER ME (NH-35M)	HEAVY GRAY ME. (NH-194-U)
3	CANDY BLAZING RED (R-195C)	CLOUD SILVER ME (NH-35M)	SPORTS RED (R-321)
4	VIBRANT BLUE ME. (PB-195C)	CLOUD SILVER ME (NH-35M)	VIBRANT BLUE ME. (PB-195C)

F-27 : STRIPES/MARKS



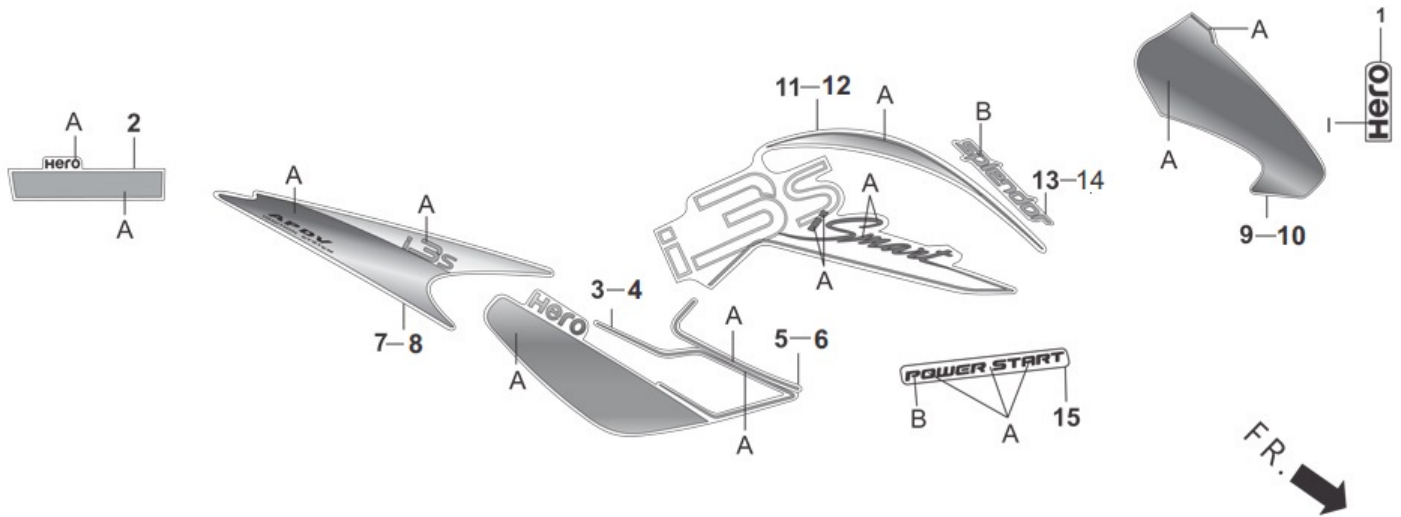
Group Number: F-27 Model :: Splendor iSmart (May, 2014)

Ref No.	Part Number	Description	Req.
9	86406-AAF-000R	STRIPE R FR COWL(TY-1)	1
	86406-AAF-000S	STRIPE R FR COWL(TY-2)	1
	86406-AAF-000T	STRIPE R FR COWL(TY-3)	1
	86406-AAF-000U	STRIPE R FR COWL(TY-4)	1
	86406-AAF-100V	STRIPE R FR COWL(TYPE-5)	1
	86406-AAF-100W	STRIPE R FR COWL(TYPE-6)	1

SPECIFIED COLOUR CHART FOR STRIPE RIGHT FRONT COWL

SPECIFIED COLOUR TYPE	A	MAIN BODY COLOUR
1	LEAF GREEN ME. (GY-141M)	LEAF GREEN ME. (GY-141M)
2	HEAVY GRAY ME. (NH-194-U)	HEAVY GRAY ME. (NH-194-U)
3	CANDY BLAZING RED (R-195C)	SPORTS RED (R-321)
4	VIBRANT BLUE ME. (PB-195C)	VIBRANT BLUE ME. (PB-195C)

F-27 : STRIPES/MARKS



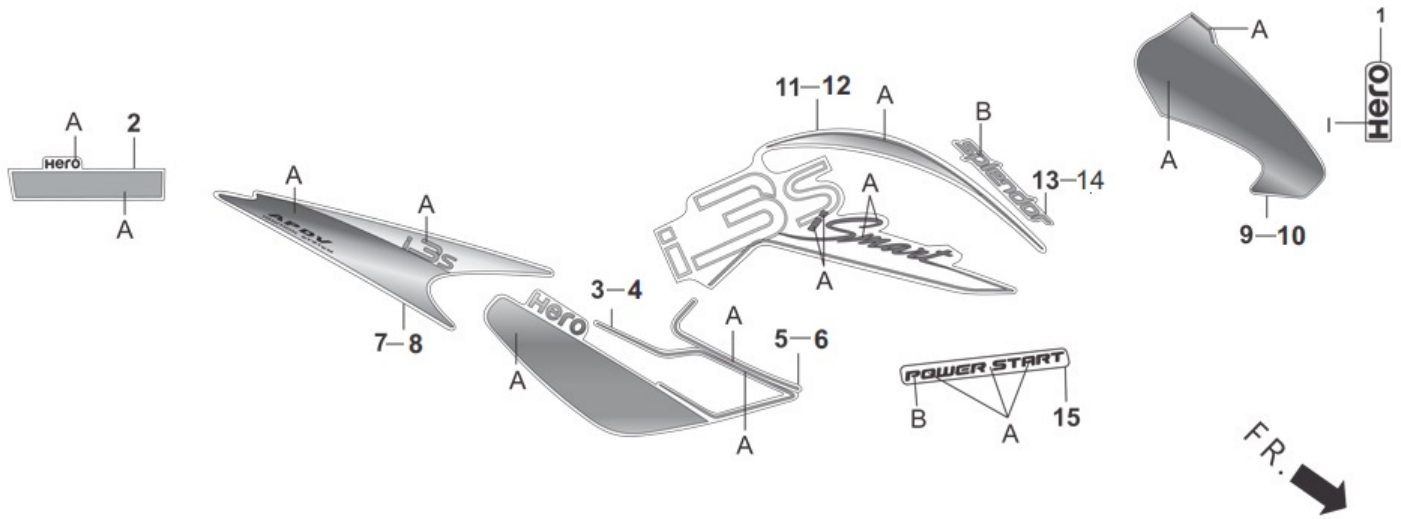
Group Number: F-27 Model :: Splendor iSmart (May, 2014)

Ref No.	Part Number	Description	Req.
10	86407-AAF-000R	STRIPE L FR COWL(TY-1)	1
	86407-AAF-000S	STRIPE L FR COWL(TY-2)	1
	86407-AAF-000T	STRIPE L FR COWL(TY-3)	1
	86407-AAF-000U	STRIPE L FR COWL(TY-4)	1
	86407-AAF-100V	STRIPE L FR COWL(TYPE-5)	1
	86407-AAF-100W	STRIPE L FR COWL(TYPE-6)	1

SPECIFIED COLOUR CHART FOR STRIPE LEFT FRONT COWL

SPECIFIED COLOUR TYPE	A	MAIN BODY COLOUR
1	LEAF GREEN ME. (GY-141M)	LEAF GREEN ME. (GY-141M)
2	HEAVY GRAY ME. (NH-194-U)	HEAVY GRAY ME. (NH-194-U)
3	CANDY BLAZING RED (R-195C)	SPORTS RED (R-321)
4	VIBRANT BLUE ME. (PB-195C)	VIBRANT BLUE ME. (PB-195C)

F-27 : STRIPES/MARKS



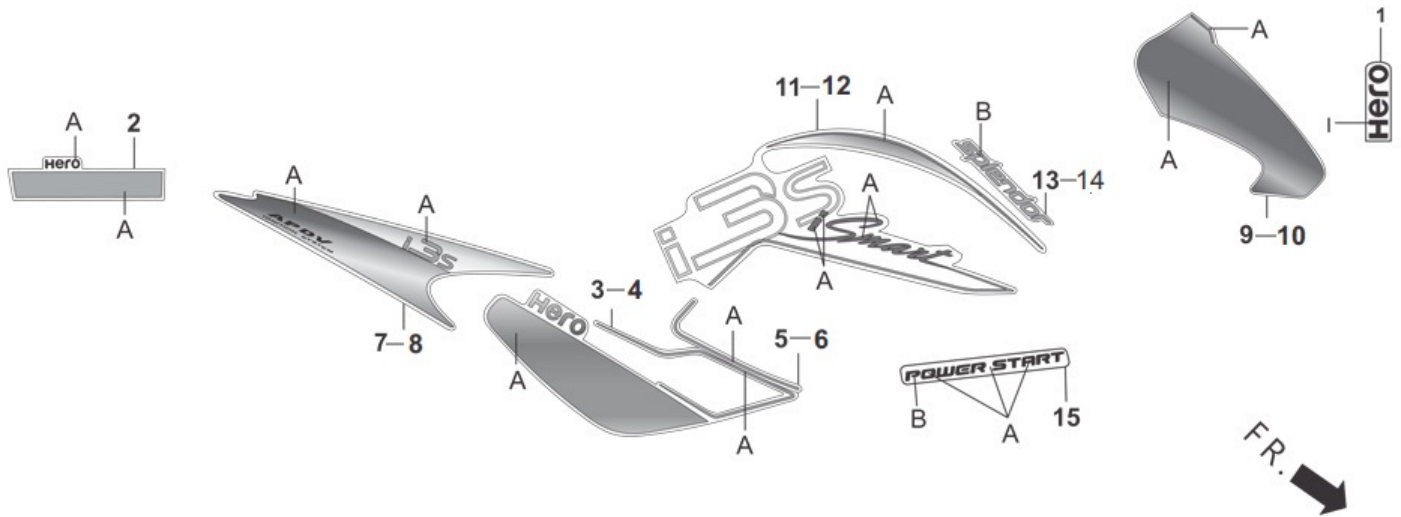
Group Number: F-27 Model :: Splendor iSmart (May, 2014)

Ref No.	Part Number	Description	Req.
11	86515-AAF-100R	STRIPE A. R. FUEL TANK (TYPE-1)	1
	86515-AAF-100S	STRIPE A. R. FUEL TANK (TYPE-2)	1
	86515-AAF-100T	STRIPE A. R. FUEL TANK (TYPE-3)	1
	86515-AAF-100U	STRIPE A. R. FUEL TANK (TYPE-4)	1
	86515-AAF-100V	STRIPE A. R. FUEL TANK (TYPE-5)	1
	86515-AAF-100W	STRIPE A. R. FUEL TANK (TYPE-6)	1

SPECIFIED COLOUR CHART FOR STRIPE 'A' RIGHT FUEL TANK

SPECIFIED COLOUR TYPE	A	B	C	MAIN BODY COLOUR
1	LEAF GREEN ME. (GY-141M)	CLOUD SILVER ME (NH-35M)	BLACK (NH-1)	LEAF GREEN ME. (GY-141M)
2	HEAVY GRAY ME. (NH-194-U)	CLOUD SILVER ME (NH-35M)	BLACK (NH-1)	HEAVY GRAY ME. (NH-194-U)
3	CANDY BLAZING RED (R-195C)	CLOUD SILVER ME (NH-35M)	BLACK (NH-1)	SPORTS RED (R-321)
4	VIBRANT BLUE ME. (PB-195C)	CLOUD SILVER ME (NH-35M)	BLACK (NH-1)	VIBRANT BLUE ME. (PB-195C)

F-27 : STRIPES/MARKS



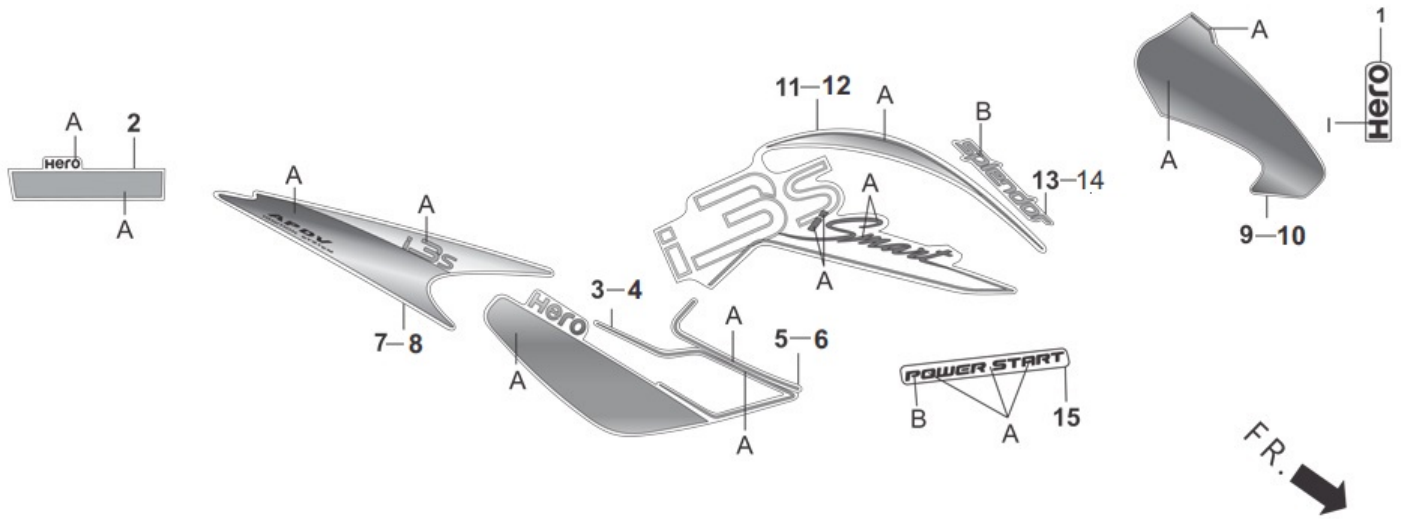
Group Number: F-27 Model :: Splendor iSmart (May, 2014)

Ref No.	Part Number	Description	Req.
12	86516-AAF-100R	STRIPE A. L. FUEL TANK (TYPE-1)	1
	86516-AAF-100S	STRIPE A. L. FUEL TANK (TYPE-2)	1
	86516-AAF-100T	STRIPE A. L. FUEL TANK (TYPE-3)	1
	86516-AAF-100U	STRIPE A. L. FUEL TANK (TYPE-4)	1
	86516-AAF-100V	STRIPE A. L. FUEL TANK (TYPE-5)	1
	86516-AAF-100W	STRIPE A. L. FUEL TANK (TYPE-6)	1

SPECIFIED COLOUR CHART FOR STRIPE 'A' LEFT FUEL TANK

SPECIFIED COLOUR TYPE	A	B	C	MAIN BODY COLOUR
1	LEAF GREEN ME. (GY-141M)	CLOUD SILVER ME (NH-35M)	BLACK (NH-1)	LEAF GREEN ME. (GY-141M)
2	HEAVY GRAY ME. (NH-194-U)	CLOUD SILVER ME (NH-35M)	BLACK (NH-1)	HEAVY GRAY ME. (NH-194-U)
3	CANDY BLAZING RED (R-195C)	CLOUD SILVER ME (NH-35M)	BLACK (NH-1)	SPORTS RED (R-321)
4	VIBRANT BLUE ME. (PB-195C)	CLOUD SILVER ME (NH-35M)	BLACK (NH-1)	VIBRANT BLUE ME. (PB-195C)

F-27 : STRIPES/MARKS



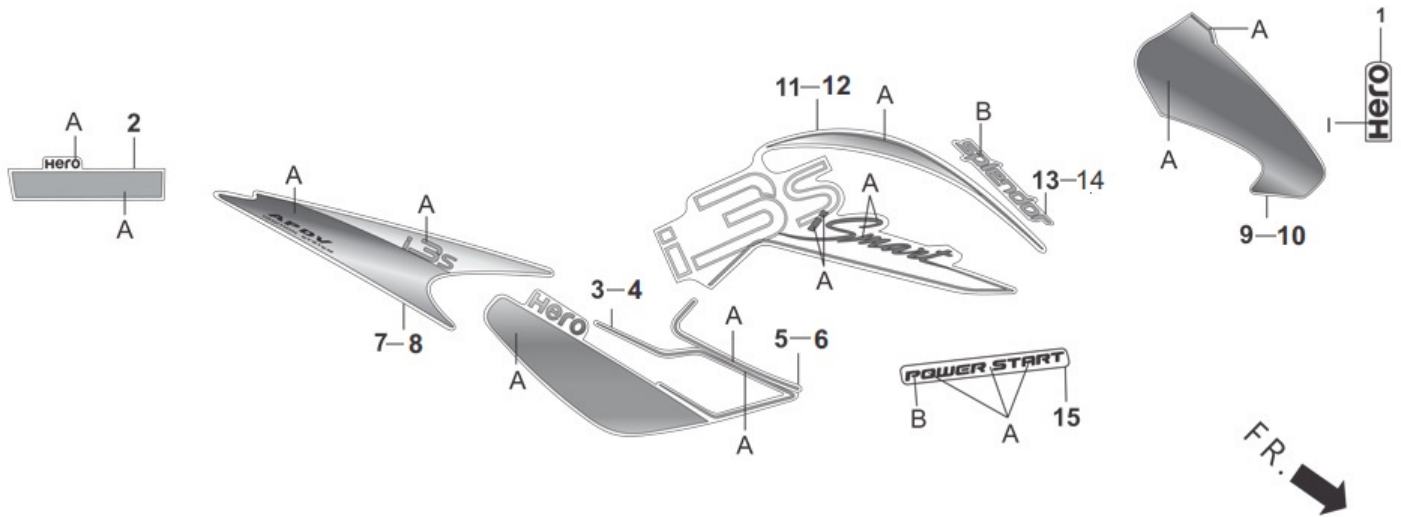
Group Number: F-27 Model :: Splendor iSmart (May, 2014)

Ref No.	Part Number	Description	Req.
13	86521-AAF-100R	STRIPE B. R. FUEL TANK (TYPE-1)	1
	86521-AAF-100S	STRIPE B. R. FUEL TANK (TYPE-2)	1
	86521-AAF-100T	STRIPE B. R. FUEL TANK (TYPE-3)	1
	86521-AAF-100U	STRIPE B. R. FUEL TANK (TYPE-4)	1
	86521-AAF-100V	STRIPE B. R. FUEL TANK (TYPE-5)	1
	86521-AAF-100W	STRIPE B. R. FUEL TANK (TYPE-6)	1

SPECIFIED COLOUR CHART FOR STRIPE 'B' RIGHT FUEL TANK

SPECIFIED COLOUR TYPE	A	B	C	MAIN BODY COLOUR
1	LEAF GREEN ME. (GY-141M)	CLOUD SILVER ME (NH-35M)	BLACK (NH-1)	LEAF GREEN ME. (GY-141M)
2	HEAVY GRAY ME. (NH-194-U)	CLOUD SILVER ME (NH-35M)	BLACK (NH-1)	HEAVY GRAY ME. (NH-194-U)
3	CANDY BLAZING RED (R-195C)	CLOUD SILVER ME (NH-35M)	BLACK (NH-1)	SPORTS RED (R-321)
4	VIBRANT BLUE ME. (PB-195C)	CLOUD SILVER ME (NH-35M)	BLACK (NH-1)	VIBRANT BLUE ME. (PB-195C)

F-27 : STRIPES/MARKS



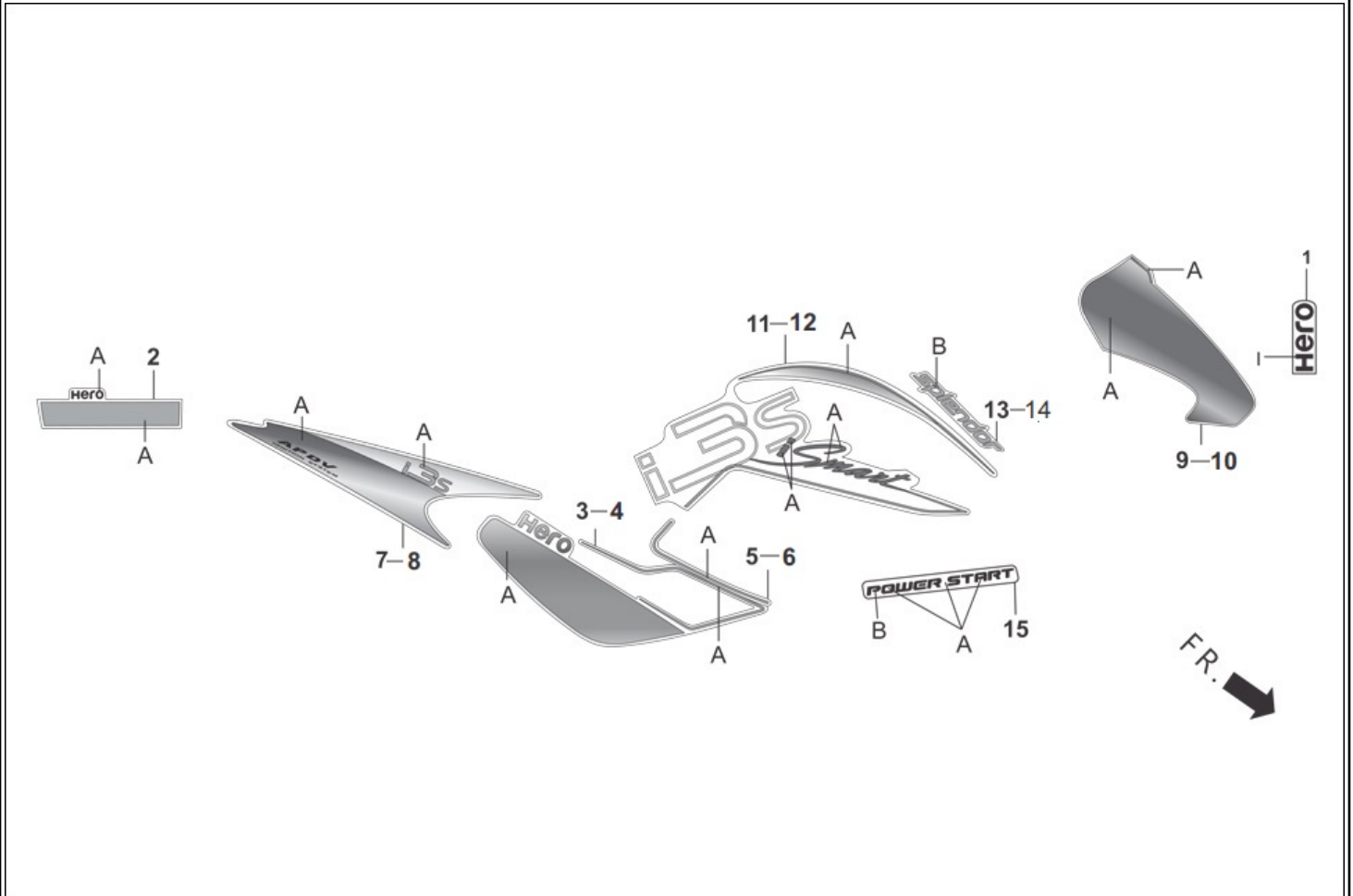
Group Number: F-27 Model :: Splendor iSmart (May, 2014)

Ref No.	Part Number	Description	Req.
14	86522-AAF-100R	STRIPE B. L. FUEL TANK (TYPE-1)	1
	86522-AAF-100S	STRIPE B. L. FUEL TANK (TYPE-2)	1
	86522-AAF-100T	STRIPE B. L. FUEL TANK (TYPE-3)	1
	86522-AAF-100U	STRIPE B. L. FUEL TANK (TYPE-4)	1
	86522-AAF-100V	STRIPE B. L. FUEL TANK (TYPE-5)	1
	86522-AAF-100W	STRIPE B. L. FUEL TANK (TYPE-6)	1

SPECIFIED COLOUR CHART FOR STRIPE 'B' LEFT FUEL TANK

SPECIFIED COLOUR TYPE	A	B	C	MAIN BODY COLOUR
1	LEAF GREEN ME. (GY-141M)	CLOUD SILVER ME (NH-35M)	BLACK (NH-1)	LEAF GREEN ME. (GY-141M)
2	HEAVY GRAY ME. (NH-194-U)	CLOUD SILVER ME (NH-35M)	BLACK (NH-1)	HEAVY GRAY ME. (NH-194-U)
3	CANDY BLAZING RED (R-195C)	CLOUD SILVER ME (NH-35M)	BLACK (NH-1)	SPORTS RED (R-321)
4	VIBRANT BLUE ME. (PB-195C)	CLOUD SILVER ME (NH-35M)	BLACK (NH-1)	VIBRANT BLUE ME. (PB-195C)

F-27 : STRIPES/MARKS



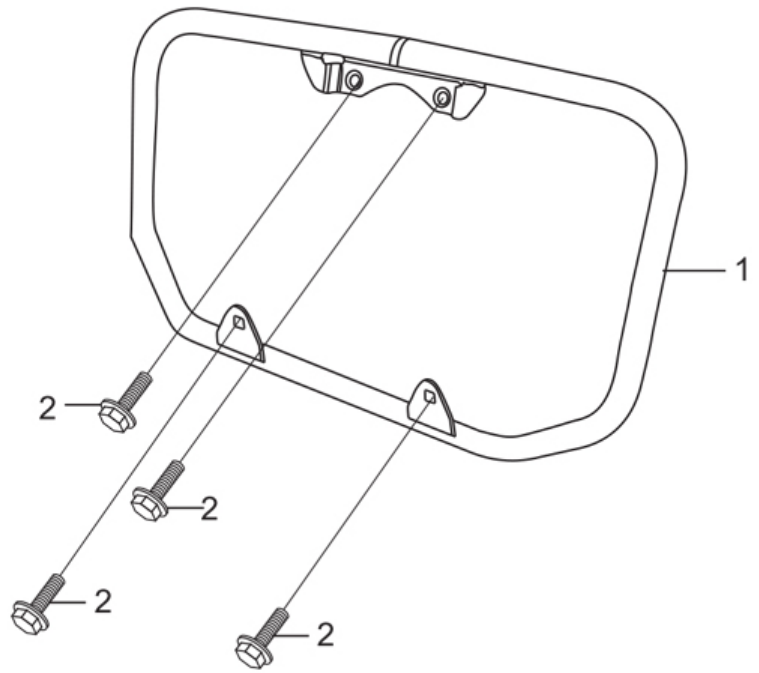
Group Number: F-27 Model :: Splendor iSmart (May, 2014)

Ref No.	Part Number	Description	Req.
15	86511-KVH-780	MARK, UTILITY BOX COVER (TYPE-1)	1

SPECIFIED COLOUR CHART FOR STRIPE MARK UTILITY BOX COVER

SPECIFIED COLOUR TYPE	A	B	MAIN BODY COLOUR
			1

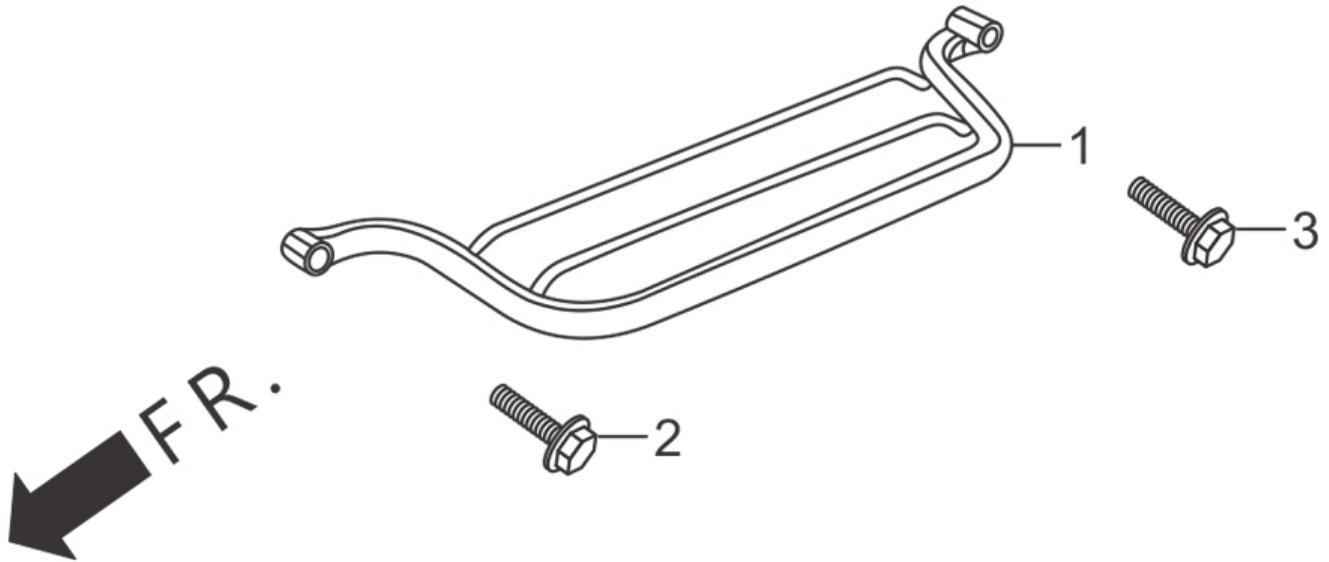
F-28 : GUARD ENGINE ACCESSORIES



Group Number: F-28 **Model ::** Splendor iSmart (May, 2014)

Ref No.	Part Number	Description	Req.
1	50803-KVH-760	GUARD, ENGINE	1
2	95701-08016-00	BOLT, FLANGE, 8X16	4

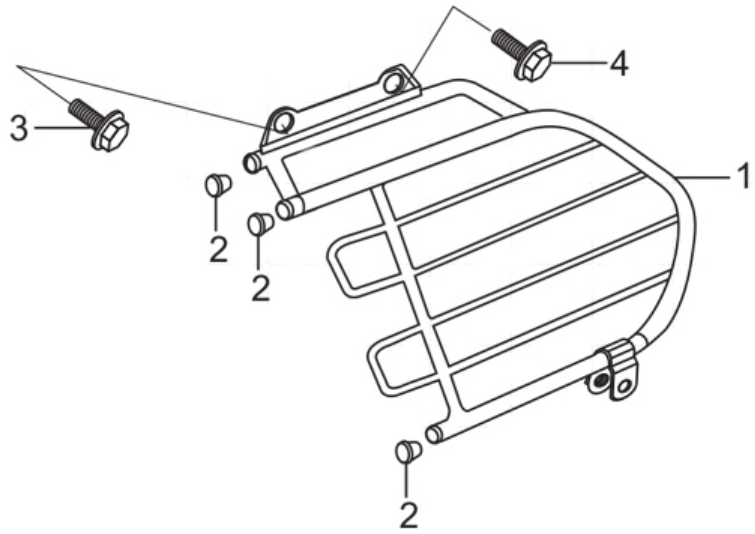
F-29 : STEP WOMEN OPTIONAL



Group Number: F-29 **Model ::** Splendor iSmart (May, 2014)

Ref No.	Part Number	Description	Req.
1	51104-KVH-760	STEP, WOMEN	1
2	95701-08030-00	BOLT,FLANGE, 8 X 30	1
3	95701-08035-00	BOLT, FLANGE, 8 X 35	1

F-29A : GUARD SARI STANDARD

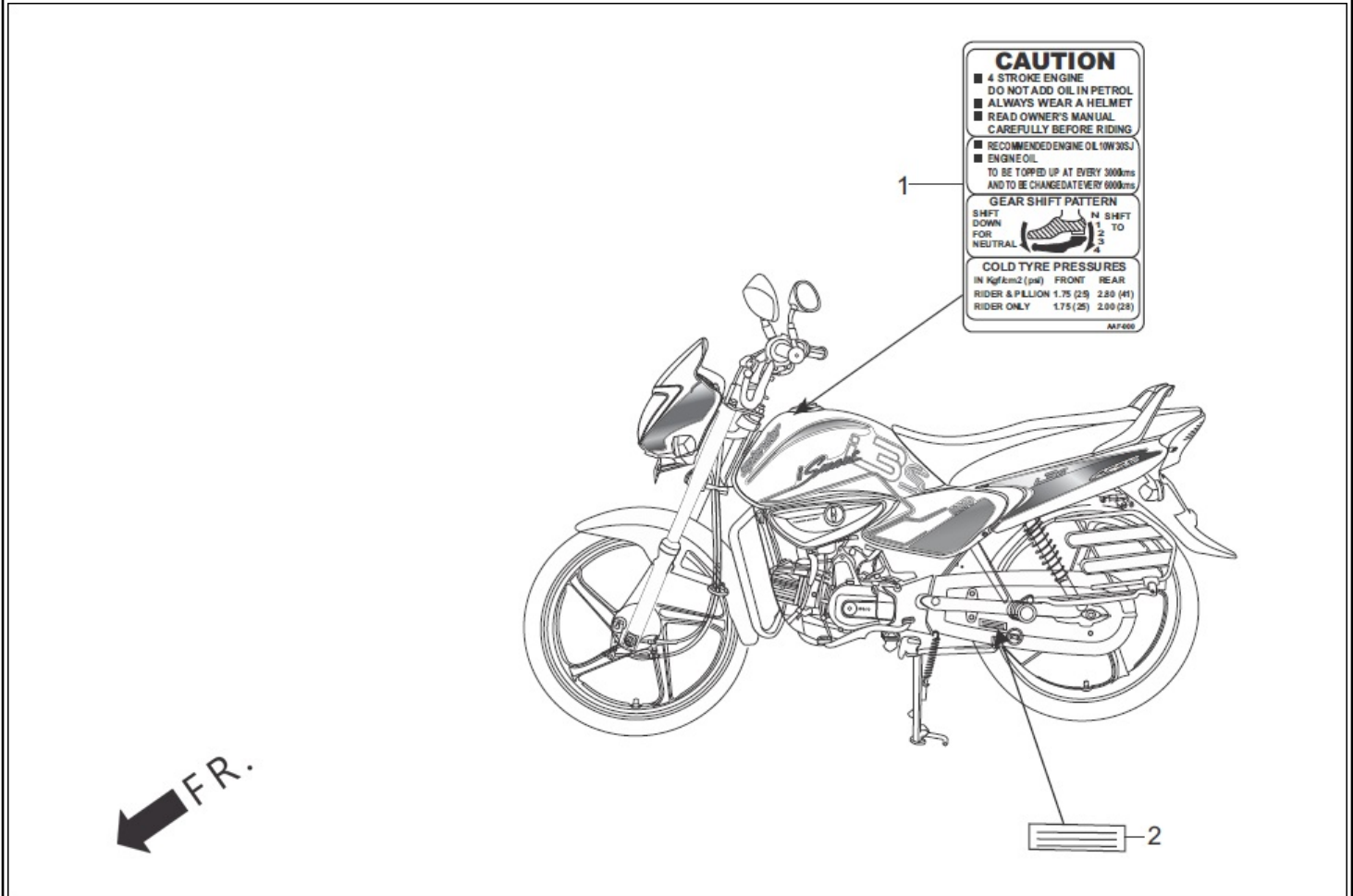


FR.

Group Number: F-29A **Model ::** Splendor iSmart (May, 2014)

Ref No.	Part Number	Description	Req.
1	51103-KVH-760	GUARD, SARI .	1
2	51106-KCC-900	CAP, GUARD SARI	3
3	95701-06016-08	BOLT , FLANGE 6 X 16	1
4	95701-08030-00	BOLT,FLANGE, 8 X 30	1

F-30 : MARK CAUTION



Group Number: F-30 Model :: Splendor iSmart (May, 2014)

Ref No.	Part Number	Description	Req.
1	87501-AAF-100	MARK CAUTION	1
	87501-AAF-000	MARK CAUTION	1
2	87507-MZ8-W00	LABEL, CHAIN DRIVE	1

PARTS INDEX

PART NO	BLOCK	PART NO	BLOCK
2830A-KWA-941	F-17	14311-035-000	E-9
3310B-AAF-H01	F-1	14321-AAAD-200	E-4
3340A-KVH-761	F-22	14401-AAAD-00099	E-4
3345A-KVH-761	F-22	14430-KST-940	E-3
3360A-KTR-861	F-22	14451-KST-940	E-3
3365A-KVH-761	F-22	14500-035-020	E-4
3370B-AAF-041	F-23	14502-086-000R	E-4
5313A-AAH-H20	F-4	14531-035-000	E-4
7720A-AAF-000	F-12	14541-GB4-681	E-4
11100-KWA-900	E-8-SELF	14550-GB0-910R	E-4
11191-AAH-00099	E-8-SELF	14566-086-030	E-4
11200-KWA-941	E-8-SELF	14610-086-000R	E-4
11321-KWA-940	E-7-SELF	14615-035-010	E-4
11321-KWA-940	E-7B-SELF	14670-035-030L	E-4
11330-AAF-H00	E-5	14675-178-000	E-4
11341-AAF-H10	E-7-SELF	14711-GN5-910L	E-3
11341-AAF-H10	E-7A-SELF	14721-AAE-H10	E-3
11360-KVH-761	E-7-SELF	14751-GBG-900	E-3
11360-KVH-761	E-7A-SELF	14761-GBG-900	E-3
11394-AAH-00099	E-5	14771-GB4-680	E-3
11395-AAH-000	E-7A-SELF	14775-MA6-000	E-3
12101-KST-940	E-2	14781-MA6-000	E-3
12101-KST-940	E-2A	15100-KCC-900	E-8-SELF
12191-GS4-762	E-2	15119-178-000	E-8-SELF
12191-GS4-762	E-2A	15384-178-000	E-8-SELF
12200-AAF-010	E-2	15421-035-010	E-8-SELF
12200-AAH-500	E-2A	15431-198-000	E-6
12209-GB4-685	E-3	15439-AAH-00099	E-6
12237-GB4-305	E-2	15441-198-000	E-6
12237-GB4-305	E-2A	15650-AAC-H00	E-5
12245-GB4-305	E-2	15661-198-000	E-6
12245-GB4-305	E-2A	16010-KWA-931	E-13
12251-KST-942	E-2	16012-AAF-000	E-13
12251-KST-942	E-2A	16013-KRB-901	E-13
12301-KWA-900	E-1	16014-KPH-901	E-13
12301-KWA-900	E-1A	16015-KVW-921	E-13
12331-KVH-950	E-1	16016-KPH-651	E-13
12331-KVH-950	E-1A	16022-KWA-931	E-13
12341-KWA-900	E-1	16028-KPH-901	E-13
12341-KWA-900	E-1A	16037-KPH-901	E-13
12361-035-000	E-1	16060-KWA-933	E-13
12361-035-000	E-1A	16075-KTC-901	E-13
12391-AAH-00099	E-1	16076-KPL-901	E-13
12391-AAH-00099	E-1A	16100-AAF-101	E-13
12394-AAH-00099	E-1	16118-KST-901	E-13
12394-AAH-00099	E-1A	16148-KPL-901	E-13
12395-AAH-00099	E-1	16155-KRS-861	E-13
12395-AAH-00099	E-1A	16163-GFP-901	E-13
13000-AAF-000	E-9	16165-KWA-931	E-13
13011-AAF-00099	E-9	16173-001-000	F-13
13012-AAF-00099	E-9	16199-KWA-931	E-13
13013-AAF-00099	E-9	16201-KWB-920	E-1
13014-AAF-00099	E-9	16201-AAE-001	E-1
13015-AAF-00099	E-9	16201-KWB-920	E-1A
13101-AAF-00099	E-9	16201-AAE-001	E-1A
13102-AAF-00099	E-9	16211-459-750	E-1
13103-AAF-00099	E-9	16211-459-750	E-1A
13104-AAF-00099	E-9	16236-045-010	E-8-SELF
13105-AAF-00099	E-9	16950-KVH-900	F-13
13111-087-000	E-9	16952-KVH-900	F-13
13115-001-000	E-9	16955-KVH-900	F-13
13201-GF6-300	E-9	16959-HB3-000	F-13
13381-KCC-900L	E-9	16967-GA6-671	F-13
14100-AAH-H41	E-3	17110-KCC-870	E-1

PART NO	BLOCK	PART NO	BLOCK
17110-AAF-100	E-1A	23451-GK4-761	E-10
17210-KWA-840	F-15	23461-GK4-760	E-10
17212-KTC-900	F-15	23471-GN5-910	E-10
17213-KWA-940	F-15	23481-HF7-000	E-10
17214-KWA-840	F-15	23801-178-000	E-10
17218-KTC-900	F-15	23802-040-000	E-10
17219-KTC-900	F-15	24211-GF6-000R	E-12
17220-KVH-760	F-15	24261-121-742	E-12
17224-KVH-760	F-15	24263-028-000	E-12
17234-KCC-940	F-15	24301-KWA-930	E-12
17251-KWA-940	F-15	24411-198-900	E-12
17253-KTC-900	F-15	24421-200-000	E-12
17316-611-000	F-25A	24425-198-900	E-12
17369-198-770	F-15	24430-KST-900	E-12
17371-KWA-940	E-8-SELF	24435-GB4-770	E-12
17505-AAF-100R	F-13	24610-KST-940	E-12
17505-AAF-100S	F-13	24639-035-000L	E-12
17505-AAF-100T	F-13	24641-041-000	E-12
17505-AAF-100U	F-13	24651-035-000L	E-12
17505-AAF-100V	F-13	24652-035-000	E-12
17505-AAF-100W	F-13	24701-KWA-940	F-17
17506-KVH-900	F-13	28101-KWA-940	E-7B-SELF
17509-398-960	F-12	28102-KWA-940	E-7B-SELF
17611-KRM-860	F-13	28103-GB4-700	E-7B-SELF
17613-KCC-900	F-13	28110-AAD-H40	E-7B-SELF
17620-KST-H61	F-13	28117-KFL-850	E-7B-SELF
17622-GB7-900	F-25A	28120-KWA-942	E-7B-SELF
17681-KVH-760	F-13	28211-AAF-000	E-11
17910-KVH-760	F-3-SELF	28221-198-010	E-11
18291-KTC-900	F-16	28251-GF6-000	E-11
18293-KPK-900	F-16	28253-397-000	E-11
18345-MBT-610	F-16	28254-198-000	E-11
18350-AAF-101	F-16	28256-198-000	E-11
18355-KVH-760	F-16	28261-198-000	E-11
18600-KWA-940	F-25A	28262-198-000	E-11
18640-KCC-940	F-25A	28293-KAG-900	F-17
18645-MT4-730	F-25A	28302-KWA-940	F-17
18651-KST-900	F-15	28321-427-770	F-17
18651-KWA-940	F-25A	28333-124-000	F-17
18652-KWA-940	F-25A	28333-300-000	F-17
18655-KWA-940	E-1	30401-KTE-910	F-24-SELF
19509-198-770	F-25A	30410-AAF-001	F-24-SELF
22110-AAH-H40	E-6	30455-AAF-040	F-24-SELF
22121-198-900	E-6	30460-AAF-040	F-24-SELF
22201-GF6-000	E-6	30500-AAF-H00	F-24-SELF
22311-107-000	E-6	30700-KWA-831	F-24-SELF
22350-115-020	E-6	31100-AAF-01099	E-7-SELF
22361-KST-940	E-6	31100-AAF-01099	E-7A-SELF
22401-GF6-000	E-6	31110-KWA-941	E-7-SELF
22810-198-000	E-5	31110-KWA-941	E-7A-SELF
22815-166-000	E-5	31120-AAF-01099	E-7-SELF
22847-KCC-900	E-6	31120-AAF-01099	E-7A-SELF
22870-KWA-910	F-3-SELF	31201-KG8-004	E-7C-SELF
22871-116-670	F-3-SELF	31202-GB2-700L	E-7C-SELF
23112-AAJ-H10	E-6	31204-KG8-004	E-7C-SELF
23121-KST-901	E-6	31205-KWA-942	E-7C-SELF
23211-GF6-000	E-10	31208-KWA-941	E-7C-SELF
23216-GF6-000	E-6	31210-AAF-011	E-7C-SELF
23217-GF6-000L	E-6	31211-KWA-942	E-7C-SELF
23221-GF6-000	E-10	31213-GB4-701L	E-7C-SELF
23421-GB4-770	E-10	31500-KVT-801	F-24-SELF
23422-GB4-770	E-10	31600-KWA-831	F-24-SELF
23431-GN5-910	E-10	31917-AAC-H00	E-1
23441-GB4-770	E-10	31917-AAC-H00	E-1A

PART NO	BLOCK	PART NO	BLOCK
32100-AAF-040	F-24-SELF	37300-AAF-041	F-2
32161-404-000	F-3-SELF	37305-KE5-000	F-2
32410-KVH-871	E-7C-SELF	37312-KTE-910	F-2
32712-ZA0-000	F-25-SELF	37800-KVH-870	F-13
32961-KST-940	E-7-SELF	38110-AAE-H01	F-25-SELF
32961-KST-940	E-7A-SELF	38117-KFE-701	F-25-SELF
32981-GB4-780	E-7-SELF	38301-KWA-931	F-24-SELF
32981-GB4-780	E-7A-SELF	38306-GE7-000	F-24-SELF
33108-KRY-900	F-1	38501-KTP-890	F-24-SELF
33110-AAF-H01	F-1	38502-KSP-910	F-24-SELF
33112-KVH-900	F-1	38506-KSP-910	F-24-SELF
33128-KVH-900	F-1	38506-KWA-840	F-24-SELF
33150-KVH-900	F-1	40510-KST-940	F-19
33401-KTR-901	F-22	40520-KST-940	F-19
33403-KTR-841	F-22	40530-KST-940	F-19
33406-KTR-901	F-22	40531-KTE-910	F-19
33415-KVH-761	F-22	40543-198-900	F-10
33451-KTR-901	F-22	40544-198-900	F-11-CAST
33453-KTR-841	F-22	40544-198-900	F-11-SPOKE
33465-KVH-761	F-22	40545-001-000	F-19
33491-KAF-000	F-22	41201-KST-940	F-11-CAST
33491-KRC-900	F-22	41201-KST-940	F-11-SPOKE
33603-KTR-841	F-22	41241-KST-941	F-11-CAST
33615-KTR-861	F-22	41241-KST-941	F-11-SPOKE
33619-459-840	F-16	42301-ABA-000	F-11-CAST
33653-KTR-841	F-22	42301-ABA-000	F-11-SPOKE
33703-AAF-041	F-23	42303-KST-940	F-11-CAST
33704-AAF-H00	F-23	42303-KST-940	F-11-SPOKE
33706-KVH-900	F-1	42304-198-900	F-11-CAST
33709-KVH-900	F-23	42304-198-900	F-11-SPOKE
33714-KL3-620	F-21	42313-198-900	F-10
33714-KL3-620	F-25-SELF	42601-AAF-030	F-11-CAST
33741-KAK-971	F-6	42601-KST-940	F-11-SPOKE
33741-KST-920	F-21	42603-198-900	F-9-SPOKE
34901-KSP-910	F-1	42603-198-900	F-11-SPOKE
34906-447-710	F-23	42611-KST-940	F-11-CAST
34908-KVE-900	F-2	42611-KST-940	F-11-SPOKE
34909-KVH-900	F-2	42615-198-900	F-11-CAST
34920-AAG-300	F-1	42615-198-900	F-11-SPOKE
34930-AAC-700	F-22	42620-GB6-920	F-11-CAST
34930-AAC-700	F-22	42620-198-900	F-11-SPOKE
35010-AAF-H01	F-2	42622-AAF-001	F-11-CAST
35100-AAF-H00	F-2	42653-001-000	F-11-CAST
35121-AAF-H00	F-2	42653-001-000	F-11-SPOKE
35122-AAF-H00	F-2	42711-AAF-00099	F-11-CAST
35130-AAD-00099	F-18-SELF	42711-AAF-00099	F-11-SPOKE
35140-AAD-00099	F-18-SELF	42712-KCS-920	F-9-CAST
35150-AAF-041	F-3-SELF	42712-KCS-920	F-9-SPOKE
35200-KVH-870	F-3-SELF	42712-KCS-920	F-11-CAST
35330-413-003	F-3-SELF	42712-KCS-920	F-11-SPOKE
35340-KST-950	F-3-SELF	42713-198-900	F-9-SPOKE
35350-KWA-940	F-18-SELF	42713-198-900	F-11-SPOKE
35357-KST-940	F-18-SELF	42753-KWF-901	F-9-CAST
35701-KWA-931	F-24-SELF	42753-KWF-901	F-11-CAST
35750-001-000	E-12	43100-153-600H	F-10
35753-035-010	E-12	43125-KST-940	F-10
35755-001-000	E-12	43141-KST-920	F-10
37100-AAF-041	F-2	43145-GC5-000	F-10
37100-AAF-0410-20	F-2	43151-110-000	F-10
37200-AAF-041	F-2	43410-KST-940	F-10
37211-AAF-041	F-2	43431-KST-940	F-19
37212-AAF-H01	F-2	43434-286-000	F-10
37215-MB6-830	F-2	43451-KCC-600	F-18-SELF
37223-AAF-041	F-2	44301-KTR-700	F-9-CAST

PART NO	BLOCK	PART NO	BLOCK
44301-KTR-700	F-9-SPOKE	50617-445-840	F-17
44311-KRC-900	F-9-CAST	50619-KRY-970	F-17
44311-KRC-900	F-9-SPOKE	50639-KRY-970	F-17
44601-AAF-030	F-9-CAST	50642-KRY-970	F-17
44601-KTR-940Z	F-9-SPOKE	50644-445-840	F-17
44620-400-000	F-9-CAST	50661-KVE-860	F-17
44620-198-900	F-9-SPOKE	50701-AAF-040	F-17
44622-AAF-001	F-9-CAST	50702-AAF-040	F-17
44701-AAC-H00	F-9-SPOKE	50718-AAF-040	F-17
44701-AAC-H50	F-11-SPOKE	50720-KRY-970	F-17
44711-KFN-850R	F-9-SPOKE	50720-AAF-H00	F-25-SELF
44805-KTC-900	F-8-CAST	50730-KRY-970	F-17
44805-KTC-900	F-8-SPOKE	50803-KVH-760	F-28
44806-KST-900	F-8-CAST	51103-KVH-760	F-29A
44806-KST-900	F-8-SPOKE	51104-KVH-760	F-29
44809-170-000	F-8-CAST	51106-KCC-900	F-29A
44809-170-000	F-8-SPOKE	51400-KTR-A01	F-7
44810-KTC-900	F-8-CAST	51401-KST-941	F-7
44810-KTC-900	F-8-SPOKE	51403-KCC-900	F-7
44830-KVH-900	F-2	51403-447-730	F-7
44831-KVH-900	F-2	51410-KWA-941	F-7
45010-AAC-030	F-8-CAST	51412-KAG-900	F-7
45010-AAD-000	F-8-SPOKE	51412-KWA-941	F-7
45125-AAH-F0099	F-8-CAST	51420-KTR-A01	F-7
45125-AAH-F0099	F-8-CAST	51425-KST-901	F-7
45125-AAH-F0099	F-8-SPOKE	51432-KST-901	F-7
45125-AAH-F0099	F-8-SPOKE	51437-KVN-901	F-7
45133-KCC-900	F-8-CAST	51440-KTR-901	F-7
45133-KCC-900	F-8-SPOKE	51500-KTR-A01	F-7
45134-250-000	F-8-CAST	51520-KTR-A01	F-7
45134-250-000	F-8-SPOKE	52101-KST-940	F-19
45134-250-000	F-10	52110-KST-940	F-19
45141-KTC-900	F-8-CAST	52147-KTC-900	F-19
45141-KTC-900	F-8-SPOKE	52170-KST-940	F-19
45145-096-650	F-8-CAST	52400-AAF-000	F-20
45145-096-650	F-8-SPOKE	52410-KVH-761	F-20
45410-KTR-A20	F-8-CAST	52486-KAG-900	F-20
45410-KTR-A20	F-8-SPOKE	52486-056-000	F-20
45435-GB2-720	F-8-CAST	52489-399-600	F-20
45435-GB2-720	F-8-SPOKE	52495-098-000	F-20
45450-AAJ-100	F-3-SELF	53100-AAF-040	F-4
45451-KCC-900	F-6	53105-KRC-900	F-3-SELF
46500-KST-940	F-18-SELF	53131-KTR-A20	F-4
46514-KCC-900	F-18-SELF	53132-124-000	F-4
46515-KB9-000	F-18-SELF	53132-KZN-900	F-4
50100-AAF-100	F-25-SELF	53133-198-900	F-4
50160-AAF-040	F-17	53134-028-000	F-4
50211-KCC-900	F-25-SELF	53135-198-900	F-4
50301-KTR-900	F-5	53136-198-900	F-4
50400-AAF-040R	F-12	53140-AAF-000	F-3-SELF
50400-AAF-040S	F-12	53166-AAF-000	F-3-SELF
50400-AAF-040T	F-12	53171-KCC-900	F-3-SELF
50400-AAF-040U	F-12	53172-KTC-920	F-3-SELF
50400-AAF-100W	F-12	53173-KTR-A20	F-3-SELF
50450-AAF-040R	F-12	53175-AAF-H00	F-3-SELF
50450-AAF-040S	F-12	53178-AAF-H00	F-3-SELF
50450-AAF-040T	F-12	53179-KTC-900	F-3-SELF
50450-AAF-040U	F-12	53200-AAD-000	F-5
50450-AAF-100W	F-12	53209-GAH-000	F-1
50500-AAH-H40	F-18-SELF	53211-268-010	F-5
50505-KCC-900	F-16	53212-200-000	F-5
50512-KTC-900	F-18-SELF	53214-200-000	F-5
50530-KST-940	F-17	53215-KTR-900	F-5
50612-KRY-970	F-17	53221-KTR-900	F-5

PART NO	BLOCK	PART NO	BLOCK
53222-KTR-900	F-5	83300-AAF-100S	F-14
53230-KST-950	F-4	83300-AAF-100T	F-14
61100-AAF-000R	F-6	83300-AAF-100U	F-14
61100-AAF-000S	F-6	83300-AAF-100V	F-14
61100-AAF-000T	F-6	83300-AAF-100W	F-14
61100-AAF-000U	F-6	83400-AAF-100R	F-14
61100-AAF-100W	F-6	83400-AAF-100S	F-14
61103-KST-940	F-6	83400-AAF-100T	F-14
61104-KST-940	F-6	83400-AAF-100U	F-14
61105-KTC-900	F-1	83400-AAF-100V	F-14
61108-AAC-H40ZA	F-27	83400-AAF-100W	F-14
61300-AAF-100R	F-1	83407-KTR-940	F-15
61300-AAF-100S	F-1	83510-KVH-760H	F-25-SELF
61300-AAF-100T	F-1	83511-KVH-780ZAH	F-25-SELF
61300-AAF-100U	F-1	83512-KVH-900	F-14
61300-AAF-100V	F-1	83518-KVH-900	F-25-SELF
61300-AAF-100W	F-1	83519-KVH-780ZAH	F-25-SELF
61311-KVH-900	F-1	83550-KVH-900	F-14
61312-149-300	F-1	83550-KVH-900	F-25-SELF
61312-KVH-900	F-1	83551-KVH-900	F-12
61315-KVH-900	F-1	83551-300-000	F-13
63403-AAF-000	F-1	84701-P26-D00A	F-1A
63404-KVH-900	F-1	84701-KCC-860	F-21
63414-KVH-900	F-1	86115-AAF-000R	F-27
63421-KVH-950ZA	F-1	86115-AAF-000S	F-27
64100-AAF-000	F-1	86115-AAF-000T	F-27
64310-198-D20A	F-1A	86115-AAF-000U	F-27
75581-673-000	F-14	86115-AAF-100V	F-27
75581-673-000	F-25-SELF	86115-AAF-100W	F-27
77200-AAF-000	F-12	86116-AAF-000R	F-27
77201-KVH-900	F-1	86116-AAF-000S	F-27
77201-KVH-900	F-12	86116-AAF-000T	F-27
77202-KCC-900	F-12	86116-AAF-000U	F-27
77204-KCC-900	F-12	86116-AAF-100V	F-27
77205-AAF-100R	F-12	86116-AAF-100W	F-27
77205-AAF-100S	F-12	86125-AAF-000R	F-27
77205-AAF-100T	F-12	86125-AAF-000S	F-27
77205-AAF-100U	F-12	86125-AAF-000T	F-27
77205-AAF-100V	F-12	86125-AAF-000U	F-27
77205-AAF-100W	F-12	86125-AAF-100V	F-27
77206-KCC-900	F-12	86125-AAF-100W	F-27
77206-KTR-900	F-12	86126-AAF-000R	F-27
77215-AAF-100R	F-12	86126-AAF-000S	F-27
77215-AAF-100S	F-12	86126-AAF-000T	F-27
77215-AAF-100T	F-12	86126-AAF-000U	F-27
77215-AAF-100U	F-12	86126-AAF-100V	F-27
77215-AAF-100V	F-12	86126-AAF-100W	F-27
77215-AAF-100W	F-12	86216-AAF-100R	F-27
77230-AAF-100R	F-12	86216-AAF-100S	F-27
77230-AAF-100S	F-12	86216-AAF-100T	F-27
77230-AAF-100T	F-12	86216-AAF-100U	F-27
77230-AAF-100U	F-12	86216-AAF-100V	F-27
77230-AAF-100V	F-12	86216-AAF-100W	F-27
77230-AAF-100W	F-12	86226-AAF-100R	F-27
77236-KVH-900	F-12	86226-AAF-100S	F-27
77245-KVH-900	F-23	86226-AAF-100T	F-27
77247-KCC-770	F-1	86226-AAF-100U	F-27
77247-KVH-900	F-23	86226-AAF-100V	F-27
77248-KVH-900	F-23	86226-AAF-100W	F-27
80100-KVH-850	F-21	86406-AAF-000R	F-27
80101-443-000	F-1	86406-AAF-000S	F-27
80102-KVH-900	F-21	86406-AAF-000T	F-27
80151-KVH-900	F-21	86406-AAF-000U	F-27
83300-AAF-100R	F-14	86406-AAF-100V	F-27

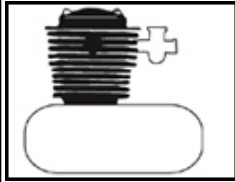
PART NO	BLOCK	PART NO	BLOCK
86406-AAF-100W	F-27	90084-KWA-930	E-7A-SELF
86407-AAF-000R	F-27	90085-KWA-940	E-7B-SELF
86407-AAF-000S	F-27	90087-KWA-930	E-7-SELF
86407-AAF-000T	F-27	90087-KWA-930	E-7A-SELF
86407-AAF-000U	F-27	90101-KWA-830	F-15
86407-AAF-100V	F-27	90102-KVN-900	F-4
86407-AAF-100W	F-27	90103-KVH-900	F-1
86511-KVH-780	F-27	90107-GZ4-670	F-2
86515-AAF-100R	F-27	90107-KAN-900	F-16
86515-AAF-100S	F-27	90107-AAD-000	F-17
86515-AAF-100T	F-27	90109-SB6-000	F-1
86515-AAF-100U	F-27	90109-MZ5-008	F-2
86515-AAF-100V	F-27	90111-KW3-000	F-1
86515-AAF-100W	F-27	90111-187-000	F-15
86516-AAF-100R	F-27	90111-187-000	F-21
86516-AAF-100S	F-27	90111-187-000	F-25-SELF
86516-AAF-100T	F-27	90111-187-000	F-25A
86516-AAF-100U	F-27	90113-KVH-900	F-14
86516-AAF-100V	F-27	90114-310-000	F-3-SELF
86516-AAF-100W	F-27	90115-MV9-000	F-17
86521-AAF-100R	F-27	90116-KAG-900	F-7
86521-AAF-100S	F-27	90116-KCC-900	F-25-SELF
86521-AAF-100T	F-27	90117-KCC-900	F-25-SELF
86521-AAF-100U	F-27	90118-383-000	F-19
86521-AAF-100V	F-27	90121-AAD-500	F-25-SELF
86521-AAF-100W	F-27	90122-KVT-941	F-24-SELF
86522-AAF-100R	F-27	90123-KRM-860	F-7
86522-AAF-100S	F-27	90123-KST-941	F-7
86522-AAF-100T	F-27	90133-331-770	F-19
86522-AAF-100U	F-27	90183-KTC-900	F-19
86522-AAF-100V	F-27	90201-GF6-000R	E-1
86522-AAF-100W	F-27	90201-GF6-000R	E-1A
86853-AAF-000R	F-27	90201-MW3-620	F-3-SELF
86853-AAF-000S	F-27	90202-329-000	F-20
86853-AAF-000T	F-27	90206-001-000	E-3
86853-AAF-000U	F-27	90231-087-010	E-6
86853-AAF-100V	F-27	90231-198-000	E-6
86853-AAF-100W	F-27	90302-KBP-900	F-10
87501-AAF-100	F-30	90302-KTE-911	F-10
87501-AAF-000	F-30	90302-KBP-900	F-11-CAST
87507-MZ8-W00	F-30	90302-KBP-900	F-11-SPOKE
88110-AAF-0000	F-3-SELF	90304-KST-942	F-4
88114-198-D10	F-3-SELF	90304-KSP-900	F-4
88120-AAF-0000	F-3-SELF	90304-438-000	F-16
89102-538-000	F-26	90306-KTE-911	F-9-CAST
89103-538-000	F-26	90306-KST-942	F-9-CAST
89215-AAC-000	F-26	90306-KTE-911	F-9-SPOKE
89216-AAD-H00	F-26	90306-KST-942	F-9-SPOKE
90003-MY5-720	F-3-SELF	90306-KTE-911	F-10
90012-333-000R	E-3	90306-KST-942	F-10
90022-GFP-900	E-12	90306-KST-942	F-17
90031-AAH-000	E-8-SELF	90306-KVT-941	F-24-SELF
90032-AAH-000	E-8-SELF	90307-GJ6-000	F-1
90033-041-020	E-2	90307-001-000	F-11-CAST
90033-041-020	E-2A	90307-001-000	F-11-SPOKE
90038-MT3-000	F-12	90309-357-000	F-11-CAST
90050-KFL-850	E-6	90309-357-000	F-11-SPOKE
90071-171-010	E-12	90311-KVH-900	F-1
90081-035-000	E-4	90311-MT3-000	F-15
90081-GFP-900	F-25A	90320-GC3-000	F-12
90083-KVH-900	E-4	90320-GC3-000	F-21
90083-KVH-900	E-7-SELF	90324-KCC-870	F-13
90083-KVH-900	E-7A-SELF	90325-KCC-900	F-13
90084-KWA-930	E-7-SELF	90380-MB2-000	F-22

PART NO	BLOCK	PART NO	BLOCK
90401-KWA-941	E-7C-SELF	91255-KWA-941	F-7
90407-259-000	E-8-SELF	91301-035-000	E-1
90410-HC4-000	E-7-SELF	91301-035-000	E-1A
90410-HC4-000	E-7A-SELF	91301-035-000	E-7-SELF
90432-086-000	E-6	91301-035-000	E-7B-SELF
90441-035-000	E-4	91302-KEV-900	E-1
90442-GF6-000	E-1	91302-KEV-900	E-1A
90442-GF6-000	E-1A	91303-GF6-000	E-2
90443-GF6-010	E-1	91303-GF6-000	E-2A
90443-GF6-010	E-1A	91303-719-000	E-5
90451-GF6-000	E-10	91303-377-000	E-7-SELF
90451-198-000	E-10	91303-377-000	E-7A-SELF
90452-GB4-770	E-10	91304-GB1-900	E-1
90452-115-000	E-11	91304-GB1-900	E-1A
90454-107-000	E-11	91305-028-150	E-2
90461-357-000	E-1	91305-028-150	E-2A
90461-357-000	E-1A	91305-MC7-000	F-13
90461-357-000	E-4	91305-443-740	F-13
90461-GF6-000	E-6	91307-035-000	E-5
90461-GB4-770	E-10	91308-GB4-701L	E-7C-SELF
90461-035-000	E-10	91309-GB2-701L	E-7C-SELF
90461-459-000	E-10	91312-107-000	E-12
90481-035-000	E-4	91317-171-000	E-7-SELF
90501-MC4-000	F-21	91317-171-000	E-7B-SELF
90501-KC2-750	F-25A	91352-GAZ-930	F-2
90502-198-900	F-18-SELF	91356-KGH-901	E-7-SELF
90503-KTR-900	F-4	91356-KGH-901	E-7A-SELF
90504-964-000	F-1	91356-KAG-900	F-7
90505-425-000	F-10	91455-MG8-000	F-4
90521-292-000	F-7	91509-GE2-760	F-1
90544-439-930	F-7	91509-GE2-760	F-12
90551-KTE-910	F-20	91509-GE2-760	F-14
90601-001-000	E-10	91540-S30-003	F-24-SELF
90601-459-000	E-10	92000-06008-0H	E-10
90601-459-000	E-11	92000-06016-0A	F-1
90601-GF5-730	F-7	92000-06012-0A	F-1A
90701-GF6-000	E-2	92101-06025-0G	F-3-SELF
90701-GF6-000	E-2A	92101-06032-0A	F-17
90702-GB6-910	E-4	92501-08010-0A	F-17
90702-GB6-910	E-5	92800-12000-00	E-8-SELF
90702-GB6-910	E-7-SELF	92811-10000	F-10
90702-GB6-910	E-7A-SELF	93500-05010-0H	E-8-SELF
90703-HC4-000	E-8-SELF	93500-05010-1A	F-1A
90741-KFB-000	E-9	93500-05020-0G	F-3-SELF
90753-029-000	F-11-CAST	93500-05022-1G	F-3-SELF
90753-029-000	F-11-SPOKE	93500-04025-0G	F-13
90801-035-000	E-12	93500-05016-1H	F-15
91001-GF6-000	E-9	93500-05020-0G	F-25-SELF
91001-GF6-H00	E-9	93600-06016-0A	E-6
91101-AAF-000	E-9	93600-05012-1H	E-6
91101-179-710	E-11	93600-06016-0A	E-7-SELF
91102-AAF-000	E-9	93600-06016-0A	E-7B-SELF
91103-AAF-000	E-9	93891-05014-18	F-18-SELF
91201-GBG-900	E-7B-SELF	93892-04006-08L	E-7C-SELF
91202-302-010	E-5	93892-05030-08L	E-7C-SELF
91202-302-010	E-7-SELF	93892-04006-08L	E-7C-SELF
91203-GB5-760	E-10	93892-04010-10	E-13
91204-GBG-850	E-7B-SELF	93892-04014-08L	E-13
91205-350-000	E-6	93901-22310	F-1
91208-KB4-670	E-12	93901-22220	F-3-SELF
91251-GK4-000	F-8-CAST	93901-22310	F-22
91251-GK4-000	F-8-SPOKE	93901-24480	F-23
91251-KPH-901	F-9-CAST	93903-34380	F-1
91251-KPH-901	F-9-SPOKE	93903-22420	F-2

PART NO	BLOCK	PART NO	BLOCK
93903-35280	F-12	95014-71702	F-18-SELF
93903-34220	F-15	95014-73100	F-18-SELF
93903-34220	F-21	95015-32001	F-8-CAST
93903-34480	F-22	95015-42000	F-8-CAST
94001-06070-0S	F-2	95015-32001	F-8-SPOKE
94001-06000-0S	F-10	95015-42000	F-8-SPOKE
94001-08000-0S	F-10	95015-81000	F-17
94001-06000-0S	F-11-CAST	95015-32001	F-18-SELF
94001-06000-0S	F-11-SPOKE	95015-42000	F-18-SELF
94001-08000-0S	F-19	95015-53000	F-18-SELF
94002-06000-0S	F-21	95018-46320	F-15
94002-06000-0S	F-25-SELF	95701-06110-00	E-1
94002-08000-0S	F-25-SELF	95701-06110-00	E-1A
94021-06000-0S	F-25A	95701-06020-00	E-11
94030-10000	F-17	95701-06025-00	F-1
94030-08000	F-25-SELF	95701-08040-00	F-5
94050-10000	E-7-SELF	95701-06020-08	F-6
94050-10000	E-7A-SELF	95701-06032-00	F-8-CAST
94050-06000	F-3-SELF	95701-06032-00	F-8-SPOKE
94050-06000	F-6	95701-06035-00	F-10
94050-06000	F-8-CAST	95701-08022-08	F-12
94050-06000	F-8-SPOKE	95701-06022-08	F-12
94050-06000	F-13	95701-08035-08	F-13
94050-08000	F-16	95701-06016-08	F-15
94050-08000	F-17	95701-08016-00	F-16
94050-10000	F-20	95701-06020-00	F-17
94050-06000	F-21	95701-08016-07	F-17
94050-10000	F-22	95701-10045-07	F-17
94050-06000	F-23	95701-06016-08	F-21
94101-05000	F-1A	95701-06020-08	F-21
94101-06000	F-1A	95701-06025-18	F-23
94101-06000	F-10	95701-06014-18	F-24-SELF
94101-06000	F-11-CAST	95701-06020-07	F-25-SELF
94101-06000	F-11-SPOKE	95701-08016-00	F-25-SELF
94101-05000	F-15	95701-06012-00	F-25-SELF
94101-06000	F-17	95701-08016-00	F-28
94101-08000	F-17	95701-08030-00	F-29
94101-08000	F-19	95701-08035-00	F-29
94101-12800	F-20	95701-06016-08	F-29A
94102-08000	F-17	95701-08030-00	F-29A
94103-06000	F-1	96001-06020-00	E-1
94103-06700	F-2	96001-06022-00	E-1
94111-10000	F-19	96001-06025-00	E-1
94111-08000	F-25-SELF	96001-06020-00	E-1A
94201-20150	F-10	96001-06022-00	E-1A
94201-16121	F-17	96001-06025-00	E-1A
94201-20150	F-18-SELF	96001-06018-00	E-4
94201-30250	F-18-SELF	96001-06040-00	E-5
94201-20150	F-19	96001-06065-00	E-5
94510-12000L	E-7C-SELF	96001-06080-00	E-5
94510-16000	E-11	96001-06020-00	E-6
94591-45000	F-2	96001-06016-00	E-7-SELF
94591-27000	F-21	96001-06020-00	E-7-SELF
95002-02100	E-8-SELF	96001-06028-00	E-7-SELF
95002-02089	E-13	96001-06032-00	E-7-SELF
95002-02659	E-13	96001-06060-00	E-7-SELF
95002-02100	F-13	96001-06070-00	E-7-SELF
95002-70000	F-13	96001-06016-00	E-7A-SELF
95002-02130	F-15	96001-06020-00	E-7A-SELF
95002-80000	F-25A	96001-06028-00	E-7A-SELF
95005-35260-50	E-13	96001-06032-00	E-7A-SELF
95005-35170-20	F-25A	96001-06060-00	E-7A-SELF
95011-51000	F-17	96001-06070-00	E-7A-SELF
95014-72302	F-17	96001-06010-00	E-7B-SELF

PART NO	BLOCK
96001-06045-00	E-7C-SELF
96001-06050-00	E-8-SELF
96001-06060-00	E-8-SELF
96001-06065-00	E-8-SELF
96001-06012-00	E-12
96001-06016-07	F-1
96001-06020-00	F-24-SELF
96100-60010-00	E-6
96100-60010-H0	E-6
96100-60010-00	E-10
96100-62010-00	E-10
96100-62030-00	E-10
96120-60010-10L	E-7C-SELF
96140-63010-10	F-9-CAST
96140-63010-10	F-9-SPOKE
96140-63010-10	F-11-CAST
96140-63010-10	F-11-SPOKE
96150-62030-10	F-11-CAST
96150-62030-10	F-11-SPOKE
96211-08000	F-5
96211-08000	F-17
96220-30085	E-12
96700-08020-00	F-2
97252-51162-10	F-9-SPOKE
97338-51179-10	F-11-SPOKE
97603-51162-10	F-9-SPOKE
97604-51178-10	F-11-SPOKE
98200-31500	F-24-SELF
98200-31000	F-24-SELF
99007-45000	F-26
99101-KWA-1050	E-13
99103-KTC-0350	E-13

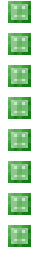
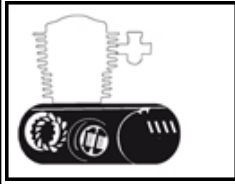
BLOCK INDEX - GROUP Engine - Splendor iSmart (May, 2014).



E-1
E-1A
E-2
E-2A
E-3

CYLINDER HEAD COVER/INLET PIPE
CYLINDER HEAD COVER/INLET PIPE
CYLINDER HEAD
CYLINDER/CYLINDER HEAD
CAM SHAFT/VALVE

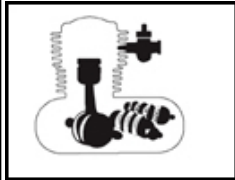
78
2
3
4
5



E-4
E-5
E-6
E-7-SELF
E-7A-SELF
E-7B-SELF
E-7C-SELF
E-8-SELF

CAM CHAIN TENSIONER
RIGHT CRANK CASE COVER
CLUTCH
LEFT CRANK CASE COVER / A.C. GEN.ASSY.
LEFT CRANKCASE COVER / A.C. GEN. ASSY. (SELF START)
STARTING CLUTCH
STARTER MOTOR
CRANK CASE / OIL PUMP

6
7
8
10
12
13
14
15

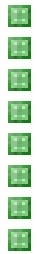


E-9
E-10
E-11
E-12
E-13

CRANK SHAFT / PISTON
TRANSMISSION
KICK STARTER
GEARSHIFT
CARBURETTOR

16
20
22
23
24

BLOCK INDEX - GROUP Frame - Splendor iSmart (May, 2014).



F-1	HEAD LIGHT	26
F-1A	NUMBER PLATE OPTIONAL	28
F-2	SPEEDOMETER / CABLE / KEY SET	29
F-3-SELF	HANDEL LEVER / SWITCH / CONTROL CABLE	31
F-4	HANDLE PIPE/TOP BRIDGE	33
F-5	STEERING STEM	34
F-6	FRONT FENDER	35
F-7	FRONT FORK	36



F-8-CAST	FR. BRAKE PANEL	37
F-8-SPOKE	FR. BRAKE PANEL	38
F-9-CAST	FRONT WHEEL	39
F-9-SPOKE	FRONT WHEEL	40
F-10	REAR BRAKE PANEL	41
F-11-CAST	REAR WHEEL	42
F-11-SPOKE	REAR WHEEL	43



F-12	SEAT ASSY./REAR COWL/GRIP REAR	45
F-13	FUEL TANK	47
F-14	SIDE COVER	49
F-15	AIR CLEANER	50



F-16	MUFFLER	51
F-17	STEP ASSY./KICK STARTER/GEAR CHANGE PEDAL/SIDE STAND/PILLION STEP.	52
F-18-SELF	MAIN STAND/PEDAL BRAKE	54
F-19	REAR FORK / CHAIN CASE	55
F-20	REAR CUSHION	56
F-21	REAR FENDER	57



F-22	WINKERS	58
F-23	TAIL LIGHT	59
F-24-SELF	WIRE HARNESS / BATTERY	60



F-25-SELF	FRAME BODY / UTILITY BOX	61
-----------	--------------------------	----