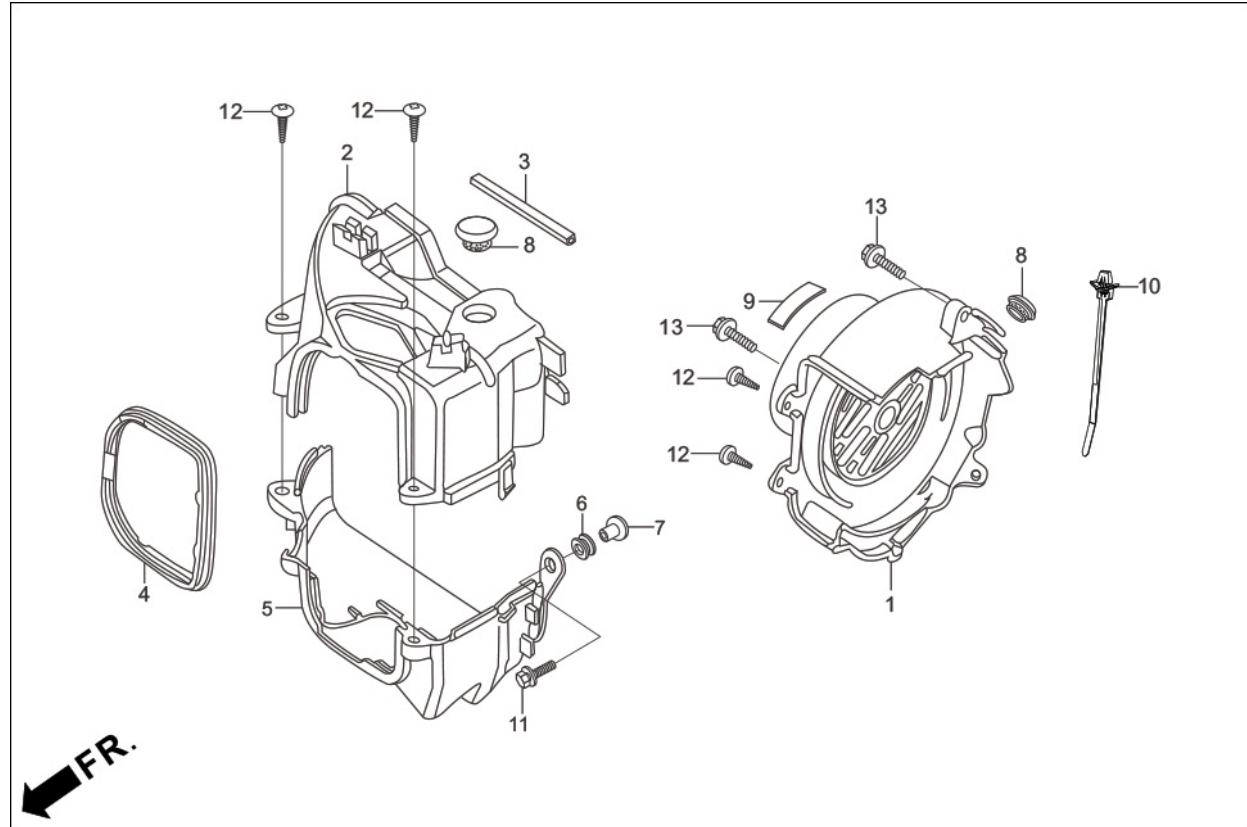


PARTS CATALOGUE

Pleasure (May, 2016)

E-1 : SHROUD / FAN COVER

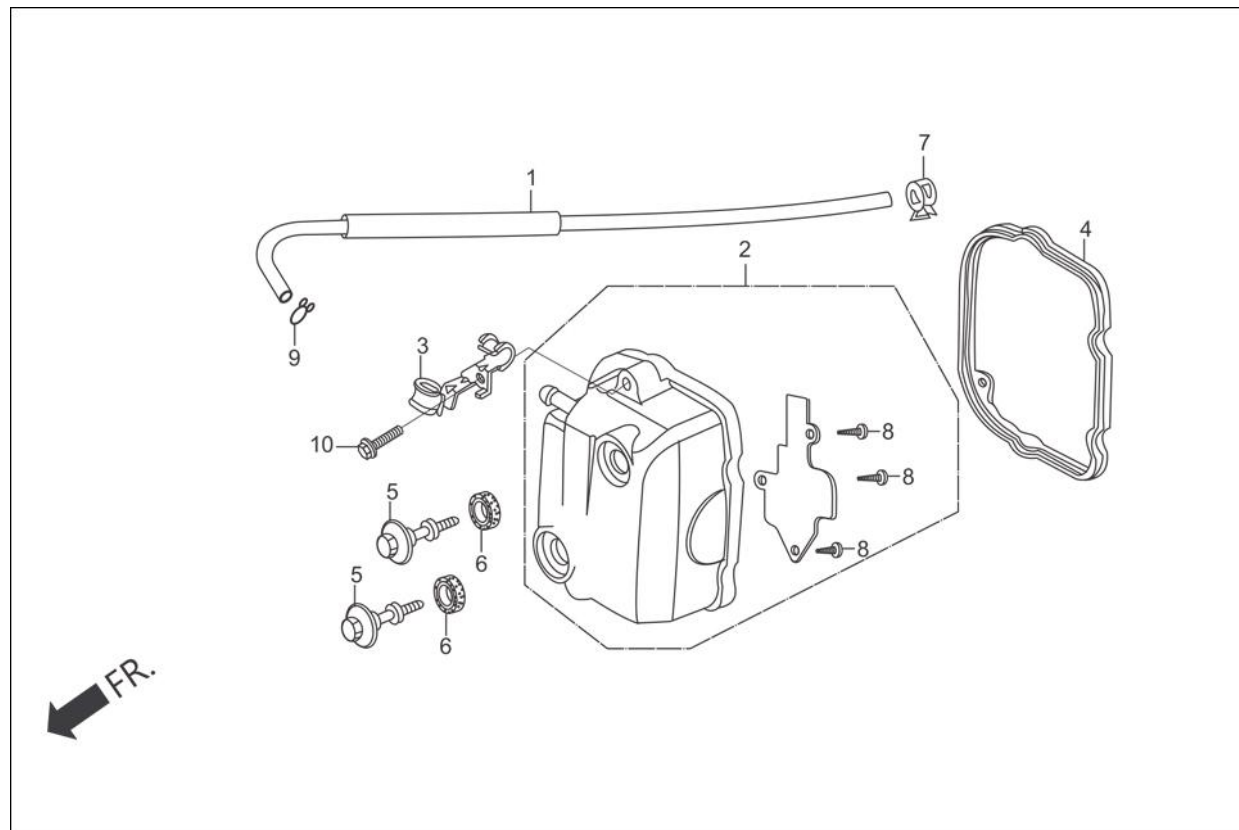


E-1 : SHROUD / FAN COVER

Group Number: E-1 **Model ::** Pleasure (May, 2016)

Ref No.	Part Number	Description	Req.
1	19610-KPL-840	FAN COVER, COMP.,	1
2	19621-KTP-900H	SHROUD,INLET	1
3	19623-KPL-900	SEAL RUBBER, IN SHROUD	1
	19623-KPL-900	SEAL RUBBER, IN SHROUD	1
4	19625-KPL-840	SEAL, SHROUD	1
5	19631-KTP-900	SHROUD, EXHAUST	1
6	19639-GBC-000	RUBBER , MOUNT	1
	19639-GBC-000	RUBBER , MOUNT	1
7	33715-GB0-900	COLLER, T/L SET	1
8	82871-KTP-900	GROMMET., DRAIN HOLE	2
9	87541-AAW-300	LABEL OIL RECOMMENDATION	1
10	90672-KPL-901	BODY, CLIP	1
11	93404-06020-00	BOLT, WASH, 6 X 20	1
12	93903-25380	SCREW TAPPING 5X16	4
13	96001-06025-07	BOLT, FLANGE, SH. 6 X 25	2
	96001-06025-07	BOLT, FLANGE, SH. 6 X 25	2

E-2 : CYLINDER HEAD COVER

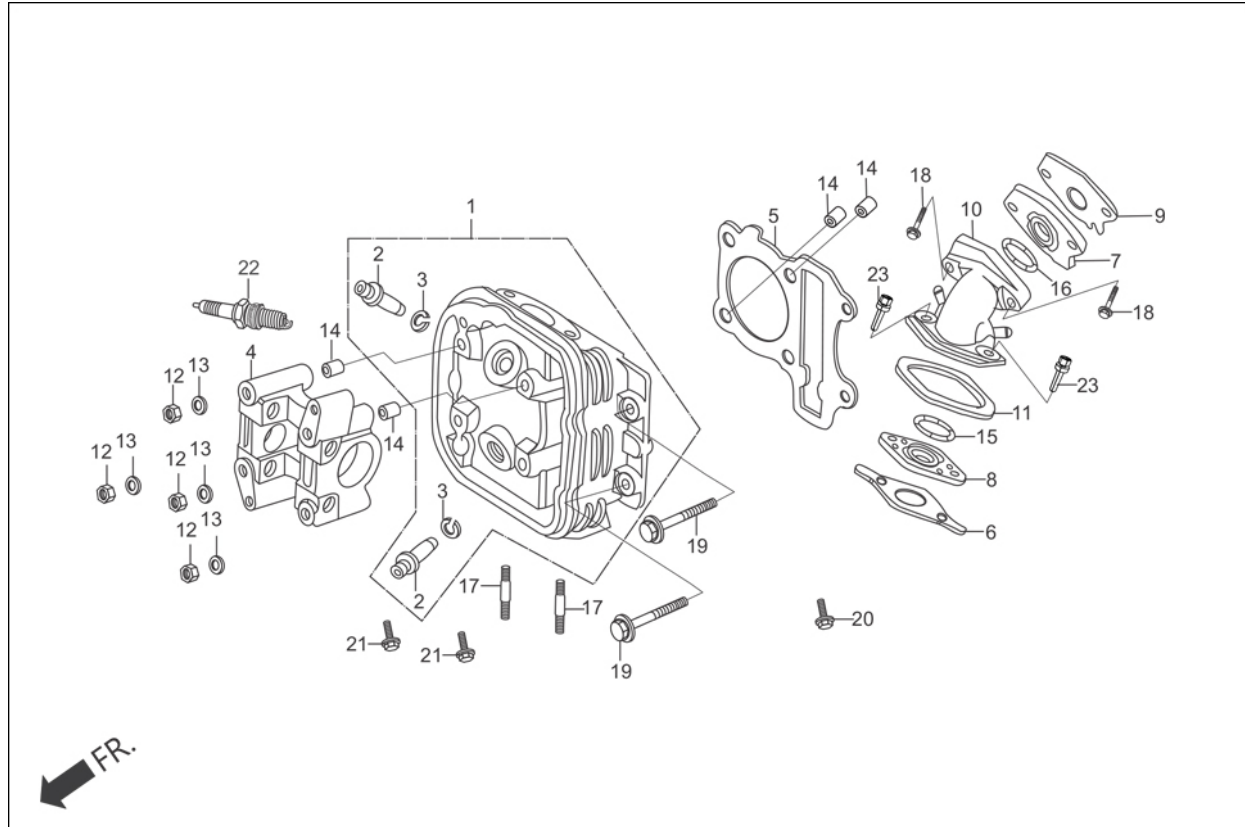


E-2 : CYLINDER HEAD COVER

Group Number: E-2 **Model ::** Pleasure (May, 2016)

Ref No.	Part Number	Description	Req.
1	11211-KTP-900	TUBE BREATHER	1
2	12310-KPL-840	COVER, COMP., HEAD	1
3	12315-KTP-900	CLAMPER THROTTLE CABLE	1
4	12391-KTP-900A	GASKET HEAD COVER	1
5	90017-KPL-900	BOLT, HEAD COVER	2
	90017-KPL-900	BOLT, HEAD COVER	2
6	90543-MV9-670	RUBBER, MOUNT	2
	90543-MV9-670	RUBBER, MOUNT	2
7	90602-KPL-900	CLAMP, D12 TUBE	1
8	93903-34120	SCREW TAPPING 4 X 8	3
9	95002-02120	CLIP, TUBE(B12)	1
10	96001-06012-00	BOLT,FLANGE,SH.,6 X 12	1
	96001-06012-00	BOLT,FLANGE,SH.,6 X 12	1

E-3 : CYLINDER HEAD



E-3 : CYLINDER HEAD

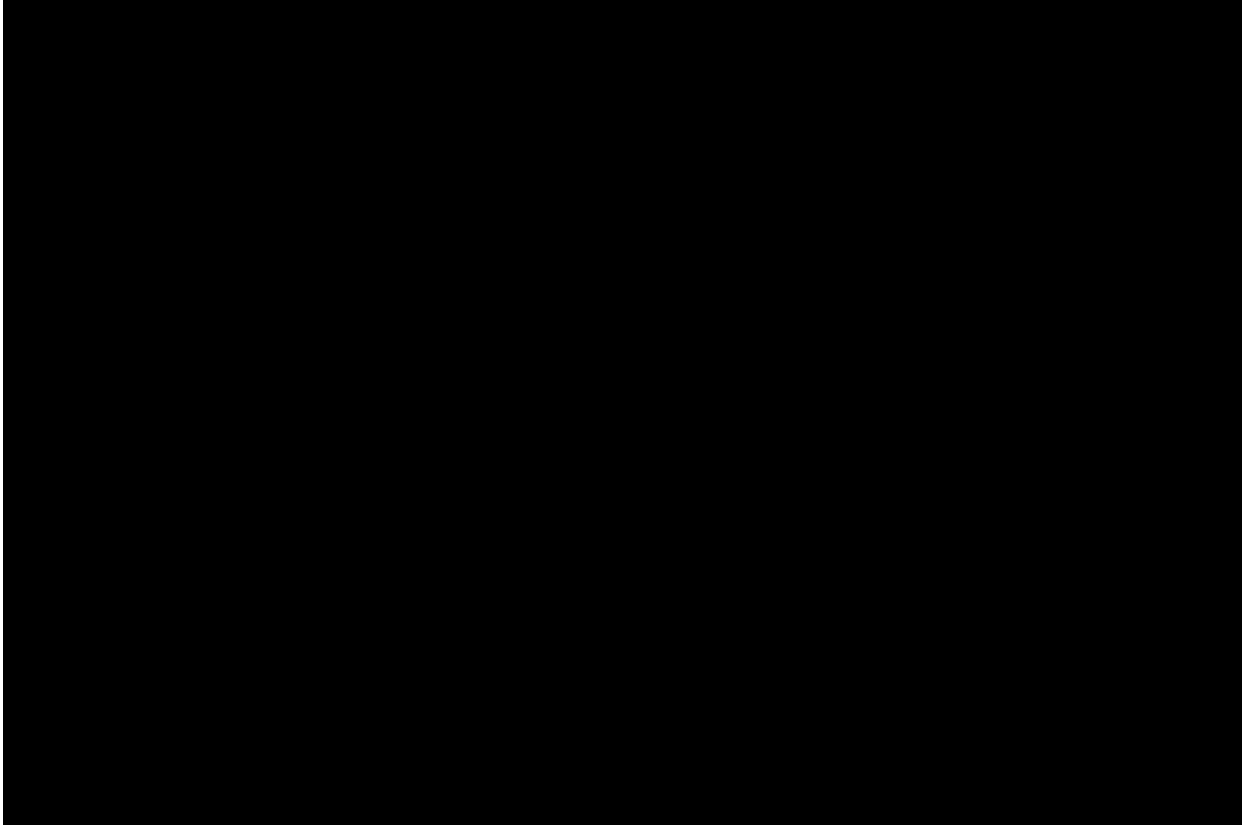
Group Number: E-3 **Model ::** Pleasure (May, 2016)

Ref No.	Part Number	Description	Req.
1	12200-AAL-300	HEAD COMP., CYLINDER	1
2	12204-KPL-P00	GUIDE VALVE	2
3	12206-KPL-900	CLIP VALVE GUIDE	2
	12206-KPL-900	CLIP VALVE GUIDE	2
4	12211-KTP-901	HOLDER CAM SHAFT	1
5	12251-KPL-840	GASKET CYLINDER HEAD	1
6	16201-AAL-00099	GASKET CARB INSULATOR B	1
7	16211-KPL-900	INSULATOR CARBURETOR A	1
8	16212-KTP-900	INSULATOR CARB. B	1
9	16229-AAL-00099	GASKET CARB INSULATOR A	1
10	17110-AAL-300	PIPE COMP INLET	1
11	17113-KPL-900	SEAL, RUBBER INLET PIPE	1
12	90201-GCC-000	NUT HEX., 7MM	4
13	90401-GCC-000	WASHER 7.2X16X2.5	4
14	90701-GF6-000	PIN, DOWEL, 8 X 14	4
	90701-GF6-000	PIN, DOWEL, 8 X 14	4
15	91304-GB0-910	O-RING 20.6X1.9	1
16	91304-GB1-900	O-RING, 25 X 2.4	1
	91304-GB1-900	O-RING, 25 X 2.4	1
17	92900-06016-0B	BOLT, STUD, 6X16	2

E-3 : CYLINDER HEAD

	92900-06016-0B	BOLT, STUD, 6X16	2
18	95701-06025-00	BOLT, FLANGE, 6X 25	2
19	95701-06090-00	BOLT FLANGE 6X90	2
20	96001-06012-00	BOLT,FLANGE,SH.,6 X 12	1
	96001-06012-00	BOLT,FLANGE,SH.,6 X 12	1
21	96001-06030-00	BOLT, FLANGE, SH., 6 X 30	2
	96001-06030-00	BOLT, FLANGE, SH., 6 X 30	2
22	31917-AAC-H00	SPARK PLUG	1
23	90107-AAN-600	BOLT BREAK OFF	2

E-4 : CAMSHAFT /VALVE



E-4 : CAMSHAFT /VALVE

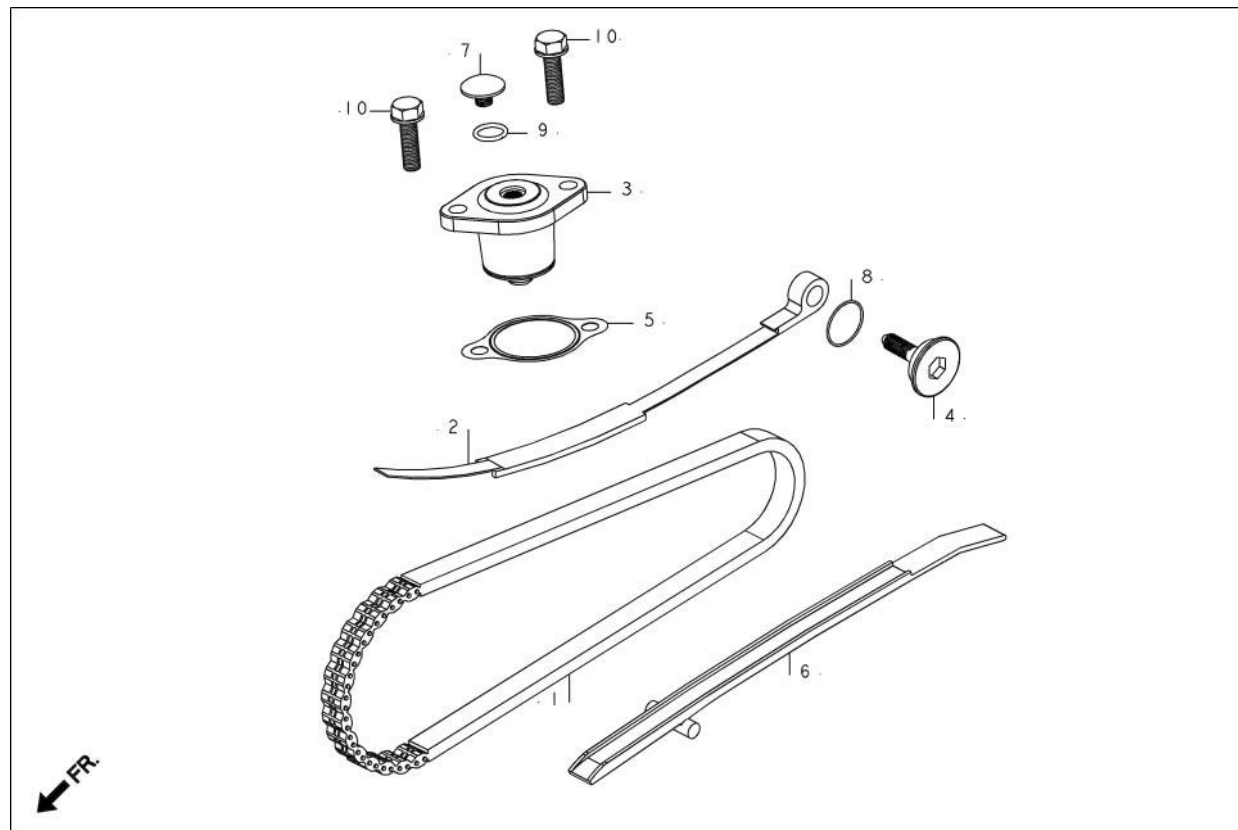
Group Number: E-4 **Model ::** Pleasure (May, 2016)

Ref No.	Part Number	Description	Req.
1	12209-GB4-685	SEAL, VALVE STEM	2
	12209-GB4-685	SEAL, VALVE STEM	2
2	14100-KTP-900	SHAFT COMP., CAM	1
3	14150-GCC-000	PLATE COMP., STOPPER	1
4	14321-AAL-000	SPROCKET CAM	1
	14321-AAL-000	SPROCKET CAM	1
5	14431-GCC-000	ARM, VALVE, ROCKER	2
6	14451-GCC-000	SHAFT IN, ROCKER ARM	1
7	14461-GCC-000	SHAFT EX., ROCKER ARM	1
	14461-GCC-000	SHAFT EX., ROCKER ARM	1
8	14711-GCC-000	VALVE, INLET	1
9	14721-GCC-000	VALVE, EXHAUST	1
10	14751-KTP-900	SPRING, VALVE	2
11	14771-GB4-680	RETAINER, VALVE SPRING	2
12	14777-KN7-670	SEAT, VALVE SPRING	2
	14777-KN7-670	SEAT, VALVE SPRING	2
13	14781-MA6-000	COTTER, VALVE	4
	14781-MA6-000	COTTER, VALVE	4
14	90012-333-000R	SCREW, TAPPET ADJUSTING	2
	90012-333-000R	SCREW, TAPPET ADJUSTING	2

E-4 : CAMSHAFT /VALVE

15	90083-KRM-840	BOLT, KNOCK, 5 MM	2
	90083-KRM-840	BOLT, KNOCK, 5 MM	2
16	90206-001-000	NUT, TAPPET ADJUSTING	2
	90206-001-000	NUT, TAPPET ADJUSTING	2
17	94520-32000	CIRCLIP, IN, 32	1
18	94303-03050	DOWEL PIN 3 X 5	3

E-5 : CAM CHAIN TENSIONER

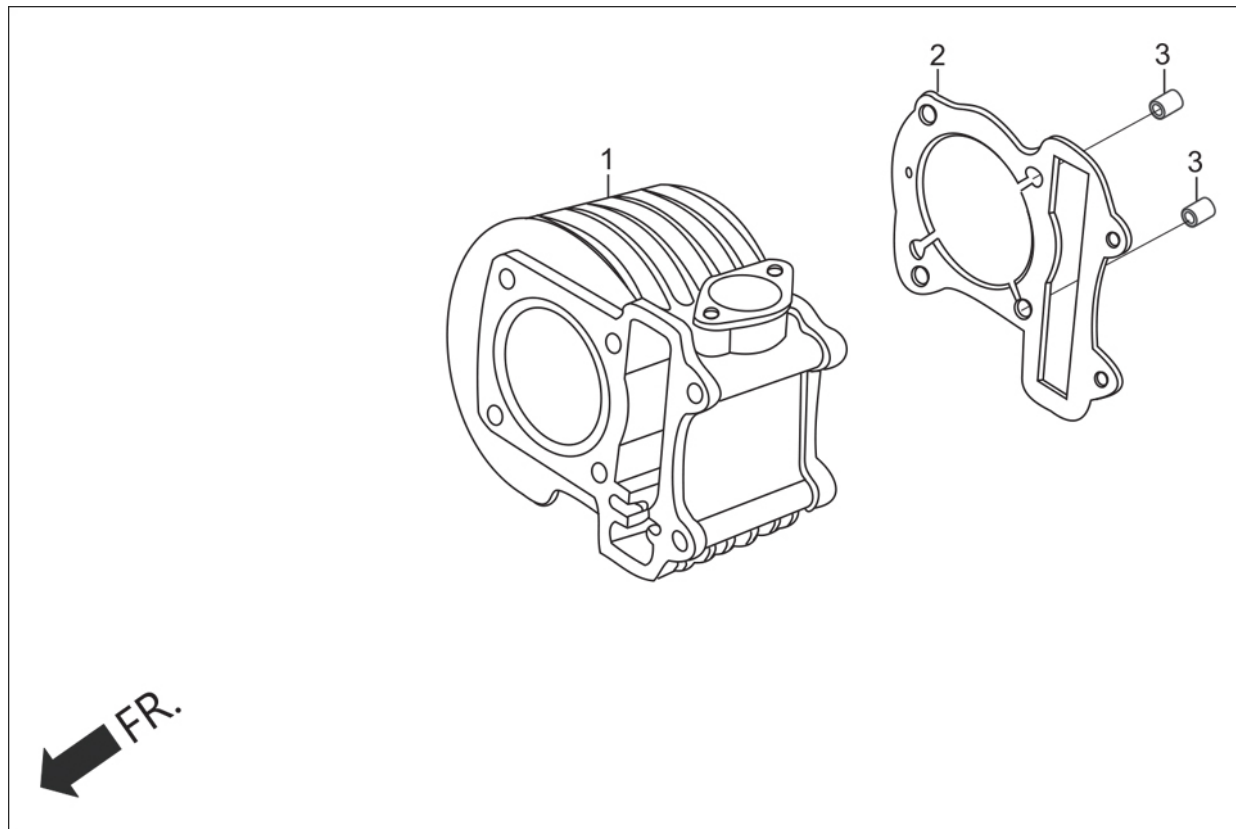


E-5 : CAM CHAIN TENSIONER

Group Number: E-5 **Model ::** Pleasure (May, 2016)

Ref No.	Part Number	Description	Req.
1	14401-KPL-900	CHAIN, CAM	1
2	14510-KPL-900	TENSIONER COMP., CAM CHAIN	1
3	14520-KPL-840	LIFTER ASSY., TENSIONER	1
	14520-KPL-840	LIFTER ASSY., TENSIONER	1
4	14531-GCC-000	PIVOT CAM CHAIN TENSIONER	1
	14531-GCC-000	PIVOT CAM CHAIN TENSIONER	1
5	14560-KCW-880	GASKET TENSIONER LIFTER	1
	14560-KCW-880	GASKET TENSIONER LIFTER	1
6	14611-KTP-900	GUIDE, CAM CHAIN	1
7	90005-KY7-000	SCREW, PAN, 6X6	1
	90005-KY7-000	SCREW, PAN, 6X6	1
8	91301-HM5-630	O-RING, 15.2 X 1.5	1
	91301-HM5-630	O-RING, 15.2 X 1.5	1
9	91306-105-690	O-RING, 1.5 X 9.5	1
	91306-105-690	O-RING, 1.5 X 9.5	1
10	95701-06022-00	BOLT, FLANGE, SH. 6 X 22	2
	95701-06022-00	BOLT, FLANGE, SH. 6 X 22	2

E-6 : CYLINDER

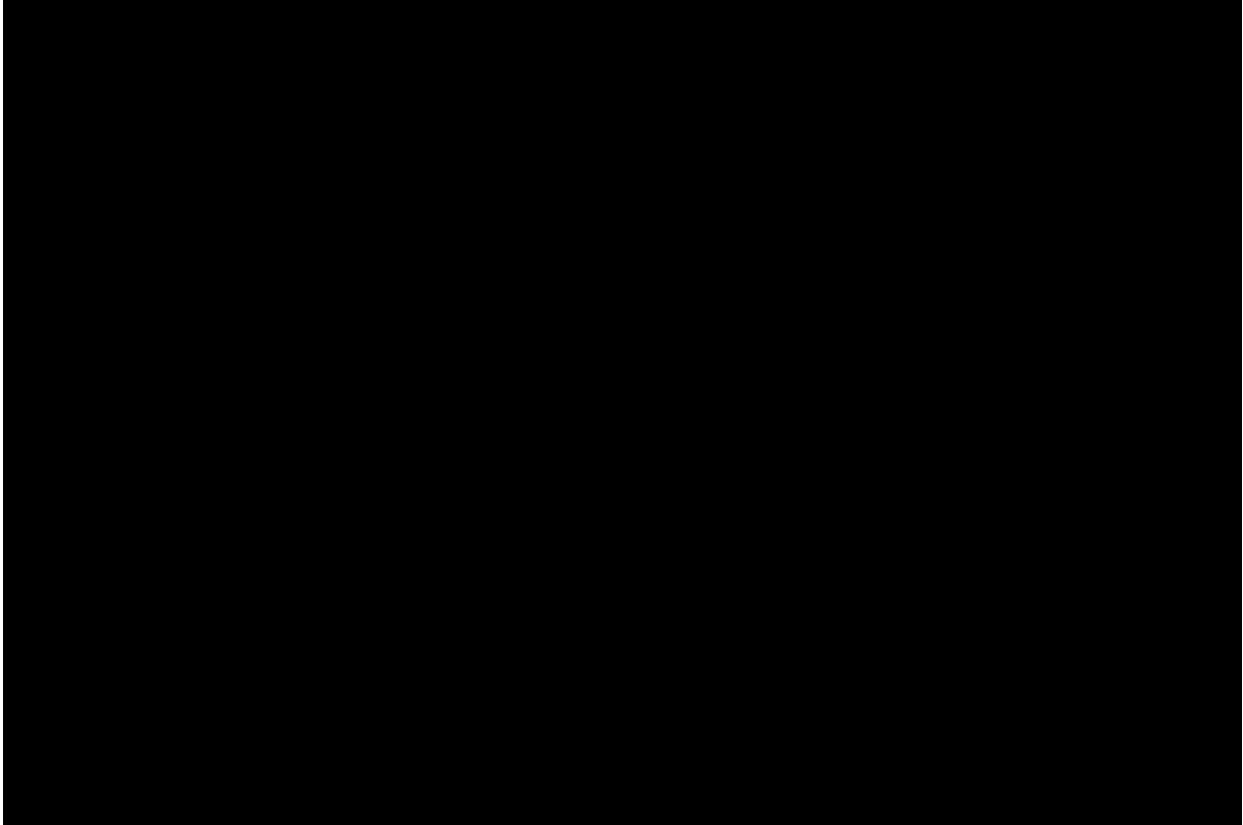


E-6 : CYLINDER

Group Number: E-6 **Model ::** Pleasure (May, 2016)

Ref No.	Part Number	Description	Req.
1	12101-KTP-900	CYLINDER	1
2	12191-AAL-00099	GASKET CYLINDER	1
3	90701-GF6-000	PIN, DOWEL, 8 X 14	2
	90701-GF6-000	PIN, DOWEL, 8 X 14	2

E-7 : RIGHT CRANK CASE



E-7 : RIGHT CRANK CASE

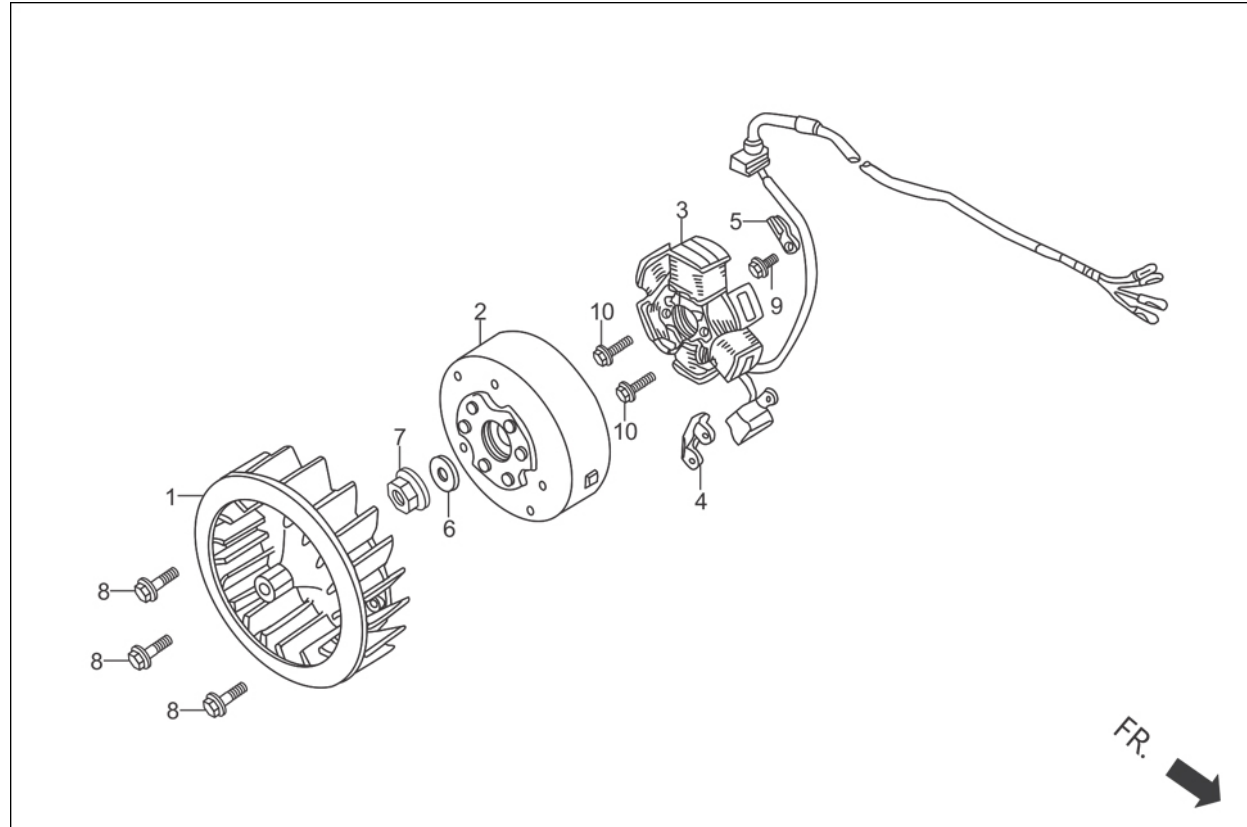
Group Number: E-7 Model :: Pleasure (May, 2016)

Ref No.	Part Number	Description	Req.
1	11100-KTP-900	CRANK CASE COMP., R.	1
2	11102-GT8-B00	RUBBER BUSH, ENGINE HANGER	1
3	11361-AAW-000	COV. OIL PUMP	1
	11361-AAW-000	COV. OIL PUMP	1
4	15651-KTP-900	GAUGE OIL LEVEL	1
5	90031-AAL-000	BOLT A STUD, 7X181	2
6	91201-KPL-901	OIL SEAL, 16X26X7	1
	91201-KPL-901	OIL SEAL, 16X26X7	1
7	91307-035-000	O-RING,18 X 3	1
	91307-035-000	O-RING,18 X 3	1
8	91307-639-000	O-RING, 64X2	1
	91307-639-000	O-RING, 64X2	1
9	92800-12000-00	DRAIN PLUG BOLT	1
	92800-12000-00	DRAIN PLUG BOLT	1
10	94109-12000	WASHER, PLUG, DRAIN	1
	94109-12000	WASHER, PLUG, DRAIN	1
11	94301-08200	DOWEL PIN, 8X20	2
	94301-08200	DOWEL PIN, 8X20	2
12	95701-06022-00	BOLT, FLANGE, SH. 6 X 22	1
	95701-06022-00	BOLT, FLANGE, SH. 6 X 22	1

E-7 : RIGHT CRANK CASE

13	95701-06055-00	BOLT FLANGE 6X55	4
	95701-06055-00	BOLT FLANGE 6X55	4
14	95701-06080-00	BOLT FLANGE 6X80	3
	95701-06080-00	BOLT FLANGE 6X80	3
15	95701-06115-00	BOLT FLANGE 6X115	1
	95701-06115-00	BOLT FLANGE 6X115	1

E-8 : GENERATOR

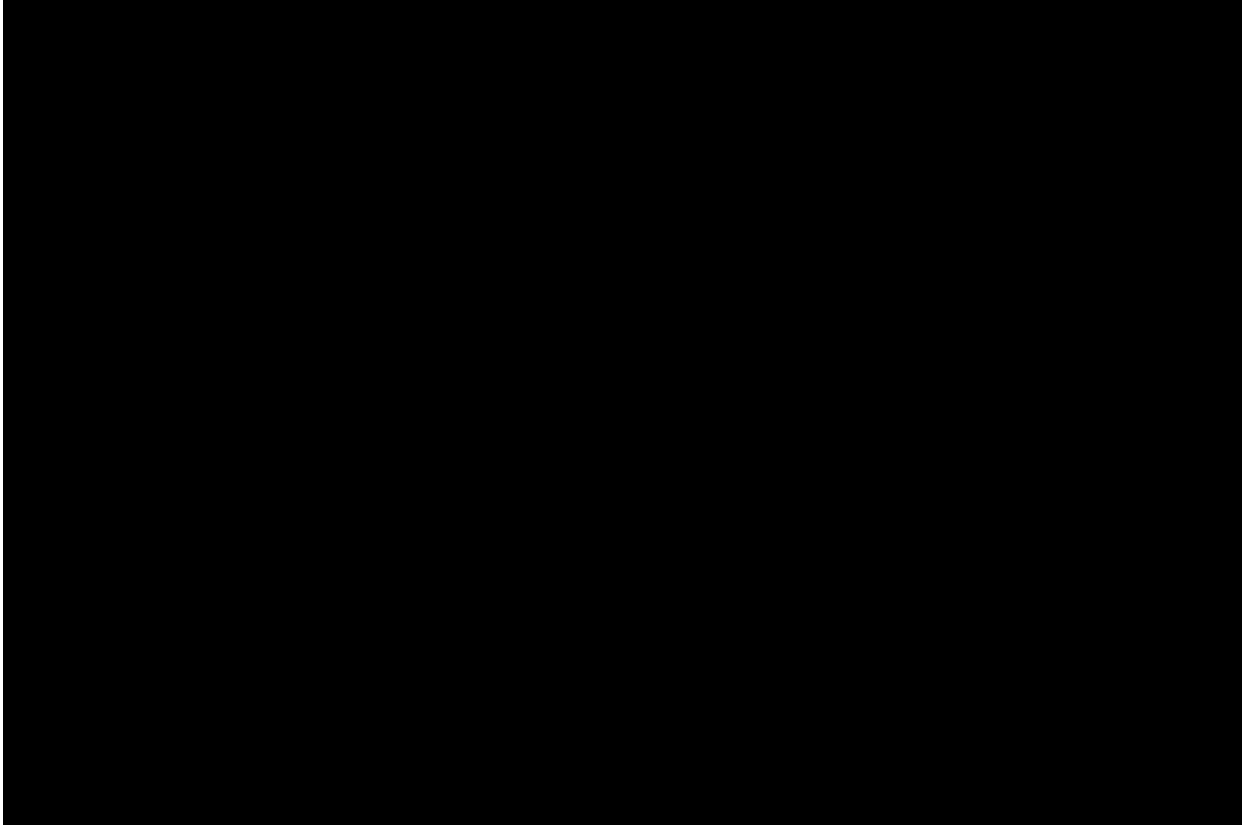


E-8 : GENERATOR

Group Number: E-8 **Model ::** Pleasure (May, 2016)

Ref No.	Part Number	Description	Req.
1	19510-KTP-900	FAN COMP., COOLING	1
	19510-KTP-900	FAN COMP., COOLING	1
2	31110-KTP-890	FLYWHEEL COMP., (DENSO)	1
3	31120-KTP-890	STATOR COMP.(DENSO)	1
4	32907-KPL-900	CLIP, ACG CORD	1
	32907-KPL-900	CLIP, ACG CORD	1
5	32976-107-010	CLAMPER, WIRE HARNESS	1
	32976-107-010	CLAMPER, WIRE HARNESS	1
6	90410-GCC-000	WASHER, 10 MM	1
	90410-GCC-000	WASHER, 10 MM	1
7	94050-10000	NUT, FLANGE, 10MM	1
	94050-10000	NUT, FLANGE, 10MM	1
8	95701-06016-00	BOLT, FLANGE, 6X16	3
	95701-06016-00	BOLT, FLANGE, 6X16	3
9	96001-06016-00	BOLT, FLANGE SH. 6 X 16	1
10	96001-06022-00	BOLT, FLANGE, SH. 6 X 22	2
	96001-06022-00	BOLT, FLANGE, SH. 6 X 22	2

E-9 : OIL PUMP

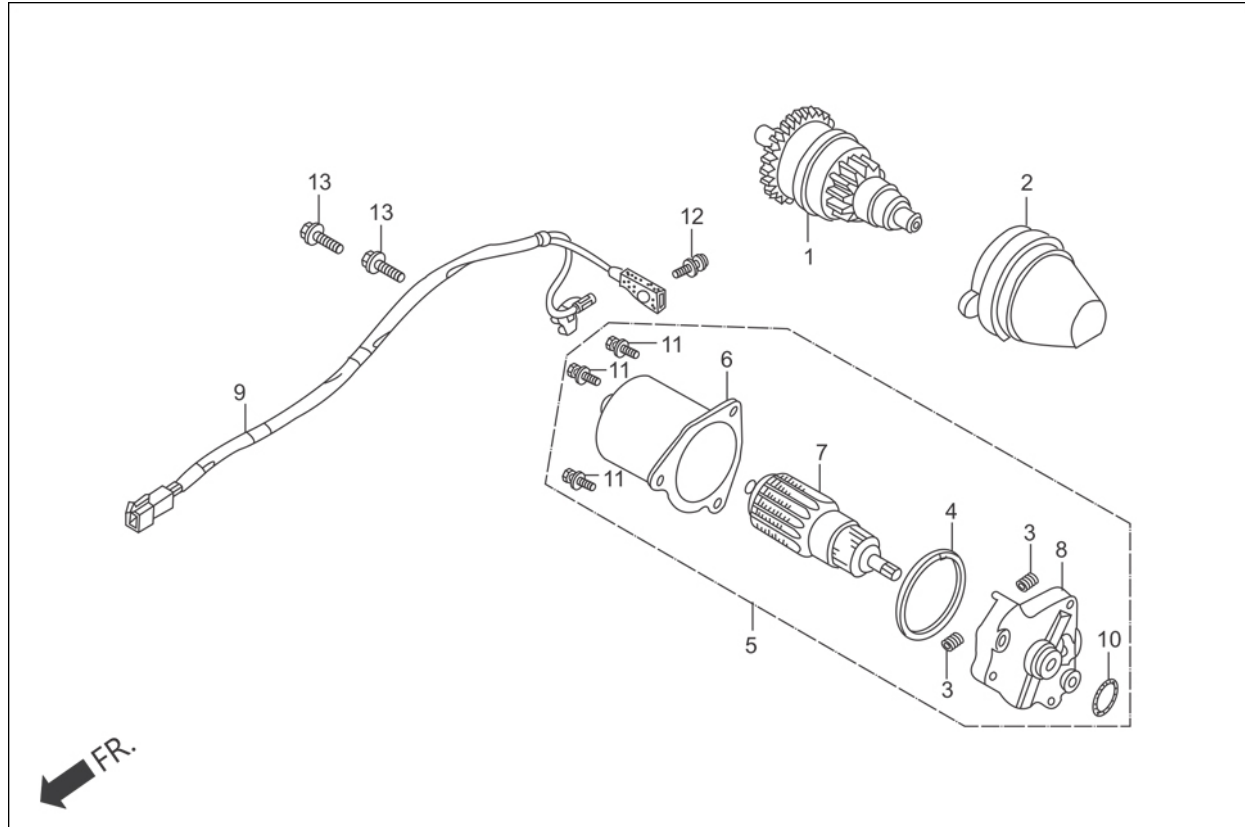


E-9 : OIL PUMP

Group Number: E-9 **Model ::** Pleasure (May, 2016)

Ref No.	Part Number	Description	Req.
1	15100-KTP-900	OIL PUMP ASSY	1
2	15133-AAW-000	GEAR, OIL PUMP DRIVEN	1
	15133-AAW-000	GEAR, OIL PUMP DRIVEN	1
3	15331-436-000	ROTOR, OIL PUMP INNER	1
4	15332-436-000	ROTOR, OIL PUMP OUTER	1
5	90001-KPL-900	BOLT,HEX., 6X30	2
6	90701-GF6-000	PIN, DOWEL, 8 X 14	2
	90701-GF6-000	PIN, DOWEL, 8 X 14	2
7	93901-34120	SCREW, TAPPING, 4X8	1
8	15135-AAW-000	SHAFT COMP OIL PUMP	1
	15135-AAW-000	SHAFT COMP OIL PUMP	1

E-10 : STARTING MOTOR

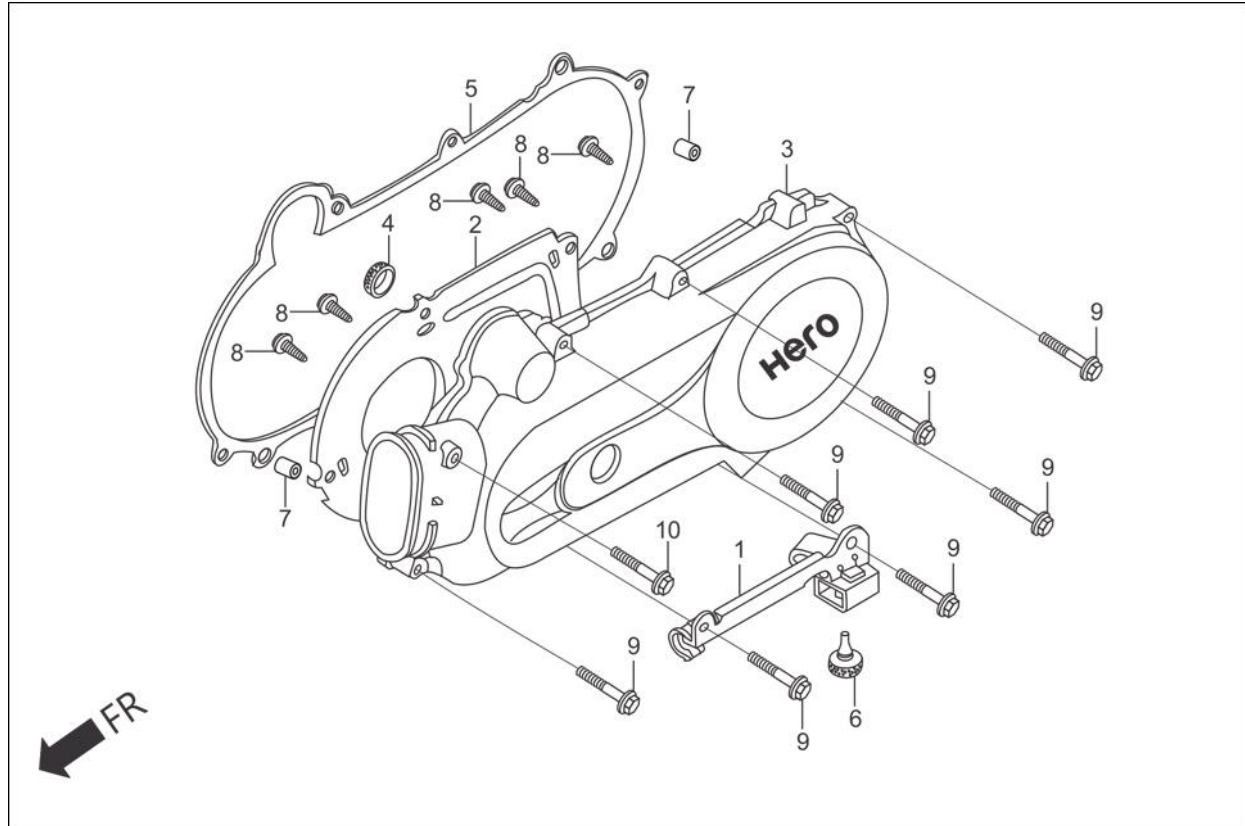


E-10 : STARTING MOTOR

Group Number: E-10 **Model ::** Pleasure (May, 2016)

Ref No.	Part Number	Description	Req.
1	28120-KPL-901	PINION ASSY., STARTER	1
	28120-KPL-901	PINION ASSY., STARTER	1
2	28150-KPL-900	HOLDER COMP., STARTER PINION	1
3	31204-KTP-890	SPRING BRUSH (M/S-LUCAS TVS)	2
4	31206-KTP-890	PACKING (M/S-LUCAS TVS)	1
5	31210-KTP-890	MOTOR UNIT, START	1
6	31211-KTP-890	YOKE	1
7	31212-KTP-890	ARMATURE (M/S-LUCAS TVS)	1
8	31214-KTP-890	FRONT BRKT. COMP.	1
9	32105-KTP-891	HARNESS COMP. STARTER MOTOR (M/S-LUCAS TVS)	1
	32105-KTP-891	HARNESS COMP. STARTER MOTOR (M/S-LUCAS TVS)	1
10	91309-KTP-890	O-RING (M/S-LUCAS TVS)	1
11	93412-05012-08	BOLT WASH.5X12	3
12	93892-04006-08L	SCREW WASH 4X6	1
13	96001-06035-00	BOLT, FLANGE, SH. 6 X 35	2
	96001-06035-00	BOLT, FLANGE, SH. 6 X 35	2

E-11 : LEFT CRANK CASE COVER

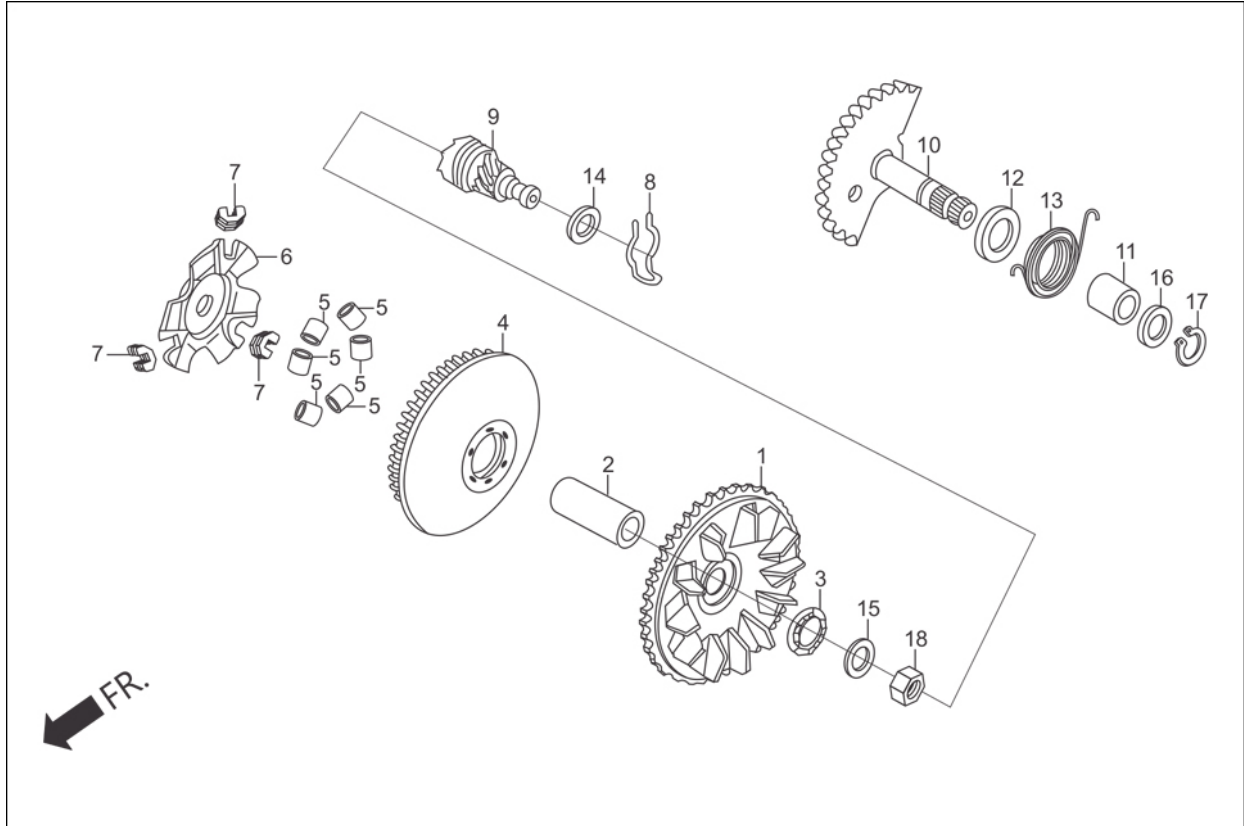


E-11 : LEFT CRANK CASE COVER

Group Number: E-11 **Model ::** Pleasure (May, 2016)

Ref No.	Part Number	Description	Req.
1	11230-KPL-900	CLAMPER, COMP., RR. BRK. CABLE	1
2	11341-KTP-900	PLATE, L COVER	1
3	11342-AAL-H00	COVER L SIDE	1
4	11344-GW3-980	RUBBER, STARTER PINION HOLDER	1
5	11395-AAL-00099	GASKET L COVER	1
6	50501-KTP-900	STOPPER RUBBER	1
	50501-KTP-900	STOPPER RUBBER	1
7	90701-GF6-000	PIN, DOWEL, 8 X 14	2
	90701-GF6-000	PIN, DOWEL, 8 X 14	2
8	93903-34120	SCREW TAPPING 4 X 8	5
9	96001-06035-00	BOLT, FLANGE, SH. 6 X 35	7
	96001-06035-00	BOLT, FLANGE, SH. 6 X 35	7
10	96001-06070-00	BOLT, FLANGE, SH., 6X70	1

E-12 : DRIVE FACE



E-12 : DRIVE FACE

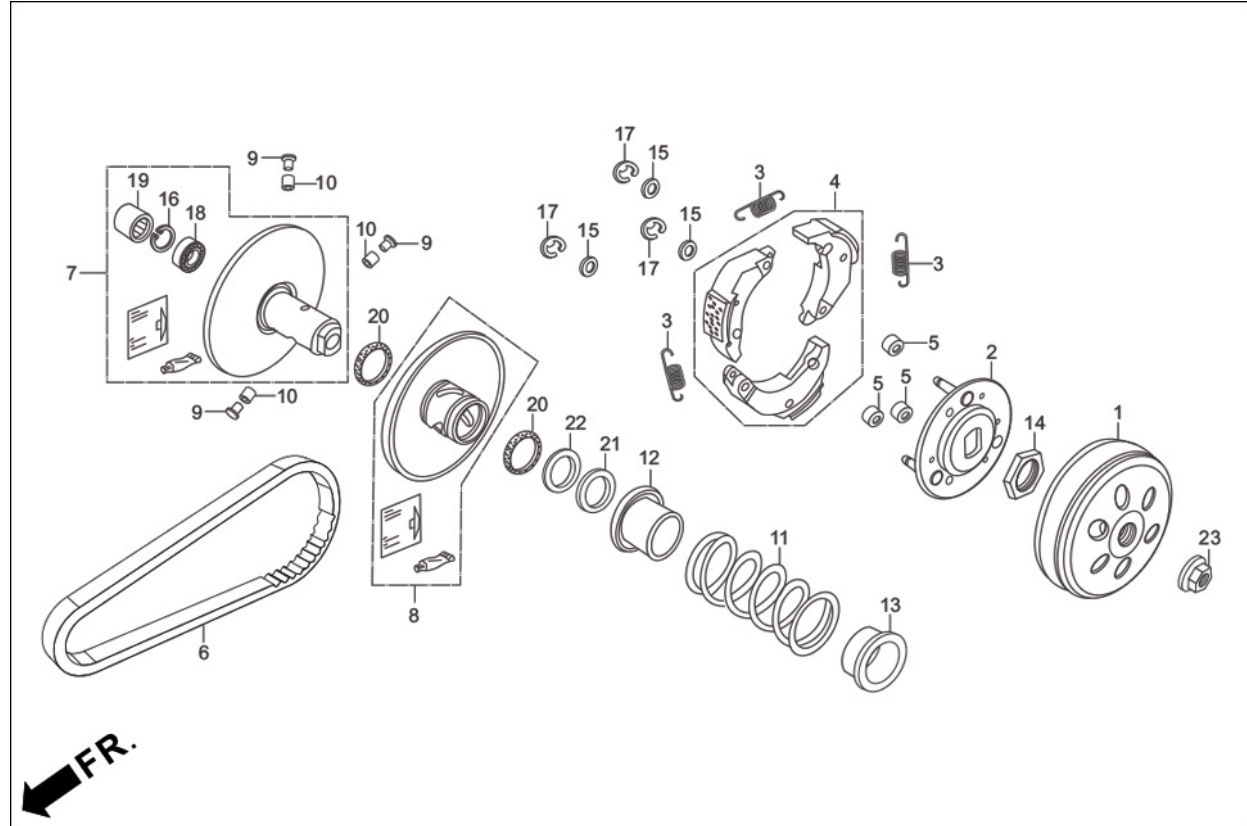
Group Number: E-12 **Model ::** Pleasure (May, 2016)

Ref No.	Part Number	Description	Req.
1	22102-AAL-400	FACE COMP., DRIVE	1
2	22105-KPL-900	BOSS, DRIVE FACE	1
3	22109-KTP-900	RATCHET STARTER	1
4	22110-KPL-900	FACE COMP., MOVABLE DRIVE	1
5	22121-KTP-900	ROLLER, COMP., WEIGHT 12GR	6
6	22131-KPL-900	PLATE, RAMP	1
7	22132-KPL-900	PIECE, SLIDE	3
8	28223-GCC-000	SPG., KICK DRIVEN GEAR	1
	28223-GCC-000	SPG., KICK DRIVEN GEAR	1
9	28230-KVT-900	GEAR COMP., KICK DRIVEN	1
10	28250-KVT-900	SPINDLE COMP., KICK STARTER	1
11	28253-KVT-900	BUSH, KICK SPINDLE	1
	28253-KVT-900	BUSH, KICK SPINDLE	1
12	28255-KPL-900	COLLAR, KICK BOSS	1
	28255-KPL-900	COLLAR, KICK BOSS	1
13	28281-GCC-000	SPRING, KICK RETURN	1
	28281-GCC-000	SPRING, KICK RETURN	1
14	90412-329-000	WASHER, THRUST, 10MM	1
	90412-329-000	WASHER, THRUST, 10MM	1
15	90426-KBN-900	WASHER, SPECIAL, 12MM	1

E-12 : DRIVE FACE

16	90451-KVT-900	WASHER, KICK SPINDLE	1
	90451-KVT-900	WASHER, KICK SPINDLE	1
17	90608-KVT-901	CIRCLIP, EX., 16	1
	90608-KVT-901	CIRCLIP, EX., 16	1
18	94001-12200-0S	NUT, HEX, 12MM	1

E-13 : DRIVEN FACE



E-13 : DRIVEN FACE

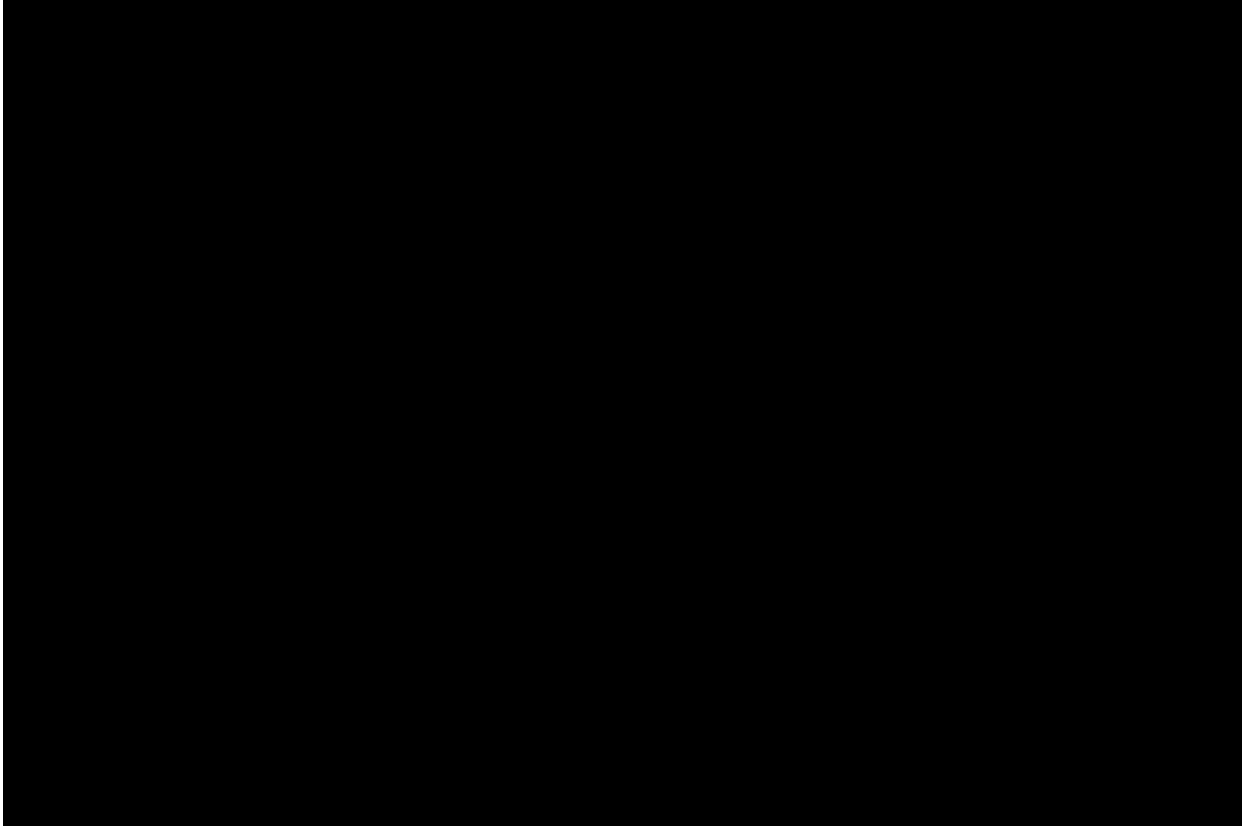
Group Number: E-13 **Model ::** Pleasure (May, 2016)

Ref No.	Part Number	Description	Req.
1	22100-KPL-900	OUTER COMP., CLUTCH	1
2	22350-KPL-900	PLATE COMP., DRIVE	1
3	22401-KTP-901	SPRING, CLUTCH	3
4	22535-KPL-901	WEIGHT, SET, CLUTCH	1
5	22804-148-000	RUBBER, CLUTCH DAMPER	3
	22804-148-000	RUBBER, CLUTCH DAMPER	3
6	23100-AAW-001	BELT DRIVE	1
7	23205-KRP-982	FACE SET, DRIVEN	1
8	23224-KRP-980	FACE SET., MOVABLE DRIVEN	1
9	23225-KPL-900	PIN, ROLLER; GUIDE	3
10	23226-KPL-900	ROLLER, GUIDE	3
11	23233-KPL-900	SPG., DRIVEN FACE	1
12	23237-KPL-900	COLLAR SEAL	1
13	23238-KPL-900	COLLAR SPG.	1
14	90202-KPL-900	NUT SPECIAL 28MM	1
	90202-KPL-900	NUT SPECIAL 28MM	1
15	90442-KPL-900	WASHER, THRUST, 6MM	3
16	90601-KPL-900	CIRCLIP, INT.24	1
17	90603-KPL-900	CIRCLIP, 5MM	3
18	91006-GAZ-980	BRG., RADIAL BALL, 6901 U	1

E-13 : DRIVEN FACE

19	91103-GAZ-980	BRG., NEEDLE, 17X25X18 WS	1
20	91211-GK8-013	OIL SEAL 34X39X3	2
	91211-GK8-013	OIL SEAL 34X39X3	2
21	91351-642-000	O-RING, PINION CAP	1
22	91351-GR1-000	O-RING-38.5X2	1
	91351-GR1-000	O-RING-38.5X2	1
23	94050-10000	NUT, FLANGE, 10MM	1
	94050-10000	NUT, FLANGE, 10MM	1

E-14 : CASE MISSION /TRANSMISSION



E-14 : CASE MISSION /TRANSMISSION

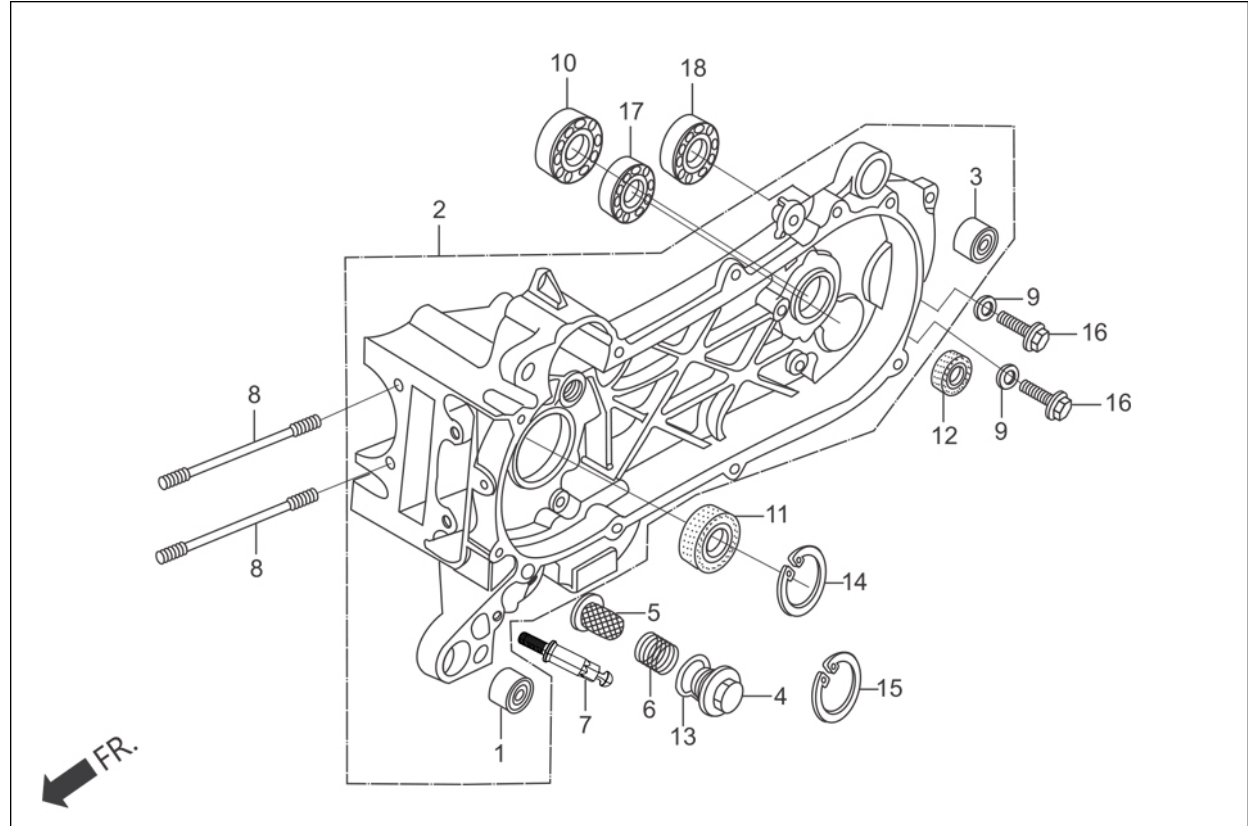
Group Number: E-14 **Model ::** Pleasure (May, 2016)

Ref No.	Part Number	Description	Req.
1	11220-GCC-000	TUBE, MISSION, BREATHER	1
	11220-GCC-000	TUBE, MISSION, BREATHER	1
2	21200-KTP-900	CASE, COMP., MISSION	1
3	21395-GFC-901	GASKET, MISSION CASE	1
4	23411-KPL-900	SHAFT, DRIVE	1
5	23421-GCC-000	SHAFT COUNTER	1
6	23422-GCC-000	GEAR COUNTER	1
	23422-GCC-000	GEAR COUNTER	1
7	23430-KPL-901	GEAR COMP. FINAL	1
8	90701-GF6-000	PIN, DOWEL, 8 X 14	2
	90701-GF6-000	PIN, DOWEL, 8 X 14	2
9	91009-GW3-980	BEARING, BALL, RADIAL, 6004UU	1
	91009-GW3-980	BEARING, BALL, RADIAL, 6004UU	1
10	91203-KPL-901	OIL SEAL 14X20X3.2	1
	91203-KPL-901	OIL SEAL 14X20X3.2	1
11	91255-KPL-901	OIL SEAL 27X42X7	1
	91255-KPL-901	OIL SEAL 27X42X7	1
12	95701-06030-00	BOLT, FLANGE, 6X30	4
13	95701-06040-00	BOLT FLANGE 6X40	3
	95701-06040-00	BOLT FLANGE 6X40	3

E-14 : CASE MISSION /TRANSMISSION

14	96100-62010-00	BEARING, RADIAL BALL, 6201	1
	96100-62010-00	BEARING, RADIAL BALL, 6201	1
15	96100-63010-00	BRG.BALL RADIAL 6301	1
	96100-63010-00	BRG.BALL RADIAL 6301	1
16	91301-053-000	ORING 7.5X1.5	1
	91301-053-000	ORING 7.5X1.5	1

E-15 : LEFT CRANK CASE



E-15 : LEFT CRANK CASE

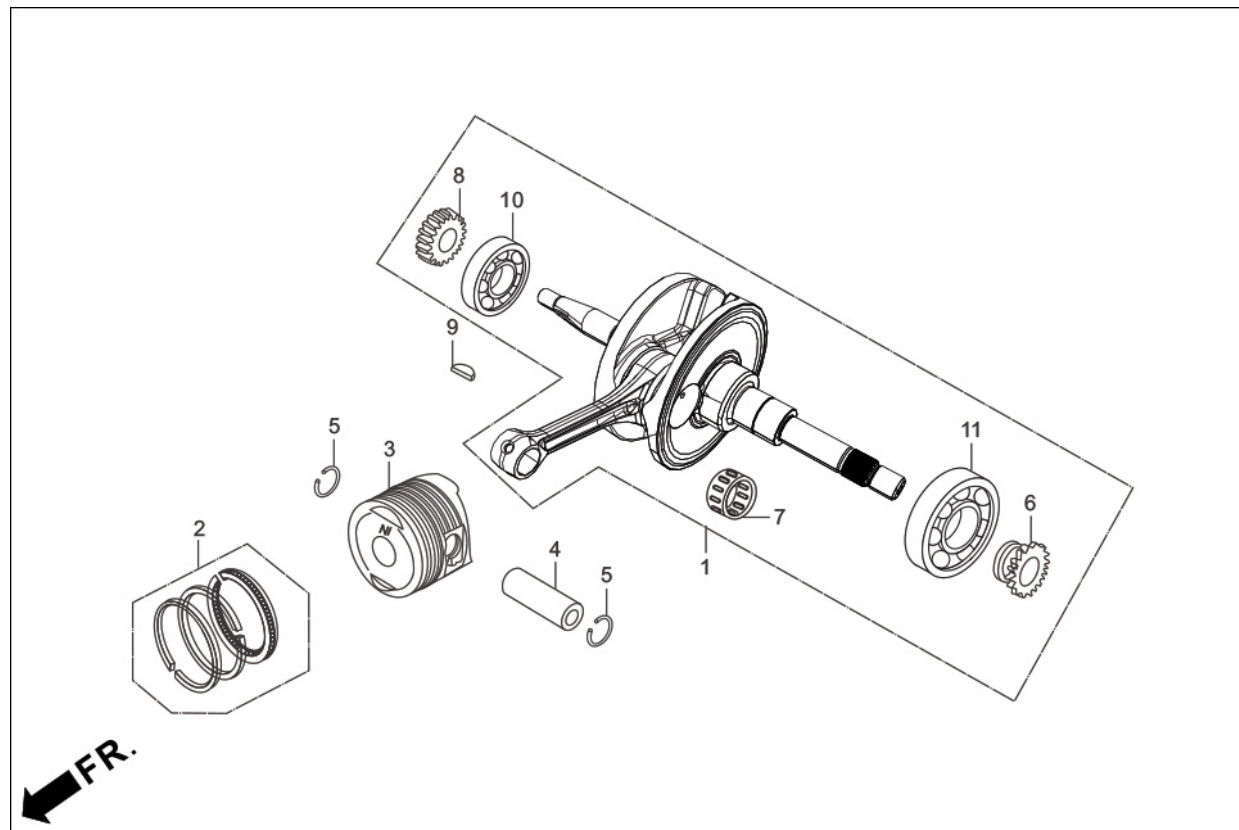
Group Number: E-15 **Model ::** Pleasure (May, 2016)

Ref No.	Part Number	Description	Req.
1	11102-GT8-B00	RUBBER BUSH, ENGINE HANGER	1
2	11200-KTP-900	CRANKCASE COMP., L	1
3	11203-GC7-300	UNDER RUBBER, BUSH, RR. CUSHION	1
4	12361-035-000	CAP, TAPPET ADJUSTING HOLE	1
	12361-035-000	CAP, TAPPET ADJUSTING HOLE	1
5	15421-107-000	SCREEN, OIL FILTER	1
	15421-107-000	SCREEN, OIL FILTER	1
6	15426-KCW-880	SPRING, OIL FILTER SCREEN	1
	15426-KCW-880	SPRING, OIL FILTER SCREEN	1
7	90008-AAL-300	BOLT M/STAND SPG	1
8	90032-AAL-000	BOLT B STUD 7X186	2
9	90474-333-000	WASHER, 8MM	2
10	91004-AAL-00099	BRG.BALL RADIAL 6203 SPC	1
11	91202-KTP-900	OIL SEAL, 20.8X52X6	1
	91202-KTP-900	OIL SEAL, 20.8X52X6	1
12	91204-KPL-901	OIL SEAL, 17X30X6	1
13	91302-001-020	O-RING, 30.8 MM	1
	91302-001-020	O-RING, 30.8 MM	1
14	94520-32000	CIRCLIP, IN, 32	1
15	94520-52150	CIRCLIP, INT.52	1

E-15 : LEFT CRANK CASE

	94520-52150	CIRCLIP, INT.52	1
16	95701-08012-00	BOLT,FLANGE, 8X12	2
17	96100-62010-00	BEARING, RADIAL BALL, 6201	1
	96100-62010-00	BEARING, RADIAL BALL, 6201	1
18	96100-62020-00	BEARING, RADIAL BALL, 6202	1
	96100-62020-00	BEARING, RADIAL BALL, 6202	1

E-16 : CRANK SHAFT/PISTON



E-16 : CRANK SHAFT/PISTON

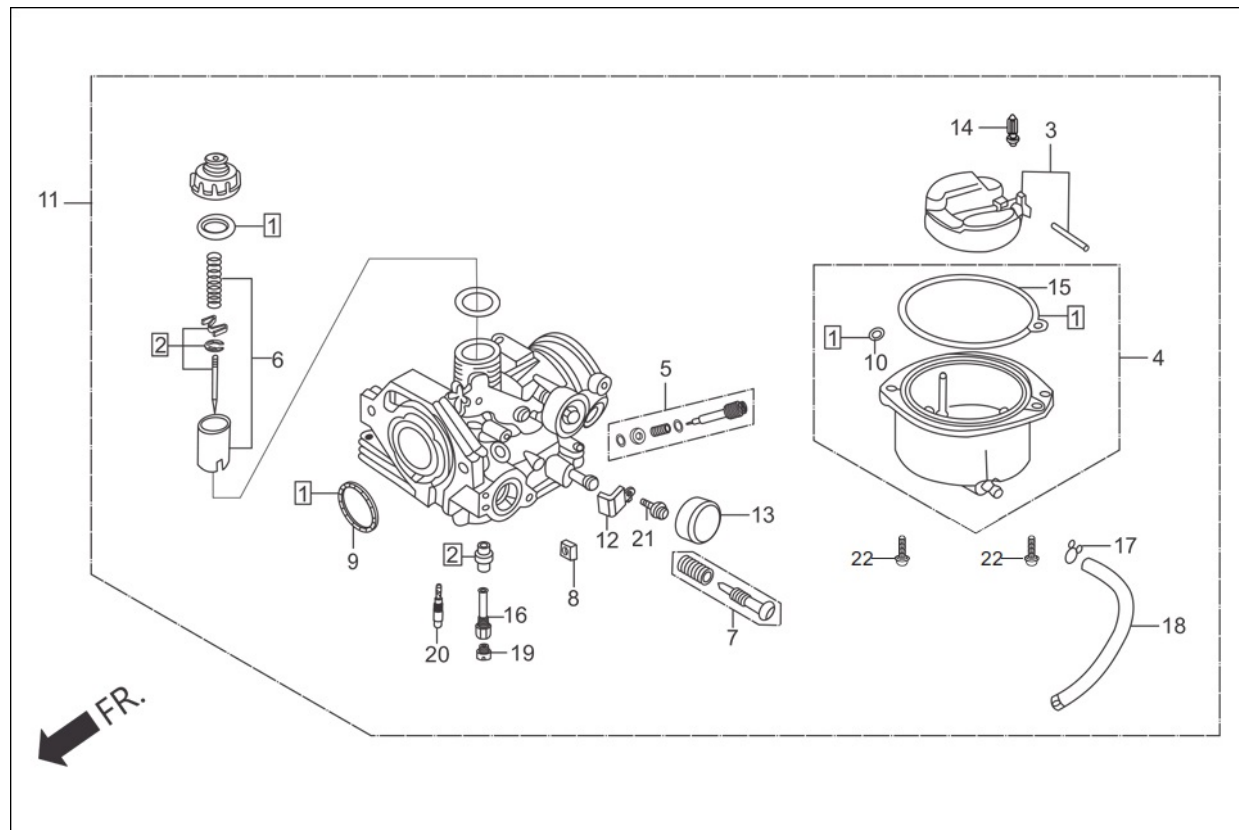
Group Number: E-16 **Model ::** Pleasure (May, 2016)

Ref No.	Part Number	Description	Req.
1	13000-AAL-300	CRANK SHAFT COMP.	1
2	13011-KCC-942	RING SET, PISTON (STD)	1
	13012-KCC-942	RING SET PISTON O/S (.25)	1
	13013-KCC-942	RING SET PISTON O/S (.50)	1
	13014-KCC-942	RING SET PISTON O/S (.75)	1
	13015-KCC-942	RING SET PISTON O/S (1.00)	1
3	13101-KPL-901	PISTON	1
	13102-KPL-901	PISTON, (O/S 0.25)	1
	13103-KPL-901	PISTON, (O/S 0.50)	1
	13104-KPL-901	PISTON, (O/S 0.75)	1
	13105-KPL-901	PISTON, (O/S 1.00)	1
4	13111-087-000	PIN, PISTON	1
	13111-087-000	PIN, PISTON	1
5	13115-001-000	CLIP, PISTON PIN	2
	13115-001-000	CLIP, PISTON PIN	2
6	14311-KPL-900	SPROCKET, TIMING	1
	14311-KPL-900	SPROCKET, TIMING	1
7	91101-AAC-H40	BEARING, CONNECTING ROD(RE D)	1
	91102-AAC-H40	BEARING, CONNECTING ROD(BLUE)	1
	91103-AAC-H40	BEARING, CONNECTING ROD(WHITE)	1

E-16 : CRANK SHAFT/PISTON

8	15131-KPL-900	GEAR, OIL PUMP DRIVE	1
	15131-KPL-900	GEAR, OIL PUMP DRIVE	1
9	90741-KPL-900	KEY, WOODRUFF	1
	90741-KPL-900	KEY, WOODRUFF	1
10	91001-GCC-000	BRG., BALL RADIAL, 6205Z	1
	91001-GCC-000	BRG., BALL RADIAL, 6205Z	1
11	91002-GCC-000	BRG., BALL RADIAL, 6007	1
	91002-GCC-000	BRG., BALL RADIAL, 6007	1

E-17 : CARBURETTOR



E-17 : CARBURETTOR

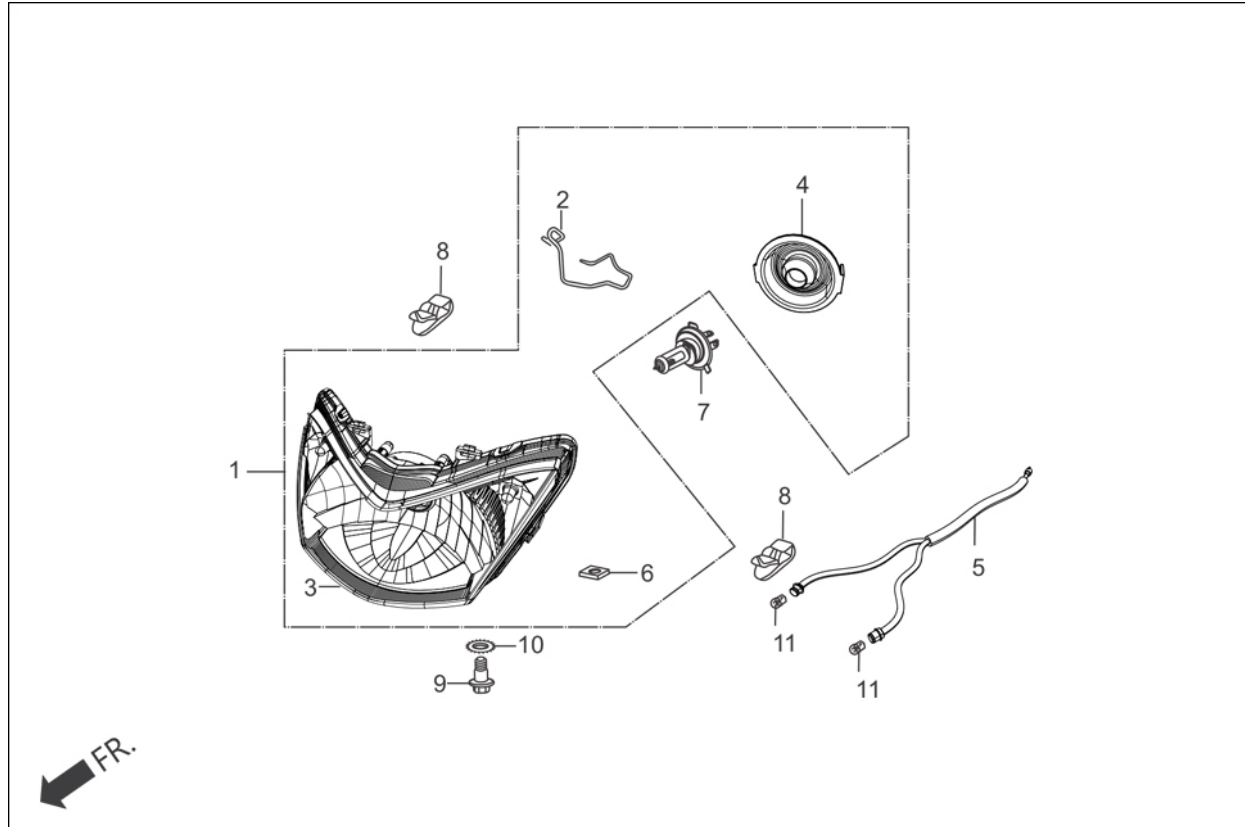
Group Number: E-17 **Model ::** Pleasure (May, 2016)

Ref No.	Part Number	Description	Req.
1	16010-KVT-901	GASKET, SET	1
2	16012-KTP-951	NEEDLE, SET, JET	1
3	16013-KRB-901	FLOAT, SET	1
4	16015-KTP-951	CHAMBER, SET, FLOAT	1
5	16016-KPW-H01	SCREW, SET	1
6	16022-KTP-901	VALVE, SET, THROTTLE	1
7	16028-KPL-901	SCREW, SET	1
8	16041-KPL-901	SQUARE, NUT, SET	1
9	16075-KPL-901	O-RING	1
10	16076-KPL-901	O-RING	1
11	16100-AAL-H00	CARBURETOR ASSY	1
12	16119-KPL-901	PLATE STAY	1
13	16148-KPL-901	CAP,CHOKE LEVER DUST	1
14	16155-KPL-901	VALVE COMP ., FLOAT	1
15	16163-GFP-901	GASKET FLOAT CHAMBER	1
16	16165-KRP-761	HOLDER, NEEDLE JET	1
17	95002-02659	CLIP, B-1, 6.5 TUBE	1
18	95005-35280-50	TUBE, OVERFLOW	1
19	99101-KPH-0780	JET MAIN # 78A	1
20	99103-KTP-0380	JET COMP. #38X #38	1

E-17 : CARBURETTOR

21	93892-04010-18	SCREW, WASHER, 4 X 10	1
22	93892-04018-08	SCREW WASH 4X18	1

F-1 : HEAD LIGHT

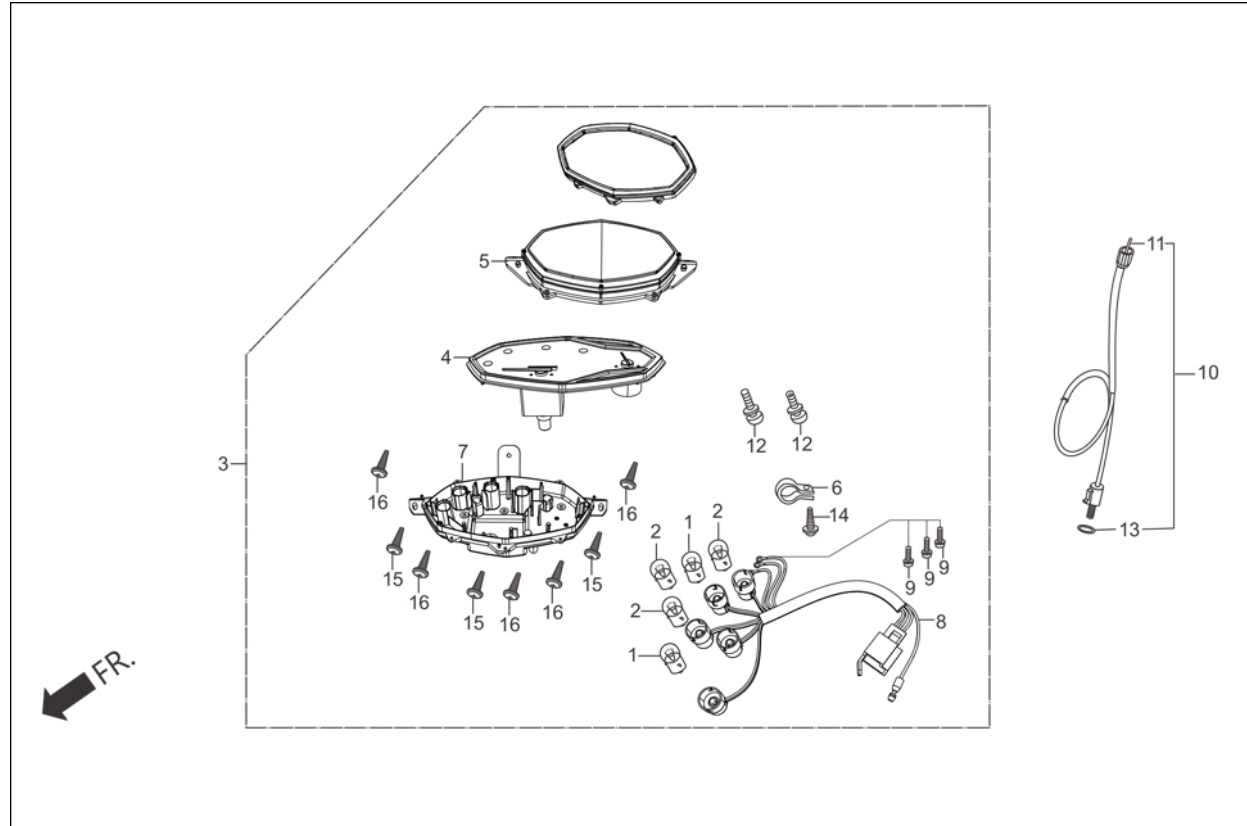


F-1 : HEAD LIGHT

Group Number: F-1 **Model ::** Pleasure (May, 2016)

Ref No.	Part Number	Description	Req.
1	3310B-AAL-301	LIGHT ASSY HEAD(W/O BULB)	1
2	33108-AAB-000	BULB SPRING	1
3	33120-AAL-001	UNIT HEAD LIGHT	1
4	33126-AAL-001	COVER RUBBER	1
5	33130-AAL-301	SOCKET COMP POSITION LIGHT	1
6	33128-GFC-890	NUT, SPECIAL	1
7	34901-KSP-910	BULB, HEAD LIGHT	1
	34901-KSP-910	BULB, HEAD LIGHT	1
8	53209-GAH-000	CLIP, HEADLIGHT	2
	53209-GAH-000	CLIP, HEADLIGHT	2
9	90101-GJ6-000	BOLT, ADJUST	1
	90101-GJ6-000	BOLT, ADJUST	1
10	90307-GJ6-000	WASHER, LOCK, 6 MM	1
	90307-GJ6-000	WASHER, LOCK, 6 MM	1
11	33301-AAB-401	BULB (12V5W) BULB E MARK	2

F-2 : METER

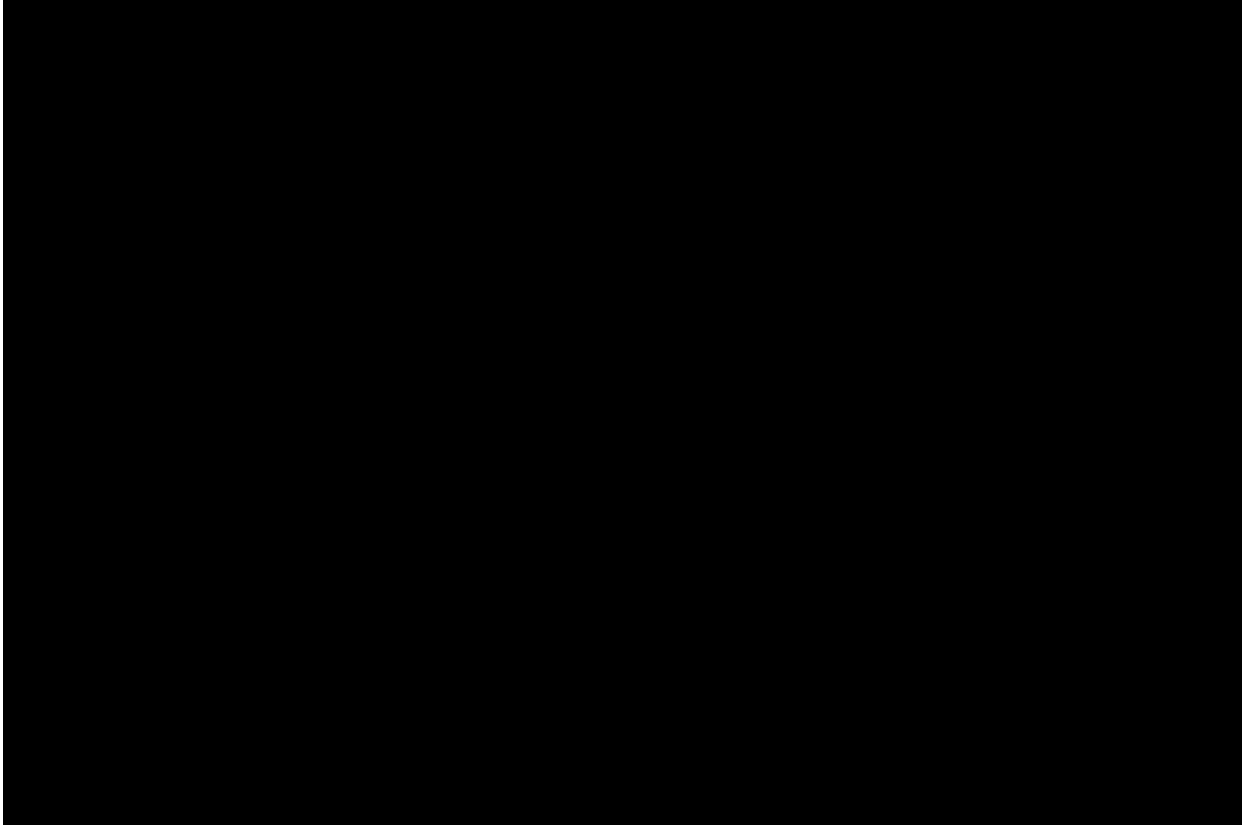


F-2 : METER

Group Number: F-2 **Model ::** Pleasure (May, 2016)

Ref No.	Part Number	Description	Req.
1	34908-KVE-900	BULB, WEDGE BASE T10 (12V - 1.7 W)	2
2	34909-KVE-900	BULB, WEDGE BASE (12V - 3 W)	3
3	37200-AAL-301	SPEEDOMETER COMP	1
4	37210-AAL-301	SPEEDO & FUEL METER COMP	1
5	37211-AAL-001	LENS	1
6	37216-KCJ-710	CLAMP	1
7	37220-AAL-301	CASE COMP	1
8	37224-AAL-301	SOCKET COMP	1
9	37305-GW3-780	SCREW, WASH 3X22	3
10	44830-KTP-900	CABLE COMP., SPDMT	1
11	44831-KTP-900	CABLE INNER	1
12	90035-GW3-980	SCREW, WASH , SPL.4X10	2
13	91352-GAZ-930	O-RING 8.5X11.5	1
14	93903-24420	SCREW,TAPPING,4 X 16	1
15	93903-25380	SCREW TAPPING 5X16	3
16	93903-22480	SCREW TAPPING 3 X 16	5

F-3 : HANDLE LEVER/SWITCH/CABLE



F-3 : HANDLE LEVER/SWITCH/CABLE

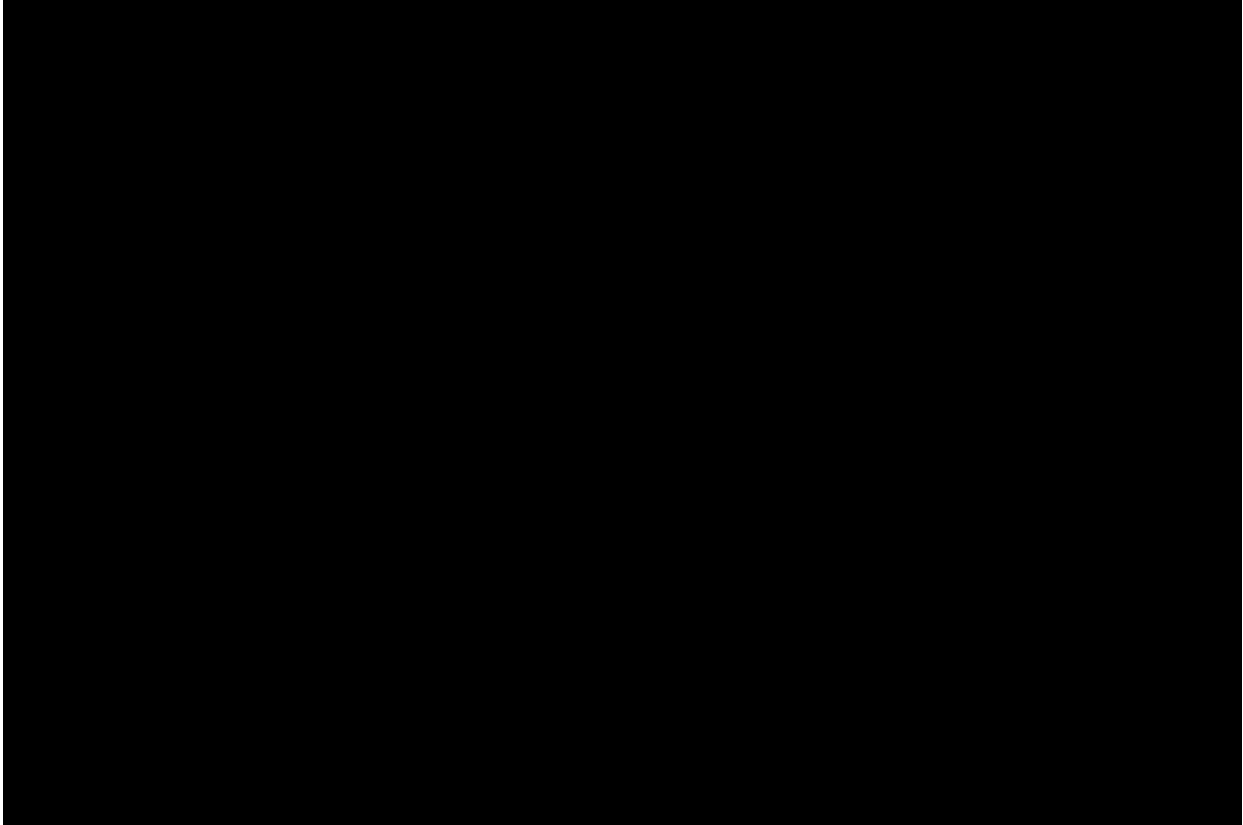
Group Number: F-3 **Model ::** Pleasure (May, 2016)

Ref No.	Part Number	Description	Req.
1	17920-KTP-305	CABLE SET, THROTTLE	1
2	17950-KPL-900	CABLE COMP.,CHOKE	1
3	30158-GW3-980	RING E TYPE 3MM	1
4	17910-KTP-900	CABLE COMP. THROTTLE	1
5	35160-KTP-890	SWITCH, UNIT START	1
6	35170-KTP-890	SW UNIT DIMMER	1
7	35180-KTP-890	SWITCH, UNIT HORN	1
8	35200-KTP-890	SWITCH, UNIT WINKER	1
9	35340-KTP-890	SWITCH ASSY., FR. STOP	2
	35340-KTP-890	SWITCH ASSY., FR. STOP	2
10	43450-KTP-900	CABLE COMP., RR. BRK.	1
11	45450-AAL-100	CABLE COMP RH FR BRK	1
12	53140-KTP-900	GRIP COMP. , THROT	1
13	53166-KTP-900	GRIP L HANDLE	1
14	53167-KPL-900	HOUSING , UPP., THROT	1
15	53168-KTP-900	HOUSING UND., THROT	1
16	53172-AAL-100	BRKT HANDLE	1
17	53173-KPL-900	BAND, HANDLE BRKT	1
	53173-KPL-900	BAND, HANDLE BRKT	1
18	53175-KTP-900	LEVER, R. STRG. HANDLE	1

F-3 : HANDLE LEVER/SWITCH/CABLE

19	53178-AAL-100	LEVER L HANDLE	1
	53178-AAL-100	LEVER L HANDLE	1
20	53181-AAL-100	LEVER COMP PARKING	1
21	53182-AAL-100	SPRING RETURN LEVER	1
22	53183-GW3-980	PIN, PIVOT, PARKING LEVER	1
23	88110-AAL-000X	MIRROR ASSY R BACK(PFW, NH-341P)	1
	88110-AAL-000W	MIRROR ASSY R BACK(FSM,NH-411M)	1
	88110-AAL-000V	MIRROR ASSY R BACK(CBR,R-195C)	1
	88110-AAL-000Z	MIRROR ASSY R BACK(BLK,NH-1)	1
24	88113-KRP-901	CAP, LOCK NUT	2
25	88120-AAL-000X	MIRROR ASSY L BACK(PFW, NH-341P)	1
	88120-AAL-000W	MIRROR ASSY L BACK(FSM,NH-411M)	1
	88120-AAL-000V	MIRROR ASSY L BACK(CBR,R-195C)	1
	88120-AAL-000Z	MIRROR ASSY L BACK(BLK,NH-1)	1
26	90115-KPL-900	SCREW, HNDL LEVER PIVOT	2
27	90134-GM8-000	NUT, LOCK	1
28	90135-KGF-900	NUT, LOCK L.H.	1
29	90304-KPL-900	NUT HEX 5 MM	2
30	94103-05800	WASHER,PLAIN, 5.5MM	2
31	45440-AAL-100	CABLE COMP LH FR BRK	1
32	93401-06020-00	BOLT, WASHER, 6 X 20	2
33	94002-10070-0S	NUT, HEX., 10MM	1

F-4 : STEERING HANDLE/HANDLE COVER

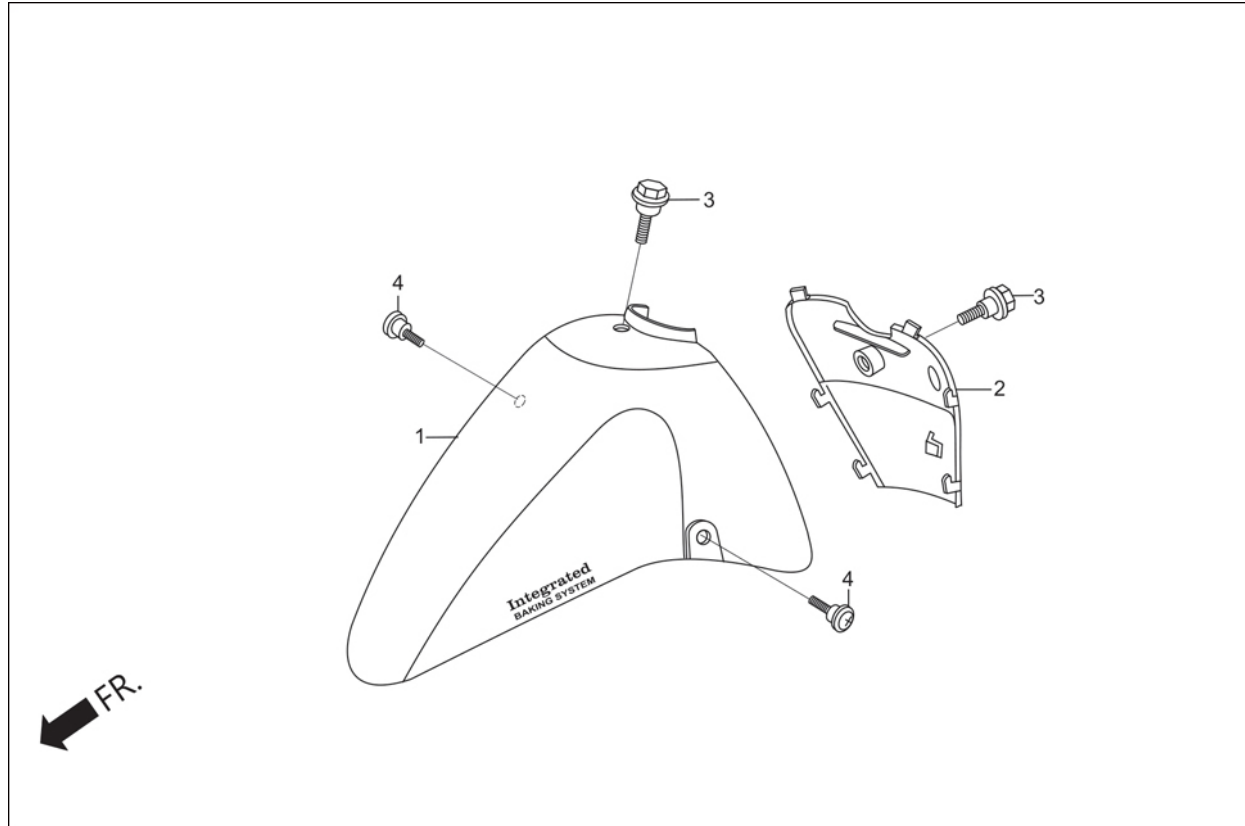


F-4 : STEERING HANDLE/HANDLE COVER

Group Number: F-4 **Model ::** Pleasure (May, 2016)

Ref No.	Part Number	Description	Req.
1	53100-AAL-400	HANDLE COMP. STRG.	1
2	53206-AAL-000	COVER HANDLE RR	1
3	53207-AAL-000X	SET, HANDLE FR COVER(PFW, NH-341P)	1
	53207-AAL-000W	SET, HANDLE FR COVER(FSM,NH-411M)	1
	53207-AAL-000Y	SET, HANDLE FR COVER(CBR,R-195C (TYPE-2))	1
	53207-AAL-000Z	SET, HANDLE FR COVER(BLK,NH-1)	1
4	90116-KTP-900	SCREW WASH 5X16	1
5	90304-KCS-920	NUT U 10 MM	1
	90304-KCS-920	NUT U 10 MM	1
6	93891-05025-07	SCREW, WASH, 5X25	1
7	93903-34480	SCREW, TAPPING, 4X 16	6
8	94102-10000	WASHER, PLAIN, 10MM	2
9	95801-10045-08	BOLT, FLANGE, 10X45	1
10	81257-AAY-100	CAP SW. UNIT LIGHTING	1

F-5 : FRONT FENDER

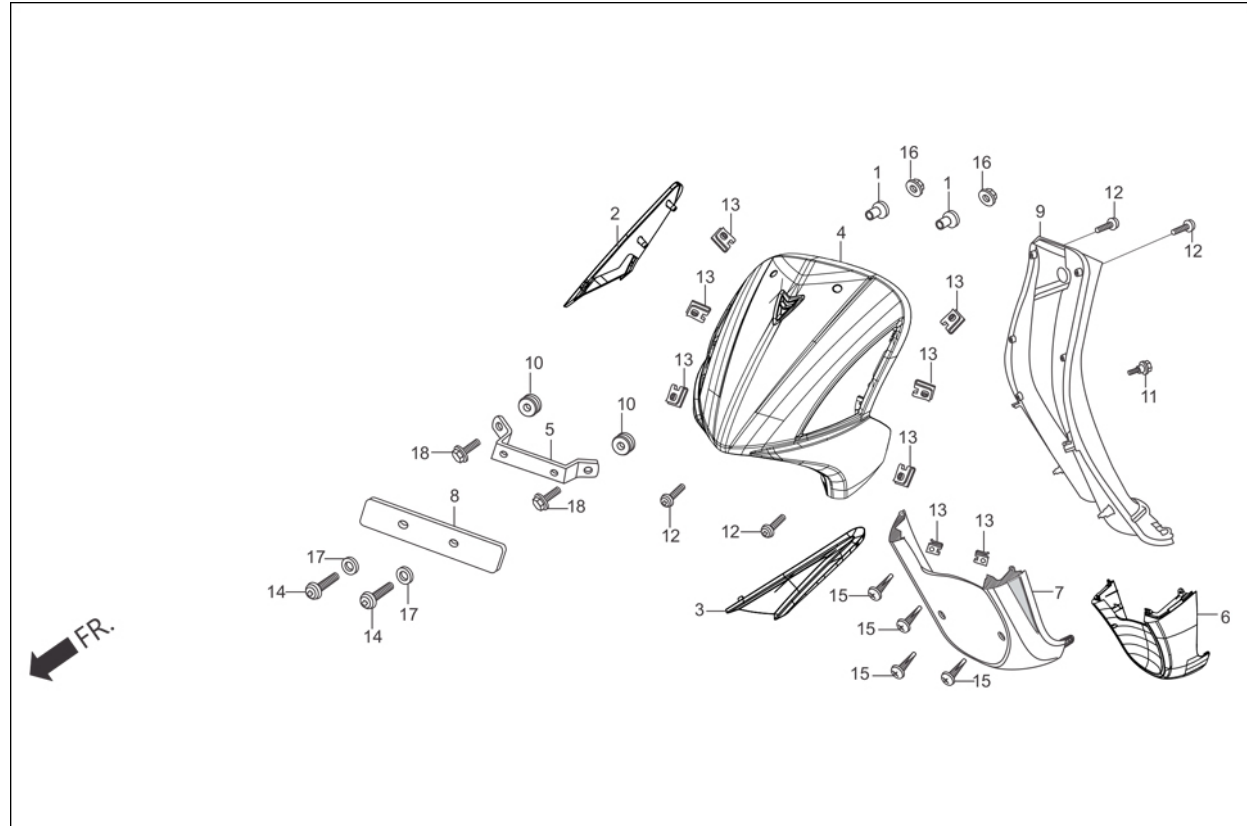


F-5 : FRONT FENDER

Group Number: F-5 **Model ::** Pleasure (May, 2016)

Ref No.	Part Number	Description	Req.
1	61105-AAL-000R	SET, FR FENDER(LPM,P-50M)	1
	61105-AAL-000S	SET, FR FENDER(VOR, YR-250)	1
	61105-AAL-000T	SET, FR FENDER(FBM,B-185M)	1
	61105-AAL-000U	SET, FR FENDER(LGM,GY-141M)	1
	61105-AAL-000V	SET, FR FENDER(CBR,R-195C (TYPE-1))	1
	61105-AAL-000W	SET, FR FENDER(FSM,NH-411M)	1
	61105-AAL-000X	SET, FR FENDER(PFW,NH-341P)	1
	61105-AAL-000Z	SET, FR FENDER(BLK,NH-1)	1
2	61110-KTP-900	FENDER, B, FR	1
3	90111-KPL-900	BOLT, INNER COVER	2
	90111-KPL-900	BOLT, INNER COVER	2
4	90113-KTP-900	BOLT SPECIAL HEX. 6X14	2

F-6 : FR. & INNER COVER



F-6 : FR. & INNER COVER

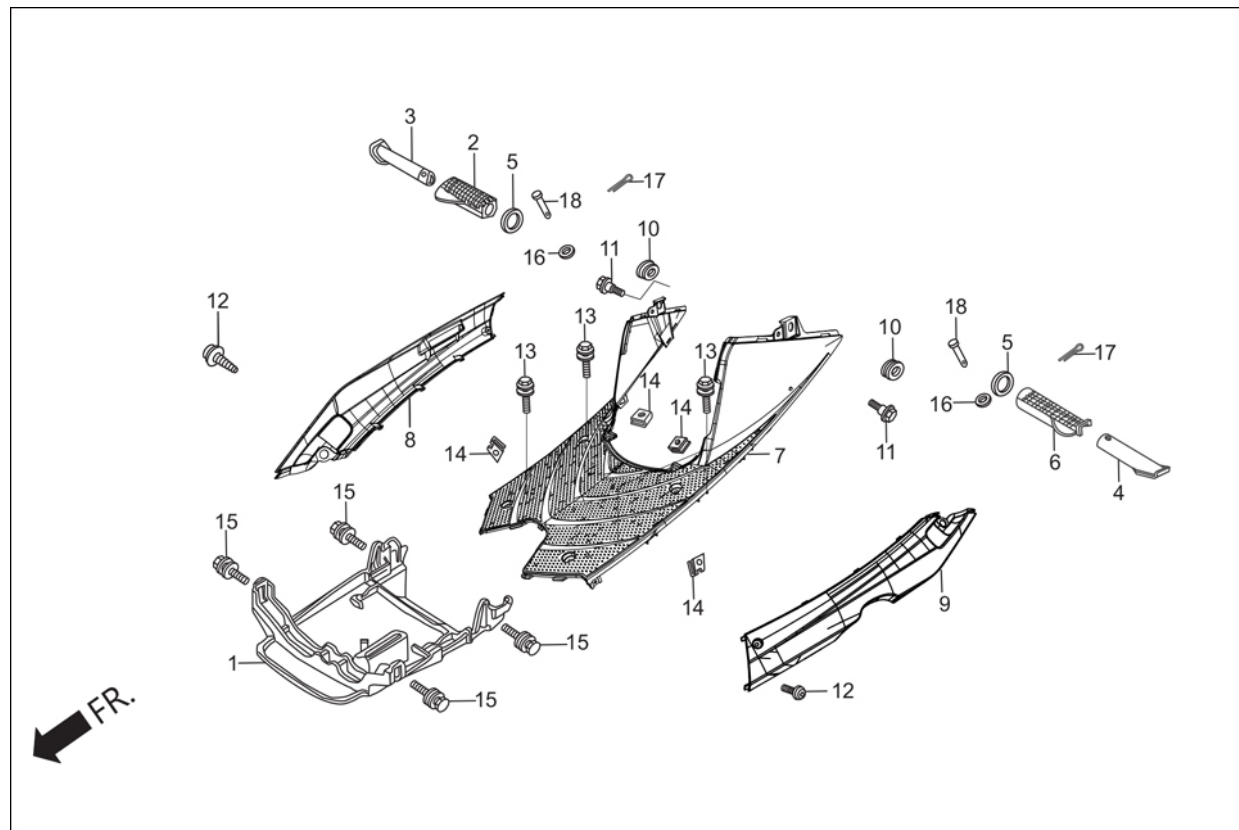
Group Number: F-6 **Model ::** Pleasure (May, 2016)

Ref No.	Part Number	Description	Req.
1	61104-428-000	COLLAR, FR, FENDER	2
	61104-428-000	COLLAR, FR, FENDER	2
2	61335-AAL-000	GARNISH R BODY COVER	1
3	61345-AAL-000	GARNISH L BODY COVER	1
4	64200-AAL-000R	SET, FR UPPER COVER(LPM,P-50M)	1
	64200-AAL-000S	SET, FR UPPER COVER(VOR,YR-250)	1
	64200-AAL-000T	SET, FR UPPER COVER(FBM,B-185M)	1
	64200-AAL-000U	SET, FR UPPER COVER(LGM,GY-141M)	1
	64200-AAL-000V	SET, FR UPPER COVER(CBR,R-195C (TYPE-1))	1
	64200-AAL-000W	SET, FR UPPER COVER(FSM,NH-411M)	1
	64200-AAL-000X	SET, FR UPPER COVER(PFW,NH-341P)	1
	64200-AAL-000Y	SET, FR UPPER COVER(CBR,R-195C (TYPE-2))	1
	64200-AAL-000Z	SET, FR UPPER COVER(BLK,NH-1)	1
5	64303-KTP-900	STAY, FR. NO. PLATE	1
6	64305-AAL-000V	COVER FR LOWER (CBR,R-195C(TYPE-2))	1
	64305-AAL-000W	COVER FR LOWER (FSM,NH-411M)	1
	64305-AAL-000X	COVER FR LOWER (PFW,NH-341P)	1
	64305-AAL-000Z	COVER FR LOWER (BLK,NH-1)	1
7	64350-AAL-000R	SET, FR LOWER COVER(LPM,P-50M)	1
	64350-AAL-000S	SET, FR LOWER COVER(VOR,YR-250)	1

F-6 : FR. & INNER COVER

	64350-AAL-000T	SET, FR LOWER COVER(FBM,B-185M)	1
	64350-AAL-000U	SET, FR LOWER COVER(LGM,GY-141M)	1
	64350-AAL-000V	SET, FR LOWER COVER(CBR,R-195C (TYPE-1))	1
8	64310-198-D20A	PLATE, FRONT NUMBER	1
	64310-198-D20A	PLATE, FRONT NUMBER	1
9	81131-AAL-000	COVER INNER	1
10	84703-425-000	RUBBER TAIL LIGHT (MOUNT)	2
11	90111-KPL-900	BOLT, INNER COVER	1
	90111-KPL-900	BOLT, INNER COVER	1
12	90116-KTP-900	SCREW WASH 5X16	4
13	90677-KAN-961	NUT CLIP 5MM	8
14	93500-05010-1A	SCREW, PAN, 5X10	2
15	93903-34420	SCREW TAPPING 4X16	4
16	94050-06000	NUT, FLANGE, 6 MM	4
	94050-06000	NUT, FLANGE, 6 MM	4
17	94101-05000	WASHER , PLAIN, 5MM	2
18	95701-06025-00	BOLT, FLANGE, 6X 25	2

F-7 : FLOOR PANEL



F-7 : FLOOR PANEL

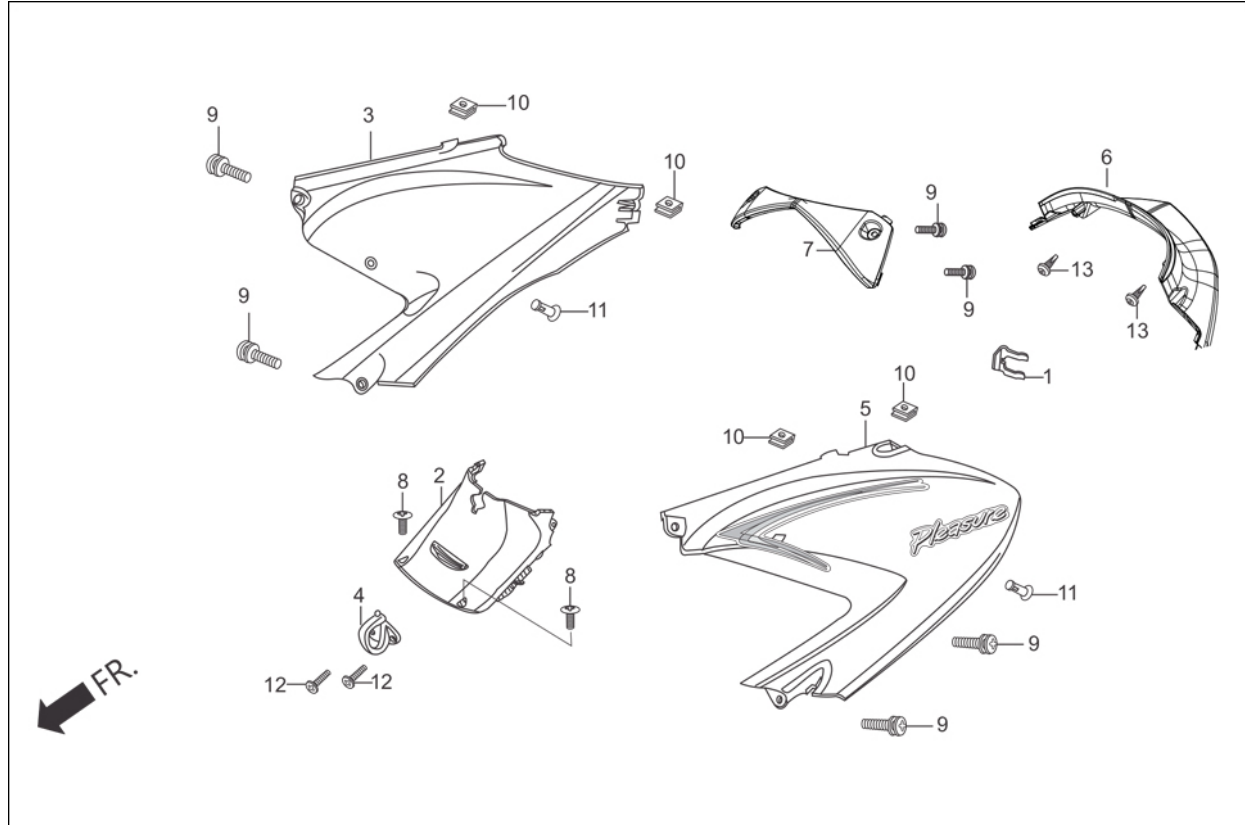
Group Number: F-7 **Model ::** Pleasure (May, 2016)

Ref No.	Part Number	Description	Req.
1	50621-KTP-900	COVER, UNDER	1
2	50710-KTP-900	RUBBER, R.P. STEP	1
3	50711-KTP-900	BAR, R. P. STEP	1
4	50712-KTP-900	BAR, L. P. STEP	1
5	50715-KE8-000	PLATE, P. STEP SIDE	2
6	50715-KTP-900	RUBBER, L.P. STEP	1
7	64310-AAL-000	PANEL FLOOR	1
8	64320-AAL-000R	COVER R FLOOR SIDE(LPM,P-50M)	1
	64320-AAL-000S	COVER R FLOOR SIDE(VOR,YR-250)	1
	64320-AAL-000T	COVER R FLOOR SIDE(FBM,B-185M)	1
	64320-AAL-000U	COVER R FLOOR SIDE(LGM,GY-141M)	1
	64320-AAL-000V	COVER R FLOOR SIDE(CBR,R-195C (TYPE-1))	1
	64320-AAL-000W	COVER R FLOOR SIDE(FSM,NH-411M)	1
	64320-AAL-000X	COVER R FLOOR SIDE(PFW,NH-341P)	1
	64320-AAL-000Z	COVER R FLOOR SIDE(BLK,NH-1)	1
9	64330-AAL-000R	COVER L FLOOR SIDE(LPM,P-50M)	1
	64330-AAL-000S	COVER L FLOOR SIDE(VOR,YR-250)	1
	64330-AAL-000T	COVER L FLOOR SIDE(FBM,B-185M)	1
	64330-AAL-000U	COVER L FLOOR SIDE(LGM,GY-141M)	1
	64330-AAL-000V	COVER L FLOOR SIDE(CBR,R-195C (TYPE-1))	1

F-7 : FLOOR PANEL

	64330-AAL-000W	COVER L FLOOR SIDE(FSM,NH-411M)	1
	64330-AAL-000X	COVER L FLOOR SIDE(PFW,NH-341P)	1
	64330-AAL-000Z	COVER L FLOOR SIDE(BLK,NH-1)	1
10	83551-GE2-000	GROMMET, AIR CLENER CASE	2
	83551-GE2-000	GROMMET, AIR CLENER CASE	2
11	90111-KPL-900	BOLT, INNER COVER	2
	90111-KPL-900	BOLT, INNER COVER	2
12	90116-KTP-900	SCREW WASH 5X16	2
13	90117-KTP-900	BOLT, WASHER, BF 6 X 25	4
14	90677-KAN-961	NUT CLIP 5MM	4
15	93404-06012-00	BOLT, WASHER, 6 X 12	4
	93404-06012-00	BOLT, WASHER, 6 X 12	4
16	94101-06000	WASHER, PLAIN, 6 MM	2
	94101-06000	WASHER, PLAIN, 6 MM	2
17	94201-16150	PIN, SPLIT, 1.6 X 15	2
	94201-16150	PIN, SPLIT, 1.6 X 15	2
18	95015-81000	PIN A PILLION STEP	2

F-8 : BODY COVER



F-8 : BODY COVER

Group Number: F-8 **Model ::** Pleasure (May, 2016)

Ref No.	Part Number	Description	Req.
1	75581-673-000	SET SPRING, LOCK KEY	1
	75581-673-000	SET SPRING, LOCK KEY	1
2	80151-KTP-900	COVER, CENTER.	1
3	83450-AAL-000R	SET, R BODY COVER(LPM,P-50M)	1
	83450-AAL-000S	SET, R BODY COVER(VOR,YR-250)	1
	83450-AAL-000T	SET, R BODY COVER(FBM,B-185M)	1
	83450-AAL-000U	SET, R BODY COVER(LGM,GY-141M)	1
	83450-AAL-000V	SET, R BODY COVER(CBR,R-195C (TYPE-1))	1
	83450-AAL-000W	SET, R BODY COVER(FSM,NH-411M)	1
	83450-AAL-000X	SET, R BODY COVER(PFW,NH-341P)	1
	83450-AAL-000Z	SET, R BODY COVER(BLK,NH-1)	1
4	83508-KPL-900	HOOK, LUGGAGE	1
5	83550-AAL-000R	SET, L BODY COVER(LPM,P-50M)	1
	83550-AAL-000S	SET, L BODY COVER(VOR,YR-250)	1
	83550-AAL-000T	SET, L BODY COVER(FBM,B-185M)	1
	83550-AAL-000U	SET, L BODY COVER(LGM,GY-141M)	1
	83550-AAL-000V	SET, L BODY COVER(CBR,R-195C (TYPE-1))	1
	83550-AAL-000W	SET, L BODY COVER(FSM,NH-411M)	1
	83550-AAL-000X	SET, L BODY COVER(PFW,NH-341P)	1
	83550-AAL-000Z	SET, L BODY COVER(BLK,NH-1)	1

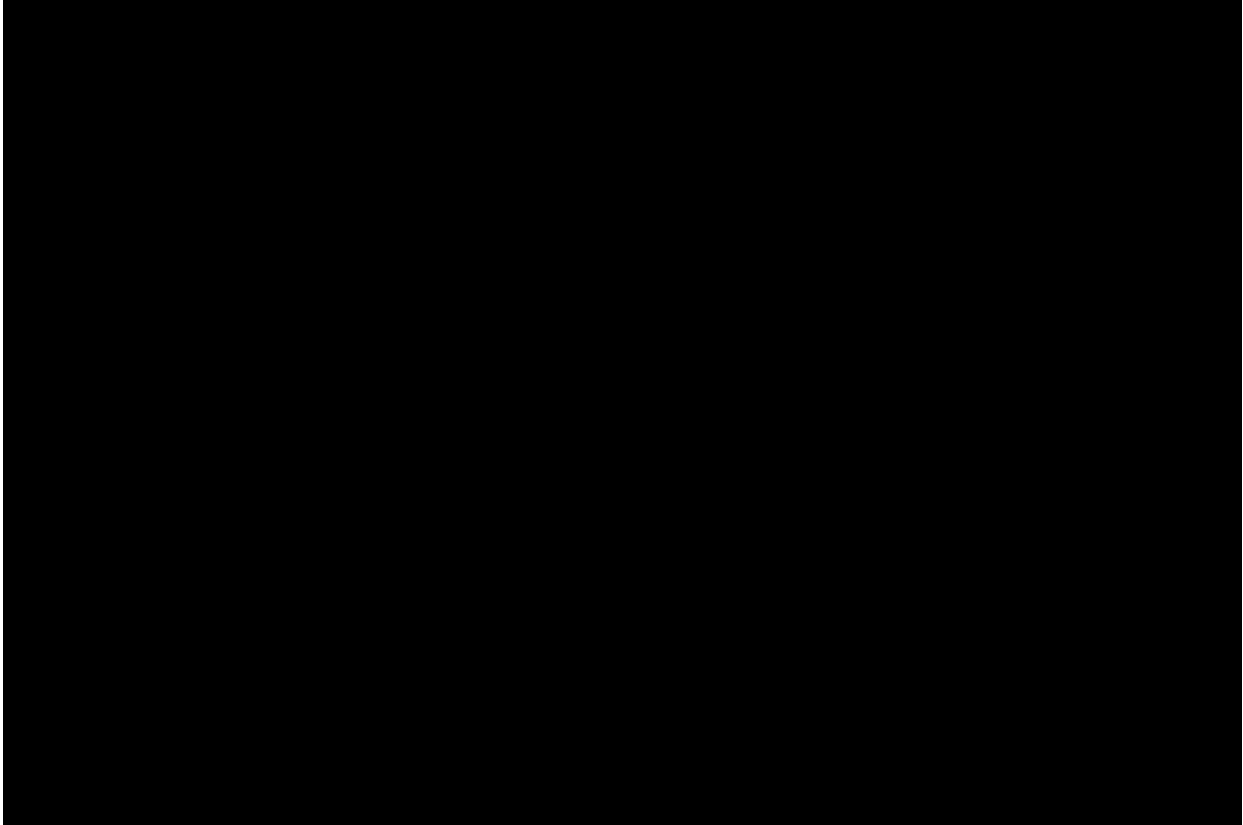
F-8 : BODY COVER

6	83701-AAL-000R	COVER RR CENTER(LPM,P-50M)	1
	83701-AAL-000S	COVER RR CENTER(VOR,YR-250)	1
	83701-AAL-000T	COVER RR CENTER(FBM,B-185M)	1
	83701-AAL-000U	COVER RR CENTER(LGM,GY-141M)	1
	83701-AAL-000V	COVER RR CENTER(CBR,R-195C (TYPE-1))	1
	83701-AAL-000W	COVER RR CENTER(FSM,NH-411M)	1
	83701-AAL-000X	COVER RR CENTER(PFW,NH-341P)	1
	83701-AAL-000Z	COVER RR CENTER(BLK,NH-1)	1
7	83702-AAL-000R	COVER RR CENTER LOWER(LPM,P-50M)	1
	83702-AAL-000S	COVER RR CENTER LOWER(VOR,YR-250)	1
	83702-AAL-000T	COVER RR CENTER LOWER(FBM,B-185M)	1
	83702-AAL-000U	COVER RR CENTER LOWER(LGM,GY-141M)	1
	83702-AAL-000V	COVER RR CENTER LOWER(CBR,R-195C (TYPE-1))	1
	83702-AAL-000W	COVER RR CENTER LOWER(FSM,NH-411M)	1
	83702-AAL-000X	COVER RR CENTER LOWER(PFW,NH-341P)	1
	83702-AAL-000Z	COVER RR CENTER LOWER(BLK,NH-1)	1
8	90109-SB6-000	SCREW, TRUSS, 5X14	2
	90109-SB6-000	SCREW, TRUSS, 5X14	2
9	90116-KTP-900	SCREW WASH 5X16	6
10	90677-KAN-961	NUT CLIP 5MM	4
11	90683-GAZ-930	CLIP TRIM	2
12	93600-05016-0G	SCREW FLAT 5X16	2

F-8 : BODY COVER

	93600-05016-0G	SCREW FLAT 5X16	2
13	93903-34420	SCREW TAPPING 4X16	2

F-9 : STRG. STEM/FR. FORK



F-9 : STRG. STEM/FR. FORK

Group Number: F-9 **Model ::** Pleasure (May, 2016)

Ref No.	Part Number	Description	Req.
1	33741-AAN-601	REFLEX REFLECTOR FRONT	2
	33741-AAN-601	REFLEX REFLECTOR FRONT	2
2	50301-KEM-900	RACE, UP STRG., BALL	1
	50301-KEM-900	RACE, UP STRG., BALL	1
3	50302-KPL-900	RACE, STRG., BOTTOM BALL	1
	50302-KPL-900	RACE, STRG., BOTTOM BALL	1
4	50306-KPL-900	NUT, STRG. STEM, LOCK	1
	50306-KPL-900	NUT, STRG. STEM, LOCK	1
5	51103-AAL-000	COVER PIVOT ARM R	1
6	51104-AAL-000	COVER PIVOT ARM L	1
7	51105-AAL-000	FORK COMP FRONT	1
8	51314-KPL-900	BUSH, PIVOT ARM	4
9	51315-AAL-002	PIVOT ARM, SET, R	1
10	51316-KPL-900	CAP, FR. DISTANCE COLLAR	4
11	51334-KPL-900	COLLAR, ARM, PIVOT	2
12	51400-KRP-982	CUSHION ASSY., R. FR	1
13	51401-KRP-981	SPRING,FR., CUSHION	2
14	51410-KRP-981	DAMPER COMP., R FRONT	1
15	51413-GC8-003	BUSH, FR. CUSHION UNDER	4
16	51414-GC8-003	METAL,COMP., BOTTOM	2

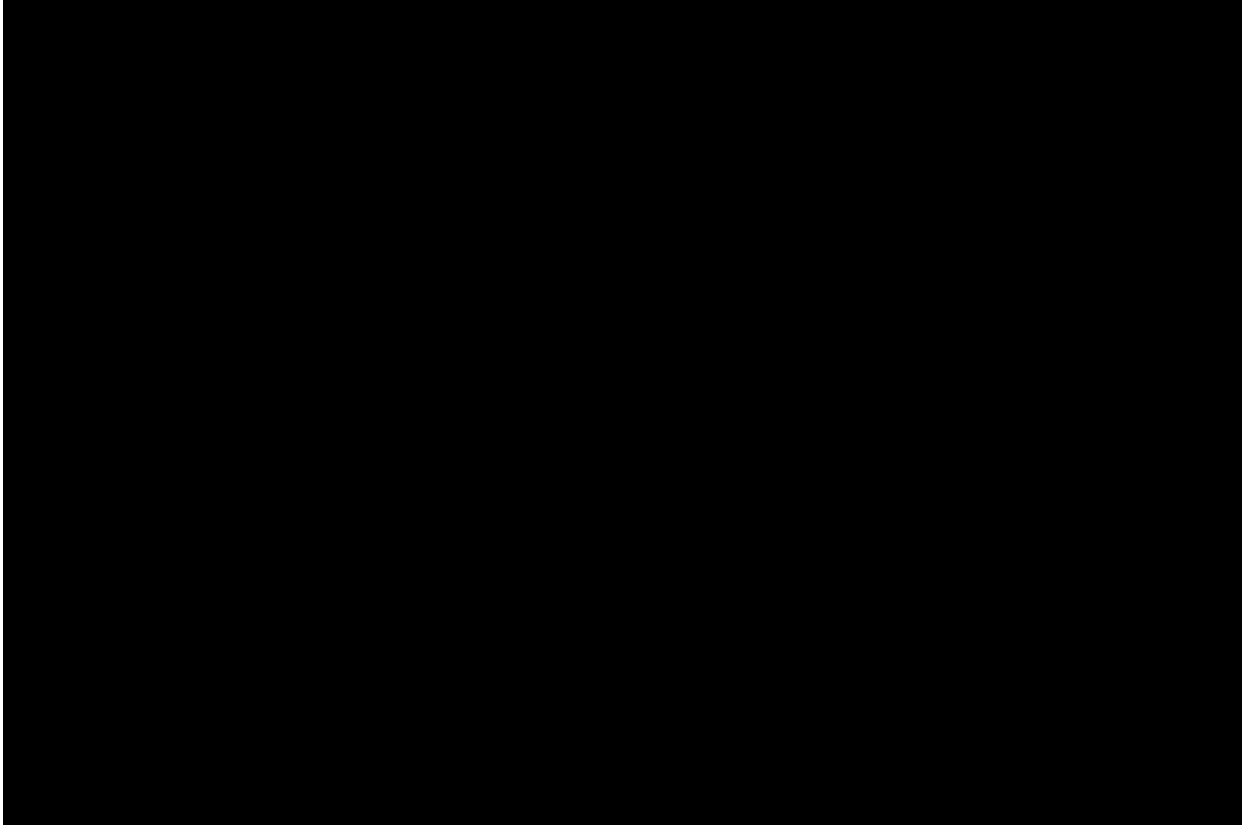
F-9 : STRG. STEM/FR. FORK

17	51415-AAL-002	PIVOT ARM, SET, L	1
18	51421-KRP-981	CASE, FR. CUSHION, UNDER	2
19	51458-GC8-003	GUIDE, FR. CUSHION, SPRING	2
20	51486-GC8-003	COLLAR, RUBBER, BUSH	2
21	51486-KRP-981	COLLAR, FR. CUSHION, RUBBER BUSH	2
22	91351-KPL-900	O-RING, 22.1 X 1.9	2
23	51500-KRP-982	CUSHION ASSY., L. FR	1
24	51510-KRP-981	DAMPER, COMP., L. FR	1
25	51516-GC8-003	SEAT, SPRING, UNDER	2
26	52475-KRP-981	RUBBER, STOPPER	2
27	52489-331-003	RUBBER, A JOINT	2
28	53210-KTP-900	BALL, ASSY, STRG.	1
	53210-KTP-900	BALL, ASSY, STRG.	1
29	53211-KEM-900	RACE, STRG. TOP CONE	1
	53211-KEM-900	RACE, STRG. TOP CONE	1
30	53212-250-010	RACE, STRG. BOTTOM CONE	1
	53212-250-010	RACE, STRG. BOTTOM CONE	1
31	53214-250-000	DUST, SEAL STRG. (HEAD)	1
	53214-250-000	DUST, SEAL STRG. (HEAD)	1
32	53215-KPL-900	WASHER, STRG. HEAD DUST SEAL	1
	53215-KPL-900	WASHER, STRG. HEAD DUST SEAL	1
33	53215-KTP-900	BALL ASSY, STRG.	1

F-9 : STRG. STEM/FR. FORK

	53215-KTP-900	BALL ASSY, STRG.	1
34	90101-087-720	SCREW, HEAD LIGHT SET	2
35	90121-KTP-900	BOLT, HEX, 8 X 32	2
36	90309-KF0-000	NUT, FLANGE, 8 MM	2
37	90443-KPL-900	WASHER,SPECIAL, 8MM	2
38	90901-KPL-900	NIPPLE, GREASE, A-M6	2
39	95801-08055-08	BOLT, FLANGE, 8 X 55	2
40	96211-05000	BALL, STEEL #5	22
41	96211-08000	BALL STEEL 8 MM	17
	96211-08000	BALL STEEL 8 MM	17
42	94001-08000-0S	NUT, HEX., 8 MM	2
	94001-08000-0S	NUT, HEX., 8 MM	2

F-10-VX : FRONT WHEEL



F-10-VX : FRONT WHEEL

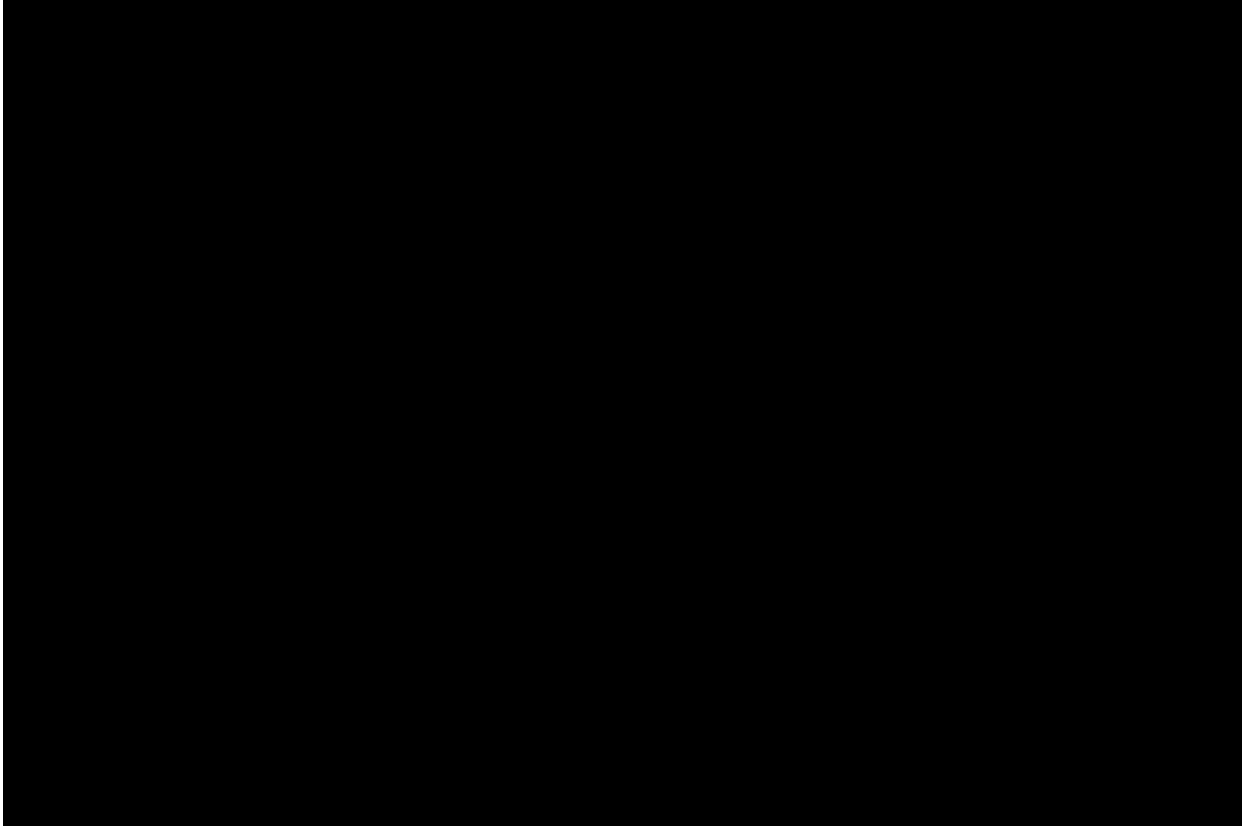
Group Number: F-10-VX Model :: Pleasure (May, 2016)

Ref No.	Part Number	Description	Req.
1	42711-AAL-00099	TYRE	1
	42711-AAL-00099	TYRE	1
2	42753-AAL-001	RIM, VALVE	1
3	45125-AAH-F0099	SHOE COMP BRAKE	2
4	44301-KPL-900	AXLE, FRONT WHEEL	1
5	44311-KPL-900	COLLAR, FR. WHEEL SIDE	1
	44311-KPL-900	COLLAR, FR. WHEEL SIDE	1
6	44601-AAL-010	WHEEL COMP FRONT	1
7	44620-KTP-900	COLLAR, FR. WHEEL DISTANCE	1
8	44805-KTP-900	PINION, SPDMT	1
9	44809-170-000	WASHER, SPEEDOMETER GEAR	1
	44809-170-000	WASHER, SPEEDOMETER GEAR	1
10	44810-KTC-900	BUSH, PINION	1
	44810-KTC-900	BUSH, PINION	1
11	44811-KPL-900	GEAR, SPDMT	1
12	45010-AAL-010	PANEL SUB COMP. FR BRAKE	1
13	45141-AAL-100	CAM FR. BRAKE	1
14	45133-KCC-900	SPRING, FR. BRAKE SHOE	2
	45133-KCC-900	SPRING, FR. BRAKE SHOE	2
15	45134-250-000	DUST SEAL, BRAKE CAM	1

F-10-VX : FRONT WHEEL

	45134-250-000	DUST SEAL, BRAKE CAM	1
16	45145-KPL-900	INDICATOR, FRONT BRAKE	1
17	45410-AAL-100	ARM FR. BRAKE	1
18	45435-GB2-720	SPRING, BRAKE ARM RETURN	1
	45435-GB2-720	SPRING, BRAKE ARM RETURN	1
19	90110-KPL-900	BOLT, STUD, 8X22	4
20	90306-KF0-000	NUT, FLANGE, 12 MM	1
	90306-KF0-000	NUT, FLANGE, 12 MM	1
21	90309-KF0-000	NUT, FLANGE, 8 MM	4
22	90754-KPL-900	SEAL, DUST 20 X 32 X 5	1
	90754-KPL-900	SEAL, DUST 20 X 32 X 5	1
23	90912-KPL-900	BEARING BALL RADIAL 6201(U)	2
	90912-KPL-900	BEARING BALL RADIAL 6201(U)	2
24	94050-06000	NUT, FLANGE, 6 MM	1
	94050-06000	NUT, FLANGE, 6 MM	1
25	95701-06032-00	BOLT, FLANGE, 6 X 32	1
26	43455-AAL-100	JOINT BRAKE ARM	2
27	91253-KPL-900	DUST SEAL , 41 X60 X7	1
28	45456-AAL-100	SPRING BRK CABLE END	2
29	45459-AAL-100	NUT BRAKE ADJUSTING	2

F-10A-LX : SHEET METAL



F-10A-LX : SHEET METAL

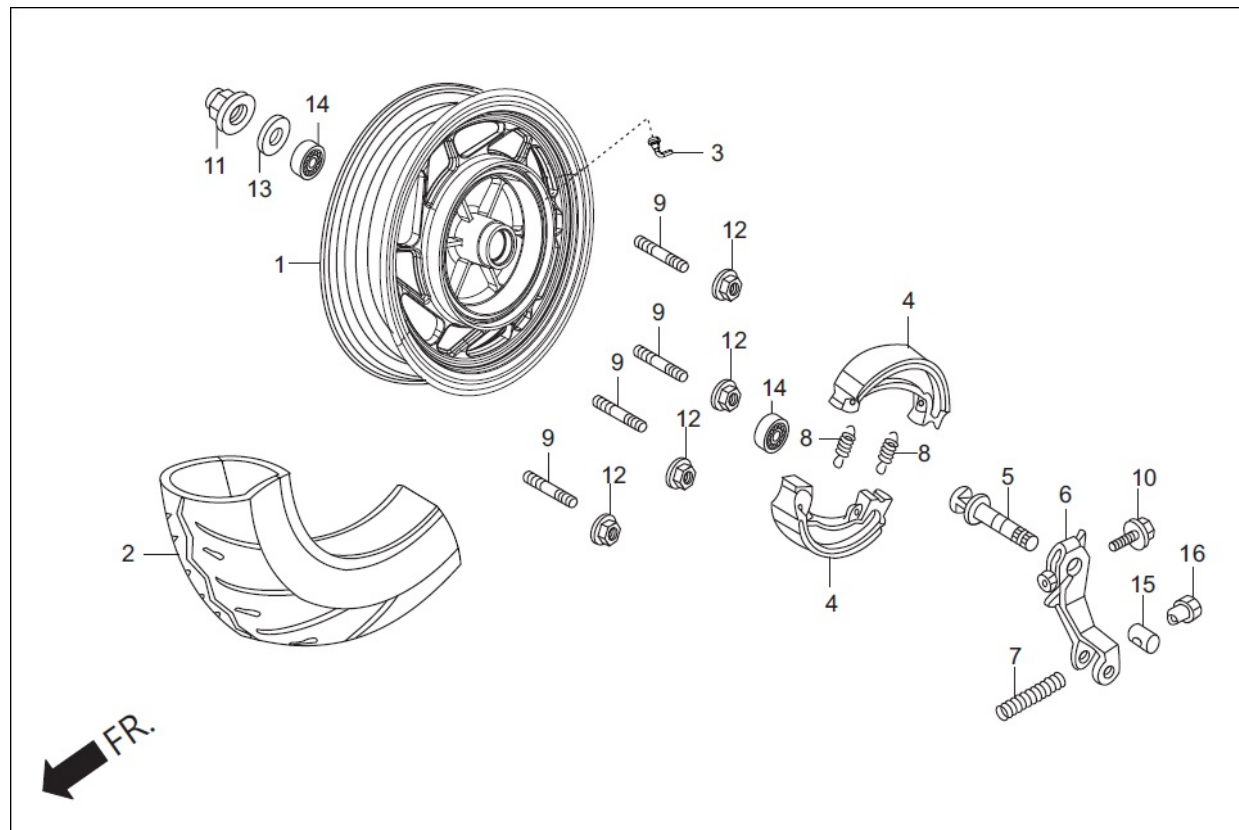
Group Number: F-10A-LX Model :: Pleasure (May, 2016)

Ref No.	Part Number	Description	Req.
1	42711-AAL-00099	TYRE	1
	42711-AAL-00099	TYRE	1
2	45125-AAH-F0099	SHOE COMP BRAKE	2
3	44301-KPL-900	AXLE, FRONT WHEEL	1
4	44311-KPL-900	COLLAR, FR. WHEEL SIDE	1
	44311-KPL-900	COLLAR, FR. WHEEL SIDE	1
5	42702-KPL-900	RIM COMP., WHEEL	1
6	44610-KTP-900	HUB SUB COMP. FR	1
7	44620-KTP-900	COLLAR, FR. WHEEL DISTANCE	1
8	44805-KTP-900	PINION, SPDMT	1
9	44809-170-000	WASHER, SPEEDOMETER GEAR	1
	44809-170-000	WASHER, SPEEDOMETER GEAR	1
10	44810-KTC-900	BUSH, PINION	1
	44810-KTC-900	BUSH, PINION	1
11	44811-KPL-900	GEAR, SPDMT	1
12	45010-AAL-010	PANEL SUB COMP. FR BRAKE	1
13	45141-AAL-100	CAM FR. BRAKE	1
14	45133-KCC-900	SPRING, FR. BRAKE SHOE	2
	45133-KCC-900	SPRING, FR. BRAKE SHOE	2
15	45134-250-000	DUST SEAL, BRAKE CAM	1

F-10A-LX : SHEET METAL

	45134-250-000	DUST SEAL, BRAKE CAM	1
16	45145-KPL-900	INDICATOR, FRONT BRAKE	1
17	45410-AAL-100	ARM FR. BRAKE	1
18	45435-GB2-720	SPRING, BRAKE ARM RETURN	1
	45435-GB2-720	SPRING, BRAKE ARM RETURN	1
19	90110-KPL-900	BOLT, STUD, 8X22	4
20	90306-KF0-000	NUT, FLANGE, 12 MM	1
	90306-KF0-000	NUT, FLANGE, 12 MM	1
21	90309-KF0-000	NUT, FLANGE, 8 MM	4
22	90754-KPL-900	SEAL, DUST 20 X 32 X 5	1
	90754-KPL-900	SEAL, DUST 20 X 32 X 5	1
23	90912-KPL-900	BEARING BALL RADIAL 6201(U)	2
	90912-KPL-900	BEARING BALL RADIAL 6201(U)	2
24	94050-06000	NUT, FLANGE, 6 MM	1
	94050-06000	NUT, FLANGE, 6 MM	1
25	95015-32001	JOINT B BRAKE ARM	1
	95015-32001	JOINT B BRAKE ARM	1
26	95015-42000	NUT B ADJUST	1
	95015-42000	NUT B ADJUST	1
27	95701-06032-00	BOLT, FLANGE, 6 X 32	1
28	42753-AAL-001	RIM, VALVE	1

F-11-VX : REAR WHEEL



F-11-VX : REAR WHEEL

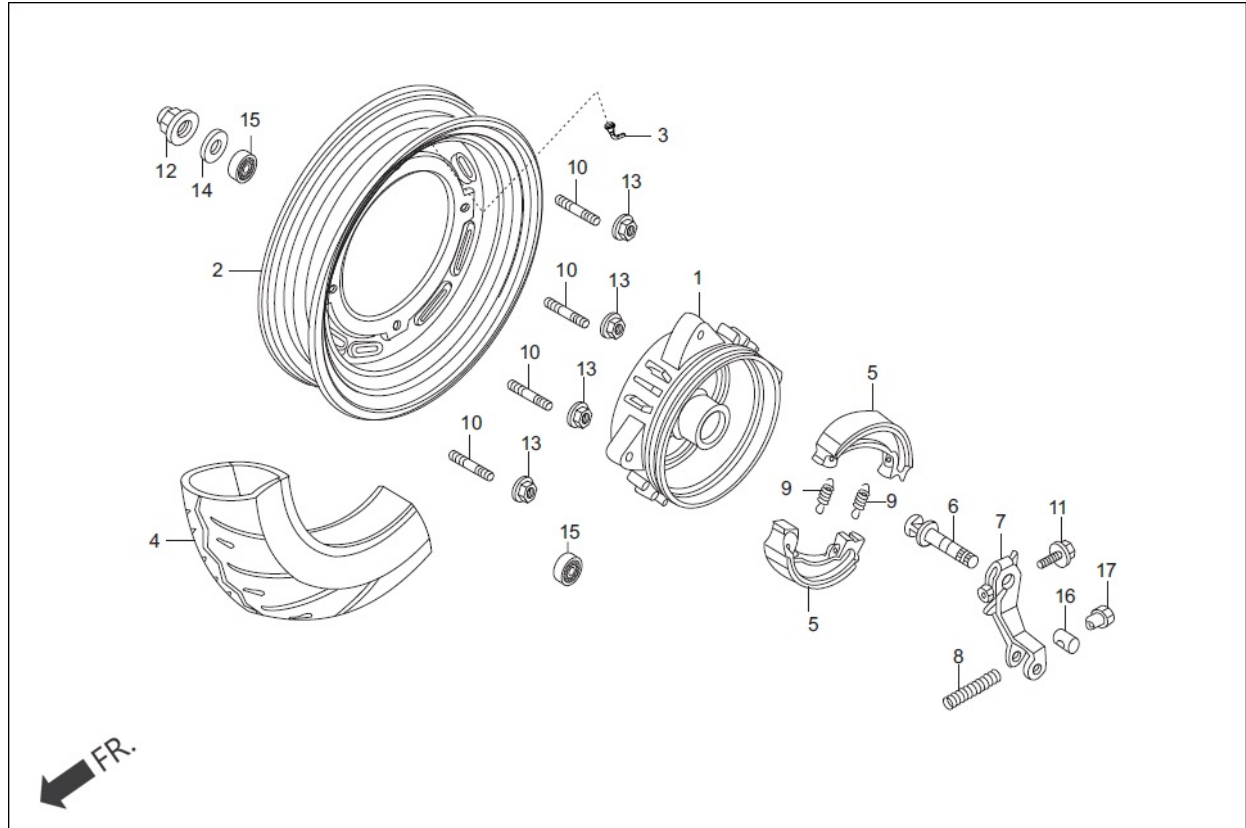
Group Number: F-11-VX Model :: Pleasure (May, 2016)

Ref No.	Part Number	Description	Req.
1	42601-AAL-010	WHEEL COMP REAR	1
2	42711-AAL-00099	TYRE	1
	42711-AAL-00099	TYRE	1
3	42753-AAL-001	RIM, VALVE	1
4	45125-AAH-F0099	SHOE COMP BRAKE	2
5	43141-AAL-100	CAM REAR BRAKE	1
6	43410-AAL-100	ARM REAR BRAKE	1
7	43472-KPL-900	SPRING, REAR, BRAKE ARM	1
	43472-KPL-900	SPRING, REAR, BRAKE ARM	1
8	45133-KCC-900	SPRING, FR. BRAKE SHOE	2
	45133-KCC-900	SPRING, FR. BRAKE SHOE	2
9	90110-KPL-900	BOLT, STUD, 8X22	4
10	90112-KTP-900	BOLT, FLANGE, 6X32	1
	90112-KTP-900	BOLT, FLANGE, 6X32	1
11	90305-KPL-900	NUT, HEX, SPL., 16MM	1
	90305-KPL-900	NUT, HEX, SPL., 16MM	1
12	90309-KF0-000	NUT, FLANGE, 8 MM	4
13	90501-KPL-900	WASHER, 16 MM	1
	90501-KPL-900	WASHER, 16 MM	1
14	90912-KPL-900	BEARING BALL RADIAL 6201(U)	2

F-11-VX : REAR WHEEL

	90912-KPL-900	BEARING BALL RADIAL 6201(U)	2
15	95015-32001	JOINT B BRAKE ARM	1
	95015-32001	JOINT B BRAKE ARM	1
16	95015-42000	NUT B ADJUST	1
	95015-42000	NUT B ADJUST	1

F-11A-LX : SHEET METAL



F-11A-LX : SHEET METAL

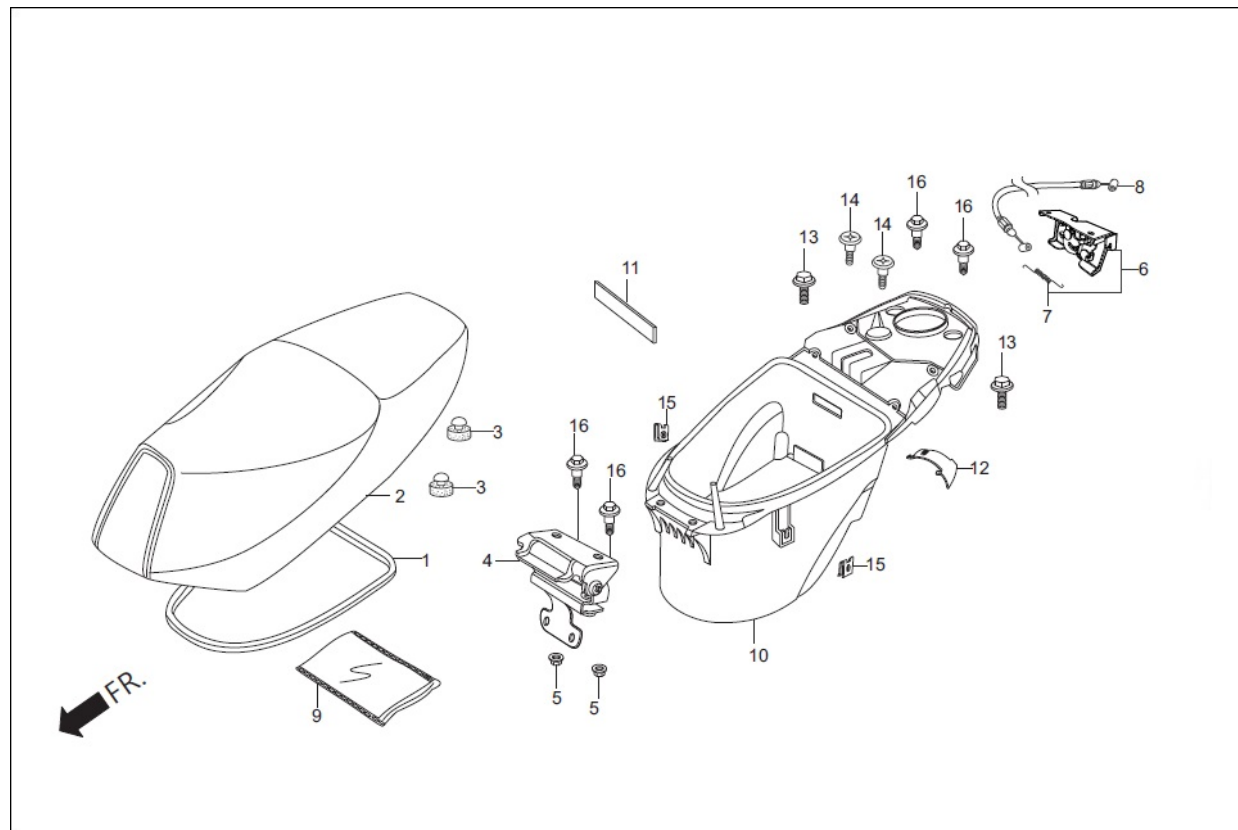
Group Number: F-11A-LX **Model ::** Pleasure (May, 2016)

Ref No.	Part Number	Description	Req.
1	42610-KPL-900	HUB SUB COMP. RR	1
2	42702-KPL-900	RIM COMP., WHEEL	1
3	42753-AAL-001	RIM, VALVE	1
4	42711-AAL-00099	TYRE	1
	42711-AAL-00099	TYRE	1
5	45125-AAH-F0099	SHOE COMP BRAKE	2
6	43141-AAL-100	CAM REAR BRAKE	1
7	43410-AAL-100	ARM REAR BRAKE	1
8	43472-KPL-900	SPRING, REAR, BRAKE ARM	1
	43472-KPL-900	SPRING, REAR, BRAKE ARM	1
9	45133-KCC-900	SPRING, FR. BRAKE SHOE	2
	45133-KCC-900	SPRING, FR. BRAKE SHOE	2
10	90110-KPL-900	BOLT, STUD, 8X22	4
11	90112-KTP-900	BOLT, FLANGE, 6X32	1
	90112-KTP-900	BOLT, FLANGE, 6X32	1
12	90305-KPL-900	NUT, HEX, SPL., 16MM	1
	90305-KPL-900	NUT, HEX, SPL., 16MM	1
13	90309-KF0-000	NUT, FLANGE, 8 MM	4
14	90501-KPL-900	WASHER, 16 MM	1
	90501-KPL-900	WASHER, 16 MM	1

F-11A-LX : SHEET METAL

15	90912-KPL-900	BEARING BALL RADIAL 6201(U)	2
	90912-KPL-900	BEARING BALL RADIAL 6201(U)	2
16	95015-32001	JOINT B BRAKE ARM	1
	95015-32001	JOINT B BRAKE ARM	1
17	95015-42000	NUT B ADJUST	1
	95015-42000	NUT B ADJUST	1

F-12 : SEAT / LUGGAGE BOX



F-12 : SEAT / LUGGAGE BOX

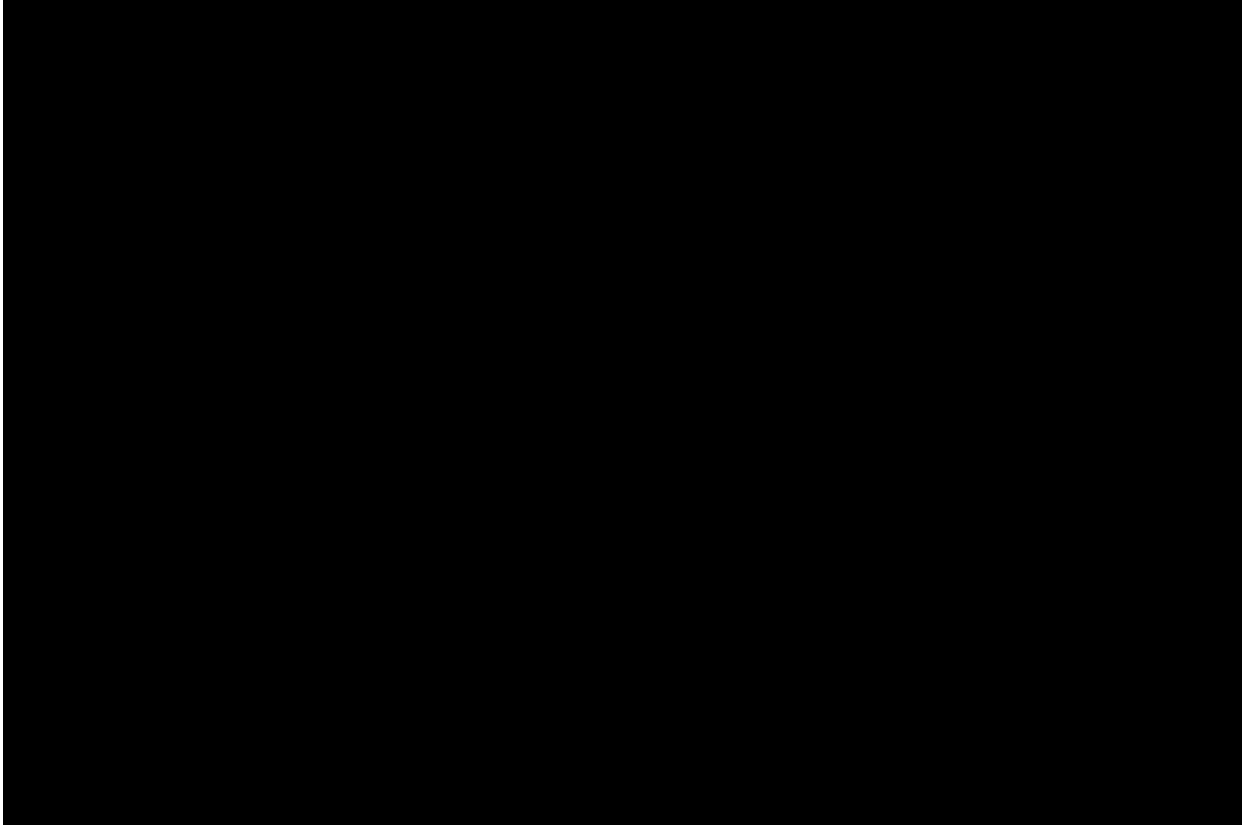
Group Number: F-12 **Model ::** Pleasure (May, 2016)

Ref No.	Part Number	Description	Req.
1	77115-KTP-900	RUBBER SEAL	1
2	77200-AAL-H00	SEAT COMP DOUBLE	1
3	77206-KG8-900	RUBBER, SEAT SETTING	2
	77206-KG8-900	RUBBER, SEAT SETTING	2
4	77210-KTP-900	HINGE ASSY, SEAT	1
5	94050-06000	NUT, FLANGE, 6 MM	2
	94050-06000	NUT, FLANGE, 6 MM	2
6	77235-AAL-000	SEAT CATCH COMP	1
7	77236-GBL-000	SPRING SEAT CATCH	1
	77236-GBL-000	SPRING SEAT CATCH	1
8	77240-AAL-000	CABLE SEAT CATCH	1
9	77251-KPL-900	BAG, SERVICE BOOK	1
10	81250-KTP-900	BOX LUGGAGE	1
11	81252-KTP-900	COVER , FRAME NUMBER	1
12	81255-KTP-900	COVER, CARBURETTOR MAITENANCE	1
13	90112-KRP-900	BOLT, FLANGE, 6X18	2
	90112-KRP-900	BOLT, FLANGE, 6X18	2
14	90116-KTP-900	SCREW WASH 5X16	2
15	90677-KAN-961	NUT CLIP 5MM	2
16	93404-06012-00	BOLT, WASHER, 6 X 12	4

F-12 : SEAT / LUGGAGE BOX

93404-06012-00	BOLT, WASHER, 6 X 12	4
----------------	----------------------	---

F-13 : FUEL TANK

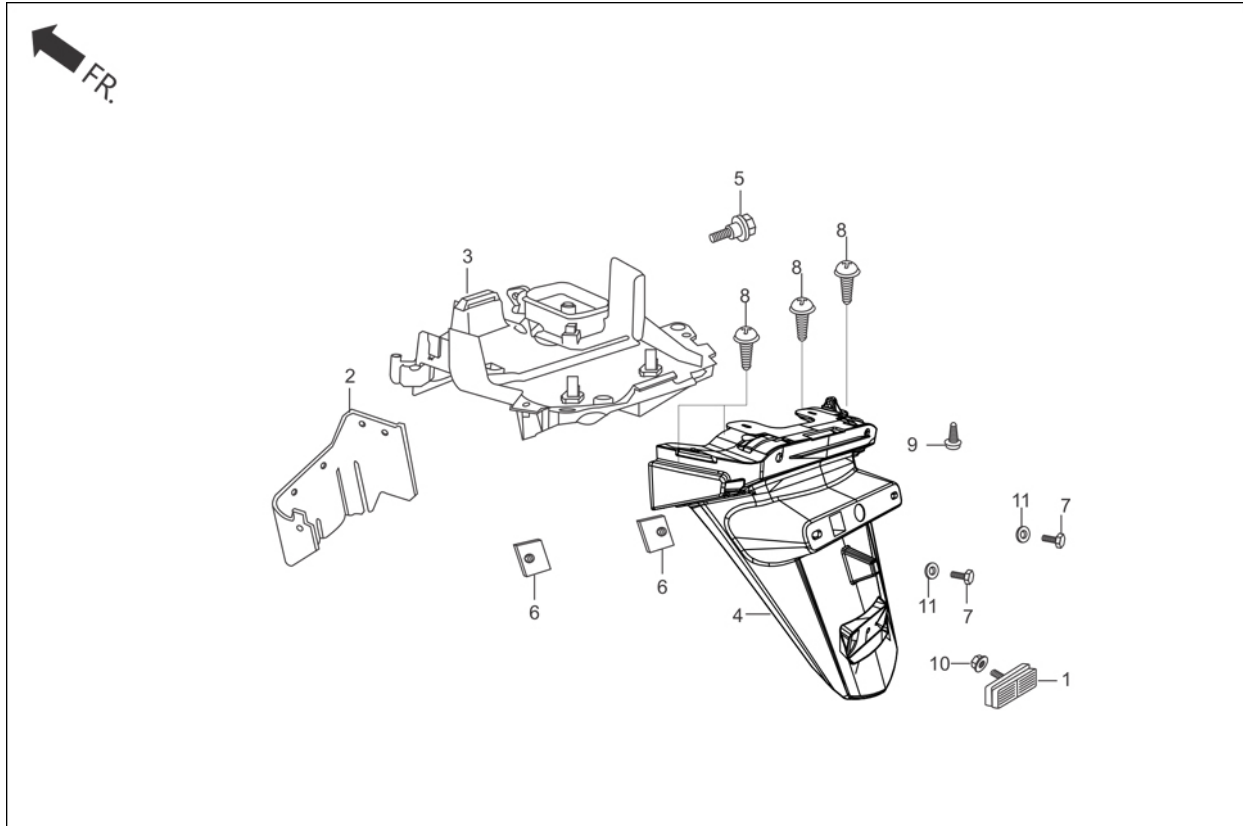


F-13 : FUEL TANK

Group Number: F-13 Model :: Pleasure (May, 2016)

Ref No.	Part Number	Description	Req.
1	16950-KRP-981	COCK ASSY,FUEL	1
	16950-KRP-981	COCK ASSY,FUEL	1
2	17500-AAL-H00	TANK COMP., FUEL	1
3	17505-KTP-900	TRAY FUEL	1
4	17515-KTP-900	V.TUBE 8X12X460	1
5	17525-KTP-900	JOINT FUEL TUBE	1
6	17620-KRP-980	CAP COMP, FUEL FILLER	1
7	17632-383-831	PACKING , FUEL FILLTER CAP	1
8	17683-KPL-900	TUBE COMP, FUEL	1
9	17684-KPL-840	TUBE COMP, VACUUM	1
10	37800-AAL-301	UNIT ASSY FUEL	1
11	37801-GA7-700	PACKING, BASE	1
	37801-GA7-700	PACKING, BASE	1
12	37802-GA7-700	RETAINER FUEL UNIT	1
	37802-GA7-700	RETAINER FUEL UNIT	1
13	93404-06012-00	BOLT, WASHER, 6 X 12	4
	93404-06012-00	BOLT, WASHER, 6 X 12	4
14	95002-02070	CLIP, B-7 TUBE	2
15	95002-02080	CLIP, TUBE	2

F-14 : REAR FENDER

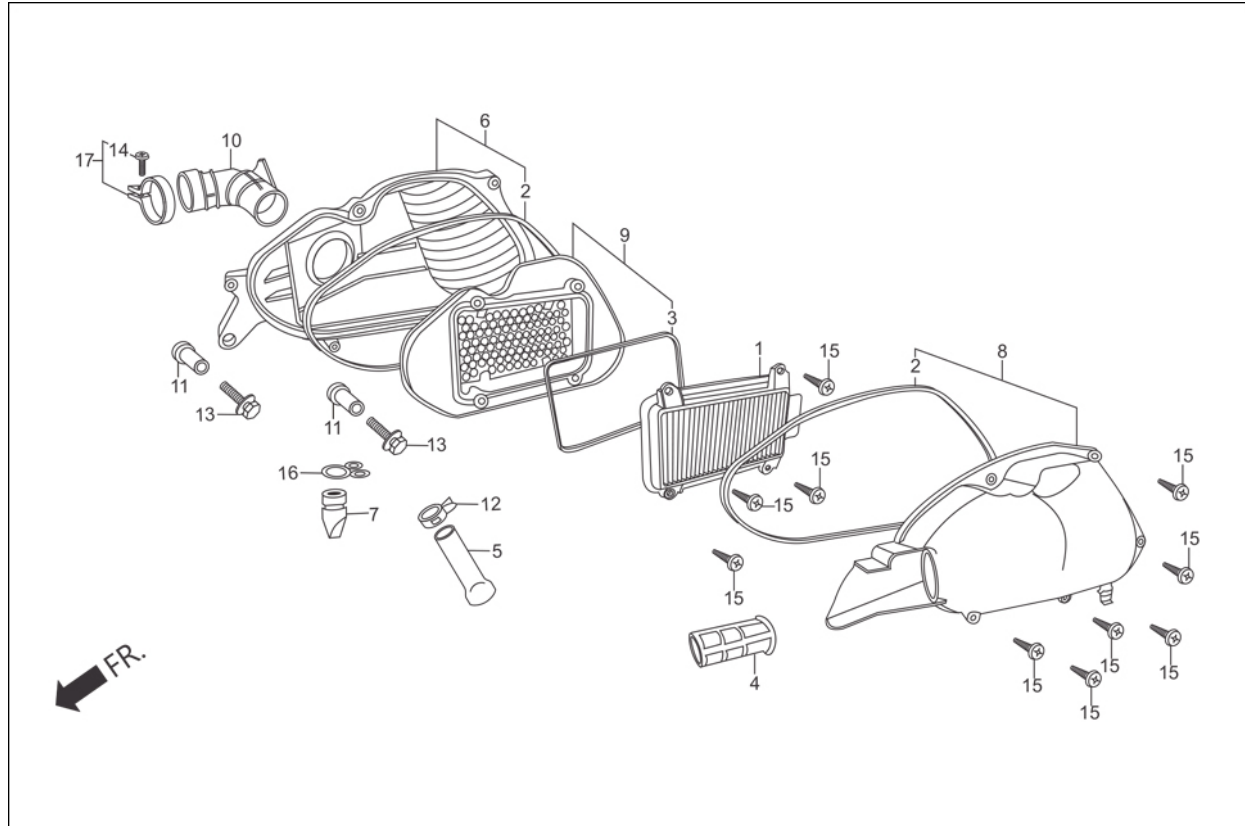


F-14 : REAR FENDER

Group Number: F-14 **Model ::** Pleasure (May, 2016)

Ref No.	Part Number	Description	Req.
1	33741-AAM-101	REFLEX REFLECTOR	1
	33741-AAM-101	REFLEX REFLECTOR	1
2	80104-KTP-900	PLATE, RR. FENDER SP	1
3	80105-AAL-000	FENDER, RR. UPPER	1
4	80106-AAL-000	FENDER RR LOWER	1
5	90111-KPL-900	BOLT, INNER COVER	1
	90111-KPL-900	BOLT, INNER COVER	1
6	90301-KTP-900	NUT, RR. NO. PLATE	2
7	92000-06016-0A	BOLT, HEX., 6 X 16	2
	92000-06016-0A	BOLT, HEX., 6 X 16	2
8	93903-24480	SCREW, TAPPING, 4X16	4
9	93903-25480	SCREW TAPPING 5X20	1
10	94050-06000	NUT, FLANGE, 6 MM	1
	94050-06000	NUT, FLANGE, 6 MM	1
11	94101-06000	WASHER, PLAIN, 6 MM	2
	94101-06000	WASHER, PLAIN, 6 MM	2

F-15 : AIR CLEANER



F-15 : AIR CLEANER

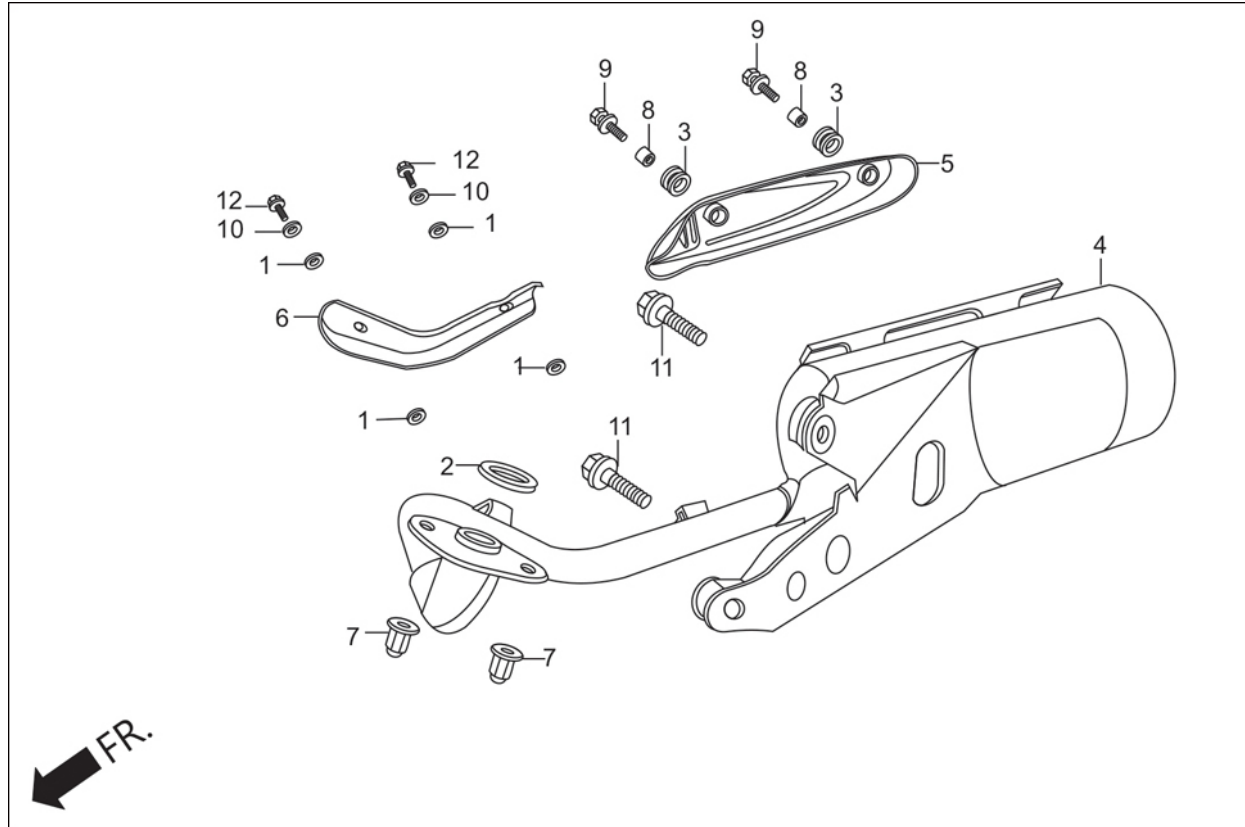
Group Number: F-15 Model :: Pleasure (May, 2016)

Ref No.	Part Number	Description	Req.
1	17210-AAW-300	ELEMENT COMP AIR/C	1
2	17212-KTP-900	SEAL, AIR CLEANER COVER	2
3	17213-KTP-900	SEAL, AIR/C ELEMENT	1
4	17215-KRP-980	DUCT, AIR CLEANER	1
5	17216-KTP-900	TUBE, DRAIN	1
	17216-KTP-900	TUBE, DRAIN	1
6	17225-KTP-900H	CASE SUB ASSY.AIR/C	1
7	17234-KCC-940	TUBE AIR CLEANER DRAIN	1
	17234-KCC-940	TUBE AIR CLEANER DRAIN	1
8	17235-KTP-900H	COVER SUB ASSY.AIR/C	1
9	17245-KTP-900	HOLDER SUB ASSY., AIR/C.	1
10	17253-KTP-900	TUBE AIR/C CONN.	1
11	50731-KV3-770	COLLAR, PILLION STEP SET	2
	50731-KV3-770	COLLAR, PILLION STEP SET	2
12	90602-KPL-900	CLAMP, D12 TUBE	1
13	93404-06040-07	BOLT, WASH, 6 X 40	2
14	93500-04025-0G	SCREW, PAN, 4X25	1
	93500-04025-0G	SCREW, PAN, 4X25	1
15	93903-25480	SCREW TAPPING 5X20	10
16	95002-02130	CLIP B 12.5 TUBE	1

F-15 : AIR CLEANER

17	95018-40250	BAND 46, AIR/C CONN. TUBE	1
----	-------------	---------------------------	---

F-16 : EXHAUST MUFFLER

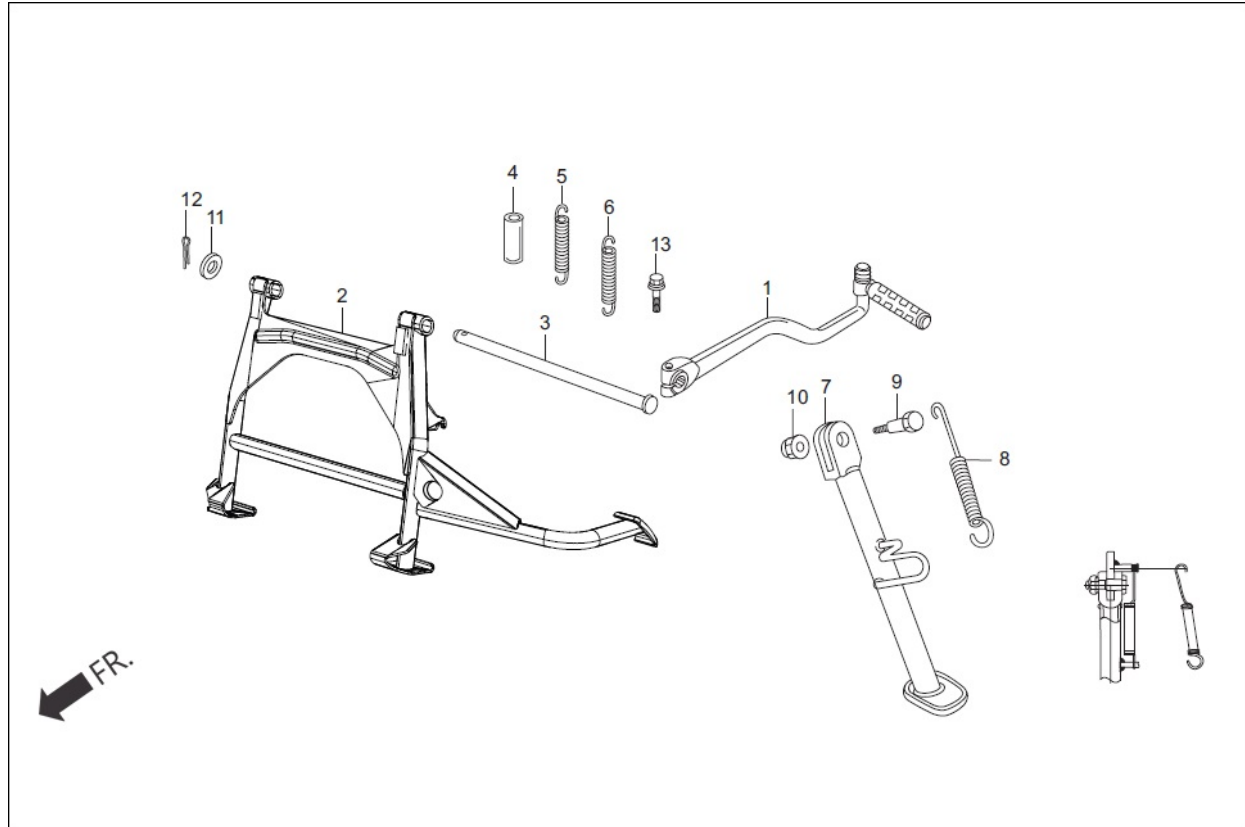


F-16 : EXHAUST MUFFLER

Group Number: F-16 **Model ::** Pleasure (May, 2016)

Ref No.	Part Number	Description	Req.
1	18292-KTP-900	PACKING, PROTECTOR	4
2	18292-GY1-610	GASKET, EXH.PIPE	1
	18292-GY1-610	GASKET, EXH.PIPE	1
3	18293-KTP-900	RUBBER, PKG, PROTECTOR	2
4	18300-AAL-300	MUFFLER COMP EXH	1
5	18318-AAL-000	PROTECTOR MUFFLER	1
6	18319-KRP-900	PROTECTOR, EXE PIPE	1
7	90308-KPL-840	NUT, CAP, 6 MM	2
8	90312-KTP-900	COLLAR, M6	2
9	93404-06016-07	BOLT-WASHER, 6 X 16	2
10	94101-06700	WASHER, PLAIN, 6 MM	2
11	95801-10040-07	BOLT FLANGE, 10 X 40	2
12	96001-06010-07	BOLT FLANGE, SH., 6 X 10	2

F-17 : ARM KICK START/MAIN STAND/STAND SIDE

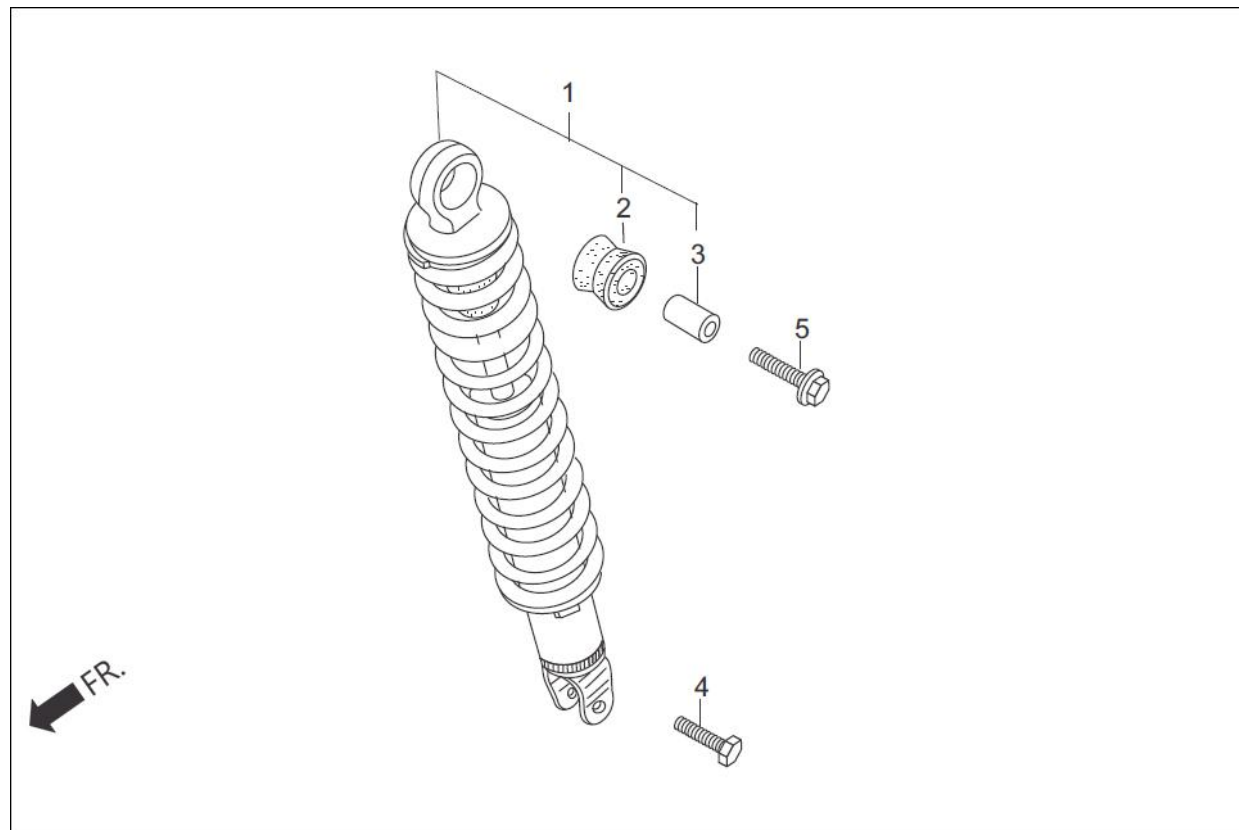


F-17 : ARM KICK START/MAIN STAND/STAND SIDE

Group Number: F-17 **Model ::** Pleasure (May, 2016)

Ref No.	Part Number	Description	Req.
1	28300-KVT-900	ARM ASSY., KICK STARTER	1
2	50500-AAL-400	STAND COMP. MAIN	1
3	50503-GCC-000	SHAFT, MAIN STAND	1
	50503-GCC-000	SHAFT, MAIN STAND	1
4	50507-AAB-400	TUBE MAIN STAND SPRING 1	1
	50507-AAB-400	TUBE MAIN STAND SPRING 1	1
5	50508-AAL-300	SPRING MAIN STAND 1	1
6	50509-AAL-300	SPRING MAIN STAND 2	1
7	50530-KTP-900	BAR. COMP., SIDE STAND	1
8	50536-KPL-900	SPG. SIDE SET	1
	50536-KPL-900	SPG. SIDE SET	1
9	90109-KPL-900	BOLT SIDE STAND PIVOT	1
10	90304-KCS-920	NUT U 10 MM	1
	90304-KCS-920	NUT U 10 MM	1
11	94102-12000	WASHER, PLAIN, 12MM	1
12	94201-25250	PIN, SPLIT, 2.5X25	1
	94201-25250	PIN, SPLIT, 2.5X25	1
13	95701-08025-07	BOLT FLANGE 8X25	1

F-18 : REAR CUSHION

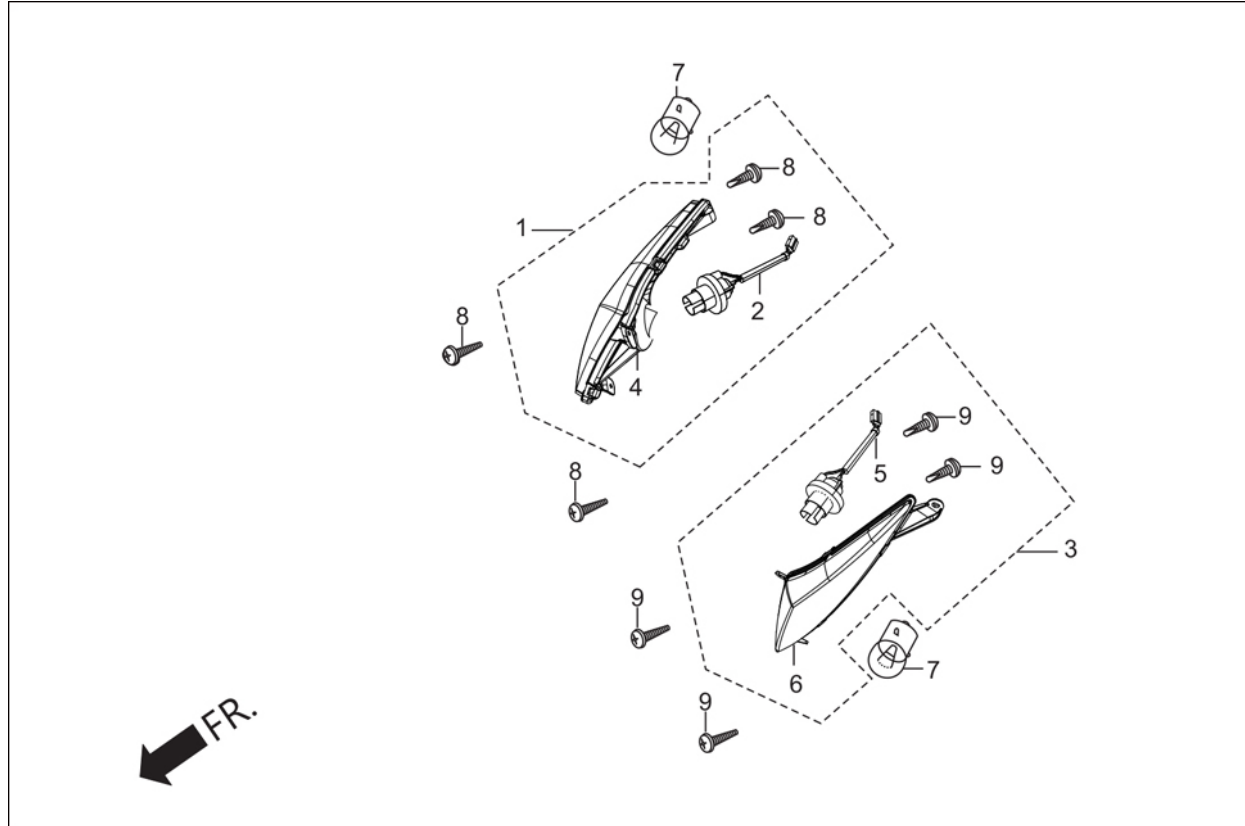


F-18 : REAR CUSHION

Group Number: F-18 **Model ::** Pleasure (May, 2016)

Ref No.	Part Number	Description	Req.
1	52400-KTP-901	CUSHION ASSY. REAR	1
2	52485-088-901	BUSH, RUBBER (UNDER)	1
	52485-088-901	BUSH, RUBBER (UNDER)	1
3	52486-GA7-003	COLLAR, RUBBER BUSH (UNDER)	1
	52486-GA7-003	COLLAR, RUBBER BUSH (UNDER)	1
4	92201-08032-0A	BOLT, FLANGE, 8 X32	1
5	95801-10035-00	BOLT, FLANGE, 10X35	1

F-19 : FRONT WINKER

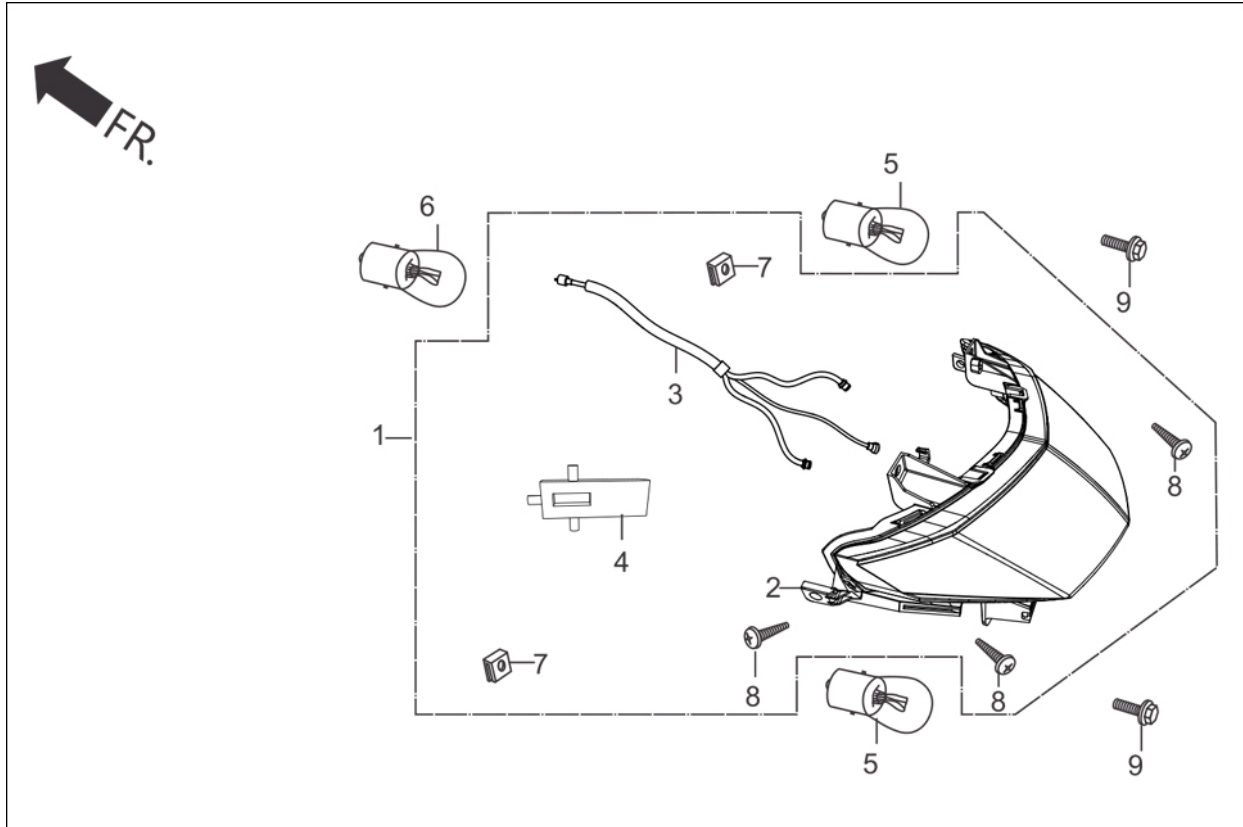


F-19 : FRONT WINKER

Group Number: F-19 **Model ::** Pleasure (May, 2016)

Ref No.	Part Number	Description	Req.
1	3340B-AAL-301	WINKER ASSY R FR(W/O BULB)	1
2	33405-AAL-301	SOCKET COMP,R	1
3	3345B-AAL-301	WINKER ASSY L FR(W/O BULB)	1
4	33410-AAL-001	LENS COMP R	1
5	33455-AAL-301	SOCKET COMP,L	1
6	33460-AAL-001	LENS COMP L	1
7	34908-AAB-401	BULB (12V10W) AMBER E MARK	2
	34908-AAB-401	BULB (12V10W) AMBER E MARK	2
8	93903-24380	SCREW TAPPING, 4 X 12	4
	93903-24380	SCREW TAPPING, 4 X 12	4
9	93903-34420	SCREW TAPPING 4X16	4

F-20 : REAR COMBINATION LIGHT

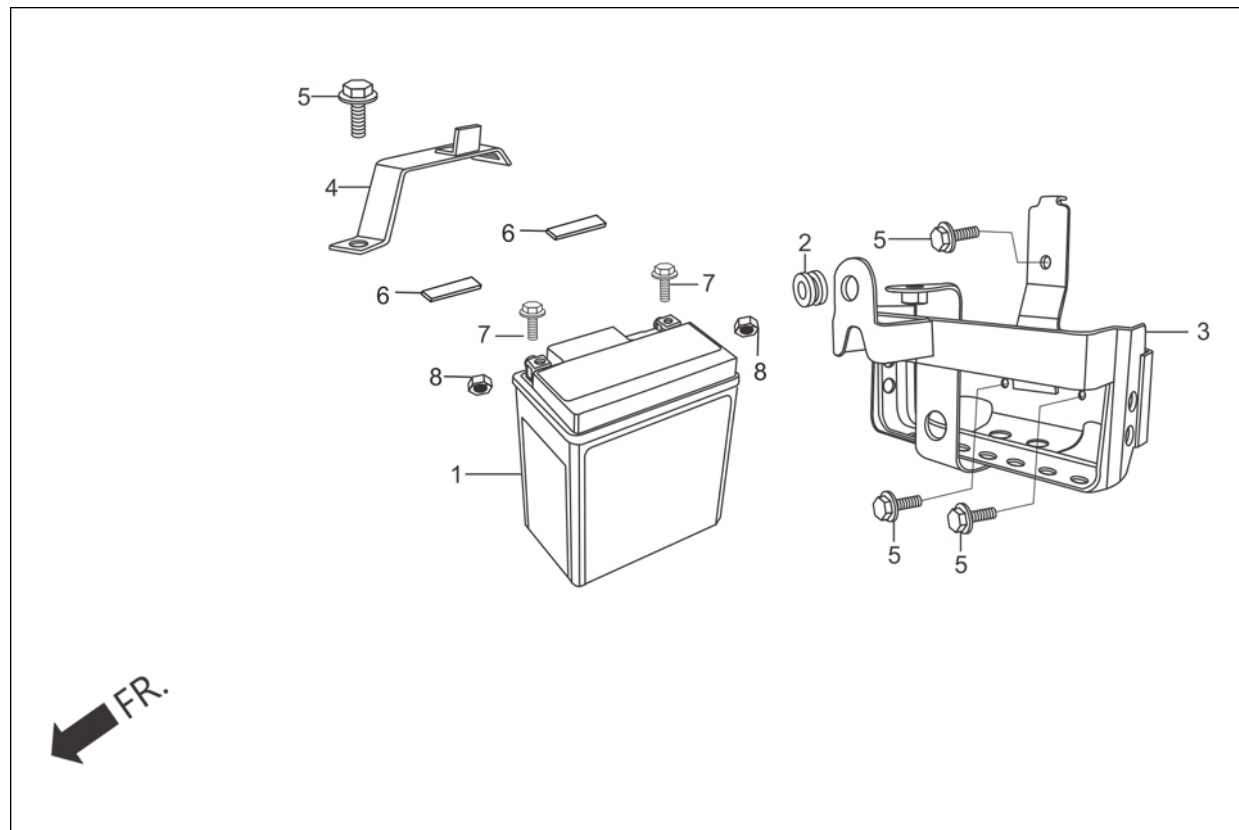


F-20 : REAR COMBINATION LIGHT

Group Number: F-20 **Model ::** Pleasure (May, 2016)

Ref No.	Part Number	Description	Req.
1	3370B-AAL-301	LIGHT ASSY RR COMB	1
2	33710-AAL-001	UNIT RR COMB	1
3	33715-AAL-301	SOCKET COMP.	1
4	37215-AAL-001	P CLAMP	1
5	34908-AAB-401	BULB (12V10W) AMBER E MARK	2
	34908-AAB-401	BULB (12V10W) AMBER E MARK	2
6	34906-AAN-601	BULB TAIL & STOP (12V-21/5W)E-MARK	1
	34906-AAN-601	BULB TAIL & STOP (12V-21/5W)E-MARK	1
7	90677-KAN-961	NUT CLIP 5MM	2
8	93901-22420	SCREW , TAPPING , 3X16	2
9	93404-06012-00	BOLT, WASHER, 6 X 12	1
	93404-06012-00	BOLT, WASHER, 6 X 12	1

F-21 : BATTERY

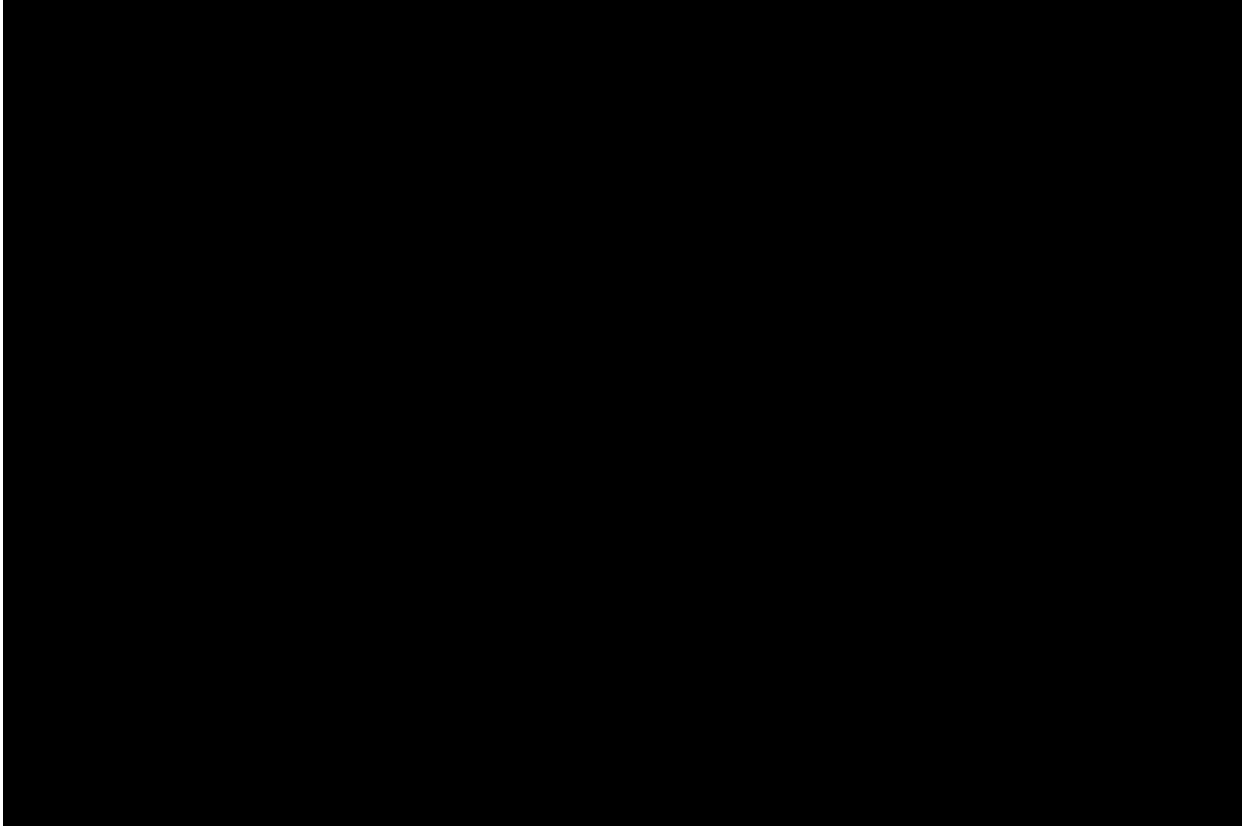


F-21 : BATTERY

Group Number: F-21 **Model ::** Pleasure (May, 2016)

Ref No.	Part Number	Description	Req.
1	31500-KRP-801	BATTERY ASSY	1
	31500-KRP-801	BATTERY ASSY	1
2	33715-965-000	RUBBER, TAIL LIGHT MTG.	1
3	50330-KTP-950	TRAY COMP., BATTERY	1
4	50338-KTP-950	BAND, BATTERY	1
5	95701-06012-00	BOLT, FLANGE, 6X12	4
	95701-06012-00	BOLT, FLANGE, 6X12	4
6	50345-KTP-950	CUSHION BATTERY (COVENTIONAL BATTERY)	1
7	90122-KVT-941	BOLT BATTERY TERMINAL	2
8	90306-KVT-941	NUT BATTERY TERMINAL	2

F-22 : WIRE HARNESS



F-22 : WIRE HARNESS

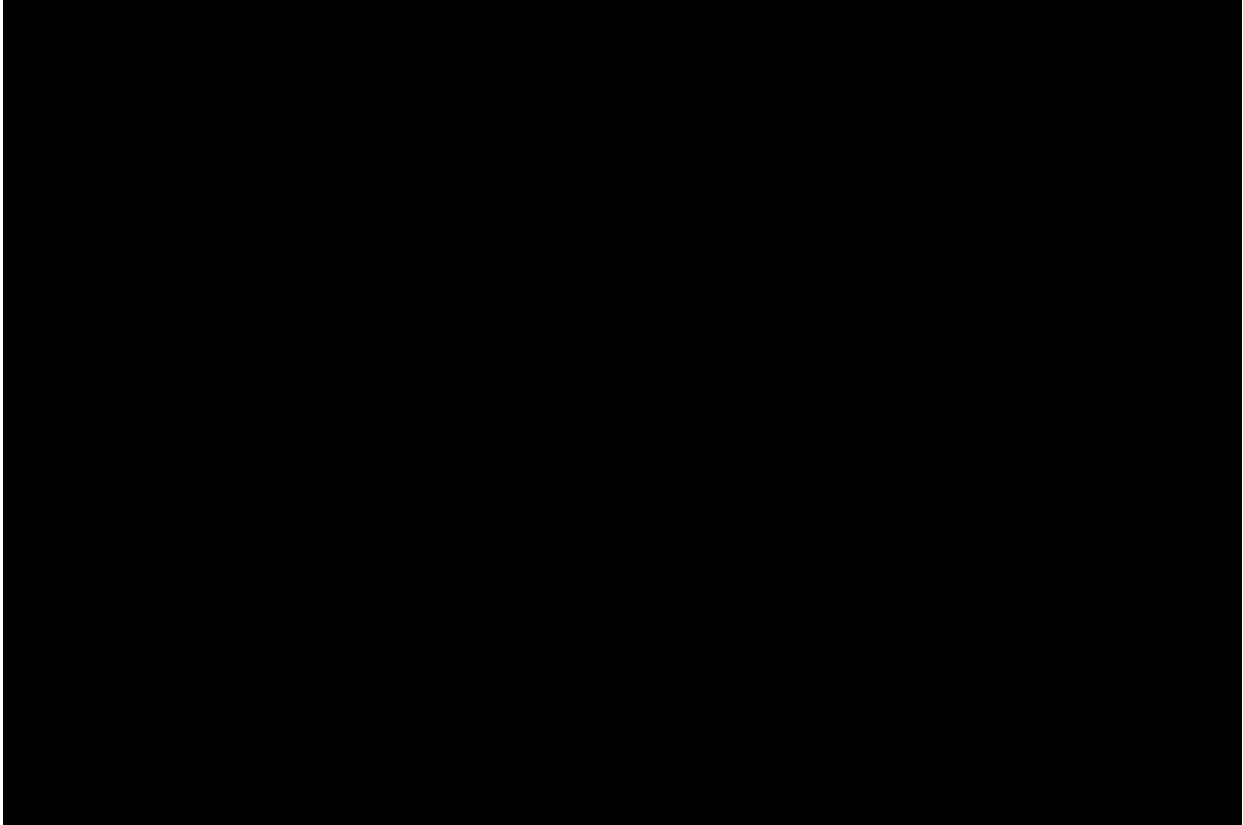
Group Number: F-22 **Model ::** Pleasure (May, 2016)

Ref No.	Part Number	Description	Req.
1	30401-AAL-00099	CUSHION CDI UNIT	1
2	30410-AAL-00099	UNIT COMP CDI	1
3	30510-AAL-00099	COIL COMP. IGNITION	1
4	30700-KTP-951	CAP ASSY., NOISE SUPPRESSOR	1
	30700-KTP-951	CAP ASSY., NOISE SUPPRESSOR	1
5	30604-KTP-890	CAP, CORD WATER PROOF.	1
	30604-KTP-890	CAP, CORD WATER PROOF.	1
6	30605-KTP-951	SEAL, H/T TERMINAL	1
7	31600-KTP-891	REG. RECTIFIER COMP	1
8	32100-AAL-300	HARNESS WIRE	1
9	32108-GW6-700	COVER ,CONNECTOR	1
10	32603-KPL-780	CABLE, ENG-FRM. EARTH	1
	32603-KPL-780	CABLE, ENG-FRM. EARTH	1
11	35010-AAL-000	KEY SET	1
12	35100-AAL-001	SW ASSY COMB & LOCK	1
13	35121-AAL-001	KEY BLANK	1
14	35122-AAL-001	KEY BLANK	1
15	77232-AAL-000	LOCK ASSY INNER BOX	1
16	38110-AAL-301	HORN COMP	1
17	38301-KWH-961	RELAY COMP,WINKER	1

F-22 : WIRE HARNESS

18	38306-GE7-000	SUSPENSION, WINKER RELAY	1
	38306-GE7-000	SUSPENSION, WINKER RELAY	1
19	38501-KTP-890	RELAY COMP., START	1
20	38506-KPL-900	SUSP . START RELAY	1
21	90164-KPL-900	SCREW, FLAT, U LOCK, 6X12	2
22	90662-KPL-901	HARNESS, BAND	2
23	95701-06012-00	BOLT, FLANGE, 6X12	1
	95701-06012-00	BOLT, FLANGE, 6X12	1
24	95701-06016-00	BOLT, FLANGE, 6X16	1
	95701-06016-00	BOLT, FLANGE, 6X16	1
25	96001-06018-00	BOLT, FLANGE, 6 X 18	2
	96001-06018-00	BOLT, FLANGE, 6 X 18	2
26	98200-31000	BLADE, FUSE 10A	1
	98200-31000	BLADE, FUSE 10A	1
27	96001-06030-00	BOLT, FLANGE, SH., 6 X 30	2
	96001-06030-00	BOLT, FLANGE, SH., 6 X 30	2
28	30100-AAL-001	SOCKET ASSY.MOBILE	1

F-23 : FRAME BODY



F-23 : FRAME BODY

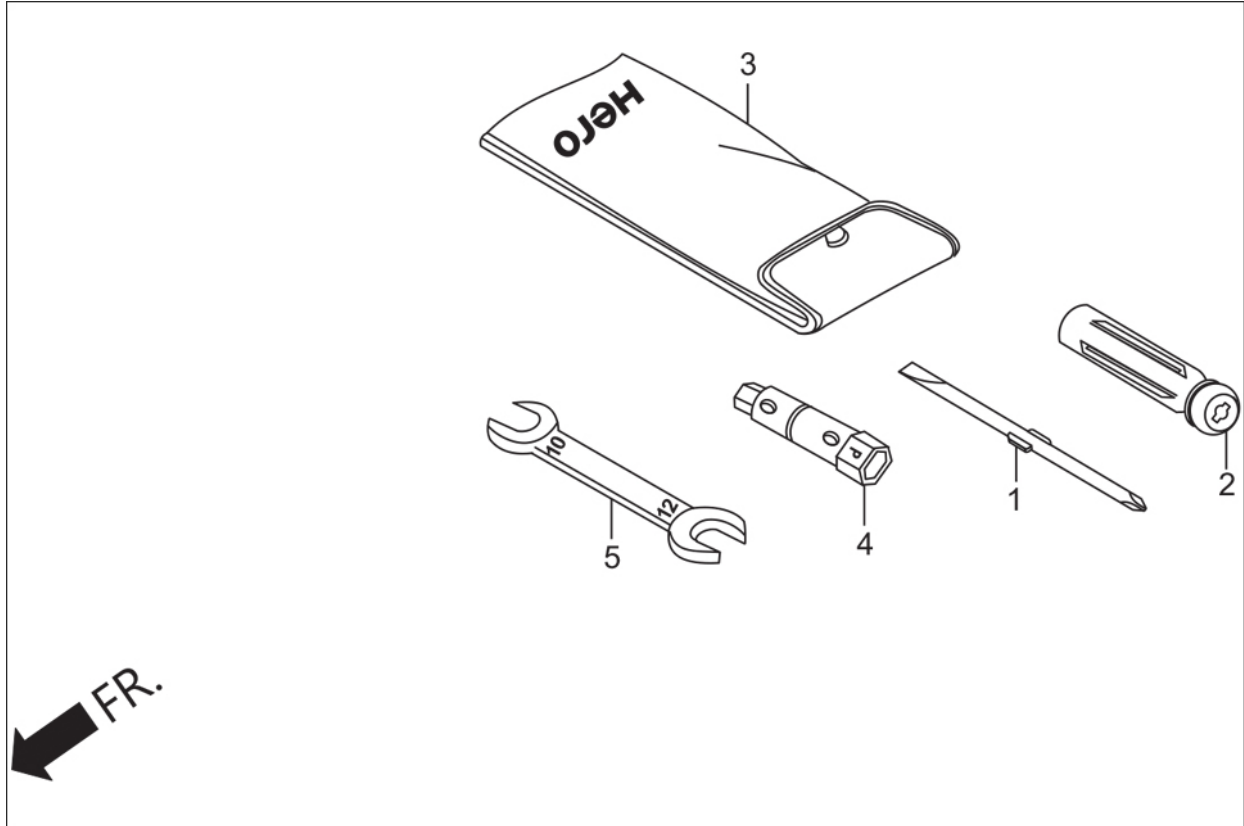
Group Number: F-23 **Model ::** Pleasure (May, 2016)

Ref No.	Part Number	Description	Req.
1	11345-GCC-000	DUCT, L. COVER	1
2	11346-KCW-870	BAND, L. COVER. DUCT	1
3	50100-AAL-000	FRAME BODY COMP	1
4	50352-GW0-730	RUBBER, LINK STOPPER	1
	50352-GW0-730	RUBBER, LINK STOPPER	1
5	50355-KPL-900	LINK, SUB ASSY., ENG. HANGER	1
6	77300-AAL-200	GRIP RR	1
7	80102-KTP-900	PLATE, FRAME, BODY SPLASH GUARD	1
8	90105-KJ9-000	BOLT, FLANGE 10X210	1
	90105-KJ9-000	BOLT, FLANGE 10X210	1
9	90106-GCC-000	BOLT, FLANGE 10X238	1
	90106-GCC-000	BOLT, FLANGE 10X238	1
10	90304-KCS-920	NUT U 10 MM	2
	90304-KCS-920	NUT U 10 MM	2
11	90505-KY4-900	WASHER,PLAIN ,8 MM	4
12	90672-KPL-901	BODY, CLIP	1
13	90862-GCC-000	PLUG, FRAME, END	1
	90862-GCC-000	PLUG, FRAME, END	1
14	91405-KPL-900	CLAMP, D29 TUBE	1
15	93500-04025-0G	SCREW, PAN, 4X25	1

F-23 : FRAME BODY

	93500-04025-0G	SCREW, PAN, 4X25	1
16	94050-08000	NUT, FLANGE, 8MM	2
	94050-08000	NUT, FLANGE, 8MM	2
17	95701-08038-08	BOLT, FLANGE, 8X38	4

F-24 : TOOLS



F-24 : TOOLS

Group Number: F-24 **Model ::** Pleasure (May, 2016)

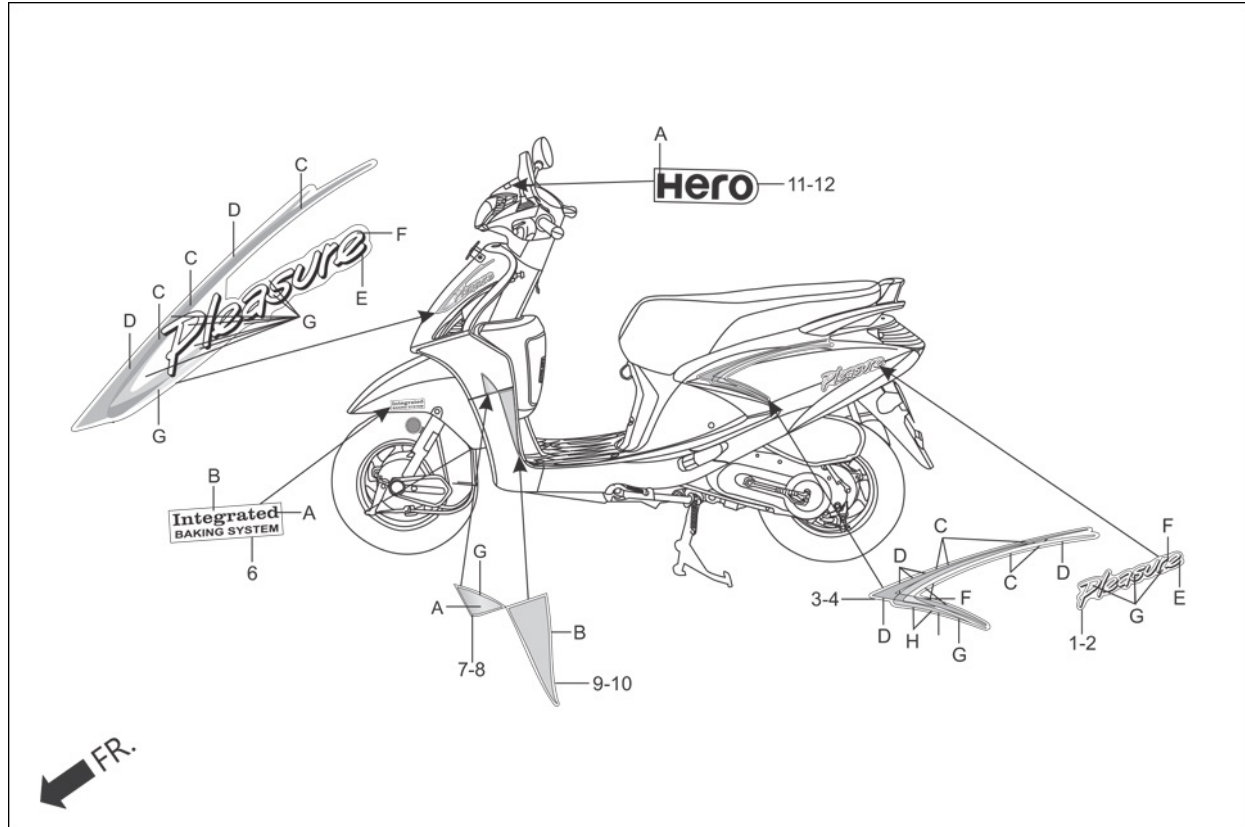
Ref No.	Part Number	Description	Req.
1	89102-538-000	SCREW, DRIVER PLUS/MINUS	1
2	89103-538-000	GRIP, SCREW DRIVER	1
3	89216-AAD-H00	TOOL BAG	1
4	89216-KTP-900	WRENCH, PLUG(16)	1
5	89218-AAL-H00	SPANNER 14	1

F-25 : CAUTION LABEL

Group Number: F-25 **Model ::** Pleasure (May, 2016)

Ref No.	Part Number	Description	Req.
1	87503-AAL-300	ANTI TAMPERING CTRL STICKER	1
2	87541-AAW-300	LABEL OIL RECOMMENDATION	1
3	87505-AAL-100	LABEL TYRE	1
4	87560-MZ0-670	LABEL, DRIVE	1

F-26 : MARK/STRIPE



F-26 : MARK/STRIPE

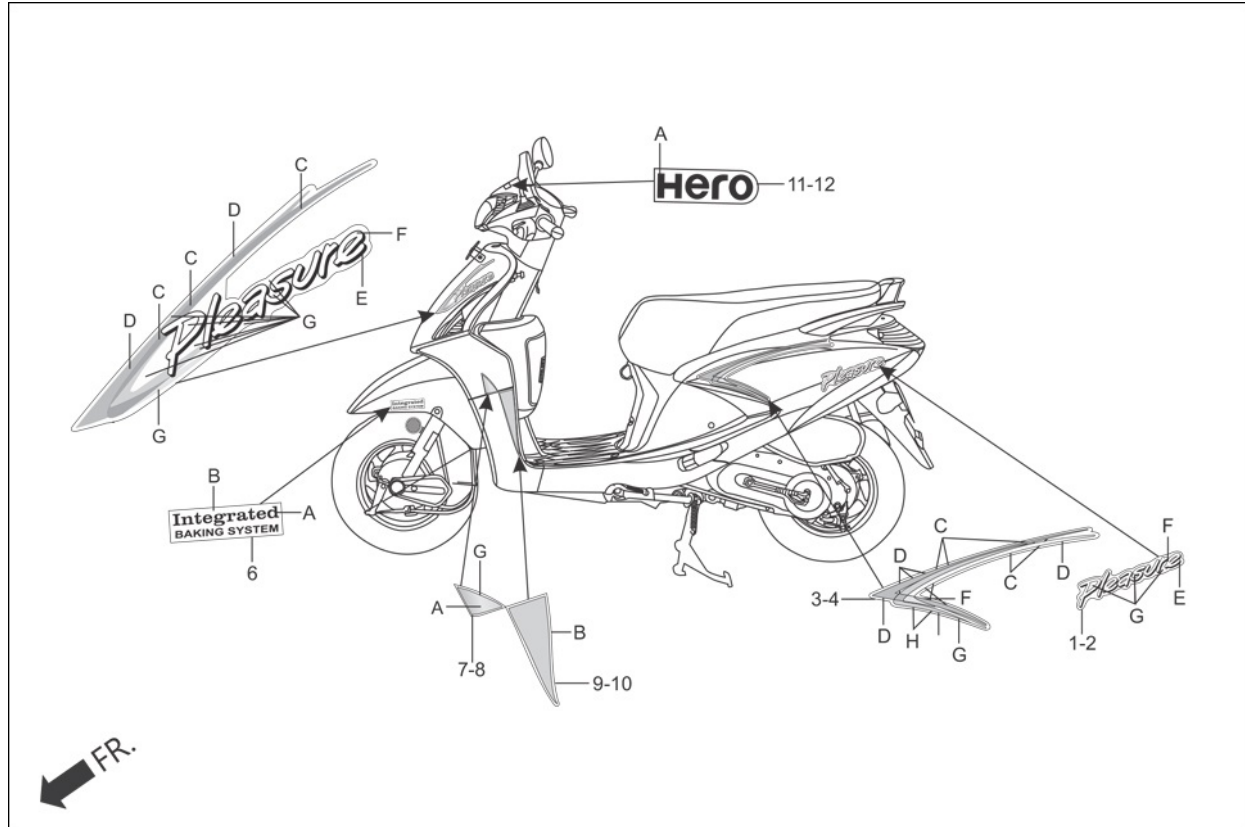
Group Number: F-26 **Model ::** Pleasure (May, 2016)

Ref No.	Part Number	Description	Req.
1	86102-AAL-000R	STRIPE A R BODY COVER(TYPE-1)	1

SPECIFIED COLOUR CHART FOR STRIPE A, R. BODY COVER

SPECIFIED COLOUR TYPE	E	F	G	MAIN BODY COLOUR
1	NH-1 BLACK	PEARL FADELESS WHITE	TRANSPARENT	LIGHT PURPLE ME. (P-50M)
				VIBRANT ORANGE (YR-250)
				FROST BLUE ME. (B-185M)
				LEAF GREEN ME. (GY-141M)
				CANDY BLAZING RED (R-195C) TYPE-1
				FORCE SILVER ME. (NH-411M)
				PEARL FADELESS WHITE (NH-341P)
				CANDY BLAZING RED (R-195C) TYPE-2
				BLACK (NH-1)

F-26 : MARK/STRIPE



F-26 : MARK/STRIPE

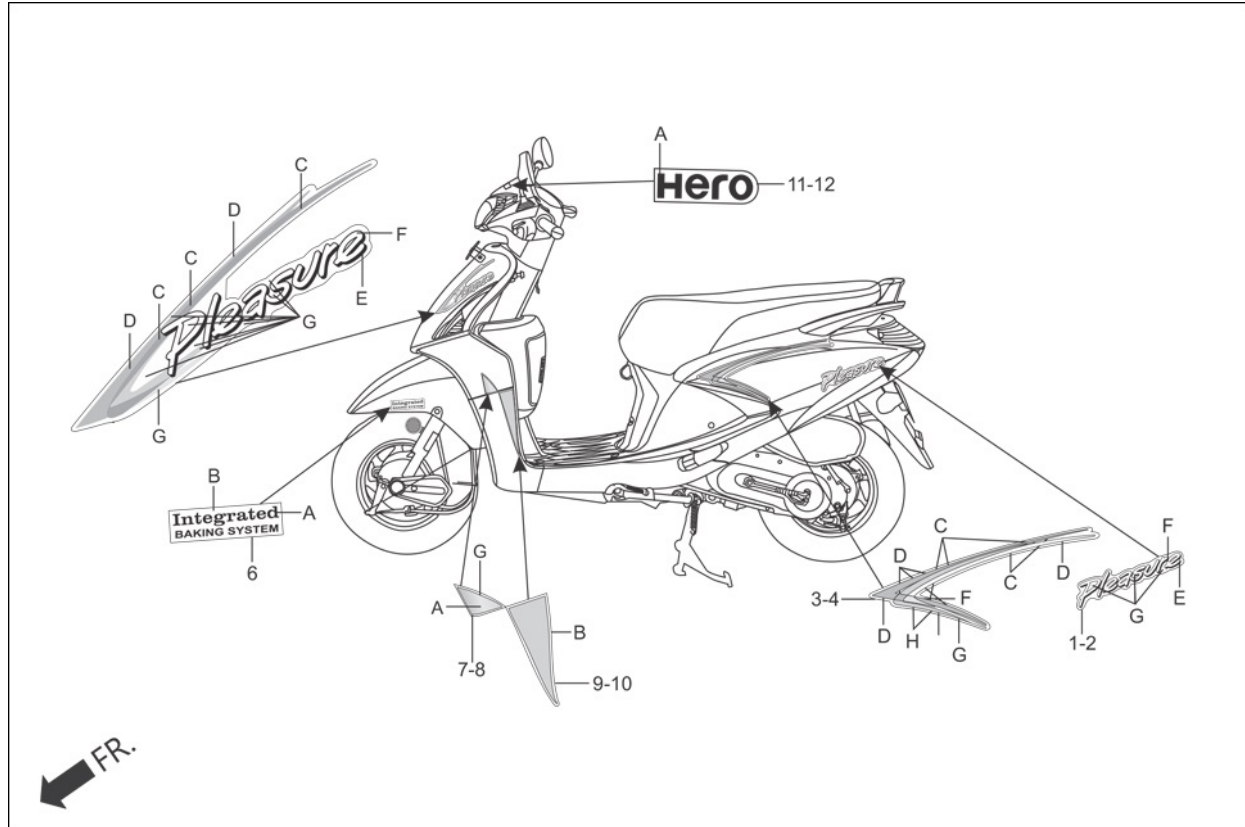
Group Number: F-26 **Model ::** Pleasure (May, 2016)

Ref No.	Part Number	Description	Req.
2	86103-AAL-000R	STRIPE A L BODY COVER(TYPE-1)	1

SPECIFIED COLOUR CHART FOR STRIPE A, L. BODY COVER

SPECIFIED COLOUR TYPE	E	F	G	MAIN BODY COLOUR
1	NH-1 BLACK	PEARL FADELESS WHITE	TRANSPARENT	LIGHT PURPLE ME. (P-50M)
				VIBRANT ORANGE (YR-250)
				FROST BLUE ME. (B-185M)
				LEAF GREEN ME. (GY-141M)
				CANDY BLAZING RED (R-195C) TYPE-1
				FORCE SILVER ME. (NH-411M)
				PEARL FADELESS WHITE (NH-341P)
				BLACK (NH-1)

F-26 : MARK/STRIPE



F-26 : MARK/STRIPE

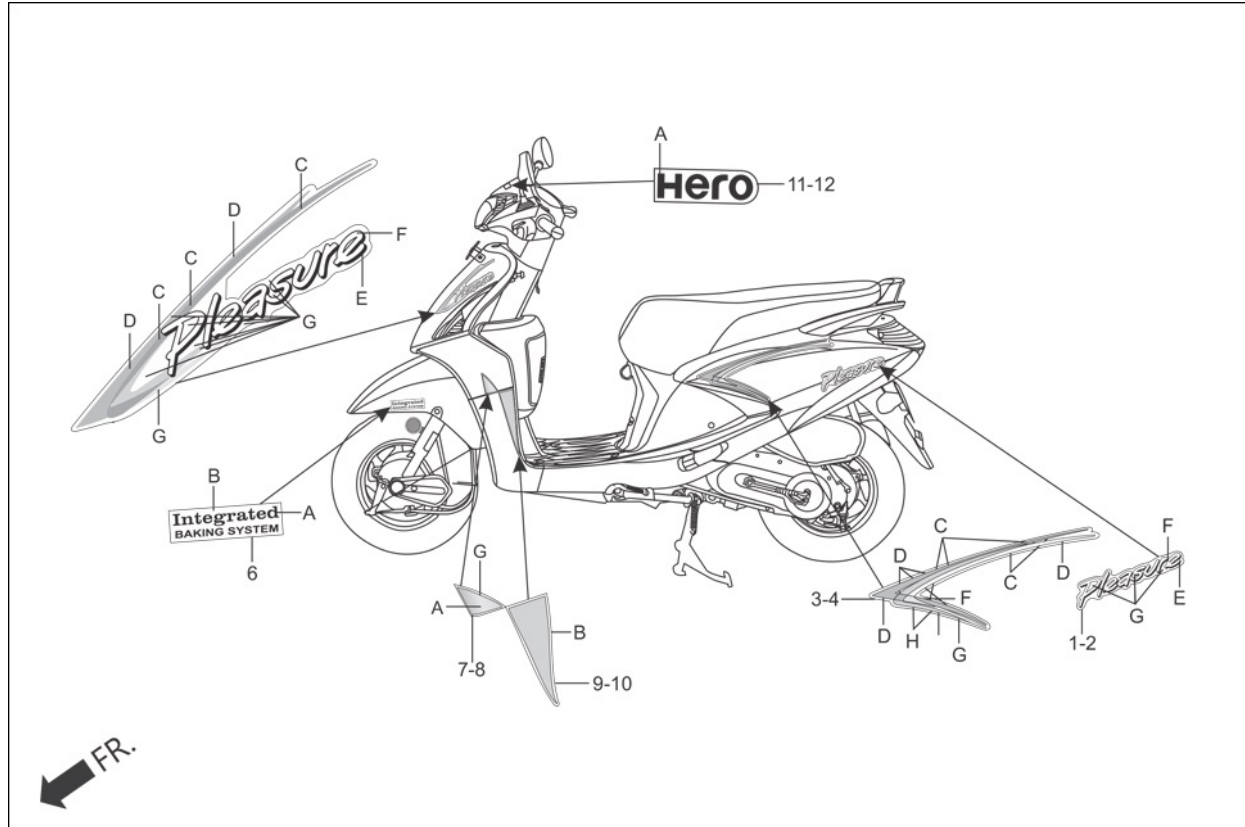
Group Number: F-26 Model :: Pleasure (May, 2016)

Ref No.	Part Number	Description	Req.
3	86104-AAL-000R	STRIPE B R BODY COVER(TYPE-1)	1
	86104-AAL-000S	STRIPE B R BODY COVER(TYPE-2)	1
	86104-AAL-000T	STRIPE B R BODY COVER(TYPE-3)	1
	86104-AAL-000U	STRIPE B R BODY COVER(TYPE-4)	1
	86104-AAL-000V	STRIPE B R BODY COVER(TYPE-5)	1
	86104-AAL-000W	STRIPE B R BODY COVER(TYPE-6)	1
	86104-AAL-000X	STRIPE B R BODY COVER(TYPE-7)	1
	86104-AAL-000Z	STRIPE B R BODY COVER(TYPE-9)	1

SPECIFIED COLOUR CHART FOR STRIPE B, R. BODY COVER

SPECIFIED COLOUR TYPE	C	D	E	F	G	H	MAIN BODY COLOUR
1	PINK	PINK	NH-1 BLACK	PEARL FADELESS WHITE	TRANSPARENT	PEARL FADELESS WHITE	LIGHT PURPLE ME. (P-50M)
2	PERSON ORANGE	IMPULSE ORANGE	NH-1 BLACK	PEARL FADELESS WHITE	TRANSPARENT	PEARL FADELESS WHITE	VIBRANT ORANGE (YR-250)
3	PEARLS MEDIUM BLUE	BLUE ME.	NH-1 BLACK	PEARL FADELESS WHITE	TRANSPARENT	PEARL FADELESS WHITE	FROST BLUE ME. (B-185M)
4	LIGHT GREEN	GREY LIGHT GREEN ME.	NH-1 BLACK	PEARL FADELESS WHITE	TRANSPARENT	PEARL FADELESS WHITE	LEAF GREEN ME. (GY-141M)
5	JOLLY PINK ME.	CLASSY MAROON	NH-1 BLACK	PEARL FADELESS WHITE	TRANSPARENT	PEARL FADELESS WHITE	CANDY BLAZING RED (R-195C) TYPE-1
6	PINK	SPARK RED	NH-1 BLACK	PEARL FADELESS WHITE	TRANSPARENT	PEARL FADELESS WHITE	FORCE SILVER ME. (NH-411M)
7	PINK	SPARK RED	NH-1 BLACK	PEARL FADELESS WHITE	TRANSPARENT	PEARL FADELESS WHITE	PEARL FADELESS WHITE (NH-341P)
5	JOLLY PINK ME.	CLASSY MAROON	NH-1 BLACK	PEARL FADELESS WHITE	TRANSPARENT	PEARL FADELESS WHITE	CANDY BLAZING RED (R-195C) TYPE-2
9	PINK	PINK ME.	NH-1 BLACK	PEARL FADELESS WHITE	NH-1 BLACK	PEARL FADELESS WHITE	BLACK (NH-1)

F-26 : MARK/STRIPE



F-26 : MARK/STRIPE

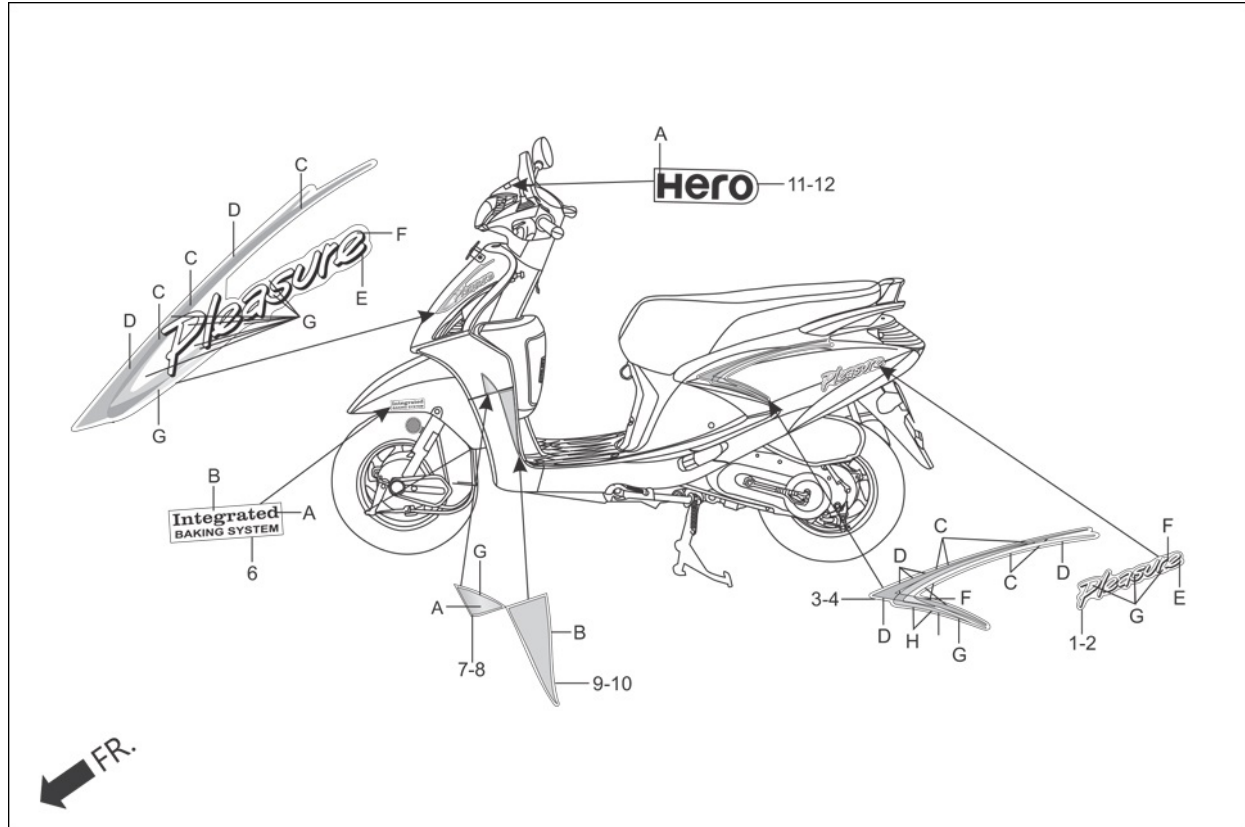
Group Number: F-26 Model :: Pleasure (May, 2016)

Ref No.	Part Number	Description	Req.
4	86105-AAL-000R	STRIPE B L BODY COVER(TYPE-1)	1
	86105-AAL-000S	STRIPE B L BODY COVER(TYPE-2)	1
	86105-AAL-000T	STRIPE B L BODY COVER(TYPE-3)	1
	86105-AAL-000U	STRIPE B L BODY COVER(TYPE-4)	1
	86105-AAL-000V	STRIPE B L BODY COVER(TYPE-5)	1
	86105-AAL-000W	STRIPE B L BODY COVER(TYPE-6)	1
	86105-AAL-000X	STRIPE B L BODY COVER(TYPE-7)	1
	86105-AAL-000Z	STRIPE B L BODY COVER(TYPE-9)	1

SPECIFIED COLOUR CHART FOR STRIPE B, L. BODY COVER

SPECIFIED COLOUR TYPE	C	D	E	F	G	H	MAIN BODY COLOUR
1	PINK	PINK	NH-1 BLACK	PEARL FADELESS WHITE	TRANSPARENT	PEARL FADELESS WHITE	LIGHT PURPLE ME. (P-50M)
2	PERSON ORANGE	IMPULSE ORANGE	NH-1 BLACK	PEARL FADELESS WHITE	TRANSPARENT	PEARL FADELESS WHITE	VIBRANT ORANGE (YR-250)
3	PEARLS MEDIUM BLUE	BLUE ME.	NH-1 BLACK	PEARL FADELESS WHITE	TRANSPARENT	PEARL FADELESS WHITE	FROST BLUE ME. (B-185M)
4	LIGHT GREEN	GREY LIGHT GREEN ME.	NH-1 BLACK	PEARL FADELESS WHITE	TRANSPARENT	PEARL FADELESS WHITE	LEAF GREEN ME. (GY-141M)
5	JOLLY PINK ME.	CLASSY MAROON	NH-1 BLACK	PEARL FADELESS WHITE	TRANSPARENT	PEARL FADELESS WHITE	CANDY BLAZING RED (R-195C) TYPE-1
6	PINK	SPARK RED	NH-1 BLACK	PEARL FADELESS WHITE	TRANSPARENT	PEARL FADELESS WHITE	FORCE SILVER ME. (NH-411M)
7	PINK	SPARK RED	NH-1 BLACK	PEARL FADELESS WHITE	TRANSPARENT	PEARL FADELESS WHITE	PEARL FADELESS WHITE (NH-341P)
5	JOLLY PINK ME.	CLASSY MAROON	NH-1 BLACK	PEARL FADELESS WHITE	TRANSPARENT	PEARL FADELESS WHITE	CANDY BLAZING RED (R-195C) TYPE-2
9	PINK	PINK ME.	NH-1 BLACK	PEARL FADELESS WHITE	NH-1 BLACK	PEARL FADELESS WHITE	BLACK (NH-1)

F-26 : MARK/STRIPE



F-26 : MARK/STRIPE

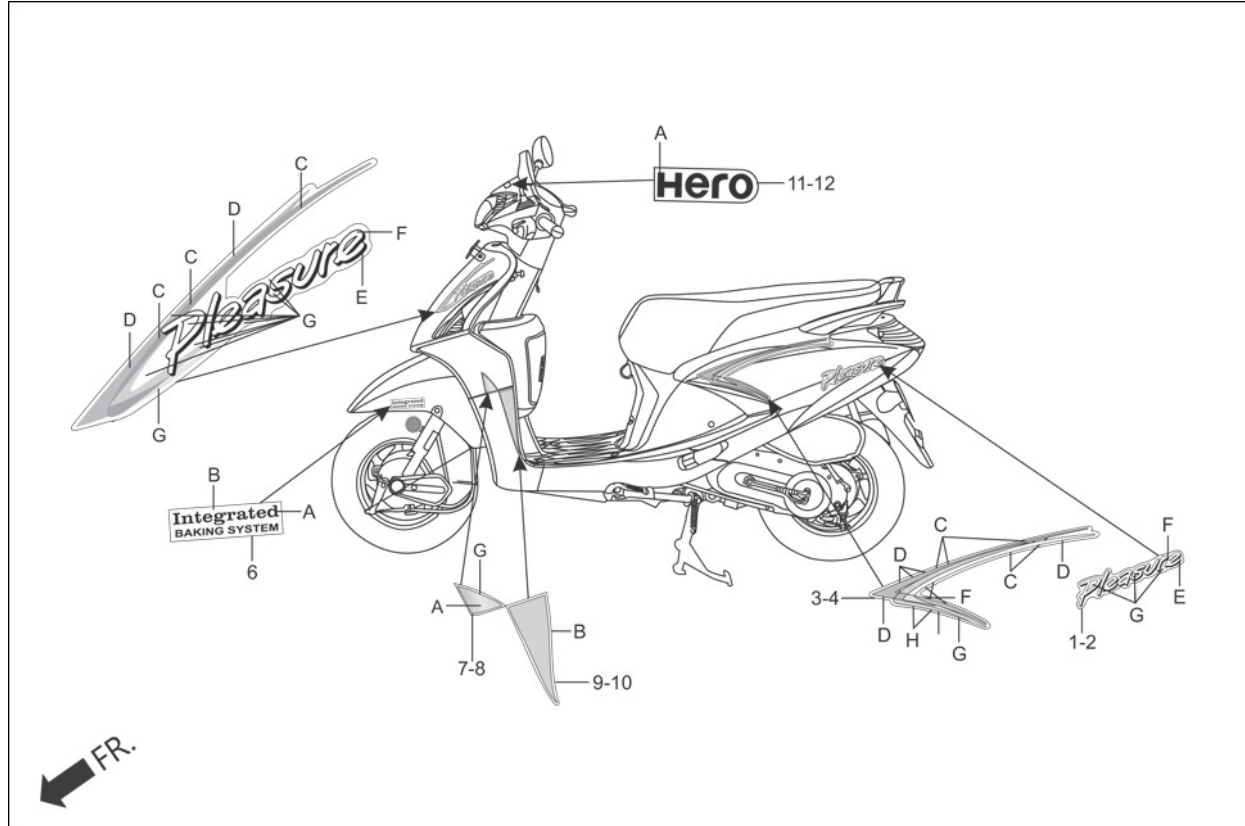
Group Number: F-26 Model :: Pleasure (May, 2016)

Ref No.	Part Number	Description	Req.
5	86211-AAL-000R	STRIPE A FR UP.COVER(TYPE-1)	1
	86211-AAL-000S	STRIPE A FR UP.COVER(TYPE-2)	1
	86211-AAL-000T	STRIPE A FR UP.COVER(TYPE-3)	1
	86211-AAL-000U	STRIPE A FR UP.COVER(TYPE-4)	1
	86211-AAL-000V	STRIPE A FR UP.COVER(TYPE-5)	1
	86211-AAL-000W	STRIPE A FR UP.COVER(TYPE-6)	1
	86211-AAL-000Y	STRIPE A FR UP.COVER(TYPE-8)	1
	86211-AAL-000Z	STRIPE A FR UP.COVER(TYPE-9)	1

SPECIFIED COLOUR CHART FOR STRIPE A, FR. UPPER COVER

SPECIFIED COLOUR TYPE	A	C	D	E	F	G	MAIN BODY COLOUR
1	LIGHT PURPLE ME.	PINK	PINK	NH-1 BLACK	PEARL FADELESS WHITE	TRANSPARENT	LIGHT PURPLE ME. (P-50M)
2	VIBRANT ORANGE	PERSON ORANGE	IMPULSE ORANGE	NH-1 BLACK	PEARL FADELESS WHITE	TRANSPARENT	VIBRANT ORANGE (YR-250)
3	FROST BLUE ME.	PEARLS MEDIUM BLUE	BLUE ME.	NH-1 BLACK	PEARL FADELESS WHITE	TRANSPARENT	FROST BLUE ME. (B-185M)
4	LEAF GREEN ME.	LIGHT GREEN	GREY LIGHT GREEN ME.	NH-1 BLACK	PEARL FADELESS WHITE	TRANSPARENT	LEAF GREEN ME. (GY-141M)
5	CANDY BLAZING RED TYPE-1	JOLLY PINK ME.	CLASSY MAROON	NH-1 BLACK	PEARL FADELESS WHITE	TRANSPARENT	CANDY BLAZING RED (R-195C) TYPE-1
6	-----	PINK	SPARK RED	NH-1 BLACK	PEARL FADELESS WHITE	TRANSPARENT	FORCE SILVER ME. (NH-411M)
7	-----	-----	-----	-----	-----	-----	PEARL FADELESS WHITE (NH-341P)
8	-----	JOLLY PINK ME.	CLASSY MAROON	NH-1 BLACK	PEARL FADELESS WHITE	TRANSPARENT	CANDY BLAZING RED (R-195C) TYPE-2
9	-----	PINK	PINK ME.	NH-1 BLACK	PEARL FADELESS WHITE	NH-1 BLACK	BLACK (NH-1)

F-26 : MARK/STRIPE



F-26 : MARK/STRIPE

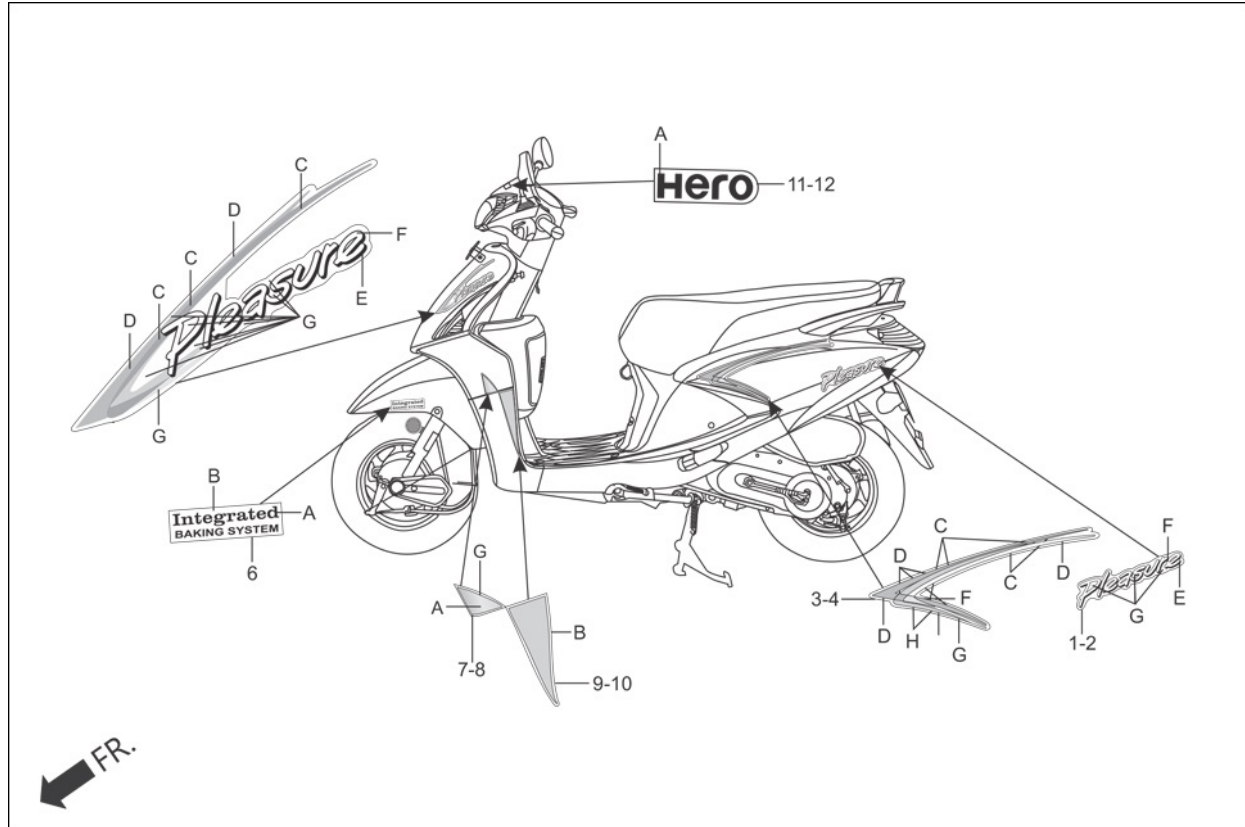
Group Number: F-26 **Model ::** Pleasure (May, 2016)

Ref No.	Part Number	Description	Req.
6	86217-AAL-000R	MARK IBS FR FENDER(TYPE-1)	1
	86217-AAL-000S	MARK IBS FR FENDER(TYPE-1)	1

SPECIFIED COLOUR CHART FOR MARK IBS FR. FENDER

SPECIFIED COLOUR TYPE	A	B	MAIN BODY COLOUR
	1	NH-1 BLACK	TRANSPARENT
2	PEARL FADELESS WHITE	TRANSPARENT	BLACK (NH-1)

F-26 : MARK/STRIPE



F-26 : MARK/STRIPE

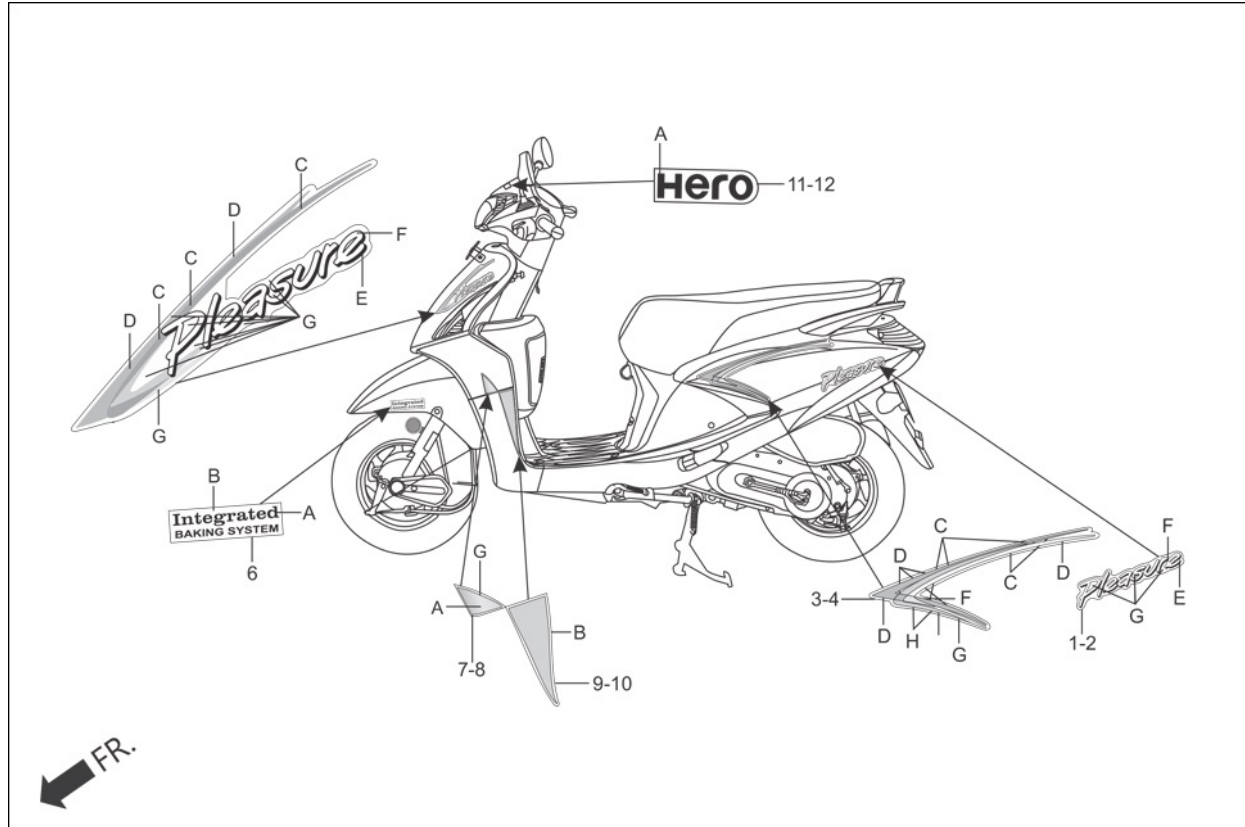
Group Number: F-26 **Model ::** Pleasure (May, 2016)

Ref No.	Part Number	Description	Req.
7	86221-AAL-000R	STRIPE B R FR UP.COVER(TYPE-1)	1
	86221-AAL-000S	STRIPE B R FR UP.COVER(TYPE-2)	1
	86221-AAL-000T	STRIPE B R FR UP.COVER(TYPE-3)	1
	86221-AAL-000U	STRIPE B R FR UP.COVER(TYPE-4)	1
	86221-AAL-000V	STRIPE B R FR UP.COVER(TYPE-5)	1

SPECIFIED COLOUR CHART FOR STRIPE B, R, FR. UPPER COVER

SPECIFIED COLOUR TYPE	A	C	D	E	F	G	MAIN BODY COLOUR
1	LIGHT PURPLE ME.	PINK	PINK	NH-1 BLACK	PEARL FADELESS WHITE	TRANSPARENT	LIGHT PURPLE ME. (P-50M)
2	VIBRANT ORANGE	PERSON ORANGE	IMPULSE ORANGE	NH-1 BLACK	PEARL FADELESS WHITE	TRANSPARENT	VIBRANT ORANGE (YR-250)
3	FROST BLUE ME.	PEARLS MEDIUM BLUE	BLUE ME.	NH-1 BLACK	PEARL FADELESS WHITE	TRANSPARENT	FROST BLUE ME. (B-185M)
4	LEAF GREEN ME.	LIGHT GREEN	GREY LIGHT GREEN ME.	NH-1 BLACK	PEARL FADELESS WHITE	TRANSPARENT	LEAF GREEN ME. (GY-141M)
5	CANDY BLAZING RED TYPE-1	JOLLY PINK ME.	CLASSY MAROON	NH-1 BLACK	PEARL FADELESS WHITE	TRANSPARENT	CANDY BLAZING RED (R-195C) TYPE-1
6	-----	-----	-----	-----	-----	-----	FORCE SILVER ME. (NH-411M)
7	-----	-----	-----	-----	-----	-----	PEARL FADELESS WHITE (NH-341P)
8	-----	-----	-----	-----	-----	-----	CANDY BLAZING RED (R-195C) TYPE-2
9	-----	-----	-----	-----	-----	-----	BLACK (NH-1)

F-26 : MARK/STRIPE



F-26 : MARK/STRIPE

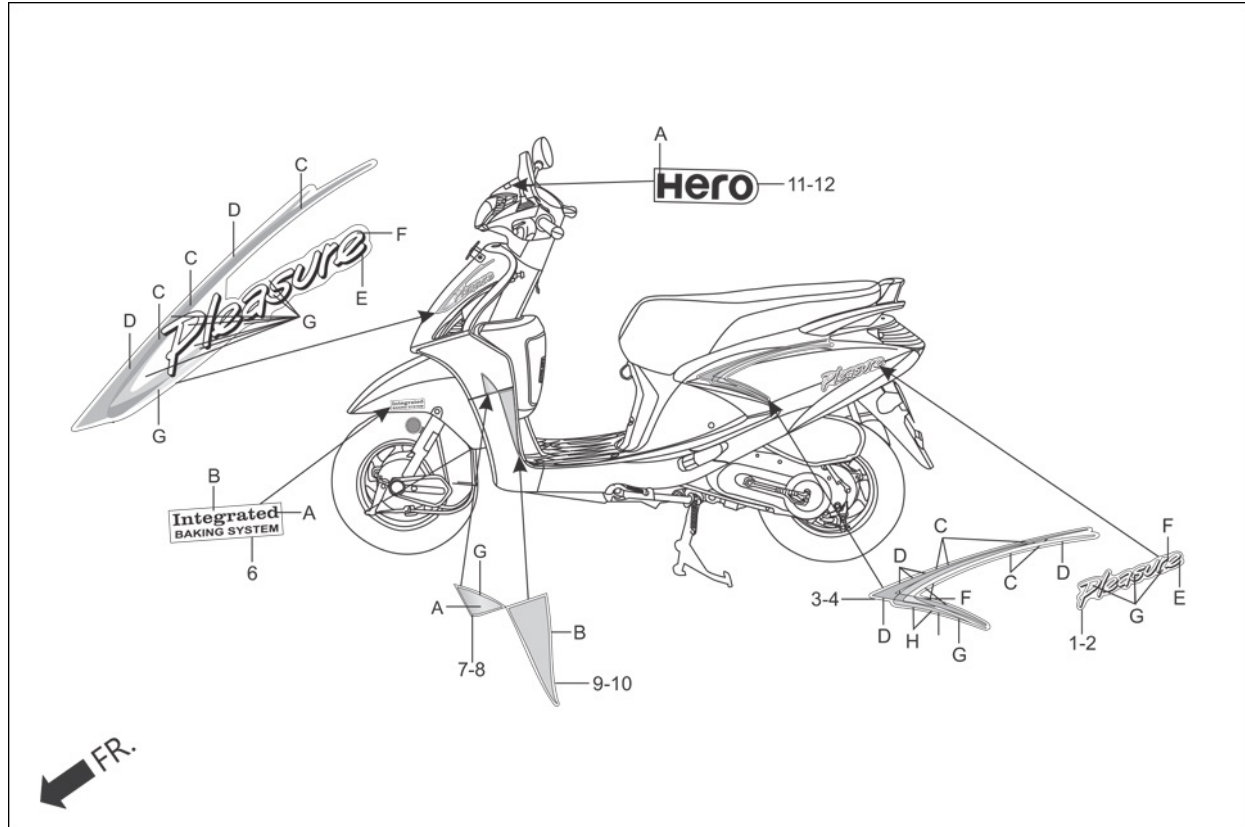
Group Number: F-26 **Model ::** Pleasure (May, 2016)

Ref No.	Part Number	Description	Req.
8	86231-AAL-000R	STRIPE B L FR UP.COVER(TYPE-1)	1
	86231-AAL-000S	STRIPE B L FR UP.COVER(TYPE-2)	1
	86231-AAL-000T	STRIPE B L FR UP.COVER(TYPE-3)	1
	86231-AAL-000U	STRIPE B L FR UP.COVER(TYPE-4)	1
	86231-AAL-000V	STRIPE B L FR UP.COVER(TYPE-5)	1

SPECIFIED COLOUR CHART FOR STRIPE B, L, FR. UPPER COVER

SPECIFIED COLOUR TYPE	A	C	D	E	F	G	MAIN BODY COLOUR
1	LIGHT PURPLE ME.	PINK	PINK	NH-1 BLACK	PEARL FADELESS WHITE	TRANSPARENT	LIGHT PURPLE ME. (P-50M)
2	VIBRANT ORANGE	PERSON ORANGE	IMPULSE ORANGE	NH-1 BLACK	PEARL FADELESS WHITE	TRANSPARENT	VIBRANT ORANGE (YR-250)
3	FROST BLUE ME.	PEARLS MEDIUM BLUE	BLUE ME.	NH-1 BLACK	PEARL FADELESS WHITE	TRANSPARENT	FROST BLUE ME. (B-185M)
4	LEAF GREEN ME.	LIGHT GREEN	GREY LIGHT GREEN ME.	NH-1 BLACK	PEARL FADELESS WHITE	TRANSPARENT	LEAF GREEN ME. (GY-141M)
5	CANDY BLAZING RED TYPE-1	JOLLY PINK ME.	CLASSY MAROON	NH-1 BLACK	PEARL FADELESS WHITE	TRANSPARENT	CANDY BLAZING RED (R-195C) TYPE-1
6	-----	-----	-----	-----	-----	-----	FORCE SILVER ME. (NH-411M)
7	-----	-----	-----	-----	-----	-----	PEARL FADELESS WHITE (NH-341P)
8	-----	-----	-----	-----	-----	-----	CANDY BLAZING RED (R-195C) TYPE-2
9	-----	-----	-----	-----	-----	-----	BLACK (NH-1)

F-26 : MARK/STRIPE



F-26 : MARK/STRIPE

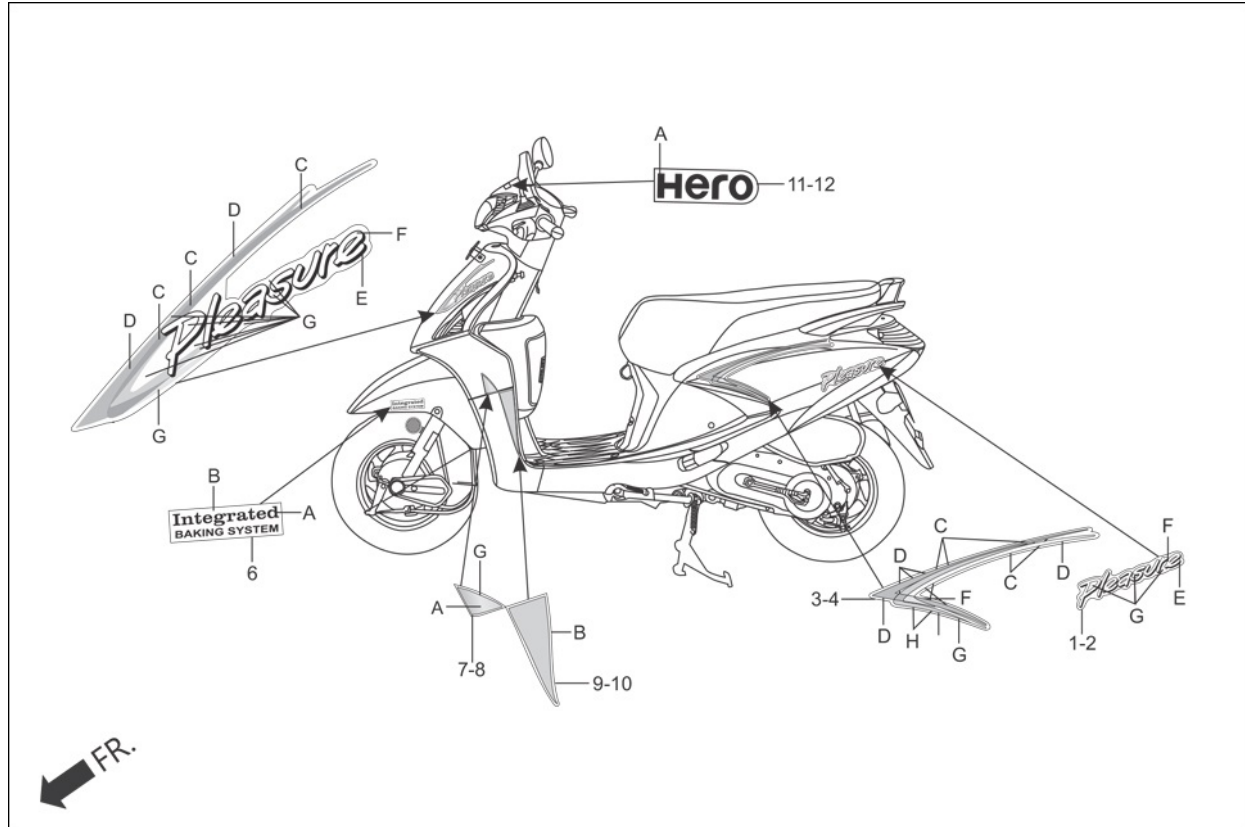
Group Number: F-26 **Model ::** Pleasure (May, 2016)

Ref No.	Part Number	Description	Req.
9	86351-AAL-000R	STRIPE R FR LWR COVER(TYPE-1)	1

SPECIFIED COLOUR CHART FOR STRIPE R, FR. LOWER COVER

SPECIFIED COLOUR TYPE	B	MAIN BODY COLOUR
1	PEARL FADELESS WHITE	LIGHT PURPLE ME. (P-50M)
		VIBRANT ORANGE (YR-250)
		FROST BLUE ME. (B-185M)
		LEAF GREEN ME. (GY-141M)
		CANDY BLAZING RED (R-195C) TYPE-1
	-----	FORCE SILVER ME. (NH-411M)
		PEARL FADELESS WHITE (NH-341P)
		CANDY BLAZING RED (R-195C) TYPE-2
		BLACK (NH-1)

F-26 : MARK/STRIPE



F-26 : MARK/STRIPE

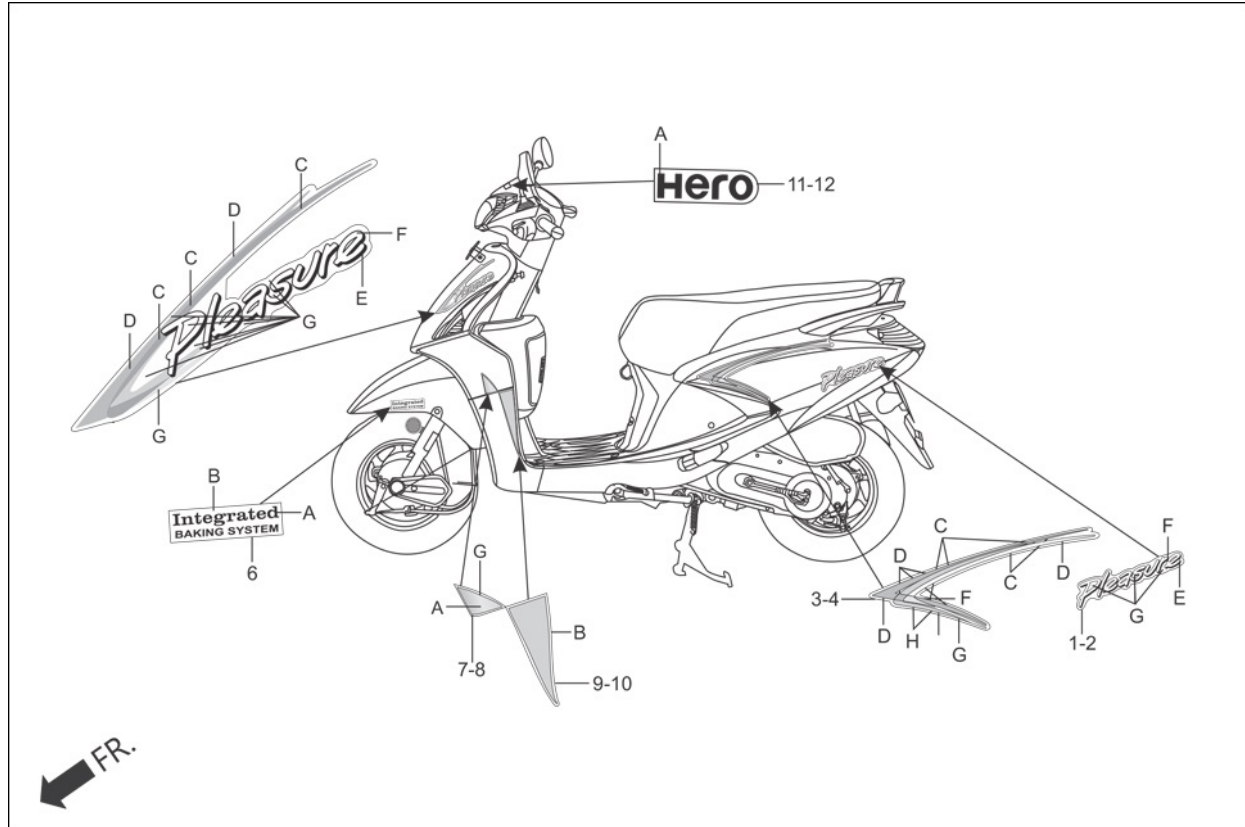
Group Number: F-26 **Model ::** Pleasure (May, 2016)

Ref No.	Part Number	Description	Req.
10	86361-AAL-000R	STRIPE L FR LWR COVER(TYPE-1)	1

SPECIFIED COLOUR CHART FOR STRIPE L, FR. LOWER COVER

SPECIFIED COLOUR TYPE	B	MAIN BODY COLOUR
1	PEARL FADELESS WHITE	LIGHT PURPLE ME. (P-50M)
		VIBRANT ORANGE (YR-250)
		FROST BLUE ME. (B-185M)
		LEAF GREEN ME. (GY-141M)
		CANDY BLAZING RED (R-195C) TYPE-1
		FORCE SILVER ME. (NH-411M)
		PEARL FADELESS WHITE (NH-341P)
		CANDY BLAZING RED (R-195C) TYPE-2
		BLACK (NH-1)

F-26 : MARK/STRIPE



F-26 : MARK/STRIPE

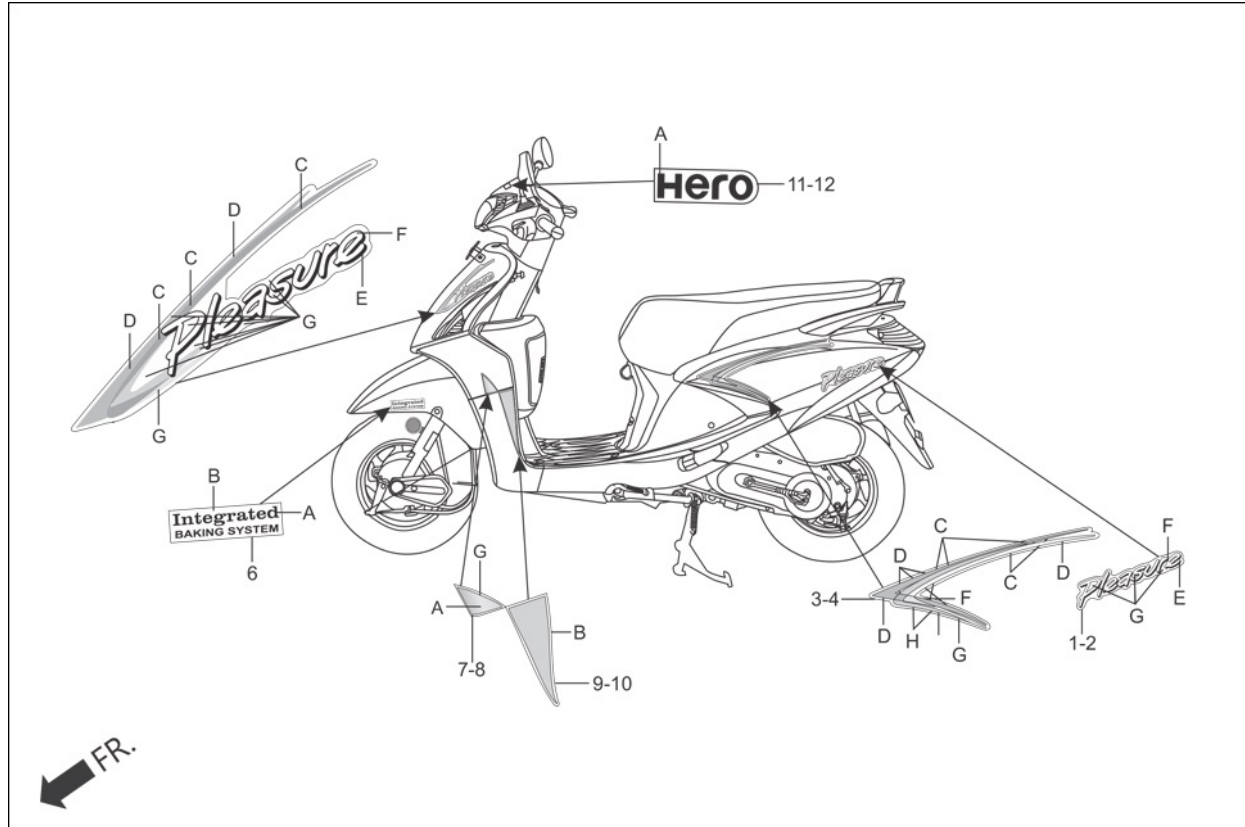
Group Number: F-26 **Model ::** Pleasure (May, 2016)

Ref No.	Part Number	Description	Req.
11	86836-AAD-H70ZA	STRIPE FRONT VISOR (TYPE-1)	1
	86836-AAD-H70ZA	STRIPE FRONT VISOR (TYPE-1)	1

SPECIFIED COLOUR CHART FOR STRIPE, MARK HANDEL COVER

SPECIFIED COLOUR TYPE	A	MAIN BODY COLOUR
1	FORCE SILVER METALLIC (NH-411M)	LIGHT PURPLE ME. (P-50M)
		VIBRANT ORANGE (YR-250)
		FROST BLUE ME. (B-185M)
		LEAF GREEN ME. (GY-141M)
		CANDY BLAZING RED (R-195C) TYPE-1
		FORCE SILVER ME. (NH-411M)
2	BLACK (NH-1)	PEARL FADELESS WHITE (NH-341P)
		CANDY BLAZING RED (R-195C) TYPE-2
		BLACK (NH-1)

F-26 : MARK/STRIPE



F-26 : MARK/STRIPE

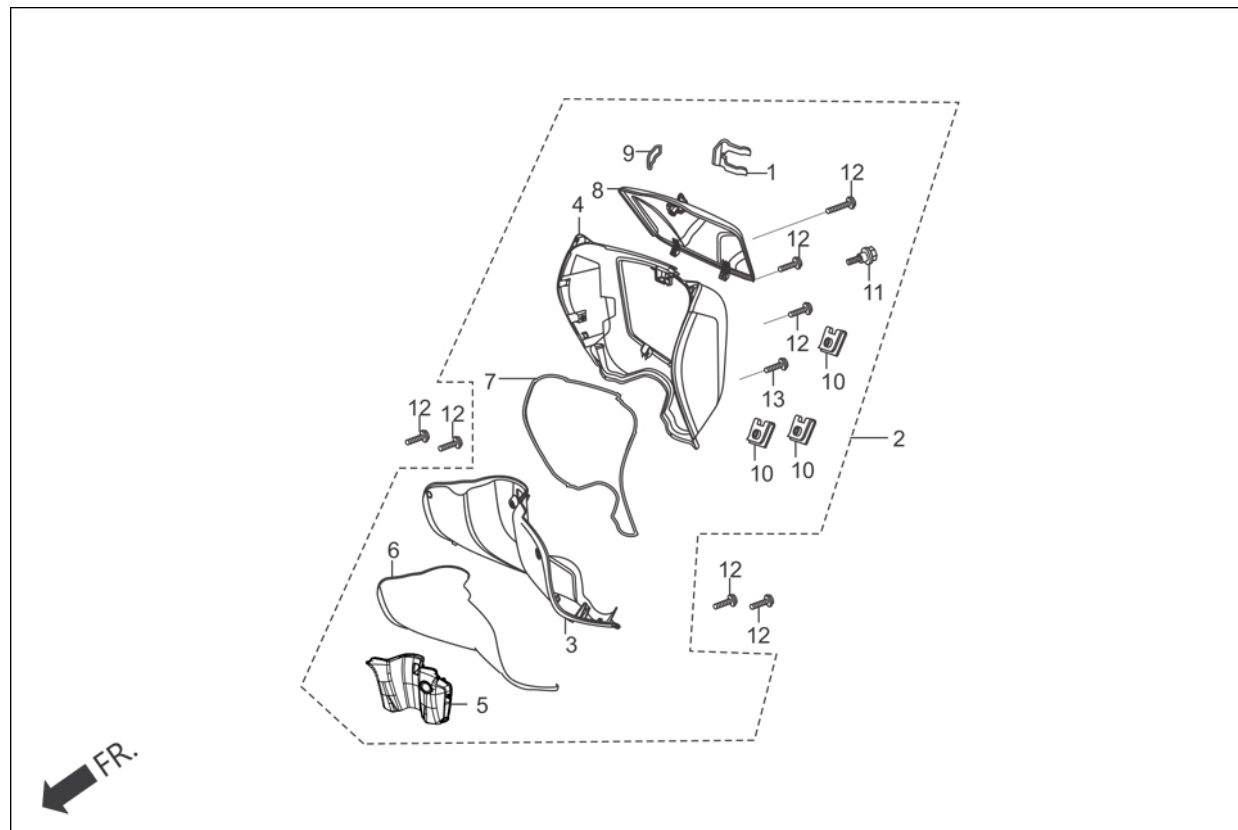
Group Number: F-26 **Model ::** Pleasure (May, 2016)

Ref No.	Part Number	Description	Req.
12	87101-AAL-H30ZA	MARK HANDLE FR. COVER (TYPE-1)	1

SPECIFIED COLOUR CHART FOR STRIPE, MARK HANDEL COVER

SPECIFIED COLOUR TYPE	A	MAIN BODY COLOUR
	-----	LIGHT PURPLE ME. (P-50M)
	-----	VIBRANT ORANGE (YR-250)
	-----	FROST BLUE ME. (B-185M)
	-----	LEAF GREEN ME. (GY-141M)
	-----	CANDY BLAZING RED (R-195C) TYPE-1
	-----	FORCE SILVER ME. (NH-411M)
	-----	PEARL FADELESS WHITE (NH-341P)
2	WHITE	CANDY BLAZING RED (R-195C) TYPE-2
	-----	BLACK (NH-1)

F-27 : FR. INNER BOX

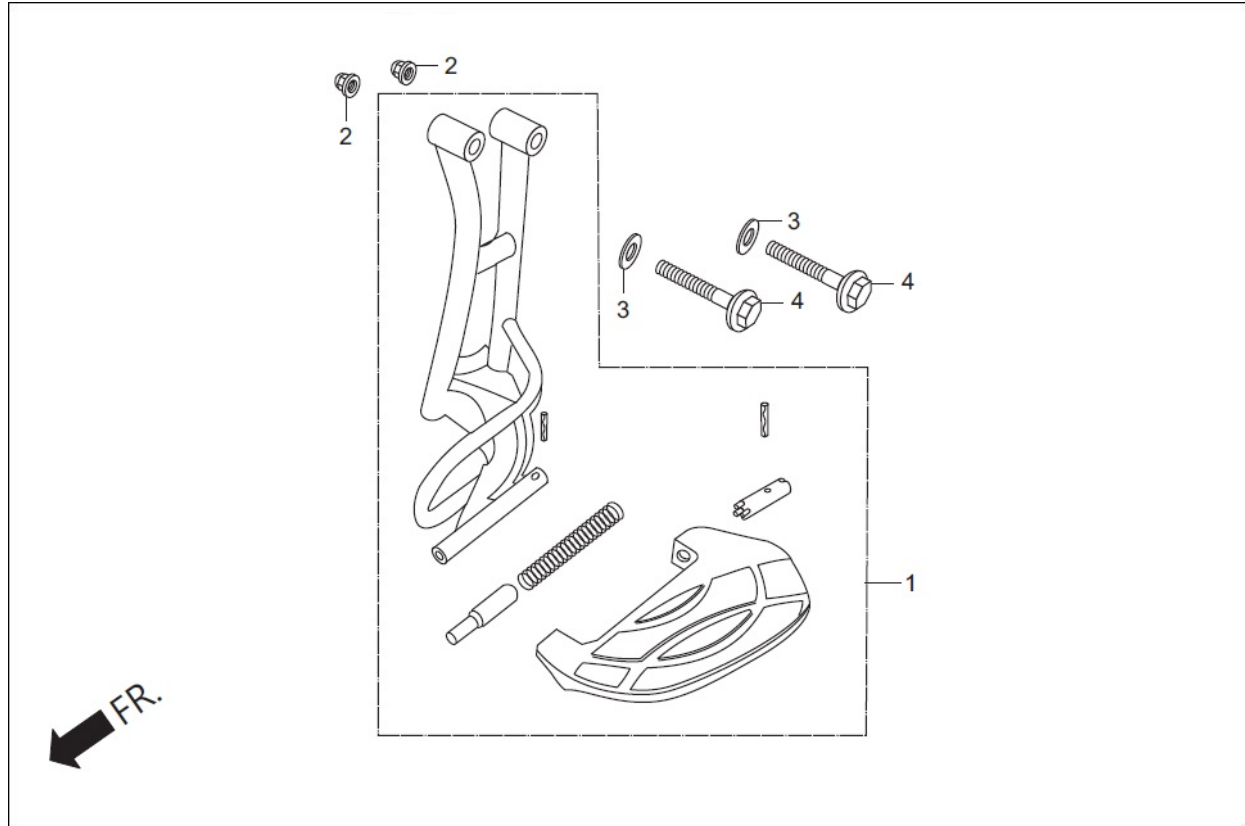


F-27 : FR. INNER BOX

Group Number: F-27 Model :: Pleasure (May, 2016)

Ref No.	Part Number	Description	Req.
1	75581-673-000	SET SPRING, LOCK KEY	1
	75581-673-000	SET SPRING, LOCK KEY	1
2	81130-AAL-000	BOX ASSY INNER	1
3	81131-AAL-000	COVER INNER	1
4	81134-AAL-000	OUTER INNER BOX	1
5	81135-AAL-000	INNER INNER BOX	1
6	81137-AAL-000	SEAL INNER BOX	1
7	81138-AAL-000	SEAL OUTER INNER	1
8	81141-AAL-000	LID INNER BOX	1
9	81143-AAW-300	PIN LID INNER BOX	1
10	90677-KAN-961	NUT CLIP 5MM	3
11	90111-KPL-900	BOLT, INNER COVER	1
	90111-KPL-900	BOLT, INNER COVER	1
12	90116-KTP-900	SCREW WASH 5X16	7
13	93903-25380	SCREW TAPPING 5X16	1

FOP-1 : SARI STEP SET (OPTIONAL)



FOP-1 : SARI STEP SET (OPTIONAL)

Group Number: FOP-1 **Model ::** Pleasure (May, 2016)

Ref No.	Part Number	Description	Req.
1	83520-KTP-900	STEP ASSY. SARI	1
2	94021-08000-0S	NUT,HEX CAP 8 MM	2
3	94101-08000	WASHER, PLAIN, 8MM	2
	94101-08000	WASHER, PLAIN, 8MM	2
4	95801-08045-00	BOLT FLANGE 8X45	2

PARTS INDEX

PART NO	BLOCK	PART NO	BLOCK
3310B-AAL-301	F-1	14520-KPL-840	E-5
3340B-AAL-301	F-19	14531-GCC-000	E-5
3345B-AAL-301	F-19	14531-GCC-000	E-5
3370B-AAL-301	F-20	14560-KCW-880	E-5
11100-KTP-900	E-7	14560-KCW-880	E-5
11102-GT8-B00	E-7	14611-KTP-900	E-5
11102-GT8-B00	E-15	14711-GCC-000	E-4
11200-KTP-900	E-15	14721-GCC-000	E-4
11203-GC7-300	E-15	14751-KTP-900	E-4
11211-KTP-900	E-2	14771-GB4-680	E-4
11220-GCC-000	E-14	14777-KN7-670	E-4
11220-GCC-000	E-14	14777-KN7-670	E-4
11230-KPL-900	E-11	14781-MA6-000	E-4
11341-KTP-900	E-11	14781-MA6-000	E-4
11342-AAL-H00	E-11	15100-KTP-900	E-9
11344-GW3-980	E-11	15131-KPL-900	E-16
11345-GCC-000	F-23	15131-KPL-900	E-16
11346-KCW-870	F-23	15133-AAW-000	E-9
11361-AAW-000	E-7	15133-AAW-000	E-9
11361-AAW-000	E-7	15135-AAW-000	E-9
11395-AAL-00099	E-11	15135-AAW-000	E-9
12101-KTP-900	E-6	15331-436-000	E-9
12191-AAL-00099	E-6	15332-436-000	E-9
12200-AAL-300	E-3	15421-107-000	E-15
12204-KPL-P00	E-3	15421-107-000	E-15
12206-KPL-900	E-3	15426-KCW-880	E-15
12206-KPL-900	E-3	15426-KCW-880	E-15
12209-GB4-685	E-4	15651-KTP-900	E-7
12209-GB4-685	E-4	16010-KVT-901	E-17

12211-KTP-901	E-3	16012-KTP-951	E-17
12251-KPL-840	E-3	16013-KRB-901	E-17
12310-KPL-840	E-2	16015-KTP-951	E-17
12315-KTP-900	E-2	16016-KPW-H01	E-17
12361-035-000	E-15	16022-KTP-901	E-17
12361-035-000	E-15	16028-KPL-901	E-17
12391-KTP-900A	E-2	16041-KPL-901	E-17
13000-AAL-300	E-16	16075-KPL-901	E-17
13011-KCC-942	E-16	16076-KPL-901	E-17
13012-KCC-942	E-16	16100-AAL-H00	E-17
13013-KCC-942	E-16	16119-KPL-901	E-17
13014-KCC-942	E-16	16148-KPL-901	E-17
13015-KCC-942	E-16	16155-KPL-901	E-17
13101-KPL-901	E-16	16163-GFP-901	E-17
13102-KPL-901	E-16	16165-KRP-761	E-17
13103-KPL-901	E-16	16201-AAL-00099	E-3
13104-KPL-901	E-16	16211-KPL-900	E-3
13105-KPL-901	E-16	16212-KTP-900	E-3
13111-087-000	E-16	16229-AAL-00099	E-3
13111-087-000	E-16	16950-KRP-981	F-13
13115-001-000	E-16	16950-KRP-981	F-13
13115-001-000	E-16	17110-AAL-300	E-3
14100-KTP-900	E-4	17113-KPL-900	E-3
14150-GCC-000	E-4	17210-AAW-300	F-15
14311-KPL-900	E-16	17212-KTP-900	F-15
14311-KPL-900	E-16	17213-KTP-900	F-15
14321-AAL-000	E-4	17215-KRP-980	F-15
14321-AAL-000	E-4	17216-KTP-900	F-15
14401-KPL-900	E-5	17216-KTP-900	F-15
14431-GCC-000	E-4	17225-KTP-900H	F-15

14451-GCC-000	E-4	17234-KCC-940	F-15
14461-GCC-000	E-4	17234-KCC-940	F-15
14461-GCC-000	E-4	17235-KTP-900H	F-15
14510-KPL-900	E-5	17245-KTP-900	F-15
14520-KPL-840	E-5	17253-KTP-900	F-15

PART NO	BLOCK	PART NO	BLOCK
17500-AAL-H00	F-13	28253-KVT-900	E-12
17505-KTP-900	F-13	28255-KPL-900	E-12
17515-KTP-900	F-13	28255-KPL-900	E-12
17525-KTP-900	F-13	28281-GCC-000	E-12
17620-KRP-980	F-13	28281-GCC-000	E-12
17632-383-831	F-13	28300-KVT-900	F-17
17683-KPL-900	F-13	30100-AAL-001	F-22
17684-KPL-840	F-13	30158-GW3-980	F-3
17910-KTP-900	F-3	30401-AAL-00099	F-22
17920-KTP-305	F-3	30410-AAL-00099	F-22
17950-KPL-900	F-3	30510-AAL-00099	F-22
18292-KTP-900	F-16	30604-KTP-890	F-22
18292-GY1-610	F-16	30604-KTP-890	F-22
18292-GY1-610	F-16	30605-KTP-951	F-22
18293-KTP-900	F-16	30700-KTP-951	F-22
18300-AAL-300	F-16	30700-KTP-951	F-22
18318-AAL-000	F-16	31110-KTP-890	E-8
18319-KRP-900	F-16	31120-KTP-890	E-8
19510-KTP-900	E-8	31204-KTP-890	E-10
19510-KTP-900	E-8	31206-KTP-890	E-10
19610-KPL-840	E-1	31210-KTP-890	E-10
19621-KTP-900H	E-1	31211-KTP-890	E-10
19623-KPL-900	E-1	31212-KTP-890	E-10
19623-KPL-900	E-1	31214-KTP-890	E-10
19625-KPL-840	E-1	31500-KRP-801	F-21
19631-KTP-900	E-1	31500-KRP-801	F-21
19639-GBC-000	E-1	31600-KTP-891	F-22
19639-GBC-000	E-1	31917-AAC-H00	E-3
21200-KTP-900	E-14	32100-AAL-300	F-22

21395-GFC-901	E-14	32105-KTP-891	E-10
22100-KPL-900	E-13	32105-KTP-891	E-10
22102-AAL-400	E-12	32108-GW6-700	F-22
22105-KPL-900	E-12	32603-KPL-780	F-22
22109-KTP-900	E-12	32603-KPL-780	F-22
22110-KPL-900	E-12	32907-KPL-900	E-8
22121-KTP-900	E-12	32907-KPL-900	E-8
22131-KPL-900	E-12	32976-107-010	E-8
22132-KPL-900	E-12	32976-107-010	E-8
22350-KPL-900	E-13	33108-AAB-000	F-1
22401-KTP-901	E-13	33120-AAL-001	F-1
22535-KPL-901	E-13	33126-AAL-001	F-1
22804-148-000	E-13	33128-GFC-890	F-1
22804-148-000	E-13	33130-AAL-301	F-1
23100-AAW-001	E-13	33301-AAB-401	F-1
23205-KRP-982	E-13	33405-AAL-301	F-19
23224-KRP-980	E-13	33410-AAL-001	F-19
23225-KPL-900	E-13	33455-AAL-301	F-19
23226-KPL-900	E-13	33460-AAL-001	F-19
23233-KPL-900	E-13	33710-AAL-001	F-20
23237-KPL-900	E-13	33715-GB0-900	E-1
23238-KPL-900	E-13	33715-AAL-301	F-20
23411-KPL-900	E-14	33715-965-000	F-21
23421-GCC-000	E-14	33741-AAN-601	F-9
23422-GCC-000	E-14	33741-AAN-601	F-9
23422-GCC-000	E-14	33741-AAM-101	F-14
23430-KPL-901	E-14	33741-AAM-101	F-14
28120-KPL-901	E-10	34901-KSP-910	F-1
28120-KPL-901	E-10	34901-KSP-910	F-1
28150-KPL-900	E-10	34906-AAN-601	F-20

28223-GCC-000	E-12	34906-AAN-601	F-20
28223-GCC-000	E-12	34908-KVE-900	F-2
28230-KVT-900	E-12	34908-AAB-401	F-19
28250-KVT-900	E-12	34908-AAB-401	F-19
28253-KVT-900	E-12	34908-AAB-401	F-20

PART NO	BLOCK	PART NO	BLOCK
34908-AAB-401	F-20	44610-KTP-900	F-10A-LX
34909-KVE-900	F-2	44620-KTP-900	F-10-VX
35010-AAL-000	F-22	44620-KTP-900	F-10A-LX
35100-AAL-001	F-22	44805-KTP-900	F-10-VX
35121-AAL-001	F-22	44805-KTP-900	F-10A-LX
35122-AAL-001	F-22	44809-170-000	F-10-VX
35160-KTP-890	F-3	44809-170-000	F-10-VX
35170-KTP-890	F-3	44809-170-000	F-10A-LX
35180-KTP-890	F-3	44809-170-000	F-10A-LX
35200-KTP-890	F-3	44809-170-000	F-10A-LX
35340-KTP-890	F-3	44810-KTC-900	F-10-VX
35340-KTP-890	F-3	44810-KTC-900	F-10-VX
37200-AAL-301	F-2	44810-KTC-900	F-10A-LX
37210-AAL-301	F-2	44810-KTC-900	F-10A-LX
37211-AAL-001	F-2	44811-KPL-900	F-10-VX
37215-AAL-001	F-20	44811-KPL-900	F-10A-LX
37216-KCJ-710	F-2	44830-KTP-900	F-2
37220-AAL-301	F-2	44831-KTP-900	F-2
37224-AAL-301	F-2	45010-AAL-010	F-10-VX
37305-GW3-780	F-2	45010-AAL-010	F-10A-LX
37800-AAL-301	F-13	45125-AAH-F0099	F-10-VX
37801-GA7-700	F-13	45125-AAH-F0099	F-10A-LX
37801-GA7-700	F-13	45125-AAH-F0099	F-11-VX
37802-GA7-700	F-13	45125-AAH-F0099	F-11A-LX
37802-GA7-700	F-13	45133-KCC-900	F-10-VX
38110-AAL-301	F-22	45133-KCC-900	F-10-VX
38301-KWH-961	F-22	45133-KCC-900	F-10A-LX
38306-GE7-000	F-22	45133-KCC-900	F-10A-LX
38306-GE7-000	F-22	45133-KCC-900	F-11-VX
		45133-KCC-900	F-11-VX

38501-KTP-890	F-22	45133-KCC-900	F-11A-LX
38506-KPL-900	F-22	45133-KCC-900	F-11A-LX
42601-AAL-010	F-11-VX	45134-250-000	F-10-VX
42610-KPL-900	F-11A-LX	45134-250-000	F-10-VX
42702-KPL-900	F-10A-LX	45134-250-000	F-10A-LX
42702-KPL-900	F-11A-LX	45134-250-000	F-10A-LX
42711-AAL-00099	F-10-VX	45141-AAL-100	F-10-VX
42711-AAL-00099	F-10-VX	45141-AAL-100	F-10A-LX
42711-AAL-00099	F-10A-LX	45145-KPL-900	F-10-VX
42711-AAL-00099	F-10A-LX	45145-KPL-900	F-10A-LX
42711-AAL-00099	F-11-VX	45410-AAL-100	F-10-VX
42711-AAL-00099	F-11-VX	45410-AAL-100	F-10A-LX
42711-AAL-00099	F-11A-LX	45435-GB2-720	F-10-VX
42711-AAL-00099	F-11A-LX	45435-GB2-720	F-10-VX
42753-AAL-001	F-10-VX	45435-GB2-720	F-10A-LX
42753-AAL-001	F-10A-LX	45435-GB2-720	F-10A-LX
42753-AAL-001	F-11-VX	45440-AAL-100	F-3
42753-AAL-001	F-11A-LX	45450-AAL-100	F-3
43141-AAL-100	F-11-VX	45456-AAL-100	F-10-VX
43141-AAL-100	F-11A-LX	45459-AAL-100	F-10-VX
43410-AAL-100	F-11-VX	50100-AAL-000	F-23
43410-AAL-100	F-11A-LX	50301-KEM-900	F-9
43450-KTP-900	F-3	50301-KEM-900	F-9
43455-AAL-100	F-10-VX	50302-KPL-900	F-9
43472-KPL-900	F-11-VX	50302-KPL-900	F-9
43472-KPL-900	F-11-VX	50306-KPL-900	F-9
43472-KPL-900	F-11A-LX	50306-KPL-900	F-9
43472-KPL-900	F-11A-LX	50330-KTP-950	F-21
44301-KPL-900	F-10-VX	50338-KTP-950	F-21
44301-KPL-900	F-10A-LX	50345-KTP-950	F-21

44311-KPL-900	F-10-VX	50352-GW0-730	F-23
44311-KPL-900	F-10-VX	50352-GW0-730	F-23
44311-KPL-900	F-10A-LX	50355-KPL-900	F-23
44311-KPL-900	F-10A-LX	50500-AAL-400	F-17
44601-AAL-010	F-10-VX	50501-KTP-900	E-11

PART NO	BLOCK	PART NO	BLOCK
50501-KTP-900	E-11	53209-GAH-000	F-1
50503-GCC-000	F-17	53209-GAH-000	F-1
50503-GCC-000	F-17	53210-KTP-900	F-9
50507-AAB-400	F-17	53210-KTP-900	F-9
50507-AAB-400	F-17	53211-KEM-900	F-9
50508-AAL-300	F-17	53211-KEM-900	F-9
50509-AAL-300	F-17	53212-250-010	F-9
50530-KTP-900	F-17	53212-250-010	F-9
50536-KPL-900	F-17	53214-250-000	F-9
50536-KPL-900	F-17	53214-250-000	F-9
50621-KTP-900	F-7	53215-KPL-900	F-9
50710-KTP-900	F-7	53215-KPL-900	F-9
50711-KTP-900	F-7	53215-KTP-900	F-9
50712-KTP-900	F-7	53215-KTP-900	F-9
50715-KE8-000	F-7	61104-428-000	F-6
50715-KTP-900	F-7	61104-428-000	F-6
50731-KV3-770	F-15	61105-AAL-000R	F-5
50731-KV3-770	F-15	61105-AAL-000S	F-5
51103-AAL-000	F-9	61105-AAL-000T	F-5
51104-AAL-000	F-9	61105-AAL-000U	F-5
51105-AAL-000	F-9	61105-AAL-000V	F-5
51314-KPL-900	F-9	61105-AAL-000W	F-5
51315-AAL-002	F-9	61105-AAL-000X	F-5
51316-KPL-900	F-9	61105-AAL-000Z	F-5
51334-KPL-900	F-9	61110-KTP-900	F-5
51400-KRP-982	F-9	61335-AAL-000	F-6
51401-KRP-981	F-9	61345-AAL-000	F-6
51410-KRP-981	F-9	64200-AAL-000R	F-6
51413-GC8-003	F-9	64200-AAL-000S	F-6

51414-GC8-003	F-9	64200-AAL-000T	F-6
51415-AAL-002	F-9	64200-AAL-000U	F-6
51421-KRP-981	F-9	64200-AAL-000V	F-6
51458-GC8-003	F-9	64200-AAL-000W	F-6
51486-GC8-003	F-9	64200-AAL-000X	F-6
51486-KRP-981	F-9	64200-AAL-000Y	F-6
51500-KRP-982	F-9	64200-AAL-000Z	F-6
51510-KRP-981	F-9	64303-KTP-900	F-6
51516-GC8-003	F-9	64305-AAL-000V	F-6
52400-KTP-901	F-18	64305-AAL-000W	F-6
52475-KRP-981	F-9	64305-AAL-000X	F-6
52485-088-901	F-18	64305-AAL-000Z	F-6
52485-088-901	F-18	64310-198-D20A	F-6
52486-GA7-003	F-18	64310-198-D20A	F-6
52486-GA7-003	F-18	64310-AAL-000	F-7
52489-331-003	F-9	64320-AAL-000R	F-7
53100-AAL-400	F-4	64320-AAL-000S	F-7
53140-KTP-900	F-3	64320-AAL-000T	F-7
53166-KTP-900	F-3	64320-AAL-000U	F-7
53167-KPL-900	F-3	64320-AAL-000V	F-7
53168-KTP-900	F-3	64320-AAL-000W	F-7
53172-AAL-100	F-3	64320-AAL-000X	F-7
53173-KPL-900	F-3	64320-AAL-000Z	F-7
53173-KPL-900	F-3	64330-AAL-000R	F-7
53175-KTP-900	F-3	64330-AAL-000S	F-7
53178-AAL-100	F-3	64330-AAL-000T	F-7
53178-AAL-100	F-3	64330-AAL-000U	F-7
53181-AAL-100	F-3	64330-AAL-000V	F-7
53182-AAL-100	F-3	64330-AAL-000W	F-7
53183-GW3-980	F-3	64330-AAL-000X	F-7

53206-AAL-000	F-4	64330-AAL-000Z	F-7
53207-AAL-000X	F-4	64350-AAL-000R	F-6
53207-AAL-000W	F-4	64350-AAL-000S	F-6
53207-AAL-000Y	F-4	64350-AAL-000T	F-6
53207-AAL-000Z	F-4	64350-AAL-000U	F-6

PART NO	BLOCK	PART NO	BLOCK
64350-AAL-000V	F-6	83702-AAL-000R	F-8
75581-673-000	F-8	83702-AAL-000S	F-8
75581-673-000	F-8	83702-AAL-000T	F-8
75581-673-000	F-27	83702-AAL-000U	F-8
75581-673-000	F-27	83702-AAL-000V	F-8
77115-KTP-900	F-12	83702-AAL-000W	F-8
77200-AAL-H00	F-12	83702-AAL-000X	F-8
77206-KG8-900	F-12	83702-AAL-000Z	F-8
77206-KG8-900	F-12	84703-425-000	F-6
77210-KTP-900	F-12	86102-AAL-000R	F-26
77232-AAL-000	F-22	86103-AAL-000R	F-26
77235-AAL-000	F-12	86104-AAL-000R	F-26
77236-GBL-000	F-12	86104-AAL-000S	F-26
77236-GBL-000	F-12	86104-AAL-000T	F-26
77240-AAL-000	F-12	86104-AAL-000U	F-26
77251-KPL-900	F-12	86104-AAL-000V	F-26
77300-AAL-200	F-23	86104-AAL-000W	F-26
80102-KTP-900	F-23	86104-AAL-000X	F-26
80104-KTP-900	F-14	86104-AAL-000Z	F-26
80105-AAL-000	F-14	86105-AAL-000R	F-26
80106-AAL-000	F-14	86105-AAL-000S	F-26
80151-KTP-900	F-8	86105-AAL-000T	F-26
81130-AAL-000	F-27	86105-AAL-000U	F-26
81131-AAL-000	F-6	86105-AAL-000V	F-26
81131-AAL-000	F-27	86105-AAL-000W	F-26
81134-AAL-000	F-27	86105-AAL-000X	F-26
81135-AAL-000	F-27	86105-AAL-000Z	F-26
81137-AAL-000	F-27	86211-AAL-000R	F-26
81138-AAL-000	F-27	86211-AAL-000S	F-26

81141-AAL-000	F-27	86211-AAL-000T	F-26
81143-AAW-300	F-27	86211-AAL-000U	F-26
81250-KTP-900	F-12	86211-AAL-000V	F-26
81252-KTP-900	F-12	86211-AAL-000W	F-26
81255-KTP-900	F-12	86211-AAL-000Y	F-26
81257-AAY-100	F-4	86211-AAL-000Z	F-26
82871-KTP-900	E-1	86217-AAL-000R	F-26
83450-AAL-000R	F-8	86217-AAL-000S	F-26
83450-AAL-000S	F-8	86221-AAL-000R	F-26
83450-AAL-000T	F-8	86221-AAL-000S	F-26
83450-AAL-000U	F-8	86221-AAL-000T	F-26
83450-AAL-000V	F-8	86221-AAL-000U	F-26
83450-AAL-000W	F-8	86221-AAL-000V	F-26
83450-AAL-000X	F-8	86231-AAL-000R	F-26
83450-AAL-000Z	F-8	86231-AAL-000S	F-26
83508-KPL-900	F-8	86231-AAL-000T	F-26
83520-KTP-900	FOP-1	86231-AAL-000U	F-26
83550-AAL-000R	F-8	86231-AAL-000V	F-26
83550-AAL-000S	F-8	86351-AAL-000R	F-26
83550-AAL-000T	F-8	86361-AAL-000R	F-26
83550-AAL-000U	F-8	86836-AAD-H70ZA	F-26
83550-AAL-000V	F-8	86836-AAD-H70ZA	F-26
83550-AAL-000W	F-8	87101-AAL-H30ZA	F-26
83550-AAL-000X	F-8	87503-AAL-300	F-25
83550-AAL-000Z	F-8	87505-AAL-100	F-25
83551-GE2-000	F-7	87541-AAW-300	E-1
83551-GE2-000	F-7	87541-AAW-300	F-25
83701-AAL-000R	F-8	87560-MZ0-670	F-25
83701-AAL-000S	F-8	88110-AAL-000X	F-3
83701-AAL-000T	F-8	88110-AAL-000W	F-3

83701-AAL-000U	F-8	88110-AAL-000V	F-3
83701-AAL-000V	F-8	88110-AAL-000Z	F-3
83701-AAL-000W	F-8	88113-KRP-901	F-3
83701-AAL-000X	F-8	88120-AAL-000X	F-3
83701-AAL-000Z	F-8	88120-AAL-000W	F-3

PART NO	BLOCK	PART NO	BLOCK
88120-AAL-000V	F-3	90164-KPL-900	F-22
88120-AAL-000Z	F-3	90201-GCC-000	E-3
89102-538-000	F-24	90202-KPL-900	E-13
89103-538-000	F-24	90202-KPL-900	E-13
89216-AAD-H00	F-24	90206-001-000	E-4
89216-KTP-900	F-24	90206-001-000	E-4
89218-AAL-H00	F-24	90301-KTP-900	F-14
90001-KPL-900	E-9	90304-KPL-900	F-3
90005-KY7-000	E-5	90304-KCS-920	F-4
90005-KY7-000	E-5	90304-KCS-920	F-4
90008-AAL-300	E-15	90304-KCS-920	F-17
90012-333-000R	E-4	90304-KCS-920	F-17
90012-333-000R	E-4	90304-KCS-920	F-23
90017-KPL-900	E-2	90304-KCS-920	F-23
90017-KPL-900	E-2	90305-KPL-900	F-11-VX
90031-AAL-000	E-7	90305-KPL-900	F-11-VX
90032-AAL-000	E-15	90305-KPL-900	F-11A-LX
90035-GW3-980	F-2	90305-KPL-900	F-11A-LX
90083-KRM-840	E-4	90306-KF0-000	F-10-VX
90083-KRM-840	E-4	90306-KF0-000	F-10-VX
90101-GJ6-000	F-1	90306-KF0-000	F-10A-LX
90101-GJ6-000	F-1	90306-KF0-000	F-10A-LX
90101-087-720	F-9	90306-KVT-941	F-21
90105-KJ9-000	F-23	90307-GJ6-000	F-1
90105-KJ9-000	F-23	90307-GJ6-000	F-1
90106-GCC-000	F-23	90308-KPL-840	F-16
90106-GCC-000	F-23	90309-KF0-000	F-9
90107-AAN-600	E-3	90309-KF0-000	F-10-VX
90109-SB6-000	F-8	90309-KF0-000	F-10A-LX

90109-SB6-000	F-8	90309-KF0-000	F-11-VX
90109-KPL-900	F-17	90309-KF0-000	F-11A-LX
90110-KPL-900	F-10-VX	90312-KTP-900	F-16
90110-KPL-900	F-10A-LX	90401-GCC-000	E-3
90110-KPL-900	F-11-VX	90410-GCC-000	E-8
90110-KPL-900	F-11A-LX	90410-GCC-000	E-8
90111-KPL-900	F-5	90412-329-000	E-12
90111-KPL-900	F-5	90412-329-000	E-12
90111-KPL-900	F-6	90426-KBN-900	E-12
90111-KPL-900	F-6	90442-KPL-900	E-13
90111-KPL-900	F-7	90443-KPL-900	F-9
90111-KPL-900	F-7	90451-KVT-900	E-12
90111-KPL-900	F-14	90451-KVT-900	E-12
90111-KPL-900	F-14	90474-333-000	E-15
90111-KPL-900	F-27	90501-KPL-900	F-11-VX
90111-KPL-900	F-27	90501-KPL-900	F-11-VX
90112-KTP-900	F-11-VX	90501-KPL-900	F-11A-LX
90112-KTP-900	F-11-VX	90501-KPL-900	F-11A-LX
90112-KTP-900	F-11A-LX	90505-KY4-900	F-23
90112-KTP-900	F-11A-LX	90543-MV9-670	E-2
90112-KRP-900	F-12	90543-MV9-670	E-2
90112-KRP-900	F-12	90601-KPL-900	E-13
90113-KTP-900	F-5	90602-KPL-900	E-2
90115-KPL-900	F-3	90602-KPL-900	F-15
90116-KTP-900	F-4	90603-KPL-900	E-13
90116-KTP-900	F-6	90608-KVT-901	E-12
90116-KTP-900	F-7	90608-KVT-901	E-12
90116-KTP-900	F-8	90662-KPL-901	F-22
90116-KTP-900	F-12	90672-KPL-901	E-1
90116-KTP-900	F-27	90672-KPL-901	F-23

90117-KTP-900	F-7	90677-KAN-961	F-6
90121-KTP-900	F-9	90677-KAN-961	F-7
90122-KVT-941	F-21	90677-KAN-961	F-8
90134-GM8-000	F-3	90677-KAN-961	F-12
90135-KGF-900	F-3	90677-KAN-961	F-20

PART NO	BLOCK	PART NO	BLOCK
90677-KAN-961	F-27	91307-035-000	E-7
90683-GAZ-930	F-8	91307-035-000	E-7
90701-GF6-000	E-3	91307-639-000	E-7
90701-GF6-000	E-3	91307-639-000	E-7
90701-GF6-000	E-6	91309-KTP-890	E-10
90701-GF6-000	E-6	91351-642-000	E-13
90701-GF6-000	E-9	91351-GR1-000	E-13
90701-GF6-000	E-9	91351-GR1-000	E-13
90701-GF6-000	E-11	91351-KPL-900	F-9
90701-GF6-000	E-11	91352-GAZ-930	F-2
90701-GF6-000	E-14	91405-KPL-900	F-23
90701-GF6-000	E-14	92000-06016-0A	F-14
90741-KPL-900	E-16	92000-06016-0A	F-14
90741-KPL-900	E-16	92201-08032-0A	F-18
90754-KPL-900	F-10-VX	92800-12000-00	E-7
90754-KPL-900	F-10-VX	92800-12000-00	E-7
90754-KPL-900	F-10A-LX	92900-06016-0B	E-3
90754-KPL-900	F-10A-LX	92900-06016-0B	E-3
90862-GCC-000	F-23	93401-06020-00	F-3
90862-GCC-000	F-23	93404-06020-00	E-1
90901-KPL-900	F-9	93404-06012-00	F-7
90912-KPL-900	F-10-VX	93404-06012-00	F-7
90912-KPL-900	F-10-VX	93404-06012-00	F-12
90912-KPL-900	F-10A-LX	93404-06012-00	F-12
90912-KPL-900	F-10A-LX	93404-06012-00	F-13
90912-KPL-900	F-11-VX	93404-06012-00	F-13
90912-KPL-900	F-11-VX	93404-06040-07	F-15
90912-KPL-900	F-11A-LX	93404-06016-07	F-16
90912-KPL-900	F-11A-LX	93404-06012-00	F-20

91001-GCC-000	E-16	93404-06012-00	F-20
91001-GCC-000	E-16	93412-05012-08	E-10
91002-GCC-000	E-16	93500-05010-1A	F-6
91002-GCC-000	E-16	93500-04025-0G	F-15
91004-AAL-00099	E-15	93500-04025-0G	F-15
91006-GAZ-980	E-13	93500-04025-0G	F-23
91009-GW3-980	E-14	93500-04025-0G	F-23
91009-GW3-980	E-14	93600-05016-0G	F-8
91101-AAC-H40	E-16	93600-05016-0G	F-8
91102-AAC-H40	E-16	93891-05025-07	F-4
91103-GAZ-980	E-13	93892-04006-08L	E-10
91103-AAC-H40	E-16	93892-04010-18	E-17
91201-KPL-901	E-7	93892-04018-08	E-17
91201-KPL-901	E-7	93901-34120	E-9
91202-KTP-900	E-15	93901-22420	F-20
91202-KTP-900	E-15	93903-25380	E-1
91203-KPL-901	E-14	93903-34120	E-2
91203-KPL-901	E-14	93903-34120	E-11
91204-KPL-901	E-15	93903-24420	F-2
91211-GK8-013	E-13	93903-25380	F-2
91211-GK8-013	E-13	93903-22480	F-2
91253-KPL-900	F-10-VX	93903-34480	F-4
91255-KPL-901	E-14	93903-34420	F-6
91255-KPL-901	E-14	93903-34420	F-8
91301-HM5-630	E-5	93903-24480	F-14
91301-HM5-630	E-5	93903-25480	F-14
91301-053-000	E-14	93903-25480	F-15
91301-053-000	E-14	93903-24380	F-19
91302-001-020	E-15	93903-24380	F-19
91302-001-020	E-15	93903-34420	F-19

91304-GB0-910	E-3	93903-25380	F-27
91304-GB1-900	E-3	94001-12200-0S	E-12
91304-GB1-900	E-3	94001-08000-0S	F-9
91306-105-690	E-5	94001-08000-0S	F-9
91306-105-690	E-5	94002-10070-0S	F-3

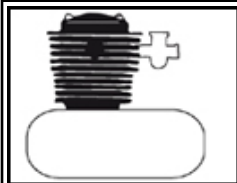
PART NO	BLOCK	PART NO	BLOCK
94021-08000-0S	FOP-1	95701-06022-00	E-5
94050-10000	E-8	95701-06022-00	E-7
94050-10000	E-8	95701-06022-00	E-7
94050-10000	E-13	95701-06055-00	E-7
94050-10000	E-13	95701-06055-00	E-7
94050-06000	F-6	95701-06080-00	E-7
94050-06000	F-6	95701-06080-00	E-7
94050-06000	F-10-VX	95701-06115-00	E-7
94050-06000	F-10-VX	95701-06115-00	E-7
94050-06000	F-10A-LX	95701-06016-00	E-8
94050-06000	F-10A-LX	95701-06016-00	E-8
94050-06000	F-12	95701-06030-00	E-14
94050-06000	F-12	95701-06040-00	E-14
94050-06000	F-14	95701-06040-00	E-14
94050-06000	F-14	95701-08012-00	E-15
94050-08000	F-23	95701-06025-00	F-6
94050-08000	F-23	95701-06032-00	F-10-VX
94101-05000	F-6	95701-06032-00	F-10A-LX
94101-06000	F-7	95701-08025-07	F-17
94101-06000	F-7	95701-06012-00	F-21
94101-06000	F-14	95701-06012-00	F-21
94101-06000	F-14	95701-06012-00	F-22
94101-06700	F-16	95701-06012-00	F-22
94101-08000	FOP-1	95701-06016-00	F-22
94101-08000	FOP-1	95701-06016-00	F-22
94102-10000	F-4	95701-08038-08	F-23
94102-12000	F-17	95801-10045-08	F-4
94103-05800	F-3	95801-08055-08	F-9
94109-12000	E-7	95801-10040-07	F-16

94109-12000	E-7	95801-10035-00	F-18
94201-16150	F-7	95801-08045-00	FOP-1
94201-16150	F-7	96001-06025-07	E-1
94201-25250	F-17	96001-06025-07	E-1
94201-25250	F-17	96001-06012-00	E-2
94301-08200	E-7	96001-06012-00	E-2
94301-08200	E-7	96001-06012-00	E-3
94303-03050	E-4	96001-06012-00	E-3
94520-32000	E-4	96001-06030-00	E-3
94520-32000	E-15	96001-06030-00	E-3
94520-52150	E-15	96001-06016-00	E-8
94520-52150	E-15	96001-06022-00	E-8
95002-02120	E-2	96001-06022-00	E-8
95002-02659	E-17	96001-06035-00	E-10
95002-02070	F-13	96001-06035-00	E-10
95002-02080	F-13	96001-06035-00	E-11
95002-02130	F-15	96001-06035-00	E-11
95005-35280-50	E-17	96001-06070-00	E-11
95015-81000	F-7	96001-06010-07	F-16
95015-32001	F-10A-LX	96001-06018-00	F-22
95015-32001	F-10A-LX	96001-06018-00	F-22
95015-42000	F-10A-LX	96001-06030-00	F-22
95015-42000	F-10A-LX	96001-06030-00	F-22
95015-32001	F-11-VX	96100-62010-00	E-14
95015-32001	F-11-VX	96100-62010-00	E-14
95015-42000	F-11-VX	96100-63010-00	E-14
95015-42000	F-11-VX	96100-63010-00	E-14
95015-32001	F-11A-LX	96100-62010-00	E-15
95015-32001	F-11A-LX	96100-62010-00	E-15
95015-42000	F-11A-LX	96100-62020-00	E-15

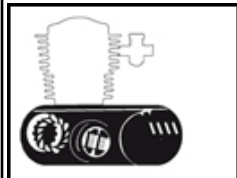
95015-42000	F-11A-LX	96100-62020-00	E-15
95018-40250	F-15	96211-05000	F-9
95701-06025-00	E-3	96211-08000	F-9
95701-06090-00	E-3	96211-08000	F-9
95701-06022-00	E-5	98200-31000	F-22






PART NO	BLOCK
98200-31000	F-22
99101-KPH-0780	E-17
99103-KTP-0380	E-17

BLOCK INDEX - GROUP Engine - Pleasure (May, 2016).












	E-1	SHROUD / FAN COVER	2
	E-2	CYLINDER HEAD COVER	4
	E-3	CYLINDER HEAD	6



	E-4	CAMSHAFT /VALVE	9
	E-5	CAM CHAIN TENSIONER	12
	E-6	CYLINDER	14
	E-7	RIGHT CRANK CASE	16
	E-8	GENERATOR	19



	E-9	OIL PUMP	21
	E-10	STARTING MOTOR	23
	E-11	LEFT CRANK CASE COVER	25
	E-12	DRIVE FACE	27
	E-13	DRIVEN FACE	30
	E-14	CASE MISSION /TRANSMISSION	33
	E-15	LEFT CRANK CASE	36
	E-16	CRANK SHAFT/PISTON	39
	E-17	CARBURETTOR	42

BLOCK INDEX - GROUP Frame - Pleasure (May, 2016).



F-1

HEAD LIGHT

45



F-2

METER

47



F-3

HANDLE LEVER/SWITCH/CABLE

49



F-4

STEERING HANDLE/HANDLE COVER

52



F-5

FRONT FENDER

54



F-6

FR. & INNER COVER

56



F-7

FLOOR PANEL

59



F-8

BODY COVER

62



F-9

STRG. STEM/FR. FORK

66



F-10-VX

FRONT WHEEL

70



F-10A-LX

SHEET METAL

73



F-11-VX

REAR WHEEL

76



F-11A-LX

SHEET METAL

79



F-12

SEAT / LUGGAGE BOX

82



F-13

FUEL TANK

85



F-14

REAR FENDER

87



F-15

AIR CLEANER

89



F-16

EXHAUST MUFFLER

92



F-17

ARM KICK START/MAIN STAND/STAND SIDE

94



F-18

REAR CUSHION

96



F-19

FRONT WINKER

98

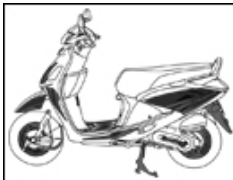


F-20

REAR COMBINATION LIGHT

100

BLOCK INDEX - GROUP Frame - Pleasure (May, 2016).



F-21

BATTERY

102

F-22

WIRE HARNESS

104

F-23

FRAME BODY

107



F-24

TOOLS

110

F-25

CAUTION LABEL

111

F-26

MARK/STRIPE

113

F-27

FR. INNER BOX

137

FOP-1

SARI STEP SET (OPTIONAL)

139