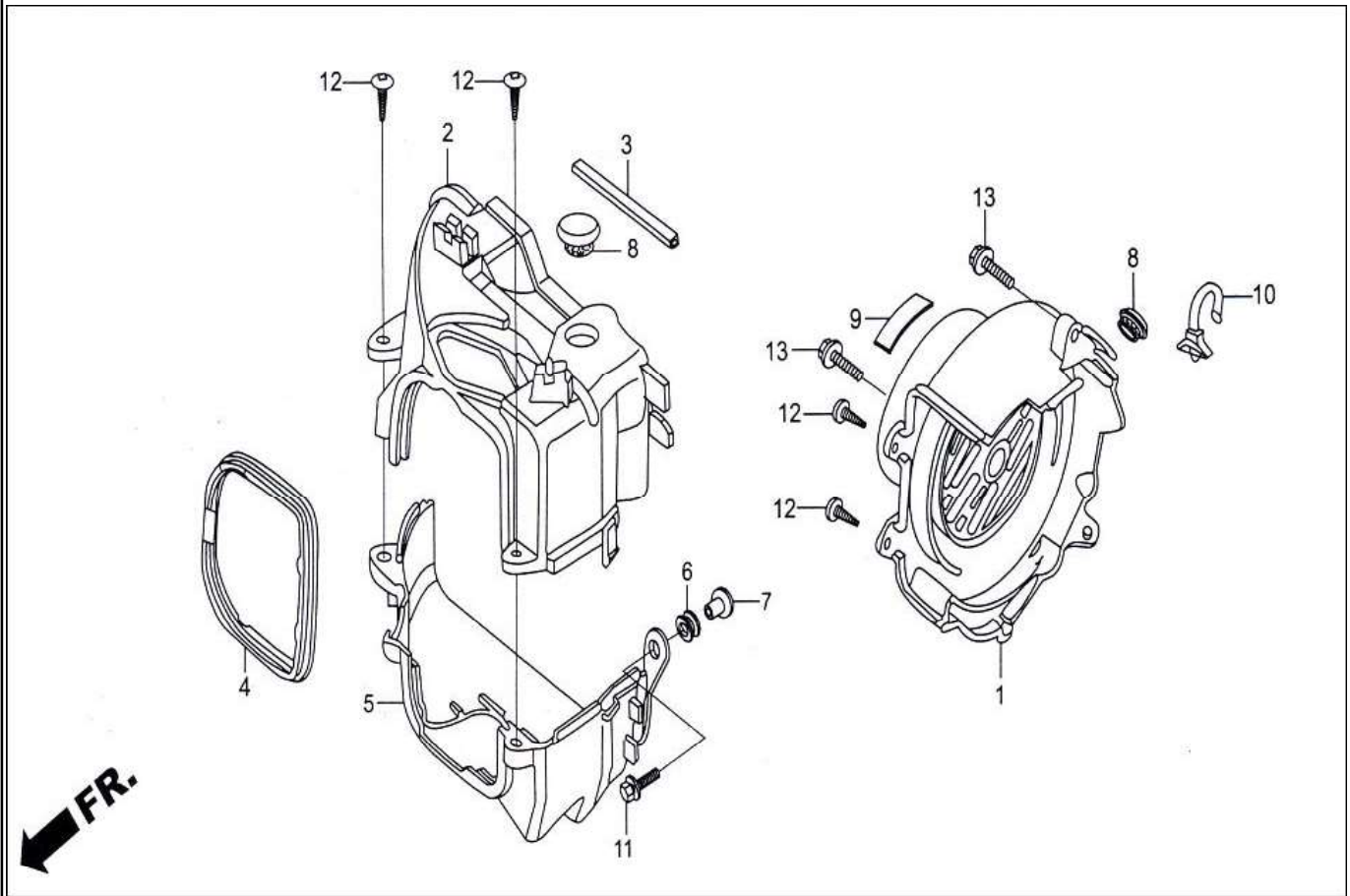


PARTS CATALOGUE

Pleasure (Mar, 2014)

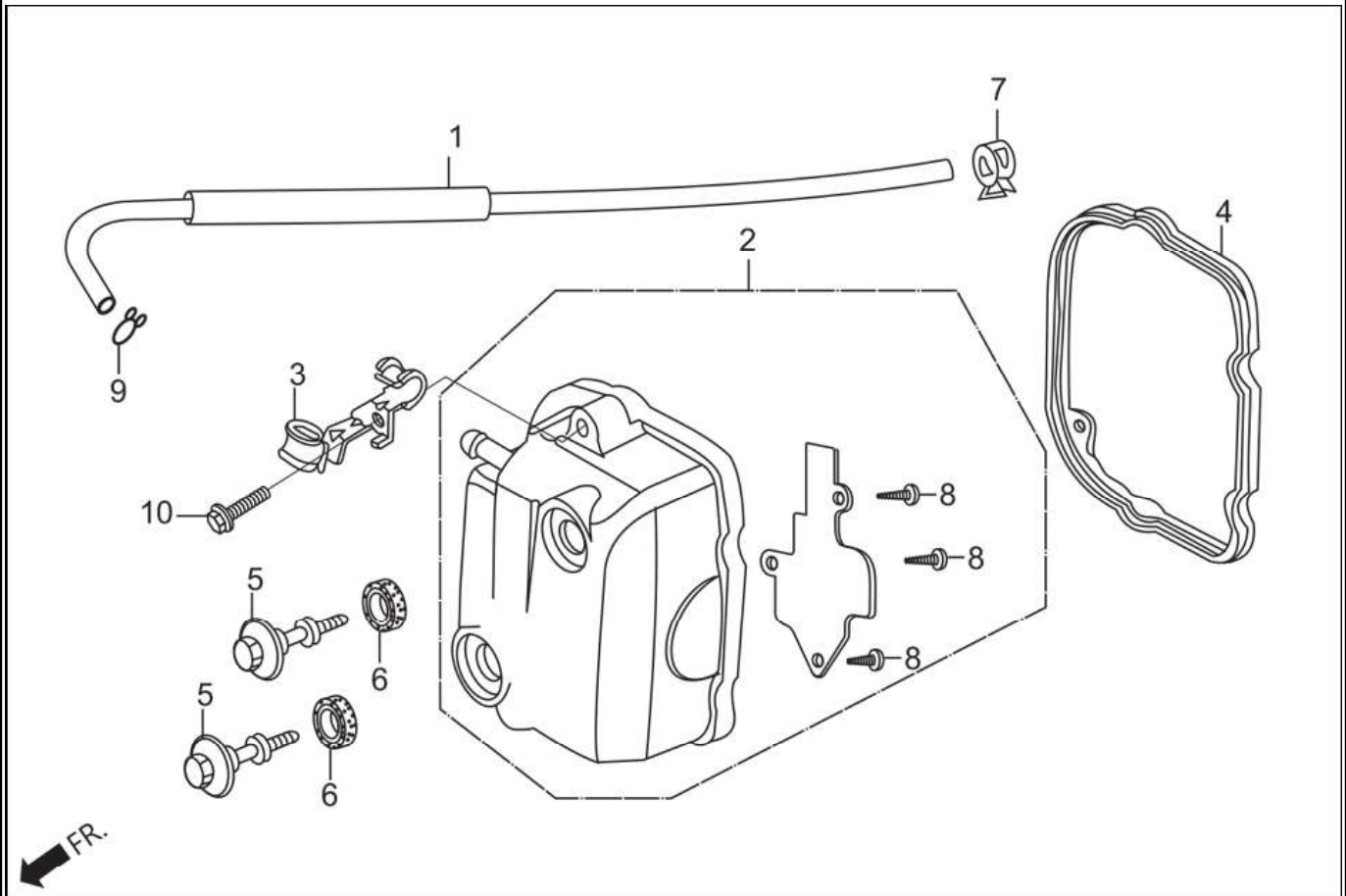
E-1 : SHOURD / FAN COVER



Group Number: E-1 Model :: Pleasure (Mar, 2014)

Ref No.	Part Number	Description	Req.
1	19610-KPL-840	FAN COVER, COMP.,	1
2	19621-KTP-900H	SHROUD,INLET	1
3	19623-KPL-900	SEAL RUBBER, IN SHROUD	1
4	19625-KPL-840	SEAL, SHROUD	1
5	19631-KTP-900	SHROUD, EXHAUST	1
6	19639-GBC-000	RUBBER , MOUNT	1
7	33715-GB0-900	COLLER, T/L SET	1
8	82871-KTP-900	GROMMET., DRAIN HOLE	2
9	87541-KTP-305	LABEL, OIL RECOMMENDATION	1
10	90672-KPL-901	BODY, CLIP	1
11	93404-06020-00	BOLT, WASH, 6 X 20	1
12	93903-25380	SCREW TAPPING 5X16	4
13	96001-06025-07	BOLT, FLANGE, SH. 6 X 25	2

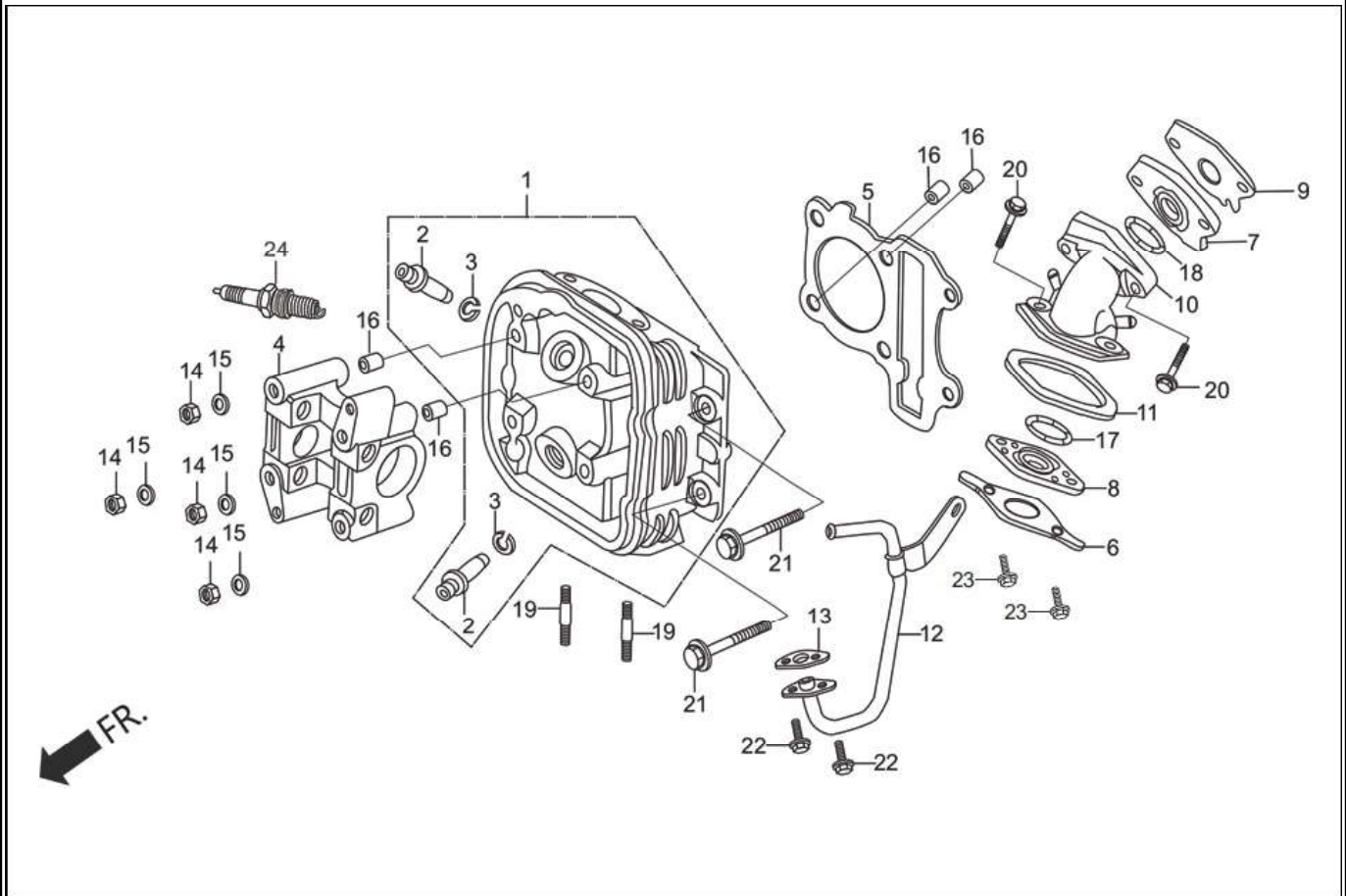
E-2 : CYLINDER HEAD COVER



Group Number: E-2 Model :: Pleasure (Mar, 2014)

Ref No.	Part Number	Description	Req.
1	11211-KTP-900	TUBE BREATHER	1
2	12310-KPL-840	COVER, COMP., HEAD	1
3	12315-KTP-900	CLAMPER THROTTLE CABLE	1
4	12391-KTP-900A	GASKET HEAD COVER	1
5	90017-KPL-900	BOLT, HEAD COVER	2
6	90543-MV9-670	RUBBER, MOUNT	2
7	90602-KPL-900	CLAMP, D12 TUBE	1
8	93903-34120	SCREW TAPPING 4 X 8	3
9	95002-02120	CLIP, TUBE(B12)	1
10	96001-06014-00	BOLT, FLANGE, SH. 6 X 14	1

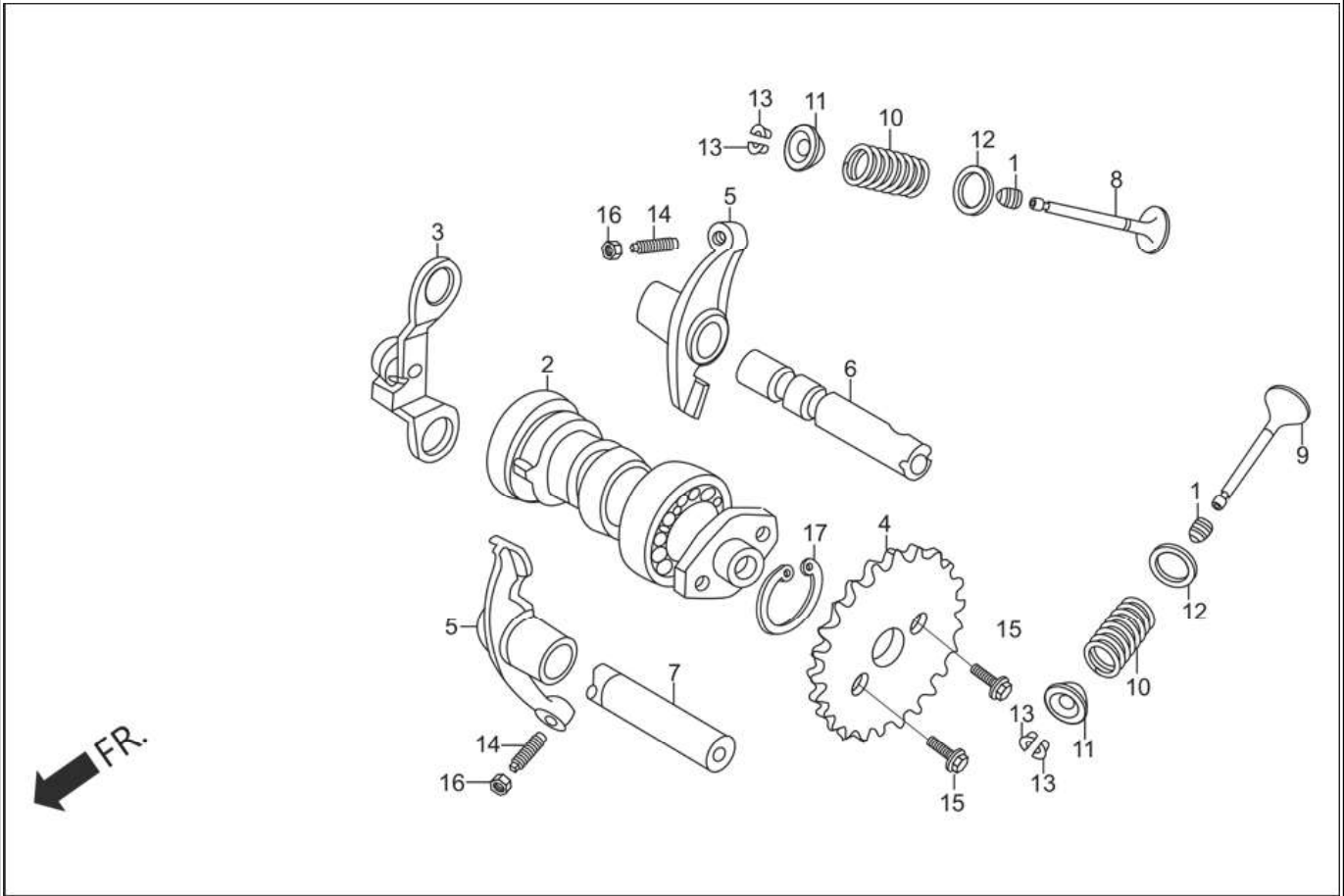
E-3 : CYLINDER HEAD



Group Number: E-3 Model :: Pleasure (Mar, 2014)

Ref No.	Part Number	Description	Req.
1	12200-KPL-901	HEAD COMP., CYLINDER	1
2	12204-KPL-P00	GUIDE VALVE	2
3	12206-KPL-900	CLIP VALVE GUIDE	2
4	12211-KTP-901	HOLDER CAM SHAFT	1
5	12251-KPL-840	GASKET CYLINDER HEAD	1
6	16201-AAL-00099	GASKET CARB INSULATOR B	1
7	16211-KPL-900	INSULATOR CARBURETOR A	1
8	16212-KTP-900	INSULATOR CARB. B	1
9	16229-AAL-00099	GASKET CARB INSULATOR A	1
10	17110-KPL-840	PIPE, COMP. INLET	1
11	17113-KPL-900	SEAL, RUBBER INLET PIPE	1
12	18640-KPL-900	PIPE COMP., AIR FEED	1
13	18645-MT4-730	GASKET, AIR FEED PIPE	1
14	90201-GCC-000	NUT HEX., 7MM	4
15	90401-GCC-000	WASHER 7.2X16X2.5	4
16	90701-GF6-000	PIN, DOWEL, 8 X 14	4
17	91304-GB0-910	O-RING 20.6X1.9	1
18	91304-GB1-900	O-RING, 25 X 2.4	1
19	92900-06016-0B	BOLT, STUD, 6X16	2
20	95701-06025-00	BOLT, FLANGE, 6X 25	2
21	95701-06090-00	BOLT FLANGE 6X90	2
22	96001-06016-00	BOLT, FLANGE SH. 6 X 16	2
23	96001-06025-07	BOLT, FLANGE, SH. 6 X 25	2
24	31917-AAC-H00	SPARK PLUG	1

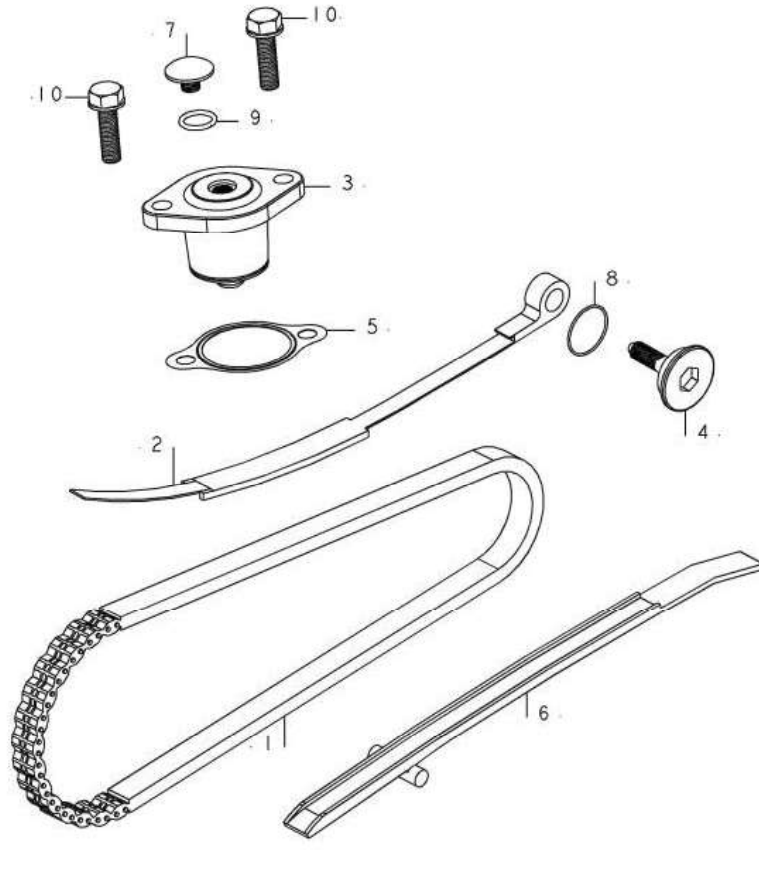
E-4 : CAM SHAFT / VALVE



Group Number: E-4 Model :: Pleasure (Mar, 2014)

Ref No.	Part Number	Description	Req.
1	12209-GB4-685	SEAL, VALVE STEM	2
2	14100-KTP-900	SHAFT COMP., CAM	1
3	14150-GCC-000	PLATE COMP., STOPPER	1
4	14321-KPL-900	SPROCKET, CAM, (34T)	1
5	14431-GCC-000	ARM, VALVE, ROCKER	2
6	14451-GCC-000	SHAFT IN, ROCKER ARM	1
7	14461-GCC-000	SHAFT EX., ROCKER ARM	1
8	14711-GCC-000	VALVE, INLET	1
9	14721-GCC-000	VALVE, EXHAUST	1
10	14751-KTP-900	SPRING, VALVE	2
11	14771-GB4-680	RETAINER, VALVE SPRING	2
12	14777-KN7-670	SEAT, VALVE SPRING	2
13	14781-MA6-000	COTTER, VALVE	4
14	90012-333-000R	SCREW, TAPPET ADJUSTING	2
15	90083-KRM-840	BOLT, KNOCK, 5 MM	2
16	90206-001-000	NUT, TAPPET ADJUSTING	2
17	94520-32000	CIRCLIP, IN, 32	1

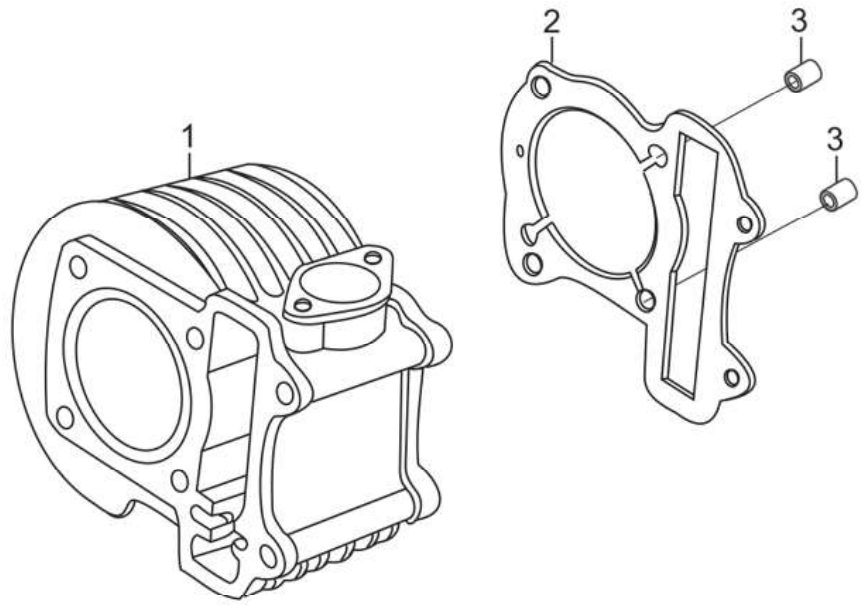
E-5 : CAM CHAIN TENSIONER



Group Number: E-5 Model :: Pleasure (Mar, 2014)

Ref No.	Part Number	Description	Req.
1	14401-KPL-900	CHAIN, CAM	1
2	14510-KPL-900	TENSIONER COMP., CAM CHAIN	1
3	14520-KPL-840	LIFTER ASSY., TENSIONER	1
4	14531-GCC-000	PIVOT CAM CHAIN TENSIONER	1
5	14560-KCW-880	GASKET TENSIONER LIFTER	1
6	14611-KTP-900	GUIDE, CAM CHAIN	1
7	90005-KY7-000	SCREW, PAN, 6X6	1
8	91301-HM5-630	O-RING, 15.2 X 1.5	1
9	91306-105-690	O-RING, 1.5 X 9.5	1
10	95701-06022-00	BOLT, FLANGE, SH. 6 X 22	2

E-6 : CYLINDER

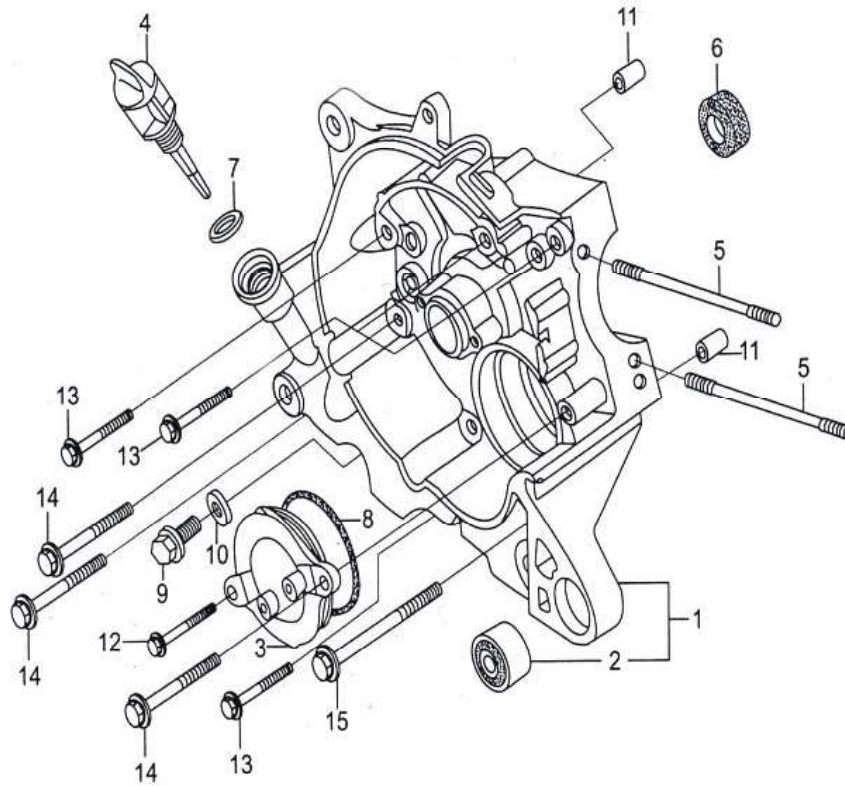


FR. ←

Group Number: E-6 **Model ::** Pleasure (Mar, 2014)

Ref No.	Part Number	Description	Req.
1	12101-KTP-900	CYLINDER	1
2	12191-AAL-00099	GASKET CYLINDER	1
3	90701-GF6-000	PIN, DOWEL, 8 X 14	2

E-7 : RIGHT CRANK CASE

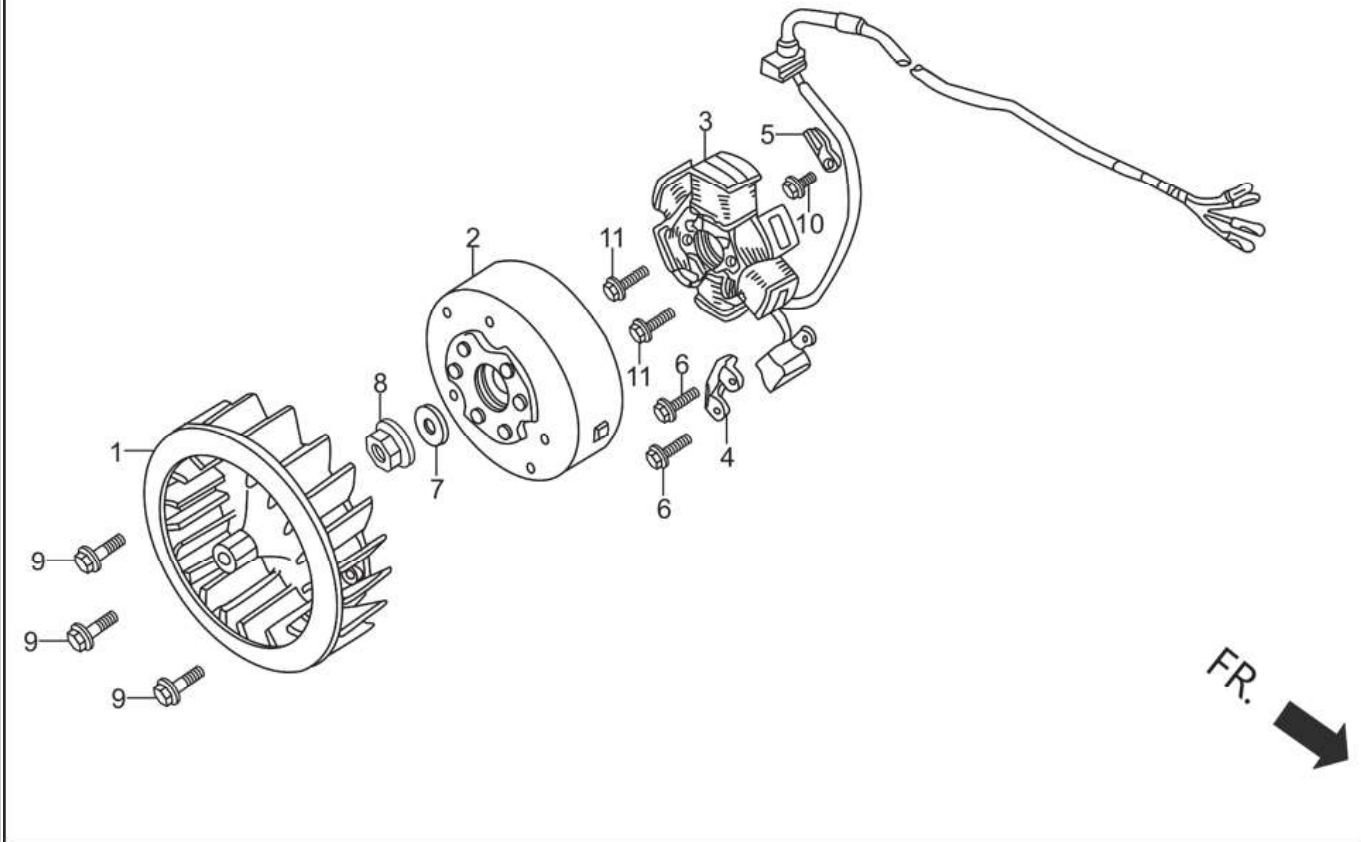


FR. →

Group Number: E-7 Model :: Pleasure (Mar, 2014)

Ref No.	Part Number	Description	Req.
1	11100-KTP-900	CRANK CASE COMP., R.	1
2	11102-GT8-B00	RUBBER BUSH, ENGINE HANGER	1
3	11361-KPL-900	COVER OIL PUMP	1
4	15651-KTP-900	GAUGE OIL LEVEL	1
5	90031-KPL-900	BOLT A STUD, 7X181	2
6	91201-KPL-901	OIL SEAL, 16X26X7	1
7	91307-035-000	O-RING, 18 X 3	1
8	91307-639-000	O-RING, 64X2	1
9	92800-12000-00	DRAIN PLUG BOLT	1
10	94109-12000	WASHER, PLUG, DRAIN	1
11	94301-08200	DOWEL PIN, 8X20	2
12	95701-06022-00	BOLT, FLANGE, SH. 6 X 22	1
13	95701-06055-00	BOLT FLANGE 6X55	4
14	95701-06080-00	BOLT FLANGE 6X80	3
15	95701-06115-00	BOLT FLANGE 6X115	1

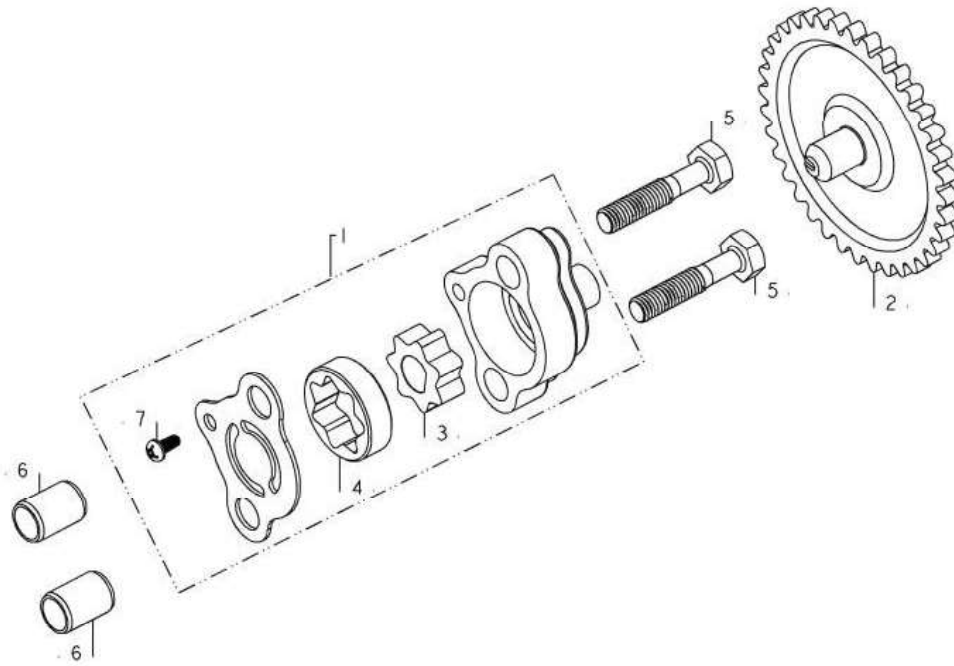
E-8 : GENERATOR



Group Number: E-8 Model :: Pleasure (Mar, 2014)

Ref No.	Part Number	Description	Req.
1	19510-KTP-900	FAN COMP., COOLING	1
2	31110-KTP-890	FLYWHEEL COMP., (DENSO)	1
3	31120-KTP-890	STATOR COMP.(DENSO)	1
4	32907-KPL-900	CLIP, ACG CORD	1
5	32976-107-010	CLAMPER, WIRE HARNESS	1
6	90083-KRM-840	BOLT, KNOCK, 5 MM	2
7	90410-GCC-000	WASHER, 10 MM	1
8	94050-10000	NUT, FLANGE, 10MM	1
9	95701-06016-00	BOLT, FLANGE, 6X16	3
10	96001-06016-00	BOLT, FLANGE SH. 6 X 16	1
11	96001-06022-00	BOLT, FLANGE, SH. 6 X 22	2

E-9 : OIL PUMP

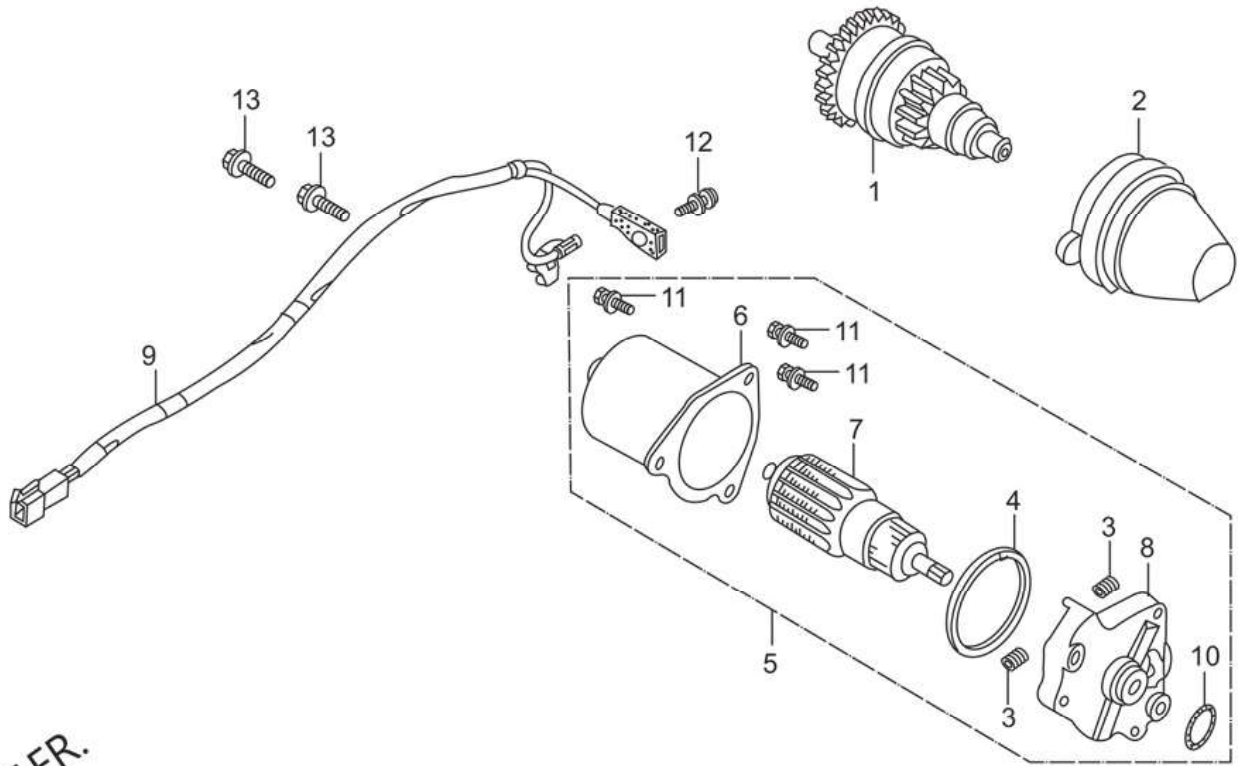


FR. →

Group Number: E-9 **Model ::** Pleasure (Mar, 2014)

Ref No.	Part Number	Description	Req.
1	15100-KTP-900	OIL PUMP ASSY	1
2	15133-GFC-901	GEAR, OIL PUMP DRIVEN	1
3	15331-436-000	ROTOR, OIL PUMP INNER	1
4	15332-436-000	ROTOR, OIL PUMP OUTER	1
5	90001-KPL-900	BOLT, HEX., 6X30	2
6	90701-GF6-000	PIN, DOWEL, 8 X 14	2
7	93901-34120	SCREW, TAPPING, 4X8	1

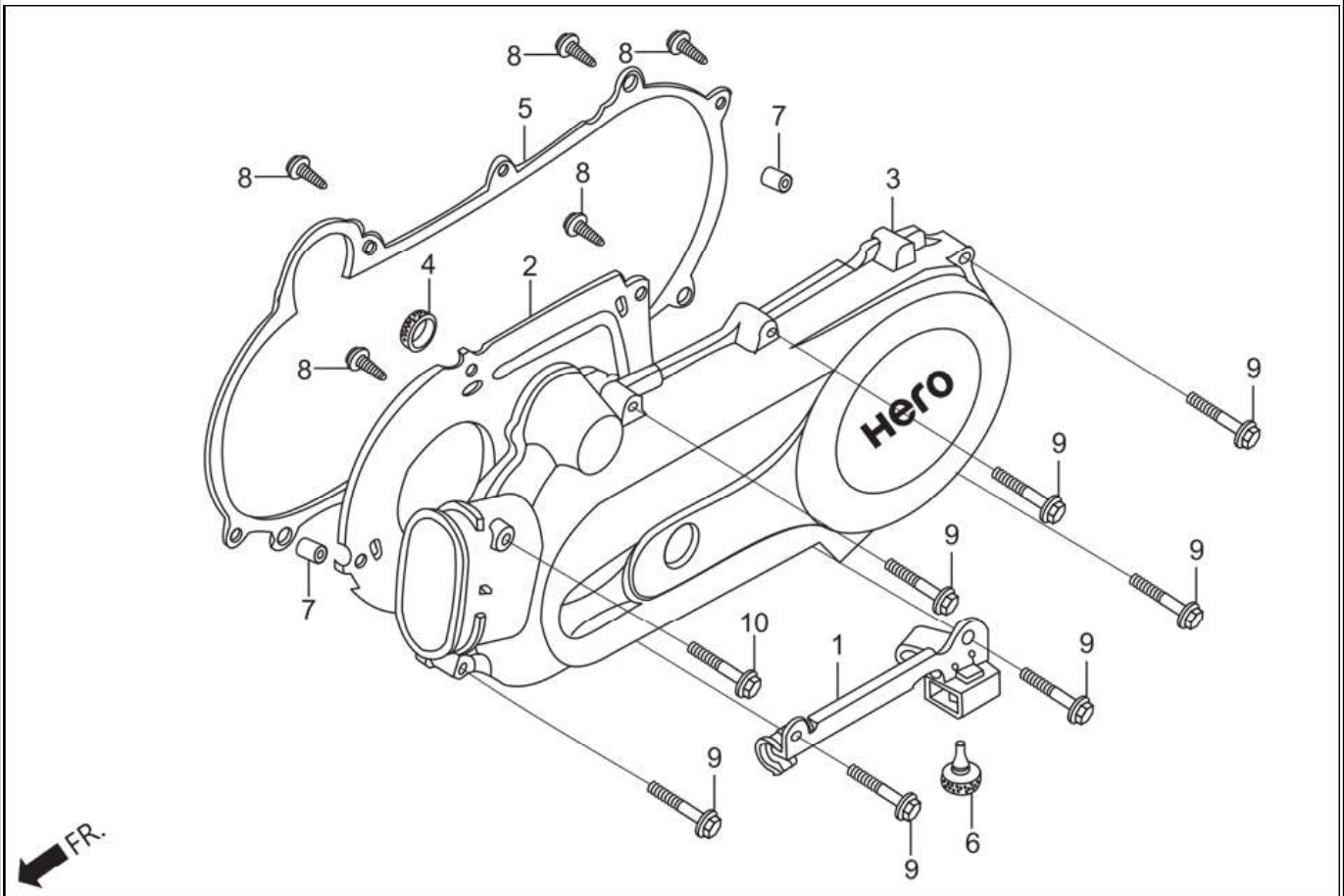
E-10 : STARTER MOTOR



Group Number: E-10 Model :: Pleasure (Mar, 2014)

Ref No.	Part Number	Description	Req.
1	28120-KPL-901	PINION ASSY., STARTER	1
2	28150-KPL-900	HOLDER COMP., STARTER PINION	1
3	31204-KTP-890	SPRING BRUSH (M/S-LUCAS TVS)	2
4	31206-KTP-890	PACKING (M/S-LUCAS TVS)	1
5	31210-KTP-890	MOTOR UNIT, START	1
6	31211-KTP-890	YOKE	1
7	31212-KTP-890	ARMATURE (M/S-LUCAS TVS)	1
8	31214-KTP-890	FRONT BRKT. COMP.	1
9	32105-KTP-891	HARNES COMP. STARTER MOTOR (M/S-LUCAS TVS)	1
10	91309-KTP-890	O-RING (M/S-LUCAS TVS)	1
11	93412-05012-08	BOLT WASH.5X12	3
12	93892-04006-08L	SCREW WASH 4X6	1
13	96001-06035-00	BOLT, FLANGE, SH. 6 X 35	2

E-11 : LEFT CRANK CASE COVER

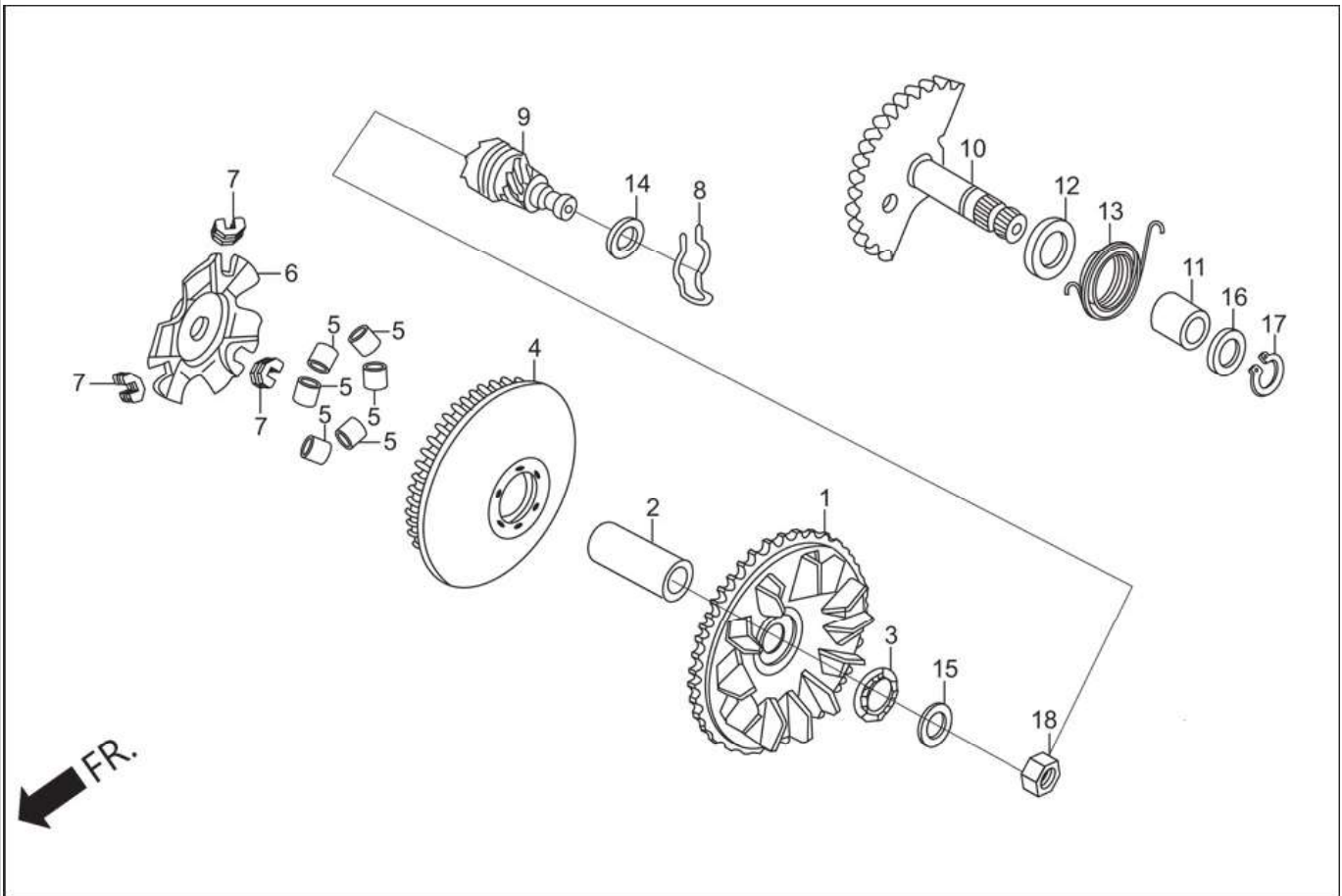


FR. ←

Group Number: E-11 Model :: Pleasure (Mar, 2014)

Ref No.	Part Number	Description	Req.
1	11230-KPL-900	CLAMPER, COMP., RR. BRK. CABLE	1
2	11341-KTP-900	PLATE, L COVER	1
3	11342-AAL-H00	COVER L SIDE	1
4	11344-GW3-980	RUBBER, STARTER PINION HOLDER	1
5	11395-AAL-00099	GASKET L COVER	1
6	50501-KTP-900	STOPPER RUBBER	1
7	90701-GF6-000	PIN, DOWEL, 8 X 14	2
8	93903-34120	SCREW TAPPING 4 X 8	5
9	96001-06035-00	BOLT, FLANGE, SH. 6 X 35	7
10	96001-06070-00	BOLT, FLANGE, SH., 6X70	2

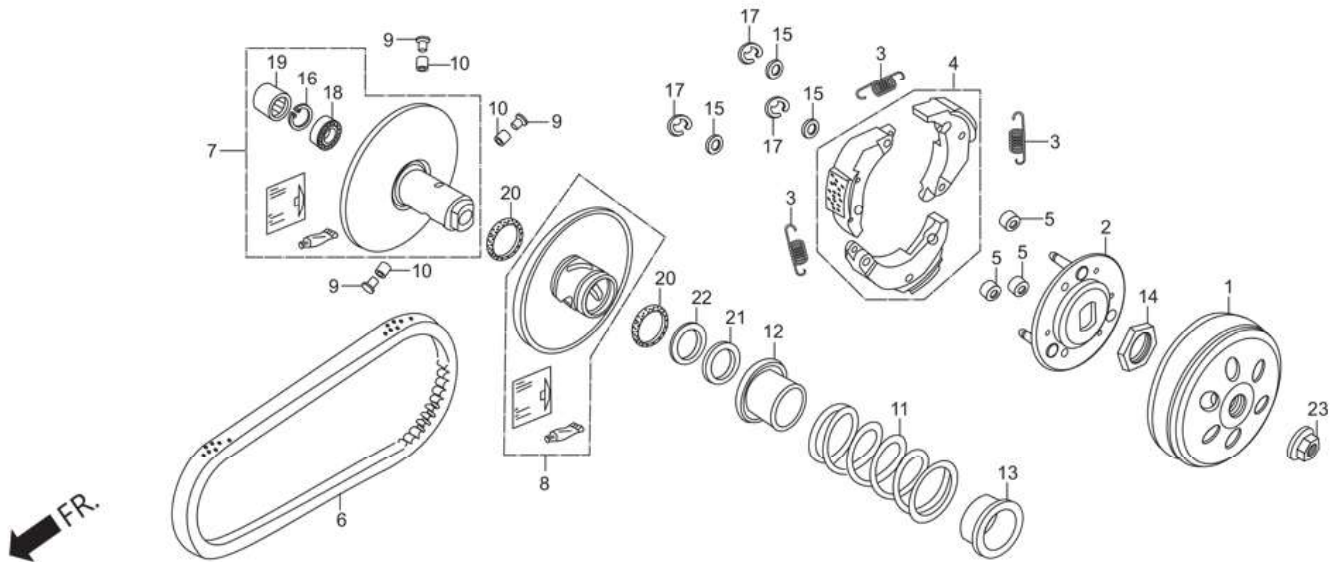
E-12 : DRIVE FACE



Group Number: E-12 Model :: Pleasure (Mar, 2014)

Ref No.	Part Number	Description	Req.
1	22102-AAL-400	FACE COMP., DRIVE	1
2	22105-KPL-900	BOSS, DRIVE FACE	1
3	22109-KTP-900	RATCHET STARTER	1
4	22110-KPL-900	FACE COMP., MOVABLE DRIVE	1
5	22121-KTP-900	ROLLER, COMP., WEIGHT 12GR	6
6	22131-KPL-900	PLATE, RAMP	1
7	22132-KPL-900	PIECE, SLIDE	3
8	28223-GCC-000	SPG., KICK DRIVEN GEAR	1
9	28230-KVT-900	GEAR COMP., KICK DRIVEN	1
10	28250-KVT-900	SPINDLE COMP., KICK STARTER	1
11	28253-KVT-900	BUSH, KICK SPINDLE	1
12	28255-KPL-900	COLLAR, KICK BOSS	1
13	28281-GCC-000	SPRING, KICK RETURN	1
14	90412-329-000	WASHER, THRUST, 10MM	1
15	90426-KBN-900	WASHER, SPECIAL, 12MM	1
16	90451-KVT-900	WASHER, KICK SPINDLE	1
17	90608-KVT-901	CIRCLIP, EX., 16	1
18	94001-12200-0S	NUT, HEX, 12MM	1

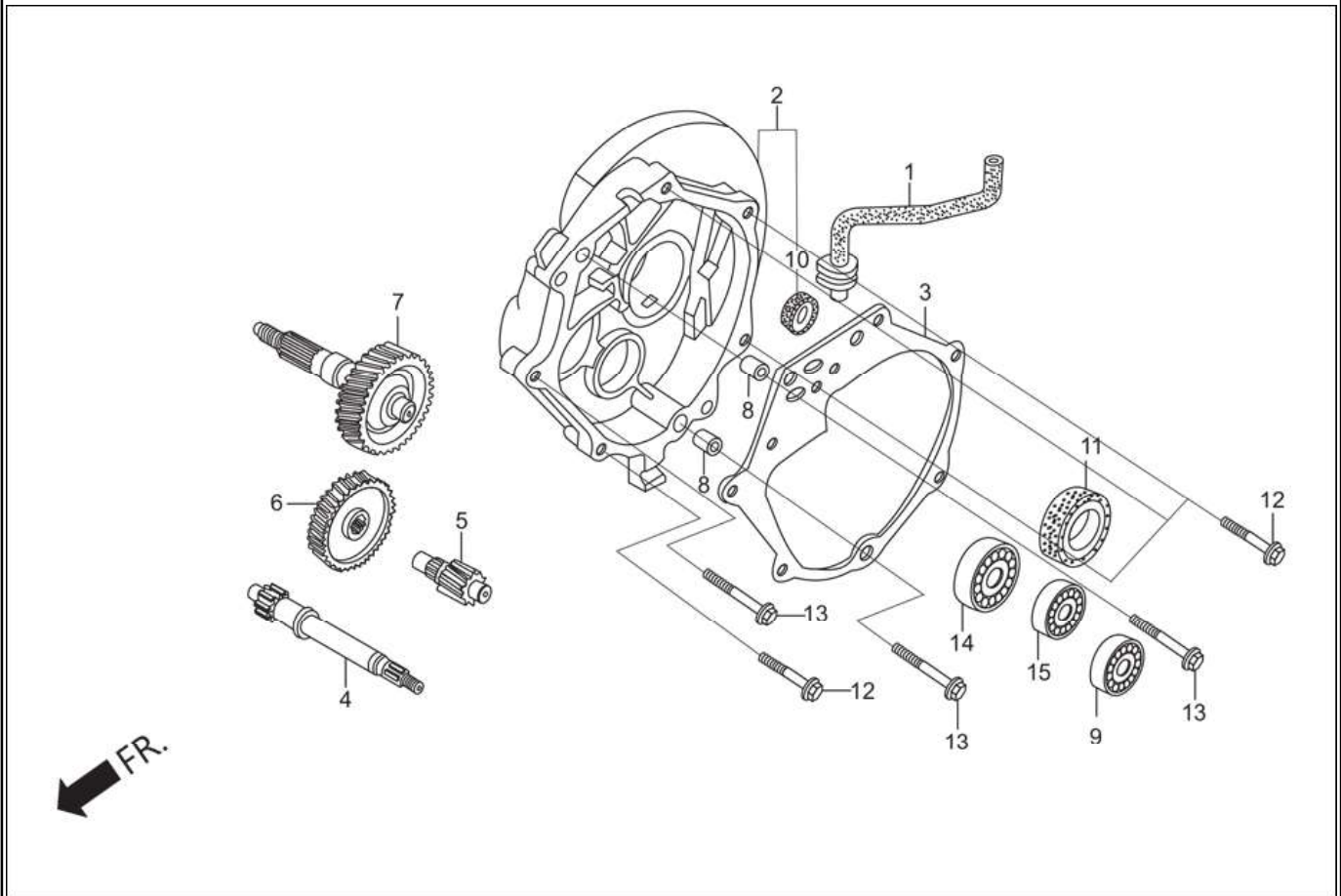
E-13 : DRIVE FACE



Group Number: E-13 **Model ::** Pleasure (Mar, 2014)

Ref No.	Part Number	Description	Req.
1	22100-KPL-900	OUTER COMP., CLUTCH	1
2	22350-KPL-900	PLATE COMP., DRIVE	1
3	22401-KTP-901	SPRING, CLUTCH	3
4	22535-KPL-901	WEIGHT, SET, CLUTCH	1
5	22804-148-000	RUBBER, CLUTCH DAMPER	3
6	23100-AAL-000	BELT DRIVE	1
7	23205-KRP-982	FACE SET, DRIVEN	1
8	23224-KRP-980	FACE SET., MOVABLE DRIVEN	1
9	23225-KPL-900	PIN, ROLLER; GUIDE	3
10	23226-KPL-900	ROLLER, GUIDE	3
11	23233-KPL-900	SPG., DRIVEN FACE	1
12	23237-KPL-900	COLLAR SEAL	1
13	23238-KPL-900	COLLAR SPG.	1
14	90202-KPL-900	NUT SPECIAL 28MM	1
15	90442-KPL-900	WASHER, THRUST, 6MM	3
16	90601-KPL-900	CIRCLIP, INT.24	1
17	90603-KPL-900	CIRCLIP, 5MM	3
18	91006-GAZ-980	BRG., RADIAL BALL, 6901 U	1
19	91103-GAZ-980	BRG., NEEDLE, 17X25X18 WS	1
20	91211-GK8-013	OIL SEAL 34X39X3	2
21	91351-642-000	O-RING, PINION CAP	1
22	91351-GR1-000	O-RING-38.5X2	1
23	94050-10000	NUT, FLANGE, 10MM	1

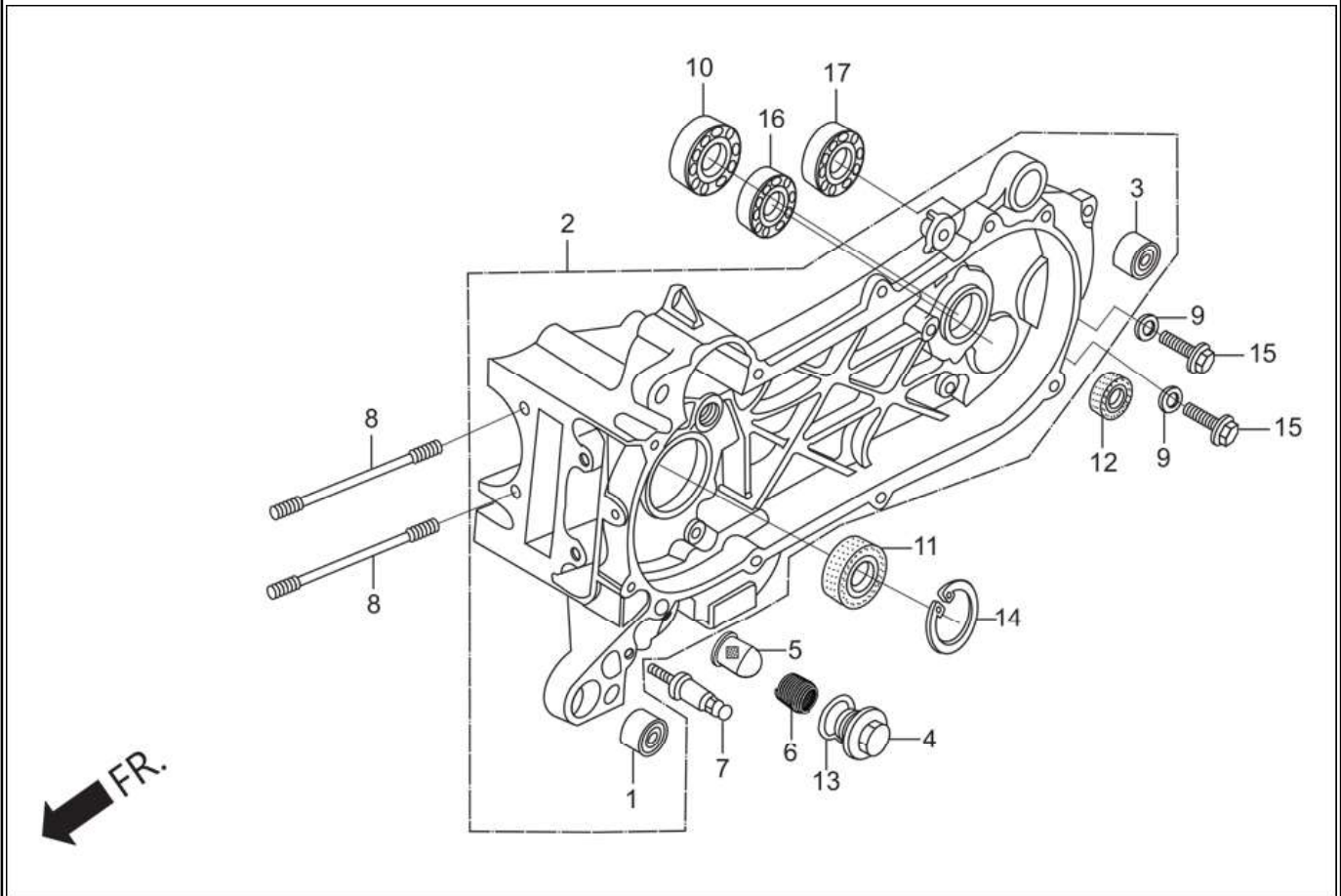
E-14 : CASE MISSION / TRANSMISSION



Group Number: E-14 Model :: Pleasure (Mar, 2014)

Ref No.	Part Number	Description	Req.
1	11220-GCC-000	TUBE, MISSION, BREATHER	1
2	21200-KTP-900	CASE, COMP., MISSION	1
3	21395-GFC-901	GASKET, MISSION CASE	1
4	23411-KPL-900	SHAFT, DRIVE	1
5	23421-GCC-000	SHAFT COUNTER	1
6	23422-GCC-000	GEAR COUNTER	1
7	23430-KPL-901	GEAR COMP. FINAL	1
8	90701-GF6-000	PIN, DOWEL, 8 X 14	2
9	91009-GW3-980	BEARING, BALL, RADIAL, 6004UU	1
10	91203-KPL-901	OIL SEAL 14X20X3.2	1
11	91255-KPL-901	OIL SEAL 27X42X7	1
12	95701-06030-00	BOLT, FLANGE, 6X30	4
13	95701-06040-00	BOLT FLANGE 6X40	3
14	96100-62010-00	BEARING, RADIAL BALL, 6201	1
15	96100-63010-00	BRG.BALL RADIAL 6301	1

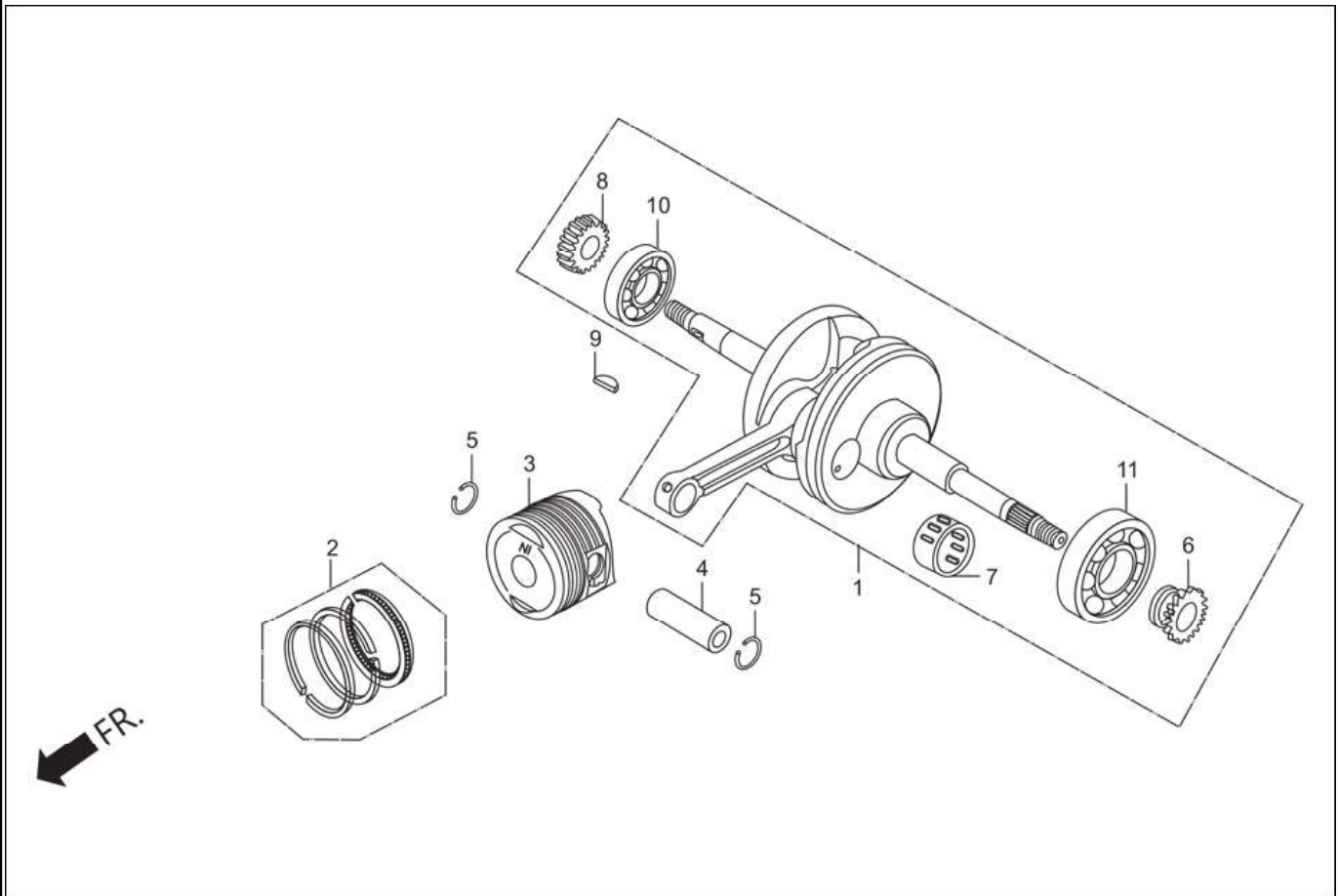
E-15 : LEFT CRANKCASE



Group Number: E-15 Model :: Pleasure (Mar, 2014)

Ref No.	Part Number	Description	Req.
1	11102-GT8-B00	RUBBER BUSH, ENGINE HANGER	1
2	11200-KTP-900	CRANKCASE COMP., L	1
3	11203-GC7-300	UNDER RUBBER, BUSH, RR. CUSHION	1
4	12361-035-000	CAP, TAPPET ADJUSTING HOLE	1
5	15421-107-000	SCREEN, OIL FILTER	1
6	15426-KCW-880	SPRING, OIL FILTER SCREEN	1
7	90008-KPL-900	BOLT, MAIN STAND SPRING	1
8	90032-KPL-900	BOLT B, STUD, 7X186	2
9	90474-333-000	WASHER, 8MM	2
10	91004-AAL-00099	BRG.BALL RADIAL 6203 SPC	1
11	91202-KTP-900	OIL SEAL, 20.8X52X6	1
12	91204-KPL-901	OIL SEAL, 17X30X6	1
13	91302-001-020	O-RING, 30.8 MM	1
14	94520-52150	CIRCLIP, INT.52	1
15	95701-08012-00	BOLT,FLANGE, 8X12	2
16	96100-62010-00	BEARING, RADIAL BALL, 6201	1
17	96100-62020-00	BEARING, RADIAL BALL, 6202	1

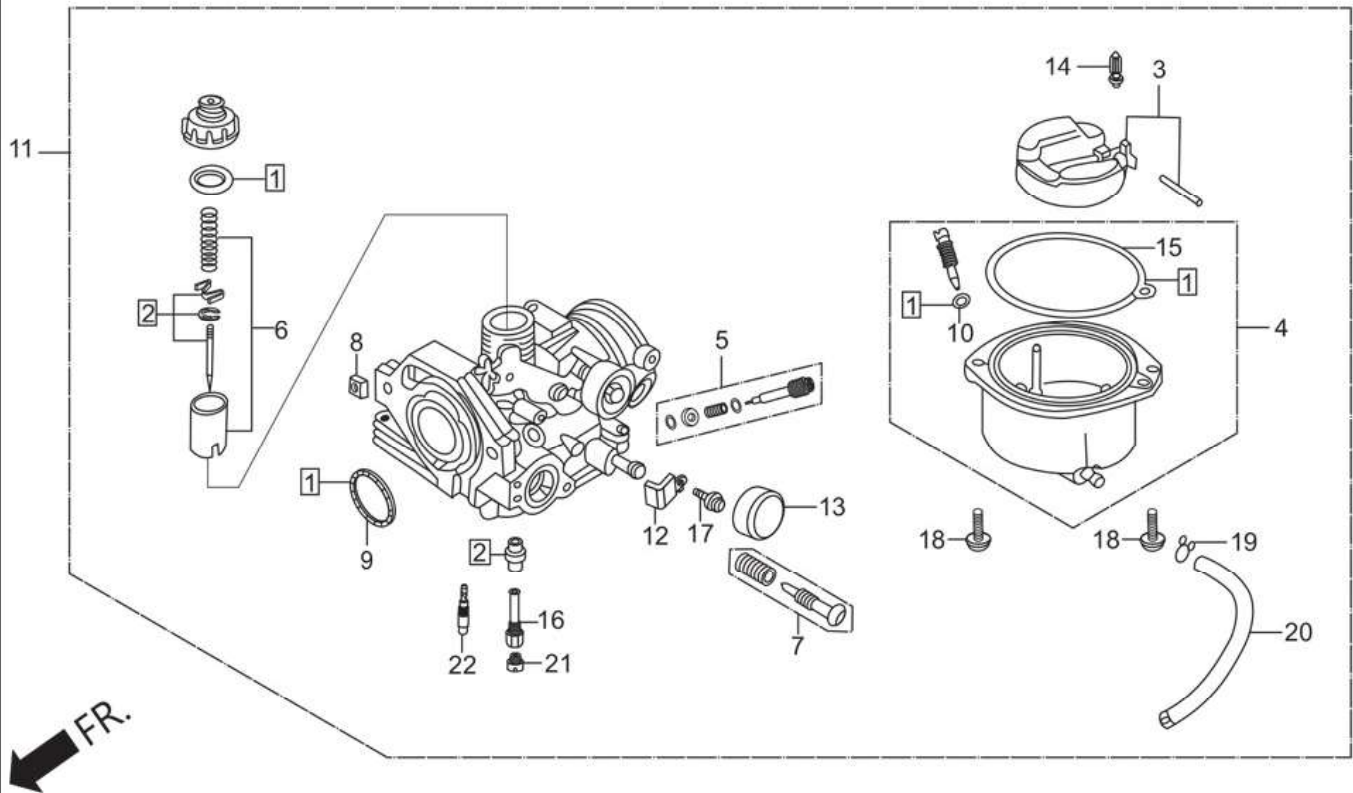
E-16 : CRANK SHAFT / PISTON



Group Number: E-16 **Model ::** Pleasure (Mar, 2014)

Ref No.	Part Number	Description	Req.
1	13000-KTP-900	CRANK SHAFT COMP.	1
2	13011-KCC-942	RING SET, PISTON (STD)	1
	13012-KCC-942	RING SET PISTON O/S (.25)	1
	13013-KCC-942	RING SET PISTON O/S (.50)	1
	13014-KCC-942	RING SET PISTON O/S (.75)	1
	13015-KCC-942	RING SET PISTON O/S (1.00)	1
3	13101-KPL-901	PISTON	1
	13102-KPL-901	PISTON, (O/S 0.25)	1
	13103-KPL-901	PISTON, (O/S 0.50)	1
	13104-KPL-901	PISTON, (O/S 0.75)	1
	13105-KPL-901	PISTON, (O/S 1.00)	1
4	13111-087-000	PIN, PISTON	1
5	13115-001-000	CLIP, PISTON PIN	2
6	14311-KPL-900	SPROCKET, TIMING	1
7	91101-AAC-H40	BEARING, CONNECTING ROD(RE D)	1
	91102-AAC-H40	BEARING, CONNECTING ROD(BLUE)	1
	91103-AAC-H40	BEARING, CONNECTING ROD(WHITE)	1
8	15131-KPL-900	GEAR, OIL PUMP DRIVE	1
9	90741-KPL-900	KEY, WOODRUFF	1
10	91001-GCC-000	BRG., BALL RADIAL, 6205Z	1
11	91002-GCC-000	BRG., BALL RADIAL, 6007	1

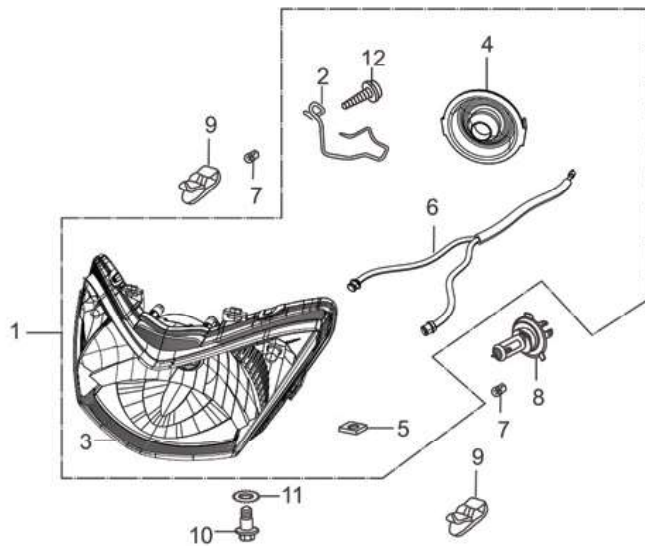
E-17 : CARBURETTOR



Group Number: E-17 Model :: Pleasure (Mar, 2014)

Ref No.	Part Number	Description	Req.
1	16010-KVT-901	GASKET, SET	1
2	16012-KTP-951	NEEDLE, SET, JET	1
3	16013-KRB-901	FLOAT, SET	1
4	16015-KTP-951	CHAMBER, SET, FLOAT	1
5	16016-KPW-H01	SCREW, SET	1
6	16022-KTP-901	VALVE, SET, THROTTLE	1
7	16028-KPL-901	SCREW, SET	1
8	16041-KPL-901	SQUARE, NUT, SET	1
9	16075-KPL-901	O-RING	1
10	16076-KPL-901	O-RING	1
11	16100-AAL-H00	CARBURETOR ASSY	1
12	16119-KPL-901	PLATE STAY	1
13	16148-KPL-901	CAP,CHOKE LEVER DUST	1
14	16155-KPL-901	VALVE COMP ., FLOAT	1
15	16163-GFP-901	GASKET FLOAT CHAMBER	1
16	16165-KRP-761	HOLDER, NEEDLE JET	1
17	93892-04006-08L	SCREW WASH 4X6	1
18	93892-04006-08L	SCREW WASH 4X6	2
19	95002-02659	CLIP, B-1, 6.5 TUBE	1
20	95005-35280-50	TUBE, OVERFLOW	1
21	99101-KPH-0780	JET MAIN # 78A	1
22	99103-KTP-0380	JET COMP. #38X #38	1

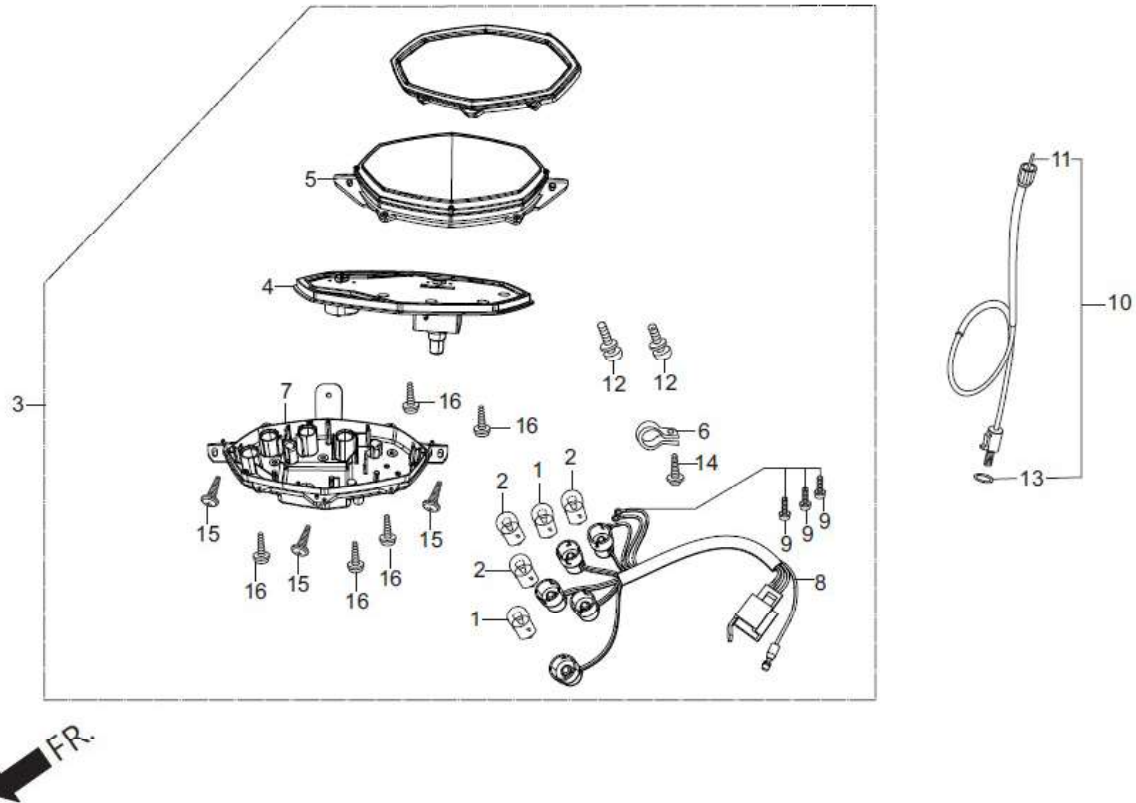
F-1 : HEAD LIGHT



Group Number: F-1 Model :: Pleasure (Mar, 2014)

Ref No.	Part Number	Description	Req.
1	3310B-AAL-001	LIGHT ASSY HEAD(W/O BULB)	1
2	33108-AAB-000	BULB SPRING	1
3	33120-AAL-001	UNIT HEAD LIGHT	1
4	33126-AAL-001	COVER RUBBER	1
5	33128-GFC-890	NUT, SPECIAL	1
6	33130-AAL-001	SOCKET COMP POSITION LIGHT	1
7	33301-AAB-401	BULB (12V5W) BULB E MARK	2
8	34901-KSP-910	BULB, HEAD LIGHT	1
9	53209-GAH-000	CLIP, HEADLIGHT	2
10	90101-GJ6-000	BOLT, ADJUST	1
11	90307-GJ6-000	WASHER, LOCK, 6 MM	1
12	93901-34120	SCREW, TAPPING, 4X8	1

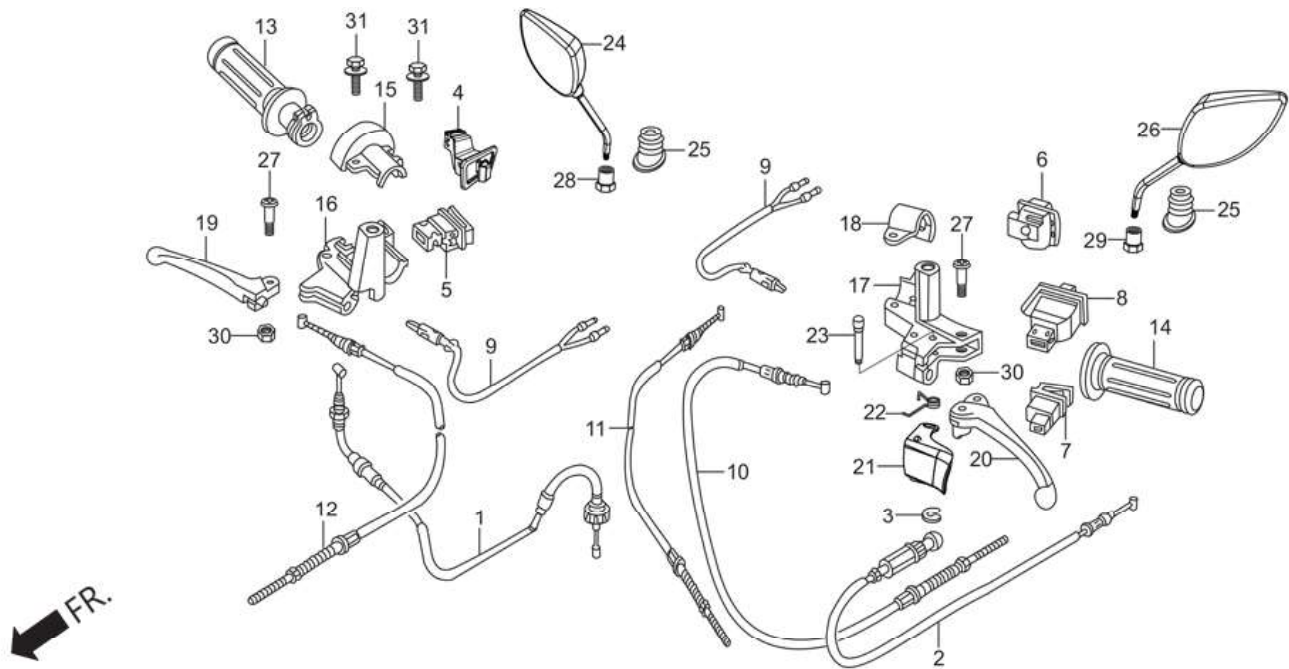
F-2 : METER



Group Number: F-2 Model :: Pleasure (Mar, 2014)

Ref No.	Part Number	Description	Req.
1	34908-KVE-900	BULB, WEDGE BASE T10 (12V - 1.7 W)	2
2	34909-KVE-900	BULB, WEDGE BASE (12V - 3 W)	3
3	37200-AAL-001	SPEEDOMETER ASSY	1
4	37210-AAL-001	SPEEDO & FUEL METER COMP	1
5	37211-AAL-001	LENS	1
6	37216-KCJ-710	CLAMP	1
7	37220-AAL-001	CASE COMP	1
8	37224-AAL-001	SOCKET COMP	1
9	37305-GW3-780	SCREW, WASH 3X22	3
10	44830-KTP-900	CABLE COMP., SPDMT	1
11	44831-KTP-900	CABLE INNER	1
12	90035-GW3-980	SCREW, WASH , SPL.4X10	2
13	91352-GAZ-930	O-RING 8.5X11.5	1
14	93903-24420	SCREW,TAPPING,4 X 16	1
15	93903-25380	SCREW TAPPING 5X16	3
16	93903-22480	SCREW TAPPING 3 X 16	5

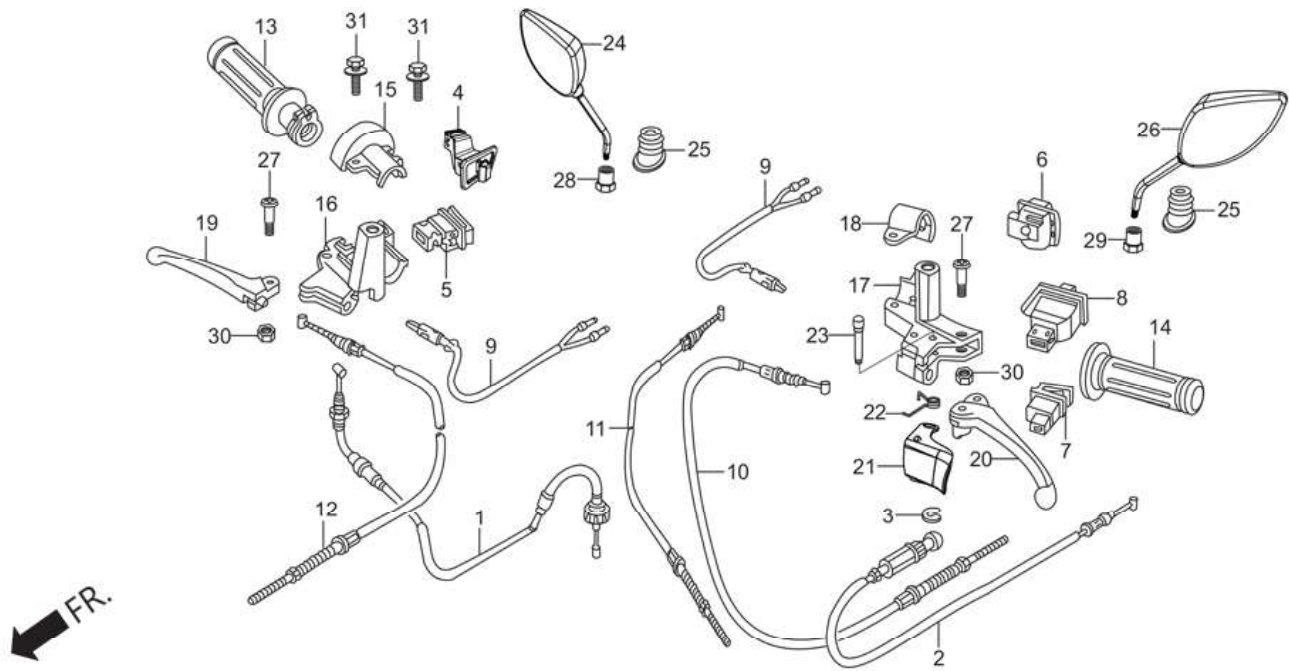
F-3 : HANDLE LEVER / SWITCH / CABLE



Group Number: F-3 Model :: Pleasure (Mar, 2014)

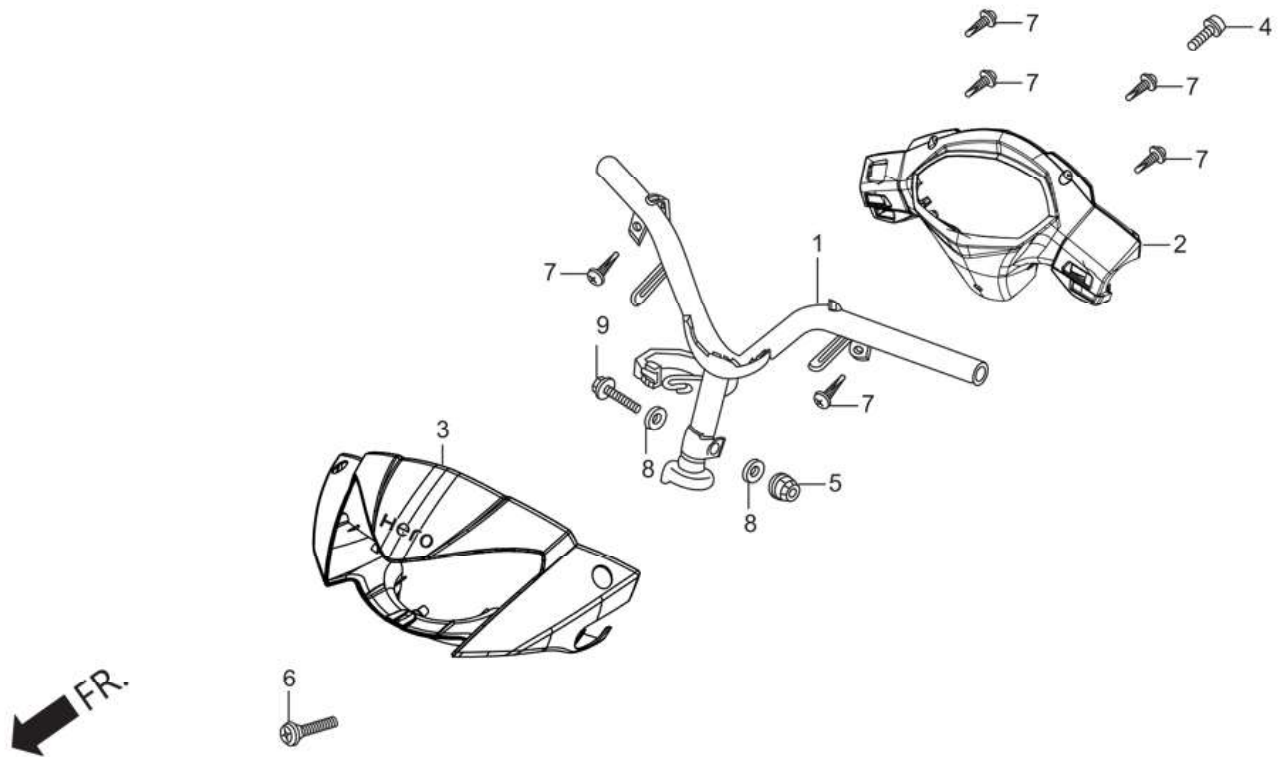
Ref No.	Part Number	Description	Req.
1	17920-KTP-305	CABLE SET, THROTTLE	1
2	17950-KPL-900	CABLE COMP.,CHOKE	1
3	30158-GW3-980	RING E TYPE 3MM	1
4	35150-AAL-001	SW UNIT LIGHTNING	1
5	35160-KTP-890	SWITCH, UNIT START	1
6	35170-KTP-890	SW UNIT DIMMER	1
7	35180-KTP-890	SWITCH, UNIT HORN	1
8	35200-KTP-890	SWITCH, UNIT WINKER	1
9	35340-KTP-890	SWITCH ASSY., FR. STOP	2
10	43450-KTP-900	CABLE COMP., RR. BRK.	1
11	45440-AAL-100	CABLE COMP LH FR BRK	1
12	45450-AAL-100	CABLE COMP RH FR BRK	1
13	53140-KTP-900	GRIP COMP. , THROT	1
14	53166-KTP-900	GRIP L HANDLE	1
15	53167-KPL-900	HOUSING , UPP., THROT	1
16	53168-KTP-900	HOUSING UND., THROT	1
17	53172-AAL-100	BRKT HANDLE	1
18	53173-KPL-900	BAND, HANDLE BRKT	1
19	53175-KTP-900	LEVER, R. STRG. HANDLE	1
20	53178-AAL-100	LEVER L HANDLE	1
21	53181-AAL-100	LEVER COMP PARKING	1
22	53182-AAL-100	SPRING RETURN LEVER	1
23	53183-GW3-980	PIN, PIVOT, PARKING LEVER	1
24	88110-AAL-000X	MIRROR ASSY R BACK(PFW, NH-341P)	1

F-3 : HANDLE LEVER / SWITCH / CABLE



	88110-AAL-000W	MIRROR ASSY R BACK(FSM,NH-411M)	1
	88110-AAL-000V	MIRROR ASSY R BACK(CBR,R-195C)	1
	88110-AAL-000Z	MIRROR ASSY R BACK(BLK,NH-1)	1
25	88113-KRP-901	CAP, LOCK NUT	2
26	88120-AAL-000X	MIRROR ASSY L BACK(PFW, NH-341P)	1
	88120-AAL-000W	MIRROR ASSY L BACK(FSM,NH-411M)	1
	88120-AAL-000V	MIRROR ASSY L BACK(CBR,R-195C)	1
	88120-AAL-000Z	MIRROR ASSY L BACK(BLK,NH-1)	1
27	90115-KPL-900	SCREW, HNDL LEVER PIVOT	2
28	90134-GM8-000	NUT, LOCK	1
29	90135-KGF-900	NUT, LOCK L.H.	1
30	90304-KPL-900	NUT HEX 5 MM	2
31	93401-06020-00	BOLT, WASHER, 6 X 20	2

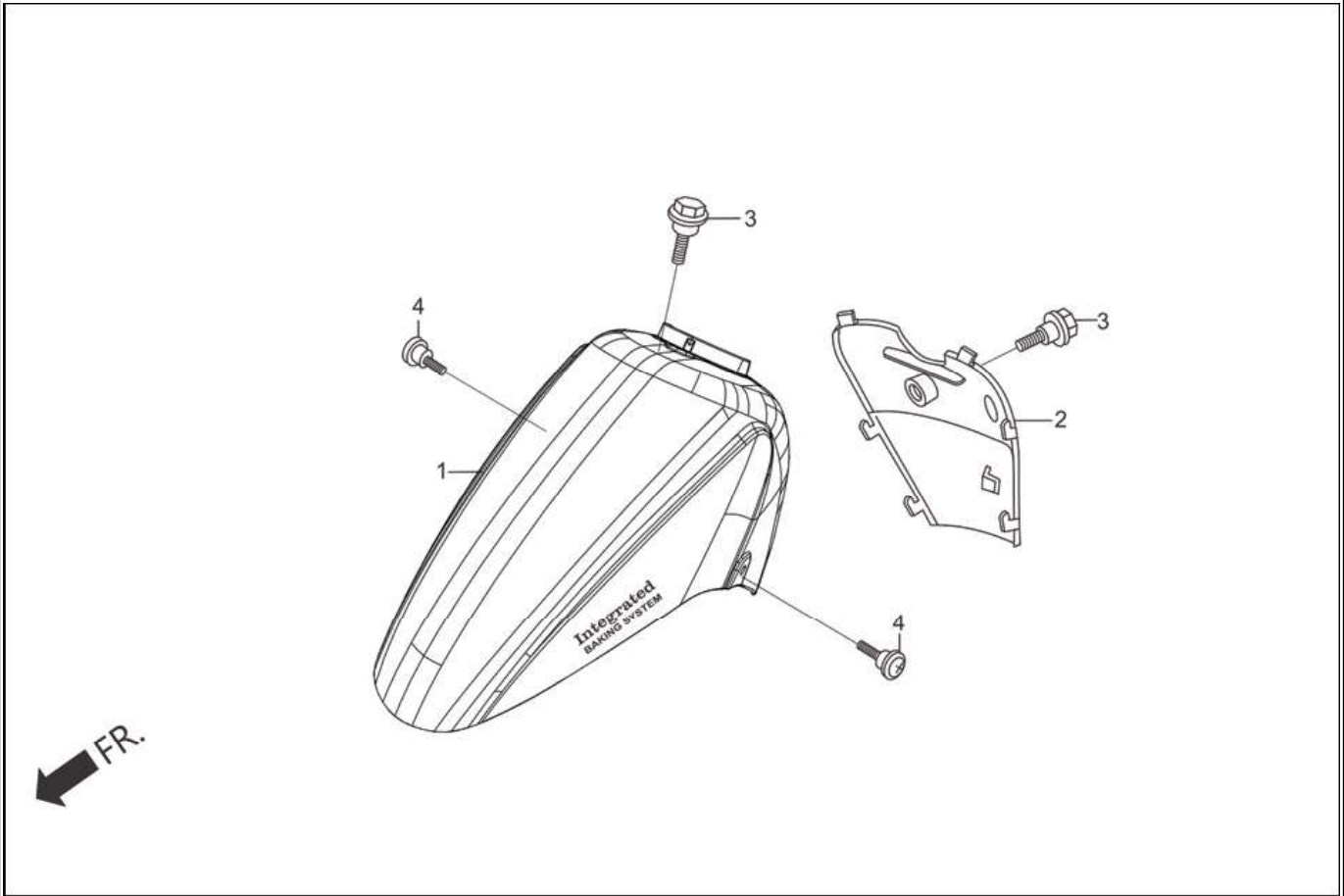
F-4 : STEERING HANDLE / HANDLE COVER / KEY SET



Group Number: F-4 Model :: Pleasure (Mar, 2014)

Ref No.	Part Number	Description	Req.
1	53100-AAL-400	HANDLE COMP. STRG.	1
2	53206-AAL-000	COVER HANDLE RR	1
3	53207-AAL-000X	SET, HANDLE FR COVER(PFW, NH-341P)	1
	53207-AAL-000W	SET, HANDLE FR COVER(FSM,NH-411M)	1
	53207-AAL-000Y	SET, HANDLE FR COVER(CBR,R-195C (TYPE-2))	1
	53207-AAL-000Z	SET, HANDLE FR COVER(BLK,NH-1)	1
4	90116-KTP-900	SCREW WASH 5X16	1
5	90304-KCS-920	NUT U 10 MM	1
6	93891-05025-07	SCREW, WASH, 5X25	1
7	93903-34480	SCREW, TAPPING, 4X 16	6
8	94102-10000	WASHER, PLAIN, 10MM	2
9	95801-10045-08	BOLT, FLANGE, 10X45	1

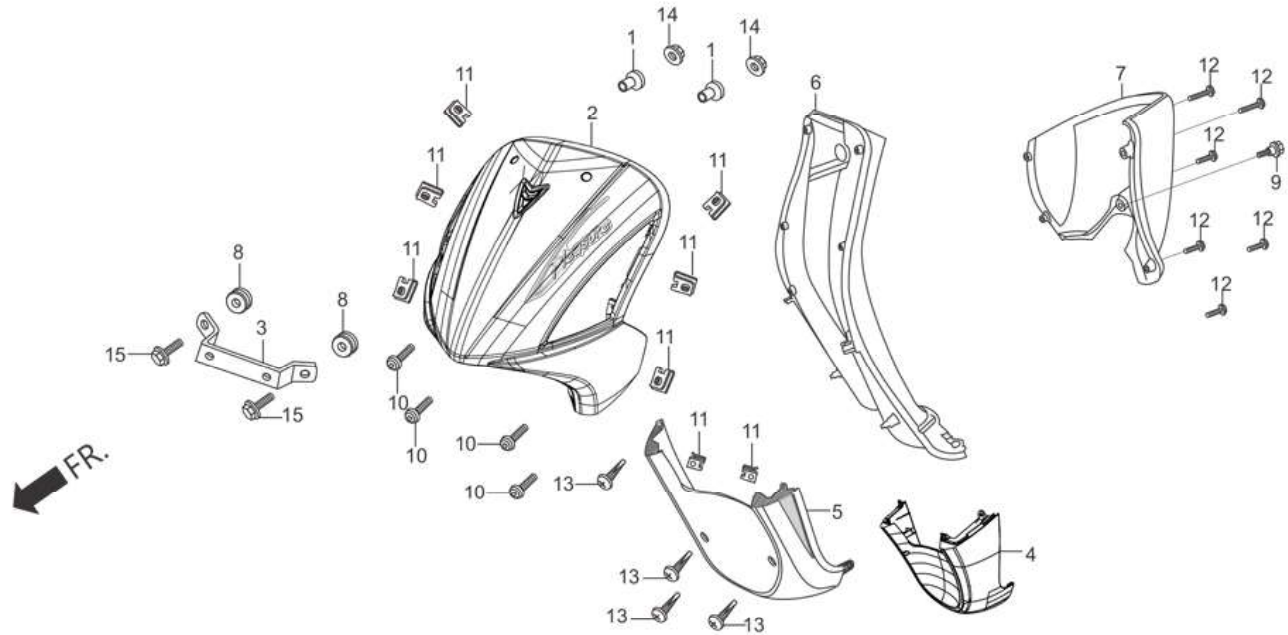
F-5 : FRONT FENDER



Group Number: F-5 Model :: Pleasure (Mar, 2014)

Ref No.	Part Number	Description	Req.
1	61105-AAL-000R	SET, FR FENDER(LPM,P-50M)	1
	61105-AAL-000S	SET, FR FENDER(VOR,YR-250)	1
	61105-AAL-000T	SET, FR FENDER(FBM,B-185M)	1
	61105-AAL-000U	SET, FR FENDER(LGM,GY-141M)	1
	61105-AAL-000V	SET, FR FENDER(CBR,R-195C (TYPE-1))	1
	61105-AAL-000W	SET, FR FENDER(FSM,NH-411M)	1
	61105-AAL-000X	SET, FR FENDER(PFW,NH-341P)	1
	61105-AAL-000Z	SET, FR FENDER(BLK,NH-1)	1
2	61110-KTP-900	FENDER, B, FR	1
3	90111-KPL-900	BOLT, INNER COVER	2
4	90113-KTP-900	BOLT SPECIAL HEX. 6X14	2

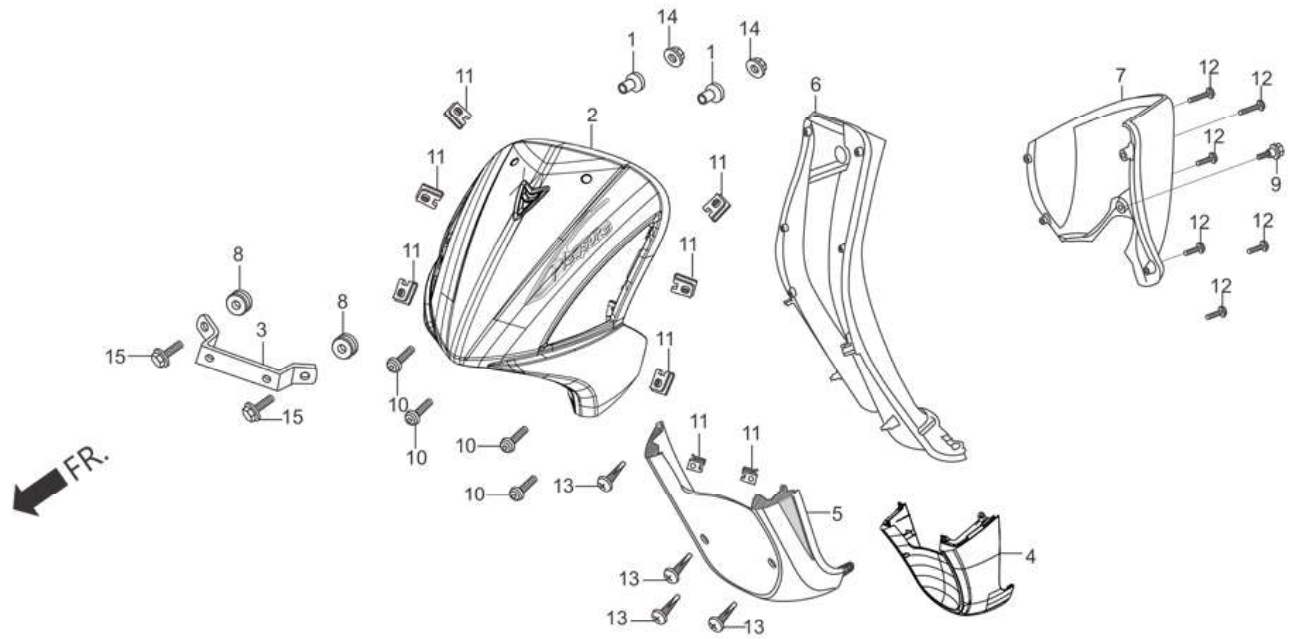
F-6 : FR. & INNER COVER



Group Number: F-6 Model :: Pleasure (Mar, 2014)

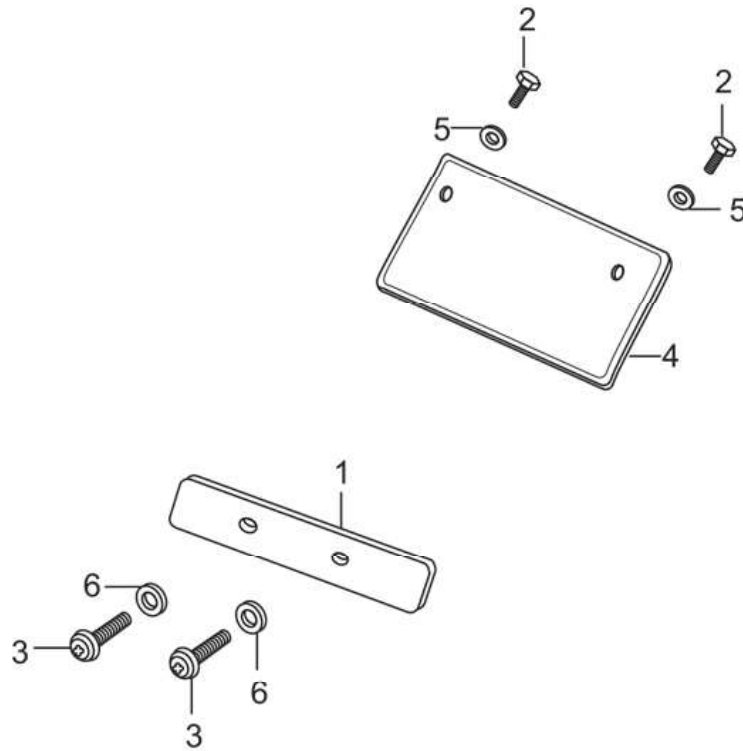
Ref No.	Part Number	Description	Req.
1	61104-428-000	COLLAR, FR, FENDER	2
2	64200-AAL-000R	SET, FR UPPER COVER(LPM,P-50M)	1
	64200-AAL-000S	SET, FR UPPER COVER(VOR,YR-250)	1
	64200-AAL-000T	SET, FR UPPER COVER(FBM,B-185M)	1
	64200-AAL-000U	SET, FR UPPER COVER(LGM,GY-141M)	1
	64200-AAL-000V	SET, FR UPPER COVER(CBR,R-195C (TYPE-1))	1
	64200-AAL-000W	SET, FR UPPER COVER(FSM,NH-411M)	1
	64200-AAL-000X	SET, FR UPPER COVER(PFW,NH-341P)	1
	64200-AAL-000Y	SET, FR UPPER COVER(CBR,R-195C (TYPE-2))	1
	64200-AAL-000Z	SET, FR UPPER COVER(BLK,NH-1)	1
3	64303-KTP-900	STAY, FR. NO. PLATE	1
4	64305-AAL-000W	COVER FR LOWER (FSM,NH-411M)	1
	64305-AAL-000X	COVER FR LOWER (PFW,NH-341P)	1
	64305-AAL-000Z	COVER FR LOWER (BLK,NH-1)	1
5	64350-AAL-000R	SET, FR LOWER COVER(LPM,P-50M)	1
	64350-AAL-000S	SET, FR LOWER COVER(VOR,YR-250)	1
	64350-AAL-000T	SET, FR LOWER COVER(FBM,B-185M)	1
	64350-AAL-000U	SET, FR LOWER COVER(LGM,GY-141M)	1
	64350-AAL-000V	SET, FR LOWER COVER(CBR,R-195C (TYPE-1))	1
6	81131-AAL-000	COVER INNER	1
7	81132-KTP-900	RACK, INNER	1
8	84703-425-000	RUBBER TAIL LIGHT (MOUNT)	2
9	90111-KPL-900	BOLT, INNER COVER	1
10	90116-KTP-900	SCREW WASH 5X16	4

F-6 : FR. & INNER COVER



11	90677-KAN-961	NUT CLIP 5MM	8
12	93891-05030-07	SCREW WASH 5X30	6
13	93903-34420	SCREW TAPPING 4X16	4
14	94050-06000	NUT, FLANGE, 6 MM	2
15	95701-06025-00	BOLT, FLANGE, 6X 25	2

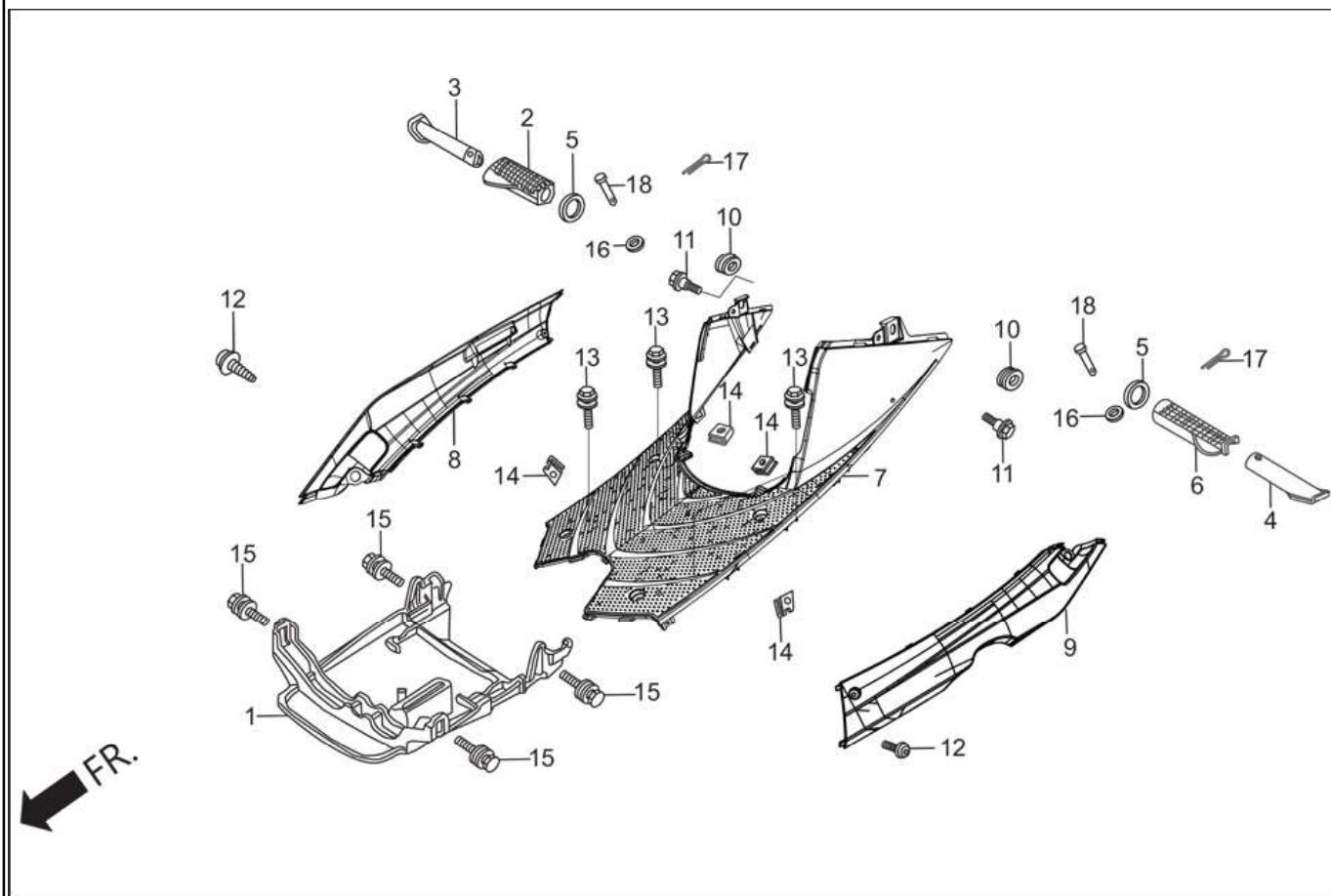
F-6A : OPTIONAL



Group Number: F-6A **Model ::** Pleasure (Mar, 2014)

Ref No.	Part Number	Description	Req.
1	64310-198-D20A	PLATE, FRONT NUMBER	1
2	92000-06016-0A	BOLT, HEX., 6 X 16	2
3	93500-05010-1A	SCREW, PAN, 5X10	2
4	84701-P26-D00A	NUMBER, PLATE REAR	1
5	94101-05000	WASHER , PLAIN, 5MM	2
6	94101-06000	WASHER, PLAIN, 6 MM	2

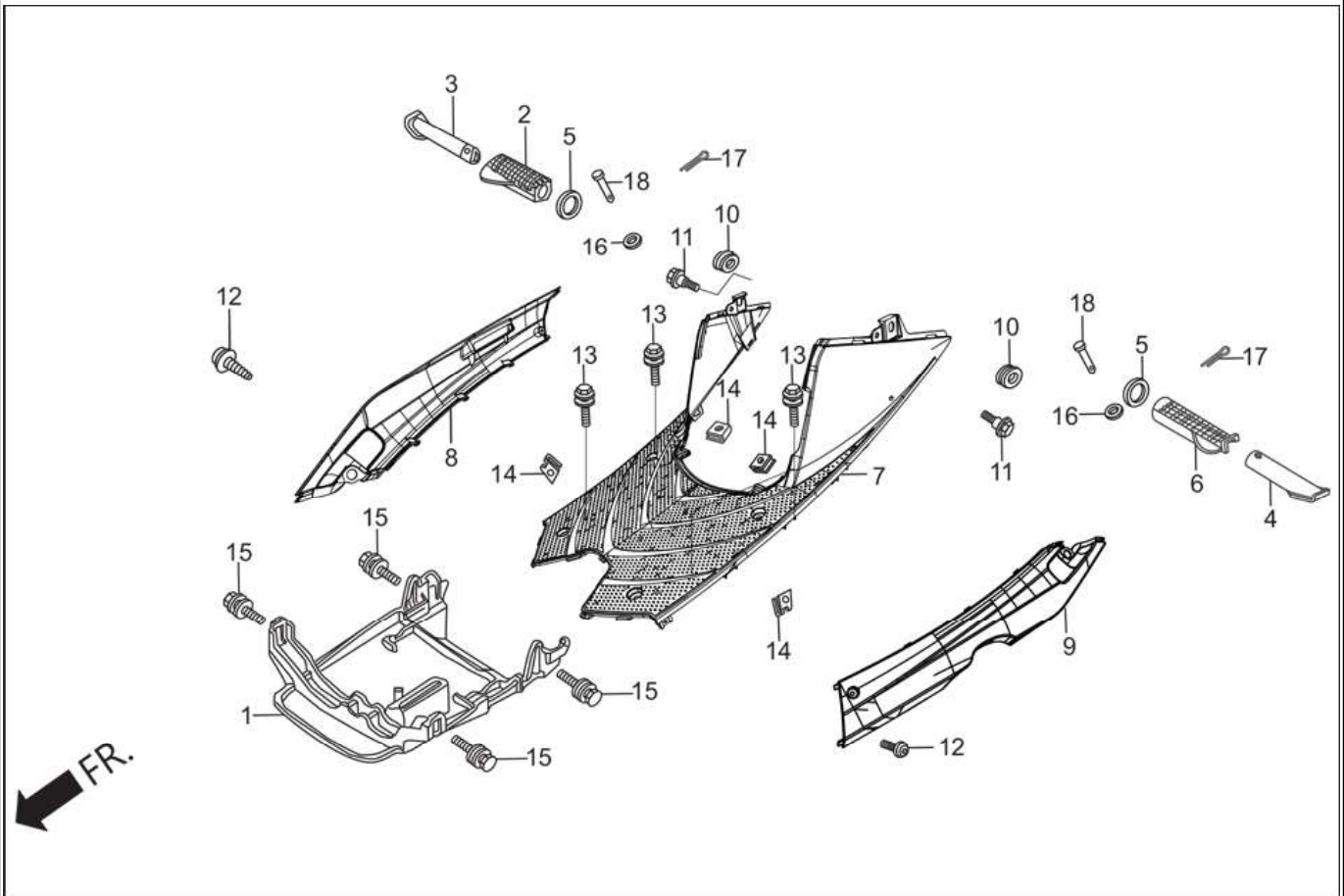
F-7 : FLOOR PANEL



Group Number: F-7 Model :: Pleasure (Mar, 2014)

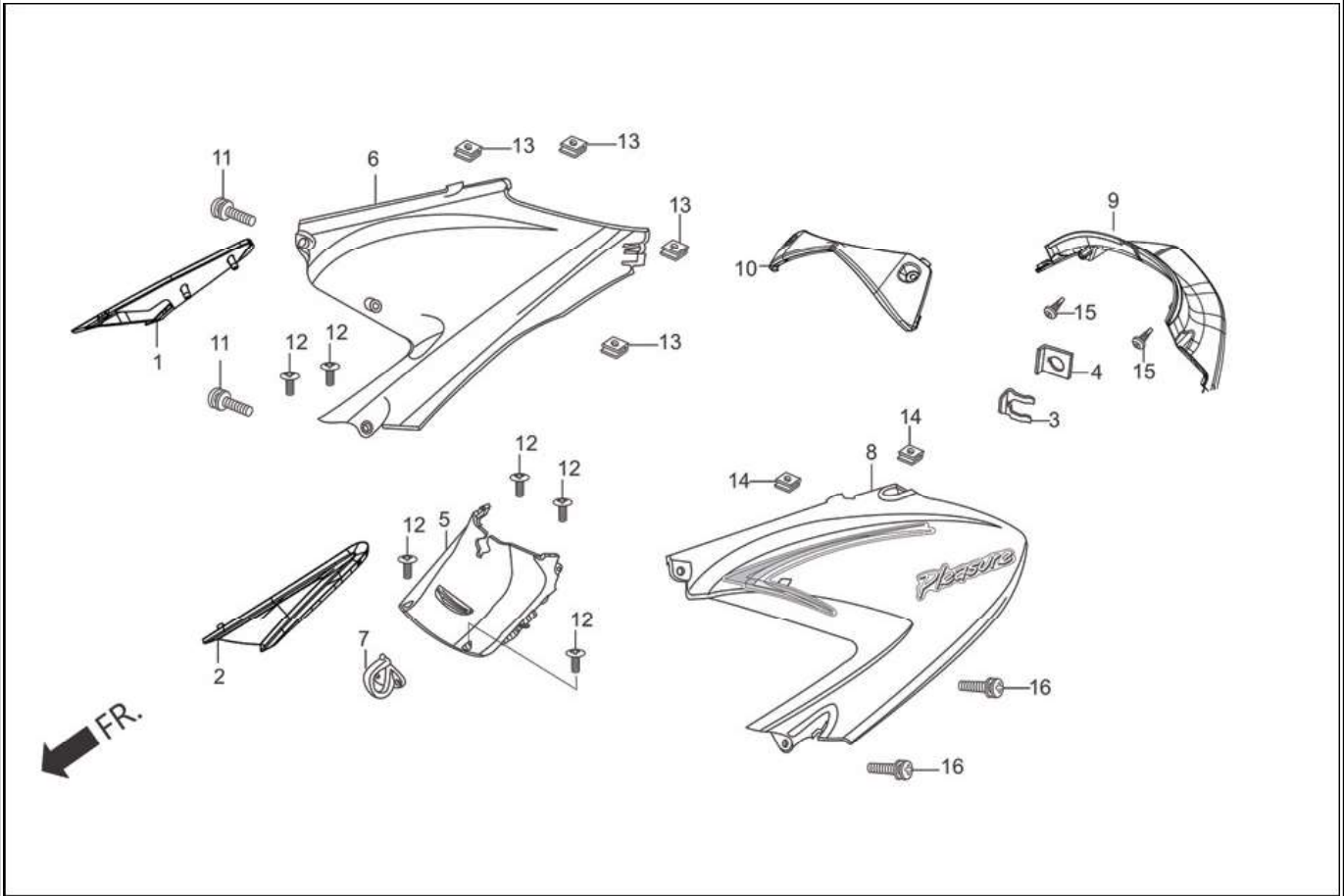
Ref No.	Part Number	Description	Req.
1	50621-KTP-900	COVER, UNDER	1
2	50710-KTP-900	RUBBER, R.P. STEP	1
3	50711-KTP-900	BAR, R. P. STEP	1
4	50712-KTP-900	BAR, L. P. STEP	1
5	50715-KE8-000	PLATE, P. STEP SIDE	2
6	50715-KTP-900	RUBBER, L.P. STEP	1
7	64310-AAL-000	PANEL FLOOR	1
8	64320-AAL-000R	COVER R FLOOR SIDE(LPM,P-50M)	1
	64320-AAL-000S	COVER R FLOOR SIDE(VOR,YR-250)	1
	64320-AAL-000T	COVER R FLOOR SIDE(FBM,B-185M)	1
	64320-AAL-000U	COVER R FLOOR SIDE(LGM,GY-141M)	1
	64320-AAL-000V	COVER R FLOOR SIDE(CBR,R-195C (TYPE-1))	1
	64320-AAL-000W	COVER R FLOOR SIDE(FSM,NH-411M)	1
	64320-AAL-000X	COVER R FLOOR SIDE(PFW,NH-341P)	1
	64320-AAL-000Z	COVER R FLOOR SIDE(BLK,NH-1)	1
9	64330-AAL-000R	COVER L FLOOR SIDE(LPM,P-50M)	1
	64330-AAL-000S	COVER L FLOOR SIDE(VOR,YR-250)	1
	64330-AAL-000T	COVER L FLOOR SIDE(FBM,B-185M)	1
	64330-AAL-000U	COVER L FLOOR SIDE(LGM,GY-141M)	1
	64330-AAL-000V	COVER L FLOOR SIDE(CBR,R-195C (TYPE-1))	1
	64330-AAL-000W	COVER L FLOOR SIDE(FSM,NH-411M)	1
	64330-AAL-000X	COVER L FLOOR SIDE(PFW,NH-341P)	1
	64330-AAL-000Z	COVER L FLOOR SIDE(BLK,NH-1)	1
10	83551-GE2-000	GROMMET, AIR CLENER CASE	2

F-7 : FLOOR PANEL



11	90111-KPL-900	BOLT, INNER COVER	2
12	90116-KTP-900	SCREW WASH 5X16	2
13	90117-KTP-900	BOLT, WASHER, BF 6 X 25	4
14	90677-KAN-961	NUT CLIP 5MM	4
15	93404-06012-00	BOLT, WASHER, 6 X 12	4
16	94101-06000	WASHER, PLAIN, 6 MM	2
17	94201-16150	PIN, SPLIT, 1.6 X 15	2
18	95015-81000	PIN A PILLION STEP	2

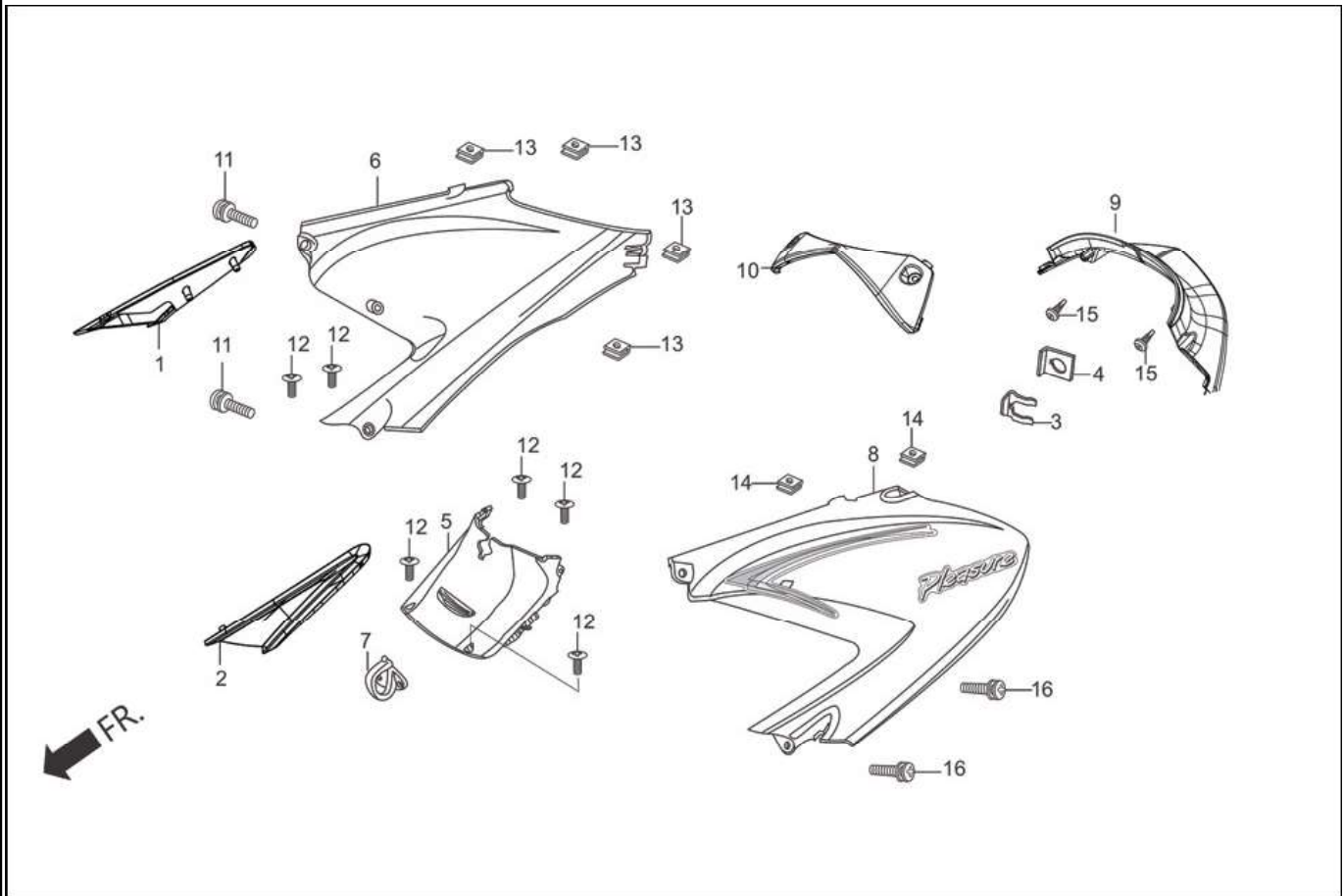
F-8 : BODY COVER



Group Number: F-8 Model :: Pleasure (Mar, 2014)

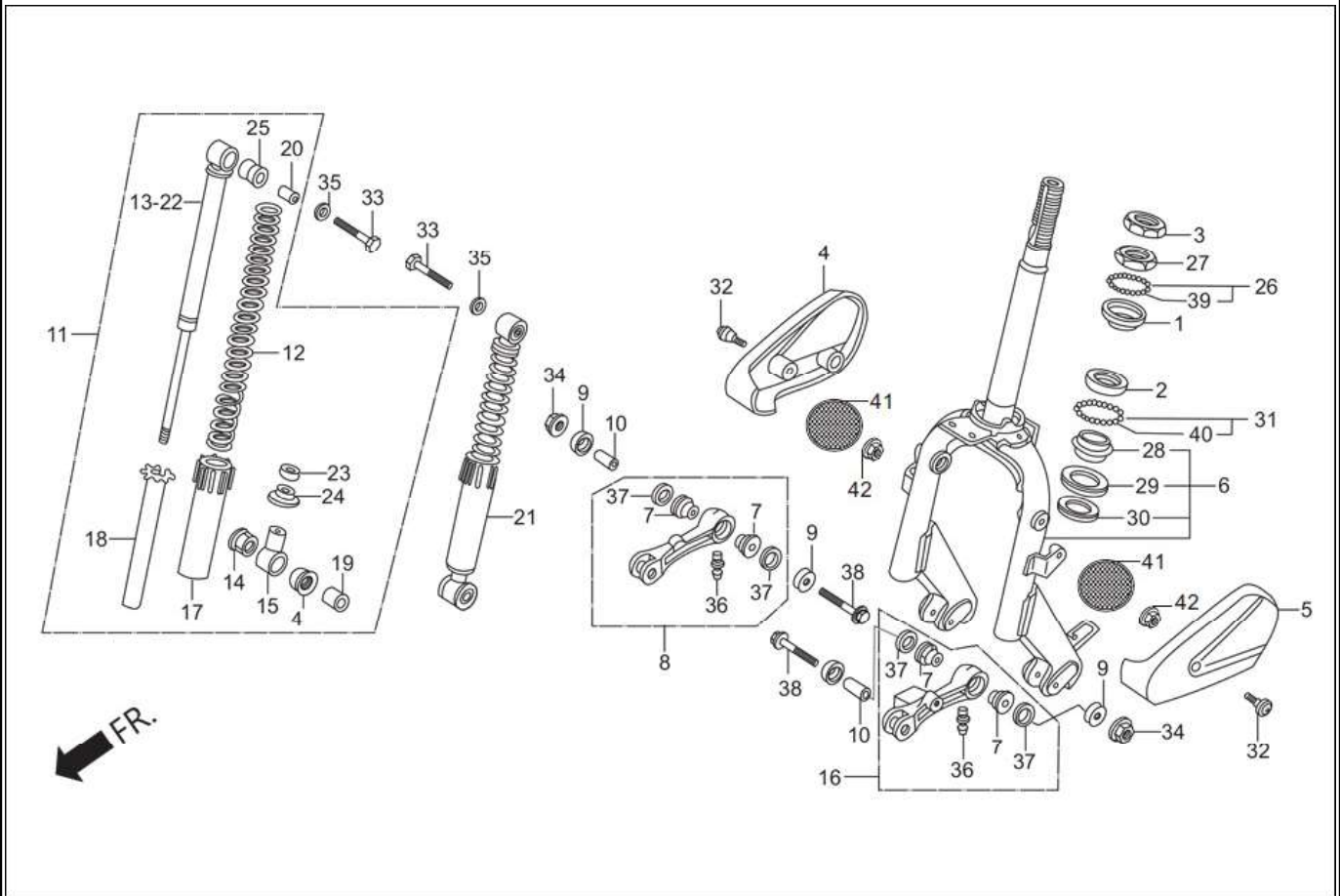
Ref No.	Part Number	Description	Req.
1	61335-AAL-000	GARNISH R BODY COVER	1
2	61345-AAL-000	GARNISH L BODY COVER	1
3	75582-KCW-870	SET SPG, LOCK KEY	1
4	77241-KRP-900	PLATE , SEAT LOCK	1
5	80151-KTP-900	COVER, CENTER.	1
6	83450-AAL-000R	SET, R BODY COVER(LPM,P-50M)	1
	83450-AAL-000S	SET, R BODY COVER(VOR,YR-250)	1
	83450-AAL-000T	SET, R BODY COVER(FBM,B-185M)	1
	83450-AAL-000U	SET, R BODY COVER(LGM,GY-141M)	1
	83450-AAL-000V	SET, R BODY COVER(CBR,R-195C (TYPE-1))	1
	83450-AAL-000W	SET, R BODY COVER(FSM,NH-411M)	1
	83450-AAL-000X	SET, R BODY COVER(PFW,NH-341P)	1
	83450-AAL-000Y	SET, R BODY COVER(CBR,R-195C (TYPE-2))	1
	83450-AAL-000Z	SET, R BODY COVER(BLK,NH-1)	1
7	83508-KPL-900	HOOK, LUGGAGE	1
8	83550-AAL-000R	SET, L BODY COVER(LPM,P-50M)	1
	83550-AAL-000S	SET, L BODY COVER(VOR,YR-250)	1
	83550-AAL-000T	SET, L BODY COVER(FBM,B-185M)	1
	83550-AAL-000U	SET, L BODY COVER(LGM,GY-141M)	1
	83550-AAL-000V	SET, L BODY COVER(CBR,R-195C (TYPE-1))	1
	83550-AAL-000W	SET, L BODY COVER(FSM,NH-411M)	1
	83550-AAL-000X	SET, L BODY COVER(PFW,NH-341P)	1
	83550-AAL-000Y	SET, L BODY COVER(CBR,R-195C (TYPE-2))	1
	83550-AAL-000Z	SET, L BODY COVER(BLK,NH-1)	1

F-8 : BODY COVER



9	83701-AAL-000R	COVER RR CENTER(LPM,P-50M)	1
	83701-AAL-000S	COVER RR CENTER(VOR,YR-250)	1
	83701-AAL-000T	COVER RR CENTER(FBM,B-185M)	1
	83701-AAL-000U	COVER RR CENTER(LGM,GY-141M)	1
	83701-AAL-000V	COVER RR CENTER(CBR,R-195C (TYPE-1))	1
	83701-AAL-000W	COVER RR CENTER(FSM,NH-411M)	1
	83701-AAL-000X	COVER RR CENTER(PFW,NH-341P)	1
	83701-AAL-000Z	COVER RR CENTER(BLK,NH-1)	1
10	83702-AAL-000R	COVER RR CENTER LOWER(LPM,P-50M)	1
	83702-AAL-000S	COVER RR CENTER LOWER(VOR,YR-250)	1
	83702-AAL-000T	COVER RR CENTER LOWER(FBM,B-185M)	1
	83702-AAL-000U	COVER RR CENTER LOWER(LGM,GY-141M)	1
	83702-AAL-000V	COVER RR CENTER LOWER(CBR,R-195C (TYPE-1))	1
	83702-AAL-000W	COVER RR CENTER LOWER(FSM,NH-411M)	1
	83702-AAL-000X	COVER RR CENTER LOWER(PFW,NH-341P)	1
	83702-AAL-000Z	COVER RR CENTER LOWER(BLK,NH-1)	1
11	90109-SB6-000	SCREW, TRUSS, 5X14	2
12	90116-KTP-900	SCREW WASH 5X16	6
13	90677-KAN-961	NUT CLIP 5MM	4
14	90683-GAZ-930	CLIP TRIM	2
15	93600-05016-0G	SCREW FLAT 5X16	2
16	93903-34420	SCREW TAPPING 4X16	2

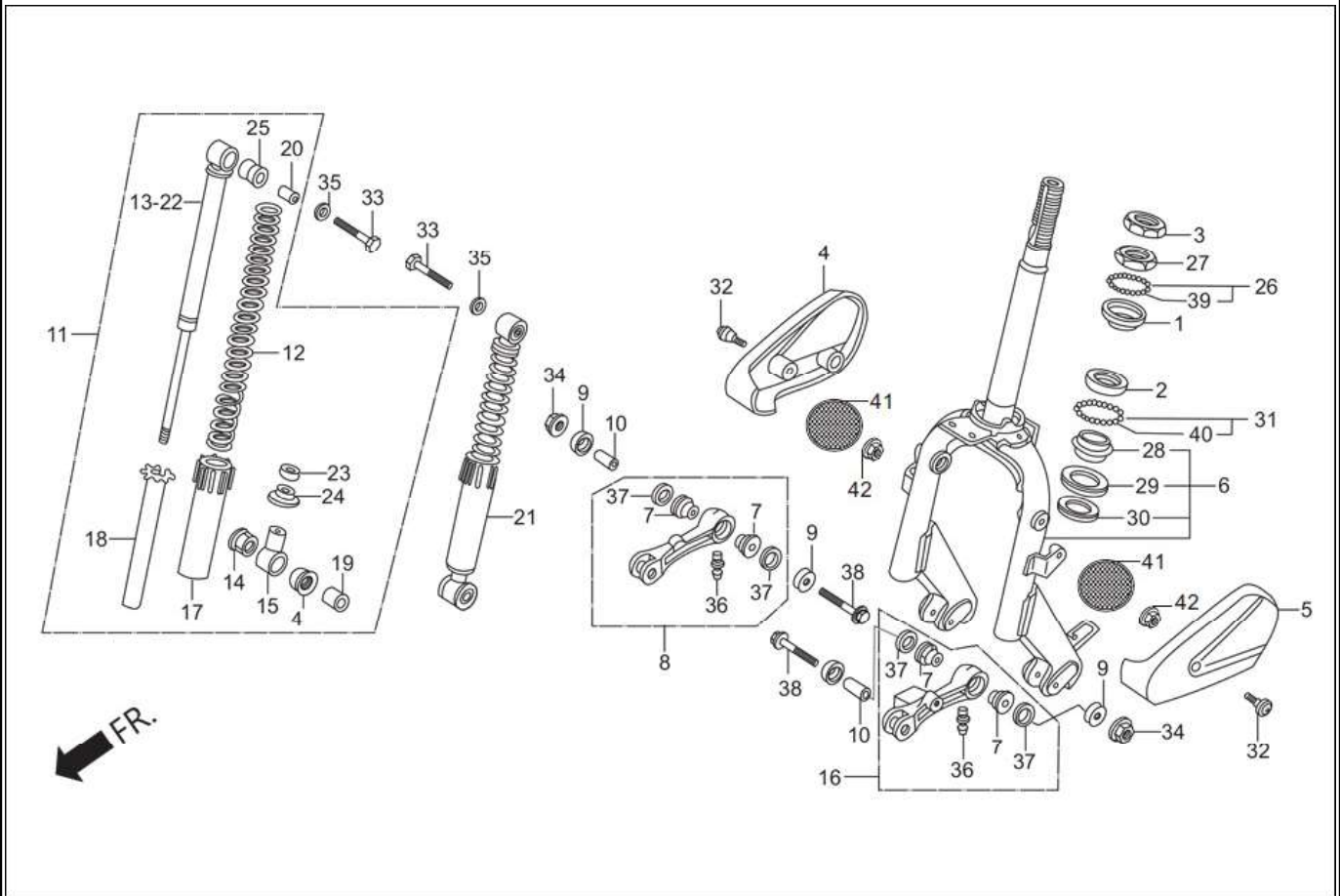
F-9 : STRG. STEM / FR. FORK



Group Number: F-9 Model :: Pleasure (Mar, 2014)

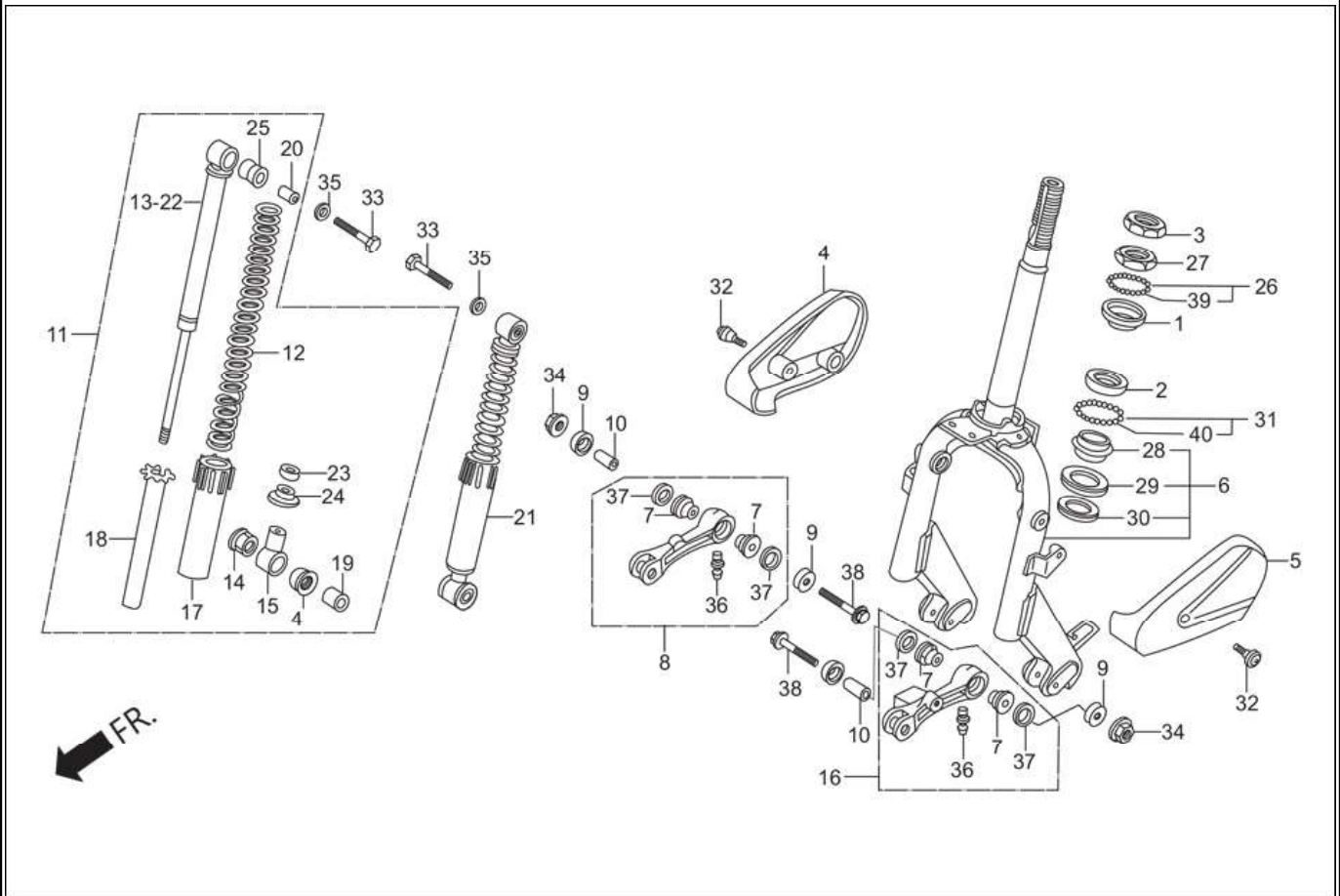
Ref No.	Part Number	Description	Req.
1	50301-KEM-900	RACE, UP STRG., BALL	1
2	50302-KPL-900	RACE, STRG., BOTTOM BALL	1
3	50306-KPL-900	NUT, STRG. STEM, LOCK	1
4	51103-KTP-900	COVER, R. PIVOT ARM	1
5	51104-KTP-900	COVER, L. PIVOT ARM	1
6	51105-AAL-000	FORK COMP FRONT	1
7	51314-KPL-900	BUSH, PIVOT ARM	4
8	51315-KPL-900	PIVOT ARM, SET R	1
9	51316-KPL-900	CAP, FR. DISTANCE COLLAR	4
10	51334-KPL-900	COLLAR, ARM, PIVOT	2
11	51400-KRP-982	CUSHION ASSY., R. FR	1
12	51401-KRP-981	SPRING,FR., CUSHION	2
13	51410-KRP-981	DAMPER COMP., R FRONT	1
14	51413-GC8-003	BUSH, FR. CUSHION UNDER	4
15	51414-GC8-003	METAL,COMP., BOTTOM	2
16	51415-KPL-900	PIVOT ARM, SET L	1
17	51421-KRP-981	CASE, FR. CUSHION, UNDER	2
18	51458-GC8-003	GUIDE, FR. CUSHION,SPRING	2
19	51486-GC8-003	COLLAR, RUBBER, BUSH	2
20	51486-KRP-981	COLLAR, FR. CUSHION, RUBBER BUSH	2
21	51500-KRP-982	CUSHION ASSY., L. FR	1
22	51510-KRP-981	DAMPER, COMP., L. FR	1
23	51516-GC8-003	SEAT, SPRING, UNDER	2
24	52475-KRP-981	RUBBER, STOPPER	2

F-9 : STRG. STEM / FR. FORK



25	52489-331-003	RUBBER, A JOINT	2
26	53210-KTP-900	BALL, ASSY, STRG.	1
27	53211-KEM-900	RACE, STRG. TOP CONE	1
28	53212-250-010	RACE, STRG. BOTTOM CONE	1
29	53214-250-000	DUST, SEAL STRG. (HEAD)	1
30	53215-KPL-900	WASHER, STRG. HEAD DUST SEAL	1
31	53215-KTP-900	BALL ASSY, STRG.	1
32	90101-087-720	SCREW, HEAD LIGHT SET	2
33	90121-KTP-900	BOLT, HEX, 8 X 32	2
34	90309-KF0-000	NUT, FLANGE, 8 MM	2
35	90443-KPL-900	WASHER,SPECIAL, 8MM	2
36	90901-KPL-900	NIPPLE, GREASE, A-M6	2
37	91351-KPL-900	O-RING,22.1 X 1.9	4
38	95801-08055-08	BOLT, FLANGE, 8 X 55	2
39	96211-05000	BALL, STEEL #5	22
40	96211-08000	BALL STEEL 8 MM	17
41	33741-KRY-861	REFLEX, REFLECTOR	2
42	90302-KTE-911	NUT FLANGE PT 6MM	2

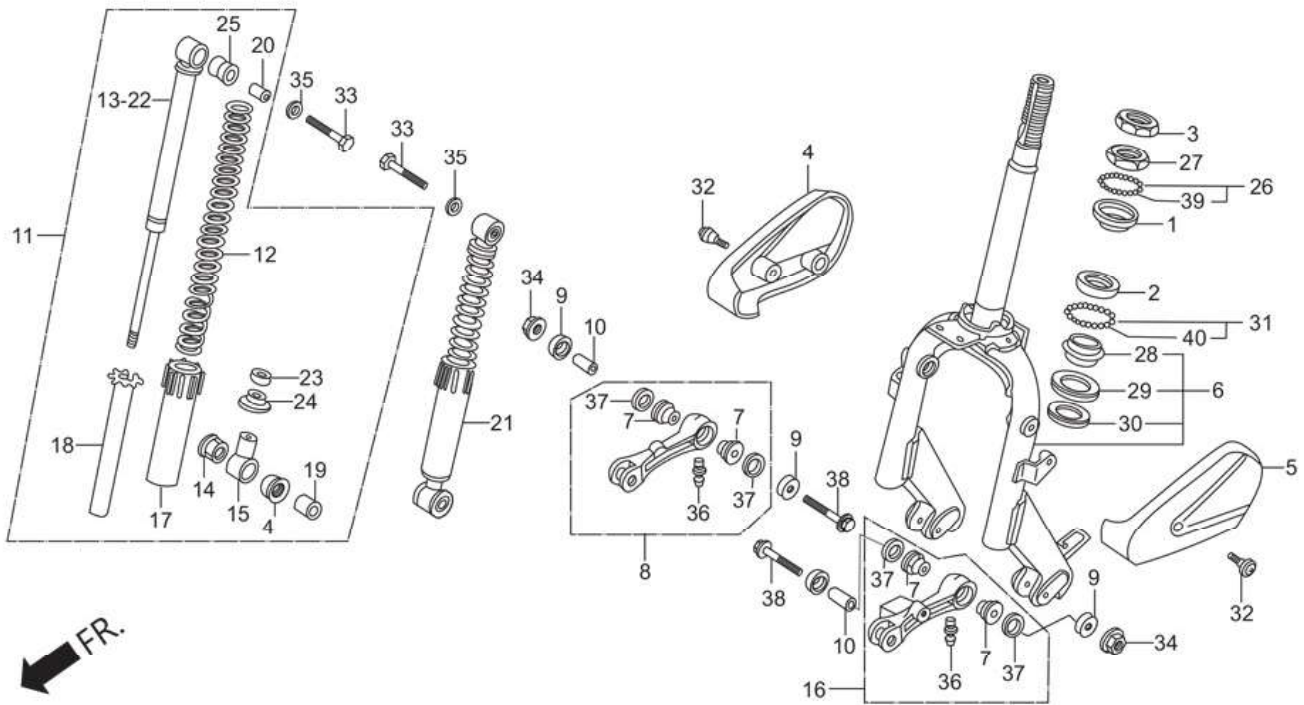
F-9A : STRG. STEM / FR. FORK



Group Number: F-9A Model :: Pleasure (Mar, 2014)

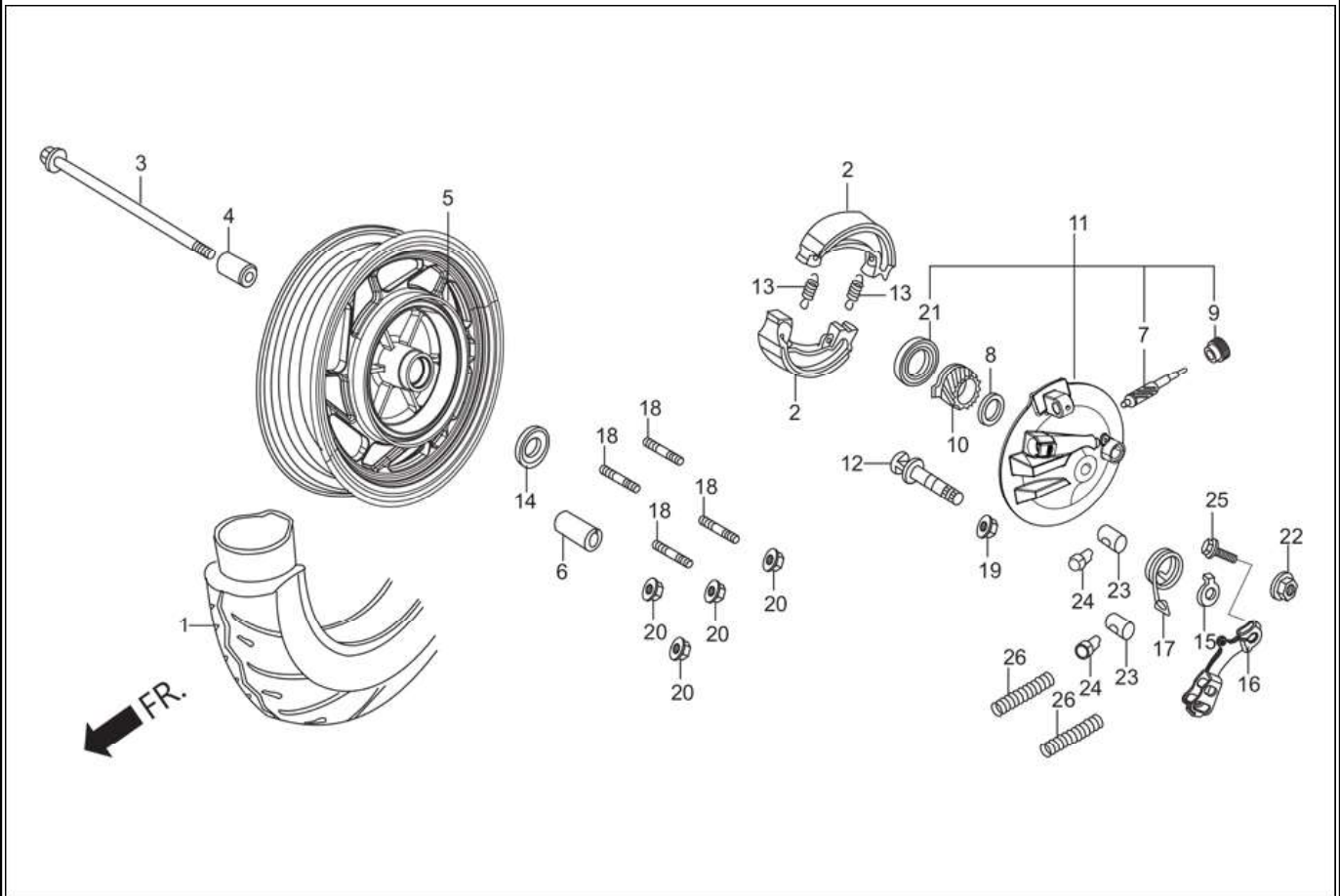
Ref No.	Part Number	Description	Req.
1	50301-KEM-900	RACE, UP STRG., BALL	1
2	50302-KPL-900	RACE, STRG., BOTTOM BALL	1
3	50306-KPL-900	NUT, STRG. STEM, LOCK	1
4	51103-KTP-900	COVER, R. PIVOT ARM	1
5	51104-KTP-900	COVER, L. PIVOT ARM	1
6	51105-AAL-100	FORK COMPLETE FR.	1
7	51314-KPL-900	BUSH, PIVOT ARM	4
8	51315-KPL-900	PIVOT ARM, SET R	1
9	51316-KPL-900	CAP, FR. DISTANCE COLLAR	4
10	51334-KPL-900	COLLAR, ARM, PIVOT	2
11	51400-KRP-982	CUSHION ASSY., R. FR	1
12	51401-KRP-981	SPRING,FR., CUSHION	2
13	51410-KRP-981	DAMPER COMP., R FRONT	1
14	51413-GC8-003	BUSH, FR. CUSHION UNDER	4
15	51414-GC8-003	METAL,COMP., BOTTOM	2
16	51415-KPL-900	PIVOT ARM, SET L	1
17	51421-KRP-981	CASE, FR. CUSHION, UNDER	2
18	51458-GC8-003	GUIDE, FR. CUSHION,SPRING	2
19	51486-GC8-003	COLLAR, RUBBER, BUSH	2
20	51486-KRP-981	COLLAR, FR. CUSHION, RUBBER BUSH	2
21	51500-KRP-982	CUSHION ASSY., L. FR	1
22	51510-KRP-981	DAMPER, COMP., L. FR	1
23	51516-GC8-003	SEAT, SPRING, UNDER	2
24	52475-KRP-981	RUBBER, STOPPER	2

F-9A : STRG. STEM / FR. FORK



25	52489-331-003	RUBBER, A JOINT	2
26	53210-KTP-900	BALL, ASSY, STRG.	1
27	53211-KEM-900	RACE, STRG. TOP CONE	1
28	53212-250-010	RACE, STRG. BOTTOM CONE	1
29	53214-250-000	DUST, SEAL STRG. (HEAD)	1
30	53215-KPL-900	WASHER, STRG. HEAD DUST SEAL	1
31	53215-KTP-900	BALL ASSY, STRG.	1
32	90101-087-720	SCREW, HEAD LIGHT SET	2
33	90121-KTP-900	BOLT, HEX, 8 X 32	2
34	90309-KF0-000	NUT, FLANGE, 8 MM	2
35	90443-KPL-900	WASHER,SPECIAL, 8MM	2
36	90901-KPL-900	NIPPLE, GREASE, A-M6	2
37	91351-KPL-900	O-RING,22.1 X 1.9	4
38	95801-08055-08	BOLT, FLANGE, 8 X 55	2
39	96211-05000	BALL, STEEL #5	22
40	96211-08000	BALL STEEL 8 MM	17

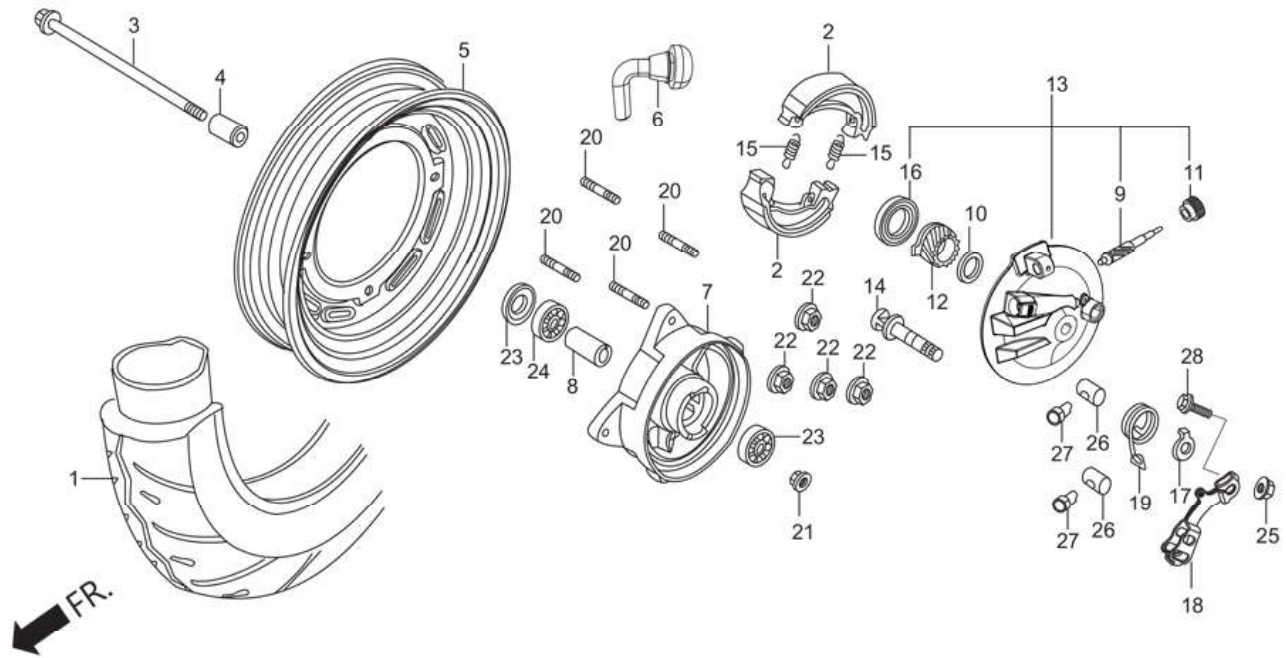
F-10-VX : FRONT WHEEL



Group Number: F-10-VX Model :: Pleasure (Mar, 2014)

Ref No.	Part Number	Description	Req.
1	42711-AAL-00099	TYRE	1
2	45125-AAH-F0099	SHOE COMP BRAKE	2
3	44301-KPL-900	AXLE, FRONT WHEEL	1
4	44311-KPL-900	COLLAR, FR. WHEEL SIDE	1
5	44601-AAL-010	WHEEL COMP FRONT	1
6	44620-KTP-900	COLLAR, FR. WHEEL DISTANCE	1
7	44805-KTP-900	PINION, SPDMT	1
8	44809-170-000	WASHER, SPEEDOMETER GEAR	1
9	44810-KTC-900	BUSH, PINION	1
10	44811-KPL-900	GEAR, SPDMT	1
11	45010-AAL-010	PANEL SUB COMP. FR BRAKE	1
12	45141-AAL-100	CAM FR. BRAKE	1
13	45133-KCC-900	SPRING, FR. BRAKE SHOE	2
14	45134-250-000	DUST SEAL, BRAKE CAM	1
15	45145-KPL-900	INDICATOR, FRONT BRAKE	1
16	45410-AAL-100	ARM FR. BRAKE	1
17	45435-GB2-720	SPRING, BRAKE ARM RETURN	1
18	90110-KPL-900	BOLT, STUD, 8X22	4
19	90306-KF0-000	NUT, FLANGE, 12 MM	1
20	90309-KF0-000	NUT, FLANGE, 8 MM	4
21	90754-KPL-900	SEAL, DUST 20 X 32 X 5	1
22	94050-06000	NUT, FLANGE, 6 MM	1
23	43455-AAL-100	JOINT BRAKE ARM	2
24	45459-AAL-100	NUT BRAKE ADJUSTING	2

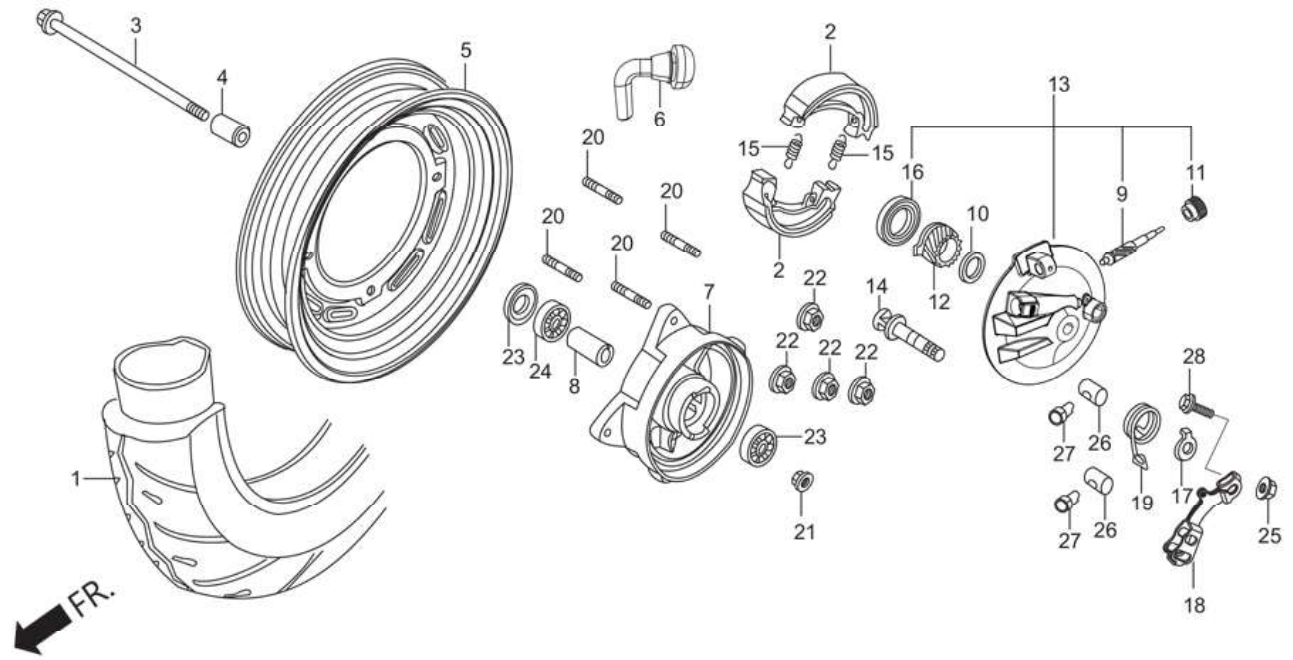
F-10A-LX : SHEET METAL



Group Number: F-10A-LX Model :: Pleasure (Mar, 2014)

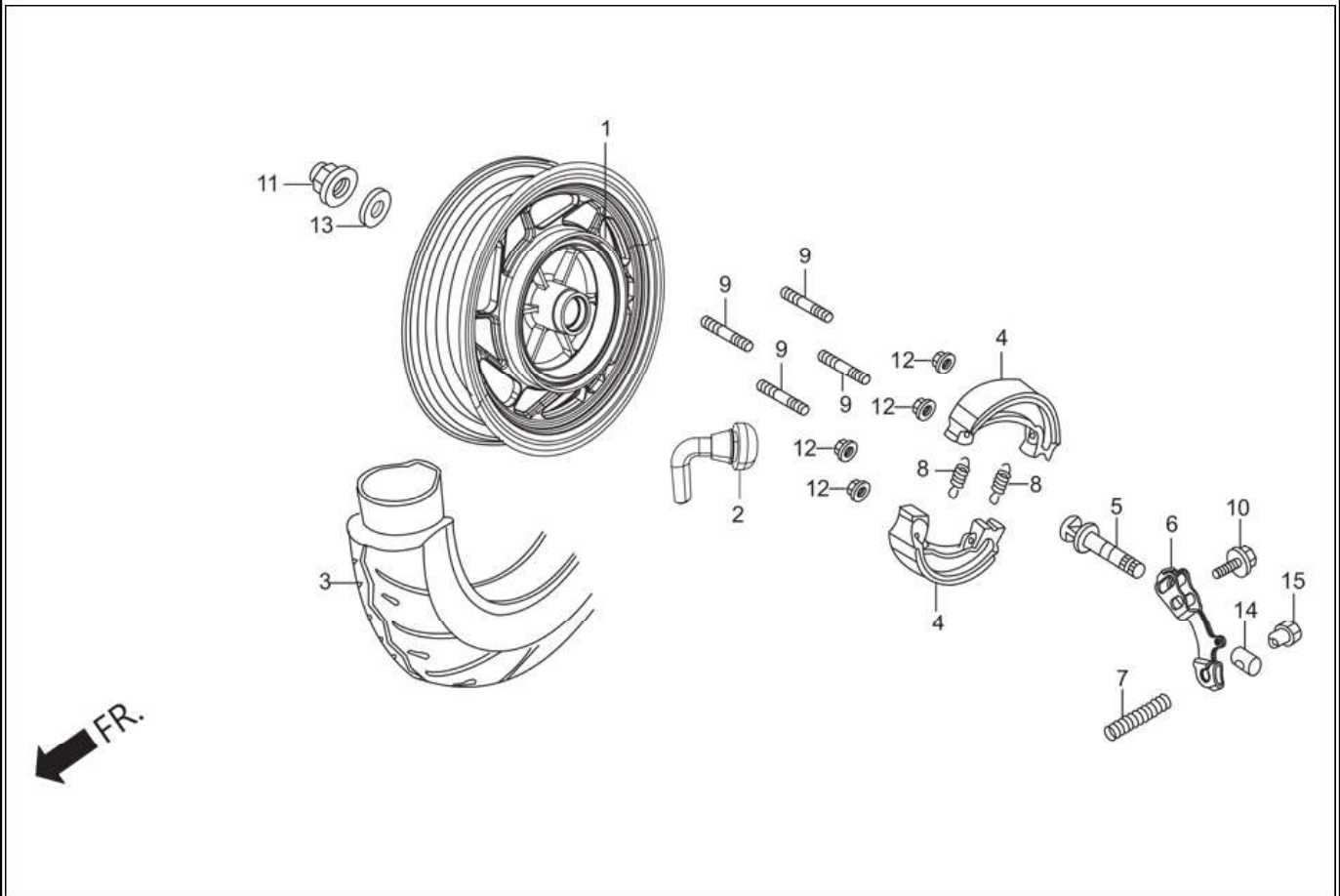
Ref No.	Part Number	Description	Req.
1	42711-AAL-00099	TYRE	1
2	45125-AAH-F0099	SHOE COMP BRAKE	2
3	44301-KPL-900	AXLE, FRONT WHEEL	1
4	44311-KPL-900	COLLAR, FR. WHEEL SIDE	1
5	42702-KPL-900	RIM COMP., WHEEL	1
6	42753-AAL-001	RIM, VALVE	1
7	44610-KTP-900	HUB SUB COMP. FR	1
8	44620-KTP-900	COLLAR, FR. WHEEL DISTANCE	1
9	44805-KTP-900	PINION, SPDMT	1
10	44809-170-000	WASHER, SPEEDOMETER GEAR	1
11	44810-KTC-900	BUSH, PINION	1
12	44811-KPL-900	GEAR, SPDMT	1
13	45010-AAL-010	PANEL SUB COMP. FR BRAKE	1
14	45141-AAL-100	CAM FR. BRAKE	1
15	45133-KCC-900	SPRING, FR. BRAKE SHOE	2
16	45134-250-000	DUST SEAL, BRAKE CAM	1
17	45145-KPL-900	INDICATOR, FRONT BRAKE	1
18	45410-AAL-100	ARM FR. BRAKE	1
19	45435-GB2-720	SPRING, BRAKE ARM RETURN	1
20	90110-KPL-900	BOLT, STUD, 8X22	4
21	90306-KF0-000	NUT, FLANGE, 12 MM	1
22	90309-KF0-000	NUT, FLANGE, 8 MM	4
23	90754-KPL-900	SEAL, DUST 20 X 32 X 5	1
24	90912-KPL-900	BEARING BALL RADIAL 6201(U)	2

F-10A-LX : SHEET METAL



25	94050-06000	NUT, FLANGE, 6 MM	1
26	95015-32001	JOINT B BRAKE ARM	2
27	95015-42000	NUT B ADJUST	2
28	95701-06032-00	BOLT, FLANGE, 6 X 32	1

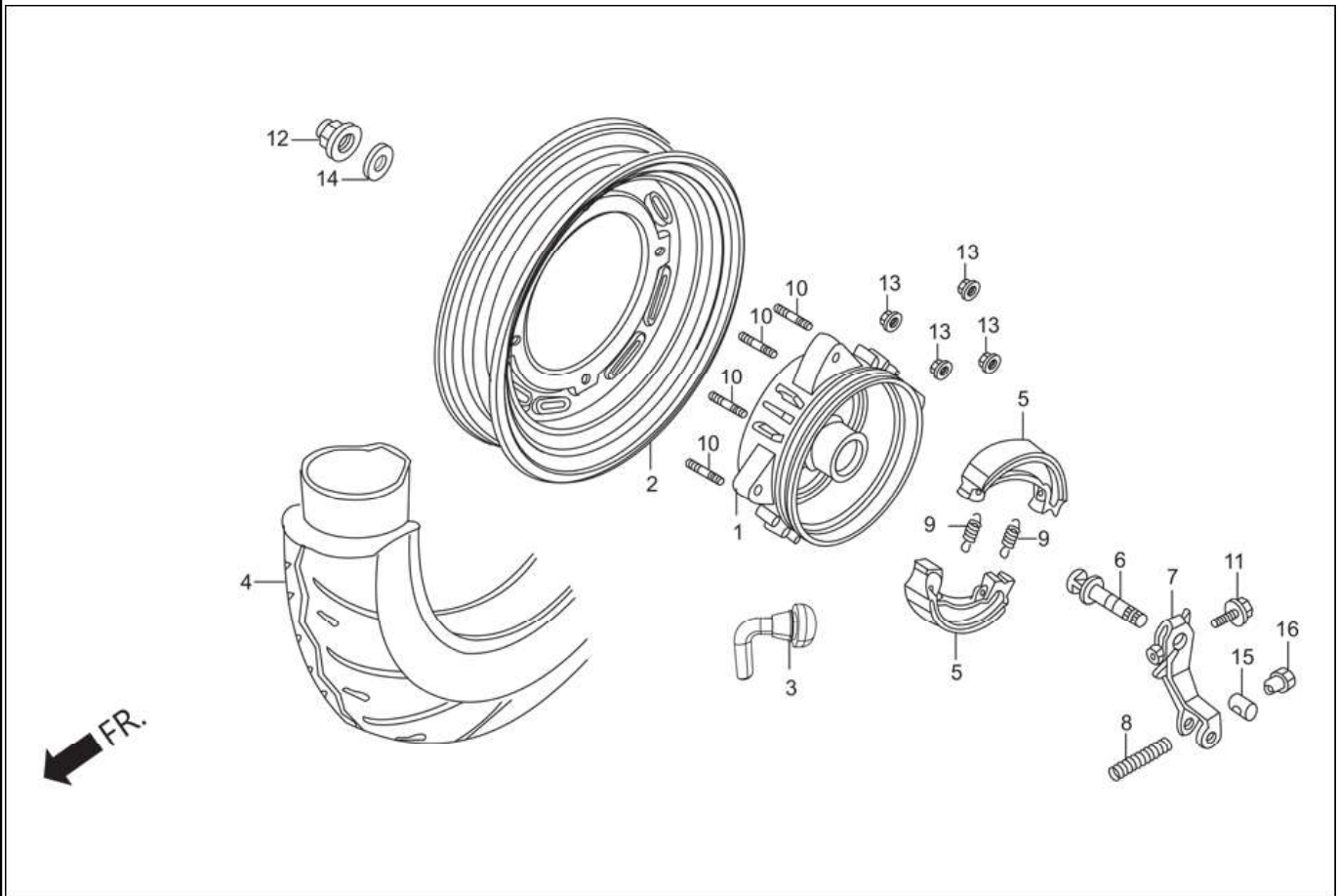
F-11-VX : REAR WHEEL



Group Number: F-11-VX Model :: Pleasure (Mar, 2014)

Ref No.	Part Number	Description	Req.
1	42601-AAL-010	WHEEL COMP REAR	1
2	42753-AAL-001	RIM,VALVE	1
3	42711-AAL-00099	TYRE	1
4	45125-AAH-F0099	SHOE COMP BRAKE	2
5	43141-AAL-100	CAM REAR BRAKE	1
6	43410-AAL-100	ARM REAR BRAKE	1
7	43472-KPL-900	SPRING, REAR, BRAKE ARM	1
8	45133-KCC-900	SPRING, FR. BRAKE SHOE	2
9	90110-KPL-900	BOLT, STUD, 8X22	4
10	90112-KTP-900	BOLT, FLANGE, 6X32	1
11	90305-KPL-900	NUT, HEX, SPL., 16MM	1
12	90309-KF0-000	NUT, FLANGE, 8 MM	4
13	90501-KPL-900	WASHER, 16 MM	1
14	95015-32001	JOINT B BRAKE ARM	1
15	95015-42000	NUT B ADJUST	1

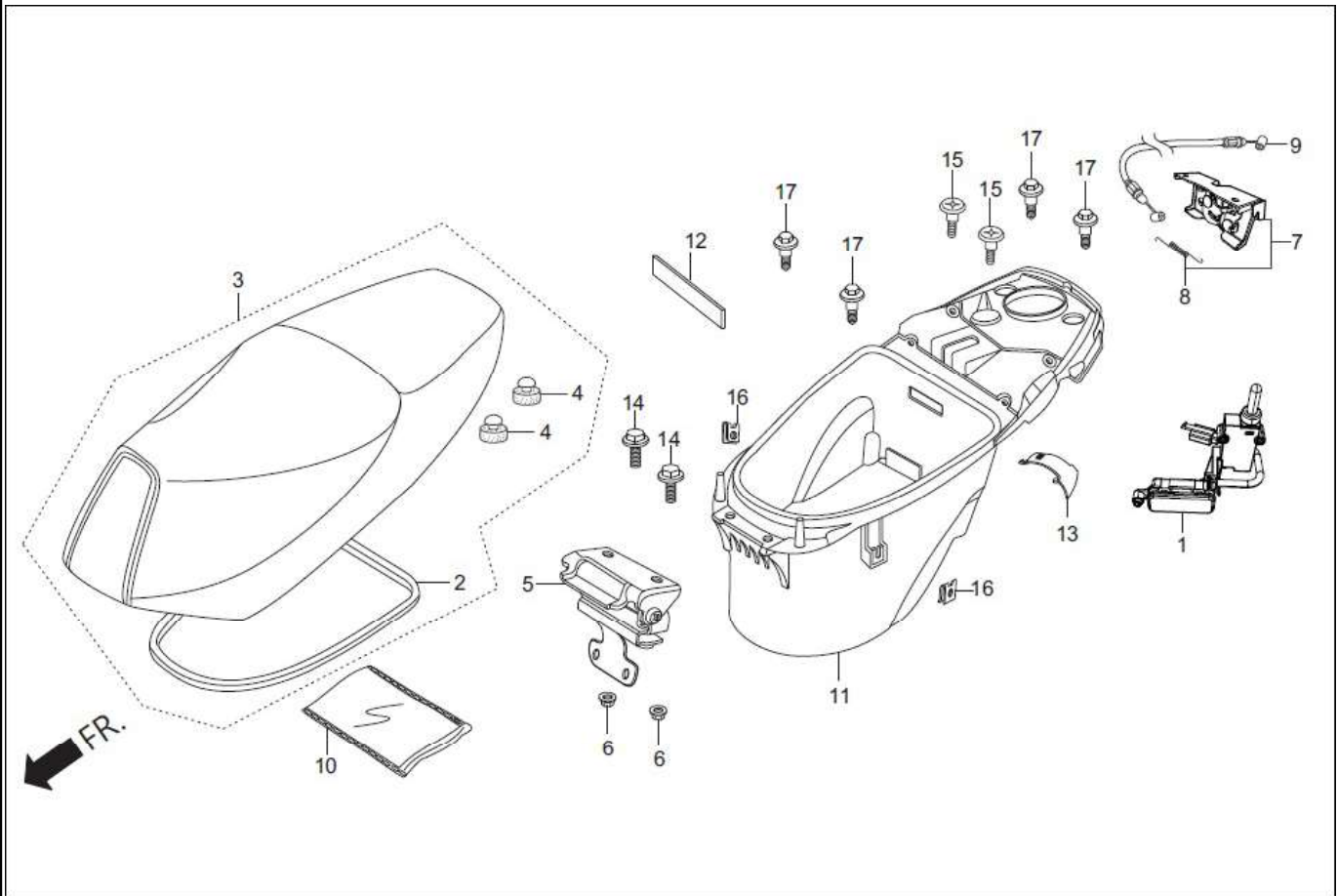
F-11A-LX : SHEET METAL



Group Number: F-11A-LX Model :: Pleasure (Mar, 2014)

Ref No.	Part Number	Description	Req.
1	42610-KPL-900	HUB SUB COMP. RR	1
2	42702-KPL-900	RIM COMP., WHEEL	1
3	42753-AAL-001	RIM, VALVE	1
4	42711-AAL-00099	TYRE	1
5	45125-AAH-F0099	SHOE COMP BRAKE	2
6	43141-AAL-100	CAM REAR BRAKE	1
7	43410-AAL-100	ARM REAR BRAKE	1
8	43472-KPL-900	SPRING, REAR, BRAKE ARM	1
9	45133-KCC-900	SPRING, FR. BRAKE SHOE	2
10	90110-KPL-900	BOLT, STUD, 8X22	4
11	90112-KTP-900	BOLT, FLANGE, 6X32	1
12	90305-KPL-900	NUT, HEX, SPL., 16MM	1
13	90309-KF0-000	NUT, FLANGE, 8 MM	4
14	90501-KPL-900	WASHER, 16 MM	1
15	95015-32001	JOINT B BRAKE ARM	1
16	95015-42000	NUT B ADJUST	1

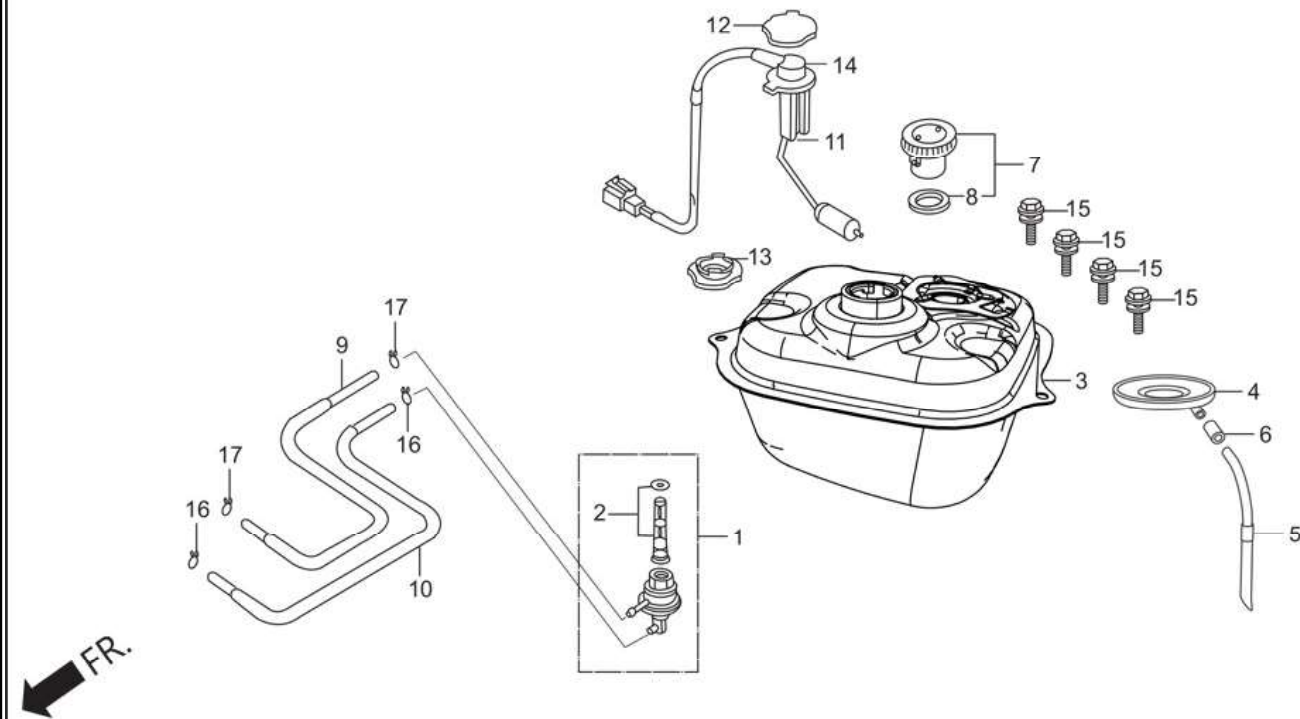
F-12 : SEAT / LUGGAGE BOX



Group Number: F-12 Model :: Pleasure (Mar, 2014)

Ref No.	Part Number	Description	Req.
1	33200-AAL-001	LIGHT ASSY.BOOT	1
2	77115-KTP-900	RUBBER SEAL	1
3	77200-AAL-H00	SEAT COMP DOUBLE	1
4	77206-KG8-900	RUBBER, SEAT SETTING	2
5	77210-KTP-900	HINGE ASSY, SEAT	1
6	94050-06000	NUT, FLANGE, 6 MM	2
7	77235-AAL-000	SEAT CATCH COMP	1
8	77236-GBL-000	SPRING SEAT CATCH	1
9	77240-AAL-000	CABLE SEAT CATCH	1
10	77251-KPL-900	BAG, SERVICE BOOK	1
11	81250-AAL-000	BOX LUGGAGE	1
12	81252-KTP-900	COVER , FRAME NUMBER	1
13	81255-KTP-900	COVER, CARBURETTOR MAITENANCE	1
14	90112-KRP-900	BOLT, FLANGE, 6X18	2
15	90116-KTP-900	SCREW WASH 5X16	2
16	90677-KAN-961	NUT CLIP 5MM	2
17	93404-06012-00	BOLT, WASHER, 6 X 12	4

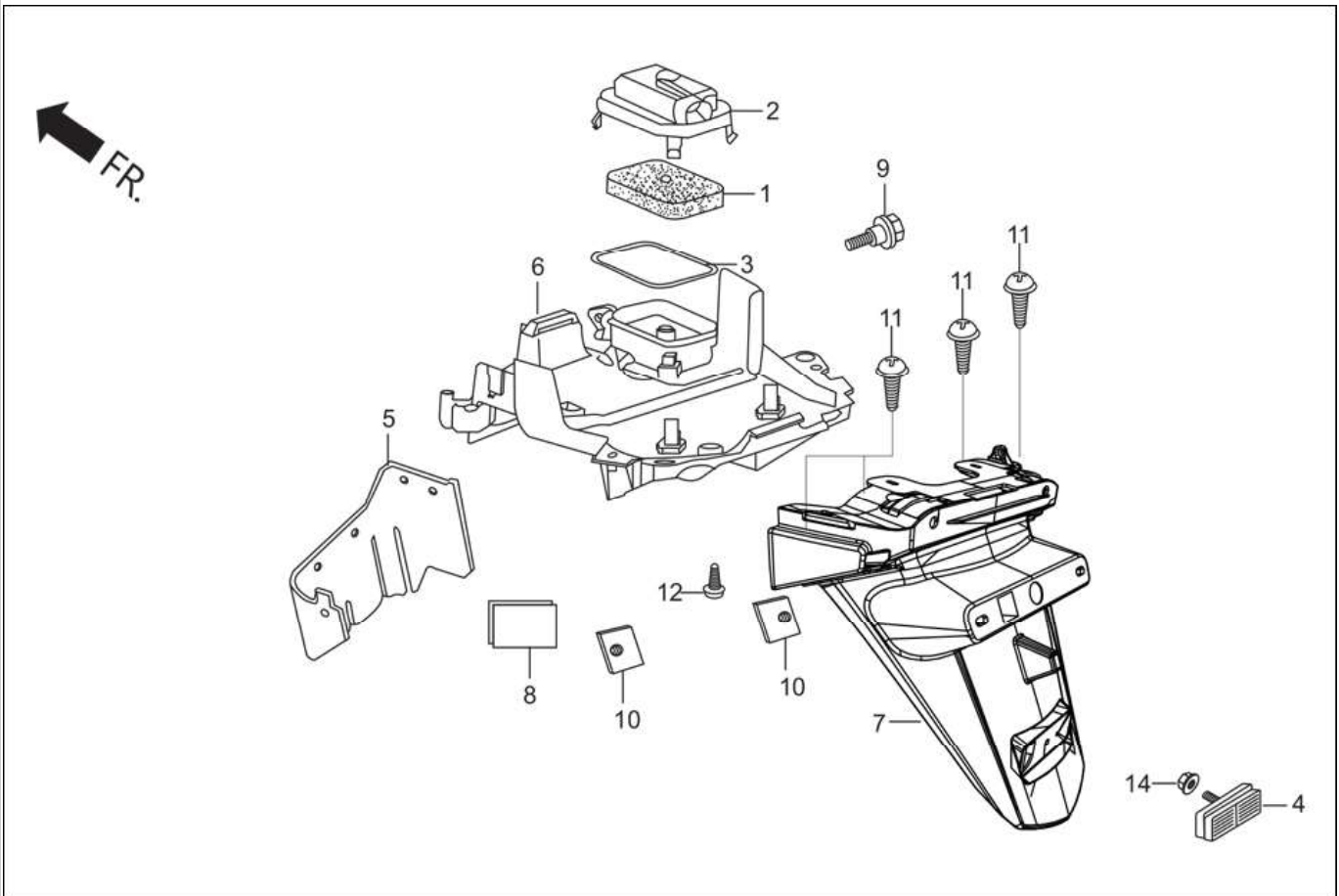
F-13 : FUEL TANK



Group Number: F-13 Model :: Pleasure (Mar, 2014)

Ref No.	Part Number	Description	Req.
1	16950-KRP-980	COCK ASSY.FUEL	1
2	16952-KRP-980	SET, FUEL STRAINER SCREEN	1
3	17500-AAL-H00	TANK COMP., FUEL	1
4	17505-KTP-900	TRAY FUEL	1
5	17515-KTP-900	V.TUBE 8X12X460	1
6	17525-KTP-900	JOINT FUEL TUBE	1
7	17620-KRP-980	CAP COMP, FUEL FILLER	1
8	17632-383-831	PACKING , FUEL FILLTER CAP	1
9	17683-KPL-900	TUBE COMP, FUEL	1
10	17684-KPL-840	TUBE COMP, VACUUM	1
11	37800-AAL-001	UNIT ASSY.FUEL	1
12	37801-GA7-700	PACKING, BASE	1
13	37802-GA7-700	RETAINER FUEL UNIT	1
14	37805-KG8-000	COVER, FUEL UNIT	1
15	93404-06012-08	BOLT, WASHER, 6 X 12	4
16	95002-02070	CLIP, B-7 TUBE	2
17	95002-02080	CLIP, TUBE	2

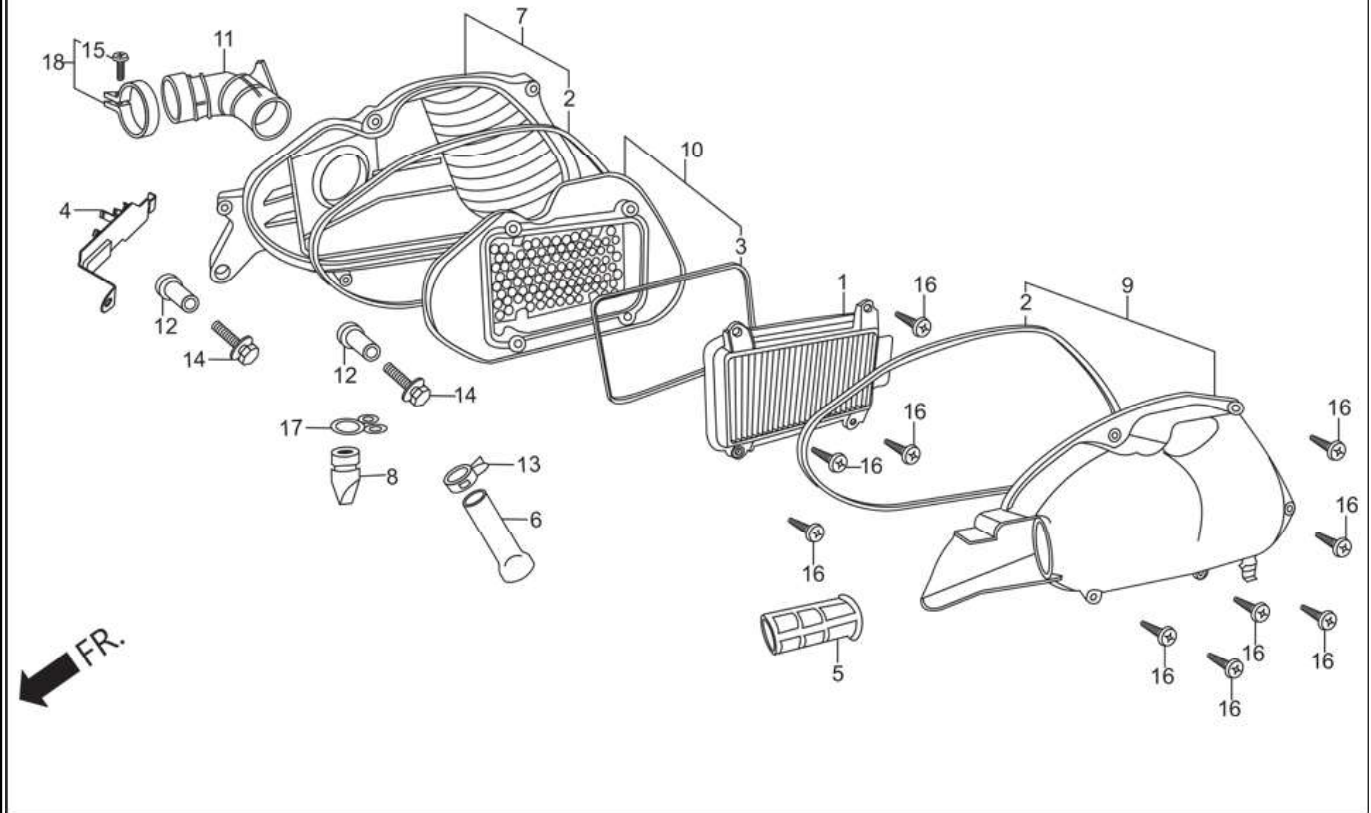
F-14 : REAR FENDER



Group Number: F-14 Model :: Pleasure (Mar, 2014)

Ref No.	Part Number	Description	Req.
1	18805-KPL-900	ELEMENT, SUB AIR CLEANER	1
2	18807-KPL-900	COVER, SUB AIR CLEANER	1
3	18812-KPL-900	SEAL, SUB AIR CLEANER	1
4	33741-KRY-861	REFLEX, REFLECTOR	1
5	80104-KTP-900	PLATE, RR. FENDER SP	1
6	80105-KTP-900	FENDER, RR. UPPER	1
7	80106-AAL-000	FENDER RR LOWER	1
8	80107-KPL-840	HEAT INSULATOR RR FENDER	1
9	90111-KPL-900	BOLT, INNER COVER	1
10	90301-KTP-900	NUT, RR. NO. PLATE	2
11	93903-24480	SCREW, TAPPING, 4X16	4
12	93903-25480	SCREW TAPPING 5X20	1
13	94050-06000	NUT, FLANGE, 6 MM	1

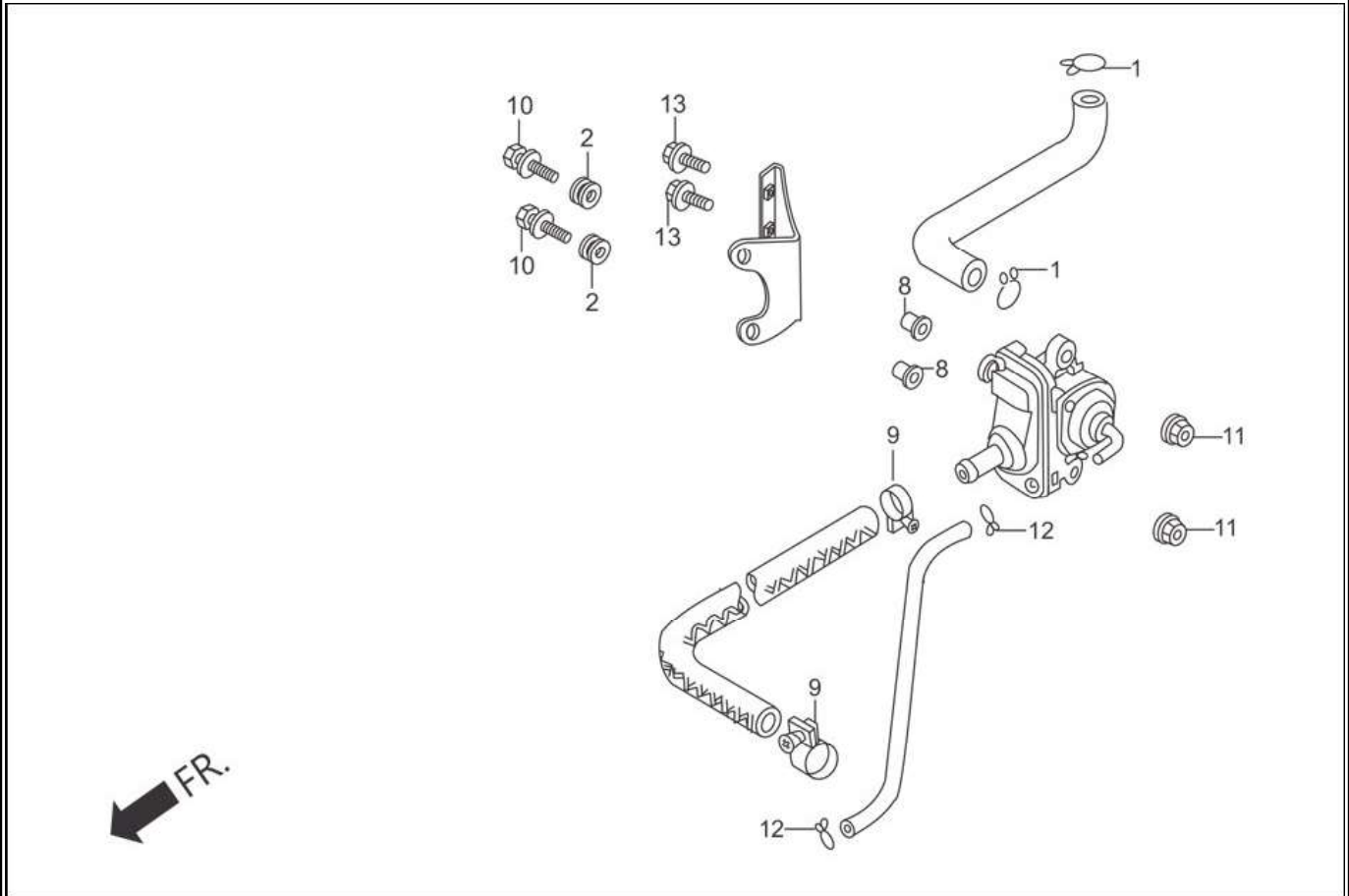
F-15 : AIR CLEANER



Group Number: F-15 Model :: Pleasure (Mar, 2014)

Ref No.	Part Number	Description	Req.
1	17210-AAW-300	ELEMENT COMP AIR/C	1
2	17212-KTP-900	SEAL, AIR CLEANER COVER	2
3	17213-KTP-900	SEAL, AIR/C ELEMENT	1
4	17214-KWA-840	BAND, BATTERY	1
5	17215-KRP-980	DUCT, AIR CLEANER	1
6	17216-KTP-900	TUBE, DRAIN	1
7	17225-KTP-900H	CASE SUB ASSY. AIR/C	1
8	17234-KCC-940	TUBE AIR CLEANER DRAIN	1
9	17235-KTP-900	COVER SUB ASSY., AIR/C	1
10	17245-KTP-900	HOLDER SUB ASSY., AIR/C.	1
11	17253-KTP-900	TUBE AIR/C CONN.	1
12	50731-KV3-770	COLLAR, PILLION STEP SET	2
13	90602-KPL-900	CLAMP, D12 TUBE	1
14	93404-06040-07	BOLT, WASH, 6 X 40	2
15	93500-04025-0G	SCREW, PAN, 4X25	1
16	93903-25480	SCREW TAPPING 5X20	10
17	95002-02130	CLIP B 12.5 TUBE	1
18	95018-40250	BAND 46, AIR/C CONN. TUBE	1

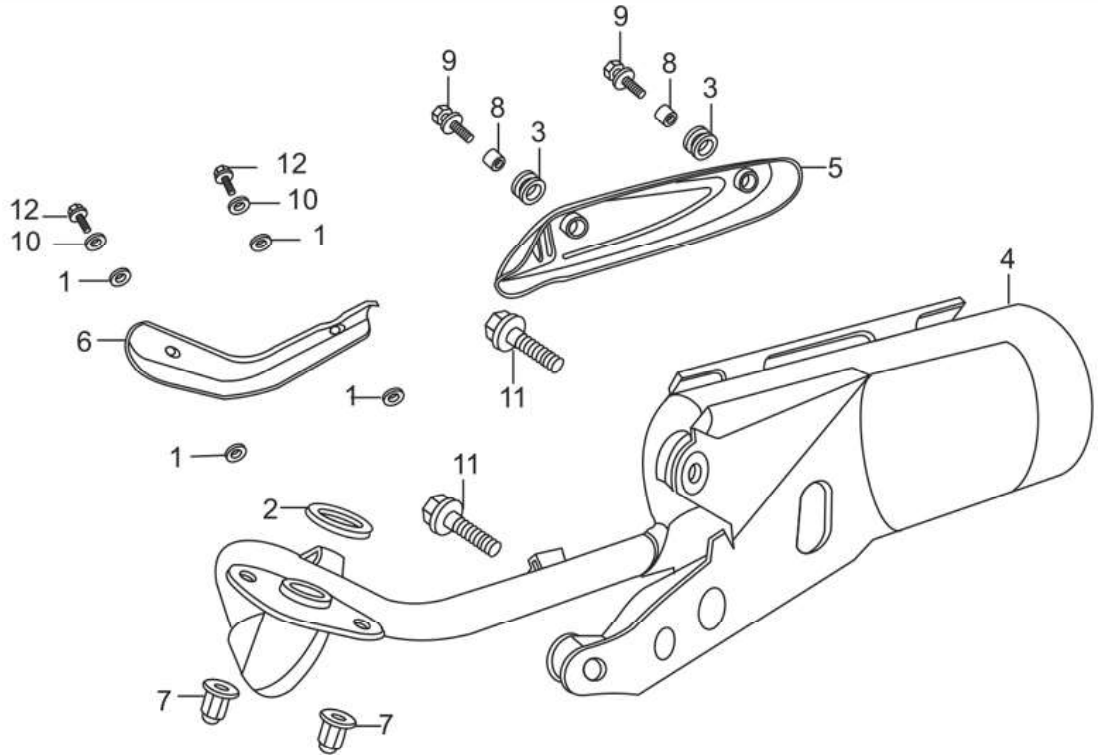
F-15-A : AIR SUCTION VALVE



Group Number: F-15-A Model :: Pleasure (Mar, 2014)

Ref No.	Part Number	Description	Req.
1	17316-611-000	CLIP, BREATHER TUBE	2
2	17622-GB7-900	RUBBER, CUSHION	2
8	90501-KC2-750	WASHER, REGULATOR SETTING	2
9	91462-KM7-910	CLIP, TUBE	2
10	93404-06030-08	BOLT WASH 6X30	2
11	94050-06000	NUT, FLANGE, 6 MM	2
12	95002-02070	CLIP, B-7 TUBE	2
13	95701-06012-00	BOLT, FLANGE, 6X12	2

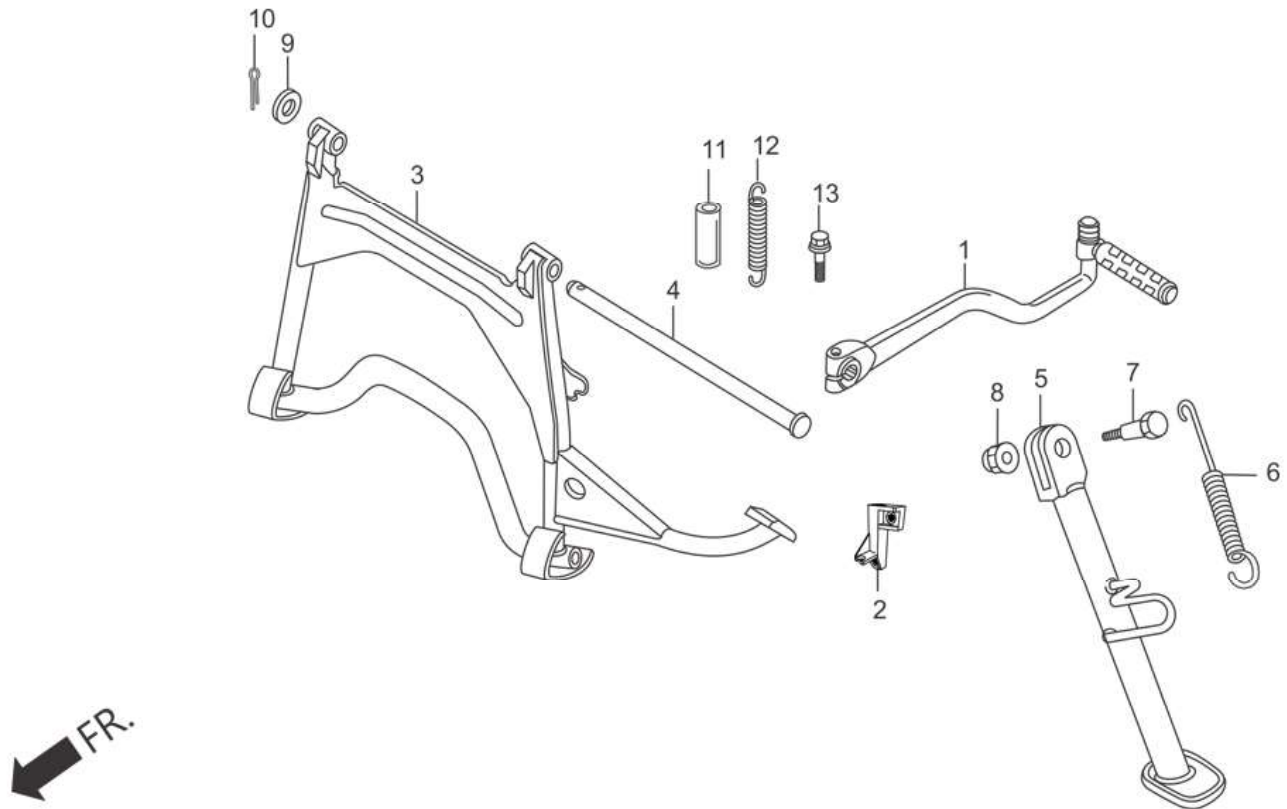
F-16 : EXHAUST MUFFLER



Group Number: F-16 Model :: Pleasure (Mar, 2014)

Ref No.	Part Number	Description	Req.
1	18292-KTP-900	PACKING, PROTECTOR	4
2	18292-GY1-610	GASKET, EXH.PIPE	1
3	18293-KTP-900	RUBBER, PKG, PROTECTOR	2
4	18300-AAL-H00	MUFFLER COMP EXH	1
5	18318-AAL-000	PROTECTOR MUFFLER	1
6	18319-KRP-900	PROTECTOR, EXE PIPE	1
7	90308-KPL-840	NUT, CAP, 6 MM	2
8	90312-KTP-900	COLLAR, M6	2
9	93404-06016-07	BOLT-WASHER, 6 X 16	2
10	94101-06700	WASHER, PLAIN, 6 MM	2
11	95801-10040-07	BOLT FLANGE, 10 X 40	2
12	96001-06010-07	BOLT FLANGE, SH., 6 X 10	2

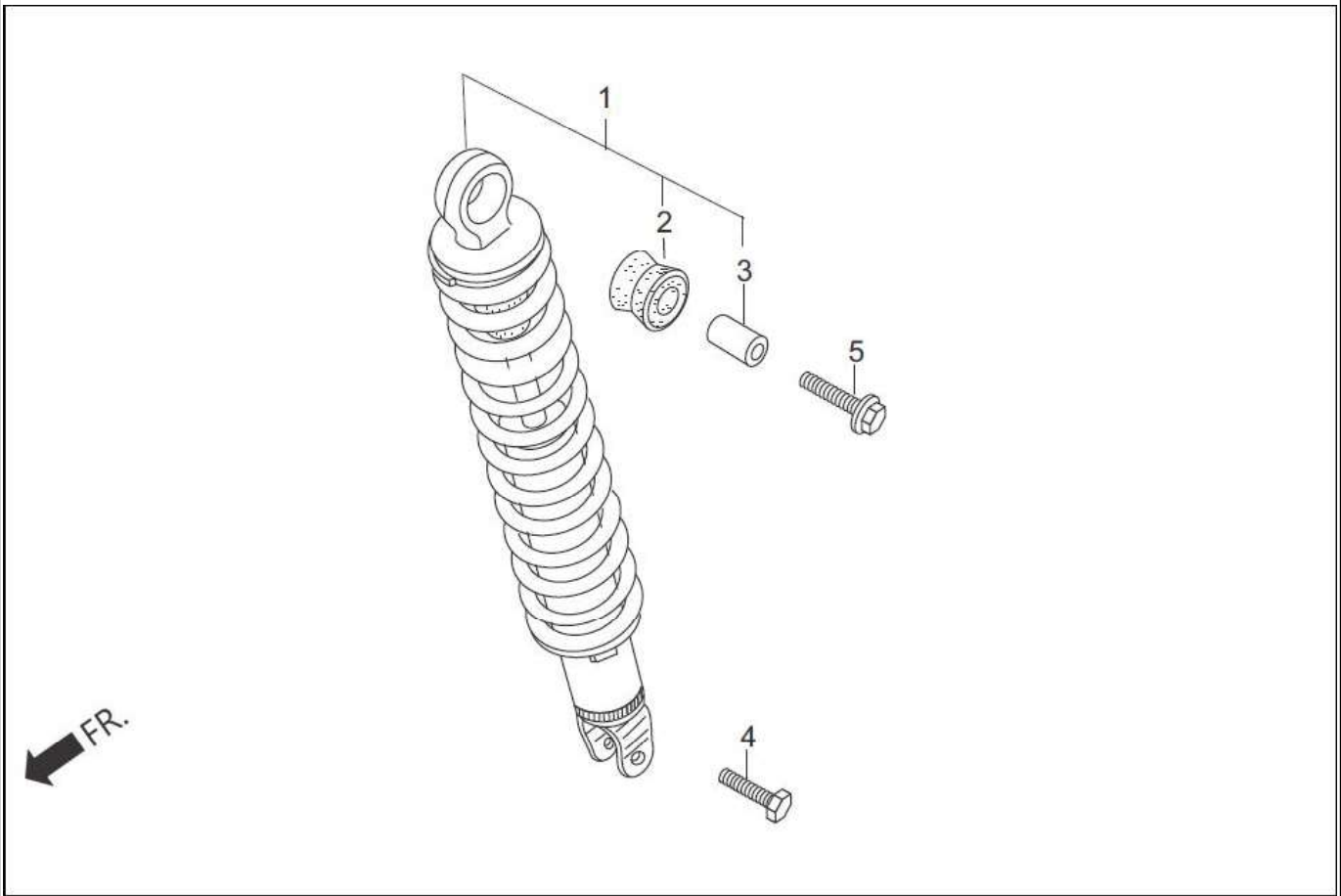
F-17 : ARM KICK START/MAIN STAND/STAND SIDE



Group Number: F-17 Model :: Pleasure (Mar, 2014)

Ref No.	Part Number	Description	Req.
1	28300-KVT-900	ARM ASSY., KICK STARTER	1
2	35140-AAL-001	SENSOR ASSY SIDE STAND	1
3	50500-KTP-900	STAND COMP., MAIN	1
4	50503-GCC-000	SHAFT, MAIN STAND	1
5	50530-KTP-900	BAR. COMP., SIDE STAND	1
6	50536-KPL-900	SPG. SIDE SET	1
7	90107-AAB-000	SCREW SIDE STAND PIVOT	1
8	90304-KCS-920	NUT`U 10 MM	1
9	94102-12000	WASHER, PLAIN, 12MM	1
10	94201-25250	PIN, SPLIT, 2.5X25	1
11	95005-14070-30	TUBE, 14X70	1
12	95014-71202	SPRING B., MAIN STAND	1
13	95701-08025-07	BOLT FLANGE 8X25	1

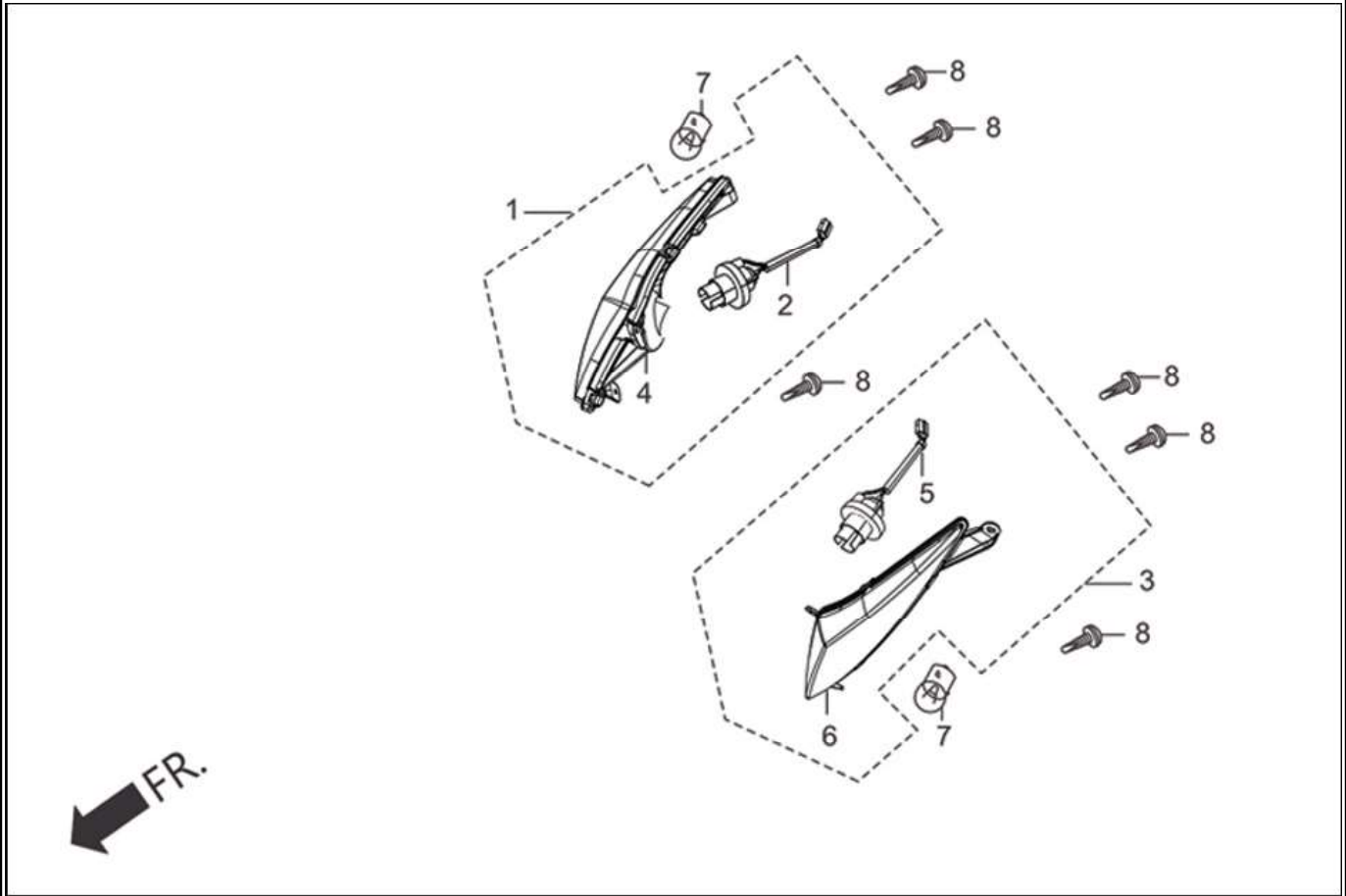
F-18 : REAR CUSHION



Group Number: F-18 Model :: Pleasure (Mar, 2014)

Ref No.	Part Number	Description	Req.
1	52400-KTP-901	CUSHION ASSY. REAR	1
2	52485-088-901	BUSH, RUBBER (UNDER)	1
3	52486-GA7-003	COLLAR, RUBBER BUSH (UNDER)	1
4	92201-08032-0A	BOLT, FLANGE, 8 X32	1
5	95801-10035-00	BOLT, FLANGE, 10X35	1

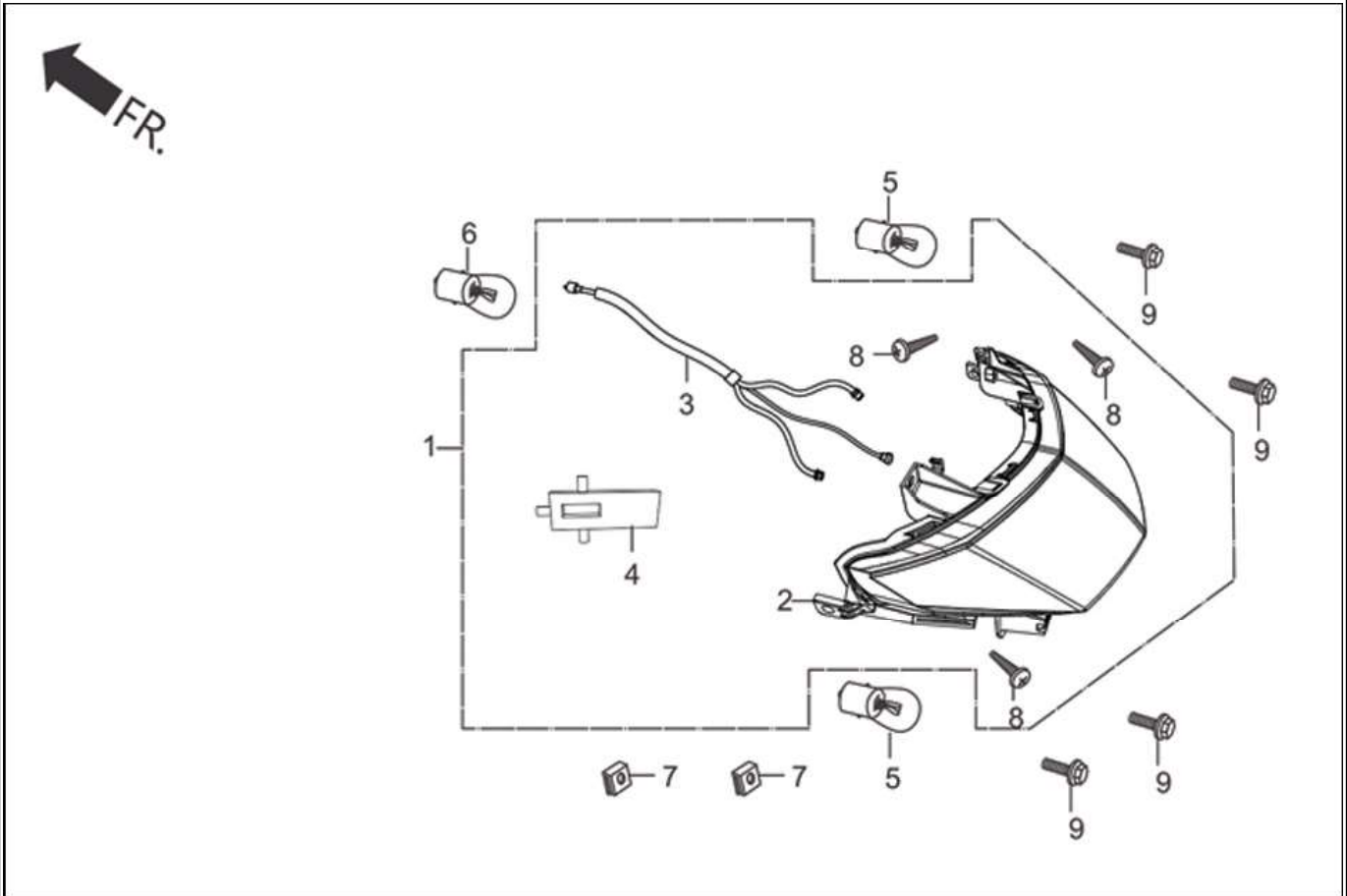
F-19 : FRONT WINKER



Group Number: F-19 Model :: Pleasure (Mar, 2014)

Ref No.	Part Number	Description	Req.
1	3340B-AAL-001	WINKER ASSY R FR(W/O BULB)	1
2	33405-AAL-001	SOCKET COMP R	1
3	3345B-AAL-001	WINKER ASSY L FR(W/O BULB)	1
4	33410-AAL-001	LENS COMP R	1
5	33455-AAL-001	SOCKET COMP L	1
6	33460-AAL-001	LENS COMP L	1
7	34930-AAC-700	BULB(12V 10W) AMBER	1
8	93903-34420	SCREW TAPPING 4X16	1

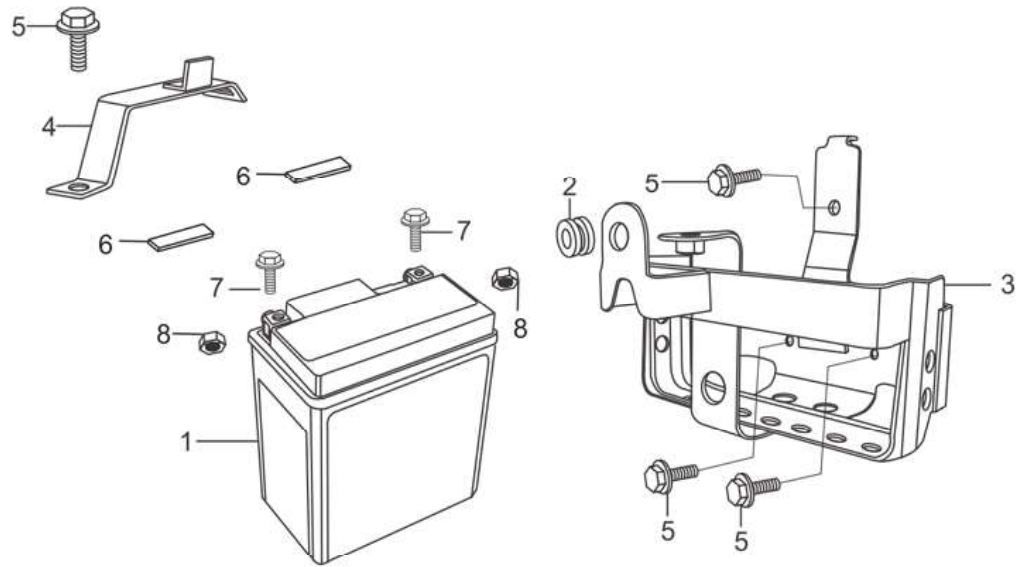
F-20 : REAR COMBINATION LIGHT



Group Number: F-20 Model :: Pleasure (Mar, 2014)

Ref No.	Part Number	Description	Req.
1	3370B-AAL-001	LIGHT ASSY REAR COMB(W/O BULB)	1
2	33710-AAL-001	UNIT RR COMB	1
3	33715-AAL-001	SOCKET COMP	1
4	37215-AAL-001	P CLAMP	1
5	34930-AAC-700	BULB(12V 10W) AMBER	2
6	34906-447-710	BULB, TAIL & STOP LIGHT (12V-21/5W)	1
7	90677-KAN-961	NUT CLIP 5MM	2
8	93901-22420	SCREW , TAPPING , 3X16	3
9	93404-06012-00	BOLT, WASHER, 6 X 12	4

F-21 : BATTERY

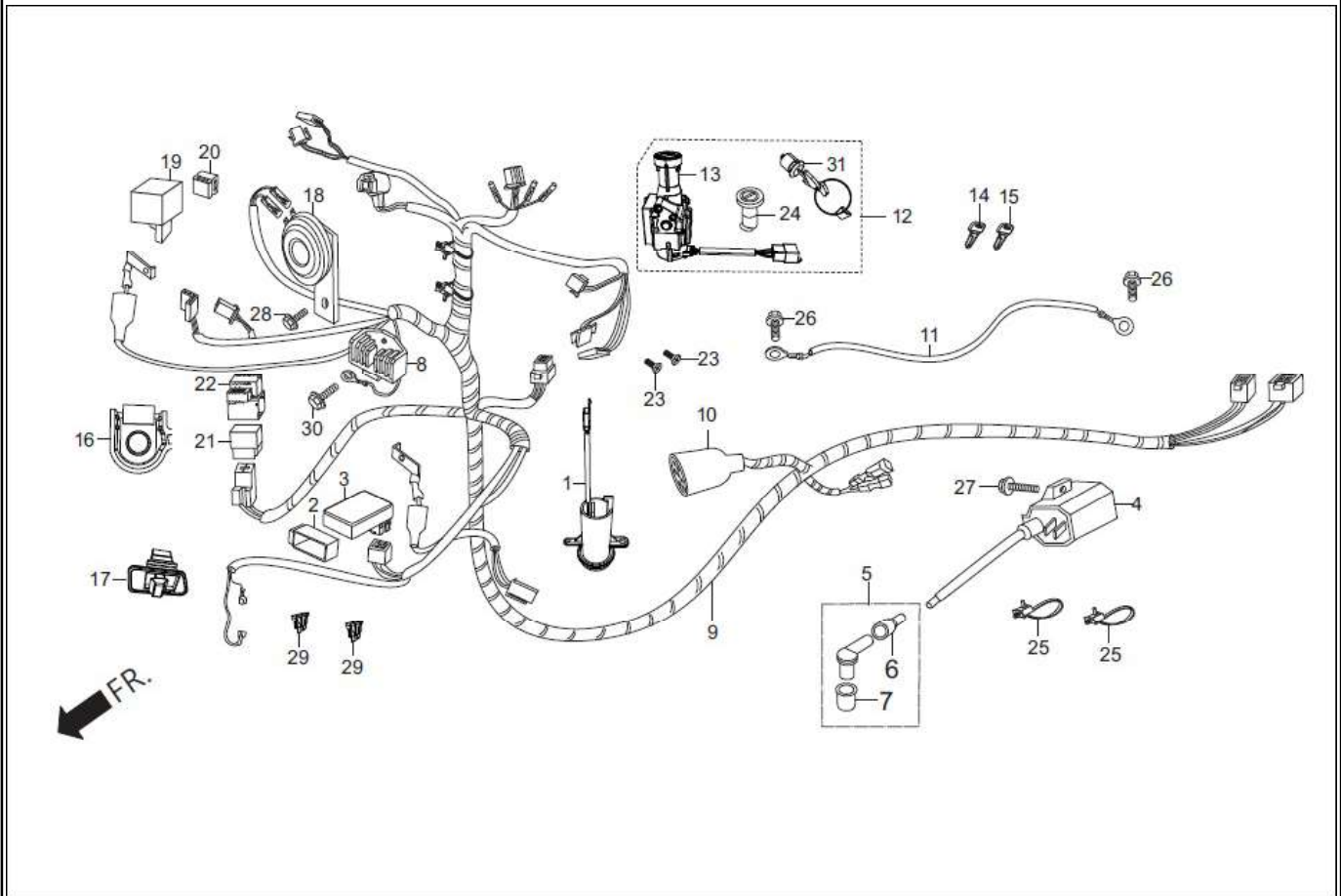


← FR.

Group Number: F-21 Model :: Pleasure (Mar, 2014)

Ref No.	Part Number	Description	Req.
1	31500-KRP-801	BATTERY ASSY	1
2	33715-965-000	RUBBER, TAIL LIGHT MTG.	1
3	50330-KTP-950	TRAY COMP., BATTERY	1
4	50338-KTP-950	BAND, BATTERY	1
5	95701-06012-00	BOLT, FLANGE, 6X12	4
6	50345-KTP-950	CUSHION BATTERY (COVENTIONAL BATTERY)	1
7	90122-KVT-941	BOLT BATTERY TERMINAL	2
8	90306-KVT-941	NUT BATTERY TERMINAL	2

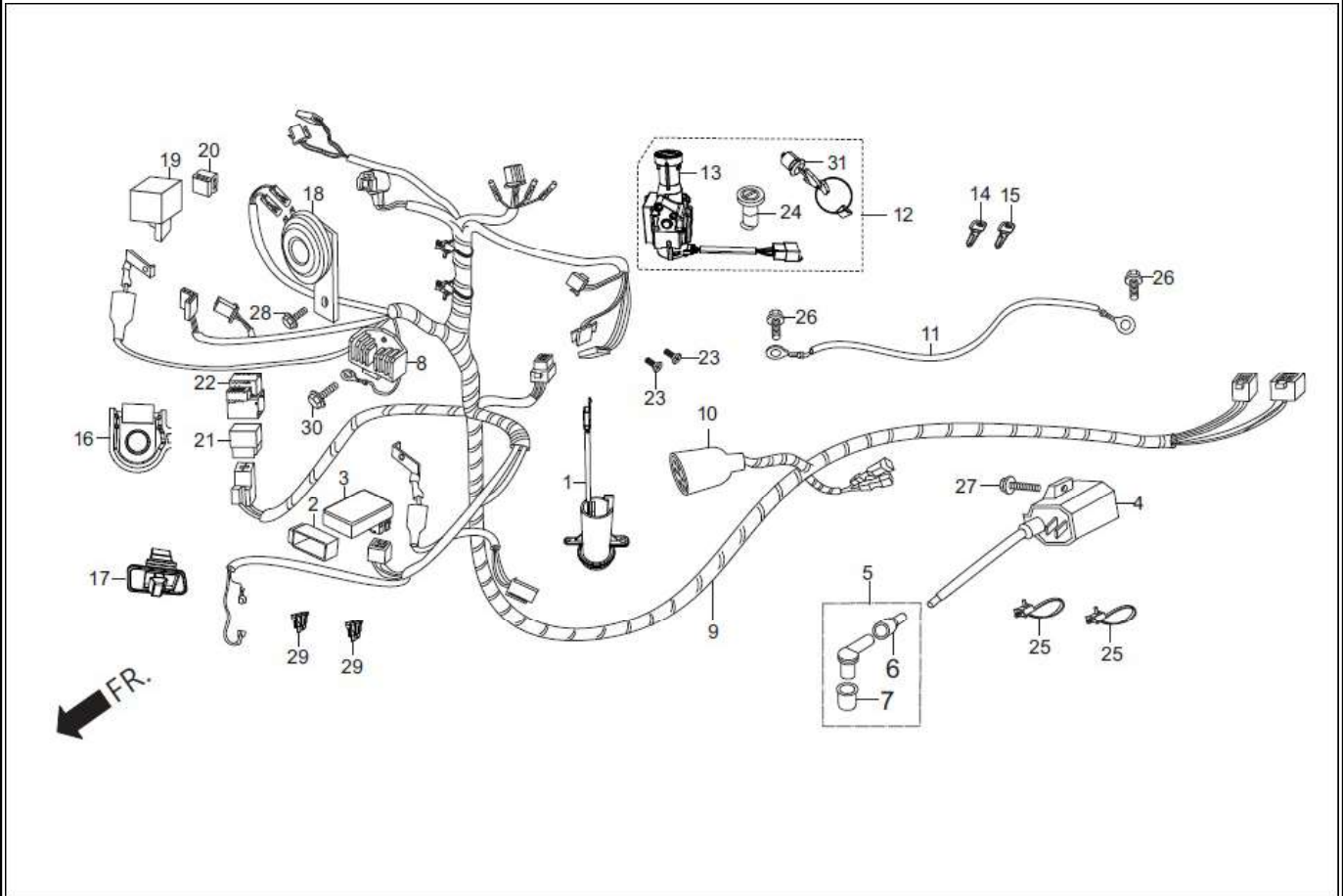
F-22 : WIRE HARNESS



Group Number: F-22 **Model ::** Pleasure (Mar, 2014)

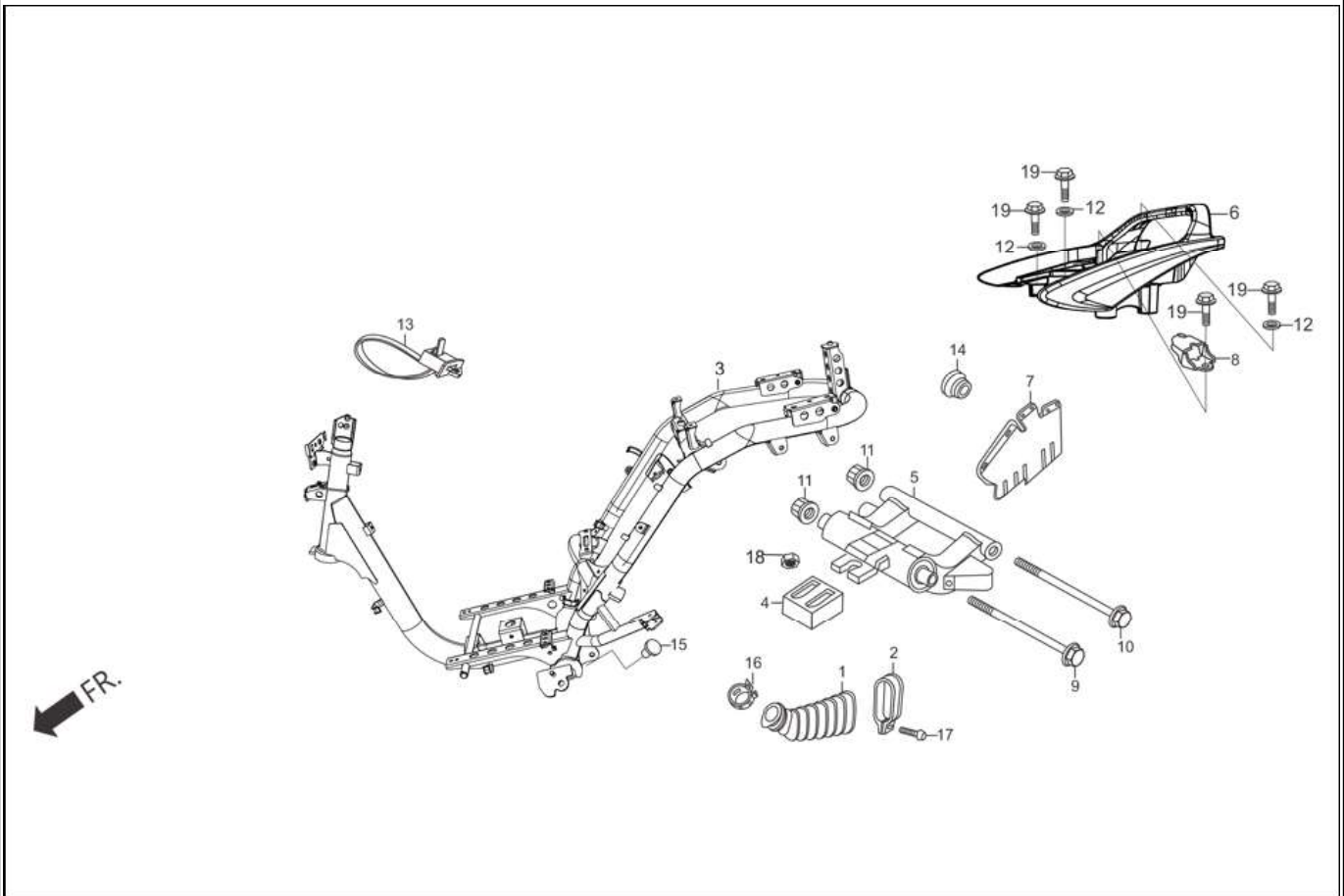
Ref No.	Part Number	Description	Req.
1	30100-AAL-001	SOCKET ASSY.MOBILE	1
2	30401-AAL-00099	CUSHION CDI UNIT	1
3	30410-AAL-00099	UNIT COMP CDI	1
4	30510-AAL-00099	COIL COMP. IGNITION	1
5	30700-KTP-951	CAP ASSY., NOISE SUPPRESSOR	1
6	30604-KTP-890	CAP, CORD WATER PROOF.	1
7	30605-KTP-951	SEAL, H/T TERMINAL	1
8	31600-KTP-891	REG. RECTIFIER COMP	1
9	32100-AAL-001	HARNESS WIRE	1
10	32108-GW6-700	COVER ,CONNECTOR	1
11	32603-KPL-780	CABLE, ENG-FRM. EARTH	1
12	35010-AAL-000	KEY SET	1
13	35100-AAL-001	SW ASSY COMB & LOCK	1
14	35121-AAL-H00	KEY BLANK NO 1	1
15	35122-AAL-H00	KEY BLANK NO 2	1
16	35130-AAL-001	MAGNET HOLDER	1
17	35150-AAL-001	SW UNIT LIGHTNING	1
18	38110-KTP-890	HORN COMP	1
19	38301-KWH-961	RELAY COMP,WINKER	1
20	38306-GE7-000	SUSPENSION, WINKER RELAY	1
21	38501-KTP-890	RELAY COMP., START	1
22	38506-KPL-900	SUSP . START RELAY	1
23	90164-KPL-900	SCREW, FLAT, U LOCK, 6X12	2
24	77239-AAL-H00	KEY SEAT LOCK	1

F-22 : WIRE HARNESS



25	90662-KPL-901	HARNESS, BAND	2
26	95701-06012-00	BOLT, FLANGE, 6X12	2
27	95701-06016-00	BOLT, FLANGE, 6X16	1
28	96001-06018-00	BOLT, FLANGE, 6 X 18	1
29	98200-31000	BLADE, FUSE 10A	2
30	96001-06030-00	BOLT, FLANGE, SH., 6 X 30	1
31	77232-AAL-000	LOCK ASSY INNER BOX	1

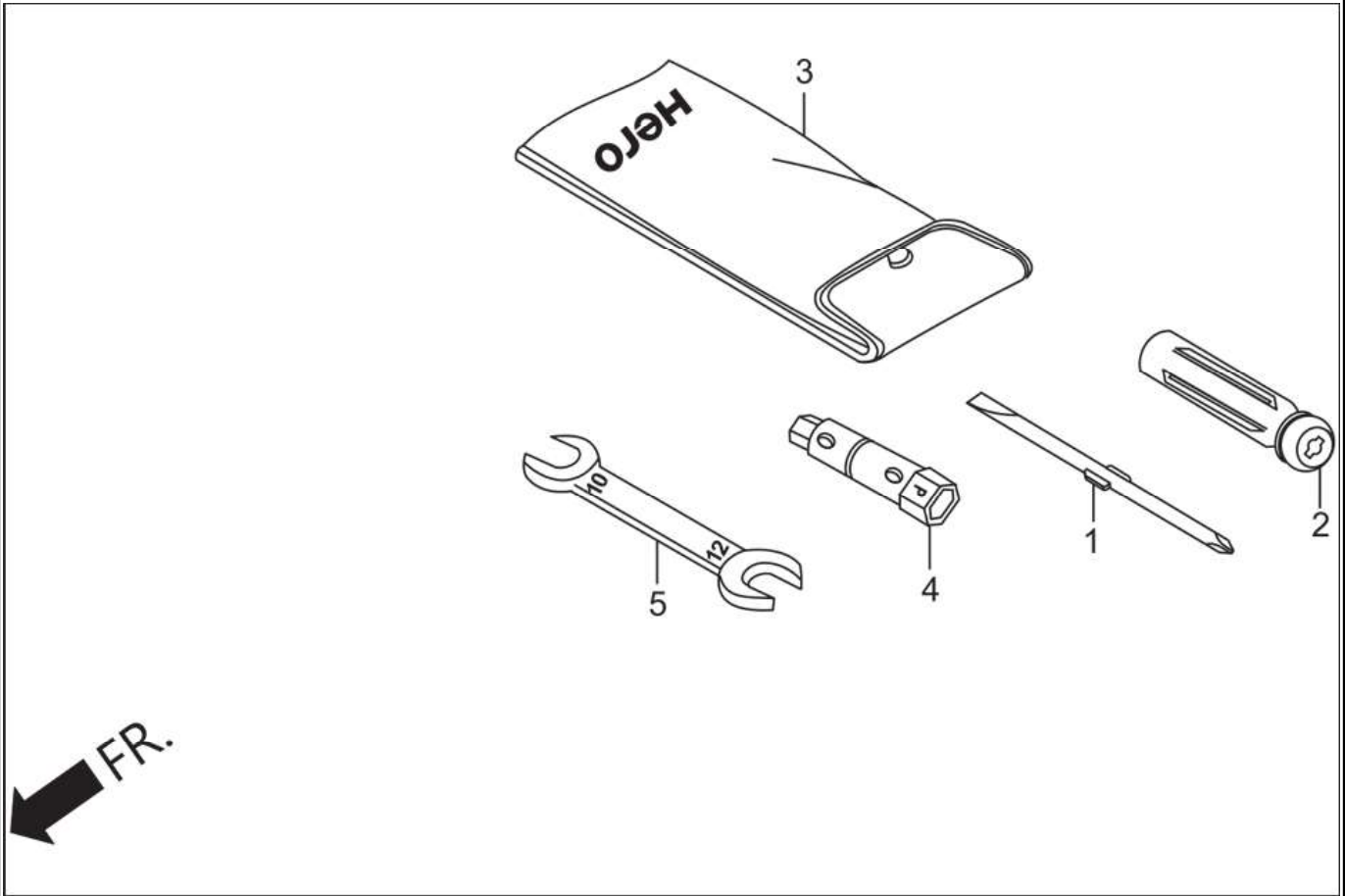
F-23 : FRAME BODY



Group Number: F-23 Model :: Pleasure (Mar, 2014)

Ref No.	Part Number	Description	Req.
1	11345-GCC-000	DUCT, L. COVER	1
2	11346-KCW-870	BAND, L. COVER. DUCT	1
3	50100-AAL-000	FRAME BODY COMP	1
4	50352-GW0-730	RUBBER, LINK STOPPER	1
5	50355-KPL-900	LINK, SUB ASSY., ENG. HANGER	1
6	77300-AAL-000	GRIP RR	1
7	80102-KTP-900	PLATE, FRAME, BODY SPLASH GUARD	1
8	81251-KTP-900	STAY, LUGGAGE BOX	1
9	90105-KJ9-000	BOLT, FLANGE 10X210	1
10	90106-GCC-000	BOLT, FLANGE 10X238	1
11	90304-KCS-920	NUT U 10 MM	2
12	90505-KY4-900	WASHER,PLAIN ,8 MM	3
13	90672-KPL-901	BODY, CLIP	1
14	90862-GCC-000	PLUG, FRAME, END	1
15	90862-KTP-900	PLUG SIDE STAND BRKT	1
16	91405-KPL-900	CLAMP, D29 TUBE	1
17	93500-04025-0G	SCREW, PAN, 4X25	1
18	94050-08000	NUT, FLANGE, 8MM	2
19	95701-08038-08	BOLT, FLANGE, 8X38	4

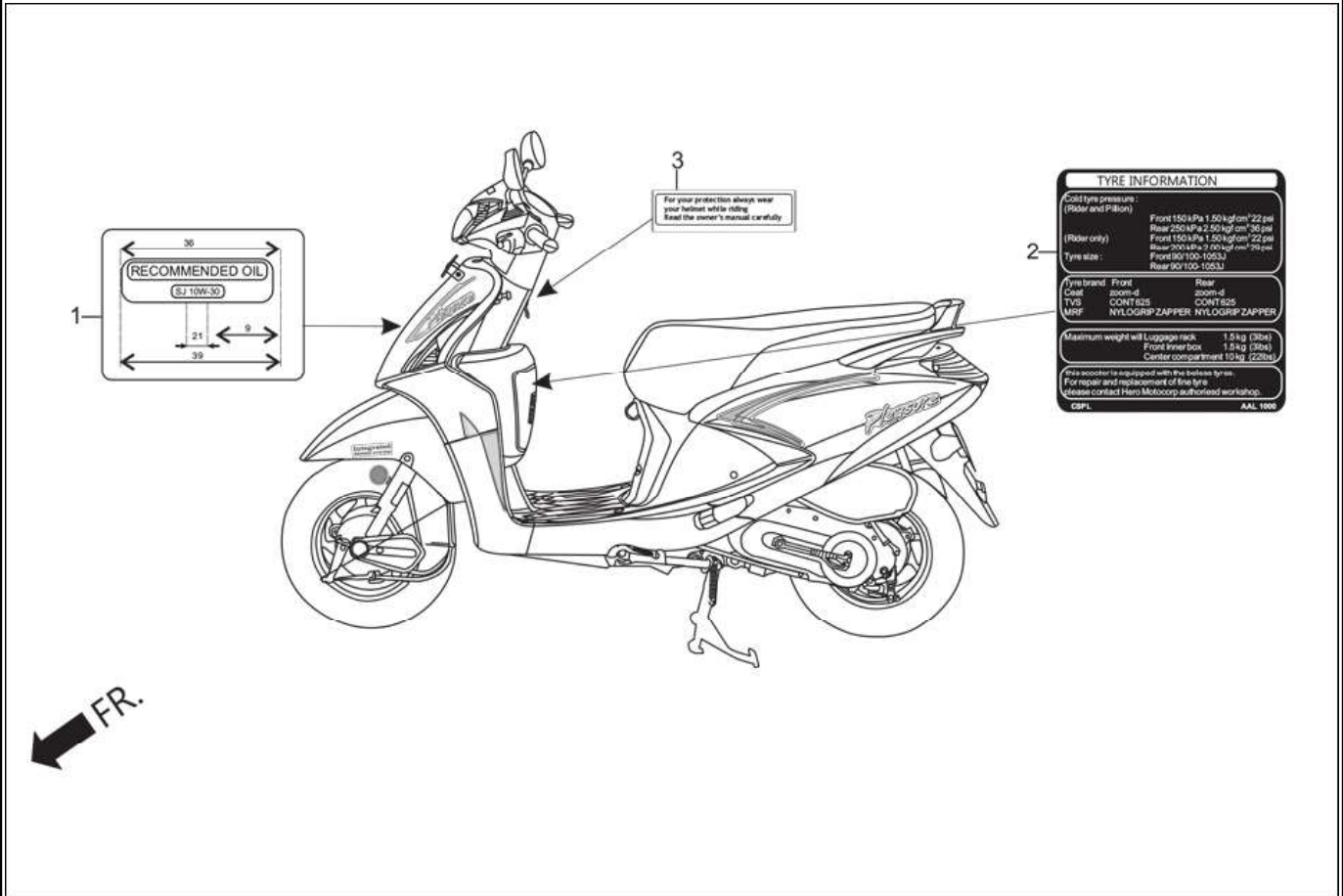
F-24 : TOOLS



Group Number: F-24 Model :: Pleasure (Mar, 2014)

Ref No.	Part Number	Description	Req.
1	89102-538-000	SCREW, DRIVER PLUS/MINUS	1
2	89103-538-000	GRIP, SCREW DRIVER	1
3	89216-AAD-H00	TOOL BAG	1
4	89216-KTP-900	WRENCH, PLUG(16)	1
5	89218-AAL-H00	SPANNER 14	1

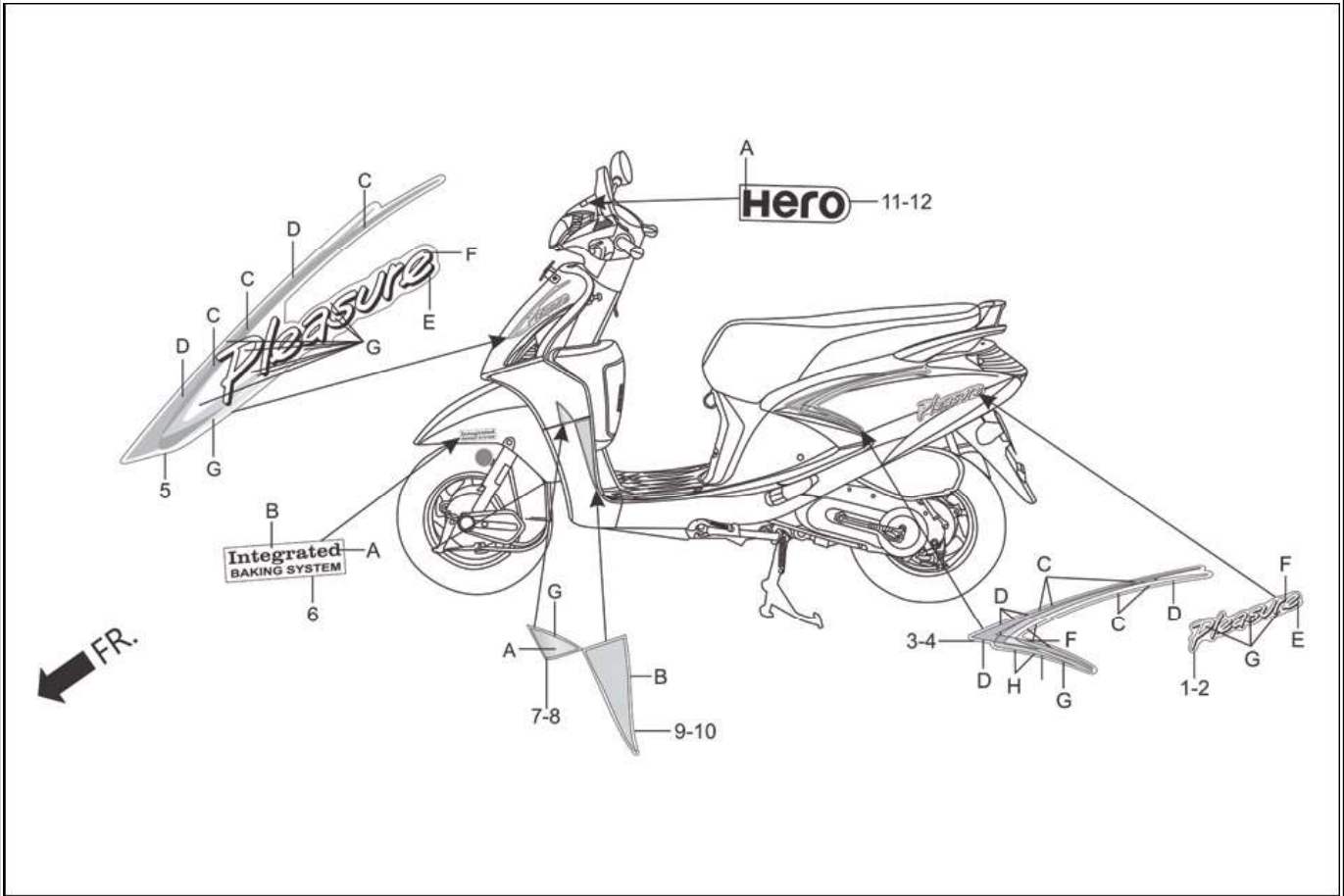
F-25 : CAUTION LABEL



Group Number: F-25 Model :: Pleasure (Mar, 2014)

Ref No.	Part Number	Description	Req.
1	87541-KTP-305	LABEL, OIL RECOMMENDATION	1
2	87505-AAL-100	LABEL TYRE	1
3	87560-MZ0-670	LABEL, DRIVE	1

F-26 : MARK / STRIPE



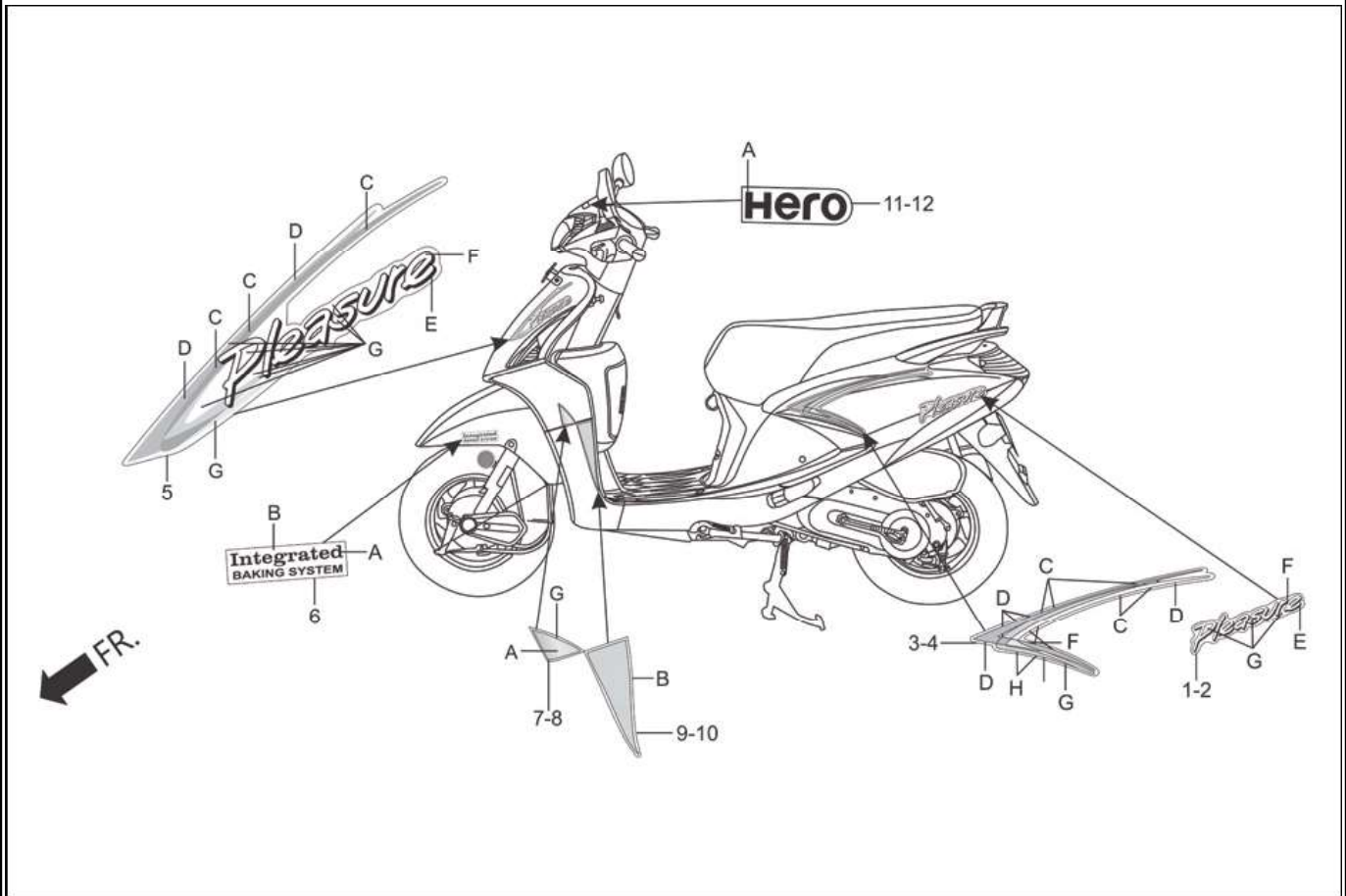
Group Number: F-26 Model :: Pleasure (Mar, 2014)

Ref No.	Part Number	Description	Req.
1	86102-AAL-000R	STRIPE A R BODY COVER(TYPE-1)	1

SPECIFIED COLOUR CHART FOR STRIPE A, R. BODY COVER

SPECIFIED COLOUR TYPE	E	F	G	MAIN BODY COLOUR
1	NH-1 BLACK	PEARL FADELESS WHITE	TRANSPARENT	LIGHT PURPLE ME. (P-50M) VIBRANT ORANGE (YR-250) FROST BLUE ME. (B-185M) LEAF GREEN ME. (GY-141M) CANDY BLAZING RED (R-195C) TYPE-1 FORCE SILVER ME. (NH-411M) PEARL FADELESS WHITE (NH-341P) CANDY BLAZING RED (R-195C) TYPE-2 BLACK (NH-1)

F-26 : MARK / STRIPE



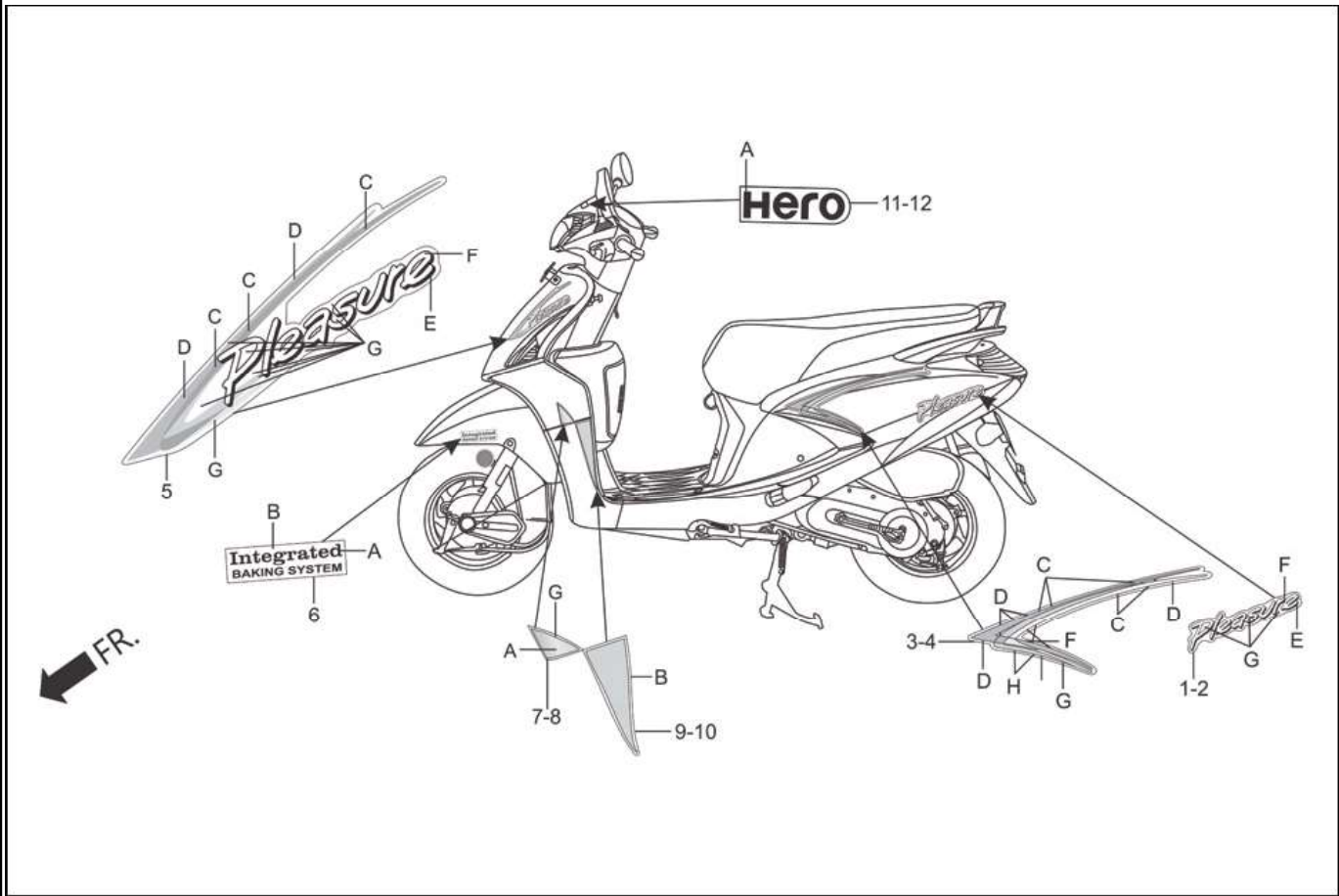
Group Number: F-26 Model :: Pleasure (Mar, 2014)

Ref No.	Part Number	Description	Req.
2	86103-AAL-000R	STRIPE A L BODY COVER(TYPE-1)	1

SPECIFIED COLOUR CHART FOR STRIPE A, L. BODY COVER

SPECIFIED COLOUR TYPE	E	F	G	MAIN BODY COLOUR
1	NH-1 BLACK	PEARL FADELESS WHITE	TRANSPARENT	LIGHT PURPLE ME. (P-50M) VIBRANT ORANGE (YR-250) FROST BLUE ME. (B-165M) LEAF GREEN ME. (GY-141M) CANDY BLAZING RED (R-195C) TYPE-1 FORCE SILVER ME. (NH-411M) PEARL FADELESS WHITE (NH-341P) CANDY BLAZING RED (R-195C) TYPE-2 BLACK (NH-1)

F-26 : MARK / STRIPE



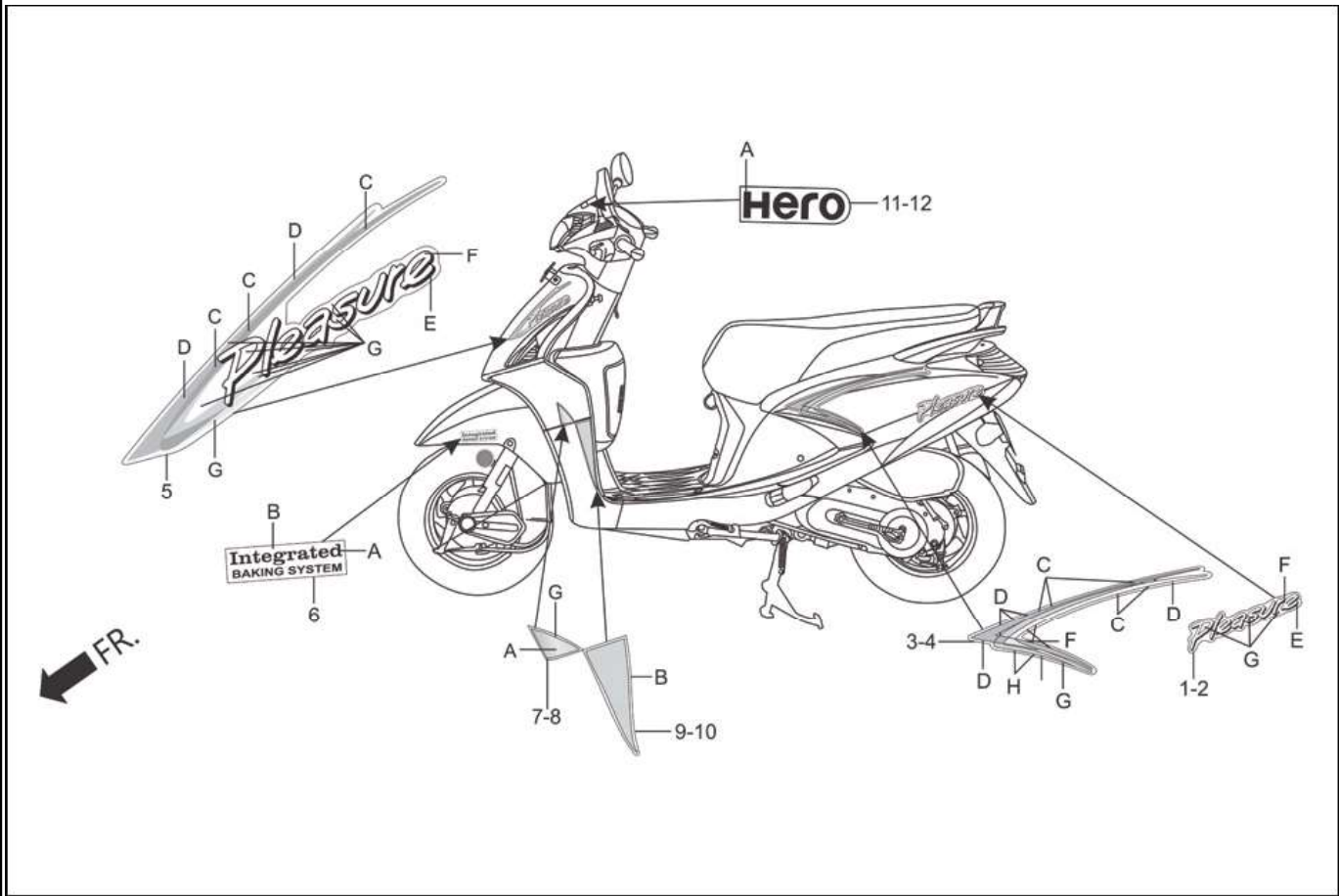
Group Number: F-26 Model :: Pleasure (Mar, 2014)

Ref No.	Part Number	Description	Req.
3	86104-AAL-000R	STRIPE B R BODY COVER(TYPE-1)	1
	86104-AAL-000S	STRIPE B R BODY COVER(TYPE-2)	1
	86104-AAL-000T	STRIPE B R BODY COVER(TYPE-3)	1
	86104-AAL-000U	STRIPE B R BODY COVER(TYPE-4)	1
	86104-AAL-000V	STRIPE B R BODY COVER(TYPE-5)	1
	86104-AAL-000W	STRIPE B R BODY COVER(TYPE-6)	1
	86104-AAL-000X	STRIPE B R BODY COVER(TYPE-7)	1
	86104-AAL-000Z	STRIPE B R BODY COVER(TYPE-9)	1

SPECIFIED COLOUR CHART FOR STRIPE B, R. BODY COVER

SPECIFIED COLOUR TYPE	C	D	E	F	G	H	MAIN BODY COLOUR
1	PINK	PINK	NH-1 BLACK	PEARL FADELESS WHITE	TRANSPARENT	PEARL FADELESS WHITE	LIGHT PURPLE ME. (P-50M)
2	PERSON ORANGE	IMPULSE ORANGE	NH-1 BLACK	PEARL FADELESS WHITE	TRANSPARENT	PEARL FADELESS WHITE	VIBRANT ORANGE (YR-250)
3	PEARLS MEDIUM BLUE	BLUE ME.	NH-1 BLACK	PEARL FADELESS WHITE	TRANSPARENT	PEARL FADELESS WHITE	FROST BLUE ME. (B-105M)
4	LIGHT GREEN	GREY LIGHT GREEN ME.	NH-1 BLACK	PEARL FADELESS WHITE	TRANSPARENT	PEARL FADELESS WHITE	LEAF GREEN ME. (GY-141M)
5	JOLLY PINK ME.	CLASSY MAROON	NH-1 BLACK	PEARL FADELESS WHITE	TRANSPARENT	PEARL FADELESS WHITE	CANDY BLAZING RED (R-195C) TYPE-1
6	PINK	SPARK RED	NH-1 BLACK	PEARL FADELESS WHITE	TRANSPARENT	PEARL FADELESS WHITE	FORCE SILVER ME. (NH-411M)
7	PINK	SPARK RED	NH-1 BLACK	PEARL FADELESS WHITE	TRANSPARENT	PEARL FADELESS WHITE	PEARL FADELESS WHITE (NH-341P)
5	JOLLY PINK ME.	CLASSY MAROON	NH-1 BLACK	PEARL FADELESS WHITE	TRANSPARENT	PEARL FADELESS WHITE	CANDY BLAZING RED (R-195C) TYPE-2
9	PINK	PINK ME.	NH-1 BLACK	PEARL FADELESS WHITE	NH-1 BLACK	PEARL FADELESS WHITE	BLACK (NH-1)

F-26 : MARK / STRIPE



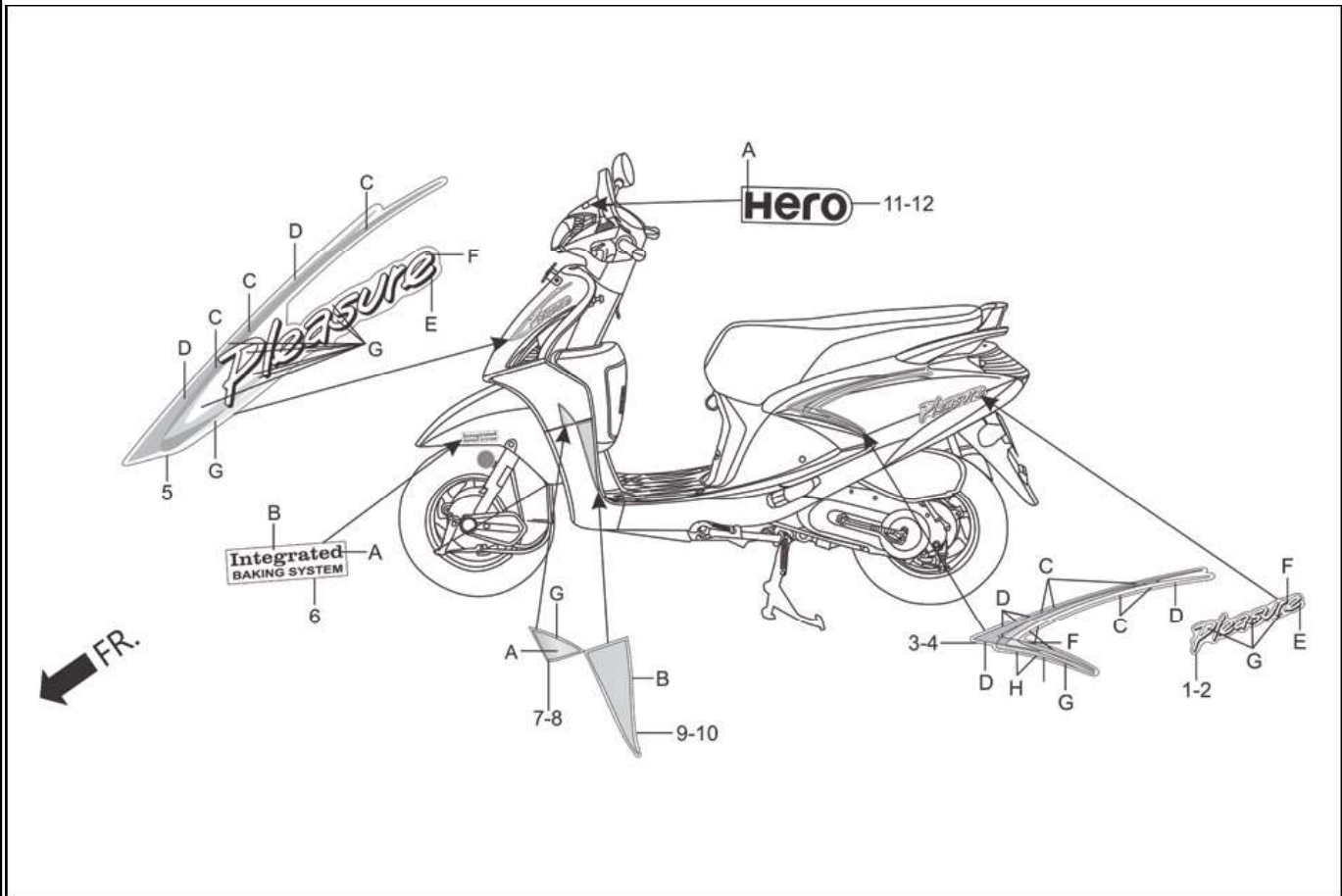
Group Number: F-26 Model :: Pleasure (Mar, 2014)

Ref No.	Part Number	Description	Req.
4	86105-AAL-000R	STRIPE B L BODY COVER(TYPE-1)	1
	86105-AAL-000S	STRIPE B L BODY COVER(TYPE-2)	1
	86105-AAL-000T	STRIPE B L BODY COVER(TYPE-3)	1
	86105-AAL-000U	STRIPE B L BODY COVER(TYPE-4)	1
	86105-AAL-000V	STRIPE B L BODY COVER(TYPE-5)	1
	86105-AAL-000W	STRIPE B L BODY COVER(TYPE-6)	1
	86105-AAL-000X	STRIPE B L BODY COVER(TYPE-7)	1
	86105-AAL-000Z	STRIPE B L BODY COVER(TYPE-9)	1

SPECIFIED COLOUR CHART FOR STRIPE B, L. BODY COVER

SPECIFIED COLOUR TYPE	C	D	E	F	G	H	MAIN BODY COLOUR
1	PINK	PINK	NH-1 BLACK	PEARL FADELESS WHITE	TRANSPARENT	PEARL FADELESS WHITE	LIGHT PURPLE ME. (P-50M)
2	PERSON ORANGE	IMPULSE ORANGE	NH-1 BLACK	PEARL FADELESS WHITE	TRANSPARENT	PEARL FADELESS WHITE	VIBRANT ORANGE (YR-250)
3	PEARLS MEDIUM BLUE	BLUE ME.	NH-1 BLACK	PEARL FADELESS WHITE	TRANSPARENT	PEARL FADELESS WHITE	FROST BLUE ME. (B-185M)
4	LIGHT GREEN	GREY LIGHT GREEN ME.	NH-1 BLACK	PEARL FADELESS WHITE	TRANSPARENT	PEARL FADELESS WHITE	LEAF GREEN ME. (GY-141M)
5	JOLLY PINK ME.	CLASSY MAROON	NH-1 BLACK	PEARL FADELESS WHITE	TRANSPARENT	PEARL FADELESS WHITE	CANDY BLAZING RED (R-195C) TYPE-1
6	PINK	SPARK RED	NH-1 BLACK	PEARL FADELESS WHITE	TRANSPARENT	PEARL FADELESS WHITE	FORCE SILVER ME. (NH-411M)
7	PINK	SPARK RED	NH-1 BLACK	PEARL FADELESS WHITE	TRANSPARENT	PEARL FADELESS WHITE	PEARL FADELESS WHITE (NH-341P)
5	JOLLY PINK ME.	CLASSY MAROON	NH-1 BLACK	PEARL FADELESS WHITE	TRANSPARENT	PEARL FADELESS WHITE	CANDY BLAZING RED (R-195C) TYPE-2
9	PINK	PINK ME.	NH-1 BLACK	PEARL FADELESS WHITE	NH-1 BLACK	PEARL FADELESS WHITE	BLACK (NH-1)

F-26 : MARK / STRIPE



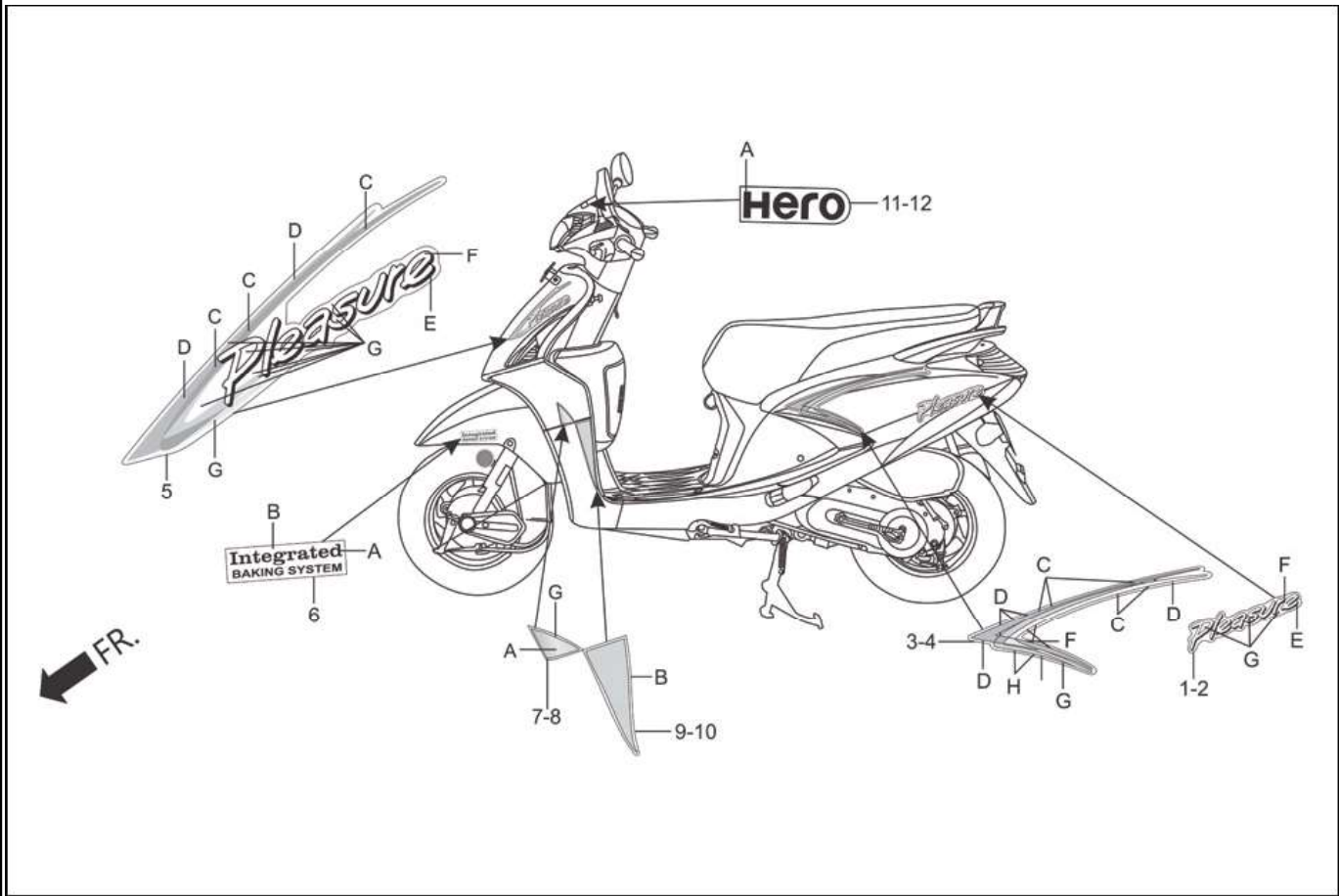
Group Number: F-26 Model :: Pleasure (Mar, 2014)

Ref No.	Part Number	Description	Req.
5	86211-AAL-000R	STRIPE A FR UP.COVER(TYPE-1)	1
	86211-AAL-000S	STRIPE A FR UP.COVER(TYPE-2)	1
	86211-AAL-000T	STRIPE A FR UP.COVER(TYPE-3)	1
	86211-AAL-000U	STRIPE A FR UP.COVER(TYPE-4)	1
	86211-AAL-000V	STRIPE A FR UP.COVER(TYPE-5)	1
	86211-AAL-000W	STRIPE A FR UP.COVER(TYPE-6)	1
	86211-AAL-000Y	STRIPE A FR UP.COVER(TYPE-8)	1
	86211-AAL-000Z	STRIPE A FR UP.COVER(TYPE-9)	1

SPECIFIED COLOUR CHART FOR STRIPE A, FR. UPPER COVER

SPECIFIED COLOUR TYPE	A	C	D	E	F	G	MAIN BODY COLOUR
1	LIGHT PURPLE ME.	PINK	PINK	NH-1 BLACK	PEARL FADELESS WHITE	TRANSPARENT	LIGHT PURPLE ME. (P-50M)
2	VIBRANT ORANGE	PERSON ORANGE	IMPULSE ORANGE	NH-1 BLACK	PEARL FADELESS WHITE	TRANSPARENT	VIBRANT ORANGE (YR-250)
3	FROST BLUE ME.	PEARLS MEDIUM BLUE	BLUE ME.	NH-1 BLACK	PEARL FADELESS WHITE	TRANSPARENT	FROST BLUE ME. (B-185M)
4	LEAF GREEN ME.	LIGHT GREEN	GREY LIGHT GREEN ME.	NH-1 BLACK	PEARL FADELESS WHITE	TRANSPARENT	LEAF GREEN ME. (GY-141M)
5	CANDY BLAZING RED TYPE-1	JOLLY PINK ME.	CLASSY MAROON	NH-1 BLACK	PEARL FADELESS WHITE	TRANSPARENT	CANDY BLAZING RED (R-195C) TYPE-1
6	-----	PINK	SPARK RED	NH-1 BLACK	PEARL FADELESS WHITE	TRANSPARENT	FORCE SILVER ME. (NH-411M)
6	-----	PINK	SPARK RED	NH-1 BLACK	PEARL FADELESS WHITE	TRANSPARENT	PEARL FADELESS WHITE (NH-341P)
8	-----	JOLLY PINK ME.	CLASSY MAROON	NH-1 BLACK	PEARL FADELESS WHITE	TRANSPARENT	CANDY BLAZING RED (R-195C) TYPE-2
9	-----	PINK	PINK ME.	NH-1 BLACK	PEARL FADELESS WHITE	NH-1 BLACK	BLACK (NH-1)

F-26 : MARK / STRIPE

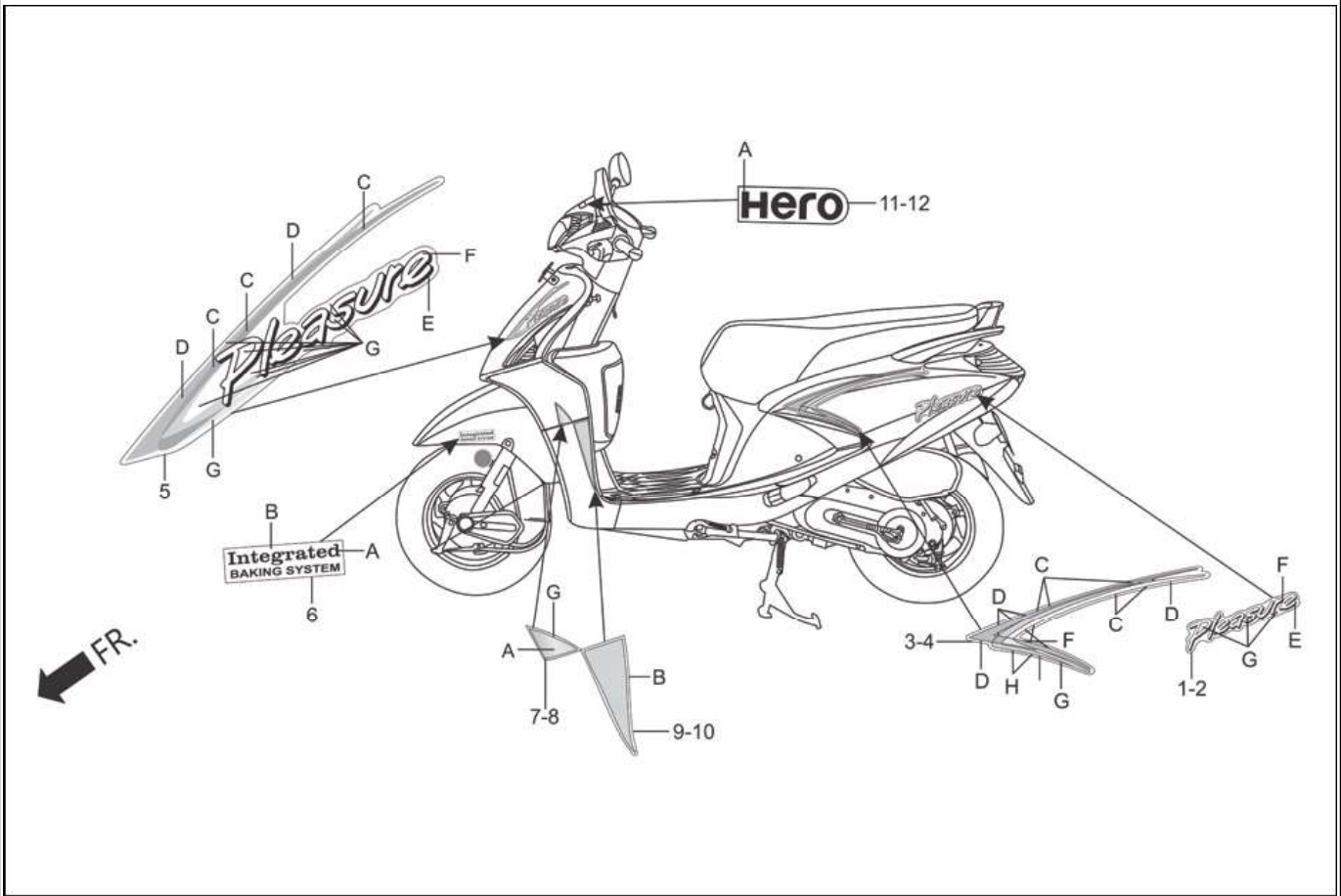


Group Number: F-26 Model :: Pleasure (Mar, 2014)

Ref No.	Part Number	Description	Req.
6	86217-AAL-000R	MARK IBS FR FENDER(TYPE-1)	1
	86217-AAL-000S	MARK IBS FR FENDER(TYPE-1)	1

SPECIFIED COLOUR CHART FOR MARK IBS FR. FENDER			
SPECIFIED COLOUR TYPE	A	B	MAIN BODY COLOUR
1	NH-1 BLACK	TRANSPARENT	LIGHT PURPLE ME. (P-50M) VIBRANT ORANGE (YR-250) FROST BLUE ME. (B-185M) LEAF GREEN ME. (GY-141M) CANDY BLAZING RED (R-195C) TYPE-1 FORCE SILVER ME. (NH-411M) PEARL FADELESS WHITE (NH-341P)
2	PEARL FADELESS WHITE	TRANSPARENT	BLACK (NH-1)

F-26 : MARK / STRIPE



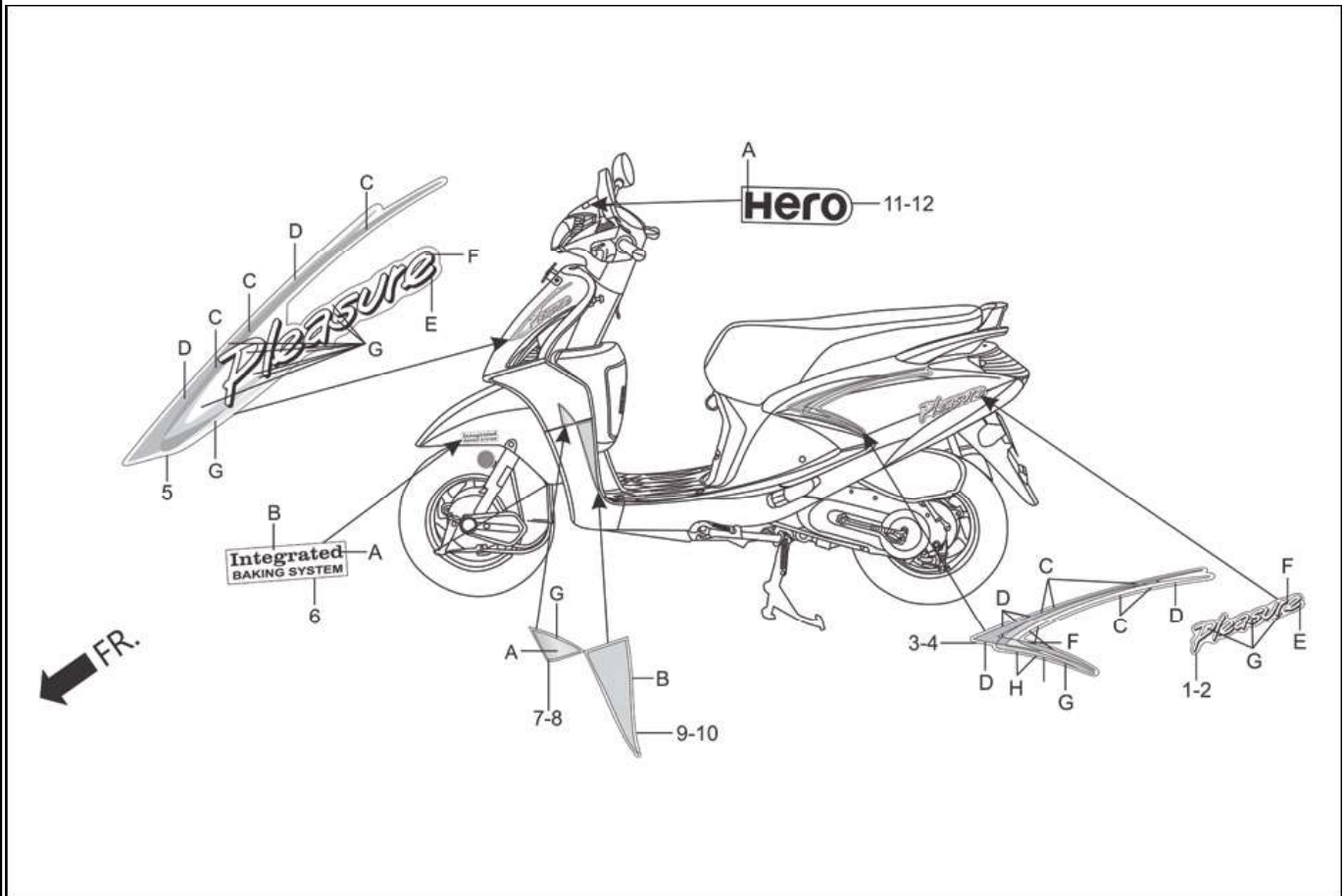
Group Number: F-26 Model :: Pleasure (Mar, 2014)

Ref No.	Part Number	Description	Req.
7	86221-AAL-000R	STRIPE B R FR UP.COVER(TYPE-1)	1
	86221-AAL-000S	STRIPE B R FR UP.COVER(TYPE-2)	1
	86221-AAL-000T	STRIPE B R FR UP.COVER(TYPE-3)	1
	86221-AAL-000U	STRIPE B R FR UP.COVER(TYPE-4)	1
	86221-AAL-000V	STRIPE B R FR UP.COVER(TYPE-5)	1

SPECIFIED COLOUR CHART FOR STRIPE A, FR. UPPER COVER

SPECIFIED COLOUR TYPE	A	C	D	E	F	G	MAIN BODY COLOUR
1	LIGHT PURPLE ME.	PINK	PINK	NH-1 BLACK	PEARL FADELESS WHITE	TRANSPARENT	LIGHT PURPLE ME. (P-50M)
2	VIBRANT ORANGE	PERSON ORANGE	IMPULSE ORANGE	NH-1 BLACK	PEARL FADELESS WHITE	TRANSPARENT	VIBRANT ORANGE (YR-250)
3	FROST BLUE ME.	PEARLS MEDIUM BLUE	BLUE ME.	NH-1 BLACK	PEARL FADELESS WHITE	TRANSPARENT	FROST BLUE ME. (B-185M)
4	LEAF GREEN ME.	LIGHT GREEN	GREY LIGHT GREEN ME.	NH-1 BLACK	PEARL FADELESS WHITE	TRANSPARENT	LEAF GREEN ME. (GY-141M)
5	CANDY BLAZING RED TYPE-1	JOLLY PINK ME.	CLASSY MAROON	NH-1 BLACK	PEARL FADELESS WHITE	TRANSPARENT	CANDY BLAZING RED (R-195C) TYPE-1
6	-----	PINK	SPARK RED	NH-1 BLACK	PEARL FADELESS WHITE	TRANSPARENT	FORCE SILVER ME. (NH-411M)
6	-----	PINK	SPARK RED	NH-1 BLACK	PEARL FADELESS WHITE	TRANSPARENT	PEARL FADELESS WHITE (NH-341P)
8	-----	JOLLY PINK ME.	CLASSY MAROON	NH-1 BLACK	PEARL FADELESS WHITE	TRANSPARENT	CANDY BLAZING RED (R-195C) TYPE-2
9	-----	PINK	PINK ME.	NH-1 BLACK	PEARL FADELESS WHITE	NH-1 BLACK	BLACK (NH-1)

F-26 : MARK / STRIPE



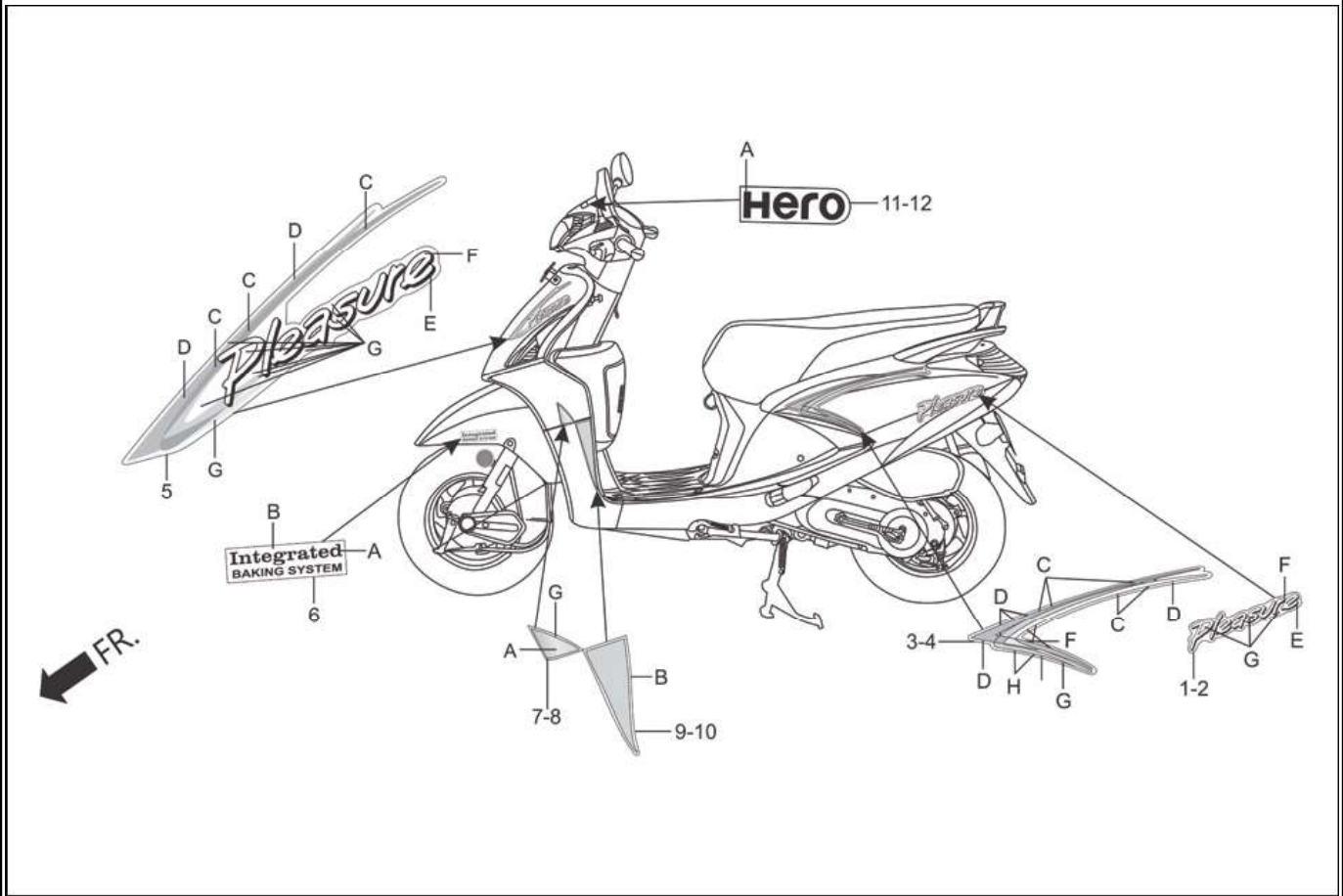
Group Number: F-26 Model :: Pleasure (Mar, 2014)

Ref No.	Part Number	Description	Req.
8	86231-AAL-000R	STRIPE B L FR UP.COVER(TYPE-1)	1
	86231-AAL-000S	STRIPE B L FR UP.COVER(TYPE-2)	1
	86231-AAL-000T	STRIPE B L FR UP.COVER(TYPE-3)	1
	86231-AAL-000U	STRIPE B L FR UP.COVER(TYPE-4)	1
	86231-AAL-000V	STRIPE B L FR UP.COVER(TYPE-5)	1

SPECIFIED COLOUR CHART FOR STRIPE A, FR. UPPER COVER

SPECIFIED COLOUR TYPE	A	C	D	E	F	G	MAIN BODY COLOUR
1	LIGHT PURPLE ME.	PINK	PINK	NH-1 BLACK	PEARL FADELESS WHITE	TRANSPARENT	LIGHT PURPLE ME. (P-50M)
2	VIBRANT ORANGE	PERSON ORANGE	IMPULSE ORANGE	NH-1 BLACK	PEARL FADELESS WHITE	TRANSPARENT	VIBRANT ORANGE (YR-250)
3	FROST BLUE ME.	PEARLS MEDIUM BLUE	BLUE ME.	NH-1 BLACK	PEARL FADELESS WHITE	TRANSPARENT	FROST BLUE ME. (B-185M)
4	LEAF GREEN ME.	LIGHT GREEN	GREY LIGHT GREEN ME.	NH-1 BLACK	PEARL FADELESS WHITE	TRANSPARENT	LEAF GREEN ME. (GY-141M)
5	CANDY BLAZING RED TYPE-1	JOLLY PINK ME.	CLASSY MAROON	NH-1 BLACK	PEARL FADELESS WHITE	TRANSPARENT	CANDY BLAZING RED (R-195C) TYPE-1
6	-----	PINK	SPARK RED	NH-1 BLACK	PEARL FADELESS WHITE	TRANSPARENT	FORCE SILVER ME. (NH-411M)
6	-----	PINK	SPARK RED	NH-1 BLACK	PEARL FADELESS WHITE	TRANSPARENT	PEARL FADELESS WHITE (NH-341P)
8	-----	JOLLY PINK ME.	CLASSY MAROON	NH-1 BLACK	PEARL FADELESS WHITE	TRANSPARENT	CANDY BLAZING RED (R-195C) TYPE-2
9	-----	PINK	PINK ME.	NH-1 BLACK	PEARL FADELESS WHITE	NH-1 BLACK	BLACK (NH-1)

F-26 : MARK / STRIPE



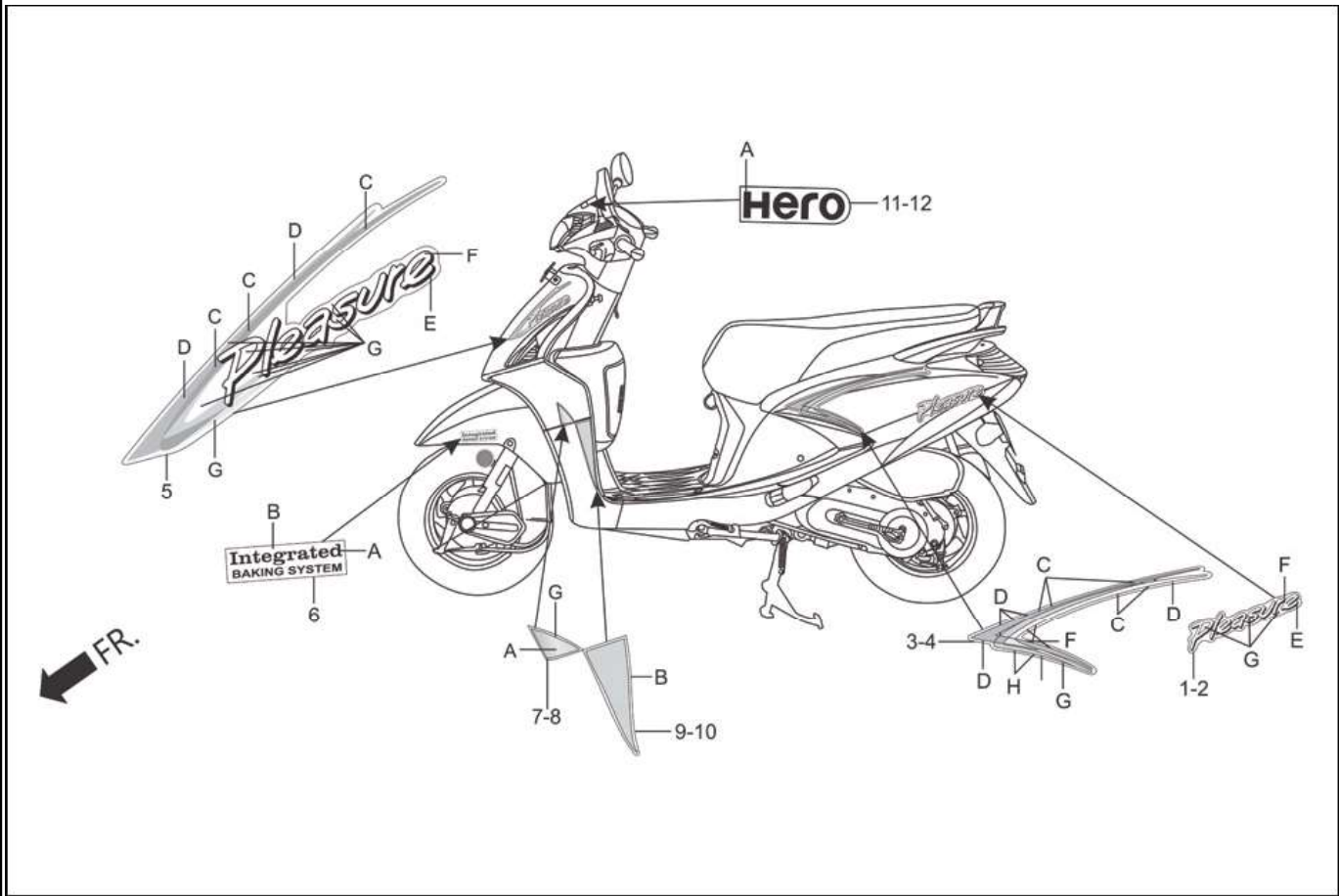
Group Number: F-26 Model :: Pleasure (Mar, 2014)

Ref No.	Part Number	Description	Req.
9	86351-AAL-000R	STRIPE R FR LWR COVER(TYPE-1)	1

SPECIFIED COLOUR CHART FOR STRIPE R, FR. LOWER COVER

SPECIFIED COLOUR TYPE	B	MAIN BODY COLOUR
1	PEARL FADELESS WHITE	LIGHT PURPLE ME. (P-50M) VIBRANT ORANGE (YR-250) FROST BLUE MC. (B-105M) LEAF GREEN ME. (GY-141M) CANDY BLAZING RED (R-195C) TYPE-1
		FORCE SILVER ME. (NH-411M) PEARL FADELESS WHITE (NH-341P) CANDY BLAZING RED (R-195C) TYPE-2 BLACK (NH-1)

F-26 : MARK / STRIPE



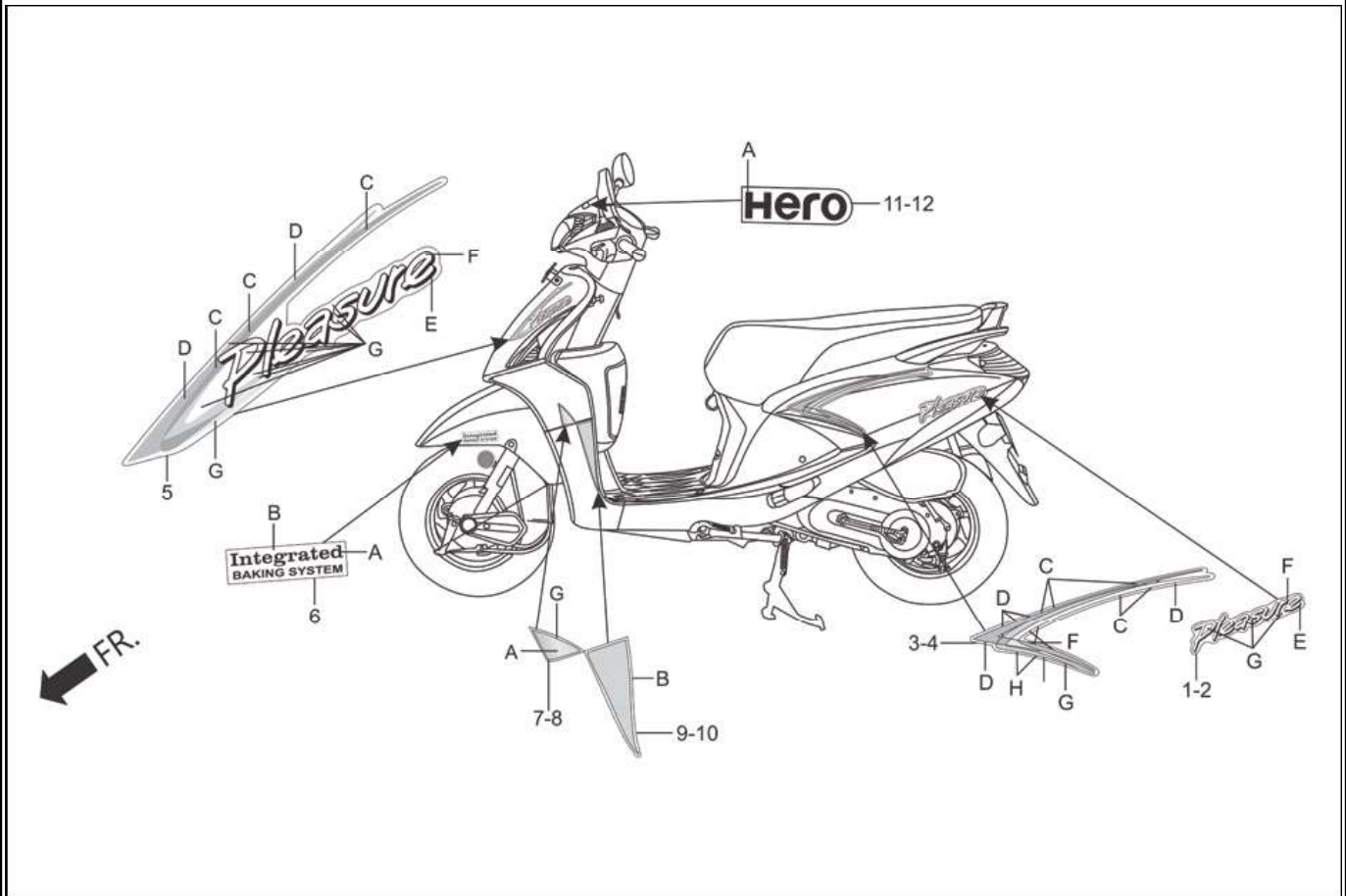
Group Number: F-26 Model :: Pleasure (Mar, 2014)

Ref No.	Part Number	Description	Req.
10	86361-AAL-000R	STRIPE L FR LWR COVER(TYPE-1)	1

SPECIFIED COLOUR CHART FOR STRIPE L, FR. LOWER COVER

SPECIFIED COLOUR TYPE	B	MAIN BODY COLOUR
1	PEARL FADELESS WHITE	LIGHT PURPLE ME. (P-50M)
		VIBRANT ORANGE (YR-250)
		FROST BLUE ME. (B-185M)
		LEAF GREEN ME. (GY-141M)
		CANDY BLAZING RED (R-195C) TYPE-1
		FORCE SILVER ME. (NH-411M)
		PEARL FADELESS WHITE (NH-341P)
		CANDY BLAZING RED (R-195C) TYPE-2
		BLACK (NH-1)

F-26 : MARK / STRIPE



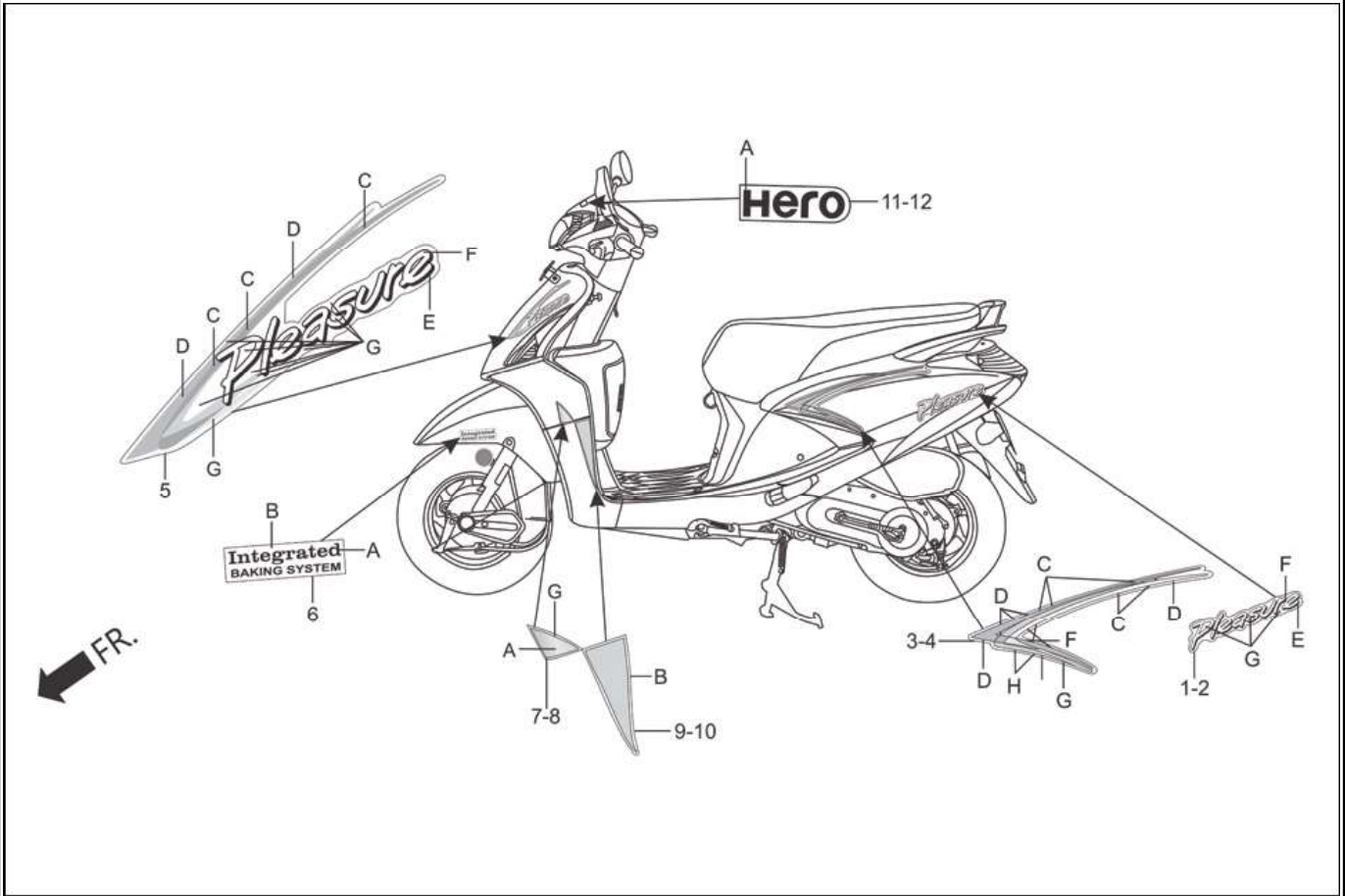
Group Number: F-26 Model :: Pleasure (Mar, 2014)

Ref No.	Part Number	Description	Req.
11	86836-AAD-H70ZA	STRIPE FRONT VISOR (TYPE-1)	1
	86836-AAD-H70ZA	STRIPE FRONT VISOR (TYPE-1)	1

SPECIFIED COLOUR CHART FOR STRIPE, MARK HANDEL COVER

SPECIFIED COLOUR TYPE	A	MAIN BODY COLOUR
1	FORCE SILVER METALLIC (NH-411M)	LIGHT PURPLE ME. (P-50M)
		VIBRANT ORANGE (YR-250)
2	BLACK (NH-1)	FROST BLUE ME. (D-105M)
		LEAF GREEN ME. (GY-141M)
		CANDY BLAZING RED (R-195C) TYPE-1
		FORCE SILVER ME. (NH-411M)
		PEARL FADELESS WHITE (NH-341P)
		CANDY BLAZING RED (R-195C) TYPE-2
		BLACK (NH-1)

F-26 : MARK / STRIPE



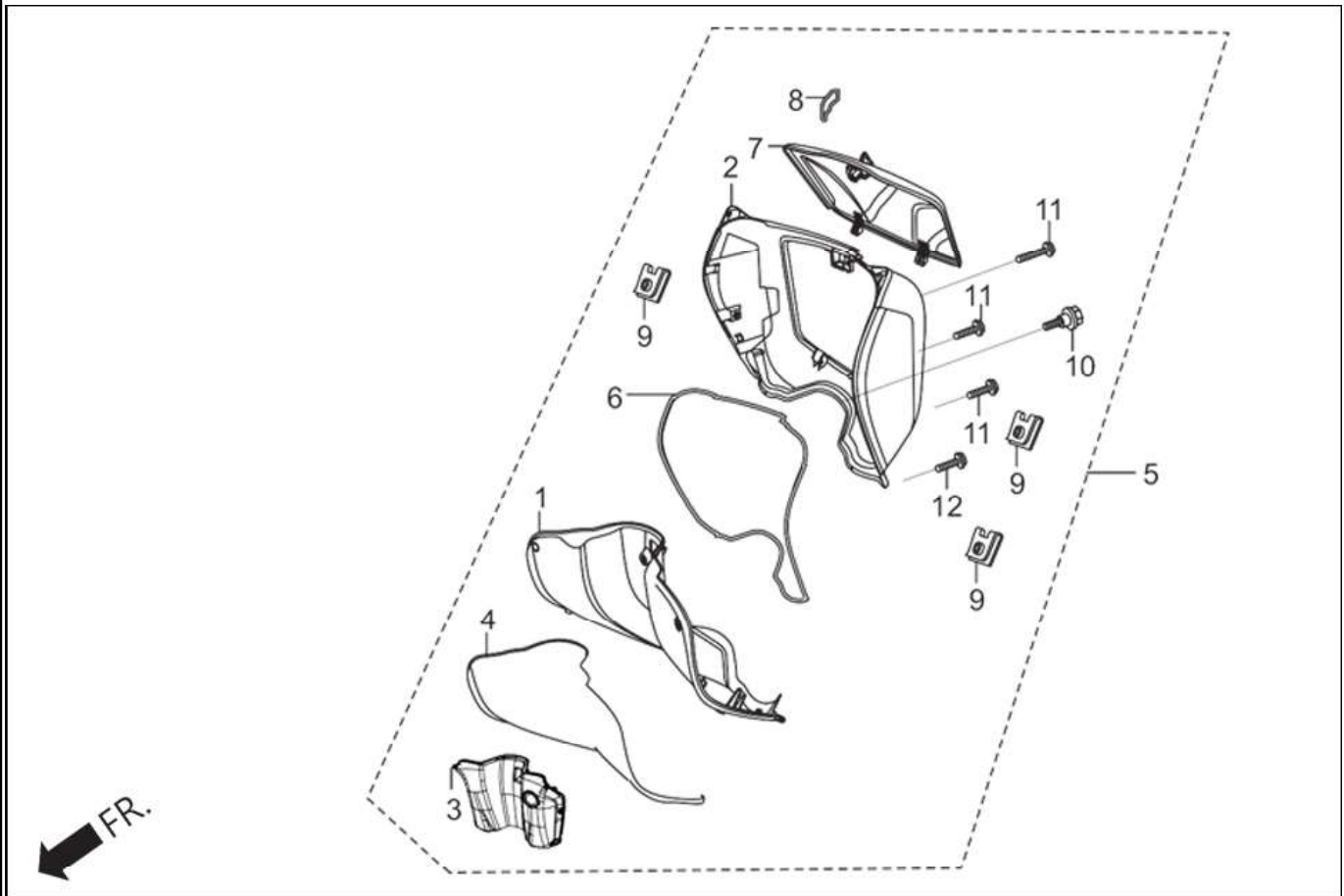
Group Number: F-26 Model :: Pleasure (Mar, 2014)

Ref No.	Part Number	Description	Req.
12	87101-AAL-H30ZA	MARK HANDLE FR. COVER (TYPE-1)	1

SPECIFIED COLOUR CHART FOR STRIPE, MARK HANDEL COVER

SPECIFIED COLOUR TYPE	A	MAIN BODY COLOUR
	LIGHT PURPLE ME. (P-50M)
	VIBRANT ORANGE (YR-250)
	FROST BLUE ME. (B-185M)
	LEAF GREEN ME. (GY-141M)
	CANDY BLAZING RED (R-195C) TYPE-1
	FORCE SILVER ME. (NH-411M)
	PEARL FADELESS WHITE (NH-341P)
2	WHITE	CANDY BLAZING RED (R-195C) TYPE-2
	BLACK (NH-1)

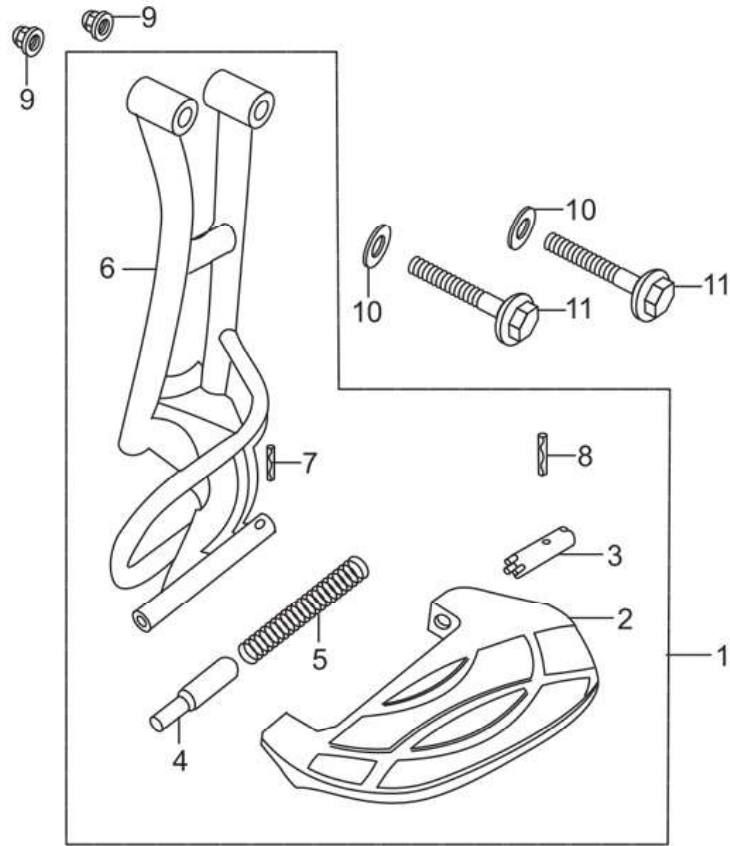
F-27 : FR. INNER BOX



Group Number: F-27 Model :: Pleasure (Mar, 2014)

Ref No.	Part Number	Description	Req.
1	81131-AAL-000	COVER INNER	1
2	81134-AAL-000	OUTER INNER BOX	1
3	81135-AAL-000	INNER INNER BOX	1
4	81137-AAL-000	SEAL INNER BOX	1
5	81130-AAL-000	BOX ASSY INNER	1
6	81138-AAL-000	SEAL OUTER INNER	1
7	81141-AAL-000	LID INNER BOX	1
8	81143-AAW-300	PIN LID INNER BOX	1
9	90344-KRP-900	NUT CLIP 5MM	3
10	92101-06030-0H	BOLT HEX 6X30	1
11	93903-25280	SCREW, TAPPING 5X12	3
12	93903-25380	SCREW TAPPING 5X16	1

F-28 : SARI STEP SET



Group Number: F-28 **Model ::** Pleasure (Mar, 2014)

Ref No.	Part Number	Description	Req.
1	83520-KTP-900	STEP ASSY. SARI	1
2	83521-KTP-900	STEP PLATE, SARI	1
3	83522-KRB-900	STEP, PIN A, SARI	1
4	83523-KRB-900	STEP, PIN B, SARI	1
5	83524-KTP-900	SPRING, STEP	1
6	83530-KTP-900	STEP COMP., SARI	1
7	94305-30142	PIN, SPRING 3X14	1
8	94305-30202	PIN, SPRING 3X20	1
9	94021-08000-0S	NUT, HEX CAP 8 MM	2
10	94101-08800	WASHER PLAIN, 8 MM	2
11	95801-08045-00	BOLT FLANGE 8X45	2

PARTS INDEX

PART NO	BLOCK	PART NO	BLOCK
3310B-AAL-001	F-1	15131-KPL-900	E-16
3340B-AAL-001	F-19	15133-GFC-901	E-9
3345B-AAL-001	F-19	15331-436-000	E-9
3370B-AAL-001	F-20	15332-436-000	E-9
11100-KTP-900	E-7	15421-107-000	E-15
11102-GT8-B00	E-7	15426-KCW-880	E-15
11102-GT8-B00	E-15	15651-KTP-900	E-7
11200-KTP-900	E-15	16010-KVT-901	E-17
11203-GC7-300	E-15	16012-KTP-951	E-17
11211-KTP-900	E-2	16013-KRB-901	E-17
11220-GCC-000	E-14	16015-KTP-951	E-17
11230-KPL-900	E-11	16016-KPW-H01	E-17
11341-KTP-900	E-11	16022-KTP-901	E-17
11342-AAL-H00	E-11	16028-KPL-901	E-17
11344-GW3-980	E-11	16041-KPL-901	E-17
11345-GCC-000	F-23	16075-KPL-901	E-17
11346-KCW-870	F-23	16076-KPL-901	E-17
11361-KPL-900	E-7	16100-AAL-H00	E-17
11395-AAL-00099	E-11	16119-KPL-901	E-17
12101-KTP-900	E-6	16148-KPL-901	E-17
12191-AAL-00099	E-6	16155-KPL-901	E-17
12200-KPL-901	E-3	16163-GFP-901	E-17
12204-KPL-P00	E-3	16165-KRP-761	E-17
12206-KPL-900	E-3	16201-AAL-00099	E-3
12209-GB4-685	E-4	16211-KPL-900	E-3
12211-KTP-901	E-3	16212-KTP-900	E-3
12251-KPL-840	E-3	16229-AAL-00099	E-3
12310-KPL-840	E-2	16950-KRP-980	F-13
12315-KTP-900	E-2	16952-KRP-980	F-13
12361-035-000	E-15	17110-KPL-840	E-3
12391-KTP-900A	E-2	17113-KPL-900	E-3
13000-KTP-900	E-16	17210-AAW-300	F-15
13011-KCC-942	E-16	17212-KTP-900	F-15
13012-KCC-942	E-16	17213-KTP-900	F-15
13013-KCC-942	E-16	17214-KWA-840	F-15
13014-KCC-942	E-16	17215-KRP-980	F-15
13015-KCC-942	E-16	17216-KTP-900	F-15
13101-KPL-901	E-16	17225-KTP-900H	F-15
13102-KPL-901	E-16	17234-KCC-940	F-15
13103-KPL-901	E-16	17235-KTP-900	F-15
13104-KPL-901	E-16	17245-KTP-900	F-15
13105-KPL-901	E-16	17253-KTP-900	F-15
13111-087-000	E-16	17316-611-000	F-15-A
13115-001-000	E-16	17500-AAL-H00	F-13
14100-KTP-900	E-4	17505-KTP-900	F-13
14150-GCC-000	E-4	17515-KTP-900	F-13
14311-KPL-900	E-16	17525-KTP-900	F-13
14321-KPL-900	E-4	17620-KRP-980	F-13
14401-KPL-900	E-5	17622-GB7-900	F-15-A
14431-GCC-000	E-4	17632-383-831	F-13
14451-GCC-000	E-4	17683-KPL-900	F-13
14461-GCC-000	E-4	17684-KPL-840	F-13
14510-KPL-900	E-5	17920-KTP-305	F-3
14520-KPL-840	E-5	17950-KPL-900	F-3
14531-GCC-000	E-5	18292-KTP-900	F-16
14560-KCW-880	E-5	18292-GY1-610	F-16
14611-KTP-900	E-5	18293-KTP-900	F-16
14711-GCC-000	E-4	18300-AAL-H00	F-16
14721-GCC-000	E-4	18318-AAL-000	F-16
14751-KTP-900	E-4	18319-KRP-900	F-16
14771-GB4-680	E-4	18640-KPL-900	E-3
14777-KN7-670	E-4	18645-MT4-730	E-3
14781-MA6-000	E-4	18805-KPL-900	F-14
15100-KTP-900	E-9	18807-KPL-900	F-14

PART NO	BLOCK	PART NO	BLOCK
18812-KPL-900	F-14	32108-GW6-700	F-22
19510-KTP-900	E-8	32603-KPL-780	F-22
19610-KPL-840	E-1	32907-KPL-900	E-8
19621-KTP-900H	E-1	32976-107-010	E-8
19623-KPL-900	E-1	33108-AAB-000	F-1
19625-KPL-840	E-1	33120-AAL-001	F-1
19631-KTP-900	E-1	33126-AAL-001	F-1
19639-GBC-000	E-1	33128-GFC-890	F-1
21200-KTP-900	E-14	33130-AAL-001	F-1
21395-GFC-901	E-14	33200-AAL-001	F-12
22100-KPL-900	E-13	33301-AAB-401	F-1
22102-AAL-400	E-12	33405-AAL-001	F-19
22105-KPL-900	E-12	33410-AAL-001	F-19
22109-KTP-900	E-12	33455-AAL-001	F-19
22110-KPL-900	E-12	33460-AAL-001	F-19
22121-KTP-900	E-12	33710-AAL-001	F-20
22131-KPL-900	E-12	33715-GB0-900	E-1
22132-KPL-900	E-12	33715-AAL-001	F-20
22350-KPL-900	E-13	33715-965-000	F-21
22401-KTP-901	E-13	33741-KRY-861	F-9
22535-KPL-901	E-13	33741-KRY-861	F-14
22804-148-000	E-13	34901-KSP-910	F-1
23100-AAL-000	E-13	34906-447-710	F-20
23205-KRP-982	E-13	34908-KVE-900	F-2
23224-KRP-980	E-13	34909-KVE-900	F-2
23225-KPL-900	E-13	34930-AAC-700	F-19
23226-KPL-900	E-13	34930-AAC-700	F-20
23233-KPL-900	E-13	35010-AAL-000	F-22
23237-KPL-900	E-13	35100-AAL-001	F-22
23238-KPL-900	E-13	35121-AAL-H00	F-22
23411-KPL-900	E-14	35122-AAL-H00	F-22
23421-GCC-000	E-14	35130-AAL-001	F-22
23422-GCC-000	E-14	35140-AAL-001	F-17
23430-KPL-901	E-14	35150-AAL-001	F-3
28120-KPL-901	E-10	35150-AAL-001	F-22
28150-KPL-900	E-10	35160-KTP-890	F-3
28223-GCC-000	E-12	35170-KTP-890	F-3
28230-KVT-900	E-12	35180-KTP-890	F-3
28250-KVT-900	E-12	35200-KTP-890	F-3
28253-KVT-900	E-12	35340-KTP-890	F-3
28255-KPL-900	E-12	37200-AAL-001	F-2
28281-GCC-000	E-12	37210-AAL-001	F-2
28300-KVT-900	F-17	37211-AAL-001	F-2
30100-AAL-001	F-22	37215-AAL-001	F-20
30158-GW3-980	F-3	37216-KCJ-710	F-2
30401-AAL-00099	F-22	37220-AAL-001	F-2
30410-AAL-00099	F-22	37224-AAL-001	F-2
30510-AAL-00099	F-22	37305-GW3-780	F-2
30604-KTP-890	F-22	37800-AAL-001	F-13
30605-KTP-951	F-22	37801-GA7-700	F-13
30700-KTP-951	F-22	37802-GA7-700	F-13
31110-KTP-890	E-8	37805-KG8-000	F-13
31120-KTP-890	E-8	38110-KTP-890	F-22
31204-KTP-890	E-10	38301-KWH-961	F-22
31206-KTP-890	E-10	38306-GE7-000	F-22
31210-KTP-890	E-10	38501-KTP-890	F-22
31211-KTP-890	E-10	38506-KPL-900	F-22
31212-KTP-890	E-10	42601-AAL-010	F-11-VX
31214-KTP-890	E-10	42610-KPL-900	F-11A-LX
31500-KRP-801	F-21	42702-KPL-900	F-10A-LX
31600-KTP-891	F-22	42702-KPL-900	F-11A-LX
31917-AAC-H00	E-3	42711-AAL-00099	F-10-VX
32100-AAL-001	F-22	42711-AAL-00099	F-10A-LX
32105-KTP-891	E-10	42711-AAL-00099	F-11-VX

PART NO	BLOCK	PART NO	BLOCK
42711-AAL-00099	F-11A-LX	50352-GW0-730	F-23
42753-AAL-001	F-10A-LX	50355-KPL-900	F-23
42753-AAL-001	F-11-VX	50500-KTP-900	F-17
42753-AAL-001	F-11A-LX	50501-KTP-900	E-11
43141-AAL-100	F-11-VX	50503-GCC-000	F-17
43141-AAL-100	F-11A-LX	50530-KTP-900	F-17
43410-AAL-100	F-11-VX	50536-KPL-900	F-17
43410-AAL-100	F-11A-LX	50621-KTP-900	F-7
43450-KTP-900	F-3	50710-KTP-900	F-7
43455-AAL-100	F-10-VX	50711-KTP-900	F-7
43472-KPL-900	F-11-VX	50712-KTP-900	F-7
43472-KPL-900	F-11A-LX	50715-KE8-000	F-7
44301-KPL-900	F-10-VX	50715-KTP-900	F-7
44301-KPL-900	F-10A-LX	50731-KV3-770	F-15
44311-KPL-900	F-10-VX	51103-KTP-900	F-9
44311-KPL-900	F-10A-LX	51103-KTP-900	F-9A
44601-AAL-010	F-10-VX	51104-KTP-900	F-9
44610-KTP-900	F-10A-LX	51104-KTP-900	F-9A
44620-KTP-900	F-10-VX	51105-AAL-000	F-9
44620-KTP-900	F-10A-LX	51105-AAL-100	F-9A
44805-KTP-900	F-10-VX	51314-KPL-900	F-9
44805-KTP-900	F-10A-LX	51314-KPL-900	F-9A
44809-170-000	F-10-VX	51315-KPL-900	F-9
44809-170-000	F-10A-LX	51315-KPL-900	F-9A
44810-KTC-900	F-10-VX	51316-KPL-900	F-9
44810-KTC-900	F-10A-LX	51316-KPL-900	F-9A
44811-KPL-900	F-10-VX	51334-KPL-900	F-9
44811-KPL-900	F-10A-LX	51334-KPL-900	F-9A
44830-KTP-900	F-2	51400-KRP-982	F-9
44831-KTP-900	F-2	51400-KRP-982	F-9A
45010-AAL-010	F-10-VX	51401-KRP-981	F-9
45010-AAL-010	F-10A-LX	51401-KRP-981	F-9A
45125-AAH-F0099	F-10-VX	51410-KRP-981	F-9
45125-AAH-F0099	F-10A-LX	51410-KRP-981	F-9A
45125-AAH-F0099	F-11-VX	51413-GC8-003	F-9
45125-AAH-F0099	F-11A-LX	51413-GC8-003	F-9A
45133-KCC-900	F-10-VX	51414-GC8-003	F-9
45133-KCC-900	F-10A-LX	51414-GC8-003	F-9A
45133-KCC-900	F-11-VX	51415-KPL-900	F-9
45133-KCC-900	F-11A-LX	51415-KPL-900	F-9A
45134-250-000	F-10-VX	51421-KRP-981	F-9
45134-250-000	F-10A-LX	51421-KRP-981	F-9A
45141-AAL-100	F-10-VX	51458-GC8-003	F-9
45141-AAL-100	F-10A-LX	51458-GC8-003	F-9A
45145-KPL-900	F-10-VX	51486-GC8-003	F-9
45145-KPL-900	F-10A-LX	51486-KRP-981	F-9
45410-AAL-100	F-10-VX	51486-GC8-003	F-9A
45410-AAL-100	F-10A-LX	51486-KRP-981	F-9A
45435-GB2-720	F-10-VX	51500-KRP-982	F-9
45435-GB2-720	F-10A-LX	51500-KRP-982	F-9A
45440-AAL-100	F-3	51510-KRP-981	F-9
45450-AAL-100	F-3	51510-KRP-981	F-9A
45456-AAL-100	F-10-VX	51516-GC8-003	F-9
45459-AAL-100	F-10-VX	51516-GC8-003	F-9A
50100-AAL-000	F-23	52400-KTP-901	F-18
50301-KEM-900	F-9	52475-KRP-981	F-9
50301-KEM-900	F-9A	52475-KRP-981	F-9A
50302-KPL-900	F-9	52485-088-901	F-18
50302-KPL-900	F-9A	52486-GA7-003	F-18
50306-KPL-900	F-9	52489-331-003	F-9
50306-KPL-900	F-9A	52489-331-003	F-9A
50330-KTP-950	F-21	53100-AAL-400	F-4
50338-KTP-950	F-21	53140-KTP-900	F-3
50345-KTP-950	F-21	53166-KTP-900	F-3

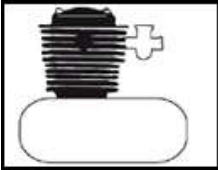



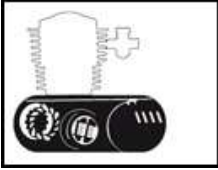








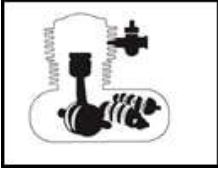






PART NO	BLOCK	PART NO	BLOCK
53167-KPL-900	F-3	64330-AAL-000T	F-7
53168-KTP-900	F-3	64330-AAL-000U	F-7
53172-AAL-100	F-3	64330-AAL-000V	F-7
53173-KPL-900	F-3	64330-AAL-000W	F-7
53175-KTP-900	F-3	64330-AAL-000X	F-7
53178-AAL-100	F-3	64330-AAL-000Z	F-7
53181-AAL-100	F-3	64350-AAL-000R	F-6
53182-AAL-100	F-3	64350-AAL-000S	F-6
53183-GW3-980	F-3	64350-AAL-000T	F-6
53206-AAL-000	F-4	64350-AAL-000U	F-6
53207-AAL-000X	F-4	64350-AAL-000V	F-6
53207-AAL-000W	F-4	75582-KCW-870	F-8
53207-AAL-000Y	F-4	77115-KTP-900	F-12
53207-AAL-000Z	F-4	77200-AAL-H00	F-12
53209-GAH-000	F-1	77206-KG8-900	F-12
53210-KTP-900	F-9	77210-KTP-900	F-12
53210-KTP-900	F-9A	77232-AAL-000	F-22
53211-KEM-900	F-9	77235-AAL-000	F-12
53211-KEM-900	F-9A	77236-GBL-000	F-12
53212-250-010	F-9	77239-AAL-H00	F-22
53212-250-010	F-9A	77240-AAL-000	F-12
53214-250-000	F-9	77241-KRP-900	F-8
53214-250-000	F-9A	77251-KPL-900	F-12
53215-KPL-900	F-9	77300-AAL-000	F-23
53215-KTP-900	F-9	80102-KTP-900	F-23
53215-KPL-900	F-9A	80104-KTP-900	F-14
53215-KTP-900	F-9A	80105-KTP-900	F-14
61104-428-000	F-6	80106-AAL-000	F-14
61105-AAL-000R	F-5	80107-KPL-840	F-14
61105-AAL-000S	F-5	80151-KTP-900	F-8
61105-AAL-000T	F-5	81130-AAL-000	F-27
61105-AAL-000U	F-5	81131-AAL-000	F-6
61105-AAL-000V	F-5	81131-AAL-000	F-27
61105-AAL-000W	F-5	81132-KTP-900	F-6
61105-AAL-000X	F-5	81134-AAL-000	F-27
61105-AAL-000Z	F-5	81135-AAL-000	F-27
61110-KTP-900	F-5	81137-AAL-000	F-27
61335-AAL-000	F-8	81138-AAL-000	F-27
61345-AAL-000	F-8	81141-AAL-000	F-27
64200-AAL-000R	F-6	81143-AAW-300	F-27
64200-AAL-000S	F-6	81250-AAL-000	F-12
64200-AAL-000T	F-6	81251-KTP-900	F-23
64200-AAL-000U	F-6	81252-KTP-900	F-12
64200-AAL-000V	F-6	81255-KTP-900	F-12
64200-AAL-000W	F-6	82871-KTP-900	E-1
64200-AAL-000X	F-6	83450-AAL-000R	F-8
64200-AAL-000Y	F-6	83450-AAL-000S	F-8
64200-AAL-000Z	F-6	83450-AAL-000T	F-8
64303-KTP-900	F-6	83450-AAL-000U	F-8
64305-AAL-000W	F-6	83450-AAL-000V	F-8
64305-AAL-000X	F-6	83450-AAL-000W	F-8
64305-AAL-000Z	F-6	83450-AAL-000X	F-8
64310-198-D20A	F-6A	83450-AAL-000Y	F-8
64310-AAL-000	F-7	83450-AAL-000Z	F-8
64320-AAL-000R	F-7	83508-KPL-900	F-8
64320-AAL-000S	F-7	83520-KTP-900	F-28
64320-AAL-000T	F-7	83521-KTP-900	F-28
64320-AAL-000U	F-7	83522-KRB-900	F-28
64320-AAL-000V	F-7	83523-KRB-900	F-28
64320-AAL-000W	F-7	83524-KTP-900	F-28
64320-AAL-000X	F-7	83530-KTP-900	F-28
64320-AAL-000Z	F-7	83550-AAL-000R	F-8
64330-AAL-000R	F-7	83550-AAL-000S	F-8
64330-AAL-000S	F-7	83550-AAL-000T	F-8

PART NO	BLOCK	PART NO	BLOCK
83550-AAL-000U	F-8	86361-AAL-000R	F-26
83550-AAL-000V	F-8	86836-AAD-H70ZA	F-26
83550-AAL-000W	F-8	86836-AAD-H70ZA	F-26
83550-AAL-000X	F-8	87101-AAL-H30ZA	F-26
83550-AAL-000Y	F-8	87505-AAL-100	F-25
83550-AAL-000Z	F-8	87541-KTP-305	E-1
83551-GE2-000	F-7	87541-KTP-305	F-25
83701-AAL-000R	F-8	87560-MZ0-670	F-25
83701-AAL-000S	F-8	88110-AAL-000X	F-3
83701-AAL-000T	F-8	88110-AAL-000W	F-3
83701-AAL-000U	F-8	88110-AAL-000V	F-3
83701-AAL-000V	F-8	88110-AAL-000Z	F-3
83701-AAL-000W	F-8	88113-KRP-901	F-3
83701-AAL-000X	F-8	88120-AAL-000X	F-3
83701-AAL-000Z	F-8	88120-AAL-000W	F-3
83702-AAL-000R	F-8	88120-AAL-000V	F-3
83702-AAL-000S	F-8	88120-AAL-000Z	F-3
83702-AAL-000T	F-8	89102-538-000	F-24
83702-AAL-000U	F-8	89103-538-000	F-24
83702-AAL-000V	F-8	89216-AAD-H00	F-24
83702-AAL-000W	F-8	89216-KTP-900	F-24
83702-AAL-000X	F-8	89218-AAL-H00	F-24
83702-AAL-000Z	F-8	90001-KPL-900	E-9
84701-P26-D00A	F-6A	90005-KY7-000	E-5
84703-425-000	F-6	90008-KPL-900	E-15
86102-AAL-000R	F-26	90012-333-000R	E-4
86103-AAL-000R	F-26	90017-KPL-900	E-2
86104-AAL-000R	F-26	90031-KPL-900	E-7
86104-AAL-000S	F-26	90032-KPL-900	E-15
86104-AAL-000T	F-26	90035-GW3-980	F-2
86104-AAL-000U	F-26	90083-KRM-840	E-4
86104-AAL-000V	F-26	90083-KRM-840	E-8
86104-AAL-000W	F-26	90101-GJ6-000	F-1
86104-AAL-000X	F-26	90101-087-720	F-9
86104-AAL-000Z	F-26	90101-087-720	F-9A
86105-AAL-000R	F-26	90105-KJ9-000	F-23
86105-AAL-000S	F-26	90106-GCC-000	F-23
86105-AAL-000T	F-26	90107-AAB-000	F-17
86105-AAL-000U	F-26	90109-SB6-000	F-8
86105-AAL-000V	F-26	90110-KPL-900	F-10-VX
86105-AAL-000W	F-26	90110-KPL-900	F-10A-LX
86105-AAL-000X	F-26	90110-KPL-900	F-11-VX
86105-AAL-000Z	F-26	90110-KPL-900	F-11A-LX
86211-AAL-000R	F-26	90111-KPL-900	F-5
86211-AAL-000S	F-26	90111-KPL-900	F-6
86211-AAL-000T	F-26	90111-KPL-900	F-7
86211-AAL-000U	F-26	90111-KPL-900	F-14
86211-AAL-000V	F-26	90112-KTP-900	F-11-VX
86211-AAL-000W	F-26	90112-KTP-900	F-11A-LX
86211-AAL-000Y	F-26	90112-KRP-900	F-12
86211-AAL-000Z	F-26	90113-KTP-900	F-5
86217-AAL-000R	F-26	90115-KPL-900	F-3
86217-AAL-000S	F-26	90116-KTP-900	F-4
86221-AAL-000R	F-26	90116-KTP-900	F-6
86221-AAL-000S	F-26	90116-KTP-900	F-7
86221-AAL-000T	F-26	90116-KTP-900	F-8
86221-AAL-000U	F-26	90116-KTP-900	F-12
86221-AAL-000V	F-26	90117-KTP-900	F-7
86231-AAL-000R	F-26	90121-KTP-900	F-9
86231-AAL-000S	F-26	90121-KTP-900	F-9A
86231-AAL-000T	F-26	90122-KVT-941	F-21
86231-AAL-000U	F-26	90134-GM8-000	F-3
86231-AAL-000V	F-26	90135-KGF-900	F-3
86351-AAL-000R	F-26	90164-KPL-900	F-22










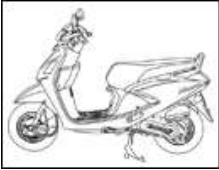





























PART NO	BLOCK	PART NO	BLOCK
90201-GCC-000	E-3	90912-KPL-900	F-10A-LX
90202-KPL-900	E-13	91001-GCC-000	E-16
90206-001-000	E-4	91002-GCC-000	E-16
90301-KTP-900	F-14	91004-AAL-00099	E-15
90302-KTE-911	F-9	91006-GAZ-980	E-13
90304-KPL-900	F-3	91009-GW3-980	E-14
90304-KCS-920	F-4	91101-AAC-H40	E-16
90304-KCS-920	F-17	91102-AAC-H40	E-16
90304-KCS-920	F-23	91103-GAZ-980	E-13
90305-KPL-900	F-11-VX	91103-AAC-H40	E-16
90305-KPL-900	F-11A-LX	91201-KPL-901	E-7
90306-KF0-000	F-10-VX	91202-KTP-900	E-15
90306-KF0-000	F-10A-LX	91203-KPL-901	E-14
90306-KVT-941	F-21	91204-KPL-901	E-15
90307-GJ6-000	F-1	91211-GK8-013	E-13
90308-KPL-840	F-16	91255-KPL-901	E-14
90309-KF0-000	F-9	91301-HM5-630	E-5
90309-KF0-000	F-9A	91302-001-020	E-15
90309-KF0-000	F-10-VX	91304-GB0-910	E-3
90309-KF0-000	F-10A-LX	91304-GB1-900	E-3
90309-KF0-000	F-11-VX	91306-105-690	E-5
90309-KF0-000	F-11A-LX	91307-035-000	E-7
90312-KTP-900	F-16	91307-639-000	E-7
90344-KRP-900	F-27	91309-KTP-890	E-10
90401-GCC-000	E-3	91351-642-000	E-13
90410-GCC-000	E-8	91351-GR1-000	E-13
90412-329-000	E-12	91351-KPL-900	F-9
90426-KBN-900	E-12	91351-KPL-900	F-9A
90442-KPL-900	E-13	91352-GAZ-930	F-2
90443-KPL-900	F-9	91405-KPL-900	F-23
90443-KPL-900	F-9A	91462-KM7-910	F-15-A
90451-KVT-900	E-12	92000-06016-0A	F-6A
90474-333-000	E-15	92101-06030-0H	F-27
90501-KPL-900	F-11-VX	92201-08032-0A	F-18
90501-KPL-900	F-11A-LX	92800-12000-00	E-7
90501-KC2-750	F-15-A	92900-06016-0B	E-3
90505-KY4-900	F-23	93401-06020-00	F-3
90543-MV9-670	E-2	93404-06020-00	E-1
90601-KPL-900	E-13	93404-06012-00	F-7
90602-KPL-900	E-2	93404-06012-00	F-12
90602-KPL-900	F-15	93404-06012-08	F-13
90603-KPL-900	E-13	93404-06040-07	F-15
90608-KVT-901	E-12	93404-06030-08	F-15-A
90662-KPL-901	F-22	93404-06016-07	F-16
90672-KPL-901	E-1	93404-06012-00	F-20
90672-KPL-901	F-23	93412-05012-08	E-10
90677-KAN-961	F-6	93500-05010-1A	F-6A
90677-KAN-961	F-7	93500-04025-0G	F-15
90677-KAN-961	F-8	93500-04025-0G	F-23
90677-KAN-961	F-12	93600-05016-0G	F-8
90677-KAN-961	F-20	93891-05025-07	F-4
90683-GAZ-930	F-8	93891-05030-07	F-6
90701-GF6-000	E-3	93892-04006-08L	E-10
90701-GF6-000	E-6	93892-04006-08L	E-17
90701-GF6-000	E-9	93892-04006-08L	E-17
90701-GF6-000	E-11	93901-34120	E-9
90701-GF6-000	E-14	93901-34120	F-1
90741-KPL-900	E-16	93901-22420	F-20
90754-KPL-900	F-10-VX	93903-25380	E-1
90754-KPL-900	F-10A-LX	93903-34120	E-2
90862-GCC-000	F-23	93903-34120	E-11
90862-KTP-900	F-23	93903-24420	F-2
90901-KPL-900	F-9	93903-25380	F-2
90901-KPL-900	F-9A	93903-22480	F-2

PART NO	BLOCK	PART NO	BLOCK
93903-34480	F-4	95701-06032-00	F-10-VX
93903-34420	F-6	95701-06032-00	F-10A-LX
93903-34420	F-8	95701-06012-00	F-15-A
93903-24480	F-14	95701-08025-07	F-17
93903-25480	F-14	95701-06012-00	F-21
93903-25480	F-15	95701-06012-00	F-22
93903-34420	F-19	95701-06016-00	F-22
93903-25280	F-27	95701-08038-08	F-23
93903-25380	F-27	95801-10045-08	F-4
94001-12200-0S	E-12	95801-08055-08	F-9
94021-08000-0S	F-28	95801-08055-08	F-9A
94050-10000	E-8	95801-10040-07	F-16
94050-10000	E-13	95801-10035-00	F-18
94050-06000	F-6	95801-08045-00	F-28
94050-06000	F-10-VX	96001-06025-07	E-1
94050-06000	F-10A-LX	96001-06014-00	E-2
94050-06000	F-12	96001-06016-00	E-3
94050-06000	F-14	96001-06025-07	E-3
94050-06000	F-15-A	96001-06016-00	E-8
94050-08000	F-23	96001-06022-00	E-8
94101-05000	F-6A	96001-06035-00	E-10
94101-06000	F-6A	96001-06035-00	E-11
94101-06000	F-7	96001-06070-00	E-11
94101-06700	F-16	96001-06010-07	F-16
94101-08800	F-28	96001-06018-00	F-22
94102-10000	F-4	96001-06030-00	F-22
94102-12000	F-17	96100-62010-00	E-14
94109-12000	E-7	96100-63010-00	E-14
94201-16150	F-7	96100-62010-00	E-15
94201-25250	F-17	96100-62020-00	E-15
94301-08200	E-7	96211-05000	F-9
94305-30142	F-28	96211-08000	F-9
94305-30202	F-28	96211-05000	F-9A
94520-32000	E-4	96211-08000	F-9A
94520-52150	E-15	98200-31000	F-22
95002-02120	E-2	99101-KPH-0780	E-17
95002-02659	E-17	99103-KTP-0380	E-17
95002-02070	F-13		
95002-02080	F-13		
95002-02130	F-15		
95002-02070	F-15-A		
95005-35280-50	E-17		
95005-14070-30	F-17		
95014-71202	F-17		
95015-81000	F-7		
95015-32001	F-10A-LX		
95015-42000	F-10A-LX		
95015-32001	F-11-VX		
95015-42000	F-11-VX		
95015-32001	F-11A-LX		
95015-42000	F-11A-LX		
95018-40250	F-15		
95701-06025-00	E-3		
95701-06090-00	E-3		
95701-06022-00	E-5		
95701-06022-00	E-7		
95701-06055-00	E-7		
95701-06080-00	E-7		
95701-06115-00	E-7		
95701-06016-00	E-8		
95701-06030-00	E-14		
95701-06040-00	E-14		
95701-08012-00	E-15		
95701-06025-00	F-6		

BLOCK INDEX - GROUP Engine - Pleasure (Mar, 2014).

	 E-1	SHOURD / FAN COVER	67
	 E-2	CYLINDER HEAD COVER	2
	 E-3	CYLINDER HEAD	3
	 E-4	CAM SHAFT / VALVE	4
	 E-5	CAM CHAIN TENSIONER	5
	 E-6	CYLINDER	6
	 E-7	RIGHT CRANK CASE	7
	 E-8	GENERATOR	8
	 E-9	OIL PUMP	9
	 E-10	STARTER MOTOR	10
	 E-11	LEFT CRANK CASE COVER	11
	 E-12	DRIVE FACE	12
	 E-13	DRIVE FACE	13
	 E-14	CASE MISSION / TRANSMISSION	14
	 E-15	LEFT CRANKCASE	15
	 E-16	CRANK SHAFT / PISTON	16
	 E-17	CARBURETTOR	17

BLOCK INDEX - GROUP Frame - Pleasure (Mar, 2014).

	 F-1	HEAD LIGHT	18	
	 F-2	METER	19	
	 F-3	HANDLE LEVER / SWITCH / CABLE	20	
	 F-4	STEERING HANDLE / HANDLE COVER / KEY SET	22	
	 F-5	FRONT FENDER	23	
	 F-6	FR. & INNER COVER	24	
	 F-6A	OPTIONAL	26	
	 F-7	FLOOR PANEL	27	
	 F-8	BODY COVER	29	
	 F-9	STRG. STEM / FR. FORK	31	
	 F-9A	STRG. STEM / FR. FORK	33	
	 F-10-VX	FRONT WHEEL	35	
	 F-10A-LX	SHEET METAL	37	
	 F-11-VX	REAR WHEEL	39	
	 F-11A-LX	SHEET METAL	40	
		 F-12	SEAT / LUGGAGE BOX	41
 F-13		FUEL TANK	42	
 F-14		REAR FENDER	43	
 F-15		AIR CLEANER	44	
 F-15-A		AIR SUCTION VALVE	45	
 F-16		EXHAUST MUFFLER	46	
		 F-17	ARM KICK START/MAIN STAND/STAND SIDE	47
		 F-18	REAR CUSHION	48
	 F-19	FRONT WINKER	49	
	 F-20	REAR COMBINATION LIGHT	50	
	 F-21	BATTERY	51	
		 F-22	WIRE HARNESS	52
		 F-23	FRAME BODY	54
		 F-24	TOOLS	55
		 F-25	CAUTION LABEL	56
	 F-26	MARK / STRIPE	57	
	 F-27	FR. INNER BOX	69	
	 F-28	SARI STEP SET	70	