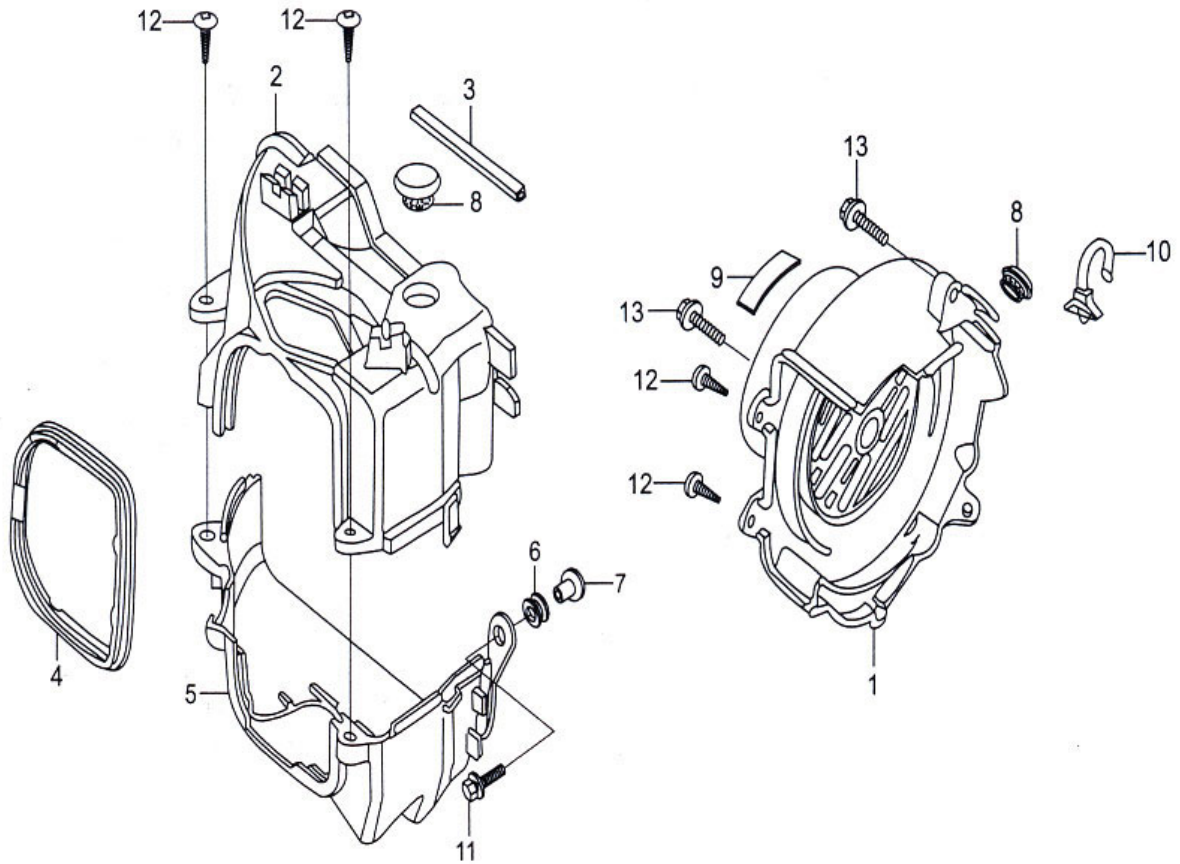


# **PARTS CATALOGUE**

**Pleasure (July, 2012)**

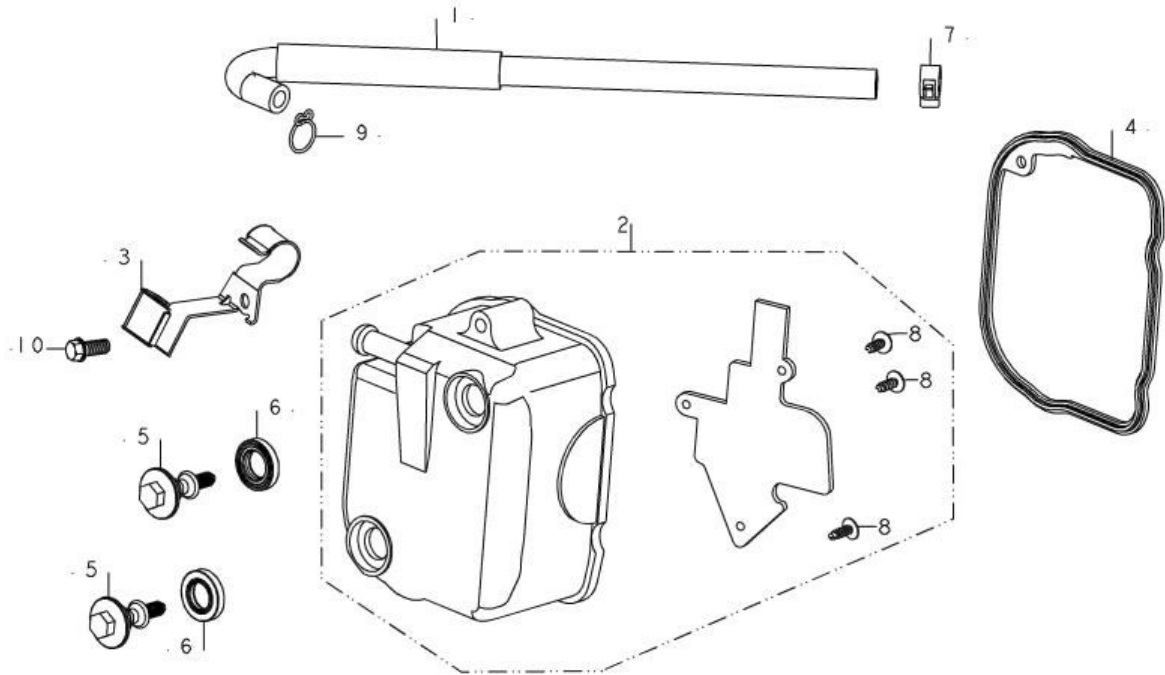
## E-1 : SHOURD / FAN COVER



**Group Number: E-1 Model :: Pleasure (July, 2012)**

Ref No.	Part Number	Description	Req.
1	19610-KPL-840	FAN COVER, COMP.,	1
2	19621-KTP-900H	SHROUD,INLET	1
3	19623-KPL-900	SEAL RUBBER, IN SHROUD	1
4	19625-KPL-840	SEAL, SHROUD	1
5	19631-KTP-900	SHROUD, EXHAUST	1
6	19639-GBC-000	RUBBER , MOUNT	1
7	33715-GB0-900	COLLER, T/L SET	1
8	82871-KTP-900	GROMMET., DRAIN HOLE	2
9	87541-KTP-305	LABEL, OIL RECOMMENDATION	1
10	90672-KPL-901	BODY, CLIP	1
11	93404-06020-00	BOLT, WASH, 6 X 20	1
12	93903-25380	SCREW TAPPING 5X16	4
13	96001-06025-07	BOLT, FLANGE, SH. 6 X 25	2

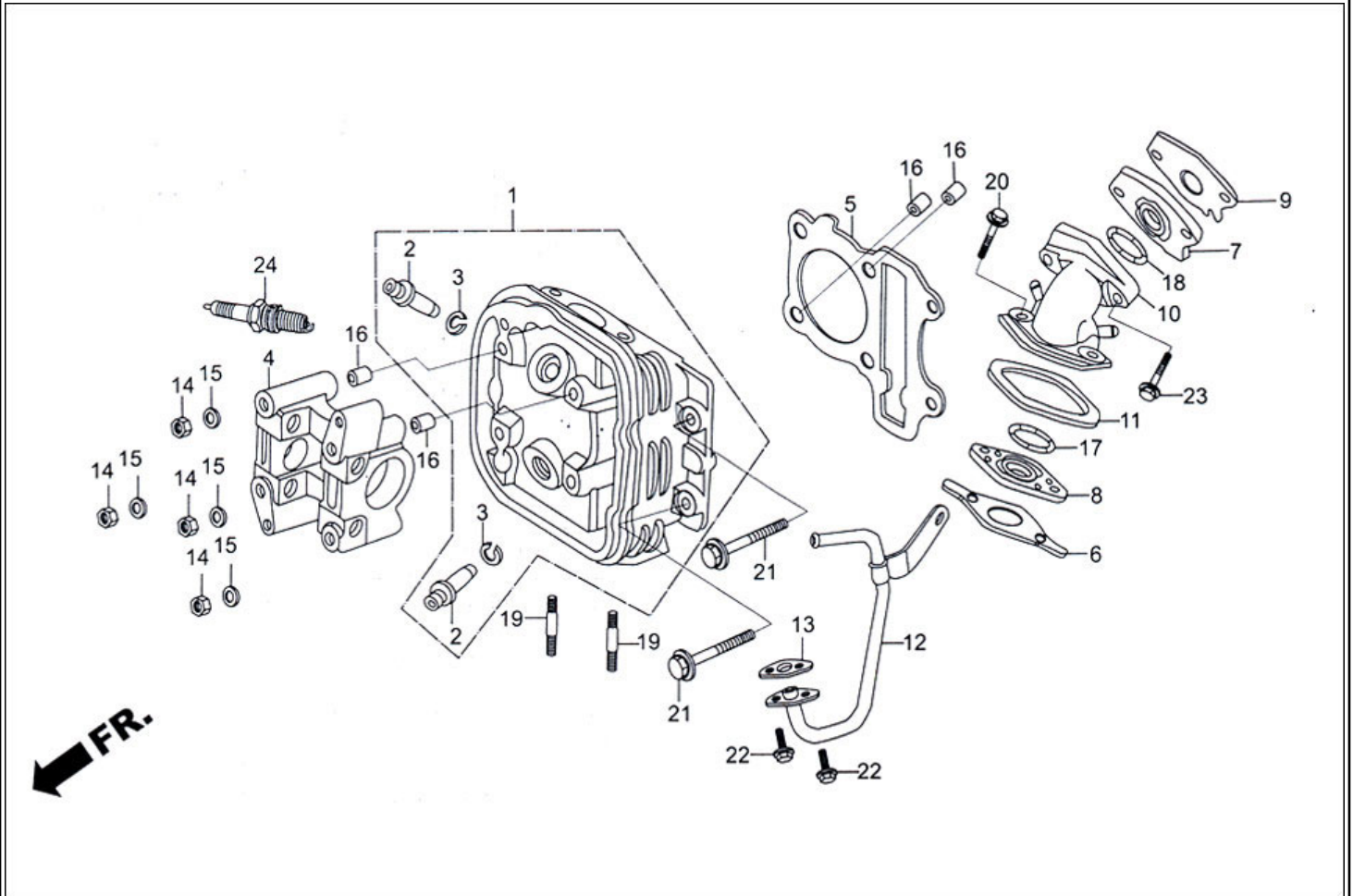
## E-2 : CYLINDER HEAD COVER



**Group Number:** E-2 Model :: Pleasure (July, 2012)

Ref No.	Part Number	Description	Req.
1	11211-KTP-900	TUBE BREATHER	1
2	12310-KPL-840	COVER, COMP., HEAD	1
3	12315-KTP-900	CLAMPER THROTTLE CABLE	1
4	12391-KTP-900A	GASKET HEAD COVER	1
5	90017-KPL-900	BOLT, HEAD COVER	2
6	90543-MV9-670	RUBBER, MOUNT	2
7	90602-KPL-900	CLAMP, D12 TUBE	1
8	93903-34120	SCREW TAPPING 4 X 8	3
9	95002-02120	CLIP, TUBE(B12)	1
10	96001-06014-00	BOLT, FLANGE, SH. 6 X 14	1

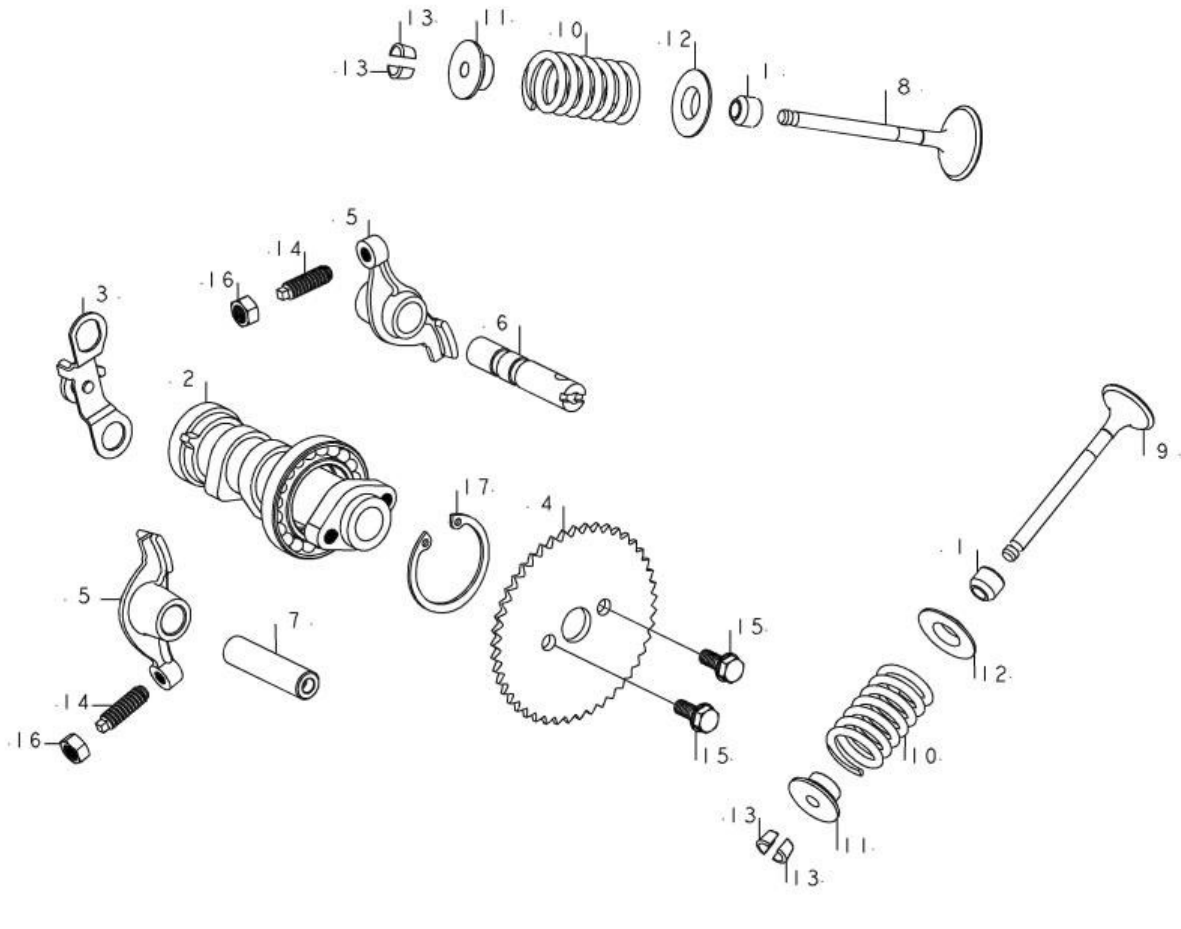
## E-3 : CYLINDER HEAD



**Group Number: E-3 Model :: Pleasure (July, 2012)**

Ref No.	Part Number	Description	Req.
1	12200-KPL-901	HEAD COMP., CYLINDER	1
2	12204-KPL-P00	GUIDE VALVE	2
3	12206-KPL-900	CLIP VALVE GUIDE	2
4	12211-KTP-901	HOLDER CAM SHAFT	1
5	12251-KPL-840	GASKET CYLINDER HEAD	1
6	16201-AAL-00099	GASKET CARB INSULATOR B	1
7	16211-KPL-900	INSOLATOR CARBURETOR A	1
8	16212-KTP-900	INSULATOR CARB. B	1
9	16229-AAL-00099	GASKET CARB INSULATOR A	1
10	17110-KPL-840	PIPE, COMP. INLET	1
11	17113-KPL-900	SEAL, RUBBER INLET PIPE	1
12	18640-KPL-900	PIPE COMP., AIR FEED	1
13	18645-KPL-900	GASKET AIR FEED PIPE	1
14	90201-GCC-000	NUT HEX., 7MM	4
15	90401-GCC-000	WASHER 7.2X16X2.5	4
16	90701-GF6-000	PIN, DOWEL, 8 X 14	4
17	91304-GB0-910	O-RING 20.6X1.9	1
18	91304-GB1-900	O-RING, 25 X 2.4	1
19	92900-06016-0B	BOLT, STUD, 6X16	2
20	95701-06025-00	BOLT, FLANGE, 6X 25	2
21	95701-06090-00	BOLT FLANGE 6X90	2
22	96001-06016-00	BOLT, FLANGE SH. 6 X 16	2
23	96001-06030-00	BOLT, FLANGE, SH., 6 X 30	2
24	31917-AAC-H00	SPARK PLUG	1

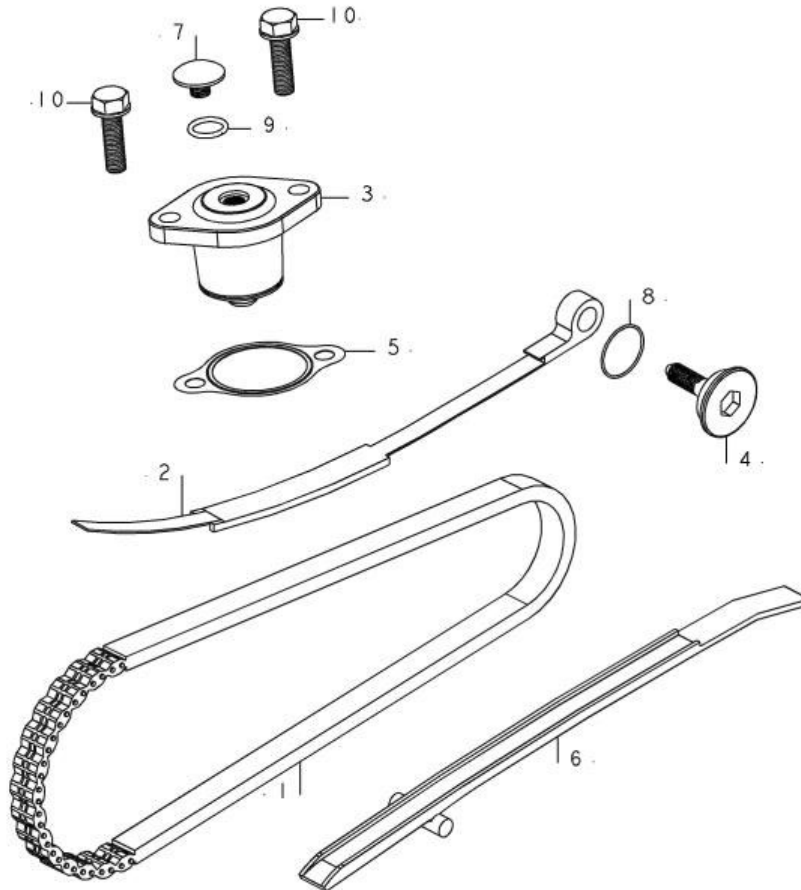
## E-4 : CAM SHAFT / VALVE



**Group Number:** E-4 Model :: Pleasure (July, 2012)

Ref No.	Part Number	Description	Req.
1	12209-GB4-685	SEAL, VALVE STEM	2
2	14100-KTP-900	SHAFT COMP., CAM	1
3	14150-GCC-000	PLATE COMP., STOPPER	1
4	14321-KPL-900	SPROCKET, CAM, (34T)	1
5	14431-GCC-000	ARM, VALVE, ROCKER	2
6	14451-GCC-000	SHAFT IN, ROCKER ARM	1
7	14461-GCC-000	SHAFT EX., ROCKER ARM	1
8	14711-GCC-000	VALVE, INLET	1
9	14721-GCC-000	VALVE, EXHAUST	1
10	14751-KTP-900	SPRING, VALVE	2
11	14771-GB4-680	RETAINER, VALVE SPRING	2
12	14777-KN7-670	SEAT, VALVE SPRING	2
13	14781-MA6-000	COTTER, VALVE	4
14	90012-333-000R	SCREW, TAPPET ADJUSTING	2
15	90083-KRM-840	BOLT, KNOCK, 5 MM	2
16	90206-001-000	NUT, TAPPET ADJUSTING	2
17	94520-32000	CIRCLIP, IN, 32	1

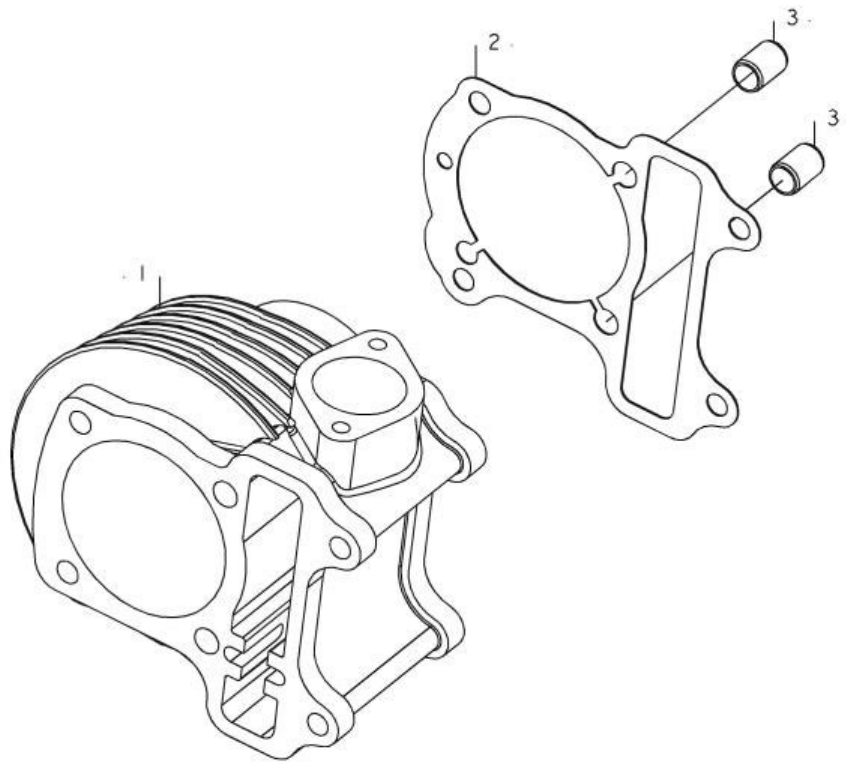
## E-5 : CAM CHAIN TENSIONER



**Group Number:** E-5 Model :: Pleasure (July, 2012)

Ref No.	Part Number	Description	Req.
1	14401-KPL-900	CHAIN, CAM	1
2	14510-KPL-900	TENSIONER COMP., CAM CHAIN	1
3	14520-KPL-840	LIFTER ASSY., TENSIONER	1
4	14531-GCC-000	PIVOT CAM CHAIN TENSIONER	1
5	14560-KCW-880	GASKET TENSIONER LIFTER	1
6	14611-KTP-900	GUIDE, CAM CHAIN	1
7	90005-KY7-000	SCREW, PAN, 6X6	1
8	91301-HM5-630	O-RING, 15.2 X 1.5	1
9	91306-105-690	O-RING, 1.5 X 9.5	1
10	95701-06022-00	BOLT, FLANGE, SH. 6 X 22	2

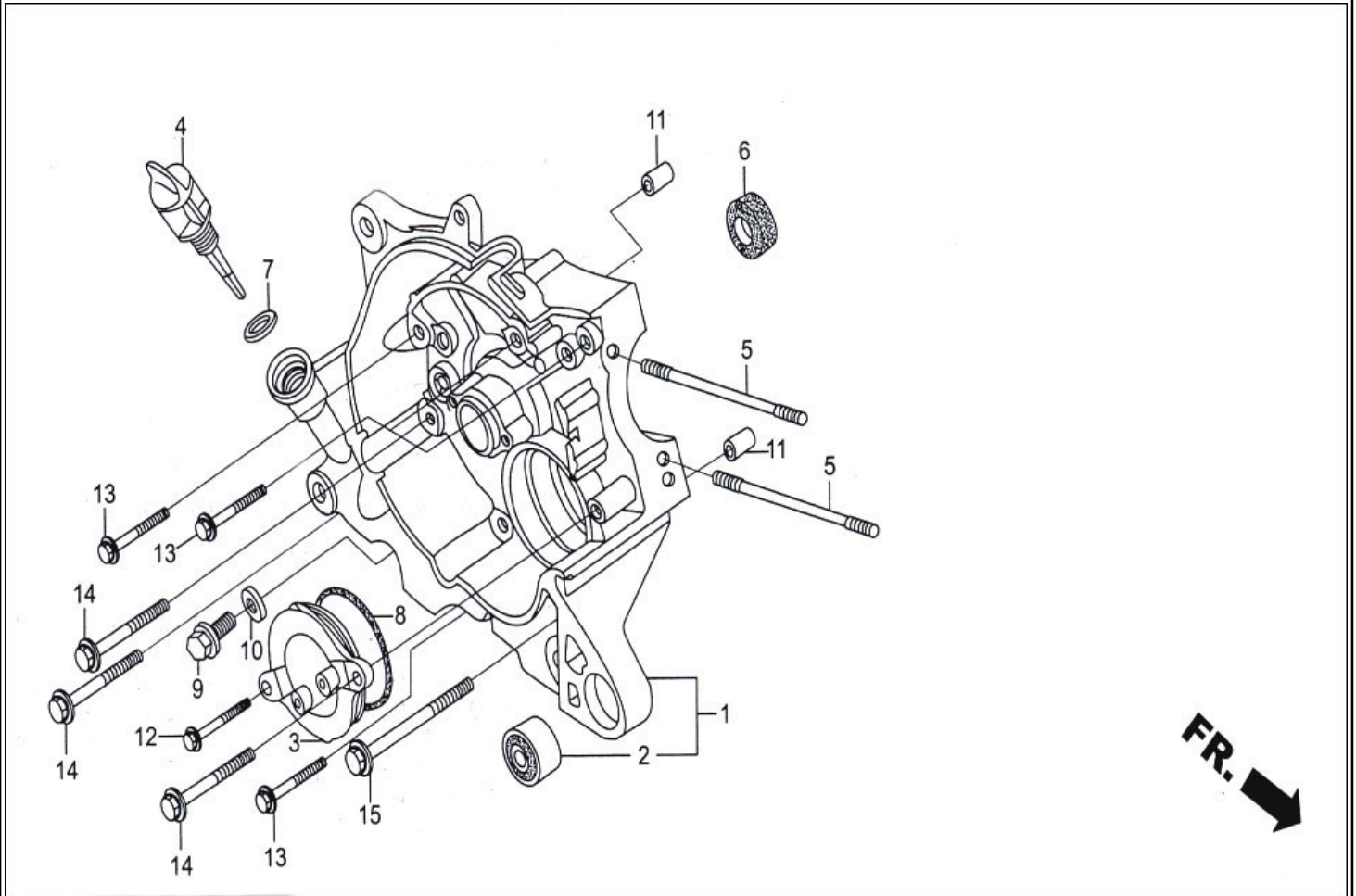
## E-6 : CYLINDER



**Group Number:** E-6 **Model ::** Pleasure (July, 2012)

Ref No.	Part Number	Description	Req.
1	12101-KTP-900	CYLINDER	1
2	12191-KRP-980	GASKET CYLINDER	1
3	90701-GF6-000	PIN, DOWEL, 8 X 14	2

## E-7 : RIGHT CRANK CASE

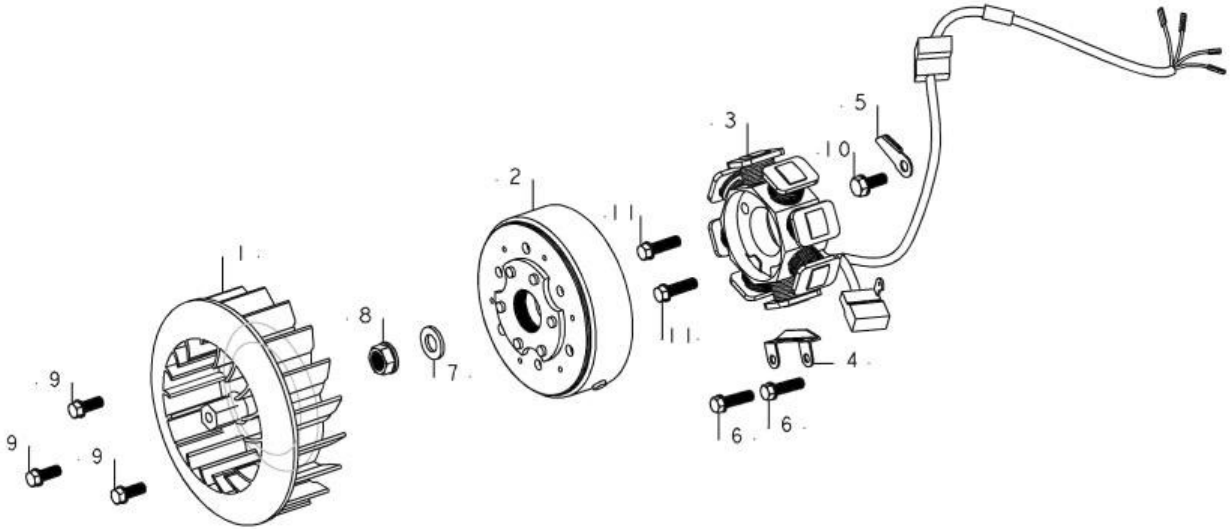


**Group Number:** E-7 Model :: Pleasure (July, 2012)

Ref No.	Part Number	Description	Req.
1	11100-KTP-900	CRANK CASE COMP., R.	1
2	11102-GT8-B00	RUBBER BUSH, ENGINE HANGER	1
3	11361-KPL-900	COVER OIL PUMP	1
4	15651-KTP-900	GAUGE OIL LEVEL	1
5	90031-KPL-900	BOLT A STUD, 7X181	2
6	91201-KPL-901	OIL SEAL, 16X26X7	1
7	91307-035-000	O-RING,18 X 3	1
8	91307-639-000	O-RING, 64X2	1
9	92800-12000-00	DRAIN PLUG BOLT	1
10	94109-12000	WASHER, PLUG, DRAIN	1
11	94301-08200	DOWEL PIN, 8X20	2
12	95701-06022-00	BOLT, FLANGE, SH. 6 X 22	1
13	95701-06055-00	BOLT FLANGE 6X55	4
14	95701-06080-00	BOLT FLANGE 6X80	3
15	95701-06115-00	BOLT FLANGE 6X115	1



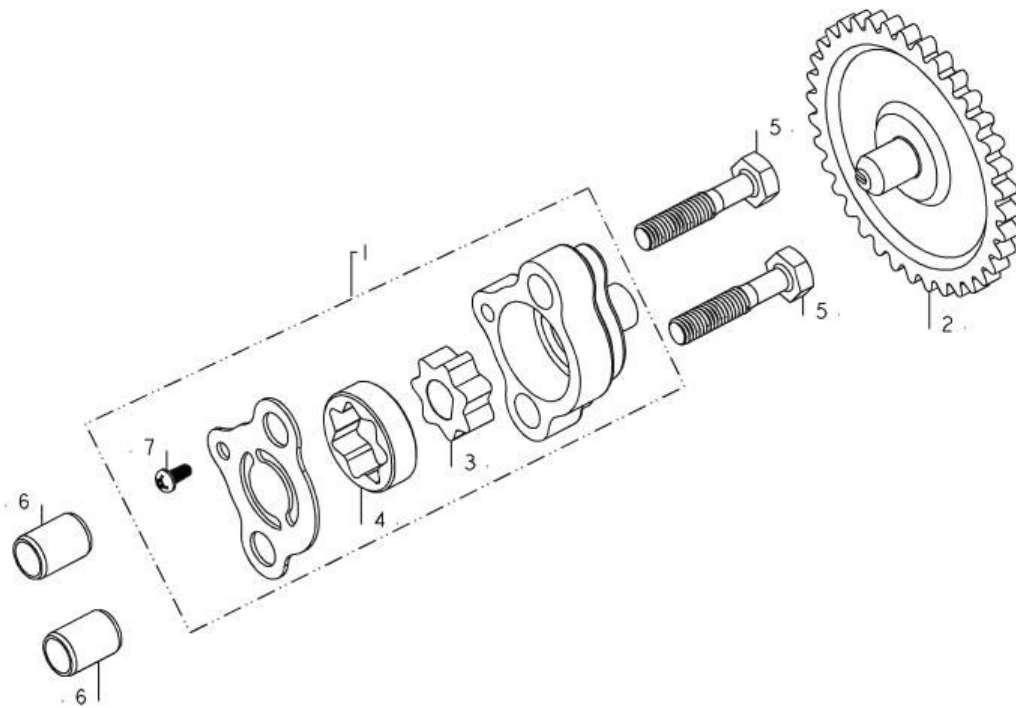
## E-8 : GENERATOR



**Group Number:** E-8 Model :: Pleasure (July, 2012)

Ref No.	Part Number	Description	Req.
1	19510-KTP-900	FAN COMP., COOLING	1
2	31110-KTP-890	FLYWHEEL COMP., ( DENSO)	1
3	31120-KTP-890	STATOR COMP.(DENSO)	1
4	32907-KPL-900	CLIP, ACG CORD	1
5	32976-107-010	CLAMPER, WIRE HARNESS	1
6	90083-KRM-840	BOLT, KNOCK, 5 MM	2
7	90410-GCC-000	WASHER, 10 MM	1
8	94050-10000	NUT, FLANGE, 10MM	1
9	95701-06016-00	BOLT, FLANGE, 6X16	3
10	96001-06016-00	BOLT, FLANGE SH. 6 X 16	1
11	96001-06022-00	BOLT, FLANGE, SH. 6 X 22	2

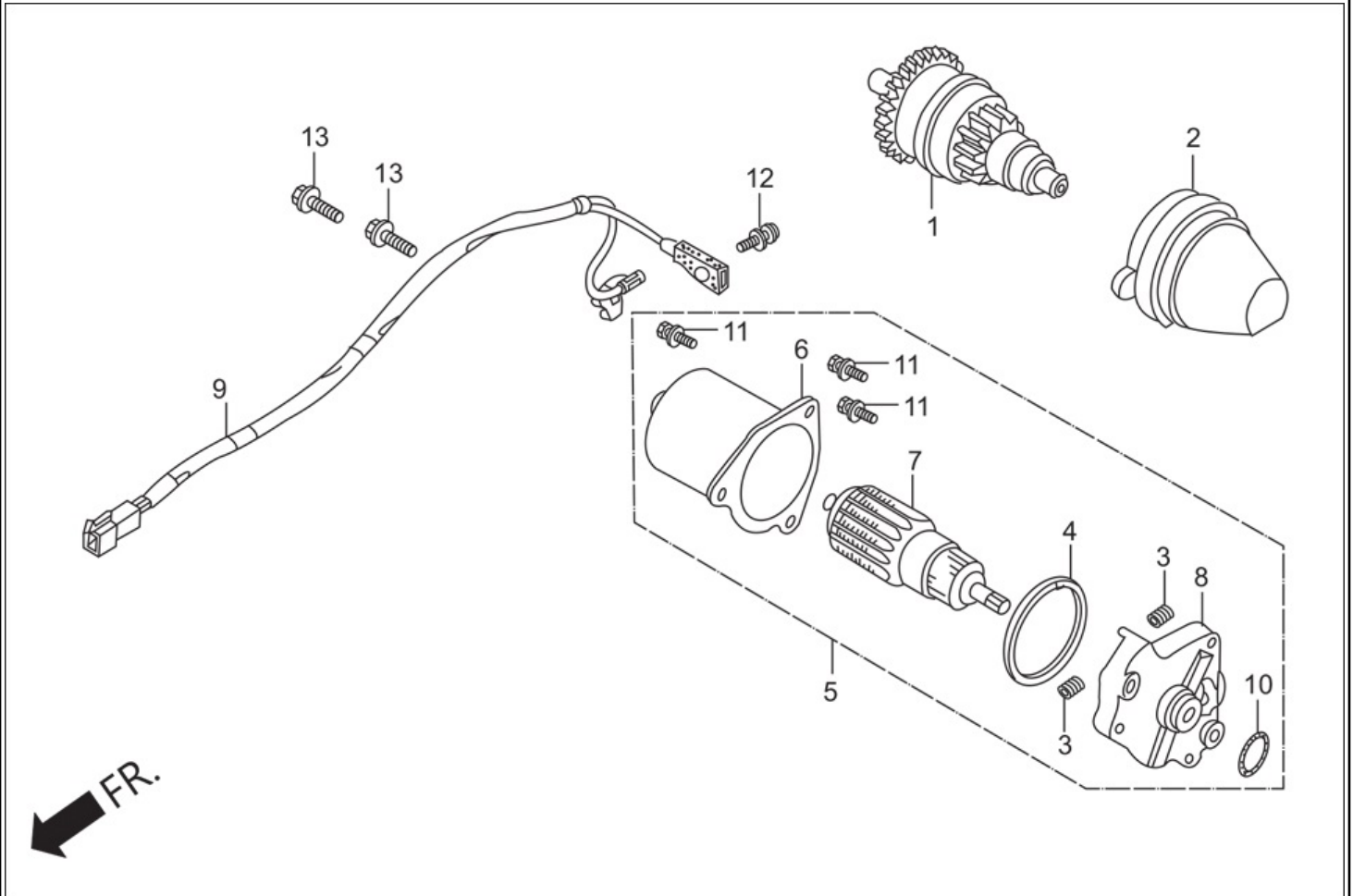
## E-9 : OIL PUMP



**Group Number:** E-9 **Model ::** Pleasure (July, 2012)

Ref No.	Part Number	Description	Req.
1	15100-KTP-900	OIL PUMP ASSY	1
2	15133-GFC-901	GEAR, OIL PUMP DRIVEN	1
3	15331-436-000	ROTOR, OIL PUMP INNER	1
4	15332-436-000	ROTOR, OIL PUMP OUTER	1
5	90001-KPL-900	BOLT, HEX., 6X30	2
6	90701-GF6-000	PIN, DOWEL, 8 X 14	2
7	93901-34120	SCREW, TAPPING, 4X8	1

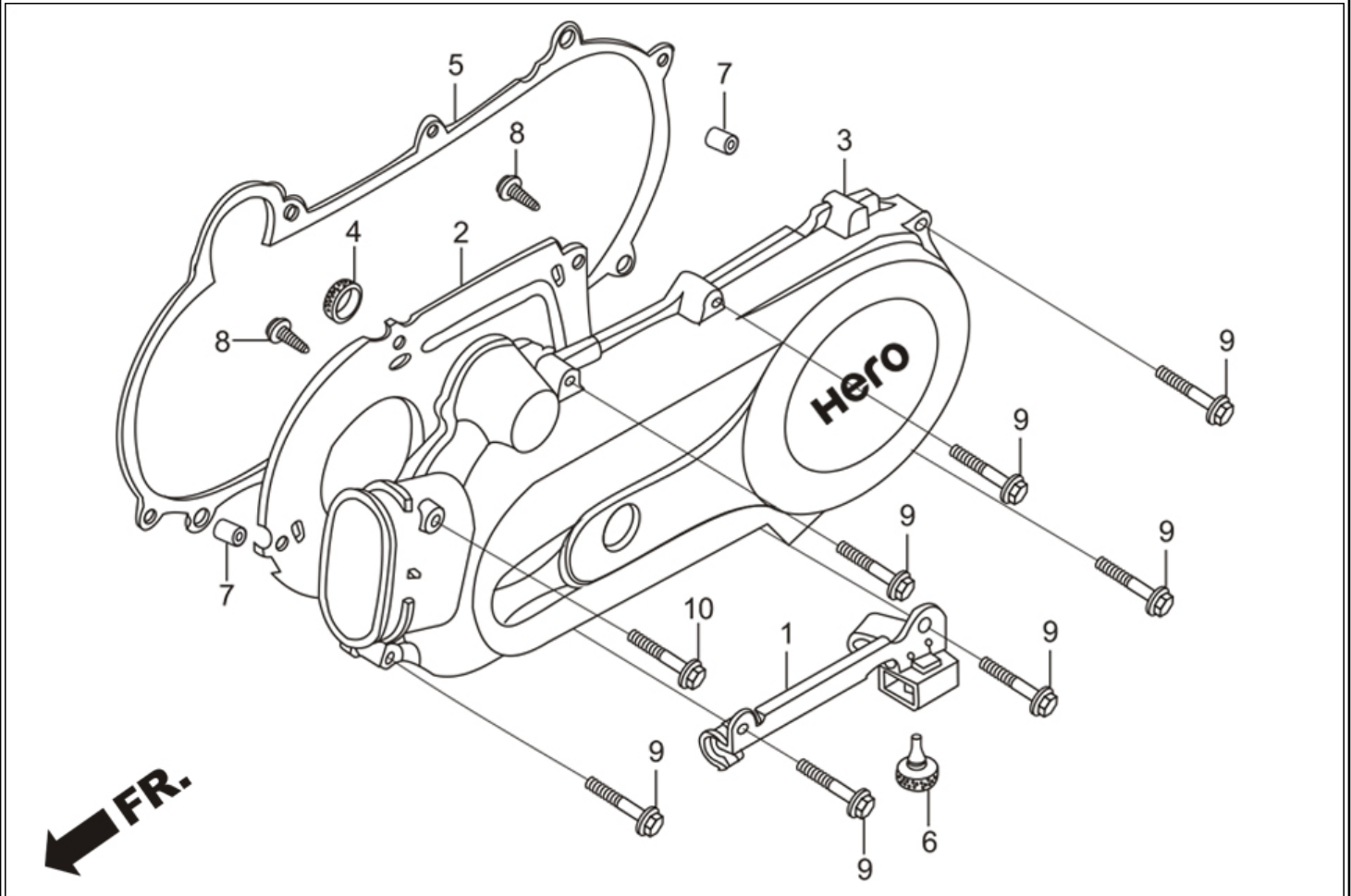
## E-10 : STARTER MOTOR



**Group Number:** E-10 Model :: Pleasure (July, 2012)

Ref No.	Part Number	Description	Req.
1	28120-KPL-901	PINION ASSY., STARTER	1
2	28150-KPL-900	HOLDER COMP., STARTER PINION	1
3	31204-KTP-890	SPRING BRUSH (M/S-LUCAS TVS)	2
4	31206-KTP-890	PACKING (M/S-LUCAS TVS)	1
5	31210-KTP-890	MOTOR UNIT, START	1
6	31211-KTP-890	YOKE	1
7	31212-KTP-890	ARMATURE (M/S-LUCAS TVS)	1
8	31214-KTP-890	FRONT BRKT. COMP.	1
9	32105-KTP-891	HARNES COMP. STARTER MOTOR (M/S-LUCAS TVS)	1
10	91309-KTP-890	O-RING (M/S-LUCAS TVS)	1
11	93412-05012-08	BOLT WASH.5X12	3
12	93892-04006-08L	SCREW WASH 4X6	1
13	96001-06035-00	BOLT, FLANGE, SH. 6 X 35	2

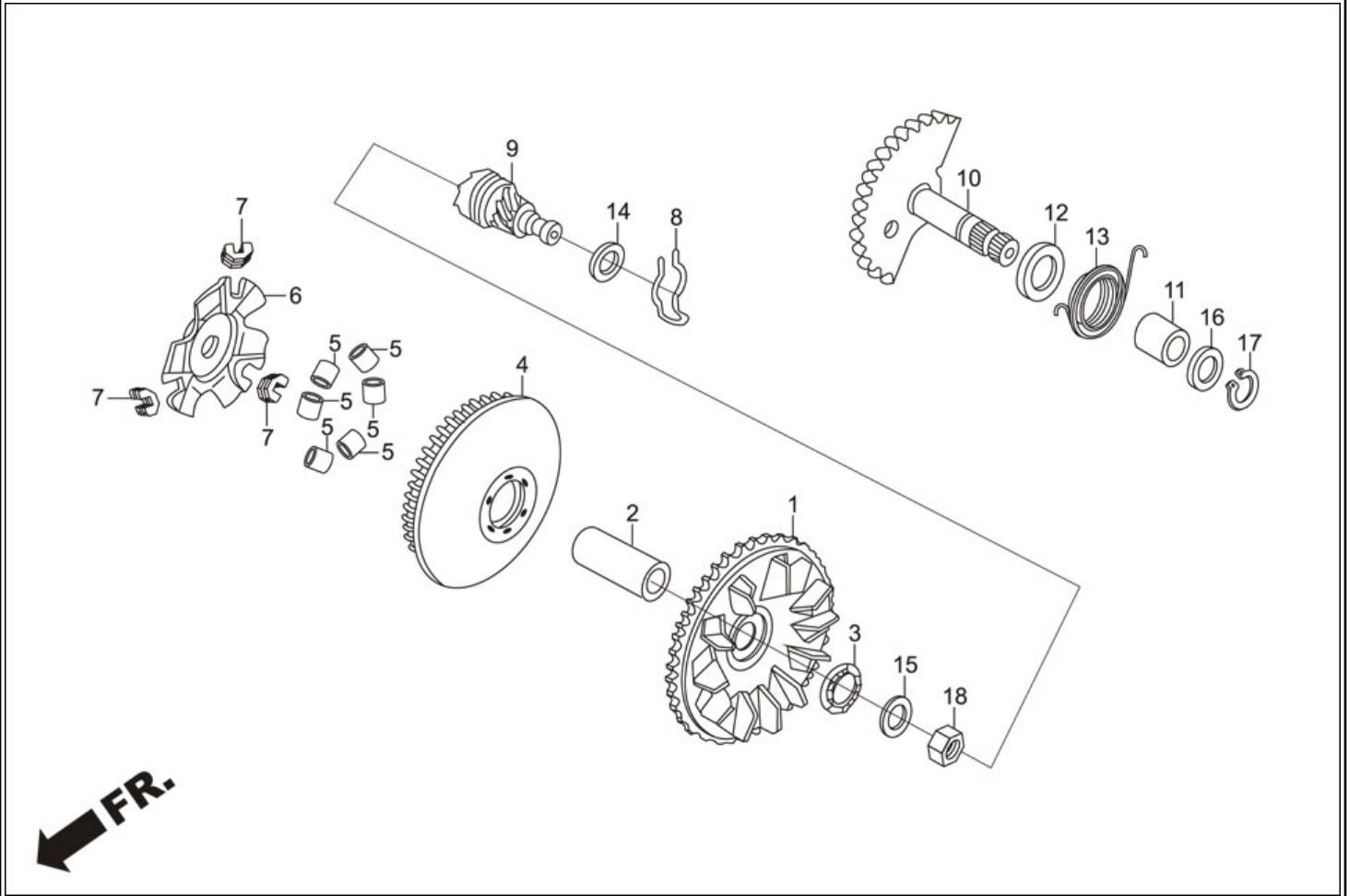
## E-11 : LEFT CRANK CASE COVER



**Group Number:** E-11 Model :: Pleasure (July, 2012)

Ref No.	Part Number	Description	Req.
1	11230-KPL-900	CLAMPER, COMP., RR. BRK. CABLE	1
2	11341-KTP-900	PLATE, L COVER	1
3	11342-AAL-H00	COVER L SIDE	1
4	11344-GW3-980	RUBBER, STARTER PINION HOLDER	1
5	11395-AAL-00099	GASKET L COVER	1
6	50501-KTP-900	STOPPER RUBBER	1
7	90701-GF6-000	PIN, DOWEL, 8 X 14	2
8	93903-34120	SCREW TAPPING 4 X 8	5
9	96001-06035-00	BOLT, FLANGE, SH. 6 X 35	7
10	96001-06070-00	BOLT, FLANGE, SH., 6X70	1

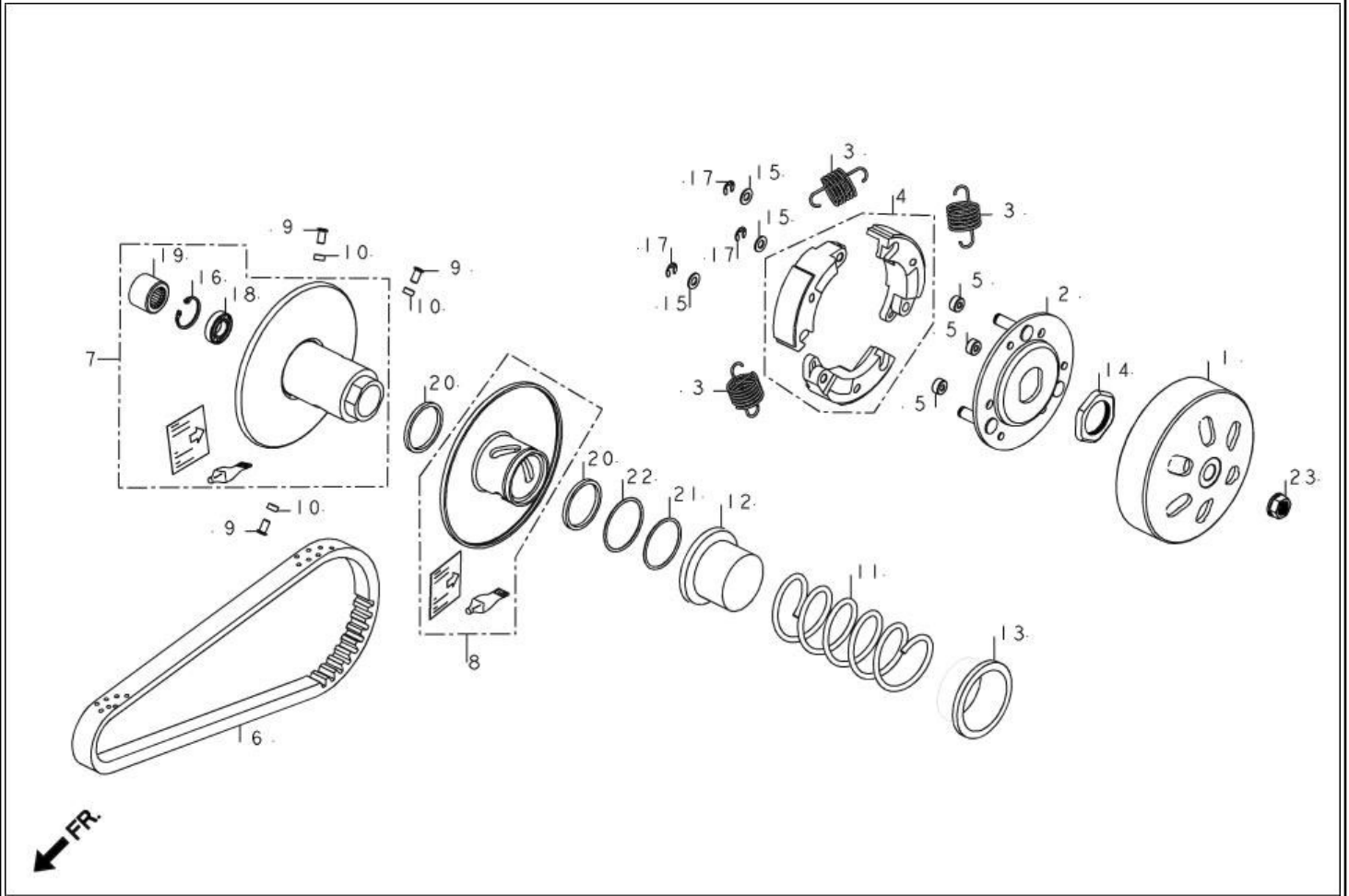
## E-12 : DRIVE FACE



**Group Number:** E-12 Model :: Pleasure (July, 2012)

Ref No.	Part Number	Description	Req.
1	22102-AAL-400	FACE COMP., DRIVE	1
2	22105-KPL-900	BOSS, DRIVE FACE	1
3	22109-KTP-900	RATCHET STARTER	1
4	22110-KPL-900	FACE COMP., MOVABLE DRIVE	1
5	22121-KTP-900	ROLLER, COMP., WEIGHT 12GR	6
6	22131-KPL-900	PLATE, RAMP	1
7	22132-KPL-900	PIECE, SLIDE	3
8	28223-GCC-000	SPG., KICK DRIVEN GEAR	1
9	28230-KVT-900	GEAR COMP., KICK DRIVEN	1
10	28250-KVT-900	SPINDLE COMP., KICK STARTER	1
11	28253-KVT-900	BUSH, KICK SPINDLE	1
12	28255-KPL-900	COLLAR, KICK BOSS	1
13	28281-GCC-000	SPRING, KICK RETURN	1
14	90412-329-000	WASHER, THRUST, 10MM	1
15	90426-KBN-900	WASHER, SPECIAL, 12MM	1
16	90451-KVT-900	WASHER, KICK SPINDLE	1
17	90608-KVT-901	CIRCLIP, EX., 16	1
18	94001-12200-0S	NUT, HEX, 12MM	1

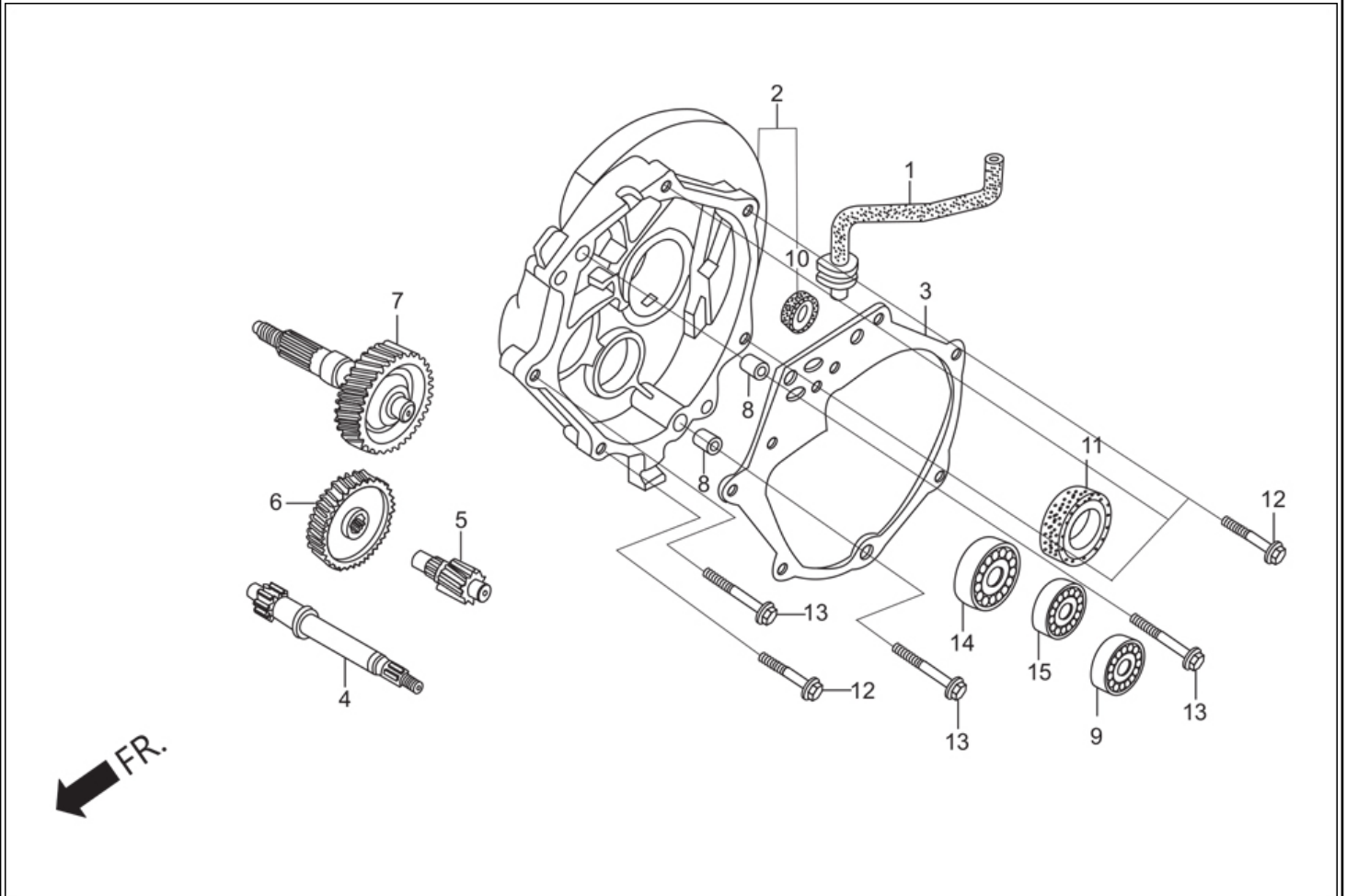
## E-13 : DRIVE FACE



**Group Number:** E-13 Model :: Pleasure (July, 2012)

Ref No.	Part Number	Description	Req.
1	22100-KPL-900	OUTER COMP., CLUTCH	1
2	22350-KPL-900	PLATE COMP., DRIVE	1
3	22401-KTP-901	SPRING, CLUTCH	3
4	22535-KPL-901	WEIGHT, SET, CLUTCH	1
5	22804-148-000	RUBBER, CLUTCH DAMPER	3
6	23100-AAW-001	BELT DRIVE	1
7	23205-KRP-982	FACE SET, DRIVEN	1
8	23224-KRP-980	FACE SET., MOVABLE DRIVEN	1
9	23225-KPL-900	PIN, ROLLER; GUIDE	3
10	23226-KPL-900	ROLLER, GUIDE	3
11	23233-KPL-900	SPG., DRIVEN FACE	1
12	23237-KPL-900	COLLAR SEAL	1
13	23238-KPL-900	COLLAR SPG.	1
14	90202-KPL-900	NUT SPECIAL 28MM	1
15	90442-KPL-900	WASHER, THRUST, 6MM	3
16	90601-KPL-900	CIRCLIP, INT.24	1
17	90603-KPL-900	CIRCLIP, 5MM	3
18	91006-GAZ-980	BRG., RADIAL BALL, 6901 U	1
19	91103-GAZ-980	BRG., NEEDLE, 17X25X18 WS	1
20	91211-GK8-013	OIL SEAL 34X39X3	2
21	91351-642-000	O-RING, PINION CAP	1
22	91351-GR1-000	O-RING-38.5X2	1
23	94050-10000	NUT, FLANGE, 10MM	1

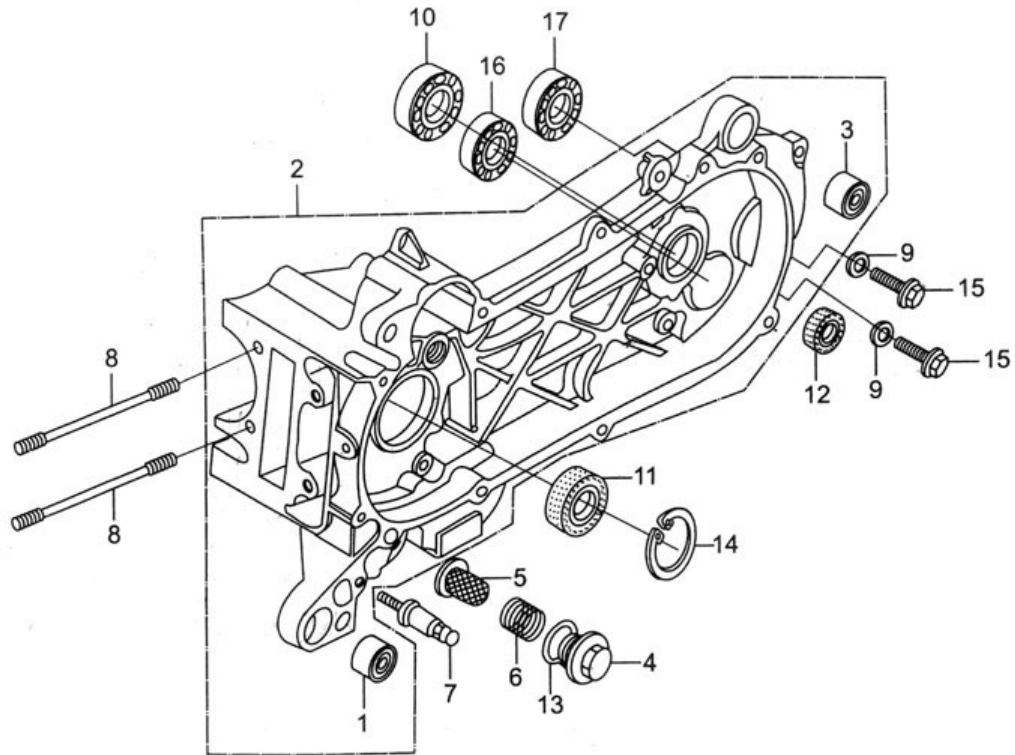
## E-14 : CASE MISSION / TRANSMISSION



**Group Number:** E-14 Model :: Pleasure (July, 2012)

Ref No.	Part Number	Description	Req.
1	11220-GCC-000	TUBE, MISSION, BREATHER	1
2	21200-KTP-900	CASE, COMP., MISSION	1
3	21395-GFC-901	GASKET, MISSION CASE	1
4	23411-KPL-900	SHAFT, DRIVE	1
5	23421-GCC-000	SHAFT COUNTER	1
6	23422-GCC-000	GEAR COUNTER	1
7	23430-KPL-901	GEAR COMP. FINAL	1
8	90701-GF6-000	PIN, DOWEL, 8 X 14	2
9	91009-GW3-980	BEARING, BALL, RADIAL, 6004UU	1
10	91203-KPL-901	OIL SEAL 14X20X3.2	1
11	91255-KPL-901	OIL SEAL 27X42X7	1
12	95701-06030-00	BOLT, FLANGE, 6X30	4
13	95701-06040-00	BOLT FLANGE 6X40	3
14	96100-62010-00	BEARING, RADIAL BALL, 6201	1
15	96100-63010-00	BRG.BALL RADIAL 6301	1

## E-15 : LEFT CRANKCASE

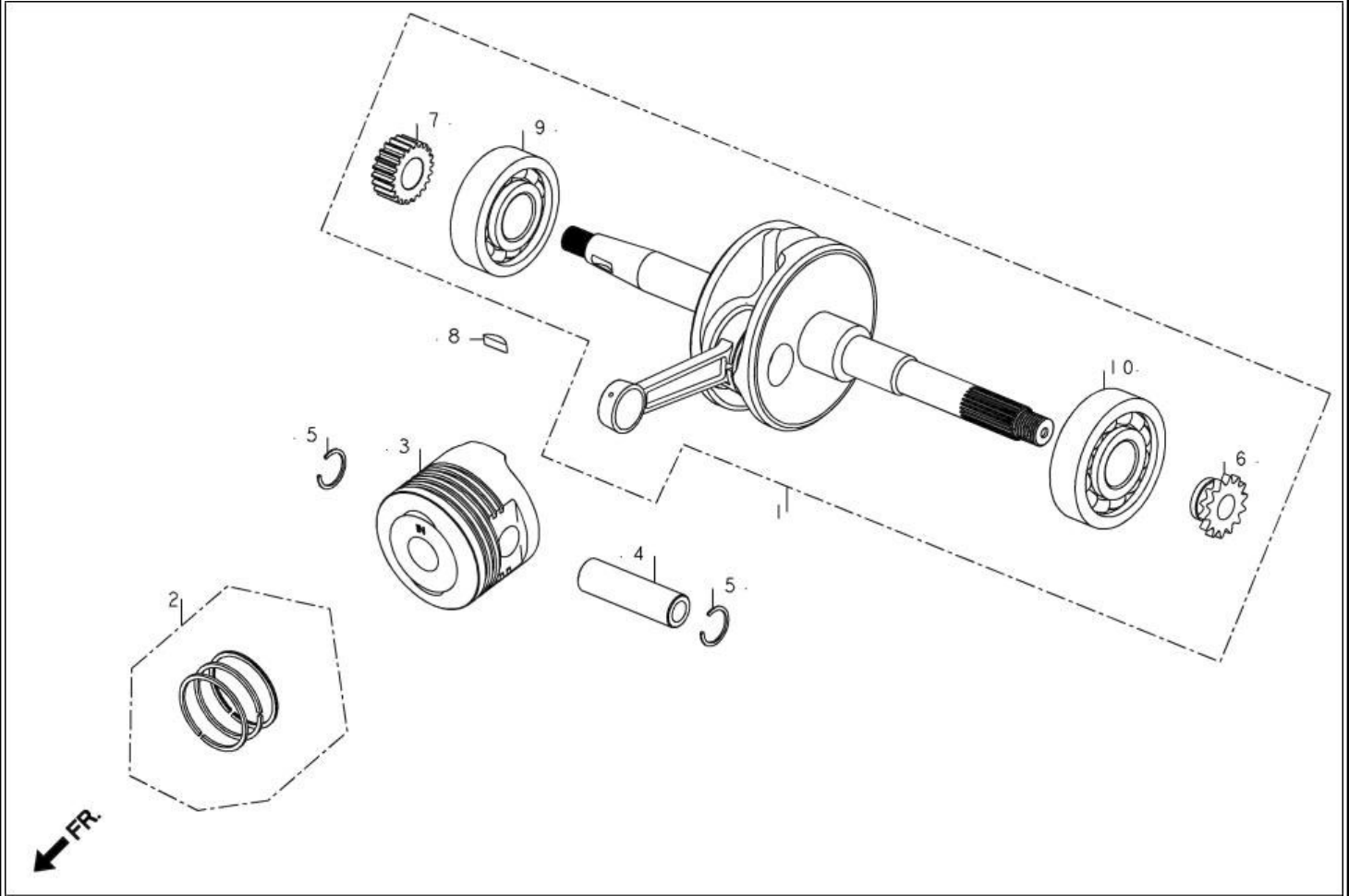


**Group Number:** E-15 Model :: Pleasure (July, 2012)

Ref No.	Part Number	Description	Req.
1	11102-GT8-B00	RUBBER BUSH, ENGINE HANGER	1
2	11200-KTP-900	CRANKCASE COMP., L	1
3	11203-GC7-300	UNDER RUBBER, BUSH, RR. CUSHION	1
4	12361-035-000	CAP, TAPPET ADJUSTING HOLE	1
5	15421-107-000	SCREEN, OIL FILTER	1
6	15426-KCW-880	SPRING, OIL FILTER SCREEN	1
7	90008-KPL-900	BOLT, MAIN STAND SPRING	1
8	90032-KPL-900	BOLT B, STUD, 7X186	2
9	90474-333-000	WASHER, 8MM	2
10	91004-AAL-00099	BRG.BALL RADIAL 6203 SPC	1
11	91202-KTP-900	OIL SEAL, 20.8X52X6	1
12	91204-KPL-901	OIL SEAL, 17X30X6	1
13	91302-001-020	O-RING, 30.8 MM	1
14	94520-52120	CIRCLIP, INT.52	1
15	95701-08012-00	BOLT,FLANGE, 8X12	2
16	96100-62010-00	BEARING, RADIAL BALL, 6201	1
17	96100-62020-00	BEARING, RADIAL BALL, 6202	1



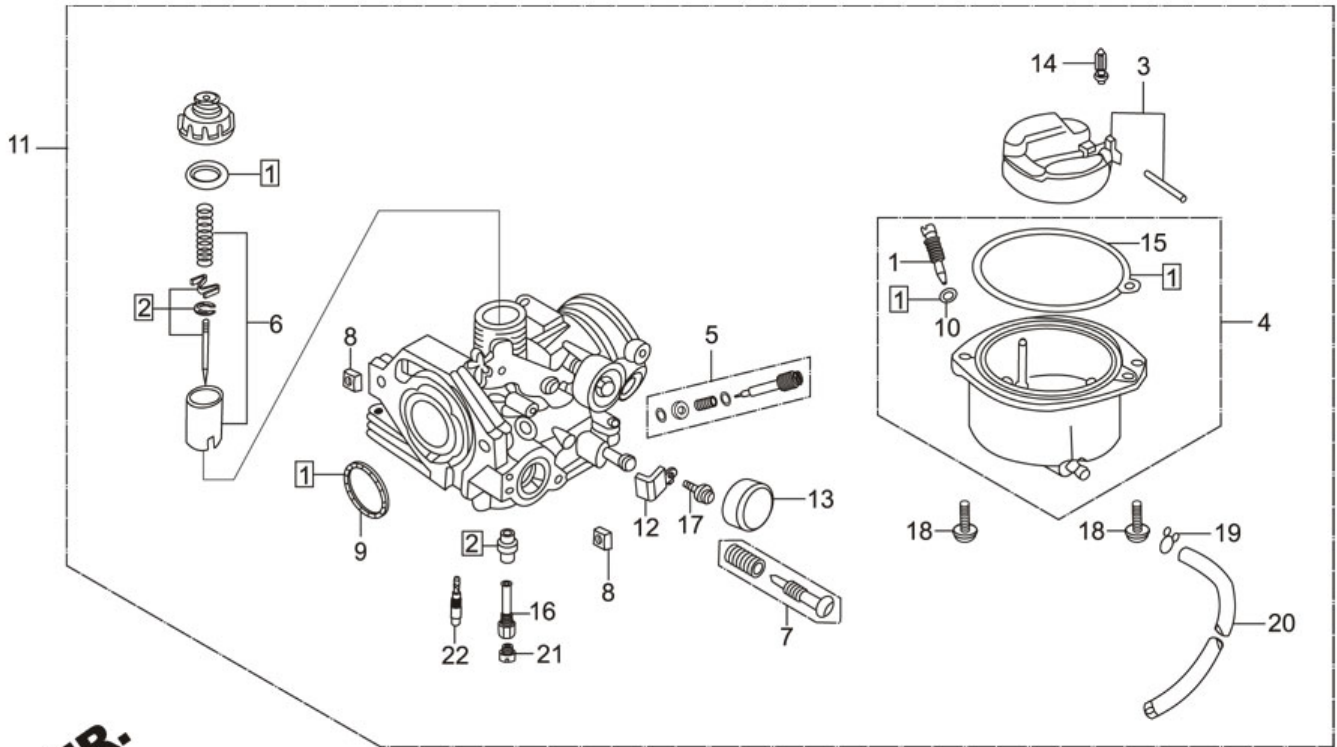
## E-16 : CRANK SHAFT / PISTON



**Group Number:** E-16 Model :: Pleasure (July, 2012)

Ref No.	Part Number	Description	Req.
1	13000-KTP-900	CRANK SHAFT COMP.	1
2	13011-KCC-942	RING SET, PISTON (STD)	1
	13012-KCC-942	RING SET PISTON O/S (.25)	1
	13013-KCC-942	RING SET PISTON O/S (.50)	1
	13014-KCC-942	RING SET PISTON O/S (.75)	1
	13015-KCC-942	RING SET PISTON O/S (1.00)	1
3	13101-KPL-901	PISTON	1
	13102-KPL-901	PISTON, (O/S 0.25)	1
	13103-KPL-901	PISTON, (O/S 0.50)	1
	13104-KPL-901	PISTON, (O/S 0.75)	1
	13105-KPL-901	PISTON, (O/S 1.00)	1
4	13111-087-000	PIN, PISTON	1
5	13115-001-000	CLIP, PISTON PIN	2
6	14311-KPL-900	SPROCKET, TIMING	1
7	15131-KPL-900	GEAR, OIL PUMP DRIVE	1
8	90741-KPL-900	KEY, WOODRUFF	1
9	91001-GCC-000	BRG., BALL RADIAL, 6205Z	1
10	91002-GCC-000	BRG., BALL RADIAL, 6007	1

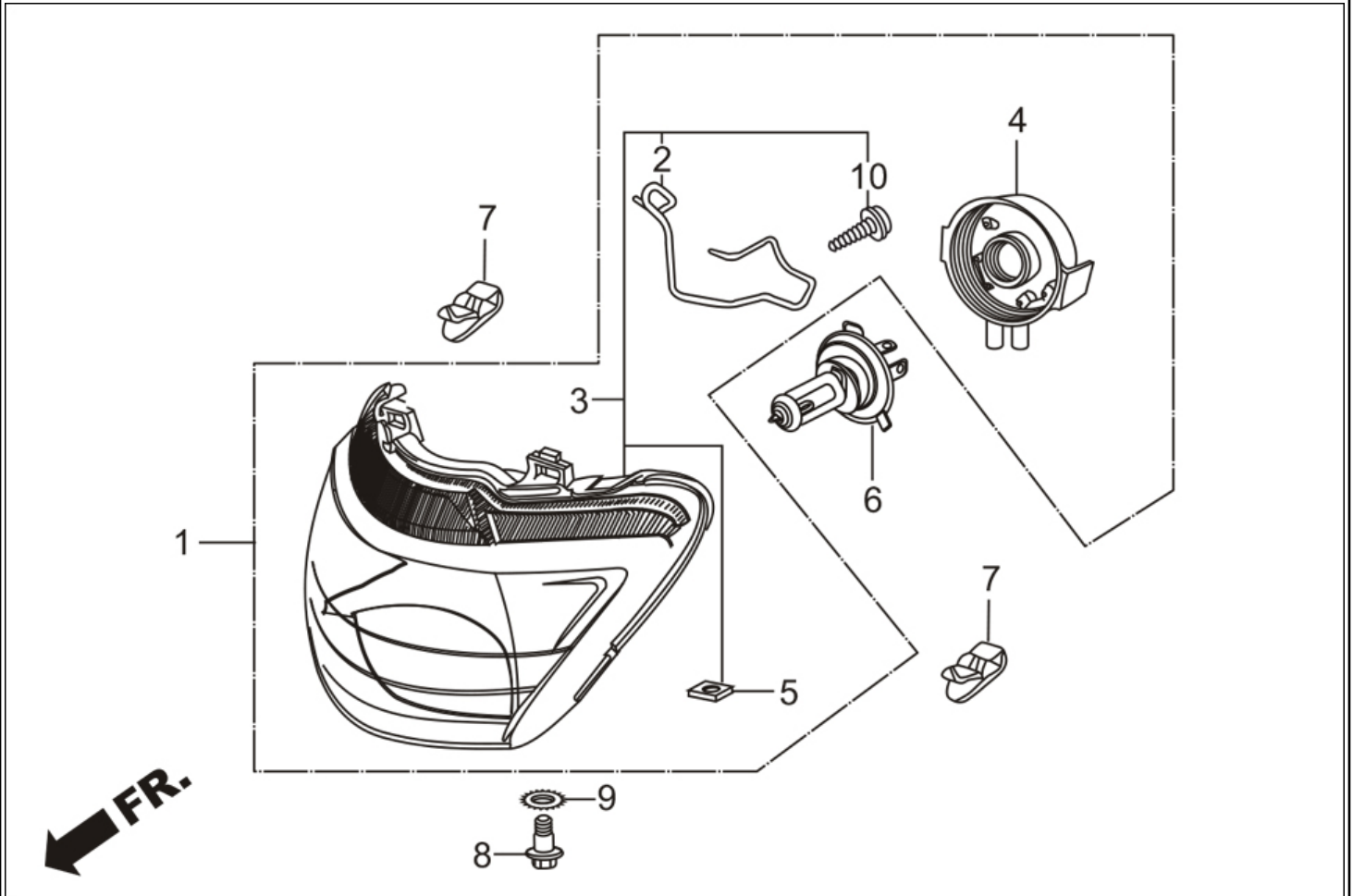
## E-17 : CARBURETTOR



**Group Number:** E-17 Model :: Pleasure (July, 2012)

Ref No.	Part Number	Description	Req.
1	16010-KVT-901	GASKET, SET	1
2	16012-KTP-951	NEEDLE, SET, JET	1
3	16013-KRB-901	FLOAT, SET	1
4	16015-KTP-951	CHAMBER, SET, FLOAT	1
5	16016-KPW-H01	SCREW, SET	1
6	16022-KTP-901	VALVE, SET, THROTTLE	1
7	16028-KPL-901	SCREW, SET	1
8	16041-KPL-901	SQUARE, NUT, SET	1
9	16075-KPL-901	O-RING	1
10	16076-KPL-901	O-RING	1
11	16100-AAL-H00	CARBURETOR ASSY	1
12	16119-KPL-901	PLATE STAY	1
13	16148-KPL-901	CAP,CHOKE LEVER DUST	1
14	16155-KPL-901	VALVE COMP ., FLOAT	1
15	16163-GFP-901	GASKET FLOAT CHAMBER	1
16	16165-KRP-761	HOLDER, NEEDLE JET	1
17	93892-04008-18	SCREW WASH 4X8	1
18	93892-04018-08L	SCREW, WASH. 4 X18	2
19	95002-02659	CLIP, B-1, 6.5 TUBE	1
20	95005-35280-50	TUBE, OVERFLOW	1
21	99101-KPH-0780	JET MAIN # 78A	1
22	99103-KTP-0380	JET COMP. #38X #38	1

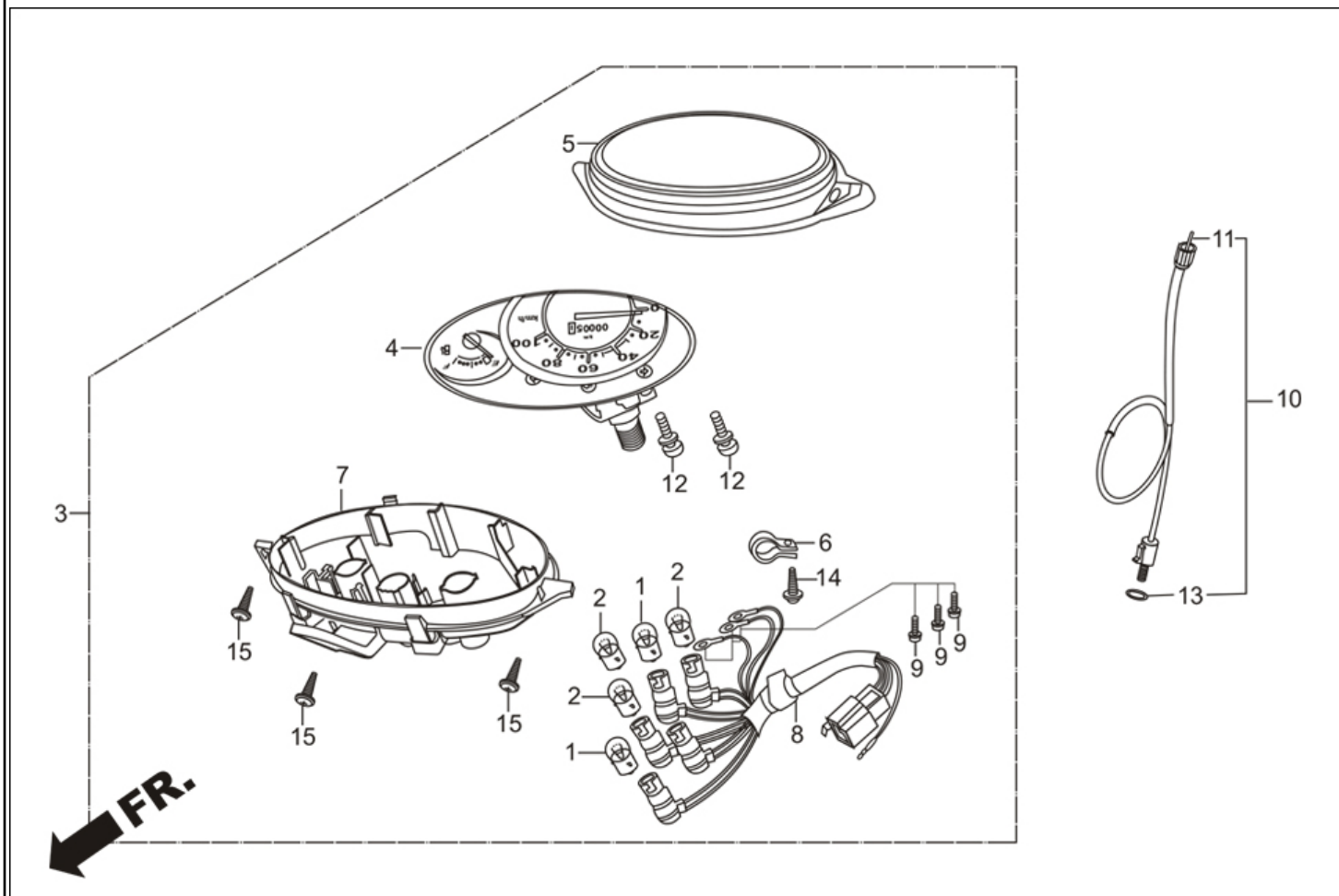
## F-1 : HEAD LIGHT



**Group Number:** F-1 **Model ::** Pleasure (July, 2012)

Ref No.	Part Number	Description	Req.
1	3310B-AAL-H90	LIGHT ASSY HEAD(W/O BULB)	1
1A	3310B-AAL-H90	LIGHT ASSY HEAD(W/O BULB)	1
2	33108-KRY-900	SPRING, SPC(BULB HOLDER)	1
3	33120-AAL-H90	UNIT HEAD LIGHT	1
4	33126-KTP-890	COVER, RUBBER	1
5	33128-GFC-890	NUT, SPECIAL	1
6	34901-KSP-910	BULB, HEAD LIGHT	1
7	53209-GAH-000	CLIP, HEADLIGHT	2
8	90101-GJ6-000	BOLT, ADJUST	1
9	90307-GJ6-000	WASHER, LOCK, 6 MM	1
10	93901-04012-00	SCREW, TAPPING SPL., 4 X 12	1

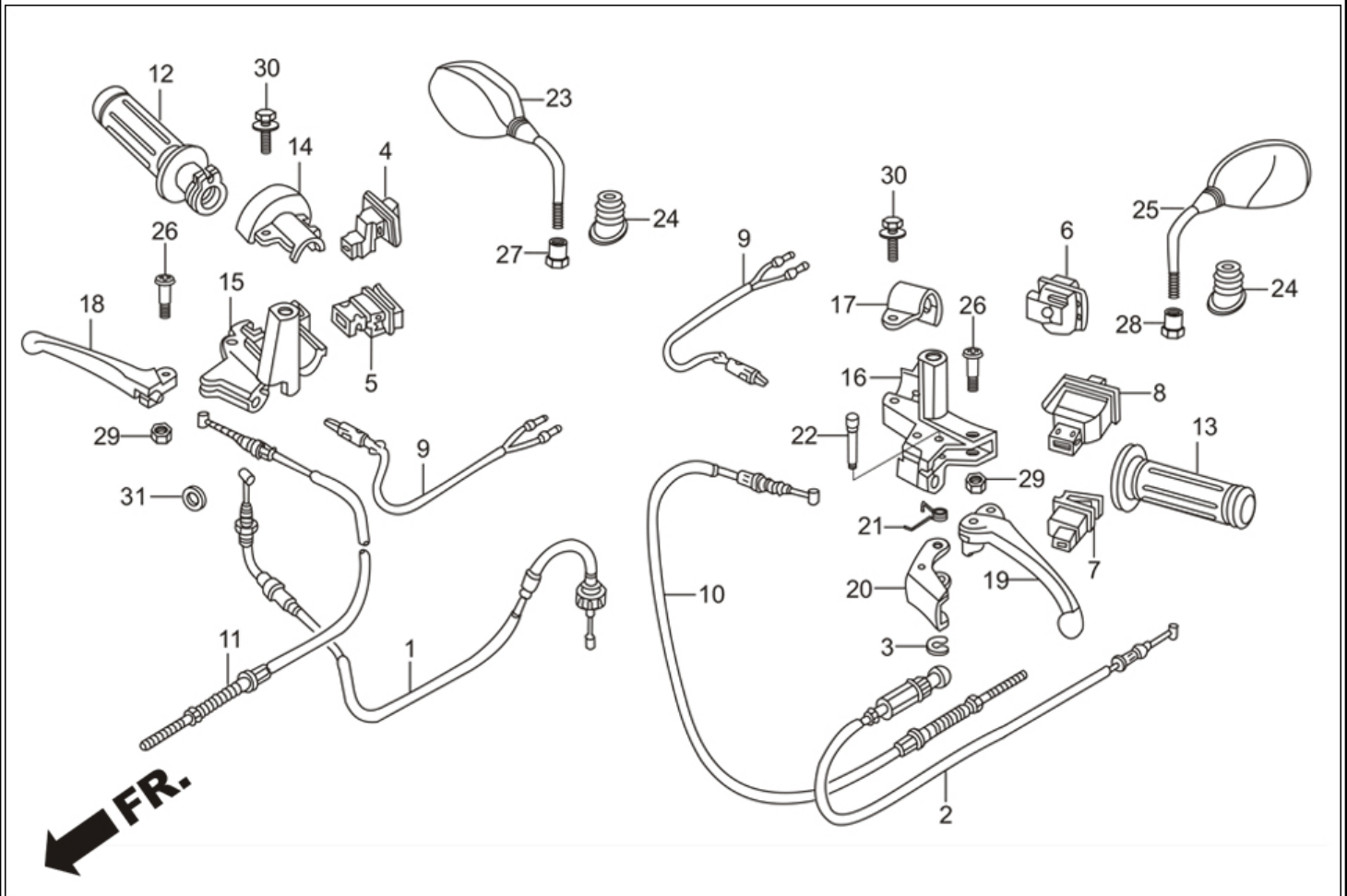
## F-2 : METER



**Group Number:** F-2 **Model ::** Pleasure (July, 2012)

Ref No.	Part Number	Description	Req.
1	34908-KVE-900	BULB, WEDGE BASE T10 (12V - 1.7 W)	2
2	34909-KVE-900	BULB, WEDGE BASE (12V - 3 W)	3
3	37200-AAL-H51	SPEEDOMETER ASSY	1
4	37210-AAL-H51	SPEEDO.& FUEL METER COMP.	1
5	37211-KTP-890	LENS	1
6	37216-KCJ-710	CLAMP	1
7	37220-AAL-H90	CASE COMP.	1
8	37224-KTP-951	SOCKET COMP	1
9	37305-GW3-780	SCREW, WASH 3X22	3
10	44830-KTP-900	CABLE COMP., SPDMT	1
11	44831-KTP-900	CABLE INNER	1
12	90035-GW3-980	SCREW, WASH , SPL.4X10	2
13	91352-GAZ-930	O-RING 8.5X11.5	1
14	93903-24420	SCREW,TAPPING,4 X 16	1
15	93903-25380	SCREW TAPPING 5X16	3

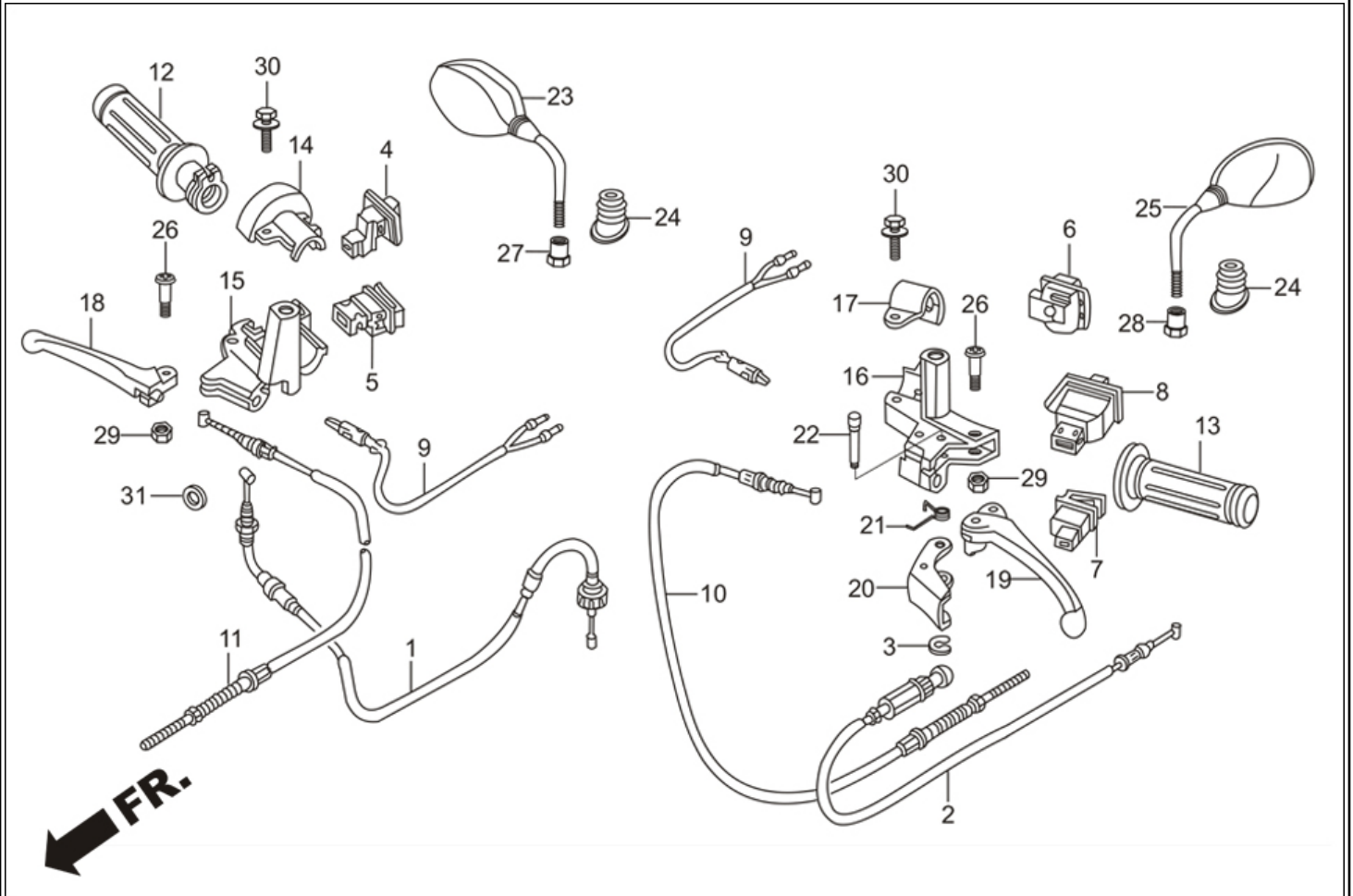
### F-3 : HANDLE LEVER / SWITCH / CABLE



Group Number: F-3 Model :: Pleasure (July, 2012)

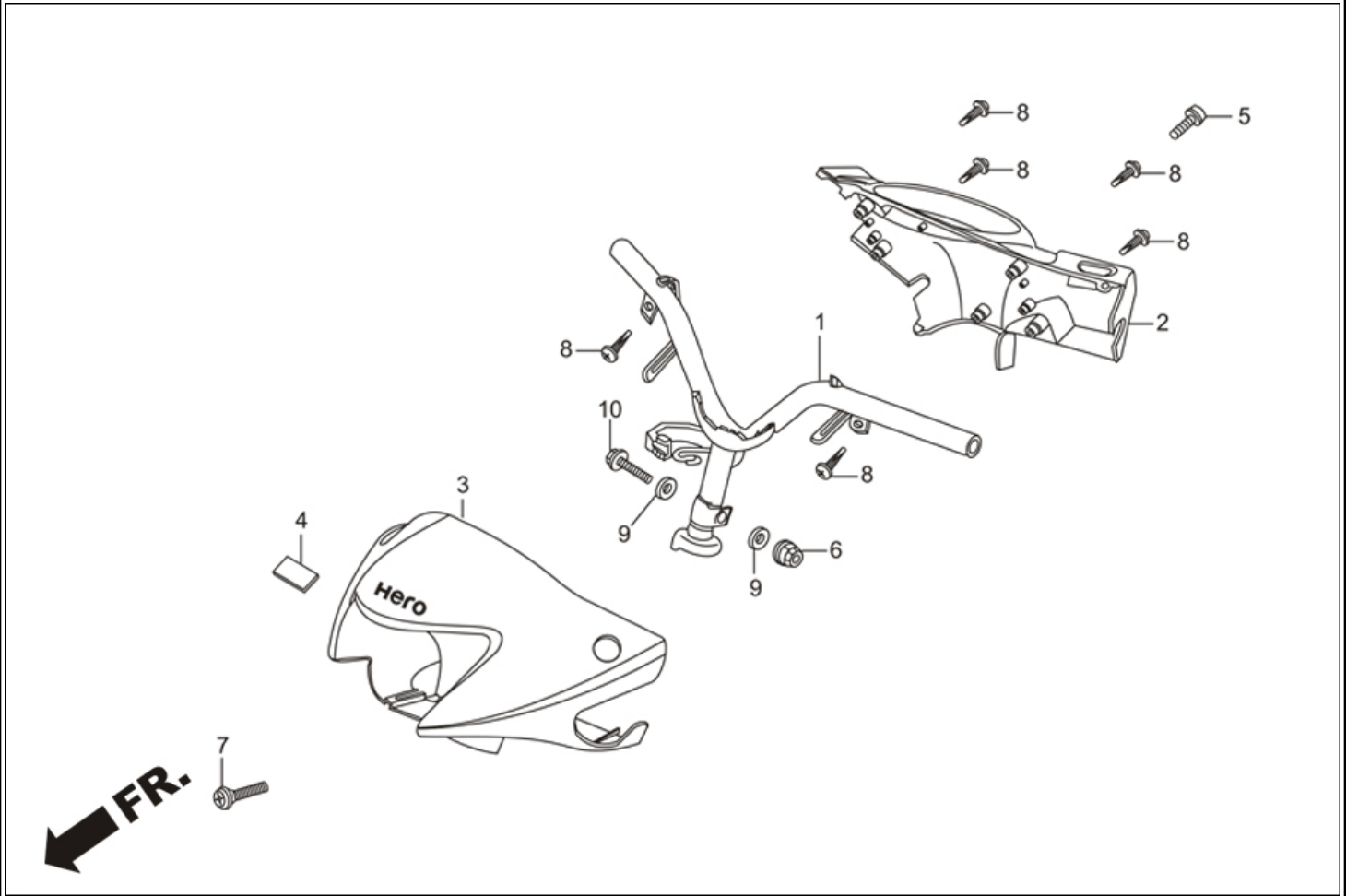
Ref No.	Part Number	Description	Req.
1	17920-KTP-305	CABLE SET, THROTTLE	1
2	17950-KPL-900	CABLE COMP.,CHOKE	1
3	30158-GW3-980	RING E TYPE 3MM	1
4	35150-KTP-890	SW UNIT LIGHTING	1
5	35160-KTP-890	SWITCH, UNIT START	1
6	35170-KTP-890	SW UNIT DIMMER	1
7	35180-KTP-890	SWITCH, UNIT HORN	1
8	35200-KTP-890	SWITCH, UNIT WINKER	1
9	35340-KTP-890	SWITCH ASSY., FR. STOP	2
10	43450-KTP-900	CABLE COMP., RR. BRK.	1
11	45450-KTP-900	CABLE COMP., FR. BRK.	1
12	53140-KTP-900	GRIP COMP. , THROT	1
13	53166-KTP-900	GRIP L HANDLE	1
14	53167-KPL-900	HOUSING , UPP., THROT	1
15	53168-KTP-900	HOUSING UND., THROT	1
16	53172-KTP-900	BRKT, HANDLE	1
17	53173-KPL-900	BAND, HANDLE BRKT	1
18	53175-KTP-900	LEVER, R. STRG. HANDLE	1
19	53178-KTP-900	LEVER, L. HANDLE	1
20	53181-KTP-950	LEVER COMP., PARKING	1
21	53182-GW3-980	SPRING, RETURN LEVER	1
22	53183-GW3-980	PIN, PIVOT, PARKING LEVER	1
23	88110-AAL-H01ZA	MIRROR ASSY R BACK(BLACK,NH-1)	1
	88110-AAL-H01ZB	MIRROR ASSY R BACK(CBR, R-195C)	1

### F-3 : HANDLE LEVER / SWITCH / CABLE



	88110-AAL-H01ZE	MIRROR ASSY R BACK(PFW, NH-341P)	1
	88110-AAL-H01ZF	MIRROR ASSY R BACK(FSM, NH-411M)	1
24	88113-KRP-901	CAP, LOCK NUT	2
25	88120-AAL-H01ZA	MIRROR ASSY L BACK(BLACK,NH-1)	1
	88120-AAL-H01ZB	MIRROR ASSY L BACK(CBR, R-195C)	1
	88120-AAL-H01ZE	MIRROR ASSY L BACK(PFW, NH-341P)	1
	88120-AAL-H01ZF	MIRROR ASSY L BACK(FSM, NH-411M)	1
26	90115-KPL-900	SCREW, HNDL LEVER PIVOT	2
27	90134-GM8-000	NUT, LOCK	1
28	90135-KGF-900	NUT, LOCK L.H.	1
29	90304-KPL-900	NUT HEX 5 MM	2
30	93401-06020-00	BOLT, WASHER, 6 X 20	2
31	94103-05800	WASHER,PLAIN, 5.5MM	1

## F-4 : STEERING HANDLE / HANDLE COVER / KEY SET

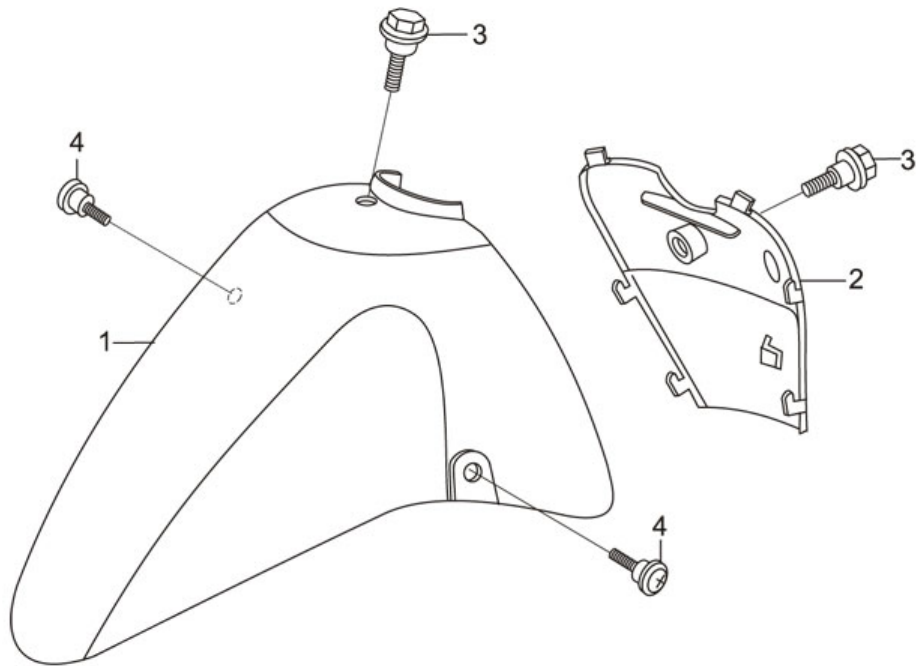


**Group Number:** F-4 Model :: Pleasure (July, 2012)

Ref No.	Part Number	Description	Req.
1	53100-AAL-400	HANDLE COMP. STRG.	1
2	53206-KTP-900	COVER, HANDLE RR.	1
3	53207-AAL-H30ZA	SET, HANDLE FR COVER(BLACK,TYPE-1)	1
	53207-AAL-H30ZB	SET, HANDLE FR COVER(BLACK,TYPE-2)	1
	53207-AAL-H30ZC	SET, HANDLE FR COVER(CBR, R-195C)	1
	53207-AAL-H30ZE	SET, HANDLE FR COVER(PFW, NH-341P)	1
	53207-AAL-H30ZF	SET, HANDLE FR COVER(LPM, P-50M)	1
	53207-AAL-H30ZG	SET, HANDLE FR COVER(SGM, G-191M)	1
4	53208-KTP-900	HEAT INSULATOR	1
5	90116-KTP-900	SCREW WASH 5X16	1
6	90304-KCS-920	NUT U 10 MM	1
7	93891-05025-07	SCREW, WASH, 5X25	1
8	93903-34480	SCREW, TAPPING, 4X 16	6
9	94102-10000	WASHER, PLAIN, 10MM	2
10	95801-10045-08	BOLT, FLANGE, 10X45	1



## F-5 : FRONT FENDER

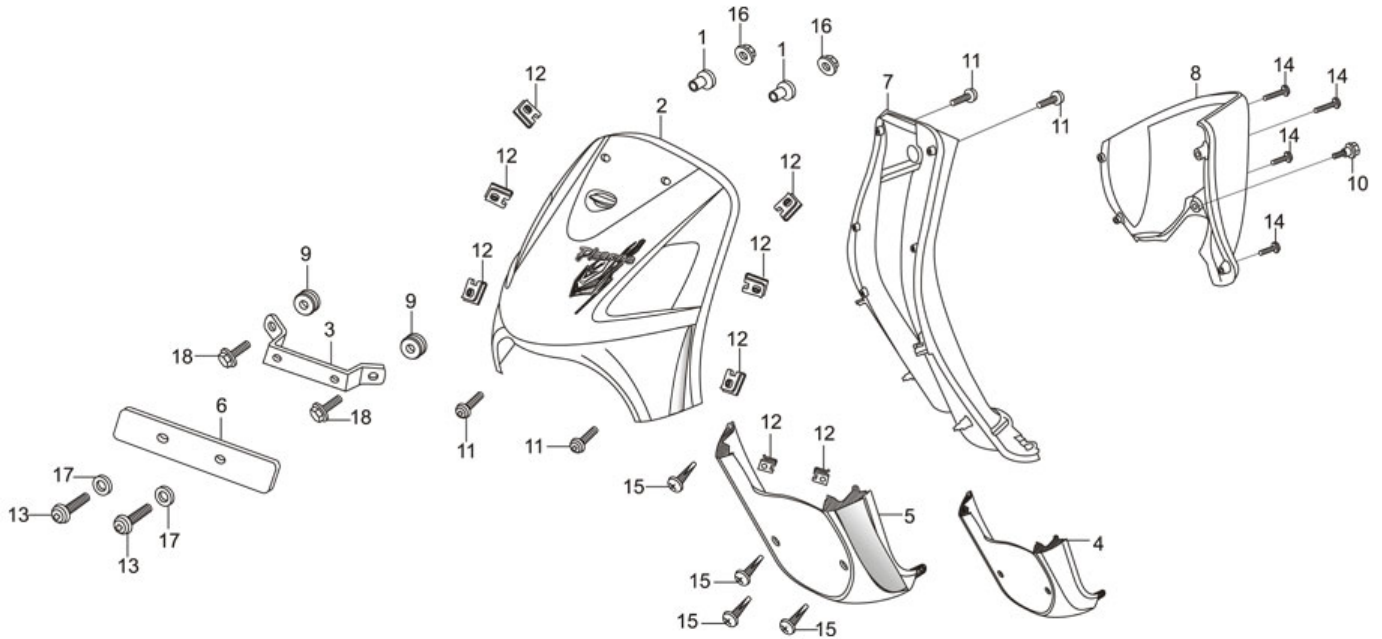


**Group Number:** F-5 Model :: Pleasure (July, 2012)

Ref No.	Part Number	Description	Req.
1	61100-KTP-900ZAH	FENDER A FRONT(FSM)	1
	61100-KTP-900ZC	FENDER, A FR. (CANDY BLAZING RED)	1
	61100-KTP-900ZJ	FENDER, A FR. (BLACK)	1
	61100-KTP-950ZE	FENDER, A FR. (PEARL FADELESS WHITE)	1
2	61110-KTP-900	FENDER, B, FR	1
3	90111-KPL-900	BOLT, INNER COVER	2
4	90113-KTP-900	BOLT SPECIAL HEX. 6X14	2



## F-6 : FR. & INNER COVER

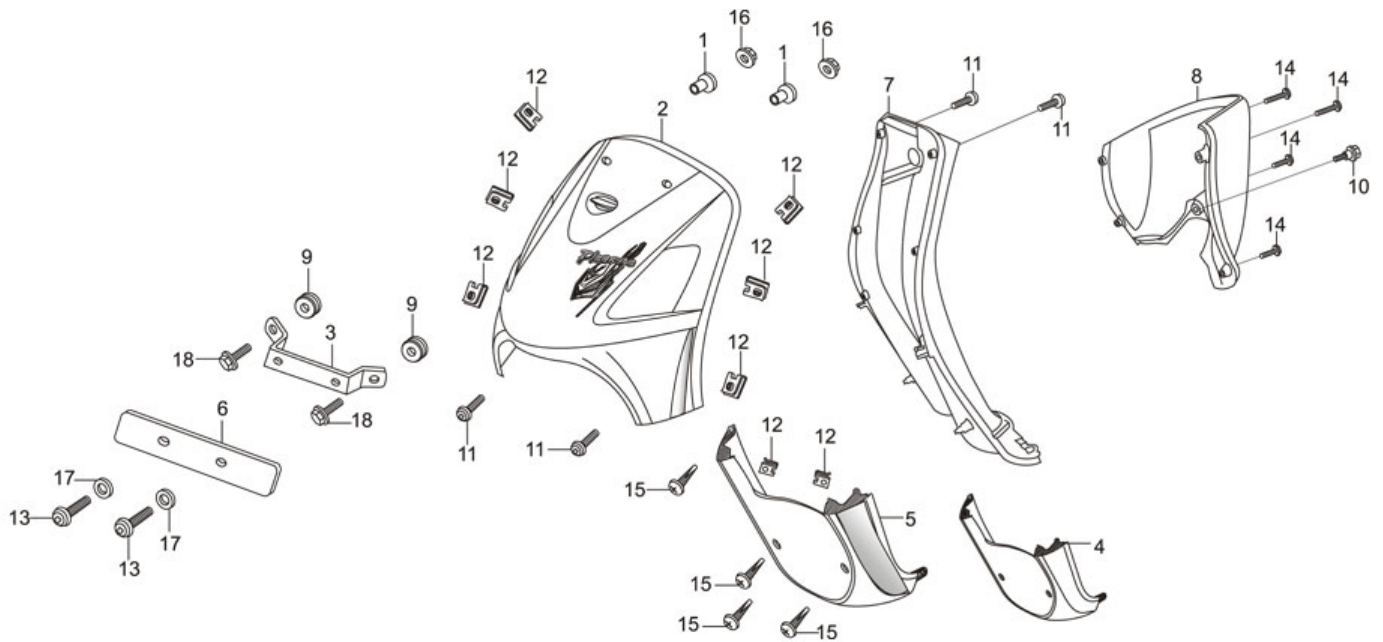


**FR.**

**Group Number:** F-6 Model :: Pleasure (July, 2012)

Ref No.	Part Number	Description	Req.
1	61104-428-000	COLLAR, FR, FENDER	2
2	64200-KTP-950ZA	SET, FR. UPPER COVER (BLACK-1)	1
	64200-KTP-950ZB	SET, FR. UPPER COVER (BLACK-2)	1
	64200-KTP-950ZC	SET, FR. UPPER COVER (CANDY BLAZING RED TYPE- 1) 1	1
	64200-KTP-950ZD	SET, FR. UPPER COVER (EBONY GRAY ME.)	1
	64200-KTP-950ZE	SET, FR. UPPER COVER (PEARL FADELESS WHITE)	1
	64200-KTP-950ZF	SET, FR. UPPER COVER (LIGHT PURPLE ME.)	1
	64200-KTP-950ZG	SET, FR. UPPER COVER (SPRING GREEN ME.)	1
	64200-KTP-950ZH	SET, FR. UPPER COVER (CANDY BLAZING RED TYPE-2)	1
	64200-KTP-950ZJ	SET, FR. UPPER COVER (DREAM ORANGE ME.)	1
3	64303-KTP-900	STAY, FR. NO. PLATE	1
4	64305-KTP-900ZC	COVER, FR., LOWER (CANDY BLAZING RED)	1
	64305-KTP-900ZJ	COVER FR. LOWER (BLACK-1)	1
	64305-KTP-950ZE	COVER FR. LOWER (PEARL FADELESS WHITE)	1
5	64350-KTP-950ZB	SET, FR LOWER COVER(BLACK,TYPE-2)	1
	64350-KTP-950ZD	SET, FR. LOWER COVER (EBONY GRAY ME.)	1
	64350-KTP-950ZF	SET, FR. LOWER COVER (LIGHT PURPLE ME.)	1
	64350-KTP-950ZG	SET, FR. LOWER COVER (SPRING GREEN ME.)	1
	64350-KTP-950ZH	SET, FR LOWER COVER(CBR,TYPE-2)	1
	64350-KTP-950ZJ	SET, FR. LOWER COVER (DREAM ORANGE ME.)	1
6	64310-198-D20A	PLATE, FRONT NUMBER	1
7	81131-KTP-900	COVER, INNER.	1
8	81132-KTP-900	RACK, INNER	1
9	84703-425-000	RUBBER TAIL LIGHT (MOUNT)	2

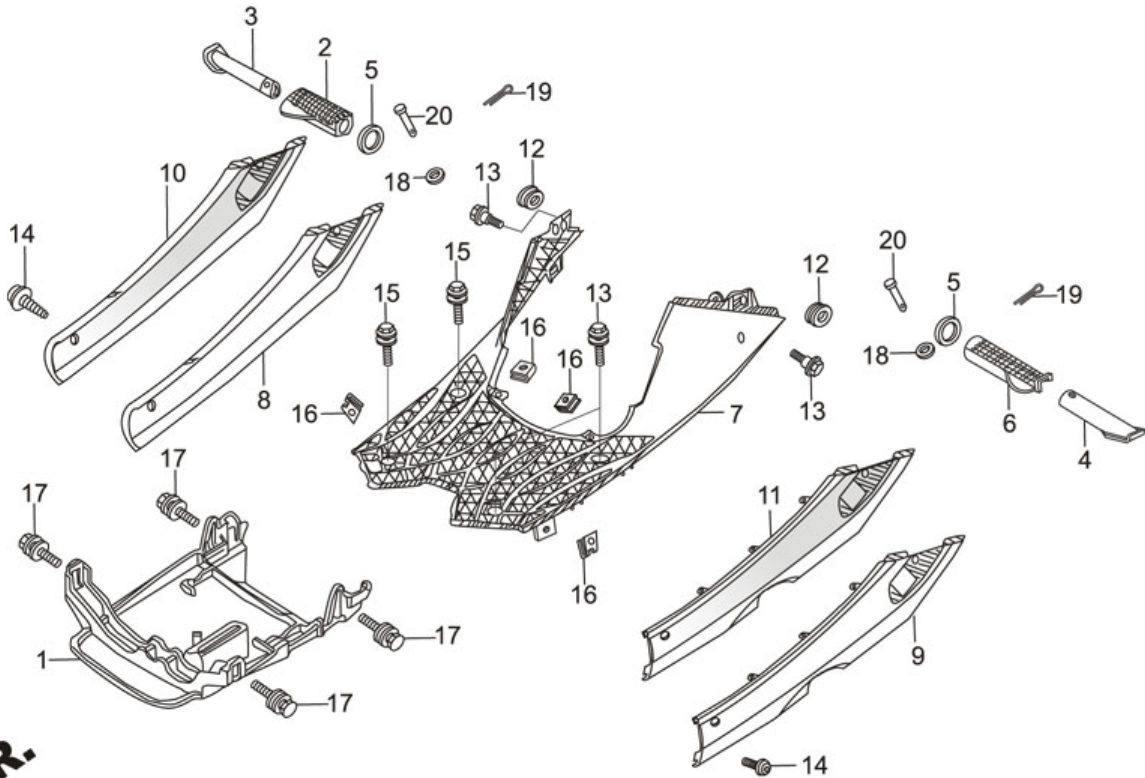
## F-6 : FR. & INNER COVER



**FR.**

10	90111-KPL-900	BOLT, INNER COVER	1
11	90116-KTP-900	SCREW WASH 5X16	4
12	90677-KAN-961	NUT CLIP 5MM	8
13	93500-05010-1A	SCREW, PAN, 5X10	2
14	93891-05028-07	SCREW, WASHER, 5 X 28	4
15	93903-34420	SCREW TAPPING 4X16	4
16	94050-06000	NUT, FLANGE, 6 MM	2
17	94101-05000	WASHER , PLAIN, 5MM	2
18	95701-06025-00	BOLT, FLANGE, 6X 25	2

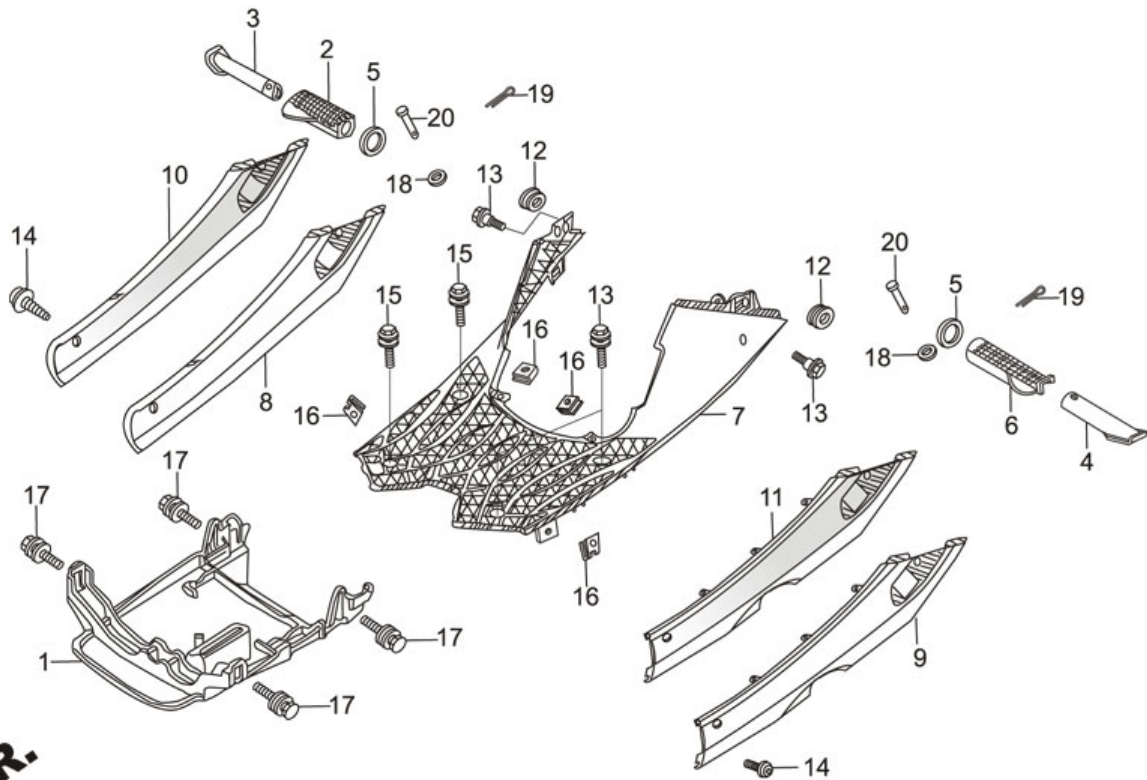
## F-7 : FLOOR PANEL



**Group Number:** F-7 Model :: Pleasure (July, 2012)

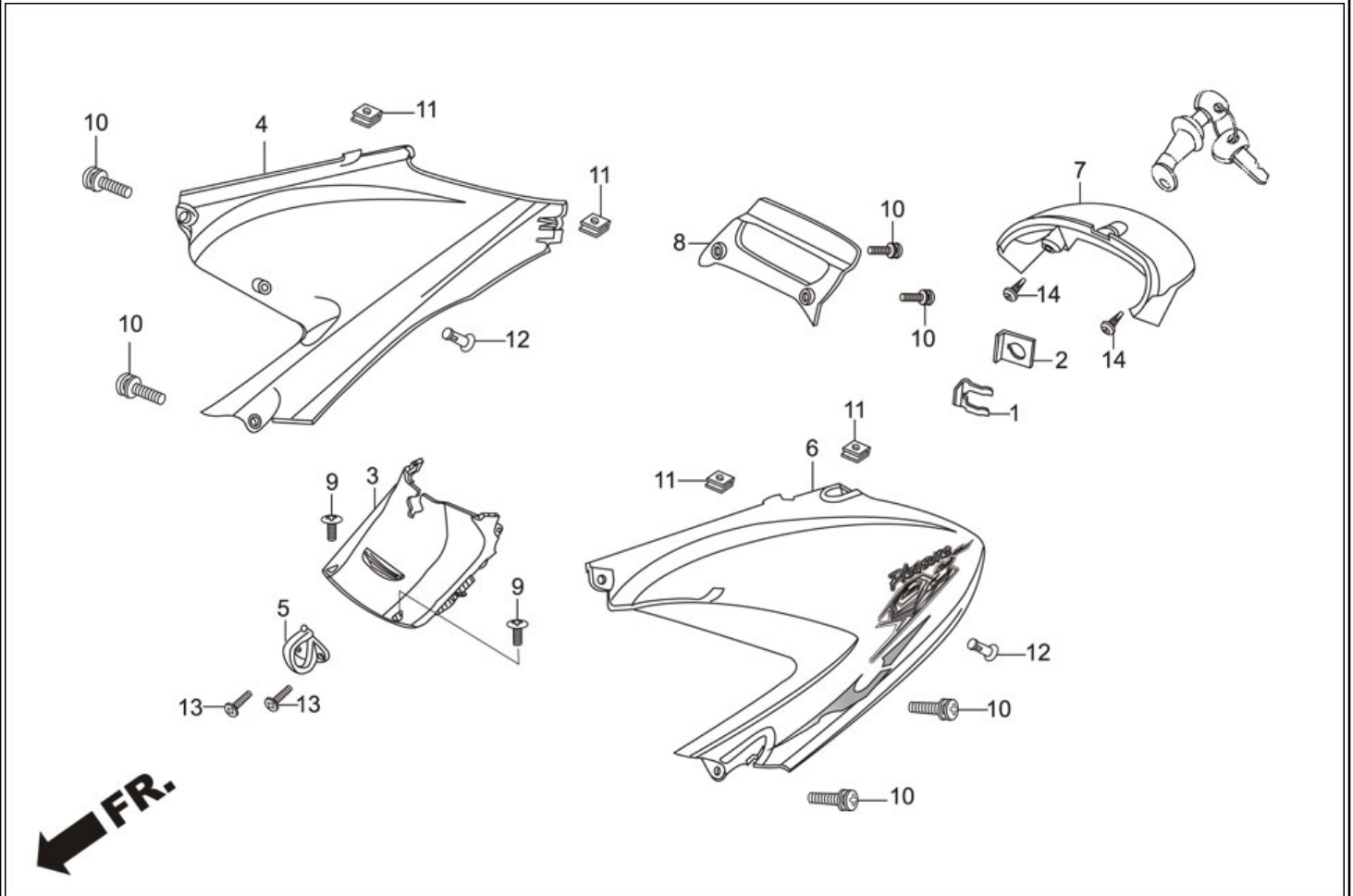
Ref No.	Part Number	Description	Req.
1	50621-KTP-900	COVER, UNDER	1
2	50710-KTP-900	RUBBER, R.P. STEP	1
3	50711-KTP-900	BAR, R. P. STEP	1
4	50712-KTP-900	BAR, L. P. STEP	1
5	50715-KE8-000	PLATE, P. STEP SIDE	2
6	50715-KTP-900	RUBBER, L.P. STEP	1
7	64310-KTP-900	PANEL, FLOOR	1
8	64320-KTP-900ZC	COVER, R. FLOOR SIDE (CANDY BLAZING RED)	1
	64320-KTP-900ZJ	COVER R FLOOR SIDE(BLK)	1
	64320-KTP-950ZE	COVER, R FLOOR SIDE (PEARL FADELESS WHITE)	1
9	64330-KTP-950ZA	COVER L FLOOR SIDE(BLACK)	1
	64330-KTP-950ZC	COVER, L. FLOOR SIDE (CANDY BLAZING RED)	1
	64330-KTP-950ZE	COVER, L. FLOOR SIDE (PEARL FADELESS WHITE)	1
10	64360-KTP-950ZB	SET, R FLOOR SIDE COVER(BLACK,TYPE-2)	1
	64360-KTP-950ZD	SET R. FLOOR SIDE COVER (EBONY GRAY ME.)	1
	64360-KTP-950ZF	SET R. FLOOR SIDE COVER (LIGHT PURPLE ME)	1
	64360-KTP-950ZG	SET R. FLOOR SIDE COVER (SPRING GREEN ME)	1
	64360-KTP-950ZH	SET, R FLOOR SIDE COVER(CBR,TYPE-2)	1
	64360-KTP-950ZJ	SET R. FLOOR SIDE COVER (DREAM ORANGE ME)	1
11	64370-KTP-950ZB	SET L. FLOOR SIDE COVER (BLACK TYPE-2)	1
	64370-KTP-950ZD	SET L. FLOOR SIDE COVER (EBONY GRAY ME)	1
	64370-KTP-950ZF	SET L. FLOOR SIDE COVER (LIGHT PURPLE ME)	1
	64370-KTP-950ZG	SET L. FLOOR SIDE COVER (SPRING GREEN ME)	1
	64370-KTP-950ZH	SET, L FLOOR SIDE COVER(CBR,TYPE-2)	1

## F-7 : FLOOR PANEL



	64370-KTP-950ZJ	SET L. FLOOR SIDE COVER (DREAM ORANGE ME)	1
12	83551-GE2-000	GROMMET, AIR CLENER CASE	2
13	90111-KPL-900	BOLT, INNER COVER	2
14	90116-KTP-900	SCREW WASH 5X16	2
15	90117-KTP-900	BOLT, WASHER, BF 6 X 25	4
16	90677-KAN-961	NUT CLIP 5MM	4
17	93404-06012-00	BOLT, WASHER, 6 X 12	4
18	94101-06000	WASHER, PLAIN, 6 MM	2
19	94201-16150	PIN, SPLIT, 1.6 X 15	2
20	95015-81000	PIN A PILLION STEP	2

## F-8 : BODY COVER

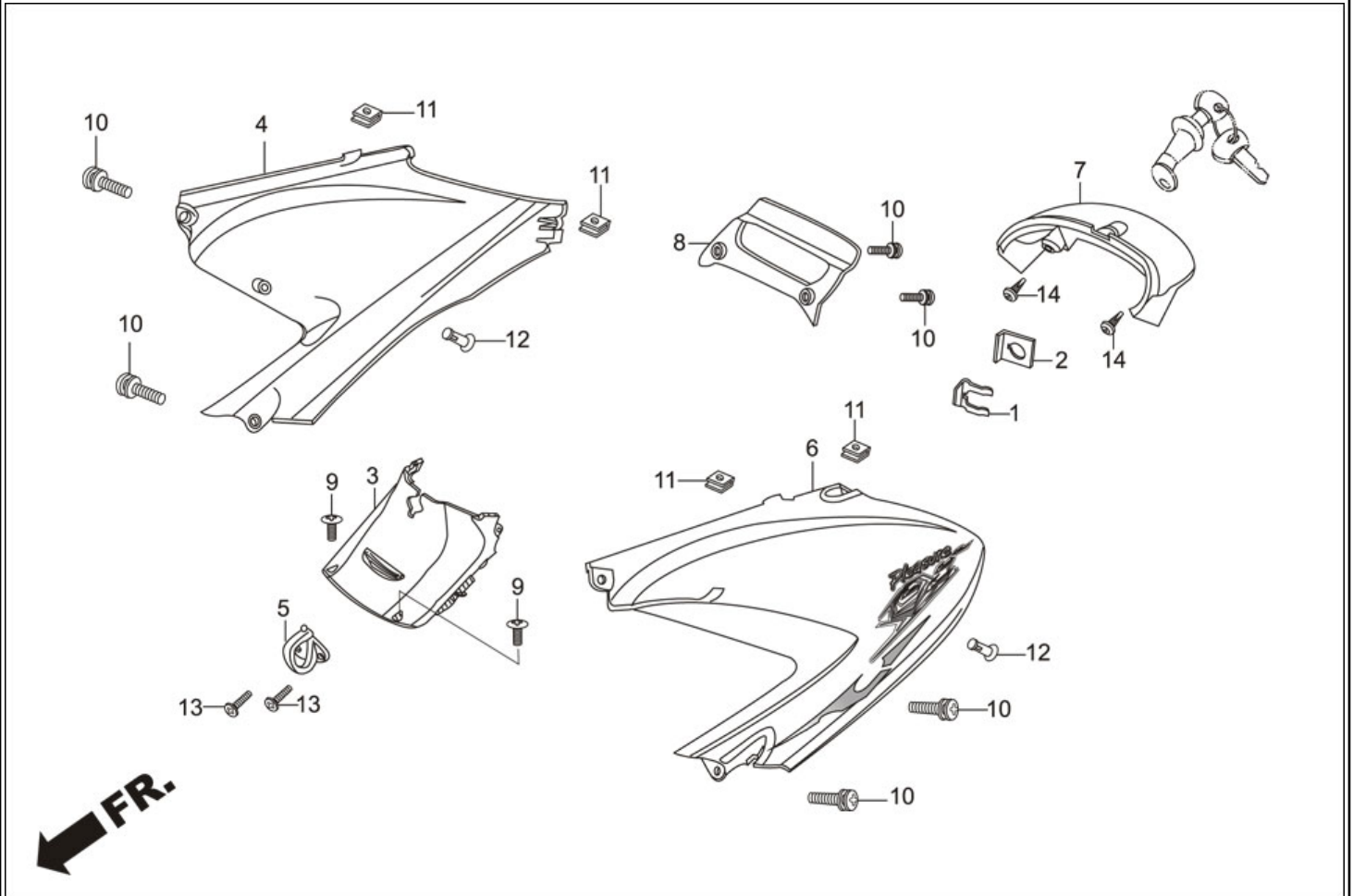


**Group Number:** F-8 Model :: Pleasure (July, 2012)

Ref No.	Part Number	Description	Req.
1	75582-KCW-870	SET SPG, LOCK KEY	1
2	77241-KRP-900	PLATE , SEAT LOCK	1
3	80151-KTP-900	COVER, CENTER.	1
4	83450-KTP-950ZA	SET, R BODY COVER(BLACK,TYPE-1)	1
	83450-KTP-950ZB	SET, R BODY COVER(BLACK,TYPE-2)	1
	83450-KTP-950ZC	SET, R. BODY COVER (CANDY BLAZING RED TYPE-1)	1
	83450-KTP-950ZD	SET, R. BODY COVER (EBONY GREY ME)	1
	83450-KTP-950ZE	SET, R. BODY COVER (PEARL FADELESS WHITE)	1
	83450-KTP-950ZF	SET, R. BODY COVER (LIGHT PURPLE ME)	1
	83450-KTP-950ZG	SET, R. BODY COVER (SPRING GREEN ME)	1
	83450-KTP-950ZH	SET, R. BODY COVER (CANDY BLAZING RED TYPE-2)	1
	83450-KTP-950ZJ	SET, R. BODY COVER (DREAM ORANGE ME)	1
5	83508-KPL-900	HOOK, LUGGAGE	1
6	83550-KTP-950ZA	SET, L BODY COVER(BLACK,TYPE-1)	1
	83550-KTP-950ZB	SET, L BODY COVER(BLACK,TYPE-2)	1
	83550-KTP-950ZC	SET, L. BODY COVER (CANDY BLAZING RED TYPE-1)	1
	83550-KTP-950ZD	SET, L. BODY COVER (EBONY GREY ME)	1
	83550-KTP-950ZE	SET, L. BODY COVER (PEARL FADELESS WHITE)	1
	83550-KTP-950ZF	SET, L. BODY COVER (LIGHT PURPLE ME)	1
	83550-KTP-950ZG	SET, L. BODY COVER (SPRING GREEN ME)	1
	83550-KTP-950ZH	SET, L. BODY COVER (CANDY BLAZING RED TYPE-2)	1
	83550-KTP-950ZJ	SET, L. BODY COVER (DREAM ORANGE ME)	1
7	83701-KTP-900	COVER, RR. CENTER	1
8	83702-KTP-950ZE	COVER, RR. CENTER, LOWER (PEARL FADELESS WHITE)	1

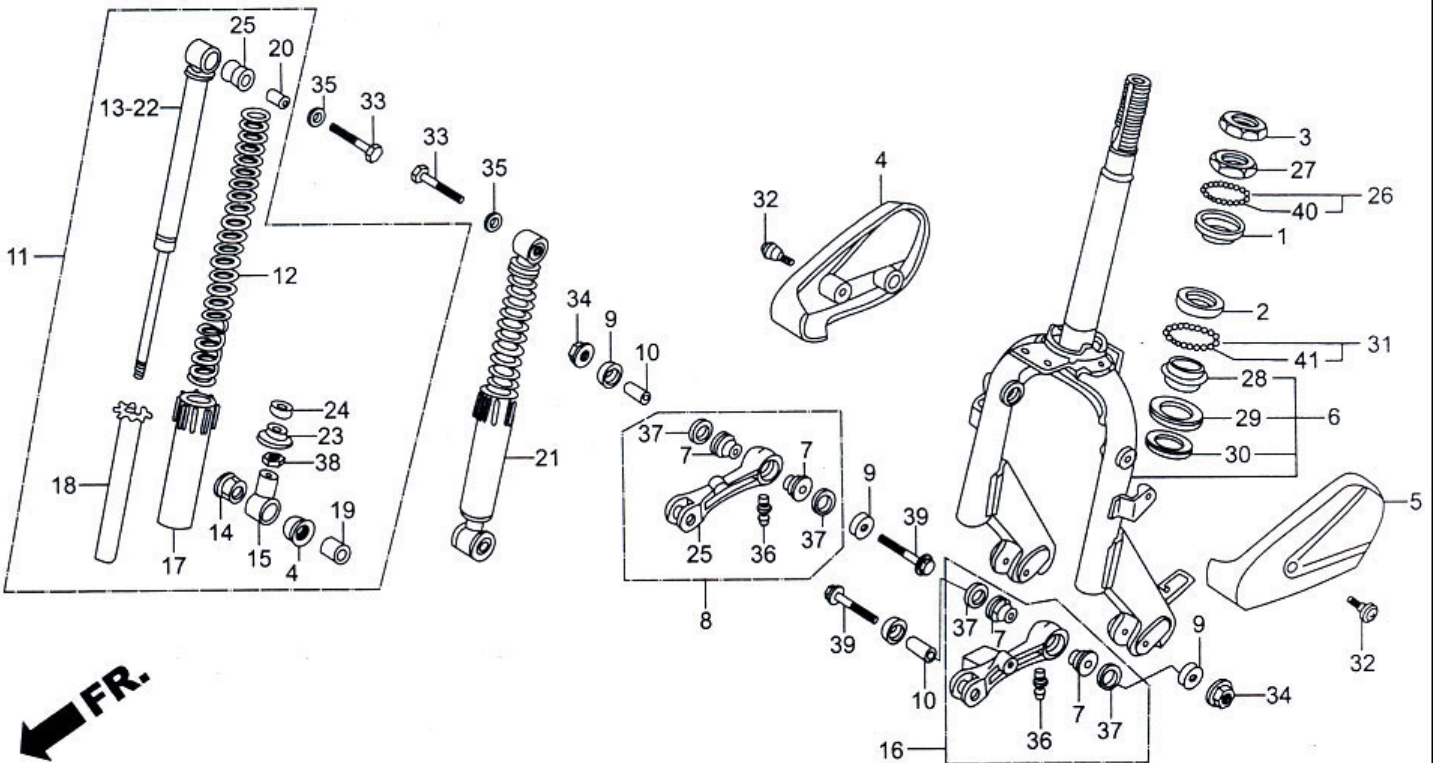


## F-8 : BODY COVER



	83702-KTP-H00ZA	COVER, RR.CENTER LWR(FSM)	1
	83702-KTP-900ZC	COVER, RR. CENTER, LOWER (CANDY BLAZING RED)	1
	83702-KTP-900ZE	COVER, RR. CENTER, LOWER (EBONY GREY ME)	1
	83702-KTP-900ZF	COVER, RR. CENTER, LOWER (DREAM ORANGE ME.)	1
	83702-KTP-900ZG	COVER, RR. CENTER, LOWER (SPRING GREEN ME.)	1
	83702-KTP-900ZH	COVER, RR. CENTER, LOWER (LIGHT PURPLE ME.)	1
9	90109-SB6-000	SCREW, TRUSS, 5X14	2
10	90116-KTP-900	SCREW WASH 5X16	6
11	90677-KAN-961	NUT CLIP 5MM	4
12	90683-GAZ-930	CLIP TRIM	2
13	93600-05016-0G	SCREW FLAT 5X16	2
14	93903-34420	SCREW TAPPING 4X16	2

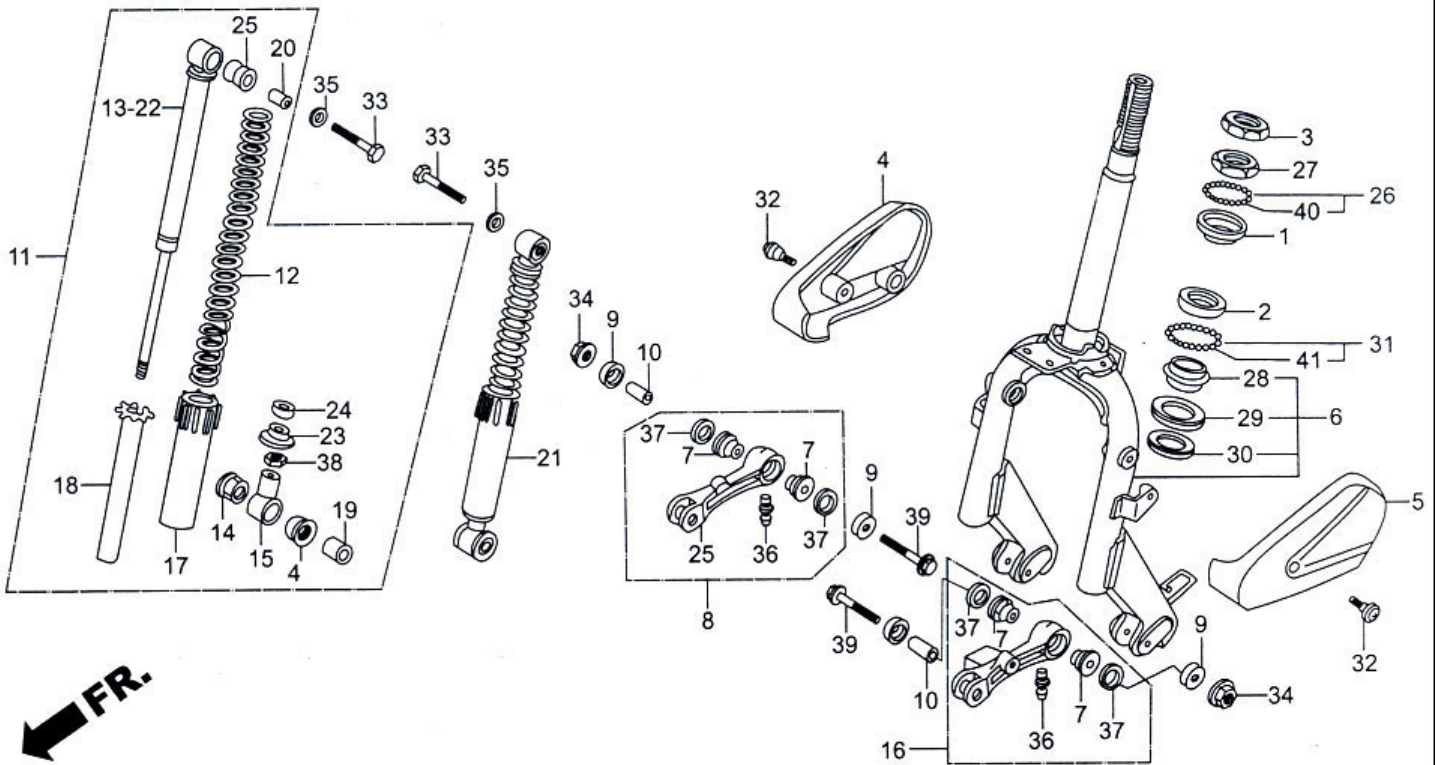
## F-9 : STRG. STEM / FR. FORK



**Group Number:** F-9 Model :: Pleasure (July, 2012)

Ref No.	Part Number	Description	Req.
1	50301-KEM-900	RACE, UP STRG., BALL	1
2	50302-KPL-900	RACE, STRG., BOTTOM BALL	1
3	50306-KPL-900	NUT, STRG. STEM, LOCK	1
4	51103-KTP-900	COVER, R. PIVOT ARM	1
5	51104-KTP-900	COVER, L. PIVOT ARM	1
6	51105-AAL-100	FORK COMPLETE FR.	1
7	51314-KPL-900	BUSH, PIVOT ARM	4
8	51315-KPL-900	PIVOT ARM, SET R	1
9	51316-KPL-900	CAP, FR. DISTANCE COLLAR	4
10	51334-KPL-900	COLLAR, ARM, PIVOT	2
11	51400-KRP-982	CUSHION ASSY., R. FR	1
12	51401-KRP-981	SPRING,FR., CUSHION	2
13	51410-KRP-981	DAMPER COMP., R FRONT	1
14	51413-GC8-003	BUSH, FR. CUSHION UNDER	4
15	51414-GC8-003	METAL,COMP., BOTTOM	2
16	51415-KPL-900	PIVOT ARM, SET L	1
17	51421-KRP-981	CASE, FR. CUSHION, UNDER	2
18	51458-GC8-003	GUIDE, FR. CUSHION,SPRING	2
19	51486-GC8-003	COLLAR, RUBBER, BUSH	2
20	51486-KRP-981	COLLAR, FR. CUSHION, RUBBER BUSH	2
21	51500-KRP-982	CUSHION ASSY., L. FR	1
22	51510-KRP-981	DAMPER, COMP., L. FR	1
23	51516-GC8-003	SEAT, SPRING, UNDER	2
24	52475-KRP-981	RUBBER, STOPPER	2

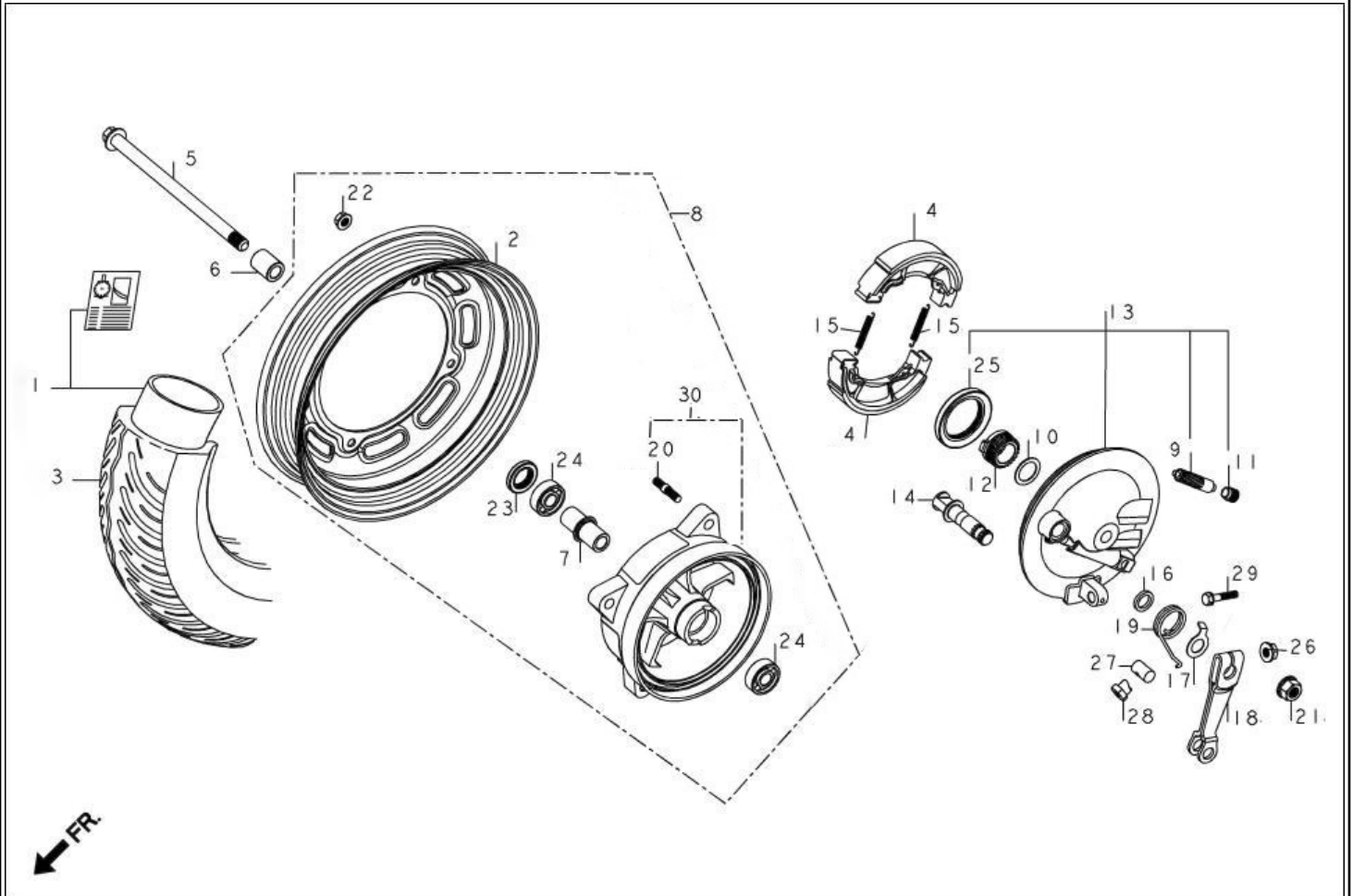
## F-9 : STRG. STEM / FR. FORK



25	52489-331-003	RUBBER, A JOINT	2
26	53210-KTP-900	BALL, ASSY, STRG.	1
27	53211-KEM-900	RACE, STRG. TOP CONE	1
28	53212-250-010	RACE, STRG. BOTTOM CONE	1
29	53214-250-000	DUST, SEAL STRG. (HEAD)	1
30	53215-KPL-900	WASHER, STRG. HEAD DUST SEAL	1
31	53215-KTP-900	BALL ASSY, STRG.	1
32	90101-087-720	SCREW, HEAD LIGHT SET	2
33	90121-KTP-900	BOLT, HEX, 8 X 32	2
34	90309-KF0-000	NUT, FLANGE, 8 MM	2
35	90443-KPL-900	WASHER, SPECIAL, 8MM	2
36	90901-KPL-900	NIPPLE, GREASE, A-M6	2
37	91351-KPL-900	O-RING, 22.1 X 1.9	4
38	94101-08000-0S	NUT, HEX, 8MM	2
39	95801-08055-08	BOLT, FLANGE, 8 X 55	2
40	96211-05000	BALL, STEEL #5	22
41	96211-08000	BALL STEEL 8 MM	17



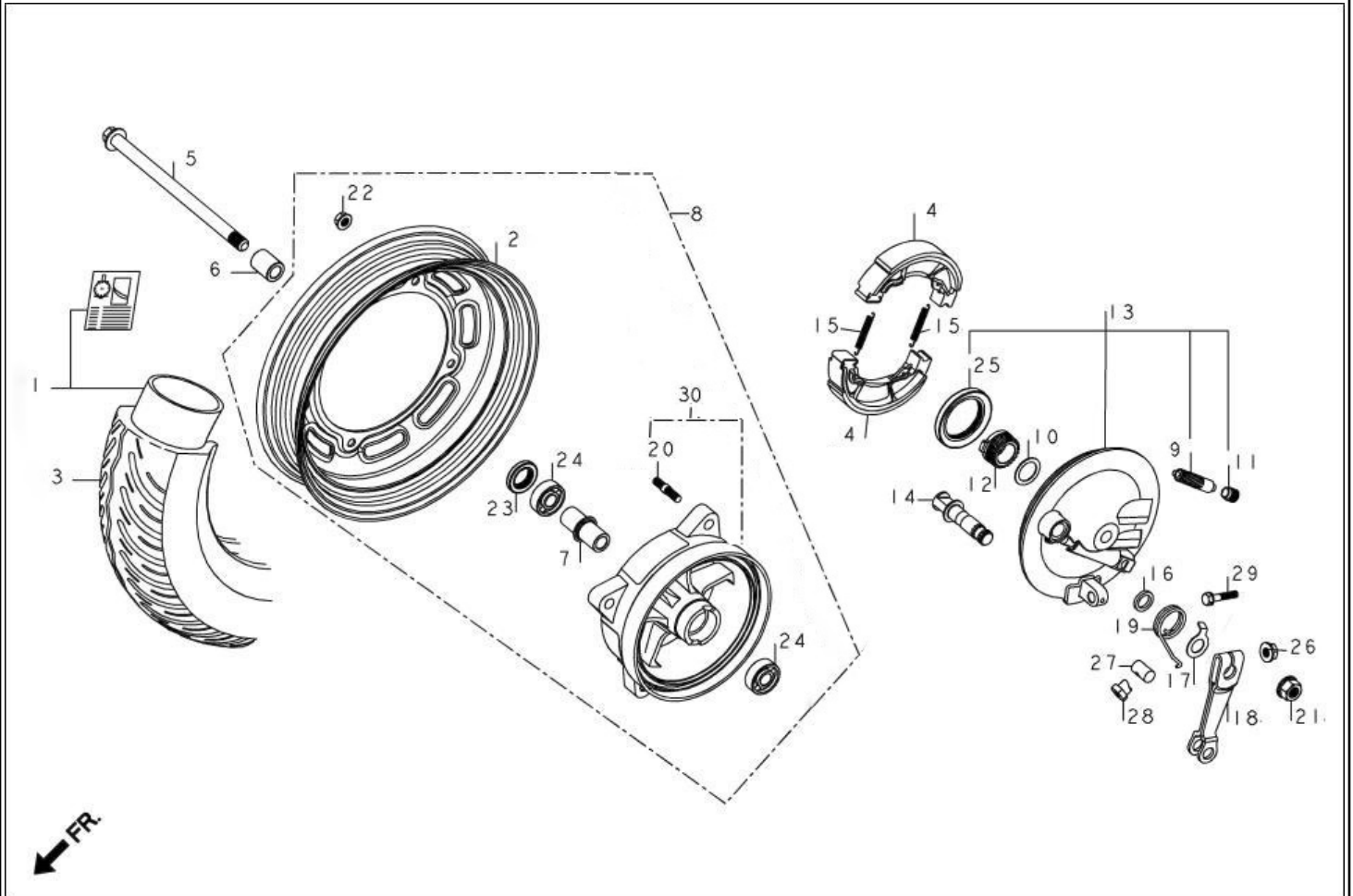
## F-10 : FRONT WHEEL



**Group Number:** F-10 Model :: Pleasure (July, 2012)

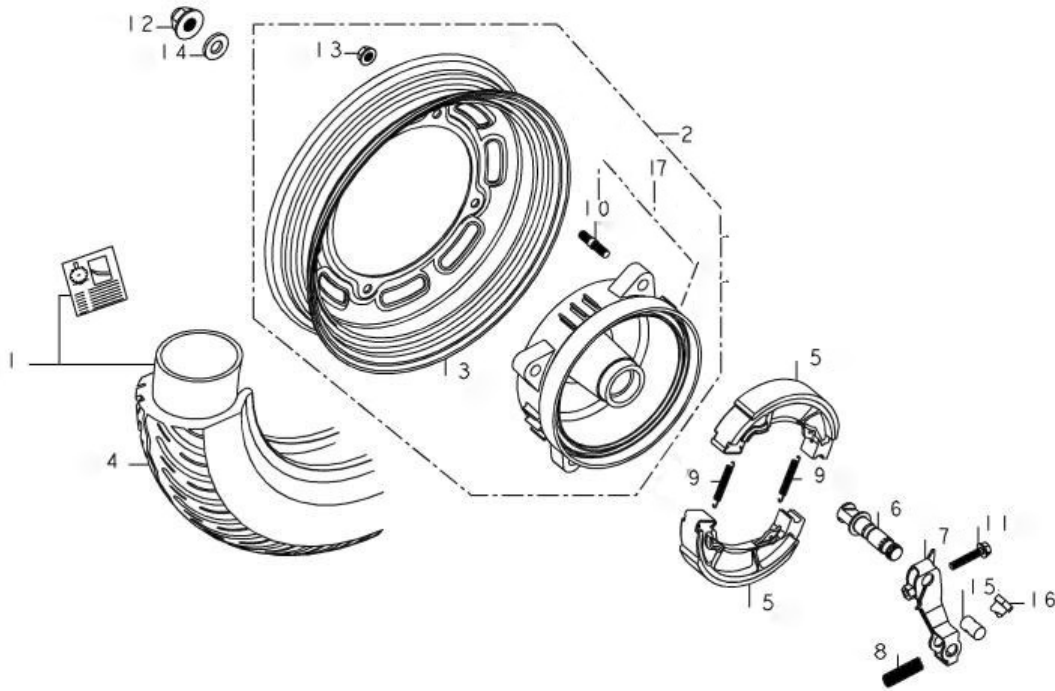
Ref No.	Part Number	Description	Req.
1	06427-KTP-900	TUBE, SET (3.5-10)	1
2	42702-KPL-900	RIM COMP., WHEEL	1
3	42711-KRP-901	TYRE (3-5-10 51J)	1
4	45125-AAH-F0099	SHOE COMP BRAKE	2
5	44301-KPL-900	AXLE, FRONT WHEEL	1
6	44311-KPL-900	COLLAR, FR. WHEEL SIDE	1
7	44620-KTP-900	COLLAR, FR. WHEEL DISTANCE	1
8	44650-KTP-900	WHEEL SUBASSY., FRONT	1
9	44805-KTP-900	PINION, SPDMT	1
10	44809-170-000	WASHER, SPEEDOMETER GEAR	1
11	44810-KTC-900	BUSH, PINION	1
12	44811-KPL-900	GEAR, SPDMT	1
13	45010-KTP-901	PANEL SUB.COMP.FR.BRAKE	1
14	45141-KTP-900	CAM, FRONT BRAKE	1
15	45133-KCC-900	SPRING, FR. BRAKE SHOE	2
16	45134-250-000	DUST SEAL, BRAKE CAM	1
17	45145-KPL-900	INDICATOR, FRONT BRAKE	1
18	45410-KPL-900	ARM, FRONT BRAKE	1
19	45435-GB2-720	SPRING, BRAKE ARM RETURN	1
20	90110-KPL-900	BOLT, STUD, 8X22	4
21	90306-KF0-000	NUT, FLANGE, 12 MM	1
22	90309-KF0-000	NUT, FLANGE, 8 MM	4
23	90754-KPL-900	SEAL, DUST 20 X 32 X 5	1
24	90912-KPL-900	BEARING BALL RADIAL 6201(U)	2

## F-10 : FRONT WHEEL



25	91253-KPL-900	DUST SEAL , 41 X60 X7	1
26	94050-06000	NUT, FLANGE, 6 MM	1
27	95015-32001	JOINT B BRAKE ARM	1
28	95015-42000	NUT B ADJUST	1
29	95701-06032-00	BOLT, FLANGE, 6 X 32	1
30	44610-KTP-900	HUB SUB COMP. FR	1

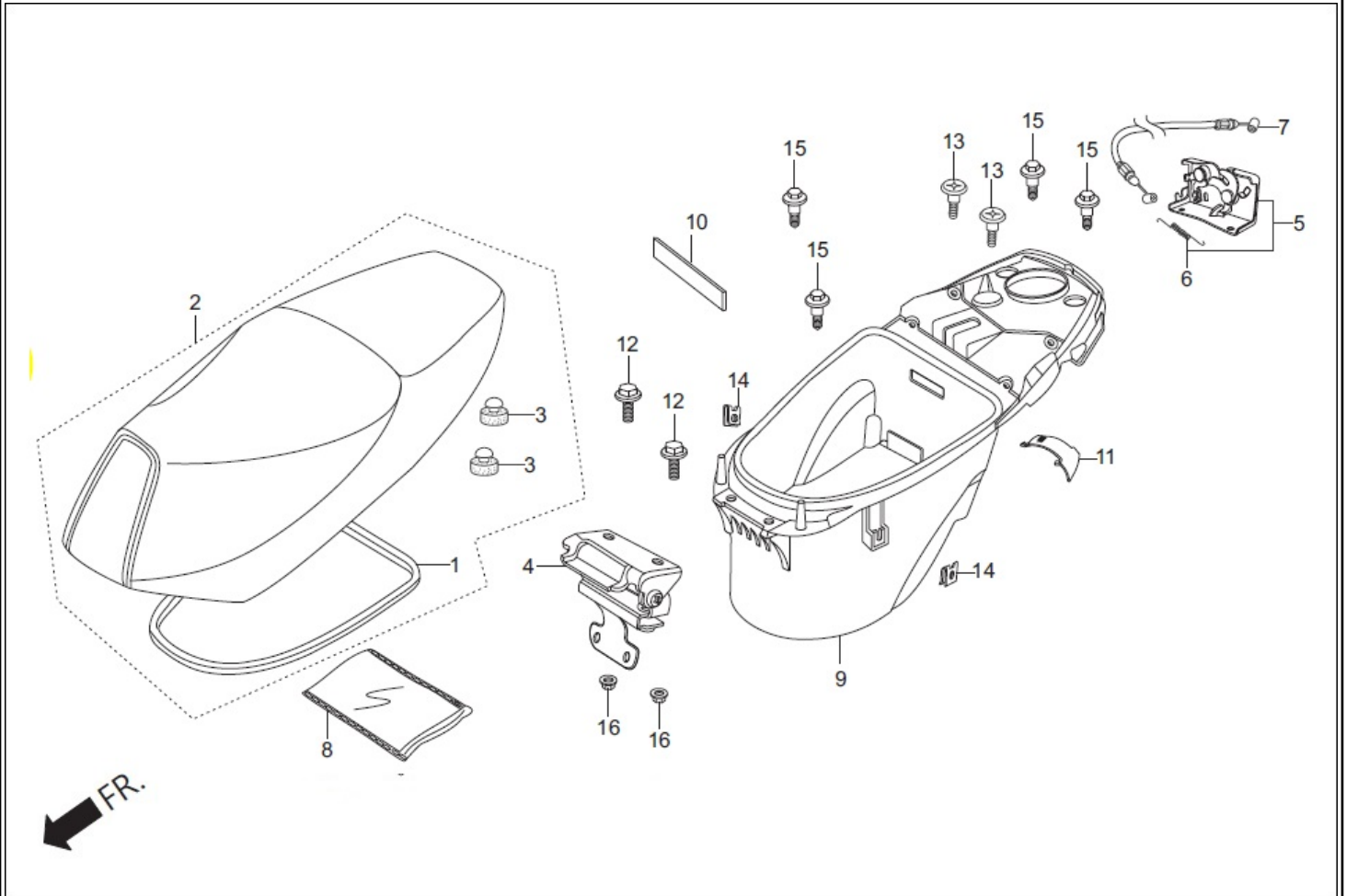
## F-11 : REAR WHEEL



**Group Number:** F-11 Model :: Pleasure (July, 2012)

Ref No.	Part Number	Description	Req.
1	06427-KTP-900	TUBE, SET (3.5-10)	1
2	42650-KPL-900	WHEEL SUB ASSY., FRONT	1
3	42702-KPL-900	RIM COMP., WHEEL	1
4	42711-KRP-901	TYRE (3-5-10 51J)	1
5	45125-AAH-F0099	SHOE COMP BRAKE	2
6	43141-KTP-900	CAM, REAR BRAKE	1
7	43410-KPL-840	ARM, REAR BRAKE	1
8	43472-KPL-900	SPRING, REAR, BRAKE ARM	1
9	45133-KCC-900	SPRING, FR. BRAKE SHOE	2
10	90110-KPL-900	BOLT, STUD, 8X22	4
11	90112-KTP-900	BOLT, FLANGE, 6X32	1
12	90305-KPL-900	NUT, HEX, SPL., 16MM	1
13	90309-KF0-000	NUT, FLANGE, 8 MM	4
14	90501-KPL-900	WASHER, 16 MM	1
15	95015-32001	JOINT B BRAKE ARM	1
16	95015-42000	NUT B ADJUST	1
17	42610-KPL-900	HUB SUB COMP. RR	1

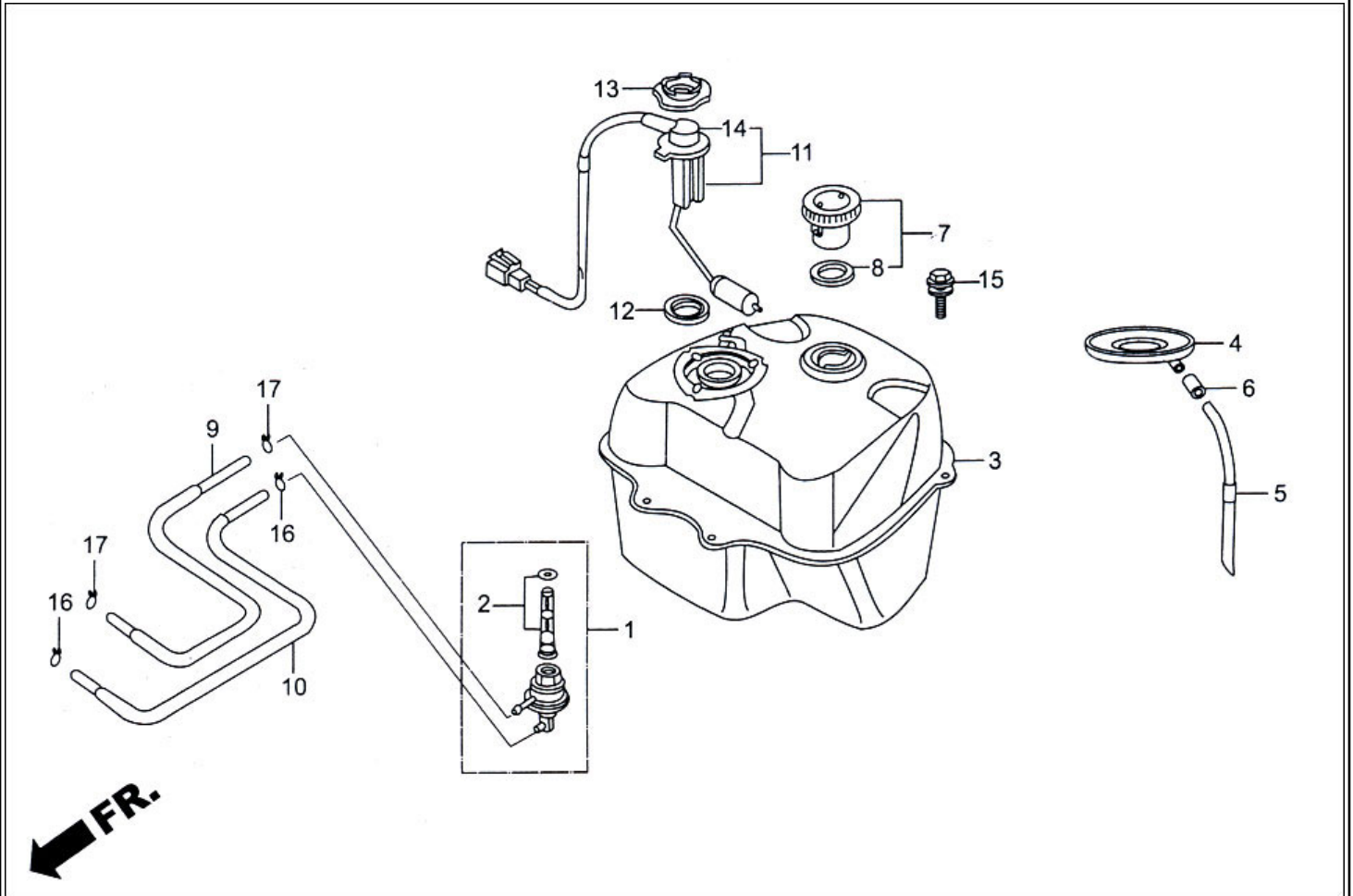
## F-12 : SEAT / LUGGAGE BOX



**Group Number:** F-12 Model :: Pleasure (July, 2012)

Ref No.	Part Number	Description	Req.
1	77115-KTP-900	RUBBER SEAL	1
2	77200-AAL-H00	SEAT COMP DOUBLE	1
3	77206-KG8-900	RUBBER, SEAT SETTING	2
4	77210-KTP-900	HINGE ASSY, SEAT	1
5	77235-KPL-900	RUBBER SEAL	1
6	77236-GBL-000	SPRING SEAT CATCH	1
7	77240-KTP-900	CABLE SEAT LOCK	1
8	77251-KPL-900	BAG, SERVICE BOOK	1
9	81250-KTP-900	BOX LUGGAGE	1
10	81252-KTP-900	COVER , FRAME NUMBER	1
11	81255-KTP-900	COVER, CARBURETTOR MAITENANCE	1
12	90112-KRP-900	BOLT, FLANGE, 6X18	2
13	90116-KTP-900	SCREW WASH 5X16	2
14	90677-KAN-961	NUT CLIP 5MM	2
15	93404-06012-00	BOLT, WASHER, 6 X 12	4
16	94050-06000	NUT, FLANGE, 6 MM	2

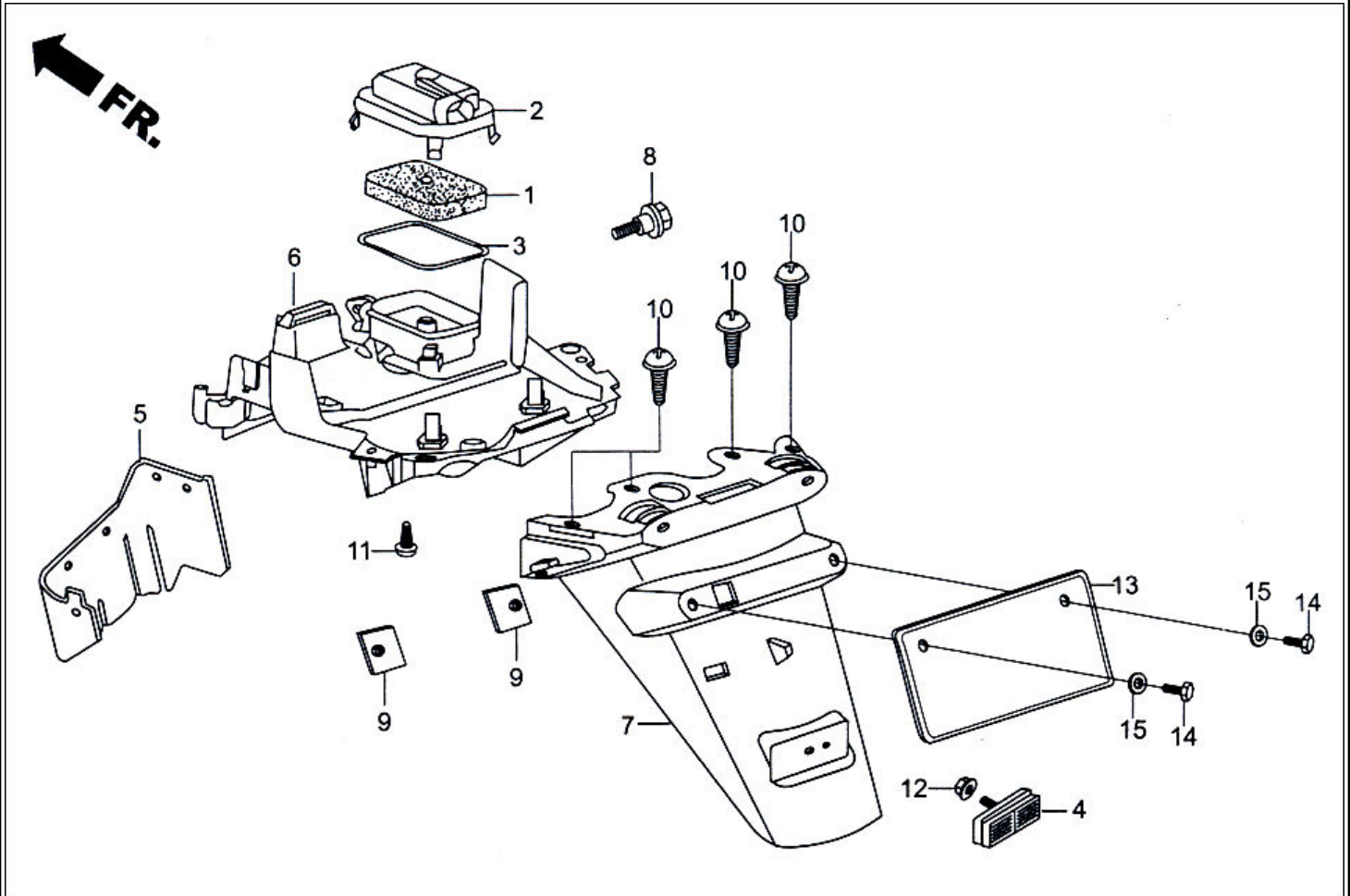
## F-13 : FUEL TANK



**Group Number:** F-13 Model :: Pleasure (July, 2012)

Ref No.	Part Number	Description	Req.
1	16950-KRP-980	COCK ASSY.FUEL	1
2	16952-KRP-980	SET, FUEL STRAINER SCREAN	1
3	17500-AAL-H00	TANK COMP., FUEL	1
4	17505-KTP-900	TRAY FUEL	1
5	17515-KTP-900	V.TUBE 8X12X460	1
6	17525-KTP-900	JOINT FUEL TUBE	1
7	17620-KRP-980	CAP COMP, FUEL FILLER	1
8	17632-383-831	PACKING , FUEL FILLTER CAP	1
9	17683-KPL-900	TUBE COMP, FUEL	1
10	17684-KPL-840	TUBE COMP, VACUUM	1
11	37080-KTP-890	UNIT, SET, FUEL	1
12	37801-GA7-700	PACKING, BASE	1
13	37802-GA7-700	RETAINER FUEL UNIT	1
14	37805-KG8-000	COVER, FUEL UNIT	1
15	93404-06012-08	BOLT, WASHER, 6 X 12	4
16	95002-02070	CLIP, B-7 TUBE	2
17	95002-02080	CLIP, TUBE	2

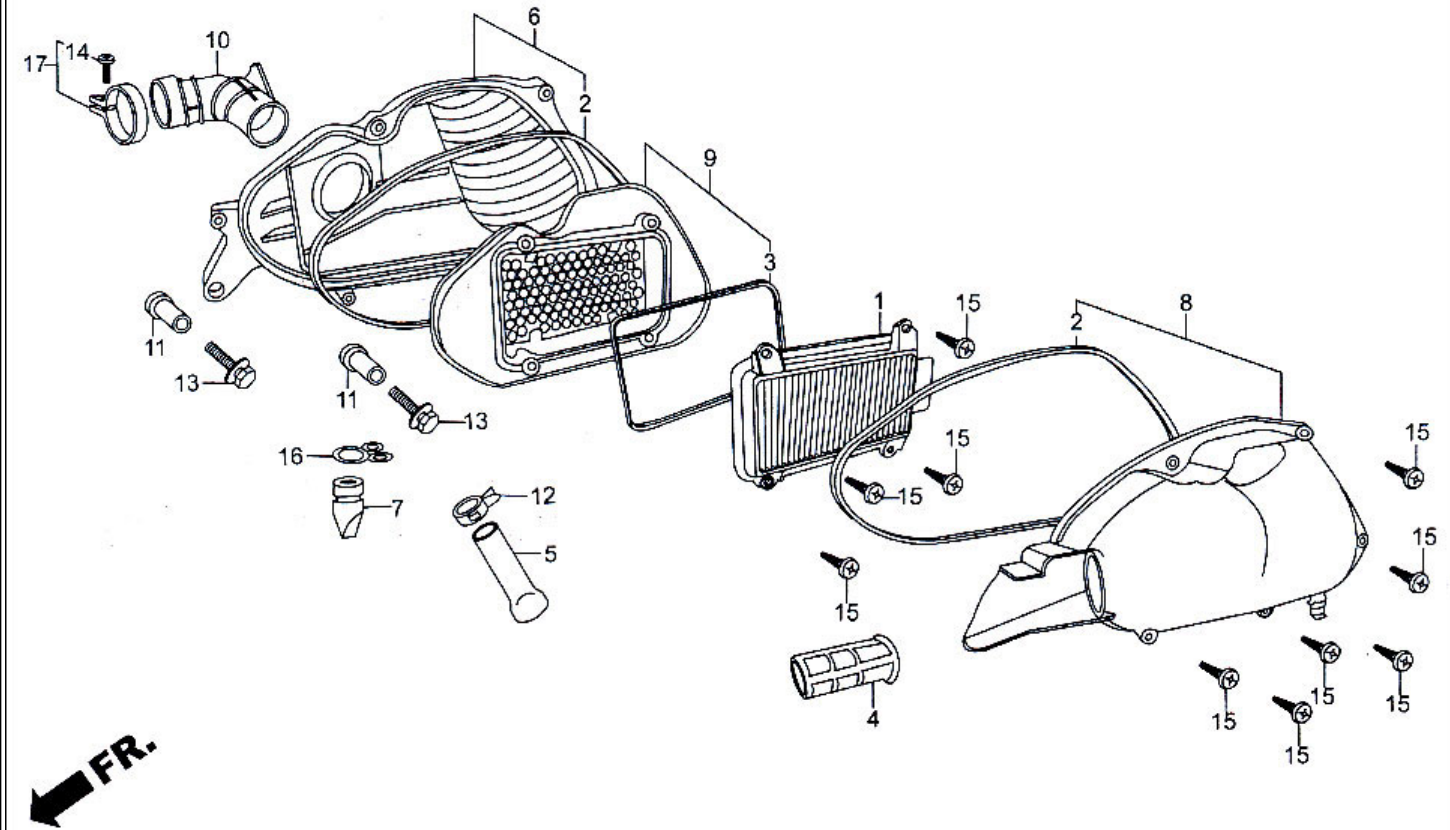
## F-14 : REAR FENDER



**Group Number:** F-14 Model :: Pleasure (July, 2012)

Ref No.	Part Number	Description	Req.
1	18805-KPL-900	ELEMENT, SUB AIR CLEANER	1
2	18807-KPL-900	COVER, SUB AIR CLEANER	1
3	18812-KPL-900	SEAL, SUB AIR CLEANER	1
4	33741-KST-920	REFLEX REFLECTOR	1
5	80104-KTP-900	PLATE, RR. FENDER SP	1
6	80105-KTP-900	FENDER, RR. UPPER	1
7	80106-KTP-900	FENDER, RR. LOWER	1
13	84701-P26-D00A	NUMBER, PLATE REAR	1
8	90111-KPL-900	BOLT, INNER COVER	1
9	90301-KTP-900	NUT, RR. NO. PLATE	2
14	92000-06016-0A	BOLT, HEX., 6 X 16	2
10	93903-24480	SCREW, TAPPING, 4X16	4
11	93903-25480	SCREW TAPPING 5X20	1
12	94050-06000	NUT, FLANGE, 6 MM	1
15	94101-06000	WASHER, PLAIN, 6 MM	2

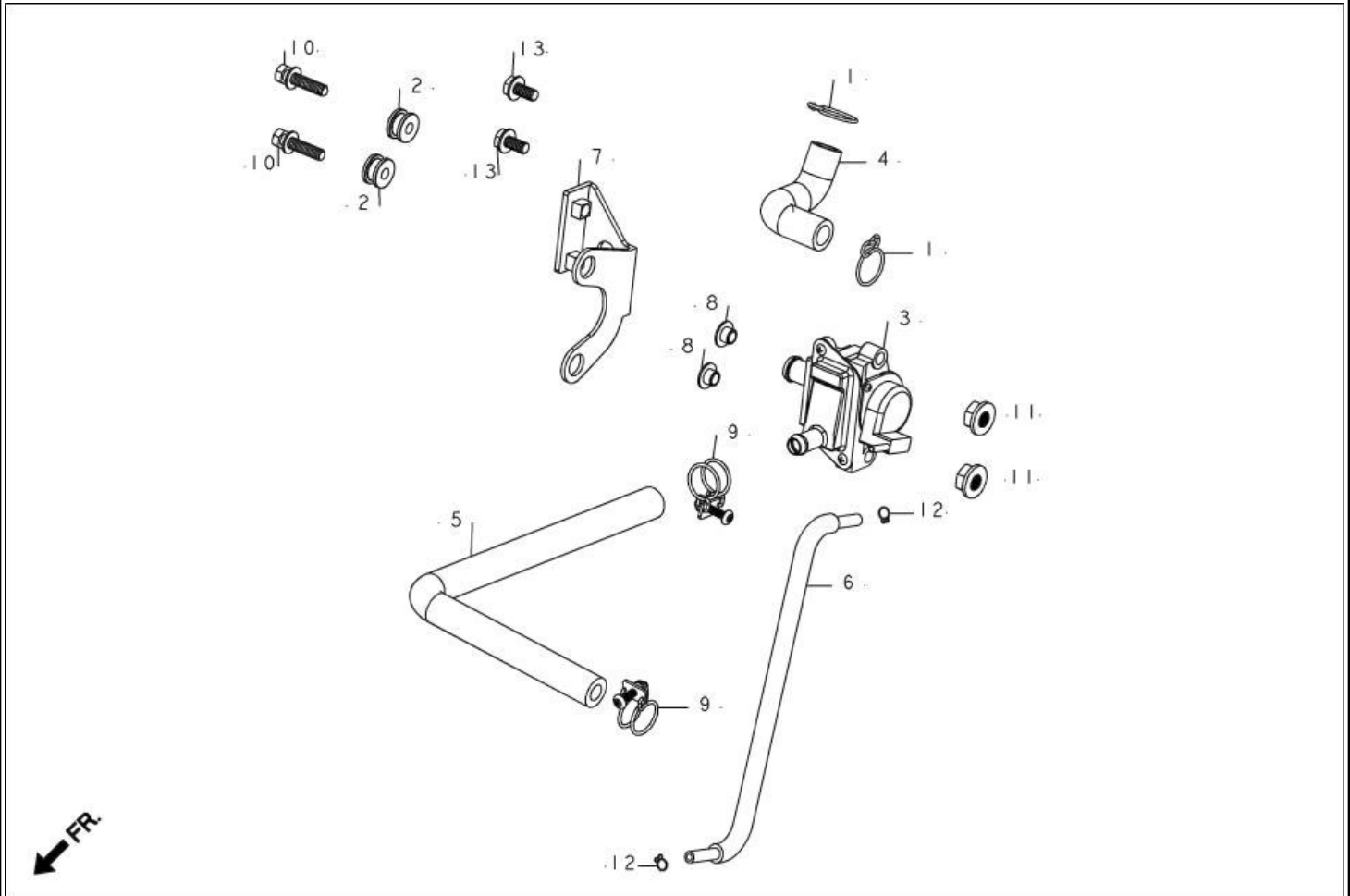
## F-15 : AIR CLEANER



**Group Number:** F-15 Model :: Pleasure (July, 2012)

Ref No.	Part Number	Description	Req.
1	17210-AAW-300	ELEMENT COMP AIR/C	1
2	17212-KTP-900	SEAL, AIR CLEANER COVER	2
3	17213-KTP-900	SEAL, AIR/C ELEMENT	1
4	17215-KRP-980	DUCT, AIR CLEANER	1
5	17216-KTP-900	TUBE, DRAIN	1
6	17225-KTP-900H	CASE SUB ASSY. AIR/C	1
7	17234-KCC-940	TUBE AIR CLEANER DRAIN	1
8	17235-KTP-900	COVER SUB ASSY., AIR/C	1
9	17245-KTP-900	HOLDER SUB ASSY., AIR/C.	1
10	17253-KTP-900	TUBE AIR/C CONN.	1
11	50731-KV3-770	COLLAR, PILLION STEP SET	2
12	90602-KPL-900	CLAMP, D12 TUBE	1
13	93404-06040-07	BOLT, WASH, 6 X 40	2
14	93500-04025-0G	SCREW, PAN, 4X25	1
15	93903-25480	SCREW TAPPING 5X20	10
16	95002-02130	CLIP B 12.5 TUBE	1
17	95018-40250	BAND 46, AIR/C CONN. TUBE	1

## F-15A : AIR SUCTION VALVE

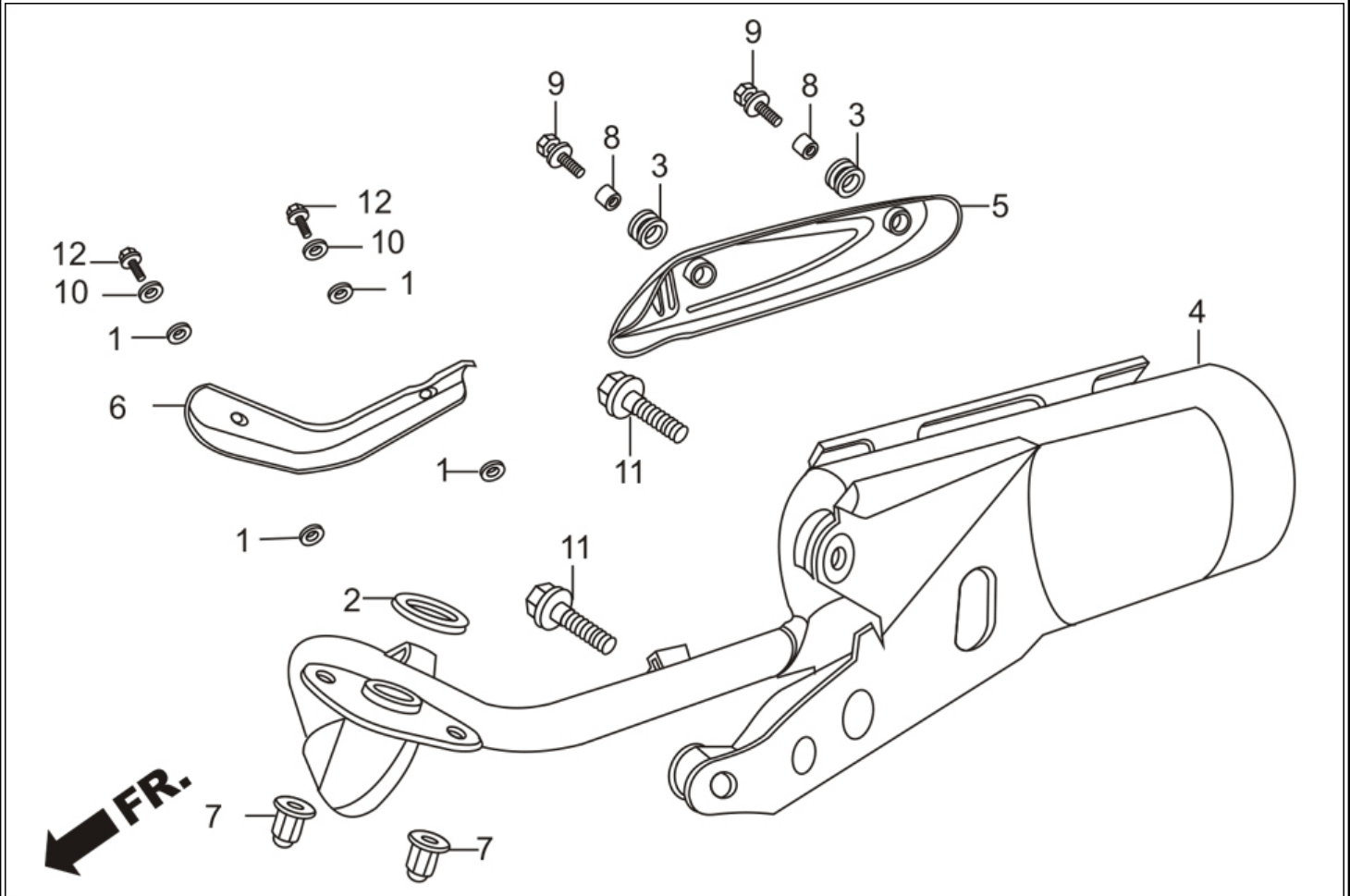


**Group Number:** F-15A Model :: Pleasure (July, 2012)

Ref No.	Part Number	Description	Req.
1	17316-611-000	CLIP, BREATHER TUBE	2
2	17622-GB7-900	RUBBER, CUSHION	2
3	18600-KPL-841	VALVE ASSY., AIR SUCTION	1
4	18651-KPL-840	TUBE, AIR SUCTION VALVE	1
5	18652-KPL-840	HOSE, AIR SUCTION VALVE	1
6	18653-KPL-840	TUBE, ASV, VACCUM	1
7	50142-KPL-840	STAY, USV	1
8	90501-KC2-750	WASHER, REGULATOR SETTING	2
9	91462-KM7-910	CLIP, TUBE	2
10	93404-06030-08	BOLT WASH 6X30	2
11	94050-06000	NUT, FLANGE, 6 MM	2
12	95002-02070	CLIP, B-7 TUBE	2
13	95701-06012-00	BOLT, FLANGE, 6X12	2



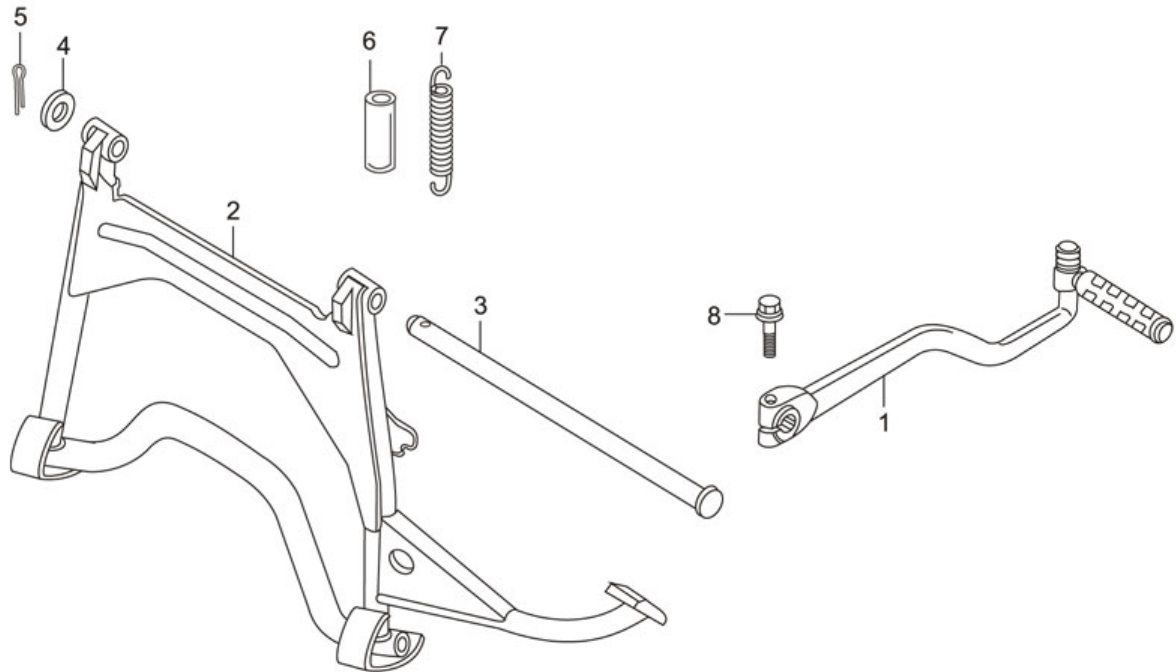
## F-16 : EXHAUST MUFFLER



**Group Number:** F-16 Model :: Pleasure (July, 2012)

Ref No.	Part Number	Description	Req.
1	18292-KTP-900	PACKING, PROTECTOR	4
2	18292-GY1-610	GASKET, EXH.PIPE	1
3	18293-KTP-900	RUBBER, PKG, PROTECTOR	2
4	18300-AAL-H00	MUFFLER COMP EXH	1
5	18318-KTP-950	PROTECTOR, MUFFLER	1
6	18319-KRP-900	PROTECTOR, EXE PIPE	1
7	90308-KPL-840	NUT, CAP, 6 MM	2
8	90312-KTP-900	COLLAR, M6	2
9	93404-06016-07	BOLT-WASHER, 6 X 16	2
10	94101-06700	WASHER, PLAIN, 6 MM	2
11	95801-10040-07	BOLT FLANGE, 10 X 40	2
12	96001-06010-07	BOLT FLANGE, SH., 6 X 10	2

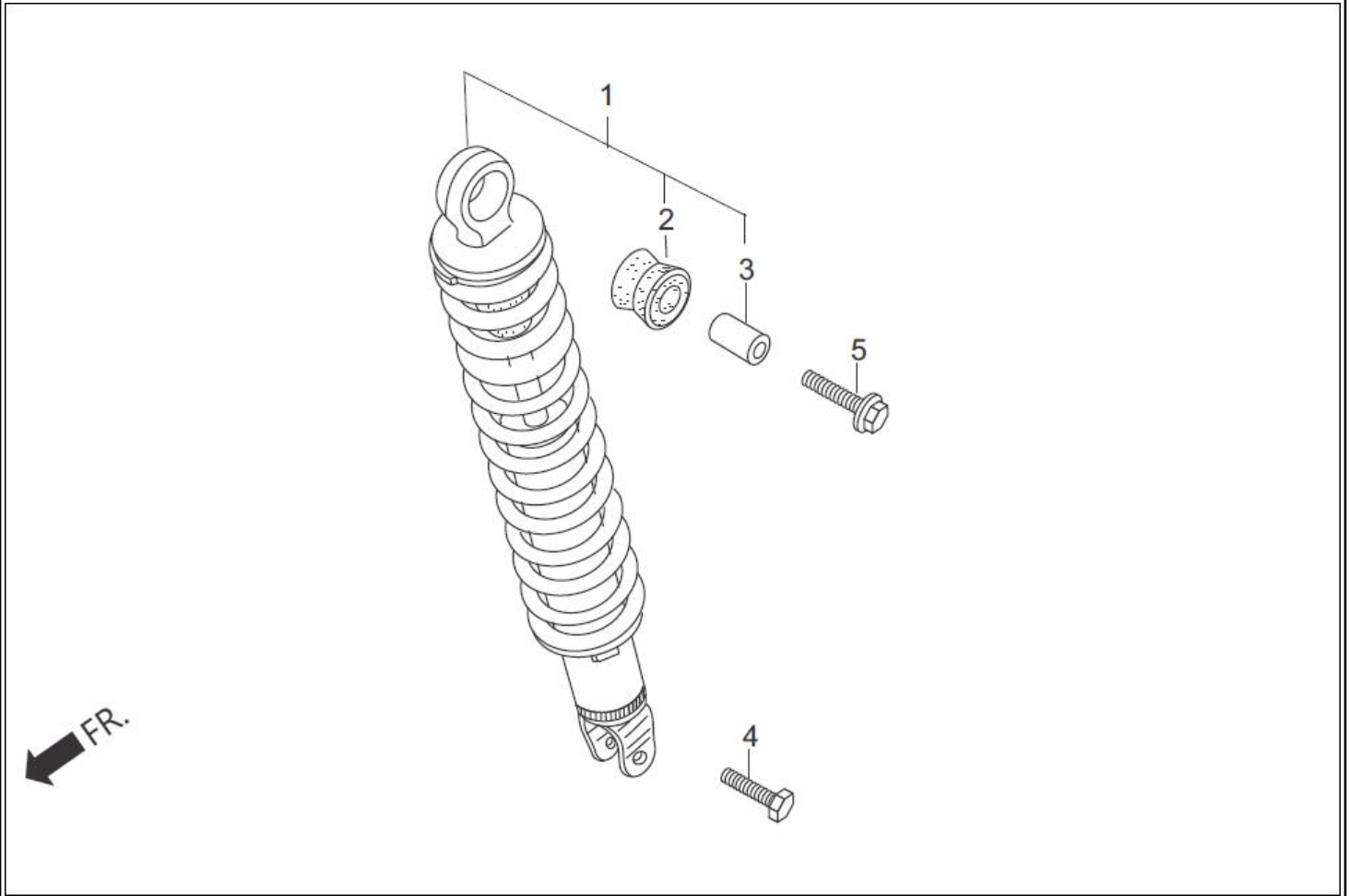
## F-17 : ARM KICK START / MAIN STAND



**Group Number:** F-17 Model :: Pleasure (July, 2012)

Ref No.	Part Number	Description	Req.
1	28300-KVT-900	ARM ASSY., KICK STARTER	1
2	50500-KTP-900	STAND COMP., MAIN	1
3	50503-GCC-000	SHAFT, MAIN STAND	1
4	94102-12000	WASHER, PLAIN, 12MM	1
5	94201-25250	PIN, SPLIT, 2.5X25	1
6	95005-14070-30	TUBE, 14X70	1
7	95014-71202	SPRING B., MAIN STAND	1
8	95701-08025-07	BOLT FLANGE 8X25	1

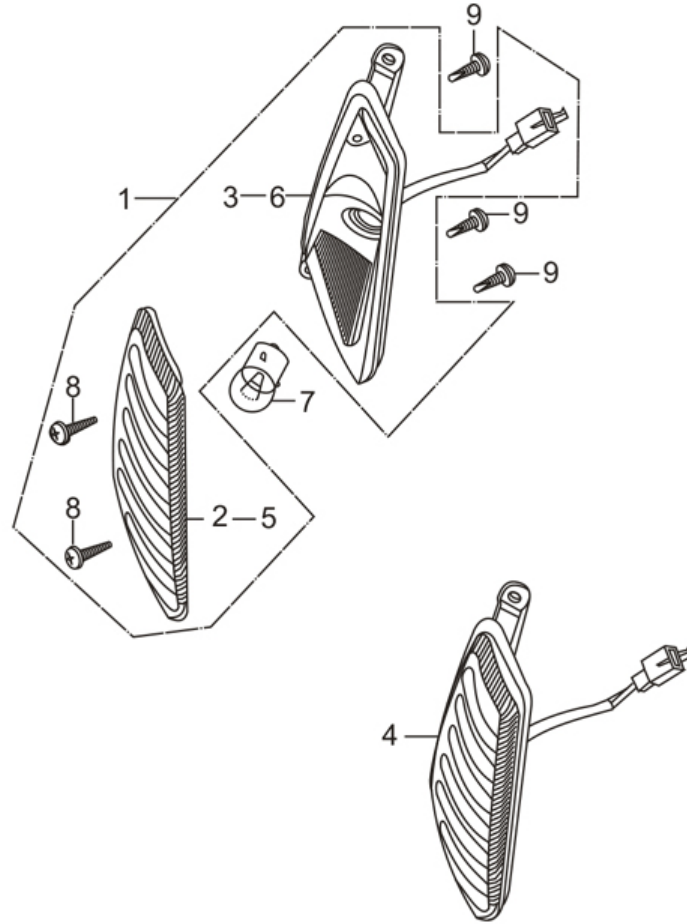
## F-18 : REAR CUSHION



**Group Number:** F-18 Model :: Pleasure (July, 2012)

Ref No.	Part Number	Description	Req.
1	52400-KTP-901	CUSHION ASSY. REAR	1
2	52485-088-901	BUSH, RUBBER (UNDER)	1
3	52486-GA7-003	COLLAR, RUBBER BUSH (UNDER)	1
4	92201-08032-0A	BOLT, FLANGE, 8 X32	1
5	95801-10035-00	BOLT, FLANGE, 10X35	1

## F-19 : FRONT WINKER



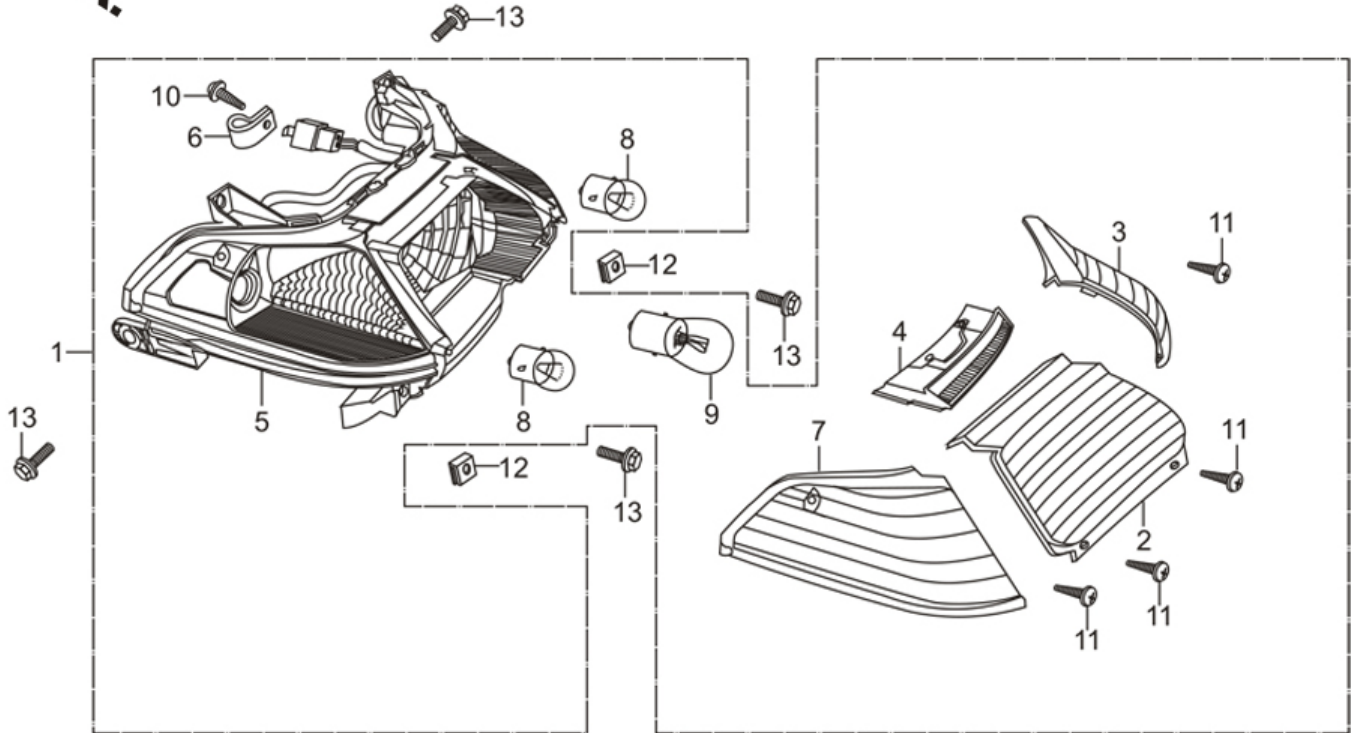
**FR.**

**Group Number:** F-19 Model :: Pleasure (July, 2012)

Ref No.	Part Number	Description	Req.
1	3340b-AAL-H01	WINKER ASSY R FR(W/O BULB)	1
1A	3340B-AAL-H01	WINKER ASSY R FR(W/O BULB)	1
2	33402-AAL-H01	LENS FR WINKER R	1
3	33405-AAL-H01	BASE COMP WINKER R	1
4	3345B-AAL-H01	WINKER ASSY L FR(W/O BULB)	1
5A	3345B-AAL-H01	WINKER ASSY L FR(W/O BULB)	1
6	33455-AAL-H01	BASE COMP WINKER L	1
7	34904-KTP-900	BULB, WINKER LIGHT (PV21W)	2
8	93901-24410	SCREW, TAPPING, 4 X 16	4
9	93903-34420	SCREW TAPPING 4X16	6

## F-20 : REAR COMBINATION LIGHT

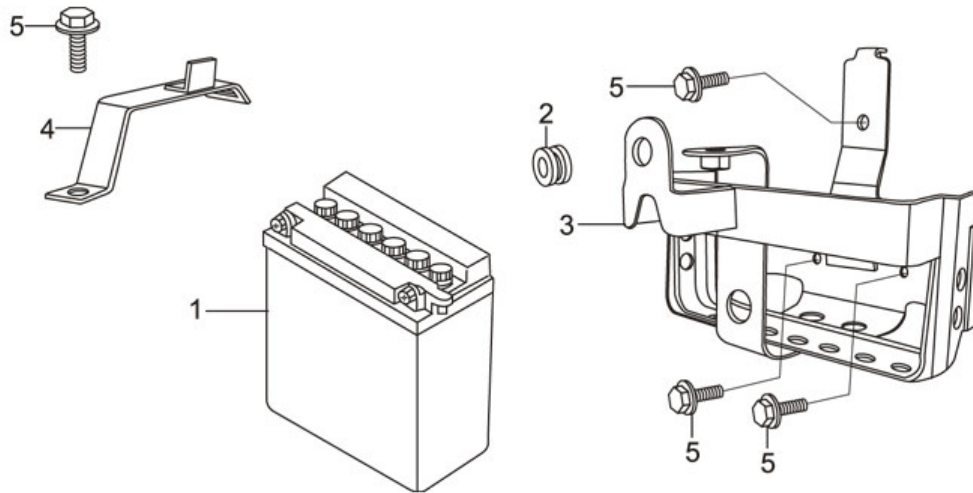
**FR.**



**Group Number:** F-20 Model :: Pleasure (July, 2012)

Ref No.	Part Number	Description	Req.
1	3370B-AAL-H01	LIGHT ASSY REAR COMB(W/O BULB)	1
2	33701-AAL-H01	LENS TAIL LIGHT	1
3	33703-KTP-901	LENS RR.WINKER R	1
4	33704-KTP-890	LENS, DUMMY	1
5	33710-KTP-901	BASE COMP.REAR	1
6	33711-KAB-003	PLATE, CLAMP	1
7	33753-AAL-H01	LENS RR.WINKER L	1
8	34904-KTP-900	BULB, WINKER LIGHT (PV21W)	2
9	34906-447-710	BULB, TAIL & STOP LIGHT (12V-21/5W)	1
12	90677-KAN-961	NUT CLIP 5MM	2
13	93404-06012-00	BOLT, WASHER, 6 X 12	4
10	93901-32320	SCREW, TAPPING, 3X12	1
11	93901-34510	SCREW, TAPPING, 4X20	4

## F-21 : BATTERY

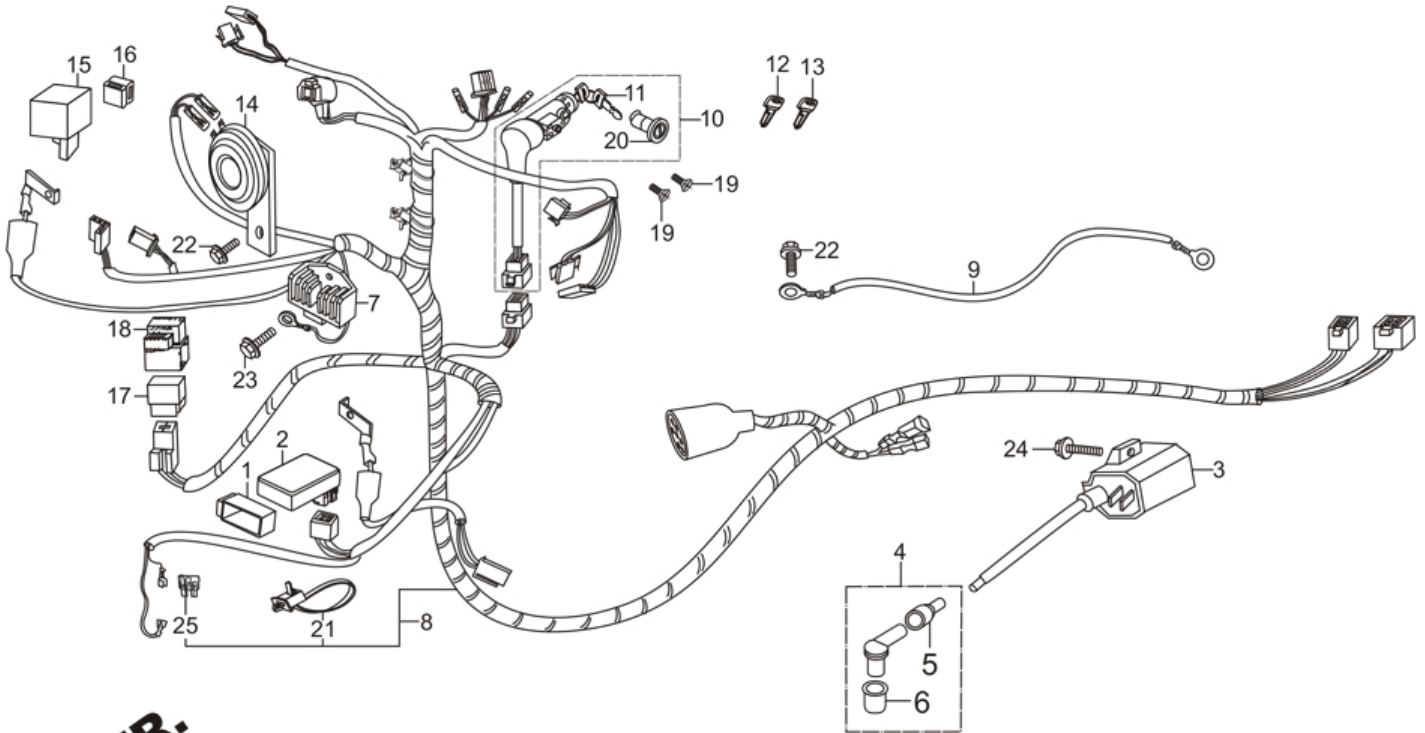


**FR.**

**Group Number:** F-21 Model :: Pleasure (July, 2012)

Ref No.	Part Number	Description	Req.
1	31500-KRP-801	BATTERY ASSY	1
2	33715-965-000	RUBBER, TAIL LIGHT MTG.	1
3	50330-KTP-950	TRAY COMP., BATTERY	1
4	50338-KTP-950	BAND, BATTERY	4
5	95701-06012-00	BOLT, FLANGE, 6X12	1

## F-22 : WIRE HARNESS

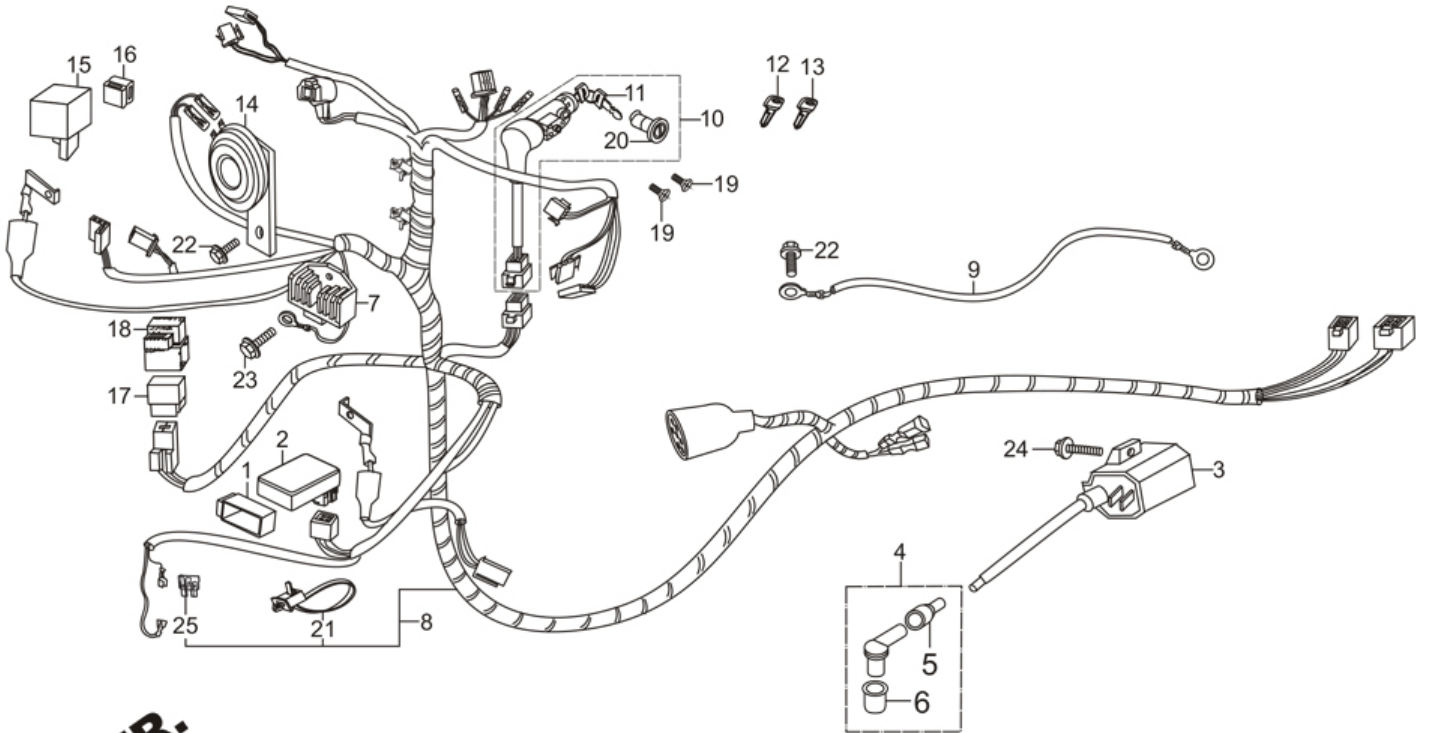


**Group Number:** F-22 Model :: Pleasure (July, 2012)

Ref No.	Part Number	Description	Req.
1	30401-AAL-00099	CUSHION CDI UNIT	1
2	30410-AAL-00099	UNIT COMP CDI	1
3	30510-AAL-00099	COIL COMP. IGNITION	1
4	30700-KTP-950	CAP ASSY, NOISE SUPPRESSOR	1
5	30604-KTP-890	CAP, CORD WATER PROOF.	1
6	30605-KTP-950	SEAL, H/T TERMINAL	1
7	31600-KTP-890	REG. RECTIFIER COMP	1
8	32100-KTP-950	HARNESS, WIRE	1
9	32603-KPL-780	CABLE, ENG-FRM. EARTH	1
10	35010-AAL-H00	KEY SET	1
11	35100-AAL-H00	SWITCH ASSY COMP & LOCK	1
12	35121-AAL-H00	KEY BLANK NO 1	1
13	35122-AAL-H00	KEY BLANK NO 2	1
14	38110-KTP-890	HORN COMP	1
15	38301-KTP-890	RELAY COMP., WINKER	1
16	38306-GE7-000	SUSPENSION, WINKER RELAY	1
17	38501-KTP-890	RELAY COMP., START	1
18	38506-KPL-900	SUSP. START RELAY	1
19	90164-KPL-900	SCREW, FLAT, U LOCK, 6X12	2
20	77239-AAL-H00	KEY SEAT LOCK	1
21	90662-KPL-901	HARNESS, BAND	2
22	95701-06012-00	BOLT, FLANGE, 6X12	2
23	95701-06016-00	BOLT, FLANGE, 6X16	1
24	96001-06018-00	BOLT, FLANGE, 6 X 18	1



## F-22 : WIRE HARNESS



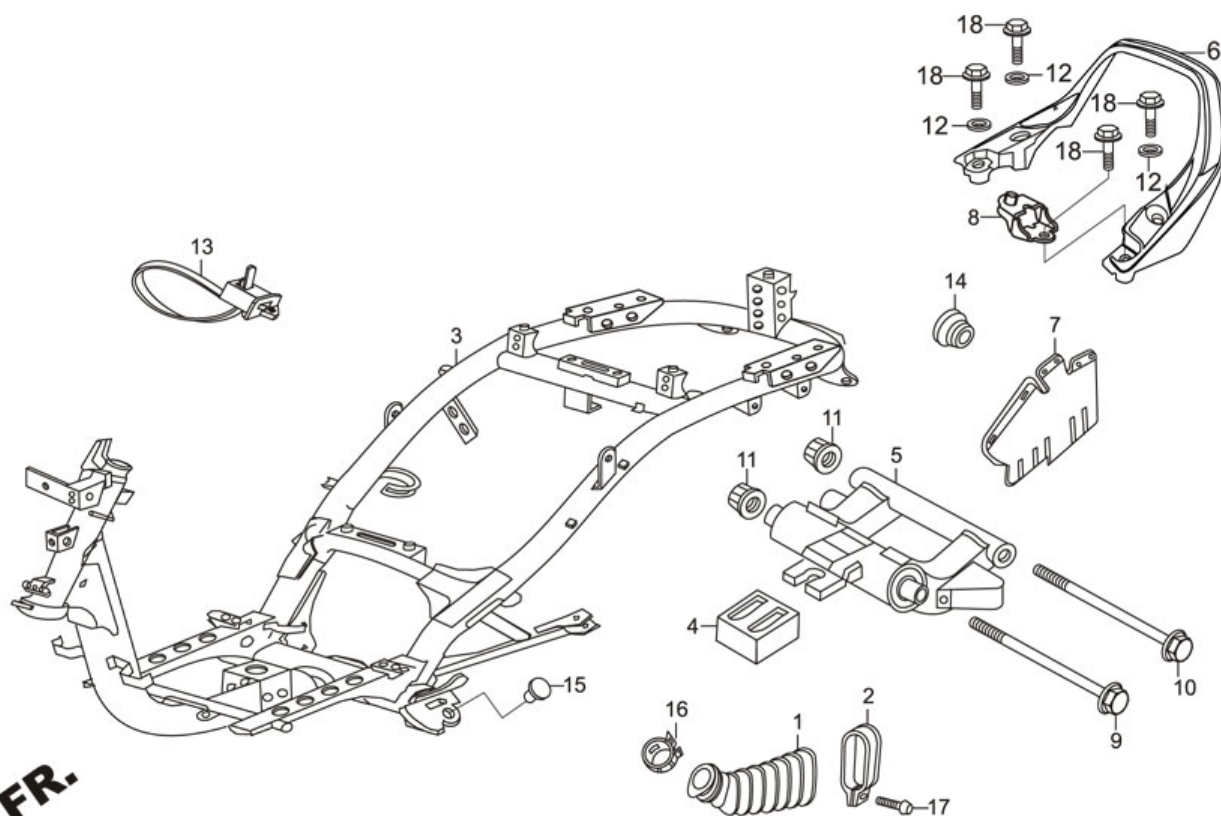
**FR.**

25 98200-31000

BLADE, FUSE 10A

2

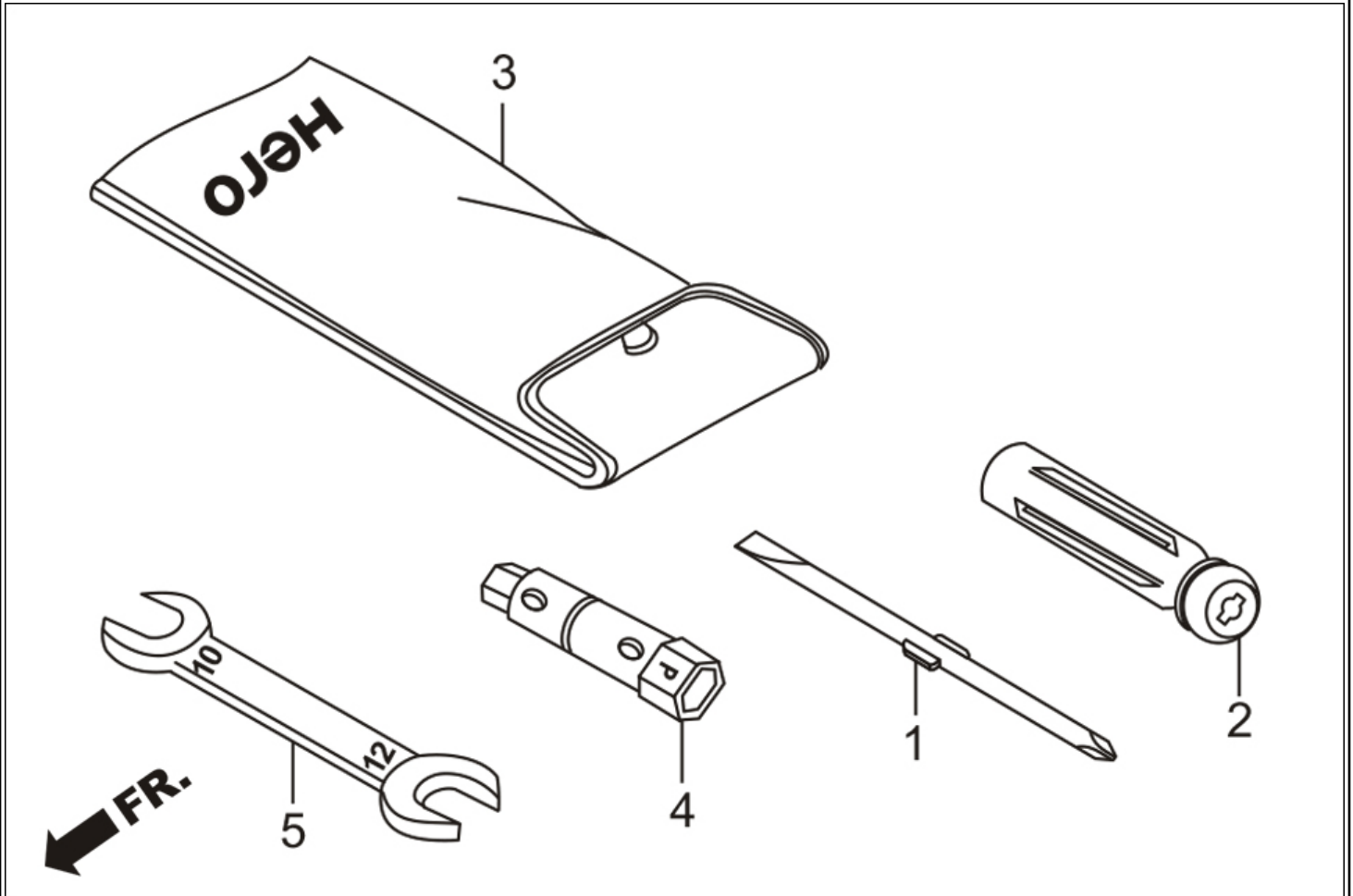
## F-23 : FRAME BODY



**Group Number:** F-23 **Model ::** Pleasure (July, 2012)

Ref No.	Part Number	Description	Req.
1	11345-GCC-000	DUCT, L. COVER	1
2	11346-KCW-870	BAND, L. COVER. DUCT	1
3	50100-KTP-900	FRAME BODY COMP	1
4	50352-GW0-730	RUBBER, LINK STOPPER	1
5	50355-KPL-900	LINK, SUB ASSY., ENG. HANGER	1
6	77300-KTP-930ZC	GRIP, RR. (CANDY BLAZING RED)	1
	77300-KTP-930ZA	GRIP, RR. (FORCE SILVER ME.)	1
	77300-KTP-930ZJ	GRIP, RR. (BLACK)	1
	77300-KTP-950ZE	GRIP, RR (PEARL FADELESS WHITE)	1
7	80102-KTP-900	PLATE, FRAME, BODY SPLASH GUARD	1
8	81251-KTP-900	STAY, LUGGAGE BOX	1
9	90105-KJ9-000	BOLT, FLANGE 10X210	1
10	90106-GCC-000	BOLT, FLANGE 10X238	1
11	90304-KCS-920	NUT U 10 MM	2
12	90505-KY4-900	WASHER,PLAIN ,8 MM	3
13	90672-KPL-901	BODY, CLIP	1
14	90862-GCC-000	PLUG, FRAME, END	1
15	90862-KTP-900	PLUG SIDE STAND BRKT	1
16	91405-KPL-900	CLAMP, D29 TUBE	1
17	93500-04025-0A	SCREW PAN, 4 X 25	1
18	95701-08038-08	BOLT, FLANGE, 8X38	4

## F-24 : TOOLS



**Group Number:** F-24 Model :: Pleasure (July, 2012)

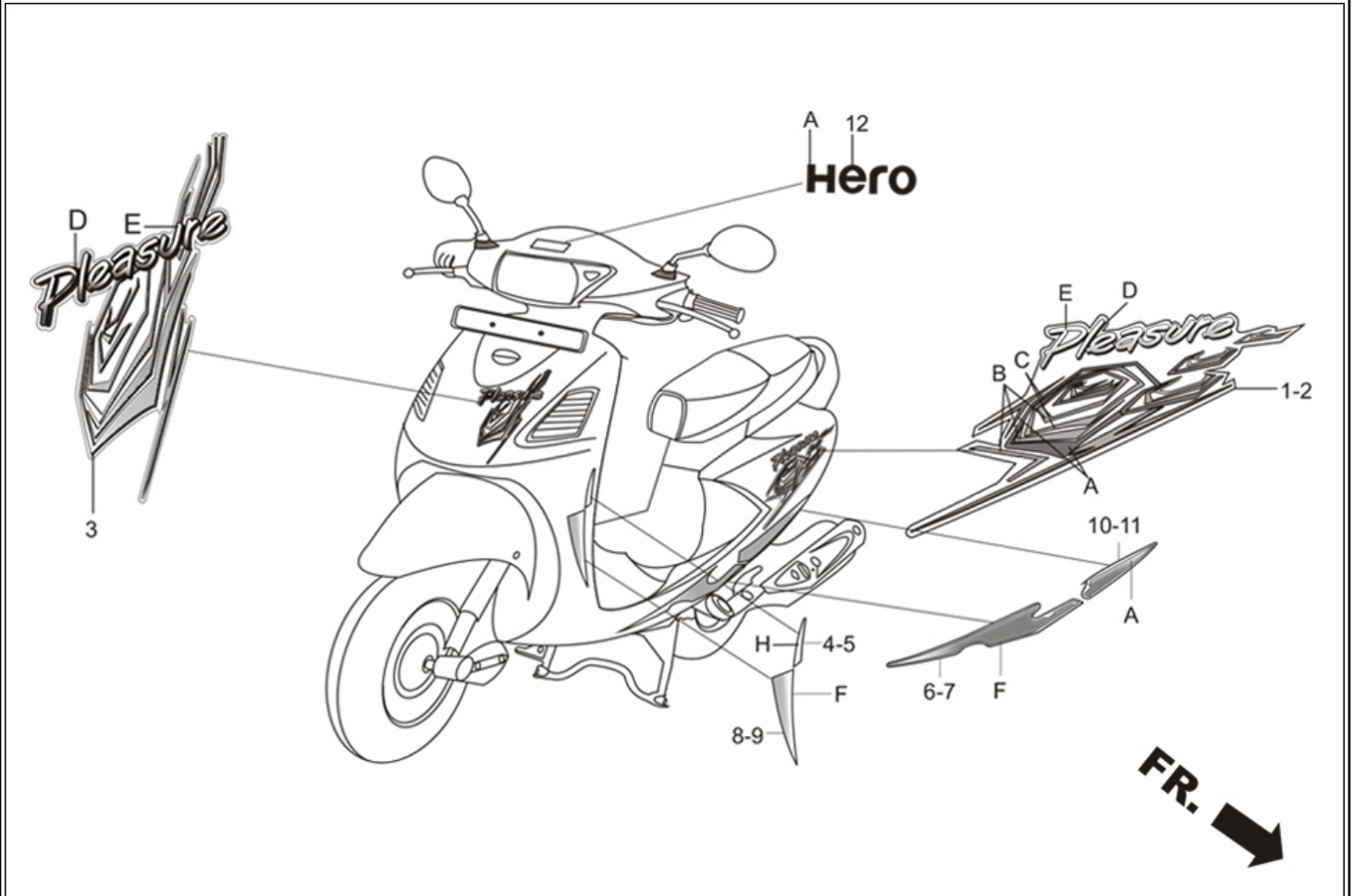
Ref No.	Part Number	Description	Req.
1	89102-538-000	SCREW, DRIVER PLUS/MINUS	1
2	89103-538-000	GRIP, SCREW DRIVER	1
3	89216-KAG-910	BAG, TOOL	1
4	89216-KTP-900	WRENCH, PLUG(16)	1
5	89218-AAL-H00	SPANNER 14	1

## F-25 : CAUTION LABEL

Group Number: F-25 Model :: Pleasure (July, 2012)

Ref No.	Part Number	Description	Req.
1	87505-AAL-H20	LABEL TYRE	1
2	87506-KTP-900	LABEL, BATTERY	1
3	87560-MZ0-670	LABEL, DRIVE	1

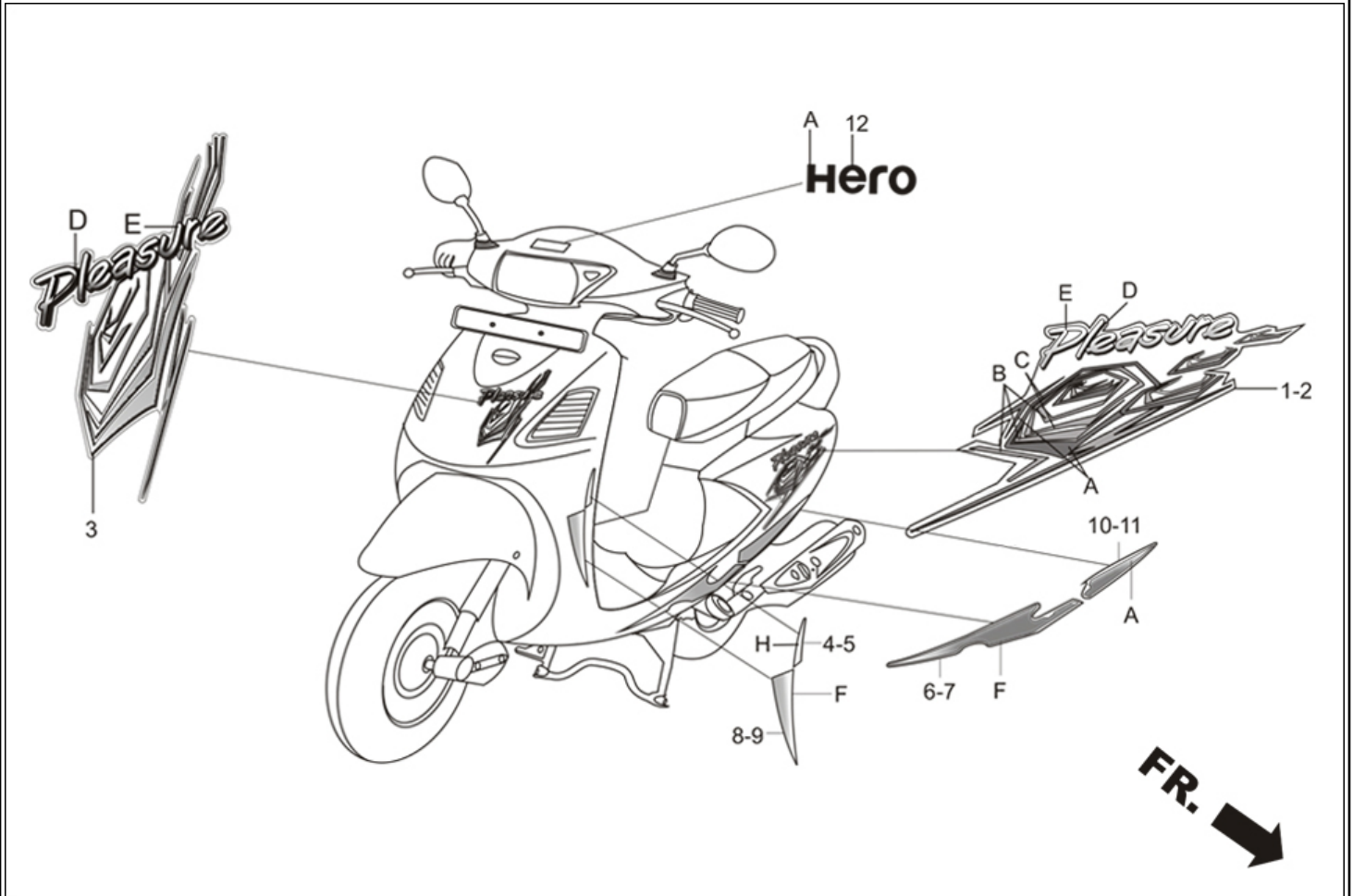
## F-26 : STRIPE



**Group Number:** F-26 Model :: Pleasure (July, 2012)

Ref No.	Part Number	Description	Req.
1	86102-KTP-950ZA	STRIPE A, R. BODY COVER (TYPE-1)	1
	86102-KTP-950ZB	STRIPE A, R. BODY COVER (TYPE-2)	1
	86102-KTP-950ZC	STRIPE A, R. BODY COVER (TYPE-3)	1
	86102-KTP-950ZD	STRIPE A, R. BODY COVER (TYPE-4)	1
	86102-KTP-950ZE	STRIPE A, R. BODY COVER (TYPE-5)	1
	86102-KTP-950ZF	STRIPE A, R. BODY COVER (TYPE-6)	1
	86102-KTP-950ZG	STRIPE A, R. BODY COVER (TYPE-7)	1

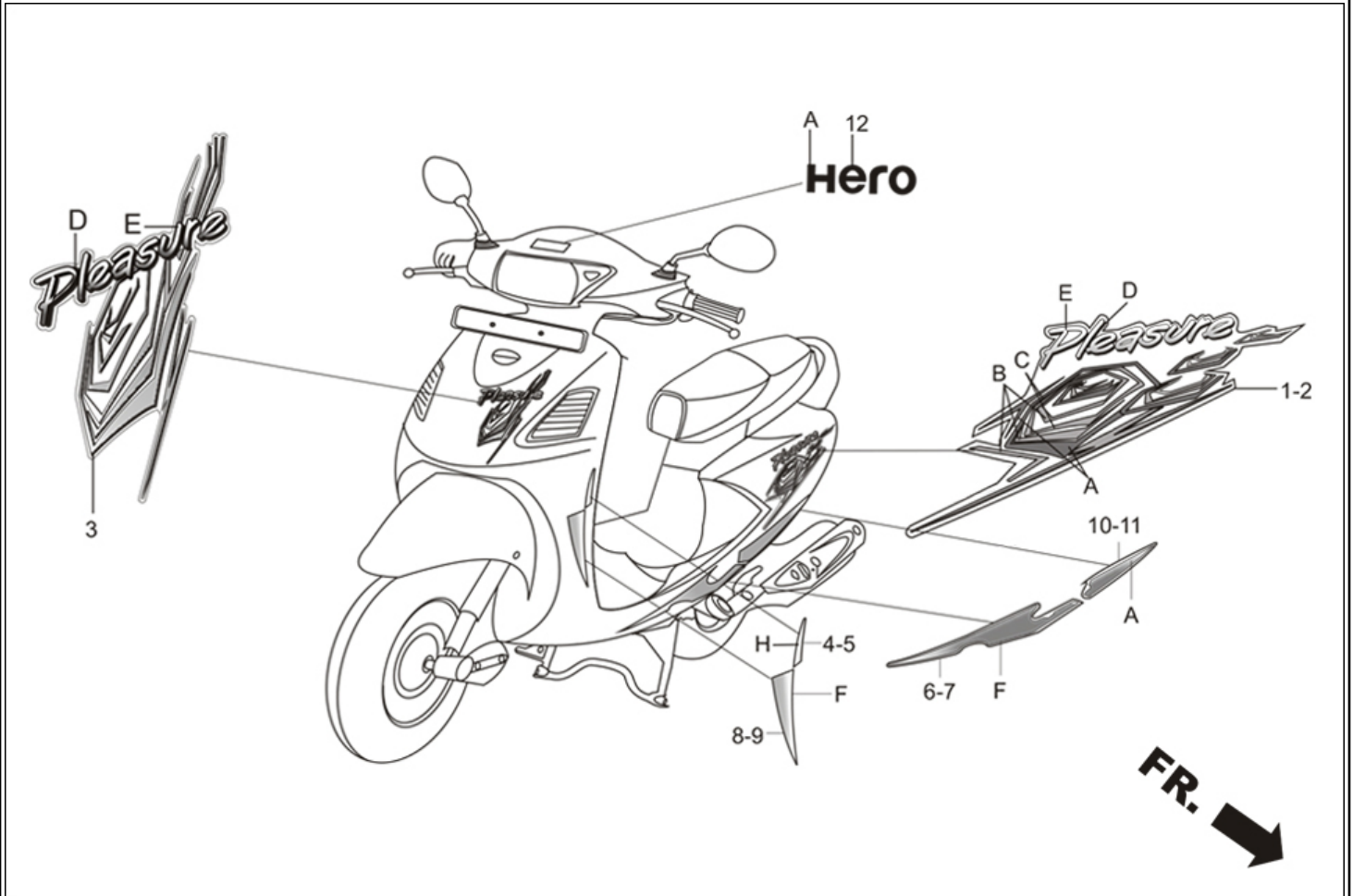
## F-26 : STRIPE



**Group Number:** F-26 Model :: Pleasure (July, 2012)

Ref No.	Part Number	Description	Req.
2	86103-KTP-950ZA	STRIPE A, L. BODY COVER (TYPE-1)	1
	86103-KTP-950ZB	STRIPE A, L. BODY COVER (TYPE-2)	1
	86103-KTP-950ZC	STRIPE A, L. BODY COVER (TYPE-3)	1
	86103-KTP-950ZD	STRIPE A, L. BODY COVER (TYPE-4)	1
	86103-KTP-950ZE	STRIPE A, L. BODY COVER (TYPE-5)	1
	86103-KTP-950ZF	STRIPE A, L. BODY COVER (TYPE-6)	1
	86103-KTP-950ZG	STRIPE A, L. BODY COVER (TYPE-7)	1

## F-26 : STRIPE

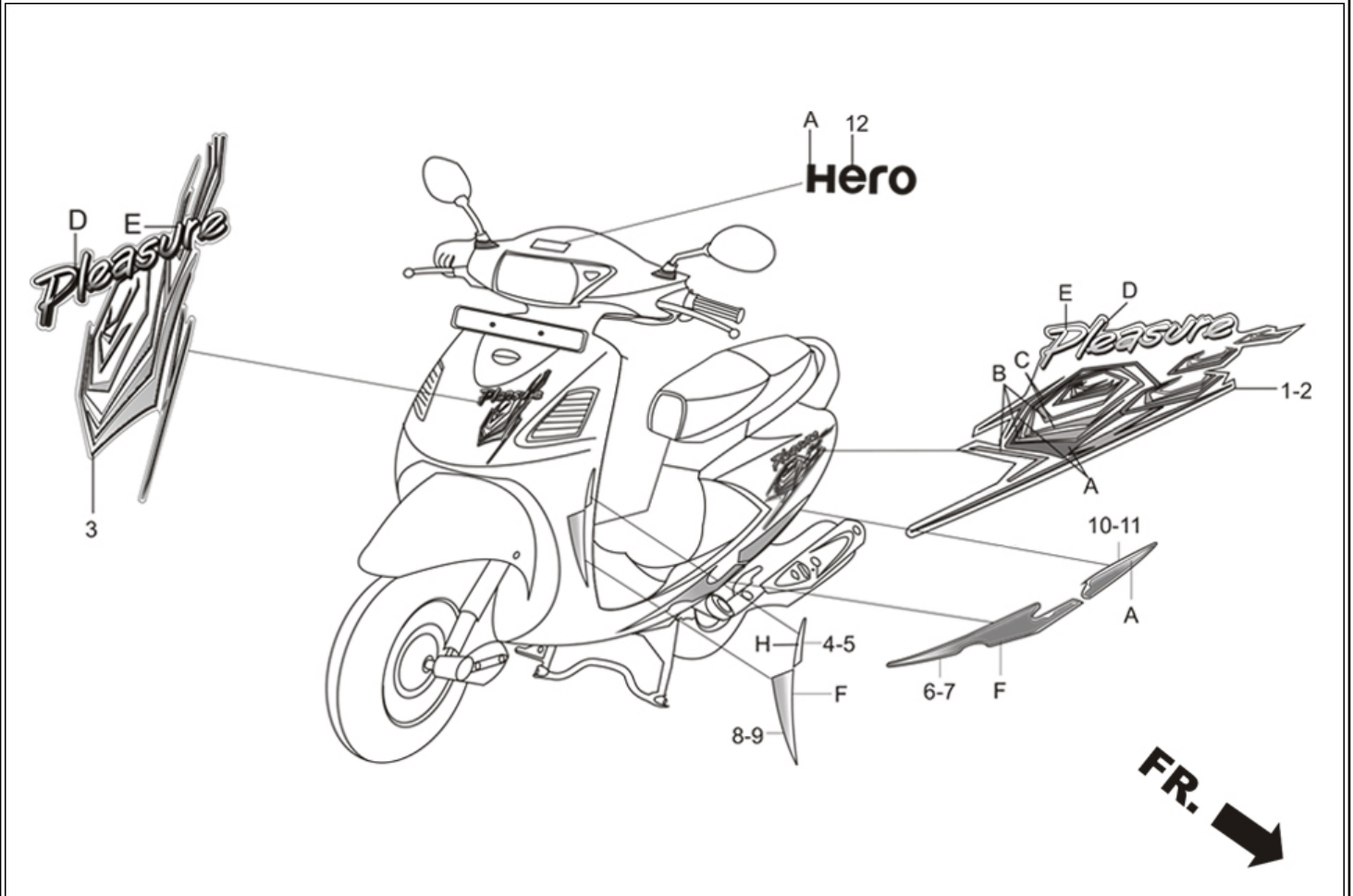


**Group Number:** F-26 Model :: Pleasure (July, 2012)

Ref No.	Part Number	Description	Req.
3	86211-KTP-950ZA	STRIPE A, FR. UPPER COVER (TYPE-1)	1
	86211-KTP-950ZB	STRIPE A, FR. UPPER COVER (TYPE-2)	1
	86211-KTP-950ZC	STRIPE A, FR. UPPER COVER (TYPE-3)	1
	86211-KTP-950ZD	STRIPE A, FR. UPPER COVER (TYPE-4)	1
	86211-KTP-950ZE	STRIPE A, FR. UPPER COVER (TYPE-5)	1
	86211-KTP-950ZF	STRIPE A, FR. UPPER COVER (TYPE-6)	1
	86211-KTP-950ZG	STRIPE A, FR. UPPER COVER (TYPE-7)	1
	86211-KTP-950ZH	STRIPE A, FR. UPPER COVER (TYPE-8)	1



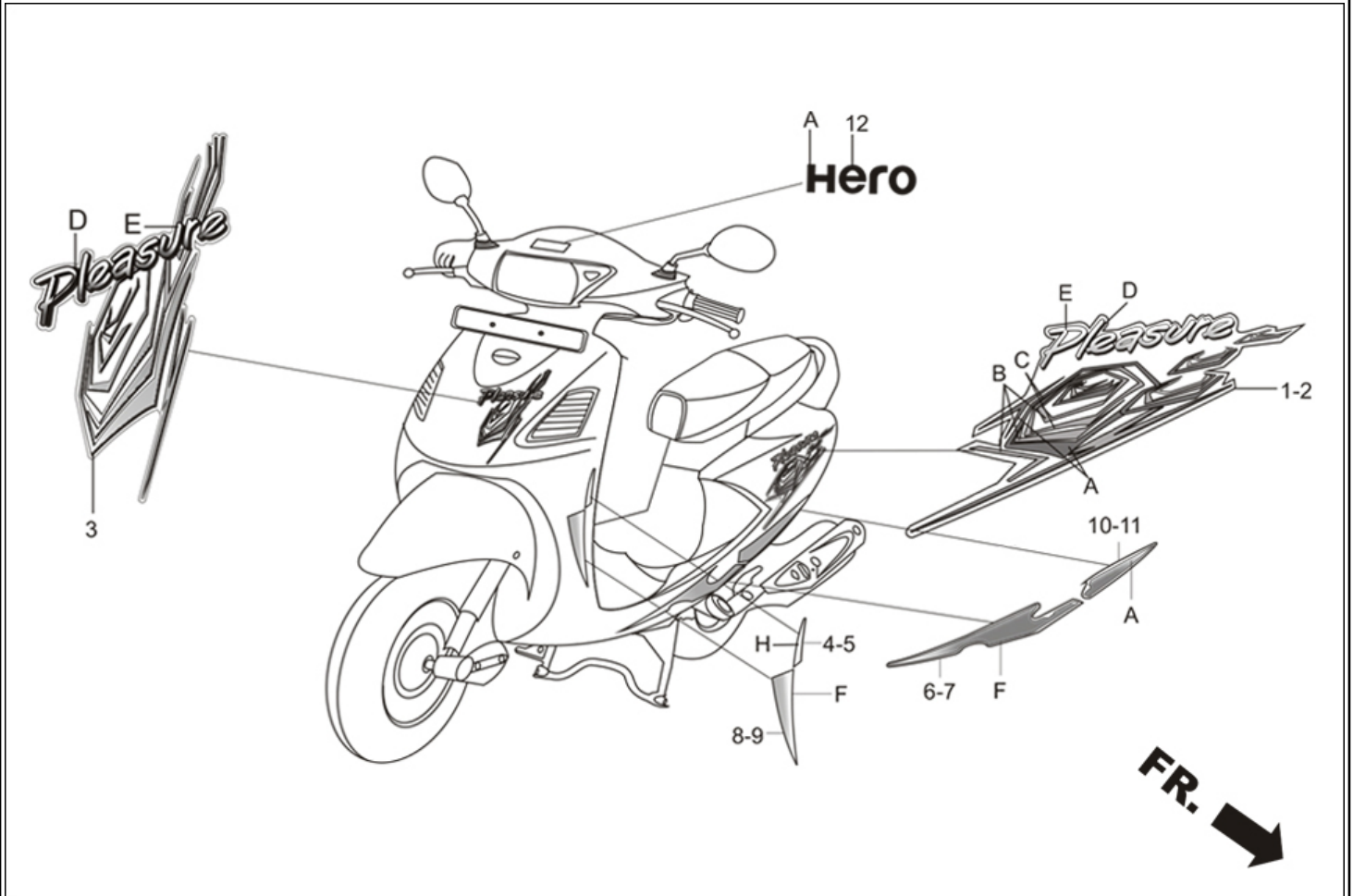
## F-26 : STRIPE



**Group Number:** F-26 Model :: Pleasure (July, 2012)

Ref No.	Part Number	Description	Req.
4	86221-KTP-950ZA	STRIPE B, FR. UPPER COVER (TYPE-1)	1
	86221-KTP-950ZB	STRIPE B, FR. UPPER COVER (TYPE-2)	1
	86221-KTP-950ZC	STRIPE B, FR. UPPER COVER (TYPE-3)	1
	86221-KTP-950ZD	STRIPE B, FR. UPPER COVER (TYPE-4)	1
	86221-KTP-950ZE	STRIPE B, FR. UPPER COVER (TYPE-5)	1
	86221-KTP-950ZF	STRIPE B, FR. UPPER COVER (TYPE-6)	1

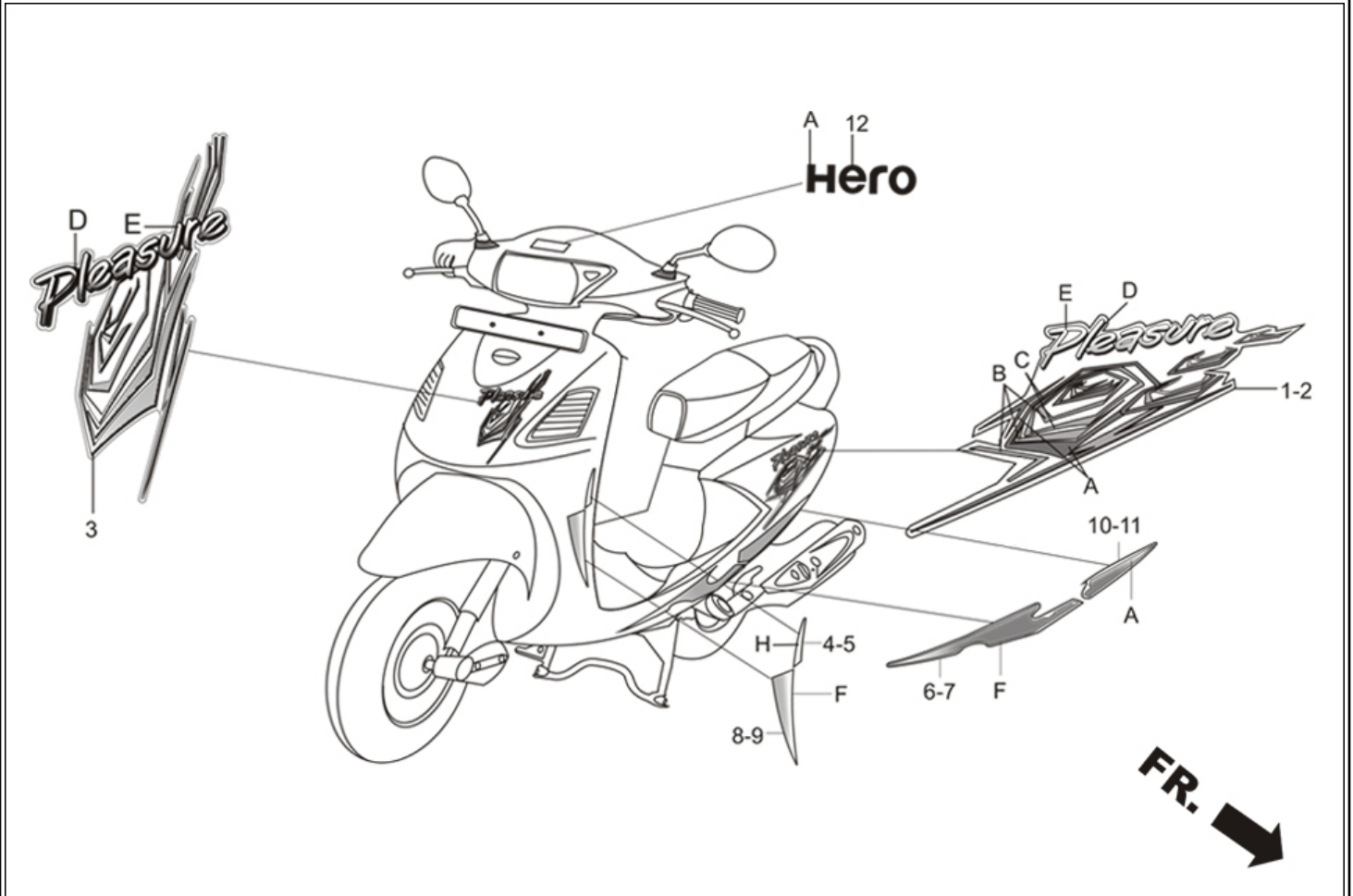
## F-26 : STRIPE



**Group Number:** F-26 Model :: Pleasure (July, 2012)

Ref No.	Part Number	Description	Req.
5	86231-KTP-950ZA	STRIPE B, L. FR. UPPER COVER (TYPE-1)	1
	86231-KTP-950ZB	STRIPE B, L. FR. UPPER COVER (TYPE-2)	1
	86231-KTP-950ZC	STRIPE B, L. FR. UPPER COVER (TYPE-3)	1
	86231-KTP-950ZD	STRIPE B, L. FR. UPPER COVER (TYPE-4)	1
	86231-KTP-950ZE	STRIPE B, L. FR. UPPER COVER (TYPE-5)	1
	86231-KTP-950ZF	STRIPE B, L. FR. UPPER COVER (TYPE-6)	1

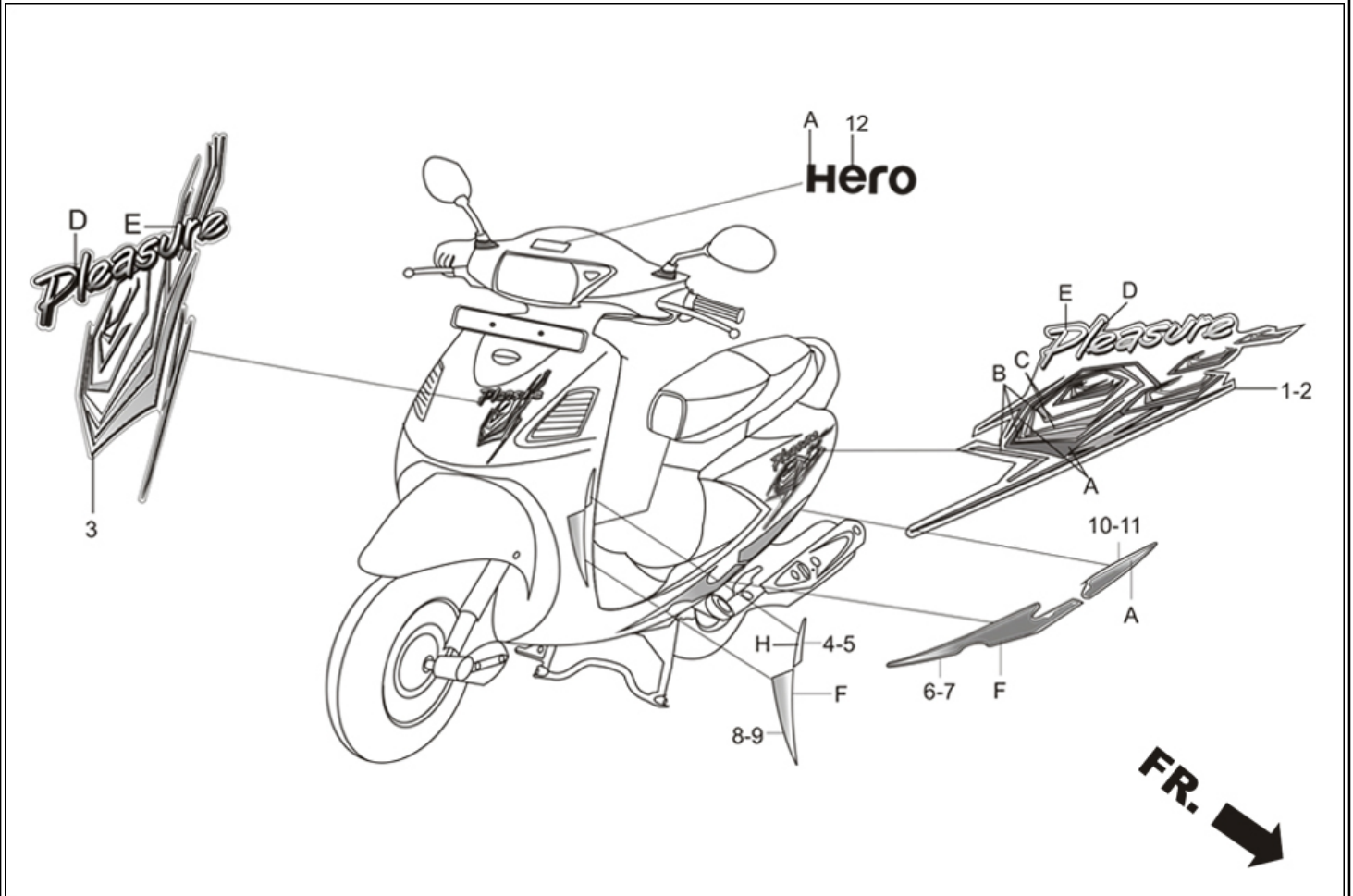
## F-26 : STRIPE



**Group Number:** F-26 Model :: Pleasure (July, 2012)

Ref No.	Part Number	Description	Req.
6	86321-KTP-950ZA	STRIPE, R. FLOOR SIDE COVER (TYPE-1)	1
	86321-KTP-950ZB	STRIPE, R. FLOOR SIDE COVER (TYPE-2)	1
	86321-KTP-950ZC	STRIPE, R. FLOOR SIDE COVER (TYPE-3)	1
	86321-KTP-950ZD	STRIPE, R. FLOOR SIDE COVER (TYPE-4)	1
	86321-KTP-950ZE	STRIPE, R. FLOOR SIDE COVER (TYPE-5)	1
	86321-KTP-950ZF	STRIPE, R. FLOOR SIDE COVER (TYPE-6)	1

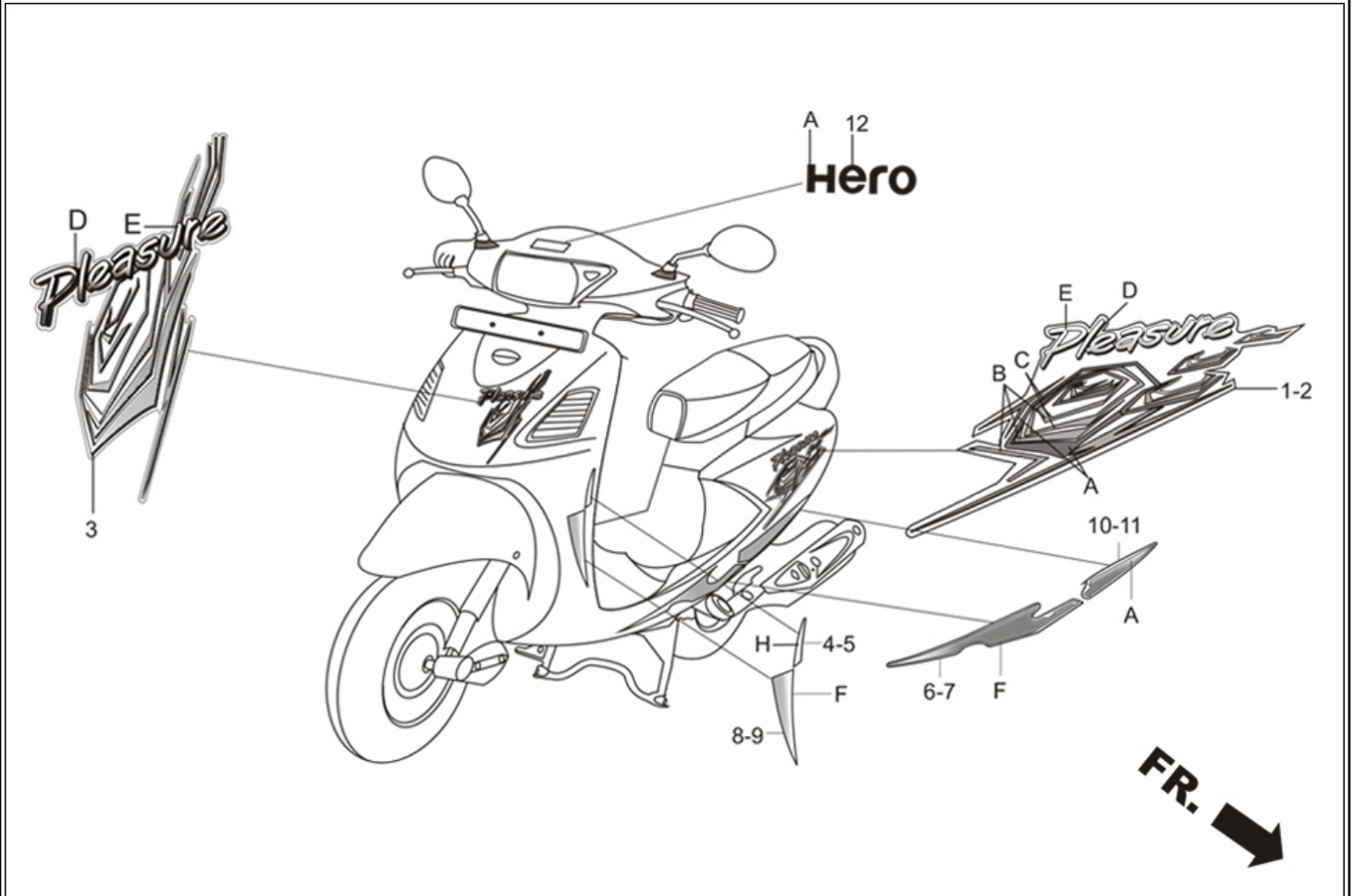
## F-26 : STRIPE



**Group Number:** F-26 Model :: Pleasure (July, 2012)

Ref No.	Part Number	Description	Req.
7	86331-KTP-950ZA	STRIPE, L. FLOOR SIDE COVER (TYPE-1)	1
	86331-KTP-950ZB	STRIPE, L. FLOOR SIDE COVER (TYPE-2)	1
	86331-KTP-950ZC	STRIPE, L. FLOOR SIDE COVER (TYPE-3)	1
	86331-KTP-950ZD	STRIPE, L. FLOOR SIDE COVER (TYPE-4)	1
	86331-KTP-950ZE	STRIPE, L. FLOOR SIDE COVER (TYPE-5)	1
	86331-KTP-950ZF	STRIPE, L. FLOOR SIDE COVER (TYPE-6)	1

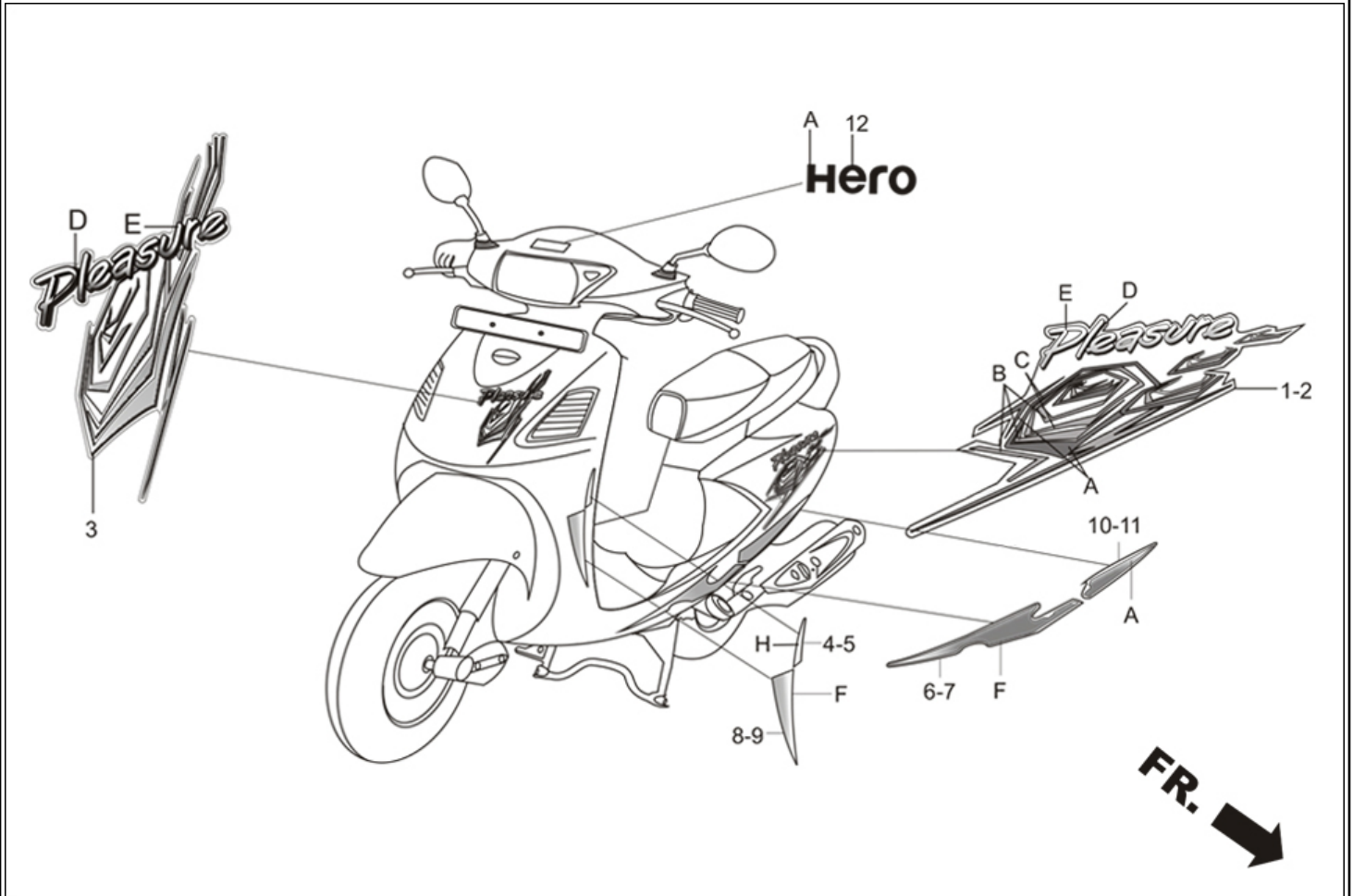
## F-26 : STRIPE



**Group Number:** F-26 Model :: Pleasure (July, 2012)

Ref No.	Part Number	Description	Req.
8	86351-KTP-950ZA	STRIPE R, FR. LOWER COVER (TYPE-1)	1
	86351-KTP-950ZB	STRIPE R, FR. LOWER COVER (TYPE-2)	1
	86351-KTP-950ZC	STRIPE R, FR. LOWER COVER (TYPE-3)	1
	86351-KTP-950ZD	STRIPE R, FR. LOWER COVER (TYPE-4)	1
	86351-KTP-950ZE	STRIPE R, FR. LOWER COVER (TYPE-5)	1
	86351-KTP-950ZF	STRIPE R, FR. LOWER COVER (TYPE-6)	1

## F-26 : STRIPE

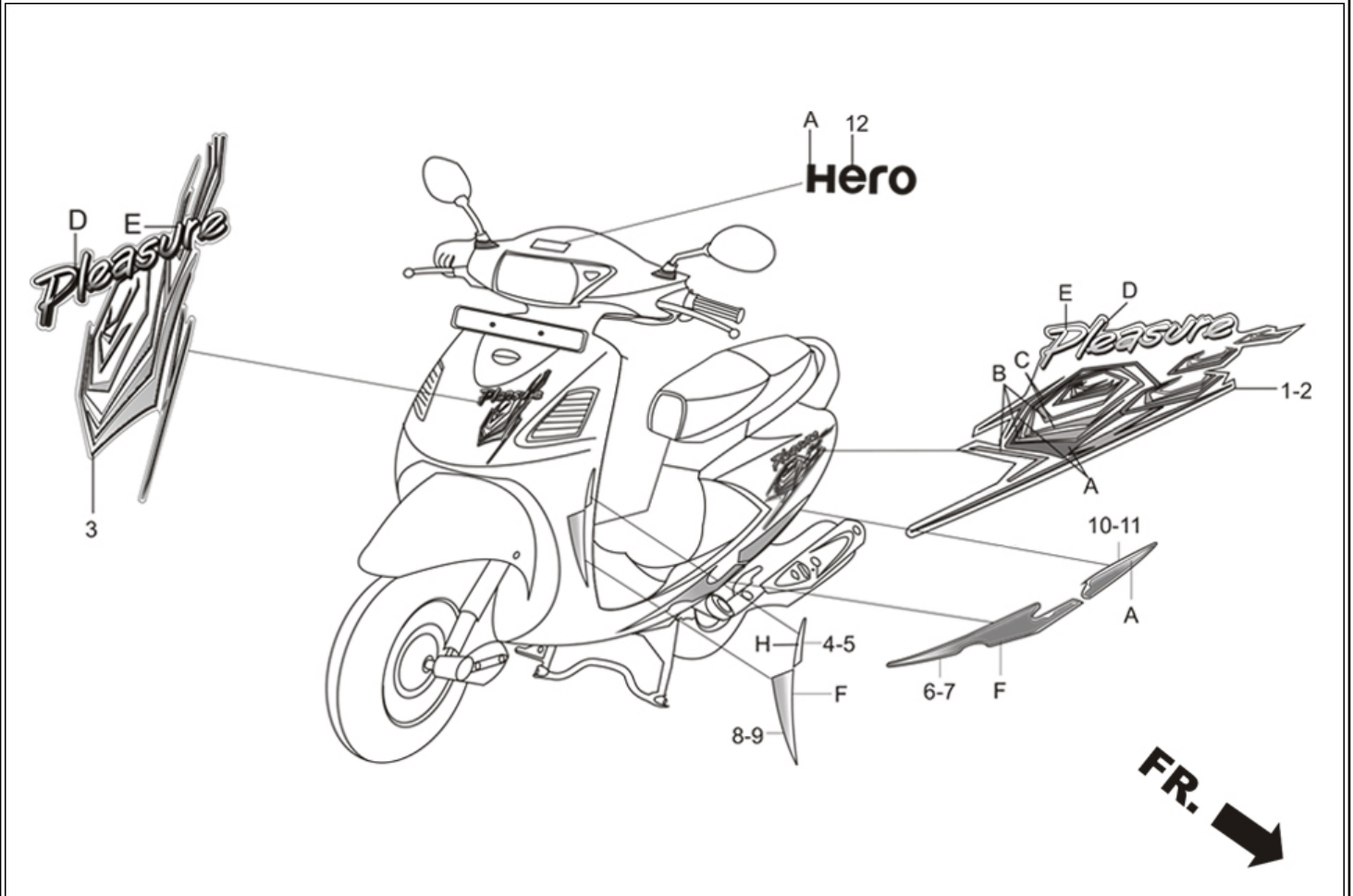


**Group Number:** F-26 Model :: Pleasure (July, 2012)

Ref No.	Part Number	Description	Req.
9	86361-KTP-950ZA	STRIPE L, FR. LOWER COVER (TYPE-1)	1
	86361-KTP-950ZB	STRIPE L, FR. LOWER COVER (TYPE-2)	1
	86361-KTP-950ZC	STRIPE L, FR. LOWER COVER (TYPE-3)	1
	86361-KTP-950ZD	STRIPE L, FR. LOWER COVER (TYPE-4)	1
	86361-KTP-950ZE	STRIPE L, FR. LOWER COVER (TYPE-5)	1
	86361-KTP-950ZF	STRIPE L, FR. LOWER COVER (TYPE-6)	1



## F-26 : STRIPE

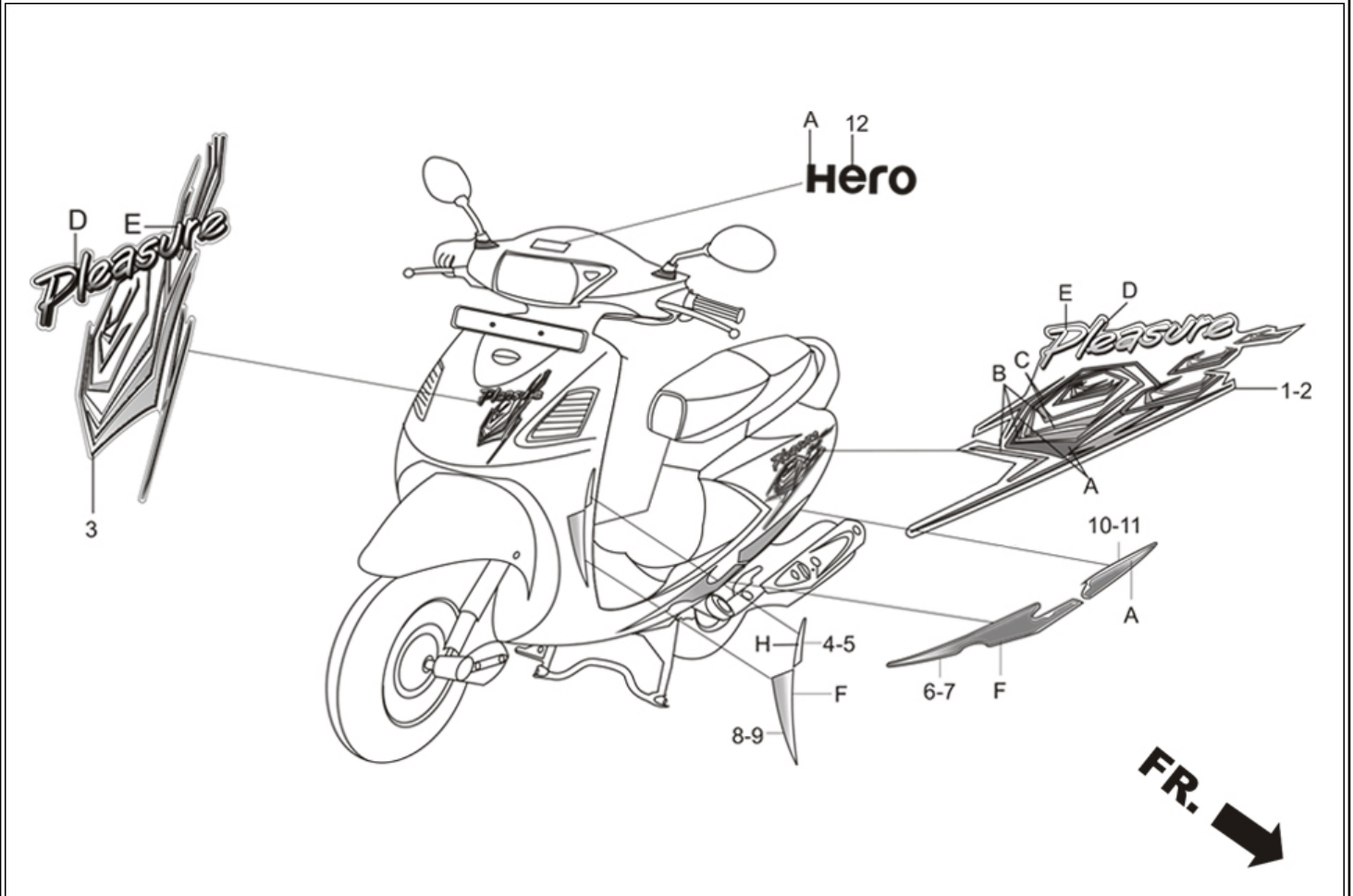


**Group Number:** F-26 Model :: Pleasure (July, 2012)

Ref No.	Part Number	Description	Req.
10	86451-KTP-950ZA	STRIPE B, R. BODY COVER (TYPE-1)	1
	86451-KTP-950ZB	STRIPE B, R. BODY COVER (TYPE-2)	1
	86451-KTP-950ZC	STRIPE B, R. BODY COVER (TYPE-3)	1
	86451-KTP-950ZD	STRIPE B, R. BODY COVER (TYPE-4)	1
	86451-KTP-950ZE	STRIPE B, R. BODY COVER (TYPE-5)	1
	86451-KTP-950ZF	STRIPE B, R. BODY COVER (TYPE-6)	1



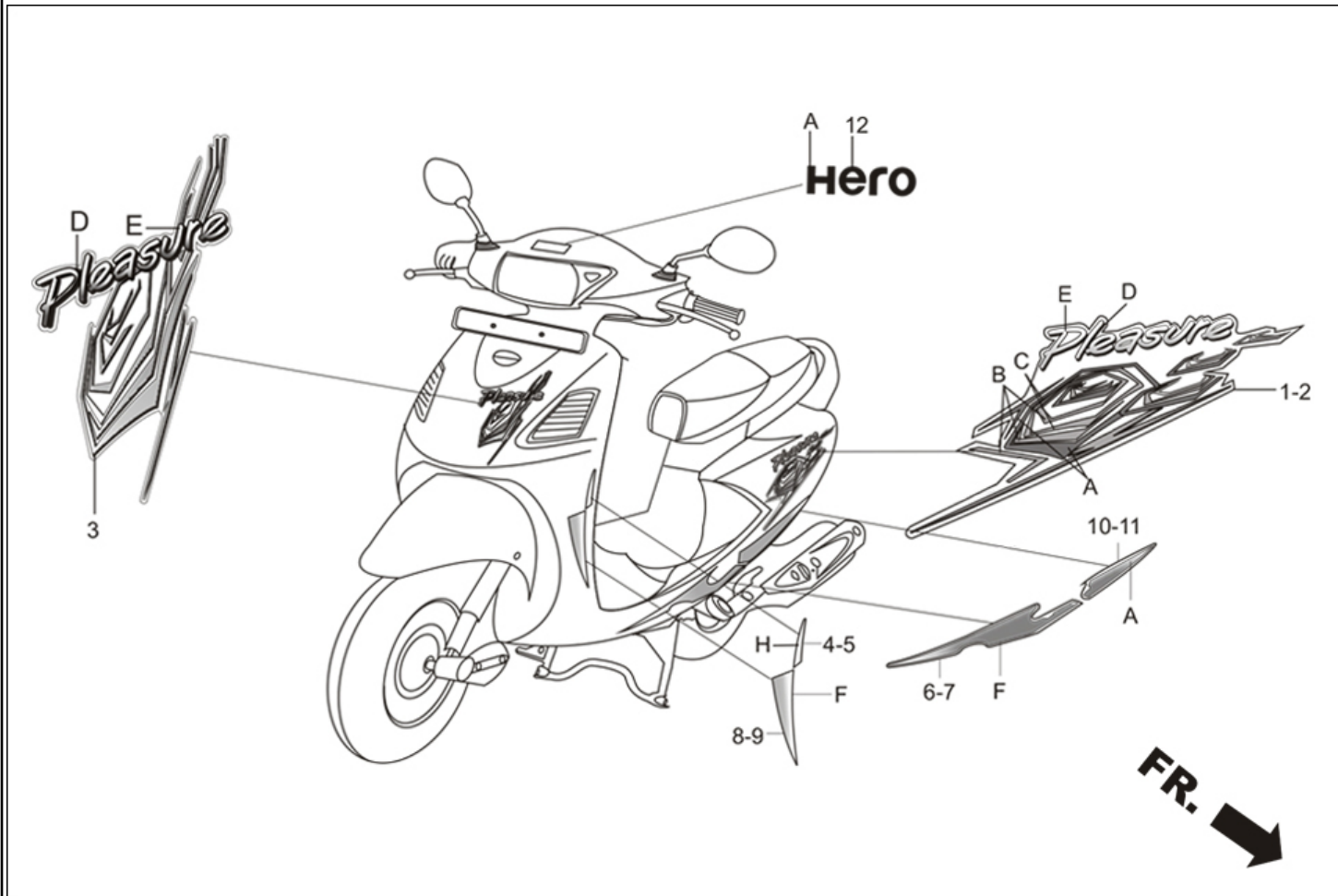
## F-26 : STRIPE



**Group Number:** F-26 Model :: Pleasure (July, 2012)

Ref No.	Part Number	Description	Req.
11	86461-KTP-950ZA	STRIPE B, L. BODY COVER (TYPE-1)	1
	86461-KTP-950ZB	STRIPE B, L. BODY COVER (TYPE-2)	1
	86461-KTP-950ZC	STRIPE B, L. BODY COVER (TYPE-3)	1
	86461-KTP-950ZD	STRIPE B, L. BODY COVER (TYPE-4)	1
	86461-KTP-950ZE	STRIPE B, L. BODY COVER (TYPE-5)	1
	86461-KTP-950ZF	STRIPE B, L. BODY COVER (TYPE-6)	1

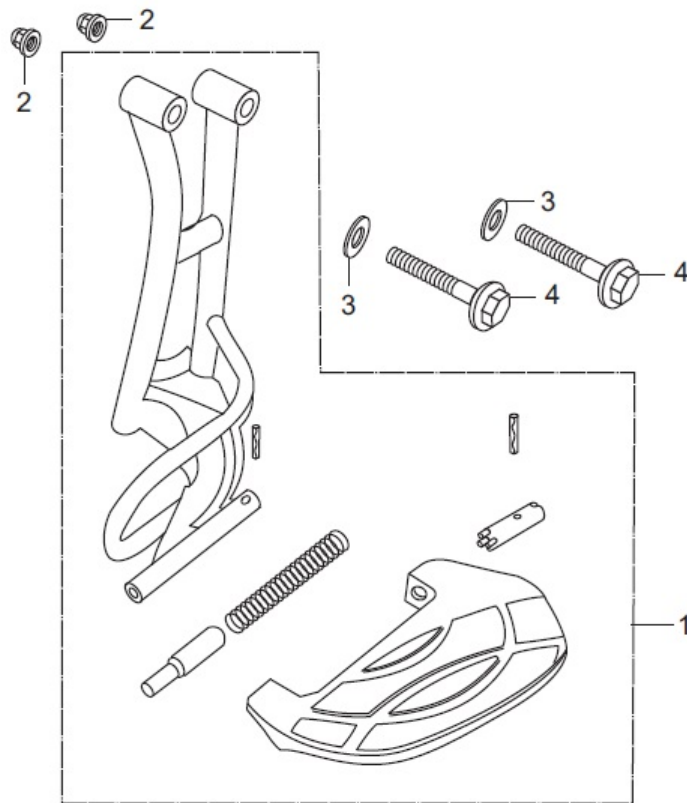
## F-26 : STRIPE



**Group Number:** F-26 Model :: Pleasure (July, 2012)

Ref No.	Part Number	Description	Req.
12	87101-AAL-H30ZA	MARK HANDLE FR. COVER (TYPE-1)	1
	87101-AAL-H30ZB	MARK HANDLE FR. COVER (TYPE-2)	1

## FOP-1 : SARI STEP SET (OPTIONAL)

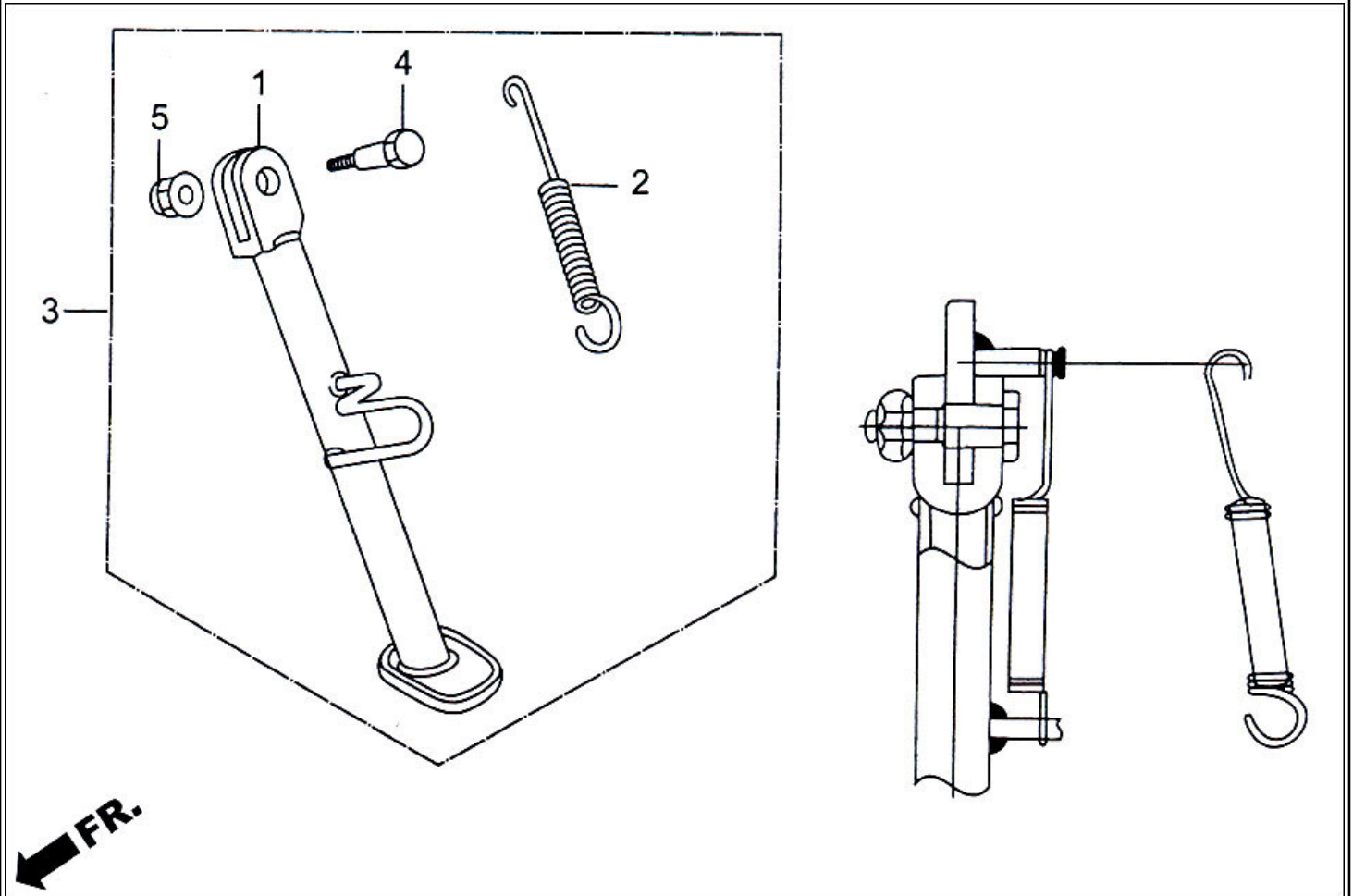


**FR.** ←

**Group Number: FOP-1 Model :: Pleasure (July, 2012)**

Ref No.	Part Number	Description	Req.
1	83520-KTP-900	STEP ASSY. SARI	1
2	94021-08000-0S	NUT,HEX CAP 8 MM	2
3	94101-08000	WASHER, PLAIN, 8MM	2
4	95801-08045-00	BOLT FLANGE 8X45	2

## FOP-2 : STAND SET SIDE



**Group Number:** FOP-2 Model :: Pleasure (July, 2012)

Ref No.	Part Number	Description	Req.
1	50530-KTP-900	BAR. COMP., SIDE STAND	1
2	50536-KPL-900	SPG. SIDE SET	1
3	50530-KTP-900	BAR. COMP., SIDE STAND	1
4	90109-KPL-900	BOLT SIDE STAND PIVOT	1
5	90304-KCS-920	NUT U 10 MM	1

# **PARTS INDEX**

PART NO	BLOCK	PART NO	BLOCK
3310B-AAL-H90	F-1	14751-KTP-900	E-4
3310B-AAL-H90	F-1	14771-GB4-680	E-4
3340b-AAL-H01	F-19	14777-KN7-670	E-4
3340B-AAL-H01	F-19	14781-MA6-000	E-4
3345B-AAL-H01	F-19	15100-KTP-900	E-9
3345B-AAL-H01	F-19	15131-KPL-900	E-16
3370B-AAL-H01	F-20	15133-GFC-901	E-9
06427-KTP-900	F-10	15331-436-000	E-9
06427-KTP-900	F-11	15332-436-000	E-9
11100-KTP-900	E-7	15421-107-000	E-15
11102-GT8-B00	E-7	15426-KCW-880	E-15
11102-GT8-B00	E-15	15651-KTP-900	E-7
11200-KTP-900	E-15	16010-KVT-901	E-17
11203-GC7-300	E-15	16012-KTP-951	E-17
11211-KTP-900	E-2	16013-KRB-901	E-17
11220-GCC-000	E-14	16015-KTP-951	E-17
11230-KPL-900	E-11	16016-KPW-H01	E-17
11341-KTP-900	E-11	16022-KTP-901	E-17
11342-AAL-H00	E-11	16028-KPL-901	E-17
11344-GW3-980	E-11	16041-KPL-901	E-17
11345-GCC-000	F-23	16075-KPL-901	E-17
11346-KCW-870	F-23	16076-KPL-901	E-17
11361-KPL-900	E-7	16100-AAL-H00	E-17
11395-AAL-00099	E-11	16119-KPL-901	E-17
12101-KTP-900	E-6	16148-KPL-901	E-17
12191-KRP-980	E-6	16155-KPL-901	E-17
12200-KPL-901	E-3	16163-GFP-901	E-17
12204-KPL-P00	E-3	16165-KRP-761	E-17
12206-KPL-900	E-3	16201-AAL-00099	E-3
12209-GB4-685	E-4	16211-KPL-900	E-3
12211-KTP-901	E-3	16212-KTP-900	E-3
12251-KPL-840	E-3	16229-AAL-00099	E-3
12310-KPL-840	E-2	16950-KRP-980	F-13
12315-KTP-900	E-2	16952-KRP-980	F-13
12361-035-000	E-15	17110-KPL-840	E-3
12391-KTP-900A	E-2	17113-KPL-900	E-3
13000-KTP-900	E-16	17210-AAW-300	F-15
13011-KCC-942	E-16	17212-KTP-900	F-15
13012-KCC-942	E-16	17213-KTP-900	F-15
13013-KCC-942	E-16	17215-KRP-980	F-15
13014-KCC-942	E-16	17216-KTP-900	F-15
13015-KCC-942	E-16	17225-KTP-900H	F-15
13101-KPL-901	E-16	17234-KCC-940	F-15
13102-KPL-901	E-16	17235-KTP-900	F-15
13103-KPL-901	E-16	17245-KTP-900	F-15
13104-KPL-901	E-16	17253-KTP-900	F-15
13105-KPL-901	E-16	17316-611-000	F-15A
13111-087-000	E-16	17500-AAL-H00	F-13
13115-001-000	E-16	17505-KTP-900	F-13
14100-KTP-900	E-4	17515-KTP-900	F-13
14150-GCC-000	E-4	17525-KTP-900	F-13
14311-KPL-900	E-16	17620-KRP-980	F-13
14321-KPL-900	E-4	17622-GB7-900	F-15A
14401-KPL-900	E-5	17632-383-831	F-13
14431-GCC-000	E-4	17683-KPL-900	F-13
14451-GCC-000	E-4	17684-KPL-840	F-13
14461-GCC-000	E-4	17920-KTP-305	F-3
14510-KPL-900	E-5	17950-KPL-900	F-3
14520-KPL-840	E-5	18292-KTP-900	F-16
14531-GCC-000	E-5	18292-GY1-610	F-16
14560-KCW-880	E-5	18293-KTP-900	F-16
14611-KTP-900	E-5	18300-AAL-H00	F-16
14711-GCC-000	E-4	18318-KTP-950	F-16
14721-GCC-000	E-4	18319-KRP-900	F-16

<b>PART NO</b>	<b>BLOCK</b>	<b>PART NO</b>	<b>BLOCK</b>
18600-KPL-841	F-15A	31212-KTP-890	E-10
18640-KPL-900	E-3	31214-KTP-890	E-10
18645-KPL-900	E-3	31500-KRP-801	F-21
18651-KPL-840	F-15A	31600-KTP-890	F-22
18652-KPL-840	F-15A	31917-AAC-H00	E-3
18653-KPL-840	F-15A	32100-KTP-950	F-22
18805-KPL-900	F-14	32105-KTP-891	E-10
18807-KPL-900	F-14	32603-KPL-780	F-22
18812-KPL-900	F-14	32907-KPL-900	E-8
19510-KTP-900	E-8	32976-107-010	E-8
19610-KPL-840	E-1	33108-KRY-900	F-1
19621-KTP-900H	E-1	33120-AAL-H90	F-1
19623-KPL-900	E-1	33126-KTP-890	F-1
19625-KPL-840	E-1	33128-GFC-890	F-1
19631-KTP-900	E-1	33402-AAL-H01	F-19
19639-GBC-000	E-1	33405-AAL-H01	F-19
21200-KTP-900	E-14	33455-AAL-H01	F-19
21395-GFC-901	E-14	33701-AAL-H01	F-20
22100-KPL-900	E-13	33703-KTP-901	F-20
22102-AAL-400	E-12	33704-KTP-890	F-20
22105-KPL-900	E-12	33710-KTP-901	F-20
22109-KTP-900	E-12	33711-KAB-003	F-20
22110-KPL-900	E-12	33715-GB0-900	E-1
22121-KTP-900	E-12	33715-965-000	F-21
22131-KPL-900	E-12	33741-KST-920	F-14
22132-KPL-900	E-12	33753-AAL-H01	F-20
22350-KPL-900	E-13	34901-KSP-910	F-1
22401-KTP-901	E-13	34904-KTP-900	F-19
22535-KPL-901	E-13	34904-KTP-900	F-20
22804-148-000	E-13	34906-447-710	F-20
23100-AAW-001	E-13	34908-KVE-900	F-2
23205-KRP-982	E-13	34909-KVE-900	F-2
23224-KRP-980	E-13	35010-AAL-H00	F-22
23225-KPL-900	E-13	35100-AAL-H00	F-22
23226-KPL-900	E-13	35121-AAL-H00	F-22
23233-KPL-900	E-13	35122-AAL-H00	F-22
23237-KPL-900	E-13	35150-KTP-890	F-3
23238-KPL-900	E-13	35160-KTP-890	F-3
23411-KPL-900	E-14	35170-KTP-890	F-3
23421-GCC-000	E-14	35180-KTP-890	F-3
23422-GCC-000	E-14	35200-KTP-890	F-3
23430-KPL-901	E-14	35340-KTP-890	F-3
28120-KPL-901	E-10	37080-KTP-890	F-13
28150-KPL-900	E-10	37200-AAL-H51	F-2
28223-GCC-000	E-12	37210-AAL-H51	F-2
28230-KVT-900	E-12	37211-KTP-890	F-2
28250-KVT-900	E-12	37216-KCJ-710	F-2
28253-KVT-900	E-12	37220-AAL-H90	F-2
28255-KPL-900	E-12	37224-KTP-951	F-2
28281-GCC-000	E-12	37305-GW3-780	F-2
28300-KVT-900	F-17	37801-GA7-700	F-13
30158-GW3-980	F-3	37802-GA7-700	F-13
30401-AAL-00099	F-22	37805-KG8-000	F-13
30410-AAL-00099	F-22	38110-KTP-890	F-22
30510-AAL-00099	F-22	38301-KTP-890	F-22
30604-KTP-890	F-22	38306-GE7-000	F-22
30605-KTP-950	F-22	38501-KTP-890	F-22
30700-KTP-950	F-22	38506-KPL-900	F-22
31110-KTP-890	E-8	42610-KPL-900	F-11
31120-KTP-890	E-8	42650-KPL-900	F-11
31204-KTP-890	E-10	42702-KPL-900	F-10
31206-KTP-890	E-10	42702-KPL-900	F-11
31210-KTP-890	E-10	42711-KRP-901	F-10
31211-KTP-890	E-10	42711-KRP-901	F-11



<b>PART NO</b>	<b>BLOCK</b>	<b>PART NO</b>	<b>BLOCK</b>
43141-KTP-900	F-11	51486-KRP-981	F-9
43410-KPL-840	F-11	51500-KRP-982	F-9
43450-KTP-900	F-3	51510-KRP-981	F-9
43472-KPL-900	F-11	51516-GC8-003	F-9
44301-KPL-900	F-10	52400-KTP-901	F-18
44311-KPL-900	F-10	52475-KRP-981	F-9
44610-KTP-900	F-10	52485-088-901	F-18
44620-KTP-900	F-10	52486-GA7-003	F-18
44650-KTP-900	F-10	52489-331-003	F-9
44805-KTP-900	F-10	53100-AAL-400	F-4
44809-170-000	F-10	53140-KTP-900	F-3
44810-KTC-900	F-10	53166-KTP-900	F-3
44811-KPL-900	F-10	53167-KPL-900	F-3
44830-KTP-900	F-2	53168-KTP-900	F-3
44831-KTP-900	F-2	53172-KTP-900	F-3
45010-KTP-901	F-10	53173-KPL-900	F-3
45125-AAH-F0099	F-10	53175-KTP-900	F-3
45125-AAH-F0099	F-11	53178-KTP-900	F-3
45133-KCC-900	F-10	53181-KTP-950	F-3
45133-KCC-900	F-11	53182-GW3-980	F-3
45134-250-000	F-10	53183-GW3-980	F-3
45141-KTP-900	F-10	53206-KTP-900	F-4
45145-KPL-900	F-10	53207-AAL-H30ZA	F-4
45410-KPL-900	F-10	53207-AAL-H30ZB	F-4
45435-GB2-720	F-10	53207-AAL-H30ZC	F-4
45450-KTP-900	F-3	53207-AAL-H30ZE	F-4
50100-KTP-900	F-23	53207-AAL-H30ZF	F-4
50142-KPL-840	F-15A	53207-AAL-H30ZG	F-4
50301-KEM-900	F-9	53208-KTP-900	F-4
50302-KPL-900	F-9	53209-GAH-000	F-1
50306-KPL-900	F-9	53210-KTP-900	F-9
50330-KTP-950	F-21	53211-KEM-900	F-9
50338-KTP-950	F-21	53212-250-010	F-9
50352-GW0-730	F-23	53214-250-000	F-9
50355-KPL-900	F-23	53215-KPL-900	F-9
50500-KTP-900	F-17	53215-KTP-900	F-9
50501-KTP-900	E-11	61100-KTP-900ZAH	F-5
50503-GCC-000	F-17	61100-KTP-900ZC	F-5
50530-KTP-900	FOP-2	61100-KTP-900ZJ	F-5
50530-KTP-900	FOP-2	61100-KTP-950ZE	F-5
50536-KPL-900	FOP-2	61104-428-000	F-6
50621-KTP-900	F-7	61110-KTP-900	F-5
50710-KTP-900	F-7	64200-KTP-950ZA	F-6
50711-KTP-900	F-7	64200-KTP-950ZB	F-6
50712-KTP-900	F-7	64200-KTP-950ZC	F-6
50715-KE8-000	F-7	64200-KTP-950ZD	F-6
50715-KTP-900	F-7	64200-KTP-950ZE	F-6
50731-KV3-770	F-15	64200-KTP-950ZF	F-6
51103-KTP-900	F-9	64200-KTP-950ZG	F-6
51104-KTP-900	F-9	64200-KTP-950ZH	F-6
51105-AAL-100	F-9	64200-KTP-950ZJ	F-6
51314-KPL-900	F-9	64303-KTP-900	F-6
51315-KPL-900	F-9	64305-KTP-900ZC	F-6
51316-KPL-900	F-9	64305-KTP-900ZJ	F-6
51334-KPL-900	F-9	64305-KTP-950ZE	F-6
51400-KRP-982	F-9	64310-198-D20A	F-6
51401-KRP-981	F-9	64310-KTP-900	F-7
51410-KRP-981	F-9	64320-KTP-900ZC	F-7
51413-GC8-003	F-9	64320-KTP-900ZJ	F-7
51414-GC8-003	F-9	64320-KTP-950ZE	F-7
51415-KPL-900	F-9	64330-KTP-950ZA	F-7
51421-KRP-981	F-9	64330-KTP-950ZC	F-7
51458-GC8-003	F-9	64330-KTP-950ZE	F-7
51486-GC8-003	F-9	64350-KTP-950ZB	F-6

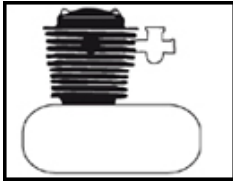
<b>PART NO</b>	<b>BLOCK</b>	<b>PART NO</b>	<b>BLOCK</b>
64350-KTP-950ZD	F-6	83551-GE2-000	F-7
64350-KTP-950ZF	F-6	83701-KTP-900	F-8
64350-KTP-950ZG	F-6	83702-KTP-950ZE	F-8
64350-KTP-950ZH	F-6	83702-KTP-H00ZA	F-8
64350-KTP-950ZJ	F-6	83702-KTP-900ZC	F-8
64360-KTP-950ZB	F-7	83702-KTP-900ZE	F-8
64360-KTP-950ZD	F-7	83702-KTP-900ZF	F-8
64360-KTP-950ZF	F-7	83702-KTP-900ZG	F-8
64360-KTP-950ZG	F-7	83702-KTP-900ZH	F-8
64360-KTP-950ZH	F-7	84701-P26-D00A	F-14
64360-KTP-950ZJ	F-7	84703-425-000	F-6
64370-KTP-950ZB	F-7	86102-KTP-950ZA	F-26
64370-KTP-950ZD	F-7	86102-KTP-950ZB	F-26
64370-KTP-950ZF	F-7	86102-KTP-950ZC	F-26
64370-KTP-950ZG	F-7	86102-KTP-950ZD	F-26
64370-KTP-950ZH	F-7	86102-KTP-950ZE	F-26
64370-KTP-950ZJ	F-7	86102-KTP-950ZF	F-26
75582-KCW-870	F-8	86102-KTP-950ZG	F-26
77115-KTP-900	F-12	86103-KTP-950ZA	F-26
77200-AAL-H00	F-12	86103-KTP-950ZB	F-26
77206-KG8-900	F-12	86103-KTP-950ZC	F-26
77210-KTP-900	F-12	86103-KTP-950ZD	F-26
77235-KPL-900	F-12	86103-KTP-950ZE	F-26
77236-GBL-000	F-12	86103-KTP-950ZF	F-26
77239-AAL-H00	F-22	86103-KTP-950ZG	F-26
77240-KTP-900	F-12	86211-KTP-950ZA	F-26
77241-KRP-900	F-8	86211-KTP-950ZB	F-26
77251-KPL-900	F-12	86211-KTP-950ZC	F-26
77300-KTP-930ZC	F-23	86211-KTP-950ZD	F-26
77300-KTP-930ZA	F-23	86211-KTP-950ZE	F-26
77300-KTP-930ZJ	F-23	86211-KTP-950ZF	F-26
77300-KTP-950ZE	F-23	86211-KTP-950ZG	F-26
80102-KTP-900	F-23	86211-KTP-950ZH	F-26
80104-KTP-900	F-14	86221-KTP-950ZA	F-26
80105-KTP-900	F-14	86221-KTP-950ZB	F-26
80106-KTP-900	F-14	86221-KTP-950ZC	F-26
80151-KTP-900	F-8	86221-KTP-950ZD	F-26
81131-KTP-900	F-6	86221-KTP-950ZE	F-26
81132-KTP-900	F-6	86221-KTP-950ZF	F-26
81250-KTP-900	F-12	86231-KTP-950ZA	F-26
81251-KTP-900	F-23	86231-KTP-950ZB	F-26
81252-KTP-900	F-12	86231-KTP-950ZC	F-26
81255-KTP-900	F-12	86231-KTP-950ZD	F-26
82871-KTP-900	E-1	86231-KTP-950ZE	F-26
83450-KTP-950ZA	F-8	86231-KTP-950ZF	F-26
83450-KTP-950ZB	F-8	86321-KTP-950ZA	F-26
83450-KTP-950ZC	F-8	86321-KTP-950ZB	F-26
83450-KTP-950ZD	F-8	86321-KTP-950ZC	F-26
83450-KTP-950ZE	F-8	86321-KTP-950ZD	F-26
83450-KTP-950ZF	F-8	86321-KTP-950ZE	F-26
83450-KTP-950ZG	F-8	86321-KTP-950ZF	F-26
83450-KTP-950ZH	F-8	86331-KTP-950ZA	F-26
83450-KTP-950ZJ	F-8	86331-KTP-950ZB	F-26
83508-KPL-900	F-8	86331-KTP-950ZC	F-26
83520-KTP-900	FOP-1	86331-KTP-950ZD	F-26
83550-KTP-950ZA	F-8	86331-KTP-950ZE	F-26
83550-KTP-950ZB	F-8	86331-KTP-950ZF	F-26
83550-KTP-950ZC	F-8	86351-KTP-950ZA	F-26
83550-KTP-950ZD	F-8	86351-KTP-950ZB	F-26
83550-KTP-950ZE	F-8	86351-KTP-950ZC	F-26
83550-KTP-950ZF	F-8	86351-KTP-950ZD	F-26
83550-KTP-950ZG	F-8	86351-KTP-950ZE	F-26
83550-KTP-950ZH	F-8	86351-KTP-950ZF	F-26
83550-KTP-950ZJ	F-8	86361-KTP-950ZA	F-26

PART NO	BLOCK	PART NO	BLOCK
86361-KTP-950ZB	F-26	90116-KTP-900	F-6
86361-KTP-950ZC	F-26	90116-KTP-900	F-7
86361-KTP-950ZD	F-26	90116-KTP-900	F-8
86361-KTP-950ZE	F-26	90116-KTP-900	F-12
86361-KTP-950ZF	F-26	90117-KTP-900	F-7
86451-KTP-950ZA	F-26	90121-KTP-900	F-9
86451-KTP-950ZB	F-26	90134-GM8-000	F-3
86451-KTP-950ZC	F-26	90135-KGF-900	F-3
86451-KTP-950ZD	F-26	90164-KPL-900	F-22
86451-KTP-950ZE	F-26	90201-GCC-000	E-3
86451-KTP-950ZF	F-26	90202-KPL-900	E-13
86461-KTP-950ZA	F-26	90206-001-000	E-4
86461-KTP-950ZB	F-26	90301-KTP-900	F-14
86461-KTP-950ZC	F-26	90304-KPL-900	F-3
86461-KTP-950ZD	F-26	90304-KCS-920	F-4
86461-KTP-950ZE	F-26	90304-KCS-920	F-23
86461-KTP-950ZF	F-26	90304-KCS-920	FOP-2
87101-AAL-H30ZA	F-26	90305-KPL-900	F-11
87101-AAL-H30ZB	F-26	90306-KF0-000	F-10
87505-AAL-H20	F-25	90307-GJ6-000	F-1
87506-KTP-900	F-25	90308-KPL-840	F-16
87541-KTP-305	E-1	90309-KF0-000	F-9
87560-MZ0-670	F-25	90309-KF0-000	F-10
88110-AAL-H01ZA	F-3	90309-KF0-000	F-11
88110-AAL-H01ZB	F-3	90312-KTP-900	F-16
88110-AAL-H01ZE	F-3	90401-GCC-000	E-3
88110-AAL-H01ZF	F-3	90410-GCC-000	E-8
88113-KRP-901	F-3	90412-329-000	E-12
88120-AAL-H01ZA	F-3	90426-KBN-900	E-12
88120-AAL-H01ZB	F-3	90442-KPL-900	E-13
88120-AAL-H01ZE	F-3	90443-KPL-900	F-9
88120-AAL-H01ZF	F-3	90451-KVT-900	E-12
89102-538-000	F-24	90474-333-000	E-15
89103-538-000	F-24	90501-KPL-900	F-11
89216-KAG-910	F-24	90501-KC2-750	F-15A
89216-KTP-900	F-24	90505-KY4-900	F-23
89218-AAL-H00	F-24	90543-MV9-670	E-2
90001-KPL-900	E-9	90601-KPL-900	E-13
90005-KY7-000	E-5	90602-KPL-900	E-2
90008-KPL-900	E-15	90602-KPL-900	F-15
90012-333-000R	E-4	90603-KPL-900	E-13
90017-KPL-900	E-2	90608-KVT-901	E-12
90031-KPL-900	E-7	90662-KPL-901	F-22
90032-KPL-900	E-15	90672-KPL-901	E-1
90035-GW3-980	F-2	90672-KPL-901	F-23
90083-KRM-840	E-4	90677-KAN-961	F-6
90083-KRM-840	E-8	90677-KAN-961	F-7
90101-GJ6-000	F-1	90677-KAN-961	F-8
90101-087-720	F-9	90677-KAN-961	F-12
90105-KJ9-000	F-23	90677-KAN-961	F-20
90106-GCC-000	F-23	90683-GAZ-930	F-8
90109-SB6-000	F-8	90701-GF6-000	E-3
90109-KPL-900	FOP-2	90701-GF6-000	E-6
90110-KPL-900	F-10	90701-GF6-000	E-9
90110-KPL-900	F-11	90701-GF6-000	E-11
90111-KPL-900	F-5	90701-GF6-000	E-14
90111-KPL-900	F-6	90741-KPL-900	E-16
90111-KPL-900	F-7	90754-KPL-900	F-10
90111-KPL-900	F-14	90862-GCC-000	F-23
90112-KTP-900	F-11	90862-KTP-900	F-23
90112-KRP-900	F-12	90901-KPL-900	F-9
90113-KTP-900	F-5	90912-KPL-900	F-10
90115-KPL-900	F-3	91001-GCC-000	E-16
90116-KTP-900	F-4	91002-GCC-000	E-16

<b>PART NO</b>	<b>BLOCK</b>	<b>PART NO</b>	<b>BLOCK</b>
91004-AAL-00099	E-15	93903-34420	F-19
91006-GAZ-980	E-13	94001-12200-0S	E-12
91009-GW3-980	E-14	94021-08000-0S	FOP-1
91103-GAZ-980	E-13	94050-10000	E-8
91201-KPL-901	E-7	94050-10000	E-13
91202-KTP-900	E-15	94050-06000	F-6
91203-KPL-901	E-14	94050-06000	F-10
91204-KPL-901	E-15	94050-06000	F-12
91211-GK8-013	E-13	94050-06000	F-14
91253-KPL-900	F-10	94050-06000	F-15A
91255-KPL-901	E-14	94101-05000	F-6
91301-HM5-630	E-5	94101-06000	F-7
91302-001-020	E-15	94101-08000-0S	F-9
91304-GB0-910	E-3	94101-06000	F-14
91304-GB1-900	E-3	94101-06700	F-16
91306-105-690	E-5	94101-08000	FOP-1
91307-035-000	E-7	94102-10000	F-4
91307-639-000	E-7	94102-12000	F-17
91309-KTP-890	E-10	94103-05800	F-3
91351-642-000	E-13	94109-12000	E-7
91351-GR1-000	E-13	94201-16150	F-7
91351-KPL-900	F-9	94201-25250	F-17
91352-GAZ-930	F-2	94301-08200	E-7
91405-KPL-900	F-23	94520-32000	E-4
91462-KM7-910	F-15A	94520-52120	E-15
92000-06016-0A	F-14	95002-02120	E-2
92201-08032-0A	F-18	95002-02659	E-17
92800-12000-00	E-7	95002-02070	F-13
92900-06016-0B	E-3	95002-02080	F-13
93401-06020-00	F-3	95002-02130	F-15
93404-06020-00	E-1	95002-02070	F-15A
93404-06012-00	F-7	95005-35280-50	E-17
93404-06012-00	F-12	95005-14070-30	F-17
93404-06012-08	F-13	95014-71202	F-17
93404-06040-07	F-15	95015-81000	F-7
93404-06030-08	F-15A	95015-32001	F-10
93404-06016-07	F-16	95015-42000	F-10
93404-06012-00	F-20	95015-32001	F-11
93412-05012-08	E-10	95015-42000	F-11
93500-05010-1A	F-6	95018-40250	F-15
93500-04025-0G	F-15	95701-06025-00	E-3
93500-04025-0A	F-23	95701-06090-00	E-3
93600-05016-0G	F-8	95701-06022-00	E-5
93891-05025-07	F-4	95701-06022-00	E-7
93891-05028-07	F-6	95701-06055-00	E-7
93892-04006-08L	E-10	95701-06080-00	E-7
93892-04008-18	E-17	95701-06115-00	E-7
93892-04018-08L	E-17	95701-06016-00	E-8
93901-34120	E-9	95701-06030-00	E-14
93901-04012-00	F-1	95701-06040-00	E-14
93901-24410	F-19	95701-08012-00	E-15
93901-32320	F-20	95701-06025-00	F-6
93901-34510	F-20	95701-06032-00	F-10
93903-25380	E-1	95701-06012-00	F-15A
93903-34120	E-2	95701-08025-07	F-17
93903-34120	E-11	95701-06012-00	F-21
93903-24420	F-2	95701-06012-00	F-22
93903-25380	F-2	95701-06016-00	F-22
93903-34480	F-4	95701-08038-08	F-23
93903-34420	F-6	95801-10045-08	F-4
93903-34420	F-8	95801-08055-08	F-9
93903-24480	F-14	95801-10040-07	F-16
93903-25480	F-14	95801-10035-00	F-18
93903-25480	F-15	95801-08045-00	FOP-1

<b>PART NO</b>	<b>BLOCK</b>
96001-06025-07	E-1
96001-06014-00	E-2
96001-06016-00	E-3
96001-06030-00	E-3
96001-06016-00	E-8
96001-06022-00	E-8
96001-06035-00	E-10
96001-06035-00	E-11
96001-06070-00	E-11
96001-06010-07	F-16
96001-06018-00	F-22
96100-62010-00	E-14
96100-63010-00	E-14
96100-62010-00	E-15
96100-62020-00	E-15
96211-05000	F-9
96211-08000	F-9
98200-31000	F-22
99101-KPH-0780	E-17
99103-KTP-0380	E-17

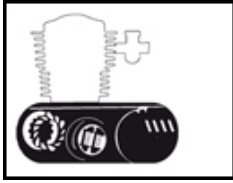
**BLOCK INDEX - GROUP Engine - Pleasure (July, 2012).**



E-1  
E-2  
E-3  
E-4  
E-5  
E-6

SHOURD / FAN COVER  
CYLINDER HEAD COVER  
CYLINDER HEAD  
CAM SHAFT / VALVE  
CAM CHAIN TENSIONER  
CYLINDER

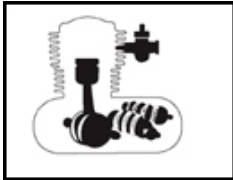
88  
2  
3  
4  
5  
6



E-7  
E-8  
E-9  
E-10  
E-11  
E-12

RIGHT CRANK CASE  
GENERATOR  
OIL PUMP  
STARTER MOTOR  
LEFT CRANK CASE COVER  
DRIVE FACE

7  
8  
9  
10  
11  
12

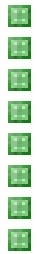


E-13  
E-14  
E-15  
E-16  
E-17

DRIVE FACE  
CASE MISSION / TRANSMISSION  
LEFT CRANKCASE  
CRANK SHAFT / PISTON  
CARBURETTOR

13  
14  
15  
16  
17

**BLOCK INDEX - GROUP Frame - Pleasure (July, 2012).**



F-1  
F-2  
F-3  
F-4  
F-5  
F-6  
F-7  
F-8

HEAD LIGHT  
METER  
HANDLE LEVER / SWITCH / CABLE  
STEERING HANDLE / HANDLE COVER / KEY SET  
FRONT FENDER  
FR. & INNER COVER  
FLOOR PANEL  
BODY COVER

18  
19  
20  
22  
23  
24  
26  
28



F-9  
F-10  
F-11

STRG. STEM / FR. FORK  
FRONT WHEEL  
REAR WHEEL

30  
32  
34



F-12  
F-13  
F-14  
F-15  
F-15A  
F-16  
F-17

SEAT / LUGGAGE BOX  
FUEL TANK  
REAR FENDER  
AIR CLEANER  
AIR SUCTION VALVE  
EXHAUST MUFFLER  
ARM KICK START / MAIN STAND

35  
36  
37  
38  
39  
40  
41



F-18  
F-19  
F-20  
F-21  
F-22

REAR CUSHION  
FRONT WINKER  
REAR COMBINATION LIGHT  
BATTERY  
WIRE HARNESS

42  
43  
44  
45  
46



F-23  
F-24  
F-25

FRAME BODY  
TOOLS  
CAUTION LABEL

48  
49  
50



F-26  
FOP-1  
FOP-2

STRIPE  
SARI STEP SET (OPTIONAL)  
STAND SET SIDE

51  
63  
64