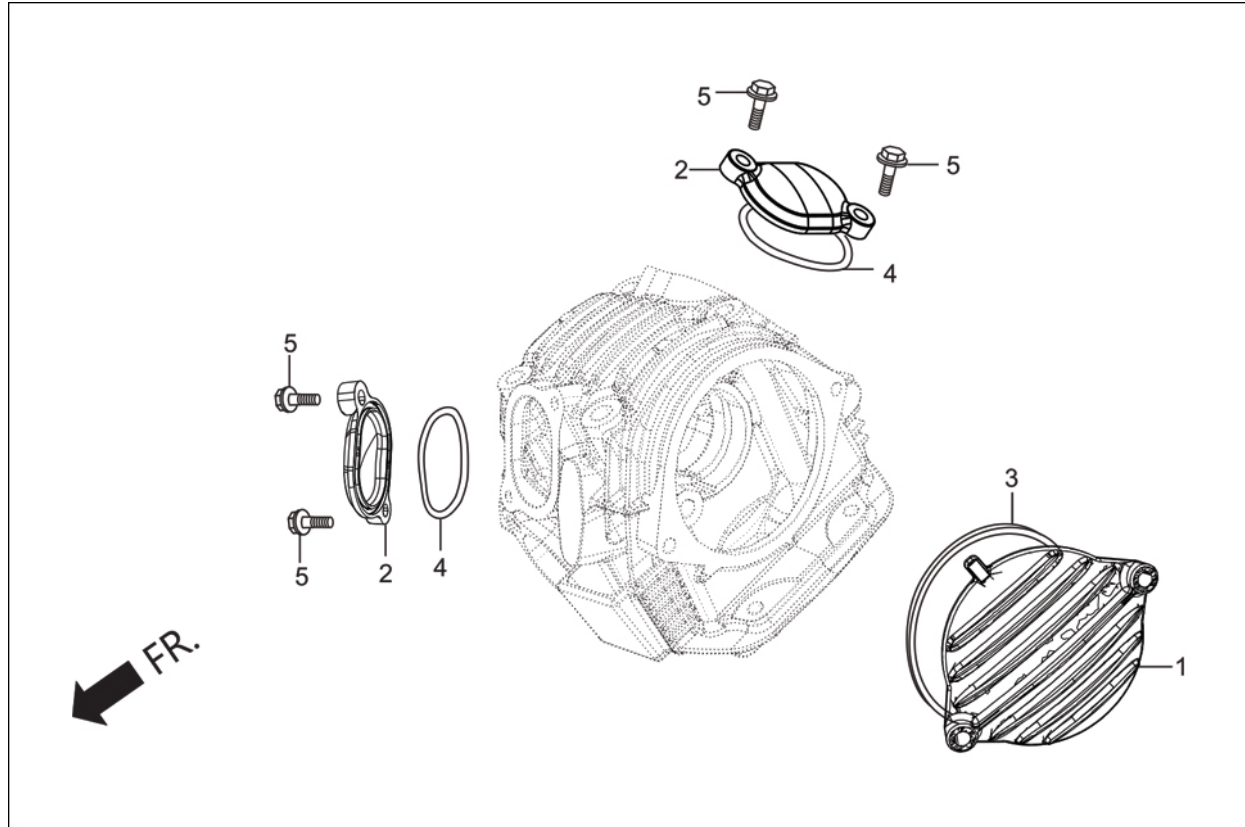


PARTS CATALOGUE

Ignitor 125 (May, 2017)

E-1 : COVER CYLINDER HEAD

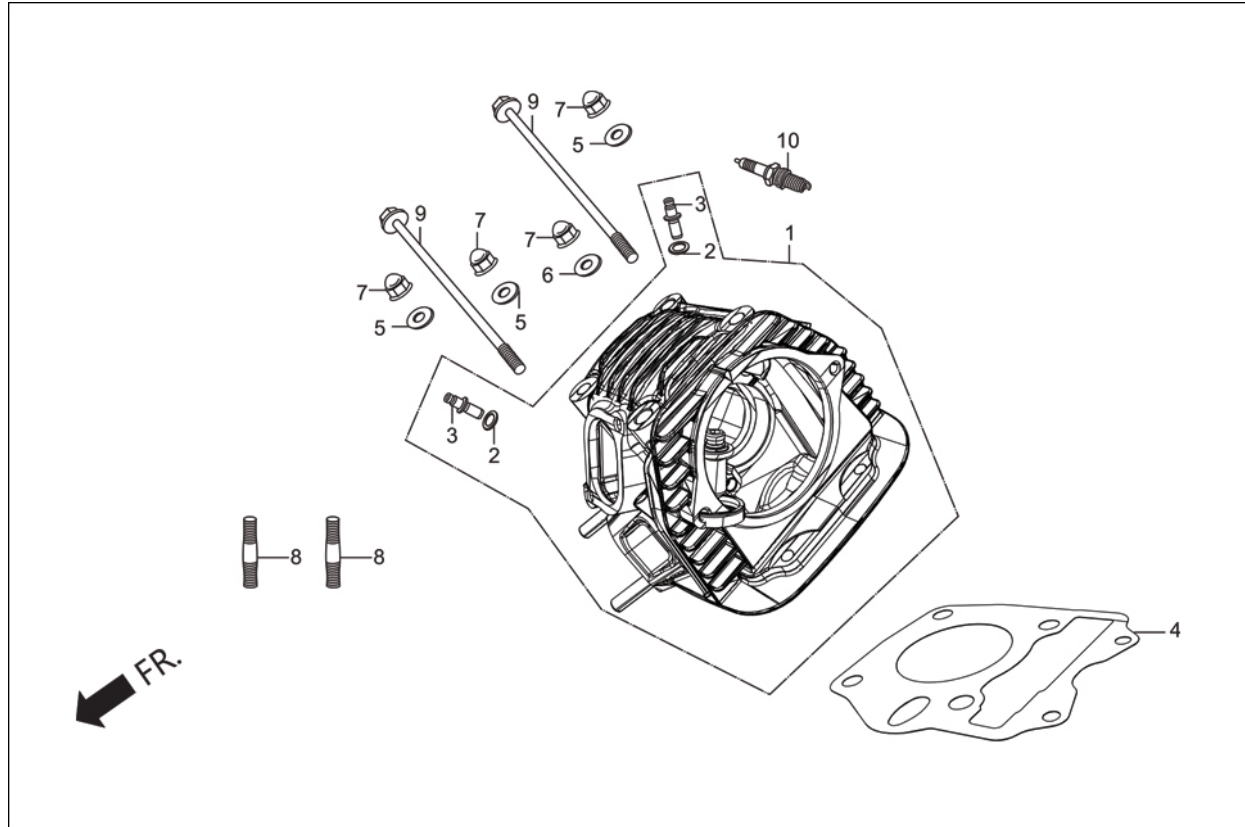


E-1 : COVER CYLINDER HEAD

Group Number: E-1 **Model ::** Ignitor 125 (May, 2017)

Ref No.	Part Number	Description	Req.
1	12341-AAN-410	COVER L CYLINDER HEAD SIDE	1
	12341-AAN-410	COVER L CYLINDER HEAD SIDE	1
2	12361-KTR-A00	COVER, TAPPET ADJUSTING HOLE.	2
	12361-KTR-A00	COVER, TAPPET ADJUSTING HOLE.	2
3	91301-AAN-410	O-RING 72X2.1	1
	91301-AAN-410	O-RING 72X2.1	1
4	91372-KPH-900	O-RING , TAPPET ADJUSTING	2
	91372-KPH-900	O-RING , TAPPET ADJUSTING	2
5	96001-06020-00	BOLT, FLANGE, SH. 6 X 20	4

E-1A : CYLINDER HEAD/SPARK, PLUG

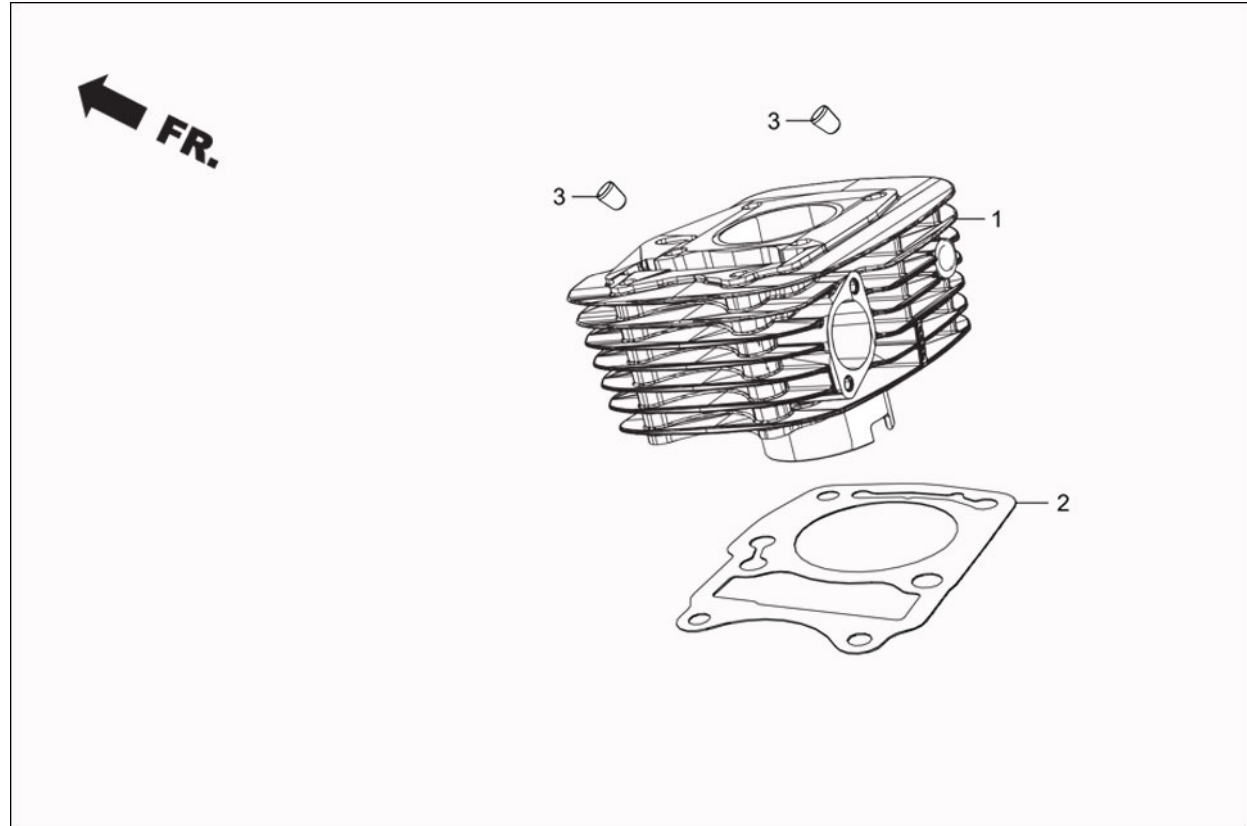


E-1A : CYLINDER HEAD/SPARK, PLUG

Group Number: E-1A Model :: Ignitor 125 (May, 2017)

Ref No.	Part Number	Description	Req.
1	12200-AAN-500	HEAD COMP. CYLINDER	1
	12200-AAN-500	HEAD COMP. CYLINDER	1
2	91305-028-150	O- RING, 9 X1.6	2
3	12237-AAT-305	GUIDE VALVE O/S	2
4	12251-AAN-410	GASKET, CYLINDER HEAD	1
	12251-AAN-410	GASKET, CYLINDER HEAD	1
5	90441-286-000	WASHER, SEALING, 8 MM	3
	90441-286-000	WASHER, SEALING, 8 MM	3
6	90441-ME9-000	WASHER, SEALING, 8 MM	1
	90441-ME9-000	WASHER, SEALING, 8 MM	1
7	90443-107-000	NUT, CAP, 8 MM	4
	90443-107-000	NUT, CAP, 8 MM	4
8	92900-08028-0E	BOLT, STUD, II 8 X 28	2
	92900-08028-0E	BOLT, STUD, II 8 X 28	2
9	96001-06095-00	BOLT, FLANGE, SH. 6 X 95	2
	96001-06095-00	BOLT, FLANGE, SH. 6 X 95	2
10	31916-KPH-90099	SPARK PLUG	1
	31916-KPH-90099	SPARK PLUG	1

E-1B : CYLINDER /CYLINDER HEAD

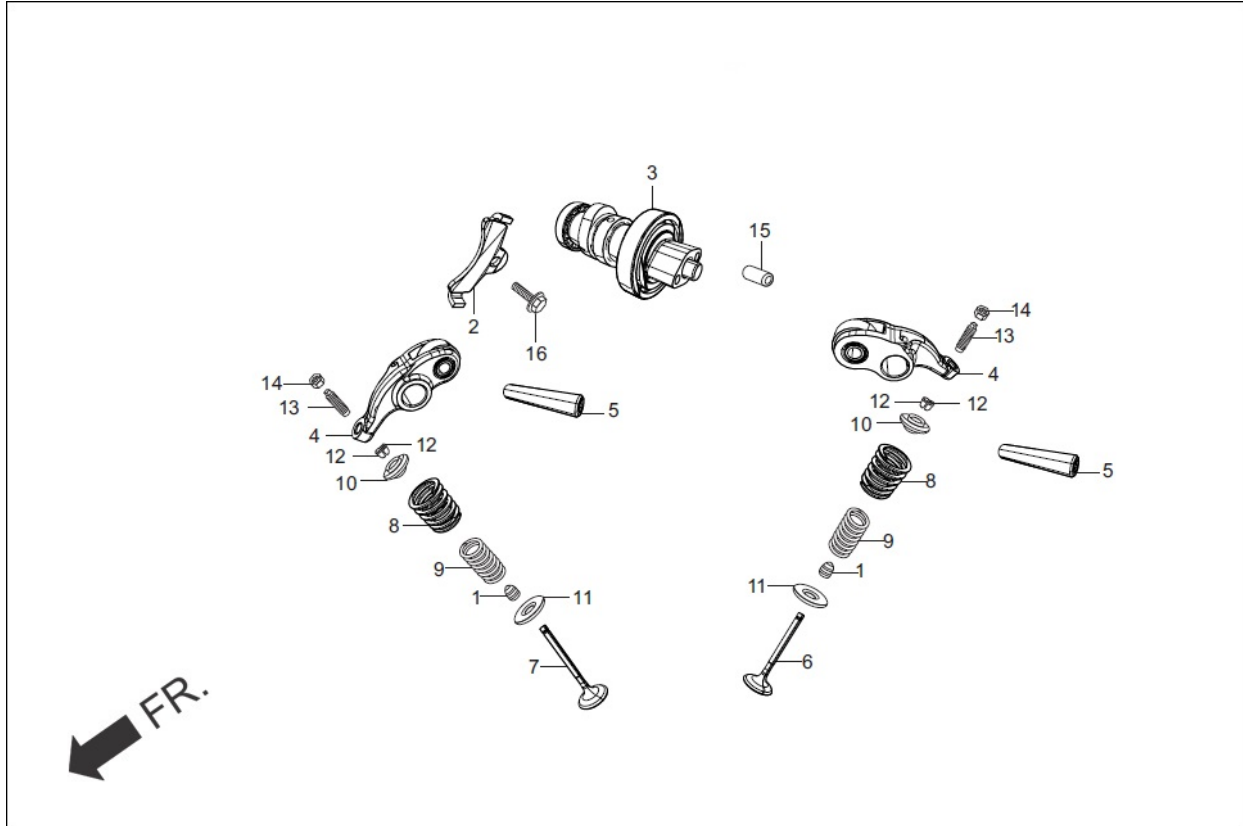


E-1B : CYLINDER /CYLINDER HEAD

Group Number: E-1B Model :: Ignitor 125 (May, 2017)

Ref No.	Part Number	Description	Req.
1	12100-AAN-410	CYLINDER COMP.	1
	12100-AAN-410	CYLINDER COMP.	1
2	12191-AAN-410	GASKET CYLINDER	1
	12191-AAN-410	GASKET CYLINDER	1
3	94301-10120	DOWEL PIN, 10X12	2
	94301-10120	DOWEL PIN, 10X12	2

E-1C : CYLINDER /CYLINDER HEAD/CAM SHAFT/VALVE



E-1C : CYLINDER /CYLINDER HEAD/CAM SHAFT/VALVE

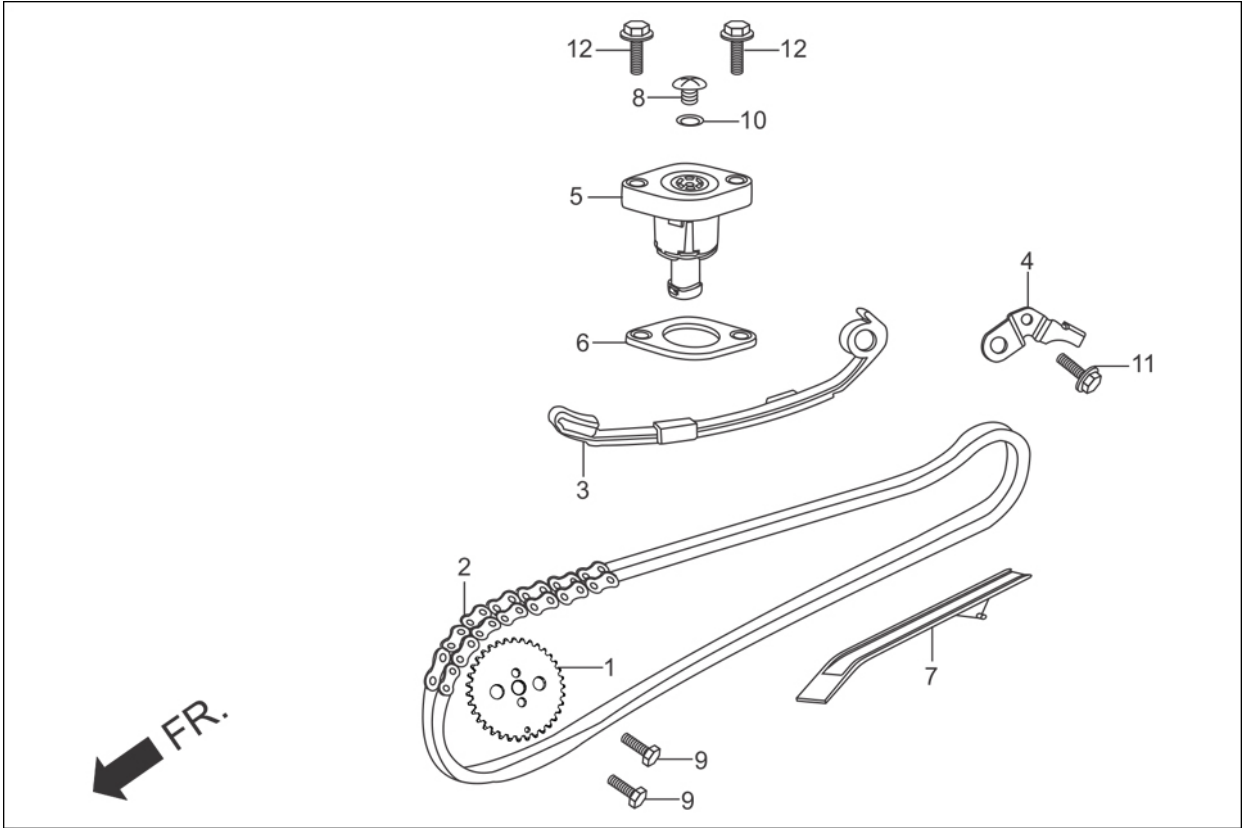
Group Number: E-1C Model :: Ignitor 125 (May, 2017)

Ref No.	Part Number	Description	Req.
1	12209-AAN-410	SEAL VALVE STEM	2
	12209-AAN-410	SEAL VALVE STEM	2
2	12211-AAN-410	PLATE STOPPER	1
	12211-AAN-410	PLATE STOPPER	1
3	14100-AAN-410	SHAFT COMP., CAM	1
	14100-AAN-410	SHAFT COMP., CAM	1
4	14430-AAT-000	ARM COMP, VALVE ROCKER	2
	14430-AAT-000	ARM COMP, VALVE ROCKER	2
5	14451-AAN-410	SHAFT ROCKER ARM	2
	14451-AAN-410	SHAFT ROCKER ARM	2
6	14711-AAT-00099	VALVE INLET	1
	14711-AAT-00099	VALVE INLET	1
7	14721-AAT-00099	VALVE EXHAUST	1
	14721-AAT-00099	VALVE EXHAUST	1
8	14751-AAN-410	SPRING VALVE OUTER	2
	14751-AAN-410	SPRING VALVE OUTER	2
9	14761-AAT-000	SPRING, VALVE INNER	2
	14761-AAT-000	SPRING, VALVE INNER	2
10	14771-AAT-000	RETAINER, VALVE SPRING	2
	14771-AAT-000	RETAINER, VALVE SPRING	2

E-1C : CYLINDER /CYLINDER HEAD/CAM SHAFT/VALVE

11	14775-MA6-000	SEAT, VALVE SPRING OUTER	2
	14775-MA6-000	SEAT, VALVE SPRING OUTER	2
12	14781-MA6-000	COTTER, VALVE	4
	14781-MA6-000	COTTER, VALVE	4
13	90012-333-000R	SCREW, TAPPET ADJUSTING	2
	90012-333-000R	SCREW, TAPPET ADJUSTING	2
14	90206-001-000	NUT, TAPPET ADJUSTING	2
	90206-001-000	NUT, TAPPET ADJUSTING	2
15	90702-GB6-910	PIN, DOWEL,8 X 12	1
	90702-GB6-910	PIN, DOWEL,8 X 12	1
16	95701-06012-00	BOLT, FLANGE, 6X12	1
	95701-06012-00	BOLT, FLANGE, 6X12	1

E-2 : CAM CHAIN TENSIONER



E-2 : CAM CHAIN TENSIONER

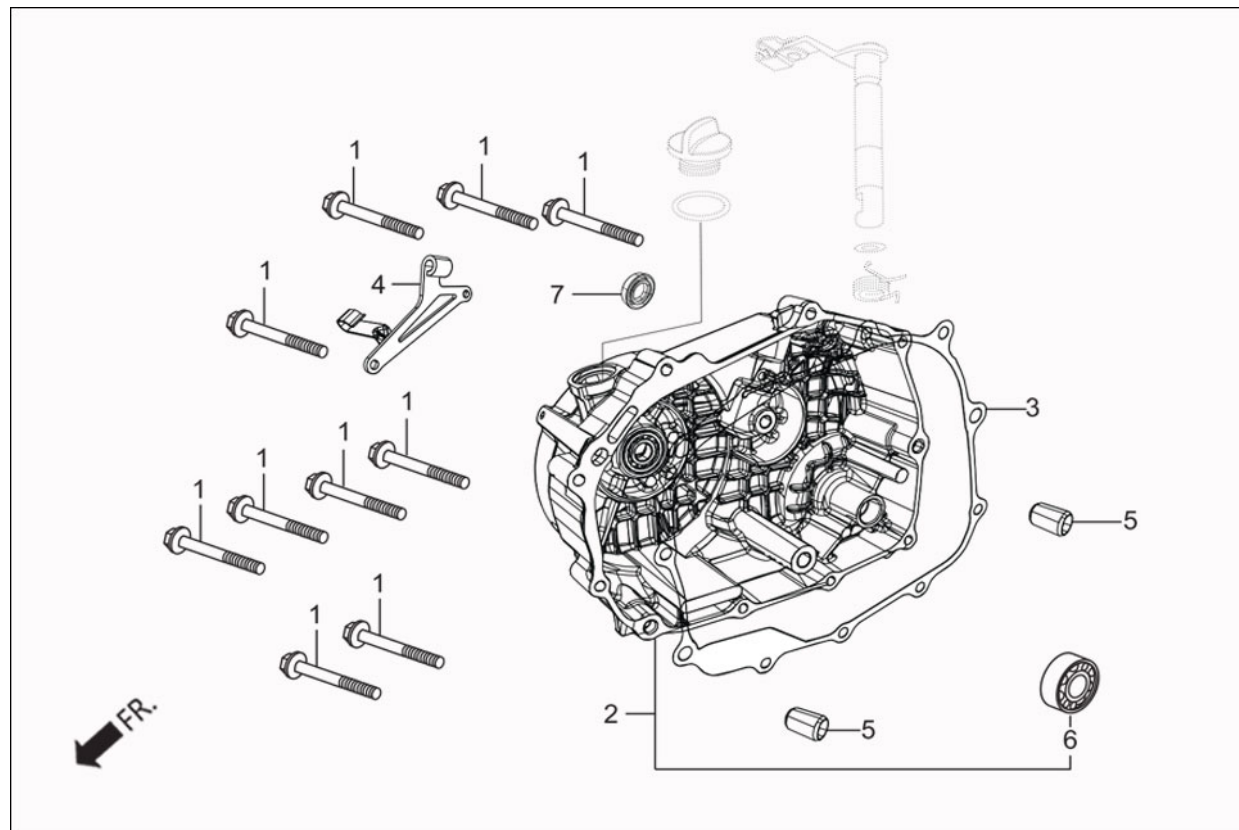
Group Number: E-2 **Model ::** Ignitor 125 (May, 2017)

Ref No.	Part Number	Description	Req.
1	14321-AAG-100	SPROCKET, CAM (34T)	1
	14321-AAG-100	SPROCKET, CAM (34T)	1
	14321-AAG-400	SPROCKET CAM	1
2	14401-AAG-00099	SILENT CHAIN ASSEMBLY	1
3	14510-KTC-901	TENSION ASSY. CAM CHAIN	1
	14510-KTC-901	TENSION ASSY. CAM CHAIN	1
4	14515-KTC-901	PLATE TENSIONER SET	1
	14515-KTC-901	PLATE TENSIONER SET	1
5	14520-AAN-410	LIFTER ASSY TENSIONER	1
	14520-AAN-410	LIFTER ASSY TENSIONER	1
6	14560-KSP-910	GASKET, TENSIONER LIFTER	1
	14560-KSP-910	GASKET, TENSIONER LIFTER	1
7	14610-KPH-900	GUIDE , CAM CHAIN	1
	14610-KPH-900	GUIDE , CAM CHAIN	1
8	90005-KY7-000	SCREW, PAN, 6X6	1
	90005-KY7-000	SCREW, PAN, 6X6	1
9	90083-KVH-900	BOLT, KNOCK, 5 MM	2
10	91306-MG3-000	O- RING, 1.5X9.5	1
	91306-MG3-000	O- RING, 1.5X9.5	1
11	96001-06012-00	BOLT,FLANGE,SH,,6 X 12	1

E-2 : CAM CHAIN TENSIONER

	96001-06012-00	BOLT,FLANGE,SH,.6 X 12	1
12	96001-06022-00	BOLT, FLANGE, SH. 6 X 22	2
	96001-06022-00	BOLT, FLANGE, SH. 6 X 22	2

E-3 : RIGHT CRANK CASE COVER

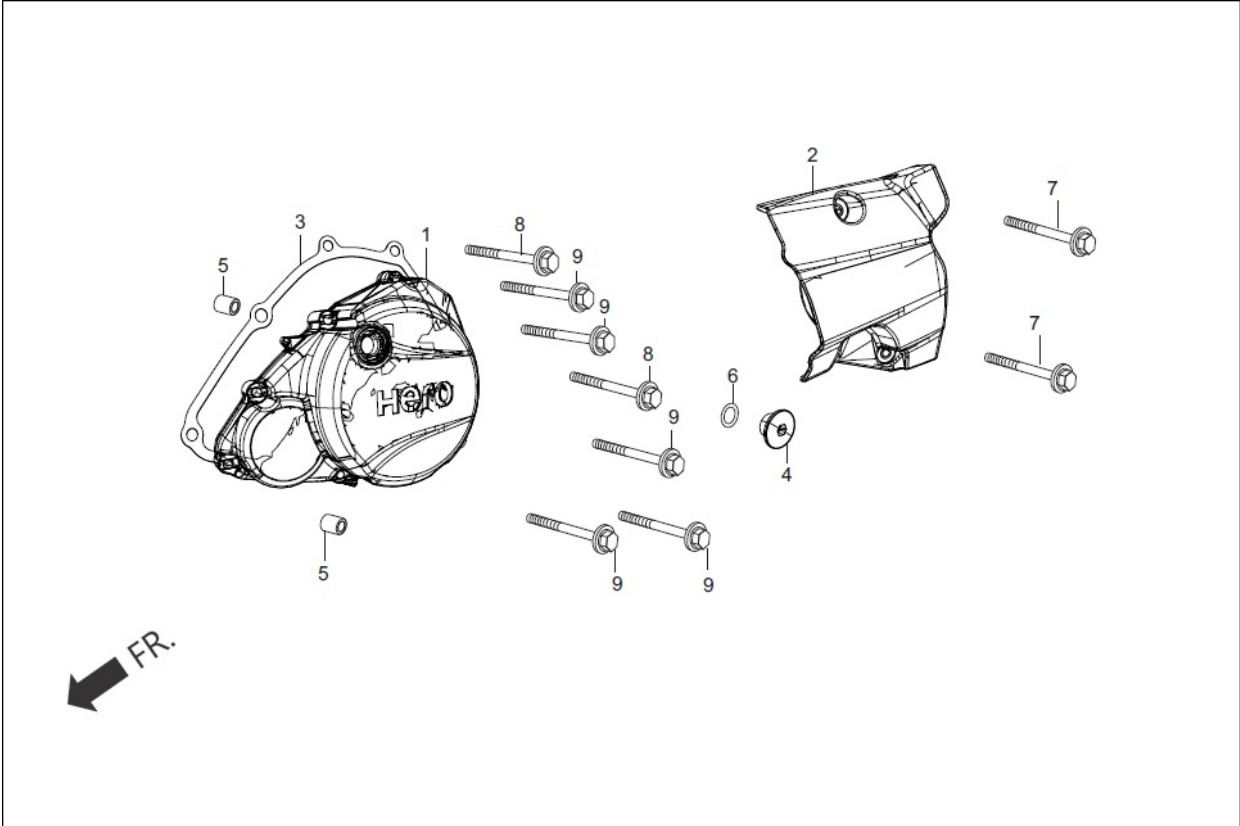


E-3 : RIGHT CRANK CASE COVER

Group Number: E-3 **Model ::** Ignitor 125 (May, 2017)

Ref No.	Part Number	Description	Req.
1	96001-06040-00	BOLT, FLANGE, SH. 6 X 40	10
	96001-06040-00	BOLT, FLANGE, SH. 6 X 40	10
2	11330-AAN-410	COVER COMP.R CRANK CASE	1
	11330-AAN-410	COVER COMP.R CRANK CASE	1
3	11394-AAN-410	GSKT , R CRANK CASE COVER	1
	11394-AAN-410	GSKT , R CRANK CASE COVER	1
4	22821-AAN-410	RECEIVER CLUTCH CABLE	1
	22821-AAN-410	RECEIVER CLUTCH CABLE	1
5	90702-GB6-910	PIN, DOWEL,8 X 12	2
	90702-GB6-910	PIN, DOWEL,8 X 12	2
6	91007-KPH-901	BRG., BALL RADIAL 6001 U SPL	1
	91007-KPH-901	BRG., BALL RADIAL 6001 U SPL	1
7	91204-MC7-003	OIL SEAL, 16 X 28 X 7	1
	91204-MC7-003	OIL SEAL, 16 X 28 X 7	1

E-3A : LEFT CRANK CASE COVER

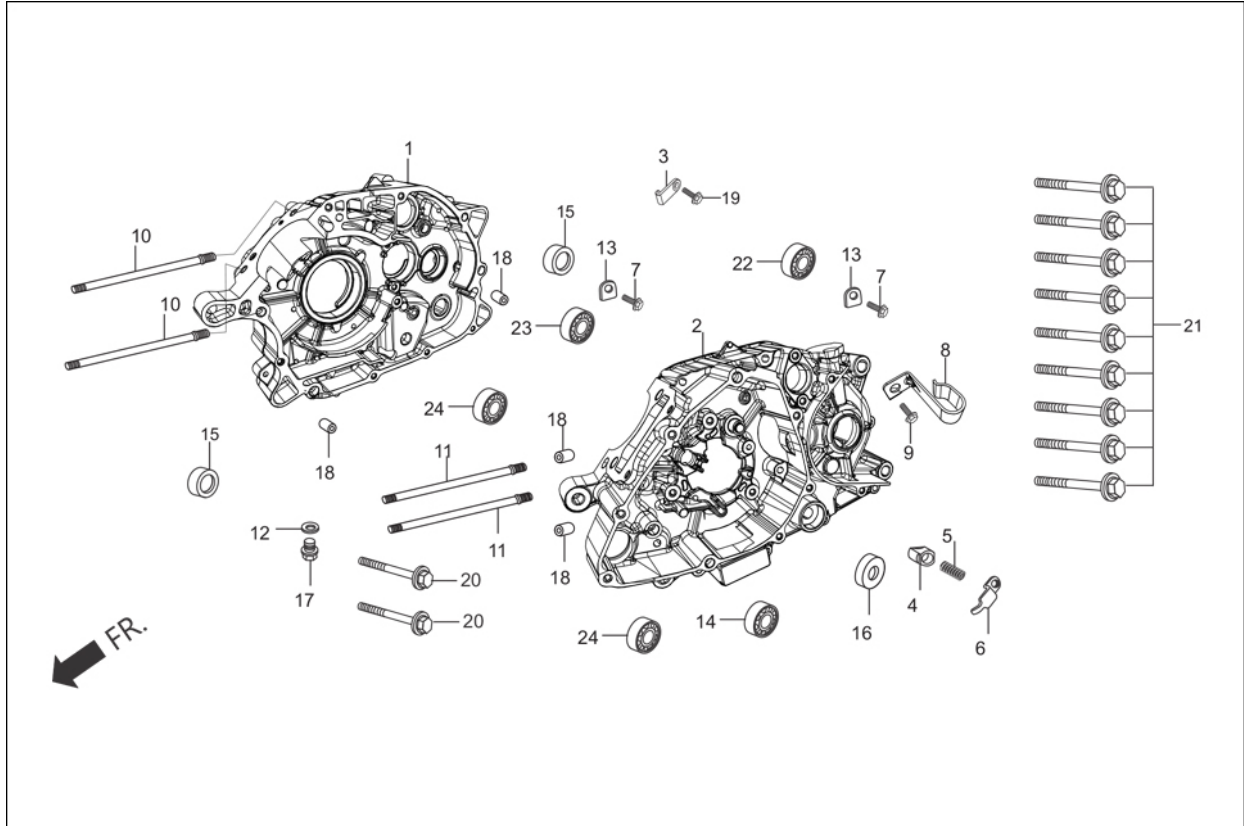


E-3A : LEFT CRANK CASE COVER

Group Number: E-3A Model :: Ignitor 125 (May, 2017)

Ref No.	Part Number	Description	Req.
1	11341-AAN-410	COVER LEFT CRANK CASE	1
	11341-AAN-410	COVER LEFT CRANK CASE	1
2	11360-AAN-410	COVER COMP, L REAR	1
	11360-AAN-410	COVER COMP, L REAR	1
3	11395-AAN-410	GSKT L CRANK CASE COVER	1
	11395-AAN-410	GSKT L CRANK CASE COVER	1
4	90084-KTC-A20	CAP, 14 MM	1
	90084-KTC-A20	CAP, 14 MM	1
5	90702-GB6-910	PIN, DOWEL,8 X 12	2
	90702-GB6-910	PIN, DOWEL,8 X 12	2
6	91303-377-000	O-RING, 13.8 X 2.5	1
	91303-377-000	O-RING, 13.8 X 2.5	1
7	96001-06025-00	BOLT, FLANGE, SH. 6 X 25	2
8	96001-06028-00	BOLT, FLANGE, SH. 6X28	2
9	96001-06035-00	BOLT, FLANGE, SH. 6 X 35	6
	96001-06035-00	BOLT, FLANGE, SH. 6 X 35	6

E-3B : CRANK CASE



E-3B : CRANK CASE

Group Number: E-3B Model :: Ignitor 125 (May, 2017)

Ref No.	Part Number	Description	Req.
1	11100-AAN-410	CRANK CASE COMP.RIGHT	1
	11100-AAN-410	CRANK CASE COMP.RIGHT	1
2	11200-AAN-410	CRANK CASE COMP. LEFT	1
	11200-AAN-410	CRANK CASE COMP. LEFT	1
3	11208-KTC-900	PLATE, BEARING SET	1
	11208-KTC-900	PLATE, BEARING SET	1
4	11215-KTC-901	PLUG, BRG. PUSH	1
	11215-KTC-901	PLUG, BRG. PUSH	1
5	11216-KTC-901	SPRING, BRG. PUSH	1
	11216-KTC-901	SPRING, BRG. PUSH	1
6	11217-KTC-901	PLATE, BRG. PUSH	1
	11217-KTC-901	PLATE, BRG. PUSH	1
7	15441-KTC-900A	BOLT, FLANGE 6 X 14 (PRE COATING)	2
	15441-KTC-900A	BOLT, FLANGE 6 X 14 (PRE COATING)	2
8	22822-AAN-410	BRACKET HARNESS MTG.	1
	22822-AAN-410	BRACKET HARNESS MTG.	1
9	90001-KTC-900	BOLT, FLANGE, SH. 6 X 16	1
	90001-KTC-900	BOLT, FLANGE, SH. 6 X 16	1
10	90031-KTC-900	BOLT STUD, CYL	2
	90031-KTC-900	BOLT STUD, CYL	2

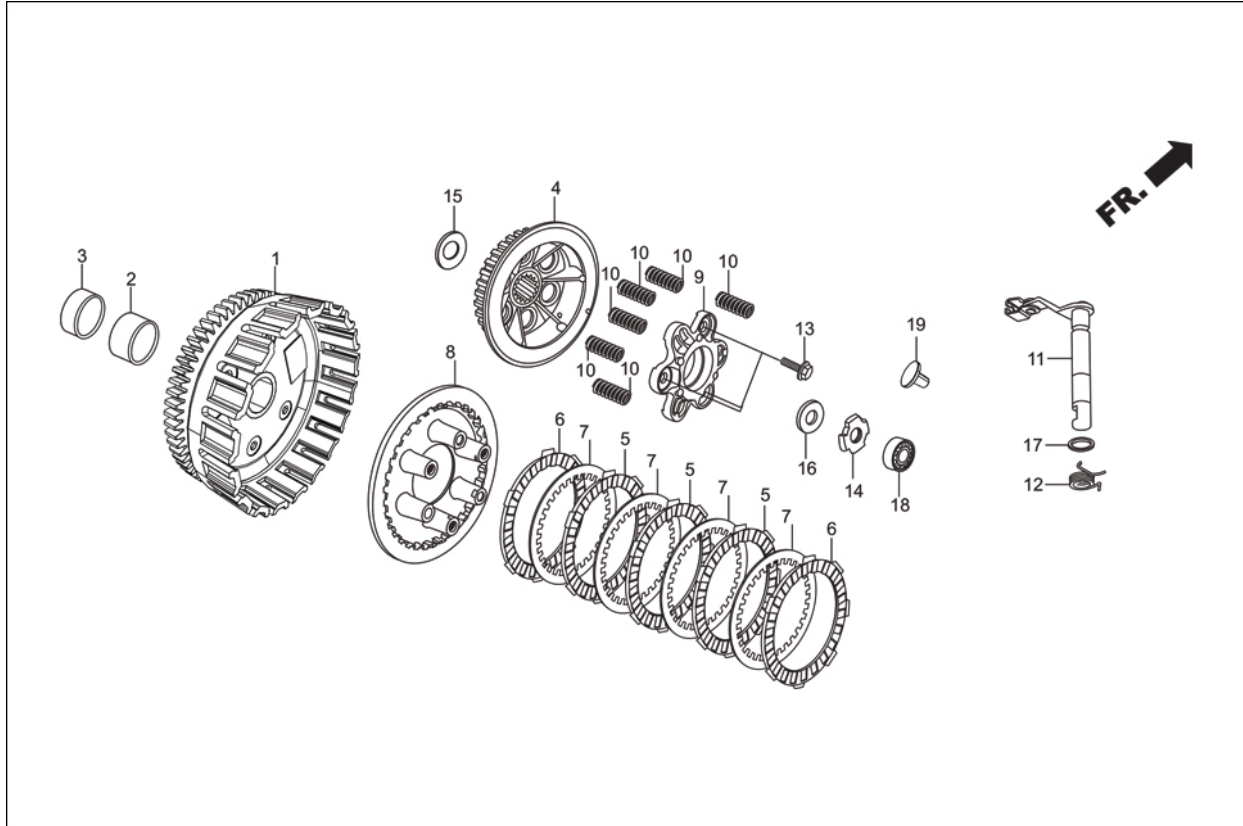
E-3B : CRANK CASE

11	90033-KTC-900	BOLT STUD, CYL	2
	90033-KTC-900	BOLT STUD, CYL	2
12	90407-259-000	DRAIN COCK PACKING	1
	90407-259-000	DRAIN COCK PACKING	1
13	90441-KRM-840	PLATE, BRG. HOLD	2
	90441-KRM-840	PLATE, BRG. HOLD	2
14	91001-KTC-900	BRG. ROLLER, 22 X 58 X 17	1
	91001-KTC-900	BRG. ROLLER, 22 X 58 X 17	1
15	91204-KPH-901	OIL SEAL, 17 X 30 X 5	2
	91204-KPH-901	OIL SEAL, 17 X 30 X 5	2
16	91208-KPH-901	OIL SEAL, 11.6 X 24 X 10	1
	91208-KPH-901	OIL SEAL, 11.6 X 24 X 10	1
17	92800-12000-00	DRAIN PLUG BOLT	1
	92800-12000-00	DRAIN PLUG BOLT	1
18	94301-10120	DOWEL PIN, 10X12	4
	94301-10120	DOWEL PIN, 10X12	4
19	95701-06016-00	BOLT, FLANGE, 6X16	3
	95701-06016-00	BOLT, FLANGE, 6X16	3
20	96001-06055-00	BOLT FLANGE SH 6X55	2
	96001-06055-00	BOLT FLANGE SH 6X55	2
21	96001-06060-00	BOLT, FLANGE, SH. 6 X 60	9
22	96100-60010-00	BEARING , RADIAL BALL , 6001	1

E-3B : CRANK CASE

	96100-60010-00	BEARING , RADIAL BALL , 6001	1
23	96100-62010-00	BEARING, RADIAL BALL, 6201	1
	96100-62010-00	BEARING, RADIAL BALL, 6201	1
24	96100-62030-00	BEARING, RADIAL BALL, 6203	1
	96100-62030-00	BEARING, RADIAL BALL, 6203	1

E-4 : CLUTCH ASSY.



E-4 : CLUTCH ASSY.

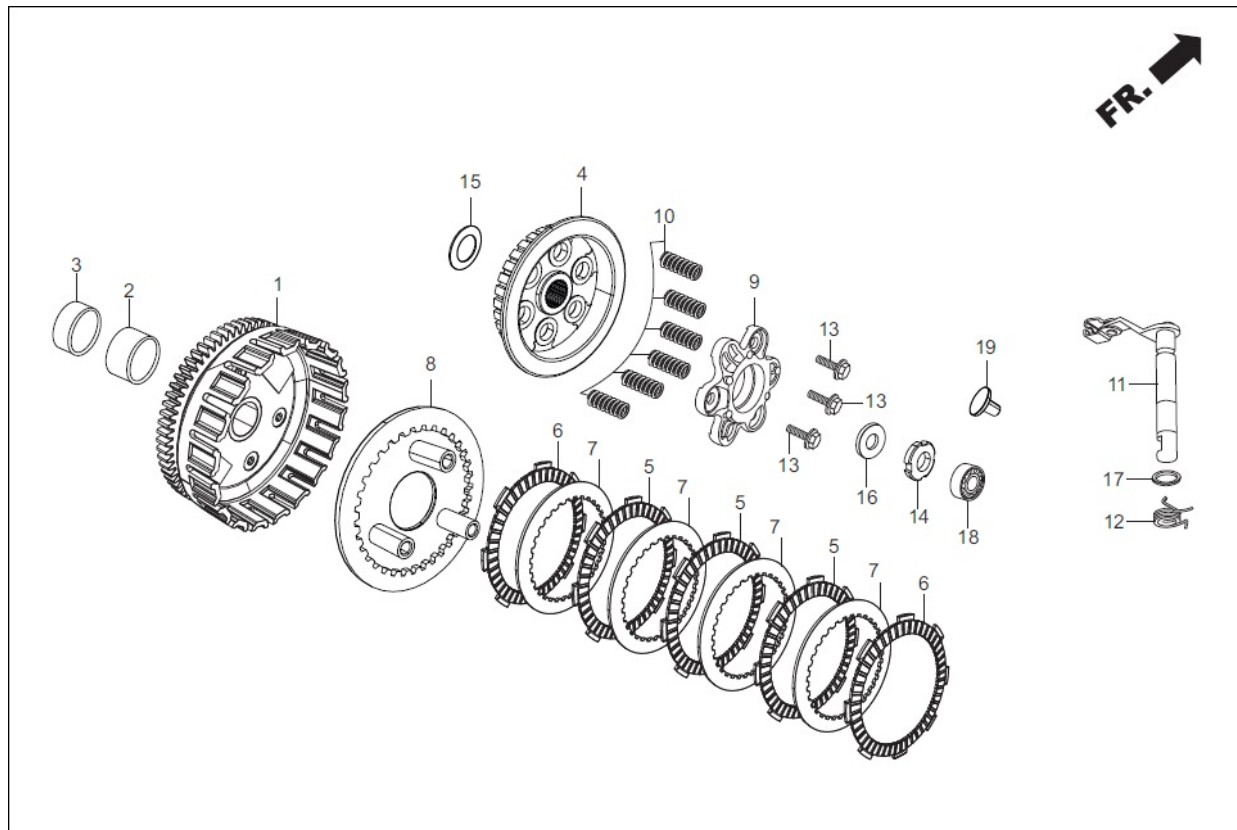
Group Number: E-4 Model :: Ignitor 125 (May, 2017)

Ref No.	Part Number	Description	Req.
1	22100-AAG-000	OUTER, COMP. CLUTCH	1
2	22115-KPG-T00	GUIDE, CLUTCH OUTER	1
	22115-KPG-T00	GUIDE, CLUTCH OUTER	1
3	22116-KPG-T00	COLLAR, CLUTCH OUTER	1
	22116-KPG-T00	COLLAR, CLUTCH OUTER	1
4	22120-KTC-900	CENTER, COMP. CLUTCH	1
5	22201-KPG-T00	DISC CLUTCH FRICTION	3
6	22205-KPG-T00	DISC B CLUTCH FRICTION	2
7	22321-KE8-000	PLATE,CLUTCH	4
8	22350-KPG-T00	PLATE, CLUTCH PRESSURE	1
9	22361-KPG-T00	PLATE, CLUTCH LIFTER	1
10	22401-KPH-900	SPRING, CLUTCH	6
11	22810-KTC-900	LEVER COMP., CLUTCH	1
	22810-KTC-900	LEVER COMP., CLUTCH	1
12	22815-166-000	SPRING, CLUTCH LEVER	1
	22815-166-000	SPRING, CLUTCH LEVER	1
13	90050-KPH-900	SPECIAL BOLT, FLANGE, 6 X 20	3
14	90231-KM7-700	NUT, LOCK, 14 MM	1
	90231-KM7-700	NUT, LOCK, 14 MM	1
15	90403-KPH-900	WASHER THRUST, 17 MM	1

E-4 : CLUTCH ASSY.

16	90501-GBL-730	WASHER ,14 MM	1
	90501-GBL-730	WASHER ,14 MM	1
17	91303-719-000	O-RING,9 MM	1
	91303-719-000	O-RING,9 MM	1
18	96100-62000-00	BRG.BALL RADIAL	1
	96100-62000-00	BRG.BALL RADIAL	1
19	22847-KCC-900	ROD, CLUTCH LIFTER	1
	22847-KCC-900	ROD, CLUTCH LIFTER	1

E-4A : CLUTCH



E-4A : CLUTCH

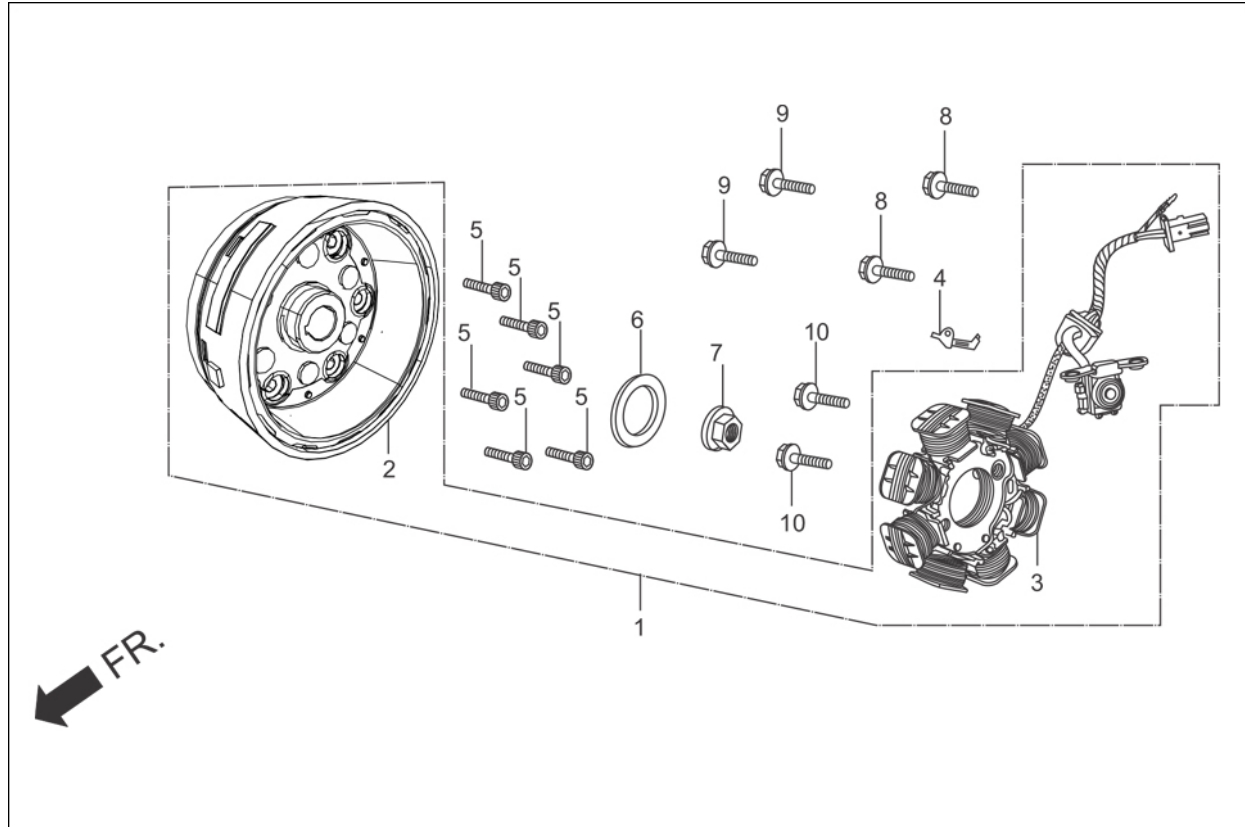
Group Number: E-4A Model :: Ignitor 125 (May, 2017)

Ref No.	Part Number	Description	Req.
1	22100-AAG-501	OUTER COMP CLUTCH	1
2	22115-KPG-T00	GUIDE, CLUTCH OUTER	1
	22115-KPG-T00	GUIDE, CLUTCH OUTER	1
3	22116-KPG-T00	COLLAR, CLUTCH OUTER	1
	22116-KPG-T00	COLLAR, CLUTCH OUTER	1
4	22121-AAG-501	CENTER CLUTCH	1
5	22205-AAG-501	DISK B CLUTCH FRICTION	3
6	22201-AAG-501	DISK A CLUTCH FRICTION	2
7	22321-AAG-501	PLATE, CLUTCH	4
8	22350-AAG-501	PLATE CLUTCH PRESSURE	1
9	22361-AAG-501	PLATE CLUTCH LIFTER	1
10	22401-AAG-501	SPRING CLUTCH	6
11	22810-KTC-900	LEVER COMP., CLUTCH	1
	22810-KTC-900	LEVER COMP., CLUTCH	1
12	22815-166-000	SPRING, CLUTCH LEVER	1
	22815-166-000	SPRING, CLUTCH LEVER	1
13	90050-KFL-850	SPECIAL BOLT FLANGE 6 X 25	3
14	90231-KM7-700	NUT, LOCK, 14 MM	1
	90231-KM7-700	NUT, LOCK, 14 MM	1
15	90403-AAG-501	WASHER THRUST	1

E-4A : CLUTCH

16	90501-GBL-730	WASHER ,14 MM	1
	90501-GBL-730	WASHER ,14 MM	1
17	91303-719-000	O-RING,9 MM	1
	91303-719-000	O-RING,9 MM	1
18	96100-62000-00	BRG.BALL RADIAL	1
	96100-62000-00	BRG.BALL RADIAL	1
19	22847-KCC-900	ROD, CLUTCH LIFTER	1
	22847-KCC-900	ROD, CLUTCH LIFTER	1

E-5 : A.C.GEN. ASSY. /STARTING CLUTCH (ELEC.)

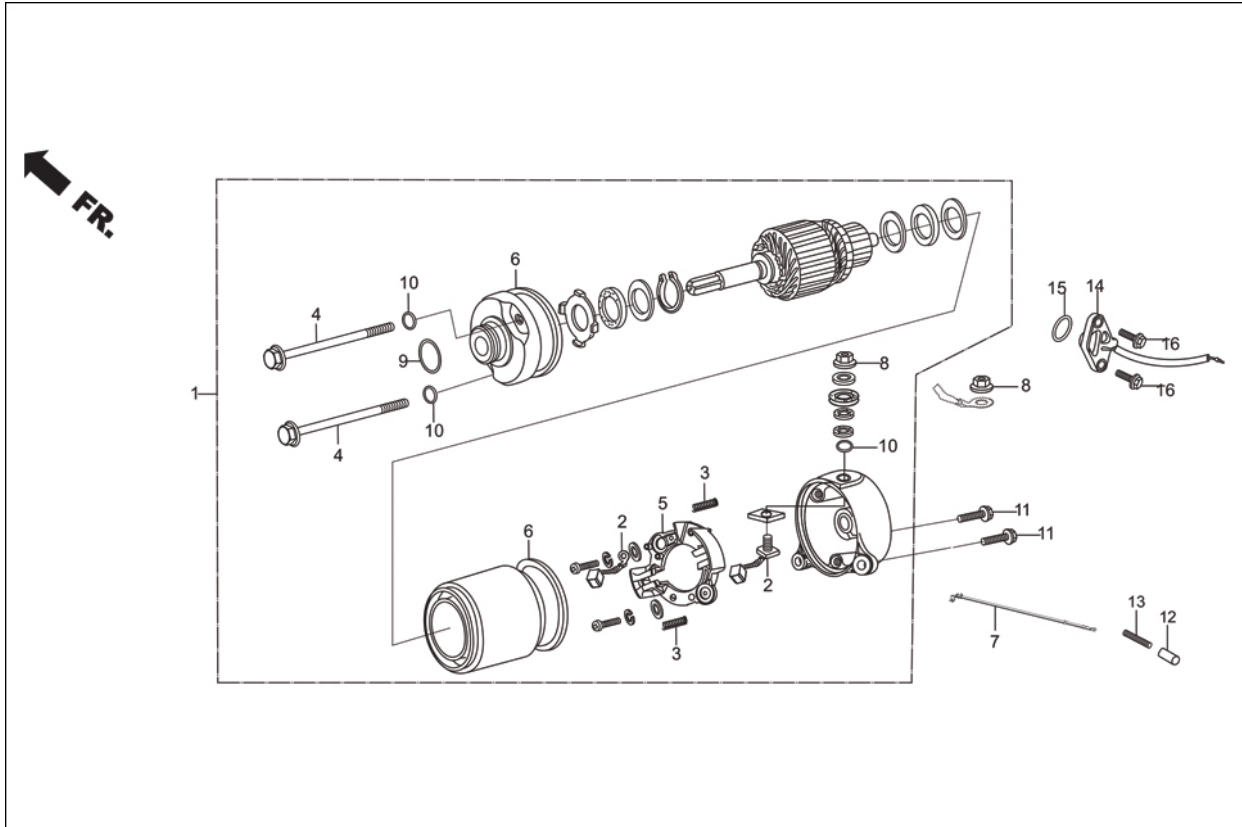


E-5 : A.C.GEN. ASSY. /STARTING CLUTCH (ELEC.)

Group Number: E-5 Model :: Ignitor 125 (May, 2017)

Ref No.	Part Number	Description	Req.
1	31100-AAN-411	AC GEN ASSY	1
2	31110-AAN-411	FLYWHEEL COMP	1
	31110-AAN-411	FLYWHEEL COMP	1
3	31120-AAN-411	STATOR COMP	1
	31120-AAN-411	STATOR COMP	1
4	32961-KPH-900	CLAMPER, ACG CORD	1
	32961-KPH-900	CLAMPER, ACG CORD	1
5	90085-KTC-920	BOLT, SOCKET, 6 X 14	6
	90085-KTC-920	BOLT, SOCKET, 6 X 14	6
6	90439-SB2-010	WASHER, 24 X 12 X 2.3	1
	90439-SB2-010	WASHER, 24 X 12 X 2.3	1
7	94050-12000	NUT, FLANGE, 12 MM	1
	94050-12000	NUT, FLANGE, 12 MM	1
8	96001-06016-00	BOLT, FLANGE SH. 6 X 16	2
9	96001-06020-00	BOLT, FLANGE, SH. 6 X 20	2
10	96001-06025-00	BOLT, FLANGE, SH. 6 X 25	2

E-5A : STARTER MOTOR ASSY. (ELEC.)



E-5A : STARTER MOTOR ASSY. (ELEC.)

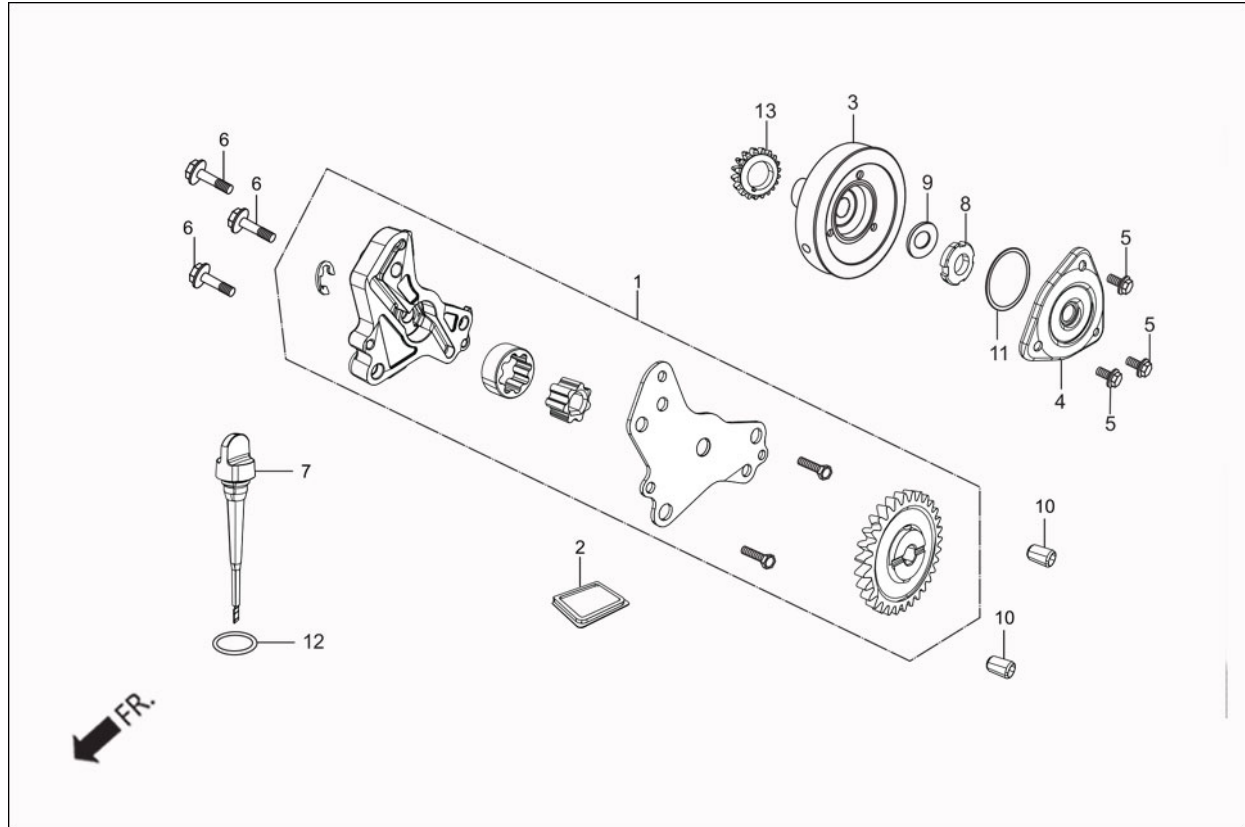
Group Number: E-5A Model :: Ignitor 125 (May, 2017)

Ref No.	Part Number	Description	Req.
1	31200-KTC-921	MOTOR ASSY., STARTER	1
	31200-KTC-921	MOTOR ASSY., STARTER	1
2	31201-KPT-A01	BRUSH, TERMINAL SET	1
3	31204-KG8-004	BRUSH, SPRING	2
4	31205-KTC-921	BOLT, SET	2
5	31206-KPH-881	BRUSH, HOLDER SET	1
6	31207-MBE-008	RING	2
7	32601-AAN-410	CABLE BATTERY EARTH	1
8	90071-MB0-000	NUT, WASHER, 6 MM	2
9	91309-425-003	O RING 24.4X3.1	1
10	91320-MB0-000	O RING	3
11	95701-06025-00	BOLT, FLANGE, 6X 25	2
12	35751-KPH-900	CAP, CONTACT CHANGE SW.	1
	35751-KPH-900	CAP, CONTACT CHANGE SW.	1
13	35752-KRM-840	SPRING, CONN. CHANGE SW.	1
	35752-KRM-840	SPRING, CONN. CHANGE SW.	1
14	35759-KTR-A01	CONTACT ASSY., CHANGE SWITCH	1
	35759-KTR-A01	CONTACT ASSY., CHANGE SWITCH	1
15	91305-KPH-900	O-RING,19.4 X 2.3	1
	91305-KPH-900	O-RING,19.4 X 2.3	1

E-5A : STARTER MOTOR ASSY. (ELEC.)

16	95701-06016-00	BOLT, FLANGE, 6X16	2
	95701-06016-00	BOLT, FLANGE, 6X16	2

E-6 : OIL PUMP



E-6 : OIL PUMP

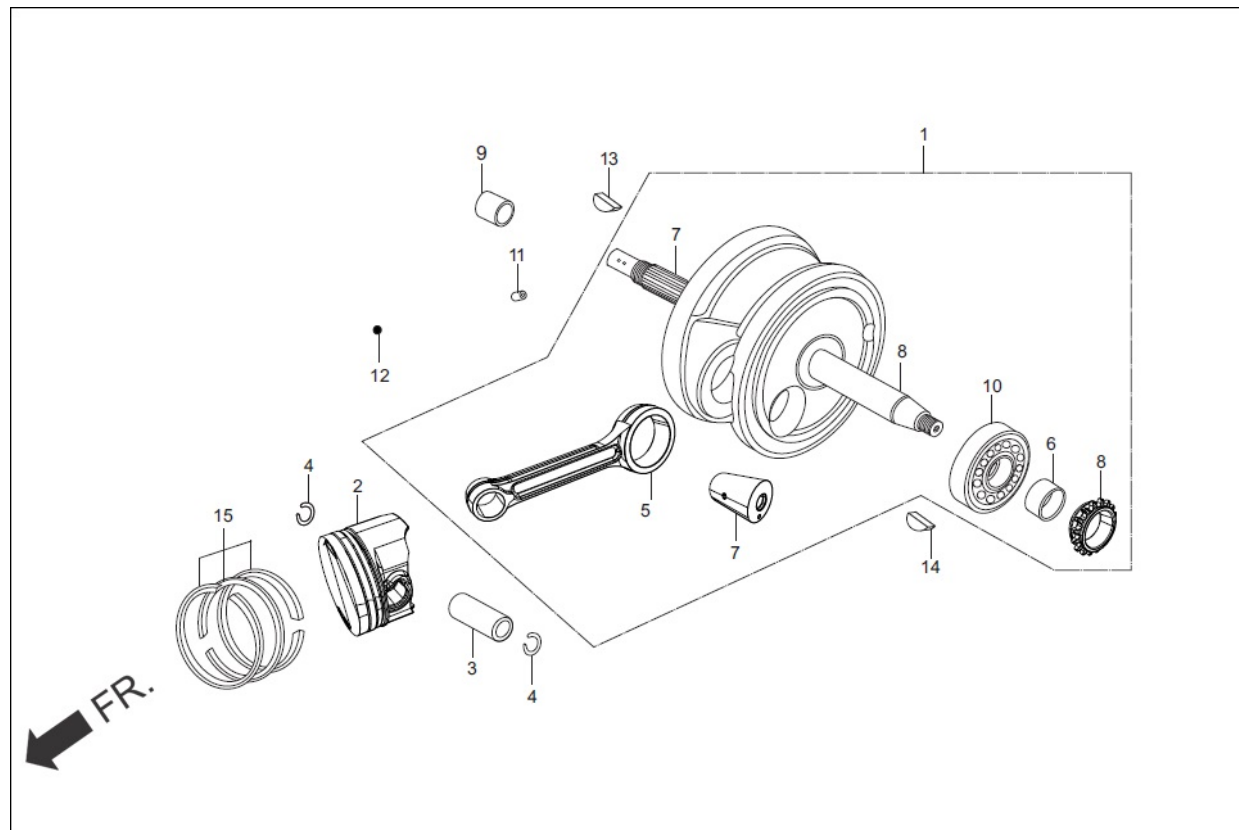
Group Number: E-6 **Model ::** Ignitor 125 (May, 2017)

Ref No.	Part Number	Description	Req.
1	15100-AAN-410	OIL PUMP ASSY	1
	15100-AAN-410	OIL PUMP ASSY	1
2	15421-035-010	SCREEN, OIL FILTER	1
	15421-035-010	SCREEN, OIL FILTER	1
3	15431-KTC-901	ROTOR, OIL FILTER	1
	15431-KTC-901	ROTOR, OIL FILTER	1
4	15441-KTC-900	COVER, OIL FILTER	1
	15441-KTC-900	COVER, OIL FILTER	1
5	15441-KTC-900A	BOLT, FLANGE 6 X 14 (PRE COATING)	3
	15441-KTC-900A	BOLT, FLANGE 6 X 14 (PRE COATING)	3
6	95701-06035-00	BOLT, FLANGE, 6X35	3
	95701-06035-00	BOLT, FLANGE, 6X35	3
7	15650-AAN-410	GAUGE, OIL LEVEL	1
	15650-AAN-410	GAUGE, OIL LEVEL	1
8	90231-087-010	NUT, LOCK, 14 MM	1
	90231-087-010	NUT, LOCK, 14 MM	1
9	90432-086-000	WASHER `B LOCK	1
	90432-086-000	WASHER `B LOCK	1
10	90702-GB6-910	PIN, DOWEL,8 X 12	2
	90702-GB6-910	PIN, DOWEL,8 X 12	2

E-6 : OIL PUMP

11	91301-KTC-900	O-RING 49.5 X 1.7	1
	91301-KTC-900	O-RING 49.5 X 1.7	1
12	91307-035-000	O-RING,18 X 3	1
	91307-035-000	O-RING,18 X 3	1
13	15341-KTC-900	GEAR, OIL PUMP DRIVE, (19T)	1
	15341-KTC-900	GEAR, OIL PUMP DRIVE, (19T)	1

E-7 : CRANK SHAFT/PISTON



E-7 : CRANK SHAFT/PISTON

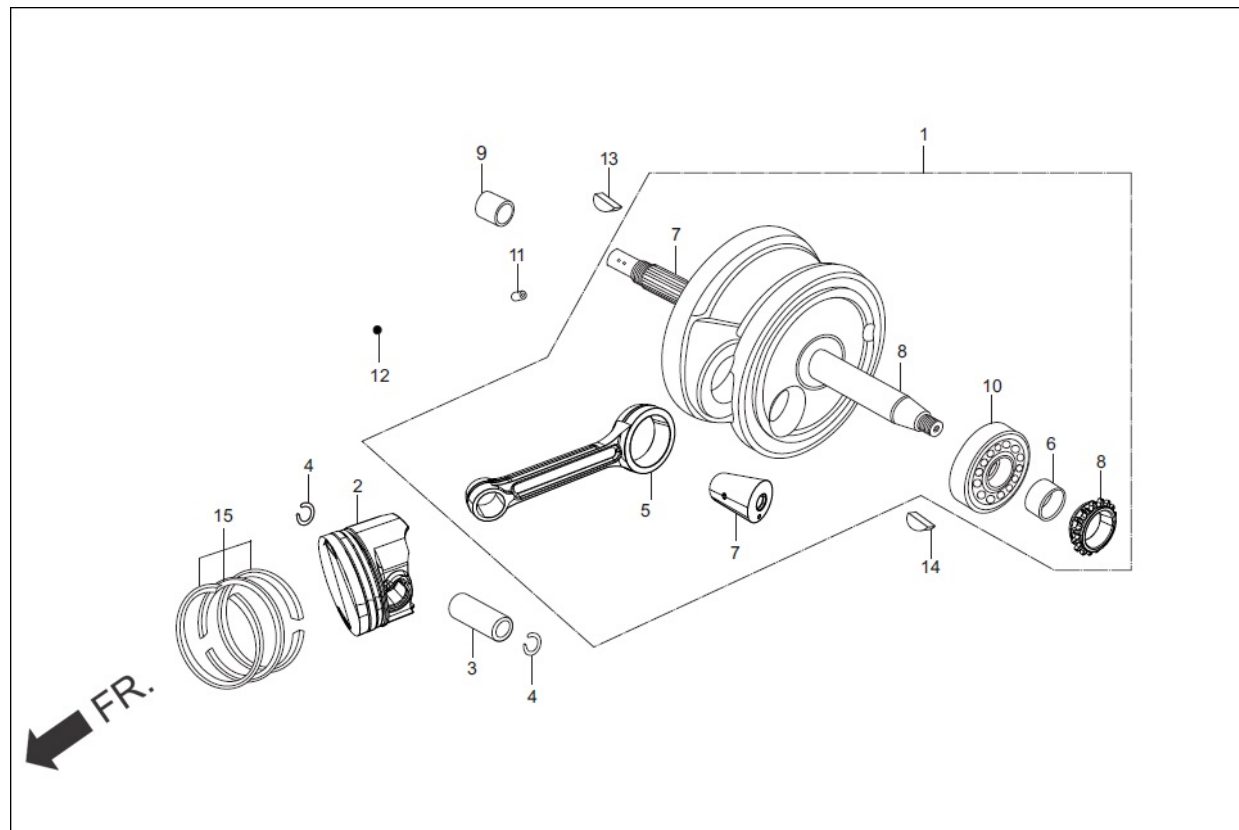
Group Number: E-7 Model :: Ignitor 125 (May, 2017)

Ref No.	Part Number	Description	Req.
1	13000-AAN-410	CRANK SHAFT COMP.	1
	13000-AAN-410	CRANK SHAFT COMP.	1
2	13101-AAN-410	PISTON	1
	13101-AAN-410	PISTON	1
3	13111-087-000	PIN, PISTON	1
	13111-087-000	PIN, PISTON	1
4	13115-001-000	CLIP, PISTON PIN	2
	13115-001-000	CLIP, PISTON PIN	2
5	13201-AAN-410	ROD CONNECTING	1
6	13322-KTC-900	COLLAR, CRANK SHAFT LEFT	1
7	13380-AAN-410	PIN COMP., CRANK	1
8	14311-KPH-900	SPROCKET, TIMING	1
9	23125-KTC-901	COLLAR, PRIMARY DRIVE	1
10	91002-KTC-901	BRG. BALL RADIAL, 63/22 SPL	1
	91002-KTC-901	BRG. BALL RADIAL, 63/22 SPL	1
11	94303-03050	DOWEL PIN 3 X 5	1
12	96211-08000	BALL STEEL 8 MM	1
	96211-08000	BALL STEEL 8 MM	1
13	90741-KFB-000	KEY,WOODRUFF,4 MM	1
	90741-KFB-000	KEY,WOODRUFF,4 MM	1

E-7 : CRANK SHAFT/PISTON

14	90741-KGH-900	KEY, WOODRUFF, 4 MM	1
	90741-KGH-900	KEY, WOODRUFF, 4 MM	1
15	13011-AAN-410	RING SET PISTON STD	1
	13011-AAN-410	RING SET PISTON STD	1

E-7 : CRANK SHAFT/PISTON



E-7 : CRANK SHAFT/PISTON

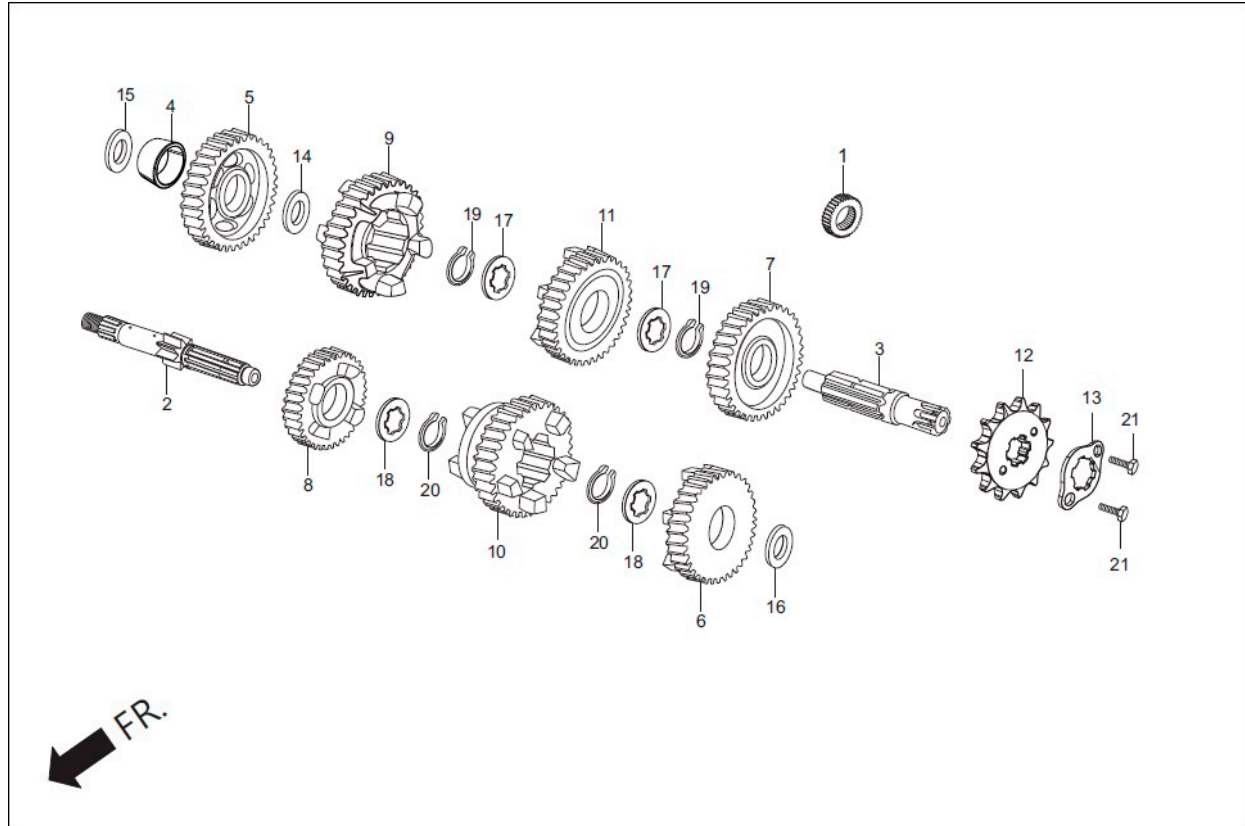
Group Number: E-7 **Model ::** Ignitor 125 (May, 2017)

E-7 : CRANK SHAFT/PISTON

SELECTION TABLE OF CONNECTING ROD BIG END BEARING						
Crank Pin CODE (Colour)		1	2	3	4	5
		(Green)	(Yellow)	(White)	(Blue)	(Brown)
Connecting rod code	B	91101- GF6-0000 (Red)	/	/	/	/
	a	91102- GF6-0000 (Blue)	/	/	/	/
	C	/	91101- GF6-0000 (Red)	/	/	/
	A	/	91102- GF6-0000 (Blue)	/	/	/
	D	/	/	91101- GF6-0000 (Red)	/	/
	B	/	/	91102- GF6-0000 (Blue)	/	/
	a	/	/	91103- GF6-0000 (White)	/	/

E-7 : CRANK SHAFT/PISTON

E-8 : TRANSMISSION/GEAR BOX



E-8 : TRANSMISSION/GEAR BOX

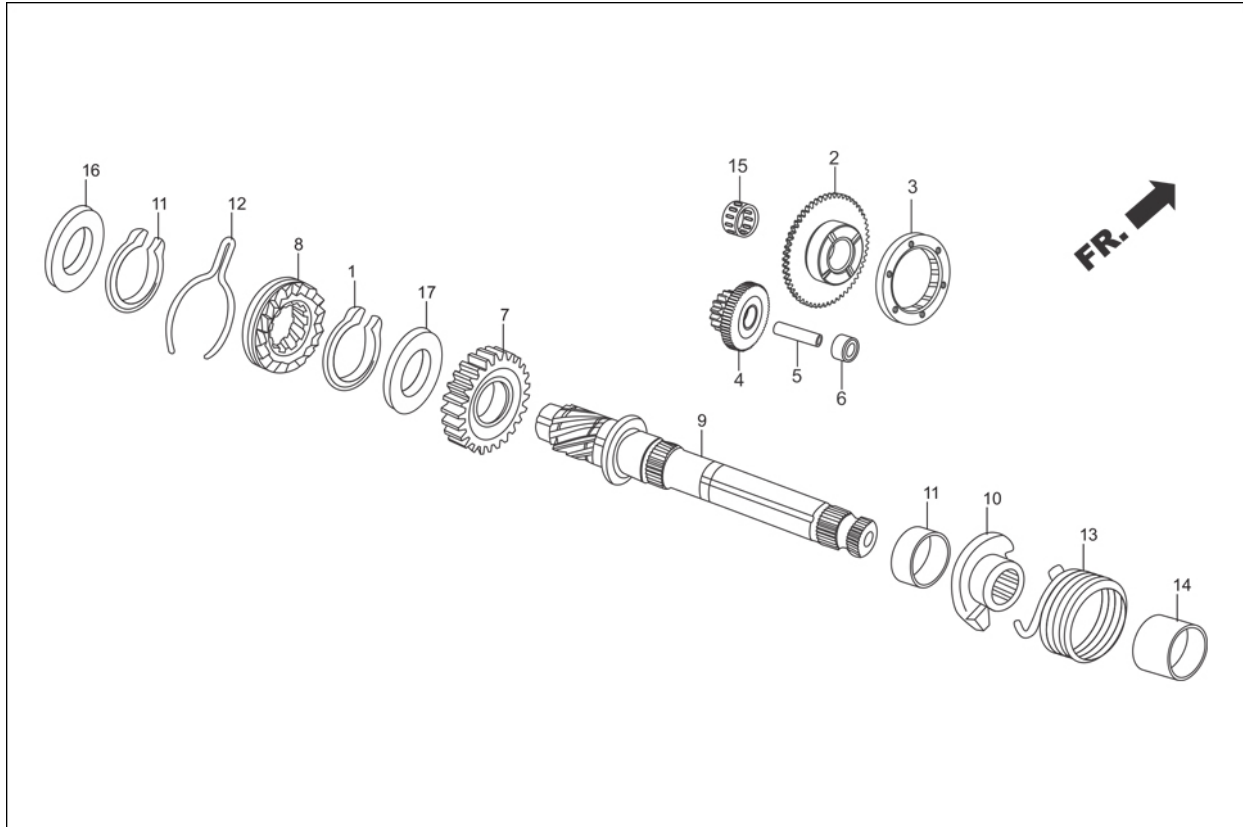
Group Number: E-8 **Model ::** Ignitor 125 (May, 2017)

Ref No.	Part Number	Description	Req.
1	23123-KGH-900	GEAR C, PRIMARY DRIVE (YELLOW)	1
	23123-KGH-900	GEAR C, PRIMARY DRIVE (YELLOW)	1
2	23211-KTR-940	SHAFT, MAIN, 13T	1
3	23221-KTR-940	SHAFT, COUNTER	1
	23221-KTR-940	SHAFT, COUNTER	1
4	23415-KPH-900	BUSH, 15 MM	1
	23415-KPH-900	BUSH, 15 MM	1
5	23421-KTC-900	GEAR, C-1 36T	1
6	23431-KPH-900	GEAR M-2 20T	1
7	23441-KTC-901	GEAR, C-2 30T	1
8	23451-KTC-901	GEAR, M3 21T	1
9	23461-KTC-901	GEAR, C-3 23T	1
10	23471-KTC-902	GEAR, M-4 23T	1
	23471-KTC-902	GEAR, M-4 23T	1
11	23481-KTC-902	GEAR, C-2 21T	1
	23481-KTC-902	GEAR, C-2 21T	1
12	23801-AAN-411	SPROCKET DRIVE	1
13	23802-AAN-411	PLATE FIXING	1
14	90412-187-000	WASHER THRUST	1
	90412-187-000	WASHER THRUST	1

E-8 : TRANSMISSION/GEAR BOX

15	90412-KPH-900	WASHER SPL., 12 X 23	1
	90412-KPH-900	WASHER SPL., 12 X 23	1
16	90452-KGH-900	WASHER SPL. 12 MM	1
	90452-KGH-900	WASHER SPL. 12 MM	1
17	90461-GB4-770	WASHER, SPLINE, 20 X 1.2	2
	90461-GB4-770	WASHER, SPLINE, 20 X 1.2	2
18	90461-KTC-900	WASHER, SPLINE 17 MM	2
	90461-KTC-900	WASHER, SPLINE 17 MM	2
19	90601-001-000	CIRCLIP 17MM	2
	90601-001-000	CIRCLIP 17MM	2
20	90605-200-000	SET RING, 20MM	2
	90605-200-000	SET RING, 20MM	2
21	96001-06010-07	BOLT FLANGE, SH., 6 X 10	2

E-9 : KICK STARTER



E-9 : KICK STARTER

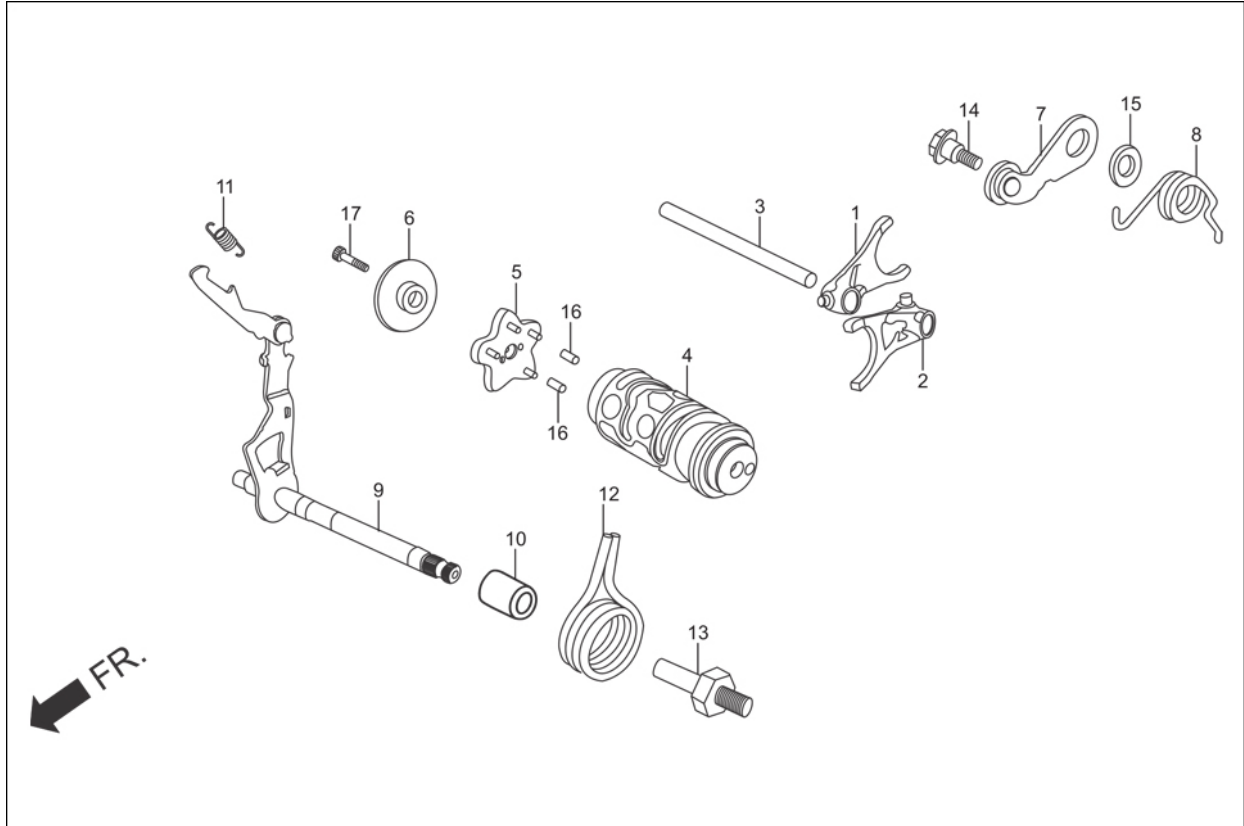
Group Number: E-9 Model :: Ignitor 125 (May, 2017)

Ref No.	Part Number	Description	Req.
1	90605-200-000	SET RING, 20MM	2
	90605-200-000	SET RING, 20MM	2
2	28110-KTC-921	GEAR COMP., STARTER DRIVEN	1
	28110-KTC-921	GEAR COMP., STARTER DRIVEN	1
3	28120-KTR-A00A	ASSY. ONEWAY CLUTCH	1
	28120-KTR-A00A	ASSY. ONEWAY CLUTCH	1
4	28131-KTC-920	GEAR, STARTER REDUCTION (17T)	1
	28131-KTC-920	GEAR, STARTER REDUCTION (17T)	1
5	28132-KPH-900	SHAFT, REDUCTION GEAR	1
	28132-KPH-900	SHAFT, REDUCTION GEAR	1
6	28133-KPH-900	COLLAR, STARTER REDUCTION	1
	28133-KPH-900	COLLAR, STARTER REDUCTION	1
7	28211-KTC-900	PINION, KICK STARTER	1
8	28221-KTC-900	RATCHET, STARTER DRIVE	1
	28221-KTC-900	RATCHET, STARTER DRIVE	1
9	28251-KTC-900	SPINDLE, KICK STARTER	1
	28251-KTC-900	SPINDLE, KICK STARTER	1
10	28262-KTC-900	RETAINER, KICK SPRING	1
	28262-KTC-900	RETAINER, KICK SPRING	1
11	28265-KPH-900	COLLAR, KICK RETAINER	1

E-9 : KICK STARTER

	28265-KPH-900	COLLAR, KICK RETAINER	1
12	28271-KPH-900	SPRING, FRICTION, STARTER PINION	1
	28271-KPH-900	SPRING, FRICTION, STARTER PINION	1
13	28281-KPH-900	SPRING, KICK RETURN	1
	28281-KPH-900	SPRING, KICK RETURN	1
14	28282-KPH-900	COLLAR, KICK SPRING	1
	28282-KPH-900	COLLAR, KICK SPRING	1
15	91071-KTC-900	BEARING NEEDLE, 21 X 25 X 18	1
	91071-KTC-900	BEARING NEEDLE, 21 X 25 X 18	1
16	90452-KPH-900	WASHER THRUST, 15.5 MM	1
	90452-KPH-900	WASHER THRUST, 15.5 MM	1
17	90454-KPH-900	WASHER, 25 X 20.2 X 1	1
	90454-KPH-900	WASHER, 25 X 20.2 X 1	1

E-10 : GEAR SHIFT



E-10 : GEAR SHIFT

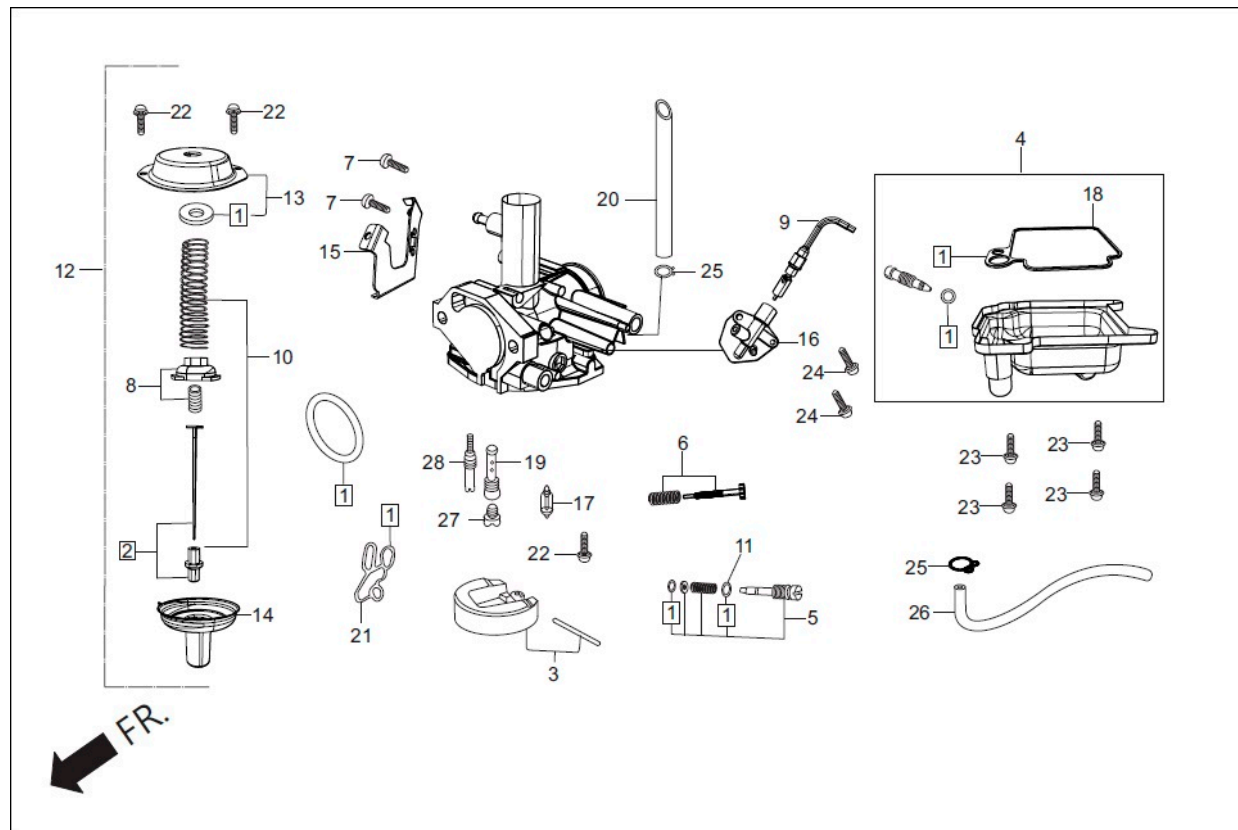
Group Number: E-10 **Model ::** Ignitor 125 (May, 2017)

Ref No.	Part Number	Description	Req.
1	24211-KTC-900	FORK R GEAR SHIFT	1
	24211-KTC-900	FORK R GEAR SHIFT	1
2	24212-KTC-900	FORK, L GEAR SHIFT	1
	24212-KTC-900	FORK, L GEAR SHIFT	1
3	24241-AAN-410	SHAFT GEAR SHIFT FORK	1
	24241-AAN-410	SHAFT GEAR SHIFT FORK	1
4	24301-KTC-900	DRUM ,GEARSHIFT	1
	24301-KTC-900	DRUM ,GEARSHIFT	1
5	24410-KTC-900	PLATE COMP., SHIFT DRUM STOPPER	1
	24410-KTC-900	PLATE COMP., SHIFT DRUM STOPPER	1
6	24421-KTC-900	HOLDER, DRUM STOPPER	1
	24421-KTC-900	HOLDER, DRUM STOPPER	1
7	24430-KPH-901	STOPR. COMP., GEAR SHIFT DRUM	1
	24430-KPH-901	STOPR. COMP., GEAR SHIFT DRUM	1
8	24435-KTC-900	SPRING, SHIFT DRUM STOPPER	1
	24435-KTC-900	SPRING, SHIFT DRUM STOPPER	1
9	24610-KTR-940	SPINDLE COMP., GEAR SHIFT	1
	24610-KTR-940	SPINDLE COMP., GEAR SHIFT	1
10	24639-KPG-T00	COLLAR, 12.2 MM	1
	24639-KPG-T00	COLLAR, 12.2 MM	1

E-10 : GEAR SHIFT

11	24641-KTC-900	SPRING, GEAR SHIFT ARM	1
	24641-KTC-900	SPRING, GEAR SHIFT ARM	1
12	24651-KTC-900	SPRING, GEAR SHIFT, RETURN	1
	24651-KTC-900	SPRING, GEAR SHIFT, RETURN	1
13	24652-KPH-900	PIN, SHIFT RETURN SPRING	1
	24652-KPH-900	PIN, SHIFT RETURN SPRING	1
14	90022-MG8-000	PIVOT, SHIFT DRUM STOPR. ARM	1
	90022-MG8-000	PIVOT, SHIFT DRUM STOPR. ARM	1
15	90435-HB3-000	WASHER, 6.1 MM	1
	90435-HB3-000	WASHER, 6.1 MM	1
16	96220-30085	ROLLER, 3 X 8.5	2
	96220-30085	ROLLER, 3 X 8.5	2
17	96700-06018-00	SOCKET, BOLT, 6 X 18	1
	96700-06018-00	SOCKET, BOLT, 6 X 18	1

E-11 : CARBURETTOR ASSY.



E-11 : CARBURETTOR ASSY.

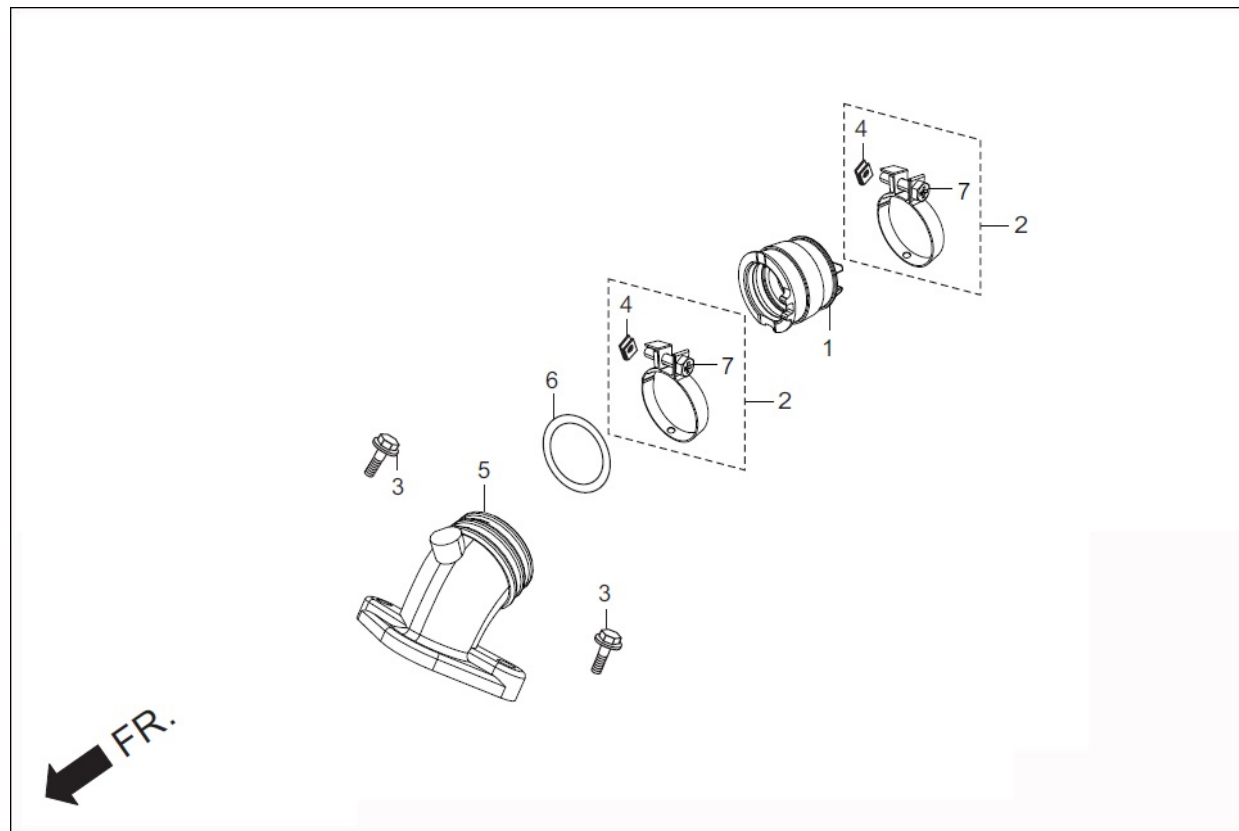
Group Number: E-11 **Model ::** Ignitor 125 (May, 2017)

Ref No.	Part Number	Description	Req.
1	16010-AAN-410	GASKET SET	1
2	16012-AAN-410	NEEDLE SET JET	1
3	16013-AAN-410	FLOAT SET	1
	16013-AAN-410	FLOAT SET	1
4	16015-AAN-410	CHAMBER SET FLOAT	1
	16015-AAN-410	CHAMBER SET FLOAT	1
5	16016-AAN-410	SCREW SET A	1
6	16028-AAN-410	SCREW SET B	1
7	16031-AAN-410	SCREW PAN	2
8	16037-AAN-410	PLATE SET VALVE	1
9	16046-AAN-410	VALVE SET STARTER	1
10	16050-AAN-410	SPG COMPRESSION COIL	1
11	16076-AAN-410	O-RING	1
12	16100-AAN-F01	CARBURETTOR ASSY.	1
13	16107-AAN-410	TOP	1
14	16111-AAN-410	PISTON COMP VACUUM	1
15	16119-AAN-410	STAY WIRE	1
16	16140-AAN-410	BODY COMP BY-ST	1
17	16155-AAN-410	VALVE COMP FLOAT	1
	16155-AAN-410	VALVE COMP FLOAT	1

E-11 : CARBURETTOR ASSY.

18	16163-AAN-410	GASKET FLOAT CHAMBER	1
19	16165-AAN-410	HOLDER NEEDLE JET	1
20	16199-AAN-410	TUBE AIR VENT	1
21	16423-AAN-410	GASKET BY-ST	1
	16423-AAN-410	GASKET BY-ST	1
22	93500-04008-1H	SCREW,PAN,4X8	3
23	93500-04012-1H	SCREW,PAN,4 X 12	4
24	93500-05014-1H	SCREW PAN 5X14	2
25	95002-AAN-410	CLIP TUBE	2
26	95005-AAN-410	TUBE	1
	95005-AAN-410	TUBE	1
27	99101-AAN-410	JET # 115	1
	99101-AAN-410	JET # 115	1
28	99103-AAN-410	JET SLOW # 35	1
	99103-AAN-410	JET SLOW # 35	1

E-11A : INLET PIPE

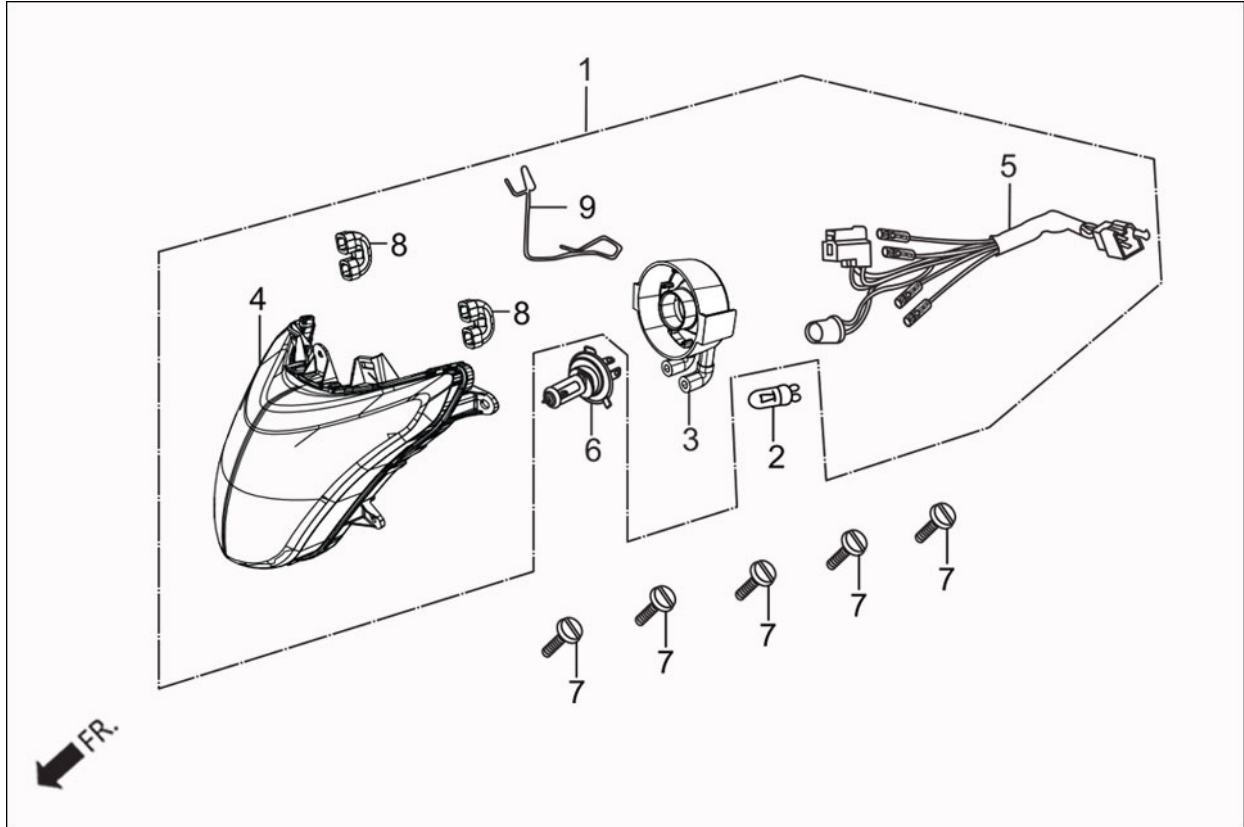


E-11A : INLET PIPE

Group Number: E-11A **Model ::** Ignitor 125 (May, 2017)

Ref No.	Part Number	Description	Req.
1	16211-AAN-410	INSULATOR CARB	1
	16211-AAN-410	INSULATOR CARB	1
2	16217-AAW-200	BAND INSULATOR	2
	16217-AAW-200	BAND INSULATOR	2
3	96001-06025-00	BOLT, FLANGE, SH. 6 X 25	2
4	16222-MV4-300	NUT, SQUARE, 5 MM	2
5	17111-AAN-D00	PIPE INLET	1
	17111-AAN-D00	PIPE INLET	1
6	91301-KCC-770	O-RING, 27 X 2 (COLOUR GREEN)	1
	91301-KCC-770	O-RING, 27 X 2 (COLOUR GREEN)	1
7	93891-05030-07	SCREW WASH 5X30	2

F-1 : HEAD LIGHT ASSY.

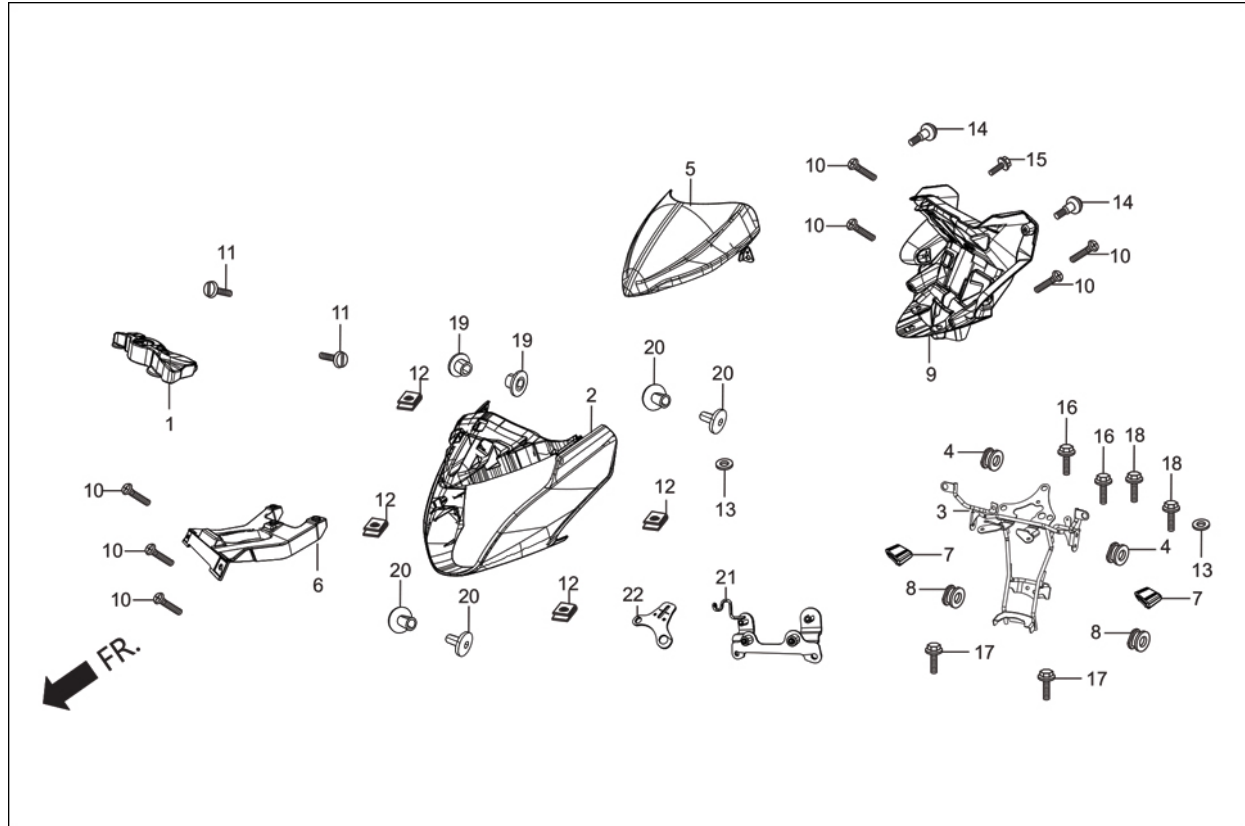


F-1 : HEAD LIGHT ASSY.

Group Number: F-1 **Model ::** Ignitor 125 (May, 2017)

Ref No.	Part Number	Description	Req.
1	3310B-AAN-40099	LIGHT ASSY HEAD	1
	3310B-AAN-40099	LIGHT ASSY HEAD	1
2	34920-AAK-201	BULB, WEDGE BASE (W3W) E MARK	1
	34920-AAK-201	BULB, WEDGE BASE (W3W) E MARK	1
3	33112-KTN-921	SOCKET COVER	1
4	33120-AAN-401	UNIT HEAD LIGHT	1
5	33130-AAN-401	SOCKET COMP HEAD LIGHT	1
6	34901-KSP-910	BULB, HEAD LIGHT	1
	34901-KSP-910	BULB, HEAD LIGHT	1
	34901-KSP-910	BULB, HEAD LIGHT	1
	34901-KSP-910	BULB, HEAD LIGHT	1
7	93903-35380	SCREW TAPPING 5X16	5
8	33706-ABA-000	PIPE CP	2
9	33108-KRY-900	SPRING, SPC(BULB HOLDER)	1

F-1A : FRONT COVER



F-1A : FRONT COVER

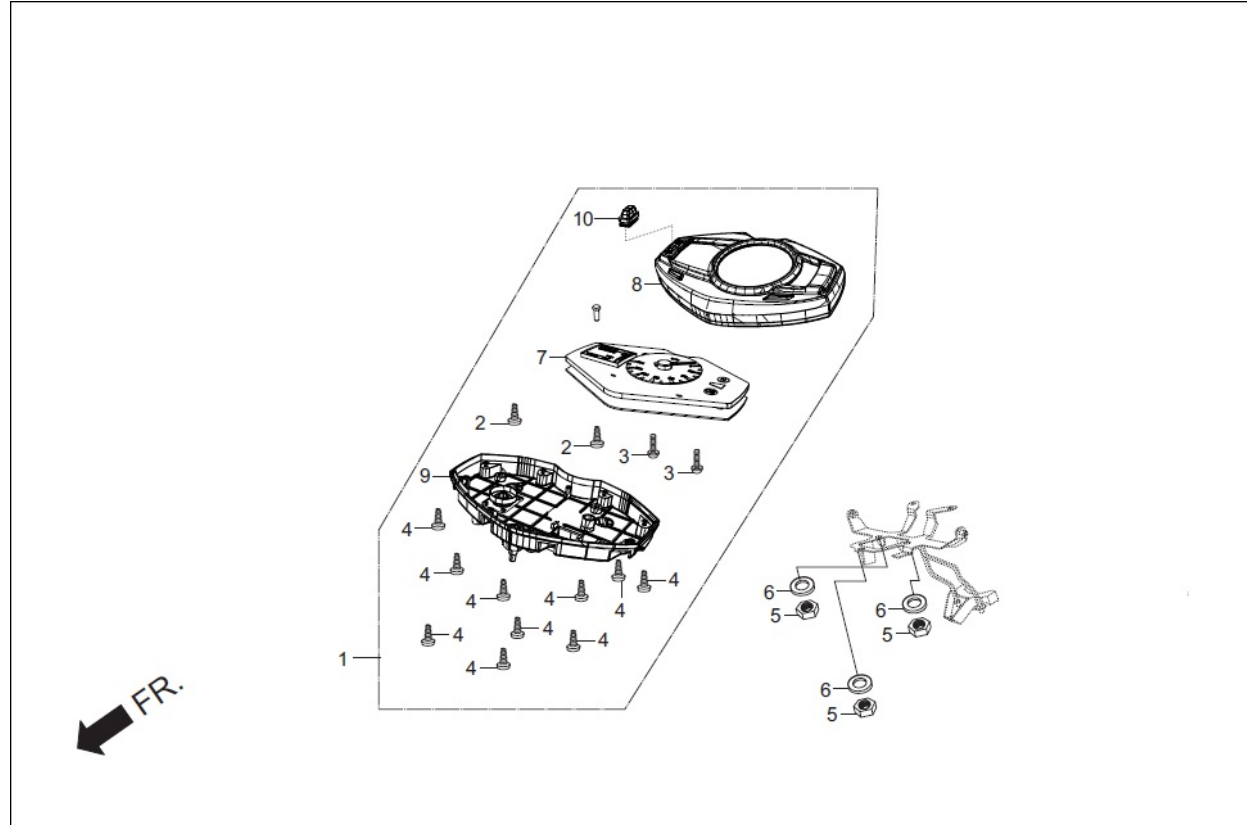
Group Number: F-1A Model :: Ignitor 125 (May, 2017)

Ref No.	Part Number	Description	Req.
1	53252-AAN-410	COVER, SWITCH ASSY	1
	53252-AAN-410	COVER, SWITCH ASSY	1
2	61300-AAN-400R	SET FT COWL(BLACK NH-1(T1)	1
	61300-AAN-400S	SET FT COWL(BLACK NH-1(T2)	1
	61300-AAN-400T	SET FT COWL(BLACK NH-1(T3)	1
	61300-AAN-400U	SET FT COWL(CBR R-195C)	1
3	61311-AAN-410	STAY FR COWL	1
	61311-AAN-410	STAY FR COWL	1
4	61103-KVE-860	RUBBER,FR COWL MOUNT	2
	61103-KVE-860	RUBBER,FR COWL MOUNT	2
5	64140-AAN-410	VISOR FRONT	1
6	64315-AAN-410	STAY FR NO. PLATE	1
	64315-AAN-410	STAY FR NO. PLATE	1
7	77267-KTR-900	RUBBER, COWL	2
	77267-KTR-900	RUBBER, COWL	2
8	80101-443-000	RUBBER, RR. FENDER CUSHION	3
	80101-443-000	RUBBER, RR. FENDER CUSHION	3
9	83402-AAN-410	PANEL INNER	1
	83402-AAN-410	PANEL INNER	1
10	90102-GB2-720	SCREW, PAN, 5X16	7

F-1A : FRONT COVER

11	90109-SB6-000	SCREW, TRUSS, 5X14	2
	90109-SB6-000	SCREW, TRUSS, 5X14	2
12	90320-GC3-000	NUT, SPRING, M5	4
13	90563-355-000	WASHER, WHEEL, 6 MM	2
14	91509-GE2-760	SCREW, WASHER, 5 X 11.5	3
15	93404-06012-00	BOLT, WASHER, 6 X 12	1
	93404-06012-00	BOLT, WASHER, 6 X 12	1
16	93903-34380	SCREW, TAPPING, 4X12	2
	93903-34380	SCREW, TAPPING, 4X12	2
17	95701-06020-07	BOLT, FLANGE, 6 X 20	2
	95701-06020-07	BOLT, FLANGE, 6 X 20	2
18	95701-06022-00	BOLT, FLANGE, SH. 6 X 22	2
	95701-06022-00	BOLT, FLANGE, SH. 6 X 22	2
19	61104-428-000	COLLAR, FR, FENDER	2
	61104-428-000	COLLAR, FR, FENDER	2
20	80111-KVN-900	COLLAR, RR. FENDER	4
	80111-KVN-900	COLLAR, RR. FENDER	4
21	61312-AAN-410	UPPER BRIDGE CLAMP COMP.	1
	61312-AAN-410	UPPER BRIDGE CLAMP COMP.	1
22	61313-AAN-410	LOWER BRIDGE CLAMP	1
	61313-AAN-410	LOWER BRIDGE CLAMP	1

F-2 : SPEEDOMETER ASSY.

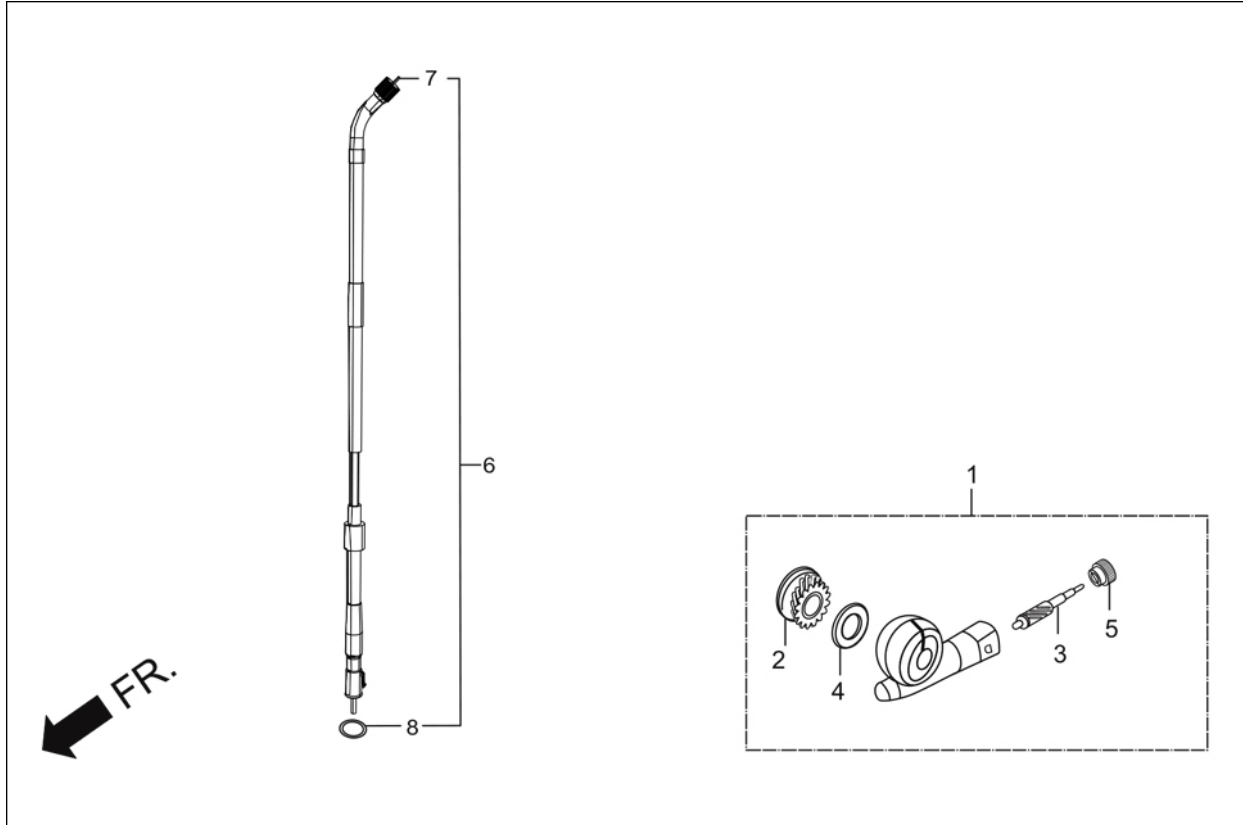


F-2 : SPEEDOMETER ASSY.

Group Number: F-2 **Model ::** Ignitor 125 (May, 2017)

Ref No.	Part Number	Description	Req.
1	37100-AAN-F01	METER ASSY COMB	1
2	93903-34120	SCREW TAPPING 4 X 8	2
3	93901-22010	SCREW TAPPING 3X6	2
4	93903-22480	SCREW TAPPING 3 X 16	9
5	94001-06070-0S	NUT, HEX., 6 MM	3
6	94103-06700	WASHER, PLAIN, 6 MM	3
7	37110-AAN-F01	SPEEDPMETER COMP	1
8	37111-AAN-421	CASE UPPER ASSY	1
9	37112-AAN-411	CASE UNDER ASSY	1
10	37203-AAN-411	SWITCH RUBBER	1

F-2A : SPEEDOMETER GEAR /SPEEDOMETER CABLE

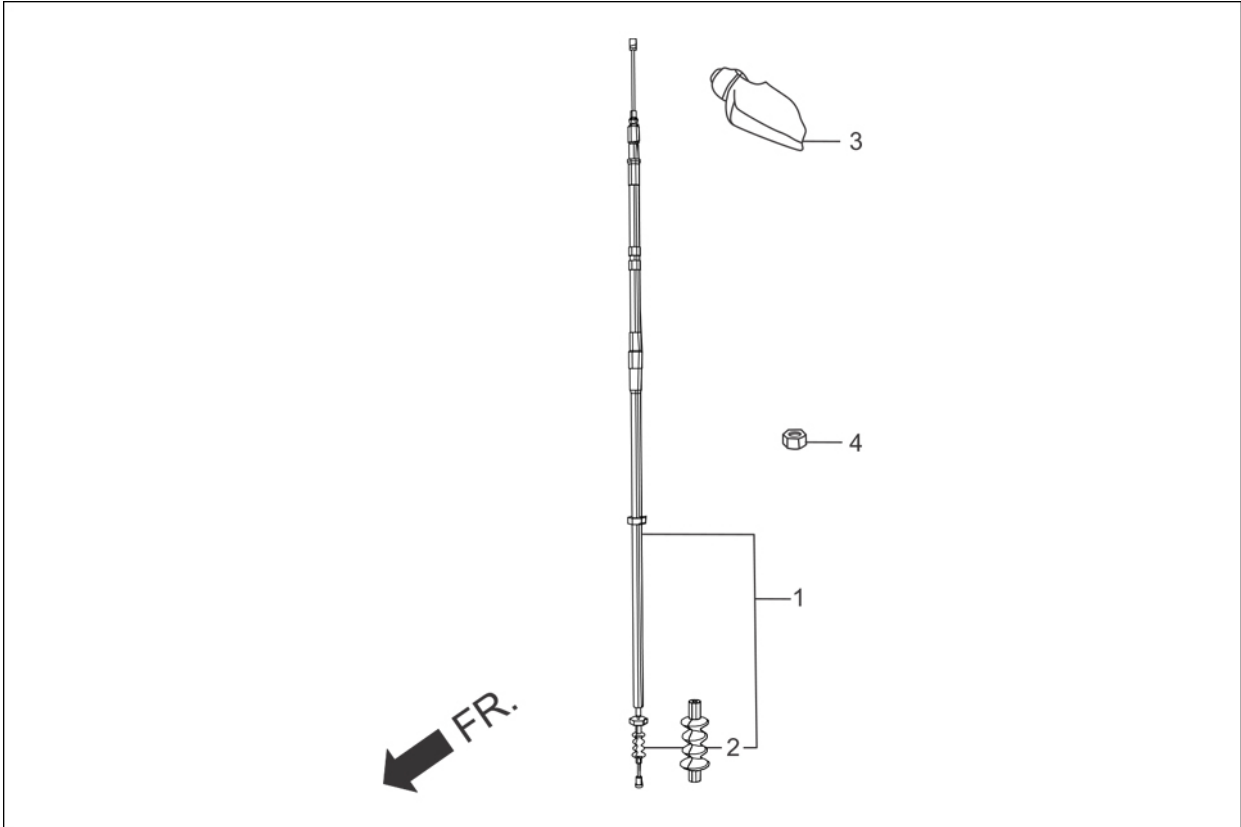


F-2A : SPEEDOMETER GEAR /SPEEDOMETER CABLE

Group Number: F-2A Model :: Ignitor 125 (May, 2017)

Ref No.	Part Number	Description	Req.
1	44800-KVE-901	GEAR BOX ASSY., SPDMT. (MGM)	1
	44800-KVE-901	GEAR BOX ASSY., SPDMT. (MGM)	1
2	44804-KVE-901	GEAR, SPEEDOMETER	1
3	44805-KVE-901	PINION, SPEEDOMETER	1
4	44809-170-000	WASHER, SPEEDOMETER GEAR	1
	44809-170-000	WASHER, SPEEDOMETER GEAR	1
5	44810-KTC-900	BUSH, PINION	1
	44810-KTC-900	BUSH, PINION	1
6	44830-AAN-410	CABLE COMP SPDMT.	1
	44830-AAN-410	CABLE COMP SPDMT.	1
7	44830-KWA-830A	CABLE INNER	1
8	91352-GAZ-930	O-RING 8.5X11.5	1

F-3 : CONTROL CABLE

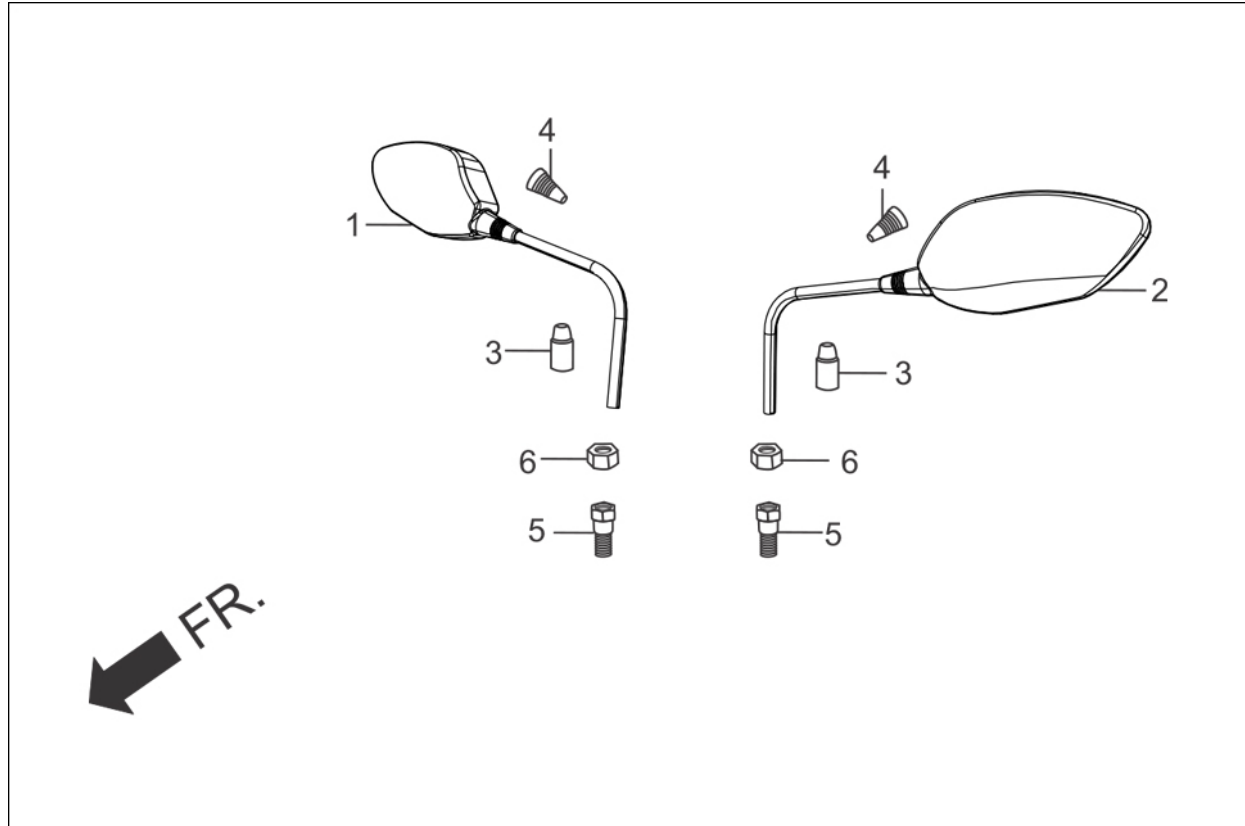


F-3 : CONTROL CABLE

Group Number: F-3 **Model ::** Ignitor 125 (May, 2017)

Ref No.	Part Number	Description	Req.
1	22870-AAN-410	CABLE CLUTCH	1
	22870-AAN-410	CABLE CLUTCH	1
2	22871-116-670	BOOT, CLUTCH CABLE	1
3	53179-KTC-900	COVER L HANDLE LEVER	1
	53179-KTC-900	COVER L HANDLE LEVER	1
4	94002-08000-0S	NUT HEX.8 MM	1

F-3A : MIRROR ASSY.

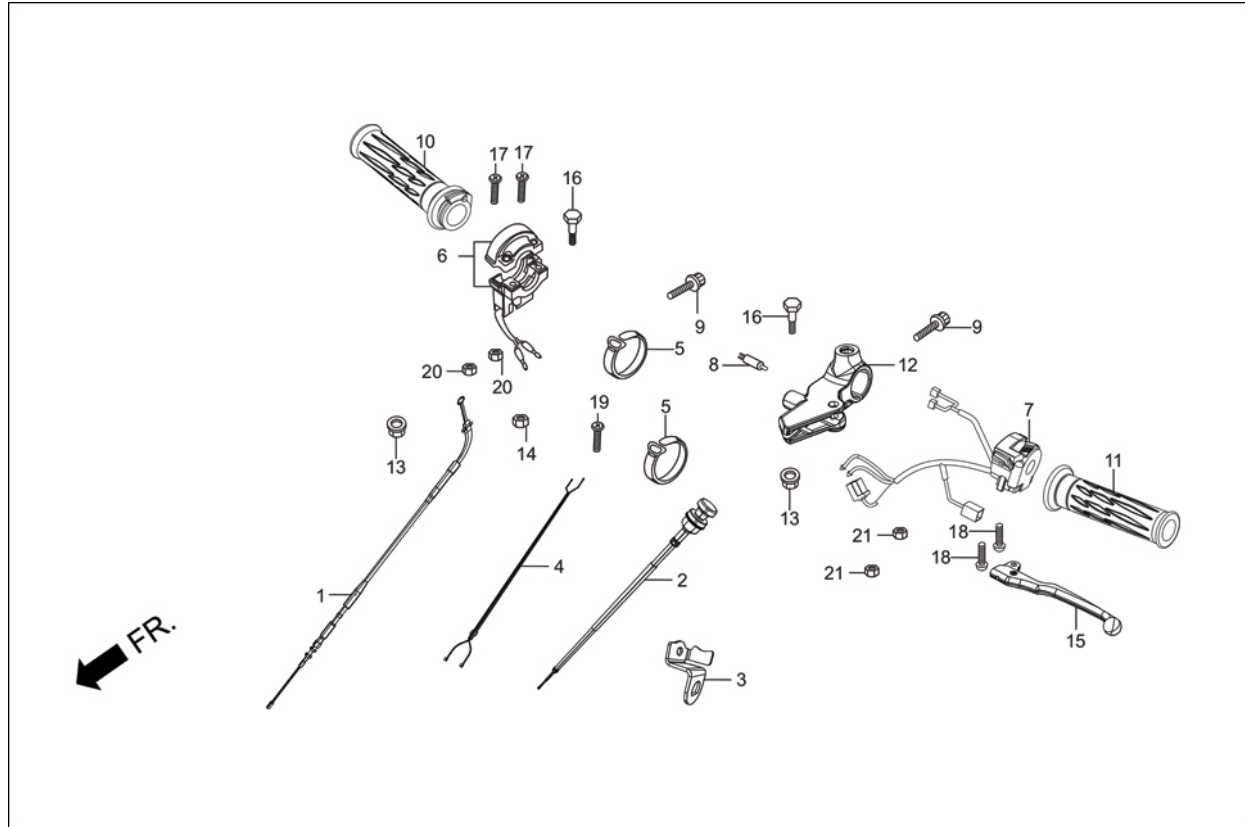


F-3A : MIRROR ASSY.

Group Number: F-3A Model :: Ignitor 125 (May, 2017)

Ref No.	Part Number	Description	Req.
1	88110-AAN-410R	MIRROR ASSY R BACK	1
	88110-AAN-410U	MIRROR ASSY R BACK	1
2	88120-AAN-410R	MIRROR ASSY L BACK	1
	88120-AAN-410U	MIRROR ASSY L BACK	1
3	88114-198-D10	CAP, LOCK NUT	2
	88114-198-D10	CAP, LOCK NUT	2
4	88115-KTR-900	BOOT, MIRROR UPPER	2
	88115-KTR-900	BOOT, MIRROR UPPER	2
5	90003-MY5-720	BOLT,ADPT.10MM	2
	90003-MY5-720	BOLT,ADPT.10MM	2
6	90201-MW3-620	NUT, HEX., 10MM	2
	90201-MW3-620	NUT, HEX., 10MM	2

F-3B : HANDLE LEVER/SWITCH



F-3B : HANDLE LEVER/SWITCH

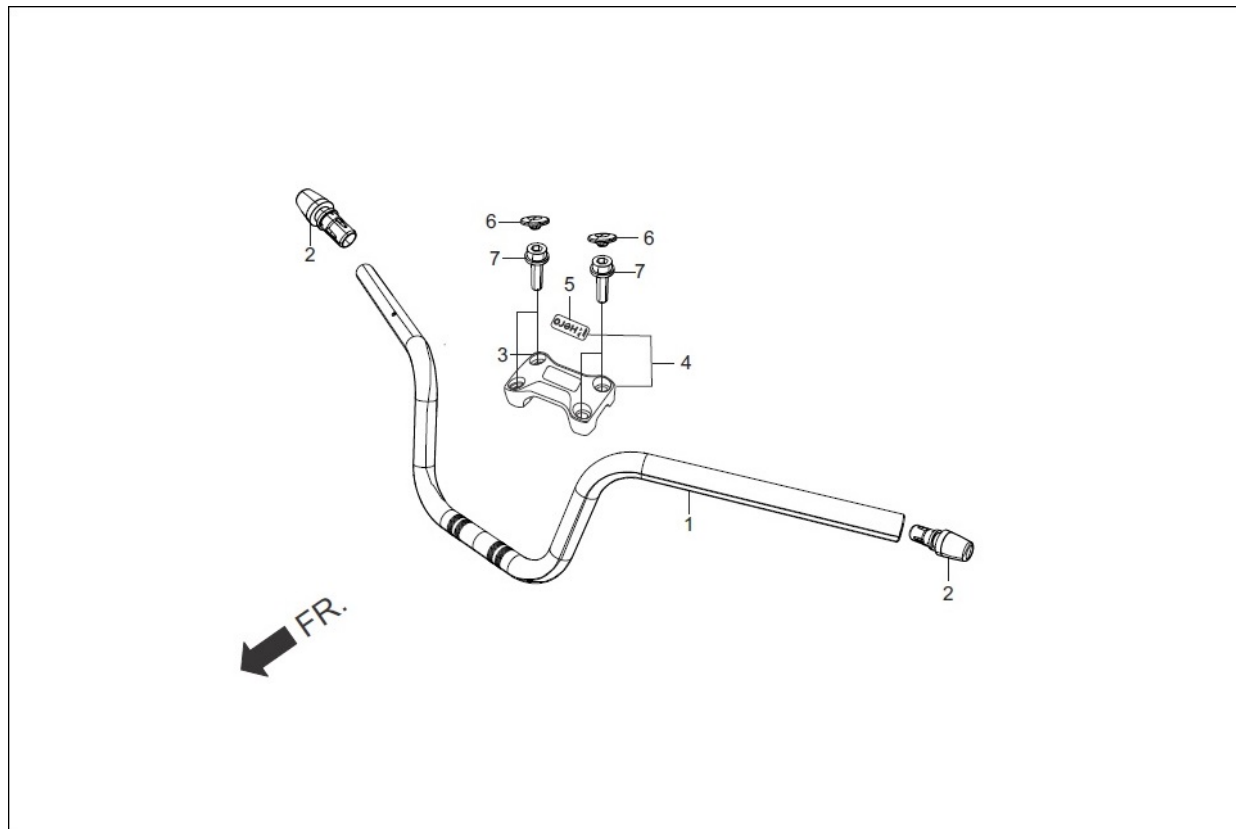
Group Number: F-3B Model :: Ignitor 125 (May, 2017)

Ref No.	Part Number	Description	Req.
1	17910-AAN-410	CABLE COMP THROTTLE	1
	17910-AAN-410	CABLE COMP THROTTLE	1
2	17950-AAN-410	CABLE COMP,CHOKE	1
	17950-AAN-410	CABLE COMP,CHOKE	1
3	17951-AAN-410	STAY CHOKE LEVER	1
	17951-AAN-410	STAY CHOKE LEVER	1
4	32102-KTR-A30	SUB CORD	1
	32102-KTR-A30	SUB CORD	1
5	32161-404-000	BAND B-1,WIRE	2
6	35150-AAF-041	SW. ASSY. START & I3S	1
	35150-AAF-041	SW. ASSY. START & I3S	1
7	35200-AAN-411	SW. ASSY. WINKER	1
8	35330-413-003	SW. COMP., FR. LEVER	1
	35330-413-003	SW. COMP., FR. LEVER	1
9	96001-06025-07	BOLT, FLANGE, SH. 6 X 25	2
	96001-06025-07	BOLT, FLANGE, SH. 6 X 25	2
10	53140-KTR-A20	GRIP COMP., RHANDLE	1
	53140-KTR-A20	GRIP COMP., RHANDLE	1
11	53166-KTR-A20	GRIP, L. HANDLE	1
	53166-KTR-A20	GRIP, L. HANDLE	1

F-3B : HANDLE LEVER/SWITCH

12	53172-KTC-920	BRACKET, L HANDLE LEVER	1
	53172-KTC-920	BRACKET, L HANDLE LEVER	1
13	94050-06000	NUT, FLANGE, 6 MM	2
	94050-06000	NUT, FLANGE, 6 MM	2
14	94002-10070-0S	NUT, HEX., 10MM	1
15	53178-AAF-H00	LEVER COMP.L STRG.HNDL.	1
	53178-AAF-H00	LEVER COMP.L STRG.HNDL.	1
16	90114-310-000	BOLT, HANDLE LEVER PIVOT	2
	90114-310-000	BOLT, HANDLE LEVER PIVOT	2
17	93500-05020-0G	SCREW, PAN, 5 X 20	2
	93500-05020-0G	SCREW, PAN, 5 X 20	2
18	93500-05022-1G	SCREW, PAN, 5 X 22	2
	93500-05022-1G	SCREW, PAN, 5 X 22	2
19	93901-32220	SCREW TAPPING 3X10	1
20	94001-05070-0S	NUT HEX. 5MM	2
21	94002-06000-0S	NUT, HEX 6MM	2

F-3C : HANDLE PIPE/TOP BRIDGE

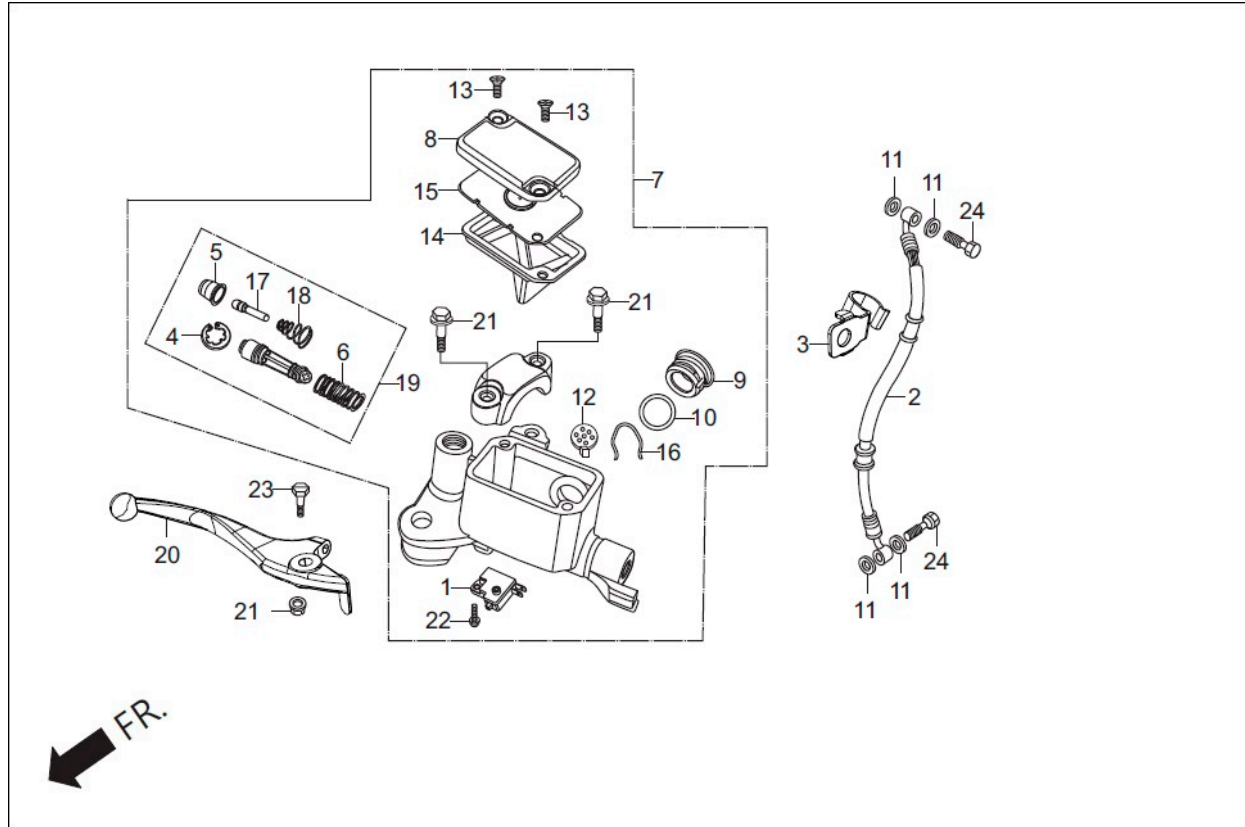


F-3C : HANDLE PIPE/TOP BRIDGE

Group Number: F-3C Model :: Ignitor 125 (May, 2017)

Ref No.	Part Number	Description	Req.
1	53100-AAN-410	PIPE STRG HANDLE	1
	53100-AAN-410	PIPE STRG HANDLE	1
2	53105-KRC-900	END STRG. HANDLE	2
	53105-KRC-900	END STRG. HANDLE	2
3	53131-KTR-A20	HOLDER, HANDLE UP	1
4	5313A-AAN-H20	HOLDER HANDLE UP.SUB ASSY.	1
	5313A-AAN-H20	HOLDER HANDLE UP.SUB ASSY.	1
5	53132-KZN-900	EMBLEM HANDLE RR COVER	1
	53132-KZN-900	EMBLEM HANDLE RR COVER	1
6	91455-MG8-000	CAP, SOC BOLT 6 MM	4
	91455-MG8-000	CAP, SOC BOLT 6 MM	4
7	90102-KVN-900	BOLT, SP. FLANGE SOCKET 6 X 22	4
	90102-KVN-900	BOLT, SP. FLANGE SOCKET 6 X 22	4

F-4 : FRONT DISC BRAKE ASSY. (MASTER CYL.)



F-4 : FRONT DISC BRAKE ASSY. (MASTER CYL.)

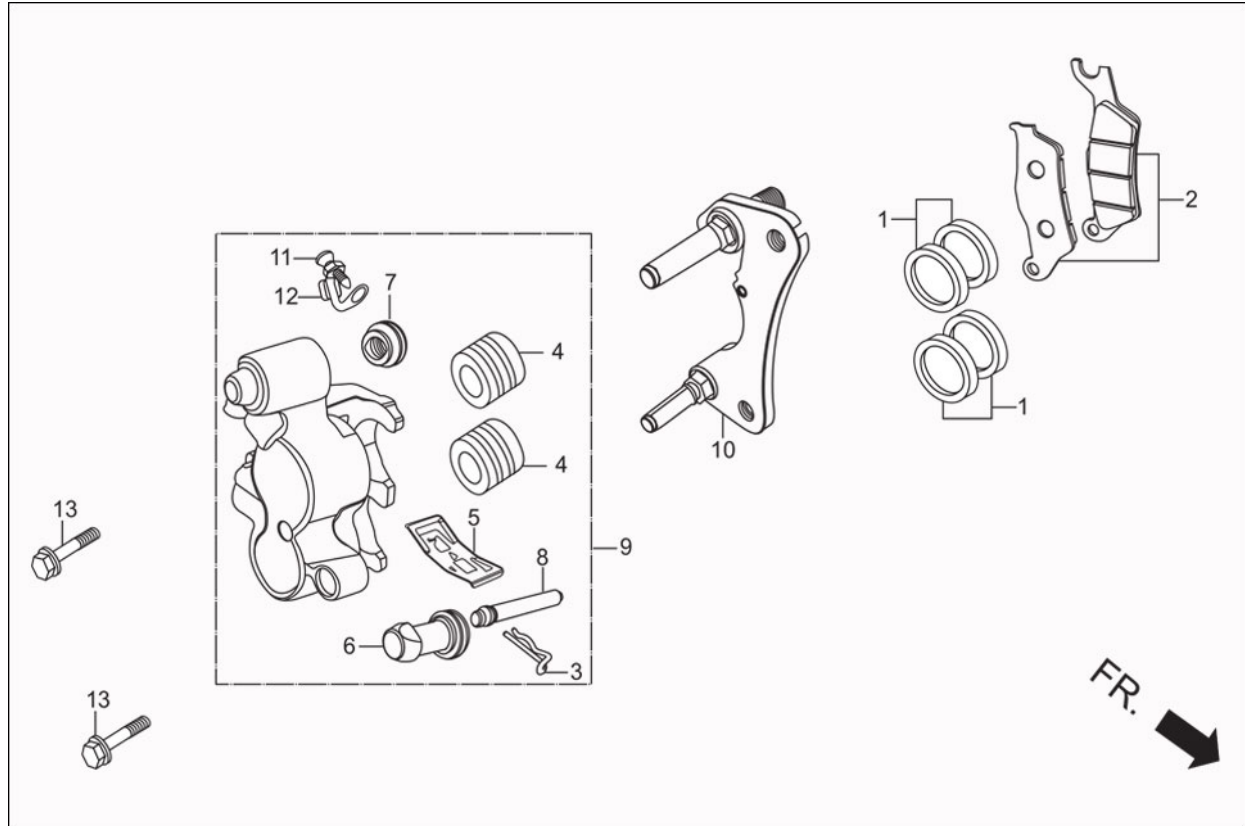
Group Number: F-4 **Model ::** Ignitor 125 (May, 2017)

Ref No.	Part Number	Description	Req.
1	35340-KCC-841	SW. ASSY. FR. STOP.	1
	35340-KCC-841	SW. ASSY. FR. STOP.	1
2	45126-KCC-840	HOSE COMP.,FR.BRAKE	1
	45126-KCC-840	HOSE COMP.,FR.BRAKE	1
3	45155-AAN-420	CLAMPER A FR. BRAKE	1
	45155-AAN-420	CLAMPER A FR. BRAKE	1
4	90651-KCC-841	CIRCLIP	1
5	45504-KCC-841	BOOT COMP.	1
6	45506-KCC-841	SPRING	1
7	45510-KVN-901	M/C SUB ASSY, FR. BRK	1
	45510-KVN-901	M/C SUB ASSY, FR. BRK	1
8	45513-KCC-841	CAP, MASTER CYLINDER	1
9	45515-KVN-901	GAUGE COMP., LEVEL	1
10	45516-KCC-841	O RING	1
11	90545-300-000	WASHER ,OIL BOLT	4
	90545-300-000	WASHER ,OIL BOLT	4
12	45518-KCC-841	SEPARTOR COMP.	1
13	45519-KCC-841	SCREW FLAT	2
14	45520-KCC-841	DIAPHRAGM	1
15	45521-KCC-841	PLATE, DIAPHRAGM	1

F-4 : FRONT DISC BRAKE ASSY. (MASTER CYL.)

16	45522-KCC-841	CLIP, GAUGE	1
17	45525-KCC-841	PUSH ROD	1
18	45526-KCC-841	SPRING , PUSH ROD	1
19	45530-KCC-841	CYLINDER SET MASTER	1
20	53175-KSP-900	LEVER, R STRG. HANDLE	1
	53175-KSP-900	LEVER, R STRG. HANDLE	1
21	90303-KCC-841	NUT	1
	90303-KCC-841	NUT	1
22	90112-KCC-841	SCREW,PAN,4X8	1
23	90114-KCC-841	BOLT, HANDLE LEVER	1
	90114-KCC-841	BOLT, HANDLE LEVER	1
24	90145-MS9-610	OIL BOLT, 10 X 22	2
	90145-MS9-610	OIL BOLT, 10 X 22	2

F-4A : FRONT DISC BRAKE (CALIPER ASSY.)

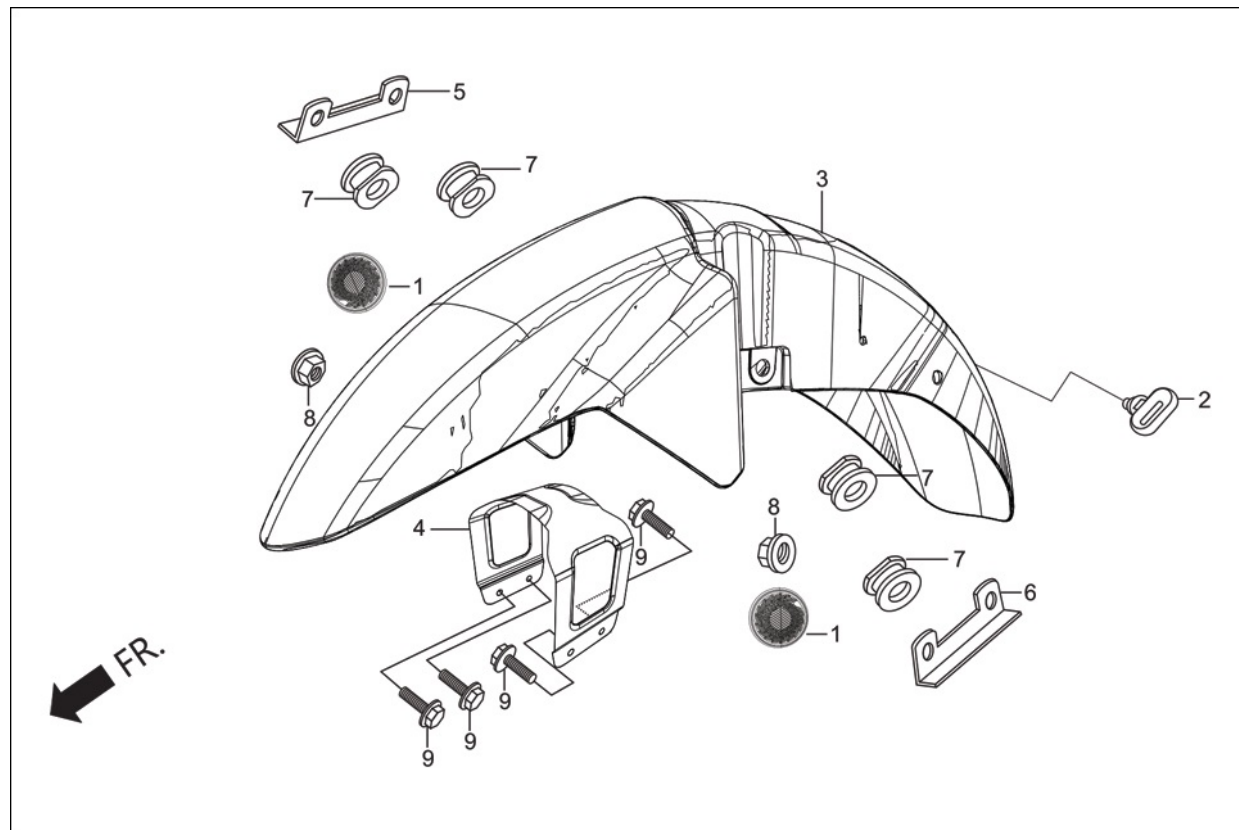


F-4A : FRONT DISC BRAKE (CALIPER ASSY.)

Group Number: F-4A Model :: Ignitor 125 (May, 2017)

Ref No.	Part Number	Description	Req.
1	06451-KCC-841	SEAL SET, PISTON	2
	06451-KCC-841	SEAL SET, PISTON	2
2	06455-KCC-841	PAD SET, FRONT	1
	06455-KCC-841	PAD SET, FRONT	1
3	43216-MAK-003	CLIP	1
4	45107-KCC-841	PISTON, 26	2
5	45108-KCC-841	PAD, SPRING	1
6	45132-KCC-841	BUSH, BOOT PIN	1
7	45133-KCC-841	BOOT,B	1
8	45220-KCC-841	PIN COMP., HANGER	1
9	45250-KCC-841	CALIPER SUB ASSY., R FR	1
	45250-KCC-841	CALIPER SUB ASSY., R FR	1
10	45290-KCC-841	BRKT. SUB ASSY., R FR	1
	45290-KCC-841	BRKT. SUB ASSY., R FR	1
11	45352-KCC-841	SCREW, BLEEDER	1
12	45353-KCC-841	CAP, BLEEDER	1
13	90155-KY4-900	BOLT, FLANGE, 8 X 25	2
	90155-KY4-900	BOLT, FLANGE, 8 X 25	2

F-5 : FRONT FENDER

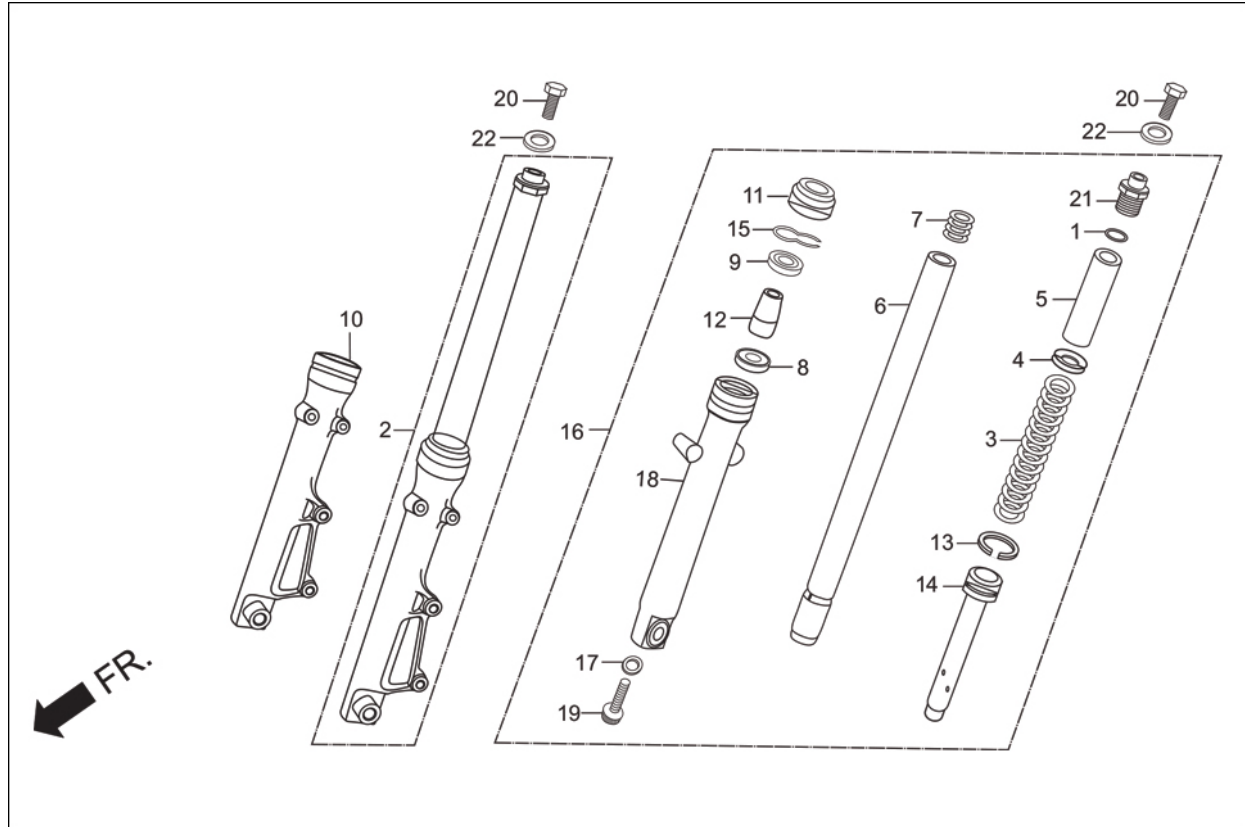


F-5 : FRONT FENDER

Group Number: F-5 **Model ::** Ignitor 125 (May, 2017)

Ref No.	Part Number	Description	Req.
1	33741-KRY-861	REFLEX, REFLECTOR	1
	33741-KRY-861	REFLEX, REFLECTOR	1
2	45451-ABA-000	GUIDE, FR. (FENDER) CABLE	1
	45451-ABA-000	GUIDE, FR. (FENDER) CABLE	1
3	61105-AAN-400R	SET FT FENDER(BLACK NH-1(T1)	1
	61105-AAN-400U	SET FT FENDER(CBR R-195C)	1
4	61102-AAN-410	STAY FRONT FENDER	1
	61102-AAN-410	STAY FRONT FENDER	1
5	61103-KTR-940	BRKT. FR. FENDER R	1
	61103-KTR-940	BRKT. FR. FENDER R	1
6	61104-KTR-940	BRKT. FR. FENDER L	1
	61104-KTR-940	BRKT. FR. FENDER L	1
7	61105-KTC-900	RUBBER, FRONT FENDER MOUNTING	4
	61105-KTC-900	RUBBER, FRONT FENDER MOUNTING	4
8	90302-KTE-911	NUT FLANGE PT 6MM	2
	90302-KTE-911	NUT FLANGE PT 6MM	2
9	95701-06020-00	BOLT, FLANGE, 6X20	4
	95701-06020-00	BOLT, FLANGE, 6X20	4

F-6 : FRONT FORK ASSY.



F-6 : FRONT FORK ASSY.

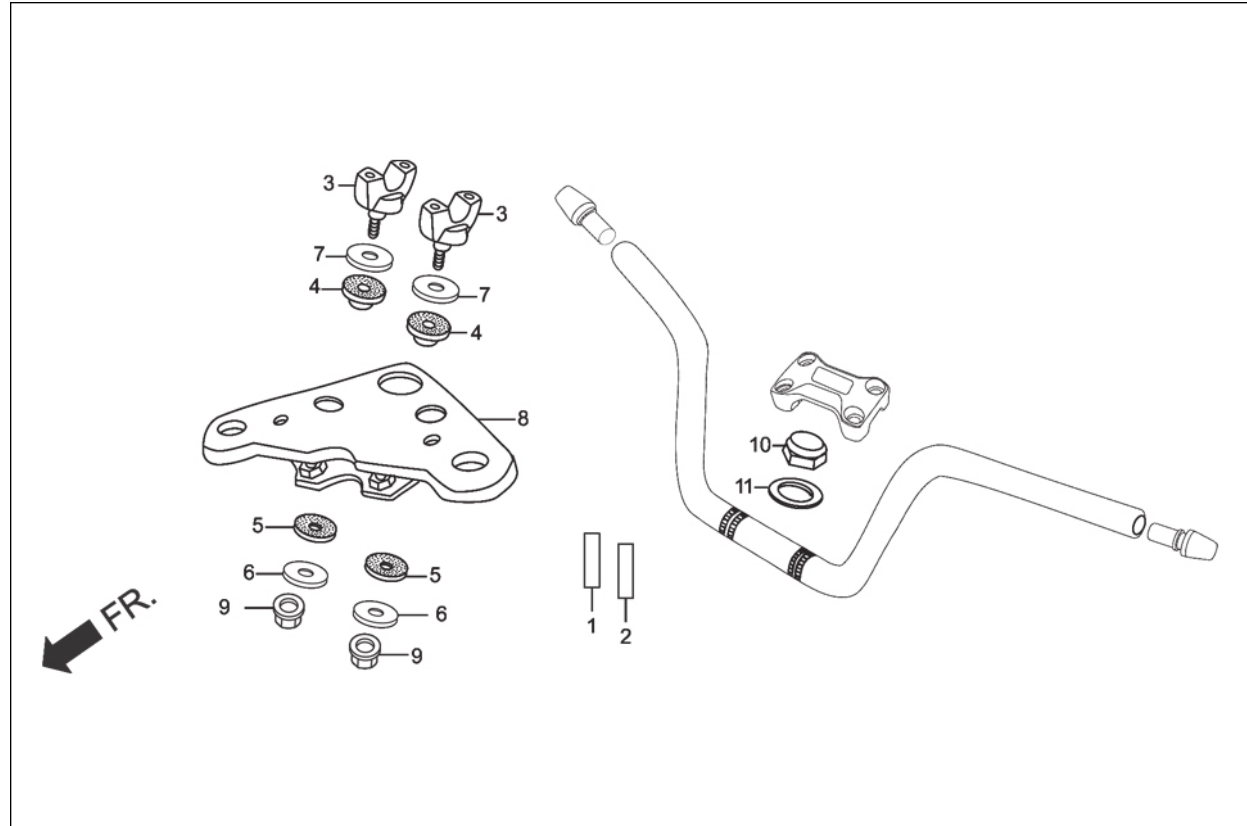
Group Number: F-6 **Model ::** Ignitor 125 (May, 2017)

Ref No.	Part Number	Description	Req.
1	91356-KAG-900	O - RING	2
2	51400-KTR-A11	FORK ASSY., RFR.	1
	51400-KTR-A11	FORK ASSY., RFR.	1
3	51401-KST-941	SPRING, FR. CUSHION	2
4	51403-447-730	JOINT, SPRING	2
5	51403-KCC-900	COLLAR, SPRING	2
6	51410-KWA-941	PIPE COMP. FR. FORK	2
7	51412-KAG-900	SPRING, REBOUND	2
8	51412-KWA-941	RING BACKUP	2
9	91255-KWA-941	SEAL OIL 30×42×11	2
	91255-KWA-941	SEAL OIL 30×42×11	2
10	51420-KTR-A11	CASE, RFR. BOTTOM	1
11	51425-KST-901	SEAL, DUST	2
	51425-KST-901	SEAL, DUST	2
12	51432-KST-901	PIECE, OIL LOCK	2
13	51437-KVN-901	RING, PISTON	2
14	51440-KTR-901	PIPE, SEAT	2
15	90601-GF5-730	RING, OIL SEAL STOPPER	2
	90601-GF5-730	RING, OIL SEAL STOPPER	2
16	51500-KTR-A11	FORK ASSY., LFR.	2

F-6 : FRONT FORK ASSY.

	51500-KTR-A11	FORK ASSY., LFR.	2
17	90544-439-930	WASHER, SPECIAL, 8 MM	2
18	51520-KTR-A11	CASE, LFR. BOTTOM	1
19	90116-KAG-900	BOLT, SOCKET, 8 MM	2
20	90123-KRM-860	BOLT, FR. FORK	2
	90123-KRM-860	BOLT, FR. FORK	2
21	90123-KST-941	BOLT, A FR. FORK	2
22	90521-292-000	WASHER, PLAIN, 10.3 MM	2
	90521-292-000	WASHER, PLAIN, 10.3 MM	2

F-6A : TOP BRIDGE



F-6A : TOP BRIDGE

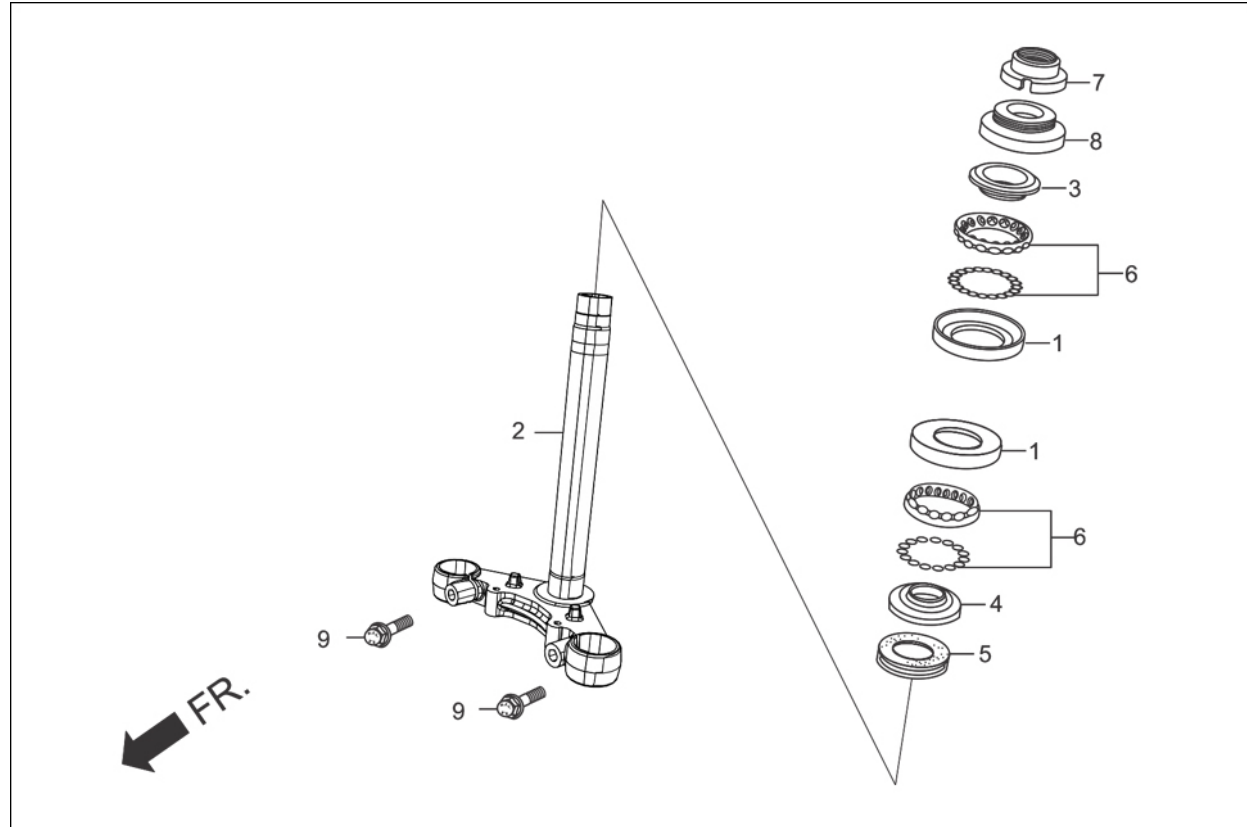
Group Number: F-6A Model :: Ignitor 125 (May, 2017)

Ref No.	Part Number	Description	Req.
1	35106-KTC-900	COVER, COMB. SWITCH	1
	35106-KTC-900	COVER, COMB. SWITCH	1
2	45156-KCC-840	CLAMPER FRONT BRAKE	1
	45156-KCC-840	CLAMPER FRONT BRAKE	1
3	53132-124-000	HOLDER, HANDLE PIPE UNDER	2
	53132-124-000	HOLDER, HANDLE PIPE UNDER	2
4	53133-198-900	RUBBER, HANDLE CUSHION UPPER	2
	53133-198-900	RUBBER, HANDLE CUSHION UPPER	2
5	53134-028-000	RUBBER, HANDLE CUSHION UNDER	2
	53134-028-000	RUBBER, HANDLE CUSHION UNDER	2
6	53135-198-900	WASHER, HANDLE CUSHION	2
	53135-198-900	WASHER, HANDLE CUSHION	2
7	53136-198-900	PLATE, HANDLE CUSHION	2
	53136-198-900	PLATE, HANDLE CUSHION	2
8	53230-KTR-940	BRIDGE COMP., FORK TOP	1
	53230-KTR-940	BRIDGE COMP., FORK TOP	1
9	90304-AAH-F00	NYLOCK NUT 10 MM	2
10	90304-KSP-900	NUT, STEERING STEM	1
	90304-KSP-900	NUT, STEERING STEM	1
11	90503-KTR-900	WASHER, STEERING STEM	1

F-6A : TOP BRIDGE

90503-KTR-900	WASHER, STEERING STEM	1
---------------	-----------------------	---

F-6B : STEERING STEM

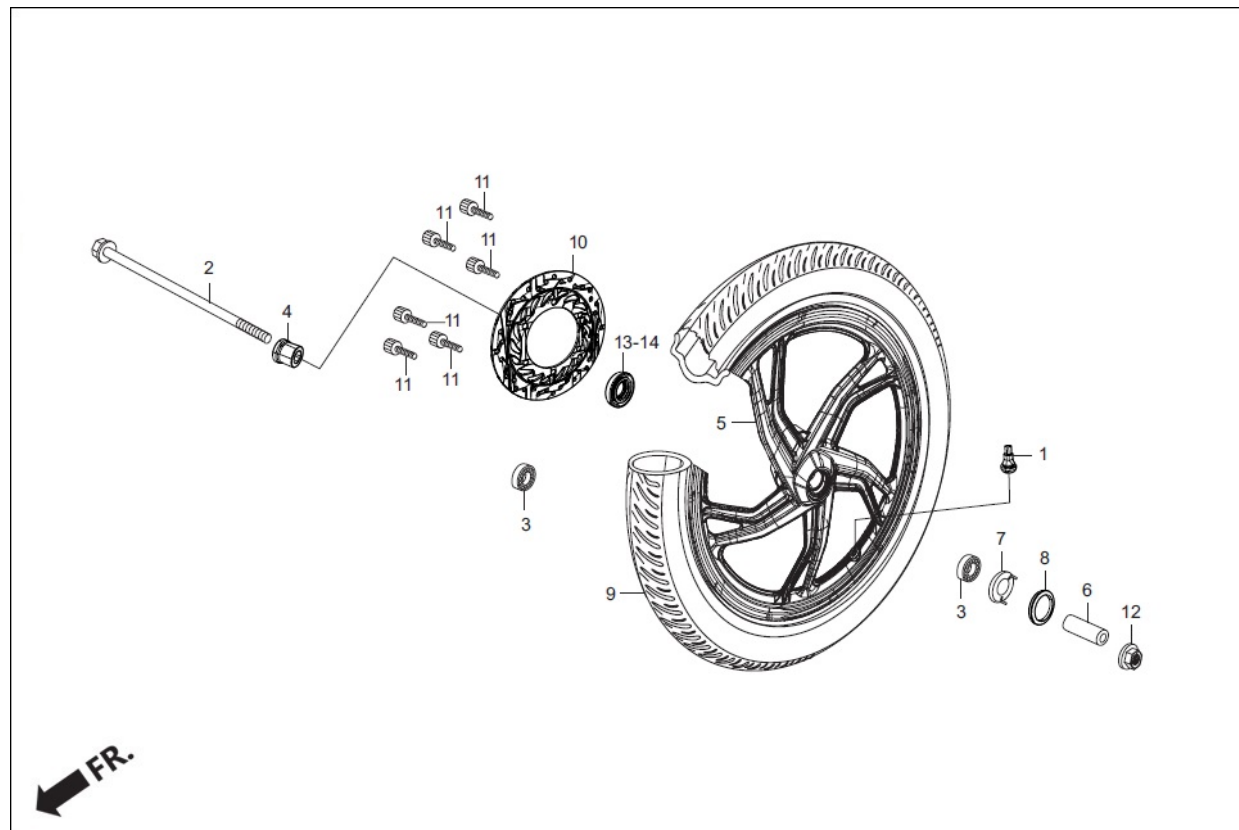


F-6B : STEERING STEM

Group Number: F-6B Model :: Ignitor 125 (May, 2017)

Ref No.	Part Number	Description	Req.
1	50301-KTR-900	RACE, STEERING BALL	2
	50301-KTR-900	RACE, STEERING BALL	2
2	53200-AAN-410	STEM COMP STRG	1
3	53211-268-010	RACE, STEERING TOP CONE	1
	53211-268-010	RACE, STEERING TOP CONE	1
4	53212-200-000	RACE, STEERING BOTTOM CONE	1
	53212-200-000	RACE, STEERING BOTTOM CONE	1
5	53214-200-000	DUST SEAL, STEERING HEAD	1
	53214-200-000	DUST SEAL, STEERING HEAD	1
6	53215-KTR-900	BALL, ASSY. STEERING	2
	53215-KTR-900	BALL, ASSY. STEERING	2
7	53221-KTR-900	THREAD, STEERING HEAD TOP	1
	53221-KTR-900	THREAD, STEERING HEAD TOP	1
8	53222-KTR-900	MUD GUARD, STEERING HEAD TOP	1
	53222-KTR-900	MUD GUARD, STEERING HEAD TOP	1
9	95701-08040-00	BOLT, FLANGE, 8 X 40	2
	95701-08040-00	BOLT, FLANGE, 8 X 40	2

F-7 : FRONT WHEEL



F-7 : FRONT WHEEL

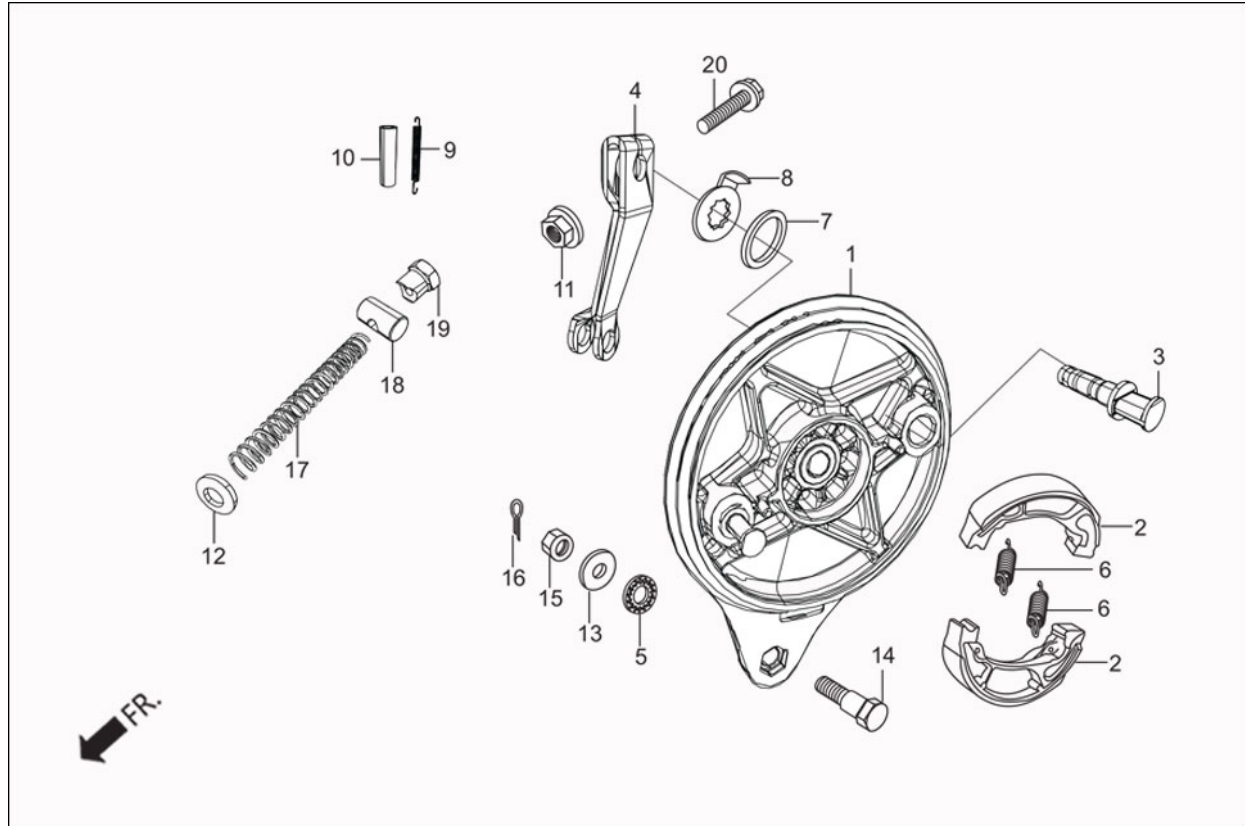
Group Number: F-7 **Model ::** Ignitor 125 (May, 2017)

Ref No.	Part Number	Description	Req.
1	42753-KWF-90099	RIM VALVE	1
2	44301-KTR-700	AXLE, FR. WHEEL	1
	44301-KTR-700	AXLE, FR. WHEEL	1
3	96150-63010-10	BEARING, BALL RADIAL, 6301 (UU)	2
	96150-63010-10	BEARING, BALL RADIAL, 6301 (UU)	2
4	44311-KRC-900	COLLAR, FR. WHEEL SIDE	1
	44311-KRC-900	COLLAR, FR. WHEEL SIDE	1
5	44601-AAN-421	WHEEL FRONT (DISC)	1
	44601-AAN-421	WHEEL FRONT (DISC)	1
6	44620-400-000	COLLAR, FRONT DISTANCE	1
	44620-400-000	COLLAR, FRONT DISTANCE	1
7	44680-410-000	RETAINER, GEAR BOX	1
	44680-410-000	RETAINER, GEAR BOX	1
8	91258-KEJ-900	DUST SEAL, 40 X 50 X 5	1
	91258-KEJ-900	DUST SEAL, 40 X 50 X 5	1
9	44711-AAN-41099	TIRE FRONT (DRUM)	1
	44711-AAN-41099	TIRE FRONT (DRUM)	1
10	45251-KSP-861	DISC, FR. BRAKE	1
	45251-KSP-861	DISC, FR. BRAKE	1
11	90105-MK5-010	BOLT, FR., DISC, 8 X 22	6

F-7 : FRONT WHEEL

	90105-MK5-010	BOLT, FR., DISC, 8 X 22	6
12	90306-KF0-000	NUT, FLANGE, 12 MM	1
	90306-KF0-000	NUT, FLANGE, 12 MM	1
	90306-KST-942	NUT, CASTLE, 12 MM	1
	90306-KST-942	NUT, CASTLE, 12 MM	1
	90306-KTE-911	NUT, CASTLE, 12 MM	1
	90306-KTE-911	NUT, CASTLE, 12 MM	1
13	90755-229-000	OIL SEAL, 21 X 37 X 7	1
	90755-229-000	OIL SEAL, 21 X 37 X 7	1
14	91251-KPH-901	DUST SEAL, 21 X 37 X 7	1
	91251-KPH-901	DUST SEAL, 21 X 37 X 7	1

F-8 : REAR BRAKE PANEL



F-8 : REAR BRAKE PANEL

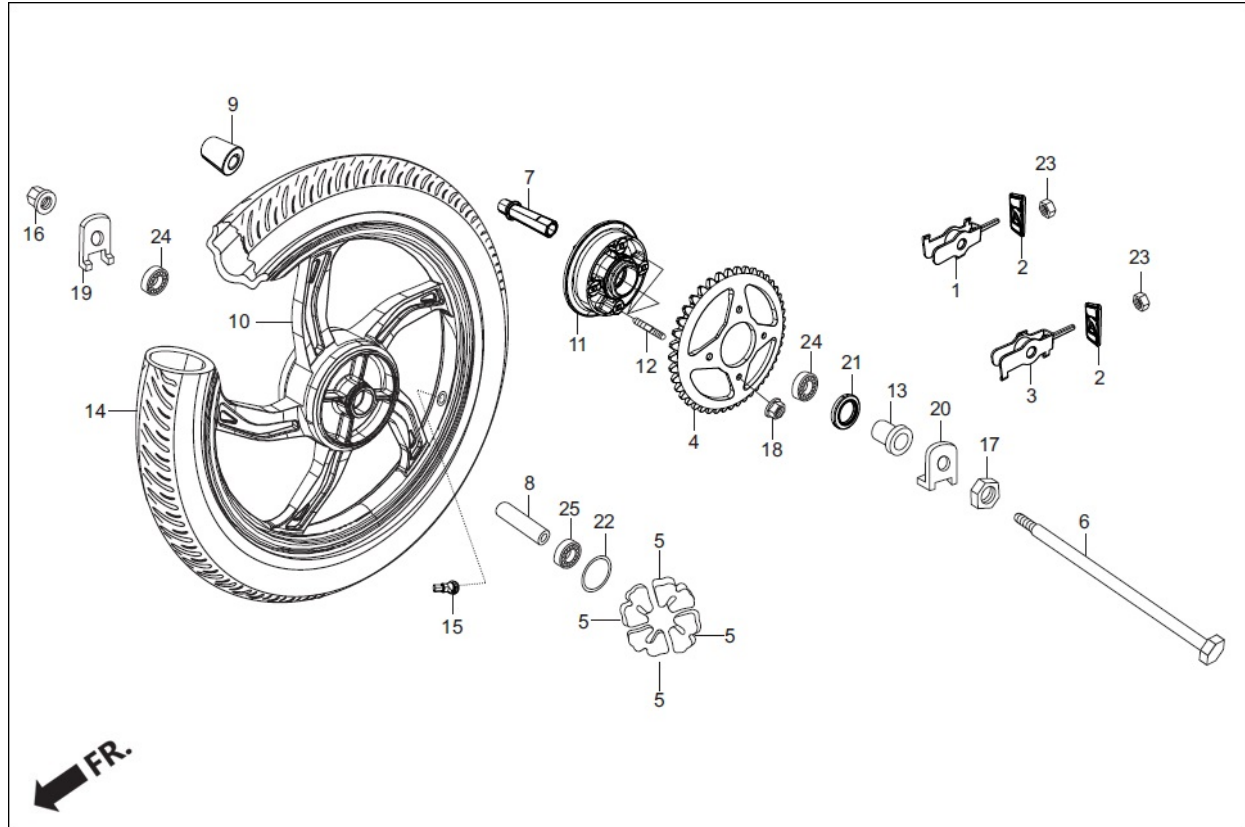
Group Number: F-8 **Model ::** Ignitor 125 (May, 2017)

Ref No.	Part Number	Description	Req.
1	43100-KTR-700	PANEL COMP., RR. BRAKE	1
	43100-KTR-700	PANEL COMP., RR. BRAKE	1
2	45125-AAH-F0099	SHOE COMP BRAKE	2
	45125-AAH-F0099	SHOE COMP BRAKE	2
3	43141-KTC-900	CAM, REAR BRAKE	1
	43141-KTC-900	CAM, REAR BRAKE	1
4	43410-KCT-690	ARM, REAR BRAKE	1
	43410-KCT-690	ARM, REAR BRAKE	1
5	43434-286-000	RUBBER, STOPPER ARM CUSHION	1
	43434-286-000	RUBBER, STOPPER ARM CUSHION	1
6	45133-KCC-900	SPRING, FR. BRAKE SHOE	2
	45133-KCC-900	SPRING, FR. BRAKE SHOE	2
7	45134-250-000	DUST SEAL, BRAKE CAM	1
	45134-250-000	DUST SEAL, BRAKE CAM	1
8	45145-KFM-900	INDICATOR, FR. BRK	1
	45145-KFM-900	INDICATOR, FR. BRK	1
9	46514-KCC-900	SPRING , BRAKE PEDAL	1
	46514-KCC-900	SPRING , BRAKE PEDAL	1
10	46515-KB9-000	TUBE , BRAKE PEDAL SPRING	1
	46515-KB9-000	TUBE , BRAKE PEDAL SPRING	1

F-8 : REAR BRAKE PANEL

11	90301-473-000	NUT,U 6MM	1
	90301-473-000	NUT,U 6MM	1
12	90502-198-900	WASHER , BRAKE ROD	1
	90502-198-900	WASHER , BRAKE ROD	1
13	90505-425-000	WASHER, 8 MM	1
	90505-425-000	WASHER, 8 MM	1
14	92811-10000	BOLT A BRAKE STOPPER	1
	92811-10000	BOLT A BRAKE STOPPER	1
15	94001-08000-0S	NUT, HEX., 8 MM	1
	94001-08000-0S	NUT, HEX., 8 MM	1
16	94201-20150	PIN, SPLIT, 2.0 X 15	1
	94201-20150	PIN, SPLIT, 2.0 X 15	1
17	95014-73100	SPRING A BRAKE ROD	1
	95014-73100	SPRING A BRAKE ROD	1
18	95015-32001	JOINT B BRAKE ARM	1
	95015-32001	JOINT B BRAKE ARM	1
19	95015-42000	NUT B ADJUST	1
	95015-42000	NUT B ADJUST	1
20	95701-06035-00	BOLT, FLANGE, 6X35	1
	95701-06035-00	BOLT, FLANGE, 6X35	1

F-9 : REAR WHEEL



F-9 : REAR WHEEL

Group Number: F-9 **Model ::** Ignitor 125 (May, 2017)

Ref No.	Part Number	Description	Req.
1	40543-KTR-900	ADJUSTER COMP., L CHAIN	1
	40543-KTR-900	ADJUSTER COMP., L CHAIN	1
2	40546-KPG-T00	CAP SWINGARM, END	2
	40546-KPG-T00	CAP SWINGARM, END	2
3	40546-KTR-900	ADJUSTER COMP., R CHAIN	1
	40546-KTR-900	ADJUSTER COMP., R CHAIN	1
4	41201-AAJ-H00	SPROCKET, FINAL DRIVEN (44T)	1
	41201-AAJ-H00	SPROCKET, FINAL DRIVEN (44T)	1
5	41241-AAN-410	DAMPER, REAR WHEEL	4
	41241-AAN-410	DAMPER, REAR WHEEL	4
6	42301-KTR-700	AXLE, REAR WHEEL	1
	42301-KTR-700	AXLE, REAR WHEEL	1
7	42303-KTR-900	SLEEVE, REAR WHEEL	1
	42303-KTR-900	SLEEVE, REAR WHEEL	1
8	42304-KTC-900	COLLAR, RR.AXLE SLEEVE	1
	42304-KTC-900	COLLAR, RR.AXLE SLEEVE	1
9	42313-198-900	COLLAR, RR. BRAKE PANEL SIDE	1
	42313-198-900	COLLAR, RR. BRAKE PANEL SIDE	1
10	42601-AAN-411	WHEEL COMP. REAR	1
	42601-AAN-411	WHEEL COMP. REAR	1

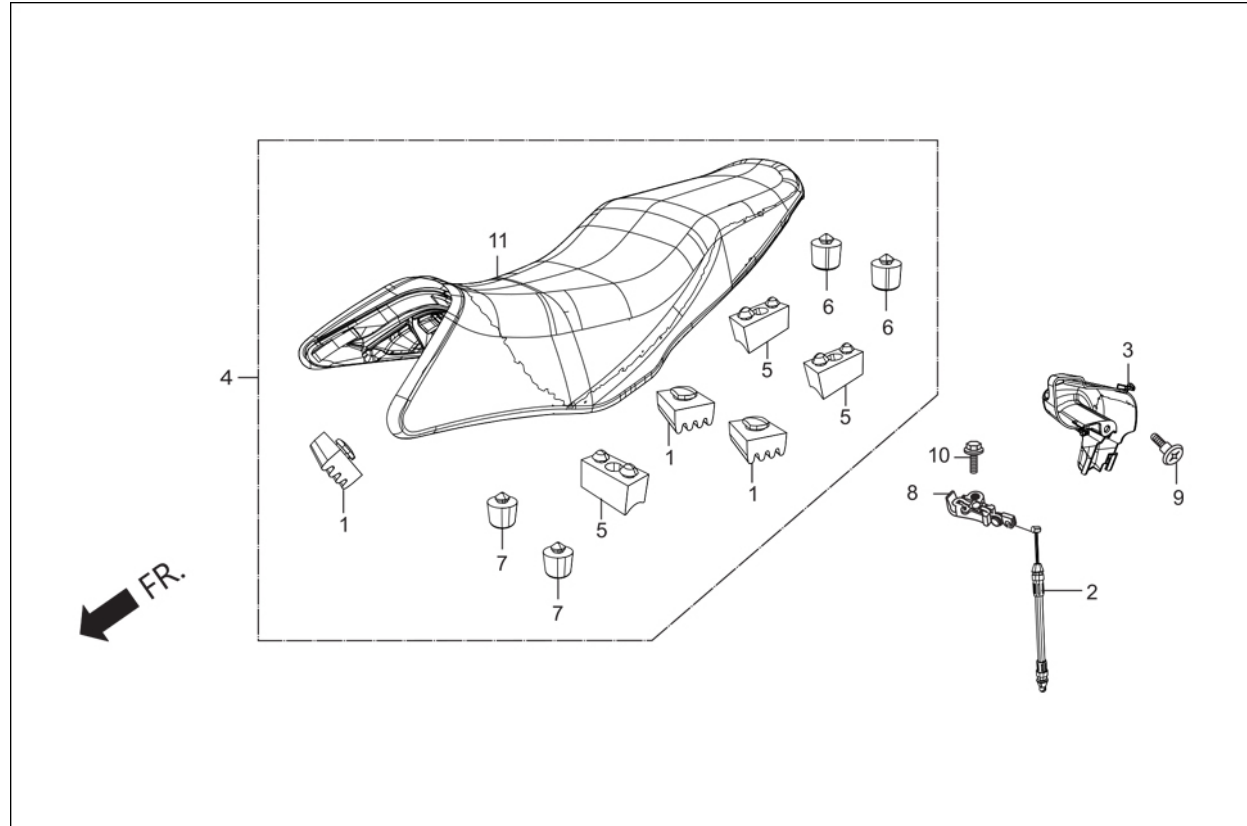
F-9 : REAR WHEEL

11	42611-KTC-900	FLANGE, FINAL DRIVEN	1
	42611-KTC-900	FLANGE, FINAL DRIVEN	1
12	42615-198-900	BOLT, STUD., 8 X 42	4
	42615-198-900	BOLT, STUD., 8 X 42	4
13	42620-KTR-700	COLLAR, REAR AXLE DISTANCE	1
	42620-KTR-700	COLLAR, REAR AXLE DISTANCE	1
14	42711-AAN-41099	TIRE REAR	1
	42711-AAN-41099	TIRE REAR	1
15	42753-KWF-90099	RIM VALVE	1
16	90306-KF0-000	NUT, FLANGE, 12 MM	1
	90306-KF0-000	NUT, FLANGE, 12 MM	1
	90306-KST-942	NUT, CASTLE, 12 MM	1
	90306-KST-942	NUT, CASTLE, 12 MM	1
	90306-KTE-911	NUT, CASTLE, 12 MM	1
	90306-KTE-911	NUT, CASTLE, 12 MM	1
17	90307-001-000	NUT ,RR. AXLE SLEEVE	1
	90307-001-000	NUT ,RR. AXLE SLEEVE	1
18	90308-KWA-940	NUT PT. 8MM	4
19	90558-KTR-900	WASHER, RR AXLE (RIGHT)	1
	90558-KTR-900	WASHER, RR AXLE (RIGHT)	1
20	90559-KTR-900	WASHER, RR AXLE (LEFT)	1
	90559-KTR-900	WASHER, RR AXLE (LEFT)	1

F-9 : REAR WHEEL

21	90753-029-000	OIL SEAL, 27 X 40 X 6	1
	90753-029-000	OIL SEAL, 27 X 40 X 6	1
22	91304-704-000	O-RING 42 MM	1
	91304-704-000	O-RING 42 MM	1
23	94001-06000-0S	NUT, HEX., 6 MM	2
	94001-06000-0S	NUT, HEX., 6 MM	2
24	96140-63010-10	BEARING, RADIAL BALL, 6301U	2
	96140-63010-10	BEARING, RADIAL BALL, 6301U	2
25	96150-62030-10	BEARING, BALL RADIAL, 6203 (UU)	1
	96150-62030-10	BEARING, BALL RADIAL, 6203 (UU)	1

F-10 : SEAT ASSY. DOUBLE



F-10 : SEAT ASSY. DOUBLE

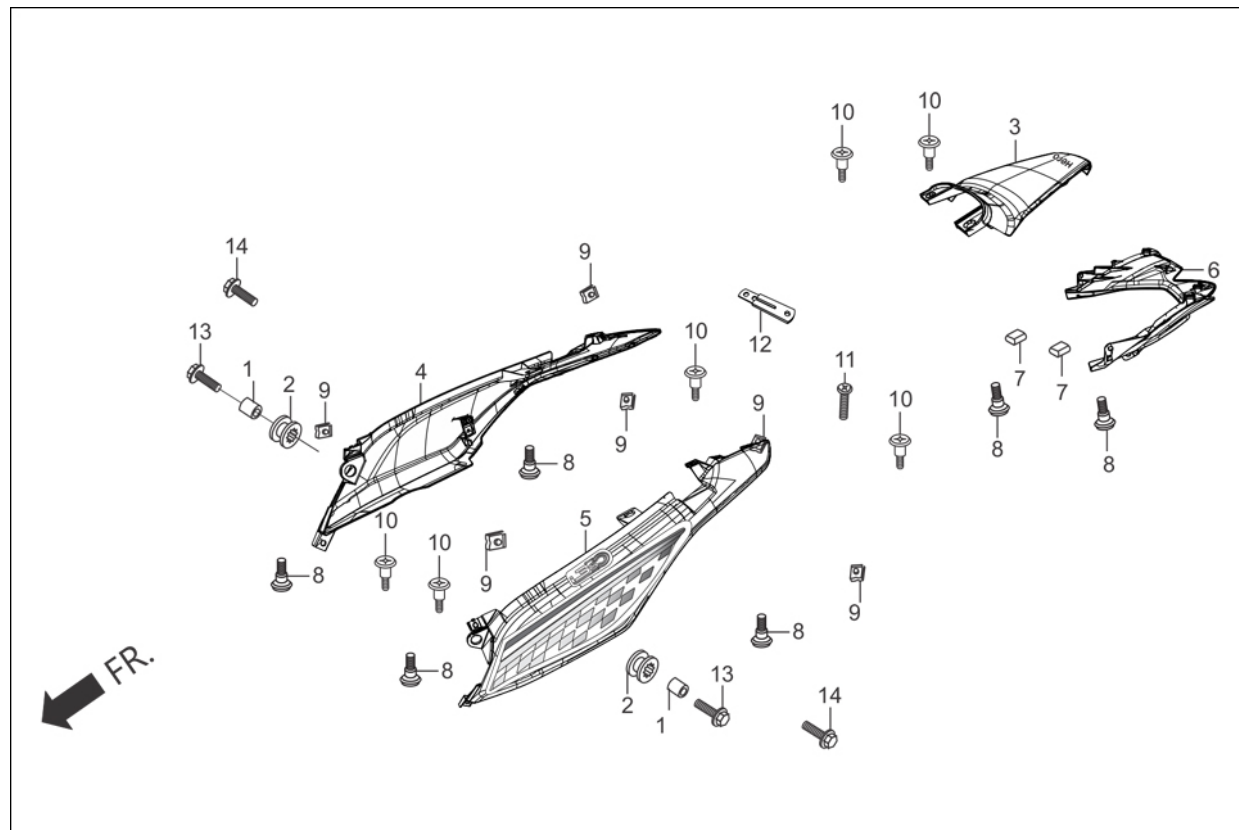
Group Number: F-10 **Model ::** Ignitor 125 (May, 2017)

Ref No.	Part Number	Description	Req.
1	50524-001-000	RUBBER, MAIN STAND STOPPER	3
	50524-001-000	RUBBER, MAIN STAND STOPPER	3
2	77156-AAN-410	CABLE,SEAT LOCK	1
	77156-AAN-410	CABLE,SEAT LOCK	1
3	77160-AAN-410	COVER SEAT LOCK CABLE	1
	77160-AAN-410	COVER SEAT LOCK CABLE	1
4	77200-AAN-410	SEAT ASSY DOUBLE	1
	77200-AAN-410	SEAT ASSY DOUBLE	1
5	77204-KCC-900	RUBBER, `A SEAT SETTING	3
	77204-KCC-900	RUBBER, `A SEAT SETTING	3
6	77206-KCC-900	RUBBER, SEAT CUSHION	2
	77206-KCC-900	RUBBER, SEAT CUSHION	2
7	77206-KTR-900	RUBBER, SEAT CUSHION	2
	77206-KTR-900	RUBBER, SEAT CUSHION	2
8	77220-KY6-000	HOOK, SEAT CATCH	1
	77220-KY6-000	HOOK, SEAT CATCH	1
9	90101-087-720	SCREW, HEAD LIGHT SET	1
10	95701-06012-00	BOLT, FLANGE, 6X12	1
	95701-06012-00	BOLT, FLANGE, 6X12	1
11	7720A-AAN-410	COVER , SEAT ASSY. DOUBLE	1

F-10 : SEAT ASSY. DOUBLE

7720A-AAN-410	COVER , SEAT ASSY. DOUBLE	1
---------------	---------------------------	---

F-10A : BODY COVER



F-10A : BODY COVER

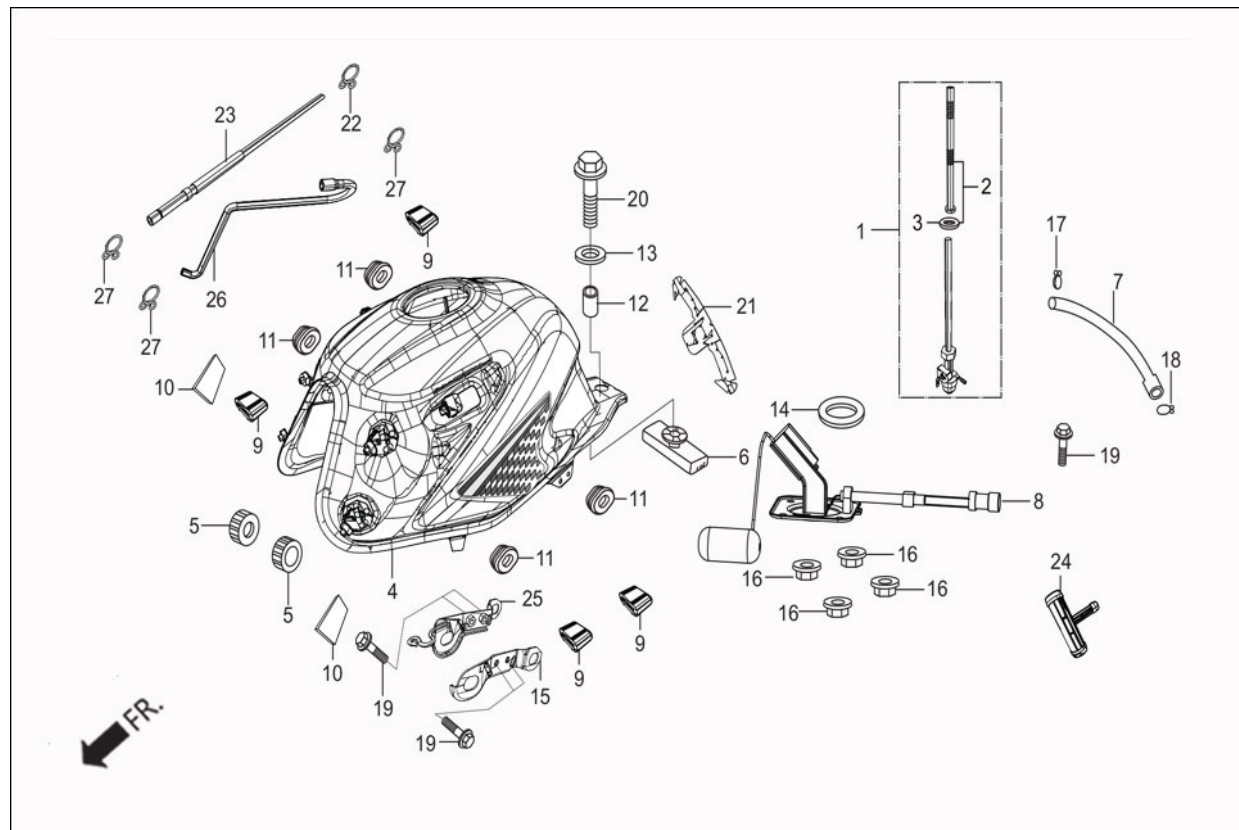
Group Number: F-10A **Model ::** Ignitor 125 (May, 2017)

Ref No.	Part Number	Description	Req.
1	17509-398-960	COLLAR, TANK SET	2
	17509-398-960	COLLAR, TANK SET	2
2	77202-KCC-900	RUBBER, SEAT MOUNTING	2
	77202-KCC-900	RUBBER, SEAT MOUNTING	2
3	77237-AAN-400R	SET CENTER RR COWL(BLACK NH-1(T1)	1
	77237-AAN-400S	SET CENTER RR COWL(BLACK NH-1(T2)	1
	77237-AAN-400T	SET CENTER RR COWL(BLACK NH-1(T3)	1
	77237-AAN-400U	SET CENTER RR COWL(CBR R-195C)	1
4	77240-AAN-400R	SET R SIDE COWL(BLACK NH-1(T1)	1
	77240-AAN-400S	SET R SIDE COWL(BLACK NH-1(T2)	1
	77240-AAN-400T	SET R SIDE COWL(BLACK NH-1(T3)	1
	77240-AAN-400U	SET R SIDE COWL(CBR R-195C)	1
5	77250-AAN-400R	SET L SIDE COWL(BLACK NH-1(T1)	1
	77250-AAN-400S	SET L SIDE COWL(BLACK NH-1(T2)	1
	77250-AAN-400T	SET L SIDE COWL(BLACK NH-1(T3)	1
	77250-AAN-400U	SET L SIDE COWL(CBR R-195C)	1
6	77266-AAN-410	COWL RR UNDER	1
	77266-AAN-410	COWL RR UNDER	1
7	77267-KTR-900	RUBBER, COWL	2
	77267-KTR-900	RUBBER, COWL	2

F-10A : BODY COVER

8	90101-GE0-000	SCREW, HINGE PATCH	6
9	90320-GC3-000	NUT, SPRING, M5	6
10	91509-GE2-760	SCREW, WASHER, 5 X 11.5	6
11	93903-34380	SCREW, TAPPING, 4X12	1
	93903-34380	SCREW, TAPPING, 4X12	1
12	94591-27000	CLIP 2 X 70	1
	94591-27000	CLIP 2 X 70	1
13	95701-06025-07	BOLT FLANGE 6X25	2
	95701-06025-07	BOLT FLANGE 6X25	2
14	95701-06022-00	BOLT, FLANGE, SH. 6 X 22	2
	95701-06022-00	BOLT, FLANGE, SH. 6 X 22	2

F-11 : FUEL TANK



F-11 : FUEL TANK

Group Number: F-11 Model :: Ignitor 125 (May, 2017)

Ref No.	Part Number	Description	Req.
1	16950-AAN-400099	COCK ASSY. FUEL	1
	16950-AAN-400099	COCK ASSY. FUEL	1
2	16952-AAN-410	SET, FUEL STRAINER SCREEN	1
	16952-AAN-410	SET, FUEL STRAINER SCREEN	1
3	16958-397-770	O-RING	1
4	17520-AAN-400R	SET FUEL TANK (BLACK NH-1) TYPE-1	1
	17520-AAN-400S	SET FUEL TANK (BLACK NH-1) TYPE-2	1
	17520-AAN-400T	SET FUEL TANK (BLACK NH-1) TYPE-3	1
	17520-AAN-400U	SET FUEL TANK (CANDY BLAZING RED, R-195C)	1
5	17611-KRM-860	CUSHION, FR. FUEL TANK	2
	17611-KRM-860	CUSHION, FR. FUEL TANK	2
6	17613-KCC-900	CUSHION, RR. TANK	1
	17613-KCC-900	CUSHION, RR. TANK	1
7	17681-KTC-900	TUBE,FUEL	1
	17681-KTC-900	TUBE,FUEL	1
8	37800-AAN-410099	UNIT ASSY FUEL	1
	37800-AAN-410099	UNIT ASSY FUEL	1
9	77267-KTR-900	RUBBER, COWL	4
	77267-KTR-900	RUBBER, COWL	4
10	83407-KWA-830	CUSHION, FR. VISOR	2

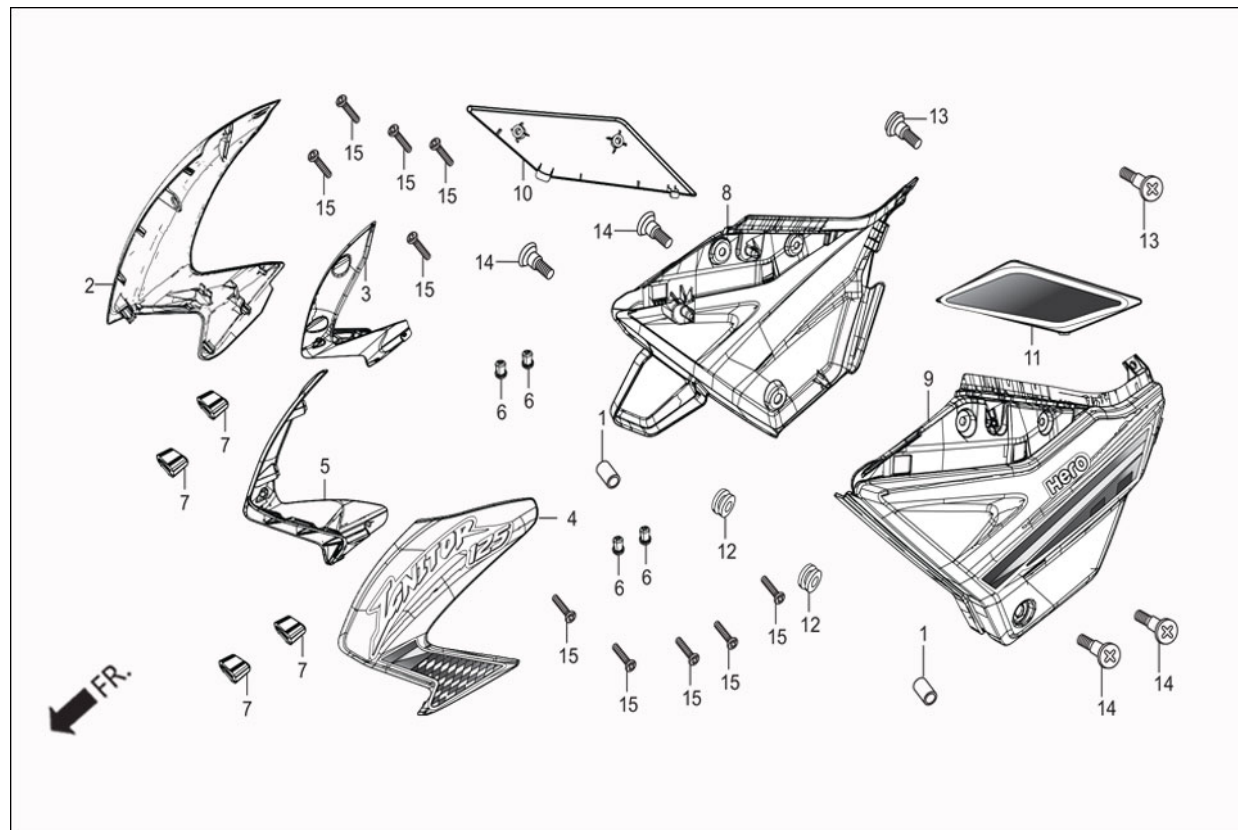
F-11 : FUEL TANK

	83407-KWA-830	CUSHION, FR.VISOR	2
11	83551-300-000	GROMMET, AIR CLEANER CASE	4
	83551-300-000	GROMMET, AIR CLEANER CASE	4
12	90324-KCC-900	COLLAR, 8 MM	1
	90324-KCC-900	COLLAR, 8 MM	1
13	90325-KCC-900	WASHER, PLAIN, 8 MM	1
	90325-KCC-900	WASHER, PLAIN, 8 MM	1
14	91305-MC7-000	O-RING, 39.5 X 5	1
	91305-MC7-000	O-RING, 39.5 X 5	1
15	17555-AAN-410	STAY, SIDE COVER LH. ASSY.	1
	17555-AAN-410	STAY, SIDE COVER LH. ASSY.	1
16	94050-06000	NUT, FLANGE, 6 MM	4
	94050-06000	NUT, FLANGE, 6 MM	4
17	95002-02080	CLIP, TUBE	1
18	95002-02100	CLIP, B-10 TUBE	1
19	95701-06012-00	BOLT, FLANGE, 6X12	5
	95701-06012-00	BOLT, FLANGE, 6X12	5
20	95701-08035-00	BOLT, FLANGE, 8 X 35	1
	95701-08035-00	BOLT, FLANGE, 8 X 35	1
21	17506-AAN-410	TANK FILM PROTECTOR	1
22	95002-02100	CLIP, B-10 TUBE	1
23	17199-AAN-410	TUBE DRAIN B	1

F-11 : FUEL TANK

	17199-AAN-410	TUBE DRAIN B	1
24	17230-AAN-410	JOINT 3 WAY,DRAIN	1
	17230-AAN-410	JOINT 3 WAY,DRAIN	1
25	17554-AAN-410	STAY, SIDE COVER RH. ASSY.	1
	17554-AAN-410	STAY, SIDE COVER RH. ASSY.	1
26	17682-AAN-410	TUBE DRAIN A	1
	17682-AAN-410	TUBE DRAIN A	1
27	95002-02080	CLIP, TUBE	12

F-12 : SIDE COVER AND FUEL TANK SHROUD



F-12 : SIDE COVER AND FUEL TANK SHROUD

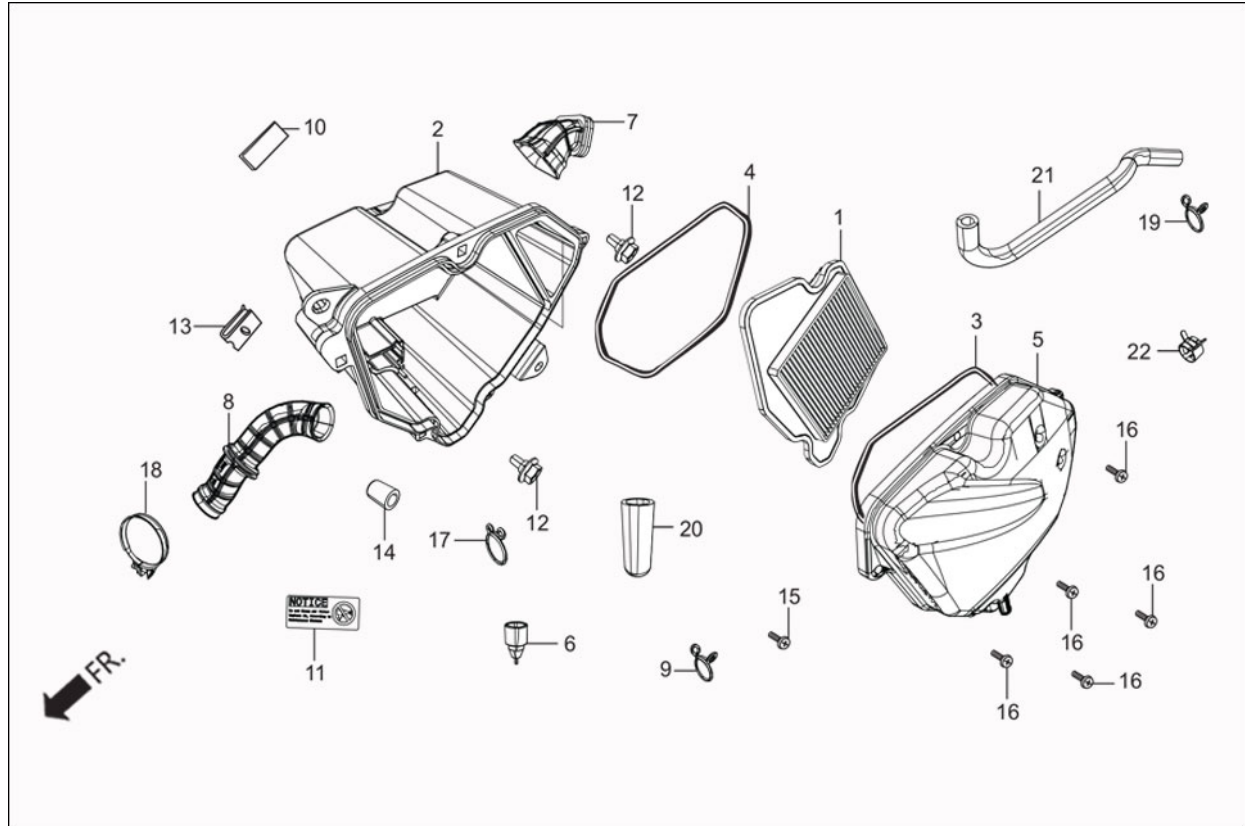
Group Number: F-12 Model :: Ignitor 125 (May, 2017)

Ref No.	Part Number	Description	Req.
1	19052-KV0-000	COLLAR, RADIATOR MTG	2
	19052-KV0-000	COLLAR, RADIATOR MTG	2
2	50261-AAN-F00R	SET R FT COWL(BLACK NH-1(T1)	1
	50261-AAN-F00S	SET R FT COWL(BLACK NH-1(T2)	1
	50261-AAN-F00T	SET R FT COWL(BLACK NH-1(T3)	1
	50261-AAN-F00U	SET R FT COWL(CBR R-195C)	1
3	50265-AAN-410	FT INNER COWL RH	1
	50265-AAN-410	FT INNER COWL RH	1
4	50271-AAN-F00R	SET L FT COWL(BLACK NH-1(T1)	1
	50271-AAN-F00S	SET L FT COWL(BLACK NH-1(T2)	1
	50271-AAN-F00T	SET L FT COWL(BLACK NH-1(T3)	1
	50271-AAN-F00U	SET L FT COWL(CBR R-195C)	1
5	50275-AAN-410	FT INNER COWL LH	1
	50275-AAN-410	FT INNER COWL LH	1
6	61312-149-300	BOOT, HEADLIGHT BRACKET	4
	61312-149-300	BOOT, HEADLIGHT BRACKET	4
7	77267-KTR-900	RUBBER, COWL	4
	77267-KTR-900	RUBBER, COWL	4
8	83500-AAN-400R	SET R SIDE COV(BLACK NH-1(T1)	1
	83500-AAN-400S	SET R SIDE COV(BLACK NH-1(T2)	1

F-12 : SIDE COVER AND FUEL TANK SHROUD

	83500-AAN-400T	SET R SIDE COV(BLACK NH-1(T3)	1
	83500-AAN-400U	SET R SIDE COV(CBR R-195C)	1
9	83600-AAN-400R	SET L SIDE COV(BLACK NH-1(T1)	1
	83600-AAN-400S	SET L SIDE COV(BLACK NH-1(T2)	1
	83600-AAN-400T	SET L SIDE COV(BLACK NH-1(T3)	1
	83600-AAN-400U	SET L SIDE COV(CBR R-195C)	1
10	83505-AAN-400R	SET R COV FT(BLACK NH-1(T1)	1
	83505-AAN-400S	SET R COV FT(BLACK NH-1(T2)	1
	83505-AAN-400T	SET R COV FT(BLACK NH-1(T3)	1
	83505-AAN-400U	SET R COV FT(CBR R-195C)	1
11	83605-AAN-400R	SET L COV FT(BLACK NH-1(T1)	1
	83605-AAN-400S	SET L COV FT(BLACK NH-1(T2)	1
	83605-AAN-400T	SET L COV FT(BLACK NH-1(T3)	1
	83605-AAN-400U	SET L COV FT(CBR R-195C)	1
12	83545-KVN-900	RUBBER, SIDE COVER	2
	83545-KVN-900	RUBBER, SIDE COVER	2
13	90105-KVN-900	BOLT, SPECIAL 6 X 22	2
14	90109-SB6-000	SCREW, TRUSS, 5X14	4
	90109-SB6-000	SCREW, TRUSS, 5X14	4
15	93903-24380	SCREW TAPPING, 4 X 12	10
	93903-24380	SCREW TAPPING, 4 X 12	10

F-13 : AIR CLEANER



F-13 : AIR CLEANER

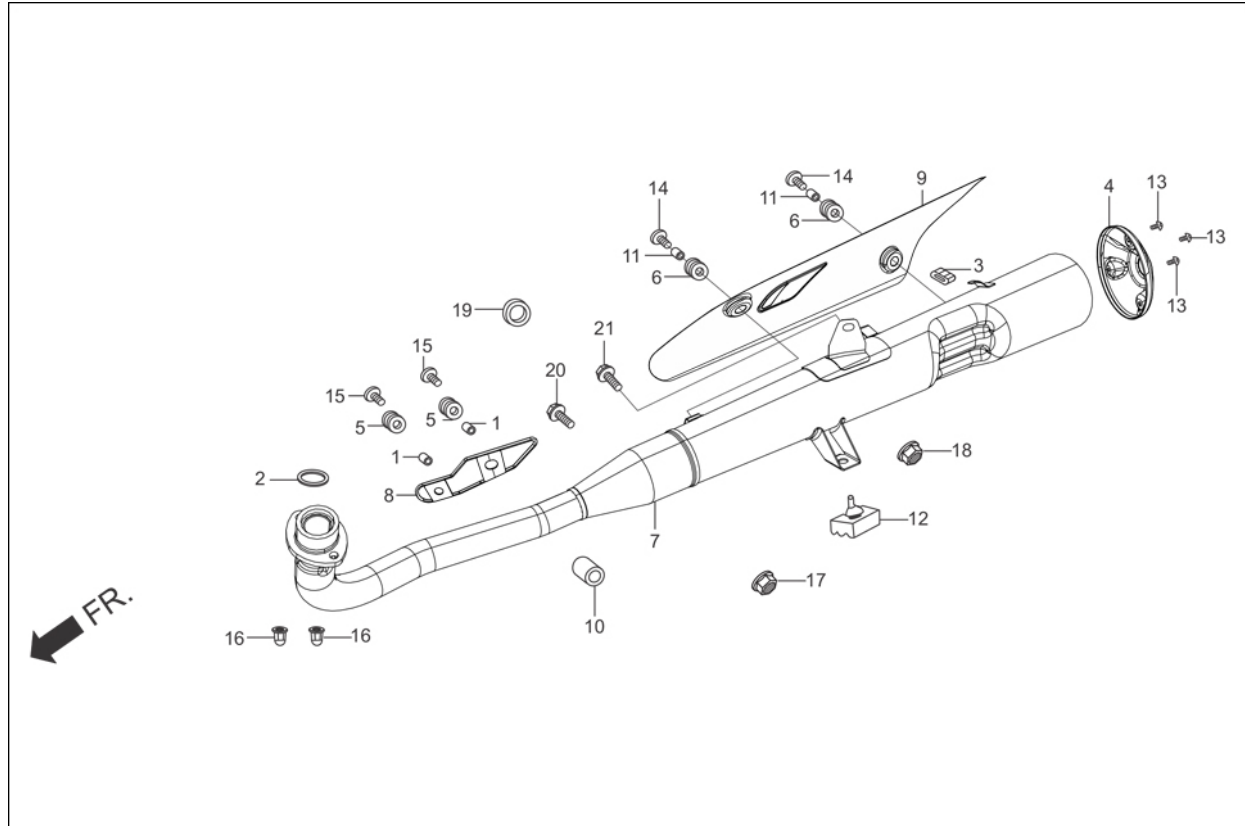
Group Number: F-13 **Model ::** Ignitor 125 (May, 2017)

Ref No.	Part Number	Description	Req.
1	17208-AAT-000	HOLDER COMP ELEMENT	1
	17208-AAT-000	HOLDER COMP ELEMENT	1
2	17210-AAN-410	CASE AIR/C	1
	17210-AAN-410	CASE AIR/C	1
3	17218-AAT-000	SEAL AIR CLEANER CASE	1
	17218-AAT-000	SEAL AIR CLEANER CASE	1
4	17219-KTC-900	SEAL, A/I CLEANER	1
	17219-KTC-900	SEAL, A/I CLEANER	1
5	17220-AAT-000	COVER AIR/C CASE	1
	17220-AAT-000	COVER AIR/C CASE	1
6	17234-KCC-940	TUBE AIR CLEANER DRAIN	1
	17234-KCC-940	TUBE AIR CLEANER DRAIN	1
7	17251-AAN-410	DUCT AIR/C INLET	1
	17251-AAN-410	DUCT AIR/C INLET	1
8	17253-AAN-410	TUBE AIR/C CONN.	1
	17253-AAN-410	TUBE AIR/C CONN.	1
9	17369-198-770	CLIP BREATHER TUBE	1
10	83407-KTR-940	RUBBER, BATTERY	1
	83407-KTR-940	RUBBER, BATTERY	1
11	87509-AAP-000	LABEL AIR/C ELEMENT NOTICE	1

F-13 : AIR CLEANER

12	90111-187-000	BOLT, FLANGE. 6 MM	2
	90111-187-000	BOLT, FLANGE. 6 MM	2
13	90311-MT3-000	NUT, CLIP, 6 MM	1
14	18651-KST-900	PLUG,AIR/C	1
15	93500-04025-0G	SCREW, PAN, 4X25	1
	93500-04025-0G	SCREW, PAN, 4X25	1
16	93893-05025-00	SCREW WASHER 5X25	5
	93893-05025-00	SCREW WASHER 5X25	5
17	95002-80000	CLIP,C12 TUBE	2
18	95018-50250	BAND 50 AIR/C CONN.TUBE	1
19	95002-02130	CLIP B 12.5 TUBE	1
20	17227-ABA-000	V.TUBE 11X15X40	1
	17227-ABA-000	V.TUBE 11X15X40	1
21	17371-AAN-410	TUBE BREATHER	1
	17371-AAN-410	TUBE BREATHER	1
	17371-AAN-D00	TUBE BREATHER	1
	17371-AAN-D00	TUBE BREATHER	1
22	91406-KFN-850	CLAMP, D14.5 TUBE	1

F-14 : MUFFLER



F-14 : MUFFLER

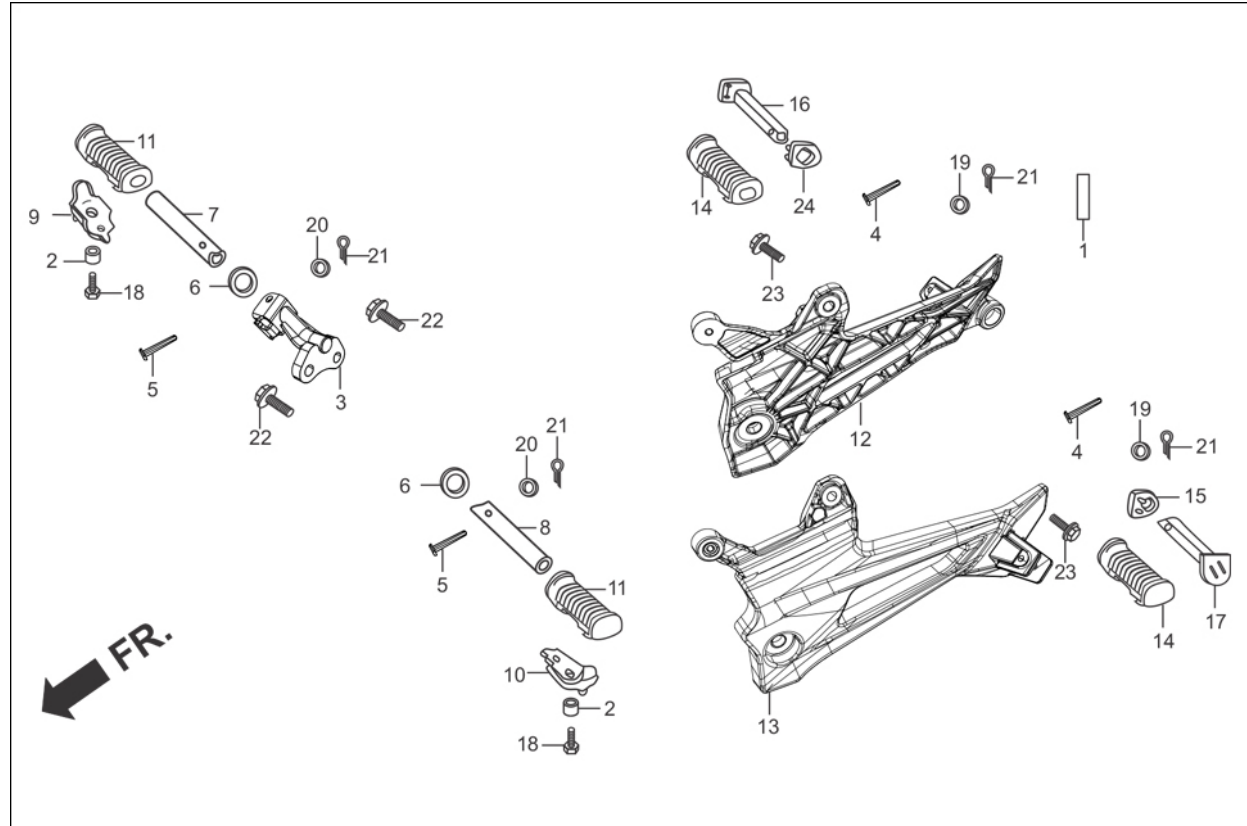
Group Number: F-14 **Model ::** Ignitor 125 (May, 2017)

Ref No.	Part Number	Description	Req.
1	17221-KA4-300	COLLAR CONN TUBE	2
	17221-KA4-300	COLLAR CONN TUBE	2
2	18291-AAT-000	GASKET EX PIPE	1
	18291-AAT-000	GASKET EX PIPE	1
3	18293-KPK-900	RUBBER, PKG. PROTECTOR	1
	18293-KPK-900	RUBBER, PKG. PROTECTOR	1
4	18340-AAN-410	COVER TAIL CAP	1
	18340-AAN-410	COVER TAIL CAP	1
5	18345-KST-940	RUBBER PROTECTOR	2
	18345-KST-940	RUBBER PROTECTOR	2
6	18345-MBT-610	RUBBER, PROTECTOR, MOUNT	2
	18345-MBT-610	RUBBER, PROTECTOR, MOUNT	2
7	18350-AAN-410	MUFFLER COMP EXH	1
8	18351-AAN-410	COVER EXHAUST PIPE	1
	18351-AAN-410	COVER EXHAUST PIPE	1
9	18355-AAN-410	COVER MUFFLER	1
	18355-AAN-410	COVER MUFFLER	1
10	18442-KRC-900	COLLAR, MUFFLER MOUNT	1
	18442-KRC-900	COLLAR, MUFFLER MOUNT	1
11	33619-459-840A	COLLAR,WINKER STAY	2

F-14 : MUFFLER

	33619-459-840A	COLLAR,WINKER STAY	2
12	50505-KCC-900	STOPPER RUBBER, A STAND	1
	50505-KCC-900	STOPPER RUBBER, A STAND	1
13	90101-KTR-900	BOLT, SPECIAL 5X8	3
	90101-KTR-900	BOLT, SPECIAL 5X8	3
14	90107-KAN-900	BOLT, BODY COVER SET	2
	90107-KAN-900	BOLT, BODY COVER SET	2
15	90107-KST-940	SCREW MUFF. PROTECTOR MOUNT	2
	90107-KST-940	SCREW MUFF. PROTECTOR MOUNT	2
16	90304-KPH-900	NUT, HEX. CAP, 8 MM	2
17	94050-08000	NUT, FLANGE, 8MM	1
	94050-08000	NUT, FLANGE, 8MM	1
18	94050-10000	NUT, FLANGE, 10MM	1
	94050-10000	NUT, FLANGE, 10MM	1
19	94103-10000	WASHER, PLAIN, 10MM	2
	94103-10000	WASHER, PLAIN, 10MM	2
20	95701-08016-00	BOLT, FLANGE, 8X16	1
	95701-08016-00	BOLT, FLANGE, 8X16	1
21	95801-10055-00	BOLT, FLANGE, 10X55	1
	95801-10055-00	BOLT, FLANGE, 10X55	1

F-15 : STEP ASSY.



F-15 : STEP ASSY.

Group Number: F-15 Model :: Ignitor 125 (May, 2017)

Ref No.	Part Number	Description	Req.
1	18421-438-670	RUBBER, MUFFLER MOUNT	1
	18421-438-670	RUBBER, MUFFLER MOUNT	1
2	37243-323-000	COLLAR , METER SET	2
	37243-323-000	COLLAR , METER SET	2
3	50160-AAN-410	BRKT COMP R STEP	1
	50160-AAN-410	BRKT COMP R STEP	1
4	50603-AAN-410	PIN STEP BAR JOINT	2
	50603-AAN-410	PIN STEP BAR JOINT	2
5	50603-KB4-000	PIN, MAIN STEP BAR JOINT	2
6	50614-413-000	WASHER, MAIN STEP	2
	50614-413-000	WASHER, MAIN STEP	2
7	50618-KCC-000	BAR R STEP	1
8	50619-KCC-000	BAR L STEP	1
9	50620-KTC-900	STOPPER, R STEP RUBBER	1
	50620-KTC-900	STOPPER, R STEP RUBBER	1
10	50621-KTC-900	STOPPER, L RUBBER STEP	1
	50621-KTC-900	STOPPER, L RUBBER STEP	1
11	50661-425-670	RUBBER STEP	2
	50661-425-670	RUBBER STEP	2
12	50701-AAN-410	BRKT COMP R P STEP	1

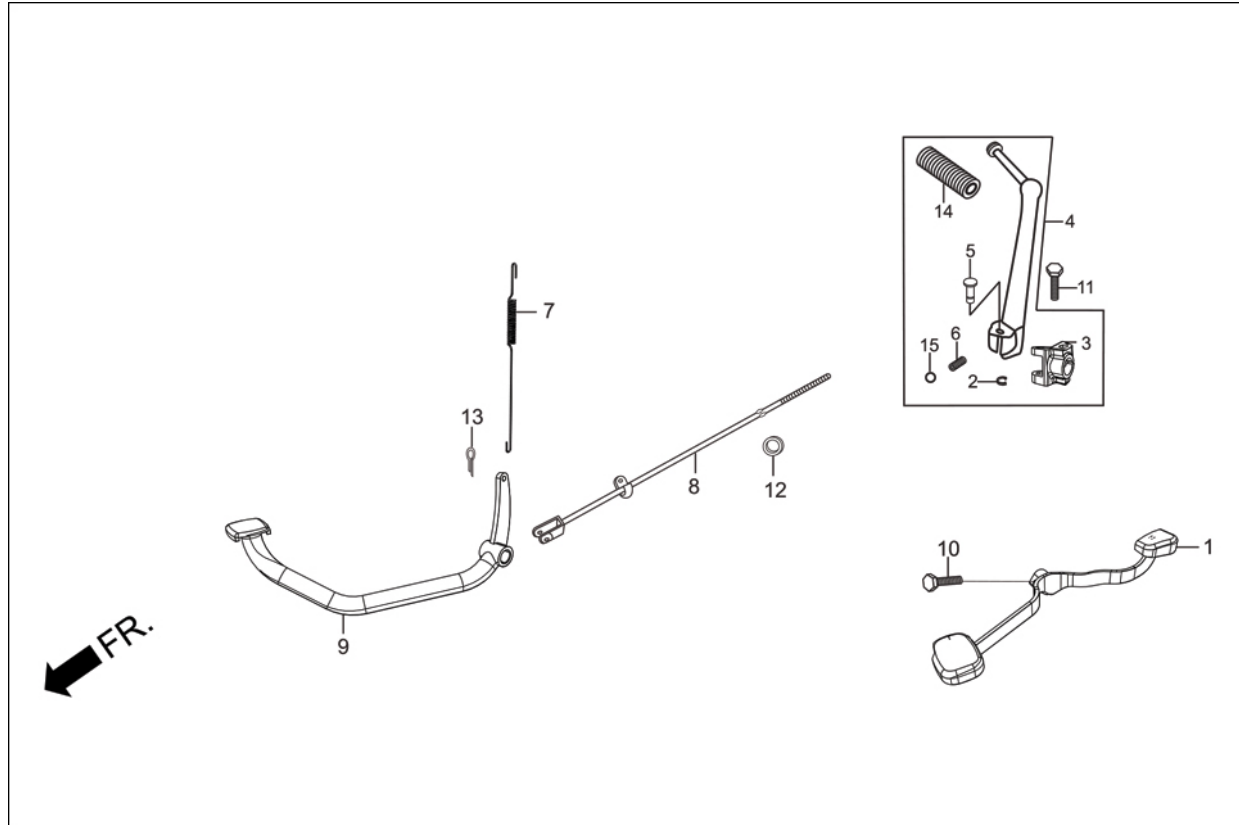
F-15 : STEP ASSY.

	50701-AAN-410	BRKT COMP R P STEP	1
13	50702-AAN-410	BRKT COMP L P STEP	1
	50702-AAN-410	BRKT COMP L P STEP	1
14	50710-461-770	RUBBER, STEP PILLION	2
	50710-461-770	RUBBER, STEP PILLION	2
15	50713-438-730	WASHER L PILLOIN STEP	1
	50713-438-730	WASHER L PILLOIN STEP	1
16	50715-KCC-900	BAR R PILLION STEP	1
	50715-KCC-900	BAR R PILLION STEP	1
17	50718-KCC-900	BAR L PILLION STEP	1
	50718-KCC-900	BAR L PILLION STEP	1
18	92000-06016-0A	BOLT, HEX., 6 X 16	2
	92000-06016-0A	BOLT, HEX., 6 X 16	2
19	94101-06000	WASHER, PLAIN, 6 MM	2
	94101-06000	WASHER, PLAIN, 6 MM	2
20	94101-08000	WASHER, PLAIN, 8MM	2
	94101-08000	WASHER, PLAIN, 8MM	2
21	94201-16150	PIN, SPLIT, 1.6 X 15	4
	94201-16150	PIN, SPLIT, 1.6 X 15	4
22	95701-10045-07	BOLT FLANGE, 10 X 45	2
	95701-10045-07	BOLT FLANGE, 10 X 45	2
23	95801-08035-00	BOLT FLANGE 8X35	2

F-15 : STEP ASSY.

	95801-08035-00	BOLT FLANGE 8X35	2
24	50712-438-730	WASHER, R PILLON STEP	1
	50712-438-730	WASHER, R PILLON STEP	1

F-15A : PEDAL GEAR CHANGE/KICK STARTER /PEDAL BRAKE



F-15A : PEDAL GEAR CHANGE/KICK STARTER /PEDAL BRAKE

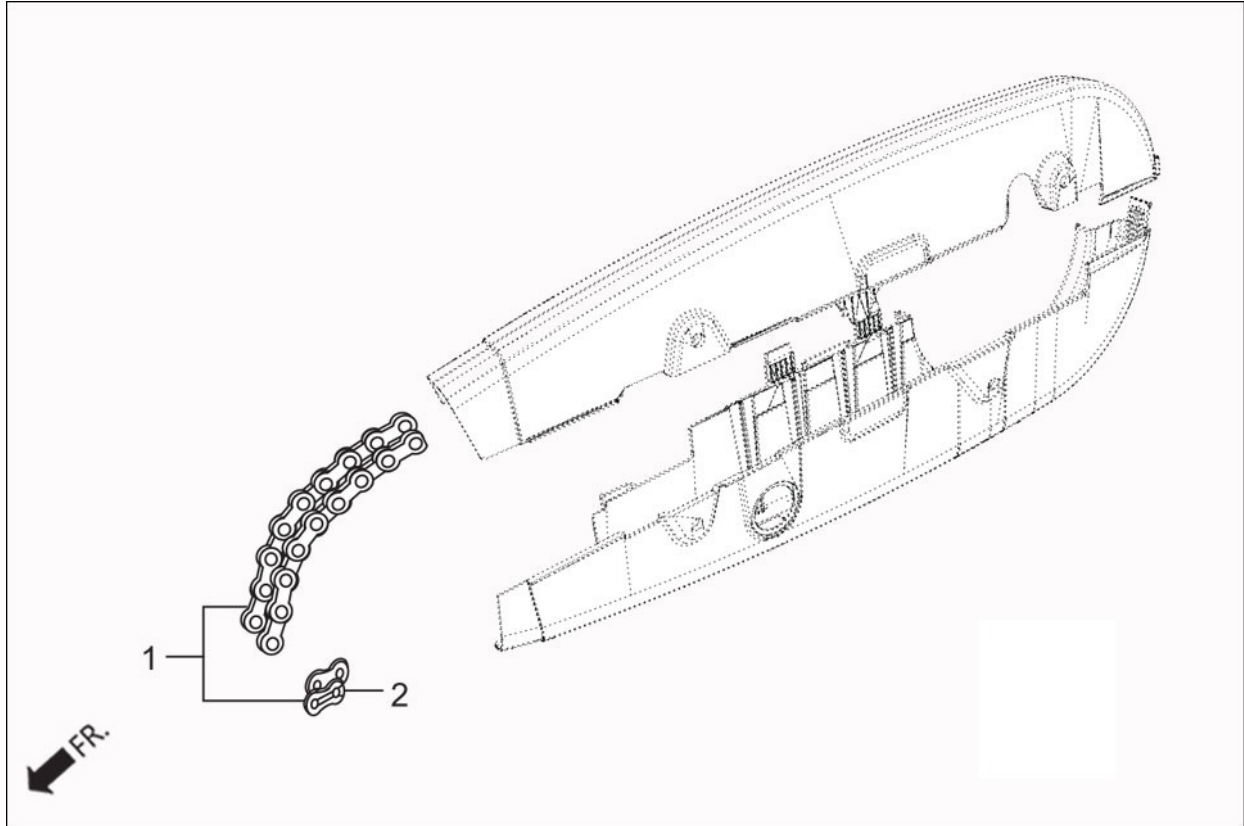
Group Number: F-15A **Model ::** Ignitor 125 (May, 2017)

Ref No.	Part Number	Description	Req.
1	24701-AAN-410	PEDAL GEAR CHANGE	1
	24701-AAN-410	PEDAL GEAR CHANGE	1
2	28293-KAG-900	CLIP, KICK STARTER	1
3	28302-KTR-840	JOINT KICK ARM	1
4	2830A-KTR-840	ARM ASSY. COMP. KICK STATER	1
	2830A-KTR-840	ARM ASSY. COMP. KICK STATER	1
5	28321-KTC-900	PIN, KICK STARTER	1
6	28333-124-000	SPRING, KICK STARTER STOPPER	1
7	35357-AAN-410	SPRING STOP SWITCH	1
	35357-AAN-410	SPRING STOP SWITCH	1
8	43451-AAN-410	ROD COMP. RR. BRK	1
	43451-AAN-410	ROD COMP. RR. BRK	1
9	46500-AAN-410	PEDAL BRAKE	1
	46500-AAN-410	PEDAL BRAKE	1
10	92101-06020-0A	BOLT HEX.6X20	1
11	92101-08032-0A	BOLT HEX., 8 X 32	1
12	94103-05800	WASHER,PLAIN, 5.5MM	1
13	94201-20150	PIN, SPLIT, 2.0 X 15	1
	94201-20150	PIN, SPLIT, 2.0 X 15	1
14	95011-51000	RUBBER, A KICK STARTER	1

F-15A : PEDAL GEAR CHANGE/KICK STARTER /PEDAL BRAKE

15	96211-08000	BALL STEEL 8 MM	1
	96211-08000	BALL STEEL 8 MM	1

F-16 : CHAIN DRIVE

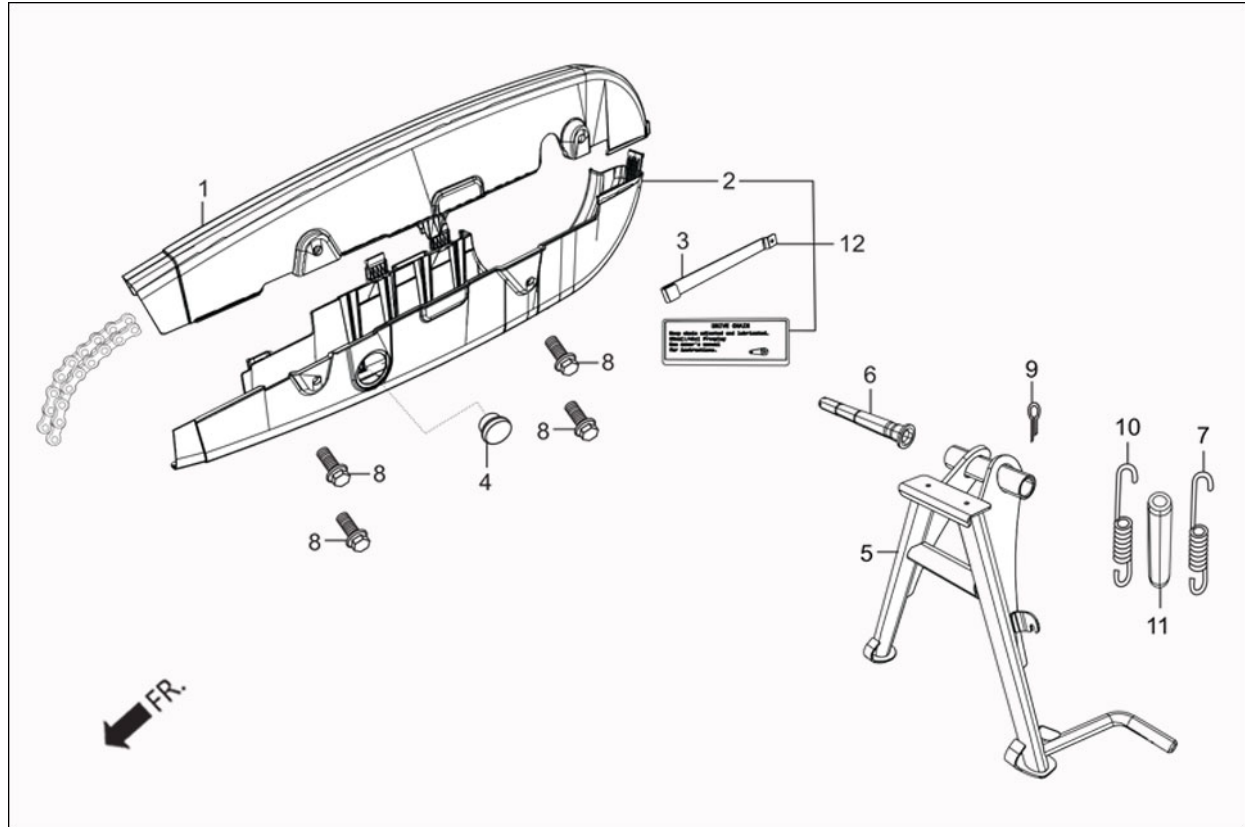


F-16 : CHAIN DRIVE

Group Number: F-16 **Model ::** Ignitor 125 (May, 2017)

Ref No.	Part Number	Description	Req.
1	40530-KCC-900	CHAIN, DRIVE (428-108)	1
	40530-KCC-900	CHAIN, DRIVE (428-108)	1
2	40531-205-010	JOINT RJ, DRIVE CHAIN	1

F-16A : CHAIN CASE AND STAND



F-16A : CHAIN CASE AND STAND

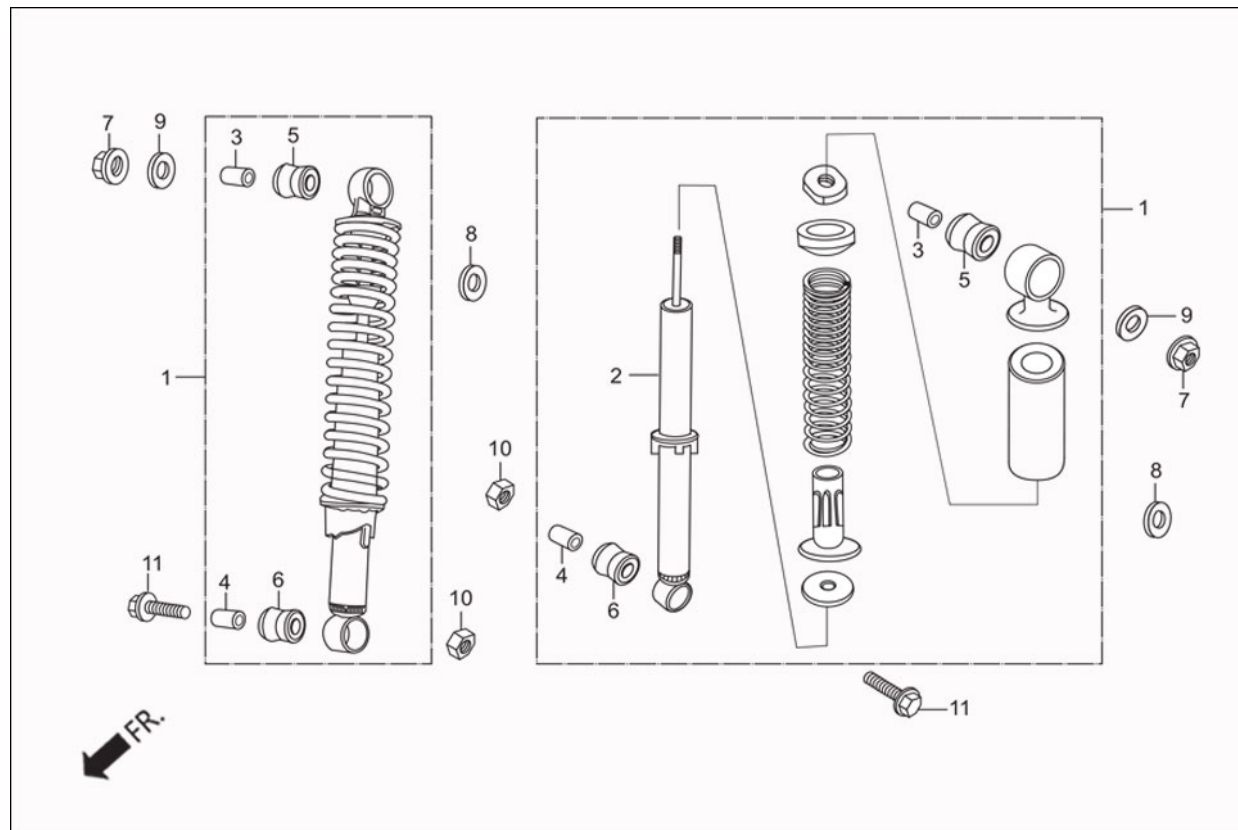
Group Number: F-16A **Model ::** Ignitor 125 (May, 2017)

Ref No.	Part Number	Description	Req.
1	40510-AAN-410	CASE UP HALF DRIVE CHAIN	1
	40510-AAN-410	CASE UP HALF DRIVE CHAIN	1
2	40520-AAN-410	CHAIN CASE LOWER	1
3	40524-ABA-000	PLATE CHAIN CASE LOWER	1
4	40545-ABA-000	CAP, CHAIN PEEP HOLE	1
	40545-ABA-000	CAP, CHAIN PEEP HOLE	1
5	50500-KTR-A00	STAND COMP.MAIN	1
	50500-KTR-A00	STAND COMP.MAIN	1
6	50512-KTC-900	PIPE, RR. BRAKE PIVOT	1
	50512-KTC-900	PIPE, RR. BRAKE PIVOT	1
7	50508-AAB-400	SPRING MAIN STAND 1	1
	50508-AAB-400	SPRING MAIN STAND 1	1
8	90111-ABA-000	BOLT, FLANGE, 6MM	4
9	94201-30250	PIN, SPLIT, 3.0 X 25	1
	94201-30250	PIN, SPLIT, 3.0 X 25	1
10	50509-AAB-400	SPRING MAIN STAND 2	1
	50509-AAB-400	SPRING MAIN STAND 2	1
11	50507-AAB-400	TUBE MAIN STAND SPRING 1	1
	50507-AAB-400	TUBE MAIN STAND SPRING 1	1
12	4052A-AAN-410	CHAIN CASE UND HALF SUB ASSY	1

F-16A : CHAIN CASE AND STAND

4052A-AAN-410	CHAIN CASE UND HALF SUB ASSY	1
---------------	------------------------------	---

F-17 : REAR CUSHION

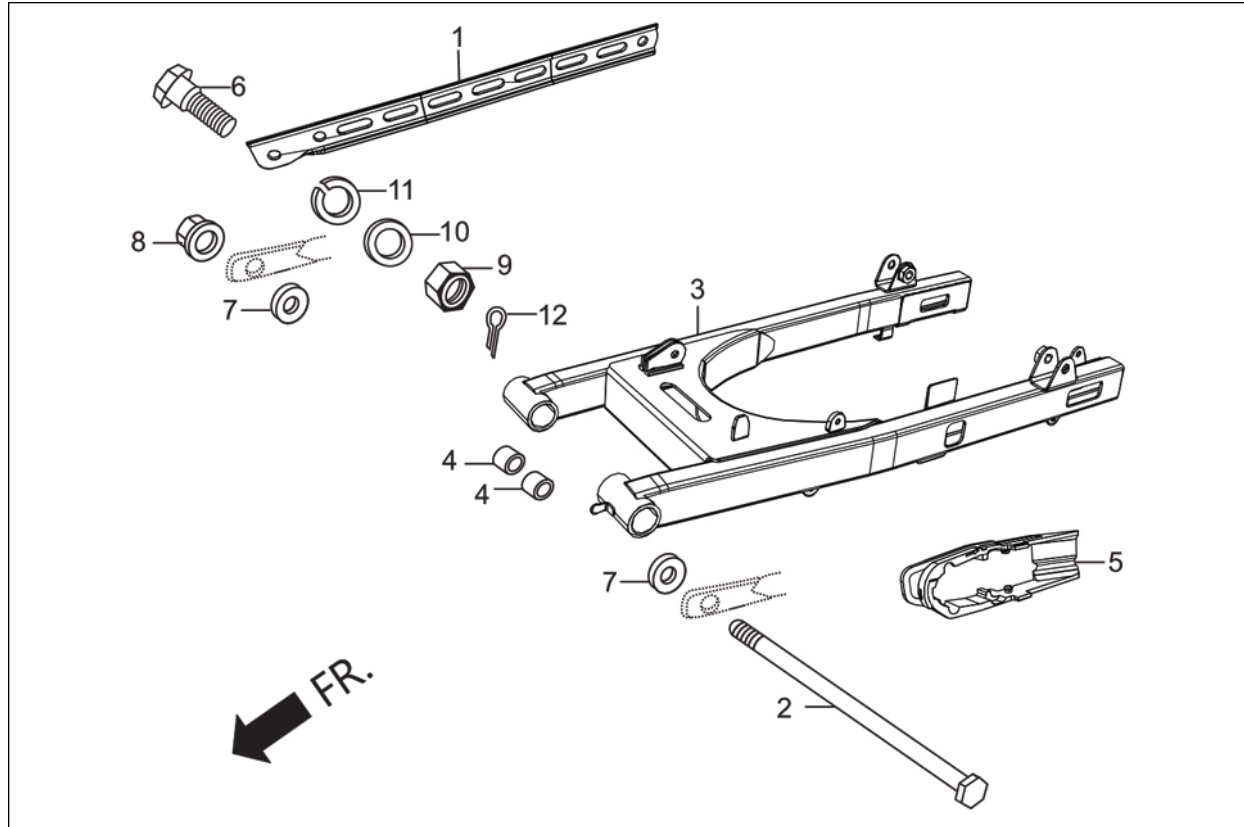


F-17 : REAR CUSHION

Group Number: F-17 Model :: Ignitor 125 (May, 2017)

Ref No.	Part Number	Description	Req.
1	52400-KTR-841	CUSHION ASSY., REAR	2
	52400-KTR-841	CUSHION ASSY., REAR	2
2	52410-KTR-901	DAMPER COMP. , REAR	2
3	52486-056-000	COLLAR, RUBBER BUSH (UPPER)	2
4	52486-KAG-900	COLLAR ,RUBBER BUSH (UNDER)	2
5	52489-399-600	BUSH ,RUBBER (UPPER)	2
6	52495-098-000	BUSH, RUBBER (UNDER)	2
7	94050-10000	NUT, FLANGE, 10MM	2
	94050-10000	NUT, FLANGE, 10MM	2
8	90551-178-000	WASHER,SPL., 10MM	2
	90551-178-000	WASHER,SPL., 10MM	2
9	94101-12000	WASHER, PLAIN, 12MM	2
	94101-12000	WASHER, PLAIN, 12MM	2
10	94002-10000-0S	NUT, HEX, 10MM	2
11	95801-10035-00	BOLT, FLANGE, 10X35	2

F-17A : SWINGARM ASSY.



F-17A : SWINGARM ASSY.

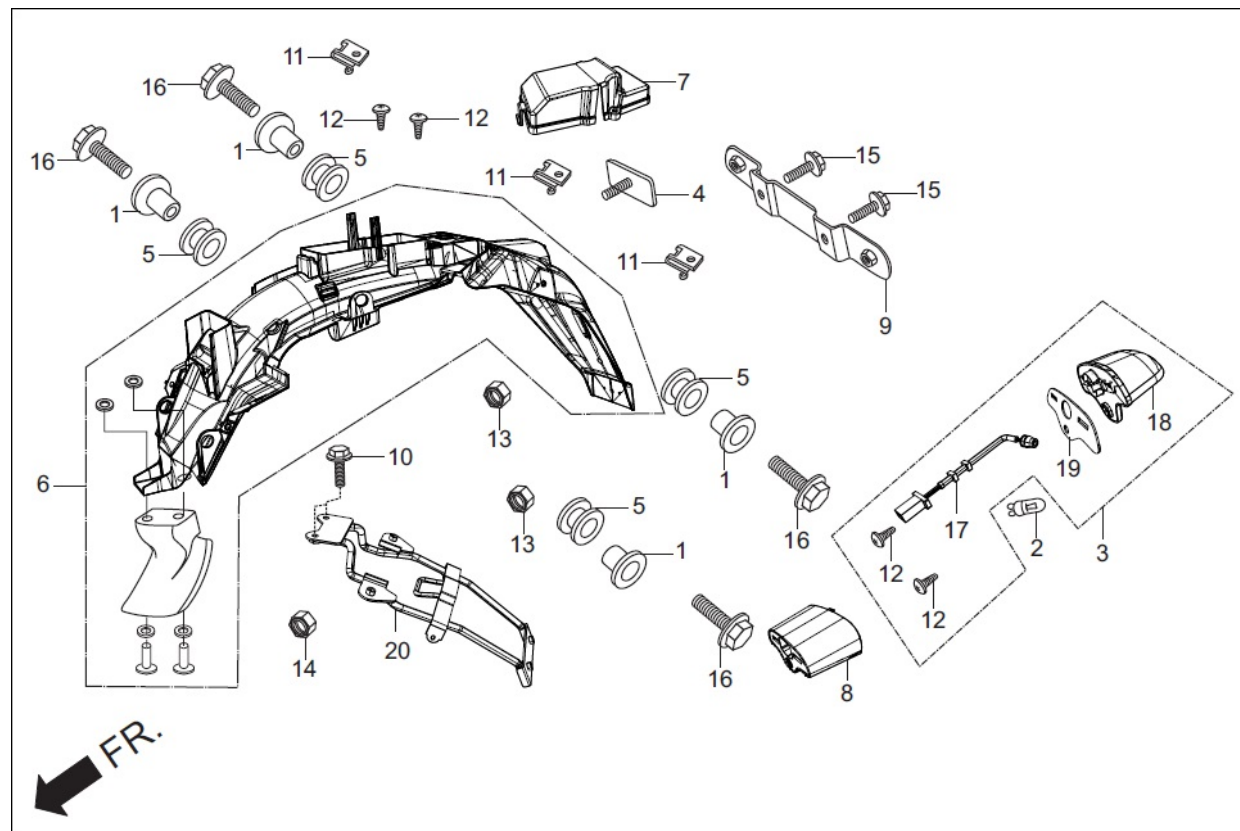
Group Number: F-17A **Model ::** Ignitor 125 (May, 2017)

Ref No.	Part Number	Description	Req.
1	43431-AAN-410	ARM REAR BRAKE STOPPER	1
	43431-AAN-410	ARM REAR BRAKE STOPPER	1
2	52101-AAN-410	BOLT,SWINGARM PIVOT	1
	52101-AAN-410	BOLT,SWINGARM PIVOT	1
3	52110-AAN-410	SWINGARM COMP RR	1
	52110-AAN-410	SWINGARM COMP RR	1
4	52147-KTC-900	RUBBER BUSH, RR. FORK PIVOT	2
	52147-KTC-900	RUBBER BUSH, RR. FORK PIVOT	2
5	52170-KTR-900	SLIDER, CHAIN	1
	52170-KTR-900	SLIDER, CHAIN	1
6	90133-331-770	BOLT, HEX., 8MM	1
	90133-331-770	BOLT, HEX., 8MM	1
7	90183-KTC-900	WASHER, SPL., 12 MM	2
	90183-KTC-900	WASHER, SPL., 12 MM	2
8	90306-KF0-000	NUT, FLANGE, 12 MM	1
	90306-KF0-000	NUT, FLANGE, 12 MM	1
	90306-KST-942	NUT, CASTLE, 12 MM	1
	90306-KST-942	NUT, CASTLE, 12 MM	1
	90306-KTE-911	NUT, CASTLE, 12 MM	1
	90306-KTE-911	NUT, CASTLE, 12 MM	1

F-17A : SWINGARM ASSY.

9	94001-08000-0S	NUT, HEX., 8 MM	1
	94001-08000-0S	NUT, HEX., 8 MM	1
10	94101-08000	WASHER, PLAIN, 8MM	1
	94101-08000	WASHER, PLAIN, 8MM	1
11	94111-10000	WASHER, SPRING, 10MM	1
	94111-10000	WASHER, SPRING, 10MM	1
12	94201-20150	PIN, SPLIT, 2.0 X 15	1
	94201-20150	PIN, SPLIT, 2.0 X 15	1

F-18 : REAR FENDER



F-18 : REAR FENDER

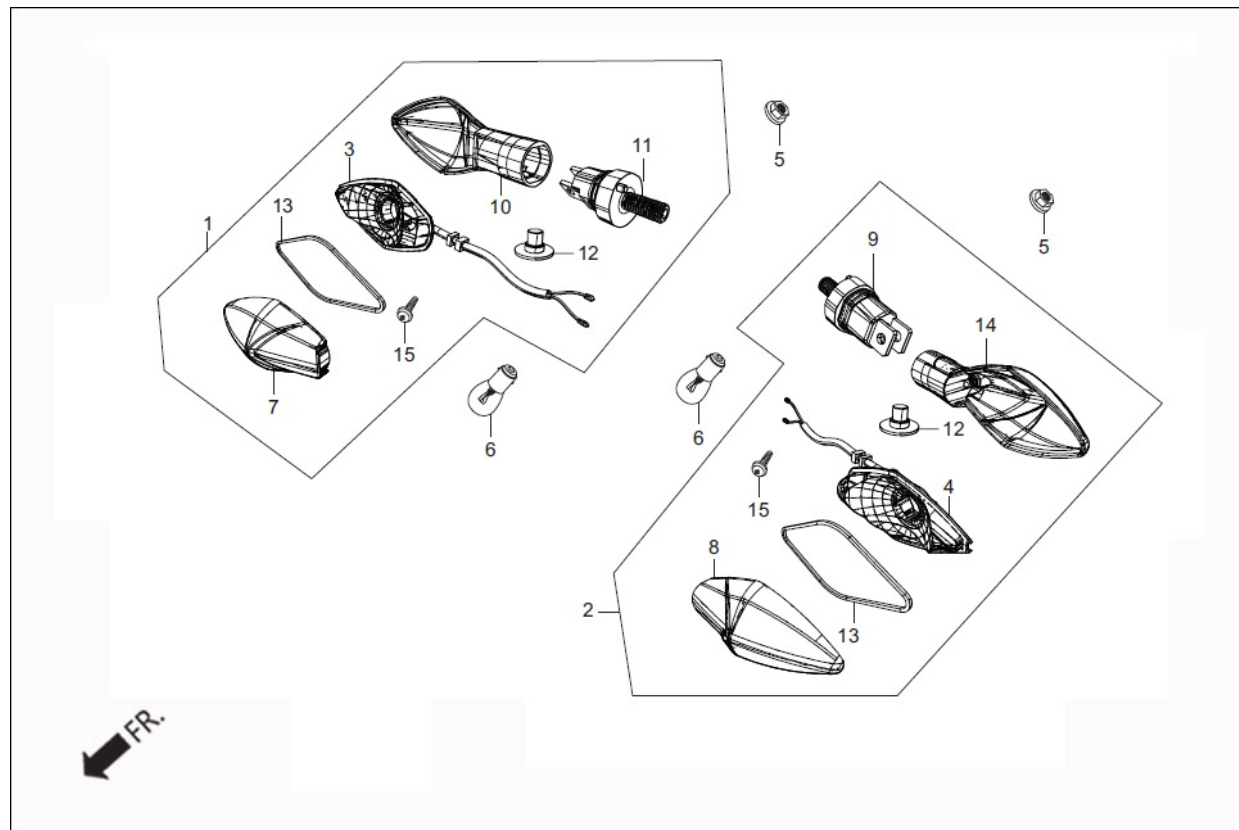
Group Number: F-18 Model :: Ignitor 125 (May, 2017)

Ref No.	Part Number	Description	Req.
1	80111-KVN-900	COLLAR, RR. FENDER	4
	80111-KVN-900	COLLAR, RR. FENDER	4
2	34351-AAB-401	BULB (12VW5W) E MARK	1
	34351-AAB-401	BULB (12VW5W) E MARK	1
3	3372B-AAN-D01	LIGHT ASSY LICENSE (W/O BULB)	1
	3372B-AAN-D01	LIGHT ASSY LICENSE (W/O BULB)	1
4	33741-KST-920	REFLEX REFLECTOR	1
	33741-KST-920	REFLEX REFLECTOR	1
5	77202-KCC-900	RUBBER, SEAT MOUNTING	4
	77202-KCC-900	RUBBER, SEAT MOUNTING	4
6	80100-AAN-410	FENDER COMP. REAR	1
	80100-AAN-410	FENDER COMP. REAR	1
7	80102-AAN-410	COVER TOOLBOX	1
	80102-AAN-410	COVER TOOLBOX	1
8	80201-AAN-410	SPACER LICENSE PLATE LIGHT	1
	80201-AAN-410	SPACER LICENSE PLATE LIGHT	1
9	84701-KCC-860	BRACKET, NUMBER PLATE	1
	84701-KCC-860	BRACKET, NUMBER PLATE	1
10	90111-187-000	BOLT, FLANGE. 6 MM	2
	90111-187-000	BOLT, FLANGE. 6 MM	2

F-18 : REAR FENDER

11	90320-GC3-000	NUT, SPRING, M5	3
12	93903-35380	SCREW TAPPING 5X16	4
13	94001-06000-0S	NUT, HEX., 6 MM	2
	94001-06000-0S	NUT, HEX., 6 MM	2
14	94002-06000-0S	NUT, HEX 6MM	1
15	95701-06012-00	BOLT, FLANGE, 6X12	2
	95701-06012-00	BOLT, FLANGE, 6X12	2
16	95701-06020-00	BOLT, FLANGE, 6X20	4
	95701-06020-00	BOLT, FLANGE, 6X20	4
17	33725-AAN-D01	SOCKET COMP.	1
18	33726-AAN-D01	COVER COMP.	1
19	33729-AAN-401	PACKING	1
20	50186-AAN-410	STAY COMP. RR. WINKER	1
	50186-AAN-410	STAY COMP. RR. WINKER	1

F-19 : FR WINKER

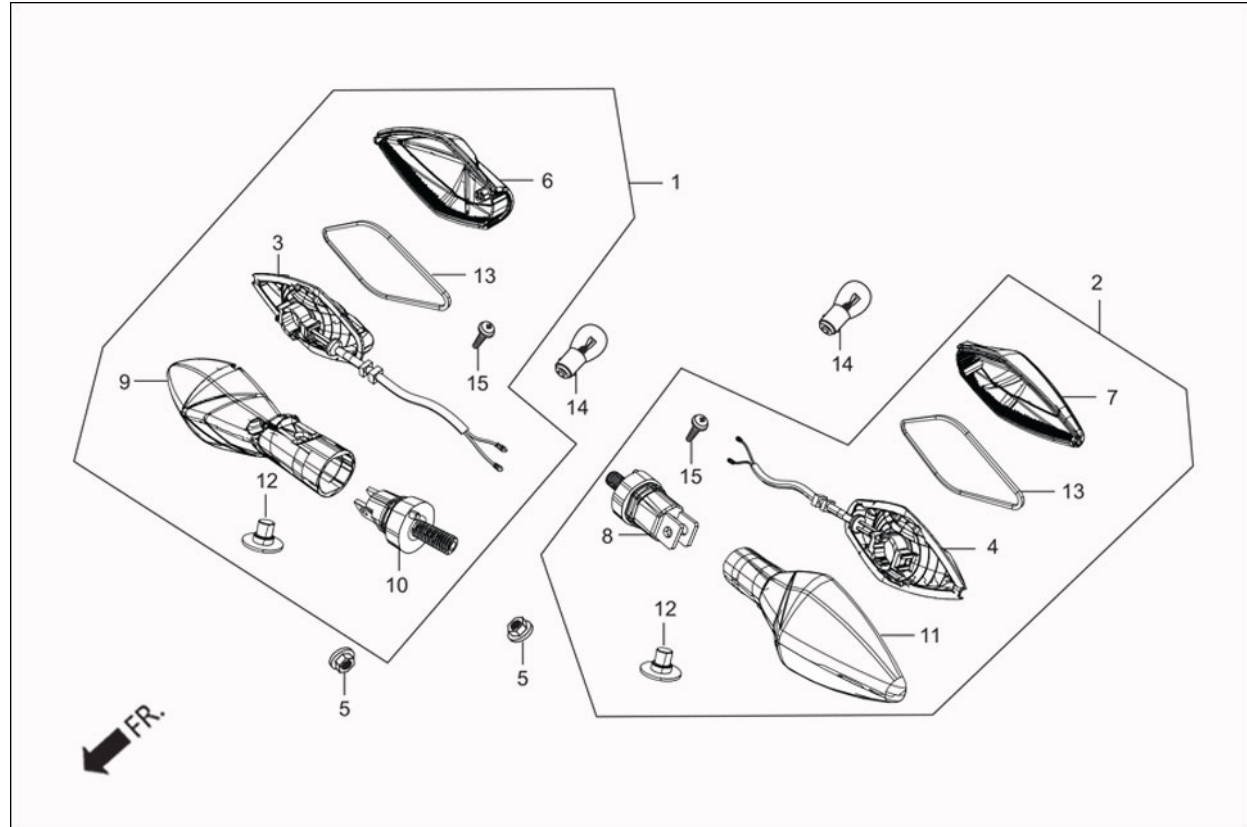


F-19 : FR WINKER

Group Number: F-19 Model :: Ignitor 125 (May, 2017)

Ref No.	Part Number	Description	Req.
1	3340B-AAN-G01	WINKER ASSY., R. FRONT	1
	3340B-AAN-G01	WINKER ASSY., R. FRONT	1
2	3345B-AAN-G01	WINKER ASSY., L. FRONT	1
	3345B-AAN-G01	WINKER ASSY., L. FRONT	1
3	33405-AAN-40099	REFLECTOR COMP R	1
4	33455-AAN-40099	REFLECTOR COMP L	1
5	94050-08000	NUT, FLANGE, 8MM	2
	94050-08000	NUT, FLANGE, 8MM	2
6	34908-AAB-401	BULB (12V10W) AMBER E MARK	2
	34908-AAB-401	BULB (12V10W) AMBER E MARK	2
7	33402-AAS-001	LENS, RIGHT	1
8	33452-AAS-001	LENS, LEFT	1
9	33946-AAR-001	STAY CP L	1
10	33401-AAR-001	HOUSING R	1
11	33941-AAR-001	STAY CP R	1
12	90380-AAR-001	SCREW SPECIAL	2
13	33408-AAR-001	PACKING	2
14	33451-AAR-001	HOUSING L	1
15	93901-AAR-001	ST. SCREW 3X10	2

F-20 : RR WINKER

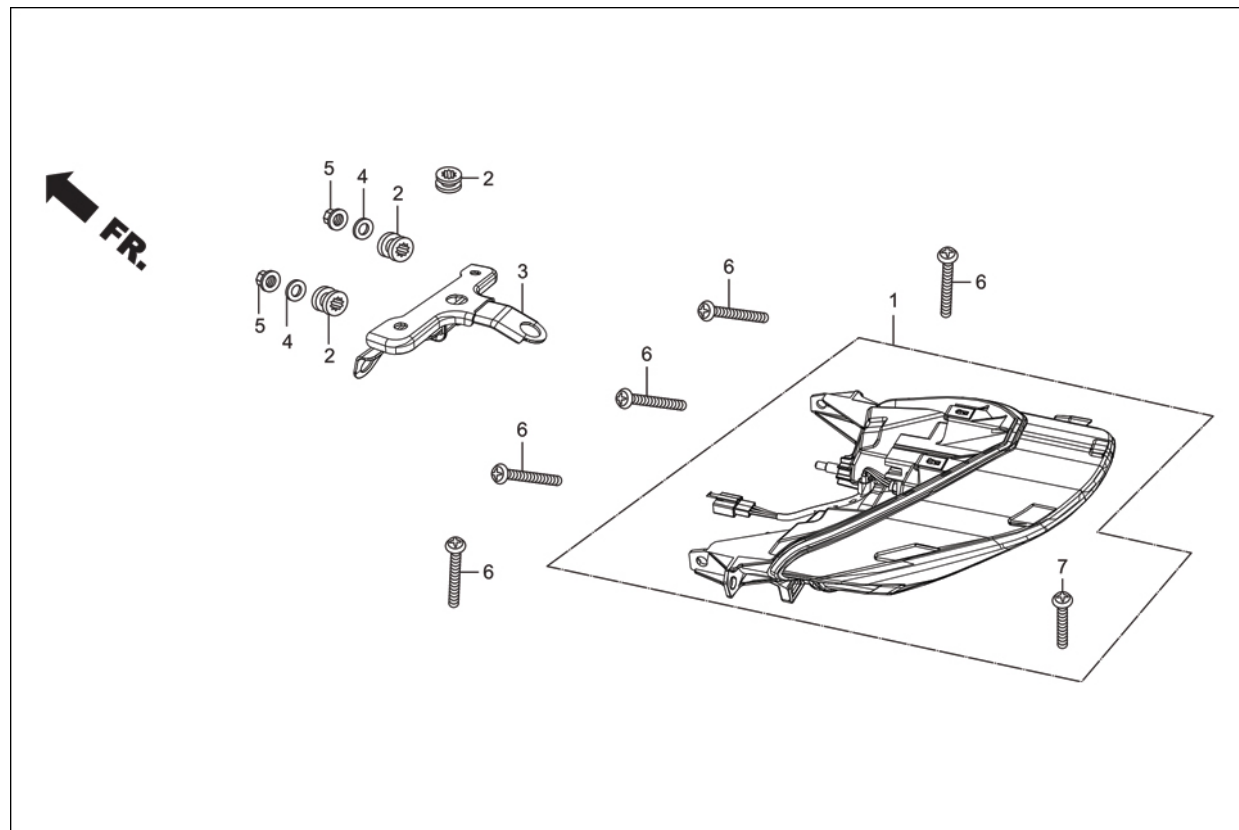


F-20 : RR WINKER

Group Number: F-20 Model :: Ignitor 125 (May, 2017)

Ref No.	Part Number	Description	Req.
1	3360B-AAN-G01	WINKER ASSY., R. REAR	1
	3360B-AAN-G01	WINKER ASSY., R. REAR	1
2	3365B-AAN-G01	WINKER ASSY., L. REAR	1
	3365B-AAN-G01	WINKER ASSY., L. REAR	1
3	33605-AAN-40099	REFLECTOR COMP R WINKER ASSY.	1
4	33655-AAN-40099	REFLECTOR COMP L WINKER ASSY.	1
5	94050-08000	NUT, FLANGE, 8MM	2
	94050-08000	NUT, FLANGE, 8MM	2
6	33402-AAS-001	LENS, RIGHT	1
7	33452-AAS-001	LENS, LEFT	1
8	33946-AAR-001	STAY CP L	1
9	33401-AAR-001	HOUSING R	1
10	33941-AAR-001	STAY CP R	1
11	33451-AAR-001	HOUSING L	1
12	90380-AAR-001	SCREW SPECIAL	2
13	33408-AAR-001	PACKING	2
14	34908-AAB-401	BULB (12V10W) AMBER E MARK	2
	34908-AAB-401	BULB (12V10W) AMBER E MARK	2
15	93901-AAR-001	ST. SCREW 3X10	2

F-21 : TAIL LIGHT

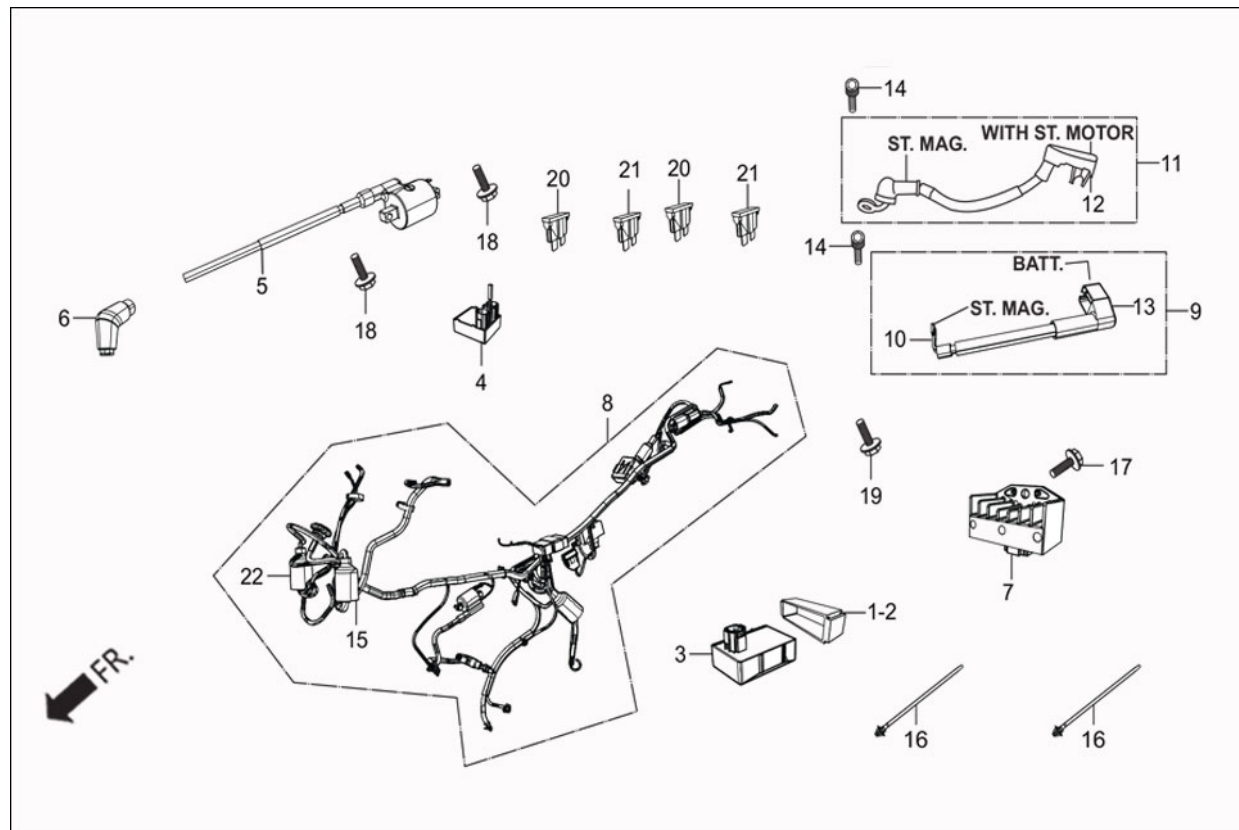


F-21 : TAIL LIGHT

Group Number: F-21 Model :: Ignitor 125 (May, 2017)

Ref No.	Part Number	Description	Req.
1	33700-AAN-40099	TAIL LIGHT ASSY	1
	33700-AAN-40099	TAIL LIGHT ASSY	1
2	77209-KAG-900	RUBBER, SEAT STAY MOUNT	3
	77209-KAG-900	RUBBER, SEAT STAY MOUNT	3
3	77235-AAN-410	BRKT TAIL LIGHT TOP ASSY	1
	77235-AAN-410	BRKT TAIL LIGHT TOP ASSY	1
4	90563-355-000	WASHER, WHEEL, 6 MM	2
5	94050-06000	NUT, FLANGE, 6 MM	2
	94050-06000	NUT, FLANGE, 6 MM	2
6	93903-35380	SCREW TAPPING 5X16	5
7	93913-AAW-001	SCREW 3X12	1

F-22 : WIRE HARNESS



F-22 : WIRE HARNESS

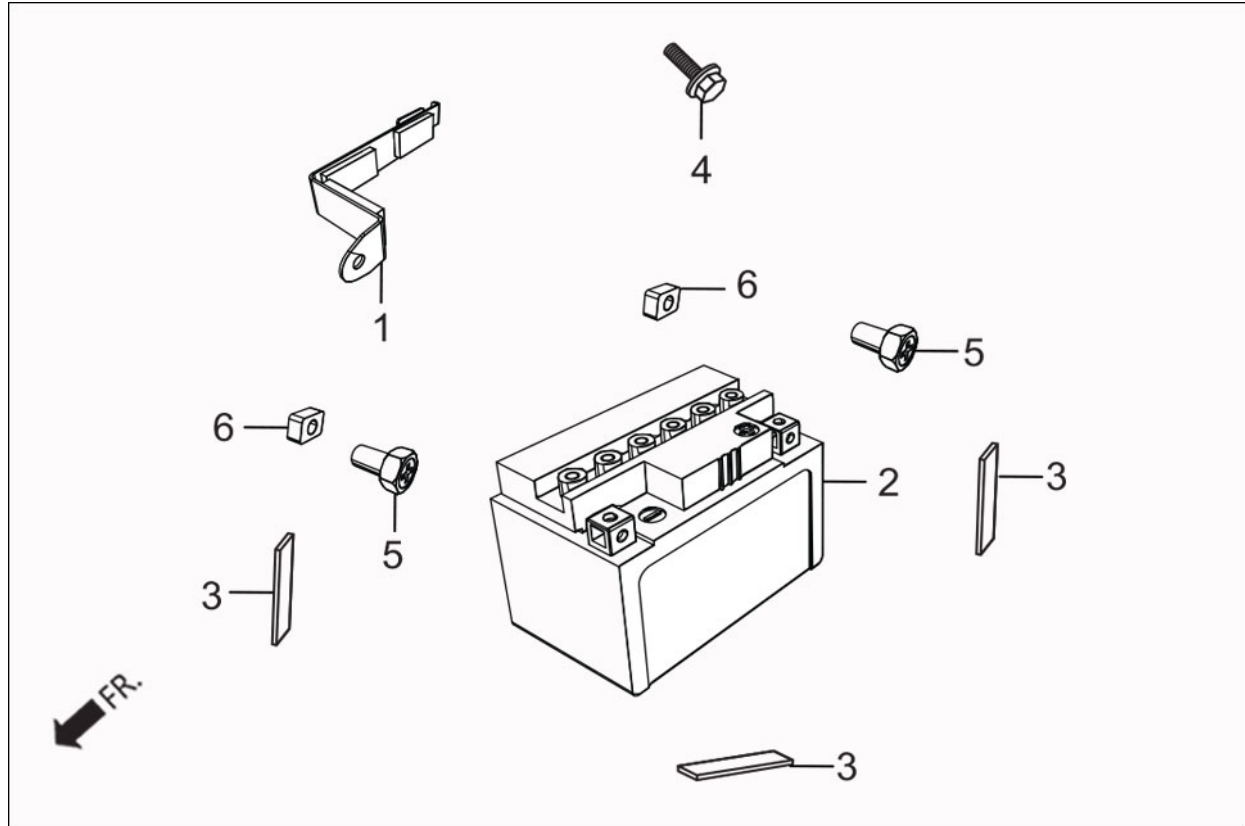
Group Number: F-22 Model :: Ignitor 125 (May, 2017)

Ref No.	Part Number	Description	Req.
1	30401-KTE-910	CUSHION, C.D.I. UNIT	1
	30401-KTE-910	CUSHION, C.D.I. UNIT	1
2	30401-AAL-00099	CUSHION CDI UNIT	1
3	30410-AAN-411	UNIT COMP CDI	1
	30410-AAN-411	UNIT COMP CDI	1
4	30460-AAM-000	CONTROLLER UNIT COMP I3S	1
	30460-AAM-000	CONTROLLER UNIT COMP I3S	1
5	30500-AAN-H01	COIL ASSY IGN	1
	30500-AAN-H01	COIL ASSY IGN	1
6	30700-KWA-831	CAP ASSY,NOISE SUPPRESSOR	1
	30700-KWA-831	CAP ASSY,NOISE SUPPRESSOR	1
7	31600-AAN-411	REG RECT COMP	1
	31600-AAN-411	REG RECT COMP	1
8	32100-AAN-410	HARNESS WIRE	1
	32100-AAN-410	HARNESS WIRE	1
9	32401-AAN-500	CABLE ST MAG BATT	1
	32401-AAN-500	CABLE ST MAG BATT	1
10	32406-MAK-000	COVER, ST.MAG.TERMINAL	1
11	32410-AAN-410	CABLE START MOTOR	1
	32410-AAN-410	CABLE START MOTOR	1

F-22 : WIRE HARNESS

12	32411-253-000	COVER, STARTING MOTOR	1
	32411-253-000	COVER, STARTING MOTOR	1
13	32417-KTR-A10	COVER, BAT. TERMINAL	1
14	90111-MR5-000	BOLT, SOCKET, 5X9	2
15	32108-GW6-700	COVER ,CONNECTOR	2
16	91540-AAN-410	CLIP, BAND HARN	2
17	95701-06016-00	BOLT, FLANGE, 6X16	1
	95701-06016-00	BOLT, FLANGE, 6X16	1
18	95701-06020-00	BOLT, FLANGE, 6X20	2
	95701-06020-00	BOLT, FLANGE, 6X20	2
19	96001-06010-00	BOLT FLANGE SH. 6×10	1
20	98200-31000	BLADE, FUSE 10A	2
	98200-31000	BLADE, FUSE 10A	2
21	98200-31500	BLADE, FUSE, 15A	2
	98200-31500	BLADE, FUSE, 15A	2

F-22A : BATTERY ASSY.

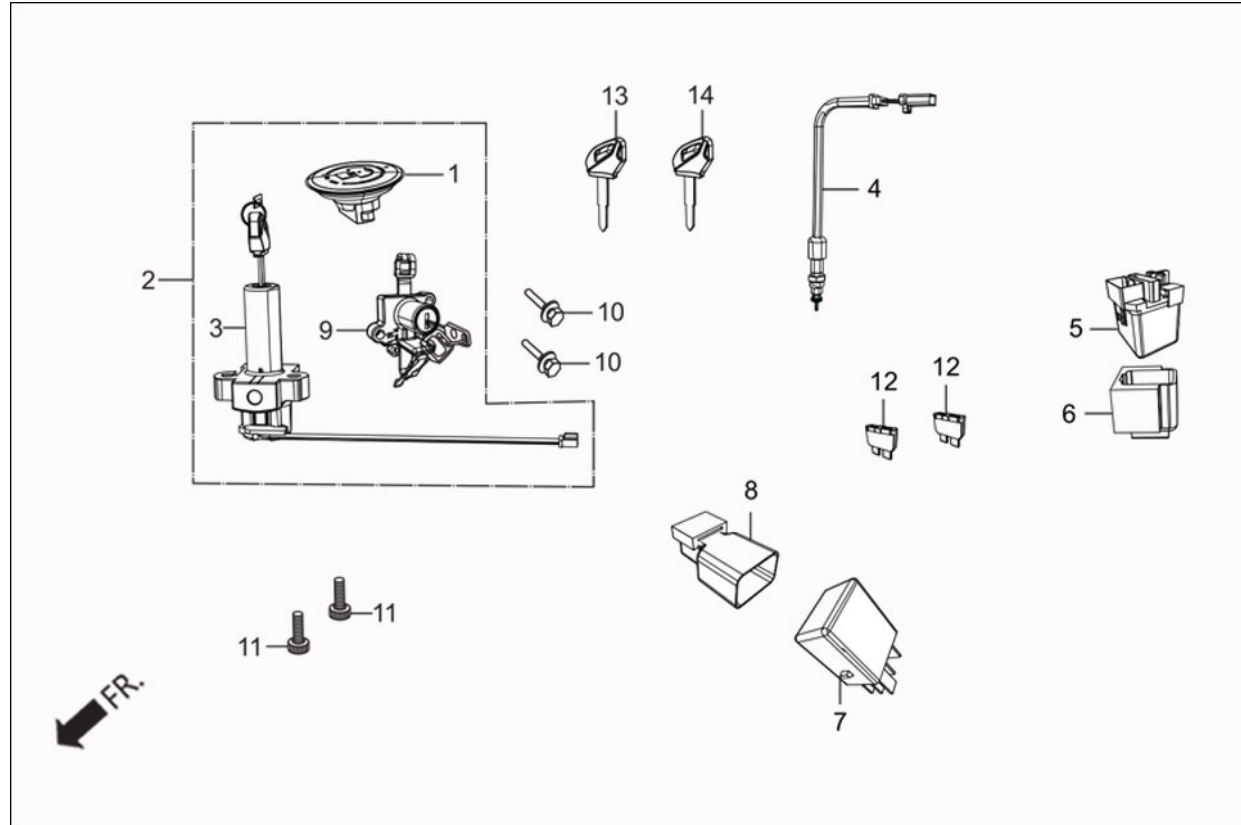


F-22A : BATTERY ASSY.

Group Number: F-22A **Model ::** Ignitor 125 (May, 2017)

Ref No.	Part Number	Description	Req.
1	17214-KWA-840	BAND, BATTERY	1
	17214-KWA-840	BAND, BATTERY	1
2	31500-KVT-801	BATTERY, ASSY.	1
	31500-KVT-801	BATTERY, ASSY.	1
3	83407-KTR-940	RUBBER, BATTERY	3
	83407-KTR-940	RUBBER, BATTERY	3
4	90101-ABA-000	BOLT FLANGE 6X18	1
5	90122-KVT-941	BOLT BATTERY TERMINAL	2
6	90306-KVT-941	NUT BATTERY TERMINAL	2

F-22B : SWITCH ASSY ./RELAY / LOCK ASSY./ KEY BLANK



F-22B : SWITCH ASSY ./RELAY / LOCK ASSY./ KEY BLANK

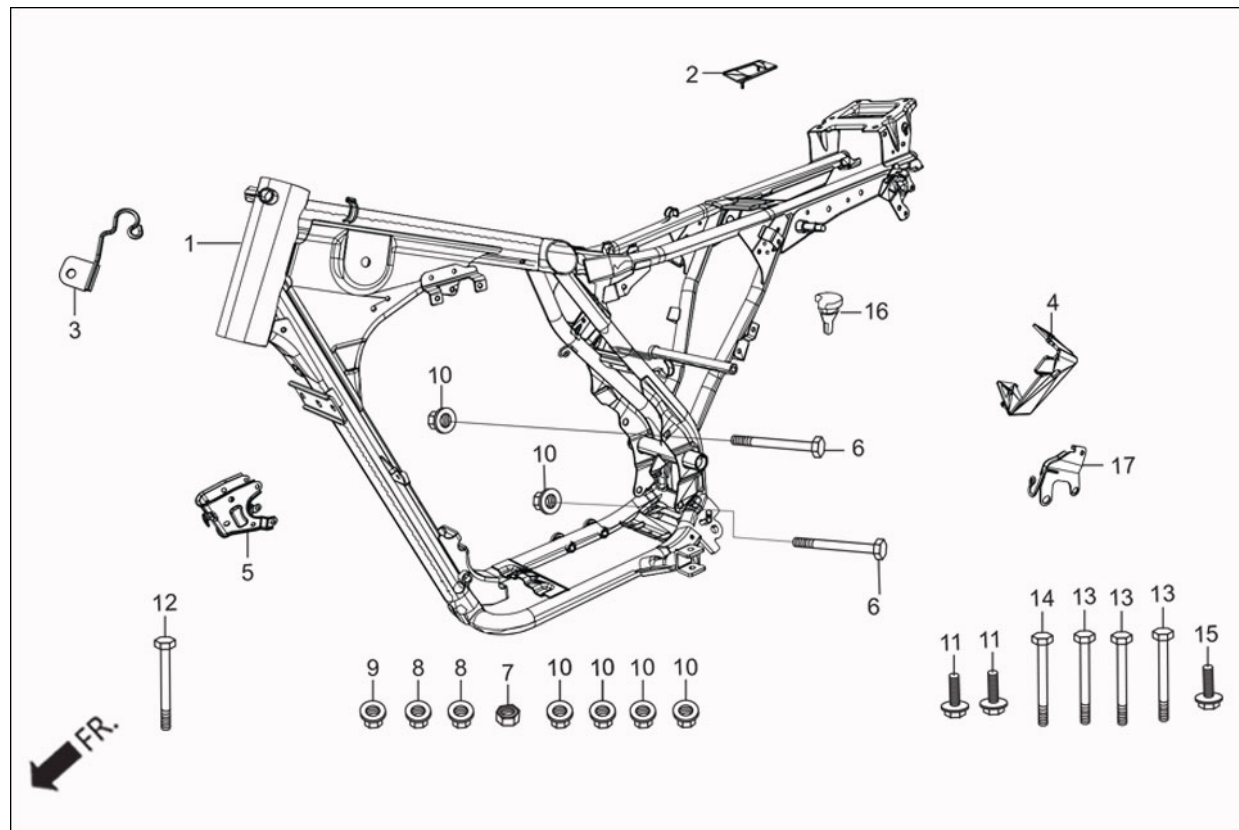
Group Number: F-22B Model :: Ignitor 125 (May, 2017)

Ref No.	Part Number	Description	Req.
1	17620-AAT-000	CAP COMP, FUEL FILLER	1
2	35010-AAN-411	KEY SET	1
	35010-AAN-411	KEY SET	1
3	35100-AAN-601	SW ASSY COMB & LOCK	1
4	35350-KTR-A00	SWITCH ASSY, REAR STOP	1
	35350-KTR-A00	SWITCH ASSY, REAR STOP	1
5	35850-KR3-870	SWITCH ASSY., START MAG.	1
	35850-KR3-870	SWITCH ASSY., START MAG.	1
6	35856-KBG-007	RUBBER,SHOCK	1
	35856-KBG-007	RUBBER,SHOCK	1
7	38502-KSP-910	RELAY COMP., POWER (MICRO ISO 5P)	1
	38502-KSP-910	RELAY COMP., POWER (MICRO ISO 5P)	1
8	38506-KSP-910	SUS., POWER RELAY	1
	38506-KSP-910	SUS., POWER RELAY	1
9	77110-AAC-H00	LOCK ASSY SEAT	1
10	90107-GZ4-670	BOLT, BREAK OFF	2
11	96600-08025-00	SOCKET, BOLT, 8 X 25	2
12	98200-32000	BLADE, FUSE, 20A	1
	98200-32000	BLADE, FUSE, 20A	1
13	35121-AAN-411	KEY BLANK NO. 1	1

F-22B : SWITCH ASSY ./RELAY / LOCK ASSY./ KEY BLANK

	35121-AAN-411	KEY BLANK NO. 1	1
14	35122-AAN-411	KEY BLANK NO. 02	1
	35122-AAN-411	KEY BLANK NO. 02	1

F-23 : FRAME BODY



F-23 : FRAME BODY

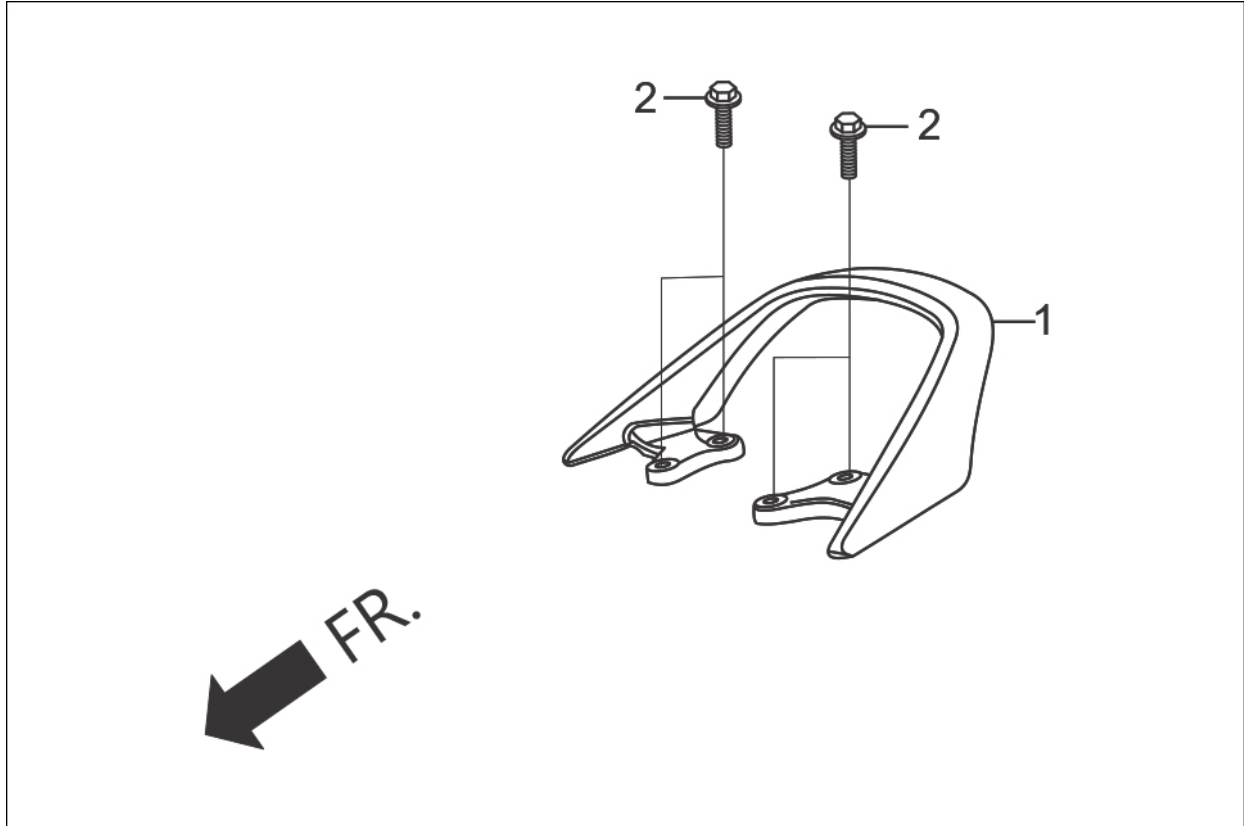
Group Number: F-23 Model :: Ignitor 125 (May, 2017)

Ref No.	Part Number	Description	Req.
1	50100-AAN-410	FRAME BODY COMP	1
	50100-AAN-410	FRAME BODY COMP	1
2	50225-KTR-900	RUBBER SEAT CUSHION	1
	50225-KTR-900	RUBBER SEAT CUSHION	1
3	50250-AAN-410	CABLE RETAINER	1
	50250-AAN-410	CABLE RETAINER	1
4	50251-AAN-410	BRACKET (I3S)	1
	50251-AAN-410	BRACKET (I3S)	1
5	5035A-AAN-410	FRONT ENG HANGER COMP	1
	5035A-AAN-410	FRONT ENG HANGER COMP	1
6	90019-399-010	BOLT, FLANGE, 10 X 110	2
	90019-399-010	BOLT, FLANGE, 10 X 110	2
7	94030-08000	NUT, HEX., 8 MM	1
	94030-08000	NUT, HEX., 8 MM	1
8	94050-06000	NUT, FLANGE, 6 MM	2
	94050-06000	NUT, FLANGE, 6 MM	2
9	94050-08000	NUT, FLANGE, 8MM	1
	94050-08000	NUT, FLANGE, 8MM	1
10	94050-10000	NUT, FLANGE, 10MM	6
	94050-10000	NUT, FLANGE, 10MM	6

F-23 : FRAME BODY

11	95701-06012-00	BOLT, FLANGE, 6X12	2
	95701-06012-00	BOLT, FLANGE, 6X12	2
12	95801-08075-00	BOLT FLANGE, 8X75	1
	95801-08075-00	BOLT FLANGE, 8X75	1
13	95801-10075-08	BOLT FLANGE 10X75	3
14	95801-10095-00	BOLT FLANGE 10X95	1
	95801-10095-00	BOLT FLANGE 10X95	1
15	96001-06010-00	BOLT FLANGE SH. 6×10	1
16	50137-AAR-000	PLUG CABLE RETENTION	1
	50137-AAR-000	PLUG CABLE RETENTION	1
17	50350-AAN-410	STAY VALVE ASSY AIR SUCTION COMP	1
	50350-AAN-410	STAY VALVE ASSY AIR SUCTION COMP	1

F-23A : GRIP REAR

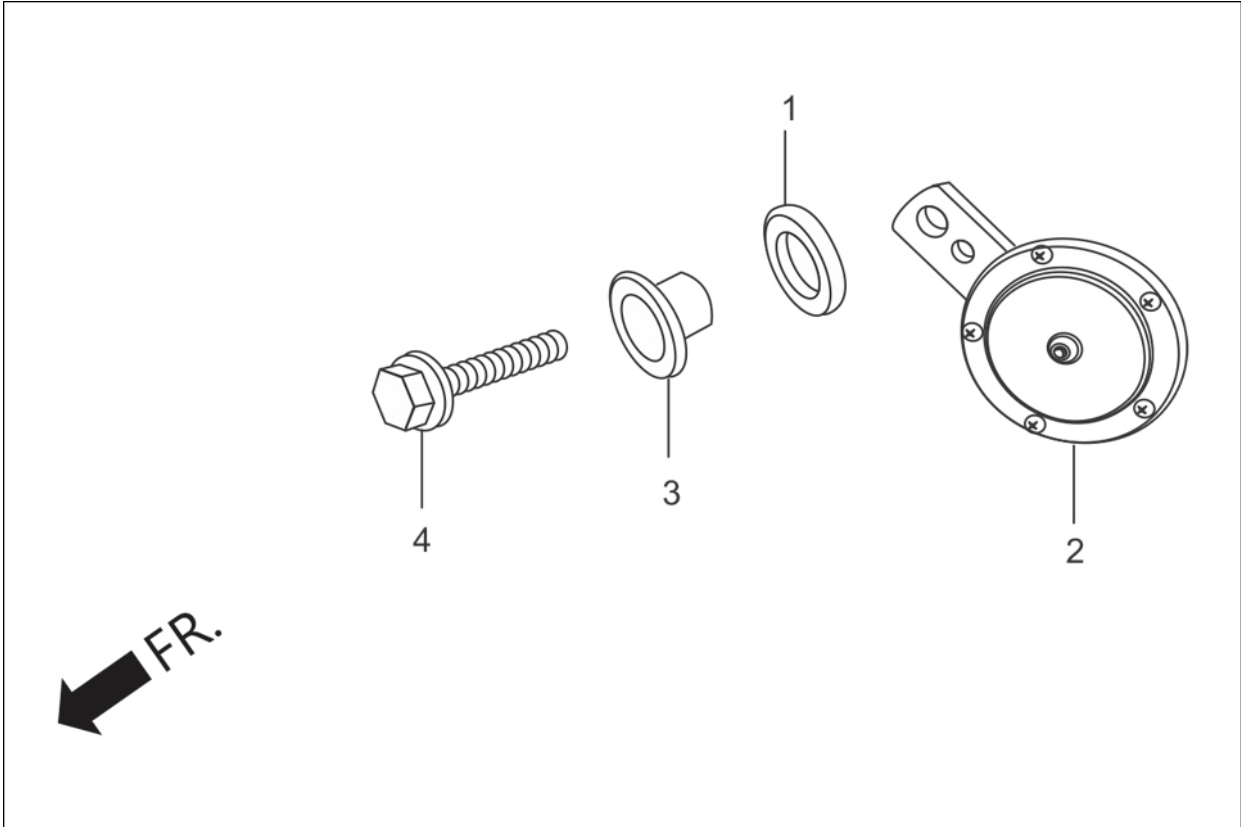


F-23A : GRIP REAR

Group Number: F-23A **Model ::** Ignitor 125 (May, 2017)

Ref No.	Part Number	Description	Req.
1	50400-AAN-410W	GRIP REAR	1
	50400-AAN-410W	GRIP REAR	1
	50400-AAN-410X	GRIP REAR	1
	50400-AAN-410Y	GRIP REAR	1
	50400-AAN-410R	GRIP REAR	1
2	95701-08022-08	BOLT, FLANGE, 8 X 22	4
	95701-08022-08	BOLT, FLANGE, 8 X 22	4

F-23B : HORN



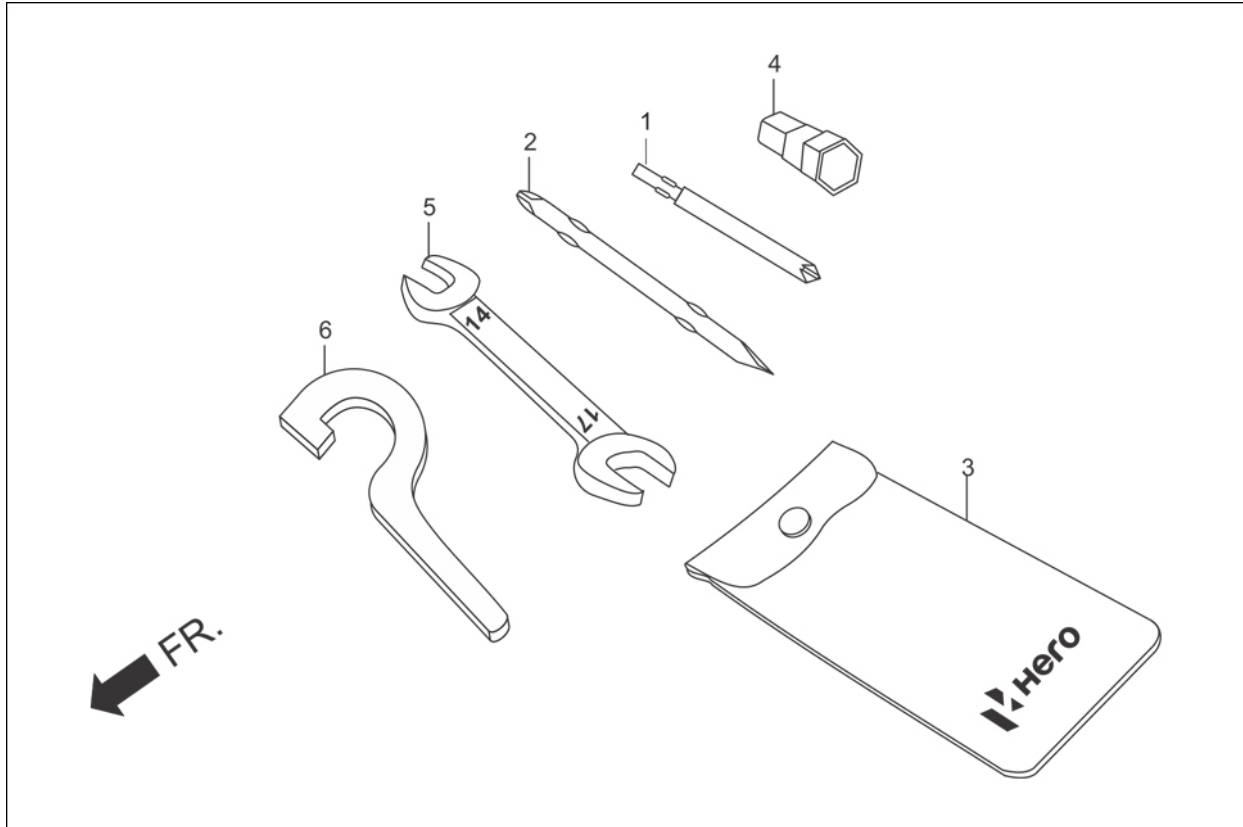
FR. ←

F-23B : HORN

Group Number: F-23B **Model ::** Ignitor 125 (May, 2017)

Ref No.	Part Number	Description	Req.
1	33714-KL3-620	RUBBER, TAIL LIGHT	2
2	38110-AAN-601	HORN COMP	1
3	38117-KFE-701	COLLAR, HORN SET	1
4	95701-06020-00	BOLT, FLANGE, 6X20	1
1	33714-KL3-620	RUBBER, TAIL LIGHT	2
3	38117-KFE-701	COLLAR, HORN SET	1
4	95701-06020-00	BOLT, FLANGE, 6X20	1

F-24 : TOOLS

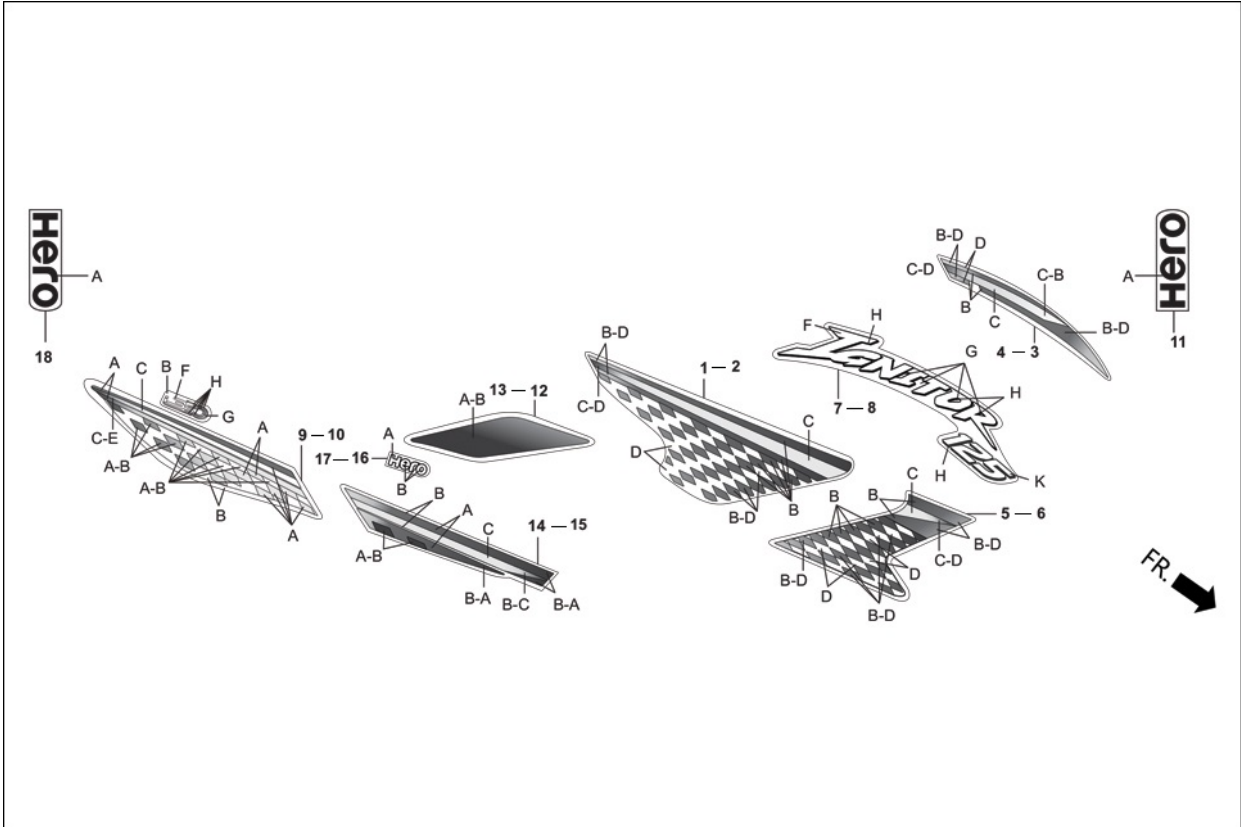


F-24 : TOOLS

Group Number: F-24 **Model ::** Ignitor 125 (May, 2017)

Ref No.	Part Number	Description	Req.
1	89102-AAC-000	NO.3 CROSS POINT SCREW DRIVER	1
2	89102-KTC-900	DRIVER NO. 2, PLUS-MINUS	1
3	89216-AAD-H00	TOOL BAG	1
4	89216-KTC-900	WRENCH, SPARKING PLUG	1
5	99001-14170	SPANNER, 14 X 17	1
6	99007-45000	PIN, SPANNER	1

F-25 : STRIPES/MARKS



F-25 : STRIPES/MARKS

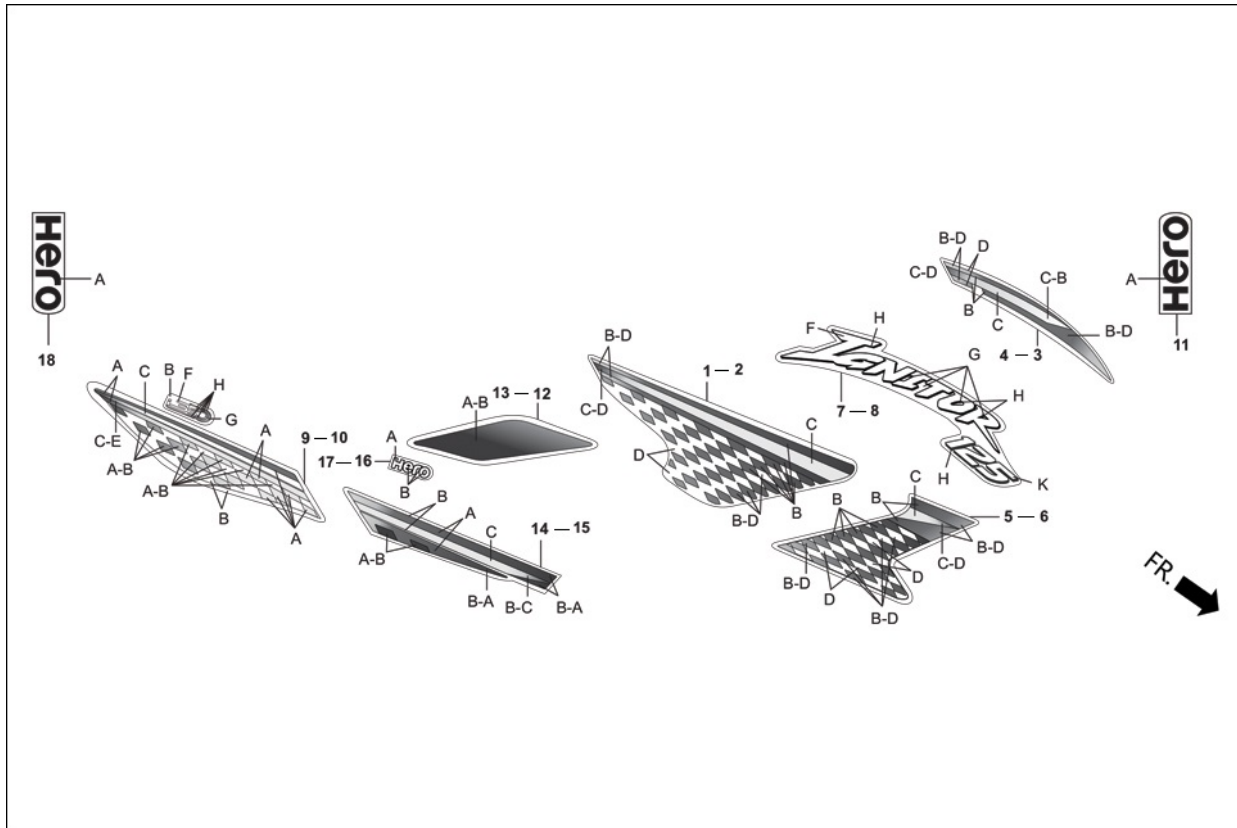
Group Number: F-25 Model :: Ignitor 125 (May, 2017)

Ref No.	Part Number	Description	Req.
1	86173-AAN-400R	STRIPE R FUEL TANK(BLACK NH-1(T1))	1
	86173-AAN-400S	STRIPE R FUEL TANK(BLACK NH-1(T2))	1
	86173-AAN-400T	STRIPE R FUEL TANK(BLACK NH-1(T3))	1
	86173-AAN-400U	STRIPE R FUEL TANK(CBR R-195C)	1

SPECIFIED COLOUR CHART FOR STRIPS, R. FUEL TANK

SPECIFIED TYPE \ COLOUR	B	C	D	MAIN BODY COLOUR
1	SPORTS RED (R-321)	WHITE - 2	NH-1 BLACK	BLACK NH-1 (TYPE-1)
2	TORNADO GREY	SPORTS RED	NH-1 BLACK	BLACK NH-1 (TYPE-2)
3	TECHNO BLUE	WHITE - 2	NH-1 BLACK	BLACK NH-1 (TYPE-3)
4	NH-1 BLACK	WHITE - 2	TRANSPARENT	CANDY BLAZING RED (R-195C)

F-25 : STRIPES/MARKS



F-25 : STRIPES/MARKS

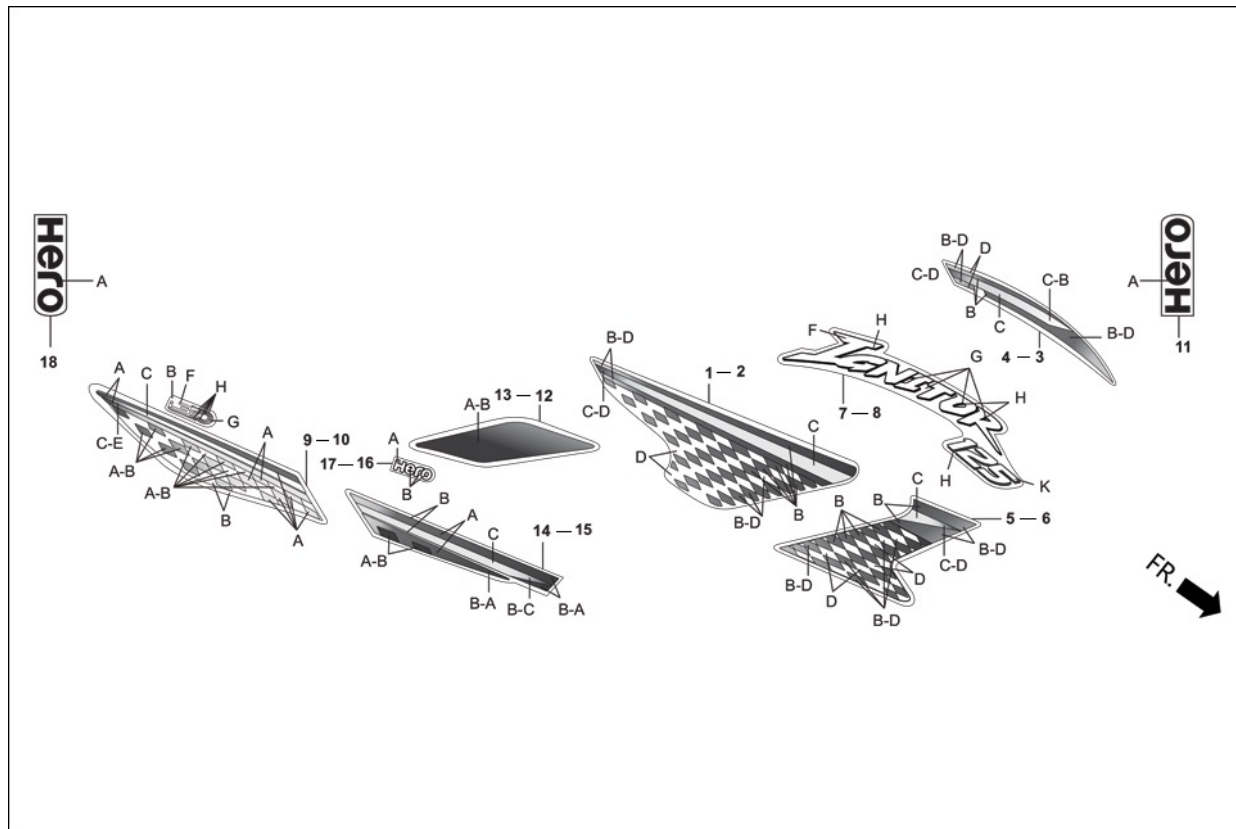
Group Number: F-25 Model :: Ignitor 125 (May, 2017)

Ref No.	Part Number	Description	Req.
2	86174-AAN-400R	STRIPE L FUEL TANK(BLACK NH-1(T1))	1
	86174-AAN-400S	STRIPE L FUEL TANK(BLACK NH-1(T2))	1
	86174-AAN-400T	STRIPE L FUEL TANK(BLACK NH-1(T3))	1
	86174-AAN-400U	STRIPE L FUEL TANK(CBR R-195C)	1

SPECIFIED COLOUR CHART FOR STRIPS, L. FUEL TANK

SPECIFIED TYPE \ COLOUR	B	C	D	MAIN BODY COLOUR
1	SPORTS RED (R-321)	WHITE - 2	NH-1 BLACK	BLACK NH-1 (TYPE-1)
2	TORNADO GREY	SPORTS RED	NH-1 BLACK	BLACK NH-1 (TYPE-2)
3	TECHNO BLUE	WHITE - 2	NH-1 BLACK	BLACK NH-1 (TYPE-3)
4	NH-1 BLACK	WHITE - 2	TRANSPARENT	CANDY BLAZING RED (R-195C)

F-25 : STRIPES/MARKS



F-25 : STRIPES/MARKS

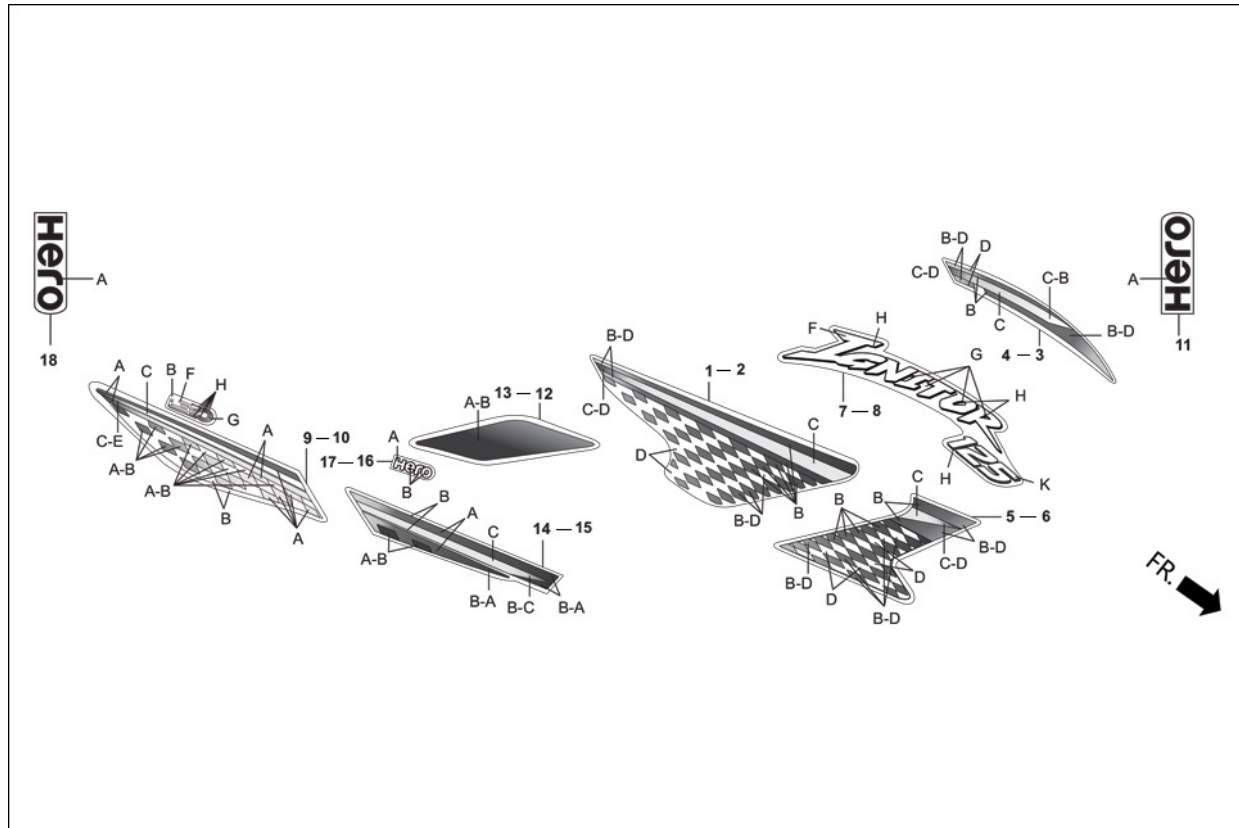
Group Number: F-25 Model :: Ignitor 125 (May, 2017)

Ref No.	Part Number	Description	Req.
3	86673-AAN-400R	STRIPE R COWL FT(BLACK NH-1(T1))	1
	86673-AAN-400S	STRIPE R COWL FT(BLACK NH-1(T2))	1
	86673-AAN-400T	STRIPE R COWL FT(BLACK NH-1(T3))	1
	86673-AAN-400U	STRIPE R COWL FT(CBR R-195C)	1

SPECIFIED COLOUR CHART FOR STRIPS, R. COWL FR.

SPECIFIED COLOUR TYPE	B	C	D	MAIN BODY COLOUR
1	SPORTS RED (R-321)	WHITE - 2	NH-1 BLACK	BLACK NH-1 (TYPE-1)
2	TORNADO GREY	SPORTS RED	NH-1 BLACK	BLACK NH-1 (TYPE-2)
3	TECHNO BLUE	WHITE - 2	NH-1 BLACK	BLACK NH-1 (TYPE-3)
4	NH-1 BLACK	WHITE - 2	TRANSPARENT	CANDY BLAZING RED (R-195C)

F-25 : STRIPES/MARKS



F-25 : STRIPES/MARKS

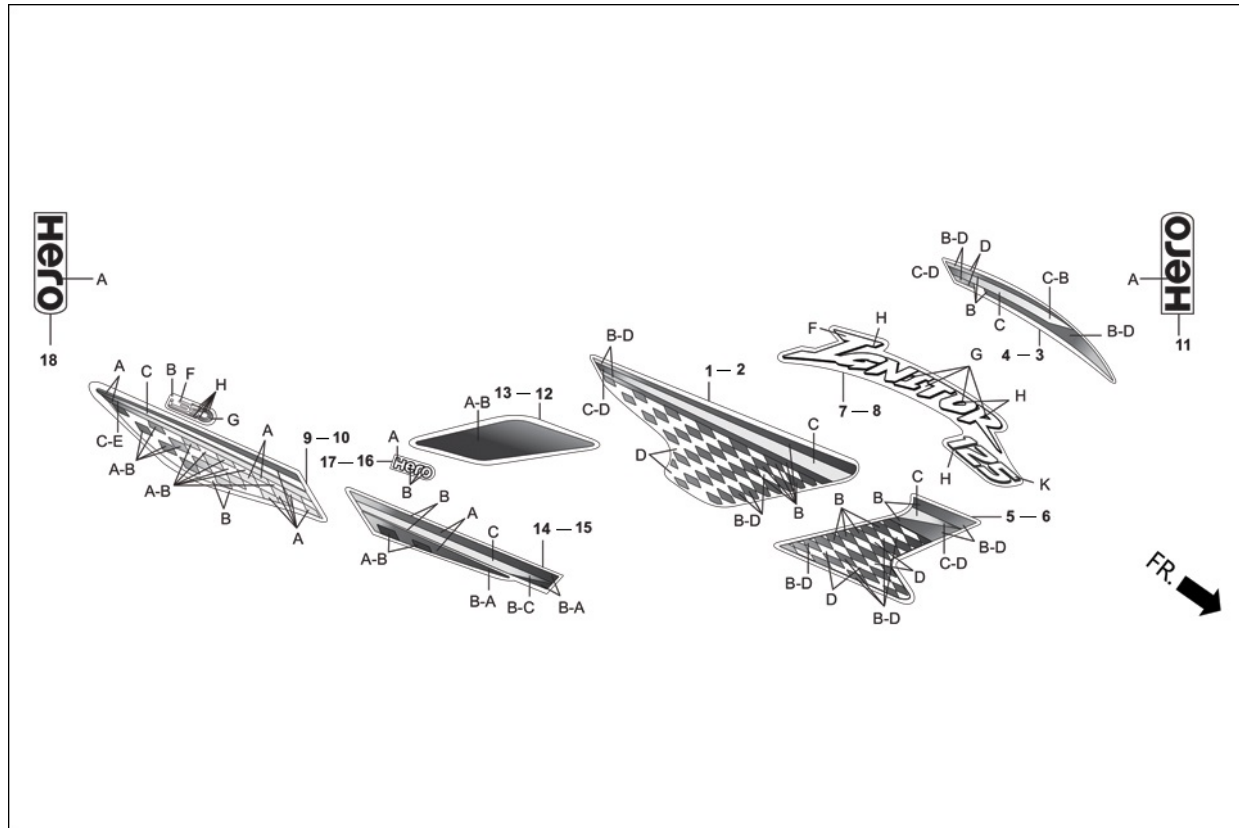
Group Number: F-25 Model :: Ignitor 125 (May, 2017)

Ref No.	Part Number	Description	Req.
4	86674-AAN-400R	STRIPE L COWL FT(BLACK NH-1(T1))	1
	86674-AAN-400S	STRIPE L COWL FT(BLACK NH-1(T2))	1
	86674-AAN-400T	STRIPE L COWL FT(BLACK NH-1(T3))	1
	86674-AAN-400U	STRIPE L COWL FT(CBR R-195C)	1

SPECIFIED COLOUR CHART FOR STRIPS, L. COWL FR.

SPECIFIED COLOUR TYPE	B	C	D	MAIN BODY COLOUR
1	SPORTS RED (R-321)	WHITE - 2	NH-1 BLACK	BLACK NH-1 (TYPE-1)
2	TORNADO GREY	SPORTS RED	NH-1 BLACK	BLACK NH-1 (TYPE-2)
3	TECHNO BLUE	WHITE - 2	NH-1 BLACK	BLACK NH-1 (TYPE-3)
4	NH-1 BLACK	WHITE - 2	TRANSPARENT	CANDY BLAZING RED (R-195C)

F-25 : STRIPES/MARKS



F-25 : STRIPES/MARKS

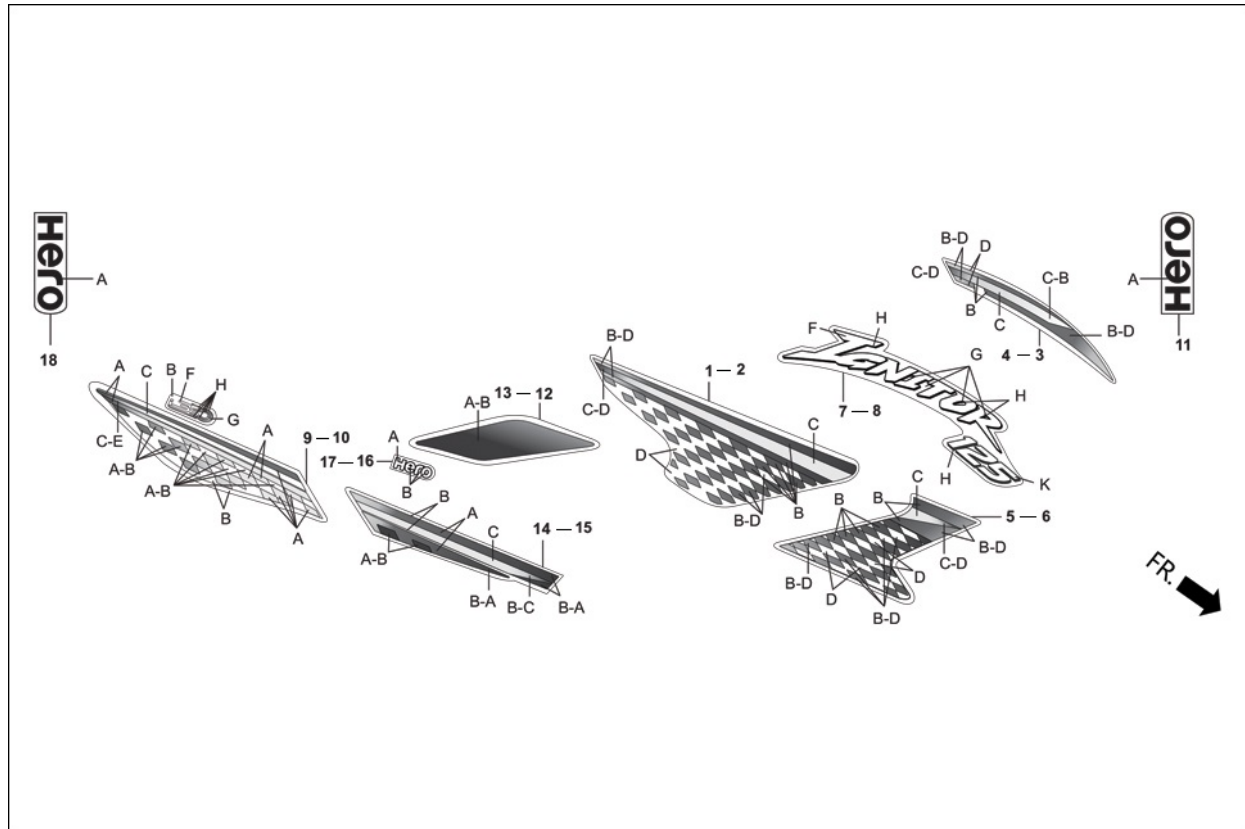
Group Number: F-25 Model :: Ignitor 125 (May, 2017)

Ref No.	Part Number	Description	Req.
5	86751-AAN-400R	STRIPE A R FT COWL(BLACK NH-1(T1))	1
	86751-AAN-400S	STRIPE A R FT COWL(BLACK NH-1(T2))	1
	86751-AAN-400T	STRIPE A R FT COWL(BLACK NH-1(T3))	1
	86751-AAN-400U	STRIPE A R FT COWL(CBR R-195C)	1

SPECIFIED COLOUR CHART FOR STRIPE, 'A' R. FRONT COWL

SPECIFIED COLOUR TYPE	B	C	D	MAIN BODY COLOUR
1	SPORTS RED (R-321)	WHITE - 2	NH-1 BLACK	BLACK NH-1 (TYPE-1)
2	TORNADO GREY	SPORTS RED	NH-1 BLACK	BLACK NH-1 (TYPE-2)
3	TECHNO BLUE	WHITE - 2	NH-1 BLACK	BLACK NH-1 (TYPE-3)
4	NH-1 BLACK	WHITE - 2	TRANSPARENT	CANDY BLAZING RED (R-195C)

F-25 : STRIPES/MARKS



F-25 : STRIPES/MARKS

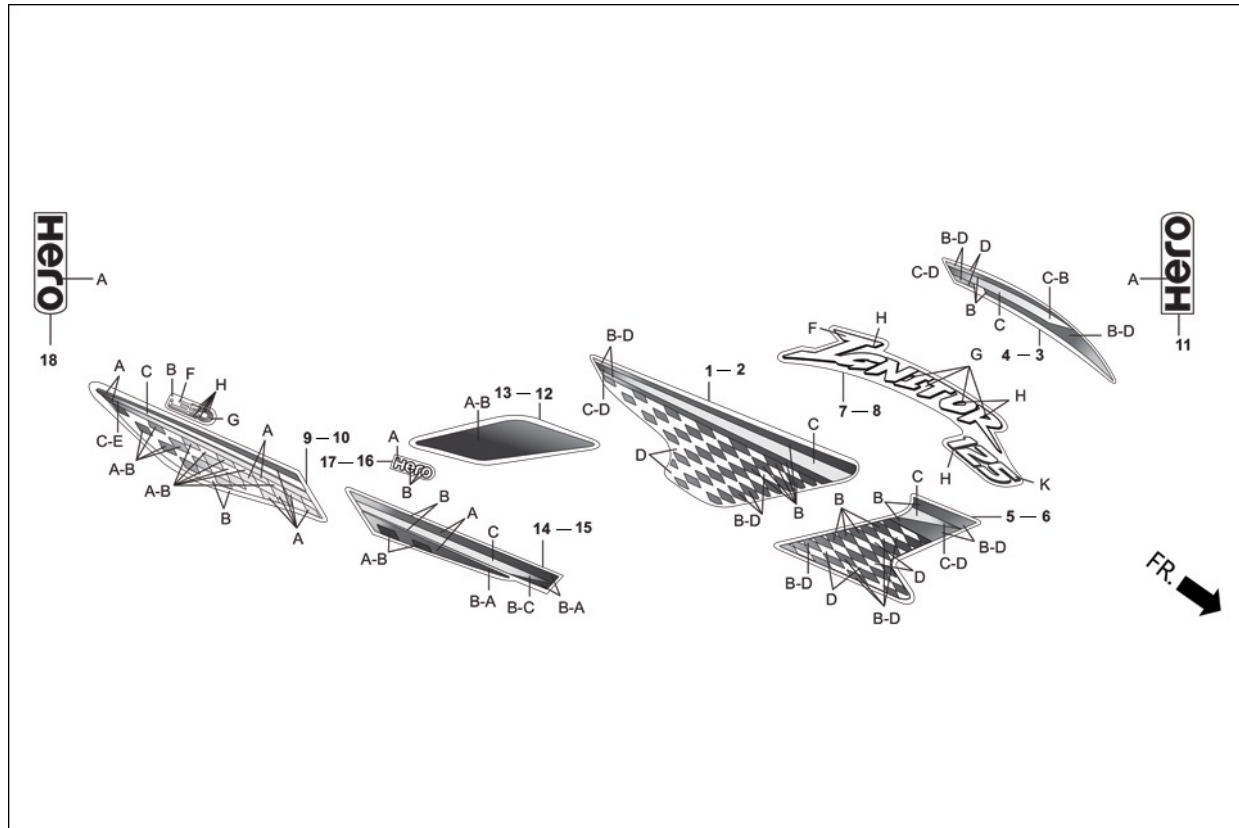
Group Number: F-25 Model :: Ignitor 125 (May, 2017)

Ref No.	Part Number	Description	Req.
6	86752-AAN-400R	STRIPE A L FT COWL(BLACK NH-1(T1))	1
	86752-AAN-400S	STRIPE A L FT COWL(BLACK NH-1(T2))	1
	86752-AAN-400T	STRIPE A L FT COWL(BLACK NH-1(T3))	1
	86752-AAN-400U	STRIPE A L FT COWL(CBR R-195C)	1

SPECIFIED COLOUR CHART FOR STRIPE, 'A' L. FRONT COWL

SPECIFIED COLOUR TYPE	B	C	D	MAIN BODY COLOUR
1	SPORTS RED (R-321)	WHITE - 2	NH-1 BLACK	BLACK NH-1 (TYPE-1)
2	TORNADO GREY	SPORTS RED	NH-1 BLACK	BLACK NH-1 (TYPE-2)
3	TECHNO BLUE	WHITE - 2	NH-1 BLACK	BLACK NH-1 (TYPE-3)
4	NH-1 BLACK	WHITE - 2	TRANSPARENT	CANDY BLAZING RED (R-195C)

F-25 : STRIPES/MARKS



F-25 : STRIPES/MARKS

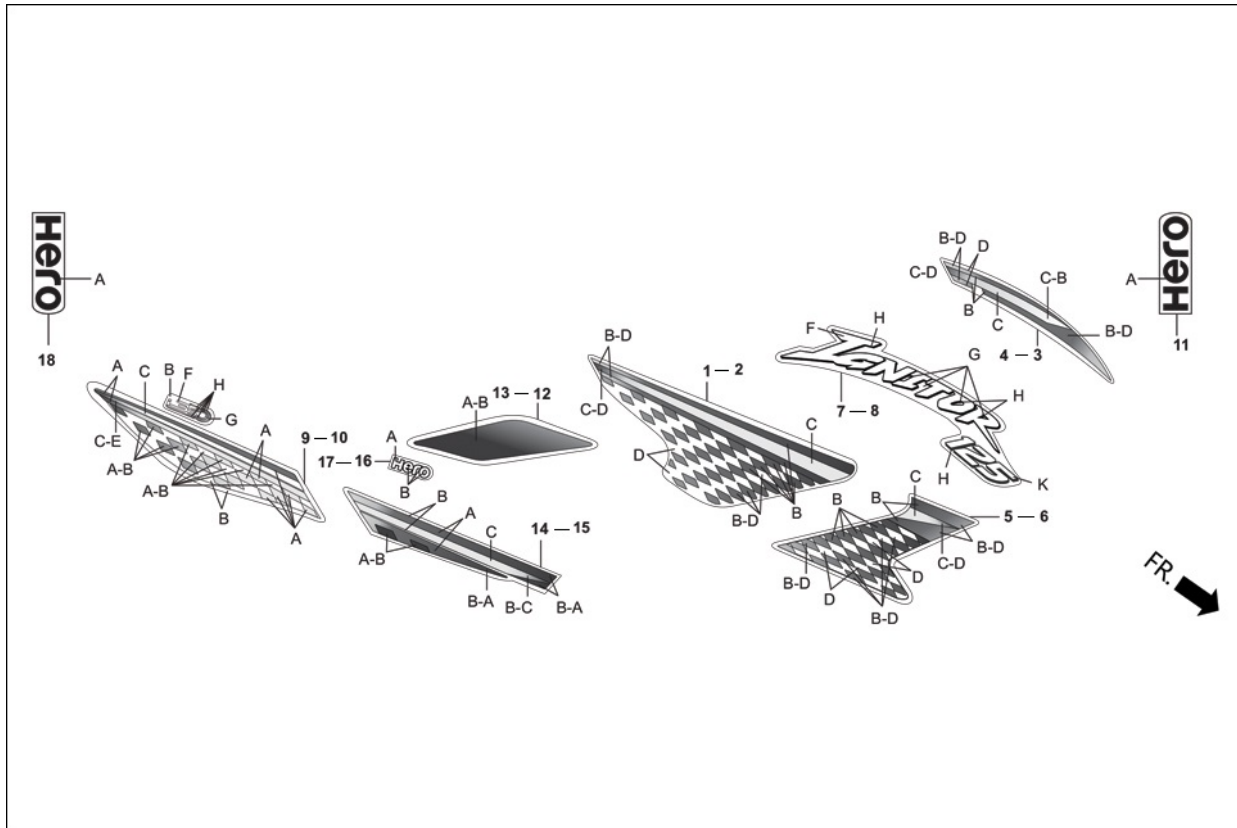
Group Number: F-25 Model :: Ignitor 125 (May, 2017)

Ref No.	Part Number	Description	Req.
7	86753-AAN-F00R	STRIPE B R FT COWL (TYPE-1)	1
	86753-AAN-F00U	STRIPE B R FT COWL (TYPE-2)	1

SPECIFIED COLOUR CHART FOR STRIPE, 'B' R. FRONT COWL

SPECIFIED TYPE COLOUR	F	G	H	K	MAIN BODY COLOUR
1	BRUSHED ALUMINIUM	NH-1 BLACK	HEAVY GREY ME.	WHITE 2	BLACK NH-1 (TYPE-1)
1	BRUSHED ALUMINIUM	NH-1 BLACK	HEAVY GREY ME.	WHITE 2	BLACK NH-1 (TYPE-2)
1	BRUSHED ALUMINIUM	NH-1 BLACK	HEAVY GREY ME.	WHITE 2	BLACK NH-1 (TYPE-3)
2	BRUSHED ALUMINIUM	TRANSPARENT	NH-1 BLACK	WHITE 2	CANDY BLAZING RED (R-195C)

F-25 : STRIPES/MARKS



F-25 : STRIPES/MARKS

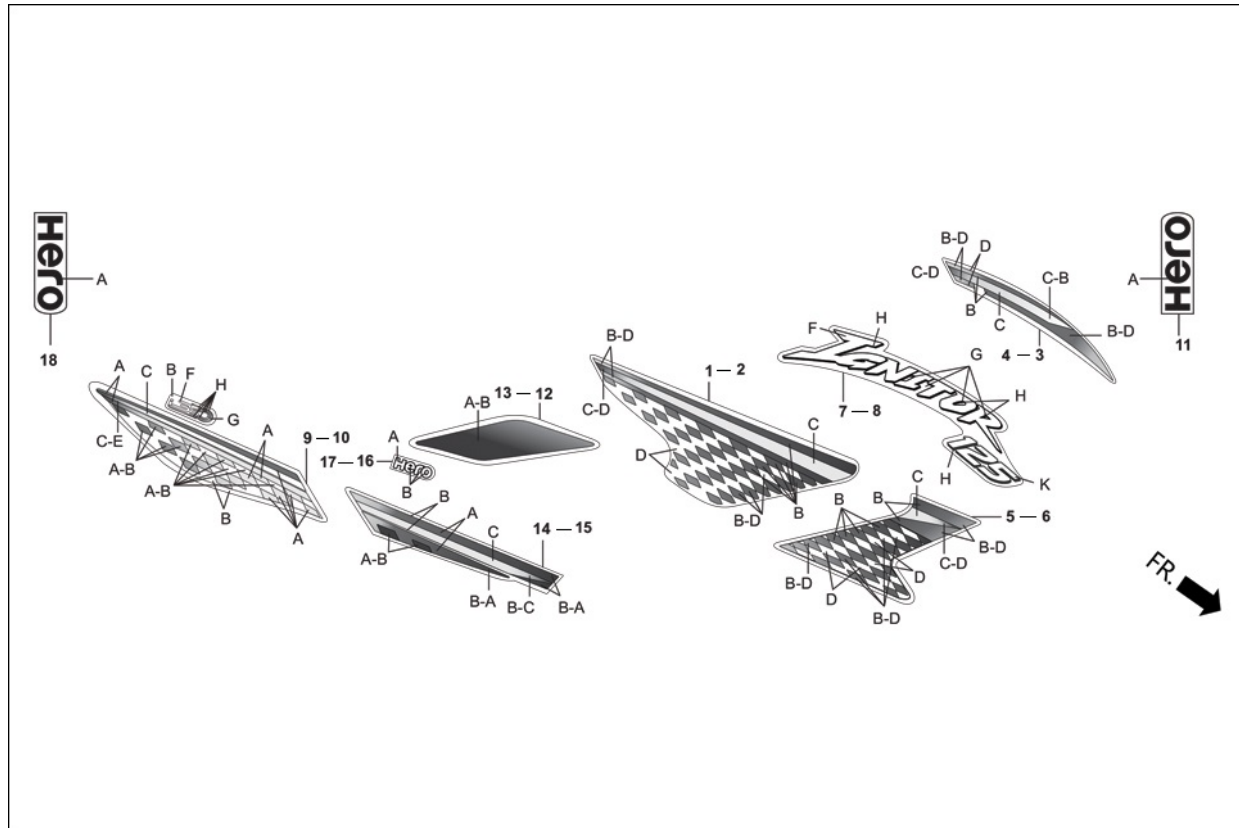
Group Number: F-25 Model :: Ignitor 125 (May, 2017)

Ref No.	Part Number	Description	Req.
8	86754-AAN-F00R	STRIPE B L FT COWL (TYPE-1)	1
	86754-AAN-F00U	STRIPE B L FT COWL (TYPE-2)	1

SPECIFIED COLOUR CHART FOR STRIPE, 'B' L. FRONT COWL

SPECIFIED TYPE COLOUR	F	G	H	K	MAIN BODY COLOUR
1	BRUSHED ALUMINIUM	NH-1 BLACK	HEAVY GREY ME.	WHITE 2	BLACK NH-1 (TYPE-1)
1	BRUSHED ALUMINIUM	NH-1 BLACK	HEAVY GREY ME.	WHITE 2	BLACK NH-1 (TYPE-2)
1	BRUSHED ALUMINIUM	NH-1 BLACK	HEAVY GREY ME.	WHITE 2	BLACK NH-1 (TYPE-3)
2	BRUSHED ALUMINIUM	TRANSPARENT	NH-1 BLACK	WHITE 2	CANDY BLAZING RED (R-195C)

F-25 : STRIPES/MARKS



F-25 : STRIPES/MARKS

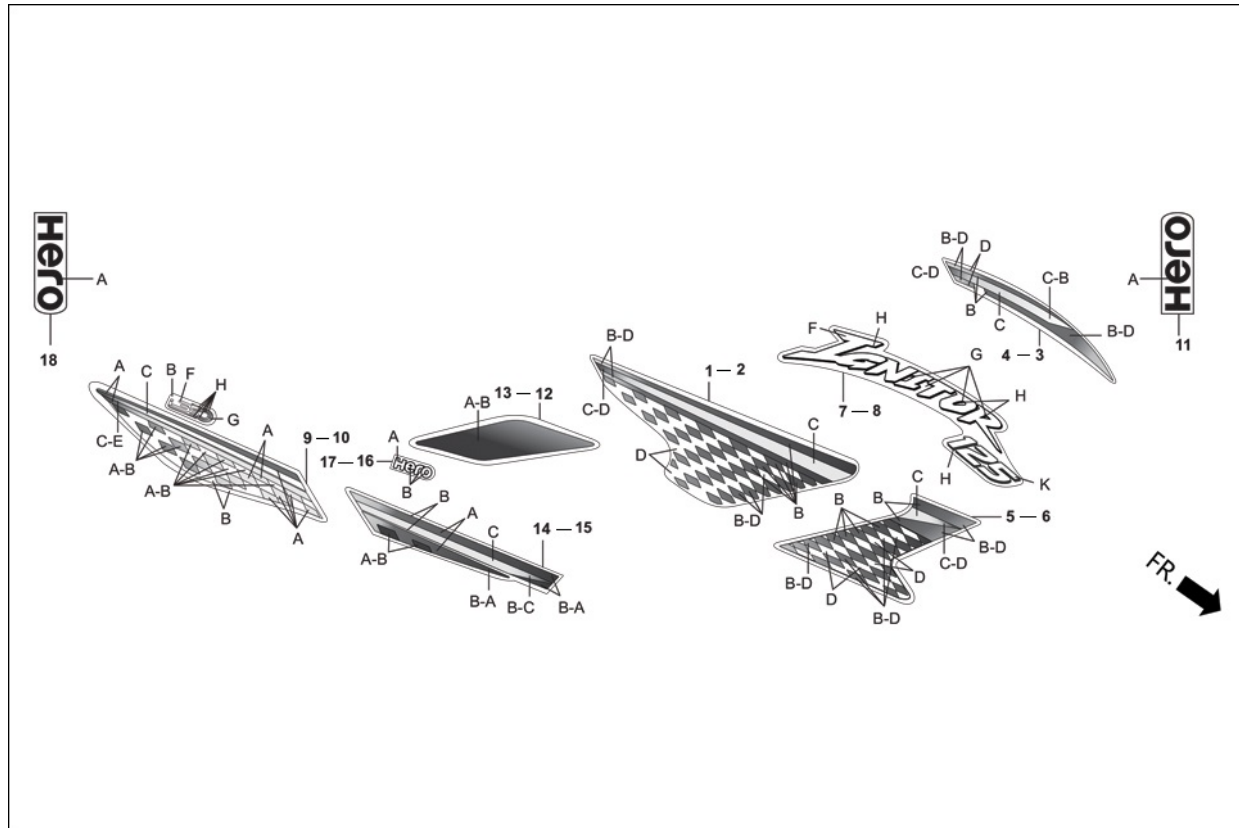
Group Number: F-25 Model :: Ignitor 125 (May, 2017)

Ref No.	Part Number	Description	Req.
9	86771-AAN-400R	STRIPE R SIDE COWL(BLACK NH-1(T1))	1
	86771-AAN-400S	STRIPE R SIDE COWL(BLACK NH-1(T2))	1
	86771-AAN-400T	STRIPE R SIDE COWL(BLACK NH-1(T3))	1
	86771-AAN-400U	STRIPE R SIDE COWL(CBR R-195C)	1

SPECIFIED COLOUR CHART FOR STRIPE, R. SIDE COWL

SPECIFIED COLOUR TYPE	A	B	C	D	E	F	G	H	MAIN BODY COLOUR
1	NH-1 BLACK	TRANSPARENT	WHITE - 2	NH-1 BLACK	SPORTS RED	WHITE - 2	FORCE SILVER ME.	TERRA SILVER ME.	BLACK NH-1 (TYPE-1)
2	NH-1 BLACK	TRANSPARENT	SPORTS RED	NH-1 BLACK	TORNADO GREY	NH-1 BLACK	TERRA SILVER ME.	HEAVY GREY ME.	BLACK NH-1 (TYPE-2)
3	NH-1 BLACK	TRANSPARENT	WHITE - 2	NH-1 BLACK	TECHNO BLUE	WHITE - 2	FORCE SILVER ME.	TERRA SILVER ME.	BLACK NH-1 (TYPE-3)
4	CANDY BLAZING RED	NH-1 BLACK	WHITE - 2	TRANSPARENT	NH-1 BLACK	WHITE - 2	FORCE SILVER ME.	TERRA SILVER ME.	CANDY BLAZING RED (R-195C)

F-25 : STRIPES/MARKS



F-25 : STRIPES/MARKS

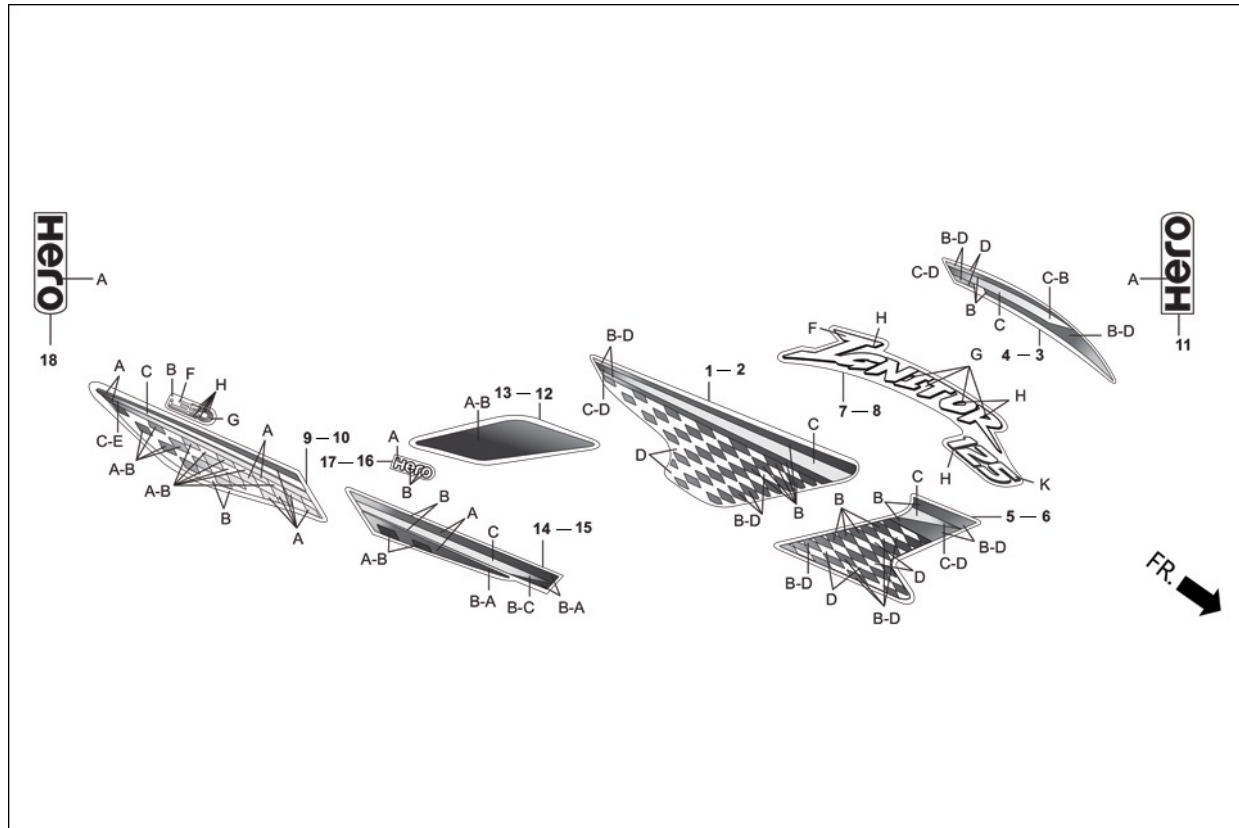
Group Number: F-25 **Model ::** Ignitor 125 (May, 2017)

Ref No.	Part Number	Description	Req.
10	86772-AAN-400R	STRIPE L SIDE COWL(BLACK NH-1(T1))	1
	86772-AAN-400S	STRIPE L SIDE COWL(BLACK NH-1(T2))	1
	86772-AAN-400T	STRIPE L SIDE COWL(BLACK NH-1(T3))	1
	86772-AAN-400U	STRIPE L SIDE COWL(CBR R-195C)	1

SPECIFIED COLOUR CHART FOR STRIPE, L. SIDE COWL

SPECIFIED COLOUR TYPE	A	B	C	D	E	F	G	H	MAIN BODY COLOUR
1	NH-1 BLACK	TRANSPARENT	WHITE - 2	NH-1 BLACK	SPORTS RED	WHITE - 2	FORCE SILVER ME.	TERRA SILVER ME.	BLACK NH-1 (TYPE-1)
2	NH-1 BLACK	TRANSPARENT	SPORTS RED	NH-1 BLACK	TORNADO GREY	NH-1 BLACK	TERRA SILVER ME.	HEAVY GREY ME.	BLACK NH-1 (TYPE-2)
3	NH-1 BLACK	TRANSPARENT	WHITE - 2	NH-1 BLACK	TECHNO BLUE	WHITE - 2	FORCE SILVER ME.	TERRA SILVER ME.	BLACK NH-1 (TYPE-3)
4	CANDY BLAZING RED	NH-1 BLACK	WHITE - 2	TRANSPARENT	NH-1 BLACK	WHITE - 2	FORCE SILVER ME.	TERRA SILVER ME.	CANDY BLAZING RED (R-195C)

F-25 : STRIPES/MARKS



F-25 : STRIPES/MARKS

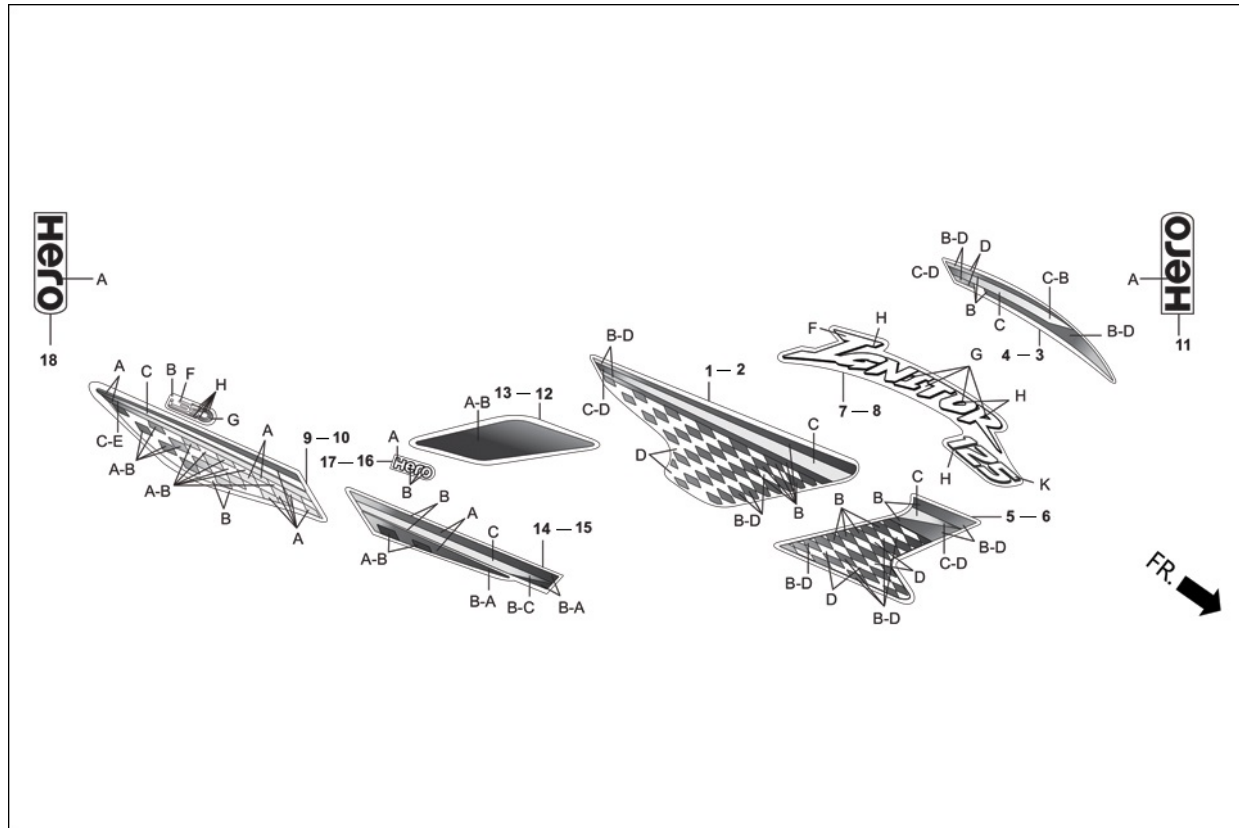
Group Number: F-25 Model :: Ignitor 125 (May, 2017)

Ref No.	Part Number	Description	Req.
11	86776-AAN-400R	MARK HERO FR FENDER(BLACK NH-1(T1)	1
	86776-AAN-400S	MARK HERO FR FENDER(BLACK NH-1(T2)	1

SPECIFIED COLOUR CHART FOR MARK, HERO FR. FENDER

SPECIFIED TYPE COLOUR	A	B	MAIN BODY COLOUR
1	WHITE - 2	NH-1 BLACK	BLACK NH-1 (TYPE-1)
1	WHITE - 2	NH-1 BLACK	BLACK NH-1 (TYPE-2)
1	WHITE - 2	NH-1 BLACK	BLACK NH-1 (TYPE-3)
2	WHITE - 2	TRANSPARENT	CANDY BLAZING RED (R-195C)

F-25 : STRIPES/MARKS



F-25 : STRIPES/MARKS

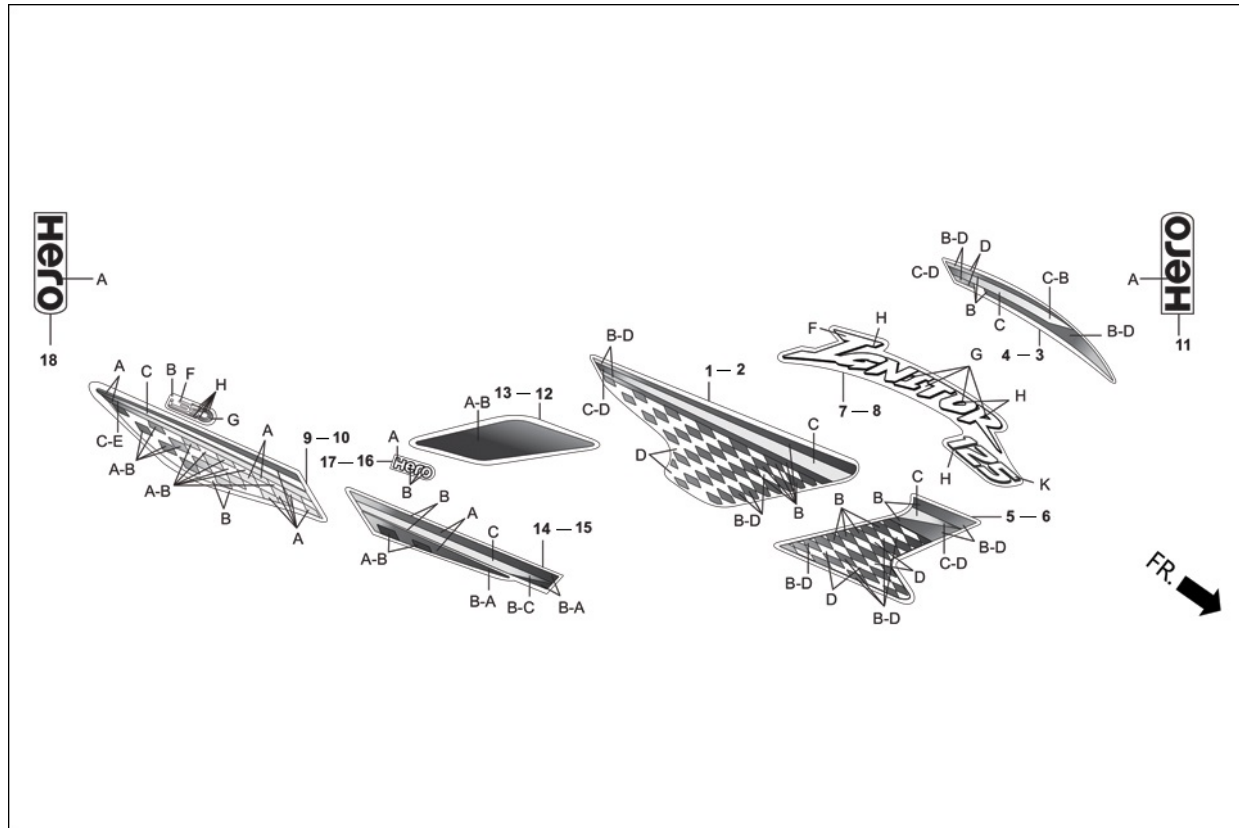
Group Number: F-25 Model :: Ignitor 125 (May, 2017)

Ref No.	Part Number	Description	Req.
12	86781-AAN-400R	STRIPE R COV FR(BLACK NH-1(T1)	1
	86781-AAN-400S	STRIPE R COV FR(BLACK NH-1(T2)	1
	86781-AAN-400T	STRIPE R COV FR(BLACK NH-1(T3)	1
	86781-AAN-400U	STRIPE R COV FR(CBR R-195C)	1

SPECIFIED COLOUR CHART FOR STRIPE, R COVER FR.

SPECIFIED TYPE \ COLOUR	A	B	MAIN BODY COLOUR
1	SPORTS RED	NH-1 BLACK	BLACK NH-1 (TYPE-1)
2	TORNADO GREY	NH-1 BLACK	BLACK NH-1 (TYPE-2)
3	TECHNO BLUE	NH-1 BLACK	BLACK NH-1 (TYPE-3)
4	NH-1 BLACK	TRANSPARENT	CANDY BLAZING RED (R-195C)

F-25 : STRIPES/MARKS



F-25 : STRIPES/MARKS

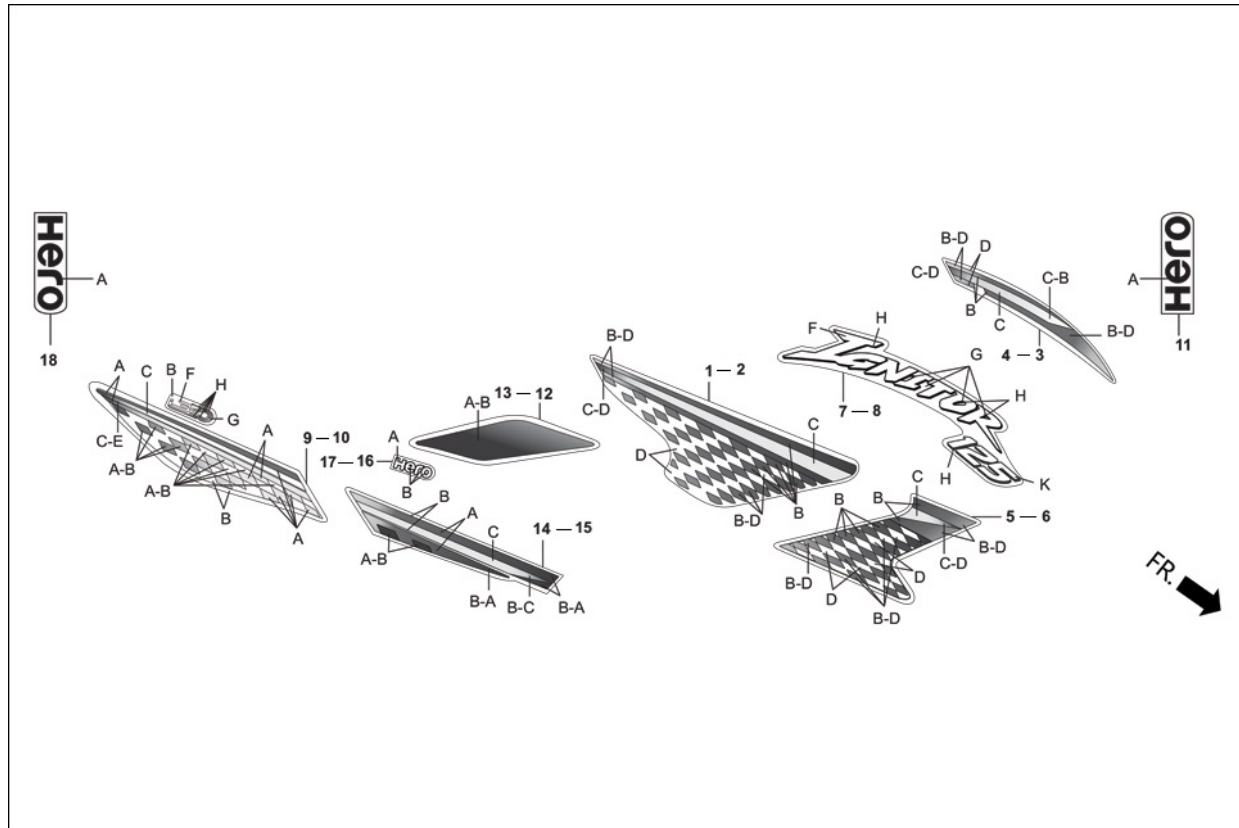
Group Number: F-25 Model :: Ignitor 125 (May, 2017)

Ref No.	Part Number	Description	Req.
13	86782-AAN-400R	STRIPE L COV FR(BLACK NH-1(T1)	1
	86782-AAN-400S	STRIPE L COV FR(BLACK NH-1(T2)	1
	86782-AAN-400T	STRIPE L COV FR(BLACK NH-1(T3)	1
	86782-AAN-400U	STRIPE L COV FR(CBR R-195C)	1

SPECIFIED COLOUR CHART FOR STRIPE, R COVER FR.

SPECIFIED TYPE \ COLOUR	A	B	MAIN BODY COLOUR
1	SPORTS RED	NH-1 BLACK	BLACK NH-1 (TYPE-1)
2	TORNADO GREY	NH-1 BLACK	BLACK NH-1 (TYPE-2)
3	TECHNO BLUE	NH-1 BLACK	BLACK NH-1 (TYPE-3)
4	NH-1 BLACK	TRANSPARENT	CANDY BLAZING RED (R-195C)

F-25 : STRIPES/MARKS



F-25 : STRIPES/MARKS

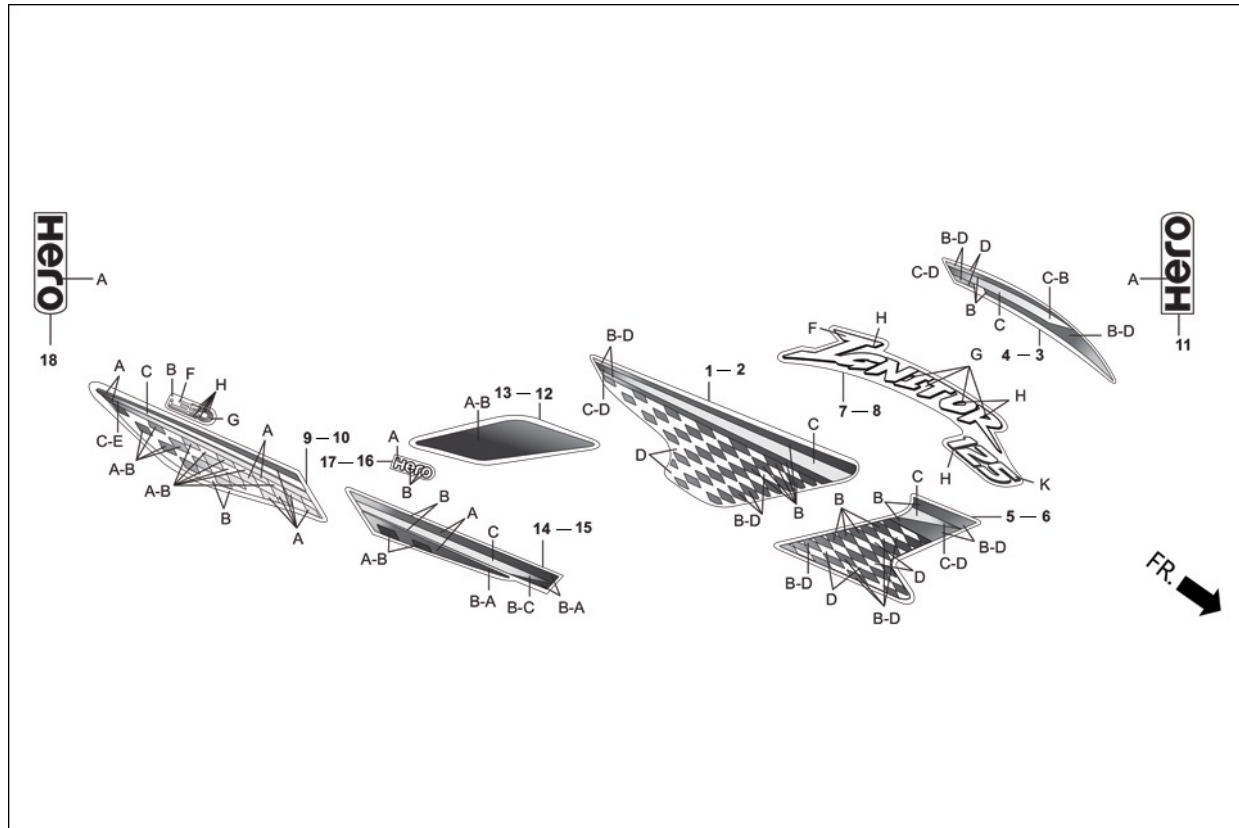
Group Number: F-25 Model :: Ignitor 125 (May, 2017)

Ref No.	Part Number	Description	Req.
14	86831-AAN-400R	STRIPE R SIDE COV(BLACK NH-1(T1)	1
	86831-AAN-400S	STRIPE R SIDE COV(BLACK NH-1(T2)	1
	86831-AAN-400T	STRIPE R SIDE COV(BLACK NH-1(T3)	1

SPECIFIED COLOUR CHART FOR STRIPE, R. SIDE COVER

SPECIFIED COLOUR TYPE	A	B	C	MAIN BODY COLOUR
1	NH-1 BLACK	TRANSPARENT	WHITE - 2	BLACK NH-1 (TYPE-1)
2	NH-1 BLACK	TRANSPARENT	SPORTS RED	BLACK NH-1 (TYPE-2)
1	NH-1 BLACK	TRANSPARENT	WHITE - 2	BLACK NH-1 (TYPE-3)
3	CANDY BLAZING RED	NH-1 BLACK	WHITE - 2	CANDY BLAZING RED (R-195C)

F-25 : STRIPES/MARKS



F-25 : STRIPES/MARKS

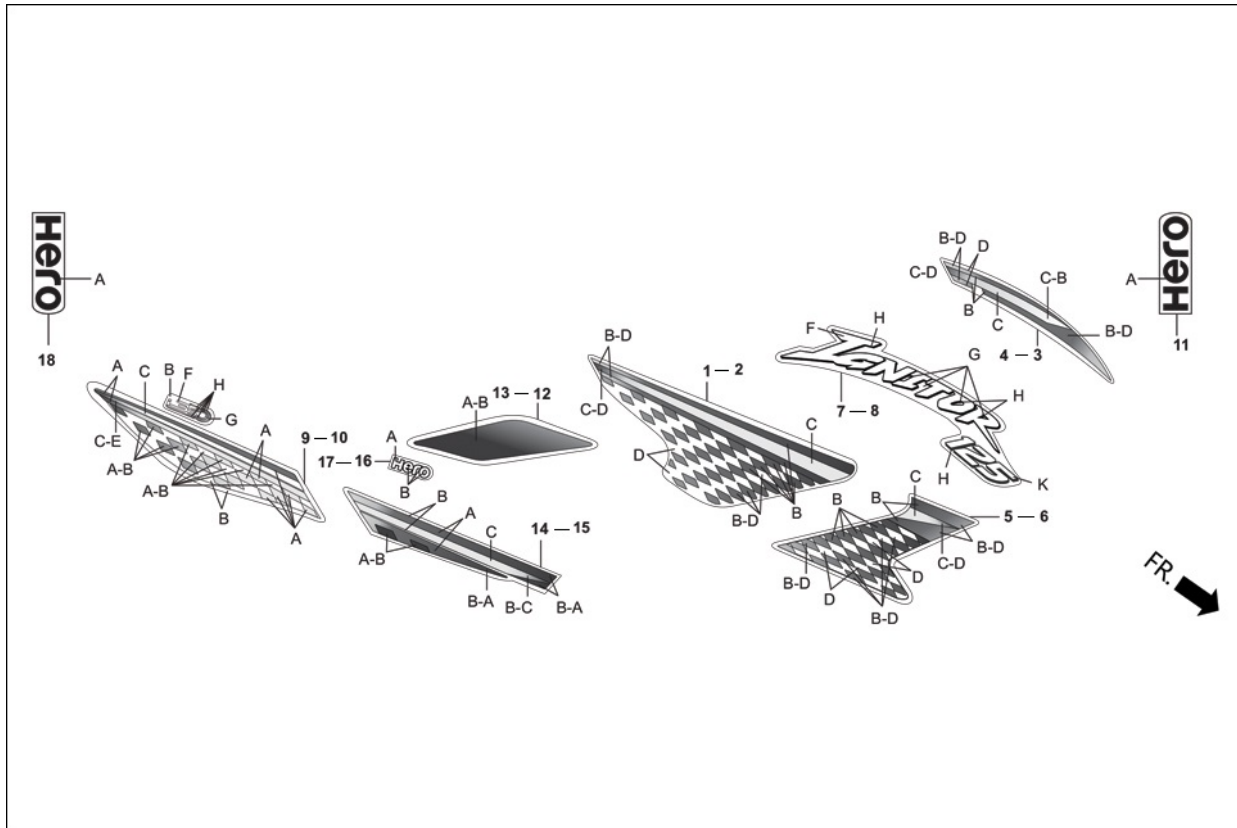
Group Number: F-25 Model :: Ignitor 125 (May, 2017)

Ref No.	Part Number	Description	Req.
15	86832-AAN-400R	STRIPE L SIDE COV(BLACK NH-1(T1)	1
	86832-AAN-400S	STRIPE L SIDE COV(BLACK NH-1(T2)	1
	86832-AAN-400T	STRIPE L SIDE COV(BLACK NH-1(T3)	1

SPECIFIED COLOUR CHART FOR STRIPE, L. SIDE COVER

SPECIFIED TYPE COLOUR	A	B	C	MAIN BODY COLOUR
1	NH-1 BLACK	TRANSPARENT	WHITE - 2	BLACK NH-1 (TYPE-1)
2	NH-1 BLACK	TRANSPARENT	SPORTS RED	BLACK NH-1 (TYPE-2)
1	NH-1 BLACK	TRANSPARENT	WHITE - 2	BLACK NH-1 (TYPE-3)
3	CANDY BLAZING RED	NH-1 BLACK	WHITE - 2	CANDY BLAZING RED (R-195C)

F-25 : STRIPES/MARKS



F-25 : STRIPES/MARKS

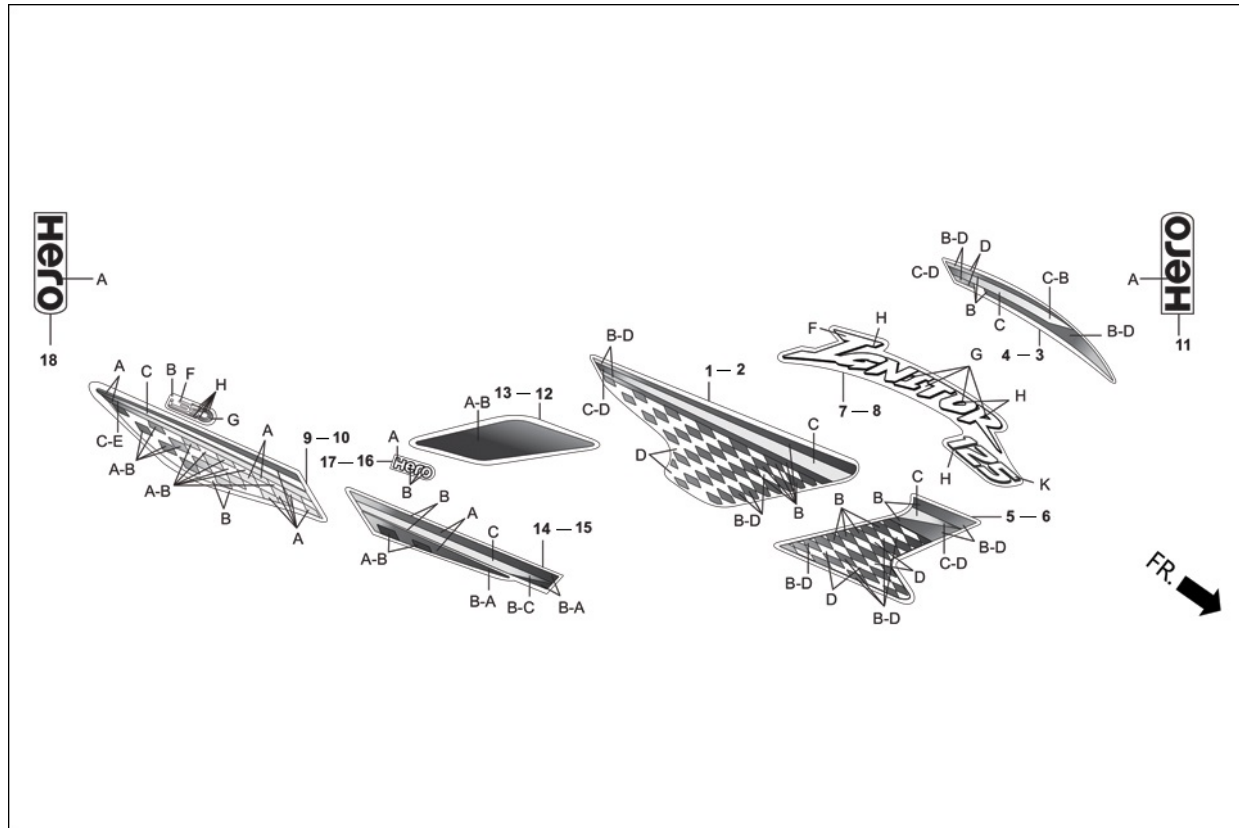
Group Number: F-25 Model :: Ignitor 125 (May, 2017)

Ref No.	Part Number	Description	Req.
16	86833-AAN-400R	MARK HERO R SIDE COV(BLACK NH-1(T1)	1
	86833-AAN-400S	MARK HERO R SIDE COV(BLACK NH-1(T2)	1
	86833-AAN-400T	MARK HERO R SIDE COV(BLACK NH-1(T3)	1

SPECIFIED COLOUR CHART FOR MARK, HERO R. SIDE COVER

SPECIFIED COLOUR TYPE	A	B	MAIN BODY COLOUR
1	WHITE - 2	TRANSPARENT	BLACK NH-1 (TYPE-1)
2	NH-1 BLACK	TRANSPARENT	BLACK NH-1 (TYPE-2)
1	WHITE - 2	TRANSPARENT	BLACK NH-1 (TYPE-3)
3	WHITE - 2	NH-1 BLACK	CANDY BLAZING RED (R-195C)

F-25 : STRIPES/MARKS



F-25 : STRIPES/MARKS

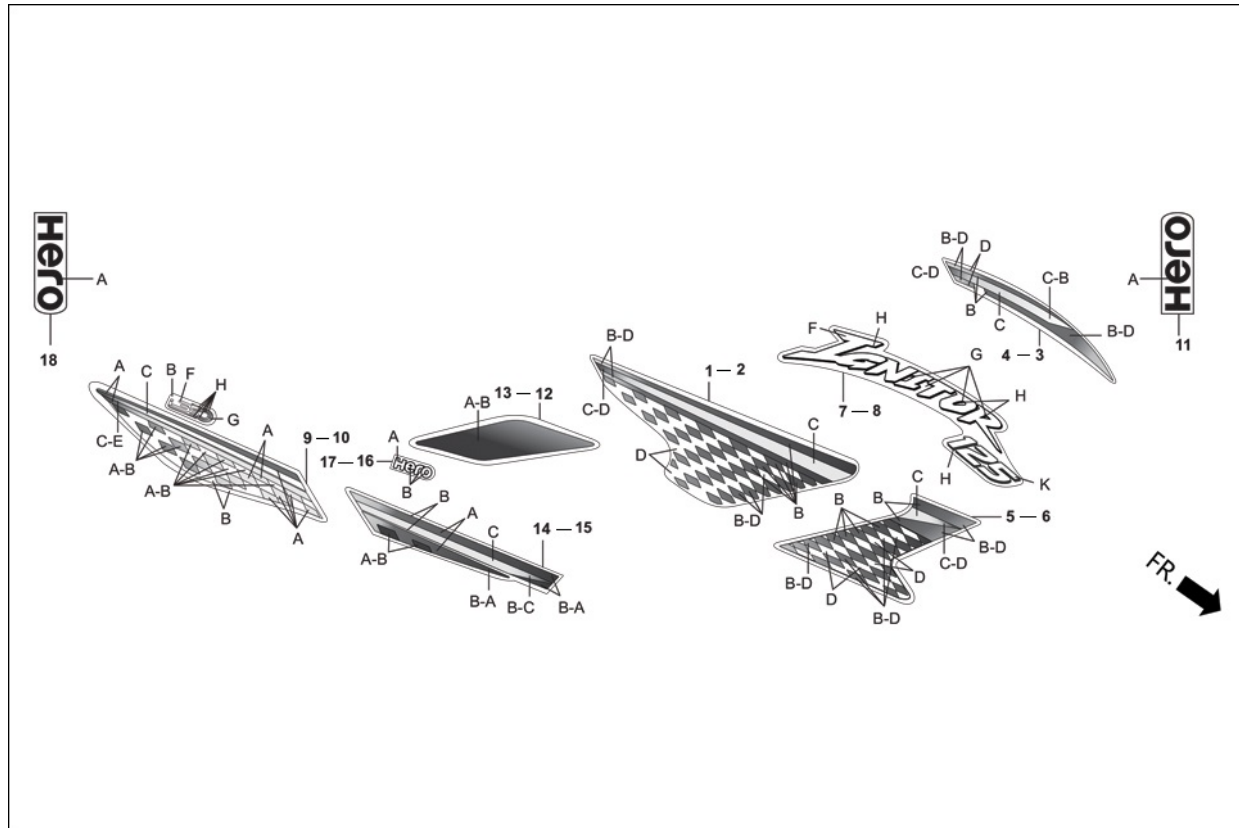
Group Number: F-25 Model :: Ignitor 125 (May, 2017)

Ref No.	Part Number	Description	Req.
17	86834-AAN-400R	MARK HERO L SIDE COV(BLACK NH-1(T1)	1
	86834-AAN-400S	MARK HERO L SIDE COV(BLACK NH-1(T2)	1
	86834-AAN-400T	MARK HERO L SIDE COV(BLACK NH-1(T3)	1

SPECIFIED COLOUR CHART FOR MARK, HERO L. SIDE COVER

SPECIFIED TYPE COLOUR	A	B	MAIN BODY COLOUR
1	WHITE - 2	TRANSPARENT	BLACK NH-1 (TYPE-1)
2	NH-1 BLACK	TRANSPARENT	BLACK NH-1 (TYPE-2)
1	WHITE - 2	TRANSPARENT	BLACK NH-1 (TYPE-3)
3	WHITE - 2	NH-1 BLACK	CANDY BLAZING RED (R-195C)

F-25 : STRIPES/MARKS



F-25 : STRIPES/MARKS

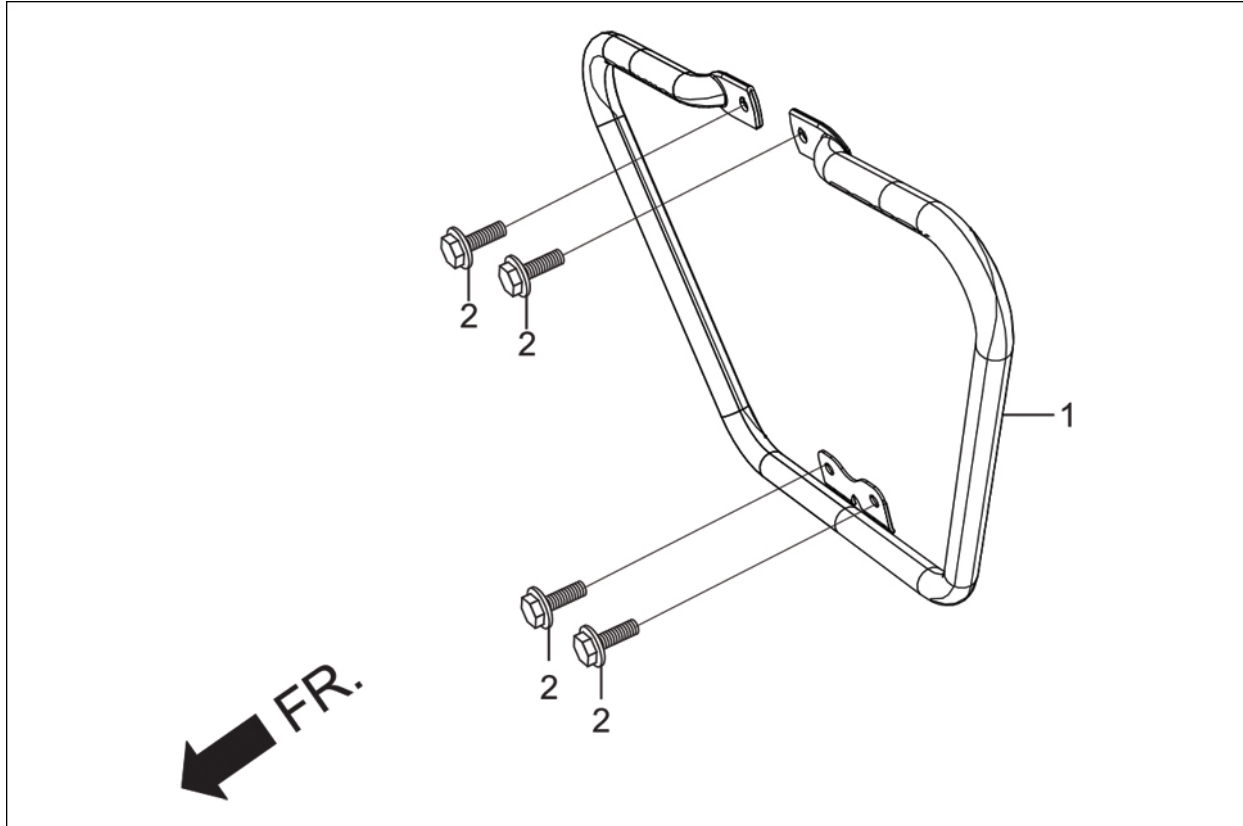
Group Number: F-25 Model :: Ignitor 125 (May, 2017)

Ref No.	Part Number	Description	Req.
18	87117-AAN-400R	MARK CENTER RR COWL(BLACK NH-1(T1)	1
	87117-AAN-400S	MARK CENTER RR COWL(BLACK NH-1(T2)	1
	87117-AAN-400T	MARK CENTER RR COWL(BLACK NH-1(T3)	1

SPECIFIED COLOUR CHART FOR MARK, CENTER RR. COWL

SPECIFIED TYPE COLOUR	A	B	MAIN BODY COLOUR
1	WHITE - 2	TRANSPARENT	BLACK NH-1 (TYPE-1)
2	NH-1 BLACK	TRANSPARENT	BLACK NH-1 (TYPE-2)
1	WHITE - 2	TRANSPARENT	BLACK NH-1 (TYPE-3)
3	WHITE - 2	NH-1 BLACK	CANDY BLAZING RED (R-195C)

F-26 : GUARD ENGINE

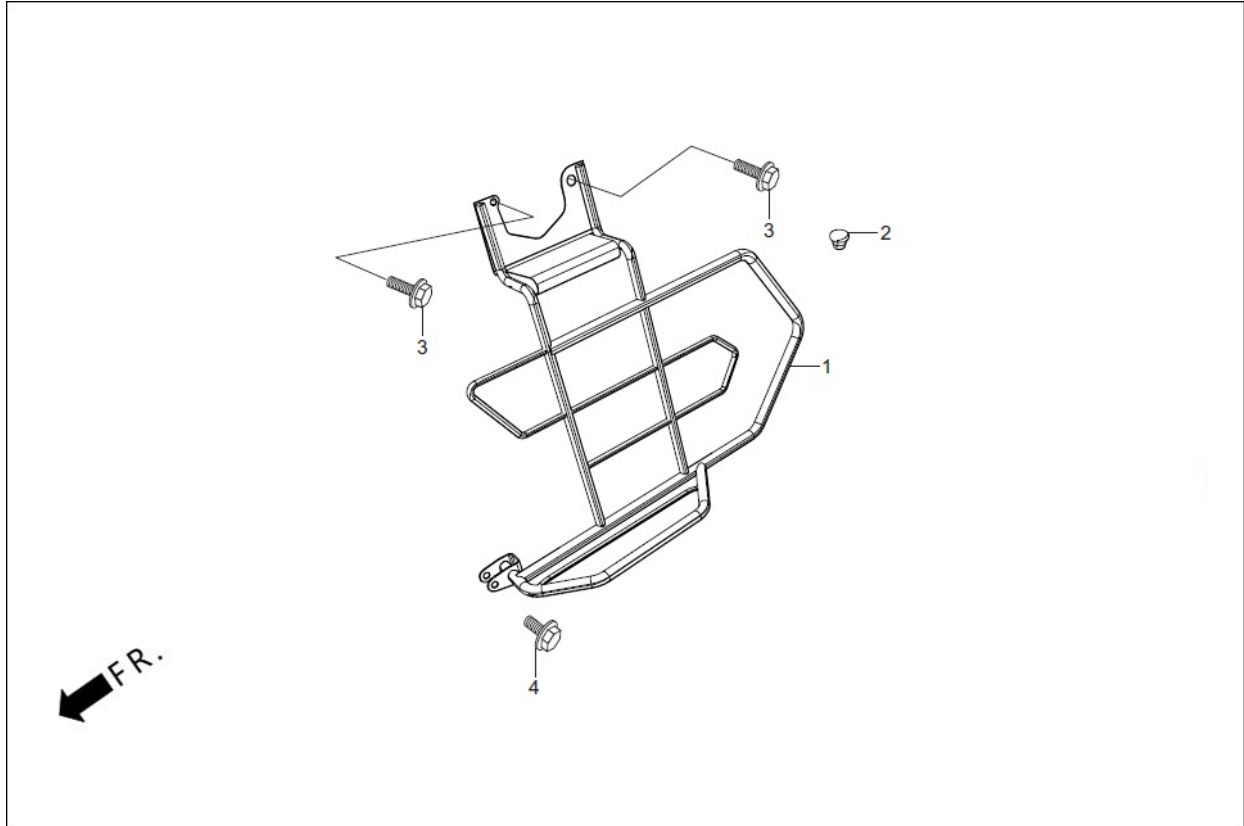


F-26 : GUARD ENGINE

Group Number: F-26 **Model ::** Ignitor 125 (May, 2017)

Ref No.	Part Number	Description	Req.
1	50803-AAN-410	GUARD ENGINE	1
	50803-AAN-410	GUARD ENGINE	1
2	95701-08016-00	BOLT, FLANGE, 8X16	4
	95701-08016-00	BOLT, FLANGE, 8X16	4

F-26A : GUARD SARI

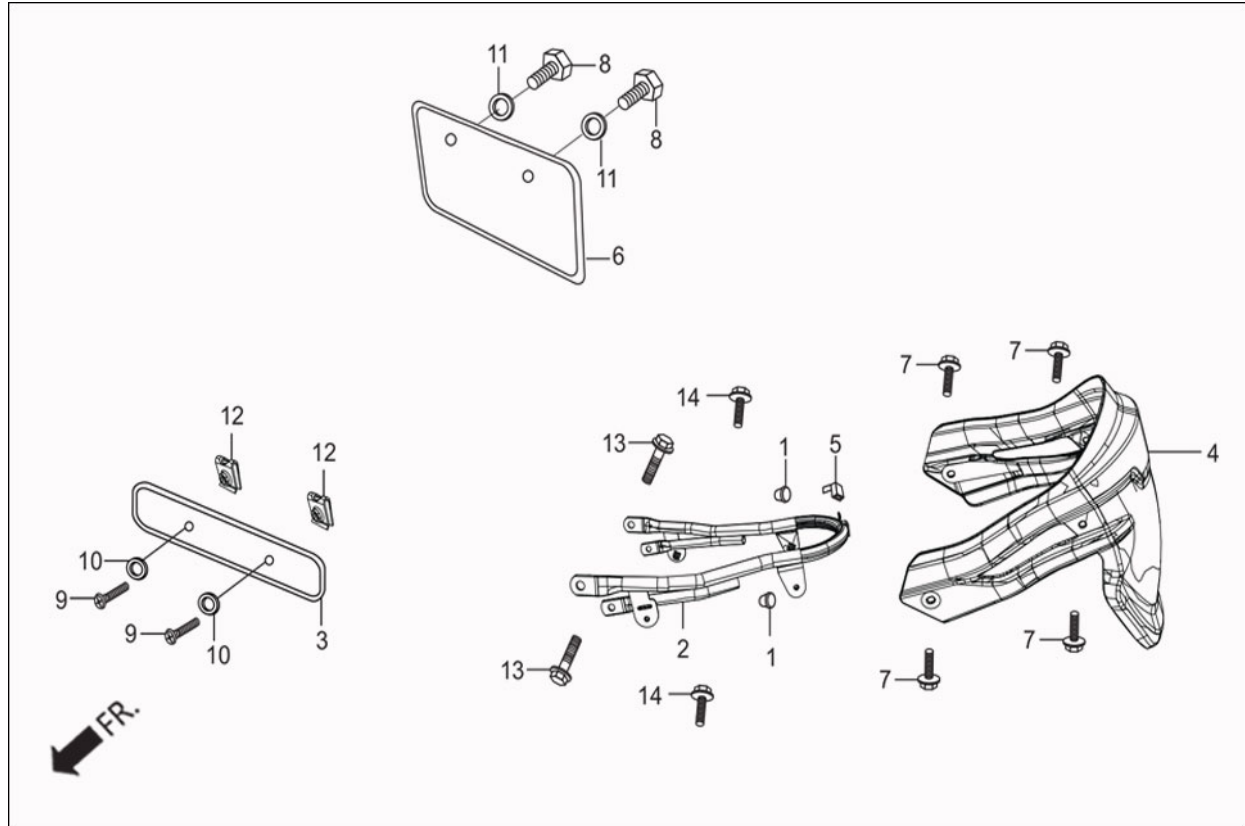


F-26A : GUARD SARI

Group Number: F-26A **Model ::** Ignitor 125 (May, 2017)

Ref No.	Part Number	Description	Req.
1	51103-AAN-410	GUARD SARI	1
2	51106-KCC-900	CAP, GUARD SARI	1
3	95701-08016-00	BOLT, FLANGE, 8X16	2
	95701-08016-00	BOLT, FLANGE, 8X16	2
4	95701-08030-07	BOLT, FLANGE 8X30	1
	95701-08030-07	BOLT, FLANGE 8X30	1

F-26B : NUMBER PLATE/HUGGER RR. FENDER/(OPTIONAL)



F-26B : NUMBER PLATE/HUGGER RR. FENDER/(OPTIONAL)

Group Number: F-26B **Model ::** Ignitor 125 (May, 2017)

Ref No.	Part Number	Description	Req.
1	51106-KCC-900	CAP, GUARD SARI	2
2	52106-AAN-410	STAY HUGGER FENDER	1
	52106-AAN-410	STAY HUGGER FENDER	1
3	64310-198-D20A	PLATE, FRONT NUMBER	1
	64310-198-D20A	PLATE, FRONT NUMBER	1
4	80350-ABA-000	RR HUGGER FENDER	1
	80350-ABA-000	RR HUGGER FENDER	1
5	83502-KCC-900	GROMMET, SIDE COVER	1
	83502-KCC-900	GROMMET, SIDE COVER	1
6	84701-P26-D00A	NUMBER, PLATE REAR	1
7	90111-KPL-900	BOLT, INNER COVER	4
	90111-KPL-900	BOLT, INNER COVER	4
8	92000-06012-0A	BOLT,HEX.,6X12	2
9	93500-05010-1G	SCREW PAN 5 X 10	2
10	94101-05000	WASHER , PLAIN, 5MM	2
11	94101-06000	WASHER, PLAIN, 6 MM	2
	94101-06000	WASHER, PLAIN, 6 MM	2
12	90320-GC3-000	NUT, SPRING, M5	2
13	95801-10040-07	BOLT FLANGE, 10 X 40	2
14	95701-08016-07	BOLT FLANGE, 8 X 16	2

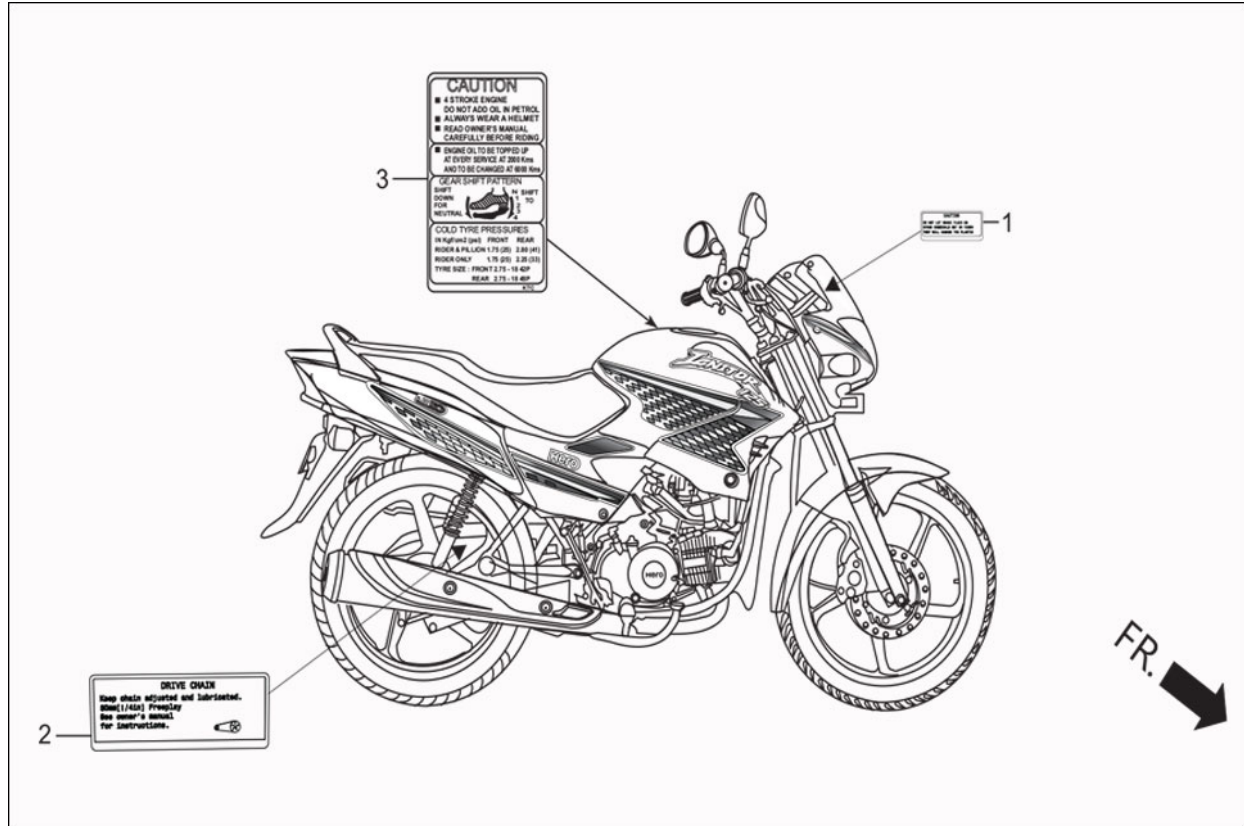
F-26B : NUMBER PLATE/HUGGER RR. FENDER/(OPTIONAL)

95701-08016-07

BOLT FLANGE, 8 X 16

2

F-27 : CAUTION LABEL



F-27 : CAUTION LABEL

Group Number: F-27 **Model ::** Ignitor 125 (May, 2017)

Ref No.	Part Number	Description	Req.
1	87522-MAB-600	LABEL, VISOR CAUTION	1
2	87507-AAN-410	LABEL DRIVE CHAIN	1
3	87560-AAN-410	LABEL DRIVE	1

PARTS INDEX

PART NO	BLOCK	PART NO	BLOCK
2830A-KTR-840	F-15A	12361-KTR-A00	E-1
2830A-KTR-840	F-15A	13000-AAN-410	E-7
3310B-AAN-40099	F-1	13000-AAN-410	E-7
3310B-AAN-40099	F-1	13011-AAN-410	E-7
3340B-AAN-G01	F-19	13011-AAN-410	E-7
3340B-AAN-G01	F-19	13101-AAN-410	E-7
3345B-AAN-G01	F-19	13101-AAN-410	E-7
3345B-AAN-G01	F-19	13111-087-000	E-7
3360B-AAN-G01	F-20	13111-087-000	E-7
3360B-AAN-G01	F-20	13115-001-000	E-7
3365B-AAN-G01	F-20	13115-001-000	E-7
3365B-AAN-G01	F-20	13201-AAN-410	E-7
3372B-AAN-D01	F-18	13322-KTC-900	E-7
3372B-AAN-D01	F-18	13380-AAN-410	E-7
4052A-AAN-410	F-16A	14100-AAN-410	E-1C
4052A-AAN-410	F-16A	14100-AAN-410	E-1C
5035A-AAN-410	F-23	14311-KPH-900	E-7
5035A-AAN-410	F-23	14321-AAG-100	E-2
5313A-AAN-H20	F-3C	14321-AAG-100	E-2
5313A-AAN-H20	F-3C	14321-AAG-400	E-2
06451-KCC-841	F-4A	14401-AAG-00099	E-2
06451-KCC-841	F-4A	14430-AAT-000	E-1C
06455-KCC-841	F-4A	14430-AAT-000	E-1C
06455-KCC-841	F-4A	14451-AAN-410	E-1C
7720A-AAN-410	F-10	14451-AAN-410	E-1C
7720A-AAN-410	F-10	14510-KTC-901	E-2
11100-AAN-410	E-3B	14510-KTC-901	E-2
11100-AAN-410	E-3B	14515-KTC-901	E-2
11200-AAN-410	E-3B	14515-KTC-901	E-2

11200-AAN-410	E-3B	14520-AAN-410	E-2
11208-KTC-900	E-3B	14520-AAN-410	E-2
11208-KTC-900	E-3B	14560-KSP-910	E-2
11215-KTC-901	E-3B	14560-KSP-910	E-2
11215-KTC-901	E-3B	14610-KPH-900	E-2
11216-KTC-901	E-3B	14610-KPH-900	E-2
11216-KTC-901	E-3B	14711-AAT-00099	E-1C
11217-KTC-901	E-3B	14711-AAT-00099	E-1C
11217-KTC-901	E-3B	14721-AAT-00099	E-1C
11330-AAN-410	E-3	14721-AAT-00099	E-1C
11330-AAN-410	E-3	14751-AAN-410	E-1C
11341-AAN-410	E-3A	14751-AAN-410	E-1C
11341-AAN-410	E-3A	14761-AAT-000	E-1C
11360-AAN-410	E-3A	14761-AAT-000	E-1C
11360-AAN-410	E-3A	14771-AAT-000	E-1C
11394-AAN-410	E-3	14771-AAT-000	E-1C
11394-AAN-410	E-3	14775-MA6-000	E-1C
11395-AAN-410	E-3A	14775-MA6-000	E-1C
11395-AAN-410	E-3A	14781-MA6-000	E-1C
12100-AAN-410	E-1B	14781-MA6-000	E-1C
12100-AAN-410	E-1B	15100-AAN-410	E-6
12191-AAN-410	E-1B	15100-AAN-410	E-6
12191-AAN-410	E-1B	15341-KTC-900	E-6
12200-AAN-500	E-1A	15341-KTC-900	E-6
12200-AAN-500	E-1A	15421-035-010	E-6
12209-AAN-410	E-1C	15421-035-010	E-6
12209-AAN-410	E-1C	15431-KTC-901	E-6
12211-AAN-410	E-1C	15431-KTC-901	E-6
12211-AAN-410	E-1C	15441-KTC-900A	E-3B
12237-AAT-305	E-1A	15441-KTC-900A	E-3B

12251-AAN-410	E-1A	15441-KTC-900	E-6
12251-AAN-410	E-1A	15441-KTC-900	E-6
12341-AAN-410	E-1	15441-KTC-900A	E-6
12341-AAN-410	E-1	15441-KTC-900A	E-6
12361-KTR-A00	E-1	15650-AAN-410	E-6

PART NO	BLOCK	PART NO	BLOCK
15650-AAN-410	E-6	17369-198-770	F-13
16010-AAN-410	E-11	17371-AAN-410	F-13
16012-AAN-410	E-11	17371-AAN-410	F-13
16013-AAN-410	E-11	17371-AAN-D00	F-13
16013-AAN-410	E-11	17371-AAN-D00	F-13
16015-AAN-410	E-11	17506-AAN-410	F-11
16015-AAN-410	E-11	17509-398-960	F-10A
16016-AAN-410	E-11	17509-398-960	F-10A
16028-AAN-410	E-11	17520-AAN-400R	F-11
16031-AAN-410	E-11	17520-AAN-400S	F-11
16037-AAN-410	E-11	17520-AAN-400T	F-11
16046-AAN-410	E-11	17520-AAN-400U	F-11
16050-AAN-410	E-11	17554-AAN-410	F-11
16076-AAN-410	E-11	17554-AAN-410	F-11
16100-AAN-F01	E-11	17555-AAN-410	F-11
16107-AAN-410	E-11	17555-AAN-410	F-11
16111-AAN-410	E-11	17611-KRM-860	F-11
16119-AAN-410	E-11	17611-KRM-860	F-11
16140-AAN-410	E-11	17613-KCC-900	F-11
16155-AAN-410	E-11	17613-KCC-900	F-11
16155-AAN-410	E-11	17620-AAT-000	F-22B
16163-AAN-410	E-11	17681-KTC-900	F-11
16165-AAN-410	E-11	17681-KTC-900	F-11
16199-AAN-410	E-11	17682-AAN-410	F-11
16211-AAN-410	E-11A	17682-AAN-410	F-11
16211-AAN-410	E-11A	17910-AAN-410	F-3B
16217-AAW-200	E-11A	17910-AAN-410	F-3B
16217-AAW-200	E-11A	17950-AAN-410	F-3B
16222-MV4-300	E-11A	17950-AAN-410	F-3B

16423-AAN-410	E-11	17951-AAN-410	F-3B
16423-AAN-410	E-11	17951-AAN-410	F-3B
16950-AAN-400099	F-11	18291-AAT-000	F-14
16950-AAN-400099	F-11	18291-AAT-000	F-14
16952-AAN-410	F-11	18293-KPK-900	F-14
16952-AAN-410	F-11	18293-KPK-900	F-14
16958-397-770	F-11	18340-AAN-410	F-14
17111-AAN-D00	E-11A	18340-AAN-410	F-14
17111-AAN-D00	E-11A	18345-KST-940	F-14
17199-AAN-410	F-11	18345-KST-940	F-14
17199-AAN-410	F-11	18345-MBT-610	F-14
17208-AAT-000	F-13	18345-MBT-610	F-14
17208-AAT-000	F-13	18350-AAN-410	F-14
17210-AAN-410	F-13	18351-AAN-410	F-14
17210-AAN-410	F-13	18351-AAN-410	F-14
17214-KWA-840	F-22A	18355-AAN-410	F-14
17214-KWA-840	F-22A	18355-AAN-410	F-14
17218-AAT-000	F-13	18421-438-670	F-15
17218-AAT-000	F-13	18421-438-670	F-15
17219-KTC-900	F-13	18442-KRC-900	F-14
17219-KTC-900	F-13	18442-KRC-900	F-14
17220-AAT-000	F-13	18651-KST-900	F-13
17220-AAT-000	F-13	19052-KV0-000	F-12
17221-KA4-300	F-14	19052-KV0-000	F-12
17221-KA4-300	F-14	22100-AAG-000	E-4
17227-ABA-000	F-13	22100-AAG-501	E-4A
17227-ABA-000	F-13	22115-KPG-T00	E-4
17230-AAN-410	F-11	22115-KPG-T00	E-4
17230-AAN-410	F-11	22115-KPG-T00	E-4A
17234-KCC-940	F-13	22115-KPG-T00	E-4A

17234-KCC-940	F-13	22116-KPG-T00	E-4
17251-AAN-410	F-13	22116-KPG-T00	E-4
17251-AAN-410	F-13	22116-KPG-T00	E-4A
17253-AAN-410	F-13	22116-KPG-T00	E-4A
17253-AAN-410	F-13	22120-KTC-900	E-4

PART NO	BLOCK	PART NO	BLOCK
22121-AAG-501	E-4A	24430-KPH-901	E-10
22201-KPG-T00	E-4	24435-KTC-900	E-10
22201-AAG-501	E-4A	24435-KTC-900	E-10
22205-KPG-T00	E-4	24610-KTR-940	E-10
22205-AAG-501	E-4A	24610-KTR-940	E-10
22321-KE8-000	E-4	24639-KPG-T00	E-10
22321-AAG-501	E-4A	24639-KPG-T00	E-10
22350-KPG-T00	E-4	24641-KTC-900	E-10
22350-AAG-501	E-4A	24641-KTC-900	E-10
22361-KPG-T00	E-4	24651-KTC-900	E-10
22361-AAG-501	E-4A	24651-KTC-900	E-10
22401-KPH-900	E-4	24652-KPH-900	E-10
22401-AAG-501	E-4A	24652-KPH-900	E-10
22810-KTC-900	E-4	24701-AAN-410	F-15A
22810-KTC-900	E-4	24701-AAN-410	F-15A
22810-KTC-900	E-4A	28110-KTC-921	E-9
22810-KTC-900	E-4A	28110-KTC-921	E-9
22815-166-000	E-4	28120-KTR-A00A	E-9
22815-166-000	E-4	28120-KTR-A00A	E-9
22815-166-000	E-4A	28131-KTC-920	E-9
22815-166-000	E-4A	28131-KTC-920	E-9
22821-AAN-410	E-3	28132-KPH-900	E-9
22821-AAN-410	E-3	28132-KPH-900	E-9
22822-AAN-410	E-3B	28133-KPH-900	E-9
22822-AAN-410	E-3B	28133-KPH-900	E-9
22847-KCC-900	E-4	28211-KTC-900	E-9
22847-KCC-900	E-4	28221-KTC-900	E-9
22847-KCC-900	E-4A	28221-KTC-900	E-9
22847-KCC-900	E-4A	28251-KTC-900	E-9

22870-AAN-410	F-3	28251-KTC-900	E-9
22870-AAN-410	F-3	28262-KTC-900	E-9
22871-116-670	F-3	28262-KTC-900	E-9
23123-KGH-900	E-8	28265-KPH-900	E-9
23123-KGH-900	E-8	28265-KPH-900	E-9
23125-KTC-901	E-7	28271-KPH-900	E-9
23211-KTR-940	E-8	28271-KPH-900	E-9
23221-KTR-940	E-8	28281-KPH-900	E-9
23221-KTR-940	E-8	28281-KPH-900	E-9
23415-KPH-900	E-8	28282-KPH-900	E-9
23415-KPH-900	E-8	28282-KPH-900	E-9
23421-KTC-900	E-8	28293-KAG-900	F-15A
23431-KPH-900	E-8	28302-KTR-840	F-15A
23441-KTC-901	E-8	28321-KTC-900	F-15A
23451-KTC-901	E-8	28333-124-000	F-15A
23461-KTC-901	E-8	30401-KTE-910	F-22
23471-KTC-902	E-8	30401-KTE-910	F-22
23471-KTC-902	E-8	30401-AAL-00099	F-22
23481-KTC-902	E-8	30410-AAN-411	F-22
23481-KTC-902	E-8	30410-AAN-411	F-22
23801-AAN-411	E-8	30460-AAM-000	F-22
23802-AAN-411	E-8	30460-AAM-000	F-22
24211-KTC-900	E-10	30500-AAN-H01	F-22
24211-KTC-900	E-10	30500-AAN-H01	F-22
24212-KTC-900	E-10	30700-KWA-831	F-22
24212-KTC-900	E-10	30700-KWA-831	F-22
24241-AAN-410	E-10	31100-AAN-411	E-5
24241-AAN-410	E-10	31110-AAN-411	E-5
24301-KTC-900	E-10	31110-AAN-411	E-5
24301-KTC-900	E-10	31120-AAN-411	E-5

24410-KTC-900	E-10	31120-AAN-411	E-5
24410-KTC-900	E-10	31200-KTC-921	E-5A
24421-KTC-900	E-10	31200-KTC-921	E-5A
24421-KTC-900	E-10	31201-KPT-A01	E-5A
24430-KPH-901	E-10	31204-KG8-004	E-5A

PART NO	BLOCK	PART NO	BLOCK
31205-KTC-921	E-5A	34901-KSP-910	F-1
31206-KPH-881	E-5A	34901-KSP-910	F-1
31207-MBE-008	E-5A	34901-KSP-910	F-1
31500-KVT-801	F-22A	34901-KSP-910	F-1
31500-KVT-801	F-22A	34908-AAB-401	F-19
31600-AAN-411	F-22	34908-AAB-401	F-19
31600-AAN-411	F-22	34908-AAB-401	F-20
31916-KPH-90099	E-1A	34908-AAB-401	F-20
31916-KPH-90099	E-1A	34920-AAK-201	F-1
32100-AAN-410	F-22	34920-AAK-201	F-1
32100-AAN-410	F-22	35010-AAN-411	F-22B
32102-KTR-A30	F-3B	35010-AAN-411	F-22B
32102-KTR-A30	F-3B	35100-AAN-601	F-22B
32108-GW6-700	F-22	35106-KTC-900	F-6A
32161-404-000	F-3B	35106-KTC-900	F-6A
32401-AAN-500	F-22	35121-AAN-411	F-22B
32401-AAN-500	F-22	35121-AAN-411	F-22B
32406-MAK-000	F-22	35122-AAN-411	F-22B
32410-AAN-410	F-22	35122-AAN-411	F-22B
32410-AAN-410	F-22	35150-AAF-041	F-3B
32411-253-000	F-22	35150-AAF-041	F-3B
32411-253-000	F-22	35200-AAN-411	F-3B
32417-KTR-A10	F-22	35330-413-003	F-3B
32601-AAN-410	E-5A	35330-413-003	F-3B
32961-KPH-900	E-5	35340-KCC-841	F-4
32961-KPH-900	E-5	35340-KCC-841	F-4
33108-KRY-900	F-1	35350-KTR-A00	F-22B
33112-KTN-921	F-1	35350-KTR-A00	F-22B
33120-AAN-401	F-1	35357-AAN-410	F-15A

33130-AAN-401	F-1	35357-AAN-410	F-15A
33401-AAR-001	F-19	35751-KPH-900	E-5A
33401-AAR-001	F-20	35751-KPH-900	E-5A
33402-AAS-001	F-19	35752-KRM-840	E-5A
33402-AAS-001	F-20	35752-KRM-840	E-5A
33405-AAN-40099	F-19	35759-KTR-A01	E-5A
33408-AAR-001	F-19	35759-KTR-A01	E-5A
33408-AAR-001	F-20	35850-KR3-870	F-22B
33451-AAR-001	F-19	35850-KR3-870	F-22B
33451-AAR-001	F-20	35856-KBG-007	F-22B
33452-AAS-001	F-19	35856-KBG-007	F-22B
33452-AAS-001	F-20	37100-AAN-F01	F-2
33455-AAN-40099	F-19	37110-AAN-F01	F-2
33605-AAN-40099	F-20	37111-AAN-421	F-2
33619-459-840A	F-14	37112-AAN-411	F-2
33619-459-840A	F-14	37203-AAN-411	F-2
33655-AAN-40099	F-20	37243-323-000	F-15
33700-AAN-40099	F-21	37243-323-000	F-15
33700-AAN-40099	F-21	37800-AAN-410099	F-11
33706-ABA-000	F-1	37800-AAN-410099	F-11
33714-KL3-620	F-23B	38110-AAN-601	F-23B
33714-KL3-620	F-23B	38117-KFE-701	F-23B
33725-AAN-D01	F-18	38117-KFE-701	F-23B
33726-AAN-D01	F-18	38502-KSP-910	F-22B
33729-AAN-401	F-18	38502-KSP-910	F-22B
33741-KRY-861	F-5	38506-KSP-910	F-22B
33741-KRY-861	F-5	38506-KSP-910	F-22B
33741-KST-920	F-18	40510-AAN-410	F-16A
33741-KST-920	F-18	40510-AAN-410	F-16A
33941-AAR-001	F-19	40520-AAN-410	F-16A

33941-AAR-001	F-20	40524-ABA-000	F-16A
33946-AAR-001	F-19	40530-KCC-900	F-16
33946-AAR-001	F-20	40530-KCC-900	F-16
34351-AAB-401	F-18	40531-205-010	F-16
34351-AAB-401	F-18	40543-KTR-900	F-9

PART NO	BLOCK	PART NO	BLOCK
40543-KTR-900	F-9	44830-AAN-410	F-2A
40545-ABA-000	F-16A	44830-AAN-410	F-2A
40545-ABA-000	F-16A	44830-KWA-830A	F-2A
40546-KPG-T00	F-9	45107-KCC-841	F-4A
40546-KPG-T00	F-9	45108-KCC-841	F-4A
40546-KTR-900	F-9	45125-AAH-F0099	F-8
40546-KTR-900	F-9	45125-AAH-F0099	F-8
41201-AAJ-H00	F-9	45126-KCC-840	F-4
41201-AAJ-H00	F-9	45126-KCC-840	F-4
41241-AAN-410	F-9	45132-KCC-841	F-4A
41241-AAN-410	F-9	45133-KCC-841	F-4A
42301-KTR-700	F-9	45133-KCC-900	F-8
42301-KTR-700	F-9	45133-KCC-900	F-8
42303-KTR-900	F-9	45134-250-000	F-8
42303-KTR-900	F-9	45134-250-000	F-8
42304-KTC-900	F-9	45145-KFM-900	F-8
42304-KTC-900	F-9	45145-KFM-900	F-8
42313-198-900	F-9	45155-AAN-420	F-4
42313-198-900	F-9	45155-AAN-420	F-4
42601-AAN-411	F-9	45156-KCC-840	F-6A
42601-AAN-411	F-9	45156-KCC-840	F-6A
42611-KTC-900	F-9	45220-KCC-841	F-4A
42611-KTC-900	F-9	45250-KCC-841	F-4A
42615-198-900	F-9	45250-KCC-841	F-4A
42615-198-900	F-9	45251-KSP-861	F-7
42620-KTR-700	F-9	45251-KSP-861	F-7
42620-KTR-700	F-9	45290-KCC-841	F-4A
42711-AAN-41099	F-9	45290-KCC-841	F-4A
42711-AAN-41099	F-9	45352-KCC-841	F-4A

42753-KWF-90099	F-7	45353-KCC-841	F-4A
42753-KWF-90099	F-9	45451-ABA-000	F-5
43100-KTR-700	F-8	45451-ABA-000	F-5
43100-KTR-700	F-8	45504-KCC-841	F-4
43141-KTC-900	F-8	45506-KCC-841	F-4
43141-KTC-900	F-8	45510-KVN-901	F-4
43216-MAK-003	F-4A	45510-KVN-901	F-4
43410-KCT-690	F-8	45513-KCC-841	F-4
43410-KCT-690	F-8	45515-KVN-901	F-4
43431-AAN-410	F-17A	45516-KCC-841	F-4
43431-AAN-410	F-17A	45518-KCC-841	F-4
43434-286-000	F-8	45519-KCC-841	F-4
43434-286-000	F-8	45520-KCC-841	F-4
43451-AAN-410	F-15A	45521-KCC-841	F-4
43451-AAN-410	F-15A	45522-KCC-841	F-4
44301-KTR-700	F-7	45525-KCC-841	F-4
44301-KTR-700	F-7	45526-KCC-841	F-4
44311-KRC-900	F-7	45530-KCC-841	F-4
44311-KRC-900	F-7	46500-AAN-410	F-15A
44601-AAN-421	F-7	46500-AAN-410	F-15A
44601-AAN-421	F-7	46514-KCC-900	F-8
44620-400-000	F-7	46514-KCC-900	F-8
44620-400-000	F-7	46515-KB9-000	F-8
44680-410-000	F-7	46515-KB9-000	F-8
44680-410-000	F-7	50100-AAN-410	F-23
44711-AAN-41099	F-7	50100-AAN-410	F-23
44711-AAN-41099	F-7	50137-AAR-000	F-23
44800-KVE-901	F-2A	50137-AAR-000	F-23
44800-KVE-901	F-2A	50160-AAN-410	F-15
44804-KVE-901	F-2A	50160-AAN-410	F-15

44805-KVE-901	F-2A	50186-AAN-410	F-18
44809-170-000	F-2A	50186-AAN-410	F-18
44809-170-000	F-2A	50225-KTR-900	F-23
44810-KTC-900	F-2A	50225-KTR-900	F-23
44810-KTC-900	F-2A	50250-AAN-410	F-23

PART NO	BLOCK	PART NO	BLOCK
50250-AAN-410	F-23	50718-KCC-900	F-15
50251-AAN-410	F-23	50803-AAN-410	F-26
50251-AAN-410	F-23	50803-AAN-410	F-26
50261-AAN-F00R	F-12	51103-AAN-410	F-26A
50261-AAN-F00S	F-12	51106-KCC-900	F-26A
50261-AAN-F00T	F-12	51106-KCC-900	F-26B
50261-AAN-F00U	F-12	51400-KTR-A11	F-6
50265-AAN-410	F-12	51400-KTR-A11	F-6
50265-AAN-410	F-12	51401-KST-941	F-6
50271-AAN-F00R	F-12	51403-447-730	F-6
50271-AAN-F00S	F-12	51403-KCC-900	F-6
50271-AAN-F00T	F-12	51410-KWA-941	F-6
50271-AAN-F00U	F-12	51412-KAG-900	F-6
50275-AAN-410	F-12	51412-KWA-941	F-6
50275-AAN-410	F-12	51420-KTR-A11	F-6
50301-KTR-900	F-6B	51425-KST-901	F-6
50301-KTR-900	F-6B	51425-KST-901	F-6
50350-AAN-410	F-23	51432-KST-901	F-6
50350-AAN-410	F-23	51437-KVN-901	F-6
50400-AAN-410W	F-23A	51440-KTR-901	F-6
50400-AAN-410W	F-23A	51500-KTR-A11	F-6
50400-AAN-410X	F-23A	51500-KTR-A11	F-6
50400-AAN-410Y	F-23A	51520-KTR-A11	F-6
50400-AAN-410R	F-23A	52101-AAN-410	F-17A
50500-KTR-A00	F-16A	52101-AAN-410	F-17A
50500-KTR-A00	F-16A	52106-AAN-410	F-26B
50505-KCC-900	F-14	52106-AAN-410	F-26B
50505-KCC-900	F-14	52110-AAN-410	F-17A
50507-AAB-400	F-16A	52110-AAN-410	F-17A

50507-AAB-400	F-16A	52147-KTC-900	F-17A
50508-AAB-400	F-16A	52147-KTC-900	F-17A
50508-AAB-400	F-16A	52170-KTR-900	F-17A
50509-AAB-400	F-16A	52170-KTR-900	F-17A
50509-AAB-400	F-16A	52400-KTR-841	F-17
50512-KTC-900	F-16A	52400-KTR-841	F-17
50512-KTC-900	F-16A	52410-KTR-901	F-17
50524-001-000	F-10	52486-056-000	F-17
50524-001-000	F-10	52486-KAG-900	F-17
50603-AAN-410	F-15	52489-399-600	F-17
50603-AAN-410	F-15	52495-098-000	F-17
50603-KB4-000	F-15	53100-AAN-410	F-3C
50614-413-000	F-15	53100-AAN-410	F-3C
50614-413-000	F-15	53105-KRC-900	F-3C
50618-KCC-000	F-15	53105-KRC-900	F-3C
50619-KCC-000	F-15	53131-KTR-A20	F-3C
50620-KTC-900	F-15	53132-KZN-900	F-3C
50620-KTC-900	F-15	53132-KZN-900	F-3C
50621-KTC-900	F-15	53132-124-000	F-6A
50621-KTC-900	F-15	53132-124-000	F-6A
50661-425-670	F-15	53133-198-900	F-6A
50661-425-670	F-15	53133-198-900	F-6A
50701-AAN-410	F-15	53134-028-000	F-6A
50701-AAN-410	F-15	53134-028-000	F-6A
50702-AAN-410	F-15	53135-198-900	F-6A
50702-AAN-410	F-15	53135-198-900	F-6A
50710-461-770	F-15	53136-198-900	F-6A
50710-461-770	F-15	53136-198-900	F-6A
50712-438-730	F-15	53140-KTR-A20	F-3B
50712-438-730	F-15	53140-KTR-A20	F-3B

50713-438-730	F-15	53166-KTR-A20	F-3B
50713-438-730	F-15	53166-KTR-A20	F-3B
50715-KCC-900	F-15	53172-KTC-920	F-3B
50715-KCC-900	F-15	53172-KTC-920	F-3B
50718-KCC-900	F-15	53175-KSP-900	F-4

PART NO	BLOCK	PART NO	BLOCK
53175-KSP-900	F-4	77204-KCC-900	F-10
53178-AAF-H00	F-3B	77204-KCC-900	F-10
53178-AAF-H00	F-3B	77206-KCC-900	F-10
53179-KTC-900	F-3	77206-KCC-900	F-10
53179-KTC-900	F-3	77206-KTR-900	F-10
53200-AAN-410	F-6B	77206-KTR-900	F-10
53211-268-010	F-6B	77209-KAG-900	F-21
53211-268-010	F-6B	77209-KAG-900	F-21
53212-200-000	F-6B	77220-KY6-000	F-10
53212-200-000	F-6B	77220-KY6-000	F-10
53214-200-000	F-6B	77235-AAN-410	F-21
53214-200-000	F-6B	77235-AAN-410	F-21
53215-KTR-900	F-6B	77237-AAN-400R	F-10A
53215-KTR-900	F-6B	77237-AAN-400S	F-10A
53221-KTR-900	F-6B	77237-AAN-400T	F-10A
53221-KTR-900	F-6B	77237-AAN-400U	F-10A
53222-KTR-900	F-6B	77240-AAN-400R	F-10A
53222-KTR-900	F-6B	77240-AAN-400S	F-10A
53230-KTR-940	F-6A	77240-AAN-400T	F-10A
53230-KTR-940	F-6A	77240-AAN-400U	F-10A
53252-AAN-410	F-1A	77250-AAN-400R	F-10A
53252-AAN-410	F-1A	77250-AAN-400S	F-10A
61102-AAN-410	F-5	77250-AAN-400T	F-10A
61102-AAN-410	F-5	77250-AAN-400U	F-10A
61103-KVE-860	F-1A	77266-AAN-410	F-10A
61103-KVE-860	F-1A	77266-AAN-410	F-10A
61103-KTR-940	F-5	77267-KTR-900	F-1A
61103-KTR-940	F-5	77267-KTR-900	F-1A
61104-428-000	F-1A	77267-KTR-900	F-10A

61104-428-000	F-1A	77267-KTR-900	F-10A
61104-KTR-940	F-5	77267-KTR-900	F-11
61104-KTR-940	F-5	77267-KTR-900	F-11
61105-AAN-400R	F-5	77267-KTR-900	F-12
61105-AAN-400U	F-5	77267-KTR-900	F-12
61105-KTC-900	F-5	80100-AAN-410	F-18
61105-KTC-900	F-5	80100-AAN-410	F-18
61300-AAN-400R	F-1A	80101-443-000	F-1A
61300-AAN-400S	F-1A	80101-443-000	F-1A
61300-AAN-400T	F-1A	80102-AAN-410	F-18
61300-AAN-400U	F-1A	80102-AAN-410	F-18
61311-AAN-410	F-1A	80111-KVN-900	F-1A
61311-AAN-410	F-1A	80111-KVN-900	F-1A
61312-AAN-410	F-1A	80111-KVN-900	F-18
61312-AAN-410	F-1A	80111-KVN-900	F-18
61312-149-300	F-12	80201-AAN-410	F-18
61312-149-300	F-12	80201-AAN-410	F-18
61313-AAN-410	F-1A	80350-ABA-000	F-26B
61313-AAN-410	F-1A	80350-ABA-000	F-26B
64140-AAN-410	F-1A	83402-AAN-410	F-1A
64310-198-D20A	F-26B	83402-AAN-410	F-1A
64310-198-D20A	F-26B	83407-KWA-830	F-11
64315-AAN-410	F-1A	83407-KWA-830	F-11
64315-AAN-410	F-1A	83407-KTR-940	F-13
77110-AAC-H00	F-22B	83407-KTR-940	F-13
77156-AAN-410	F-10	83407-KTR-940	F-22A
77156-AAN-410	F-10	83407-KTR-940	F-22A
77160-AAN-410	F-10	83500-AAN-400R	F-12
77160-AAN-410	F-10	83500-AAN-400S	F-12
77200-AAN-410	F-10	83500-AAN-400T	F-12

77200-AAN-410	F-10	83500-AAN-400U	F-12
77202-KCC-900	F-10A	83502-KCC-900	F-26B
77202-KCC-900	F-10A	83502-KCC-900	F-26B
77202-KCC-900	F-18	83505-AAN-400R	F-12
77202-KCC-900	F-18	83505-AAN-400S	F-12

PART NO	BLOCK	PART NO	BLOCK
83505-AAN-400T	F-12	86831-AAN-400S	F-25
83505-AAN-400U	F-12	86831-AAN-400T	F-25
83545-KVN-900	F-12	86832-AAN-400R	F-25
83545-KVN-900	F-12	86832-AAN-400S	F-25
83551-300-000	F-11	86832-AAN-400T	F-25
83551-300-000	F-11	86833-AAN-400R	F-25
83600-AAN-400R	F-12	86833-AAN-400S	F-25
83600-AAN-400S	F-12	86833-AAN-400T	F-25
83600-AAN-400T	F-12	86834-AAN-400R	F-25
83600-AAN-400U	F-12	86834-AAN-400S	F-25
83605-AAN-400R	F-12	86834-AAN-400T	F-25
83605-AAN-400S	F-12	87117-AAN-400R	F-25
83605-AAN-400T	F-12	87117-AAN-400S	F-25
83605-AAN-400U	F-12	87117-AAN-400T	F-25
84701-KCC-860	F-18	87507-AAN-410	F-27
84701-KCC-860	F-18	87509-AAP-000	F-13
84701-P26-D00A	F-26B	87522-MAB-600	F-27
86173-AAN-400R	F-25	87560-AAN-410	F-27
86173-AAN-400S	F-25	88110-AAN-410R	F-3A
86173-AAN-400T	F-25	88110-AAN-410U	F-3A
86173-AAN-400U	F-25	88114-198-D10	F-3A
86174-AAN-400R	F-25	88114-198-D10	F-3A
86174-AAN-400S	F-25	88115-KTR-900	F-3A
86174-AAN-400T	F-25	88115-KTR-900	F-3A
86174-AAN-400U	F-25	88120-AAN-410R	F-3A
86673-AAN-400R	F-25	88120-AAN-410U	F-3A
86673-AAN-400S	F-25	89102-AAC-000	F-24
86673-AAN-400T	F-25	89102-KTC-900	F-24
86673-AAN-400U	F-25	89216-AAD-H00	F-24

86674-AAN-400R	F-25	89216-KTC-900	F-24
86674-AAN-400S	F-25	90001-KTC-900	E-3B
86674-AAN-400T	F-25	90001-KTC-900	E-3B
86674-AAN-400U	F-25	90003-MY5-720	F-3A
86751-AAN-400R	F-25	90003-MY5-720	F-3A
86751-AAN-400S	F-25	90005-KY7-000	E-2
86751-AAN-400T	F-25	90005-KY7-000	E-2
86751-AAN-400U	F-25	90012-333-000R	E-1C
86752-AAN-400R	F-25	90012-333-000R	E-1C
86752-AAN-400S	F-25	90019-399-010	F-23
86752-AAN-400T	F-25	90019-399-010	F-23
86752-AAN-400U	F-25	90022-MG8-000	E-10
86753-AAN-F00R	F-25	90022-MG8-000	E-10
86753-AAN-F00U	F-25	90031-KTC-900	E-3B
86754-AAN-F00R	F-25	90031-KTC-900	E-3B
86754-AAN-F00U	F-25	90033-KTC-900	E-3B
86771-AAN-400R	F-25	90033-KTC-900	E-3B
86771-AAN-400S	F-25	90050-KPH-900	E-4
86771-AAN-400T	F-25	90050-KFL-850	E-4A
86771-AAN-400U	F-25	90071-MB0-000	E-5A
86772-AAN-400R	F-25	90083-KVH-900	E-2
86772-AAN-400S	F-25	90084-KTC-A20	E-3A
86772-AAN-400T	F-25	90084-KTC-A20	E-3A
86772-AAN-400U	F-25	90085-KTC-920	E-5
86776-AAN-400R	F-25	90085-KTC-920	E-5
86776-AAN-400S	F-25	90101-087-720	F-10
86781-AAN-400R	F-25	90101-GE0-000	F-10A
86781-AAN-400S	F-25	90101-KTR-900	F-14
86781-AAN-400T	F-25	90101-KTR-900	F-14
86781-AAN-400U	F-25	90101-ABA-000	F-22A

86782-AAN-400R	F-25	90102-GB2-720	F-1A
86782-AAN-400S	F-25	90102-KVN-900	F-3C
86782-AAN-400T	F-25	90102-KVN-900	F-3C
86782-AAN-400U	F-25	90105-MK5-010	F-7
86831-AAN-400R	F-25	90105-MK5-010	F-7

PART NO	BLOCK	PART NO	BLOCK
90105-KVN-900	F-12	90306-KST-942	F-9
90107-KAN-900	F-14	90306-KST-942	F-9
90107-KAN-900	F-14	90306-KTE-911	F-9
90107-KST-940	F-14	90306-KTE-911	F-9
90107-KST-940	F-14	90306-KF0-000	F-17A
90107-GZ4-670	F-22B	90306-KF0-000	F-17A
90109-SB6-000	F-1A	90306-KST-942	F-17A
90109-SB6-000	F-1A	90306-KST-942	F-17A
90109-SB6-000	F-12	90306-KTE-911	F-17A
90109-SB6-000	F-12	90306-KTE-911	F-17A
90111-187-000	F-13	90306-KVT-941	F-22A
90111-187-000	F-13	90307-001-000	F-9
90111-ABA-000	F-16A	90307-001-000	F-9
90111-187-000	F-18	90308-KWA-940	F-9
90111-187-000	F-18	90311-MT3-000	F-13
90111-MR5-000	F-22	90320-GC3-000	F-1A
90111-KPL-900	F-26B	90320-GC3-000	F-10A
90111-KPL-900	F-26B	90320-GC3-000	F-18
90112-KCC-841	F-4	90320-GC3-000	F-26B
90114-310-000	F-3B	90324-KCC-900	F-11
90114-310-000	F-3B	90324-KCC-900	F-11
90114-KCC-841	F-4	90325-KCC-900	F-11
90114-KCC-841	F-4	90325-KCC-900	F-11
90116-KAG-900	F-6	90380-AAR-001	F-19
90122-KVT-941	F-22A	90380-AAR-001	F-20
90123-KRM-860	F-6	90403-KPH-900	E-4
90123-KRM-860	F-6	90403-AAG-501	E-4A
90123-KST-941	F-6	90407-259-000	E-3B
90133-331-770	F-17A	90407-259-000	E-3B

90133-331-770	F-17A	90412-187-000	E-8
90145-MS9-610	F-4	90412-187-000	E-8
90145-MS9-610	F-4	90412-KPH-900	E-8
90155-KY4-900	F-4A	90412-KPH-900	E-8
90155-KY4-900	F-4A	90432-086-000	E-6
90183-KTC-900	F-17A	90432-086-000	E-6
90183-KTC-900	F-17A	90435-HB3-000	E-10
90201-MW3-620	F-3A	90435-HB3-000	E-10
90201-MW3-620	F-3A	90439-SB2-010	E-5
90206-001-000	E-1C	90439-SB2-010	E-5
90206-001-000	E-1C	90441-286-000	E-1A
90231-KM7-700	E-4	90441-286-000	E-1A
90231-KM7-700	E-4	90441-ME9-000	E-1A
90231-KM7-700	E-4A	90441-ME9-000	E-1A
90231-KM7-700	E-4A	90441-KRM-840	E-3B
90231-087-010	E-6	90441-KRM-840	E-3B
90231-087-010	E-6	90443-107-000	E-1A
90301-473-000	F-8	90443-107-000	E-1A
90301-473-000	F-8	90452-KGH-900	E-8
90302-KTE-911	F-5	90452-KGH-900	E-8
90302-KTE-911	F-5	90452-KPH-900	E-9
90303-KCC-841	F-4	90452-KPH-900	E-9
90303-KCC-841	F-4	90454-KPH-900	E-9
90304-AAH-F00	F-6A	90454-KPH-900	E-9
90304-KSP-900	F-6A	90461-GB4-770	E-8
90304-KSP-900	F-6A	90461-GB4-770	E-8
90304-KPH-900	F-14	90461-KTC-900	E-8
90306-KF0-000	F-7	90461-KTC-900	E-8
90306-KF0-000	F-7	90501-GBL-730	E-4
90306-KST-942	F-7	90501-GBL-730	E-4

90306-KST-942	F-7	90501-GBL-730	E-4A
90306-KTE-911	F-7	90501-GBL-730	E-4A
90306-KTE-911	F-7	90502-198-900	F-8
90306-KF0-000	F-9	90502-198-900	F-8
90306-KF0-000	F-9	90503-KTR-900	F-6A

PART NO	BLOCK	PART NO	BLOCK
90503-KTR-900	F-6A	91301-KTC-900	E-6
90505-425-000	F-8	91301-KCC-770	E-11A
90505-425-000	F-8	91301-KCC-770	E-11A
90521-292-000	F-6	91303-377-000	E-3A
90521-292-000	F-6	91303-377-000	E-3A
90544-439-930	F-6	91303-719-000	E-4
90545-300-000	F-4	91303-719-000	E-4
90545-300-000	F-4	91303-719-000	E-4A
90551-178-000	F-17	91303-719-000	E-4A
90551-178-000	F-17	91304-704-000	F-9
90558-KTR-900	F-9	91304-704-000	F-9
90558-KTR-900	F-9	91305-028-150	E-1A
90559-KTR-900	F-9	91305-KPH-900	E-5A
90559-KTR-900	F-9	91305-KPH-900	E-5A
90563-355-000	F-1A	91305-MC7-000	F-11
90563-355-000	F-21	91305-MC7-000	F-11
90601-001-000	E-8	91306-MG3-000	E-2
90601-001-000	E-8	91306-MG3-000	E-2
90601-GF5-730	F-6	91307-035-000	E-6
90601-GF5-730	F-6	91307-035-000	E-6
90605-200-000	E-8	91309-425-003	E-5A
90605-200-000	E-8	91320-MB0-000	E-5A
90605-200-000	E-9	91352-GAZ-930	F-2A
90605-200-000	E-9	91356-KAG-900	F-6
90651-KCC-841	F-4	91372-KPH-900	E-1
90702-GB6-910	E-1C	91372-KPH-900	E-1
90702-GB6-910	E-1C	91406-KFN-850	F-13
90702-GB6-910	E-3	91455-MG8-000	F-3C
90702-GB6-910	E-3	91455-MG8-000	F-3C

90702-GB6-910	E-3A	91509-GE2-760	F-1A
90702-GB6-910	E-3A	91509-GE2-760	F-10A
90702-GB6-910	E-6	91540-AAN-410	F-22
90702-GB6-910	E-6	92000-06016-0A	F-15
90741-KFB-000	E-7	92000-06016-0A	F-15
90741-KFB-000	E-7	92000-06012-0A	F-26B
90741-KGH-900	E-7	92101-06020-0A	F-15A
90741-KGH-900	E-7	92101-08032-0A	F-15A
90753-029-000	F-9	92800-12000-00	E-3B
90753-029-000	F-9	92800-12000-00	E-3B
90755-229-000	F-7	92811-10000	F-8
90755-229-000	F-7	92811-10000	F-8
91001-KTC-900	E-3B	92900-08028-0E	E-1A
91001-KTC-900	E-3B	92900-08028-0E	E-1A
91002-KTC-901	E-7	93404-06012-00	F-1A
91002-KTC-901	E-7	93404-06012-00	F-1A
91007-KPH-901	E-3	93500-04008-1H	E-11
91007-KPH-901	E-3	93500-04012-1H	E-11
91071-KTC-900	E-9	93500-05014-1H	E-11
91071-KTC-900	E-9	93500-05020-0G	F-3B
91204-MC7-003	E-3	93500-05020-0G	F-3B
91204-MC7-003	E-3	93500-05022-1G	F-3B
91204-KPH-901	E-3B	93500-05022-1G	F-3B
91204-KPH-901	E-3B	93500-04025-0G	F-13
91208-KPH-901	E-3B	93500-04025-0G	F-13
91208-KPH-901	E-3B	93500-05010-1G	F-26B
91251-KPH-901	F-7	93891-05030-07	E-11A
91251-KPH-901	F-7	93893-05025-00	F-13
91255-KWA-941	F-6	93893-05025-00	F-13
91255-KWA-941	F-6	93901-22010	F-2

91258-KEJ-900	F-7	93901-32220	F-3B
91258-KEJ-900	F-7	93901-AAR-001	F-19
91301-AAN-410	E-1	93901-AAR-001	F-20
91301-AAN-410	E-1	93903-35380	F-1
91301-KTC-900	E-6	93903-34380	F-1A

PART NO	BLOCK	PART NO	BLOCK
93903-34380	F-1A	94103-10000	F-14
93903-34120	F-2	94103-05800	F-15A
93903-22480	F-2	94111-10000	F-17A
93903-34380	F-10A	94111-10000	F-17A
93903-34380	F-10A	94201-20150	F-8
93903-24380	F-12	94201-20150	F-8
93903-24380	F-12	94201-16150	F-15
93903-35380	F-18	94201-16150	F-15
93903-35380	F-21	94201-20150	F-15A
93913-AAW-001	F-21	94201-20150	F-15A
94001-06070-0S	F-2	94201-30250	F-16A
94001-05070-0S	F-3B	94201-30250	F-16A
94001-08000-0S	F-8	94201-20150	F-17A
94001-08000-0S	F-8	94201-20150	F-17A
94001-06000-0S	F-9	94301-10120	E-1B
94001-06000-0S	F-9	94301-10120	E-1B
94001-08000-0S	F-17A	94301-10120	E-3B
94001-08000-0S	F-17A	94301-10120	E-3B
94001-06000-0S	F-18	94303-03050	E-7
94001-06000-0S	F-18	94591-27000	F-10A
94002-08000-0S	F-3	94591-27000	F-10A
94002-10070-0S	F-3B	95002-AAN-410	E-11
94002-06000-0S	F-3B	95002-02080	F-11
94002-10000-0S	F-17	95002-02100	F-11
94002-06000-0S	F-18	95002-02100	F-11
94030-08000	F-23	95002-02080	F-11
94030-08000	F-23	95002-80000	F-13
94050-12000	E-5	95002-02130	F-13
94050-12000	E-5	95005-AAN-410	E-11

94050-06000	F-3B	95005-AAN-410	E-11
94050-06000	F-3B	95011-51000	F-15A
94050-06000	F-11	95014-73100	F-8
94050-06000	F-11	95014-73100	F-8
94050-08000	F-14	95015-32001	F-8
94050-08000	F-14	95015-32001	F-8
94050-10000	F-14	95015-42000	F-8
94050-10000	F-14	95015-42000	F-8
94050-10000	F-17	95018-50250	F-13
94050-10000	F-17	95701-06012-00	E-1C
94050-08000	F-19	95701-06012-00	E-1C
94050-08000	F-19	95701-06016-00	E-3B
94050-08000	F-20	95701-06016-00	E-3B
94050-08000	F-20	95701-06025-00	E-5A
94050-06000	F-21	95701-06016-00	E-5A
94050-06000	F-21	95701-06016-00	E-5A
94050-06000	F-23	95701-06035-00	E-6
94050-06000	F-23	95701-06035-00	E-6
94050-08000	F-23	95701-06020-07	F-1A
94050-08000	F-23	95701-06020-07	F-1A
94050-10000	F-23	95701-06022-00	F-1A
94050-10000	F-23	95701-06022-00	F-1A
94101-06000	F-15	95701-06020-00	F-5
94101-06000	F-15	95701-06020-00	F-5
94101-08000	F-15	95701-08040-00	F-6B
94101-08000	F-15	95701-08040-00	F-6B
94101-12000	F-17	95701-06035-00	F-8
94101-12000	F-17	95701-06035-00	F-8
94101-08000	F-17A	95701-06012-00	F-10
94101-08000	F-17A	95701-06012-00	F-10

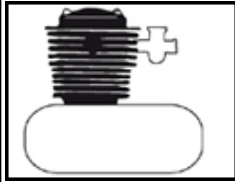
94101-05000	F-26B	95701-06025-07	F-10A
94101-06000	F-26B	95701-06025-07	F-10A
94101-06000	F-26B	95701-06022-00	F-10A
94103-06700	F-2	95701-06022-00	F-10A
94103-10000	F-14	95701-06012-00	F-11

PART NO	BLOCK	PART NO	BLOCK
95701-06012-00	F-11	96001-06010-00	F-23
95701-08035-00	F-11	96100-60010-00	E-3B
95701-08035-00	F-11	96100-60010-00	E-3B
95701-08016-00	F-14	96100-62010-00	E-3B
95701-08016-00	F-14	96100-62010-00	E-3B
95701-10045-07	F-15	96100-62030-00	E-3B
95701-10045-07	F-15	96100-62030-00	E-3B
95701-06012-00	F-18	96100-62000-00	E-4
95701-06012-00	F-18	96100-62000-00	E-4
95701-06020-00	F-18	96100-62000-00	E-4A
95701-06020-00	F-18	96100-62000-00	E-4A
95701-06016-00	F-22	96140-63010-10	F-9
95701-06016-00	F-22	96140-63010-10	F-9
95701-06020-00	F-22	96150-63010-10	F-7
95701-06020-00	F-22	96150-63010-10	F-7
95701-06012-00	F-23	96150-62030-10	F-9
95701-06012-00	F-23	96150-62030-10	F-9
95701-08022-08	F-23A	96211-08000	E-7
95701-08022-08	F-23A	96211-08000	E-7
95701-06020-00	F-23B	96211-08000	F-15A
95701-06020-00	F-23B	96211-08000	F-15A
95701-08016-00	F-26	96220-30085	E-10
95701-08016-00	F-26	96220-30085	E-10
95701-08016-00	F-26A	96600-08025-00	F-22B
95701-08016-00	F-26A	96700-06018-00	E-10
95701-08030-07	F-26A	96700-06018-00	E-10
95701-08030-07	F-26A	98200-31000	F-22
95701-08016-07	F-26B	98200-31000	F-22
95701-08016-07	F-26B	98200-31500	F-22

95801-10055-00	F-14	98200-31500	F-22
95801-10055-00	F-14	98200-32000	F-22B
95801-08035-00	F-15	98200-32000	F-22B
95801-08035-00	F-15	99001-14170	F-24
95801-10035-00	F-17	99007-45000	F-24
95801-08075-00	F-23	99101-AAN-410	E-11
95801-08075-00	F-23	99101-AAN-410	E-11
95801-10075-08	F-23	99103-AAN-410	E-11
95801-10095-00	F-23	99103-AAN-410	E-11
95801-10095-00	F-23		
95801-10040-07	F-26B		
96001-06020-00	E-1		
96001-06095-00	E-1A		
96001-06095-00	E-1A		
96001-06012-00	E-2		
96001-06012-00	E-2		
96001-06022-00	E-2		
96001-06022-00	E-2		
96001-06040-00	E-3		
96001-06040-00	E-3		
96001-06025-00	E-3A		
96001-06028-00	E-3A		
96001-06035-00	E-3A		
96001-06035-00	E-3A		
96001-06055-00	E-3B		
96001-06055-00	E-3B		
96001-06060-00	E-3B		
96001-06016-00	E-5		
96001-06020-00	E-5		
96001-06025-00	E-5		

96001-06010-07	E-8	
96001-06025-00	E-11A	
96001-06025-07	F-3B	
96001-06025-07	F-3B	
96001-06010-00	F-22	

BLOCK INDEX - GROUP Engine - Ignitor 125 (May, 2017).



E-1

COVER CYLINDER HEAD

2



E-1A

CYLINDER HEAD/SPARK, PLUG

4



E-1B

CYLINDER /CYLINDER HEAD

6



E-1C

CYLINDER /CYLINDER HEAD/CAM SHAFT/VALVE

8



E-2

CAM CHAIN TENSIONER

11



E-3

RIGHT CRANK CASE COVER

14



E-3A

LEFT CRANK CASE COVER

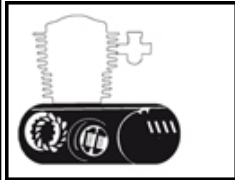
16



E-3B

CRANK CASE

18



E-4

CLUTCH ASSY.

22



E-4A

CLUTCH

25



E-5

A.C.GEN. ASSY. /STARTING CLUTCH (ELEC.)

28



E-5A

STARTER MOTOR ASSY. (ELEC.)

30



E-6

OIL PUMP

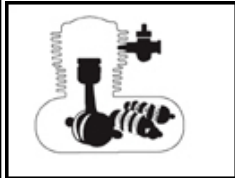
33



E-7

CRANK SHAFT/PISTON

36



E-8

TRANSMISSION/GEAR BOX

43



E-9

KICK STARTER

46



E-10

GEAR SHIFT

49



E-11

CARBURETTOR ASSY.

52









E-11A

INLET PIPE

55

BLOCK INDEX - GROUP Frame - Ignitor 125 (May, 2017).

	 F-1	HEAD LIGHT ASSY.	57	
	 F-1A	FRONT COVER	59	
	 F-2	SPEEDOMETER ASSY.	62	
	 F-2A	SPEEDOMETER GEAR /SPEEDOMETER CABLE	64	
	 F-3	CONTROL CABLE	66	
	 F-3A	MIRROR ASSY.	68	
	 F-3B	HANDLE LEVER/SWITCH	70	
	 F-3C	HANDLE PIPE/TOP BRIDGE	73	
	 F-4	FRONT DISC BRAKE ASSY. (MASTER CYL.)	75	
	 F-4A	FRONT DISC BRAKE (CALIPER ASSY.)	78	
	 F-5	FRONT FENDER	80	
	 F-6	FRONT FORK ASSY.	82	
		 F-6A	TOP BRIDGE	85
 F-6B		STEERING STEM	88	
 F-7		FRONT WHEEL	90	
 F-8		REAR BRAKE PANEL	93	
 F-9		REAR WHEEL	96	
 F-10		SEAT ASSY. DOUBLE	100	
 F-10A		BODY COVER	103	
 F-11		FUEL TANK	106	
		 F-12	SIDE COVER AND FUEL TANK SHROUD	110
		 F-13	AIR CLEANER	113
		 F-14	MUFFLER	116
	 F-15	STEP ASSY.	119	
	 F-15A	PEDAL GEAR CHANGE/KICK STARTER /PEDAL BRAKE	123	

BLOCK INDEX - GROUP Frame - Ignitor 125 (May, 2017).



F-16
F-16A
F-17
F-17A
F-18
F-19
F-20

CHAIN DRIVE
CHAIN CASE AND STAND
REAR CUSHION
SWINGARM ASSY.
REAR FENDER
FR WINKER
RR WINKER

126
128
131
133
136
139
141



F-21
F-22
F-22A
F-22B
F-23
F-23A
F-23B

TAIL LIGHT
WIRE HARNESS
BATTERY ASSY.
SWITCH ASSY ./RELAY / LOCK ASSY./ KEY BLANK
FRAME BODY
GRIP REAR
HORN

143
145
148
150
153
156
158



F-24
F-25
F-26
F-26A
F-26B
F-27

TOOLS
STRIPES/MARKS
GUARD ENGINE
GUARD SARI
NUMBER PLATE/HUGGER RR. FENDER/(OPTIONAL)
CAUTION LABEL

160
162
198
200
202
205