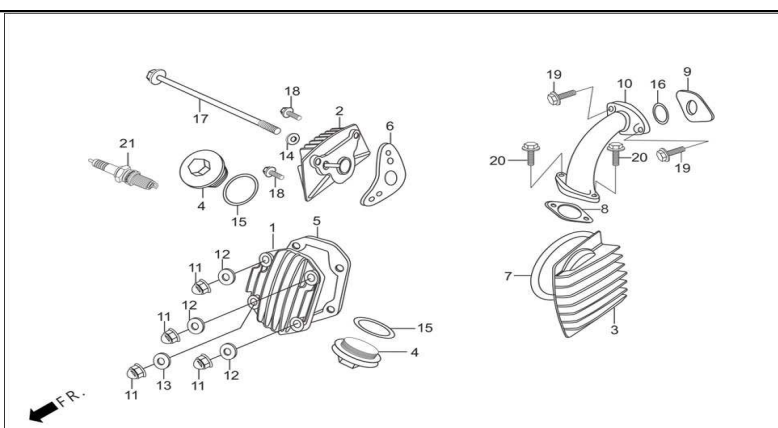


PARTS CATALOGUE

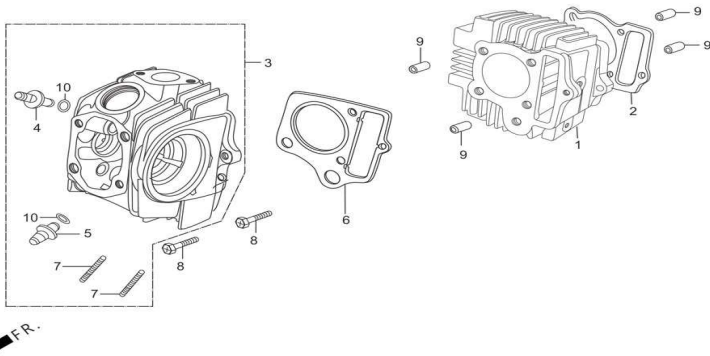
Passion Pro (Aug, 2015)

E-1
CYLINDER HEAD COVER/INLET PIPE



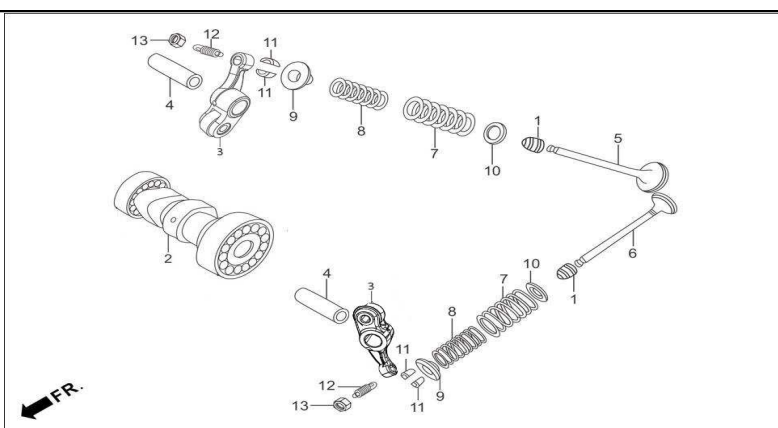
| Service Item | F.R.T. | Group Number: E-1 Model :: Passion Pro (Aug, 2015) | | | |
|---------------------------------|--------|--|-----------------|-------------------------------------|------|
| | | Ref No. | Part Number | Description | Req. |
| * COVER, CYLINDER HEAD | 0.3 | 1 | 12301-KWA-900 | COVER, CYLINDER HEAD, BLACK | 1 |
| * GASKET, CYLINDER HEAD COVER | | 2 | 12331-KWA-900 | COVER 'R' CYLINDER HEAD SIDE(BLACK) | 1 |
| * COVER, 'R' CYLINDER HEAD SIDE | 0.1 | 3 | 12341-KWA-900 | COVER 'L' CYLINDER HEAD SIDE | 1 |
| * COVER L CYLINDER HEAD SIDE | 0.2 | 4 | 12361-035-000 | CAP, TAPPET ADJUSTING HOLE | 2 |
| * S PARK PLUG | 0.1 | 5 | 12391-AAH-00099 | GASKET CYL HEAD COVER | 1 |
| * INSULATOR, CARBURETTOR | 0.2 | 6 | 12394-AAH-00099 | GASKET CYL HEAD R SIDE COVER | 1 |
| * PIPE, INLET | 0.3 | 7 | 12395-AAH-00099 | GASKET CYL HEAD L SIDE COVER | 1 |
| | | 8 | 16201-KWB-920 | GASKET,CARB. INSULATOR | 1 |
| | | 9 | 16211-459-750 | INSULATOR, CARBURETTOR | 1 |
| | | 10 | 17110-AAF-100 | PIPE, INLET | 1 |
| | | 11 | 90201-GF6-000R | NUT, CAP, 7 MM | 4 |
| | | 12 | 90442-GF6-000 | WASHER, SEALING, 7 MM | 3 |
| | | 13 | 90443-GF6-010 | WASHER, 'A' SEALING, 7 MM | 1 |
| | | 14 | 90461-357-000 | WASHER, SEALING, 12 MM | 1 |
| | | 15 | 91302-KEV-900 | O-RING, 30.8 X 3 | 2 |
| | | 16 | 91304-GB1-900 | O-RING, 25 X 2.4 | 1 |
| | | 17 | 95701-06110-00 | BOLT, FLANGE, 6 X 110 | 1 |
| | | 18 | 96001-06020-00 | BOLT, FLANGE, SH. 6 X 20 | 2 |
| | | 19 | 96001-06022-00 | BOLT, FLANGE, SH. 6 X 22 | 2 |
| | | 20 | 96001-06025-00 | BOLT, FLANGE, SH. 6 X 25 | 2 |
| | | 21 | 31917-AAC-H00 | SPARK PLUG | 1 |

E-2
CYLINDER/CYLINDER HEAD



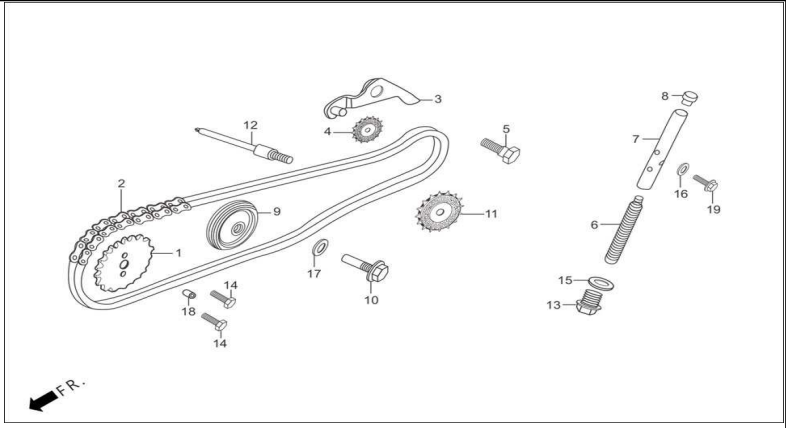
| Service Item | F.R.T. | Group Number: E-2 Model :: Passion Pro (Aug, 2015) | | | |
|---|--------|--|---------------|--------------------------|------|
| | | Ref No. | Part Number | Description | Req. |
| * CYLINDER | 1.2 | 1 | 12101-KST-940 | CYLINDER | 1 |
| * GASKET, CYLINDER | 1.1 | 2 | 12191-GS4-762 | GASKET, CYLINDER | 1 |
| * HEAD, COMP., CYLINDER (INC. REAMING) | 1.6 | 3 | 12200-AAH-500 | HEAD COMP. CYLINDER | 1 |
| * GUIDE, VALVE | | 4 | 12237-GB4-305 | GUIDE,IN. VALVE | 1 |
| (ADD 0.3 FOR EACH) | | 5 | 12245-GB4-305 | GUIDE, EXH. VALVE | 1 |
| (EXC. VALVE REFACING) | | 6 | 12251-KST-942 | GASKET, CYLINDER HEAD | 1 |
| (ADD MORE 0.2 IF PERFORMED) | | 7 | 90033-041-020 | BOLT, STUD, 6 X 32 | 2 |
| * GASKET, CYLINDER HEAD | 0.9 | 8 | 90081-GFP-900 | BOLT, SOCKET FLANGE 6x23 | 2 |
| * BOLT, STUD, 6 X 32 | 0.3 | 9 | 90701-GF6-000 | PIN, DOWEL, 8 X 14 | 4 |
| (ADD 0.1 FOR EACH) | | 10 | 91305-028-150 | O- RING, 9 X1.6 | 2 |

E-3
CAMSHAFT/VALVE



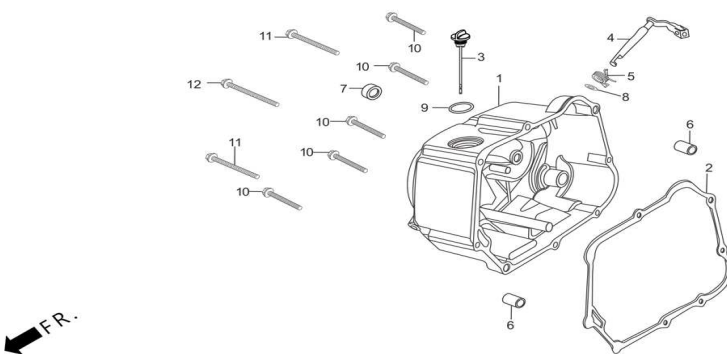
| Service Item | F.R.T. | Group Number: E-3 Model :: Passion Pro (Aug, 2015) | | | |
|---|--------|--|----------------|--------------------------|------|
| | | Ref No. | Part Number | Description | Req. |
| *CAMSHAFT COMP., | 0.7 | | | | |
| * ARM, VALVE ROCKER (ONE OR ALL) | 1.1 | 1 | 12209-GB4-685 | SEAL, VALVE STEM | 2 |
| | | 2 | 14100-AAH-H41 | SHAFT COMP CAM | 1 |
| * VALVE (ADD 0.2 FOR EACH) (INC. REFACING) | 1.4 | 3 | 14430-KST-940 | ARM COMP., VALVE ROCKER | 2 |
| | | 4 | 14451-KST-940 | SHAFT, ROCKER ARM | 2 |
| | | 5 | 14711-GN5-910L | VALVE INLET | 1 |
| (EXC. VALVE GUIDE REPLACEMENT) | | 6 | 14721-AAE-H10 | VALVE, EXHAUST | 1 |
| * SPRING, VALVE INNER (ADD 0.1 FOR EACH) (INC. RELATIVE PART) | 1.2 | 7 | 14751-GBG-900 | SPRING, VALVE OUTER | 2 |
| | | 8 | 14761-GBG-900 | SPRING, VALVE INNER | 2 |
| | | 9 | 14771-GB4-680 | RETAINER, VALVE SPRING | 2 |
| | | 10 | 14775-MA6-000 | SEAT, VALVE SPRING OUTER | 2 |
| | | 11 | 14781-MA6-000 | COTTER, VALVE | 4 |
| | | 12 | 90012-333-000R | SCREW, TAPPET ADJUSTING | 2 |
| | | 13 | 90206-001-000 | NUT, TAPPET ADJUSTING | 2 |

E-4
CAM CHAIN TENSIONER



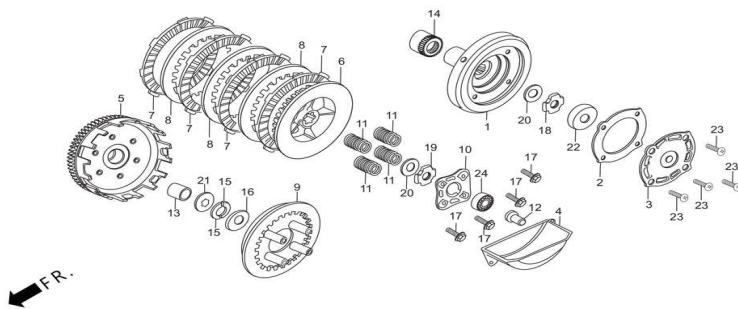
| Service Item | F.R.T. | Group Number: E-4 Model :: Passion Pro (Aug, 2015) | | | |
|----------------------------------|--------|--|-----------------|-----------------------------------|------|
| | | Ref No. | Part Number | Description | Req. |
| * SPROCKET, CAM(28T) | 0.4 | 1 | 14321-AAD-200 | SPROCKET CAM | 1 |
| * ARM COMP., CAM CHAIN TENSIONER | -- | 2 | 14401-AAD-00099 | CAM CHAIN | 1 |
| *ROLLER, CAM CHAIN TENSIONER | -- | 3 | 14500-035-020 | ARM COMP., CAM CHAIN TENSIONER | 1 |
| *CHAIN, CAM | 1.4 | 4 | 14502-086-000R | ROLLER, CAM CHAIN TENSIONER | 1 |
| *PUSH ROD COM., TENSIONER | 0.3 | 5 | 14531-035-000 | PIVOT, CAM CHAIN TENSIONER | 1 |
| *ROLLER COMP., CAM CHAIN GUIDE | 1.0 | 6 | 14541-GB4-681 | SPRING, TENSIONER | 1 |
| *SPROCKET, CAM CHAIN GUIDE | 1.6 | 7 | 14550-GB0-910R | PUSH ROD, COMP., TENSIONER | 1 |
| *SPINDLE, CAM CHAIN GUIDE | -- | 8 | 14566-086-030 | HEAD.TENS.PUSH ROD | 1 |
| | | 9 | 14610-086-000R | ROLLER COMP., CAM CHAIN GUIDE | 1 |
| | | 10 | 14615-035-010 | PIN, GUIDE ROLLER | 1 |
| | | 11 | 14670-035-030L | SPROCKET, CAM CHAIN GUIDE | 1 |
| | | 12 | 14675-178-000 | SPINDLE, CAM CHAIN GUIDE SPROCKET | 1 |
| | | 13 | 90081-035-000 | BOLT, SEALING, 14 MM | 1 |
| | | 14 | 90083-KVH-900 | BOLT, KNOCK, 5 MM | 2 |
| | | 15 | 90441-035-000 | WASHER, SEALING, 14 MM | 1 |
| | | 16 | 90461-357-000 | WASHER, SEALING, 12 MM | 1 |
| | | 17 | 90481-035-000 | WASHER, 8 MM | 1 |
| | | 18 | 90702-GB6-910 | PIN, DOWEL, 8 X 12 | 1 |
| | | 19 | 96001-06018-00 | BOLT, FLANGE, 6 X 18 | 1 |

E-5
RIGHT CRANK CASE COVER



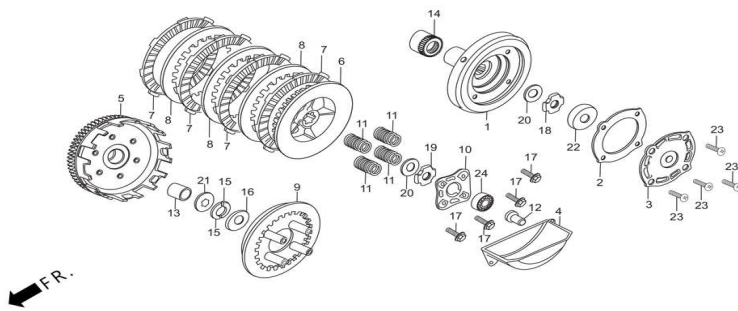
| Service Item | F.R.T. | Group Number: E-5 Model :: Passion Pro (Aug, 2015) | | | |
|---|--------|--|-----------------|---------------------------|------|
| | | Ref No. | Part Number | Description | Req. |
| *COVER COMP., R CRANK CASE | 0.8 | 1 | 11330-AAC-H00 | COVER COMP,R CRANK CASE | 1 |
| *GASKET, R CRANK CASE COVER | 0.6 | 2 | 11394-AAH-00099 | GASKET R CRANK CASE COVER | 1 |
| * LEVER COMP., CLUTCH (INC. RELATIVE PART) | 0.7 | 3 | 15650-AAC-H00 | GAUGE OIL LEVEL | 1 |
| | -- | 4 | 22810-198-000 | LEVER COMP.,CLUTCH | 1 |
| * OIL SEAL, 13.8 X 24 X 5 | -- | 5 | 22815-166-000 | SPRING, CLUTCH LEVER | 1 |
| | | 6 | 90702-GB6-910 | PIN, DOWEL,8 X 12 | 2 |
| | | 7 | 91202-302-010 | OIL SEAL, 13.8 X 24 X 5 | 1 |
| | | 8 | 91303-719-000 | O-RING,9 MM | 1 |
| | | 9 | 91307-035-000 | O-RING,18 X 3 | 1 |
| | | 10 | 96001-06040-00 | BOLT, FLANGE, SH. 6 X 40 | 5 |
| | | 11 | 96001-06065-00 | BOLT, FLANGE, SH. 6 X 65 | 2 |
| | | 12 | 96001-06080-00 | BOLT, FLANGE, SH. 6 X 80 | 1 |

**E-6
CLUTCH**



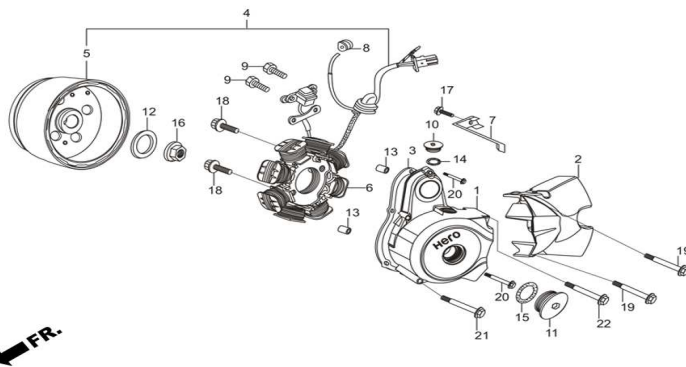
| Service Item | F.R.T. | Group Number: E-6 Model :: Passion Pro (Aug, 2015) | | | |
|------------------------------|--------|--|-----------------|----------------------------|------|
| | | Ref No. | Part Number | Description | Req. |
| * ROTOR, OIL FILTER | 0.9 | 1 | 15431-198-000 | ROTOR, OIL FILTER | 1 |
| * COVER, OIL FILTER ROTOR | 0.7 | 2 | 15439-AAH-00099 | GASKET ROTOR OIL FILTER | 1 |
| * PLATE, OIL SEPARATOR | 1.1 | 3 | 15441-198-000 | COVER, OIL FILTER ROTOR | 1 |
| * OUTER COMP., CLUTCH | 1.2 | 4 | 15661-198-000 | PLATE, OIL SEPARATOR | 1 |
| * CENTER CLUTCH | 1.2 | 5 | 22110-AAH-H40 | OUTER COMP. CLUTCH | 1 |
| * DISC, CLUTCH FRICTION | -- | 6 | 22121-198-900 | CENTER, CLUTCH | 1 |
| (ONE OR ALL) | -- | 7 | 22201-GF6-000 | DISC, CLUTCH FRICTION | 4 |
| (INC. RELATIVE PART) | -- | 8 | 22311-107-000 | PLATE, CLUTCH | 3 |
| * PLATE, CLUTCH PRESSURE | -- | 9 | 22350-115-020 | PLATE, CLUTCH PRESSURE | 1 |
| * PLATE, CLUTCH LIFTER | -- | 10 | 22361-KST-940 | PLATE, CLUTCH LIFTER | 1 |
| * SPRING CLUTCH (ONE OR ALL) | -- | 11 | 22401-GF6-000 | SPRING, CLUTCH | 4 |
| | | 12 | 22847-KCC-900 | ROD, CLUTCH LIFTER | 1 |
| | | 13 | 23112-AAJ-H10 | COLLAR DRIVEN GEAR | 1 |
| | | 14 | 23121-KST-901 | GEAR, PRIMARY DRIVE (18T) | 1 |
| | | 15 | 23216-GF6-000 | COTTER, MAINSHAFT | 2 |
| | | 16 | 23217-GF6-000L | SET RING MAIN SHAFT | 1 |
| | | 17 | 90050-KFL-850 | SPECIAL BOLT FLANGE 6 X 25 | 4 |
| | | 18 | 90231-087-010 | NUT, LOCK, 14 MM | 1 |
| | | 19 | 90231-198-000 | NUT 'B' LOCK, 14MM | 1 |
| | | 20 | 90432-086-000 | WASHER 'B' LOCK | 2 |

**E-6
CLUTCH**



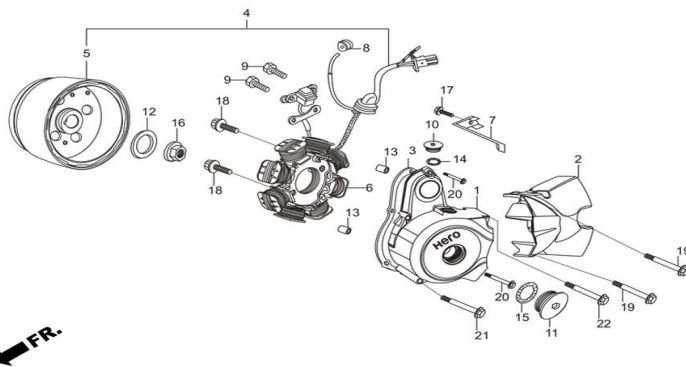
| Service Item | F.R.T. | Group Number: E-6 Model :: Passion Pro (Aug, 2015) | | | |
|------------------------------|--------|--|----------------|------------------------------|------|
| | | Ref No. | Part Number | Description | Req. |
| * ROTOR, OIL FILTER | 0.9 | | | | |
| * COVER, OIL FILTER ROTOR | 0.7 | 21 | 90461-GF6-000 | WASHER, SPLINE, 17 MM | 1 |
| * PLATE, OIL SEPARATOR | 1.1 | 22 | 91205-350-000 | OIL SEAL , 6 X 25 X 6 | 1 |
| * OUTER COMP., CLUTCH | 1.2 | 23 | 93600-05012-1H | SCREW, FLAT, 5 X 12 | 4 |
| *CENTER CLUTCH | 1.2 | 24 | 96100-60010-00 | BEARING , RADIAL BALL , 6001 | 1 |
| * DISC, CLUTCH FRICTION | -- | | | | |
| (ONE OR ALL) | -- | | | | |
| (INC. RELATIVE PART) | -- | | | | |
| * PLATE, CLUTCH PRESSURE | -- | | | | |
| * PLATE, CLUTCH LIFTER | -- | | | | |
| * SPRING CLUTCH (ONE OR ALL) | -- | | | | |

E-7A-SELF
LEFT CRANK CASE COVER / A.C. GEN.ASSY.



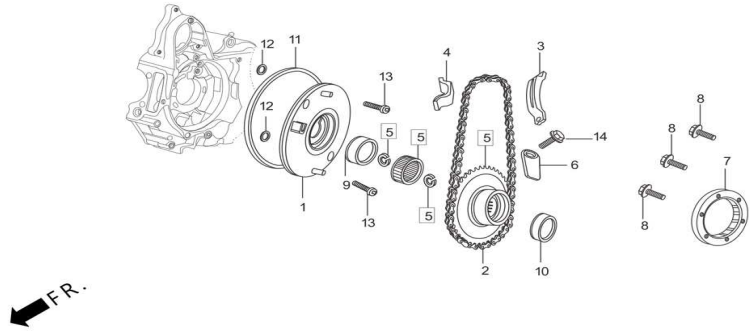
| Service Item | F.R.T. | Group Number: E-7A-SELF Model :: Passion Pro (Aug, 2015) | | | |
|-------------------------|--------|--|----------------|-----------------------------|------|
| | | Ref No. | Part Number | Description | Req. |
| COVER LEFT CRANKCASE | 0.1 | 1 | 11341-AAC-010 | COVER 'L' CRANK CASE | 1 |
| A.C. GEN. ASSY. | 0.5 | 2 | 11360-KWA-930 | COVER RR L CRANK CASE | 1 |
| STATOR, COMP., | -- | 3 | 11395-GBJ-731 | GASKET L CRANK CASE COVER | 1 |
| FLYWHEEL COMP. | 0.3 | 4 | 31100-KWA-941 | A.C. GEN. ASSY. | 1 |
| OIL SEAL, 18.9 X 30 X 5 | -- | 5 | 31110-KWA-941 | FLYWHEEL COMP. | 1 |
| O-RING 107 X 2 | -- | 6 | 31120-KWA-931 | STATOR COMP. | 1 |
| | | 7 | 32961-KST-940 | CLAMPER ACG CORD | 1 |
| | | 8 | 32981-GB4-780 | GORMMET NEUTRAL SWITCH CORD | 1 |
| | | 9 | 90083-KVH-900 | BOLT, KNOCK, 5 MM | 2 |
| | | 10 | 90084-KWA-930 | CAP 14 MM | 1 |
| | | 11 | 90087-KWA-930 | CAP 30MM | 1 |
| | | 12 | 90410-HC4-000 | WASHER ,10MM | 1 |
| | | 13 | 90702-GB6-910 | PIN, DOWEL, 8 X 12 | 2 |
| | | 14 | 91303-377-000 | 'O'-RING, 13.8 X 2.5 | 1 |
| | | 15 | 91356-KGH-901 | 'O'-RING, 30 MM | 1 |
| | | 16 | 94050-10000 | NUT, FLANGE, 10MM | 1 |
| | | 17 | 96001-06016-00 | BOLT, FLANGE SH. 6 X 16 | 1 |
| | | 18 | 96001-06020-00 | BOLT, FLANGE, SH. 6 X 20 | 2 |
| | | 19 | 96001-06028-00 | BOLT, FLANGE, SH. 6X28 | 2 |
| | | 20 | 96001-06032-00 | BOLT, FLANGE, SH., 6 X 32 | 2 |

E-7A-SELF
LEFT CRANK CASE COVER / A.C. GEN.ASSY.



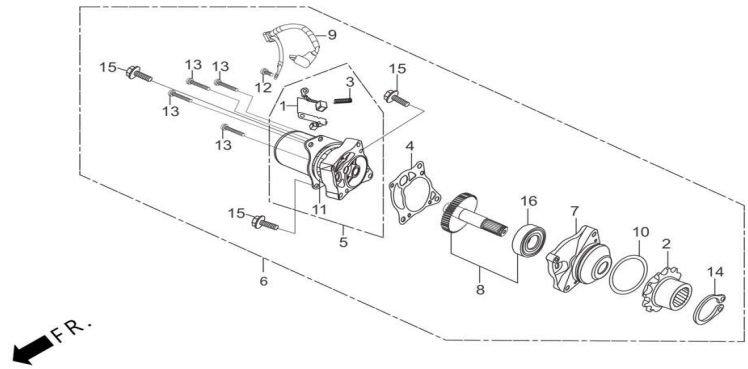
| Service Item | F.R.T. | Group Number: E-7A-SELF Model :: Passion Pro (Aug, 2015) | | | |
|-------------------------|--------|--|----------------|--------------------------|------|
| | | Ref No. | Part Number | Description | Req. |
| COVER LEFT CRANKCASE | 0.1 | | | | |
| A.C. GEN. ASSY. | 0.5 | 21 | 96001-06050-00 | BOLT, FLANGE, SH. 6 X 50 | 1 |
| STATOR, COMP., | -- | 22 | 96001-06070-00 | BOLT, FLANGE, SH., 6X70 | 1 |
| FLYWHEEL COMP. | 0.3 | | | | |
| OIL SEAL, 18.9 X 30 X 5 | -- | | | | |
| O-RING 107 X 2 | -- | | | | |

E-7B-SELF
STARTING CLUTCH



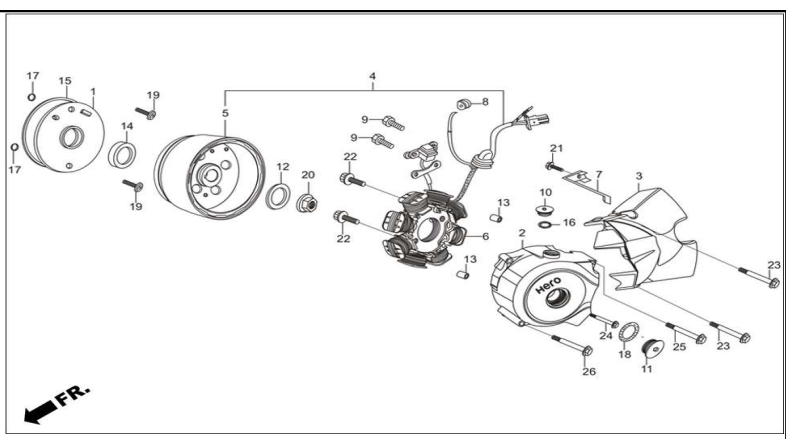
| Service Item | F.R.T. | Group Number: E-7B-SELF Model :: Passion Pro (Aug, 2015) | | | |
|---------------------------|--------|--|----------------|-----------------------------|------|
| | | Ref No. | Part Number | Description | Req. |
| * COVER L. CRANKCASE | 0.1 | 1 | 11321-KWA-940 | PLATE OIL SEPARATE | 1 |
| *A. C. GEN. ASSY. | 0.5 | 2 | 28101-KWA-940 | CHAIN STARTING | 1 |
| * STATOR, COMP., | -- | 3 | 28102-KWA-940 | GUIDE STARTER CHAIN | 1 |
| * FLY WHEEL COMP. | 0.3 | 4 | 28103-GB4-700 | PROTECTOR STARTER CHAIN | 1 |
| * OIL SEAL, 18.9 X 30 X 5 | -- | 5 | 28110-AAD-H40 | SPROCKET COMP. STARTING | 1 |
| * O -RING, 107 X 2 | -- | 6 | 28117-KFL-850 | SET PLATE STARTING SPROKET | 1 |
| | | 7 | 28120-KWA-942 | OUTER COMP. STARTING CLUTCH | 1 |
| | | 8 | 90085-KWA-940 | BOLT, SOCKET 6MM | 3 |
| | | 9 | 91201-GBG-900 | OIL SEAL 30x42x4.5 | 1 |
| | | 10 | 91204-GBG-850 | OIL SEAL 18.9x28x5 | 1 |
| | | 11 | 91301-035-000 | O RING, 107 X 2 | 1 |
| | | 12 | 91317-171-000 | O RING, 6 X 1.7 | 2 |
| | | 13 | 93600-06016-0A | SCREW, FLAT, 6X16 | 2 |
| | | 14 | 96001-06010-00 | BOLT FLANGE SH. 6x10 | 1 |

E-7C-SELF
STARTER MOTOR



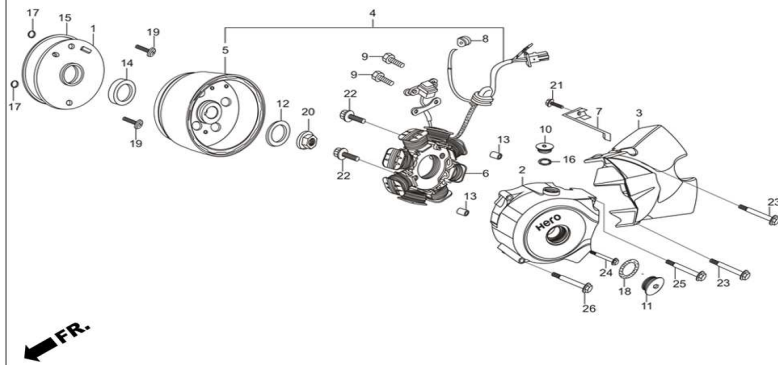
| Service Item | F.R.T. | Group Number: E-7C-SELF Model :: Passion Pro (Aug, 2015) | | | |
|---------------------------|--------|--|-----------------|--------------------------|------|
| | | Ref No. | Part Number | Description | Req. |
| * COVER L. CRANKCASE | 0.1 | 1 | 31201-KG8-004 | BUSH SET | 1 |
| *A. C. GEN. ASSY. | 0.5 | 2 | 31202-GB2-700L | SPROCKET | 1 |
| * STATOR, COMP., | -- | 3 | 31204-KG8-004 | BRUSH, SPRING | 2 |
| * FLY WHEEL COMP. | 0.3 | 4 | 31205-KWA-941 | PACKING | 1 |
| * OIL SEAL, 18.9 X 30 X 5 | -- | 5 | 31208-KWA-941 | MOTOR ONLY | 1 |
| * O -RING, 107 X 2 | -- | 6 | 31210-KWA-94099 | MOTOR UNIT START | 1 |
| | | | 31210-KWA-94099 | MOTOR UNIT START | 1 |
| | | 7 | 31211-KWA-941 | CASE 'A' FRONT | 1 |
| | | 8 | 31213-GB4-701L | GEAR COMP., DRIVEN | 1 |
| | | 9 | 32410-KVH-871 | SUB HARNES 'A' | 1 |
| | | 10 | 91308-GB4-701L | O-RING A | 1 |
| | | 11 | 91309-GB2-701L | O-RING B | 1 |
| | | 12 | 93892-04006-08L | SCREW, WASH., 4X6 | 1 |
| | | 13 | 93892-05030-08L | SCREW, WASH., 5X30 | 4 |
| | | 14 | 94510-12000L | CIRCLIP, EXTERNAL, 12 MM | 1 |
| | | 15 | 96001-06045-00 | BOLT, FLANGE, SH. 6 X 45 | 3 |
| | | 16 | 96120-60010-10L | BEARING, BALL RADIAL | 1 |

E-7-KICK
LEFT CRANK CASE COVER / A.C. GEN.ASSY.



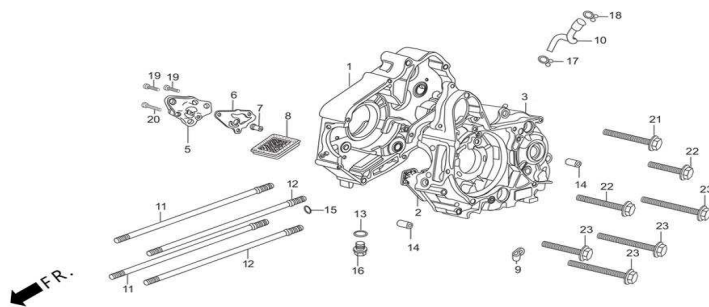
| Service Item | F.R.T. | Group Number: E-7-KICK Model :: Passion Pro (Aug, 2015) | | | |
|-------------------------|--------|---|----------------|-----------------------------|------|
| | | Ref No. | Part Number | Description | Req. |
| COVER LEFT CRANKCASE | 0.1 | 1 | 11321-KST-940 | PLATE, OIL SEPERATOR | 1 |
| A.C. GEN. ASSY. | 0.5 | 2 | 11341-AAC-000 | COVER 'L' CRANK CASE | 1 |
| STATOR, COMP., | -- | 3 | 11360-KWA-930 | COVER RR L CRANK CASE | 1 |
| FLYWHEEL COMP. | 0.3 | 4 | 31100-KWA-931 | A.C. GEN. ASSY. | 1 |
| OIL SEAL, 18.9 X 30 X 5 | -- | 5 | 31110-KWA-931 | FLYWHEEL COMP. | 1 |
| O-RING 107 X 2 | -- | 6 | 31120-KWA-931 | STATOR COMP. | 1 |
| | | 7 | 32961-KST-940 | CLAMPER ACG CORD | 1 |
| | | 8 | 32981-GB4-780 | GORMMET NEUTRAL SWITCH CORD | 1 |
| | | 9 | 90083-KVH-900 | BOLT, KNOCK, 5 MM | 2 |
| | | 10 | 90084-KWA-930 | CAP 14 MM | 1 |
| | | 11 | 90087-KWA-930 | CAP 30MM | 1 |
| | | 12 | 90410-HC4-000 | WASHER ,10MM | 1 |
| | | 13 | 90702-GB6-910 | PIN, DOWEL,8 X 12 | 2 |
| | | 14 | 91202-KTL-741 | OIL SEAL 19x30x5 | 1 |
| | | 15 | 91301-035-000 | O RING, 107 X2 | 1 |
| | | 16 | 91303-377-000 | 'O'-RING, 13.8 X 2.5 | 1 |
| | | 17 | 91317-171-000 | O RING, 6 X 1.7 | 2 |
| | | 18 | 91356-KGH-901 | 'O'-RING, 30 MM | 1 |
| | | 19 | 93600-06016-0A | SCREW, FLAT, 6X16 | 2 |
| | | 20 | 94050-10000 | NUT, FLANGE, 10MM | 1 |

E-7-KICK
LEFT CRANK CASE COVER / A.C. GEN.ASSY.



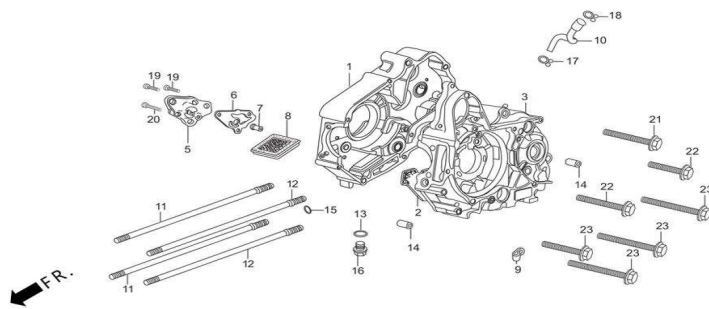
| Service Item | F.R.T. | Group Number: E-7-KICK Model :: Passion Pro (Aug, 2015) | | | |
|-------------------------|--------|---|----------------|---------------------------|------|
| | | Ref No. | Part Number | Description | Req. |
| COVER LEFT CRANKCASE | 0.1 | | | | |
| A.C. GEN. ASSY. | 0.5 | 21 | 96001-06016-00 | BOLT, FLANGE SH. 6 X 16 | 1 |
| STATOR, COMP., | -- | 22 | 96001-06020-00 | BOLT, FLANGE, SH. 6 X 20 | 2 |
| FLYWHEEL COMP. | 0.3 | 23 | 96001-06028-00 | BOLT, FLANGE, SH. 6X28 | 2 |
| OIL SEAL, 18.9 X 30 X 5 | -- | 24 | 96001-06032-00 | BOLT, FLANGE, SH., 6 X 32 | 1 |
| O-RING 107 X 2 | -- | 25 | 96001-06060-00 | BOLT, FLANGE, SH. 6 X 60 | 1 |
| | | 26 | 96001-06070-00 | BOLT, FLANGE, SH., 6X70 | 1 |

E-8-KICK
CRANK CASE / OIL PUMP



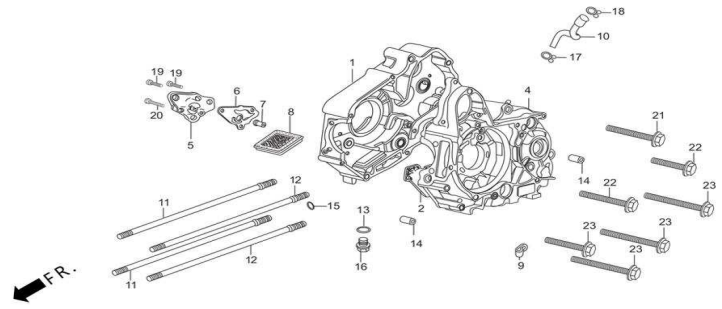
| Service Item | F.R.T. | Group Number: E-8-KICK Model :: Passion Pro (Aug, 2015) | | | |
|---|--------|---|-----------------|--|------|
| | | Ref No. | Part Number | Description | Req. |
| * CRANK CASE COMP., 'R' | *4.0 | 1 | 11100-KWA-900 | CRANK CASE COMP., 'R'(BLACK) | 1 |
| * GASKET, CRANK CASE | *3.6 | 2 | 11191-AAH-00099 | GASKET CRANK CASE | 1 |
| * CRANK CASE COMP., 'L' | *4.4 | 3 | 11200-KVH-950 | CRANK CASE COMP., 'L (BILK) | 1 |
| * SCREEN, OIL FILTER | 0.6 | 5 | 15100-KCC-900 | PUMP ASSY.,OIL | 1 |
| * BOLT, CYLINDER STUD (ADD 0.1 FOR EACH) | -- | 6 | 15119-178-000 | GASKET, OIL PUMP BODY | 1 |
| * PUMP ASSY., OIL (INC. RELATIVE PART) | -- | 7 | 15384-178-000 | PIVOT, OIL PUMP | 1 |
| | | 8 | 15421-035-010 | SCREEN, OIL FILTER | 1 |
| | | 9 | 16236-045-010 | CLAMPER, OVER FLOW PIPE | 1 |
| | | 10 | 17371-KWA-940 | TUBE BREATHER | 1 |
| | | 11 | 90031-GF6-000R | BOLT 'A', CYLINDER STUD, 6 X 198 X 7 | 2 |
| | | 12 | 90032-GF6-000R | BOLT 'B', CYLINDER STUD, 6 X 205.5 X 7 | 2 |
| | | 13 | 90407-259-000 | DRAIN COCK PACKING | 1 |
| | | 14 | 90703-HC4-000 | DOWEL PIN, 10X14 | 2 |
| | | 15 | 91303-GF6-000 | PACKING ,RUBBER ,16MM | 1 |
| | | 16 | 92800-12000-00 | DRAIN PLUG BOLT | 1 |
| | | 17 | 95002-02100 | CLIP, B-10 TUBE | 1 |
| | | 18 | 95002-80000 | CLIP,C12 TUBE | 1 |
| | | 19 | 96001-06016-00 | BOLT, FLANGE SH. 6 X 16 | 2 |
| | | 20 | 96001-06025-00 | BOLT, FLANGE, SH. 6 X 25 | 1 |
| | | 21 | 96001-06050-00 | BOLT, FLANGE, SH. 6 X 50 | 1 |

E-8-KICK
CRANK CASE / OIL PUMP



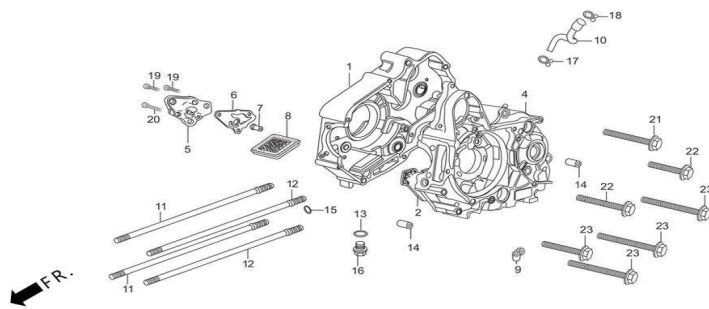
| Service Item | | F.R.T. | Group Number: E-8-KICK Model :: Passion Pro (Aug, 2015) | | |
|---|-------------|-------------|---|----------------|--------------------------|
| Ref No. | Part Number | Description | Req. | | |
| * CRANK CASE COMP., 'R' | *4.0 | | | | |
| * GASKET, CRANK CASE | *3.6 | | 22 | 96001-06060-00 | BOLT, FLANGE, SH. 6 X 60 |
| * CRANK CASE COMP., 'L' | *4.4 | | 23 | 96001-06065-00 | BOLT, FLANGE, SH. 6 X 65 |
| * SCREEN, OIL FILTER | 0.6 | | | | |
| * BOLT, CYLINDER STUD (ADD 0.1 FOR EACH) | 1.1 | | | | |
| * PUMP ASSY., OIL (INC. RELATIVE PART) | -- | | | | |

E-8-SELF
CRANK CASE/OIL PUMP



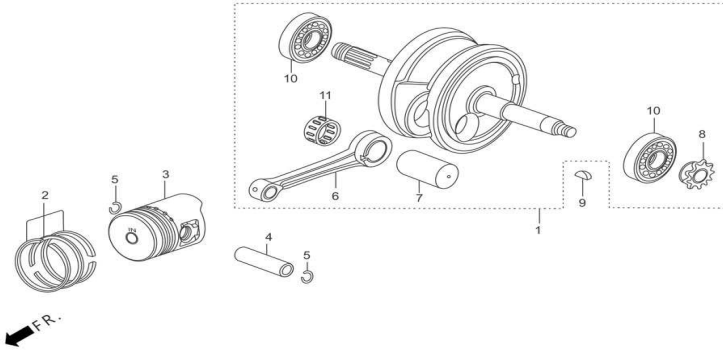
| Service Item | F.R.T. | Group Number: E-8-SELF Model :: Passion Pro (Aug, 2015) | | | |
|-------------------------|--------|---|-----------------|--|------|
| | | Ref No. | Part Number | Description | Req. |
| * CRANK CASE COMP., 'R' | *4.0 | 1 | 11100-KWA-900 | CRANK CASE COMP., 'R'(BLACK) | 1 |
| * GASKET, CRANK CASE | *3.6 | 2 | 11191-AAH-00099 | GASKET CRANK CASE | 1 |
| * CRANK CASE COMP., 'L' | *4.4 | 3 | 11200-KVH-950 | CRANK CASE COMP., 'L (BILK) | 1 |
| * SCREEN, OIL FILTER | 0.6 | 5 | 15100-KCC-900 | PUMP ASSY.,OIL | 1 |
| * B OLT, CYLINDER STUD | 1.1 | 6 | 15119-178-000 | GASKET, OIL PUMP BODY | 1 |
| (ADD 0.1 FOR EACH) | -- | 7 | 15384-178-000 | PIVOT, OIL PUMP | 1 |
| * PUMP ASSY., OIL | -- | 8 | 15421-035-010 | SCREEN, OIL FILTER | 1 |
| (INC. RELATIVE PART) | -- | 9 | 16236-045-010 | CLAMPER, OVER FLOW PIPE | 1 |
| | | 10 | 17371-KWA-940 | TUBE BREATHER | 1 |
| | | 11 | 90031-GF6-000R | BOLT 'A', CYLINDER STUD, 6 X 198 X 7 | 2 |
| | | 12 | 90032-GF6-000R | BOLT 'B', CYLINDER STUD, 6 X 205.5 X 7 | 2 |
| | | 13 | 90407-259-000 | DRAIN COCK PACKING | 1 |
| | | 14 | 90703-HC4-000 | DOWEL PIN, 10X14 | 2 |
| | | 15 | 91303-GF6-000 | PACKING ,RUBBER ,16MM | 1 |
| | | 16 | 92800-12000-00 | DRAIN PLUG BOLT | 1 |
| | | 17 | 95002-02100 | CLIP, B-10 TUBE | 1 |
| | | 18 | 95002-80000 | CLIP,C12 TUBE | 1 |
| | | 19 | 96001-06016-00 | BOLT, FLANGE SH. 6 X 16 | 2 |
| | | 20 | 96001-06025-00 | BOLT, FLANGE, SH. 6 X 25 | 1 |
| | | 21 | 96001-06050-00 | BOLT, FLANGE, SH. 6 X 50 | 1 |

E-8-SELF
CRANK CASE/OIL PUMP



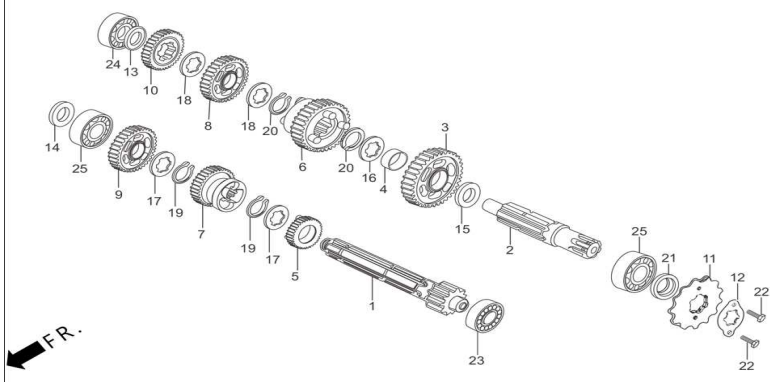
| Service Item | F.R.T. | Group Number: E-8-SELF Model :: Passion Pro (Aug, 2015) | | | |
|---|--------|---|----------------|--------------------------|------|
| | | Ref No. | Part Number | Description | Req. |
| * CRANK CASE COMP., 'R' | *4.0 | 22 | 96001-06060-00 | BOLT, FLANGE, SH. 6 X 60 | 2 |
| * GASKET, CRANK CASE | *3.6 | 23 | 96001-06065-00 | BOLT, FLANGE, SH. 6 X 65 | 4 |
| * CRANK CASE COMP., 'L' | *4.4 | | | | |
| * SCREEN, OIL FILTER | 0.6 | | | | |
| * BOLT, CYLINDER STUD (ADD 0.1 FOR EACH) | 1.1 | | | | |
| * PUMP ASSY., OIL (INC. RELATIVE PART) | -- | | | | |

E-9
CRANKSHAFT/PISTON



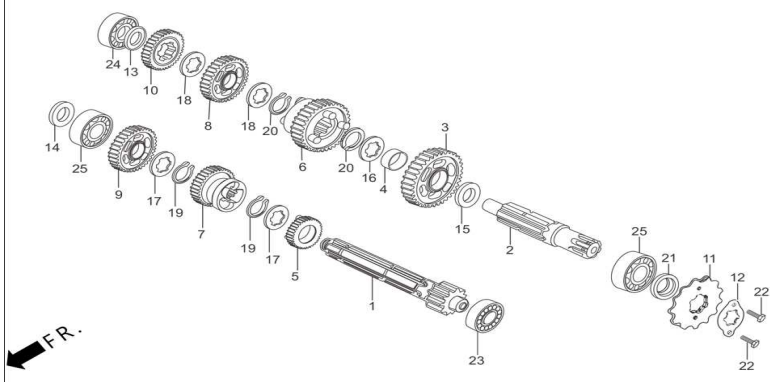
| Service Item | F.R.T. | Group Number: E-9 Model :: Passion Pro (Aug, 2015) | | | |
|---------------------------------|--------|--|----------------|-------------------------------|------|
| | | Ref No. | Part Number | Description | Req. |
| * CRANKSHAFT COMP., | 4 | 1 | 13000-AAF-000 | CRANK SHAFT COMP | 1 |
| * RING SET, PISTON | 1.3 | 2 | 13011-KCC-942 | RING SET, PISTON (STD) | 1 |
| * PISTON | -- | | 13012-KCC-942 | RING SET PISTON O/S (.25) | 1 |
| * PIN, PISTON | 1.2 | | 13013-KCC-942 | RING SET PISTON O/S (.50) | 1 |
| * ROD, CONNECTING (ACTUAL TIME) | -- | | 13014-KCC-942 | RING SET PISTON O/S (.75) | 1 |
| (INC. RELATIVE PART) | -- | | 13015-KCC-942 | RING SET PISTON O/S (1.00) | 1 |
| * BEARING, RADIAL BALL, 6304 | 4.2 | 3 | 13101-KCC-901 | PISTON | 1 |
| (ADD 0.2 FOR EACH) | -- | | 13102-KCC-315 | PISTON(O/S 0.25) | 1 |
| | | | 13103-KCC-315 | PISTON(O/S 0.5) | 1 |
| | | | 13104-KCC-315 | PISTON(O/S 0.75) | 1 |
| | | | 13105-KCC-315 | PISTON(O/S 1.00) | 1 |
| | | 4 | 13111-087-000 | PIN, PISTON | 1 |
| | | 5 | 13115-001-000 | CLIP, PISTON PIN | 2 |
| | | 6 | 13201-GF6-300 | ROD, CONECTING | 1 |
| | | 7 | 13381-KCC-900L | PIN CRANK | 1 |
| | | 8 | 14311-035-000 | SPROCKET TIMING | 1 |
| | | 9 | 90741-KFB-000 | KEY,WOODRUFF,4 MM | 1 |
| | | 10 | 91001-GF6-000 | BEARING, RADIAL BALL, 6304 | 2 |
| | | 11 | 91101-AAF-000 | BEARING CONNECTING ROD(REDF) | 1 |
| | | | 91102-AAF-000 | BEARING CONNECTING ROD(BLUE) | 1 |
| | | | 91103-AAF-000 | BEARING CONNECTING ROD(WHITE) | 1 |

E-10
TRANSMISSION



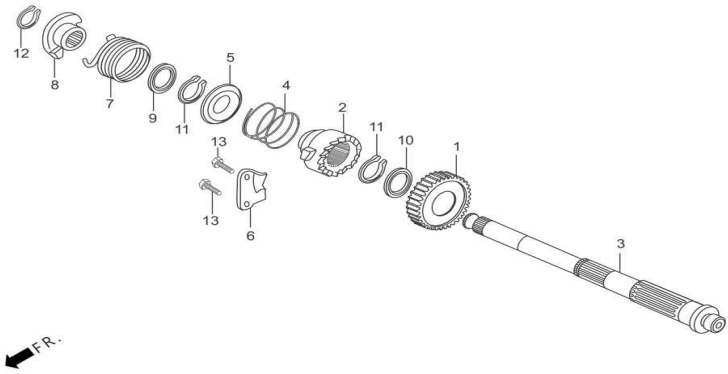
| Service Item | F.R.T. | Group Number: E-10 Model :: Passion Pro (Aug, 2015) | | | |
|----------------------------|--------|---|---------------|----------------------------------|------|
| | | Ref No. | Part Number | Description | Req. |
| *MAINSHAFT | 3.8 | 1 | 23211-GF6-000 | MAIN SHAFT (11T) | 1 |
| (INC. RELATIVE PART) | -- | 2 | 23221-GF6-000 | COUNTER SHAFT | 1 |
| *COUNTER SHAFT | -- | 3 | 23421-GB4-770 | GEAR, COUNTER SHAFT LOW (35T) | 1 |
| (INC. RELATIVE PART) | -- | 4 | 23422-GB4-770 | BUSH, 20 X 9 | 1 |
| (WHEN SERVICING COMP UNIT) | -- | 5 | 23431-GN5-910 | GEAR, MAIN SHAFT SECOND (17T) | 1 |
| F.R.T IS 4.0 | -- | 6 | 23441-GB4-770 | GEAR, COUNTER SHAFT SECOND (29T) | 1 |
| * SPROCKET, DRIVE | 0.2 | 7 | 23451-GK4-761 | GEAR, M3 21T | 1 |
| | | 8 | 23461-GK4-760 | GEAR, COUNTER SHAFT THIRD (26T) | 1 |
| | | 9 | 23471-GN5-910 | GEAR, MAIN SHAFT FOURTH (24T) | 1 |
| | | 10 | 23481-HF7-000 | GEAR, COUNTER SHAFT FOURTH (23T) | 1 |
| | | 11 | 23801-178-000 | SPROCKET, DRIVE, (14T) | 1 |
| | | 12 | 23802-040-000 | PLATE, DRIVE SPROCKET FIXING | 1 |
| | | 13 | 90451-GF6-000 | WASHER THRUST 12MM | 1 |
| | | 14 | 90451-198-000 | WASHER, THRUST, 17 MM | 1 |
| | | 15 | 90452-GB4-770 | WASHER, THRUST, 17MM | 1 |
| | | 16 | 90461-GB4-770 | WASHER, SPLINE, 20 X 1.2 | 1 |
| | | 17 | 90461-035-000 | WASHER, SPLINE, 17 MM | 2 |
| | | 18 | 90461-459-000 | WASHER, SPLINE, 20 MM | 2 |
| | | 19 | 90601-001-000 | CIRCLIP 17MM | 2 |
| | | 20 | 90601-459-000 | CIRCLIP, 20 MM | 2 |

E-10
TRANSMISSION



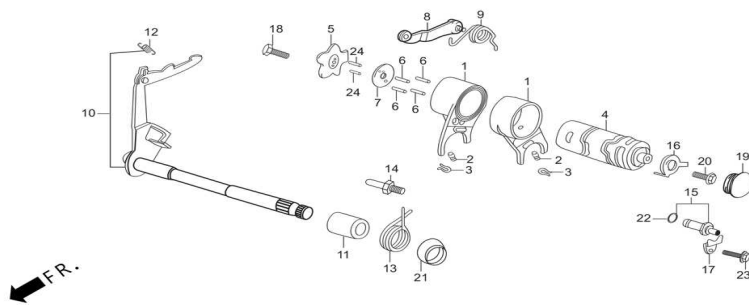
| Service Item | F.R.T. | Group Number: E-10 Model :: Passion Pro (Aug, 2015) | | | |
|----------------------------|--------|---|----------------|------------------------------|------|
| | | Ref No. | Part Number | Description | Req. |
| *MAINSHAFT | 3.8 | | | | |
| (INC. RELATIVE PART) | -- | 21 | 91203-GB5-760 | OIL SEAL, 17 X 29 X 5 | 1 |
| *COUNTER SHAFT | -- | 22 | 92000-06008-0H | BOLT HEX., 6 X 8 | 2 |
| (INC. RELATIVE PART) | -- | 23 | 96100-60010-00 | BEARING , RADIAL BALL , 6001 | 1 |
| (WHEN SERVICING COMP UNIT) | -- | 24 | 96100-62010-00 | BEARING, RADIAL BALL, 6201 | 1 |
| F.R,T IS 4.0 | -- | 25 | 96100-62030-00 | BEARING, RADIAL BALL, 6203 | 2 |
| * SPROCKET, DRIVE | 0.2 | | | | |

E-11
KICK STARTER



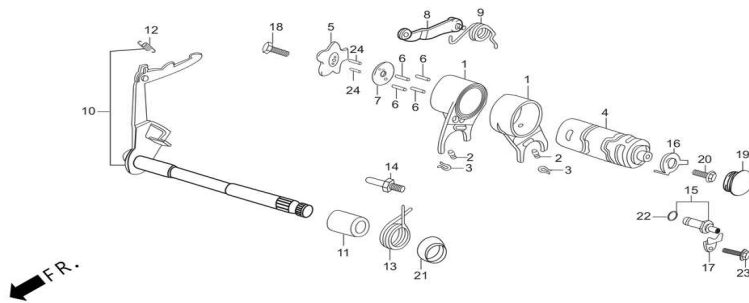
| Service Item | F.R.T. | Group Number: E-11 Model :: Passion Pro (Aug, 2015) | | | |
|---|--------|---|----------------|------------------------------|------|
| | | Ref No. | Part Number | Description | Req. |
| *PINION, KICK STARTER | 3.7 | 1 | 28211-AAF-000 | PINION KICK STARTER | 1 |
| * SPINDLE, KICK STARTER (INC. RELATIVE PART) | | 2 | 28221-198-010 | RATCHET,KICK STARTER | 1 |
| *SPRING, KICK STARTER (INC. RELATIVE PART) | 1.1 | 3 | 28251-GF6-000 | SPINDLE, KICK STARTER | 1 |
| | | 4 | 28253-397-000 | SPRING, KICK STARTER RATCHET | 1 |
| | | 5 | 28254-198-000 | RETAINER, RATCHET SPRING | 1 |
| | | 6 | 28256-198-000 | PLATE ,RATCHET GUIDE | 1 |
| | | 7 | 28261-198-000 | SPRING, KICK STARTER | 1 |
| | | 8 | 28262-198-000 | RETAINER, KICK SPRING | 1 |
| | | 9 | 90452-115-000 | WASHER ,17MM | 1 |
| | | 10 | 90454-107-000 | WASHER, THRUST, 20MM | 1 |
| | | 11 | 90601-459-000 | CIRCLIP, 20 MM | 2 |
| | | 12 | 94510-16000 | CIRCLIP, EXTERNAL, 16 MM | 1 |
| | | 13 | 95701-06020-00 | BOLT, FLANGE, 6X20 | 2 |

E-12
GEAR SHIFT



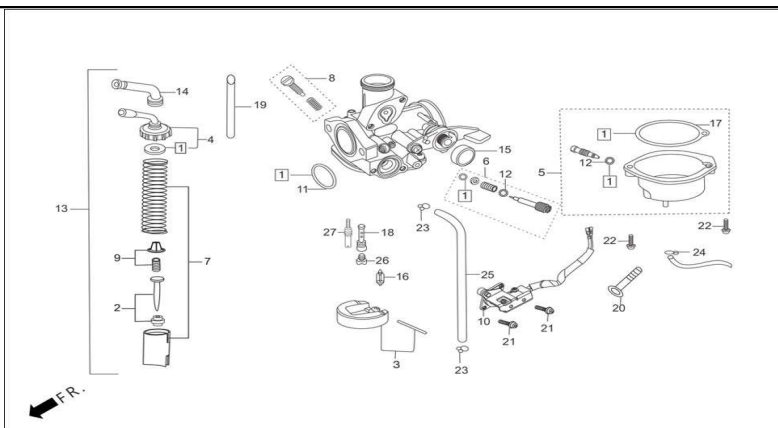
| Service Item | F.R.T. | Group Number: E-12 Model :: Passion Pro (Aug, 2015) | | | |
|----------------------------------|--------|---|----------------|--------------------------------|------|
| | | Ref No. | Part Number | Description | Req. |
| *FORK GEAR SHIFT (ONE OR ALL) | 3.8 | 1 | 24211-GF6-000R | FORK, GEARSHIFT | 2 |
| *DRUM, GEAR SHIFT | -- | 2 | 24261-121-742 | PIN, GEARSHIFT FORK GUIDE | 2 |
| *PLATE, SHIFT DRUM STOPPER | -- | 3 | 24263-028-000 | CLIP, GEARSHIFT FORK GUIDE PIN | 2 |
| *ARM COMP., SHIFT DRUM STOPPER | -- | 4 | 24301-KWA-930 | DRUM GEAR SHIFT | 1 |
| (INC. RELATIVE PART) | -- | 5 | 24411-198-900 | PLATE, SHIFT DRUM STOPPER | 1 |
| *SPINDLE COMP., GEAR SHIFT | 1.2 | 6 | 24421-200-000 | PIN, GEAR SHIFT DRUM | 4 |
| (INC. RELATIVE PART) | -- | 7 | 24425-198-900 | PLATE, SHIFT DRUM SIDE | 1 |
| * CONTACT ASSY., | -- | 8 | 24430-KST-900 | ARM COMP., SHIFT DRUM STOPPER | 1 |
| NEUTRAL SWITCH | 0.2 | 9 | 24435-GB4-770 | SPRING SHIFTDROM STPR. | 1 |
| | | 10 | 24610-KST-940 | SPINDLE COMP., GEAR SHIFT | 1 |
| | | 11 | 24639-035-000L | COLLAR 12.2 MM | 1 |
| | | 12 | 24641-041-000 | SPRING ,GEAR SHIFT ARM | 1 |
| | | 13 | 24651-035-000L | SPRING GEARSHIFT REU | 1 |
| | | 14 | 24652-035-000 | PIN, SHIFT RETURN SPRING | 1 |
| | | 15 | 35750-001-000 | CONTACT ASSY., NEUTRAL SWITCH | 1 |
| | | 16 | 35753-035-010 | ROTOR, NEUTRAL SWITCH | 1 |
| | | 17 | 35755-001-000 | PLATE, CONTACT FIXING | 1 |
| | | 18 | 90071-171-010 | BOLT, KNOCK, 6 MM | 1 |
| | | 19 | 90801-035-000 | PLUG, RUBBER, 19MM | 1 |
| | | 20 | 90022-GFP-900 | BOLT WASHER 6x16 | 1 |

E-12
GEAR SHIFT



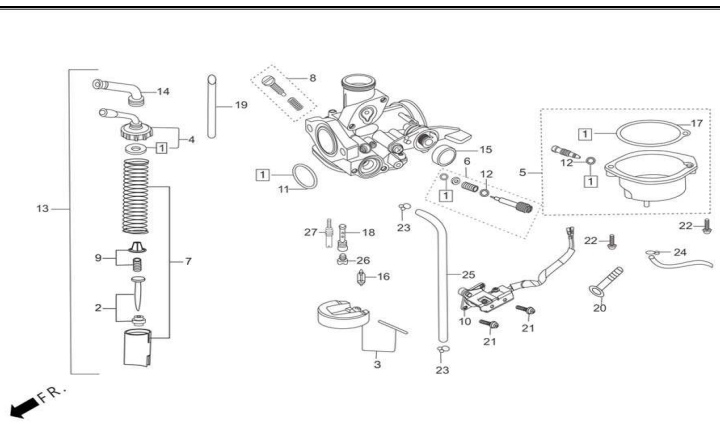
| Service Item | F.R.T. | Group Number: E-12 Model :: Passion Pro (Aug, 2015) | | | |
|--|-----------|---|----------------|---------------------------|------|
| | | Ref No. | Part Number | Description | Req. |
| *FORK GEAR SHIFT (ONE OR ALL) | 3.8 -- | 21 | 91208-KB4-670 | OIL SEAL, 11.6 X 24 X 10 | 1 |
| *DRUM, GEAR SHIFT | -- | 22 | 91312-107-000 | 'O' -RING, 7 X 1.7 | 1 |
| *PLATE, SHIFT DRUM STOPPER | -- | 23 | 96001-06012-00 | BOLT, FLANGE, SH., 6 X 12 | 1 |
| *ARM COMP., SHIFT DRUM STOPPER (INC. RELATIVE PART) | -- -- | 24 | 96220-30085 | ROLLER, 3 X 8.5 | 2 |
| *SPINDLE COMP., GEAR SHIFT (INC. RELATIVE PART) | 1.2 -- | | | | |
| * CONTACT ASSY., | -- | | | | |
| NEUTRAL SWITCH | 0.2 | | | | |

E-13
CABURETTOR



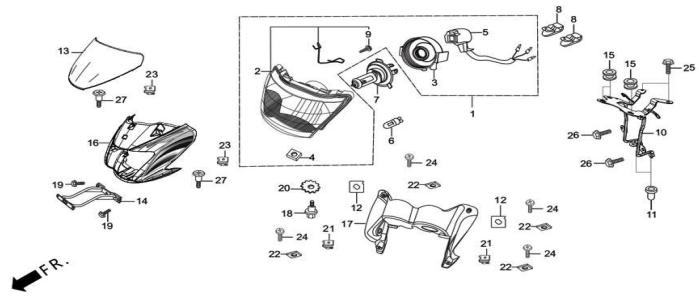
| Service Item | F.R.T. | Group Number: E-13 Model :: Passion Pro (Aug, 2015) | | | |
|--------------------------------|--------|---|---------------|-----------------------|------|
| | | Ref No. | Part Number | Description | Req. |
| * NEEDLE SET, JET | 0.5 | 1 | 16010-KWA-931 | GASKET SET | 1 |
| * CARBURETTOR ASSY | -- | 2 | 16012-KWA-931 | NEEDLE SET JET | 1 |
| * FLOAT SET | 0.4 | 3 | 16013-KRB-901 | FLOAT, SET | 1 |
| * VALVE COMP., FLOAT JET, MAIN | -- | 4 | 16014-KPH-901 | TOP SET | 1 |
| * TOP SET | 0.2 | 5 | 16015-KVW-921 | CHAMBER SET, FLOAT | 1 |
| * CHAMBER SET, FLOAT | -- | 6 | 16016-KPH-651 | SCREW SET | 1 |
| * VALVE SET, THROTTLE | 0.3 | 7 | 16022-KWA-931 | VALVE SET THROTTLE | 1 |
| | | 8 | 16028-KPH-901 | SCREW, SET | 1 |
| | | 9 | 16037-KPH-901 | PLATE SET, VALVE | 1 |
| | | 10 | 16060-KWA-933 | SWITCH ASSY. THROTTLE | 1 |
| | | 11 | 16075-KTC-901 | O-RING | 1 |
| | | 12 | 16076-KPL-901 | O-RING | 2 |
| | | 13 | 16100-KVH-762 | CARBURETTOR ASSY | 1 |
| | | 14 | 16118-KST-901 | CAP,CABLE SEALING | 1 |
| | | 15 | 16148-KPL-901 | CAP,CHOKE LEVER DUST | 1 |
| | | 16 | 16155-KRS-861 | VALVE COMP., FLOAT | 1 |
| | | 17 | 16163-GFP-901 | GASKET FLOAT CHAMBER | 1 |
| | | 18 | 16165-KWA-931 | HOLDER NEEDLE JET | 1 |
| | | 19 | 16199-KWA-931 | TUBE AIR VENT | 1 |
| | | 20 | 35701-KWA-931 | BAND | 1 |

E-13
CABURETTOR



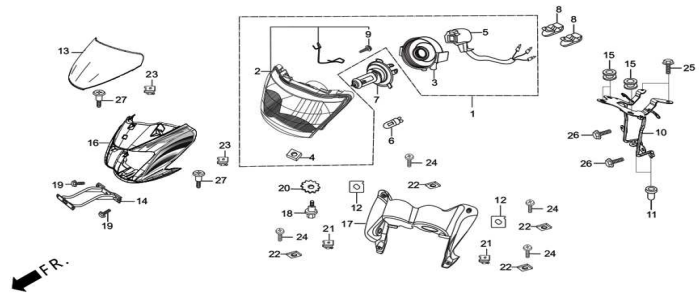
| Service Item | F.R.T. | Group Number: E-13 Model :: Passion Pro (Aug, 2015) | | | |
|--------------------------------|--------|---|----------------|---------------------|------|
| | | Ref No. | Part Number | Description | Req. |
| * NEEDLE SET, JET | 0.5 | | | | |
| * CARBURETTOR ASSY | -- | 21 | 93892-04010-10 | SCREW, WASH, 4X10 | 2 |
| * FLOAT SET | 0.4 | 22 | 93892-04014-08 | SCREW, WASH, 4 X 14 | 2 |
| * VALVE COMP., FLOAT JET, MAIN | -- | 23 | 95002-02089 | CLIP, B1 8 TUBE | 2 |
| * TOP SET | 0.2 | 24 | 95002-02659 | CLIP, B-1, 6.5 TUBE | 1 |
| * CHAMBER SET, FLOAT | -- | 25 | 95005-35260-50 | TUBE OVERFLOW | 1 |
| * VALVE SET, THROTTLE | 0.3 | 26 | 99101-KWA-1050 | JET, MAIN #105 | 1 |
| | | 27 | 99103-KTC-0350 | JET, SLOW#35 | 1 |

F-1
HEAD LIGHT /FR.VISOR



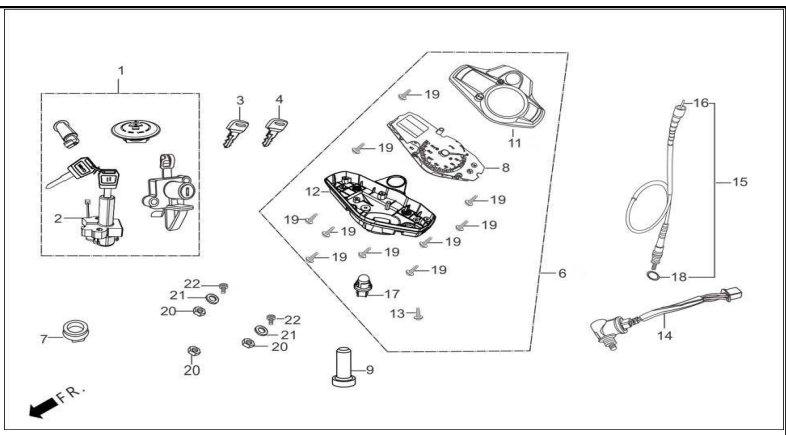
| Service Item | F.R.T. | Group Number: F-1 Model :: Passion Pro (Aug, 2015) | | | |
|---------------------------|--------|--|-----------------|----------------------------------|------|
| | | Ref No. | Part Number | Description | Req. |
| *HEAD LIGHT ASSY. | 0.1 | 1 | 3310B-AAC-20099 | LIGHT ASSY., HEAD (W/O BULB) | 1 |
| *UNIT, HEADLIGHT | | 2 | 33120-AAC-20099 | UNIT, HEAD LIGHT | 1 |
| (INC. RELATIVE PART) | | 3 | 33126-KCC-730 | RUBBER COVER | 1 |
| * * BULB, HEAD LIGHT | | 4 | 33128-GBL-000 | NUT, SPECIAL | 1 |
| * SOCKET ASSY., HEADLIGHT | 0.2 | 5 | 33130-KWA-831 | SOCKET COMP., HEAD LIGHT | 1 |
| *SOCKET ASSY., POSITION | | 6 | 33301-KVE-900 | BULB, WEDGE BASE (T10, 12V-5W) | 1 |
| * STAY HEADLIGHT BRACKET | | 7 | 34901-KSP-910 | BULB, HEAD LIGHT | 1 |
| * PLATE, FR. NUMBER | | 8 | 53209-GAH-000 | CLIP, HEADLIGHT | 2 |
| * PANEL, INNER | | 9 | 93901-44220 | SCREW, TAPPING,4X10 | 1 |
| | | 10 | 61311-AAC-200 | STAY FR. VISOR | 1 |
| | | 11 | 61312-149-300 | BOOT, HEADLIGHT BRACKET | 2 |
| | | 12 | 61314-AAC-200 | STAY WINKER | 2 |
| | | 13 | 64100-AAC-200 | SET, WIND SCREEN | 1 |
| | | 14 | 64315-AAC-220 | STAY, FRONT NUMBER PLATE | 1 |
| | | 15 | 80101-443-000 | RUBBER, RR. FENDER CUSHION | 3 |
| | | 16 | 83400-AAC-200R | SET, FR VISOR(BLK TYPE-1, NH-1) | 1 |
| | | | 83400-AAC-200S | SET, FR VISOR(BLK TYPE-2, NH-1) | 1 |
| | | | 83400-AAC-200T | SET, FR VISOR(BLK TYPE-3, NH-1) | 1 |
| | | | 83400-AAC-200U | SET, FR VISOR(SRD, R-321) | 1 |
| | | | 83400-AAC-200V | SET, FR VISOR(BYM, YL-002M) | 1 |

F-1
HEAD LIGHT /FR.VISOR



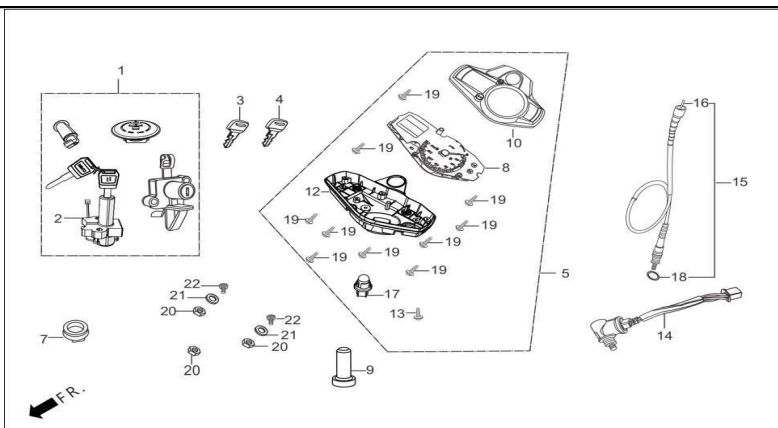
| Service Item | F.R.T. | Group Number: F-1 Model :: Passion Pro (Aug, 2015) | | | |
|--|--------|--|----------------|-----------------------------|------|
| | | Ref No. | Part Number | Description | Req. |
| *HEAD LIGHT ASSY. | 0.1 | | 83400-AAC-200W | SET, FR VISOR(FSM, NH-411M) | 1 |
| *UNIT, HEADLIGHT (INC. RELATIVE PART) | | | 83400-AAC-200X | SET, FR VISOR(PFW, NH-341P) | 1 |
| * * BULB, HEAD LIGHT | | | 83400-AAC-200Y | SET, FR VISOR(MBM, RD-018M) | 1 |
| * SOCKET ASSY., HEADLIGHT | 0.2 | 17 | 83402-AAC-220 | PANNEL, INNER | 1 |
| *SOCKET ASSY., POSITION | | 18 | 90101-GJ6-000 | BOLT, ADJUST | 1 |
| * STAY HEADLIGHT BRACKET | | 19 | 90111-147-000 | BOLT, FLANGE, 6MM | 2 |
| * PLATE, FR. NUMBER | | 20 | 90307-GJ6-000 | WASHER, LOCK, 6 MM | 1 |
| * PANEL, INNER | | 21 | 90311-KVH-900 | NUT CLIP 6 MM | 2 |
| | | 22 | 90320-GC3-000 | NUT, SPRING, M5 | 4 |
| | | 23 | 90677-KAN-961 | NUT CLIP 5MM | 2 |
| | | 24 | 91509-GE2-760 | SCREW, WASHER, 5 X 11.5 | 4 |
| | | 25 | 96001-06010-00 | BOLT FLANGE SH. 6x10 | 2 |
| | | 26 | 96001-06016-07 | BOLT, FLANGE, SH. 6 X 16 | 2 |
| | | 27 | 93903-35280 | SCREW, TAPPING, 5 X 12 | 2 |

F-2-DISC
SPEEDOMETER/CABLE/KEY SET



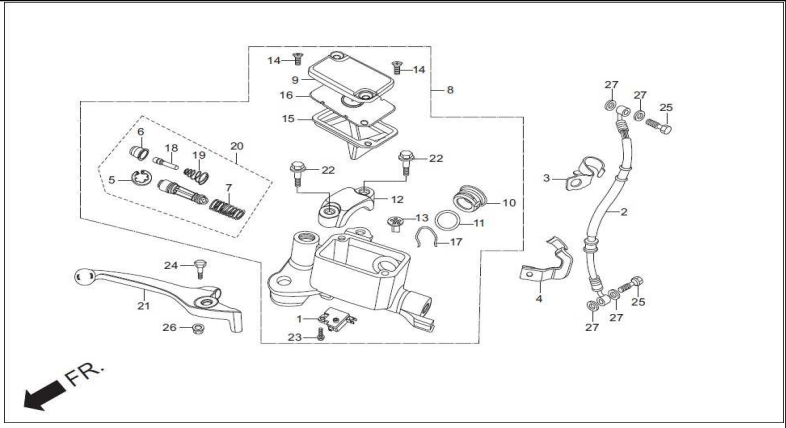
| Service Item | F.R.T. | Group Number: F-2-DISC Model :: Passion Pro (Aug, 2015) | | | |
|--|--------|---|-----------------|-------------------------|------|
| | | Ref No. | Part Number | Description | Req. |
| *HEAD LIGHT ASSY. | 0.1 | 1 | 35010-AAC-200 | KEY SET | 1 |
| *UNIT, HEADLIGHT (INC. RELATIVE PART) | | 2 | 35100-AAC-H01 | SWITCH ASSY COMB & LOCK | 1 |
| * * BULB, HEAD LIGHT | | 3 | 35121-AAC-H30 | KEY BLANK NO 1 | 1 |
| * SOCKET ASSY., HEADLIGHT | 0.2 | 4 | 35122-AAC-H30 | KEY BLANK NO 2 | 1 |
| *SOCKET ASSY., POSITION | | 6 | 37100-AAC-04099 | METER ASSY.COMB. | 1 |
| * STAY HEADLIGHT BRACKET | | 7 | 37105-KRJ-901 | CAP | 1 |
| * PLATE, FR. NUMBER | | 8 | 37210-AAC-021 | SPEEDOMETER COMP | 1 |
| * PANEL, INNER | | 9 | 37202-AAC-021 | ROD SW EXTENSION | 1 |
| | | 11 | 37211-AAC-041 | CASE UPPER ASSY | 1 |
| | | 12 | 37212-AAC-021 | CASE UNDER ASSY | 1 |
| | | 13 | 37214-KV7-671 | SCREW, TAPPING, 3 X 12 | 1 |
| | | 14 | 37700-KWA-830 | SPEED, SENSOR ASSY. | 1 |
| | | 15 | 44830-AAC-000 | CABLE COMP. SPDMT. | 1 |
| | | 16 | 44830-KWA-830A | CABLE INNER | 1 |
| | | 17 | 78135-AAC-021 | BULB SOCKET ASSY | 1 |
| | | 18 | 91352-GAZ-930 | O-RING 8.5X11.5 | 1 |
| | | 19 | 93903-22480 | SCREW TAPPING 3 X 16 | 10 |
| | | 20 | 94001-06070-05 | NUT, HEX., 6 MM | 3 |
| | | 21 | 94103-06700 | WASHER, PLAIN, 6 MM | 2 |
| | | 22 | 96700-08020-00 | BOLT SOCKET, 8 MM | 2 |

F-2-DRUM
SPEEDOMETER/CABLE/KEY SET



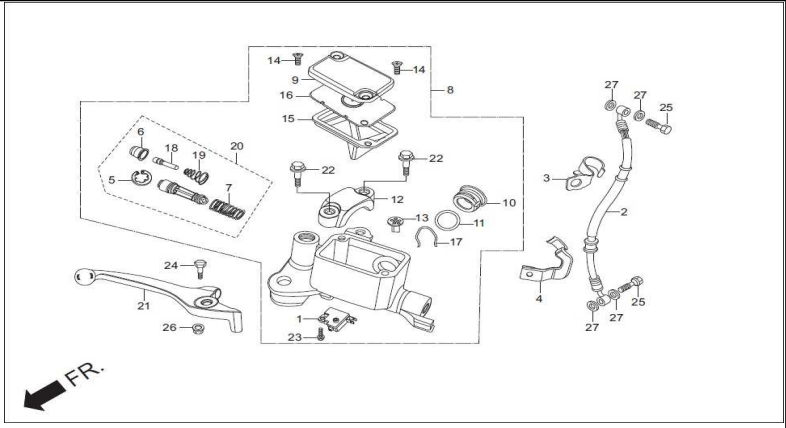
| Service Item | F.R.T. | Group Number: F-2-DRUM Model :: Passion Pro (Aug, 2015) | | | |
|--|--------|---|-----------------|-------------------------|------|
| | | Ref No. | Part Number | Description | Req. |
| *HEAD LIGHT ASSY. | 0.1 | 1 | 35010-AAC-200 | KEY SET | 1 |
| *UNIT, HEADLIGHT (INC. RELATIVE PART) | | 2 | 35100-AAC-H01 | SWITCH ASSY COMB & LOCK | 1 |
| * * BULB, HEAD LIGHT | | 3 | 35121-AAC-H30 | KEY BLANK NO 1 | 1 |
| * SOCKET ASSY., HEADLIGHT | 0.2 | 4 | 35122-AAC-H30 | KEY BLANK NO 2 | 1 |
| *SOCKET ASSY., POSITION | | 5 | 37100-AAC-02099 | METER ASSY COMB | 1 |
| * STAY HEADLIGHT BRACKET | | 7 | 37105-KRJ-901 | CAP | 1 |
| * PLATE, FR. NUMBER | | 8 | 37210-AAC-021 | SPEEDOMETER COMP | 1 |
| * PANEL, INNER | | 9 | 37202-AAC-021 | ROD SW EXTENSION | 1 |
| | | 10 | 37211-AAC-021 | CASE UPPER ASSY | 1 |
| | | 12 | 37212-AAC-021 | CASE UNDER ASSY | 1 |
| | | 13 | 37214-KV7-671 | SCREW, TAPPING, 3 X 12 | 1 |
| | | 14 | 37700-KWA-830 | SPEED, SENSOR ASSY. | 1 |
| | | 15 | 44830-AAC-000 | CABLE COMP. SPDMT. | 1 |
| | | 16 | 44830-KWA-830A | CABLE INNER | 1 |
| | | 17 | 78135-AAC-021 | BULB SOCKET ASSY | 1 |
| | | 18 | 91352-GAZ-930 | O-RING 8.5X11.5 | 1 |
| | | 19 | 93903-22480 | SCREW TAPPING 3 X 16 | 10 |
| | | 20 | 94001-06070-05 | NUT, HEX., 6 MM | 3 |
| | | 21 | 94103-06700 | WASHER, PLAIN, 6 MM | 2 |
| | | 22 | 96700-08020-00 | BOLT SOCKET, 8 MM | 2 |

F-3A-DISC-SELF
FRONT BRAKE MASTER CYL.



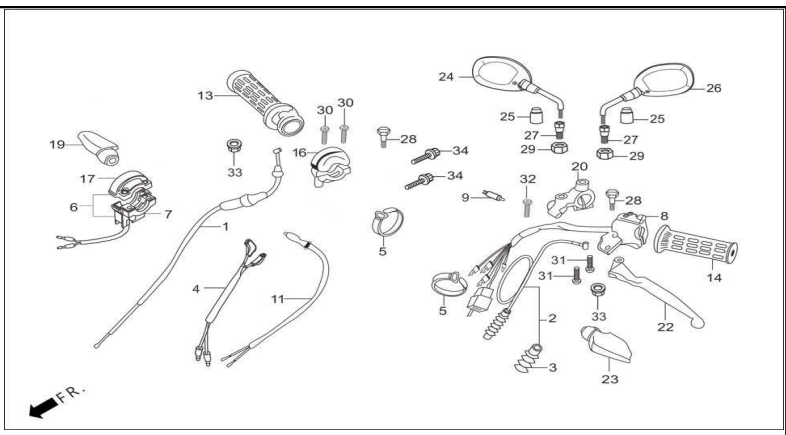
| Service Item | F.R.T. | Group Number: F-3A-DISC-SELF Model :: Passion Pro (Aug, 2015) | | | |
|-------------------------------------|--------|---|---------------|------------------------|------|
| | | Ref No. | Part Number | Description | Req. |
| * SWITCH ASSY., FR. STOP | 0.1 | 1 | 35340-KCC-841 | SW. ASSY. FR. STOP. | 1 |
| * SWITCH ASSY., FR. STOP | 0.1 | 1 | 35340-KCC-841 | SW. ASSY. FR. STOP. | 1 |
| * HOSE COMP., FR. BRAKE. | 0.4 | 2 | 45126-KCC-840 | HOSE COMP.,FR.BRAKE | 1 |
| * HOSE COMP., FR. BRAKE | 0.4 | 3 | 45155-KCC-840 | CLAMPER A FRONT BRAKE | 1 |
| * MASTER CYL. SUB. ASSY., FR. BRAKE | | 4 | 45156-KCC-840 | CLAMPER FRONT BRAKE | 1 |
| * MASTER CYL. SUB. ASSY., FR. BRAKE | | 5 | 90651-KCC-841 | CIRCLIP | 1 |
| * DIAPHRAGM | | 6 | 45504-KCC-841 | BOOT COMP. | 1 |
| * DIAPHRAGM | | 7 | 45506-KCC-841 | SPRING | 1 |
| * LEVER, 'R' STEERING HANDLE | | 8 | 45510-KVN-901 | M/C SUB ASSY, FR. BRK | 1 |
| * LEVER, 'R' STEERING HANDLE | | 9 | 45513-KCC-841 | CAP, MASTER CYLINDER | 1 |
| * CYLINDER SET, MASTER | | 10 | 45515-KVN-901 | GAUGE COMP., LEVEL | 1 |
| * CYLINDER SET, MASTER | | 11 | 45516-KCC-841 | O RING | 1 |
| | | 12 | 45517-KCC-841 | HOLDER MASTER CYLINDER | 1 |
| | | 13 | 45518-KCC-841 | SEPARATOR COMP. | 1 |
| | | 14 | 45519-KCC-841 | SCREW FLAT | 2 |
| | | 15 | 45520-KCC-841 | DIAPHRAGM | 1 |
| | | 16 | 45521-KCC-841 | PLATE, DIAPHRAGM | 1 |
| | | 17 | 45522-KCC-841 | CLIP, GAUGE | 1 |
| | | 18 | 45525-KCC-841 | PUSH ROD | 1 |
| | | 19 | 45526-KCC-841 | SPRING , PUSH ROD | 1 |
| | | 20 | 45530-KCC-841 | CYLINDER SET MASTER | 1 |

F-3A-DISC-SELF
FRONT BRAKE MASTER CYL.



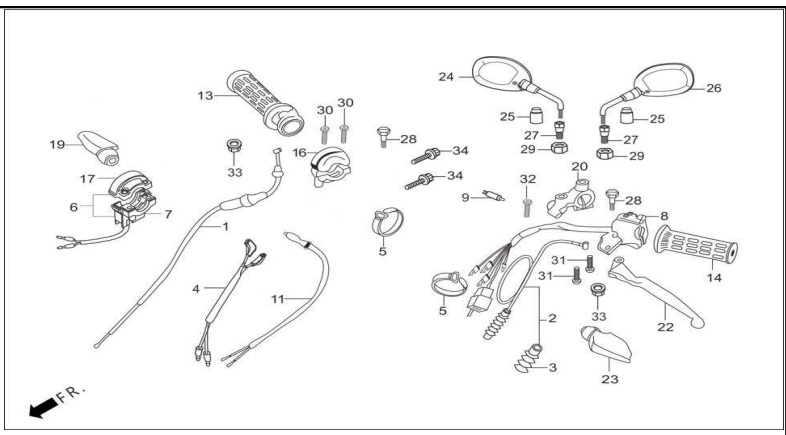
| Service Item | F.R.T. | Group Number: F-3A-DISC-SELF Model :: Passion Pro (Aug, 2015) | | | |
|-------------------------------------|--------|---|---------------|--------------------------|------|
| | | Ref No. | Part Number | Description | Req. |
| * SWITCH ASSY., FR. STOP | 0.1 | 21 | 53175-KCC-840 | LEVER RIGHT STRG. HANDLE | 1 |
| * SWITCH ASSY., FR. STOP | 0.1 | 22 | 90111-KCC-841 | BOLT,FLANGE 6 X 25 | 2 |
| * HOSE COMP., FR. BRAKE. | 0.4 | 23 | 90112-KCC-841 | SCREW,PAN,4X8 | 1 |
| * HOSE COMP., FR. BRAKE | 0.4 | 24 | 90114-KCC-841 | BOLT, HANDLE LEVER | 1 |
| * MASTER CYL. SUB. ASSY., FR. BRAKE | | 25 | 90145-MS9-610 | OIL BOLT, 10 X 22 | 2 |
| * DIAPHRAGM | | 26 | 90303-KCC-841 | NUT | 1 |
| * DIAPHRAGM | | 27 | 90545-300-000 | WASHER ,OIL BOLT | 4 |
| * LEVER, 'R' STEERING HANDLE | | | | | |
| * LEVER, 'R' STEERING HANDLE | | | | | |
| * CYLINDER SET, MASTER | | | | | |
| * CYLINDER SET, MASTER | | | | | |

F-3-DISC-SELF
HANDLE LEVER/SWITCH/CONTROL CABLE



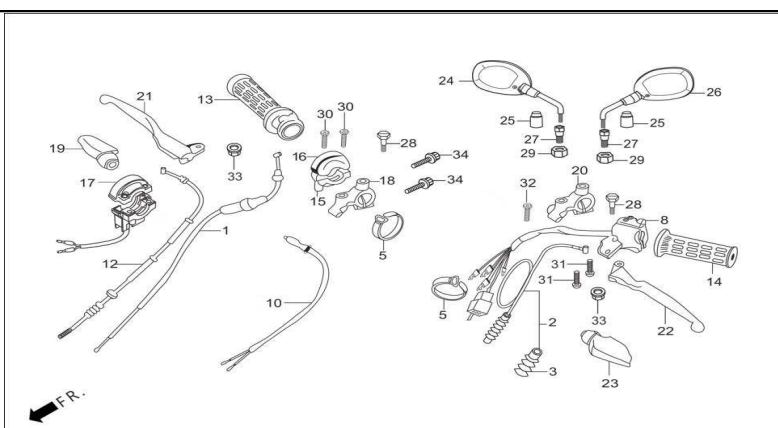
| Service Item | F.R.T. | Group Number: F-3-DISC-SELF Model :: Passion Pro (Aug, 2015) | | | |
|----------------------------|--------|--|----------------|---------------------------------|------|
| | | Ref No. | Part Number | Description | Req. |
| * CABLE COMP., THROTTLE | 0.3 | 1 | 17910-KWA-940 | CABLE COMP. THROT. | 1 |
| * CABLE COMP., CLUTCH | 0.2 | 2 | 22870-KWA-940 | CABLE COMP. CLUTCH | 1 |
| * SWITCH ASSY., WINKER | 0.5 | 3 | 22871-116-670 | BOOT, CLUTCH CABLE | 1 |
| * SWITCH ASSY., FR. STOP | -- | 4 | 32102-KCC-840 | SUB CORD | 1 |
| * CABLE COMP., FR. BRAKE | -- | 5 | 32161-404-000 | BAND B-1,WIRE | 2 |
| * GRIP COMP., ÖRÖ HANDLE | 0.6 | 6 | 35150-KWA-841 | SWITCH ASSY. START | 1 |
| * HOUSING UPPER, THROTTLE | -- | 7 | 35152-KWA-841 | SWITCH ASSY., FR. STOP | 1 |
| * HOUSING UNDER, THROTTLE | -- | 8 | 35200-AAC-211 | SWITCH ASSY., WINKER | 1 |
| * BRACKET ÖRÖ HANDLE LEVER | -- | 9 | 35330-413-003 | SW. COMP., FR. LEVER | 1 |
| * BRACKET ÖLÖ HANDLE LEVER | -- | 11 | 35340-KCC-841 | SW. ASSY. FR. STOP. | 1 |
| * COVER ÖRÖ HANDLE LEVER | -- | 13 | 53140-AAC-000 | GRIP COMP THROTTLE | 1 |
| * COVER ÖLÖ HANDLE LEVER | -- | 14 | 53166-AAC-000 | GRIP L HANDLE | 1 |
| | | 16 | 53168-166-000 | HOUSING UPPER, THROTTLE | 1 |
| | | 17 | 53168-KWA-841 | HOUSING UP., THROTTLE | 1 |
| | | 19 | 53171-KCC-900 | COVER 'R' HANDLE LEVER | 1 |
| | | 20 | 53172-KTC-920 | BRACKET, 'L' HANDLE LEVER | 1 |
| | | 22 | 53178-AAF-H00 | LEVER COMP.L STRG.HNDL. | 1 |
| | | 23 | 53179-KTC-900 | COVER 'L' HANDLE LEVER | 1 |
| | | 24 | 88110-AAC-201R | MIRROR ASSY R BACK(BLK , NH-1) | 1 |
| | | | 88110-AAC-201U | MIRROR ASSY R BACK(SRD, R-321) | 1 |

F-3-DISC-SELF
HANDLE LEVER/SWITCH/CONTROL CABLE



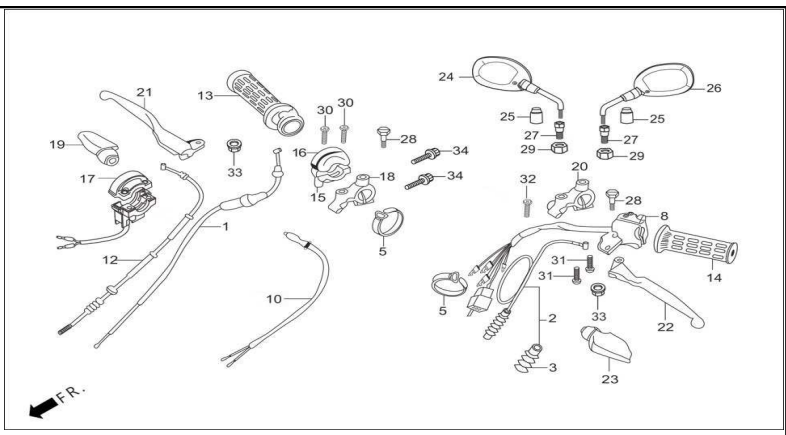
| Service Item | F.R.T. | Group Number: F-3-DISC-SELF Model :: Passion Pro (Aug, 2015) | | | |
|----------------------------|--------|--|----------------|----------------------------------|------|
| | | Ref No. | Part Number | Description | Req. |
| * CABLE COMP., THROTTLE | 0.3 | | 88110-AAC-201V | MIRROR ASSY R BACK(BYM, YL-002M) | 1 |
| * CABLE COMP., CLUTCH | 0.2 | | 88110-AAC-201W | MIRROR ASSY R BACK(FSM, NH-411M) | 1 |
| * SWITCH ASSY., WINKER | 0.5 | | 88110-AAC-201X | MIRROR ASSY R BACK(PFW, NH-341P) | 1 |
| * SWITCH ASSY., FR. STOP | -- | | 88110-AAC-201Y | MIRROR ASSY R BACK(MBM, RD-018M) | 1 |
| * CABLE COMP., FR. BRAKE | -- | | 88114-198-D10 | CAP, LOCK NUT | 2 |
| * GRIP COMP., ÖRÖ HANDLE | 0.6 | 25 | 88114-198-D10 | CAP, LOCK NUT | 2 |
| * GRIP ÖLÖ HANDLE | 0.6 | 26 | 88120-AAC-201R | MIRROR ASSY L BACK(BLK, NH-1) | 1 |
| * HOUSING UPPER, THROTTLE | -- | | 88120-AAC-201U | MIRROR ASSY L BACK(SRD, R-321) | 1 |
| * HOUSING UNDER, THROTTLE | -- | | 88120-AAC-201V | MIRROR ASSY L BACK(BYM, YL-002M) | 1 |
| * BRACKET ÖRÖ HANDLE LEVER | -- | | 88120-AAC-201W | MIRROR ASSY L BACK(FSM, NH-411M) | 1 |
| * BRACKET ÖLÖ HANDLE LEVER | -- | | 88120-AAC-201X | MIRROR ASSY L BACK(PFW, NH-341P) | 1 |
| * COVER ÖRÖ HANDLE LEVER | -- | | 88120-AAC-201Y | MIRROR ASSY L BACK(MBM, RD-018M) | 1 |
| * COVER ÖLÖ HANDLE LEVER | -- | | 88120-AAC-201Y | MIRROR ASSY L BACK(MBM, RD-018M) | 1 |
| | | 27 | 90003-KCC-840 | BOLT, ADPT.10MM | 2 |
| | | 28 | 90114-310-000 | BOLT, HANDLE LEVER PIVOT | 1 |
| | | 29 | 90201-MW3-620 | NUT, HEX., 10MM | 2 |
| | | 30 | 93500-05020-0G | SCREW, PAN, 5 X 20 | 2 |
| | | 31 | 93500-05022-1G | SCREW, PAN, 5 X 22 | 2 |
| | | 32 | 93901-22220 | TAPPING SCREW 3X10 | 1 |
| | | 33 | 94050-06000 | NUT, FLANGE, 6 MM | 2 |
| | | 34 | 96001-06025-07 | BOLT, FLANGE, SH. 6 X 25 | 2 |

F-3-DRUM-KICK
HANDLE LEVER/SWITCH/CONTROL CABLE



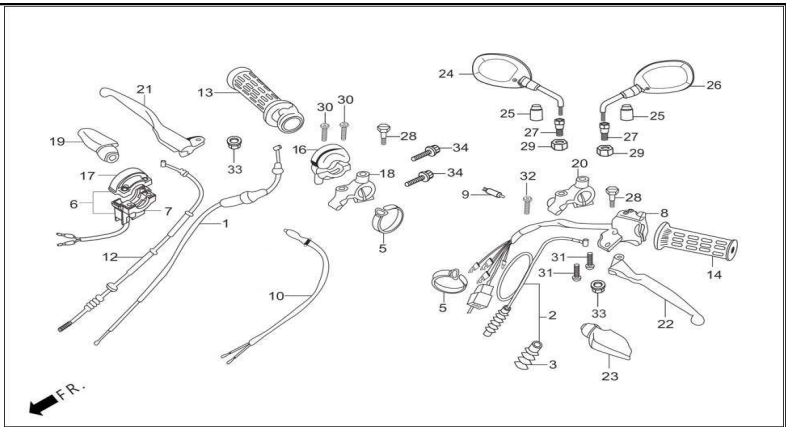
| Service Item | F.R.T. | Group Number: F-3-DRUM-KICK Model :: Passion Pro (Aug, 2015) | | | |
|----------------------------|--------|--|----------------|---------------------------------|------|
| | | Ref No. | Part Number | Description | Req. |
| * CABLE COMP., THROTTLE | 0.3 | 1 | 17910-KWA-940 | CABLE COMP. THROT. | 1 |
| * CABLE COMP., CLUTCH | 0.2 | 2 | 22870-KWA-940 | CABLE COMP. CLUTCH | 1 |
| * SWITCH ASSY., WINKER | 0.5 | 3 | 22871-116-670 | BOOT, CLUTCH CABLE | 1 |
| * SWITCH ASSY., FR. STOP | -- | 5 | 32161-404-000 | BAND B-1,WIRE | 2 |
| * CABLE COMP., FR. BRAKE | -- | 8 | 35200-AAC-201 | SWITCH ASSY., WINKER | 1 |
| * GRIP COMP., ÖRÖ HANDLE | 0.6 | 10 | 35340-KCC-900 | SWITCH ASSY., FR. STOP | 1 |
| * HOUSING UPPER, THROTTLE | -- | 12 | 45450-AAD-000 | CABLE COMP FR BRAKE | 1 |
| * HOUSING UNDER, THROTTLE | -- | 13 | 53140-AAC-000 | GRIP COMP THROTTLE | 1 |
| * BRACKET ÖRÖ HANDLE LEVER | -- | 14 | 53166-AAC-000 | GRIP L HANDLE | 1 |
| * BRACKET ÖLÖ HANDLE LEVER | -- | 15 | 53167-GE4-000 | HOUSING UNDER,THROTTLE | 1 |
| * COVER ÖRÖ HANDLE LEVER | -- | 16 | 53168-166-000 | HOUSING UPPER, THROTTLE | 1 |
| * COVER ÖLÖ HANDLE LEVER | -- | 17 | 53168-KWA-841 | HOUSING UP., THROTTLE | 1 |
| | | 18 | 53173-KTR-A20 | BRACKET., R. HANDLE LEVER | 1 |
| | | 19 | 53171-KCC-900 | COVER 'R' HANDLE LEVER | 1 |
| | | 20 | 53172-KTC-920 | BRACKET, 'L' HANDLE LEVER | 1 |
| | | 21 | 53175-AAF-H00 | LEVER COMP.R STRG.HNDL. | 1 |
| | | 22 | 53178-AAF-H00 | LEVER COMP.L STRG.HNDL. | 1 |
| | | 23 | 53179-KTC-900 | COVER 'L' HANDLE LEVER | 1 |
| | | 24 | 88110-AAC-201R | MIRROR ASSY R BACK(BLK , NH-1) | 1 |
| | | | 88110-AAC-201U | MIRROR ASSY R BACK(SRD, R-321) | 1 |

F-3-DRUM-KICK
HANDLE LEVER/SWITCH/CONTROL CABLE



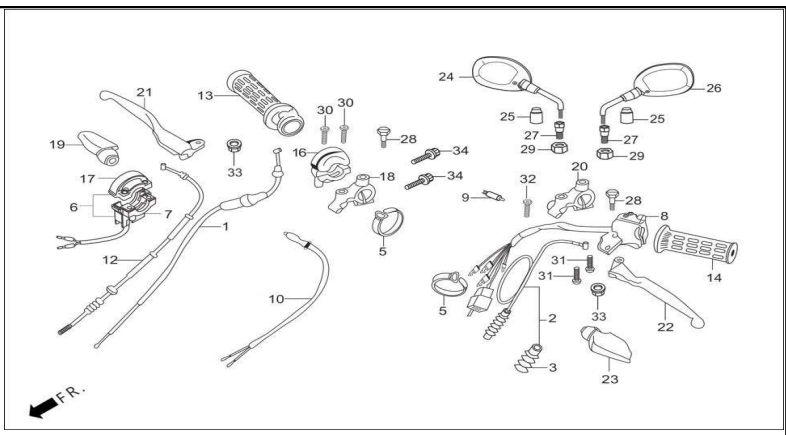
| Service Item | F.R.T. | Group Number: F-3-DRUM-KICK Model :: Passion Pro (Aug, 2015) | | | |
|----------------------------|--------|--|----------------|----------------------------------|------|
| | | Ref No. | Part Number | Description | Req. |
| * CABLE COMP., THROTTLE | 0.3 | | 88110-AAC-201V | MIRROR ASSY R BACK(BYM, YL-002M) | 1 |
| * CABLE COMP., CLUTCH | 0.2 | | 88110-AAC-201W | MIRROR ASSY R BACK(FSM, NH-411M) | 1 |
| * SWITCH ASSY., WINKER | 0.5 | | 88110-AAC-201X | MIRROR ASSY R BACK(PFW, NH-341P) | 1 |
| * SWITCH ASSY., FR. STOP | -- | | 88110-AAC-201Y | MIRROR ASSY R BACK(MBM, RD-018M) | 1 |
| * CABLE COMP., FR. BRAKE | -- | | 88114-198-D10 | CAP, LOCK NUT | 2 |
| * GRIP COMP., ÖRÖ HANDLE | 0.6 | 25 | 88114-198-D10 | CAP, LOCK NUT | 2 |
| * GRIP ÖLÖ HANDLE | 0.6 | 26 | 88120-AAC-201R | MIRROR ASSY L BACK(BLK, NH-1) | 1 |
| * HOUSING UPPER, THROTTLE | -- | | 88120-AAC-201U | MIRROR ASSY L BACK(SRD, R-321) | 1 |
| * HOUSING UNDER, THROTTLE | -- | | 88120-AAC-201V | MIRROR ASSY L BACK(BYM, YL-002M) | 1 |
| * BRACKET ÖRÖ HANDLE LEVER | -- | | 88120-AAC-201W | MIRROR ASSY L BACK(FSM, NH-411M) | 1 |
| * BRACKET ÖLÖ HANDLE LEVER | -- | | 88120-AAC-201X | MIRROR ASSY L BACK(PFW, NH-341P) | 1 |
| * COVER ÖRÖ HANDLE LEVER | -- | | 88120-AAC-201Y | MIRROR ASSY L BACK(MBM, RD-018M) | 1 |
| * COVER ÖLÖ HANDLE LEVER | -- | | 88120-AAC-201Y | MIRROR ASSY L BACK(MBM, RD-018M) | 1 |
| | | 27 | 90003-KCC-840 | BOLT, ADPT.10MM | 2 |
| | | 28 | 90114-310-000 | BOLT, HANDLE LEVER PIVOT | 2 |
| | | 29 | 90201-MW3-620 | NUT, HEX., 10MM | 2 |
| | | 30 | 93500-05020-0G | SCREW, PAN, 5 X 20 | 2 |
| | | 31 | 93500-05022-1G | SCREW, PAN, 5 X 22 | 2 |
| | | 32 | 93901-22220 | TAPPING SCREW 3X10 | 1 |
| | | 33 | 94050-06000 | NUT, FLANGE, 6 MM | 2 |
| | | 34 | 96001-06025-07 | BOLT, FLANGE, SH. 6 X 25 | 2 |

F-3-DRUM-SELF
HANDLE LEVER/SWITCH/CONTROL CABLE



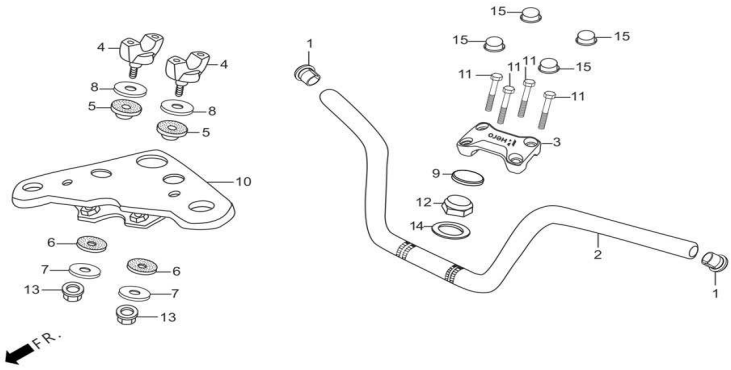
| Service Item | F.R.T. | Group Number: F-3-DRUM-SELF Model :: Passion Pro (Aug, 2015) | | | |
|----------------------------|--------|--|---------------|---------------------------|------|
| | | Ref No. | Part Number | Description | Req. |
| * CABLE COMP., THROTTLE | 0.3 | 1 | 17910-KWA-940 | CABLE COMP. THROT. | 1 |
| * CABLE COMP., CLUTCH | 0.2 | 2 | 22870-KWA-940 | CABLE COMP. CLUTCH | 1 |
| * SWITCH ASSY., WINKER | 0.5 | 3 | 22871-116-670 | BOOT, CLUTCH CABLE | 1 |
| * SWITCH ASSY., FR. STOP | -- | 5 | 32161-404-000 | BAND B-1,WIRE | 2 |
| * CABLE COMP., FR. BRAKE | -- | 6 | 35150-KWA-841 | SWITCH ASSY. START | 1 |
| * GRIP COMP., ÖRÖ HANDLE | 0.6 | 7 | 35152-KWA-841 | SWITCH ASSY., FR. STOP | 1 |
| * HOUSING UPPER, THROTTLE | -- | 8 | 35200-AAC-211 | SWITCH ASSY., WINKER | 1 |
| * HOUSING UNDER, THROTTLE | -- | 9 | 35330-413-003 | SW. COMP., FR. LEVER | 1 |
| * BRACKET ÖRÖ HANDLE LEVER | -- | 10 | 35340-KCC-900 | SWITCH ASSY., FR. STOP | 1 |
| * BRACKET ÖLÖ HANDLE LEVER | -- | 12 | 45450-AAD-000 | CABLE COMP FR BRAKE | 1 |
| * COVER ÖRÖ HANDLE LEVER | -- | 13 | 53140-AAC-000 | GRIP COMP THROTTLE | 1 |
| * COVER ÖLÖ HANDLE LEVER | -- | 14 | 53166-AAC-000 | GRIP L HANDLE | 1 |
| | | 16 | 53168-166-000 | HOUSING UPPER, THROTTLE | 1 |
| | | 17 | 53168-KWA-841 | HOUSING UP., THROTTLE | 1 |
| | | 18 | 53173-AAC-200 | BRACKET 'R' HANDLE LEVER | 1 |
| | | 19 | 53171-KCC-900 | COVER 'R' HANDLE LEVER | 1 |
| | | 20 | 53172-KTC-920 | BRACKET, 'L' HANDLE LEVER | 1 |
| | | 21 | 53175-AAF-H00 | LEVER COMP.R STRG.HNDL. | 1 |
| | | 22 | 53178-AAF-H00 | LEVER COMP.L STRG.HNDL. | 1 |
| | | 23 | 53179-KTC-900 | COVER 'L' HANDLE LEVER | 1 |

F-3-DRUM-SELF
HANDLE LEVER/SWITCH/CONTROL CABLE



| Service Item | F.R.T. | Group Number: F-3-DRUM-SELF Model :: Passion Pro (Aug, 2015) | | | |
|----------------------------|--------|--|----------------|----------------------------------|-----------------|
| | | Ref No. | Part Number | Description | Req. |
| * CABLE COMP., THROTTLE | 0.3 | 24 | 88110-AAC-201R | MIRROR ASSY R BACK(BLK , NH-1) | 1 |
| * CABLE COMP., CLUTCH | 0.2 | | 88110-AAC-201U | MIRROR ASSY R BACK(SRD, R-321) | 1 |
| * SWITCH ASSY., WINKER | 0.5 | | 88110-AAC-201V | MIRROR ASSY R BACK(BYM, YL-002M) | 1 |
| * SWITCH ASSY., FR. STOP | -- | | 88110-AAC-201W | MIRROR ASSY R BACK(FSM, NH-411M) | 1 |
| * CABLE COMP., FR. BRAKE | -- | | 88110-AAC-201X | MIRROR ASSY R BACK(PFW, NH-341P) | 1 |
| * GRIP COMP., ÖRÖ HANDLE | 0.6 | | 88110-AAC-201Y | MIRROR ASSY R BACK(MBM, RD-018M) | 1 |
| * GRIP ÖLÖ HANDLE | 0.6 | 25 | 88114-198-D10 | CAP, LOCK NUT | 2 |
| * HOUSING UPPER, THROTTLE | -- | | 88120-AAC-201R | MIRROR ASSY L BACK(BLK , NH-1) | 1 |
| * HOUSING UNDER, THROTTLE | -- | 26 | 88120-AAC-201U | MIRROR ASSY L BACK(SRD, R-321) | 1 |
| * BRACKET ÖRÖ HANDLE LEVER | -- | | 88120-AAC-201V | MIRROR ASSY L BACK(BYM, YL-002M) | 1 |
| * BRACKET ÖLÖ HANDLE LEVER | -- | | 88120-AAC-201W | MIRROR ASSY L BACK(FSM, NH-411M) | 1 |
| * COVER ÖRÖ HANDLE LEVER | -- | | 88120-AAC-201X | MIRROR ASSY L BACK(PFW, NH-341P) | 1 |
| * COVER ÖLÖ HANDLE LEVER | -- | | 88120-AAC-201Y | MIRROR ASSY L BACK(MBM, RD-018M) | 1 |
| | | | 27 | 90003-KCC-840 | BOLT, ADPT.10MM |
| | | 28 | 90114-310-000 | BOLT, HANDLE LEVER PIVOT | 2 |
| | | 29 | 90201-MW3-620 | NUT, HEX., 10MM | 2 |
| | | 30 | 93500-05020-0G | SCREW, PAN, 5 X 20 | 2 |
| | | 31 | 93500-05022-1G | SCREW, PAN, 5 X 22 | 2 |
| | | 32 | 93901-22220 | TAPPING SCREW 3X10 | 1 |
| | | 33 | 94050-06000 | NUT, FLANGE, 6 MM | 2 |
| | | 34 | 96001-06025-07 | BOLT, FLANGE, SH. 6 X 25 | 2 |

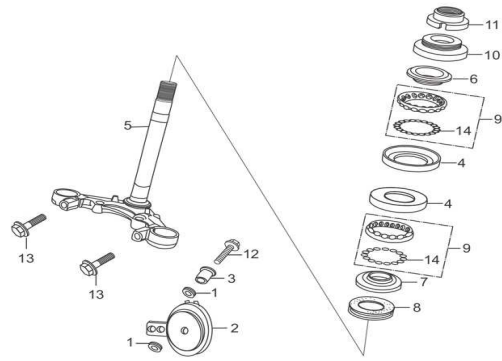
F-4
HANDLE PIPE/TOP BRIDGE



| Service Item | F.R.T. | Group Number: F-4 Model :: Passion Pro (Aug, 2015) | | | |
|---|--------|--|---------------|--------------------------------|------|
| | | Ref No. | Part Number | Description | Req. |
| * PIPE, STEERING HANDLE | 0.5 | 1 | 53100-AAC-000 | PIPE STRG HANDLE | 1 |
| * BRIDGE COMP., FORK TOP | | 2 | 53105-KRC-900 | END STRG. HANDLE | 2 |
| * HOLDER, HANDLE PIPE UNDER (ADD 0.1 FOR EACH) | 0.2 | 3 | 53131-AAC-H00 | HOLDER HANDLE UPPER | 1 |
| | | 4 | 53132-124-000 | HOLDER, HANDLE PIPE UNDER | 2 |
| | | 5 | 53133-198-900 | RUBBER, HANDLE CUSHION UPPER | 2 |
| | | 6 | 53134-028-000 | RUBBER, HANDLE CUSHION UNDER | 2 |
| | | 7 | 53135-198-900 | WASHER, HANDLE CUSHION | 2 |
| | | 8 | 53136-198-900 | PLATE, HANDLE CUSHION | 2 |
| | | 9 | 53208-AAH-000 | CAP STRG. STEM | 1 |
| | | 10 | 53230-KST-950 | BRIDGE COMP., FORK TOP | 1 |
| | | 11 | 90102-KVN-900 | BOLT, SP. FLANGE SOCKET 6 X 22 | 4 |
| | | 12 | 90304-AAH-000 | NUT STRG. STEM | 1 |
| | | 13 | 90304-KST-942 | NUT FLG.PT 10MM | 2 |
| | | 14 | 90503-KTR-900 | WASHER, STEERING STEM | 1 |
| | | 15 | 91455-MG8-000 | CAP, SOC BOLT 6 MM | 4 |

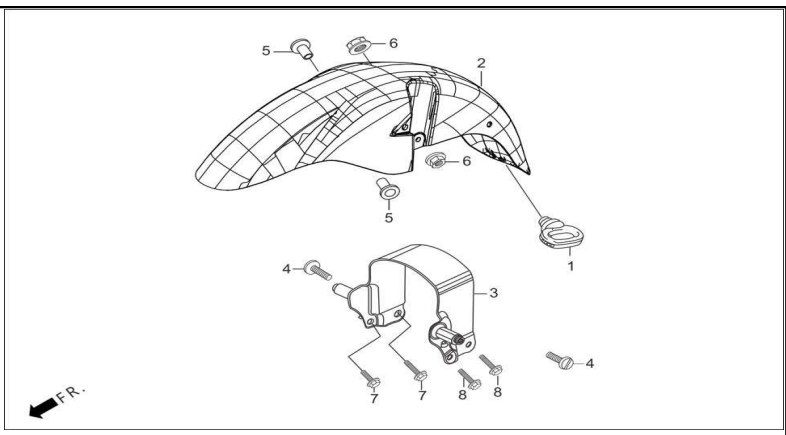
F-5
STEERING STEM/HORN

← F.R.



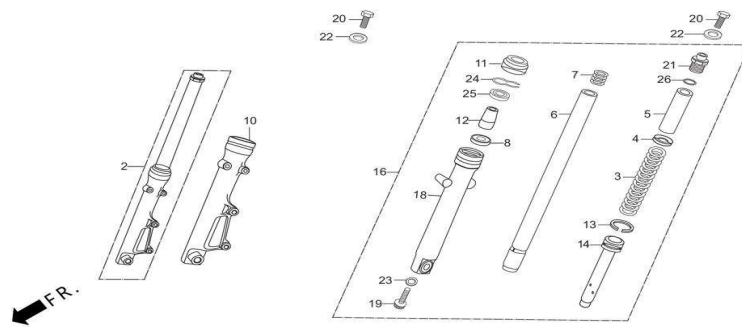
| Service Item | F.R.T. | Group Number: F-5 Model :: Passion Pro (Aug, 2015) | | | |
|---|--------|--|----------------|------------------------------|------|
| | | Ref No. | Part Number | Description | Req. |
| * PIPE, STEERING HANDLE | 0.5 | 1 | 33714-KL3-620 | RUBBER, TAIL LIGHT | 2 |
| * BRIDGE COMP., FORK TOP | | 2 | 38110-KWA-931 | HORN COMP., | 1 |
| * HOLDER, HANDLE PIPE UNDER (ADD 0.1 FOR EACH) | 0.2 | 3 | 38117-KFE-701 | COLLAR, HORN SET | 1 |
| | | 4 | 50301-KTR-900 | RACE, STEERING BALL | 2 |
| | | 5 | 53200-AAD-000 | STEM COMP STRG | 1 |
| | | 6 | 53211-268-010 | RACE, STEERING TOP CONE | 1 |
| | | 7 | 53212-200-000 | RACE, STEERING BOTTOM CONE | 1 |
| | | 8 | 53214-200-000 | DUST SEAL, STEERING HEAD | 1 |
| | | 9 | 53215-KTR-900 | BALL, ASSY. STEERING | 2 |
| | | 10 | 53221-KTR-900 | THREAD, STEERING HEAD TOP | 1 |
| | | 11 | 53222-KTR-900 | MUD GUARD, STEERING HEAD TOP | 1 |
| | | 12 | 95701-06020-07 | BOLT, FLANGE, 6 X 20 | 1 |
| | | 13 | 95701-08040-00 | BOLT, FLANGE, 8 X 40 | 2 |
| | | 14 | 96211-08000 | BALL STEEL 8 MM | 32 |

F-6
FRONT FENDER



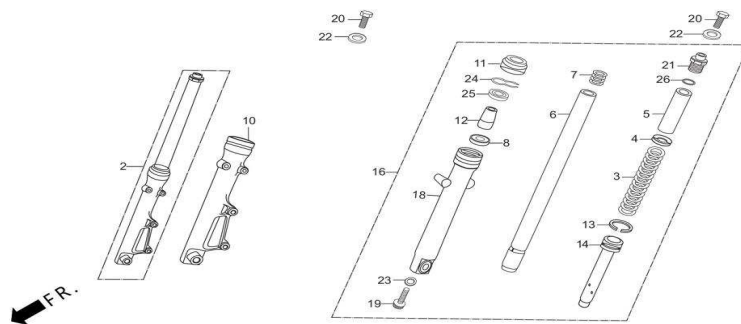
| Service Item | F.R.T. | Group Number: F-6 Model :: Passion Pro (Aug, 2015) | | | |
|-----------------|----------------|--|------|--|--|
| Ref No. | Part Number | Description | Req. | | |
| * FENDER, FRONT | 0.2 | | | | |
| 1 | 45451-KCC-900 | GUIDE, FR. FENDER CABLE | 1 | | |
| 2 | 61101-AAC-220R | SET, FR FENDER(BLK, NH-1) | 1 | | |
| | 61101-AAC-220U | SET, FR FENDER(SRD, R-321) | 1 | | |
| | 61101-AAC-220V | SET, FR FENDER(BYM, YL-002M) | 1 | | |
| | 61101-AAC-220W | SET, FR FENDER(FSM, NH-411M) | 1 | | |
| | 61101-AAC-220X | SET, FR FENDER(PFW, NH-341P) | 1 | | |
| | 61101-AAC-220Y | SET, FR FENDER(MBM, RD-018M) | 1 | | |
| 3 | 61102-KWA-910 | PLATE, FRONT FENDER | 1 | | |
| 4 | 90104-KCC-870 | SCREW, SPECIAL , 6 X 12 | 2 | | |
| 5 | 90501-KCC-870 | COLLAR, FR. FENDER SET | 2 | | |
| 6 | 94050-06000 | NUT, FLANGE, 6 MM | 2 | | |
| 7 | 95701-06012-08 | BOLT, FLANGE, 6 X 12 | 2 | | |
| 8 | 95701-06020-00 | BOLT, FLANGE, 6X20 | 2 | | |

F-7-DISC
FRONT FORK



| Service Item | F.R.T. | Group Number: F-7-DISC Model :: Passion Pro (Aug, 2015) | | | |
|--|-----------|---|---------------|----------------------------|------|
| | | Ref No. | Part Number | Description | Req. |
| * FORK ASSY., FR . (ADD 0.2 FOR EACH) | 0.5 -- | 2 | 51400-KWA-971 | FORK ASSY., 'R' FRONT | 1 |
| * SPRING, FR. CUSHION (ADD 0.2 FOR EACH) | -- | 3 | 51401-KST-941 | SPRING, FR. CUSHION | 2 |
| * PIPE COMP., FR. FORK (ADD 0.5 FOR EACH) | -- | 4 | 51403-447-730 | JOINT, SPRING | 2 |
| * CASE FR. BOTTOM (ADD 0.5 FOR EACH) | 0.8 -- | 5 | 51403-KCC-900 | COLLAR, SPRING | 2 |
| | | 6 | 51410-KWA-941 | PIPE COMP. FR. FORK | 2 |
| | | 7 | 51412-KAG-900 | SPRING, REBOUND | 2 |
| | | 8 | 51412-KWA-941 | RING BACKUP | 2 |
| | | 10 | 51420-KWA-971 | CASE COMP. R FRONT | 1 |
| | | 11 | 51425-KST-901 | SEAL, DUST | 2 |
| | | 12 | 51432-KST-901 | PIECE, OIL LOCK | 2 |
| | | 13 | 51437-KVN-901 | RING, PISTON | 2 |
| | | 14 | 51440-KTR-901 | PIPE, SEAT | 2 |
| | | 16 | 51500-KWA-971 | FORK ASSY., 'L' FRONT | 1 |
| | | 18 | 51520-KWA-971 | CASE COMP. L. FRONT BOTTOM | 1 |
| | | 19 | 90116-KAG-900 | BOLT, SOCKET, 8 MM | 2 |
| | | 20 | 90123-KRM-860 | BOLT, FR. FORK | 1 |
| | | 21 | 90123-KST-941 | BOLT, 'A' FR. FORK | 2 |
| | | 22 | 90521-292-000 | WASHER, PLAIN, 10.3 MM | 1 |
| | | 23 | 90544-439-930 | WASHER, SPECIAL, 8 MM | 2 |
| | | 24 | 90601-GF5-730 | RING, OIL SEAL STOPPER | 2 |

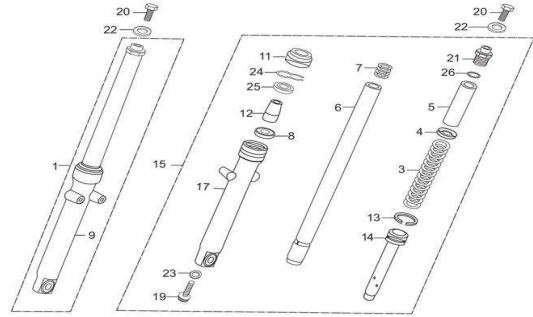
F-7-DISC
FRONT FORK



| Service Item | F.R.T. | Group Number: F-7-DISC Model :: Passion Pro (Aug, 2015) | | | |
|--|-----------|---|---------------|-------------------|------|
| | | Ref No. | Part Number | Description | Req. |
| * FORK ASSY., FR . (ADD 0.2 FOR EACH) | 0.5 -- | 25 | 91255-KWA-941 | SEAL OIL 30×42×11 | 2 |
| * SPRING, FR. CUSHION (ADD 0.2 FOR EACH) | -- -- | 26 | 91356-KAG-900 | O - RING | 2 |
| * PIPE COMP., FR. FORK (ADD 0.5 FOR EACH) | 0.8 -- | | | | |
| * CASE FR. BOTTOM (ADD 0.5 FOR EACH) | 0.9 -- | | | | |

F-7-DRUM
FRONT FORK

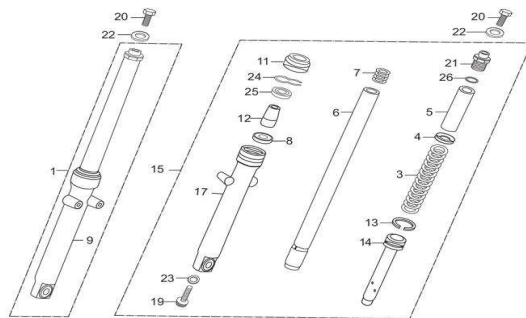
← F.R.



| Service Item | F.R.T. | Group Number: F-7-DRUM Model :: Passion Pro (Aug, 2015) | | | |
|--|-----------|---|---------------|----------------------------|------|
| | | Ref No. | Part Number | Description | Req. |
| * FORK ASSY., FR . (ADD 0.2 FOR EACH) | 0.5 -- | 1 | 51400-KWA-941 | FORK ASSY., 'R' FRONT | 1 |
| * SPRING, FR. CUSHION (ADD 0.2 FOR EACH) | -- | 3 | 51401-KST-941 | SPRING, FR. CUSHION | 2 |
| * PIPE COMP., FR. FORK (ADD 0.5 FOR EACH) | -- | 4 | 51403-447-730 | JOINT, SPRING | 2 |
| * CASE FR. BOTTOM (ADD 0.5 FOR EACH) | 0.8 -- | 5 | 51403-KCC-900 | COLLAR, SPRING | 2 |
| | | 6 | 51410-KWA-941 | PIPE COMP. FR. FORK | 2 |
| | | 7 | 51412-KAG-900 | SPRING, REBOUND | 2 |
| | | 8 | 51412-KWA-941 | RING BACKUP | 2 |
| | | 9 | 51420-KWA-941 | CASE COMP. R, FRONT BOTTOM | 1 |
| | | 11 | 51425-KST-901 | SEAL, DUST | 2 |
| | | 12 | 51432-KST-901 | PIECE, OIL LOCK | 2 |
| | | 13 | 51437-KVN-901 | RING, PISTON | 2 |
| | | 14 | 51440-KTR-901 | PIPE, SEAT | 2 |
| | | 15 | 51500-KWA-941 | FORK ASSY., 'L' FRONT | 1 |
| | | 17 | 51520-KWA-941 | CASE COMP. L, FRONT BOTTOM | 1 |
| | | 19 | 90116-KAG-900 | BOLT, SOCKET, 8 MM | 2 |
| | | 20 | 90123-KRM-860 | BOLT, FR. FORK | 1 |
| | | 21 | 90123-KST-941 | BOLT, 'A' FR. FORK | 2 |
| | | 22 | 90521-292-000 | WASHER, PLAIN, 10.3 MM | 1 |
| | | 23 | 90544-439-930 | WASHER, SPECIAL, 8 MM | 2 |
| | | 24 | 90601-GF5-730 | RING, OIL SEAL STOPPER | 2 |

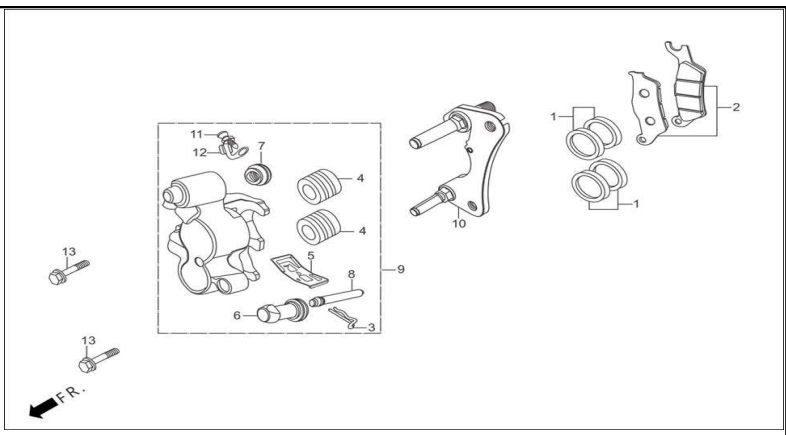
F-7-DRUM
FRONT FORK

FR.



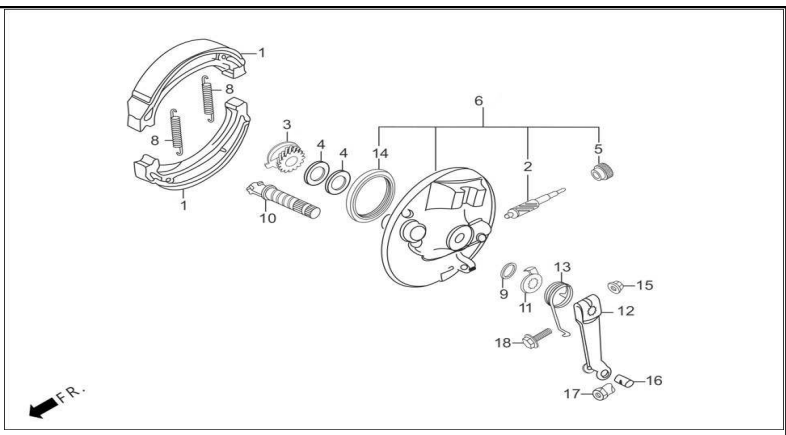
| Service Item | F.R.T. | Group Number: F-7-DRUM Model :: Passion Pro (Aug, 2015) | | | |
|------------------------|--------|---|---------------|-------------------|------|
| | | Ref No. | Part Number | Description | Req. |
| * FORK ASSY., FR . | 0.5 | | | | |
| (ADD 0.2 FOR EACH) | -- | 25 | 91255-KWA-941 | SEAL OIL 30×42×11 | 2 |
| * SPRING, FR. CUSHION | -- | 26 | 91356-KAG-900 | O - RING | 2 |
| (ADD 0.2 FOR EACH) | -- | | | | |
| * PIPE COMP., FR. FORK | 0.8 | | | | |
| (ADD 0.5 FOR EACH) | -- | | | | |
| * CASE FR. BOTTOM | 0.9 | | | | |
| (ADD 0.5 FOR EACH) | -- | | | | |

F-8A-DISC-CAST
CALIPER ASSY. 'R' FR.



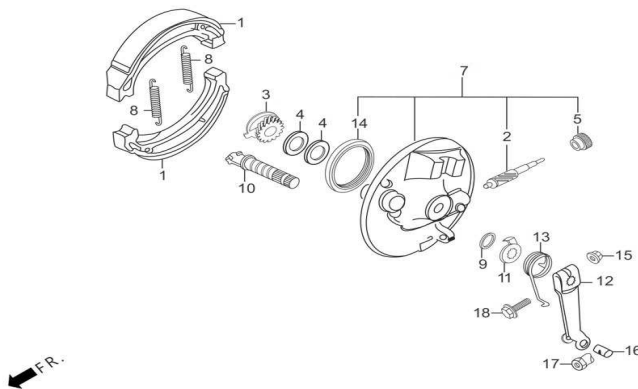
| Service Item | F.R.T. | Group Number: F-8A-DISC-CAST Model :: Passion Pro (Aug, 2015) | | | |
|--|--------|---|---------------|---------------------------|------|
| | | Ref No. | Part Number | Description | Req. |
| * GEAR, SPEEDOMETER | 0.3 | | | | |
| * PINION, SPEEDOMETER | 0.6 | | | | |
| * PANEL SUB COMP., FR. BRAKE (INC. RELATIVE PART) | 0.4 | 1 | 06451-KCC-841 | SEAL SET, PISTON | 2 |
| | | 2 | 06455-KCC-841 | PAD SET, FRONT | 1 |
| | | 3 | 43216-MAK-003 | CLIP | 1 |
| * SHOE COMP., BRAKE (ONE OR ALL) | | 4 | 45107-KCC-841 | PISTON, 26 | 2 |
| | | 5 | 45108-KCC-841 | PAD, SPRING | 1 |
| * ARM. FR. BRAKE (INC. RELATIVE PART) | 0.1 | 6 | 45132-KCC-841 | BUSH, BOOT PIN | 1 |
| | | 7 | 45133-KCC-841 | BOOT, 'B' | 1 |
| | | 8 | 45220-KCC-841 | PIN COMP., HANGER | 1 |
| | | 9 | 45250-KCC-841 | CALIPER SUB ASSY., 'R' FR | 1 |
| | | 10 | 45290-KCC-841 | BRKT. SUB ASSY., 'R' FR | 1 |
| | | 11 | 45352-KCC-841 | SCREW, BLEEDER | 1 |
| | | 12 | 45353-KCC-841 | CAP, BLEEDER | 1 |
| | | 13 | 90155-KY4-900 | BOLT, FLANGE, 8 X 25 | 2 |

F-8-DRUM-CAST
FRONT BRAKE PANEL



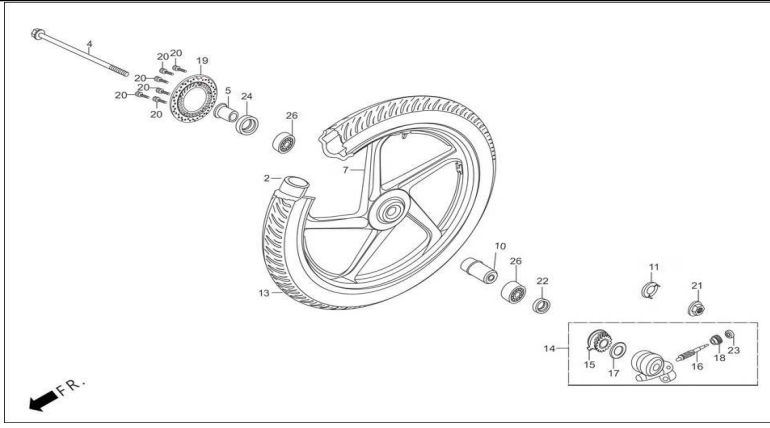
| Service Item | F.R.T. | Group Number: F-8-DRUM-CAST Model :: Passion Pro (Aug, 2015) | | | |
|--|--------|--|----------------|--------------------------|------|
| | | Ref No. | Part Number | Description | Req. |
| * GEAR, SPEEDOMETER | 0.3 | 1 | 43125-KTN-701 | SHOE COMP., BRAKE | 2 |
| * PINION, SPEEDOMETER | 0.6 | 2 | 44805-KTC-900 | PINION, SPEEDOMETER | 1 |
| * PANEL SUB COMP., FR. BRAKE (INC. RELATIVE PART) | 0.4 | 3 | 44806-KST-900 | GEAR, SPEEDOMETER | 1 |
| * SHOE COMP., BRAKE (ONE OR ALL) | | 4 | 44809-170-000 | WASHER, SPEEDOMETER GEAR | 2 |
| | | 5 | 44810-KTC-900 | BUSH, PINION | 1 |
| * ARM, FR. BRAKE (INC. RELATIVE PART) | 0.1 | 6 | 45010-AAC-030 | PANEL SUB FRONT BRAKE | 1 |
| | | 8 | 45133-KCC-900 | SPRING, FR. BRAKE SHOE | 2 |
| | | 9 | 45134-250-000 | DUST SEAL, BRAKE CAM | 1 |
| | | 10 | 45141-KTC-900 | CAM FR. BRAKE | 1 |
| | | 11 | 45145-096-650 | INDICATOR, FR. BRAKE | 1 |
| | | 12 | 45410-KTR-A20 | ARM, FR. BRAKE | 1 |
| | | 13 | 45435-GB2-720 | SPRING, BRAKE ARM RETURN | 1 |
| | | 14 | 91251-GK4-000 | OIL SEAL, 47X60X7 | 1 |
| | | 15 | 94050-06000 | NUT, FLANGE, 6 MM | 1 |
| | | 16 | 95015-32001 | JOINT 'B' BRAKE ARM | 1 |
| | | 17 | 95015-42000 | NUT B ADJUST | 1 |
| | | 18 | 95701-06032-00 | BOLT, FLANGE, 6 X 32 | 1 |

F-8-DRUM-SPOKE
FRONT BRAKE PANEL



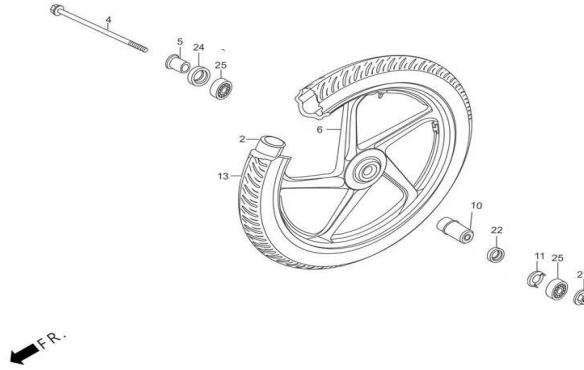
| Service Item | F.R.T. | Group Number: F-8-DRUM-SPOKE Model :: Passion Pro (Aug, 2015) | | | |
|--|--------|---|----------------|----------------------------|------|
| | | Ref No. | Part Number | Description | Req. |
| * GEAR, SPEEDOMETER | 0.3 | 1 | 43125-KTN-701 | SHOE COMP., BRAKE | 2 |
| * PINION, SPEEDOMETER | 0.6 | 2 | 44805-KTC-900 | PINION, SPEEDOMETER | 1 |
| * PANEL SUB COMP., FR. BRAKE (INC. RELATIVE PART) | 0.4 | 3 | 44806-KST-900 | GEAR, SPEEDOMETER | 1 |
| * SHOE COMP., BRAKE (ONE OR ALL) | | 4 | 44809-170-000 | WASHER, SPEEDOMETER GEAR | 2 |
| | | 5 | 44810-KTC-900 | BUSH, PINION | 1 |
| * ARM, FR. BRAKE (INC. RELATIVE PART) | 0.1 | 7 | 45010-AAC-020 | PANEL SUB COMP FRONT BRAKE | 1 |
| | | 8 | 45133-KCC-900 | SPRING, FR. BRAKE SHOE | 2 |
| | | 9 | 45134-250-000 | DUST SEAL, BRAKE CAM | 1 |
| | | 10 | 45141-KTC-900 | CAM FR. BRAKE | 1 |
| | | 11 | 45145-096-650 | INDICATOR, FR. BRAKE | 1 |
| | | 12 | 45410-KTR-A20 | ARM, FR. BRAKE | 1 |
| | | 13 | 45435-GB2-720 | SPRING, BRAKE ARM RETURN | 1 |
| | | 14 | 91251-GK4-000 | OIL SEAL, 47X60X7 | 1 |
| | | 15 | 94050-06000 | NUT, FLANGE, 6 MM | 1 |
| | | 16 | 95015-32001 | JOINT 'B' BRAKE ARM | 1 |
| | | 17 | 95015-42000 | NUT B ADJUST | 1 |
| | | 18 | 95701-06032-00 | BOLT, FLANGE, 6 X 32 | 1 |

F-9-DISC-CAST
FRONT WHEEL



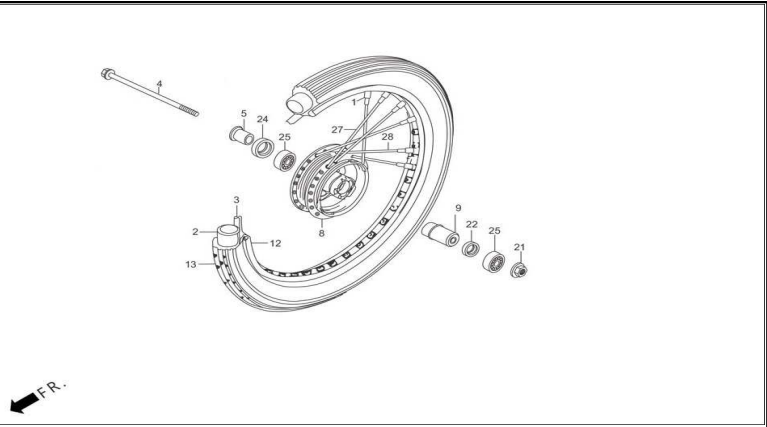
| Service Item | F.R.T. | Group Number: F-9-DISC-CAST Model :: Passion Pro (Aug, 2015) | | | |
|------------------------------|--------|--|----------------|---------------------------------|------|
| | | Ref No. | Part Number | Description | Req. |
| * TUBE, TYRE | 0.9 | | | | |
| * TYRE, FR. (2.75 X 18-4 PR) | | 2 | 42712-KCS-920 | TUBE, TYRE (2.75 X 18) | 1 |
| * AXLE, FR. WHEEL | 0.2 | 4 | 44301-KTR-700 | AXLE, FR. WHEEL | 1 |
| * HUB, FR. WHEEL | 2.5 | 5 | 44311-KRC-900 | COLLAR, FR. WHEEL SIDE | 1 |
| * COLLAR, FR. AXLE DISTANCE | 0.4 | 7 | K44446AACD240S | KIT, WHEEL COMP. FRONT | 1 |
| * BEARING RADIAL BALL, 6301U | | 10 | 44620-400-000 | COLLAR, FRONT DISTANCE | 1 |
| (ADD 0.1 FOR EACH) | | 11 | 44680-410-000 | RETAINER, GEAR BOX | 1 |
| * RIM, FR. WHEEL | 2.2 | 13 | 44711-KFN-850 | TYRE, FRONT | 1 |
| * OIL SEAL, 21 X 37 X 7 | 0.3 | 14 | 44800-KVE-901 | GEAR BOX ASSY., SPDMT. (MGM) | 1 |
| | | 15 | 44804-KVE-901 | GEAR, SPEEDOMETER | 1 |
| | | 16 | 44805-KVE-901 | PINION, SPEEDOMETER | 1 |
| | | 17 | 44809-170-000 | WASHER, SPEEDOMETER GEAR | 1 |
| | | 18 | 44810-KTC-900 | BUSH, PINION | 1 |
| | | 19 | 45251-KVE-901 | DISC, FRONT BRAKE | 1 |
| | | 20 | 90105-MK5-010 | BOLT, FR., DISC, 8 X 22 | 6 |
| | | 21 | 90306-KTE-911 | NUT, CASTLE, 12 MM | 1 |
| | | 22 | 91251-KPH-901 | DUST SEAL, 21 X 37 X 7 | 1 |
| | | 23 | 91251-KPH-901 | DUST SEAL, 21 X 37 X 7 | 1 |
| | | 24 | 91258-KEJ-900 | DUST SEAL, 40 X 50 X 5 | 1 |
| | | 26 | 96150-63010-10 | BEARING, BALL RADIAL, 6301 (UU) | 2 |

F-9-DRUM-CAST
FRONT WHEEL



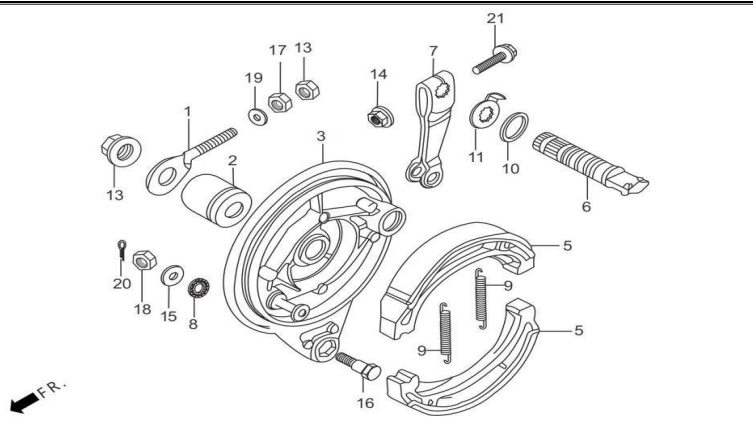
| Service Item | F.R.T. | Group Number: F-9-DRUM-CAST Model :: Passion Pro (Aug, 2015) | | | |
|------------------------------|--------|--|----------------|-----------------------------|------|
| | | Ref No. | Part Number | Description | Req. |
| * TUBE, TYRE | 0.9 | 2 | 42712-KCS-920 | TUBE, TYRE (2.75 X 18) | 1 |
| * TYRE, FR. (2.75 X 18-4 PR) | | 4 | 44301-KTR-700 | AXLE, FR. WHEEL | 1 |
| * AXLE, FR. WHEEL | 0.2 | 5 | 44311-KRC-900 | COLLAR, FR. WHEEL SIDE | 1 |
| * HUB, FR. WHEEL | 2.5 | 6 | K44446AACD200S | KIT, WHEEL COMP. FRONT | 1 |
| * COLLAR, FR. AXLE DISTANCE | 0.4 | 10 | 44620-400-000 | COLLAR, FRONT DISTANCE | 1 |
| *BEARING RADIAL BALL, 6301U | | 11 | 44680-410-000 | RETAINER, GEAR BOX | 1 |
| (ADD 0.1 FOR EACH) | | 13 | 44711-KFN-850 | TYRE, FRONT | 1 |
| * RIM, FR. WHEEL | 2.2 | 21 | 90306-KTE-911 | NUT, CASTLE, 12 MM | 1 |
| * OIL SEAL, 21 X 37 X 7 | 0.3 | 22 | 91251-KPH-901 | DUST SEAL, 21 X 37 X 7 | 1 |
| | | 24 | 91258-KEJ-900 | DUST SEAL, 40 X 50 X 5 | 1 |
| | | 25 | 96140-63010-10 | BEARING, RADIAL BALL, 6301U | 2 |

F-9-DRUM-SPOKE
FRONT WHEEL



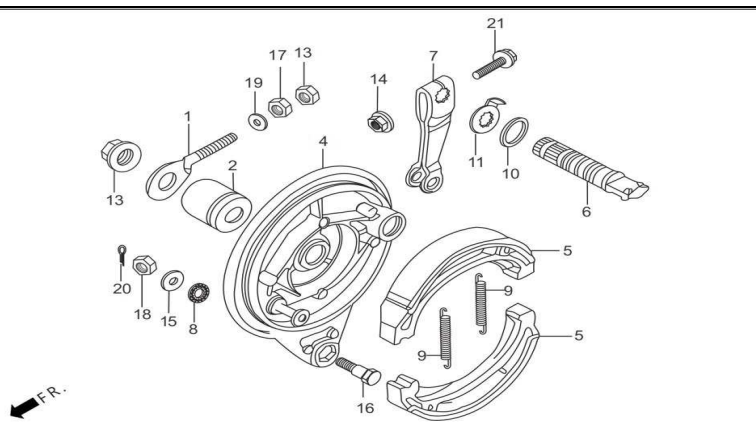
| Service Item | F.R.T. | Group Number: F-9-DRUM-SPOKE Model :: Passion Pro (Aug, 2015) | | | |
|------------------------------|--------|---|----------------|-----------------------------|------|
| | | Ref No. | Part Number | Description | Req. |
| * TUBE, TYRE | 0.9 | | | | |
| * TYRE, FR. (2.75 X 18-4 PR) | | 1 | 42603-198-900 | NIPPLE, SPOKE-9 | 36 |
| * AXLE, FR. WHEEL | 0.2 | 2 | 42712-KCS-920 | TUBE, TYRE (2.75 X 18) | 1 |
| * HUB, FR. WHEEL | 2.5 | 3 | 42713-KFN-850 | FLAP, TYRE (1.40 X 18) | 1 |
| * COLLAR, FR. AXLE DISTANCE | 0.4 | 4 | 44301-KTR-700 | AXLE, FR. WHEEL | 1 |
| *BEARING RADIAL BALL, 6301U | | 5 | 44311-KRC-900 | COLLAR, FR. WHEEL SIDE | 1 |
| (ADD 0.1 FOR EACH) | | 8 | 44601-KTR-940 | HUB COMP., FRONT WHEEL | 1 |
| * RIM, FR. WHEEL | 2.2 | 9 | 44620-198-900 | COLLAR, FR. AXLE DISTANCE | 1 |
| * OIL SEAL, 21 X 37 X 7 | 0.3 | 12 | 44701-AAC-H00 | RIM FRONT WHEEL | 1 |
| | | 13 | 44711-KFN-850 | TYRE, FRONT | 1 |
| | | 21 | 90306-KTE-911 | NUT, CASTLE, 12 MM | 1 |
| | | 22 | 91251-KPH-901 | DUST SEAL, 21 X 37 X 7 | 1 |
| | | 24 | 91258-KEJ-900 | DUST SEAL, 40 X 50 X 5 | 1 |
| | | 25 | 96140-63010-10 | BEARING, RADIAL BALL, 6301U | 2 |
| | | 27 | 97252-51162-10 | SPOKE,A 9 X161 | 18 |
| | | 28 | 97603-51162-10 | SPOKE, A 9 X 161 | 18 |

F-10-CAST
REAR BRAKE PANEL



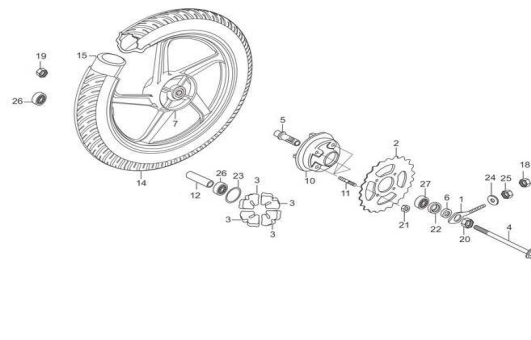
| Service Item | F.R.T. | Group Number: F-10-CAST Model :: Passion Pro (Aug, 2015) | | | |
|--|--------|--|----------------|-----------------------------|------|
| | | Ref No. | Part Number | Description | Req. |
| * PANEL COMP., RR. BRAKE | 0.5 | 1 | 40543-198-900 | ADJUSTER, `R` CHAIN | 1 |
| * SHOE COMP., BRAKE (ONE OR ALL) | 0.4 | 2 | 42313-KCC-600 | COLLAR RR. BRAKE PANEL SIDE | 1 |
| * ARM, RR. BRAKE (INC. RELATIVE PART) | 0.1 | 3 | 43100-KTR-700 | PANEL COMP., RR. BRAKE | 1 |
| | | 5 | 43125-KTN-701 | SHOE COMP., BRAKE | 2 |
| | | 6 | 43141-KTC-900 | CAM, REAR BRAKE | 1 |
| | | 7 | 43410-KCT-690 | ARM, REAR BRAKE | 1 |
| | | 8 | 43434-286-000 | RUBBER, STOPPER ARM CUSHION | 1 |
| | | 9 | 45133-KCC-900 | SPRING, FR. BRAKE SHOE | 2 |
| | | 10 | 45134-250-000 | DUST SEAL, BRAKE CAM | 1 |
| | | 11 | 45145-KFM-900 | INDICATOR, FR. BRK | 1 |
| | | 12 | 90302-KTE-911 | NUT FLANGE PT 6MM | 1 |
| | | 13 | 90302-KBP-900 | NUT SPL 6 MM | 1 |
| | | 14 | 90306-KST-942 | NUT, CASTLE, 12 MM | 1 |
| | | 15 | 90505-425-000 | WASHER, 8 MM | 1 |
| | | 16 | 92811-10000 | BOLT `A` BRAKE STOPPER | 1 |
| | | 17 | 94001-06000-0S | NUT, HEX., 6 MM | 1 |
| | | 18 | 94001-08000-0S | NUT, HEX., 8 MM | 1 |
| | | 19 | 94101-06000 | WASHER, PLAIN, 6 MM | 1 |
| | | 20 | 94201-20150 | PIN, SPLIT, 2.0 X 15 | 1 |
| | | 21 | 95701-06035-00 | BOLT, FLANGE, 6X35 | 1 |

F-10-SPOKE
REAR BRAKE PANEL



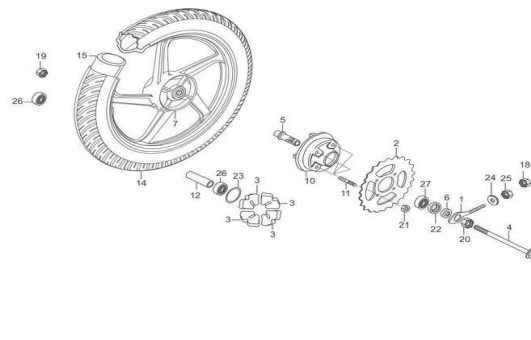
| Service Item | F.R.T. | Group Number: F-10-SPOKE Model :: Passion Pro (Aug, 2015) | | | |
|--|--------|---|----------------|-----------------------------|------|
| | | Ref No. | Part Number | Description | Req. |
| * PANEL COMP., RR. BRAKE | 0.5 | 1 | 40543-198-900 | ADJUSTER, `R` CHAIN | 1 |
| * SHOE COMP., BRAKE (ONE OR ALL) | 0.4 | 2 | 42313-KCC-600 | COLLAR RR. BRAKE PANEL SIDE | 1 |
| * ARM, RR. BRAKE (INC. RELATIVE PART) | 0.1 | 4 | 43100-KTR-900 | PANEL COMP., RR. BRAKE | 1 |
| | | 5 | 43125-KTN-701 | SHOE COMP., BRAKE | 2 |
| | | 6 | 43141-KTC-900 | CAM, REAR BRAKE | 1 |
| | | 7 | 43410-KCT-690 | ARM, REAR BRAKE | 1 |
| | | 8 | 43434-286-000 | RUBBER, STOPPER ARM CUSHION | 1 |
| | | 9 | 45133-KCC-900 | SPRING, FR. BRAKE SHOE | 2 |
| | | 10 | 45134-250-000 | DUST SEAL, BRAKE CAM | 1 |
| | | 11 | 45145-KFM-900 | INDICATOR, FR. BRK | 1 |
| | | 12 | 90302-KTE-911 | NUT FLANGE PT 6MM | 1 |
| | | 13 | 90302-KBP-900 | NUT SPL 6 MM | 1 |
| | | 14 | 90306-KST-942 | NUT, CASTLE, 12 MM | 1 |
| | | 15 | 90505-425-000 | WASHER, 8 MM | 1 |
| | | 16 | 92811-10000 | BOLT `A` BRAKE STOPPER | 1 |
| | | 17 | 94001-06000-0S | NUT, HEX., 6 MM | 1 |
| | | 18 | 94001-08000-0S | NUT, HEX., 8 MM | 1 |
| | | 19 | 94101-06000 | WASHER, PLAIN, 6 MM | 1 |
| | | 20 | 94201-20150 | PIN, SPLIT, 2.0 X 15 | 1 |
| | | 21 | 95701-06035-00 | BOLT, FLANGE, 6X35 | 1 |

F-11-CAST
REAR WHEEL



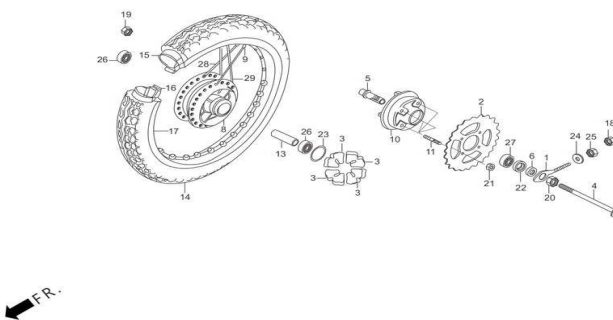
| Service Item | F.R.T. | Group Number: F-11-CAST Model :: Passion Pro (Aug, 2015) | | | |
|------------------------------|--------|--|----------------|------------------------------|------|
| | | Ref No. | Part Number | Description | Req. |
| * AXLE, RR. WHEEL | 0.2 | 1 | 40544-198-900 | ADJUSTER, 'L' CHAIN | 1 |
| * SPROCKET, FINAL DRIVEN | 0.7 | 2 | 41201-KVH-760 | SPROCKET, FINAL DRIVEN (43T) | 1 |
| * DAMPER, RR. WHEEL | 0.4 | 3 | 41241-KTC-900 | DAMPER, REAR WHEEL | 4 |
| (ONE OR ALL) | | | | | |
| * COLLAR, RR. AXLE DISTANCE | | 4 | 42301-ABA-000 | AXLE RR WHEEL | 1 |
| * BEARING, RADIAL BALL, 6301 | | 5 | 42303-KCC-600 | SLEEVE RR. WHEEL | 1 |
| (ADD 0.1 FOR EACH) | | 6 | 42304-198-900 | COLLAR, RR.AXLE SLEEVE | 1 |
| * SLEEVE, RR. WHEEL | 0.5 | 7 | K42426AACD200S | KIT, WHEEL COMP. REAR | 1 |
| * HUB, RR. WHEEL | 2.5 | 10 | 42611-KWA-940 | FLANGE FINAL DRIVEN | 1 |
| * FLANGE, FINAL DRIVEN | 0.8 | 11 | 42615-KCC-600 | BOLT, STUD., 8X35.5 | 4 |
| * TYRE, RR (2.75-18-6 PR) | 0.9 | 12 | 42620-KTR-700 | COLLAR, REAR AXLE DISTANCE | 1 |
| * RIM, WHEEL (1.60 X 18) | 2.3 | 14 | 42711-KTR-901 | TYRE, RR. (3.0-18-52P) | 1 |
| * BEARING, RADIAL BALL, 6203 | 0.6 | 15 | 42712-KTR-901 | TUBE, TYRE | 1 |
| | | 18 | 90302-KBP-900 | NUT SPL 6 MM | 1 |
| | | 19 | 90306-KST-942 | NUT, CASTLE, 12 MM | 1 |
| | | 20 | 90307-001-000 | NUT ,RR. AXLE SLEEVE | 1 |
| | | 21 | 90309-357-000 | NUT, HEX ,8MM | 4 |
| | | 22 | 90753-029-000 | OIL SEAL, 27 X 40 X 6 | 1 |
| | | 23 | 91304-704-000 | O-RING 42 MM | 1 |
| | | 24 | 94101-06000 | WASHER, PLAIN, 6 MM | 1 |
| | | 25 | 94001-06000-0S | NUT, HEX., 6 MM | 1 |

F-11-CAST
REAR WHEEL



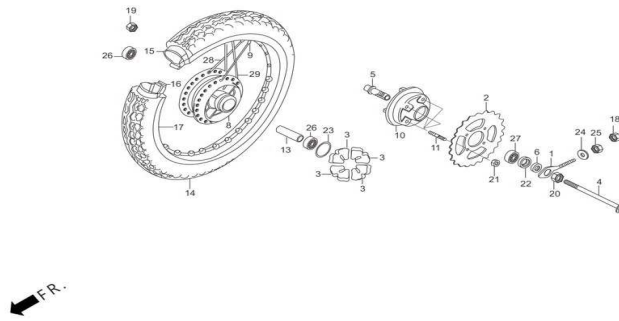
| Service Item | F.R.T. | Group Number: F-11-CAST Model :: Passion Pro (Aug, 2015) | | | |
|------------------------------|--------|--|----------------|---------------------------------|------|
| | | Ref No. | Part Number | Description | Req. |
| * AXLE, RR. WHEEL | 0.2 | | | | |
| * SPROCKET, FINAL DRIVEN | 0.7 | 26 | 96140-63010-10 | BEARING, RADIAL BALL, 6301U | 2 |
| * DAMPER, RR. WHEEL | 0.4 | 27 | 96150-62030-10 | BEARING, BALL RADIAL, 6203 (UU) | 1 |
| (ONE OR ALL) | | | | | |
| * COLLAR, RR. AXLE DISTANCE | | | | | |
| * BEARING, RADIAL BALL, 6301 | | | | | |
| (ADD 0.1 FOR EACH) | | | | | |
| * SLEEVE, RR. WHEEL | 0.5 | | | | |
| * HUB, RR. WHEEL | 2.5 | | | | |
| * FLANGE, FINAL DRIVEN | 0.8 | | | | |
| * TYRE, RR (2.75-18-6 PR) | 0.9 | | | | |
| * RIM, WHEEL (1.60 X 18) | 2.3 | | | | |
| * BEARING, RADIAL BALL, 6203 | 0.6 | | | | |

F-11-SPOKE
REAR WHEEL



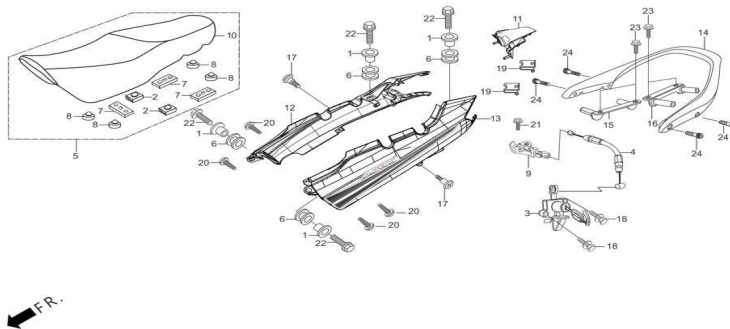
| Service Item | F.R.T. | Group Number: F-11-SPOKE Model :: Passion Pro (Aug, 2015) | | | |
|------------------------------|--------|---|---------------|------------------------------|------|
| | | Ref No. | Part Number | Description | Req. |
| * AXLE, RR. WHEEL | 0.2 | 1 | 40544-198-900 | ADJUSTER, 'L' CHAIN | 1 |
| * SPROCKET, FINAL DRIVEN | 0.7 | 2 | 41201-KVH-760 | SPROCKET, FINAL DRIVEN (43T) | 1 |
| * DAMPER, RR. WHEEL | 0.4 | 3 | 41241-KTC-900 | DAMPER, REAR WHEEL | 4 |
| (ONE OR ALL) | | | | | |
| * COLLAR, RR. AXLE DISTANCE | | 4 | 42301-ABA-000 | AXLE RR WHEEL | 1 |
| * BEARING, RADIAL BALL, 6301 | | 5 | 42303-KCC-600 | SLEEVE RR. WHEEL | 1 |
| (ADD 0.1 FOR EACH) | | 6 | 42304-198-900 | COLLAR, RR.AXLE SLEEVE | 1 |
| * SLEEVE, RR. WHEEL. | 0.5 | 8 | 42601-KTR-940 | HUB, COMP., REAR WHEEL | 1 |
| * HUB, RR. WHEEL | 2.5 | 9 | 42603-198-900 | NIPPLE, SPOKE-9 | 36 |
| * FLANGE, FINAL DRIVEN | 0.8 | 10 | 42611-KWA-940 | FLANGE FINAL DRIVEN | 1 |
| * TYRE, RR (2.75-18-6 PR) | 0.9 | 11 | 42615-KCC-600 | BOLT, STUD, 8X35.5 | 4 |
| * RIM, WHEEL (1.60 X 18) | 2.3 | 13 | 42620-KTR-940 | COLLAR, REAR AXLE DISTANCE | 1 |
| * BEARING, RADIAL BALL, 6203 | 0.6 | 14 | 42711-KTR-901 | TYRE, RR. (3.0-18-52P) | 1 |
| | | 15 | 42712-KTR-901 | TUBE, TYRE | 1 |
| | | 16 | 42713-KFN-850 | FLAP, TYRE (1.40 X 18) | 1 |
| | | 17 | 44701-AAC-H00 | RIM FRONT WHEEL | 1 |
| | | 18 | 90302-KBP-900 | NUT SPL 6 MM | 1 |
| | | 19 | 90306-KST-942 | NUT, CASTLE, 12 MM | 1 |
| | | 20 | 90307-001-000 | NUT ,RR. AXLE SLEEVE | 1 |
| | | 21 | 90309-357-000 | NUT, HEX ,8MM | 4 |
| | | 22 | 90753-029-000 | OIL SEAL, 27 X 40 X 6 | 1 |

F-11-SPOKE
REAR WHEEL



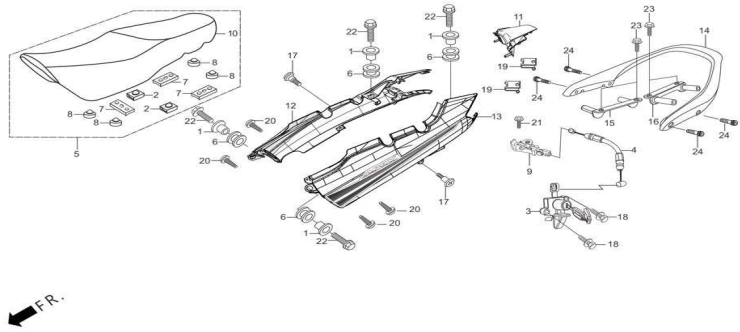
| Service Item | F.R.T. | Group Number: F-11-SPOKE Model :: Passion Pro (Aug, 2015) | | | |
|------------------------------|--------|---|----------------|---------------------------------|------|
| | | Ref No. | Part Number | Description | Req. |
| * AXLE, RR. WHEEL | 0.2 | | | | |
| * SPROCKET, FINAL DRIVEN | 0.7 | 23 | 91304-704-000 | O-RING 42 MM | 1 |
| * DAMPER, RR. WHEEL | 0.4 | 24 | 94101-06000 | WASHER, PLAIN, 6 MM | 1 |
| (ONE OR ALL) | | 25 | 94001-06000-0S | NUT, HEX., 6 MM | 1 |
| * COLLAR, RR. AXLE DISTANCE | | 26 | 96140-63010-10 | BEARING, RADIAL BALL, 6301U | 2 |
| * BEARING, RADIAL BALL, 6301 | | 27 | 96150-62030-10 | BEARING, BALL RADIAL, 6203 (UU) | 1 |
| (ADD 0.1 FOR EACH) | | 28 | 97252-51162-10 | SPOKE,A 9 X161 | 18 |
| * SLEEVE, RR. WHEEL. | 0.5 | 29 | 97687-51161-10 | SPOKE,A9X160.5 | 18 |
| * HUB, RR. WHEEL | 2.5 | | | | |
| * FLANGE, FINAL DRIVEN | 0.8 | | | | |
| * TYRE, RR (2.75-18-6 PR) | 0.9 | | | | |
| * RIM, WHEEL (1.60 X 18) | 2.3 | | | | |
| * BEARING, RADIAL BALL, 6203 | 0.6 | | | | |

F-12
SEAT ASSY./COWL/GRIP REAR



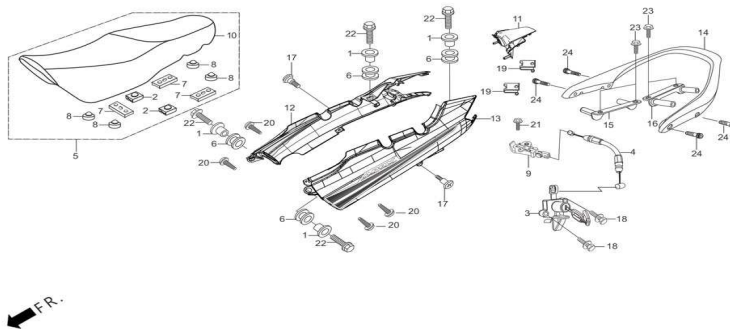
| Service Item | F.R.T. | Group Number: F-12 Model :: Passion Pro (Aug, 2015) | | | |
|------------------------|--------|---|----------------|--|------|
| | | Ref No. | Part Number | Description | Req. |
| * SEAT ASSY., DOUBLE | 0.1 | | | | |
| * SET, CENTER RR. COWL | | 1 | 17509-398-960 | COLLAR, TANK SET | 4 |
| * SET, RIGHT SIDE COWL | | 2 | 50524-001-000 | RUBBER, MAIN STAND STOPPER | 2 |
| * SET, LEFT SIDE COWL | | 3 | 77110-AAC-H00 | LOCK ASSY SEAT | 1 |
| *CARRIER, REAR | | 4 | 77156-KCC-870 | CABLE, SEAT LOCK | 1 |
| | | 5 | 77200-KWA-830 | SEAT ASSY., DOUBLE | 1 |
| | | 6 | 77202-KCC-900 | RUBBER, SEAT MOUNTING | 4 |
| | | 7 | 77204-KCC-900 | RUBBER, " A" SEAT SETTING | 3 |
| | | 8 | 77206-KCC-900 | RUBBER, SEAT CUSHION | 4 |
| | | 9 | 77220-KY6-000 | HOOK, SEAT CATCH | 1 |
| | | 10 | 77230-KWA-830 | COVER, SEAT ASSY., | 1 |
| | | 11 | 77237-AAC-200R | SET, CENTER RR COWL(BLK TYPE-1, NH-1) | 1 |
| | | | 77237-AAC-200U | SET, CENTER RR COWL(SRD, R-321) | 1 |
| | | | 77237-AAC-200Z | SET, CENTER RR COWL(BLACK,NH-1(T2) | 1 |
| | | | 77237-AAC-2001 | SET, CENTER RR COWL(BLACK, NH-1(T3) | 1 |
| | | | 77237-AAC-2002 | SET, CENTER RR COWL(MBM, RD-018M) | 1 |
| | | 12 | 77240-AAC-200R | SET, R SIDE COWL(BLK TYPE-1, NH-1) | 1 |
| | | | 77240-AAC-200S | SET, R SIDE COWL(BLK TYPE-2, NH-1) | 1 |
| | | | 77240-AAC-200T | SET, R SIDE COWL(BLK TYPE-3, NH-1) | 1 |
| | | | 77240-AAC-200U | SET, R SIDE COWL(SRD, R-321) | 1 |
| | | | 77240-AAC-200V | SET, R SIDE COWL(BYM, YL-002M) | 1 |

F-12
SEAT ASSY./COWL/GRIP REAR



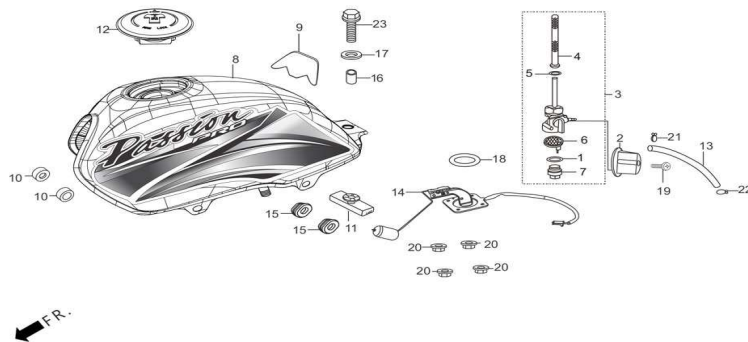
| Service Item | F.R.T. | Group Number: F-12 Model :: Passion Pro (Aug, 2015) | | | |
|------------------------|--------|---|-----------------|-------------------------------------|------|
| | | Ref No. | Part Number | Description | Req. |
| * SEAT ASSY., DOUBLE | 0.1 | | 77240-AAC-200W | SET, R SIDE COWL(FSM, NH-411M) | 1 |
| * SET, CENTER RR. COWL | | | 77240-AAC-200X | SET, R SIDE COWL(PFW, NH-341P) | 1 |
| * SET, RIGHT SIDE COWL | | | 77240-AAC-200Y | SET, R SIDE COWL(MBM, RD-018M) | 1 |
| * SET, LEFT SIDE COWL | | | 77250-AAC-200R | SET, L SIDE COWL(BLK TYPE-1, NH-1) | 1 |
| *CARRIER, REAR | | 13 | 77250-AAC-200S | SET, L SIDE COWL(BLK TYPE-2, NH-1) | 1 |
| | | | 77250-AAC-200T | SET, L SIDE COWL(BLK TYPE-3, NH-1) | 1 |
| | | | 77250-AAC-200U | SET, L SIDE COWL(SRD, R-321) | 1 |
| | | | 77250-AAC-200V | SET, L SIDE COWL(BYM, YL-002M) | 1 |
| | | | 77250-AAC-200W | SET, L SIDE COWL(FSM, NH-411M) | 1 |
| | | | 77250-AAC-200X | SET, L SIDE COWL(PFW, NH-341P) | 1 |
| | | | 77250-AAC-200Y | SET, L SIDE COWL(MBM, RD-018M) | 1 |
| | | 14 | 81201-KWA-940ZA | GRIP, REAR(BLACK) | 1 |
| | | | 81201-AAC-2000 | GRIP RR. (MATT BROWN ME) | 1 |
| | | 15 | 81202-KCC-730Z | STAY, REAR GRIP ' R' | 1 |
| | | 16 | 81203-KCC-730Z | STAY, REAR GRIP ' L' | 1 |
| | | 17 | 90101-GE0-000 | SCREW, HINGE PATCH | 2 |
| | | 18 | 90107-GZ4-670 | BOLT, BREAK OFF | 2 |
| | | 19 | 90320-GC3-000 | NUT, SPRING, M5 | 2 |
| | | 20 | 93903-24380 | SCREW TAPPING, 4 X 12 | 4 |
| | | 21 | 95701-06012-00 | BOLT, FLANGE, 6X12 | 1 |

F-12
SEAT ASSY./COWL/GRIP REAR



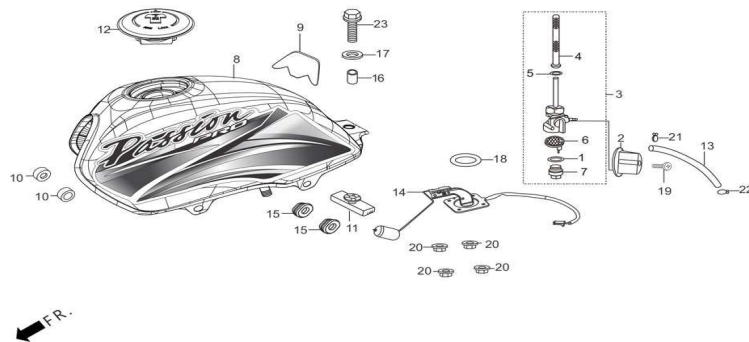
| Service Item | F.R.T. | Group Number: F-12 Model :: Passion Pro (Aug, 2015) | | | |
|------------------------|--------|---|----------------|----------------------|------|
| | | Ref No. | Part Number | Description | Req. |
| * SEAT ASSY., DOUBLE | 0.1 | | | | |
| * SET, CENTER RR. COWL | | 22 | 95701-06020-08 | BOLT, FLANGE, 6 X 20 | 4 |
| * SET, RIGHT SIDE COWL | | 23 | 95701-08016-00 | BOLT, FLANGE, 8X16 | 4 |
| * SET, LEFT SIDE COWL | | 24 | 96700-08040-00 | SOCKET, BOLT 8 X 40 | 4 |
| *CARRIER, REAR | | | | | |

F-13
FUEL TANK



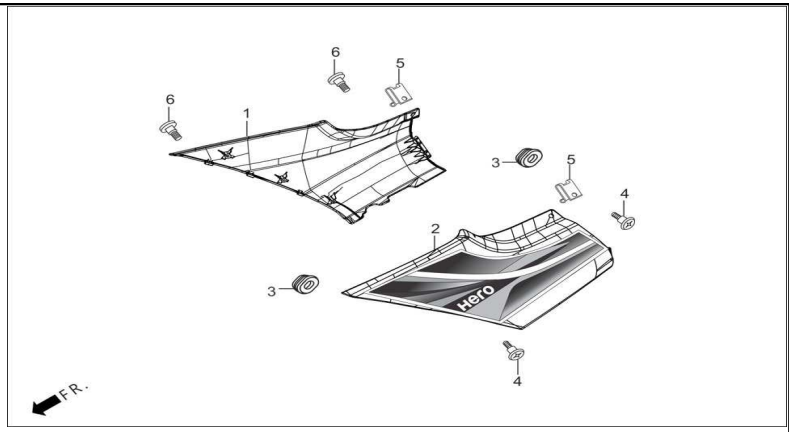
| Service Item | F.R.T. | Group Number: F-13 Model :: Passion Pro (Aug, 2015) | | | |
|-------------------------|--------|---|----------------|-----------------------------------|------|
| | | Ref No. | Part Number | Description | Req. |
| * COCK ASSY., FUEL | 0.2 | 1 | 16173-001-000 | O'- RING | 1 |
| * SCREEN, FUEL STRAINER | | 2 | 16955-KVH-900 | LEVER FUEL COCK | 1 |
| * TANK SET., FUEL | 0.3 | 3 | 16950-KVH-900 | COCK ASSY.,FUEL | 1 |
| * UNIT ASSY., FUEL | | 4 | 16952-KVH-900 | SCREEN SET FUEL STRAINER | 1 |
| | | 5 | 16173-001-000 | O'- RING | 1 |
| | | 6 | 16959-HB3-000 | FILTER, CUP | 1 |
| | | 7 | 16967-GA6-671 | CUP, FUEL STRAINER | 1 |
| | | 8 | 17500-AAC-200R | SET, FUEL TANK(BLK TYPE-1, NH-1) | 1 |
| | | | 17500-AAC-200S | SET, FUEL TANK(BLK TYPE-2, NH-1) | 1 |
| | | | 17500-AAC-200T | SET, FUEL TANK(BLK TYPE-3, NH-1) | 1 |
| | | | 17500-AAC-200U | SET, FUEL TANK(SRD, R-321) | 1 |
| | | | 17500-AAC-200V | SET, FUEL TANK(BYM, YL-002M) | 1 |
| | | | 17500-AAC-200W | SET, FUEL TANK(FSM, NH-411M) | 1 |
| | | | 17500-AAC-200X | SET, FUEL TANK(PFW, NH-341P) | 1 |
| | | | 17500-AAC-200Y | SET, FUEL TANK(MBM, RD-018M) | 1 |
| | | 9 | 17506-KCC-730 | TANK FILM, PROTECTOR | 1 |
| | | 10 | 17611-KCC-900 | CUSHION, FR. FUEL TANK | 2 |
| | | 11 | 17613-KCC-900 | CUSHION, RR. TANK | 1 |
| | | 12 | 17620-AAC-200 | CAP COMP FUEL FILLER | 1 |
| | | 13 | 17681-KWA-940 | TUBE, FUEL | 1 |

F-13
FUEL TANK



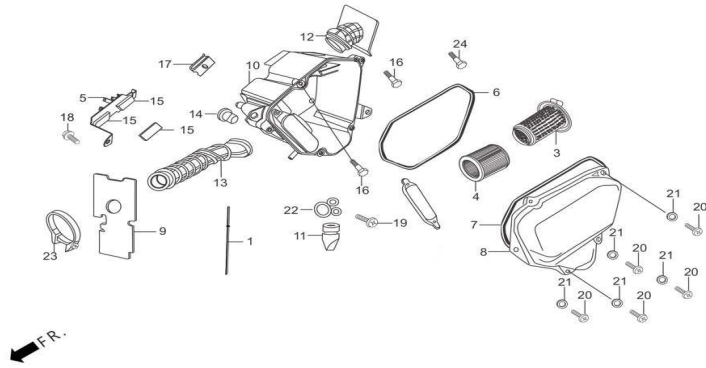
| Service Item | F.R.T. | Group Number: F-13 Model :: Passion Pro (Aug, 2015) | | | |
|-------------------------|--------|---|----------------|---------------------------|------|
| | | Ref No. | Part Number | Description | Req. |
| * COCK ASSY., FUEL | 0.2 | 14 | 37800-KWA-930 | UNIT ASSY., FUEL | 1 |
| * SCREEN, FUEL STRAINER | | 15 | 83551-300-000 | GROMMET, AIR CLEANER CASE | 2 |
| * TANK SET., FUEL | 0.3 | 16 | 90324-KCC-870 | COLLAR, 8 MM | 1 |
| * UNIT ASSY., FUEL | | 17 | 90325-KCC-900 | WASHER, PLAIN, 8 MM | 1 |
| | | 18 | 91305-MC7-000 | O-RING, 39.5 X 5 | 1 |
| | | 19 | 93500-04025-0G | SCREW, PAN, 4X25 | 1 |
| | | 20 | 94050-06000 | NUT, FLANGE, 6 MM | 4 |
| | | 21 | 95002-02080 | CLIP, TUBE | 1 |
| | | 22 | 95002-02100 | CLIP, B-10 TUBE | 1 |
| | | 23 | 95701-08035-08 | BOLT, FLANGE, 8 X 35 | 1 |

F-14
SIDE COVER



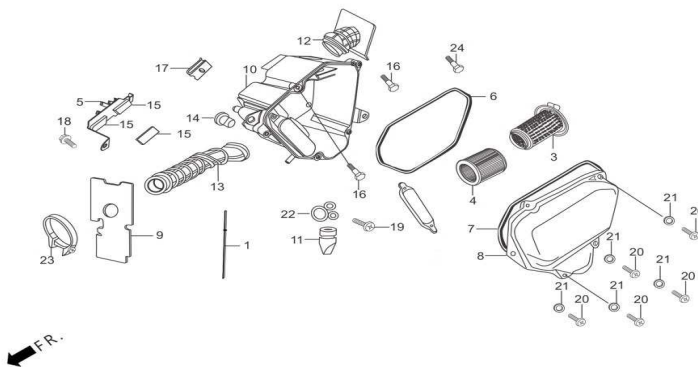
| Service Item | F.R.T. | Group Number: F-14 Model :: Passion Pro (Aug, 2015) | | | |
|-------------------------|--------|---|----------------|--|------|
| | | Ref No. | Part Number | Description | Req. |
| * SET, RIGHT SIDE COVER | 0.1 | 1 | 83500-AAC-200R | SET, R SIDE COVER B(BLK TYPE-1, NH-1) | 1 |
| | | | 83500-AAC-200S | SET, R SIDE COVER B(BLK TYPE-2, NH-1) | 1 |
| | | | 83500-AAC-200T | SET, R SIDE COVER B(BLK TYPE-3, NH-1) | 1 |
| | | | 83500-AAC-200U | SET, R SIDE COVER B(SRD, R-321) | 1 |
| | | | 83500-AAC-200V | SET, R SIDE COVER B(BYM, YL-002M) | 1 |
| | | | 83500-AAC-200W | SET, R SIDE COVER B(FSM, NH-411M) | 1 |
| | | | 83500-AAC-200X | SET, R SIDE COVER B(PFW, NH-341P) | 1 |
| | | | 83500-AAC-200Y | SET, R SIDE COVER B(MBM, RD-018M) | 1 |
| | | 2 | 83600-AAC-200R | SET, L SIDE COVER B(BLK TYPE-1, NH-1) | 1 |
| | | | 83600-AAC-200S | SET, L SIDE COVER B(BLK TYPE-2, NH-1) | 1 |
| | | | 83600-AAC-200T | SET, L SIDE COVER B(BLK TYPE-3, NH-1) | 1 |
| | | | 83600-AAC-200U | SET, L SIDE COVER B(SRD, R-321) | 1 |
| | | | 83600-AAC-200V | SET, L SIDE COVER B(BYM, YL-002M) | 1 |
| | | | 83600-AAC-200W | SET, L SIDE COVER B(FSM, NH-411M) | 1 |
| | | | 83600-AAC-200X | SET, L SIDE COVER B(PFW, NH-341P) | 1 |
| | | | 83600-AAC-200Y | SET, L SIDE COVER B(MBM, RD-018M) | 1 |
| | | 3 | 83551-300-000 | GROMMET, AIR CLEANER CASE | 2 |
| | | 4 | 90101-GE0-000 | SCREW, HINGE PATCH | 2 |
| | | 5 | 90320-GC3-000 | NUT, SPRING, M5 | 2 |
| | | 6 | 90381-KWA-940 | SCREW SPECIAL 6x13 | 2 |

F-15-KICK
AIR CLEANER



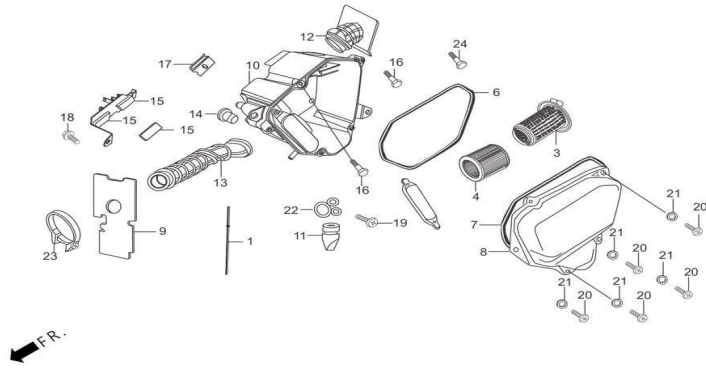
| Service Item | F.R.T. | Group Number: F-15-KICK Model :: Passion Pro (Aug, 2015) | | | |
|--------------------------------|--------|--|----------------|------------------------|------|
| | | Ref No. | Part Number | Description | Req. |
| * ELEMENT 'A' AIR CLEANER | 0.2 | 1 | 17199-AAC-200 | TUBE DRAIN | 1 |
| * HOLDER, ELEMENT | | 3 | 17212-KCC-900 | HOLDER ELEMENT | 1 |
| * ELEMENT 'B' AIR CLEANER | | 4 | 17213-KWA-940 | ELEMENT AIR/C | 1 |
| *COVER, AIR CLEANER CASE | | 5 | 17214-AAC-220 | BAND, BATTERY | 1 |
| * WATER GUARD, FR. | | 6 | 17218-KTC-900 | SEAL AIR CLEANER | 1 |
| *DUCT AIR/C INLET | | 7 | 17219-KTC-900 | SEAL, A/I CLEANER | 1 |
| * TUBE, AIR CLEANER CONNECTING | | 8 | 17220-KWA-940 | COVER AIR CLEANER | 1 |
| | | 9 | 17224-KWA-830 | WATER, GUARD FR | 1 |
| | | 10 | 17210-KWA-840 | CASE, AIR/C | 1 |
| | | 11 | 17234-KCC-940 | TUBE AIR CLEANER DRAIN | 1 |
| | | 12 | 17251-KWA-940 | DUCT AIR/C INLET | 1 |
| | | 13 | 17253-KTC-900 | TUBE, AIR/C CONN. | 1 |
| | | 14 | 18651-KST-900 | PLUG,AIR/C | 1 |
| | | 15 | 83407-KTR-940 | RUBBER, BATTERY | 3 |
| | | 16 | 90111-187-000 | BOLT, FLANGE, 6 MM | 2 |
| | | 17 | 90311-MT3-000 | NUT, CLIP, 6 MM | 1 |
| | | 18 | 90101-KWA-830 | BOLT FLANGE 6X18 | 1 |
| | | 19 | 93903-24380 | SCREW TAPPING, 4 X 12 | 1 |
| | | 20 | 93500-05016-1H | SCREW, PAN, 5 X 16 | 5 |
| | | 21 | 94101-05000 | WASHER , PLAIN, 5MM | 5 |

F-15-KICK
AIR CLEANER



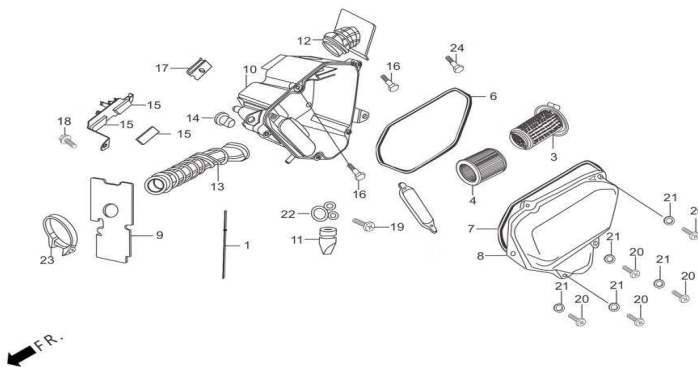
| Service Item | F.R.T. | Group Number: F-15-KICK Model :: Passion Pro (Aug, 2015) | | | |
|--------------------------------|--------|--|----------------|--------------------------|------|
| | | Ref No. | Part Number | Description | Req. |
| * ELEMENT 'A' AIR CLEANER | 0.2 | | | | |
| * HOLDER, ELEMENT | | 22 | 95002-02130 | CLIP B 12.5 TUBE | 1 |
| * ELEMENT 'B' AIR CLEANER | | 23 | 95018-46320 | BAND 46 AIR/C CONN. TUBE | 1 |
| *COVER, AIR CLEANER CASE | | 24 | 95701-06012-08 | BOLT, FLANGE, 6 X 12 | 1 |
| * WATER GUARD, FR. | | | | | |
| *DUCT AIR/C INLET | | | | | |
| * TUBE, AIR CLEANER CONNECTING | | | | | |

F-15-SELF
AIR CLEANER



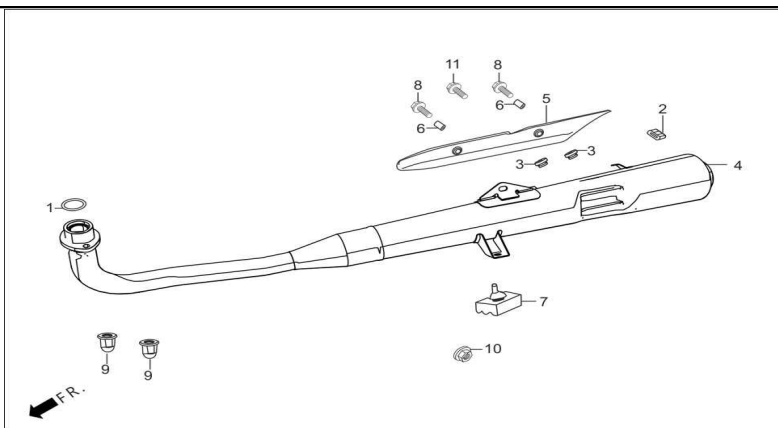
| Service Item | F.R.T. | Group Number: F-15-SELF Model :: Passion Pro (Aug, 2015) | | | |
|--------------------------------|--------|--|----------------|------------------------|------|
| | | Ref No. | Part Number | Description | Req. |
| * ELEMENT 'A' AIR CLEANER | 0.2 | 1 | 17199-AAC-200 | TUBE DRAIN | 1 |
| * HOLDER, ELEMENT | | 3 | 17212-KCC-900 | HOLDER ELEMENT | 1 |
| * ELEMENT 'B' AIR CLEANER | | 4 | 17213-KWA-940 | ELEMENT AIR/C | 1 |
| *COVER, AIR CLEANER CASE | | 6 | 17218-KTC-900 | SEAL AIR CLEANER | 1 |
| * WATER GUARD, FR. | | 7 | 17219-KTC-900 | SEAL, A/I CLEANER | 1 |
| *DUCT AIR/C INLET | | 8 | 17220-KWA-940 | COVER AIR CLEANER | 1 |
| * TUBE, AIR CLEANER CONNECTING | | 9 | 17224-KWA-830 | WATER, GUARD FR | 1 |
| | | 10 | 17210-KWA-840 | CASE, AIR/C | 1 |
| | | 11 | 17234-KCC-940 | TUBE AIR CLEANER DRAIN | 1 |
| | | 12 | 17251-KWA-940 | DUCT AIR/C INLET | 1 |
| | | 13 | 17253-KTC-900 | TUBE, AIR/C CONN. | 1 |
| | | 14 | 18651-KST-900 | PLUG,AIR/C | 1 |
| | | 15 | 83407-KTR-940 | RUBBER, BATTERY | 3 |
| | | 16 | 90111-187-000 | BOLT, FLANGE. 6 MM | 2 |
| | | 17 | 90311-MT3-000 | NUT, CLIP, 6 MM | 1 |
| | | 18 | 90101-KWA-830 | BOLT FLANGE 6X18 | 1 |
| | | 19 | 93903-24380 | SCREW TAPPING, 4 X 12 | 1 |
| | | 20 | 93500-05016-1H | SCREW, PAN, 5 X 16 | 5 |
| | | 21 | 94101-05000 | WASHER , PLAIN, 5MM | 5 |
| | | 22 | 95002-02130 | CLIP B 12.5 TUBE | 1 |

F-15-SELF
AIR CLEANER



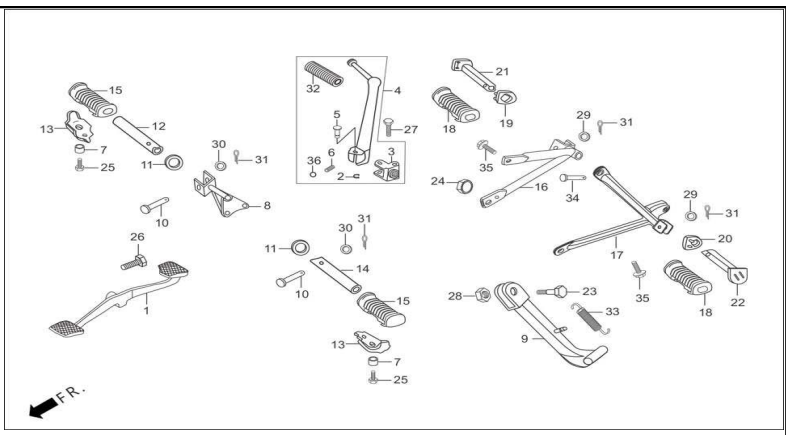
| Service Item | F.R.T. | Group Number: F-15-SELF Model :: Passion Pro (Aug, 2015) | | | |
|--------------------------------|--------|--|----------------|--------------------------|------|
| | | Ref No. | Part Number | Description | Req. |
| * ELEMENT 'A' AIR CLEANER | 0.2 | | | | |
| * HOLDER, ELEMENT | | 23 | 95018-46320 | BAND 46 AIR/C CONN. TUBE | 1 |
| * ELEMENT 'B' AIR CLEANER | | 24 | 95701-06012-08 | BOLT, FLANGE, 6 X 12 | 1 |
| *COVER, AIR CLEANER CASE | | | | | |
| * WATER GUARD, FR. | | | | | |
| *DUCT AIR/C INLET | | | | | |
| * TUBE, AIR CLEANER CONNECTING | | | | | |

F-16
MUFFLER



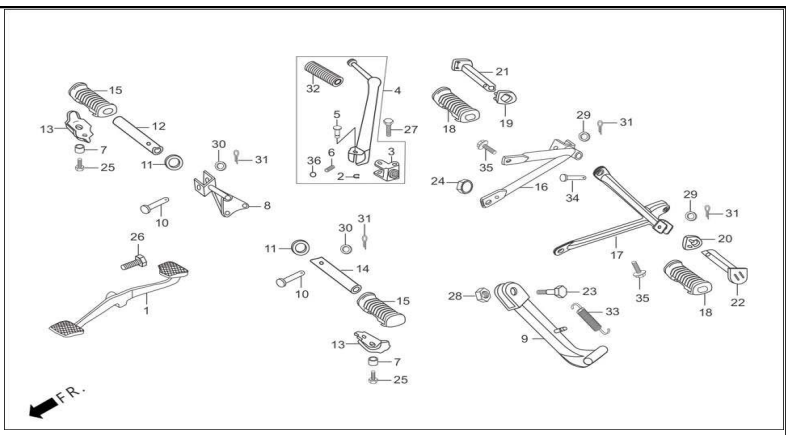
| Service Item | F.R.T. | Group Number: F-16 Model :: Passion Pro (Aug, 2015) | | | |
|-----------------------|--------|---|----------------|---------------------------|------|
| | | Ref No. | Part Number | Description | Req. |
| * COVER, EXH. PIPE | 0.1 | 1 | 18291-KTC-900 | GASKET, EXHAUST PIPE | 1 |
| * GASKET, EXH. PIPE | | 2 | 18293-KPK-900 | RUBBER, PKG. PROTECTOR | 1 |
| * GUIDE, TUBE | 0.2 | 3 | 18345-MBT-610 | RUBBER, PROTECTOR, MOUNT | 2 |
| * MUFFLER COMP., EXH. | 0.3 | 4 | 18350-AAC-201 | MUFFLER COMP. EXH. | 1 |
| | | 5 | 18355-AAC-200 | COVER MUFFLER | 1 |
| | | 6 | 33619-459-840A | COLLAR,WINKER STAY | 2 |
| | | 7 | 50505-KCC-900 | STOPPER RUBBER, 'A' STAND | 1 |
| | | 8 | 90107-KAN-900 | BOLT, BODY COVER SET | 2 |
| | | 9 | 90304-438-000 | NUT, HEX. CAP, 6 MM | 2 |
| | | 10 | 94050-08000 | NUT, FLANGE, 8MM | 1 |
| | | 11 | 95701-08016-00 | BOLT, FLANGE, 8X16 | 1 |

F-17
STEP ASSY./KICK STARTER



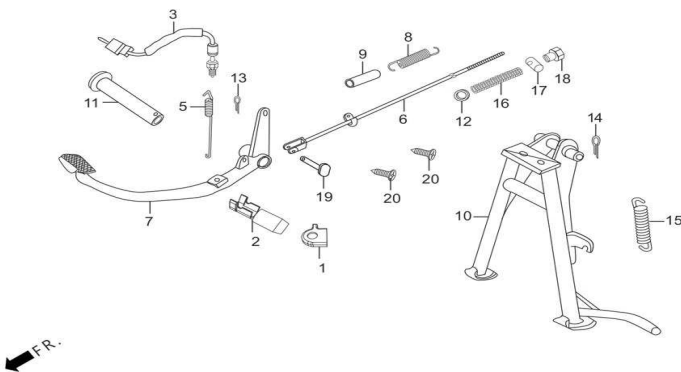
| Service Item | F.R.T. | Group Number: F-17 Model :: Passion Pro (Aug, 2015) | | | |
|--|--------|---|---------------|--------------------------------|------|
| | | Ref No. | Part Number | Description | Req. |
| * PEDAL, GEAR CHANGE | 0.1 | 1 | 24701-KWA-940 | PEDAL, GEAR CHANGE | 1 |
| * ARM ASSY., KICK STARTER | | 2 | 28293-KAG-900 | CLIP, KICK STARTER | 1 |
| * BAR COMP., SIDE STAND | | 3 | 28302-KWA-940 | JOINT KICK ARM | 1 |
| * BRACKET COMP., RIGHT/LEFT PILLION STEP | | 4 | 2830A-KWA-941 | ARM, SUB ASSY., KICK STARTER | 1 |
| | | 5 | 28321-427-770 | PIN KICK STARTER | 1 |
| | | 6 | 28333-124-000 | SPRING, KICK STARTER STOPPER | 1 |
| | | 7 | 37243-323-000 | COLLAR, METER SET | 2 |
| | | 8 | 50160-KCC-900 | BRACKET COMP., 'R' STEP | 1 |
| | | 9 | 50530-KCC-900 | BAR COMP. SIDE STAND | 1 |
| | | 10 | 50603-KB4-000 | PIN, MAIN STEP BAR JOINT | 2 |
| | | 11 | 50614-413-000 | WASHER, MAIN STEP | 2 |
| | | 12 | 50618-KCC-000 | BAR 'R' STEP | 1 |
| | | 13 | 50619-425-010 | STOPPER, STEP RUBBER | 2 |
| | | 14 | 50619-KCC-000 | BAR 'L' STEP | 1 |
| | | 15 | 50661-425-670 | RUBBER STEP | 2 |
| | | 16 | 50701-KWA-830 | BRACKET COMP, 'R' PILLION STEP | 1 |
| | | 17 | 50702-KST-940 | BRACKET COMP. 'L' PILLION STEP | 1 |
| | | 18 | 50710-461-770 | RUBBER, STEP PILLION | 2 |
| | | 19 | 50712-438-730 | WASHER, 'R' PILLION STEP | 1 |
| | | 20 | 50713-438-730 | WASHER 'L' PILLION STEP | 1 |

F-17
STEP ASSY./KICK STARTER



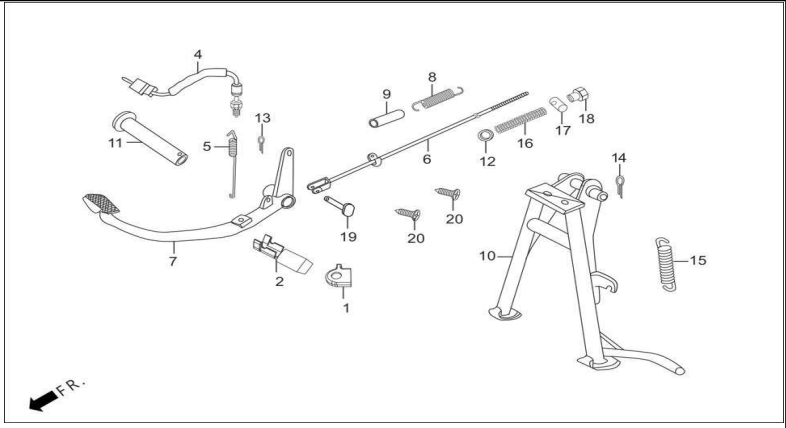
| Service Item | F.R.T. | Group Number: F-17 Model :: Passion Pro (Aug, 2015) | | | |
|--|--------|---|----------------|--------------------------|------|
| | | Ref No. | Part Number | Description | Req. |
| * PEDAL, GEAR CHANGE | 0.1 | | | | |
| * ARM ASSY., KICK STARTER | | 21 | 50715-KCC-900 | BAR 'R' PILLION STEP | 1 |
| * BAR COMP., SIDE STAND | | 22 | 50718-KCC-900 | BAR 'L' PILLION STEP | 1 |
| * BRACKET COMP., RIGHT/LEFT PILLION STEP | | 23 | 90107-AAD-000 | SCREW, SIDE STAND PIVOT | 1 |
| | | 24 | 90304-KST-942 | NUT FLG.PT 10MM | 1 |
| | | 25 | 92000-06016-0A | BOLT, HEX., 6 X 16 | 2 |
| | | 26 | 92000-06020-0H | BOLT HEX., 6 X 20 | 1 |
| | | 27 | 92101-06032-0A | BOLT, FLANGE, 6 X 32 | 1 |
| | | 28 | 94030-10000 | NUT HEX., 10MM | 1 |
| | | 29 | 94101-06000 | WASHER, PLAIN, 6 MM | 2 |
| | | 30 | 94101-08000 | WASHER, PLAIN, 8MM | 2 |
| | | 31 | 94201-16150 | PIN, SPLIT, 1.6 X 15 | 4 |
| | | 32 | 95011-51000 | RUBBER, 'A' KICK STARTER | 1 |
| | | 33 | 95014-72302 | SPRING, 'C' SIDE STAND | 1 |
| | | 34 | 95015-81000 | PIN A PILLION STEP | 1 |
| | | 35 | 95701-08016-07 | BOLT FLANGE, 8 X 16 | 2 |
| | | 36 | 96211-08000 | BALL STEEL 8 MM | 1 |

F-18-KICK
MAIN STAND/PEDAL BRAKE



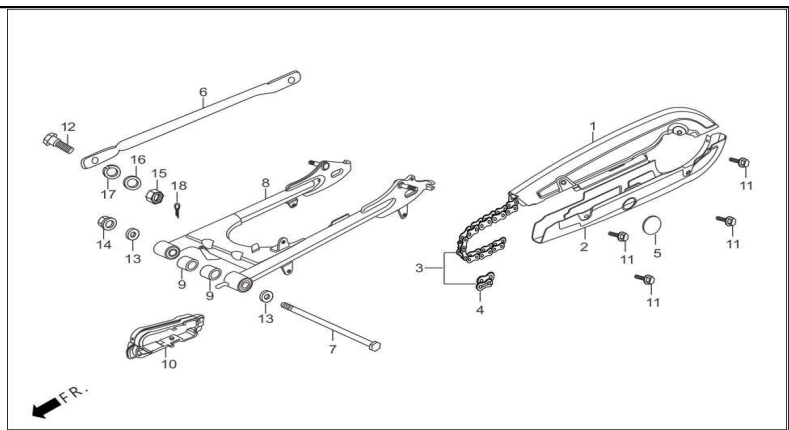
| Service Item | F.R.T. | Group Number: F-18-KICK Model :: Passion Pro (Aug, 2015) | | | |
|--------------------------|--------|--|-----------------|--------------------------------|------|
| | | Ref No. | Part Number | Description | Req. |
| * SWITCH ASSY., RR. STOP | 0.2 | 1 | 35130-AAD-00099 | MAGNET HOLDER | 1 |
| * ROD COMP., RR. BRAKE | 0.3 | 2 | 35140-AAD-00099 | SENSOR ASSY SIDE STAND | 1 |
| * PEDAL, BRAKE | 0.5 | 3 | 35350-KWA-930 | SWITCH ASSY., REAR STOP (KICK) | 1 |
| * SPRING, BRAKE PEDAL | 0.1 | 5 | 35357-KWA-830 | SPRING, STOP SWITCH | 1 |
| * STAND COMP. MAIN | 0.4 | 6 | 43451-KCC-600 | ROD COMP. RR. BRAKE | 1 |
| | | 7 | 46500-KWA-830 | PEDAL, BRAKE | 1 |
| | | 8 | 46514-KCC-900 | SPRING, BRAKE PEDAL | 1 |
| | | 9 | 46515-KB9-000 | TUBE, BRAKE PEDAL SPRING | 1 |
| | | 10 | 50500-KCC-870 | STAND COMP. MAIN | 1 |
| | | 11 | 50512-KTC-900 | PIPE, RR. BRAKE PIVOT | 1 |
| | | 12 | 90502-198-900 | WASHER, BRAKE ROD | 1 |
| | | 13 | 94201-20150 | PIN, SPLIT, 2.0 X 15 | 1 |
| | | 14 | 94201-30250 | PIN, SPLIT, 3.0 X 25 | 1 |
| | | 15 | 95014-71702 | SPRING 'G' MAIN STAND | 1 |
| | | 16 | 95014-73100 | SPRING 'A' BRAKE ROD | 1 |
| | | 17 | 95015-32001 | JOINT 'B' BRAKE ARM | 1 |
| | | 18 | 95015-42000 | NUT B ADJUST | 1 |
| | | 19 | 95015-53000 | PIN, 'C' JOINT | 1 |
| | | 20 | 93891-05014-18 | SCREW, WASHER, 5 X 14 | 2 |

F-18-SELF
MAIN STAND/PEDAL BRAKE



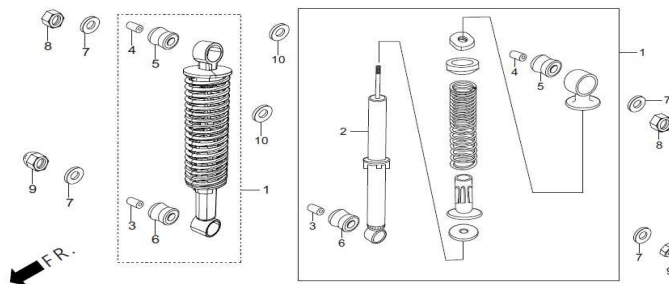
| Service Item | F.R.T. | Group Number: F-18-SELF Model :: Passion Pro (Aug, 2015) | | | |
|--------------------------|--------|--|-----------------|--------------------------------|------|
| | | Ref No. | Part Number | Description | Req. |
| * SWITCH ASSY., RR. STOP | 0.2 | 1 | 35130-AAD-00099 | MAGNET HOLDER | 1 |
| * ROD COMP., RR. BRAKE | 0.3 | 2 | 35140-AAD-00099 | SENSOR ASSY SIDE STAND | 1 |
| * PEDAL, BRAKE | 0.5 | 4 | 35350-KWA-940 | SWITCH ASSY., REAR STOP (SELF) | 1 |
| * SPRING, BRAKE PEDAL | 0.1 | 5 | 35357-KWA-830 | SPRING, STOP SWITCH | 1 |
| * STAND COMP. MAIN | 0.4 | 6 | 43451-KCC-600 | ROD COMP. RR. BRAKE | 1 |
| | | 7 | 46500-KWA-830 | PEDAL, BRAKE | 1 |
| | | 8 | 46514-KCC-900 | SPRING, BRAKE PEDAL | 1 |
| | | 9 | 46515-KB9-000 | TUBE, BRAKE PEDAL SPRING | 1 |
| | | 10 | 50500-KCC-870 | STAND COMP. MAIN | 1 |
| | | 11 | 50512-KTC-900 | PIPE, RR. BRAKE PIVOT | 1 |
| | | 12 | 90502-198-900 | WASHER, BRAKE ROD | 1 |
| | | 13 | 94201-20150 | PIN, SPLIT, 2.0 X 15 | 1 |
| | | 14 | 94201-30250 | PIN, SPLIT, 3.0 X 25 | 1 |
| | | 15 | 95014-71702 | SPRING 'G' MAIN STAND | 1 |
| | | 16 | 95014-73100 | SPRING 'A' BRAKE ROD | 1 |
| | | 17 | 95015-32001 | JOINT 'B' BRAKE ARM | 1 |
| | | 18 | 95015-42000 | NUT B ADJUST | 1 |
| | | 19 | 95015-53000 | PIN, 'C' JOINT | 1 |
| | | 20 | 93891-05014-18 | SCREW, WASHER, 5 X 14 | 2 |

F-19
REAR FORK/CHAIN CASE



| Service Item | F.R.T. | Group Number: F-19 Model :: Passion Pro (Aug, 2015) | | | |
|--|--------|---|----------------|-----------------------------|------|
| | | Ref No. | Part Number | Description | Req. |
| * CASE, UPPER (HALF) DRIVE CHAIN (ONE OR ALL) | 0.1 | 1 | 40510-KWA-940 | CASE UP (HALF) DRIVE CHAIN | 1 |
| * CHAIN, DRIVE | 0.3 | 2 | 40520-KWA-940 | CASE UND (HALF) DRIVE CHAIN | 1 |
| * ARM, RR BRAKE STOPPER | 0.2 | 3 | 40530-KST-940 | CHAIN DRIVE (420-108) | 1 |
| * SWING ARM COMP., RR. | 0.7 | 4 | 40531-KTE-910 | JOINT RJ.DRIVE CHAIN | 1 |
| * RUBBER BUSH, RR. FORK PIVOT | 1.0 | 5 | 40545-001-000 | CAP, CHAIN PEEP HOLE | 1 |
| * PACKING, DRIVE CHAIN CASE | | 6 | 43431-198-900 | ARM,RR. BRAKE STOPPER | 1 |
| | | 7 | 52101-KST-940 | BOLT, SWING ARM PIVOT | 1 |
| | | 8 | 52110-AAC-400 | SWINGARM COMP,, REAR | 1 |
| | | 9 | 52147-KTC-900 | RUBBER BUSH, RR. FORK PIVOT | 2 |
| | | 10 | 52170-AAJ-H40 | SLIDER CHAIN | 1 |
| | | 11 | 90118-383-000 | BOLT, WASHER, 6 X6 | 4 |
| | | 12 | 90133-331-770 | BOLT, HEX., 8MM | 1 |
| | | 13 | 90183-KTC-900 | WASHER, SPL., 12 MM | 2 |
| | | 14 | 90306-KTE-911 | NUT, CASTLE, 12 MM | 1 |
| | | 15 | 94001-08000-05 | NUT, HEX., 8 MM | 1 |
| | | 16 | 94101-08000 | WASHER, PLAIN, 8MM | 1 |
| | | 17 | 94111-10000 | WASHER, SPRING, 10MM | 1 |
| | | 18 | 94201-20150 | PIN, SPLIT, 2.0 X 15 | 1 |

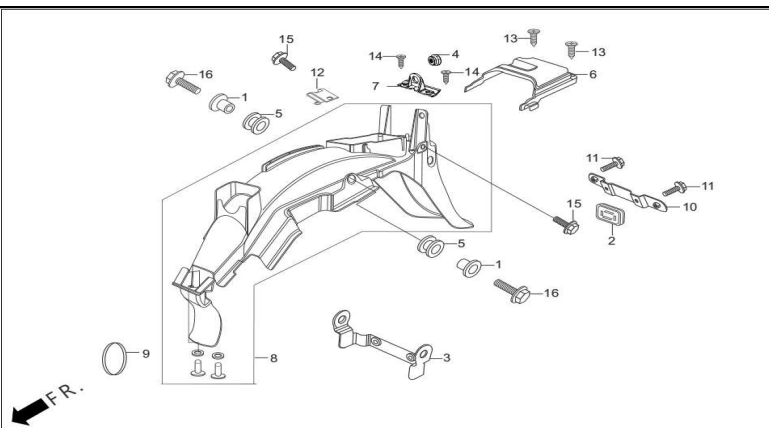
F-20
REAR CUSHION



| | | |
|---------------------|---------------|--|
| Service Item | F.R.T. | Group Number: F-20 Model :: Passion Pro (Aug, 2015) |
| *CUSHION ASSY RR. | 0.2 | |

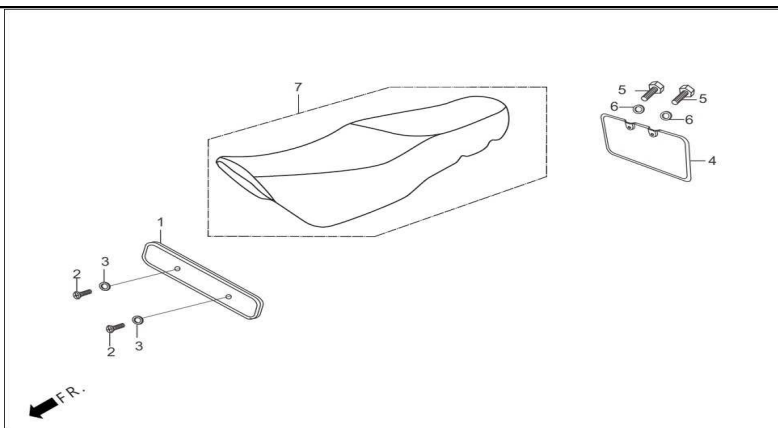
| Ref No. | Part Number | Description | Req. |
|---------|----------------|-----------------------------|------|
| 1 | 52400-KWA-941 | CUSHION ASSY., REAR | 2 |
| 2 | 52410-KCC-871 | DAMPER COMP., REAR | 2 |
| 3 | 52486-KAG-900 | COLLAR, RUBBER BUSH (UNDER) | 2 |
| 4 | 52486-KTN-701 | COLLAR, RUBBER BUSH (UPPER) | 2 |
| 5 | 52489-399-600 | BUSH, RUBBER (UPPER) | 2 |
| 6 | 52495-098-000 | BUSH, RUBBER (UNDER) | 2 |
| 7 | 90551-178-000 | WASHER, SPL., 10MM | 4 |
| 8 | 94001-10000-0S | NUT, HEX., 10 MM | 2 |
| 9 | 94021-10000-0S | NUT, HEX., CAP, 10MM | 2 |
| 10 | 94101-12800 | WASHER, PLAIN, 12 MM | 2 |

F-21
REAR FENDER



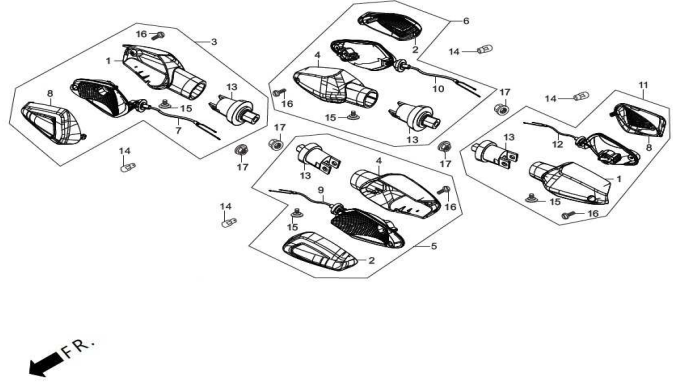
| Service Item | F.R.T. | Group Number: F-21 Model :: Passion Pro (Aug, 2015) | | | |
|---------------------|--------|---|----------------|-------------------------|------|
| | | Ref No. | Part Number | Description | Req. |
| * FENDER COMP., RR | 0.6 | 1 | 17509-398-960 | COLLAR, TANK SET | 2 |
| * STAY, REAR WINKER | | 2 | 33741-KTC-900 | REFLEX, REFLECTOR | 1 |
| * COVER, TOOL TRAY | | 3 | 50186-KWA-830 | STAY, RR. WINKER | 1 |
| | | 4 | 61304-KRY-900 | RUBBER,LIGHT CASE MOUNT | 1 |
| | | 5 | 77202-KCC-900 | RUBBER, SEAT MOUNTING | 2 |
| | | 6 | 80104-KCC-870H | COVER TOOL TRAY | 1 |
| | | 7 | 80105-AAC-220 | PLATE RR FENDER | 1 |
| | | 8 | 80120-AAC-H30 | SET, REAR FENDER | 1 |
| | | 9 | 80123-KCC-870 | BAND, TOOL | 1 |
| | | 10 | 84701-KCC-860 | BRACKET, NUMBER PLATE | 1 |
| | | 11 | 90111-187-000 | BOLT, FLANGE. 6 MM | 2 |
| | | 12 | 90320-GC3-000 | NUT, SPRING, M5 | 1 |
| | | 13 | 93913-25210 | SCREW, TAPPING, 5 X 12 | 2 |
| | | 14 | 93903-24380 | SCREW TAPPING, 4 X 12 | 2 |
| | | 15 | 95701-06012-00 | BOLT, FLANGE, 6X12 | 2 |
| | | 16 | 95701-06020-08 | BOLT, FLANGE, 6 X 20 | 2 |

F-21A
FR./RR. NUMBER/PLATE (OPTIONAL)



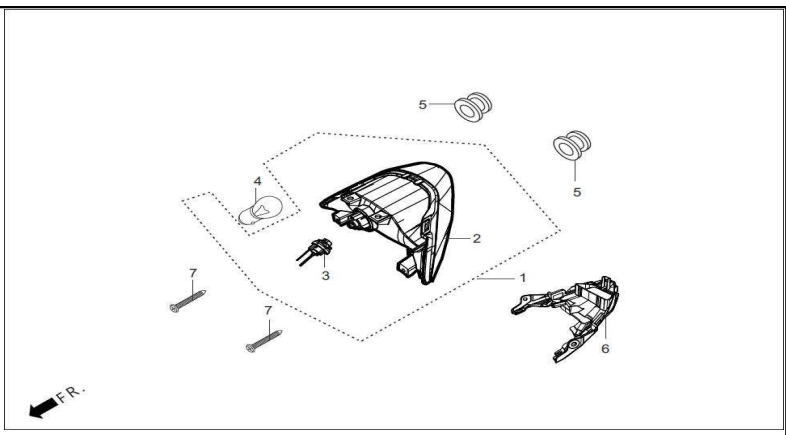
| Service Item | F.R.T. | Group Number: F-21A Model :: Passion Pro (Aug, 2015) | | | |
|---------------------|--------|--|----------------|--|------|
| | | Ref No. | Part Number | Description | Req. |
| * FENDER COMP., RR | 0.6 | 1 | 64310-198-D20A | PLATE, FRONT NUMBER | 1 |
| * STAY, REAR WINKER | | 2 | 93500-05010-1A | SCREW, PAN, 5X10 | 2 |
| * COVER, TOOL TRAY | | 3 | 94101-05000 | WASHER , PLAIN, 5MM | 2 |
| | | 4 | 84701-P26-D00A | NUMBER, PLATE REAR | 1 |
| | | 5 | 92000-06016-0A | BOLT, HEX., 6 X 16 | 2 |
| | | 6 | 94101-06000 | WASHER, PLAIN, 6 MM | 2 |
| | | 7 | 99632-AAC-831 | SEAT COVER-SL SIDE & LAMINATION PASSION | 1 |
| | | | 99633-AAC-831 | SEAT COVER-MESH & LAMINATION PASSION P | 1 |
| | | | 99634-AAC-831 | SEAT COVER-SL TOP & LAMINATION PASSION P | 1 |

F-22
WINKERS



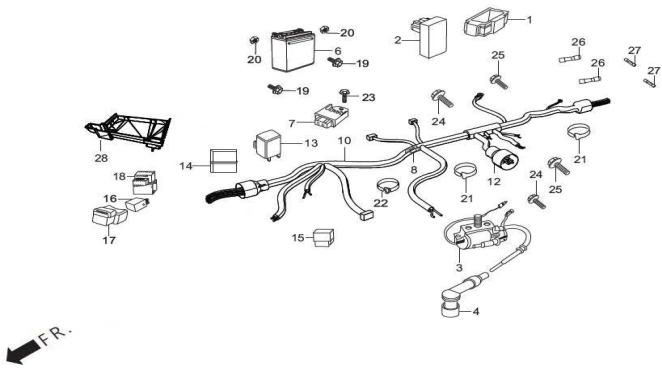
| Service Item | F.R.T. | Group Number: F-22 Model :: Passion Pro (Aug, 2015) | | | |
|--|--------|---|---------------|-----------------------------|------|
| | | Ref No. | Part Number | Description | Req. |
| * WINKER ASSY., R/L FR (ADD 0.1 FOR EACH) | 0.2 | 1 | 33401-AAC-201 | BASE WINKER 'R' | 2 |
| * WINKER ASSY., R/L RR. (ONE OR ALL) | 0.3 | 2 | 33402-AAC-201 | LENS LH | 2 |
| (INC. RELATED PART) | | 3 | 3340B-AAC-201 | WINKER ASSY R FR(W/O Bulb) | 1 |
| (EXC. RELATED PART BELOW) | | 4 | 33451-AAC-201 | BASE WINKER 'L' | 2 |
| *BULB, WINKER | 0.1 | 5 | 3345B-AAC-201 | WINKER ASSY L FR(W/O Bulb) | 1 |
| * WHEN SERVICING COMP., UNIT, (F.R.T IS 0.2) | | 6 | 3360B-AAC-201 | WINKER ASSY. R RR(W/O Bulb) | 1 |
| | | 7 | 33415-AAC-201 | SOCKET COMP. R WINKER | 1 |
| | | 8 | 33452-AAC-201 | LENS RH | 2 |
| | | 9 | 33465-AAC-201 | SOCKET COMP L WINKER | 1 |
| | | 10 | 33615-AAC-201 | SOCKET COMP. R WINKER | 1 |
| | | 11 | 3365B-AAC-201 | WINKER AASY. L RR(W/O Bulb) | 1 |
| | | 12 | 33665-AAC-201 | SOCKET COMP.L WINKER | 1 |
| | | 13 | 33491-KAF-000 | STAY COMP., WINKER | 4 |
| | | 14 | 34930-KWA-930 | BULB AMBER (12V 10W) | 4 |
| | | 15 | 90380-MB2-000 | SCREW, SPECIAL, 6 X 8 | 4 |
| | | 16 | 90101-AAC-200 | SCREW SPECIAL 2.9X22 | 4 |
| | | 17 | 94050-10000 | NUT, FLANGE, 10MM | 4 |

F-23
TAIL LIGHT



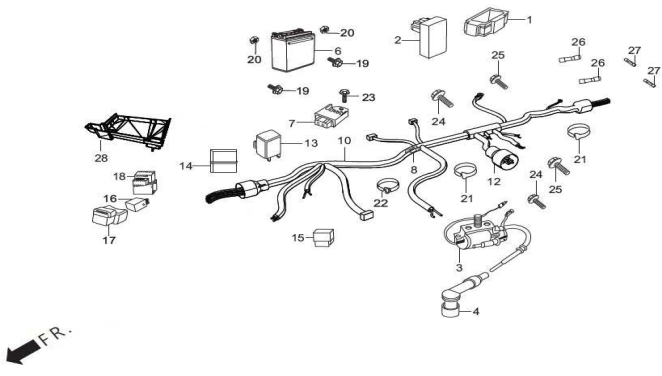
| Service Item | F.R.T. | Group Number: F-23 Model :: Passion Pro (Aug, 2015) | | | |
|----------------------|--------|---|---------------|-------------------------|------|
| | | Ref No. | Part Number | Description | Req. |
| * UNIT, TAIL LIGHT., | 0.4 | 1 | 3370B-AAC-201 | UNIT TAIL LAMP | 1 |
| * LENS, TAIL LIGHT | | 2 | 33702-AAC-201 | UNIT COMP TAIL LAMP | 1 |
| * BASE COMP., RR. | | 3 | 33703-AAC-201 | SOCKET COMP | 1 |
| * BULB, TAIL LIGHT | 0.1 | 4 | 34907-KVN-901 | BLUB, TAIL & STOP LIGHT | 1 |
| | | 5 | 61103-357-000 | RUBBER FR. FENDER MOUNT | 2 |
| | | 6 | 77237-AAC-220 | COVER LICENSE LIGHT | 1 |
| | | 7 | 93903-24380 | SCREW TAPPING, 4 X 12 | 2 |

F-24-DISC-SELF
WIRE HARNESS/BATTERY



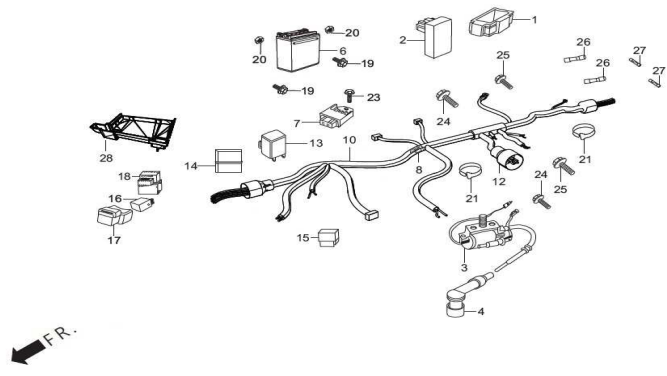
| Service Item | F.R.T. | Group Number: F-24-DISC-SELF Model :: Passion Pro (Aug, 2015) | | | |
|------------------------------|--------|---|----------------|-----------------------------------|------|
| | | Ref No. | Part Number | Description | Req. |
| * UNIT COMP., C.D.I. | 0.4 | 1 | 30401-KTE-910 | CUSHION, C.D.I. UNIT | 1 |
| * COIL ASSY., IGNITION | -- | 2 | 30410-KWA-931 | UNIT COMP CDI | 1 |
| * RECTIFIER COMP., REGULATOR | -- | 3 | 30500-AAC-201 | COIL ASSY., IGN. | 1 |
| * BATTERY ASSY., | -- | 4 | 30700-KWA-831 | CAP ASSY,NOISE SUPPRESSOR | 1 |
| * RELAY COMP., WINKER | 0.9 | 6 | 31500-KVT-801 | BATTERY, ASSY. | 1 |
| * HARNESS, WIRE | -- | 7 | 31600-KWF-841 | REG RECT.COMP | 1 |
| * RESISTOR ASY., | -- | 8 | 31700-124-000 | RECTIFIER ASSY., SILICON | 1 |
| | | 10 | 32100-AAC-210 | HARNESS WIRE | 1 |
| | | 12 | 32108-344-820 | COVER, CONNECTOR | 1 |
| | | 13 | 38301-KWA-831 | RELAY COMP., WINKER | 1 |
| | | 14 | 38306-GE7-000 | SUSPENSION, WINKER RELAY | 1 |
| | | 15 | 38501-KTP-890 | RELAY COMP., START | 1 |
| | | 16 | 38502-KSP-910 | RELAY COMP., POWER (MICRO ISO 5P) | 1 |
| | | 17 | 38506-KSP-910 | SUS., POWER RELAY | 1 |
| | | 18 | 38506-KWA-840 | SUSP. START RELAY | 1 |
| | | 19 | 90122-KVT-941 | BOLT BATTERY TERMINAL | 2 |
| | | 20 | 90306-KVT-941 | NUT BATTERY TERMINAL | 2 |
| | | 21 | 91540-S30-003 | CLIP BAND, HARN | 2 |
| | | 22 | 91541-S0A-003 | CLIP BAND HARN | 1 |
| | | 23 | 95701-06012-08 | BOLT, FLANGE, 6 X 12 | 1 |

F-24-DISC-SELF
WIRE HARNESS/BATTERY



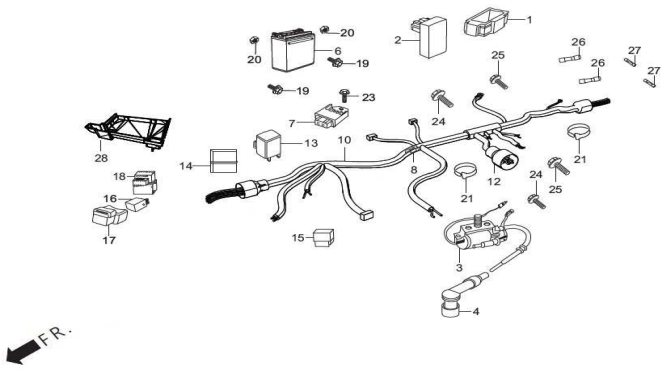
| Service Item | F.R.T. | Group Number: F-24-DISC-SELF Model :: Passion Pro (Aug, 2015) | | | |
|------------------------------|--------|---|----------------|--------------------------|------|
| | | Ref No. | Part Number | Description | Req. |
| * UNIT COMP., C.D.I. | 0.4 | | | | |
| * COIL ASSY., IGNITION | -- | 24 | 95701-06014-18 | BOLT, FLANGE, 6 X 14 | 2 |
| * RECTIFIER COMP., REGULATOR | -- | 25 | 96001-06020-00 | BOLT, FLANGE, SH. 6 X 20 | 2 |
| * BATTERY ASSY., | -- | 26 | 98200-31000 | BLADE, FUSE 10A | 2 |
| * RELAY COMP., WINKER | -- | 27 | 98200-31500 | BLADE, FUSE, 15A | 2 |
| * HARNESS, WIRE | 0.9 | 28 | 50325-AAC-220 | BOX UPPER, BATTERY | 1 |
| * RESISTOR ASY., | -- | | | | |

F-24-DRUM-SELF
WIRE HARNESS/BATTERY



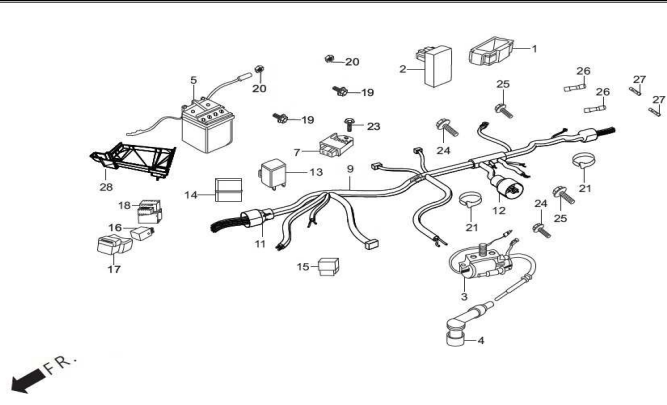
| Service Item | F.R.T. | Group Number: F-24-DRUM-SELF Model :: Passion Pro (Aug, 2015) | | | |
|------------------------------|--------|---|----------------|-----------------------------------|------|
| | | Ref No. | Part Number | Description | Req. |
| * UNIT COMP., C.D.I. | 0.4 | 1 | 30401-KTE-910 | CUSHION, C.D.I. UNIT | 1 |
| * COIL ASSY., IGNITION | -- | 2 | 30410-KWA-931 | UNIT COMP CDI | 1 |
| * RECTIFIER COMP., REGULATOR | -- | 3 | 30500-AAC-201 | COIL ASSY., IGN. | 1 |
| * BATTERY ASSY., | -- | 4 | 30700-KWA-831 | CAP ASSY,NOISE SUPPRESSOR | 1 |
| * RELAY COMP., WINKER | 0.9 | 6 | 31500-KVT-801 | BATTERY, ASSY. | 1 |
| * HARNESS, WIRE | -- | 7 | 31600-KWF-841 | REG RECT.COMP | 1 |
| * RESISTOR ASY., | -- | 8 | 31700-124-000 | RECTIFIER ASSY., SILICON | 1 |
| | | 10 | 32100-AAC-210 | HARNESS WIRE | 1 |
| | | 12 | 32108-344-820 | COVER, CONNECTOR | 1 |
| | | 13 | 38301-KWA-831 | RELAY COMP., WINKER | 1 |
| | | 14 | 38306-GE7-000 | SUSPENSION, WINKER RELAY | 1 |
| | | 15 | 38501-KTP-890 | RELAY COMP., START | 1 |
| | | 16 | 38502-KSP-910 | RELAY COMP., POWER (MICRO ISO 5P) | 1 |
| | | 17 | 38506-KSP-910 | SUS., POWER RELAY | 1 |
| | | 18 | 38506-KWA-840 | SUSP. START RELAY | 1 |
| | | 19 | 90122-KVT-941 | BOLT BATTERY TERMINAL | 2 |
| | | 20 | 90306-KVT-941 | NUT BATTERY TERMINAL | 2 |
| | | 21 | 91540-S30-003 | CLIP BAND, HARN | 2 |
| | | 23 | 95701-06012-08 | BOLT, FLANGE, 6 X 12 | 1 |
| | | 24 | 95701-06014-18 | BOLT, FLANGE, 6 X 14 | 2 |

F-24-DRUM-SELF
WIRE HARNESS/BATTERY



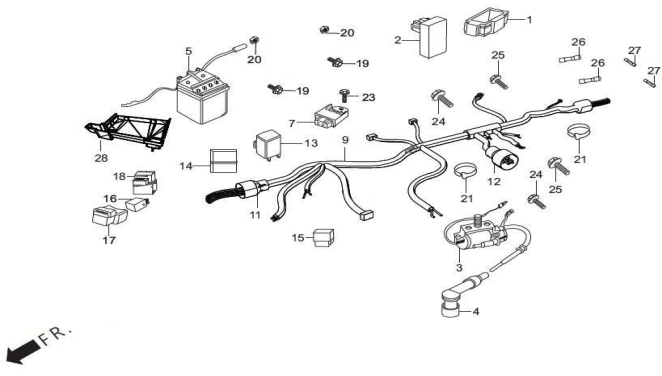
| Service Item | F.R.T. | Group Number: F-24-DRUM-SELF Model :: Passion Pro (Aug, 2015) | | | |
|------------------------------|--------|---|----------------|--------------------------|------|
| | | Ref No. | Part Number | Description | Req. |
| * UNIT COMP., C.D.I. | 0.4 | | | | |
| * COIL ASSY., IGNITION | -- | 25 | 96001-06020-00 | BOLT, FLANGE, SH. 6 X 20 | 2 |
| * RECTIFIER COMP., REGULATOR | -- | 26 | 98200-31000 | BLADE, FUSE 10A | 2 |
| * BATTERY ASSY., | -- | 27 | 98200-31500 | BLADE, FUSE, 15A | 2 |
| * RELAY COMP., WINKER | -- | 28 | 50325-AAC-220 | BOX UPPER, BATTERY | 1 |
| * HARNESS, WIRE | 0.9 | | | | |
| * RESISTOR ASY., | -- | | | | |

F-24-DRUM-KICK
WIRE HARNESS/BATTERY



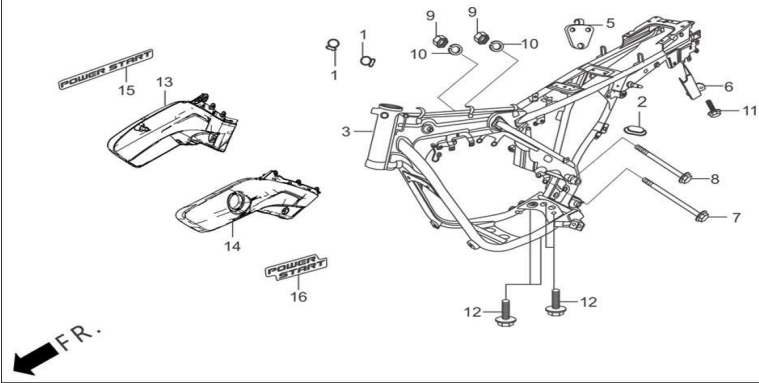
| Service Item | F.R.T. | Group Number: F-24-DRUM-KICK Model :: Passion Pro (Aug, 2015) | | | |
|------------------------------|--------|---|----------------|-----------------------------------|------|
| | | Ref No. | Part Number | Description | Req. |
| * UNIT COMP., C.D.I. | 0.4 | 1 | 30401-KTE-910 | CUSHION, C.D.I. UNIT | 1 |
| * COIL ASSY., IGNITION | -- | 2 | 30410-KWA-931 | UNIT COMP CDI | 1 |
| * RECTIFIER COMP., REGULATOR | -- | 3 | 30500-AAC-201 | COIL ASSY., IGN. | 1 |
| * BATTERY ASSY., | -- | 4 | 30700-KWA-831 | CAP ASSY,NOISE SUPPRESSOR | 1 |
| * RELAY COMP., WINKER | -- | 5 | 31500-KWS-801 | BATTERY ASSY., MF3-BS | 1 |
| * HARNESS, WIRE | 0.9 | 7 | 31600-KWF-841 | REG RECT.COMP | 1 |
| * RESISTOR ASY., | -- | 9 | 32100-AAC-200 | HARNESS WIRE | 1 |
| | | 11 | 32108-KE8-000 | COVER,CONNECTOR | 1 |
| | | 12 | 32108-344-820 | COVER, CONNECTOR | 1 |
| | | 13 | 38301-KWA-831 | RELAY COMP., WINKER | 1 |
| | | 14 | 38306-GE7-000 | SUSPENSION, WINKER RELAY | 1 |
| | | 15 | 38501-KTP-890 | RELAY COMP., START | 1 |
| | | 16 | 38502-KSP-910 | RELAY COMP., POWER (MICRO ISO 5P) | 1 |
| | | 17 | 38506-KSP-910 | SUS., POWER RELAY | 1 |
| | | 18 | 38506-KWA-840 | SUSP. START RELAY | 1 |
| | | 19 | 90122-KVT-941 | BOLT BATTERY TERMINAL | 2 |
| | | 20 | 90306-KVT-941 | NUT BATTERY TERMINAL | 2 |
| | | 21 | 91540-S30-003 | CLIP BAND, HARN | 2 |
| | | 23 | 95701-06012-08 | BOLT, FLANGE, 6 X 12 | 1 |
| | | 24 | 95701-06014-18 | BOLT, FLANGE, 6 X 14 | 2 |

F-24-DRUM-KICK
WIRE HARNESS/BATTERY



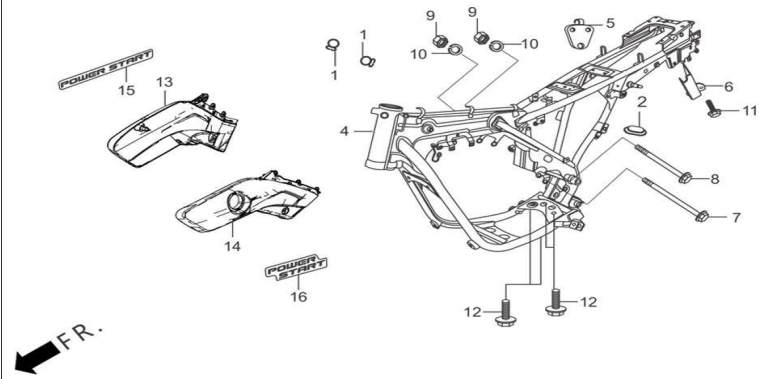
| Service Item | F.R.T. | Group Number: F-24-DRUM-KICK Model :: Passion Pro (Aug, 2015) | | | |
|------------------------------|--------|---|----------------|--------------------------|------|
| | | Ref No. | Part Number | Description | Req. |
| * UNIT COMP., C.D.I. | 0.4 | | | | |
| * COIL ASSY., IGNITION | -- | 25 | 96001-06020-00 | BOLT, FLANGE, SH. 6 X 20 | 2 |
| * RECTIFIER COMP., REGULATOR | -- | 26 | 98200-31000 | BLADE, FUSE 10A | 2 |
| * BATTERY ASSY., | -- | 27 | 98200-31500 | BLADE, FUSE, 15A | 2 |
| * RELAY COMP., WINKER | -- | 28 | 50325-AAC-220 | BOX UPPER, BATTERY | 1 |
| * HARNESS, WIRE | 0.9 | | | | |
| * RESISTOR ASY., | -- | | | | |

F-25-KICK
FRAME BODY/UTILITY BOX



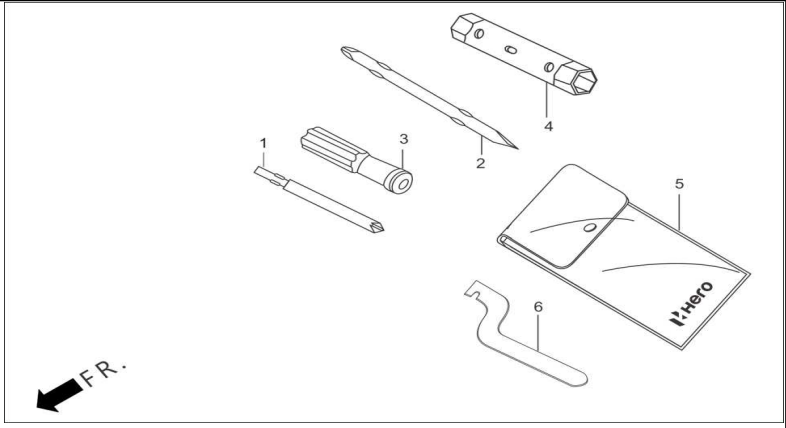
| Service Item | F.R.T. | Group Number: F-25-KICK Model :: Passion Pro (Aug, 2015) | | | |
|----------------------|--------|--|----------------|--------------------------|------|
| | | Ref No. | Part Number | Description | Req. |
| * BODY COMP., FRAME | 5.0 | 1 | 17369-198-770 | CLIP BREATHER TUBE | 2 |
| * UTILITY BOX COMP., | | 2 | 32712-ZA0-000 | GROMMET, TERM/C | 1 |
| (INC. RELATIVE PART) | | 3 | 50100-AAC-220 | FRAME, BODY COMP. (KICK) | 1 |
| | | 5 | 50211-KCC-900 | PLATE, ENGINE HANGER | 1 |
| | | 6 | 50250-KWA-830 | COVER, SEAT LOCK, CABLE | 1 |
| | | 7 | 90116-KCC-900 | BOLT FLANGE, 8 X 97 | 1 |
| | | 8 | 90117-KCC-900 | BOLT, FLANGE, 8 X 110 | 1 |
| | | 9 | 94030-08000 | NUT, HEX., 8 MM | 2 |
| | | 10 | 94111-08000 | WASHER, SPRING, 8MM | 2 |
| | | 11 | 95701-06010-08 | BOLT, FLANGE, 6X10 | 1 |
| | | 12 | 90121-AAD-500 | Bolt Flange 8 X 16 | 2 |
| | | 13 | 83510-AAC-220 | SET R SIDE COVER A | 1 |
| | | 14 | 83610-AAC-220 | SET L SIDE COVER A | 1 |

F-25-SELF
FRAME BODY/UTILITY BOX



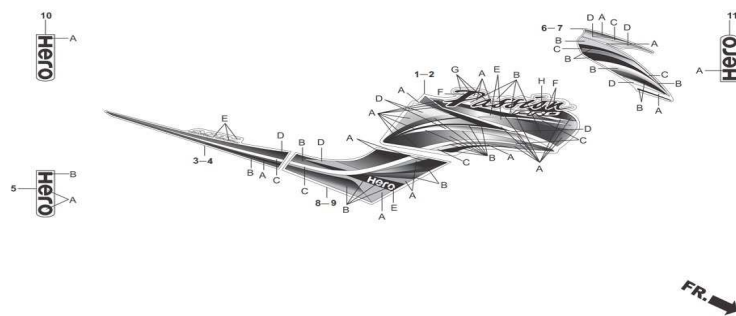
| Service Item | F.R.T. | Group Number: F-25-SELF Model :: Passion Pro (Aug, 2015) | | | |
|----------------------|--------|--|----------------|---------------------------|------|
| | | Ref No. | Part Number | Description | Req. |
| * BODY COMP., FRAME | 5.0 | 1 | 17369-198-770 | CLIP BREATHER TUBE | 2 |
| * UTILITY BOX COMP., | | 2 | 32712-ZA0-000 | GROMMET, TERM/C | 1 |
| (INC. RELATIVE PART) | | 4 | 50100-AAC-230 | FRAME BODY COMP | 1 |
| | | 5 | 50211-KCC-900 | PLATE, ENGINE HANGER | 1 |
| | | 6 | 50250-KWA-830 | COVER, SEAT LOCK, CABLE | 1 |
| | | 7 | 90116-KCC-900 | BOLT FLANGE, 8 X 97 | 1 |
| | | 8 | 90117-KCC-900 | BOLT, FLANGE, 8 X 110 | 1 |
| | | 9 | 94030-08000 | NUT, HEX., 8 MM | 2 |
| | | 10 | 94111-08000 | WASHER, SPRING, 8MM | 2 |
| | | 11 | 95701-06010-08 | BOLT, FLANGE, 6X10 | 1 |
| | | 12 | 90121-AAD-500 | Bolt Flange 8 X 16 | 2 |
| | | 13 | 83510-AAC-220 | SET R SIDE COVER A | 1 |
| | | 14 | 83610-AAC-220 | SET L SIDE COVER A | 1 |
| | | 15 | 83511-AAC-220 | MARK, UTILITY BOX R COVER | 1 |
| | | 16 | 83516-AAC-220 | MARK, UTILITY BOX L COVER | 1 |

F-26
TOOLS



| Service Item | F.R.T. | Group Number: F-26 Model :: Passion Pro (Aug, 2015) | | | |
|--------------|--------|---|---------------|-------------------------------|------|
| | | Ref No. | Part Number | Description | Req. |
| | | 1 | 89102-AAC-000 | NO.3 CROSS POINT SCREW DRIVER | 1 |
| | | 2 | 89102-538-000 | SCREW, DRIVER PLUS/MINUS | 1 |
| | | 3 | 89103-538-000 | GRIP, SCREW DRIVER | 1 |
| | | 4 | 89215-AAC-000 | BOX WRENCH P16X14 | 1 |
| | | 5 | 89216-AAD-H00 | TOOL BAG | 1 |
| | | 6 | 99007-45000 | PIN, SPANNER | 1 |

F-27
STRIPES/MARKS/EMBLEMS

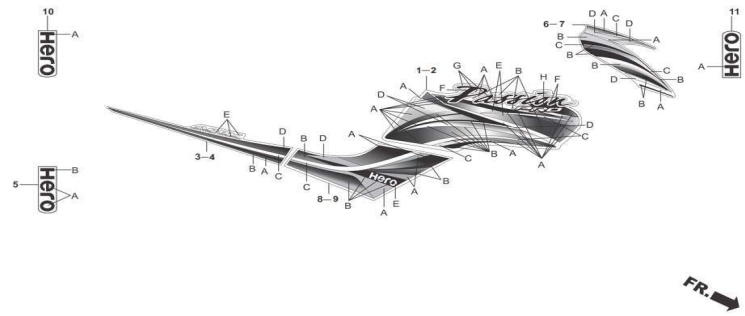


| | | | | |
|---------------------|---------------|--|--|--|
| Service Item | F.R.T. | Group Number: F-27 Model :: Passion Pro (Aug, 2015) | | |
|---------------------|---------------|--|--|--|

| Ref No. | Part Number | Description | Req. |
|---------|----------------|----------------------------|------|
| 1 | 17507-AAC-200R | STRIPE R FUEL TANK(TYPE-1) | 1 |
| | 17507-AAC-200S | STRIPE R FUEL TANK(TYPE-2) | 1 |
| | 17507-AAC-200T | STRIPE R FUEL TANK(TYPE-3) | 1 |
| | 17507-AAC-200U | STRIPE R FUEL TANK(TYPE-4) | 1 |
| | 17507-AAC-200V | STRIPE R FUEL TANK(TYPE-5) | 1 |
| | 17507-AAC-200W | STRIPE R FUEL TANK(TYPE-6) | 1 |
| | 17507-AAC-200X | STRIPE R FUEL TANK(TYPE-7) | 1 |
| | 17507-AAC-200Y | STRIPE R FUEL TANK(TYPE-8) | 1 |

| SPECIFIED COLOUR TYPE | A | B | C | D | E | F | G | H | MAIN BODY COLOUR |
|-----------------------|---------------------------|--------------------------|--------------------------|----------------------------|------------------|------------|--------------------------|------------------|---------------------------------|
| 1 | NH-1 BLACK | SPORTS RED R-321 | SASHTA WHITE | FORCE SILVER ME. NH-411M | MARSHAL BLUE ME. | NH-1 BLACK | WHITE 2 | WHITE 2 | BLACK (NH-1) TYPE-1 |
| 2 | NH-1 BLACK | FROST BLUE ME. B-155M | SASHTA WHITE | DIGITAL SILVER ME. NH-A30M | SPORTS RED R-321 | NH-1 BLACK | WHITE 2 | SPORTS RED R-321 | BLACK (NH-1) TYPE-2 |
| 3 | NH-1 BLACK | HEAVY GRAY NH-194M-U ME. | FORCE SILVER ME. NH-411M | DIGITAL SILVER ME. NH-A30M | SPORTS RED R-321 | NH-1 BLACK | WHITE 2 | SPORTS RED R-321 | BLACK (NH-1) TYPE-3 |
| 4 | SPORTS RED R-321 | NH-1 BLACK | SASHTA WHITE | FORCE SILVER ME. NH-411M | MARSHAL BLUE ME. | NH-1 BLACK | WHITE 2 | WHITE 2 | SPORTS RED (R-321) |
| 5 | BRONZE YELLOW ME. YL-002M | NH-1 BLACK | SASHTA WHITE | BOON SILVER ME. NH-373M | SPORTS RED R-321 | NH-1 BLACK | WHITE 2 | SPORTS RED R-321 | BRONZE YELLOW ME. (YL-002M) |
| 6 | FORCE SILVER ME. NH-411M | NH-1 BLACK | SASHTA WHITE | HEAVY GRAY NH-194M-U ME. | MARSHAL BLUE ME. | NH-1 BLACK | WHITE 2 | SPORTS RED R-321 | FORCE SILVER METALLIC (NH-341P) |
| 7 | PEARL FADELESS WHITE | NH-1 BLACK | NH-1 BLACK | TERRA SILVER ME. | SPORTS RED R-321 | NH-1 BLACK | TERRA SILVER ME. | SPORTS RED R-321 | PEARL FADELESS WHITE. (NH-341P) |
| 8 | MATT BROWN ME. RD-018M | MAT BLACK NH-155 | TERRA SILVER ME. | DIGITAL SILVER ME. NH-A30M | SPORTS RED R-321 | NH-1 BLACK | FORCE SILVER ME. NH-411M | SPORTS RED R-321 | MATT BROWN ME (RD-018M) |

F-27
STRIPES/MARKS/EMBLEMS

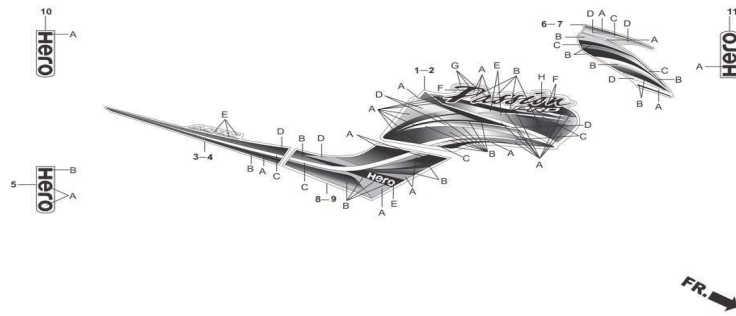


Service Item **F.R.T.** **Group Number: F-27 Model :: Passion Pro (Aug, 2015)**

| Ref No. | Part Number | Description | Req. |
|---------|----------------|----------------------------|------|
| 2 | 17508-AAC-200R | STRIPE L FUEL TANK(TYPE-1) | 1 |
| | 17508-AAC-200S | STRIPE L FUEL TANK(TYPE-2) | 1 |
| | 17508-AAC-200T | STRIPE L FUEL TANK(TYPE-3) | 1 |
| | 17508-AAC-200U | STRIPE L FUEL TANK(TYPE-4) | 1 |
| | 17508-AAC-200V | STRIPE L FUEL TANK(TYPE-5) | 1 |
| | 17508-AAC-200W | STRIPE L FUEL TANK(TYPE-6) | 1 |
| | 17508-AAC-200X | STRIPE L FUEL TANK(TYPE-7) | 1 |
| | 17508-AAC-200Y | STRIPE L FUEL TANK(TYPE-8) | 1 |

| SPECIFIED COLOUR TYPE | A | B | C | D | E | F | G | H | MAIN BODY COLOUR |
|-----------------------|---------------------------|--------------------------|--------------------------|----------------------------|------------------|------------|--------------------------|------------------|---------------------------------|
| 1 | NH-1 BLACK | SPORTS RED R-321 | SASHTA WHITE | FORCE SILVER ME. NH-411M | MARSHAL BLUE ME. | NH-1 BLACK | WHITE 2 | WHITE 2 | BLACK (NH-1) TYPE-1 |
| 2 | NH-1 BLACK | FROST BLUE ME. B-185M | SASHTA WHITE | DIGITAL SILVER ME. NH-A30M | SPORTS RED R-321 | NH-1 BLACK | WHITE 2 | SPORTS RED R-321 | BLACK (NH-1) TYPE-2 |
| 3 | NH-1 BLACK | HEAVY GRAY NH-194M-J ME. | FORCE SILVER ME. NH-411M | DIGITAL SILVER ME. NH-A30M | SPORTS RED R-321 | NH-1 BLACK | WHITE 2 | SPORTS RED R-321 | BLACK (NH-1) TYPE-3 |
| 4 | SPORTS RED R-321 | NH-1 BLACK | SASHTA WHITE | FORCE SILVER ME. NH-411M | MARSHAL BLUE ME. | NH-1 BLACK | WHITE 2 | WHITE 2 | SPORTS RED (R-321) |
| 5 | BRONZE YELLOW ME. YL-002M | NH-1 BLACK | SASHTA WHITE | BOON SILVER ME. NH-373M | SPORTS RED R-321 | NH-1 BLACK | WHITE 2 | SPORTS RED R-321 | BRONZE YELLOW ME. (YL-002M) |
| 6 | FORCE SILVER ME. NH-411M | NH-1 BLACK | SASHTA WHITE | HEAVY GRAY NH-194M-J ME. | MARSHAL BLUE ME. | NH-1 BLACK | WHITE 2 | SPORTS RED R-321 | FORCE SILVER METALLIC (NH-341P) |
| 7 | PEARL FADELESS WHITE | NH-1 BLACK | NH-1 BLACK | TERRA SILVER ME. | SPORTS RED R-321 | NH-1 BLACK | TERRA SILVER ME. | SPORTS RED R-321 | PEARL FADELESS WHITE. (NH-341P) |
| 8 | MATT BROWN ME. RD-018M | MAT BLACK NH-105 | TERRA SILVER ME. | DIGITAL SILVER ME. NH-A30M | SPORTS RED R-321 | NH-1 BLACK | FORCE SILVER ME. NH-411M | SPORTS RED R-321 | MATT BROWN ME (RD-018M) |

F-27
STRIPES/MARKS/EMBLEMS

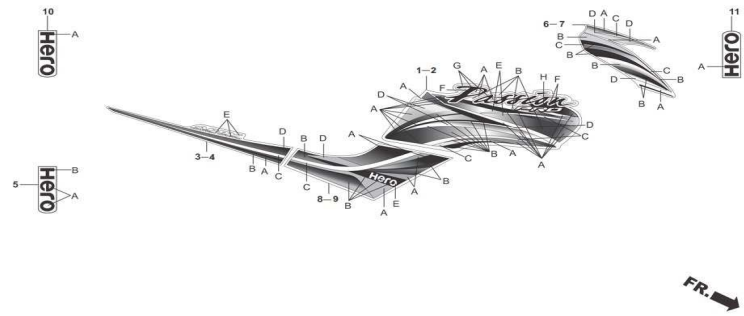


| | | |
|---------------------|---------------|--|
| Service Item | F.R.T. | Group Number: F-27 Model :: Passion Pro (Aug, 2015) |
|---------------------|---------------|--|

| Ref No. | Part Number | Description | Req. |
|---------|----------------|----------------------------|------|
| 3 | 77248-AAC-200R | STRIPE R SIDE COWL(TYPE-1) | 1 |
| | 77248-AAC-200S | STRIPE R SIDE COWL(TYPE-2) | 1 |
| | 77248-AAC-200T | STRIPE R SIDE COWL(TYPE-3) | 1 |
| | 77248-AAC-200U | STRIPE R SIDE COWL(TYPE-4) | 1 |
| | 77248-AAC-200V | STRIPE R SIDE COWL(TYPE-5) | 1 |
| | 77248-AAC-200W | STRIPE R SIDE COWL(TYPE-6) | 1 |
| | 77248-AAC-200X | STRIPE R SIDE COWL(TYPE-7) | 1 |
| | 77248-AAC-200Y | STRIPE R SIDE COWL(TYPE-8) | 1 |

| SPECIFIED COLOUR CHART FOR STRIPE RIGHT SIDE COWL | | | | | | |
|---|---------------------------|--------------------------|--------------------------|----------------------------|--------------------------|---------------------------------|
| SPECIFIED COLOUR TYPE | A | B | C | D | E | MAIN BODY COLOUR |
| 1 | NH-1 BLACK | SPORTS RED R-321 | SASHTA WHITE | FORCE SILVER ME. NH-411M | NH-1 BLACK | BLACK (NH-1) TYPE-1 |
| 2 | NH-1 BLACK | FROST BLUE ME. B-185M | SASHTA WHITE | DIGITAL SILVER ME. NH-A30M | NH-1 BLACK | BLACK (NH-1) TYPE-2 |
| 3 | NH-1 BLACK | HEAVY GRAY NH-19MM-U ME. | FORCE SILVER ME. NH-411M | DIGITAL SILVER ME. NH-A30M | FORCE SILVER ME. NH-411M | BLACK (NH-1) TYPE-3 |
| 4 | SPORTS RED R-321 | NH-1 BLACK | SASHTA WHITE | FORCE SILVER ME. NH-411M | FORCE SILVER ME. NH-411M | SPORTS RED (R-321) |
| 5 | BRONZE YELLOW ME. YL-002M | NH-1 BLACK | SASHTA WHITE | BOON SILVER ME. NH-373M | FORCE SILVER ME. NH-411M | BRONZE YELLOW ME. (YL-002M) |
| 6 | FORCE SILVER ME. NH-411M | NH-1 BLACK | SASHTA WHITE | HEAVY GRAY NH-19MM-U ME. | FORCE SILVER ME. NH-411M | FORCE SILVER METALLIC (NH-341P) |
| 7 | PEARL FADELESS WHITE | NH-1 BLACK | NH-1 BLACK | TERRA SILVER ME. | FORCE SILVER ME. NH-411M | PEARL FADELESS WHITE. (NH-341P) |
| 8 | MATT BROWN ME. RD-018M | MATT BLACK NH-105 | TERRA SILVER ME. | DIGITAL SILVER ME. NH-A30M | FORCE SILVER ME. NH-411M | MATT BROWN ME (RD-018M) |

F-27
STRIPES/MARKS/EMBLEMS

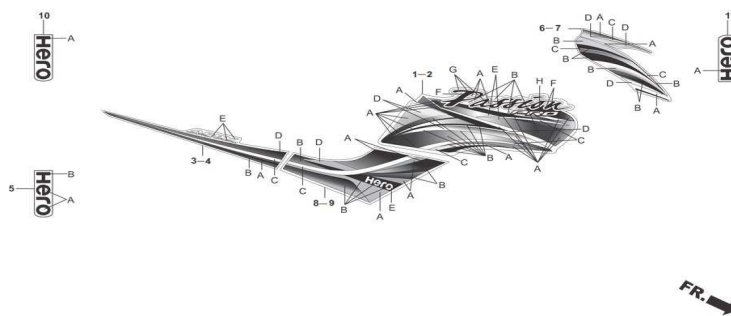


| | | |
|---------------------|---------------|--|
| Service Item | F.R.T. | Group Number: F-27 Model :: Passion Pro (Aug, 2015) |
|---------------------|---------------|--|

| Ref No. | Part Number | Description | Req. |
|---------|----------------|----------------------------|------|
| 4 | 77258-AAC-200R | STRIPE L SIDE COWL(TYPE-1) | 1 |
| | 77258-AAC-200S | STRIPE L SIDE COWL(TYPE-2) | 1 |
| | 77258-AAC-200T | STRIPE L SIDE COWL(TYPE-3) | 1 |
| | 77258-AAC-200U | STRIPE L SIDE COWL(TYPE-4) | 1 |
| | 77258-AAC-200V | STRIPE L SIDE COWL(TYPE-5) | 1 |
| | 77258-AAC-200W | STRIPE L SIDE COWL(TYPE-6) | 1 |
| | 77258-AAC-200X | STRIPE L SIDE COWL(TYPE-7) | 1 |
| | 77258-AAC-200Y | STRIPE L SIDE COWL(TYPE-8) | 1 |

| SPECIFIED COLOUR CHART FOR STRIPE LEFT SIDE COWL | | | | | | |
|--|---------------------------|--------------------------|--------------------------|----------------------------|--------------------------|---------------------------------|
| SPECIFIED COLOUR TYPE | A | B | C | D | E | MAIN BODY COLOUR |
| 1 | NH-1 BLACK | SPORTS RED R-321 | SASHTA WHITE | FORCE SILVER ME. NH-411M | NH-1 BLACK | BLACK (NH-1) TYPE-1 |
| 2 | NH-1 BLACK | FROST BLUE ME. B-185M | SASHTA WHITE | DIGITAL SILVER ME. NH-A30M | NH-1 BLACK | BLACK (NH-1) TYPE-2 |
| 3 | NH-1 BLACK | HEAVY GRAY NH-19MM-U ME. | FORCE SILVER ME. NH-411M | DIGITAL SILVER ME. NH-A30M | FORCE SILVER ME. NH-411M | BLACK (NH-1) TYPE-3 |
| 4 | SPORTS RED R-321 | NH-1 BLACK | SASHTA WHITE | FORCE SILVER ME. NH-411M | FORCE SILVER ME. NH-411M | SPORTS RED (R-321) |
| 5 | BRONZE YELLOW ME. YL-002M | NH-1 BLACK | SASHTA WHITE | BOON SILVER ME. NH-373M | FORCE SILVER ME. NH-411M | BRONZE YELLOW ME. (YL-002M) |
| 6 | FORCE SILVER ME. NH-411M | NH-1 BLACK | SASHTA WHITE | HEAVY GRAY NH-19MM-U ME. | FORCE SILVER ME. NH-411M | FORCE SILVER METALLIC (NH-341P) |
| 7 | PEARL FADELESS WHITE | NH-1 BLACK | NH-1 BLACK | TERRA SILVER ME. | FORCE SILVER ME. NH-411M | PEARL FADELESS WHITE. (NH-341P) |
| 8 | MATT BROWN ME. RD-018M | MATT BLACK NH-105 | TERRA SILVER ME. | DIGITAL SILVER ME. NH-A30M | FORCE SILVER ME. NH-411M | MATT BROWN ME (RD-018M) |

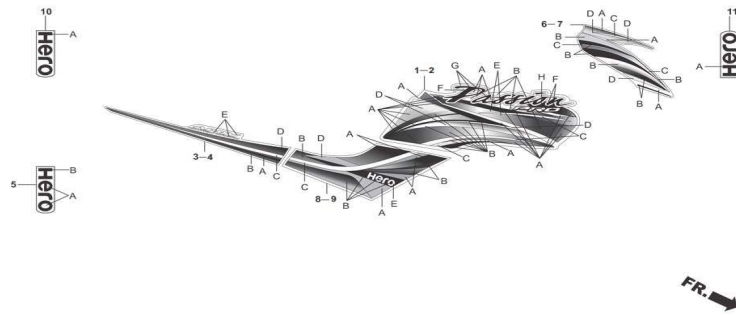
F-27
STRIPES/MARKS/EMBLEMS



| Service Item | F.R.T. | Group Number: F-27 Model :: Passion Pro (Aug, 2015) | | |
|--------------|---------------|---|------|--|
| Ref No. | Part Number | Description | Req. | |
| 5 | 80102-AAC-H30 | MARK, REAR FENDER | 1 | |

| SPECIFIED COLOUR CHART FOR MARK REAR FENDER | | | |
|---|-----------|-------|---|
| SPECIFIED COLOUR TYPE | A | B | MAIN BODY COLOUR |
| 1 | MAT BLACK | WHITE | BLACK (NH-1) TYPE-1 BLACK (NH-1) TYPE-2 BLACK (NH-1) TYPE-3 SPORTS RED (R-321) BRONZE YELLOW ME. (YL-002M) FORCE SILVER METALLIC (NH-341P) PEARL FADELESS WHITE. (NH-341P) MATT BROWN ME (RD-018M) |

F-27
STRIPES/MARKS/EMBLEMS

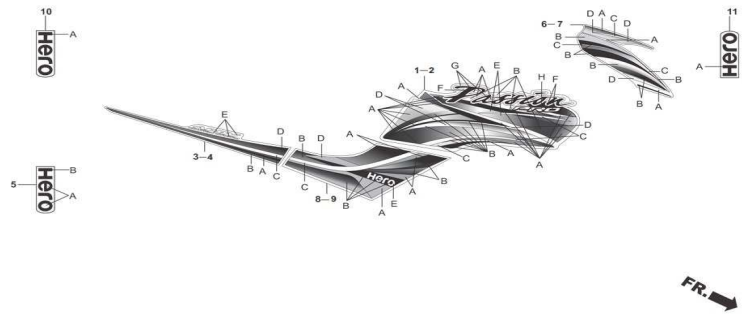


| | | |
|---------------------|---------------|--|
| Service Item | F.R.T. | Group Number: F-27 Model :: Passion Pro (Aug, 2015) |
|---------------------|---------------|--|

| Ref No. | Part Number | Description | Req. |
|---------|----------------|---------------------------|------|
| 6 | 83406-AAC-200R | STRIPE R FR VISOR(TYPE-1) | 1 |
| | 83406-AAC-200S | STRIPE R FR VISOR(TYPE-2) | 1 |
| | 83406-AAC-200T | STRIPE R FR VISOR(TYPE-3) | 1 |
| | 83406-AAC-200U | STRIPE R FR VISOR(TYPE-4) | 1 |
| | 83406-AAC-200V | STRIPE R FR VISOR(TYPE-5) | 1 |
| | 83406-AAC-200W | STRIPE R FR VISOR(TYPE-6) | 1 |
| | 83406-AAC-200X | STRIPE R FR VISOR(TYPE-7) | 1 |
| | 83406-AAC-200Y | STRIPE R FR VISOR(TYPE-8) | 1 |

| SPECIFIED COLOUR TYPE | A | B | C | D | MAIN BODY COLOUR |
|-----------------------|---------------------------|--------------------------|--------------------------|----------------------------|---------------------------------|
| 1 | NH-1 BLACK | SPORTS RED R-321 | SASHTA WHITE | FORCE SILVER ME. NH-411M | BLACK (NH-1) TYPE-1 |
| 2 | NH-1 BLACK | FROST BLUE ME. B-185M | SASHTA WHITE | DIGITAL SILVER ME. NH-A30M | BLACK (NH-1) TYPE-2 |
| 3 | NH-1 BLACK | HEAVY GRAY NH-194M-U ME. | FORCE SILVER ME. NH-411M | DIGITAL SILVER ME. NH-A30M | BLACK (NH-1) TYPE-3 |
| 4 | SPORTS RED R-321 | NH-1 BLACK | SASHTA WHITE | FORCE SILVER ME. NH-411M | SPORTS RED (R-321) |
| 5 | BRONZE YELLOW ME. YL-002M | NH-1 BLACK | SASHTA WHITE | BOON SILVER ME. NH-373M | BRONZE YELLOW ME. (YL-002M) |
| 6 | FORCE SILVER ME. NH-411M | NH-1 BLACK | SASHTA WHITE | HEAVY GRAY NH-194M-U ME. | FORCE SILVER METALLIC (NH-341P) |
| 7 | PEARL FADELESS WHITE | NH-1 BLACK | NH-1 BLACK | TERRA SILVER ME. | PEARL FADELESS WHITE. (NH-341P) |
| 8 | MATT BROWN ME. RD-018M | MAT BLACK NH-105 | TERRA SILVER ME. | DIGITAL SILVER ME. NH-A30M | MATT BROWN ME (RD-018M) |

F-27
STRIPES/MARKS/EMBLEMS

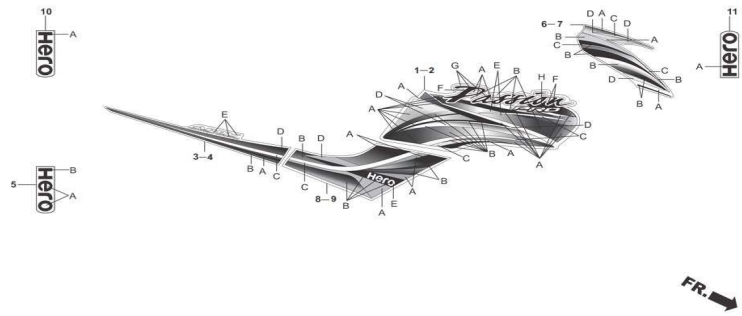


| | | |
|---------------------|---------------|--|
| Service Item | F.R.T. | Group Number: F-27 Model :: Passion Pro (Aug, 2015) |
|---------------------|---------------|--|

| Ref No. | Part Number | Description | Req. |
|---------|----------------|---------------------------|------|
| 7 | 83408-AAC-200R | STRIPE L FR VISOR(TYPE-1) | 1 |
| | 83408-AAC-200S | STRIPE L FR VISOR(TYPE-2) | 1 |
| | 83408-AAC-200T | STRIPE L FR VISOR(TYPE-3) | 1 |
| | 83408-AAC-200U | STRIPE L FR VISOR(TYPE-4) | 1 |
| | 83408-AAC-200V | STRIPE L FR VISOR(TYPE-5) | 1 |
| | 83408-AAC-200W | STRIPE L FR VISOR(TYPE-6) | 1 |
| | 83408-AAC-200X | STRIPE L FR VISOR(TYPE-7) | 1 |
| | 83408-AAC-200Y | STRIPE L FR VISOR(TYPE-8) | 1 |

| SPECIFIED COLOUR CHART FOR STRIPE LEFT SIDE FR. VISOR | | | | | |
|---|---------------------------|--------------------------|--------------------------|----------------------------|---------------------------------|
| SPECIFIED COLOUR TYPE | A | B | C | D | MAIN BODY COLOUR |
| 1 | NH-1 BLACK | SPORTS RED R-321 | SASHTA WHITE | FORCE SILVER ME. NH-411M | BLACK (NH-1) TYPE-1 |
| 2 | NH-1 BLACK | FROST BLUE ME. B-185M | SASHTA WHITE | DIGITAL SILVER ME. NH-A30M | BLACK (NH-1) TYPE-2 |
| 3 | NH-1 BLACK | HEAVY GRAY NH-194M-U ME. | FORCE SILVER ME. NH-411M | DIGITAL SILVER ME. NH-A30M | BLACK (NH-1) TYPE-3 |
| 4 | SPORTS RED R-321 | NH-1 BLACK | SASHTA WHITE | FORCE SILVER ME. NH-411M | SPORTS RED (R-321) |
| 5 | BRONZE YELLOW ME. YL-002M | NH-1 BLACK | SASHTA WHITE | BOON SILVER ME. NH-373M | BRONZE YELLOW ME. (YL-002M) |
| 6 | FORCE SILVER ME. NH-411M | NH-1 BLACK | SASHTA WHITE | HEAVY GRAY NH-194M-U ME. | FORCE SILVER METALLIC (NH-341P) |
| 7 | PEARL FADELESS WHITE | NH-1 BLACK | NH-1 BLACK | TERRA SILVER ME. | PEARL FADELESS WHITE. (NH-341P) |
| 8 | MATT BROWN ME. RD-018M | MAT BLACK NH-105 | TERRA SILVER ME. | DIGITAL SILVER ME. NH-A30M | MATT BROWN ME (RD-018M) |

F-27
STRIPES/MARKS/EMBLEMS

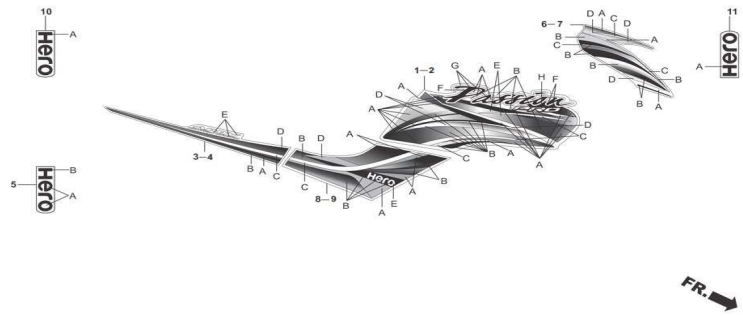


Service Item **F.R.T.** **Group Number: F-27 Model :: Passion Pro (Aug, 2015)**

| Ref No. | Part Number | Description | Req. |
|---------|----------------|-------------------------------|------|
| 8 | 87115-AAC-200R | STRIPE R SIDE COVER B(TYPE-1) | 1 |
| | 87115-AAC-200S | STRIPE R SIDE COVER B(TYPE-2) | 1 |
| | 87115-AAC-200T | STRIPE R SIDE COVER B(TYPE-3) | 1 |
| | 87115-AAC-200U | STRIPE R SIDE COVER B(TYPE-4) | 1 |
| | 87115-AAC-200V | STRIPE R SIDE COVER B(TYPE-5) | 1 |
| | 87115-AAC-200W | STRIPE R SIDE COVER B(TYPE-6) | 1 |
| | 87115-AAC-200X | STRIPE R SIDE COVER B(TYPE-7) | 1 |
| | 87115-AAC-200Y | STRIPE R SIDE COVER B(TYPE-8) | 1 |

| SPECIFIED COLOUR CHART FOR STRIPE RIGHT SIDE COVER | | | | | | |
|--|---------------------------|--------------------------|--------------------------|----------------------------|---------|---------------------------------|
| SPECIFIED COLOUR TYPE | A | B | C | D | E | MAIN BODY COLOUR |
| 1 | NH-1 BLACK | SPORTS RED R-321 | SASHTA WHITE | FORCE SILVER ME. NH-411M | WHITE 2 | BLACK (NH-1) TYPE-1 |
| 2 | NH-1 BLACK | FROST BLUE ME. B-185M | SASHTA WHITE | DIGITAL SILVER ME. NH-A30M | WHITE 2 | BLACK (NH-1) TYPE-2 |
| 3 | NH-1 BLACK | HEAVY GRAY NH-194M-U ME. | FORCE SILVER ME. NH-411M | DIGITAL SILVER ME. NH-A30M | WHITE 2 | BLACK (NH-1) TYPE-3 |
| 4 | SPORTS RED R-321 | NH-1 BLACK | SASHTA WHITE | FORCE SILVER ME. NH-411M | WHITE 2 | SPORTS RED (R-321) |
| 5 | BRONZE YELLOW ME. YL-002M | NH-1 BLACK | SASHTA WHITE | BOON SILVER ME. NH-373M | WHITE 2 | BRONZE YELLOW ME. (YL-002M) |
| 6 | FORCE SILVER ME. NH-411M | NH-1 BLACK | SASHTA WHITE | HEAVY GRAY NH-194M-U ME. | WHITE 2 | FORCE SILVER METALLIC (NH-341P) |
| 7 | PEARL FADELESS WHITE | NH-1 BLACK | NH-1 BLACK | TERRA SILVER ME. | WHITE 2 | PEARL FADELESS WHITE. (NH-341P) |
| 8 | MATT BROWN ME. RD-018M | MATT BLACK NH-105 | TERRA SILVER ME. | DIGITAL SILVER ME. NH-A30M | WHITE 2 | MATT BROWN ME (RD-018M) |

F-27
STRIPES/MARKS/EMBLEMS

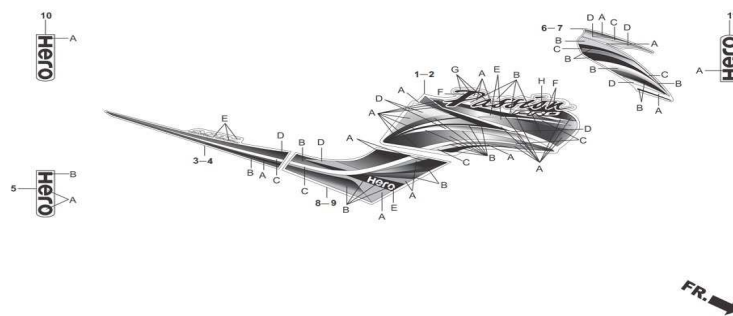


Service Item **F.R.T.** **Group Number: F-27 Model :: Passion Pro (Aug, 2015)**

| Ref No. | Part Number | Description | Req. |
|---------|----------------|-------------------------------|------|
| 9 | 87116-AAC-200R | STRIPE L SIDE COVER B(TYPE-1) | 1 |
| | 87116-AAC-200S | STRIPE L SIDE COVER B(TYPE-2) | 1 |
| | 87116-AAC-200T | STRIPE L SIDE COVER B(TYPE-3) | 1 |
| | 87116-AAC-200U | STRIPE L SIDE COVER B(TYPE-4) | 1 |
| | 87116-AAC-200V | STRIPE L SIDE COVER B(TYPE-5) | 1 |
| | 87116-AAC-200W | STRIPE L SIDE COVER B(TYPE-6) | 1 |
| | 87116-AAC-200X | STRIPE L SIDE COVER B(TYPE-7) | 1 |
| | 87116-AAC-200Y | STRIPE L SIDE COVER B(TYPE-8) | 1 |

| SPECIFIED COLOUR TYPE | A | B | C | D | E | MAIN BODY COLOUR |
|-----------------------|---------------------------|-------------------------|--------------------------|----------------------------|---------|---------------------------------|
| 1 | NH-1 BLACK | SPORTS RED (R-32) | SASHTA WHITE | FORCE SILVER ME. NH-411M | WHITE 2 | BLACK (NH-1) TYPE-1 |
| 2 | NH-1 BLACK | FROST BLUE ME. B-185M | SASHTA WHITE | DIGITAL SILVER ME. NH-A30M | WHITE 2 | BLACK (NH-1) TYPE-2 |
| 3 | NH-1 BLACK | HEAVY GRAY NH-19MM-U ME | FORCE SILVER ME. NH-411M | DIGITAL SILVER ME. NH-A30M | WHITE 2 | BLACK (NH-1) TYPE-3 |
| 4 | SPORTS RED (R-32) | NH-1 BLACK | SASHTA WHITE | FORCE SILVER ME. NH-411M | WHITE 2 | SPORTS RED (R-321) |
| 5 | BRONZE YELLOW ME. YL-002M | NH-1 BLACK | SASHTA WHITE | BOON SILVER ME. NH-373M | WHITE 2 | BRONZE YELLOW ME. (YL-002M) |
| 6 | FORCE SILVER ME. NH-411M | NH-1 BLACK | SASHTA WHITE | HEAVY GRAY NH-19MM-U ME | WHITE 2 | FORCE SILVER METALLIC (NH-341P) |
| 7 | PEARL FADELESS WHITE | NH-1 BLACK | NH-1 BLACK | TERRA SILVER ME. | WHITE 2 | PEARL FADELESS WHITE. (NH-341P) |
| 8 | MATT BROWN ME. RD-018M | MAT BLACK NH-105 | TERRA SILVER ME. | DIGITAL SILVER ME. NH-A30M | WHITE 2 | MATT BROWN ME (RD-018M) |

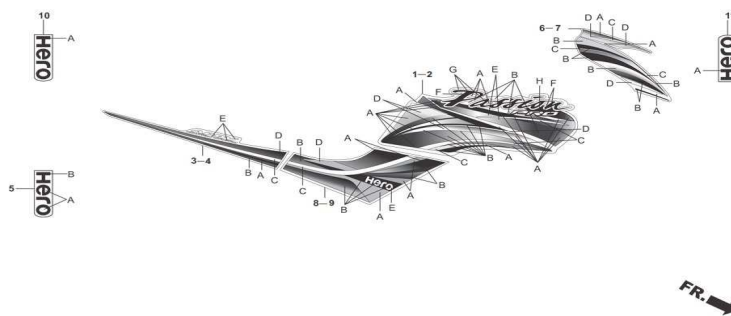
F-27
STRIPES/MARKS/EMBLEMS



| Service Item | F.R.T. | Group Number: F-27 Model :: Passion Pro (Aug, 2015) | | |
|--------------|----------------|---|------|--|
| Ref No. | Part Number | Description | Req. | |
| 10 | 87117-AAC-200R | MARK CENTER RR COWL(TYPE-1) | 1 | |
| | 87117-AAC-200S | MARK CENTER RR COWL(TYPE-2) | 1 | |

| SPECIFIED COLOUR CHART FOR STRIPE MARK CENTER RR. COWL | | |
|--|--------------------------|---------------------------------|
| SPECIFIED COLOUR TYPE | A | MAIN BODY COLOUR |
| 2 | FORCE SILVER ME. NH-411M | BLACK (NH-1) TYPE-1 |
| 1 | NH-1 BLACK | BLACK (NH-1) TYPE-2 |
| | | BLACK (NH-1) TYPE-3 |
| | | SPORTS RED (R-321) |
| 2 | FORCE SILVER ME. NH-411M | BRONZE YELLOW ME. (YL-002M) |
| | | FORCE SILVER METALLIC (NH-341P) |
| | | PEARL FADELESS WHITE. (NH-341P) |
| | | MATT BROWN ME (RD-018M) |

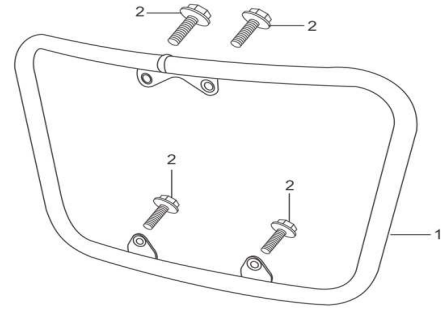
F-27
STRIPES/MARKS/EMBLEMS



| Service Item | F.R.T. | Group Number: F-27 Model :: Passion Pro (Aug, 2015) | | |
|--------------|----------------|---|------|--|
| Ref No. | Part Number | Description | Req. | |
| 11 | 87118-AAC-2000 | MARK WIND SCREEN | 1 | |

| SPECIFIED COLOUR CHART FOR STRIPE MARK WIND SCREEN | |
|--|-----------------------------|
| SPECIFIED COLOUR TYPE | MAIN BODY COLOUR |
| 1 | A |
| | FORCE SILVER ME. NH-411M |
| | BLACK (NH-1) TYPE-1 |
| | BLACK (NH-1) TYPE-2 |
| | BLACK (NH-1) TYPE-3 |
| | SPORTS RED (R-321) |
| | BRONZE YELLOW ME. (YL-002M) |
| FORCE SILVER METALLIC (NH-341P) | |
| PEARL FADELESS WHITE. (NH-341P) | |
| MATT BROWN ME (RD-018M) | |

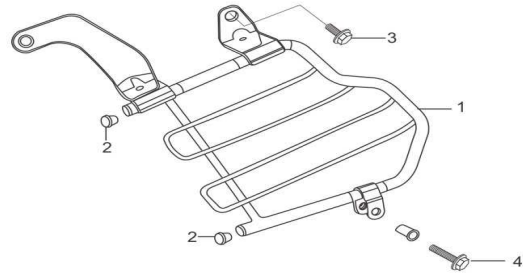
F-28
GUARD ENGINE



← F.R.

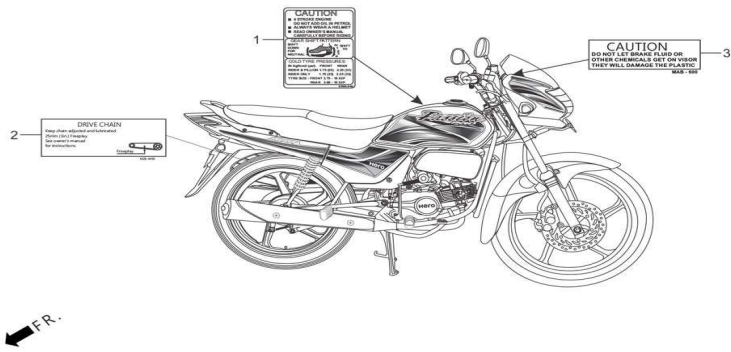
| Service Item | F.R.T. | Group Number: F-28 Model :: Passion Pro (Aug, 2015) | | | |
|----------------|--------|---|----------------|--------------------|------|
| * GUARD ENGINE | -- | Ref No. | Part Number | Description | Req. |
| | | 1 | 50803-KWA-940 | GUARD, ENGINE | 1 |
| | | 2 | 95701-08016-00 | BOLT, FLANGE, 8X16 | 4 |

F-29
GUARD SARI



| Service Item | F.R.T. | Group Number: F-29 Model :: Passion Pro (Aug, 2015) | | | |
|--------------|--------|---|----------------|---------------------|------|
| | | Ref No. | Part Number | Description | Req. |
| * GUARD SARI | | 1 | 51103-AAC-000 | GUARD SARI | 1 |
| | | 2 | 51106-KCC-900 | CAP, GUARD SARI | 2 |
| | | 3 | 95701-08016-00 | BOLT, FLANGE, 8X16 | 1 |
| | | 4 | 95701-08028-00 | BOLT FLANGE, 8 X 28 | 1 |

F-30
MARK/CAUTION



| Service Item | F.R.T. | Group Number: F-30 Model :: Passion Pro (Aug, 2015) | | | |
|--------------|--------|---|---------------|----------------------|------|
| | | Ref No. | Part Number | Description | Req. |
| | | 1 | 87501-AAC-H40 | MARK CAUTION | 1 |
| | | 2 | 87507-MZ8-W00 | LABEL, CHAIN DRIVE | 1 |
| | | 3 | 87522-MAB-600 | LABEL, VISOR CAUTION | 1 |

PARTS INDEX

| PART NO. | BLOCK | PART NO. | BLOCK | PART NO. | BLOCK |
|----------------------|----------------|----------------------|----------|----------------------|-----------|
| 06451-KCC-841 | F-8A-DISC-CAST | 13115-001-000 | E-9 | 16015-KVW-921 | E-13 |
| 06455-KCC-841 | F-8A-DISC-CAST | 13201-GF6-300 | E-9 | 16016-KPH-651 | E-13 |
| 11100-KWA-900 | E-8-KICK | 13381-KCC-900L | E-9 | 16022-KWA-931 | E-13 |
| 11100-KWA-900 | E-8-SELF | 14100-AAH-H41 | E-3 | 16028-KPH-901 | E-13 |
| 11191-AAH-00099 | E-8-KICK | 14311-035-000 | E-9 | 16037-KPH-901 | E-13 |
| 11191-AAH-00099 | E-8-SELF | 14321-AAD-200 | E-4 | 16060-KWA-933 | E-13 |
| 11200-KVH-950 | E-8-KICK | 14401-AAD-00099 | E-4 | 16075-KTC-901 | E-13 |
| 11200-KVH-950 | E-8-SELF | 14430-KST-940 | E-3 | 16076-KPL-901 | E-13 |
| 11321-KST-940 | E-7-KICK | 14451-KST-940 | E-3 | 16100-KVH-762 | E-13 |
| 11321-KWA-940 | E-7B-SELF | 14500-035-020 | E-4 | 16118-KST-901 | E-13 |
| 11330-AAC-H00 | E-5 | 14502-086-000R | E-4 | 16148-KPL-901 | E-13 |
| 11341-AAC-000 | E-7-KICK | 14531-035-000 | E-4 | 16155-KRS-861 | E-13 |
| 11341-AAC-010 | E-7A-SELF | 14541-GB4-681 | E-4 | 16163-GFP-901 | E-13 |
| 11360-KWA-930 | E-7A-SELF | 14550-GB0-910R | E-4 | 16165-KWA-931 | E-13 |
| 11360-KWA-930 | E-7-KICK | 14566-086-030 | E-4 | 16173-001-000 | F-13 |
| 11394-AAH-00099 | E-5 | 14610-086-000R | E-4 | 16173-001-000 | F-13 |
| 11395-GBJ-731 | E-7A-SELF | 14615-035-010 | E-4 | 16199-KWA-931 | E-13 |
| 12101-KST-940 | E-2 | 14670-035-030L | E-4 | 16201-KWB-920 | E-1 |
| 12191-GS4-762 | E-2 | 14675-178-000 | E-4 | 16211-459-750 | E-1 |
| 12200-AAH-500 | E-2 | 14711-GN5-910L | E-3 | 16236-045-010 | E-8-KICK |
| 12209-GB4-685 | E-3 | 14721-AAE-H10 | E-3 | 16236-045-010 | E-8-SELF |
| 12237-GB4-305 | E-2 | 14751-GBG-900 | E-3 | 16950-KVH-900 | F-13 |
| 12245-GB4-305 | E-2 | 14761-GBG-900 | E-3 | 16952-KVH-900 | F-13 |
| 12251-KST-942 | E-2 | 14771-GB4-680 | E-3 | 16955-KVH-900 | F-13 |
| 12301-KWA-900 | E-1 | 14775-MA6-000 | E-3 | 16959-HB3-000 | F-13 |
| 12331-KWA-900 | E-1 | 14781-MA6-000 | E-3 | 16967-GA6-671 | F-13 |
| 12341-KWA-900 | E-1 | 15100-KCC-900 | E-8-KICK | 17110-AAF-100 | E-1 |
| 12361-035-000 | E-1 | 15100-KCC-900 | E-8-SELF | 17199-AAC-200 | F-15-KICK |
| 12391-AAH-00099 | E-1 | 15119-178-000 | E-8-KICK | 17199-AAC-200 | F-15-SELF |
| 12394-AAH-00099 | E-1 | 15119-178-000 | E-8-SELF | 17210-KWA-840 | F-15-KICK |
| 12395-AAH-00099 | E-1 | 15384-178-000 | E-8-KICK | 17210-KWA-840 | F-15-SELF |
| 13000-AAF-000 | E-9 | 15384-178-000 | E-8-SELF | 17212-KCC-900 | F-15-KICK |
| 13011-KCC-942 | E-9 | 15421-035-010 | E-8-KICK | 17212-KCC-900 | F-15-SELF |
| 13012-KCC-942 | E-9 | 15421-035-010 | E-8-SELF | 17213-KWA-940 | F-15-KICK |
| 13013-KCC-942 | E-9 | 15431-198-000 | E-6 | 17213-KWA-940 | F-15-SELF |
| 13014-KCC-942 | E-9 | 15439-AAH-00099 | E-6 | 17214-AAC-220 | F-15-KICK |
| 13015-KCC-942 | E-9 | 15441-198-000 | E-6 | 17218-KTC-900 | F-15-KICK |
| 13101-KCC-901 | E-9 | 15650-AAC-H00 | E-5 | 17218-KTC-900 | F-15-SELF |
| 13102-KCC-315 | E-9 | 15661-198-000 | E-6 | 17219-KTC-900 | F-15-KICK |
| 13103-KCC-315 | E-9 | 16010-KWA-931 | E-13 | 17219-KTC-900 | F-15-SELF |
| 13104-KCC-315 | E-9 | 16012-KWA-931 | E-13 | 17220-KWA-940 | F-15-KICK |
| 13105-KCC-315 | E-9 | 16013-KRB-901 | E-13 | 17220-KWA-940 | F-15-SELF |
| 13111-087-000 | E-9 | 16014-KPH-901 | E-13 | 17224-KWA-830 | F-15-KICK |

| PART NO. | BLOCK | PART NO. | BLOCK | PART NO. | BLOCK |
|-----------------------|---------------|----------------------|----------------|----------------------|----------------|
| 17910-KWA-940 | F-3-DRUM-KICK | 24263-028-000 | E-12 | 30700-KWA-831 | F-24-DISC-SELF |
| 17910-KWA-940 | F-3-DRUM-SELF | 24301-KWA-930 | E-12 | 31100-KWA-931 | E-7-KICK |
| 18291-KTC-900 | F-16 | 24411-198-900 | E-12 | 31100-KWA-941 | E-7A-SELF |
| 18293-KPK-900 | F-16 | 24421-200-000 | E-12 | 31110-KWA-931 | E-7-KICK |
| 18345-MBT-610 | F-16 | 24425-198-900 | E-12 | 31110-KWA-941 | E-7A-SELF |
| 18350-AAC-201 | F-16 | 24430-KST-900 | E-12 | 31120-KWA-931 | E-7A-SELF |
| 18355-AAC-200 | F-16 | 24435-GB4-770 | E-12 | 31120-KWA-931 | E-7-KICK |
| 18651-KST-900 | F-15-KICK | 24610-KST-940 | E-12 | 31201-KG8-004 | E-7C-SELF |
| 18651-KST-900 | F-15-SELF | 24639-035-000L | E-12 | 31202-GB2-700L | E-7C-SELF |
| 22110-AAH-H40 | E-6 | 24641-041-000 | E-12 | 31204-KG8-004 | E-7C-SELF |
| 22121-198-900 | E-6 | 24651-035-000L | E-12 | 31205-KWA-941 | E-7C-SELF |
| 22201-GF6-000 | E-6 | 24652-035-000 | E-12 | 31208-KWA-941 | E-7C-SELF |
| 22311-107-000 | E-6 | 24701-KWA-940 | F-17 | 31210-KWA-94099 | E-7C-SELF |
| 22350-115-020 | E-6 | 28101-KWA-940 | E-7B-SELF | 31210-KWA-94099 | E-7C-SELF |
| 22361-KST-940 | E-6 | 28102-KWA-940 | E-7B-SELF | 31211-KWA-941 | E-7C-SELF |
| 22401-GF6-000 | E-6 | 28103-GB4-700 | E-7B-SELF | 31213-GB4-701L | E-7C-SELF |
| 22810-198-000 | E-5 | 28110-AAD-H40 | E-7B-SELF | 31500-KVT-801 | F-24-DRUM-SELF |
| 22815-166-000 | E-5 | 28117-KFL-850 | E-7B-SELF | 31500-KVT-801 | F-24-DISC-SELF |
| 22847-KCC-900 | E-6 | 28120-KWA-942 | E-7B-SELF | 31500-KWS-801 | F-24-DRUM-KICK |
| 22870-KWA-940 | F-3-DISC-SELF | 28211-AAF-000 | E-11 | 31600-KWF-841 | F-24-DRUM-KICK |
| 22870-KWA-940 | F-3-DRUM-KICK | 28221-198-010 | E-11 | 31600-KWF-841 | F-24-DRUM-SELF |
| 22870-KWA-940 | F-3-DRUM-SELF | 28251-GF6-000 | E-11 | 31600-KWF-841 | F-24-DISC-SELF |
| 22871-116-670 | F-3-DISC-SELF | 28253-397-000 | E-11 | 31700-124-000 | F-24-DRUM-SELF |
| 22871-116-670 | F-3-DRUM-KICK | 28254-198-000 | E-11 | 31700-124-000 | F-24-DISC-SELF |
| 22871-116-670 | F-3-DRUM-SELF | 28256-198-000 | E-11 | 31917-AAC-H00 | E-1 |
| 23112-AAJ-H10 | E-6 | 28261-198-000 | E-11 | 32100-AAC-200 | F-24-DRUM-KICK |
| 23121-KST-901 | E-6 | 28262-198-000 | E-11 | 32100-AAC-210 | F-24-DRUM-SELF |
| 23211-GF6-000 | E-10 | 28293-KAG-900 | F-17 | 32100-AAC-210 | F-24-DISC-SELF |
| 23216-GF6-000 | E-6 | 28302-KWA-940 | F-17 | 32102-KCC-840 | F-3-DISC-SELF |
| 23217-GF6-000L | E-6 | 2830A-KWA-941 | F-17 | 32108-344-820 | F-24-DRUM-KICK |
| 23221-GF6-000 | E-10 | 28321-427-770 | F-17 | 32108-344-820 | F-24-DRUM-SELF |
| 23421-GB4-770 | E-10 | 28333-124-000 | F-17 | 32108-344-820 | F-24-DISC-SELF |
| 23422-GB4-770 | E-10 | 30401-KTE-910 | F-24-DRUM-KICK | 32108-KE8-000 | F-24-DRUM-KICK |
| 23431-GN5-910 | E-10 | 30401-KTE-910 | F-24-DRUM-SELF | 32161-404-000 | F-3-DISC-SELF |
| 23441-GB4-770 | E-10 | 30401-KTE-910 | F-24-DISC-SELF | 32161-404-000 | F-3-DRUM-KICK |
| 23451-GK4-761 | E-10 | 30410-KWA-931 | F-24-DRUM-KICK | 32161-404-000 | F-3-DRUM-SELF |
| 23461-GK4-760 | E-10 | 30410-KWA-931 | F-24-DRUM-SELF | 32410-KVH-871 | E-7C-SELF |
| 23471-GN5-910 | E-10 | 30410-KWA-931 | F-24-DISC-SELF | 32712-ZA0-000 | F-25-KICK |
| 23481-HF7-000 | E-10 | 30500-AAC-201 | F-24-DRUM-KICK | 32712-ZA0-000 | F-25-SELF |
| 23801-178-000 | E-10 | 30500-AAC-201 | F-24-DRUM-SELF | 32961-KST-940 | E-7A-SELF |
| 23802-040-000 | E-10 | 30500-AAC-201 | F-24-DISC-SELF | 32961-KST-940 | E-7-KICK |
| 24211-GF6-000R | E-12 | 30700-KWA-831 | F-24-DRUM-KICK | 32981-GB4-780 | E-7A-SELF |
| 24261-121-742 | E-12 | 30700-KWA-831 | F-24-DRUM-SELF | 32981-GB4-780 | E-7-KICK |

| PART NO. | BLOCK | PART NO. | BLOCK | PART NO. | BLOCK |
|------------------------|----------------|----------------------|----------------|----------------------|----------------|
| 35152-KWA-841 | F-3-DRUM-SELF | 38306-GE7-000 | F-24-DISC-SELF | 42711-KTR-901 | F-11-CAST |
| 35200-AAC-201 | F-3-DRUM-KICK | 38501-KTP-890 | F-24-DRUM-KICK | 42711-KTR-901 | F-11-SPOKE |
| 35200-AAC-211 | F-3-DISC-SELF | 38501-KTP-890 | F-24-DRUM-SELF | 42712-KCS-920 | F-9-DISC-CAST |
| 35200-AAC-211 | F-3-DRUM-SELF | 38501-KTP-890 | F-24-DISC-SELF | 42712-KCS-920 | F-9-DRUM-CAST |
| 35330-413-003 | F-3-DISC-SELF | 38502-KSP-910 | F-24-DRUM-KICK | 42712-KCS-920 | F-9-DRUM-SPOKE |
| 35330-413-003 | F-3-DRUM-SELF | 38502-KSP-910 | F-24-DRUM-SELF | 42712-KTR-901 | F-11-CAST |
| 35340-KCC-841 | F-3A-DISC-SELF | 38502-KSP-910 | F-24-DISC-SELF | 42712-KTR-901 | F-11-SPOKE |
| 35340-KCC-841 | F-3-DISC-SELF | 38506-KSP-910 | F-24-DRUM-KICK | 42713-KFN-850 | F-9-DRUM-SPOKE |
| 35340-KCC-900 | F-3-DRUM-KICK | 38506-KSP-910 | F-24-DRUM-SELF | 42713-KFN-850 | F-11-SPOKE |
| 35340-KCC-900 | F-3-DRUM-SELF | 38506-KSP-910 | F-24-DISC-SELF | 43100-KTR-700 | F-10-CAST |
| 35350-KWA-930 | F-18-KICK | 38506-KWA-840 | F-24-DRUM-KICK | 43100-KTR-900 | F-10-SPOKE |
| 35350-KWA-940 | F-18-SELF | 38506-KWA-840 | F-24-DRUM-SELF | 43125-KTN-701 | F-8-DRUM-CAST |
| 35357-KWA-830 | F-18-KICK | 38506-KWA-840 | F-24-DISC-SELF | 43125-KTN-701 | F-8-DRUM-SPOKE |
| 35357-KWA-830 | F-18-SELF | 40510-KWA-940 | F-19 | 43125-KTN-701 | F-10-CAST |
| 35701-KWA-931 | E-13 | 40520-KWA-940 | F-19 | 43125-KTN-701 | F-10-SPOKE |
| 35750-001-000 | E-12 | 40530-KST-940 | F-19 | 43141-KTC-900 | F-10-CAST |
| 35753-035-010 | E-12 | 40531-KTE-910 | F-19 | 43141-KTC-900 | F-10-SPOKE |
| 35755-001-000 | E-12 | 40543-198-900 | F-10-CAST | 43216-MAK-003 | F-8A-DISC-CAST |
| 37100-AAC-02099 | F-2-DRUM | 40543-198-900 | F-10-SPOKE | 43410-KCT-690 | F-10-CAST |
| 37100-AAC-04099 | F-2-DISC | 40544-198-900 | F-11-CAST | 43410-KCT-690 | F-10-SPOKE |
| 37105-KRJ-901 | F-2-DISC | 40544-198-900 | F-11-SPOKE | 43431-198-900 | F-19 |
| 37105-KRJ-901 | F-2-DRUM | 40545-001-000 | F-19 | 43434-286-000 | F-10-CAST |
| 37202-AAC-021 | F-2-DISC | 41201-KVH-760 | F-11-CAST | 43434-286-000 | F-10-SPOKE |
| 37202-AAC-021 | F-2-DRUM | 41201-KVH-760 | F-11-SPOKE | 43451-KCC-600 | F-18-KICK |
| 37210-AAC-021 | F-2-DISC | 41241-KTC-900 | F-11-CAST | 43451-KCC-600 | F-18-SELF |
| 37210-AAC-021 | F-2-DRUM | 41241-KTC-900 | F-11-SPOKE | 44301-KTR-700 | F-9-DISC-CAST |
| 37211-AAC-021 | F-2-DRUM | 42301-ABA-000 | F-11-CAST | 44301-KTR-700 | F-9-DRUM-CAST |
| 37211-AAC-041 | F-2-DISC | 42301-ABA-000 | F-11-SPOKE | 44301-KTR-700 | F-9-DRUM-SPOKE |
| 37212-AAC-021 | F-2-DISC | 42303-KCC-600 | F-11-CAST | 44311-KRC-900 | F-9-DISC-CAST |
| 37212-AAC-021 | F-2-DRUM | 42303-KCC-600 | F-11-SPOKE | 44311-KRC-900 | F-9-DRUM-CAST |
| 37214-KV7-671 | F-2-DISC | 42304-198-900 | F-11-CAST | 44311-KRC-900 | F-9-DRUM-SPOKE |
| 37214-KV7-671 | F-2-DRUM | 42304-198-900 | F-11-SPOKE | 44601-KTR-940 | F-9-DRUM-SPOKE |
| 37243-323-000 | F-17 | 42313-KCC-600 | F-10-CAST | 44620-198-900 | F-9-DRUM-SPOKE |
| 37700-KWA-830 | F-2-DISC | 42313-KCC-600 | F-10-SPOKE | 44620-400-000 | F-9-DISC-CAST |
| 37700-KWA-830 | F-2-DRUM | 42601-KTR-940 | F-11-SPOKE | 44620-400-000 | F-9-DRUM-CAST |
| 37800-KWA-930 | F-13 | 42603-198-900 | F-9-DRUM-SPOKE | 44680-410-000 | F-9-DISC-CAST |
| 38110-KWA-931 | F-5 | 42603-198-900 | F-11-SPOKE | 44680-410-000 | F-9-DRUM-CAST |
| 38117-KFE-701 | F-5 | 42611-KWA-940 | F-11-CAST | 44701-AAC-H00 | F-9-DRUM-SPOKE |
| 38301-KWA-831 | F-24-DRUM-KICK | 42611-KWA-940 | F-11-SPOKE | 44701-AAC-H00 | F-11-SPOKE |
| 38301-KWA-831 | F-24-DRUM-SELF | 42615-KCC-600 | F-11-CAST | 44711-KFN-850 | F-9-DISC-CAST |
| 38301-KWA-831 | F-24-DISC-SELF | 42615-KCC-600 | F-11-SPOKE | 44711-KFN-850 | F-9-DRUM-CAST |
| 38306-GE7-000 | F-24-DRUM-KICK | 42620-KTR-700 | F-11-CAST | 44711-KFN-850 | F-9-DRUM-SPOKE |
| 38306-GE7-000 | F-24-DRUM-SELF | 42620-KTR-940 | F-11-SPOKE | 44800-KVE-901 | F-9-DISC-CAST |

| PART NO. | BLOCK | PART NO. | BLOCK | PART NO. | BLOCK |
|----------------------|----------------|----------------------|-----------|----------------------|---------------|
| 45352-KCC-841 | F-8A-DISC-CAST | 50500-KCC-870 | F-18-SELF | 51437-KVN-901 | F-7-DRUM |
| 45353-KCC-841 | F-8A-DISC-CAST | 50505-KCC-900 | F-16 | 51440-KTR-901 | F-7-DISC |
| 45410-KTR-A20 | F-8-DRUM-CAST | 50512-KTC-900 | F-18-KICK | 51440-KTR-901 | F-7-DRUM |
| 45410-KTR-A20 | F-8-DRUM-SPOKE | 50512-KTC-900 | F-18-SELF | 51500-KWA-941 | F-7-DRUM |
| 45435-GB2-720 | F-8-DRUM-CAST | 50524-001-000 | F-12 | 51500-KWA-971 | F-7-DISC |
| 45435-GB2-720 | F-8-DRUM-SPOKE | 50530-KCC-900 | F-17 | 51520-KWA-941 | F-7-DRUM |
| 45450-AAD-000 | F-3-DRUM-KICK | 50603-KB4-000 | F-17 | 51520-KWA-971 | F-7-DISC |
| 45450-AAD-000 | F-3-DRUM-SELF | 50614-413-000 | F-17 | 52101-KST-940 | F-19 |
| 45451-KCC-900 | F-6 | 50618-KCC-000 | F-17 | 52110-AAC-400 | F-19 |
| 45504-KCC-841 | F-3A-DISC-SELF | 50619-425-010 | F-17 | 52147-KTC-900 | F-19 |
| 45506-KCC-841 | F-3A-DISC-SELF | 50619-KCC-000 | F-17 | 52170-AAJ-H40 | F-19 |
| 45510-KVN-901 | F-3A-DISC-SELF | 50661-425-670 | F-17 | 52400-KWA-941 | F-20 |
| 45513-KCC-841 | F-3A-DISC-SELF | 50701-KWA-830 | F-17 | 52410-KCC-871 | F-20 |
| 45515-KVN-901 | F-3A-DISC-SELF | 50702-KST-940 | F-17 | 52486-KAG-900 | F-20 |
| 45516-KCC-841 | F-3A-DISC-SELF | 50710-461-770 | F-17 | 52486-KTN-701 | F-20 |
| 45517-KCC-841 | F-3A-DISC-SELF | 50712-438-730 | F-17 | 52489-399-600 | F-20 |
| 45518-KCC-841 | F-3A-DISC-SELF | 50713-438-730 | F-17 | 52495-098-000 | F-20 |
| 45519-KCC-841 | F-3A-DISC-SELF | 50715-KCC-900 | F-17 | 53100-AAC-000 | F-4 |
| 45520-KCC-841 | F-3A-DISC-SELF | 50718-KCC-900 | F-17 | 53105-KRC-900 | F-4 |
| 45521-KCC-841 | F-3A-DISC-SELF | 50803-KWA-940 | F-28 | 53131-AAC-H00 | F-4 |
| 45522-KCC-841 | F-3A-DISC-SELF | 51103-AAC-000 | F-29 | 53132-124-000 | F-4 |
| 45525-KCC-841 | F-3A-DISC-SELF | 51106-KCC-900 | F-29 | 53133-198-900 | F-4 |
| 45526-KCC-841 | F-3A-DISC-SELF | 51400-KWA-941 | F-7-DRUM | 53134-028-000 | F-4 |
| 45530-KCC-841 | F-3A-DISC-SELF | 51400-KWA-971 | F-7-DISC | 53135-198-900 | F-4 |
| 46500-KWA-830 | F-18-KICK | 51401-KST-941 | F-7-DISC | 53136-198-900 | F-4 |
| 46500-KWA-830 | F-18-SELF | 51401-KST-941 | F-7-DRUM | 53140-AAC-000 | F-3-DISC-SELF |
| 46514-KCC-900 | F-18-KICK | 51403-447-730 | F-7-DISC | 53140-AAC-000 | F-3-DRUM-KICK |
| 46514-KCC-900 | F-18-SELF | 51403-447-730 | F-7-DRUM | 53140-AAC-000 | F-3-DRUM-SELF |
| 46515-KB9-000 | F-18-KICK | 51403-KCC-900 | F-7-DISC | 53166-AAC-000 | F-3-DISC-SELF |
| 46515-KB9-000 | F-18-SELF | 51403-KCC-900 | F-7-DRUM | 53166-AAC-000 | F-3-DRUM-KICK |
| 50100-AAC-220 | F-25-KICK | 51410-KWA-941 | F-7-DISC | 53166-AAC-000 | F-3-DRUM-SELF |
| 50100-AAC-230 | F-25-SELF | 51410-KWA-941 | F-7-DRUM | 53167-GE4-000 | F-3-DRUM-KICK |
| 50160-KCC-900 | F-17 | 51412-KAG-900 | F-7-DISC | 53168-166-000 | F-3-DISC-SELF |
| 50186-KWA-830 | F-21 | 51412-KAG-900 | F-7-DRUM | 53168-166-000 | F-3-DRUM-KICK |
| 50211-KCC-900 | F-25-KICK | 51412-KWA-941 | F-7-DISC | 53168-166-000 | F-3-DRUM-SELF |
| 50211-KCC-900 | F-25-SELF | 51412-KWA-941 | F-7-DRUM | 53168-KWA-841 | F-3-DISC-SELF |
| 50250-KWA-830 | F-25-KICK | 51420-KWA-941 | F-7-DRUM | 53168-KWA-841 | F-3-DRUM-KICK |
| 50250-KWA-830 | F-25-SELF | 51420-KWA-971 | F-7-DISC | 53168-KWA-841 | F-3-DRUM-SELF |
| 50301-KTR-900 | F-5 | 51425-KST-901 | F-7-DISC | 53171-KCC-900 | F-3-DISC-SELF |
| 50325-AAC-220 | F-24-DRUM-KICK | 51425-KST-901 | F-7-DRUM | 53171-KCC-900 | F-3-DRUM-KICK |
| 50325-AAC-220 | F-24-DRUM-SELF | 51432-KST-901 | F-7-DISC | 53171-KCC-900 | F-3-DRUM-SELF |
| 50325-AAC-220 | F-24+DISC-SELF | 51432-KST-901 | F-7-DRUM | 53172-KTC-920 | F-3-DISC-SELF |
| 50500-KCC-870 | F-18-KICK | 51437-KVN-901 | F-7-DISC | 53172-KTC-920 | F-3-DRUM-KICK |

| PART NO. | BLOCK | PART NO. | BLOCK | PART NO. | BLOCK |
|----------------------|----------|-----------------------|-----------|-----------------------|---------------|
| 77206-KCC-900 | F-12 | 80101-443-000 | F-1 | 83500-AAC-200X | F-14 |
| 77220-KY6-000 | F-12 | 80102-AAC-H30 | F-27 | 83500-AAC-200Y | F-14 |
| 77230-KWA-830 | F-12 | 80104-KCC-870H | F-21 | 83510-AAC-220 | F-25-KICK |
| 77237-AAC-2001 | F-12 | 80105-AAC-220 | F-21 | 83510-AAC-220 | F-25-SELF |
| 77237-AAC-2002 | F-12 | 80120-AAC-H30 | F-21 | 83511-AAC-220 | F-25-SELF |
| 77237-AAC-200R | F-12 | 80123-KCC-870 | F-21 | 83516-AAC-220 | F-25-SELF |
| 77237-AAC-200U | F-12 | 81201-AAC-2000 | F-12 | 83551-300-000 | F-13 |
| 77237-AAC-200Z | F-12 | 81201-KWA-940ZA | F-12 | 83551-300-000 | F-14 |
| 77237-AAC-220 | F-23 | 81202-KCC-730Z | F-12 | 83600-AAC-200R | F-14 |
| 77240-AAC-200R | F-12 | 81203-KCC-730Z | F-12 | 83600-AAC-200S | F-14 |
| 77240-AAC-200S | F-12 | 83400-AAC-200R | F-1 | 83600-AAC-200T | F-14 |
| 77240-AAC-200T | F-12 | 83400-AAC-200S | F-1 | 83600-AAC-200U | F-14 |
| 77240-AAC-200U | F-12 | 83400-AAC-200T | F-1 | 83600-AAC-200V | F-14 |
| 77240-AAC-200V | F-12 | 83400-AAC-200U | F-1 | 83600-AAC-200W | F-14 |
| 77240-AAC-200W | F-12 | 83400-AAC-200V | F-1 | 83600-AAC-200X | F-14 |
| 77240-AAC-200X | F-12 | 83400-AAC-200W | F-1 | 83600-AAC-200Y | F-14 |
| 77240-AAC-200Y | F-12 | 83400-AAC-200X | F-1 | 83610-AAC-220 | F-25-KICK |
| 77248-AAC-200R | F-27 | 83400-AAC-200Y | F-1 | 83610-AAC-220 | F-25-SELF |
| 77248-AAC-200S | F-27 | 83402-AAC-220 | F-1 | 84701-KCC-860 | F-21 |
| 77248-AAC-200T | F-27 | 83406-AAC-200R | F-27 | 84701-P26-D00A | F-21A |
| 77248-AAC-200U | F-27 | 83406-AAC-200S | F-27 | 87115-AAC-200R | F-27 |
| 77248-AAC-200V | F-27 | 83406-AAC-200T | F-27 | 87115-AAC-200S | F-27 |
| 77248-AAC-200W | F-27 | 83406-AAC-200U | F-27 | 87115-AAC-200T | F-27 |
| 77248-AAC-200X | F-27 | 83406-AAC-200V | F-27 | 87115-AAC-200U | F-27 |
| 77248-AAC-200Y | F-27 | 83406-AAC-200W | F-27 | 87115-AAC-200V | F-27 |
| 77250-AAC-200R | F-12 | 83406-AAC-200X | F-27 | 87115-AAC-200W | F-27 |
| 77250-AAC-200S | F-12 | 83406-AAC-200Y | F-27 | 87115-AAC-200X | F-27 |
| 77250-AAC-200T | F-12 | 83407-KTR-940 | F-15-KICK | 87115-AAC-200Y | F-27 |
| 77250-AAC-200U | F-12 | 83407-KTR-940 | F-15-SELF | 87116-AAC-200R | F-27 |
| 77250-AAC-200V | F-12 | 83408-AAC-200R | F-27 | 87116-AAC-200S | F-27 |
| 77250-AAC-200W | F-12 | 83408-AAC-200S | F-27 | 87116-AAC-200T | F-27 |
| 77250-AAC-200X | F-12 | 83408-AAC-200T | F-27 | 87116-AAC-200U | F-27 |
| 77250-AAC-200Y | F-12 | 83408-AAC-200U | F-27 | 87116-AAC-200V | F-27 |
| 77258-AAC-200R | F-27 | 83408-AAC-200V | F-27 | 87116-AAC-200W | F-27 |
| 77258-AAC-200S | F-27 | 83408-AAC-200W | F-27 | 87116-AAC-200X | F-27 |
| 77258-AAC-200T | F-27 | 83408-AAC-200X | F-27 | 87116-AAC-200Y | F-27 |
| 77258-AAC-200U | F-27 | 83408-AAC-200Y | F-27 | 87117-AAC-200R | F-27 |
| 77258-AAC-200V | F-27 | 83500-AAC-200R | F-14 | 87117-AAC-200S | F-27 |
| 77258-AAC-200W | F-27 | 83500-AAC-200S | F-14 | 87118-AAC-2000 | F-27 |
| 77258-AAC-200X | F-27 | 83500-AAC-200T | F-14 | 87501-AAC-H40 | F-30 |
| 77258-AAC-200Y | F-27 | 83500-AAC-200U | F-14 | 87507-MZ8-W00 | F-30 |
| 78135-AAC-021 | F-2-DISC | 83500-AAC-200V | F-14 | 87522-MAB-600 | F-30 |
| 78135-AAC-021 | F-2-DRUM | 83500-AAC-200W | F-14 | 88110-AAC-201R | F-3-DISC-SELF |

| PART NO. | BLOCK | PART NO. | BLOCK | PART NO. | BLOCK |
|----------------------|----------------|----------------|----------------|---------------|----------------|
| 90003-KCC-840 | F-3-DISC-SELF | 90114-KCC-841 | F-3A-DISC-SELF | 90306-KTE-911 | F-19 |
| 90003-KCC-840 | F-3-DRUM-KICK | 90116-KAG-900 | F-7-DISC | 90306-KTE-911 | F-9-DISC-CAST |
| 90003-KCC-840 | F-3-DRUM-SELF | 90116-KAG-900 | F-7-DRUM | 90306-KTE-911 | F-9-DRUM-CAST |
| 90012-333-000R | E-3 | 90116-KCC-900 | F-25-KICK | 90306-KTE-911 | F-9-DRUM-SPOKE |
| 90022-GFP-900 | E-12 | 90116-KCC-900 | F-25-SELF | 90306-KVT-941 | F-24-DRUM-KICK |
| 90031-GF6-000R | E-8-KICK | 90117-KCC-900 | F-25-KICK | 90306-KVT-941 | F-24-DRUM-SELF |
| 90031-GF6-000R | E-8-SELF | 90117-KCC-900 | F-25-SELF | 90306-KVT-941 | F-24-DISC-SELF |
| 90032-GF6-000R | E-8-KICK | 90118-383-000 | F-19 | 90307-001-000 | F-11-CAST |
| 90032-GF6-000R | E-8-SELF | 90121-AAD-500 | F-25-KICK | 90307-001-000 | F-11-SPOKE |
| 90033-041-020 | E-2 | 90121-AAD-500 | F-25-SELF | 90307-GJ6-000 | F-1 |
| 90050-KFL-850 | E-6 | 90122-KVT-941 | F-24-DRUM-KICK | 90309-357-000 | F-11-CAST |
| 90071-171-010 | E-12 | 90122-KVT-941 | F-24-DRUM-SELF | 90309-357-000 | F-11-SPOKE |
| 90081-035-000 | E-4 | 90122-KVT-941 | F-24-DISC-SELF | 90311-KVH-900 | F-1 |
| 90081-GFP-900 | E-2 | 90123-KRM-860 | F-7-DISC | 90311-MT3-000 | F-15-KICK |
| 90083-KVH-900 | E-7A-SELF | 90123-KRM-860 | F-7-DRUM | 90311-MT3-000 | F-15-SELF |
| 90083-KVH-900 | E-7-KICK | 90123-KST-941 | F-7-DISC | 90320-GC3-000 | F-21 |
| 90083-KVH-900 | E-4 | 90123-KST-941 | F-7-DRUM | 90320-GC3-000 | F-1 |
| 90084-KWA-930 | E-7A-SELF | 90133-331-770 | F-19 | 90320-GC3-000 | F-12 |
| 90084-KWA-930 | E-7-KICK | 90145-MS9-610 | F-3A-DISC-SELF | 90320-GC3-000 | F-14 |
| 90085-KWA-940 | E-7B-SELF | 90155-KY4-900 | F-8A-DISC-CAST | 90324-KCC-870 | F-13 |
| 90087-KWA-930 | E-7A-SELF | 90183-KTC-900 | F-19 | 90325-KCC-900 | F-13 |
| 90087-KWA-930 | E-7-KICK | 90201-GF6-000R | E-1 | 90380-MB2-000 | F-22 |
| 90101-AAC-200 | F-22 | 90201-MW3-620 | F-3-DISC-SELF | 90381-KWA-940 | F-14 |
| 90101-GEO-000 | F-12 | 90201-MW3-620 | F-3-DRUM-KICK | 90407-259-000 | E-8-KICK |
| 90101-GEO-000 | F-14 | 90201-MW3-620 | F-3-DRUM-SELF | 90407-259-000 | E-8-SELF |
| 90101-GJ6-000 | F-1 | 90206-001-000 | E-3 | 90410-HC4-000 | E-7A-SELF |
| 90101-KWA-830 | F-15-KICK | 90231-087-010 | E-6 | 90410-HC4-000 | E-7-KICK |
| 90101-KWA-830 | F-15-SELF | 90231-198-000 | E-6 | 90432-086-000 | E-6 |
| 90102-KVN-900 | F-4 | 90302-KBP-900 | F-10-CAST | 90441-035-000 | E-4 |
| 90104-KCC-870 | F-6 | 90302-KBP-900 | F-10-SPOKE | 90442-GF6-000 | E-1 |
| 90105-MK5-010 | F-9-DISC-CAST | 90302-KBP-900 | F-11-CAST | 90443-GF6-010 | E-1 |
| 90107-AAD-000 | F-17 | 90302-KBP-900 | F-11-SPOKE | 90451-198-000 | E-10 |
| 90107-GZ4-670 | F-12 | 90302-KTE-911 | F-10-CAST | 90451-GF6-000 | E-10 |
| 90107-KAN-900 | F-16 | 90302-KTE-911 | F-10-SPOKE | 90452-115-000 | E-11 |
| 90111-147-000 | F-1 | 90303-KCC-841 | F-3A-DISC-SELF | 90452-GB4-770 | E-10 |
| 90111-187-000 | F-21 | 90304-438-000 | F-16 | 90454-107-000 | E-11 |
| 90111-187-000 | F-15-KICK | 90304-AAH-000 | F-4 | 90461-035-000 | E-10 |
| 90111-187-000 | F-15-SELF | 90304-KST-942 | F-4 | 90461-357-000 | E-1 |
| 90111-KCC-841 | F-3A-DISC-SELF | 90304-KST-942 | F-17 | 90461-357-000 | E-4 |
| 90112-KCC-841 | F-3A-DISC-SELF | 90306-KST-942 | F-10-CAST | 90461-459-000 | E-10 |
| 90114-310-000 | F-3-DISC-SELF | 90306-KST-942 | F-10-SPOKE | 90461-GB4-770 | E-10 |
| 90114-310-000 | F-3-DRUM-KICK | 90306-KST-942 | F-11-CAST | 90461-GF6-000 | E-6 |
| 90114-310-000 | F-3-DRUM-SELF | 90306-KST-942 | F-11-SPOKE | 90481-035-000 | E-4 |

| | | | | | |
|-----------------------|----------------|-----------------------|---------------|-----------------|----------------|
| PART NO. | BLOCK | PART NO. | BLOCK | PART NO. | BLOCK |
| 91251-KPH-901 | F-9-DISC-CAST | 92000-06020-0H | F-17 | 94001-06070-0S | F-2-DRUM |
| 91251-KPH-901 | F-9-DISC-CAST | 92101-06032-0A | F-17 | 94001-08000-0S | F-19 |
| 91251-KPH-901 | F-9-DRUM-CAST | 92800-12000-00 | E-8-KICK | 94001-08000-0S | F-10-CAST |
| 91251-KPH-901 | F-9-DRUM-SPOKE | 92800-12000-00 | E-8-SELF | 94001-08000-0S | F-10-SPOKE |
| 91255-KWA-941 | F-7-DISC | 92811-10000 | F-10-CAST | 94001-10000-0S | F-20 |
| 91255-KWA-941 | F-7-DRUM | 92811-10000 | F-10-SPOKE | 94021-10000-0S | F-20 |
| 91258-KEJ-900 | F-9-DISC-CAST | 93500-04025-0G | F-13 | 94030-08000 | F-25-KICK |
| 91258-KEJ-900 | F-9-DRUM-CAST | 93500-05010-1A | F-21A | 94030-08000 | F-25-SELF |
| 91258-KEJ-900 | F-9-DRUM-SPOKE | 93500-05016-1H | F-15-KICK | 94030-10000 | F-17 |
| 91301-035-000 | E-7B-SELF | 93500-05016-1H | F-15-SELF | 94050-06000 | F-3-DISC-SELF |
| 91301-035-000 | E-7-KICK | 93500-05020-0G | F-3-DISC-SELF | 94050-06000 | F-3-DRUM-KICK |
| 91302-KEV-900 | E-1 | 93500-05020-0G | F-3-DRUM-KICK | 94050-06000 | F-3-DRUM-SELF |
| 91303-377-000 | E-7A-SELF | 93500-05020-0G | F-3-DRUM-SELF | 94050-06000 | F-6 |
| 91303-377-000 | E-7-KICK | 93500-05022-1G | F-3-DISC-SELF | 94050-06000 | F-8-DRUM-CAST |
| 91303-719-000 | E-5 | 93500-05022-1G | F-3-DRUM-KICK | 94050-06000 | F-8-DRUM-SPOKE |
| 91303-GF6-000 | E-8-KICK | 93500-05022-1G | F-3-DRUM-SELF | 94050-06000 | F-13 |
| 91303-GF6-000 | E-8-SELF | 93600-05012-1H | E-6 | 94050-08000 | F-16 |
| 91304-704-000 | F-11-CAST | 93600-06016-0A | E-7B-SELF | 94050-10000 | F-22 |
| 91304-704-000 | F-11-SPOKE | 93600-06016-0A | E-7-KICK | 94050-10000 | E-7A-SELF |
| 91304-GB1-900 | E-1 | 93891-05014-18 | F-18-KICK | 94050-10000 | E-7-KICK |
| 91305-028-150 | E-2 | 93891-05014-18 | F-18-SELF | 94101-05000 | F-21A |
| 91305-MC7-000 | F-13 | 93892-04006-08L | E-7C-SELF | 94101-05000 | F-15-KICK |
| 91307-035-000 | E-5 | 93892-04010-10 | E-13 | 94101-05000 | F-15-SELF |
| 91308-GB4-701L | E-7C-SELF | 93892-04014-08 | E-13 | 94101-06000 | F-21A |
| 91309-GB2-701L | E-7C-SELF | 93892-05030-08L | E-7C-SELF | 94101-06000 | F-10-CAST |
| 91312-107-000 | E-12 | 93901-22220 | F-3-DISC-SELF | 94101-06000 | F-10-SPOKE |
| 91317-171-000 | E-7B-SELF | 93901-22220 | F-3-DRUM-KICK | 94101-06000 | F-11-CAST |
| 91317-171-000 | E-7-KICK | 93901-22220 | F-3-DRUM-SELF | 94101-06000 | F-11-SPOKE |
| 91352-GAZ-930 | F-2-DISC | 93901-44220 | F-1 | 94101-06000 | F-17 |
| 91352-GAZ-930 | F-2-DRUM | 93903-22480 | F-2-DISC | 94101-08000 | F-19 |
| 91356-KAG-900 | F-7-DISC | 93903-22480 | F-2-DRUM | 94101-08000 | F-17 |
| 91356-KAG-900 | F-7-DRUM | 93903-24380 | F-21 | 94101-12800 | F-20 |
| 91356-KGH-901 | E-7A-SELF | 93903-24380 | F-23 | 94103-06700 | F-2-DISC |
| 91356-KGH-901 | E-7-KICK | 93903-24380 | F-12 | 94103-06700 | F-2-DRUM |
| 91455-MG8-000 | F-4 | 93903-24380 | F-15-KICK | 94111-08000 | F-25-KICK |
| 91509-GE2-760 | F-1 | 93903-24380 | F-15-SELF | 94111-08000 | F-25-SELF |
| 91540-S30-003 | F-24-DRUM-KICK | 93903-35280 | F-1 | 94111-10000 | F-19 |
| 91540-S30-003 | F-24-DRUM-SELF | 93913-25210 | F-21 | 94201-16150 | F-17 |
| 91540-S30-003 | F-24-DISC-SELF | 94001-06000-0S | F-10-CAST | 94201-20150 | F-18-KICK |
| 91541-S0A-003 | F-24-DISC-SELF | 94001-06000-0S | F-10-SPOKE | 94201-20150 | F-18-SELF |
| 92000-06008-0H | E-10 | 94001-06000-0S | F-11-CAST | 94201-20150 | F-19 |
| 92000-06016-0A | F-21A | 94001-06000-0S | F-11-SPOKE | 94201-20150 | F-10-CAST |
| 92000-06016-0A | F-17 | 94001-06070-0S | F-2-DISC | 94201-20150 | F-10-SPOKE |

| | | | | | |
|---|--|---|--|---|---|
| <p>PART NO. 95701-06012-08 95701-06014-18 95701-06014-18 95701-06014-18 95701-06020-00 95701-06020-00 95701-06020-07 95701-06020-08 95701-06020-08 95701-06032-00 95701-06032-00 95701-06035-00 95701-06035-00 95701-06110-00 95701-08016-00 95701-08016-00 95701-08016-00 95701-08016-00 95701-08016-07 95701-08028-00 95701-08035-08 95701-08040-00 96001-06010-00 96001-06010-00 96001-06012-00 96001-06016-00 96001-06016-00 96001-06016-00 96001-06016-00 96001-06016-07 96001-06018-00 96001-06020-00 96001-06020-00 96001-06020-00 96001-06020-00 96001-06020-00 96001-06020-00 96001-06022-00 96001-06025-00 96001-06025-00 96001-06025-00 96001-06025-00 96001-06025-07 96001-06025-07</p> | <p>BLOCK F-15-SELF F-24-DRUM-KICK F-24-DRUM-SELF F-24-DISC-SELF E-11 F-6 F-5 F-21 F-12 F-8-DRUM-CAST F-8-DRUM-SPOKE F-10-CAST F-10-SPOKE E-1 F-28 F-29 F-12 F-16 F-17 F-29 F-13 F-5 E-7B-SELF F-1 E-12 E-7A-SELF E-7-KICK E-8-KICK E-8-SELF F-1 E-4 F-24-DRUM-KICK F-24-DRUM-SELF E-7A-SELF F-24-DISC-SELF E-7-KICK E-1 E-1 E-8-KICK E-1 E-8-SELF F-3-DISC-SELF F-3-DRUM-KICK</p> | <p>PART NO. 96001-06025-07 96001-06028-00 96001-06028-00 96001-06032-00 96001-06032-00 96001-06040-00 96001-06045-00 96001-06050-00 96001-06050-00 96001-06050-00 96001-06060-00 96001-06060-00 96001-06060-00 96001-06065-00 96001-06065-00 96001-06070-00 96001-06070-00 96001-06080-00 96100-60010-00 96100-60010-00 96100-62010-00 96100-62030-00 96120-60010-10L 96140-63010-10 96140-63010-10 96140-63010-10 96140-63010-10 96150-62030-10 96150-62030-10 96150-63010-10 96211-08000 96211-08000 96220-30085 96700-08020-00 96700-08020-00 96700-08040-00 97252-51162-10 97252-51162-10 97603-51162-10 97687-51161-10 98200-31000 98200-31000</p> | <p>BLOCK F-3-DRUM-SELF E-7A-SELF E-7-KICK E-7A-SELF E-7-KICK E-5 E-7C-SELF E-7A-SELF E-8-KICK E-8-SELF E-7-KICK E-8-KICK E-8-SELF E-8-KICK E-8-SELF E-8-KICK E-8-SELF E-5 E-7A-SELF E-7-KICK E-5 E-10 E-6 E-10 E-10 E-7C-SELF F-9-DRUM-CAST F-9-DRUM-SPOKE F-11-CAST F-11-SPOKE F-11-CAST F-11-SPOKE F-9-DISC-CAST F-17 F-5 E-12 F-2-DISC F-2-DRUM F-12 F-9-DRUM-SPOKE F-11-SPOKE F-9-DRUM-SPOKE F-11-SPOKE F-24-DRUM-KICK F-24-DRUM-SELF</p> | <p>java.lang.NumberFormatException: For input string: "K4" PART NO. 98200-31000 98200-31500 98200-31500 98200-31500 99007-45000 99101-KWA-1050 99103-KTC-0350 99632-AAC-831 99633-AAC-831 99634-AAC-831</p> | <p>BLOCK F-24-DISC-SELF F-24-DRUM-KICK F-24-DRUM-SELF F-24-DISC-SELF F-26 E-13 E-13 F-21A F-21A F-21A</p> |
|---|--|---|--|---|---|

