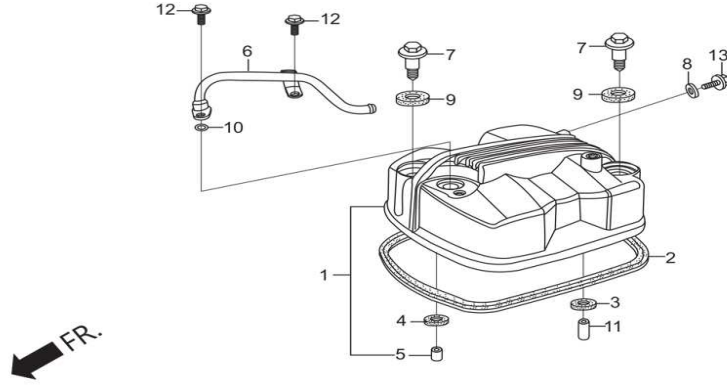


PARTS CATALOGUE

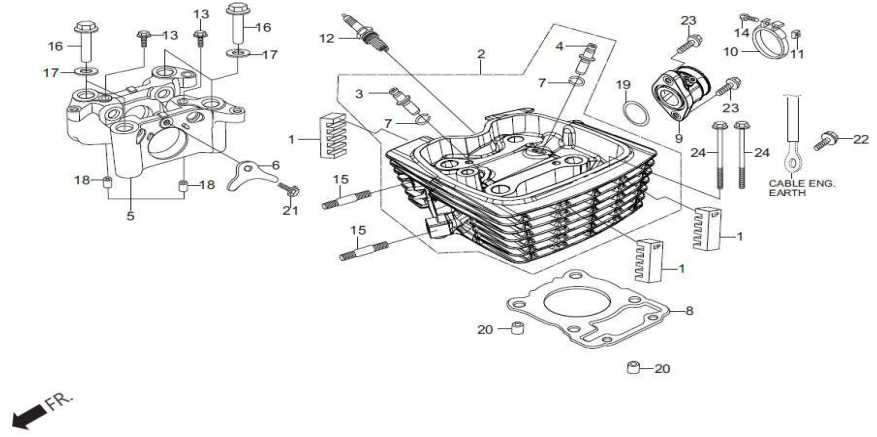
HUNK (Feb, 2016) EURO III

E-1
CYLINDER HEAD COVER



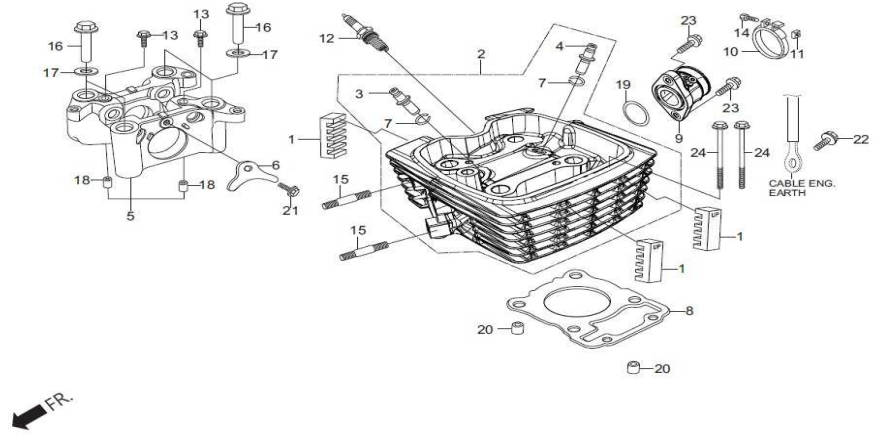
Service Item	F.R.T.	Group Number: E-1 Model :: HUNK (Feb, 2016) EURO III			
		Ref No.	Part Number	Description	Req.
* COVER COMP., CYLINDER HEAD	0.3	1	12310-KVE-900	COVER, COMP., CYLINDER HEAD	1
* GASKET, HEAD COVER		2	12391-KRM-840	GASKET, HEAD COVER	1
		3	12396-KRM-840	GASKET,B, HEAD COVER	1
		4	12397-KSP-910	GASKET,CYL. HEAD COVER	1
		5	12398-KSP-910	COLLAR 9 MM	1
		6	18640-KTN-900	PIPE COMP., AIR FEED	1
		7	90003-KFG-000	BOLT, 'L' COVER	2
		8	90463-KRM-840	WASHER SEALING 6.2 MM	1
		9	90543-MV9-670	RUBBER, MOUNT	2
		10	91309-MJ0-003	O-RING, 9.8 X 2.8	1
		11	94301-08140	DOWEL PIN, 8X14	1
		12	95701-06016-00	BOLT, FLANGE, 6X16	2
		13	96001-06012-00	BOLT,FLANGE,SH.,6 X 12	1

E-1A
CYLINDER HEAD



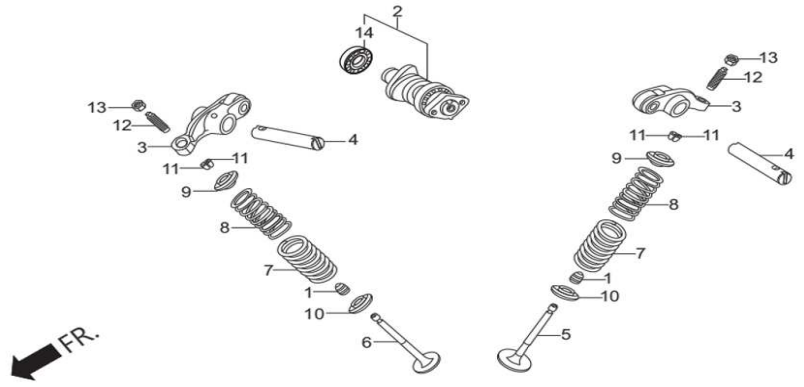
Service Item	F.R.T.	Group Number: E-1A Model :: HUNK (Feb, 2016) EURO III			
		Ref No.	Part Number	Description	Req.
* PLUG, SPARK	0.1	12	31916-KRM-84099	SPARK PLUG	1
* BOLT, STUD, 8 X 22 (ADD 0.1 FOR EACH)	0.3 --	15	90040-KSP-910	BOLT STUD 8 X 22	2
* INSULATOR COMP., CARBURETOR	0.4	9	16210-AAB-701	INSULATOR COMP., CARB	1
* HOLDER COMP., CAMSHAFT	0.9	4	12205-KSP-305	GUIDE, INLET, VALVE (O.S.)	1
* GASKET, CYLINDER HEAD	1.4	8	12251-KRM-B41	GASKET, CYLINDER HEAD	1
* GUIDE IN VALVE (INC. REAMING)	2.0 --	6	12212-KRM-840	PLATE, STOPPER	1
(ADD 0.3 FOR EACH)	--	7	12213-KSP-910	CLIP VALVE GUIDE	2
(EXC. VALVE REFACING)	--	10	16217-KSP-910	BAND INSULATOR	1
(ADD MORE 0.2 IF PERFORMED)	--	11	16222-KSP-910	NUT, SQUARE, 5 MM	1
* HEAD COMP., CYLINDER	2.2	2	12200-AAB-700	HEAD COMP., CYLINDER	1
		1	12195-KVE-900	RUBBER, INSERT	3
		3	12204-KRM-305	GUIDE VALVE, (O. S.)	1
		4	12205-KSP-305	GUIDE, INLET, VALVE (O.S.)	1
		5	12210-KSP-910	HOLDER COMP., CAM SHAFT	1
		6	12212-KRM-840	PLATE, STOPPER	1
		7	12213-KSP-910	CLIP VALVE GUIDE	2
		8	12251-KRM-B41	GASKET, CYLINDER HEAD	1
		9	16210-AAB-701	INSULATOR COMP., CARB	1
		10	16217-KSP-910	BAND INSULATOR	1
		11	16222-KSP-910	NUT, SQUARE, 5 MM	1
		12	31916-KRM-84099	SPARK PLUG	1
		13	90002-KRM-840	BOLT, FLANGE 5X14	2
		14	90006-MEE-000	BOLT RECESSED 5 X 30	1
		15	90040-KSP-910	BOLT STUD 8 X 22	2
		16	90306-KRM-840	NUT CYLINDER HEAD	4
		17	90404-KPT-A00	WASHER PLAIN 12MM	4
		18	90704-KRM-840	DOWEL PIN 6 X10	2
		19	91304-KRM-840	O-RING 33.5 X 3.0	1
		20	94301-10120	DOWEL PIN, 10X12	2

E-1A
CYLINDER HEAD



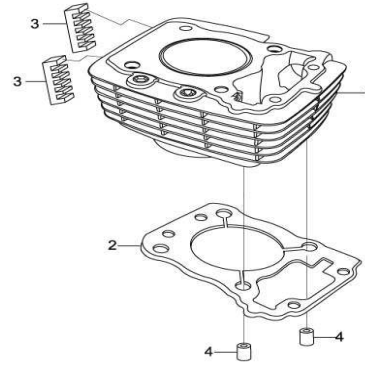
Service Item	F.R.T.	Group Number: E-1A Model :: HUNK (Feb, 2016) EURO III			
		Ref No.	Part Number	Description	Req.
* PLUG, SPARK	0.1				
* BOLT, STUD, 8 X 22	0.3	21	95701-06014-00	BOLT, FLANGE, 6 X 14	1
(ADD 0.1 FOR EACH)	--	22	95701-06016-00	BOLT, FLANGE, 6X16	1
* INSULATOR COMP., CARBURETOR	0.4	23	95701-06022-00	BOLT, FLANGE, SH. 6 X 22	2
* HOLDER COMP., CAMSHAFT	0.9	24	95801-06105-00	BOLT FLANGE 6 X 105	2
* GASKET, CYLINDER HEAD	1.4				
* GUIDE IN VALVE	2.0				
(INC. REAMING)	--				
(ADD 0.3 FOR EACH)	--				
(EXC. VALVE REFACING)	--				
(ADD MORE 0.2 IF PERFORMED)	--				
* HEAD COMP., CYLINDER	2.2				

E-2
CAM SHAFT / VALVE



Service Item	F.R.T.	Group Number: E-2 Model :: HUNK (Feb, 2016) EURO III			
		Ref No.	Part Number	Description	Req.
* CAMSHAFT COMP.	0.7	1	12209-GB4-685	SEAL, VALVE STEM	2
* ARM COMP., VALVE ROCKER	0.8	2	14100-AAB-100	SHAFT COMP CAM	1
(SAME TIME FOR TWO UNITS)	--				
* BEARING, RADIAL BALL, 6001	0.9	3	14430-KSP-910	ARM COMP., VALVE ROCKER	2
* SPRING, VALVE	1.6	4	14451-KRM-840	SHAFT, ROCKER ARM	2
(ADD 0.1 FOR EACH)	--	5	14711-KSP-910	VALVE, INLET	1
* VALVE EX	1.8	6	14721-KVE-900	VALVE, EXH.	1
(ADD 0.2 FOR EACH)	--	7	14751-AAB-100	SPRING VALVE OUTER	2
(INC. REFACING)	--	8	14761-AAB-100	SPRING VALVE INNER	2
(EXC. VALVE GUIDE REPLACEMENT)	--	9	14771-KSP-910	RETAINER, VALVE SPRING	2
		10	14777-KSP-910	SEAT, VALVE SPRING	2
		11	14781-MA6-000	COTTER, VALVE	4
		12	90012-KK3-830	SCREW, TAPPET ADJUSTING	2
		13	90206-250-000	NUT, TAPPET ADJUSTING	2
		14	91008-KTN-900	BRG. BALL RADIAL, 12 X 28 X 8	1

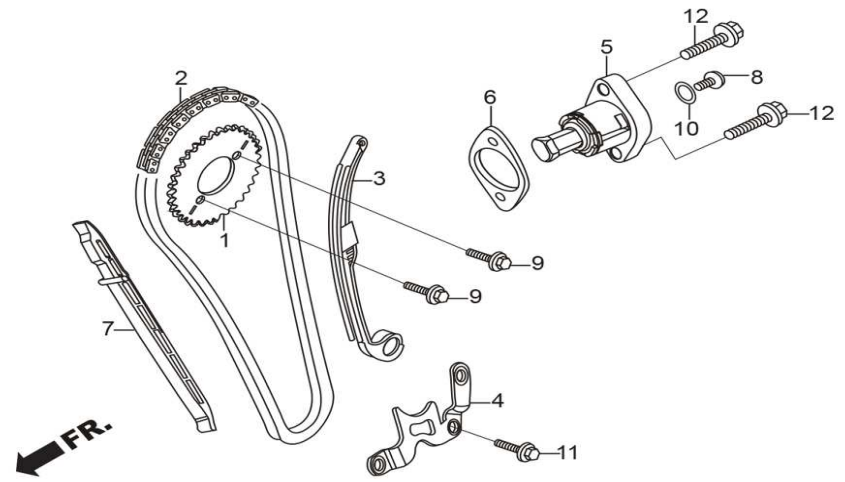
E-3
CYLINDER



FR.

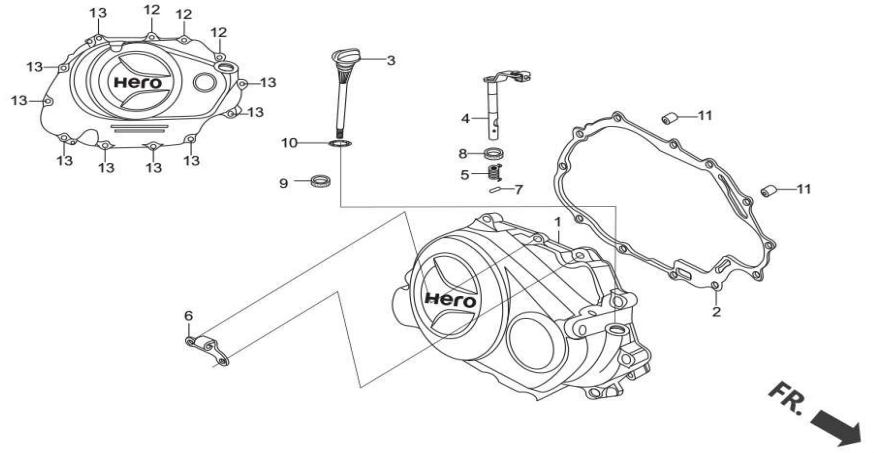
Service Item	F.R.T.	Group Number: E-3 Model :: HUNK (Feb, 2016) EURO III			
		Ref No.	Part Number	Description	Req.
GASKET, CYLINDER	1.6	1	12100-KVE-900	CYLINDER COMP.,	1
CYLINDER COMP.,	1.7	2	12191-KWK-900	GASKET, CYLINDER	1
		3	12195-KVE-900	RUBBER , INSERT	2
		4	94301-10120	DOWEL PIN, 10X12	2

E-4
CAM CHAIN TENSIONER



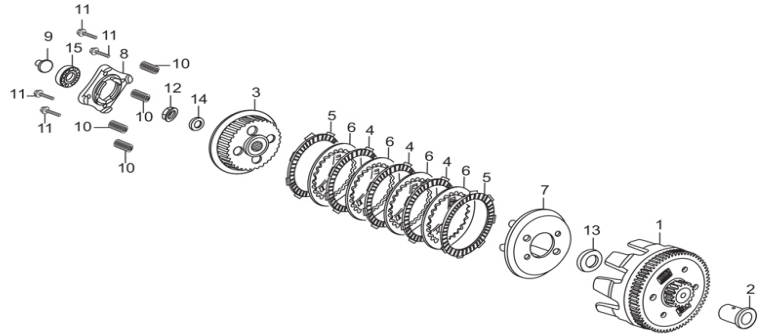
Service Item	F.R.T.	Group Number: E-4 Model :: HUNK (Feb, 2016) EURO III			
		Ref No.	Part Number	Description	Req.
* LIFTER ASSY., TENSIONER	0.2	1	14321-KRM-840	SPROCKET, CAM, (34T)	1
* SPROCKET, CAM, (34 T)	0.5	2	14401-KCW-851	CHAIN, CAM	1
* TENSIONER ASSY., CAM CHAIN	0.9	3	14510-KVE-900	TENSIONER ASSY.,CAM CHAIN	1
* CHAIN, CAM	1	4	14515-KRM-840	PLATE, TENSIONER SET	1
* GUIDE, CAM CHAIN	1.4	5	14520-KVE-900	LIFTER ASSY., TENSIONER	1
		6	14560-KSP-910	GASKET, TENSIONER LIFTER	1
		7	14610-KSP-910	GUIDE CAM CHAIN	1
		8	90005-KY7-000	SCREW, PAN, 6X6	1
		9	90083-KRM-840	BOLT, KNOCK, 5 MM	2
		10	91306-MG3-000	'O'- RING, 1.5X9.5	1
		11	95701-06016-00	BOLT, FLANGE, 6X16	1
		12	96001-06022-00	BOLT, FLANGE, SH. 6 X 22	2

E-5
RIGHT CRANK CASE COVER



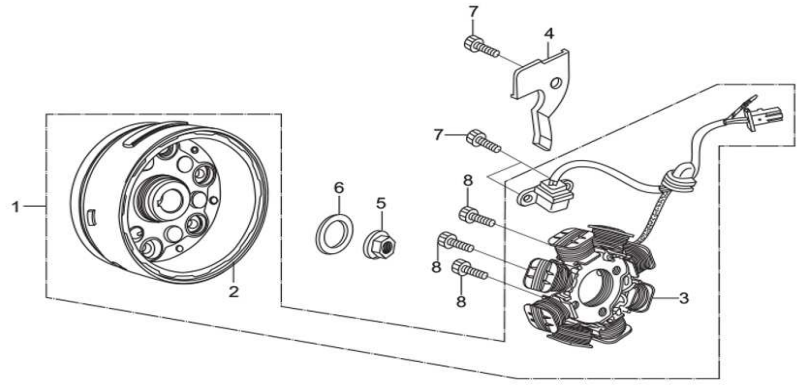
Service Item	F.R.T.	Group Number: E-5 Model :: HUNK (Feb, 2016) EURO III			
		Ref No.	Part Number	Description	Req.
* GASKET, R CRANKCASE COVER	0.6	1	11330-AAK-100	COVER COMP. R CRANK CASE	1
* OIL SEAL ,16 X28 X 27	--	2	11393-KWK-900	GASKET, RIGHT COVER	1
* COVER COMP., R CRANKCASE	0.7	3	15650-KVN-970	GAUGE,OIL LEVEL	1
* LEVER COMP., CLUTCH	--	4	22810-KRM-B00	LEVER COMP CLUTCH	1
(INC. RELATIVE PART)	--	5	22815-428-000	SPRING, CLUTCH LEVER	1
		6	22821-KRM-840	RECEIVER, CLUTCH CABLE	1
		7	90701-KFN-850	PIN, SPRING, 3 X 10	1
		8	91202-KSP-911	OIL SEAL, 12 X 18 X 4	1
		9	91204-MC7-003	OIL SEAL, 16 X 28 X 7	1
		10	91307-KRM-840	O-RING, 18 X 3	1
		11	94301-08140	DOWEL PIN, 8X14	2
		12	96001-06030-00	BOLT, FLANGE, SH., 6 X 30	3
		13	96001-06040-00	BOLT, FLANGE, SH. 6 X 40	9

E-6
CLUTCH



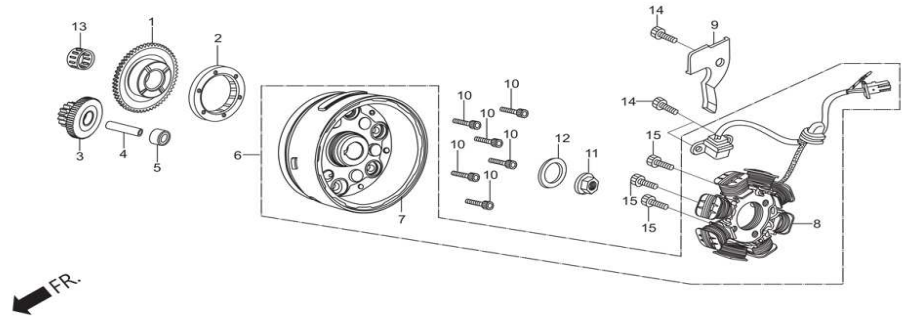
Service Item	F.R.T.	Group Number: E-6 Model :: HUNK (Feb, 2016) EURO III			
		Ref No.	Part Number	Description	Req.
ROD, CLUTCH LIFTER	0.6	1	22100-KTN-900	OUTER COMP., CLUTCH	1
SPRING, CLUTCH	0.7	2	22115-KSP-910	GUIDE, CLUTCH OUTER	1
(SAME TIME FOR TWO UNITS OR MORE)	--				
CENTER, CLUTCH	0.8	3	22120-KRM-840	CENTRE CLUTCH	1
DISC, CLUTCH FRICTION	--	4	22201-KPM-850	DISK, CLUTCH FRICTION, 4 X 8 X 45	3
(INC. RELATIVE PART)	--	5	22201-MR8-000	DISC CLUTCH FRICTION	2
(SAME TIME FOR TWO UNITS OR MORE)	--	6	22321-KPS-900	PLATE, CLUTCH	4
OUTER COMP., CLUTCH	--	7	22355-KRM-840	PLATE, CLUTCH PRESSURE	1
		8	22361-KPK-900	PLATE, CLUTCH LIFTER	1
		9	22366-KSP-910	ROD, CLUTCH LIFTER	1
		10	22401-KRM-840	SPRING CLUTCH	4
		11	90008-KRM-840	BOLT, FLANGE 6 X 25	4
		12	90202-KRM-840	NUT SPL FLANGE 14MM	1
		13	90401-KRM-840	WASHER PLAIN 17MM	1
		14	90501-KPT-A00	WASHER 14.1X29X2.8	1
		15	96100-60030-00	BEARING, RADIAL BALL, 6003	1

E-7
A. C. GEN. ASSY.



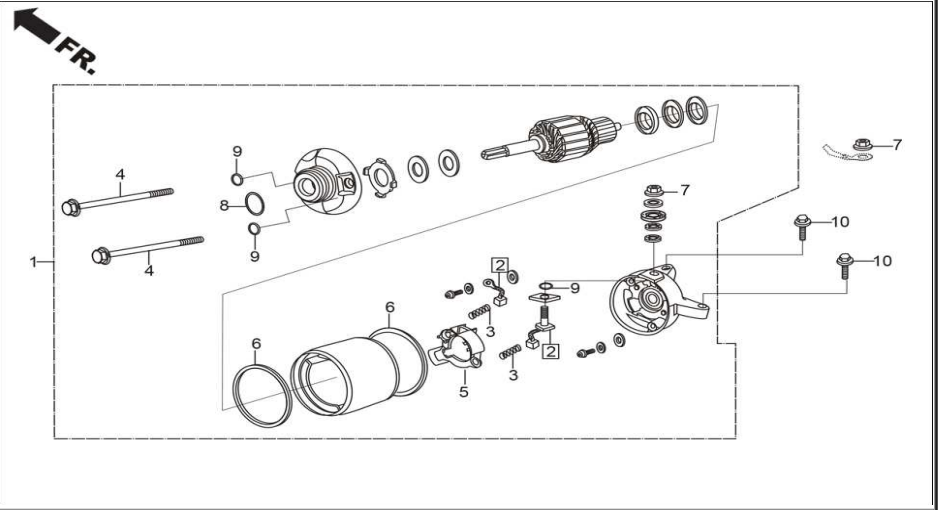
Service Item	F.R.T.	Group Number: E-7 Model :: HUNK (Feb, 2016) EURO III			
		Ref No.	Part Number	Description	Req.
* FLY WHEEL COMP	0.5	1	31100-KSP-B01	AC GEN ASSY	1
* STATOR COMP	--	2	31110-KSP-B01	FLYWHEEL COMP	1
		3	31120-KSP-B01	STATOR COMP	1
		4	32111-KSP-910	CLAMPER, ACG CORD	1
		5	90201-KRM-840	NUT, FLANGE, 14 MM	1
		6	90501-KPT-A00	WASHER 14.1X29X2.8	1
		7	96600-06016-00	BOLT, SOCKET, 6 X 16	3
		8	96600-06022-00	SOCKET BOLT 6X22	3

E-7A
A. C. GEN. ASSY.



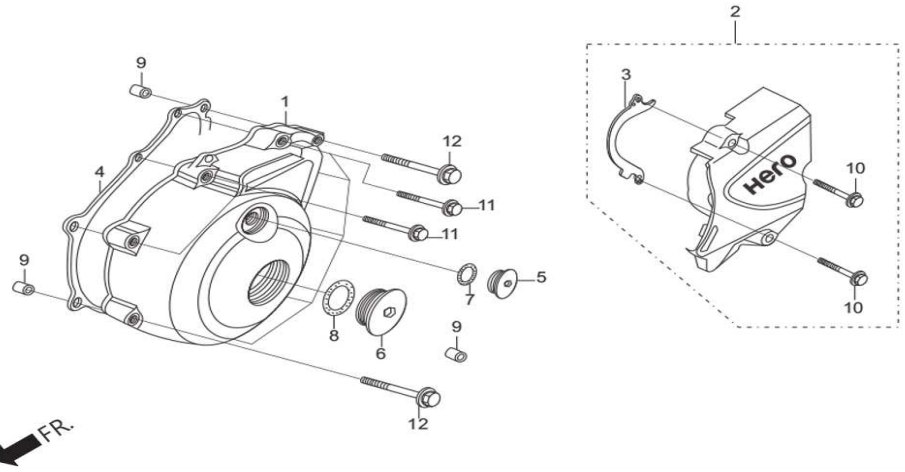
Service Item	F.R.T.	Group Number: E-7A Model :: HUNK (Feb, 2016) EURO III			
		Ref No.	Part Number	Description	Req.
FLYWHEEL COMP.	0.5	1	28110-KTN-900	GEAR COMP., STARTER DRIVEN	1
STATOR, COMP.,	--	2	28120-KTR-A00A	ASSY. ONEWAY CLUTCH	1
		3	28131-KTN-900	GEAR STARTER REDUCTION	1
		4	28132-KN6-930	SHAFT, REDUCTION GEAR	1
		5	28133-KRM-850	COLLAR, STARTER REDUCTION	1
		6	31100-KSP-B01	AC GEN ASSY	1
		7	31110-KSP-B01	FLYWHEEL COMP	1
		8	31120-KSP-B01	STATOR COMP	1
		9	32111-KSP-910	CLAMPER, ACG CORD	1
		10	90085-KTC-920	BOLT, SOCKET, 6 X 14	6
		11	90201-KRM-840	NUT, FLANGE, 14 MM	1
		12	90501-KPT-A00	WASHER 14.1X29X2.8	1
		13	91022-KTN-900	BEARING NEEDLE, 22 X 29 X 16.8	1
		14	96600-06016-00	BOLT, SOCKET, 6 X 16	3
		15	96600-06022-00	SOCKET BOLT 6X22	3

E-7B
STARTER MOTOR



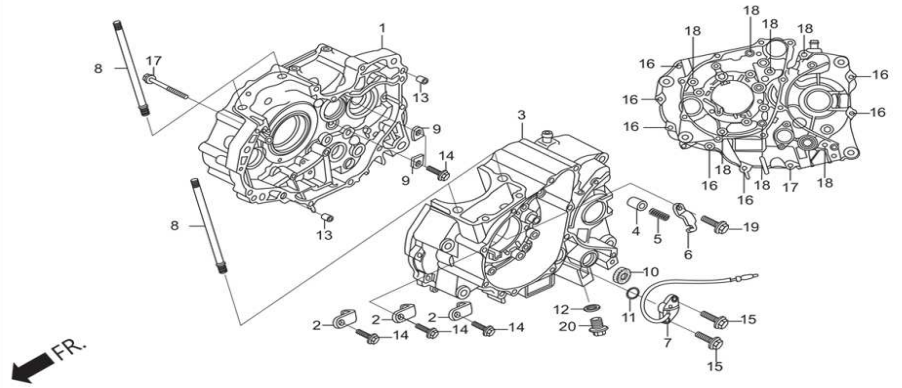
Service Item	F.R.T.	Group Number: E-7B Model :: HUNK (Feb, 2016) EURO III			
		Ref No.	Part Number	Description	Req.
* MOTOR ASSY., STARTER	0.7	1	31200-KSP-901	MOTOR ASSY., STARTER	1
* BRUSH, TERMINAL SET	0.9	2	31201-KPT-A01	BRUSH, TERMINAL SET	2
		3	31204-KG8-004	BRUSH, SPRING	2
		4	31205-KTC-921	BOLT, SET	2
		5	31206-KPH-881	BRUSH, HOLDER SET	1
		6	31207-MBE-008	RING	2
		7	90071-MB0-000	NUT, WASHER, 6 MM	2
		8	91309-425-003	'O' RING 24.4X3.1	1
		9	91320-MB0-000	'O' RING	3
		10	95701-06022-00	BOLT, FLANGE, SH. 6 X 22	2

E-7C
LEFT CRANK CASE COVER



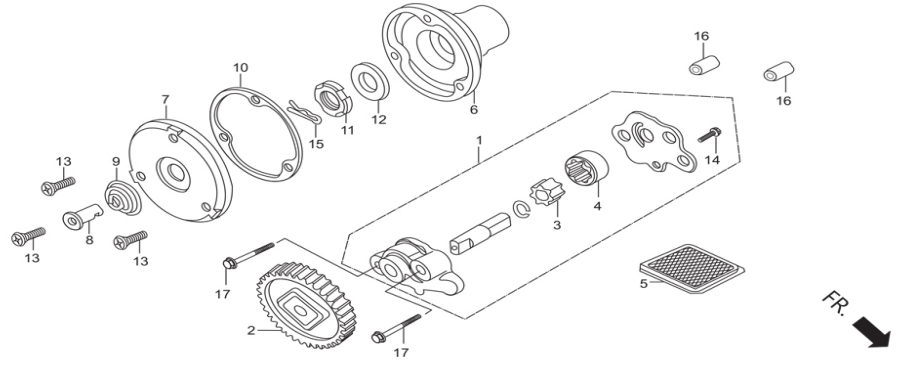
Service Item	F.R.T.	Group Number: E-7C Model :: HUNK (Feb, 2016) EURO III			
		Ref No.	Part Number	Description	Req.
COVER COMP., L RR.	0.1	1	11341-KVN-900	COVER L CRANK CASE(MGM)	1
GASKET, L COVER	0.2	3	11365-KSP-910	GUIDE DRIVE CHAIN	1
COVER LEFT CRANKCASE	0.3	4	11395-KWK-900	GASKET, L COVER	1
		5	90084-KVE-930	CAP 14 MM	1
		6	90087-KVE-900	CAP, 32 MM	1
		7	91303-KRM-840	O-RING 13.8 X 2.5	1
		8	91305-KRM-840	O-RING 31.7 X 2.4	1
		9	94301-08140	DOWEL PIN, 8X14	2
		10	96001-06030-00	BOLT, FLANGE, SH., 6 X 30	2
		11	96001-06035-00	BOLT, FLANGE, SH. 6 X 35	7
		12	96001-06045-00	BOLT, FLANGE, SH. 6 X 45	2

E-8
CRANK CASE



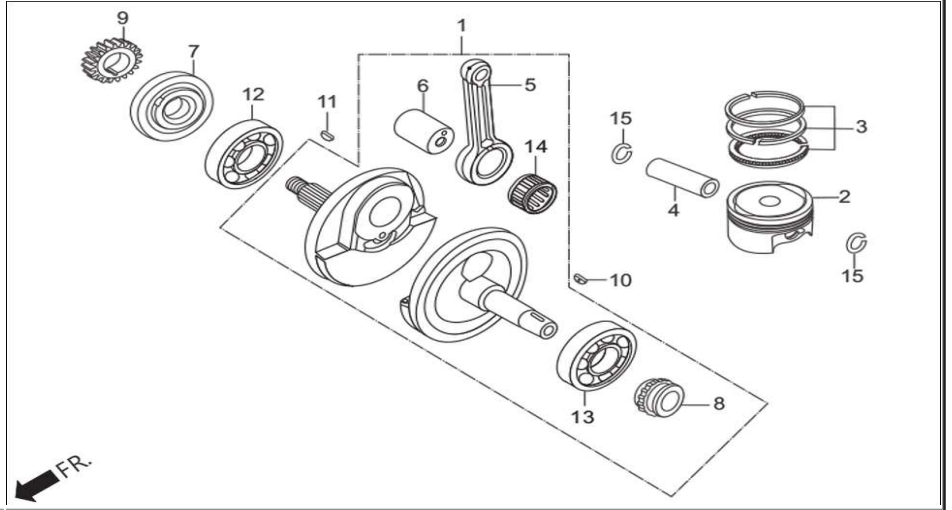
Service Item	F.R.T.	Group Number: E-8 Model :: HUNK (Feb, 2016) EURO III			
		Ref No.	Part Number	Description	Req.
* CONTACT ASSY., NEUTRAL SW	0.3	7	35759-KVN-900	CONTACT ASSY. NEUTRAL SWITCH	1
* BOLT, STUD, CYLINDER, 8 X 140	1.6	8	90031-KSP-910	BOLT STUD CYLN 8 X 140	4
(ADD 0.1 FOR EACH)		9	90441-KRM-840	PLATE, BRG. HOLD	2
* CRANKCASE COMP., L	*4.2	3	11200-KVE-900	CRANK CASE COMP., LEFT	1
*CRANK CASE COMP., R	*4.5	1	11100-KVE-900	CRANK CASE COMP., RIGHT	1
		2	11108-KTN-900	PLATE L BRG SET	3
		4	11215-KSP-910	PLUG BRG PUSH	1
		5	11216-KRM-840	SPRING BRG PUSH	1
		6	11217-KRM-840	PLATE BRG PUSH	1
		10	91203-KSP-910	OIL SEAL, 14 X 22 X 5	1
		11	91305-KPH-900	O-RING,19.4 X 2.3	1
		12	94109-12000	WASHER, PLUG, DRAIN	1
		13	94301-08140	DOWEL PIN, 8X14	2
		14	95701-06016-00	BOLT, FLANGE, 6X16	5
		15	95701-06020-00	BOLT, FLANGE, 6X20	4
		16	95701-06040-00	BOLT FLANGE 6X40	7
		17	95701-06045-00	BOLT, FLANGE, SH. 6 X45	1
		18	95701-06070-00	BOLT, FLANGE, SH. 6 X70	7
		19	96001-06018-00	BOLT, FLANGE, 6 X 18	1
		20	90131-KRM-840	BOLT, PLUG, DRAIN, 12 MM	1

E-8A
OIL PUMP



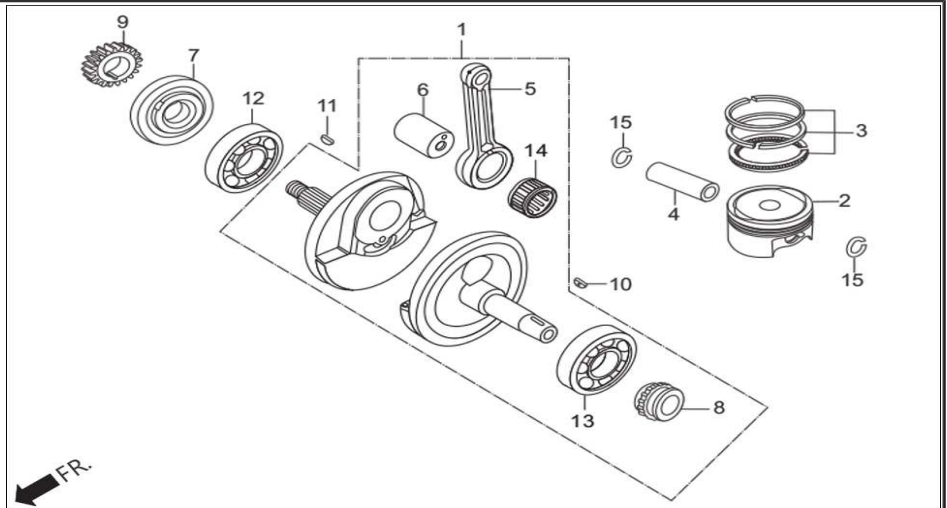
Service Item	F.R.T.	Group Number: E-8A Model :: HUNK (Feb, 2016) EURO III			
		Ref No.	Part Number	Description	Req.
CAP, OIL FILTER ROTOR	0.6	1	15100-KRM-840	OIL PUMP ASSY	1
GEAR COMP., OIL PUMP DRIVE	--	2	15130-KRM-840	GEAR COMP., OIL PUMP	1
SCREEN, OIL FILTER	--	3	15331-KRM-840	ROTOR, INNER OIL PUMP	1
PUMP ASSY., OIL	0.7	4	15332-KRM-840	ROTOR, OUTER OIL PUMP	1
ROTOR, OIL PUMP INNER (SAME TIME FOR TWO UNITS)	--	5	15421-KTN-900	SCREEN, OIL FILTER	1
		6	15430-KSP-910	ROTOR, OIL FILTER	1
		7	15436-KRM-840	CAP, OIL FILTER ROTOR	1
		8	15441-KCS-650	OIL, THROUGH	1
		9	15446-107-000	SPRING, OIL THROUGH	1
		10	15459-KWK-900	GASKET ,OIL FILTER CAP	1
		11	90231-KM7-700	NUT, LOCK, 14 MM	1
		12	90432-KPT-A00	WASHER, 14.2 X 26 X 3	1
		13	93700-05012-0A	SCREW, OVAL, 5X12	3
		14	93901-34120	SCREW, TAPPING, 4X8	1
		15	94251-08000	PIN LOCK, 8 MM	1
		16	94301-08140	DOWEL PIN, 8X14	2
		17	95701-06035-00	BOLT, FLANGE, 6X35	2

E-9
CRANK SHAFT / PISTON



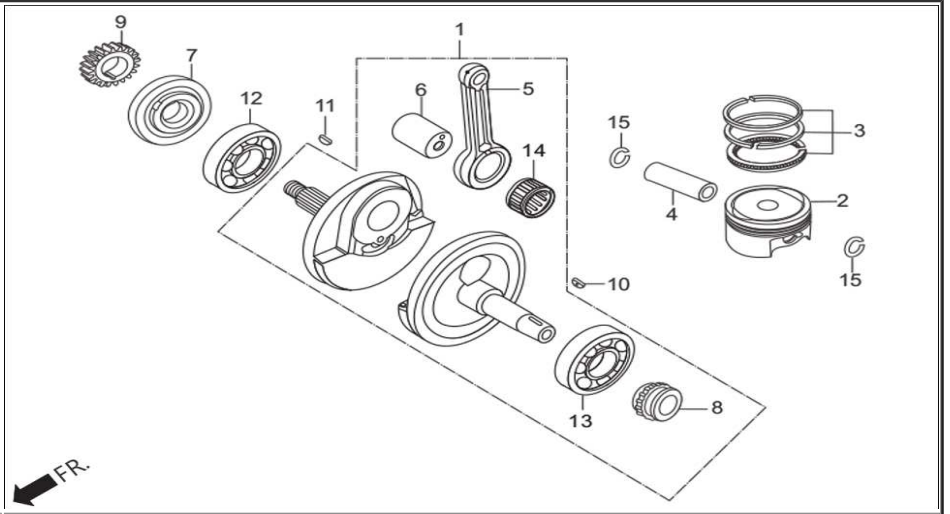
Service Item	F.R.T.	Group Number: E-9 Model :: HUNK (Feb, 2016) EURO III			
		Ref No.	Part Number	Description	Req.
* PIN, PISTON	1.7	1	13000-AAB-100	CRANK SHAFT COMP.	1
* RING SET, PISTON	1.8	2	13101-AAB-100	PISTON	1
* RING SET, PISTON	--		13102-AAB-305	PISTON(O/S 0.25)	1
* BEARING, ROLLER 30 X 58 X 17	*3.7		13103-AAB-305	PISTON(O/S 0.50)	1
*CRANKSHAFT COMP.	--		13104-AAB-305	PISTON(O/S 0.75)	1
			13105-AAB-305	PISTON(O/S 1.00)	1
		3	13011-KRM-305	RING SET, PISTON (STD)	1
			13021-KRM-305	RING SET, PISTON O/S 0.25	1
			13031-KRM-305	RING SET, PISTON O/S 0.50	1
			13041-KRM-305	RING SET, PISTON O/S 0.75	1
			13051-KRM-305	RING SET, PISTON O/S 1.00	1
		4	13111-KSP-910	PIN, PISTON	1
		5	13201-KRM-840	ROD, CONNECTING	1
		6	13380-KRM-840	PIN, COMP., CRANK	1
		7	13412-KSP-910	COLLAR, R CRANK SHAFT	1
		8	14311-KRM-840	SPROCKET, TIMING, (17T)	1
		9	23121-KVE-860	GEAR PRIMARY DRIVE	1
		10	90741-KFB-000	KEY,WOODRUFF,4 MM	1
		11	90741-KGH-900	KEY, WOODRUFF, 4 MM	1
		12	91001-KTN-900	BRG. ROLLER, 30 X 58 X 17	1

E-9
CRANK SHAFT / PISTON



Service Item	F.R.T.	Group Number: E-9 Model :: HUNK (Feb, 2016) EURO III			
		Ref No.	Part Number	Description	Req.
* PIN, PISTON	1.7				
* RING SET, PISTON	1.8	13	91002-KSP-911	BRG. BALL, RADIAL, 6207 SPL. L	1
* RING SET, PISTON	--	14	91101-KTN-901	BRG., NEEDLE, 28 X 36 X 15.8 (RED)	1
* BEARING, ROLLER 30 X 58 X 17	*3.7		91102-KTN-901	BRG., NEEDLE, 28 X 36 X 15.8 (BLUE)	1
*CRANKSHAFT COMP.	--		91103-KTN-901	BRG., NEEDLE, 28 X 36 X 15.8 (WHITE)	1
		15	94601-14000	CLIP, PISTON PIN	2

E-9
CRANK SHAFT / PISTON



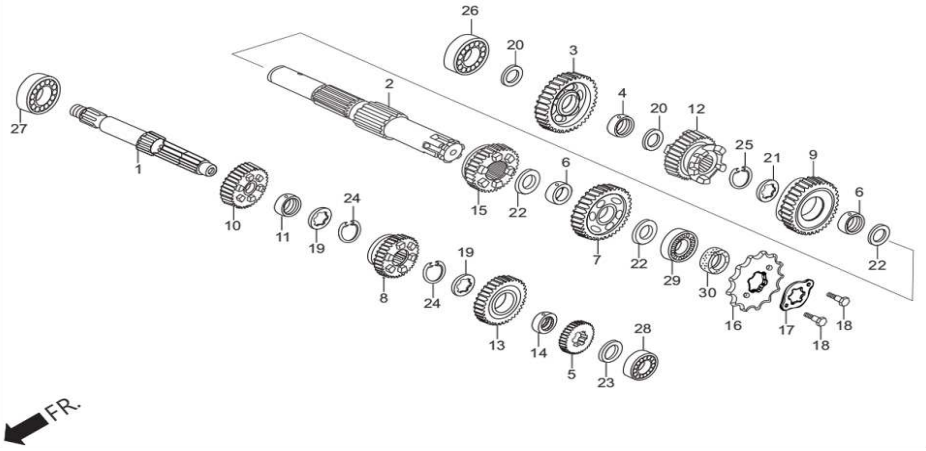
Service Item	F.R.T.
* PIN, PISTON	1.7
* RING SET, PISTON	1.8
* RING SET, PISTON	--
* BEARING, ROLLER 30 X 58 X 17	*3.7
*CRANKSHAFT COMP.	--

Group Number: E-9Model :: HUNK (Feb, 2016) EURO III

Crank Pin CODE (Color)	Connecting rod code				
	1 (Green)	2 (Yellow)	3 (White)	4 (Blue)	5 (Brown)
B 0,000 -0,002	91101- KTN-0000 (Red)				
a -0,002 -0,004	91102- KTN-0000 (Blue)				
C 0,000 -0,002		91101- KTN-0000 (Red)			
A -0,002 -0,004		91102- KTN-0000 (Blue)			
D 0,000 -0,002			91101- KTN-0000 (Red)		
B -0,002 -0,004			91102- KTN-0000 (Blue)		
a -0,004 -0,006			91103- KTN-0000 (White)		

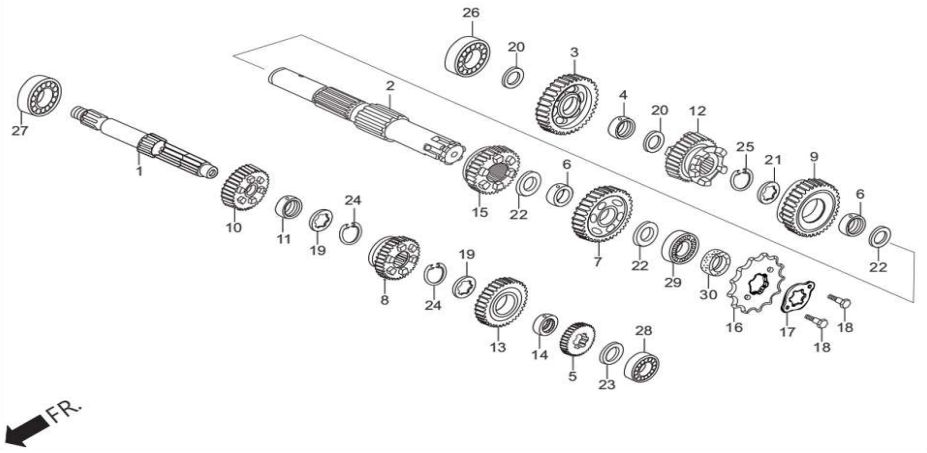
Crank Pin CODE (Color)	Connecting rod code				
	1 (Green)	2 (Yellow)	3 (White)	4 (Blue)	5 (Brown)
E 0,000 -0,002				91101- KTN-0000 (Red)	
C -0,002 -0,004				91102- KTN-0000 (Blue)	
a -0,004 -0,006				91103- KTN-0000 (White)	
F 0,000 -0,002					91101- KTN-0000 (Red)
D -0,002 -0,004					91102- KTN-0000 (Blue)
B -0,004 -0,006					91103- KTN-0000 (White)

E-10
TRANSMISSION



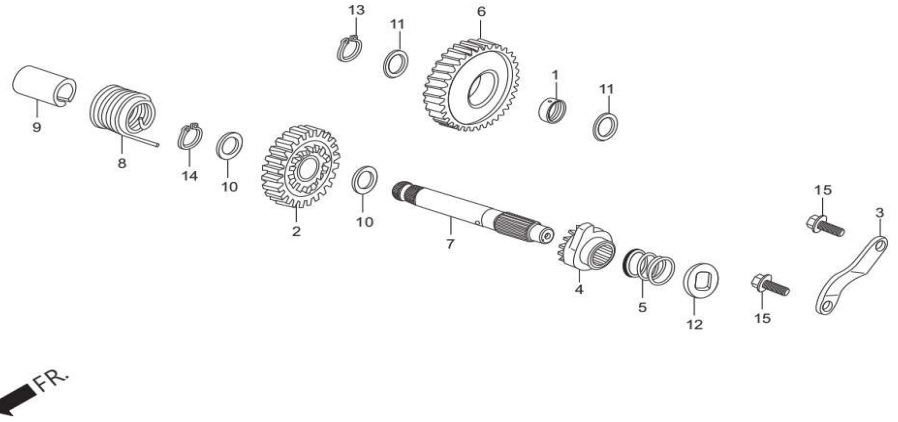
Service Item	F.R.T.	Group Number: E-10 Model :: HUNK (Feb, 2016) EURO III			
		Ref No.	Part Number	Description	Req.
* SPROCKET, DRIVE	0.2	1	23210-KSP-910	SHAFT COMP., MAIN TRANS	1
* COUNTER SHAFT COMP (INC. RELATIVE PART)	*3.7	2	23220-KTN-900	SHAFT COMP., COUNTER	1
* SHAFT COMP., MAIN TRANSMISSION (INC. RELATIVE PART)		3	23421-KVN-900	GEAR, C-1, (40 T)	1
(WHEN SERVICING COMP UNIT)		4	23427-KRM-840	BUSH, 17 X 20.5 X 8	1
(F.R.T. IS 3.9)		5	23431-KVN-900	GEAR, M-2, (19 T)	1
		6	23432-KRM-840	BUSH, 20 MM	2
		7	23441-KVN-900	GEAR, C2, (34 T)	1
		8	23451-KVN-900	GEAR, M3, (23 T)	1
		9	23461-KVN-900	GEAR, C3, (30 T)	1
		10	23471-KVN-900	GEAR, M4, (22 T)	1
		11	23472-KSP-910	BUSH 17 MM	1
		12	23481-KVN-900	GEAR, C-4, (24 T)	1
		13	23491-KVN-900	GEAR, M-5, (32 T)	1
		14	23492-KSP-910	COLLAR SPLINE 17X20X11	1
		15	23501-KVN-900	GEAR, C-5 (30 T)	1
		16	23801-KCT-690	SPROCKET, DRIVE (14T)	1
		17	23811-KR3-600	PLATE, A2 FIXING	1
		18	90084-041-000	BOLT, DRIVE SPRKT, FIXING	2
		19	90452-KRM-840	WASHER ,17 X 23 X1.6	2
		20	90452-GB4-770	WASHER, THRUST, 17MM	2

E-10
TRANSMISSION



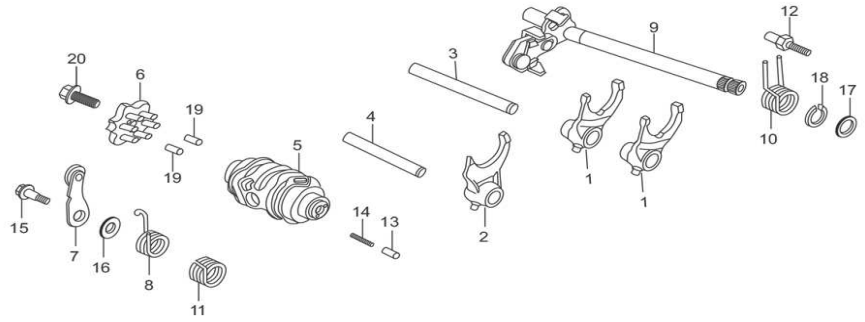
Service Item	F.R.T.	Group Number: E-10 Model :: HUNK (Feb, 2016) EURO III			
		Ref No.	Part Number	Description	Req.
* SPROCKET, DRIVE	0.2	21	90453-KRM-840	WASHER SPLINE 20 MM	1
* COUNTER SHAFT COMP (INC. RELATIVE PART)	*3.7	22	90454-107-000	WASHER ,THRUST, 20MM	3
* SHAFT COMP., MAIN TRANSMISSION (INC. RELATIVE PART)		23	90456-KRM-840	WASHER, THURST, 12MM	1
(WHEN SERVICING COMP UNIT)		24	90601-001-000	CIRCLIP 17MM	2
(F.R.T. IS 3.9)		25	90605-200-000	SET RING, 20MM	1
		26	91003-KSP-910	BRG. BALL RADIAL, 17 X 42 X 12	1
		27	91004-KTN-900	BRG. BALL RADIAL, 17 X 40 X 12	1
		28	91005-KTN-900	BRG. BALL RADIAL, 12 X 32 X 10	1
		29	91006-KTN-900	BRG., BALL RADIAL,20 X 47X 14	1
		30	91216-KSP-910	OIL SEAL	1

E-11
SPINDLE KICK STARTER



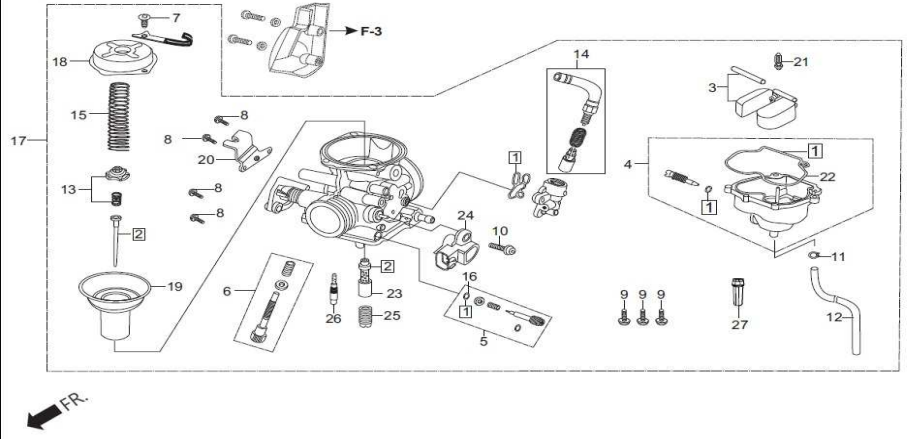
Service Item	F.R.T.	Group Number: E-11 Model :: HUNK (Feb, 2016) EURO III			
		Ref No.	Part Number	Description	Req.
SPINDLE, KICK STARTER (INC. RELATIVE PART)	0.7	1	23427-KRM-840	BUSH, 17 X 20.5 X 8	1
SPRING, KICK RETURN		2	28211-KRM-840	PINION, KICK STARTER	1
GEAR, KICK STARTER IDLE	0.8	3	28215-KRM-840	PLATE, KICK STOPPER	1
		4	28221-KTN-900	RATCHET, STARTER	1
		5	28223-KRM-840	SPRING, RATCHET	1
		6	28231-KRM-840	GEAR, KICK IDLE STARTER	1
		7	28251-KTN-900	SPINDLE, KICK STARTER	1
		8	28261-KRM-840	SPG., KICK RETURN	1
		9	28282-KRM-840	COLLAR, KICK SPG.	1
		10	90451-KRM-840	WASHER, THRUST, 16 MM	2
		11	90452-GB4-770	WASHER, THRUST, 17MM	2
		12	90455-KSP-910	WASHER, SPL., 14 MM	1
		13	90602-KRM-840	CIRCLIP, EXTERNAL, 17 MM	1
		14	94510-16000	CIRCLIP, EXTERNAL, 16 MM	1
		15	95701-06016-00	BOLT, FLANGE, 6X16	2

E-12
DRUM GEAR SHIFT



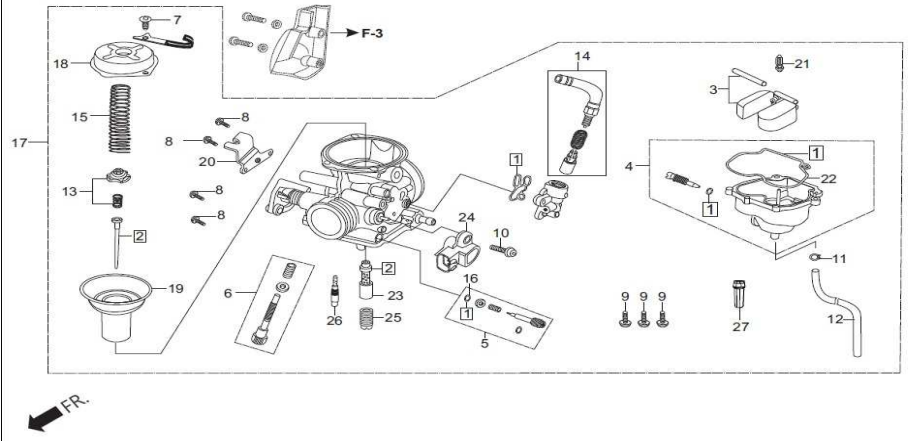
Service Item	F.R.T.	Group Number: E-12 Model :: HUNK (Feb, 2016) EURO III			
		Ref No.	Part Number	Description	Req.
* SPINDLE COMP., GEARSHIFT	0.8	1	24211-KRM-840	FORK, R/L, GEAR SHIFT	2
* PLATE COMP., SHIFT DRUM	--	2	24212-KRM-840	FORK, CENTER, GEAR SHIFT	1
STOPPER	0.9	3	24241-KRM-840	SHAFT, A GEAR SHIFT FORK	1
* STOPPER COMP., GEARSHIFT DRUM	--	4	24242-KRM-840	SHAFT, B GEAR SHIFT FORK	1
* DRUM, GEARSHIFT	*3.6	5	24301-KSP-910	DRUM GEAR SHIFT	1
* FORK, GEAR SHIFT	--	6	24410-KSP-860	PLATE, COMP., SHIFT DRUM STOPPER	1
(SAME FOR TWO UNITS OR MORE)	--	7	24430-KTN-900	STOPR COMP., GEAR SHIFT DRUM	1
		8	24436-KSP-910	SPRING, DRUM STOPPER	1
		9	24610-KSP-910	SPINDLE, COMP., GEAR SHIFT	1
		10	24651-KSP-910	SPRING, SHIFT RETURN	1
		11	24627-KRM-840	SPRING GEAR SHIFTER RESET	1
		12	24652-KSP-910	PIN, SHIFT, RETURN SPRING	1
		13	35751-KPH-900	CAP, CONTACT CHANGE SW.	1
		14	35752-KRM-840	SPRING, CONN. CHANGE SW.	1
		15	90022-MG8-000	PIVOT, SHIFT DRUM STOPR. ARM	1
		16	90417-041-000	WASHER, GEAR SHIFT DRUM SIDE	1
		17	90457-KRM-840	WASHER, 14 MM	1
		18	94510-14000	CIRCLIP, EXTERNAL, 14 MM	1
		19	96220-30085	ROLLER, 3 X 8.5	2
		20	90003-KVS-900	BOLT HEX.6X20	1

E-13
CARBURETTOR



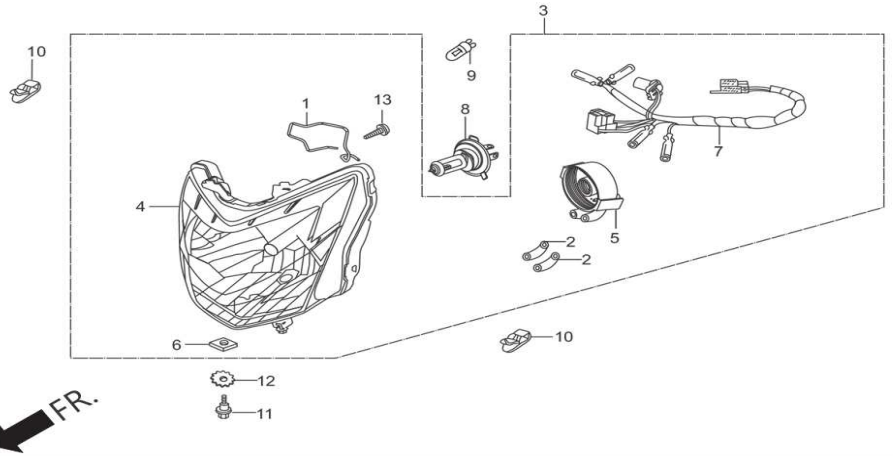
Service Item	F.R.T.	Group Number: E-13 Model :: HUNK (Feb, 2016) EURO III			
		Ref No.	Part Number	Description	Req.
* SENSOR ASSY., THROTTLE	0.2	1	16010-AAB-102	GASKET SET	1
* CHAMBER SET, FLOAT	0.4	2	16012-AAB-801	NEEDLE, SET, JET	1
* PISTON COMP., VACUUM	--	3	16013-AAB-102	FLOAT SET	1
* VALVE SET, STARTER	--	4	16015-AAB-102	CHAMBER SET FLOAT	1
* CARBURETTOR ASSY.	0.5	5	16016-AAB-102	SCREW SET A	1
* FLOAT SET	--	6	16028-AAB-102	SCREW SET B	1
* JET, MAIN,	--	7	16031-AAB-102	SCREW PAN 4X8	1
* VALVE COMP., FLOAT	--	8	16032-AAB-102	SCREW PAN 5X10	4
* NEEDLE SET, JET	0.6	9	16033-AAB-102	SCREW PAN 4X16	3
		10	16034-AAB-102	SCREW-WASH TORX 5X16	1
		11	16035-AAB-102	CLIP TUBE	1
		12	16036-AAB-102	TUBE 4.5X500	1
		13	16037-AAB-102	PLATE SET VALVE	1
		14	16046-AAB-102	VALVE SET STARTER	1
		15	16050-AAB-102	SPG COMPRESSION COIL	1
		16	16075-AAB-102	O-RING	2
		17	16100-AAB-801	CARBURETTOR, ASSY.	1
		18	16107-AAB-102	TOP	1
		19	16111-AAB-102	PISTON COMP VACUUM	1
		20	16119-AAB-102	STAY WIRE	1

E-13
CARBURETTOR



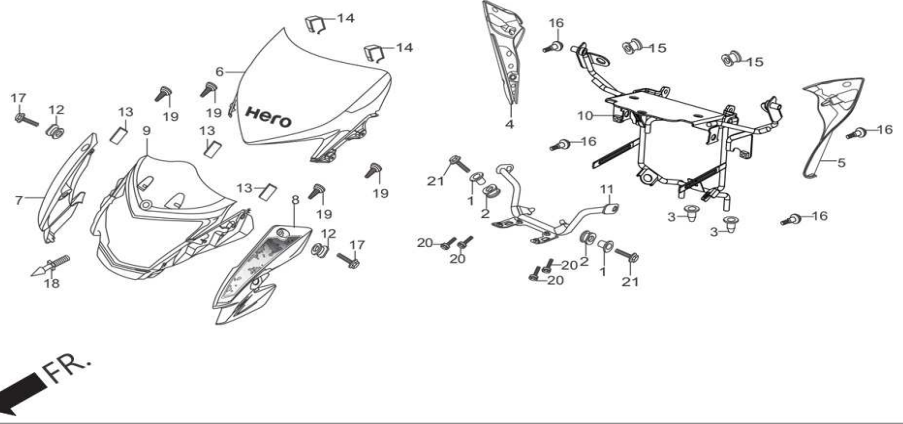
Service Item	F.R.T.	Group Number: E-13 Model :: HUNK (Feb, 2016) EURO III			
		Ref No.	Part Number	Description	Req.
* SENSOR ASSY., THROTTLE	0.2	21	16155-AAB-102	VALVE COMP FLOAT	1
* CHAMBER SET, FLOAT	0.4	22	16163-AAB-102	GASKET FLOAT CHAMBER	1
* PISTON COMP., VACUUM	--	23	16165-AAB-102	HOLDER NEEDLE JET	1
* VALVE SET, STARTER	--	24	37890-AAB-102	SENSOR ASSY THROTTLE	1
* CARBURETTOR ASSY.	0.5	25	99101-AAB-1275	JET # 127.5	1
* FLOAT SET	--	26	99103-AAB-0125	JET SLOW #12.5	1
* JET, MAIN,	--	27	16027-AAB-102	FILTER FUEL INLET NIPPLE	1
* VALVE COMP., FLOAT	--				
* NEEDLE SET, JET	0.6				

F-1
HEAD LIGHT



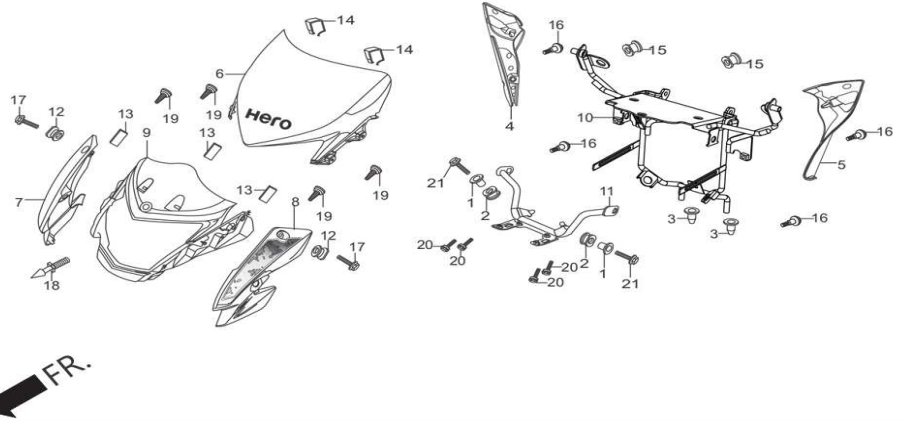
Service Item	F.R.T.	Group Number: F-1 Model :: HUNK (Feb, 2016) EURO III			
		Ref No.	Part Number	Description	Req.
* BULB, HEADLIGHT	0.2	1	33108-KRY-900	SPRING, SPC(BULB HOLDER)	1
* SOCKET ASSY., HEADLIGHT	0.2	2	33101-KVN-901	TUBE	2
* UNIT, HEADLIGHT	0.3	3	3310B-AAK-201	LIGHT ASSY., HEAD (W/O BULB)	1
		4	33110-AAK-201	UNIT, HEAD LIGHT	1
		5	33112-KTN-921	SOCKET COVER	1
		6	33128-GBL-000	NUT, SPECIAL	1
		7	33150-KVN-901	SOCKET ASSY., HEAD LIGHT	1
		8	34901-KSP-910	BULB, HEAD LIGHT	1
		9	34920-AAK-201	BULB, WEDGE BASE (W3W) E MARK	1
		10	53209-GAH-000	CLIP, HEADLIGHT	2
		11	90101-GJ6-000	BOLT, ADJUST	1
		12	90307-GJ6-000	WASHER, LOCK, 6 MM	1
		13	93901-04012-00	SCREW, TAPPING SPL., 4 X 12	1

F-1A
FRONT COWL /STAY



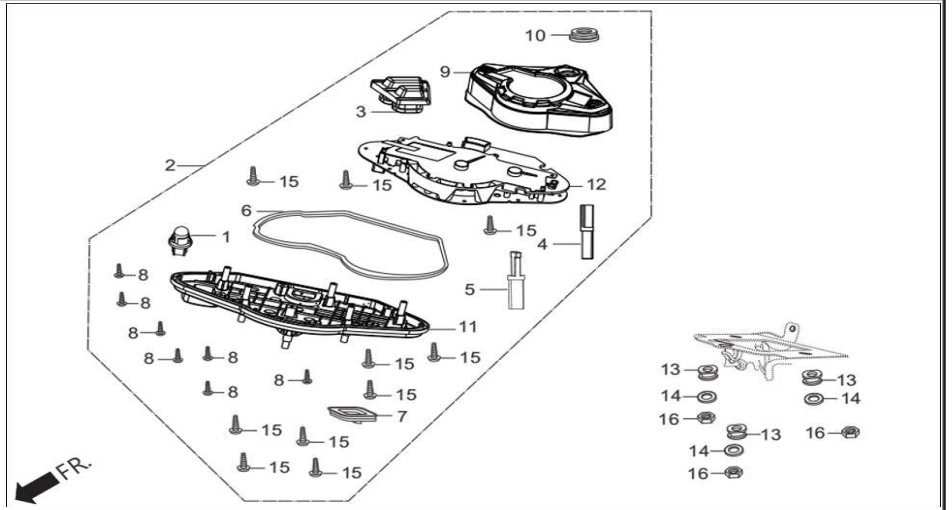
Service Item	F.R.T.	Group Number: F-1A Model :: HUNK (Feb, 2016) EURO III			
		Ref No.	Part Number	Description	Req.
*SET WIND SCREEN	0.2	1	19052-KV0-000	COLLAR, RADIATOR MTG	2
* COWL, FR	0.4	2	50451-GB6-920	RUBBER, TAIL LIGHT SET	2
* STAY COMP., FR. COWL	0.5	3	61312-KCT-690	BOOT, HEAD LIGHT STAY	2
* COWL 'R' FR. SIDE	--	4	61330-KVN-900	PANEL, R SIDE	1
* COWL 'L' FR. SIDE	--	5	61340-KVN-900	PANEL, L SIDE	1
* COWL, FR CENTER	--	6	64100-AAK-100	SET, WIND SCREEN	1
		7	64200-AAK-100R	SET R COWL FR SIDE(PNB NH-B08M)	1
			64200-AAK-100U	SET R COWL FR SIDE(MBK NH-105)	1
			64200-AAK-100V	SET R COWL FR SIDE(CBR R-195C)	1
			64200-AAK-100X	SET R COWL FR SIDE(PHG GY-136P)	1
			64200-AAK-100Z	SET R COWL FR SIDE(PFW NH-341P)	1
		8	64300-AAK-100R	SET L COWL FR SIDE(PNB NH-B08M)	1
			64300-AAK-100U	SET L COWL FR SIDE(MBK NH-105)	1
			64300-AAK-100V	SET L COWL FR SIDE(CBR R-195C)	1
			64300-AAK-100X	SET L COWL FR SIDE(PHG GY-136P)	1
			64300-AAK-100Z	SET L COWL FR SIDE(PFW NH-341P)	1
		9	64206-KVN-970	COWL,FR CENTER	1
		10	64312-KVN-970	STAY COMP , FR. COWL	1
		11	64313-KVN-900	STAY COMP., FR. WINKER	1
		12	64316-KVN-900	RUBBER, FR., COWL MT	2

F-1A
FRONT COWL /STAY



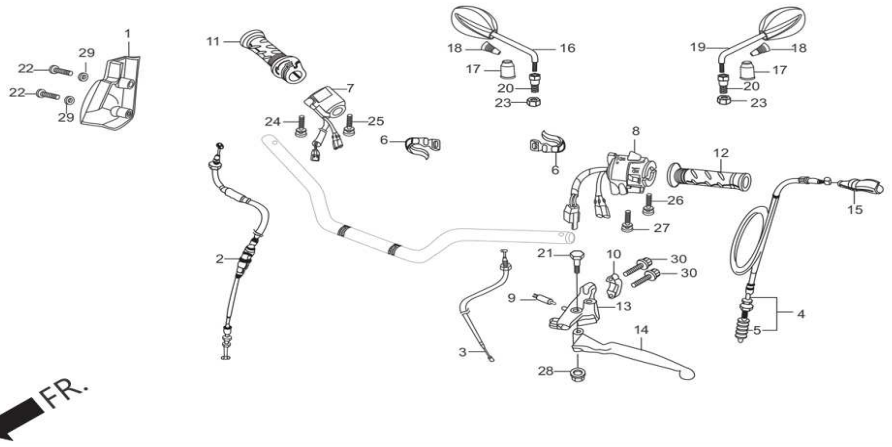
Service Item	F.R.T.	Group Number: F-1A Model :: HUNK (Feb, 2016) EURO III			
		Ref No.	Part Number	Description	Req.
*SET WIND SCREEN	0.2	13	77246-KVN-900	RUBBER FR	3
* COWL, FR	0.4	14	77247-KVN-900	RUBBER, STOPPER	2
* STAY COMP., FR. COWL	0.5	15	83551-376-000	GROMMET, SIDE COVER	2
* COWL 'R' FR. SIDE	--	16	90101-GE0-000	SCREW, HINGE PATCH	4
* COWL 'L' FR. SIDE	--	17	90105-KVN-900	BOLT, SPECIAL 6 X 22	2
* COWL, FR CENTER	--	18	90899-KVN-900	PLUG, CORN	1
		19	93903-34380	SCREW, TAPPING, 4X12	4
		20	95701-06012-00	BOLT, FLANGE, 6X12	4
		21	95701-06020-00	BOLT, FLANGE, 6X20	2

F-2
SPEEDOMETER / CABLE



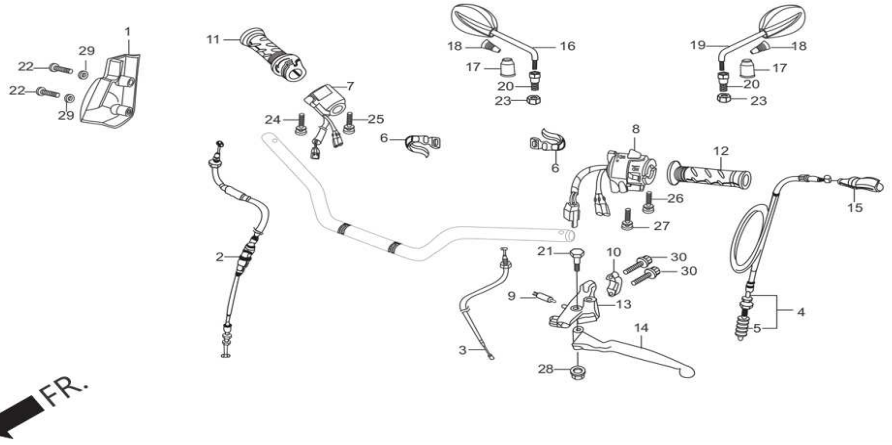
Service Item	F.R.T.	Group Number: F-2 Model :: HUNK (Feb, 2016) EURO III			
		Ref No.	Part Number	Description	Req.
* METER ASSY., COMB	0.3	1	35505-KVN-971	BULB SOCKET ASSY.	1
* SPEEDOMETER COMP	0.5	2	37100-KVN-971	METER ASSY.COMB.	1
* TACHO METER COMP	0.5	3	37101-KVN-971	SELECT & RESET GROMMET	1
* CASE, COMP. UPPER	--	4	37213-KVN-971	SELECT KNOB	1
* CASE, COMP. LOWER	0.4	5	37214-KVN-971	RESET KNOB	1
* SOCKET COMP	--	6	37215-KVN-971	SEALING GASKET	1
* CABLE ASSY., SPEEDOMETER	0.2	7	37216-KVN-971	BULB GROMMET	1
		8	37217-KVN-971	SCREW TAPPING 3X11	7
		9	37300-KVN-970H	CASE UPPER ASSY	1
		10	37312-KVN-971	GROMMET IGNITION	1
		11	37400-KVN-971	CASE LOWER ASSY.	1
		12	37500-KVN-971	METER COMP.	1
		13	80101-443-000	RUBBER, RR. FENDER CUSHION	3
		14	90525-030-000	WASHER, PLAIN	3
		15	93901-42480	SCREW TAPPING 3X16	10
		16	94001-06090-0S	NUT, HEX, 6 MM	3

F-3
HANDLE LEVER / SWITCH/CABLES



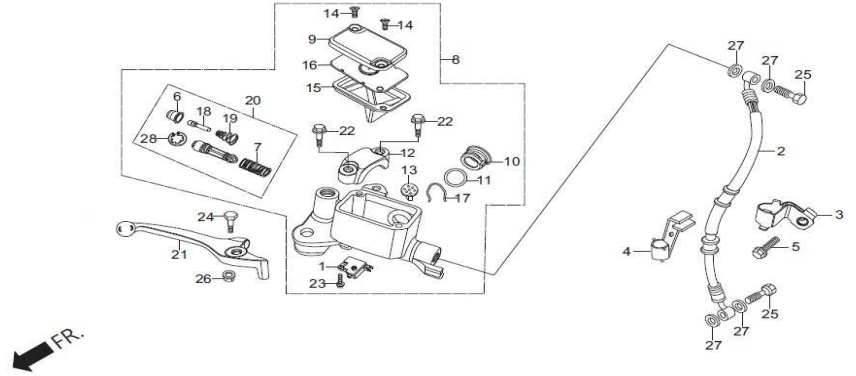
Service Item	F.R.T.	Group Number: F-3 Model :: HUNK (Feb, 2016) EURO III			
		Ref No.	Part Number	Description	Req.
* CABLE COMP., THROTTLE	0.3	1	16150-KTN-700H	COVER THROTTLE CABLE	1
* CABLE COMP., CLUTCH	0.2	2	17910-KVN-900	CABLE COMP., THROT	1
* SWITCH ASSY., LIGHTING	0.4	3	17950-KVE-900	CABLE COMP., CHOKE	1
* SWITCH ASSY., WINKER	0.5	4	22870-KVN-900	CABLE COMP., CLUTCH	1
* SWITCH ASSY., FR. STOP	0.1	5	22871-KTN-700	BOOT, CLUTCH CABLE	1
* GRIP COMP., THROTTLE	0.1	6	32161-404-000	BAND B-1,WIRE	2
* GRIP L. HANDLE	--	7	35150-AAK-201	SWITCH ASSY., START	1
* BRACKET, L HANDLE LEVER	0.2	8	35200-AAK-201	SWITCH ASSY., WINKER	1
* CABLE COMP., CHOKE	0.6	9	35330-413-003	SW. COMP., FR. LEVER	1
		10	45517-166-000	HOLDER, MASTER CYLINDER	1
		11	53140-KFN-850	GRIP COMP., THROTTLE	1
		12	53166-KFN-850	GRIP, 'L' HANDLE	1
		13	53172-KRC-900	BRACKET, HANDLE LEVER	1
		14	53178-KFN-850	LEVER COMP., 'L' HANDLE	1
		15	53182-KFN-850	BOOT, 'L' HANDLE LEVER	1
		16	88110-AAK-H01ZA	MIRROR ASSY R BACK (PBME,NH-B08M)	1
			88110-AAK-100U	MIRROR ASSY R BACK(MBK NH-105)	1
			88110-AAK-H01ZE	MIRROR ASSY R BACK(CBR,R-195C)	1
			88110-AAK-H01ZD	MIRROR ASSY R BACK(PHG,GY-136P)	1
			88110-AAK-H70Y	MIRROR ASSY R BACK(PFW,NH341P)	1

F-3
HANDLE LEVER / SWITCH/CABLES



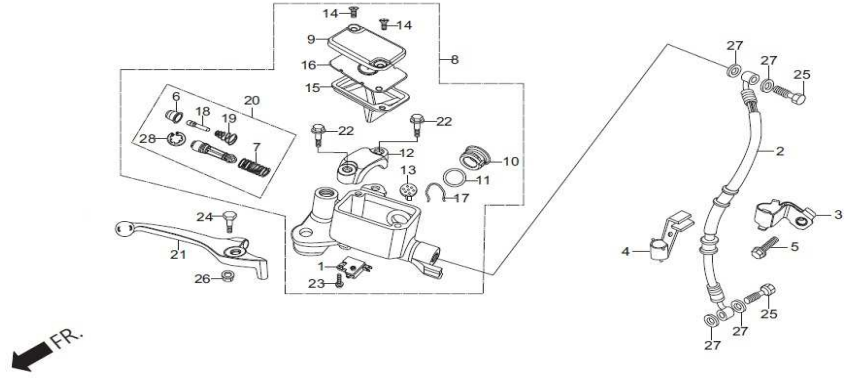
Service Item	F.R.T.	Group Number: F-3 Model :: HUNK (Feb, 2016) EURO III			
		Ref No.	Part Number	Description	Req.
* CABLE COMP., THROTTLE	0.3	17	88114-198-D10	CAP, LOCK NUT	2
* CABLE COMP., CLUTCH	0.2	18	88115-KTR-900	BOOT, MIRROR UPPER	2
* SWITCH ASSY., LIGHTING	0.4	19	88120-AAK-H01ZA	MIRROR ASSY L BACK (PBME,NH-B08M)	1
* SWITCH ASSY., WINKER	0.5		88120-AAK-100U	MIRROR ASSY L BACK(MBK NH-105)	1
* SWITCH ASSY., FR. STOP	0.1		88120-AAK-H01ZE	MIRROR ASSY L BACK(CBR,R-195C)	1
* GRIP COMP., THROTTLE	0.1		88120-AAK-H01ZD	MIRROR ASSY L BACK(PHG,GY-136P)	1
* GRIP L. HANDLE	--		88120-AAK-H70Y	MIRROR ASSY L BACK(PFW,NH341P)	1
* BRACKET, L HANDLE LEVER	0.2	20	90003-KCC-840	BOLT, ADPT.10MM	2
* CABLE COMP., CHOKE	0.6	21	90113-438-000	BOLT, HANDLE LEVER PIVOT	1
		22	90140-KAE-000	SCREW, PAN, 4 X 28	2
		23	90201-MW3-620	NUT, HEX., 10MM	2
		24	93892-05020-07	SCREW, WASHER, 5X20	1
		25	93892-05025-07	SCREW, WASHER, 5X25	1
		26	93892-05035-07	SCREW, WASHER, 5X35	1
		27	93892-05045-07	SCREW, WASHER, 5X45	1
		28	94050-06000	NUT, FLANGE, 6 MM	1
		29	94101-04800	WASHER, PLAIN,4MM	2
		30	96001-06022-07	BOLT, FLANGE, SH.6X22	2

F-3A
FRONT BRAKE MASTER CYL



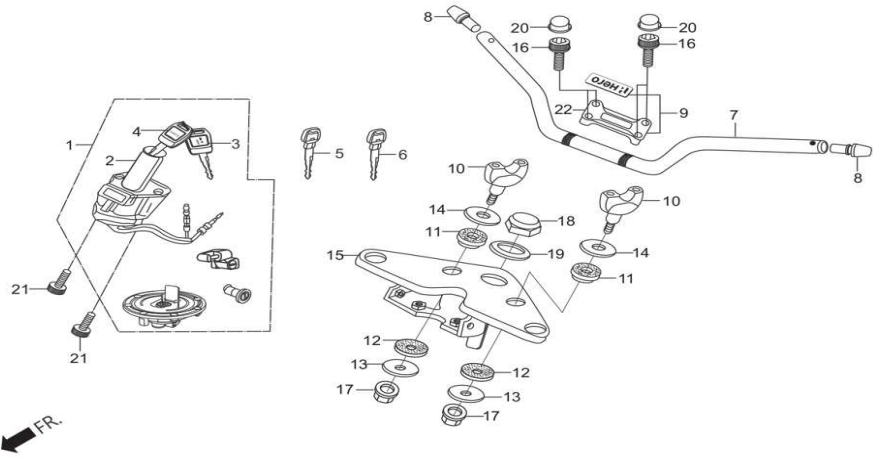
Service Item	F.R.T.	Group Number: F-3A Model :: HUNK (Feb, 2016) EURO III			
		Ref No.	Part Number	Description	Req.
DIAPHRAGM	0.1	1	35340-KCC-841	SW. ASSY. FR. STOP.	1
LEVER, R. STEERING HANDLE	--	2	45126-KVE-900	HOSE ASSY., FR. BRK	1
SWITCH ASSY., FR. STOP	0.1	3	45155-KTN-710	CLAMPER, A FR. BRK. HOSE	1
M/C, SUB ASSY., FR. BRK.	0.4	4	45156-KVE-900	CLAMPER, B FR. BRK. HOSE	1
HOSE COMP., FR. BRK	--	5	96001-06012-07	BOLT, FLANGE, SH., 6 X 12	1
		6	45504-KCC-841	BOOT COMP.	1
		7	45506-KCC-841	SPRING	1
		8	45510-KVN-901	M/C SUB ASSY, FR. BRK	1
		9	45513-KCC-841	CAP, MASTER CYLINDER	1
		10	45515-KVN-901	GAUGE COMP., LEVEL	1
		11	45516-KCC-841	O RING	1
		12	45517-KCC-841	HOLDER MASTER CYLINDER	1
		13	45518-KCC-841	SEPARATOR COMP.	1
		14	45519-KCC-841	SCREW FLAT	2
		15	45520-KCC-841	DIAPHRAGM	1
		16	45521-KCC-841	PLATE, DIAPHRAGM	1
		17	45522-KCC-841	CLIP, GAUGE	1
		18	45525-KCC-841	PUSH ROD	1
		19	45526-KCC-841	SPRING, PUSH ROD	1
		20	45530-KCC-841	CYLINDER SET MASTER	1

F-3A
FRONT BRAKE MASTER CYL



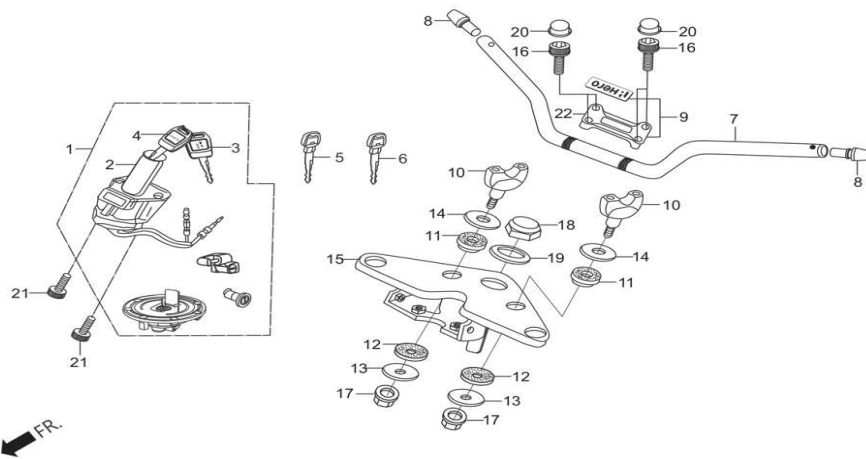
Service Item	F.R.T.	Group Number: F-3A Model :: HUNK (Feb, 2016) EURO III			
		Ref No.	Part Number	Description	Req.
DIAPHRAGM	0.1	21	53175-KSP-900	LEVER, R STRG. HANDLE	1
LEVER, R. STEERING HANDLE	--	22	90111-KCC-841	BOLT,FLANGE 6 X 25	2
SWITCH ASSY., FR. STOP	0.1	23	90112-KCC-841	SCREW,PAN,4X8	1
M/C, SUB ASSY., FR. BRK.	0.4	24	90114-KCC-841	BOLT, HANDLE LEVER	1
HOSE COMP., FR. BRK	--	25	90145-MS9-610	OIL BOLT, 10 X 22	2
		26	90303-KCC-841	NUT	1
		27	90545-300-000	WASHER ,OIL BOLT	4
		28	90651-KCC-841	CIRCLIP	1

F-4
HANDLE PIPE / TOP BRIDGE



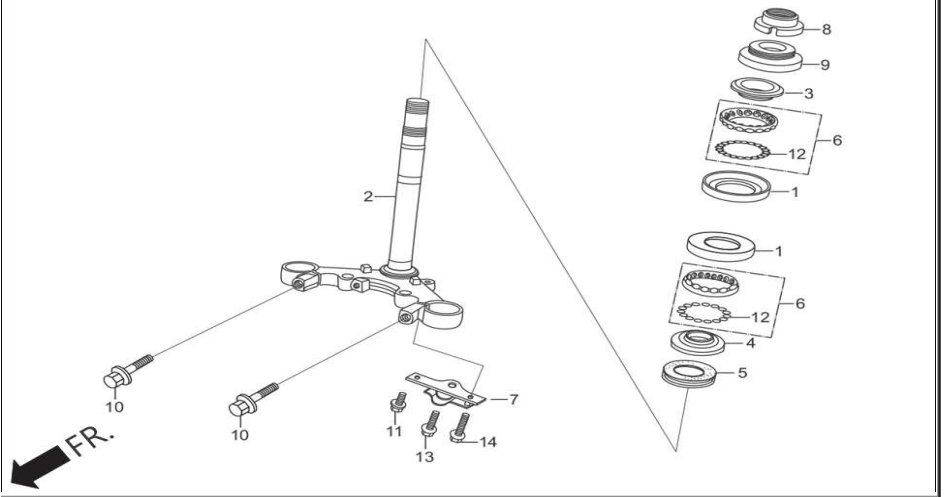
Service Item	F.R.T.	Group Number: F-4 Model :: HUNK (Feb, 2016) EURO III			
		Ref No.	Part Number	Description	Req.
* HOLDER, HANDLE UNDER (ADD 0.1 FOR EACH.)	0.2 --	1	35010-AAK-201	KEY, SET	1
* PIPE STRG. HANDLE	0.5	2	35100-AAK-201	SWITCH ASSY., COMB & LOCK	1
* BRIDGE COMP., FORK TOP	0.7	3	35113-KZJ-H00	EMBLEM ICON	1
* SWITCH ASSY., COMBINATION & LOCK	--	4	35114-KZJ-H00	EMBLEM,WORD MARK	1
* KEY SET	1.1	5	35121-KZJ-H00	BLANK KEY NO.1	1
		6	35122-KZJ-H00	BLANK KEY NO.2	1
		7	53100-KVE-930	PIPE STRG HANDLE	1
		8	53105-KRC-900	END STRG. HANDLE	2
		9	5313A-AAK-H70	HOLDER HANDLE UP.SUB ASSY.	1
		10	53132-124-000	HOLDER, HANDLE PIPE UNDER	2
		11	53133-198-900	RUBBER, HANDLE CUSHION UPPER	2
		12	53134-028-000	RUBBER, HANDLE CUSHION UNDER	2
		13	53135-198-900	WASHER, HANDLE CUSHION	2
		14	53136-198-900	PLATE, HANDLE CUSHION	2
		15	53230-KTN-700	BRIDGE COMP., FORK TOP	1
		16	90102-KVN-900	BOLT, SP. FLANGE SOCKET 6 X 22	4
		17	90304-GA6-000	NYLOCK, NUT, 10MM	2
		18	90304-KSP-900	NUT, STEERING STEM	1
		19	90503-KTR-900	WASHER, STEERING STEM	1
		20	91455-MG8-000	CAP, SOC BOLT 6 MM	4

F-4
HANDLE PIPE / TOP BRIDGE



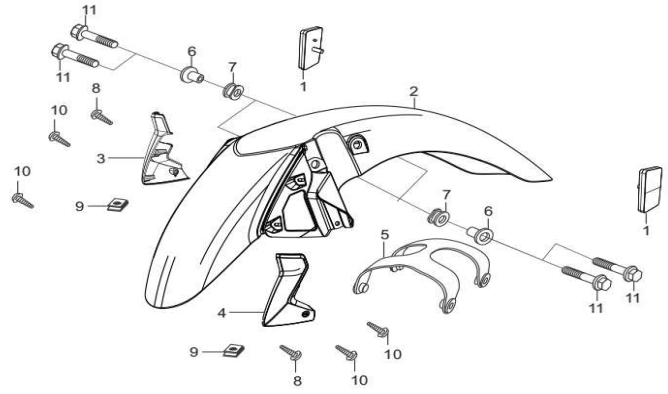
Service Item	F.R.T.	Group Number: F-4 Model :: HUNK (Feb, 2016) EURO III			
		Ref No.	Part Number	Description	Req.
* HOLDER, HANDLE UNDER (ADD 0.1 FOR EACH.)	0.2	21	96700-08020-00	BOLT SOCKET, 8 MM	2
* PIPE STRG. HANDLE	0.5	22	53131-KVN-900	HOLDER, HANDLE UP (CSM)	1
* BRIDGE COMP., FORK TOP	0.7				
* SWITCH ASSY., COMBINATION & LOCK	--				
* KEY SET	1.1				

F-5
STRG. STEM



Service Item	F.R.T.	Group Number: F-5 Model :: HUNK (Feb, 2016) EURO III			
		Ref No.	Part Number	Description	Req.
* RACE, STEERING BALL (SAME TIME FOR TWO UNITS)	1.0	1	50301-KTR-900	RACE, STEERING BALL	2
* STEM COMP., STEERING	--	2	53200-KTN-700	STEM COMP., STRG.	1
* RACE, STEERING TOP CONE	1.1	3	53211-268-010	RACE, STEERING TOP CONE	1
* RACE, STEERING BOTTOM CONE	0.6	4	53212-200-000	RACE, STEERING BOTTOM CONE	1
* THREAD, STRG. TOP	--	5	53214-200-000	DUST SEAL, STEERING HEAD	1
		6	53215-KTR-900	BALL, ASSY. STEERING	2
		7	53216-KVN-970	STAY, CLAMPER	1
		8	53221-KSP-900	THREAD, STRG., TOP	1
		9	53222-KRM-860	MUD GUARD, STRG., (HEAD TOP)	1
		10	95701-08035-07	BOLT, FLANGE, 8X35	2
		11	96001-06012-07	BOLT, FLANGE, SH., 6 X 12	1
		12	96211-08000	BALL STEEL 8 MM	16
		13	96700-06012-07	BOLT, SOCKET, 6 X 12	1
		14	96700-06020-07	BOLT, SOCKET, 6 X 20	1

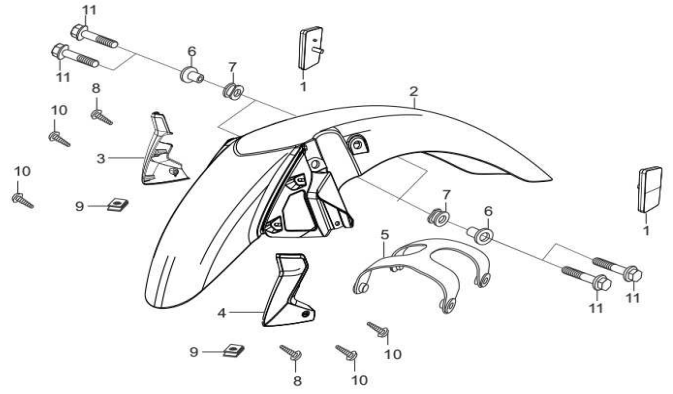
F-6
FRONT FENDER



Service Item	F.R.T.	Group Number: F-6 Model :: HUNK (Feb, 2016) EURO III			
Ref No.	Part Number	Description	Req.		
*FENDER FRONT	0.3				
1	33740-AAB-000	REFLEX REFLECTOR FRONT	2		
2	61100-KVN-970ZA	FENDER, FRONT(PANTHER BLACK ME, NH-B08M)	1		
	61100-AAK-100U	FENDER FRONT(MBK NH-105)	1		
	61100-KVN-970ZE	FENDER, FRONT(CANDY BLAZING RED, R-195C)	1		
	61100-KVN-970ZD	FENDER, FRONT(PEARL HARVEST GREEN, GY-136P)	1		
	61100-AAK-H70Y	FENDER FRONT(PFW,NH341P)	1		
3	61200-KVN-970ZA	COVER R, FR FENDER(PANTHER BLACK ME, NH-B08M)	1		
	61200-AAK-100U	COVER RFR FENDER(MBK NH-105)	1		
	61200-KVN-970ZE	COVER R, FR FENDER(CANDY BLAZING RED, R-195C)	1		
	61200-KVN-970ZD	COVER R, FR FENDER(PEARL HARVEST GREEN, GY-136P)	1		
	61200-AAK-H70Y	COV R, FR FENDER(PFW,NH341P)	1		
4	61300-KVN-970ZAH	COVER L, FR FENDER(PBME, NH-B08M)	1		
	61300-AAK-100U	COVER LFR FENDER(MBK NH-105)	1		
	61300-KVN-970ZE	COVER L, FR FENDER(CANDY BLAZING RED, R-195C)	1		
	61300-KVN-970ZDH	COVER L, FR FENDER(PHG, GY-136P)	1		
	61300-AAK-H70Y	COV L, FR FENDER(PFW,NH341P)	1		
5	61102-KVN-900	STAY, FR. FENDER	1		
6	61103-KRY-900	COLLAR, 'A' FR.FENDER	4		
7	61105-KTC-900	RUBBER, FRONT FENDER MOUNTING	4		
8	90106-KRY-970	SCREW,FAIRING B (5X11.5)	2		

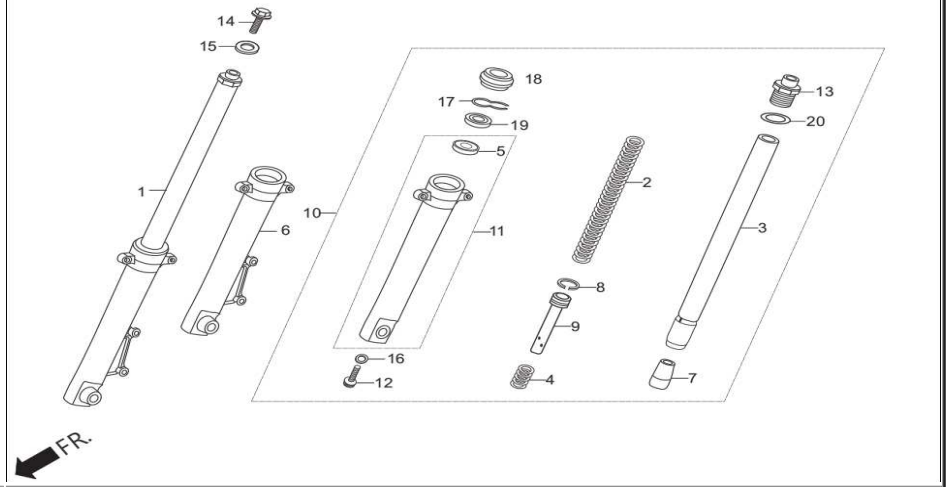
F-6
FRONT FENDER

FR.



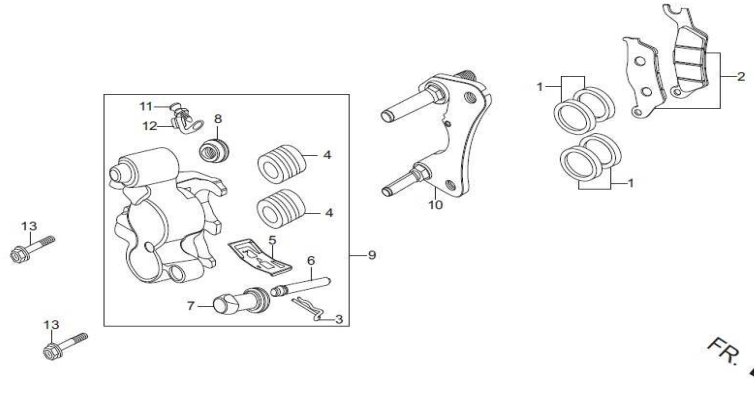
Service Item	F.R.T.	Group Number: F-6 Model :: HUNK (Feb, 2016) EURO III			
*FENDER FRONT	0.3	Ref No.	Part Number	Description	Req.
		9	90320-GC3-000	NUT, SPRING, M5	2
		10	93903-34320	SCREW TAPPING 4X12	4
		11	96001-06032-00	BOLT, FLANGE, SH., 6 X 32	4

F-7
FRONT FORK



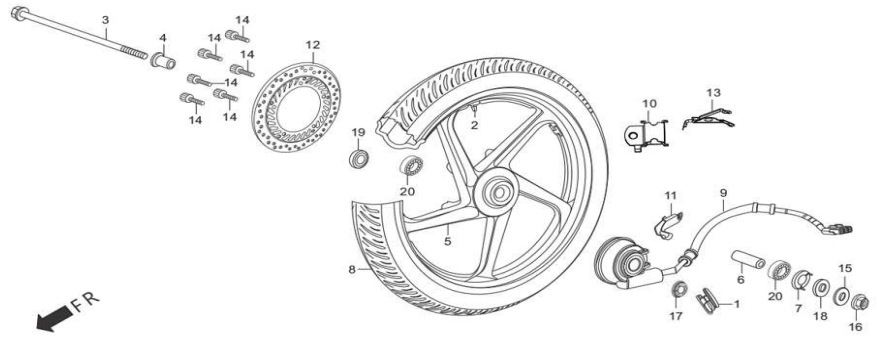
Service Item	F.R.T.	Group Number: F-7 Model :: HUNK (Feb, 2016) EURO III			
		Ref No.	Part Number	Description	Req.
* FORK ASSY., L. FR. (ADD 0.1 FOR EACH)	0.4 --	1	51400-AAK-100	FORK ASSY R FRONT	1
* FORK ASSY., R.	--	2	51401-KSP-901	SPRING, FRONT FORK	2
* SPRING, FR. FORK (ADD 0.3 FOR EACH)	0.6 --	3	51410-KVN-901	PIPE COMP., FR. FORK	2
* PIPE COMP., FR. FORK (ADD 0.4 FOR EACH)	--	4	51412-KSP-901	SPRING, REBOUND	2
* CASE COMP., L. FR BOTTOM (ADD 0.5 FOR EACH)	0.7 --	5	51412-KFN-851	SPRING, BACK UP	2
* CASE COMP., R FR BOTTOM (ADD 0.4 FOR EACH)	--	6	51420-AAB-000	CASE COMP R FR BOTTOM	1
* SEAL SET, FR. FORK (ADD 0.5 FOR EACH)	0.8 --	7	51432-KFN-851	PIECE, OIL LOCK	2
	--	8	51437-KVN-901	RING, PISTON	2
	--	9	51440-KVN-901	PIPE, SEAT	2
	--	10	51500-AAK-100	FORK ASSY L FRONT	1
	--	11	51520-AAB-000	CASE COMP L FR BOTTOM	1
	--	12	90116-KAG-900	BOLT, SOCKET, 8 MM	2
	--	13	90123-KSP-901	BOLT, `A` FRONT FORK	2
	--	14	90123-KRM-860	BOLT, FR. FORK	2
	--	15	90521-292-000	WASHER, PLAIN, 10.3 MM	2
	--	16	90544-KFN-851	WASHER, SPECIAL, 8MM	2
	--	17	90601-KFN-851	RING, OIL SEAL STOP	2
	--	18	91254-GAA-003R	SEAL, DUST	2
	--	19	91255-KRM-852	SEAL OIL 31X43X10.3	2
	--	20	91356-KAG-900	O - RING	2

F-8
CALIPER ASSY 'R' FR



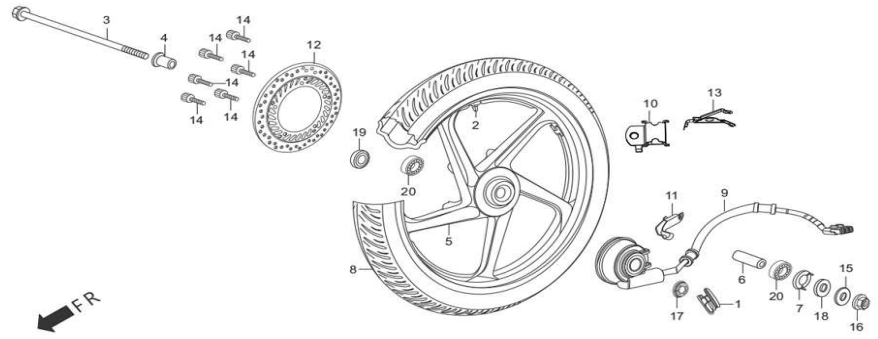
Service Item	F.R.T.	Group Number: F-8 Model :: HUNK (Feb, 2016) EURO III			
		Ref No.	Part Number	Description	Req.
* PAD SET, FRONT	0.2	1	06451-KCC-841	SEAL SET, PISTON	2
* PISTON, 26	0.5	2	06455-KCC-841	PAD SET, FRONT	1
(ADD. 0.1 FOR EACH)	--	3	43216-MAK-003	CLIP	1
(INC. RELATIVE PART)	--	4	45107-KCC-841	PISTON, 26	2
* CALIPER ASSY., R. FR	0.4	5	45108-KCC-841	PAD, SPRING	1
		6	45220-KCC-841	PIN COMP., HANGER	1
		7	45132-KCC-841	BUSH, BOOT PIN	1
		8	45133-KCC-841	BOOT, 'B'	1
		9	45250-KCC-841	CALIPER SUB ASSY., 'R' FR	1
		10	45290-KCC-841	BRKT. SUB ASSY., 'R' FR	1
		11	45352-KCC-841	SCREW, BLEEDER	1
		12	45353-KCC-841	CAP, BLEEDER	1
		13	90155-KSP-900	BOLT , FLANGE 8X25	2

F-9
FRONT WHEEL



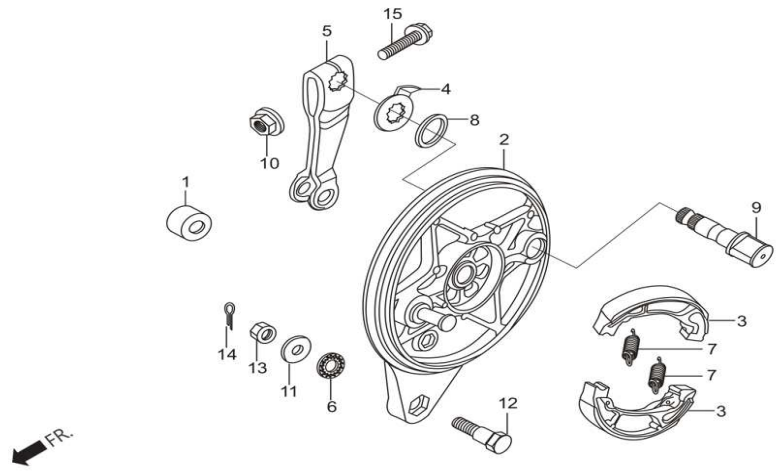
Service Item	F.R.T.	Group Number: F-9 Model :: HUNK (Feb, 2016) EURO III			
		Ref No.	Part Number	Description	Req.
* TUBE, TYRE (2.75-18)	0.9	1	42704-MCF-D60	WEIGHT, BALANCE 10	1
* TYRE, FR. (2.75-18-42P)	--			WEIGHT, BALANCE 20	1
* AXLE, FR. WHEEL	0.3		42705-MER-D00	WEIGHT, BALANCE 30	1
* COLLAR, FRONT DISTANCE	0.4		42706-MCF-D60	RIM, VALVE	1
* GEAR BOX ASSY., SPDMT	0.3	2	42753-KWF-901	AXLE, FRONT WHEEL	1
* DISC. FR. BRAKE	--	3	44301-KSP-900	COLLAR, FR. WHEEL SIDE	1
* BEARING, RADIAL BALL	--	4	44311-KRC-900	WHEEL FR	1
(ADD. 0.1 FOR EACH)	--	5	44601-AAK-H71	COLLAR, FRONT DISTANCE	1
		6	44620-400-000	RETAINER, GEAR BOX	1
		7	44680-KSP-B00	TYRE, FR	1
		8	44711-KRY-971	SENSOR ASSY, SPEED	1
		9	44800-KVN-971	CLAMPER B, SPDMT CORD	1
		10	44818-KSP-B00	CLAMPER, SP SENSOR	1
		11	45164-KVN-970	DISC, FR. BRAKE	1
		12	45251-KSP-861	STAY, CLAMPER	1
		13	53216-KVN-970	BOLT, FR. DISK, 8 X 24	6
		14	90105-KL8-741	WASHER, SPL., 12 MM	2
		15	90183-KTC-900	NUT, CASTLE, 12 MM	1
		16	90306-KST-942	OIL SEAL, 21 X 37 X 7	1
		17	90755-229-000	DUST SEAL, 21 X 37 X 7	1
		18	91251-KPH-901		1

F-9
FRONT WHEEL



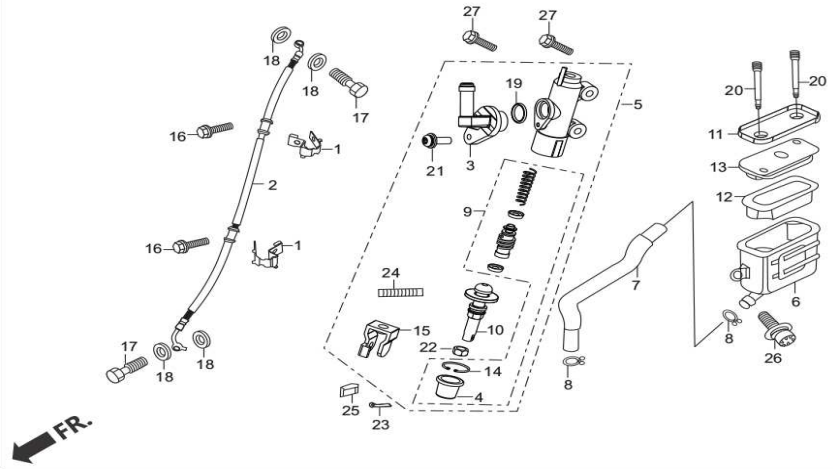
Service Item	F.R.T.	Group Number: F-9 Model :: HUNK (Feb, 2016) EURO III			
		Ref No.	Part Number	Description	Req.
* TUBE, TYRE (2.75-18)	0.9				
* TYRE, FR. (2.75-18-42P)	--	19	91258-KEJ-900	DUST SEAL, 40 X 50 X 5	1
* AXLE, FR. WHEEL	0.3	20	96150-63010-10	BEARING, BALL RADIAL, 6301 (UU)	2
* COLLAR, FRONT DISTANCE	0.4				
* GEAR BOX ASSY., SPDMT	0.3				
* DISC. FR. BRAKE	--				
* BEARING, RADIAL BALL	--				
(ADD. 0.1 FOR EACH)	--				

F-10
REAR BRAKE PANEL



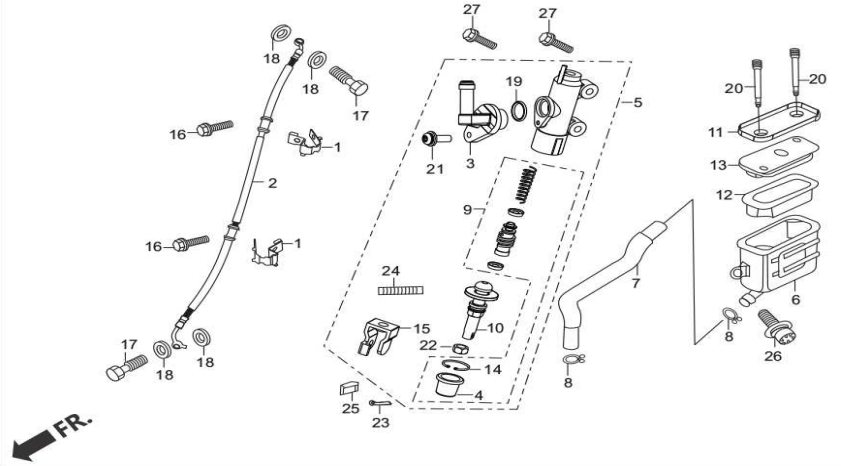
Service Item	F.R.T.	Group Number: F-10 Model :: HUNK (Feb, 2016) EURO III			
		Ref No.	Part Number	Description	Req.
* PANEL COMP., RR. BRAKE	0.5	1	42313-240-000	COLLAR, RR., BRAKE PANEL SIDE	1
* SHOE COMP., BRAKE (ONE OR ALL)	0.4	2	43100-KRY-930	PANEL COMP., RR. BRAKE	1
* ARM, RR. BRAKE	0.1	3	43125-KTN-701	SHOE COMP., BRAKE	2
(INC. RELATIVE PART)	--	4	43145-149-000	INDICATOR, RR. BRAKE	1
		5	43410-KRY-930	ARM, REAR BRAKE	1
		6	43434-ME1-670	RUBBER, STOPPER ARM	1
		7	45133-KCC-900	SPRING, FR. BRAKE SHOE	2
		8	45134-250-000	DUST SEAL, BRAKE CAM	1
		9	45141-KTC-900	CAM FR. BRAKE	1
		10	90301-473-000	NUT,'U' 6MM	1
		11	90505-425-000	WASHER, 8 MM	1
		12	92811-10000	BOLT 'A' BRAKE STOPPER	1
		13	94001-08000-0S	NUT, HEX., 8 MM	1
		14	94201-20150	PIN, SPLIT, 2.0 X 15	1
		15	95701-06035-00	BOLT, FLANGE, 6X35	1

F-10A-DISC
REAR BRAKE MASTER CYL.



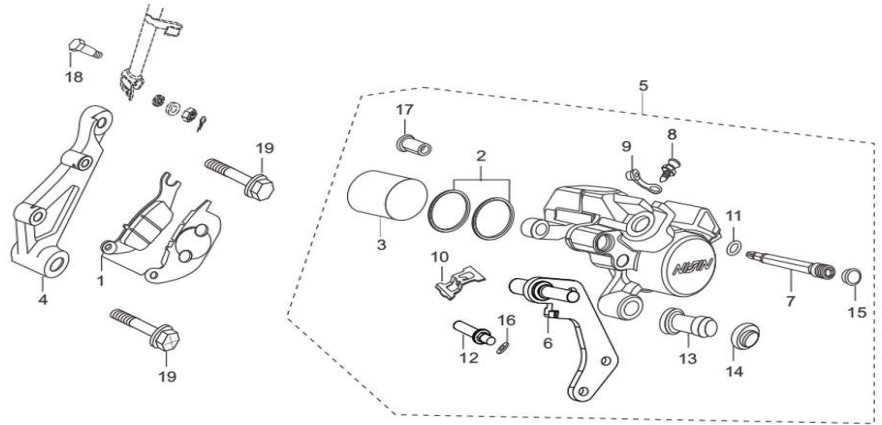
Service Item	F.R.T.	Group Number: F-10A-DISC Model :: HUNK (Feb, 2016) EURO III			
		Ref No.	Part Number	Description	Req.
* REAR BRAKE MASTER CYL	0.1	1	43155-KRY-970	CLAMPER RR BRAKE HOSE	2
* DIAPHRAGM	--	2	43310-AAK-100	HOSE COMP RR BRAKE	1
* HOSE COMP., REAR BRAKE	0.4	3	43503-MEE-006	CONNECTOR	1
* CYL. SUB ASSY., REAR BRAKE MASTER	--	4	43504-MB2-006	BOOT COMP.	1
* CYLINDER SET, MASTER	--	5	43510-KRY-971	M/C SUB ASSY REAR	1
		6	43511-KW7-881	OIL CUP COMP.	1
		7	43512-KVN-971	HOSE COMP,RR M/C	1
		8	43514-KS6-701	CLAMP. M/C OIL HOSE	2
		9	43520-MJ6-315	PISTON SET M/C	1
		10	43530-MV9-006	PUSH ROD COMP.	1
		11	45513-GW0-911	CAP M/C	1
		12	45520-GW0-911	DIAPHRAGM	1
		13	45521-GW0-911	PLATE DIAPHRAGM	1
		14	46182-MEL-D21	CIRCLIP	1
		15	46504-KV6-702	JOINT BRK ROD	1
		16	90103-MCS-G00	BOLT, FLANGE SH.6X12	2
		17	90145-MS9-610	OIL BOLT, 10 X 22	2
		18	90545-300-000	WASHER ,OIL BOLT	4
		19	91212-422-006	O RING	1
		20	93600-04045-1G	SCREW FLAT 4X45	2

F-10A-DISC
REAR BRAKE MASTER CYL.



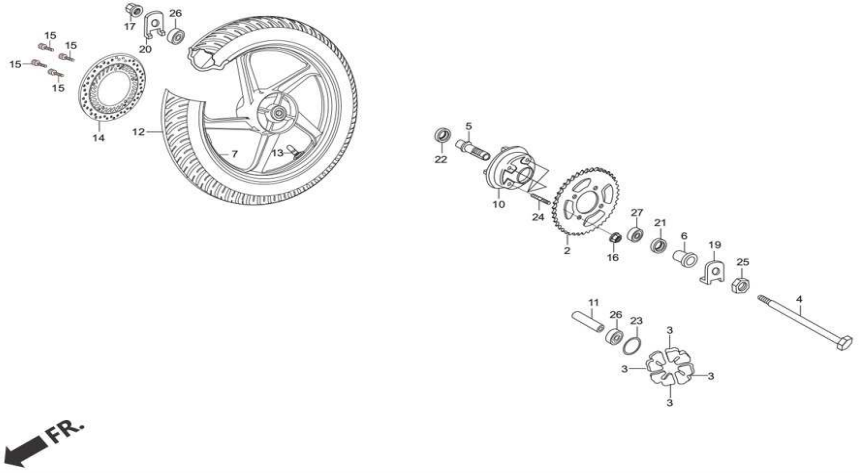
Service Item	F.R.T.	Group Number: F-10A-DISC Model :: HUNK (Feb, 2016) EURO III			
		Ref No.	Part Number	Description	Req.
* REAR BRAKE MASTER CYL	0.1				
* DIAPHRAGM	--	21	93893-04012-17L	SCREW WASHER 4X12	1
* HOSE COMP., REAR BRAKE	0.4	22	94002-08000-0S	NUT HEX.8 MM	1
* CYL. SUB ASSY., REAR BRAKE MASTER	--	23	94201-20150	PIN, SPLIT, 2.0 X 15	1
* CYLINDER SET, MASTER	--	24	94305-20102	PIN SPRING 2X10	1
		25	95015-54000	PIN D JOINT	1
		26	95701-06012-08	BOLT, FLANGE, 6 X 12	1
		27	95701-06022-08	BOLT FLANGE, 6 X 22	2

F-10B-DISC
CALIPER ASSY. REAR



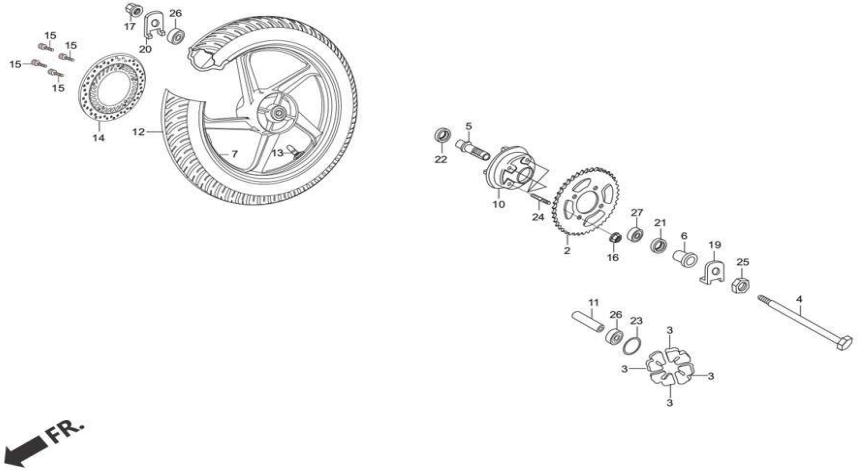
Service Item	F.R.T.	Group Number: F-10B-DISC Model :: HUNK (Feb, 2016) EURO III			
		Ref No.	Part Number	Description	Req.
* REAR BRAKE MASTER CYL.	0.1	1	06435-KRY-971	PAD SET, RR.	1
* DIAPHRAGM	--	2	06451-MA7-405	SEAL SET, PISTON	1
* HOSE COMP., REAR BRAKE	0.4	3	43107-MA7-006	PISTON	1
*MASTER CYLINDER SUB ASSY. FRONT BRAKE	--	4	43115-KVN-971	HOLDER RR CALIPER	1
* CYLINDER SET, MASTER	--	5	43150-KRY-972	CALIPER SUB ASSY. RR	1
		6	43190-KRY-971	BRKT SUB ASSY, RR.	1
		7	43215-KGH-901	PIN,HANGER	2
		8	43352-568-003L	SCREW BLEEDER	1
		9	43353-461-771L	CAP BLEEDER	1
		10	45108-KCC-841	PAD, SPRING	1
		11	45111-MAJ-G41	STOPPER RING	1
		12	45131-GE2-006L	PIN BOLT A	1
		13	45132-166-016L	BUSH BOOT PIN	1
		14	45133-MA3-006L	BOOT B	1
		15	45203-MCC-006	PLUG,PIN	1
		16	45216-166-006	WASHER, WAVE	1
		17	45216-KPP-861	TORQUE NUT	1
		18	90127-KRY-970	BOLT TORQUE LINK	1
		19	90155-KY4-900	BOLT, FLANGE, 8 X 25	2

F-11-DISC
REAR WHEEL



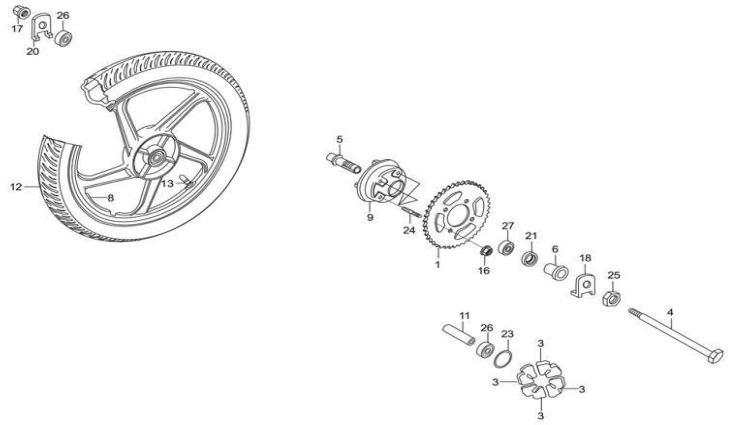
Service Item	F.R.T.	Group Number: F-11-DISC Model :: HUNK (Feb, 2016) EURO III			
		Ref No.	Part Number	Description	Req.
AXLE, RR. WHEEL	0.3	2	41201-KVN-970	SPROCKET,FINAL DRIVEN 43T	1
DAMPER SET, WHEEL	--	3	41241-KSP-900	DAMPER, RR WHEEL	4
BEARING, RADIAL BALL, 6302(U)	0.5	4	42301-KVE-900	AXLE,RR.WHEEL	1
(ADD 0.1 FOR EACH)	--	5	42303-KRY-931	SLEEVE, REAR WHEEL	1
COLLAR, RR. AXLE DIATANCE	--	6	42311-KVE-900	COLLAR, RR WHEEL SIDE	1
SLEEVE, RR. AXLE	--	7	42601-AAR-H71	WHEEL COMP RR	1
FLANGE FINAL DRIVEN	0.8	10	42611-KVN-970	FLANGE,FINAL DRIVEN	1
SPROCKET, FINAL DRIVEN (43T)	0.7	11	42620-KSP-900	COLLAR, REAR AXLE DISTANCE	1
BEARING, RADIAL BALL, 6005	0.7	12	42711-KRY-971	TYRE,RR	1
TYRE RR (100/90-18, 56P)	0.9	13	42753-KWF-901	RIM, VALVE	1
TUBE SET	--	14	43251-KVN-971	DISC,RR BRAKE	1
		15	90105-KL8-741	BOLT, FR.DISK, 8 X 24	4
		16	90304-KCS-920	NUT` U` 10 MM	4
		17	90305-KVN-900	NUT, FLG. PT. 14 MM	1
		19	90559-KRY-970	WASHER, L RR AXLE	1
		20	90560-KVN-970	WASHER R RR AXLE	1
		21	91253-KSP-901	DUST SEAL, 30 X 47 X 8	1
		22	91257-230-003	OIL SEAL 28X42X7	1
		23	91352-KSP-900	O RING, 51 X 2	1
		24	92915-10025-0E	BOLT, STUD II, 10X25	4

F-11-DISC
REAR WHEEL



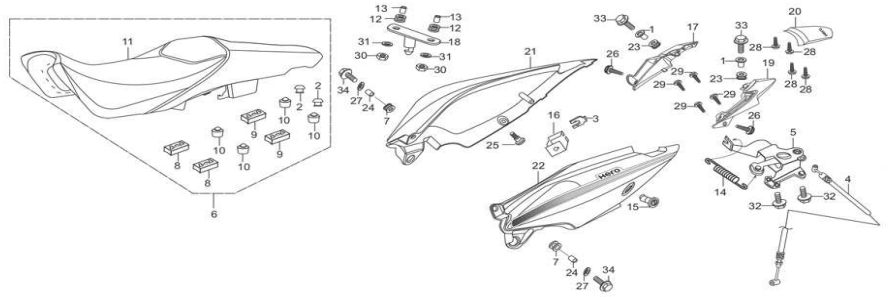
Service Item	F.R.T.	Group Number: F-11-DISC Model :: HUNK (Feb, 2016) EURO III			
		Ref No.	Part Number	Description	Req.
AXLE, RR. WHEEL	0.3				
DAMPER SET, WHEEL	--				
BEARING, RADIAL BALL, 6302(U)	0.5	25	95020-15100	NUT `E` STEM	1
(ADD 0.1 FOR EACH)	--	26	96140-63020-10	BRG., BALL RADIAL, 6302 (U)	2
COLLAR, RR. AXLE DIATANCE	--	27	96150-60050-10	BEARING, BALL RADIAL, 6005	1
SLEEVE, RR. AXLE	--				
FLANGE FINAL DRIVEN	0.8				
SPROCKET, FINAL DRIVEN (43T)	0.7				
BEARING, RADIAL BALL, 6005	0.7				
TYRE RR (100/90-18, 56P)	0.9				
TUBE SET	--				

F-11-DRUM
REAR WHEEL



Service Item	F.R.T.	Group Number: F-11-DRUM Model :: HUNK (Feb, 2016) EURO III			
		Ref No.	Part Number	Description	Req.
AXLE, RR. WHEEL	0.3	1	41201-KVE-900	SPROCKET, FINAL DRIVEN (43T)	1
DAMPER SET, WHEEL	--	3	41241-KSP-900	DAMPER, RR WHEEL	4
BEARING, RADIAL BALL, 6302(U)	0.5	4	42301-KVE-900	AXLE,RR.WHEEL	1
(ADD 0.1 FOR EACH)	--	5	42303-KRY-931	SLEEVE, REAR WHEEL	1
COLLAR, RR. AXLE DIATANCE	--	6	42311-KVE-900	COLLAR, RR WHEEL SIDE	1
SLEEVE, RR. AXLE	--	8	42601-AAK-H81	WHEEL COMP RR	1
FLANGE FINAL DRIVEN	0.8	9	42611-KRY-930	FLANGE, FINAL DRIVEN(NH-35M)	1
SPROCKET, FINAL DRIVEN (43T)	0.7	11	42620-KSP-900	COLLAR, REAR AXLE DISTANCE	1
BEARING, RADIAL BALL, 6005	0.7	12	42711-KRY-971	TYRE,RR	1
TYRE RR (100/90-18, 56P)	0.9	13	42753-KWF-901	RIM, VALVE	1
TUBE SET	--	16	90304-KCS-920	NUT `U' 10 MM	4
		17	90305-KVN-900	NUT, FLG. PT. 14 MM	1
		18	90559-KVN-900	WASHER, L. RR. AXLE	1
		20	90560-KVN-970	WASHER R RR AXLE	1
		21	91253-KSP-901	DUST SEAL, 30 X 47 X 8	1
		23	91352-KSP-900	O RING, 51 X 2	1
		24	92915-10025-0E	BOLT, STUD II, 10X25	4
		25	95020-15100	NUT `E' STEM	1
		26	96140-63020-10	BRG., BALL RADIAL, 6302 (U)	2
		27	96150-60050-10	BEARING, BALL RADIAL, 6005	1

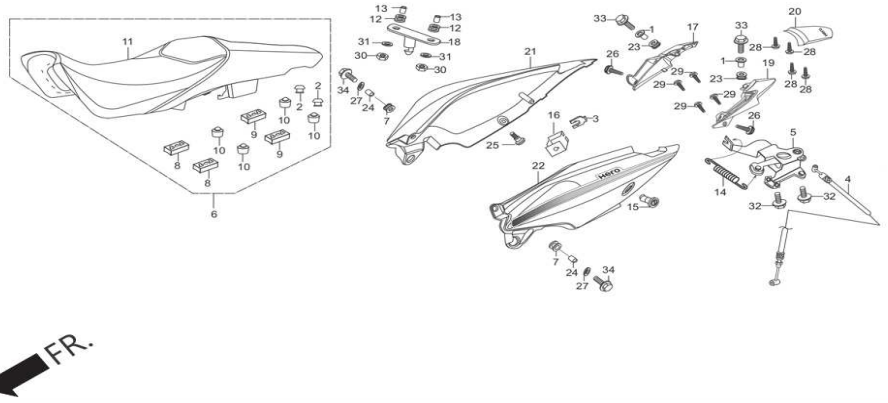
F-12
SEAT ASSY. /COWL



FR.

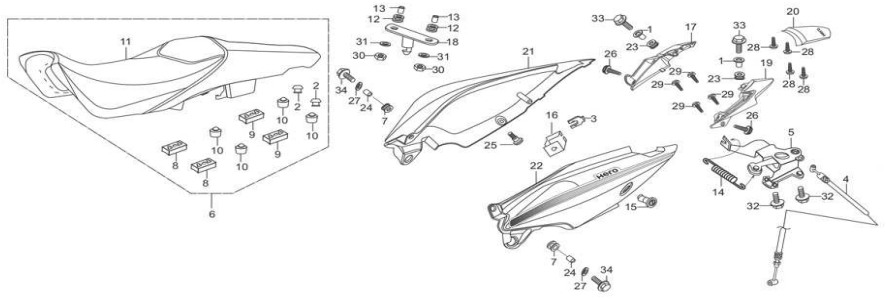
Service Item	F.R.T.	Group Number: F-12 Model :: HUNK (Feb, 2016) EURO III			
		Ref No.	Part Number	Description	Req.
* LOCK ASSY., SEAT	0.5	1	19052-KV0-000	COLLAR, RADIATOR MTG	2
* CABLE, SEAT LOCK	0.2	2	50354-428-000	STOPPER,RUBBER'B'	2
* COWL SET, R/L REAR (ADD 0.1 FOR EACH)	--	3	75582-KCW-870	SET SPG, LOCK KEY	1
* COWL SET, CENTER REAR	--	4	77156-KVN-970	CABLE,SEAT LOCK	1
* BRACKET COMP., SEAT LOCK	0.1	5	77160-KVN-970	BRKT COMP SEAT LOCK	1
		6	77200-KVN-900	SEAT, COMP, DOUBLE	1
		7	77202-KCC-900	RUBBER, SEAT MOUNTING	2
		8	77204-KCC-900	RUBBER, 'A' SEAT SETTING	2
		9	77205-KVE-900	RUBBER, 'B' SEAT SETTING	2
		10	77206-KFN-850	RUBBER SEAT CUSHION	4
		11	77208-KVN-900	COVER, SEAT ASSY.	1
		12	77228-GBG-850	RUBBER SEAT LOCK BAR	2
		13	77229-GBG-850	COLLER SEAT LOCK BAR	2
		14	77234-KVN-900	SPRING, SEAT LOCK	1
		15	77239-AAL-H00	KEY SEAT LOCK	1
		16	77244-KVN-900	STAY, SEAT LOCK CABLE	1
		17	77250-KVN-900	BASE R, REAR COWL (MBL)	1
		18	77260-KVE-900	BAR ASSY. SEAT LOCK	1
		19	77260-KVN-900H	BASE L, REAR COWL (MBL)	1
		20	77280-AAK-100	SET RR CENTRE COWL	1

F-12
SEAT ASSY. /COWL



Service Item	F.R.T.	Group Number: F-12 Model :: HUNK (Feb, 2016) EURO III			
		Ref No.	Part Number	Description	Req.
* LOCK ASSY., SEAT	0.5	21	77315-AAK-100R	SET R RR COWL(PNB NH-B08M)	1
* CABLE, SEAT LOCK	0.2		77315-AAK-100U	SET R RR COWL(MBK NH-105)	1
* COWL SET, R/L REAR	0.2		77315-AAK-100V	SET R RR COWL(CBR R-195C)	1
(ADD 0.1 FOR EACH)	--		77315-AAK-100X	SET R RR COWL(PHG GY-136P)	1
* COWL SET, CENTER REAR	--		77315-AAK-100Z	SET R RR COWL(PFW NH-341P)	1
* BRACKET COMP., SEAT LOCK	0.1	22	77325-AAK-100R	SET L RR COWL(PNB NH-B08M)	1
			77325-AAK-100U	SET L RR COWL(MBK NH-105)	1
			77325-AAK-100V	SET L RR COWL(CBR R-195C)	1
			77325-AAK-100X	SET L RR COWL(PHG GY-136P)	1
			77325-AAK-100Z	SET L RR COWL(PFW NH-341P)	1
		23	83545-KCJ-690	RUBBER, SIDE COVER	2
		24	84702-KCC-900	COLLAR, STAY NO. PLATE SET	2
		25	90101-087-720	SCREW, HEAD LIGHT SET	1
		26	90103-KVN-900	SCREW, PAN 5 X 13.5	2
		27	90563-355-000	WASHER, WHEEL, 6 MM	2
		28	93903-34380	SCREW, TAPPING, 4X12	4
		29	93903-35280	SCREW, TAPPING, 5 X 12	4
		30	94001-06090-0S	NUT, HEX, 6 MM	2
		31	94103-06700	WASHER, PLAIN, 6 MM	2
		32	95701-06018-08	BOLT, FLANGE, 6 X 18	2

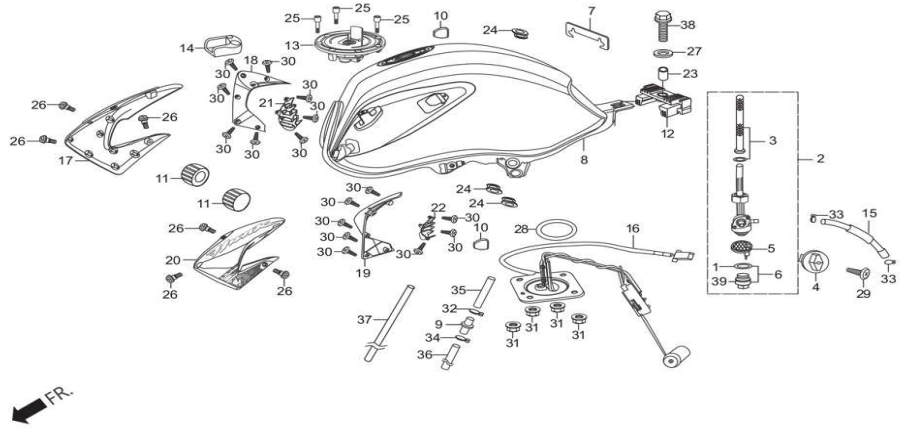
F-12
SEAT ASSY. /COWL



FR.

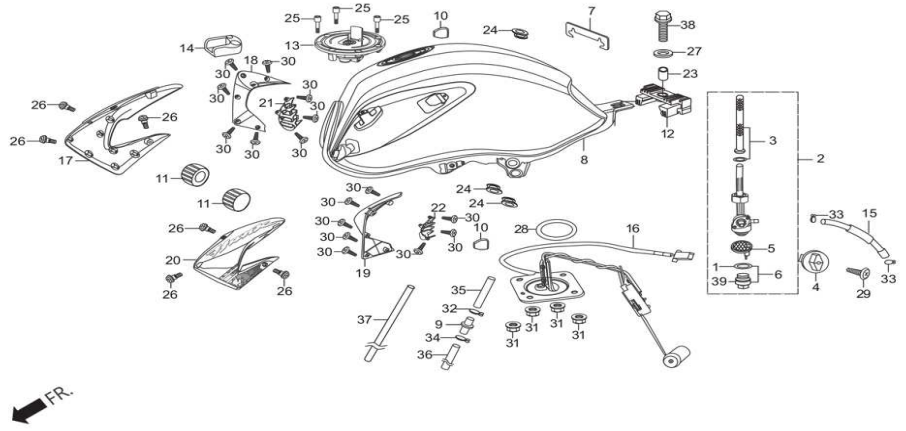
Service Item	F.R.T.	Group Number: F-12 Model :: HUNK (Feb, 2016) EURO III			
		Ref No.	Part Number	Description	Req.
* LOCK ASSY., SEAT	0.5				
* CABLE, SEAT LOCK	0.2				
* COWL SET, R/L REAR	0.2	34	95701-06022-00	BOLT, FLANGE, SH. 6 X 22	2
(ADD 0.1 FOR EACH)	--				
* COWL SET, CENTER REAR	--				
* BRACKET COMP., SEAT LOCK	0.1				

F-13
FUEL TANK



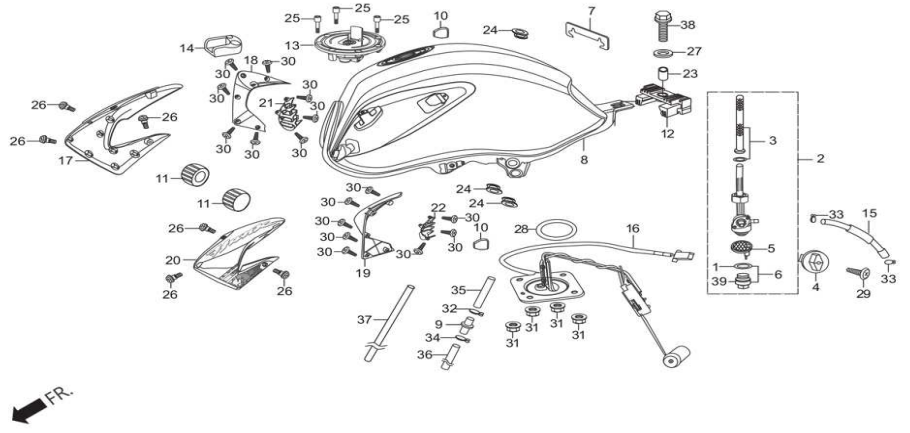
Service Item	F.R.T.	Group Number: F-13 Model :: HUNK (Feb, 2016) EURO III			
		Ref No.	Part Number	Description	Req.
*COCK ASSY., FUEL	0.2	1	16173-001-000	'O'- RING	1
*SCREEN, FUEL STRAINER	--	2	16950-AAK-200	COCK ASSY. FUEL	1
*TANK SET, FUEL	0.3	3	16952-KVN-900	SCREEN SET, FEUL STRAINER	1
*UNIT ASSY., FUEL	0.4	4	16955-AAK-200	LEVER, FUEL COCK	1
		5	16959-HB3-000	FILTER, CUP	1
		6	16953-GT4-305	CUP SET, FUEL STRAINER	1
		7	17509-KVN-900	FILM, TANK PROTECTOR	1
		8	17510-KVN-900ZE	TANK, COMP. FUEL (PANTHER BLACK METALLIC)	1
			17510-AAK-100U	TANK COMP., FUEL (MAT BLACK)	1
			17510-KVN-900W	TANK COMP FUEL(CBR,R-195C)	1
			17510-KVN-970U	TANK COMP FUEL(PHG,GY-136P)	1
			17510-AAK-H70Y	TANK COMP FUEL(PFW,NH-341P)	1
		9	17525-KVE-900	JOINT TUBE	1
		10	17529-KVN-900	RUBBER SHROUD MOUNT	2
		11	17611-KFN-850	CUSHION, FR. FUEL TANK	2
		12	17613-MV4-000	CUSHION, RR. FUEL TANK	1
		13	17620-AAK-H01	CAP COMP. FUEL FILLER	1
		14	17646-MN8-700	RUBBER SEAL BREATHER	1
		15	17681-KVN-900	TUBE, FUEL	1
		16	37800-KVN-901	UNIT, ASSY. FUEL	1

F-13
FUEL TANK



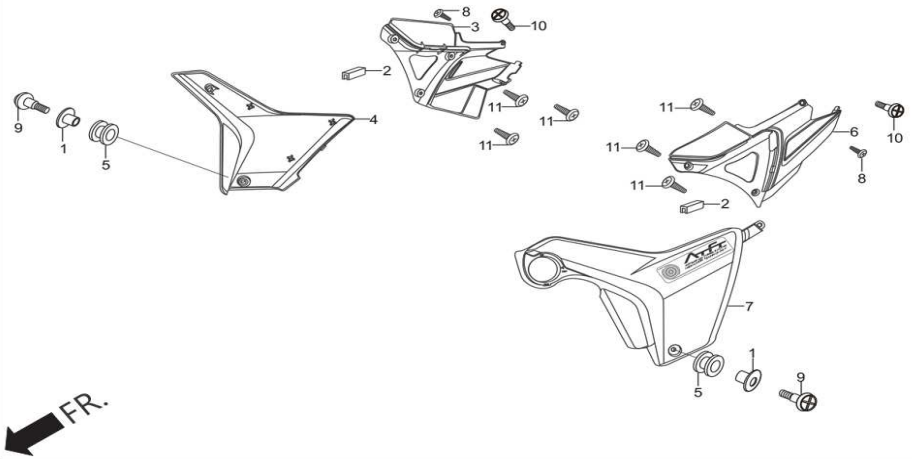
Service Item	F.R.T.	Group Number: F-13 Model :: HUNK (Feb, 2016) EURO III			
		Ref No.	Part Number	Description	Req.
*COCK ASSY., FUEL	0.2	17	50200-AAK-100R	SET R SHROUD(PNB NH-B08M)	1
*SCREEN, FUEL STRAINER	--		50200-AAK-100U	SET R SHROUD(MBK NH-105)	1
*TANK SET, FUEL	0.3		50200-AAK-100V	SET R SHROUD(CBR R-195C)	1
*UNIT ASSY., FUEL	0.4		50200-AAK-100X	SET R SHROUD(PHG GY-136P)	1
			50200-AAK-100Z	SET R SHROUD(PFW NH-341P)	1
		18	50265-KVN-900	SHROUD, R INNER	1
		19	50275-KVN-900H	SHROUD, L INNER	1
		20	50300-AAK-100R	SET L SHROUD(PNB NH-B08M)	1
			50300-AAK-100U	SET L SHROUD(MBK NH-105)	1
			50300-AAK-100V	SET L SHROUD(CBR R-195C)	1
			50300-AAK-100X	SET L SHROUD(PHG GY-136P)	1
			50300-AAK-100Z	SET L SHROUD(PFW NH-341P)	1
		21	64720-KVN-900	LOUVER, R	1
		22	64820-KVN-900	LOUVER, L	1
		23	80101-KVN-900	COLLAR, 8 X 12	1
		24	83551-300-000	GROMMET, AIR CLEANER CASE	3
		25	90074-KVE-900	BOLT SOCKET 4 X 21	3
		26	90108-KVN-900	BOLT, COWL SET	6
		27	90534-MV4-000	WASHER ,8.5X28	1
		28	91305-443-740	'O' RING, 39.5 X 5	1

F-13
FUEL TANK



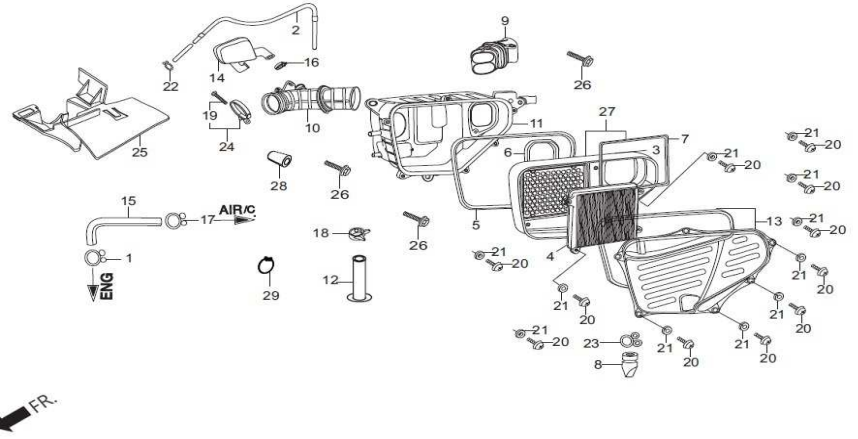
Service Item	F.R.T.	Group Number: F-13 Model :: HUNK (Feb, 2016) EURO III			
		Ref No.	Part Number	Description	Req.
*COCK ASSY., FUEL	0.2	29	93500-04025-0G	SCREW, PAN, 4X25	1
*SCREEN, FUEL STRAINER	--	30	93903-34380	SCREW, TAPPING, 4X12	16
*TANK SET, FUEL	0.3	31	94050-06000	NUT, FLANGE, 6 MM	4
*UNIT ASSY., FUEL	0.4	32	95002-02080	CLIP, TUBE	1
		33	95002-02100	CLIP, B-10 TUBE	2
		34	95002-02130	CLIP B 12.5 TUBE	1
		35	95005-45470-20	TUBE, BREATHER 4.5 X 470	1
		36	95005-80350-20	TUBE, FUEL 8 X 350	1
		37	95005-80800-20	TUBE, 8 X 800	1
		38	95701-08025-08	BOLT, FLANGE, 8X25	1
		39	16967-MA2-770	CUP, FUEL STRAINER	1

F-14
SIDE COVER



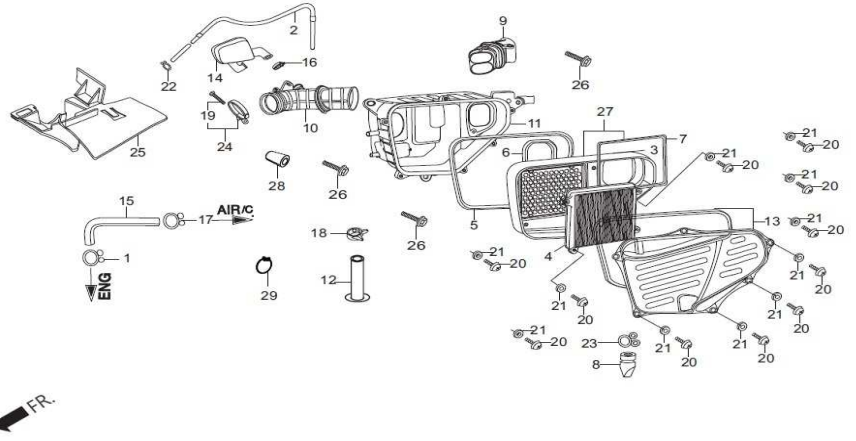
Service Item	F.R.T.	Group Number: F-14 Model :: HUNK (Feb, 2016) EURO III			
		Ref No.	Part Number	Description	Req.
*SET, RIGHT SIDE COVER	0.1	1	19052-KV0-000	COLLAR, RADIATOR MTG	2
*SET, LEFT SIDE COVER	0.1	2	77231-KVE-900	CUSHION COWL CENTER A.	2
* COVER, B, 'R' SIDE	--	3	83550-KVN-970R	COVER B R SIDE (PANTHER BLACK ME. (NH-B08M))	1
* COVER B, 'L' SIDE	--		83550-AAK-100U	COVER B R SIDE(MBK NH-105)	1
			83550-KVN-970V	COVER B R SIDE (CANDY BLAZING RED (R-195C))	1
			83550-KVN-970U	COVER B R SIDE (PEARL HARVEST GREEN (GY-136P))	1
			83550-AAK-H70Y	COVER B R SIDE (PFW, NH-341P)	1
		4	83520-AAK-100	SET R SIDE COVER A	1
		5	83545-KVN-900	RUBBER, SIDE COVER	2
		6	83650-KVN-970R	COVER B L SIDE (PANTHER BLACK ME. (NH-B08M))	1
			83650-AAK-100U	COVER B L SIDE(MBK NH-105)	1
			83650-KVN-970V	COVER B L SIDE (CANDY BLAZING RED (R-195C))	1
			83650-KVN-970U	COVER B L SIDE (PEARL HARVEST GREEN (GY-136P))	1
			83650-AAK-H70Y	COVER B L SIDE(PFW NH-341P)	1
		7	83620-AAK-100	SET L SIDE COVER A	1
		8	90101-087-720	SCREW, HEAD LIGHT SET	2
		9	90105-KVN-900	BOLT, SPECIAL 6 X 22	2
		10	90106-KVN-900	SCREW, PAN 5 X 18.5	2
		11	93903-34380	SCREW, TAPPING, 4X12	6

F-15
AIR CLEANER



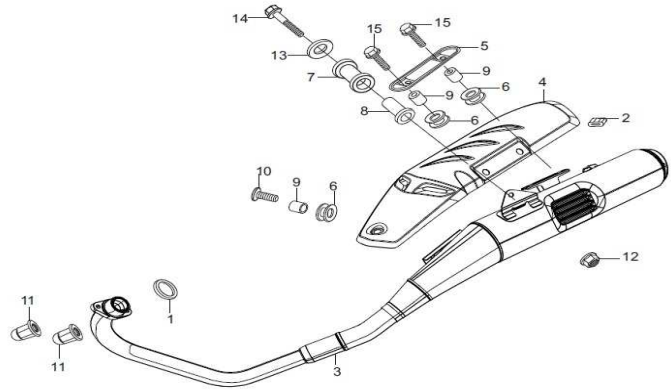
Service Item	F.R.T.	Group Number: F-15 Model :: HUNK (Feb, 2016) EURO III			
		Ref No.	Part Number	Description	Req.
* ELEMENT COMP., AIR CLEANER	0.1	1	15772-KTN-900	CLIP BREATHER TUBE	1
* COVER, SUB ASSY., AIR CLEANER	0.6	2	16199-KVE-930	TUBE, AIR VENT	1
* RESONATOR	0.2	3	17208-KVE-900	HOLDER COMP., ELEMENT	1
* CASE SUB. ASSY., AIR CLEANER	0.7	4	17211-AAB-100	ELEMENT COMP AIR/C	1
* HOLDER SUB ASSY., AIR CLEANER .	--	5	17213-KRY-900	SEAL 'A' AIR CLEANER	2
		6	17214-KRY-900	SEAL 'B' AIR CLEANER	1
		7	17215-KTN-700	SEAL, HOLDER	1
		8	17216-KVN-900	TUBE, DRAIN	1
		9	17219-KVE-900	DUCT, AIR CLEANER	1
		10	17222-KVE-900	TUBE, AIR/C CONN.	1
		11	17225-KVN-900	CASE, SUB ASSY., AIR/C	1
		12	17234-KS4-770	TUBE, AIR CLEANER DRAIN	1
		13	17245-KVN-900	COVER, SUB ASSY. AIR/C	1
		14	17311-KRC-910	RESONATOR	1
		15	17371-KTN-700	TUBE BREATHER A	1
		16	19509-GE2-003	CLAMP, D19 TUBE	1
		17	90651-MK3-780	CLIP, 'B' 12.5 TUBE	1
		18	91406-KFN-850	CLAMP, D14.5 TUBE	1
		19	93500-04032-0G	SCREW, PAN, 4 X 32	1
		20	93500-05016-1H	SCREW, PAN, 5 X 16	11

F-15
AIR CLEANER



Service Item	F.R.T.	Group Number: F-15 Model :: HUNK (Feb, 2016) EURO III			
		Ref No.	Part Number	Description	Req.
* ELEMENT COMP., AIR CLEANER	0.1	21	94101-05000	WASHER , PLAIN, 5MM	11
* COVER, SUB ASSY., AIR CLEANER	0.6	22	95002-70000	CLIP, C11 TUBE	1
* RESONATOR	0.2	23	95002-80000	CLIP,C12 TUBE	1
* CASE SUB. ASSY., AIR CLEANER	0.7	24	95018-54320	BAND54, AIR/C CONN. TUBE	1
* HOLDER SUB ASSY., AIR CLEANER .	--	25	17234-KVN-900	COVER, AIR CLEANER DUCT	1
		26	90111-187-000	BOLT, FLANGE. 6 MM	3
		27	17235-KVE-900	HOLDER SUB ASSY. AIR CLEANER	1
		28	18651-AAM-100	PLUG AIR/C	1
		29	17369-AAM-100	CLIP BREATHER TUBE	1

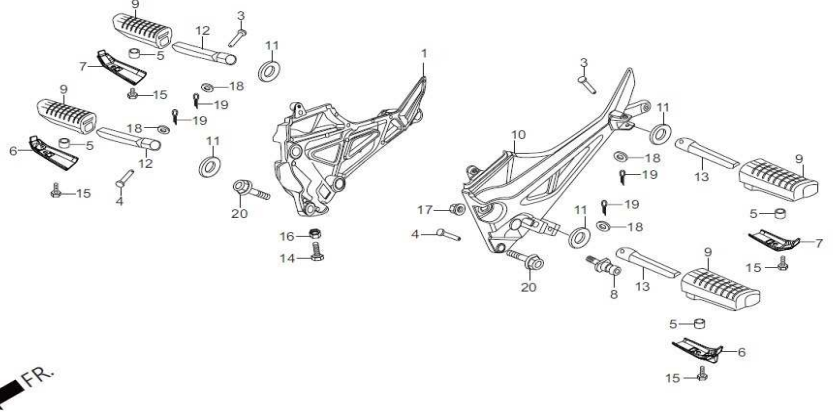
F-16
MUFFLER EXHAUST



FR.

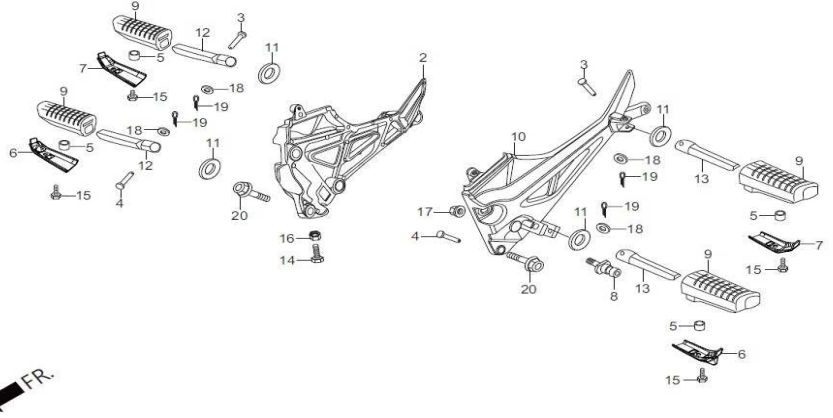
Service Item	F.R.T.	Group Number: F-16 Model :: HUNK (Feb, 2016) EURO III			
		Ref No.	Part Number	Description	Req.
* COVER-B COMP., MUFFLER	0.1	1	18291-KRY-930	GASKET, EXHAUST PIPE	1
* MUFFLER COMP., EXHAUST	0.3	2	18293-KPK-900	RUBBER, PKG. PROTECTOR	1
		3	18300-AAK-201	MUFFLER, COMP. EXH.	1
		4	18311-KVN-970	COVER,MUFFLER	1
		5	18317-KVN-900	PROTECTOR, MUFF	1
		6	18345-MBT-610	RUBBER, PROTECTOR, MOUNT	3
		7	18421-438-670	RUBBER, MUFFLER MOUNT	1
		8	18442-KRC-900	COLLAR, MUFFLER MOUNT	1
		9	33619-459-840	COLLAR, WINKER STAY	3
		10	90107-KST-940	SCREW MUFF. PROTECTOR MOUNT	1
		11	90305-KSP-900	NUT, 8MM EXP.	2
		12	94050-10070	NUT,FLANGE,10MM	1
		13	94103-10000	WASHER, PLAIN, 10MM	1
		14	95801-10055-00	BOLT, FLANGE, 10X55	1
		15	96001-06014-02	BOLT, FLANGE SH. 6 X 14	2

F-17-DISC
STEP PILLION



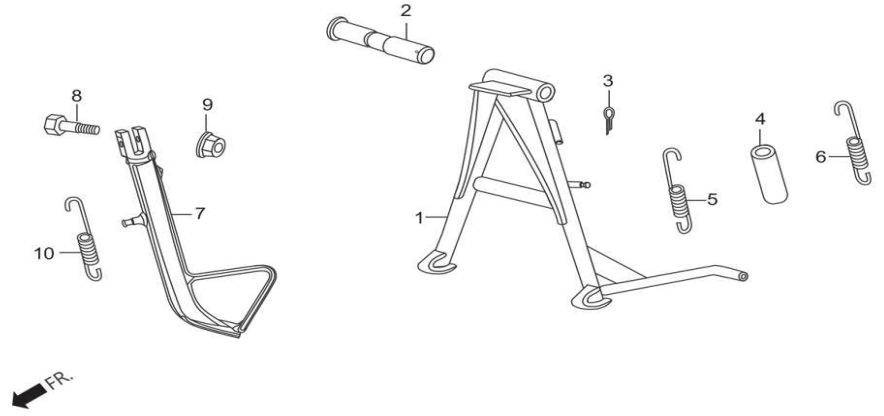
Service Item	F.R.T.	Group Number: F-17-DISC Model :: HUNK (Feb, 2016) EURO III			
		Ref No.	Part Number	Description	Req.
* BAR COMP., STEP	0.4	1	50600-KVN-970	HOLDER,R STEP	1
* BAR COMP., STEP	0.4	3	50603-KFN-850	PIN, STEP BAR JOINT	2
* BAR R., MAIN STEP	0.1	4	50603-KVE-900	PIN, STEP BAR JOINT	2
*BAR 'R' MAIN STEP (INC. RELATIVE PART)	0.1	5	50618-KE8-000	COLLAR, 6,5 X 11 X 3	4
(INC. RELATIVE PART)	--	6	50619-KFN-850	PLATE, STEP LOWER	2
* BAR L., MAIN STEP	0.1	7	50619-KTN-700	PLATE, STEP LOWER	2
*BAR 'L' MAIN STEP (INC. RELATIVE PART)	0.1	8	50643-KCT-690	PIVOT,CHANGE PEDAL	1
(INC. RELATIVE PART)	--	9	50661-KVN-900	RUBBER, M STEP	4
(INC. RELATIVE PART)	--	10	50700-KVN-900Z	HOLDER, 'L' STEP(MGM)	1
* BRKT. COMP., R. PILLION STEP	0.5	11	50715-KVN-900	WASHER P. STEP	4
* BRKT. COMP., R. PILLION STEP	0.5	12	50717-KFN-850	BAR 'R' PILLION STEP	2
* BRKT. L., PILLION STEP	0.2	13	50718-KFN-850	BAR 'L' PILLION STEP	2
* BRKT. L., PILLION STEP	0.2	14	90001-KFN-850	BOLT,PEDAL BRAKE STOPPER	1
		15	92101-06012-0G	BOLT, HEX 6 X 12	4
		16	94001-06090-0S	NUT, HEX, 6 MM	1
		17	94050-08080	NUT,FLANGE,8 MM	1
		18	94102-08000	WASHER, PLAIN, 8MM	4
		19	94201-20150	PIN, SPLIT, 2.0 X 15	4
		20	95701-10025-00	BOLT, FLANGE, 10 X 25	2

F-17-DRUM
STEP PILLION



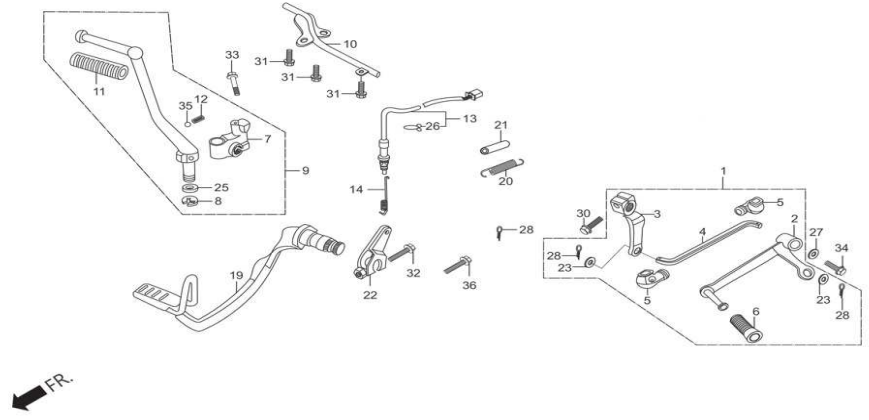
Service Item	F.R.T.	Group Number: F-17-DRUM Model :: HUNK (Feb, 2016) EURO III			
		Ref No.	Part Number	Description	Req.
* BAR COMP., STEP	0.4	2	50600-KVN-900Z	HOLDER, 'R' STEP(MGM)	1
* BAR COMP., STEP	0.4	3	50603-KFN-850	PIN, STEP BAR JOINT	2
* BAR R., MAIN STEP	0.1	4	50603-KVE-900	PIN, STEP BAR JOINT	2
*BAR 'R' MAIN STEP (INC. RELATIVE PART)	0.1	5	50618-KE8-000	COLLAR, 6,5 X 11 X 3	4
(INC. RELATIVE PART)	--	6	50619-KFN-850	PLATE, STEP LOWER	2
* BAR L., MAIN STEP	0.1	7	50619-KTN-700	PLATE, STEP LOWER	2
*BAR 'L' MAIN STEP (INC. RELATIVE PART)	0.1	8	50643-KCT-690	PIVOT,CHANGE PEDAL	1
(INC. RELATIVE PART)	--	9	50661-KVN-900	RUBBER, M STEP	4
(INC. RELATIVE PART)	--	10	50700-KVN-900Z	HOLDER, 'L' STEP(MGM)	1
* BRKT. COMP., R. PILLION STEP	0.5	11	50715-KVN-900	WASHER P. STEP	4
* BRKT. COMP., R. PILLION STEP	0.5	12	50717-KFN-850	BAR 'R' PILLION STEP	2
* BRKT. L., PILLION STEP	0.2	13	50718-KFN-850	BAR 'L' PILLION STEP	2
* BRKT. L., PILLION STEP	0.2	14	90001-KFN-850	BOLT,PEDAL BRAKE STOPPER	1
		15	92101-06012-0G	BOLT, HEX 6 X 12	4
		16	94001-06090-0S	NUT, HEX, 6 MM	1
		17	94050-08080	NUT,FLANGE,8 MM	1
		18	94102-08000	WASHER, PLAIN, 8MM	4
		19	94201-20150	PIN, SPLIT, 2.0 X 15	4
		20	95701-10025-00	BOLT, FLANGE, 10 X 25	2

F-18A
MAIN STAND/SIDE STAND



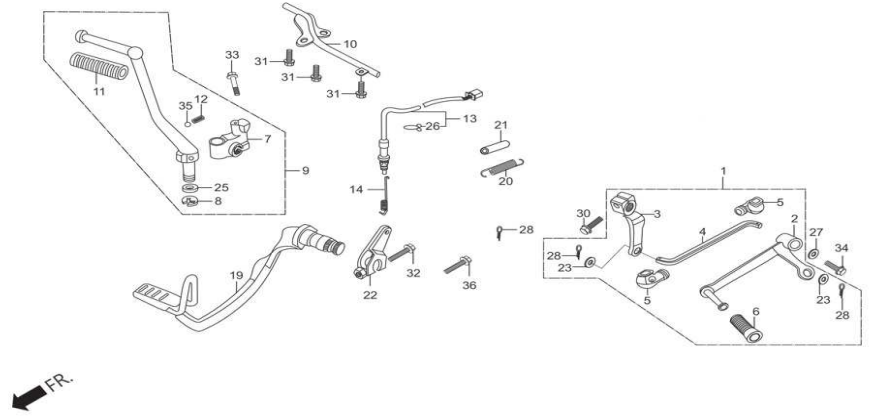
Service Item	F.R.T.	Group Number: F-18A Model :: HUNK (Feb, 2016) EURO III			
		Ref No.	Part Number	Description	Req.
* STAND COMP., MAIN	0.5	1	50500-KVE-930	STAND COMP. MAIN	1
* BAR COMP., SIDE STAND	0.2	7	50530-KVE-900	BAR COMP., SIDE STAND	1
* SPRING G., MAIN STAND	--	2	50526-KCT-690	SHAFT, MAIN STAND PIVOT	1
* SPRING, SIDE STAND	0.1	3	94201-30300	PIN, SPLIT 3 X 30MM	1
		4	50507-AAB-400	TUBE MAIN STAND SPRING 1	1
		5	50508-AAB-400	SPRING MAIN STAND 1	1
		6	50509-AAB-400	SPRING MAIN STAND 2	1
		8	90107-GN1-010	SCREW SIDE STAND PIVOT	1
		9	90304-KFN-850	NUT 'U' 10 MM	1
		10	95014-72102	SPRING, SIDE STAND	1

F-18-DISC
GEAR CHANGE PEDAL/KICK STARTER /PEDAL BRAKE



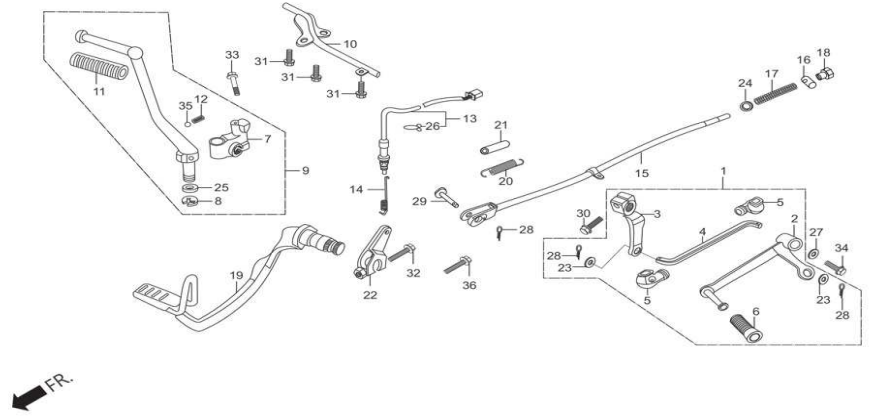
Service Item	F.R.T.	Group Number: F-18-DISC Model :: HUNK (Feb, 2016) EURO III			
		Ref No.	Part Number	Description	Req.
* PEDAL ASSY., GEAR CHANGE	0.1	1	24700-KVE-900	PEDAL ASSY. GEAR CHANGE	1
* ARM ASSY., KICK STARTER	--				
* JOINT, KICK ARM	0.2	2	24701-KVE-900	PEDAL, GEAR CHANGE	1
* STOPPER, KICK ARM	0.3	3	24711-KVE-900	ARM, GEAR CHANGE PEDAL	1
* SWITCH ASSY., RR. STOP	0.2	4	24720-KFN-850	TIE, ROD	1
* ROD COMP., RR. BRAKE	0.3	5	24721-GS3-000	COVER, CHANGE PEDAL	2
* PEDAL, BRAKE	0.5	6	24781-KR3-770	RUBBER, CHANGE PEDAL	1
		7	28241-AAK-H00	JOINT KICK ARM	1
		8	28293-333-000	CLIP, KICK STARTER ARM	1
		9	28300-AAK-H00	ARM ASSY KICK STARTER	1
		10	28307-AAK-H60	STOPPER KICK ARM	1
		11	28311-KC5-000	STARTER RUBBER, KICK	1
		12	28333-KK0-000	SPRING, KICK STARTER ARM SET	1
		13	35350-KFN-850	SW.ASSY.RR.STOP	1
		14	35357-KVN-970	SPG, STOP SW	1
		19	46500-KVN-970	PEDAL, BRAKE	1
		20	46514-KN5-670	SPG. BRAKE PEDAL	1
		21	46515-KB9-000	TUBE , BRAKE PEDAL SPRING	1
		22	46515-KVN-970	ARM COMP, MIDDLE	1
		23	90502-155-000	WASHER, PLAIN, 7MM	2
		25	90505-KRM-860	WASHER, 15.5 X 22	1

F-18-DISC
 GEAR CHANGE PEDAL/KICK STARTER /PEDAL BRAKE



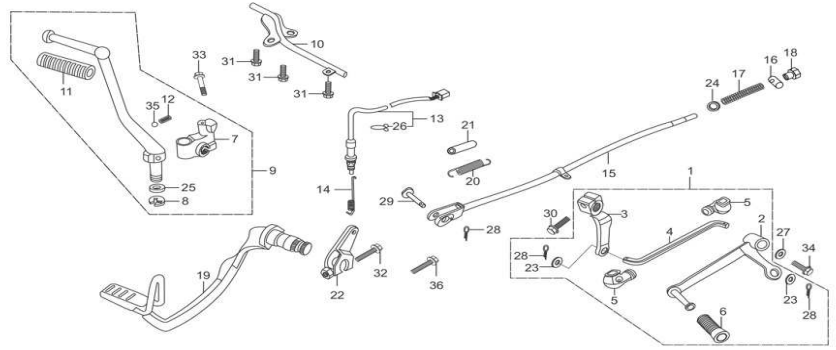
Service Item	F.R.T.	Group Number: F-18-DISC Model :: HUNK (Feb, 2016) EURO III			
		Ref No.	Part Number	Description	Req.
* PEDAL ASSY., GEAR CHANGE	0.1	26	90601-KAF-003	CLIP, SW. COVER	1
* ARM ASSY., KICK STARTER	--	27	94103-06000	WASHER PLAIN,6MM	1
* JOINT, KICK ARM	0.2	28	94201-20150	PIN, SPLIT, 2.0 X 15	3
* STOPPER, KICK ARM	0.3	30	95701-06020-00	BOLT, FLANGE, 6X20	1
* SWITCH ASSY., RR. STOP	0.2	31	95701-08020-00	BOLT, FLANGE, 8X20	3
* ROD COMP., RR. BRAKE	0.3	32	95701-08040-07	BOLT FLANGE,8 X 40	1
* PEDAL, BRAKE	0.5	33	95801-08090-00	BOLT FLANGE 8X90	1
		34	96001-06012-00	BOLT,FLANGE,SH.,6 X 12	1
		35	96211-08000	BALL STEEL 8 MM	1
		36	95701-08028-00	BOLT FLANGE, 8 X 28	1

F-18-DRUM
GEAR CHANGE PEDAL/KICK STARTER /PEDAL BRAKE



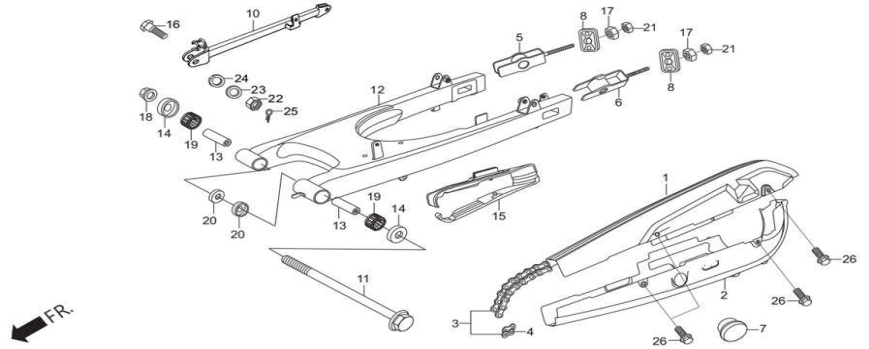
Service Item	F.R.T.	Group Number: F-18-DRUM Model :: HUNK (Feb, 2016) EURO III			
		Ref No.	Part Number	Description	Req.
* PEDAL ASSY., GEAR CHANGE	0.1	1	24700-KVE-900	PEDAL ASSY. GEAR CHANGE	1
* ARM ASSY., KICK STARTER	--				
* JOINT, KICK ARM	0.2	2	24701-KVE-900	PEDAL, GEAR CHANGE	1
* STOPPER, KICK ARM	0.3	3	24711-KVE-900	ARM, GEAR CHANGE PEDAL	1
* SWITCH ASSY., RR. STOP	0.2	4	24720-KFN-850	TIE,ROD	1
* ROD COMP., RR. BRAKE	0.3	5	24721-GS3-000	COVER,CHANGE PEDAL	2
* PEDAL, BRAKE	0.5	6	24781-KR3-770	RUBBER, CHANGE PEDAL	1
		7	28241-AAK-H00	JOINT KICK ARM	1
		8	28293-333-000	CLIP, KICK STARTER ARM	1
		9	28300-AAK-H00	ARM ASSY KICK STARTER	1
		10	28307-AAK-H60	STOPPER KICK ARM	1
		11	28311-KC5-000	STARTER RUBBER, KICK	1
		12	28333-KK0-000	SPRING, KICK STARTER ARM SET	1
		13	35350-KFN-850	SW.ASSY.RR.STOP	1
		14	35357-KVN-970	SPG,STOP SW	1
		15	43451-KVE-901	ROD COMP. RR. BRAKE	1
		16	43455-KSP-900	JOINT BRAKE ARM	1
		17	43456-KSP-900	SPRING BRAKE ROD	1
		18	43459-KSP-900	NUT RR. BRK. ADJUST	1
		19	46500-KVN-900	PEDAL, BRAKE	1
		20	46514-KCC-900	SPRING , BRAKE PEDAL	1

F-18-DRUM
GEAR CHANGE PEDAL/KICK STARTER /PEDAL BRAKE



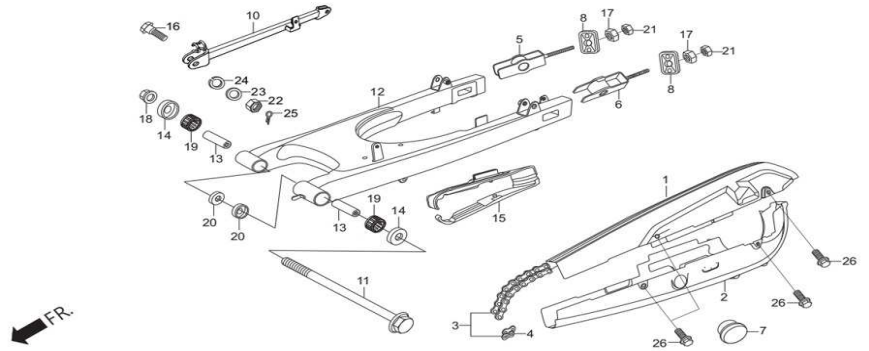
Service Item	F.R.T.	Group Number: F-18-DRUM Model :: HUNK (Feb, 2016) EURO III			
		Ref No.	Part Number	Description	Req.
* PEDAL ASSY., GEAR CHANGE	0.1	21	46515-KB9-000	TUBE , BRAKE PEDAL SPRING	1
* ARM ASSY., KICK STARTER	--	22	46515-KVE-900	ARM, COMP, MIDDLE	1
* JOINT, KICK ARM	0.2	23	90502-155-000	WASHER,PLAIN,7MM	2
* STOPPER, KICK ARM	0.3	24	90502-KRY-930	WASHER , BRAKE ROD	1
* SWITCH ASSY., RR. STOP	0.2	25	90505-KRM-860	WASHER, 15.5 X 22	1
* ROD COMP., RR. BRAKE	0.3	26	90601-KAF-003	CLIP, SW. COVER	1
* PEDAL, BRAKE	0.5	27	94103-06000	WASHER PLAIN,6MM	1
		28	94201-20150	PIN, SPLIT, 2.0 X 15	3
		29	95015-53000	PIN, 'C' JOINT	1
		30	95701-06020-00	BOLT, FLANGE, 6X20	1
		31	95701-08020-00	BOLT, FLANGE, 8X20	3
		32	95701-08040-07	BOLT FLANGE,8 X 40	1
		33	95801-08090-00	BOLT FLANGE 8X90	1
		34	96001-06012-00	BOLT,FLANGE,SH.,6 X 12	1
		35	96211-08000	BALL STEEL 8 MM	1
		36	95701-08028-00	BOLT FLANGE, 8 X 28	1

F-19-DISC
SWINGARM / CHAIN CASE



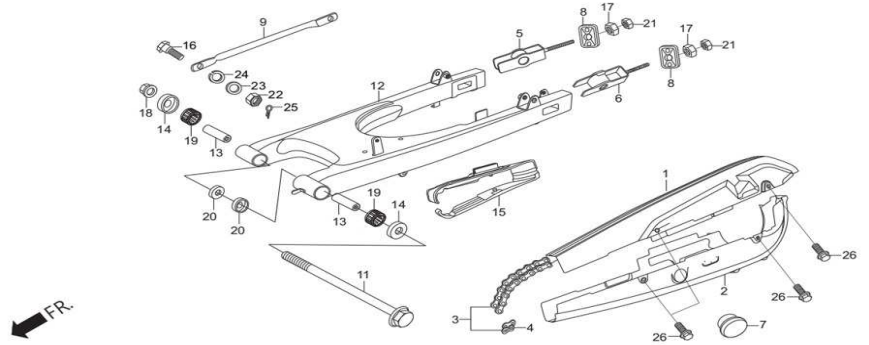
Service Item	F.R.T.	Group Number: F-19-DISC Model :: HUNK (Feb, 2016) EURO III			
		Ref No.	Part Number	Description	Req.
* CASE, UPPER (HALF) DRIVE CHAIN 0.1 (ONE OR ALL)	0.1 --	1	40510-KVN-900	CASE, UP HALF DRIVE CHAIN (MGM)	1
* CHAIN, DRIVE	0.3	2	40520-KVN-900	CASE, UND HALF DRIVE CHAIN (MBL)	1
* ARM, RR. BRAKE STOPPER	0.2	3	40530-KSP-900	CHAIN DRIVE 428H-126	1
* SWINGARM, COMP. RR	0.7	4	40531-KCS-690	JOINT, RJ. DRIVE CHAIN	1
* RUBBER BUSH, RR. FORK PIVOT	1.0	5	40543-KRY-900	ADJUSTER, 'R' CHAIN	1
* SLIDER, CHAIN	--	6	40544-KRY-900	ADJUSTER, 'L' CHAIN	1
		7	40545-001-000	CAP, CHAIN PEEP HOLE	1
		8	40546-KVE-900	CAP, SWINGING END (SSM)	2
		10	43431-AAK-100	ARM COMP RR BRK STOPPER	1
		11	52101-KTN-700	BOLT, SWINGARM PIVOT	1
		12	52110-KVN-970	SWINGARM COMP RR	1
		13	52143-KVE-900	COLLAR, PIVOT DIST L	2
		14	52144-KEJ-900	DUST SEAL, CAP REAR SWINGARM	2
		15	52170-KVN-900	SLIDER, CHAIN	1
		16	90133-331-770	BOLT, HEX., 8MM	1
		17	90302-KBP-900	NUT SPL 6 MM	2
		18	90305-KVN-900	NUT, FLG. PT. 14 MM	1
		19	91071-KVN-900	BRG, NEEDLE 20X26X20	2
		20	91254-KS6-003	DUST SEAL 20 X 26 X 4.5	2
		21	94001-06090-0S	NUT, HEX, 6 MM	2

F-19-DISC
SWINGARM / CHAIN CASE



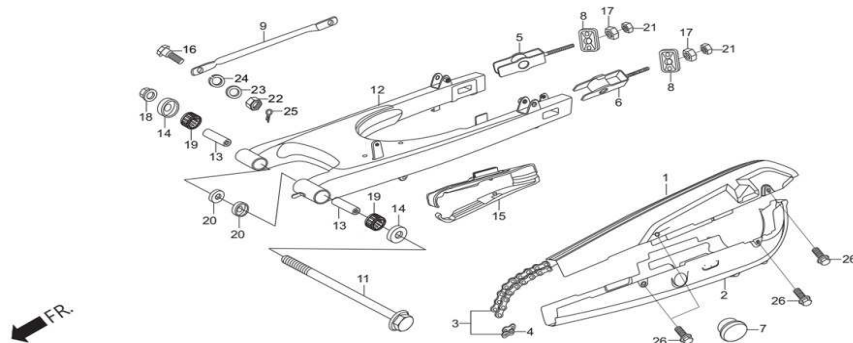
Service Item	F.R.T.	Group Number: F-19-DISC Model :: HUNK (Feb, 2016) EURO III			
		Ref No.	Part Number	Description	Req.
* CASE, UPPER (HALF) DRIVE CHAIN 0.1 (ONE OR ALL)	0.1	22	94001-08000-0S	NUT, HEX., 8 MM	1
* CHAIN, DRIVE	0.3	23	94101-08000	WASHER, PLAIN, 8MM	1
* ARM, RR. BRAKE STOPPER	0.2	24	94111-10000	WASHER, SPRING, 10MM	1
* SWINGARM, COMP. RR	0.7	25	94201-20150	PIN, SPLIT, 2.0 X 15	1
* RUBBER BUSH, RR. FORK PIVOT	1.0	26	95701-06012-07	BOLT, FLANGE, 6X12	4
* SLIDER, CHAIN	--				

F-19-DRUM
SWINGARM / CHAIN CASE



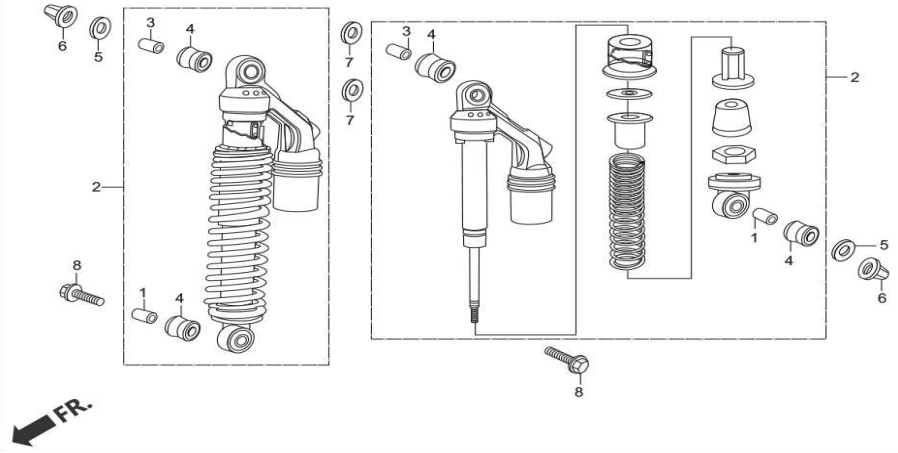
Service Item	F.R.T.	Group Number: F-19-DRUM Model :: HUNK (Feb, 2016) EURO III			
		Ref No.	Part Number	Description	Req.
* CASE, UPPER (HALF) DRIVE CHAIN 0.1 (ONE OR ALL)	0.1 --	1	40510-KVN-900	CASE, UP HALF DRIVE CHAIN (MGM)	1
* CHAIN, DRIVE	0.3	2	40520-KVN-900	CASE, UND HALF DRIVE CHAIN (MBL)	1
* ARM, RR. BRAKE STOPPER	0.2	3	40530-KSP-900	CHAIN DRIVE 428H-126	1
* SWINGARM, COMP. RR	0.7	4	40531-KCS-690	JOINT, RJ. DRIVE CHAIN	1
* RUBBER BUSH, RR. FORK PIVOT	1.0	5	40543-KRY-900	ADJUSTER, 'R' CHAIN	1
* SLIDER, CHAIN	--	6	40544-KRY-900	ADJUSTER, 'L' CHAIN	1
		7	40545-001-000	CAP, CHAIN PEEP HOLE	1
		8	40546-KVE-900	CAP, SWINGING END (SSM)	2
		9	43431-KTR-900	ARM, RR, BRAKE STOPPER	1
		11	52101-KTN-700	BOLT, SWINGARM PIVOT	1
		12	52110-KVN-900	SWINGARM COMP., RR.(MGM)	1
		13	52143-KVE-900	COLLAR, PIVOT DIST L	2
		14	52144-KEJ-900	DUST SEAL, CAP REAR SWINGARM	2
		15	52170-KVN-900	SLIDER, CHAIN	1
		16	90133-331-770	BOLT, HEX., 8MM	1
		17	90302-KBP-900	NUT SPL 6 MM	2
		18	90305-KVN-900	NUT, FLG. PT. 14 MM	1
		19	91071-KVN-900	BRG, NEEDLE 20X26X20	2
		20	91254-KS6-003	DUST SEAL 20 X 26 X 4.5	2
		21	94001-06090-0S	NUT, HEX, 6 MM	2

F-19-DRUM
SWINGARM / CHAIN CASE



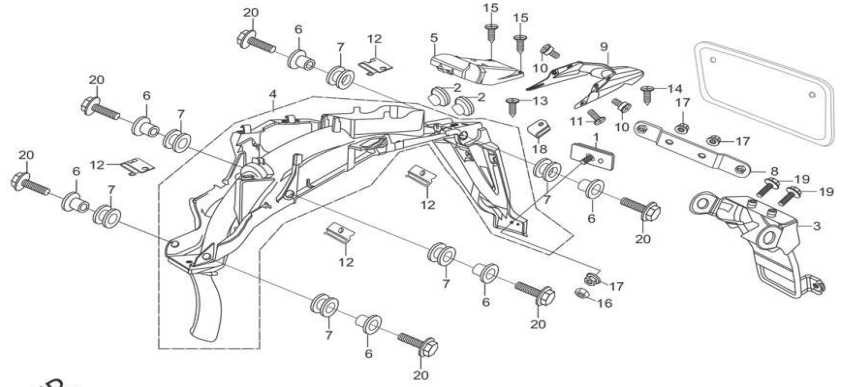
Service Item	F.R.T.	Group Number: F-19-DRUM Model :: HUNK (Feb, 2016) EURO III			
		Ref No.	Part Number	Description	Req.
* CASE, UPPER (HALF) DRIVE CHAIN 0.1 (ONE OR ALL)	0.1 --	22	94001-08000-0S	NUT, HEX., 8 MM	1
* CHAIN, DRIVE	0.3	23	94101-08000	WASHER, PLAIN, 8MM	1
* ARM, RR. BRAKE STOPPER	0.2	24	94111-10000	WASHER, SPRING, 10MM	1
* SWINGARM, COMP. RR	0.7	25	94201-20150	PIN, SPLIT, 2.0 X 15	1
* RUBBER BUSH, RR. FORK PIVOT	1.0	26	95701-06012-07	BOLT, FLANGE, 6X12	4
* SLIDER, CHAIN	--				

F-20
CUSHION REAR



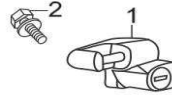
Service Item	F.R.T.	Group Number: F-20 Model :: HUNK (Feb, 2016) EURO III			
		Ref No.	Part Number	Description	Req.
* CUSHION ASSY., REAR (ONE OR ALL)	0.2 --	1	51488-KTN-701	COLLAR, RUBBER BUSH (UNDER)	2
* DAMPER COMP., REAR (ADD 0.2 FOR EACH)	0.4 --	2	52400-AAK-100	CUSHION ASSY RR	2
		3	52486-KTN-701	COLLAR, RUBBER BUSH (UPPER)	2
		5	90551-178-000	WASHER,SPL., 10MM	2
		6	94021-10000-0S	NUT, HEX., CAP, 10MM	2
		7	94101-12800	WASHER,PLAIN ,12 MM	2
		8	95801-10035-00	BOLT, FLANGE, 10X35	2

F-21
REAR FENDER



Service Item	F.R.T.	Group Number: F-21 Model :: HUNK (Feb, 2016) EURO III			
		Ref No.	Part Number	Description	Req.
* COVER, TOOL BOX	0.5	1	33741-AAM-101	REFLEX REFLECTOR	1
* FENDER COMP., REAR	0.6	2	47117-196-000	RUBBER, STOPPER	2
		3	50186-KVN-900	STAY, RR WINKER	1
		4	80100-KVN-900	FENDER, COMP., REAR	1
		5	80102-KVN-900	COVER, TOOL BOOX	1
		6	80111-KVN-900	COLLAR, RR. FENDER	6
		7	80112-KVN-900	RUBBER, RR FENDER	6
		8	84701-AAK-200	BRACKET, RR. NO. PLATE	1
		9	88150-KVN-900	RR ., FENDER COVER	1
		10	90101-087-720	SCREW, HEAD LIGHT SET	2
		11	90103-KVN-900	SCREW, PAN 5 X 13.5	1
		12	90320-GC3-000	NUT, SPRING, M5	4
		13	93903-34220	SCREW TAPPING 4X10	1
		14	93903-34420	SCREW TAPPING 4X16	1
		15	93903-35280	SCREW, TAPPING, 5 X 12	2
		16	94002-06000-0S	NUT, HEX 6MM	1
		17	94050-06000	NUT, FLANGE, 6 MM	3
		18	94591-27000	CLIP 2 X 70	1
		19	95701-06012-07	BOLT, FLANGE, 6X12	2
		20	95701-06020-07	BOLT, FLANGE, 6 X 20	6

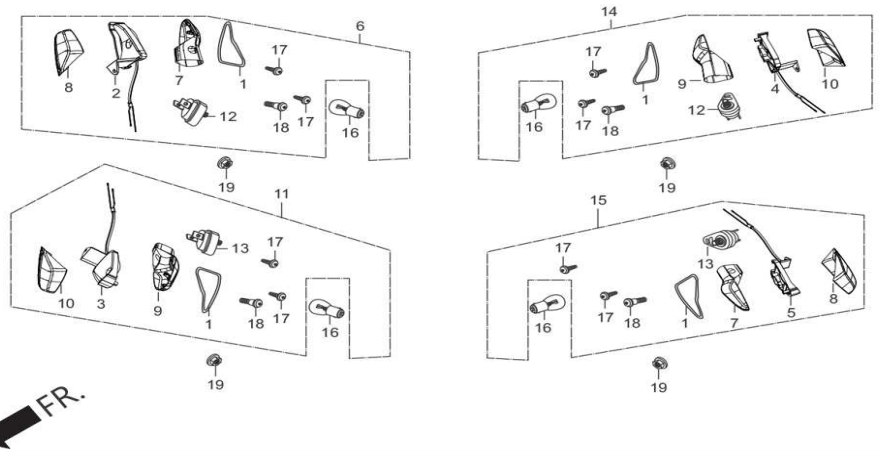
F-21A
 HOLDER ASSY.(OPTIONAL)



FR.

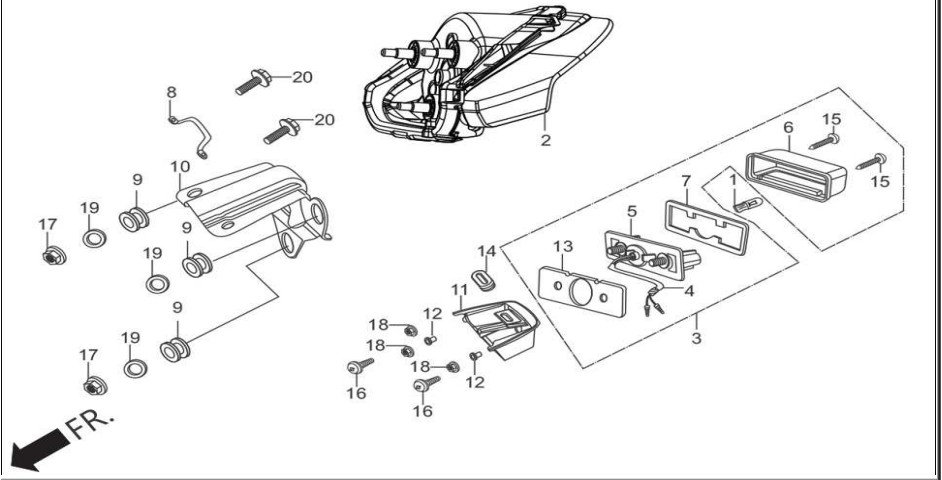
Service Item	F.R.T.	Group Number: F-21A Model :: HUNK (Feb, 2016) EURO III			
		Ref No.	Part Number	Description	Req.
* COVER, TOOL BOX	0.5	1	5072A-KEB-H20	HOLDER ASSY. HELMET(WITH KEYS)	1
* FENDER COMP., REAR	0.6	2	90107-428-000	BOLT,'B' SPECIAL,6 MM	1

F-22
WINKER



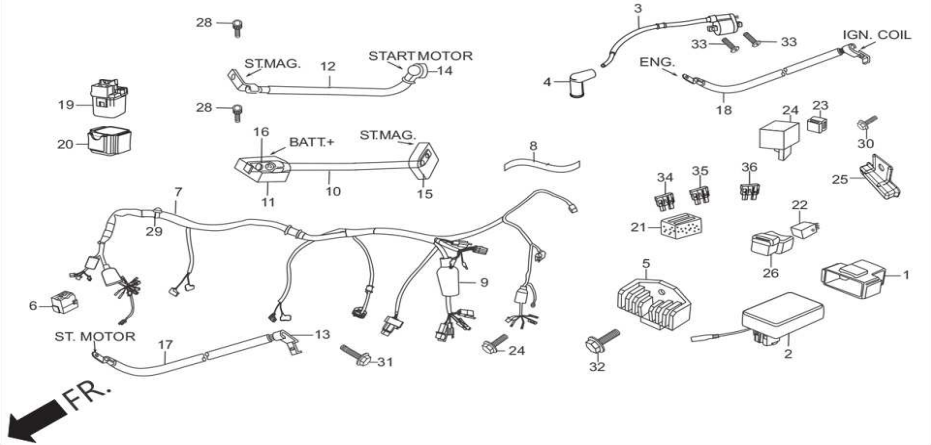
Service Item	F.R.T.	Group Number: F-22 Model :: HUNK (Feb, 2016) EURO III			
		Ref No.	Part Number	Description	Req.
* WINKER ASSY., R/L FR (ADD 0.1 FOR EACH.)	0.2	1	33307-KVN-901	PACKING LENS	4
(INC. RELATIVE PART)	--	2	3331A-AAK-201	REFLECTOR COMP., WINKER 'R' FR.,	2
* WINKER ASSY., R/L RR. (ADD 0.1 FOR EACH.)	0.3	3	3331B-AAK-201	REFLECTOR COMP., WINKER 'L' FR.,	2
(INC. RELATIVE PART)	--	4	3331C-AAK-201	REFLECTOR COMP., WINKER 'R' RR.,	2
(EXC. RELATED PARTS BELOW)	--	5	3331D-AAK-201	REFLECTOR COMP., WINKER 'L' RR.,	2
* BULB, WINKER (WHEN SERVICING COMP., UNIT, F.R.T. IS 0.2)	0.1	6	3340B-AAK-201	WINKER, ASSY. R. FR. (W/O BULB)	1
		7	33401-AAB-401	BASE WINKER A	2
		8	33402-AAB-401	LENS WINKER A	2
		9	33451-AAB-401	BASE WINKER B	2
		10	33452-AAB-401	LENS WINKER B	1
		11	3345B-AAK-201	WINKER, ASSY., L FR. (W/O BULB)	1
		12	33605-KVN-901	STAY COMP., WINKER A	2
		13	33606-KVN-900	STAY COMP., WINKER B	2
		14	3360B-AAK-201	WINKER, ASSY. R. RR (W/O BULB)	1
		15	3365B-AAK-201	WINKER ASSY., L RR. (W/O BULB)	1
		16	34908-AAB-401	BULB (12V10W) AMBER E MARK	4
		17	90104-KVN-900	SCREW , TAPPING M3X15	8
		18	90380-MB2-000	SCREW, SPECIAL, 6 X 8	4
		19	94050-10000	NUT, FLANGE, 10MM	4

F-23
TAIL LIGHT



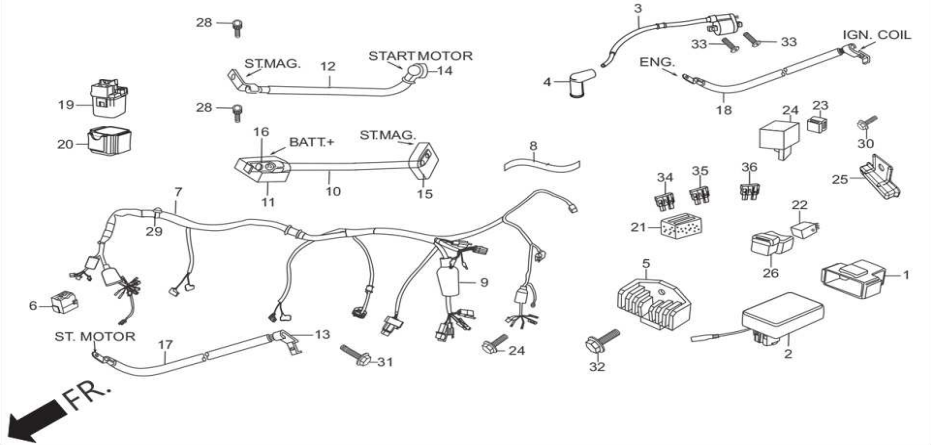
Service Item	F.R.T.	Group Number: F-23 Model :: HUNK (Feb, 2016) EURO III			
		Ref No.	Part Number	Description	Req.
* UNIT, TAIL LIGHT.	0.2	1	34351-AAB-401	BULB (12VW5W) E MARK	1
* LENS COMP., TAIL LIGHT	--	2	33701-AAK-201	UNIT TAIL LIGHT	1
* BASE COMP., TAIL LGHT	--	3	3372B-AAK-201	LIGHT, ASSY., LICENSE (W/O BULB)	1
* BULB, TAIL & STOP LIGHT	0.1	4	33721-AAK-201	SOCKET, COMP.,	1
* STAY, TAIL LIGHT	--	5	33722-KVE-900	BASE COMP.	1
		6	33723-KVE-900H	COVER COMP.	1
		7	33729-MCZ-003	PACKING, LENS	1
		8	50192-KVN-900	BAR, SEAT STOPPER	1
		9	77205-KVN-900	RUBBER, TAIL LIGHT MOUNT	3
		10	77235-KVN-900	STAY, TAIL LIGHT	1
		11	80201-KVN-900	BASE, LICENSE LIGHT	1
		12	80202-KVE-900	COLLAR LICENSE LIGHT	2
		13	80203-KVE-900	RUBBER LICENSE LIGHT	1
		14	83601-KVN-900	GROMMET RR. FENDER COVER	1
		15	93901-24480	SCREW, TAPPING, 4 X 16	2
		16	93903-34420	SCREW TAPPING 4X16	2
		17	94050-05000	NUT FLANGE, 5 MM	2
		18	94050-06000	NUT, FLANGE, 6 MM	3
		19	94103-06800	WASHER, PLAIN 6 MM	3
		20	95701-06016-07	BOLT, FLANGE, 6 X 16	2

F-24
WIRE HARNESS/START CABLES



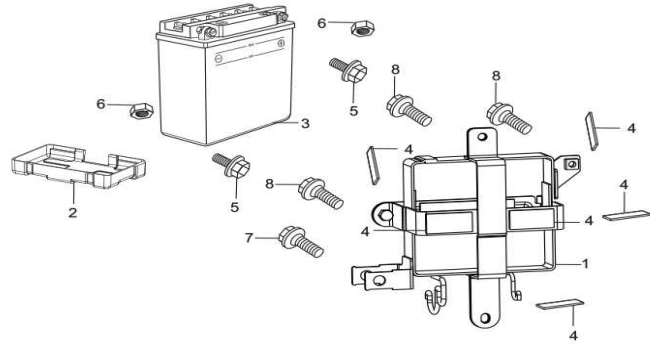
Service Item	F.R.T.	Group Number: F-24 Model :: HUNK (Feb, 2016) EURO III			
		Ref No.	Part Number	Description	Req.
* UNIT COMP., CDI.	0.4	1	30401-KVE-901	CUSHION, C.D.I. UNIT	1
* COIL ASSY., IGNITION	--	2	30410-AAB-101	UNIT COMP. DIGITAL DC-CDI	1
* REG. REC. COMP	0.6	3	30500-AAB-H61	COIL ASSY IGN	1
* HARNESS, WIRE	1.0	4	30700-KTC-A21	CAP ASSY., NOISE SUPPRESSOR	1
		5	31600-KWS-901	REG RECT COMP	1
		6	31700-124-000	RECTIFIER ASSY., SILICON	1
		7	32100-AAK-200	HARNESS WIRE	1
		8	32101-KVN-970	SUB HARNESS FR.,	1
		9	32108-344-820	COVER, CONNECTOR	1
		10	32401-KVN-970	CABLE,ST-MAG BATT	1
		11	32406-KVN-970	COVER ST.MAG.TERMINAL A	1
		12	32410-KVN-970	CABLE,START MOTOR	1
		13	32413-KRY-970	TERMINAL, BAT CABLE	1
		14	32411-253-000	COVER, STARTING MOTOR	1
		15	32414-KVN-970	COVER,BAT TERMINAL	1
		16	32418-KRY-970	TERMINAL, BAT	1
		17	32601-KVN-970	CABLE,BAT EARTH	1
		18	32602-KVN-900	CABLE, ENG. EARTH	1
		19	35850-KR3-870	SWITCH ASSY., START MAG.	1
		20	35856-KBG-007	RUBBER,SHOCK	1

F-24
WIRE HARNESS/START CABLES



Service Item	F.R.T.	Group Number: F-24 Model :: HUNK (Feb, 2016) EURO III			
		Ref No.	Part Number	Description	Req.
* UNIT COMP., CDI.	0.4	21	38201-KVN-910	RUBBER, SPARE FUSE SET	1
* COIL ASSY., IGNITION	--	22	38301-KVN-971	RELAY COMP.WINKER	1
* REG. REC. COMP	0.6	23	38306-KK4-000	SUSP WINKER RELAY	1
* HARNESS, WIRE	1.0	24	38502-KSP-910	RELAY COMP., POWER (MICRO ISO 5P)	1
		25	35400-KRY-970	RESISTOR COMP.	1
		26	38506-KSP-910	SUS., POWER RELAY	1
		27	90110-KVE-900	BOLT SOCKET 6X8	1
		28	90111-MR5-000	BOLT, SOCKET, 5X9	2
		29	91551-PNA-003	BAND, CLAMP	1
		30	95701-06012-00	BOLT, FLANGE, 6X12	1
		31	95701-06014-18	BOLT, FLANGE, 6 X 14	1
		32	95701-06016-00	BOLT, FLANGE, 6X16	1
		33	96001-06020-00	BOLT, FLANGE, SH. 6 X 20	2
		34	98200-31000	BLADE, FUSE 10A	1
		35	98200-31500	BLADE, FUSE, 15A	1
		36	98200-32000	BLADE, FUSE, 20A	1

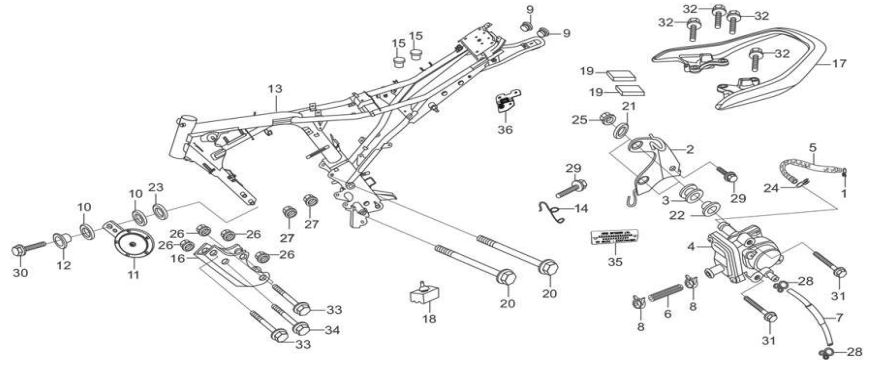
F-24A
BATTERY ASSY.



FR.

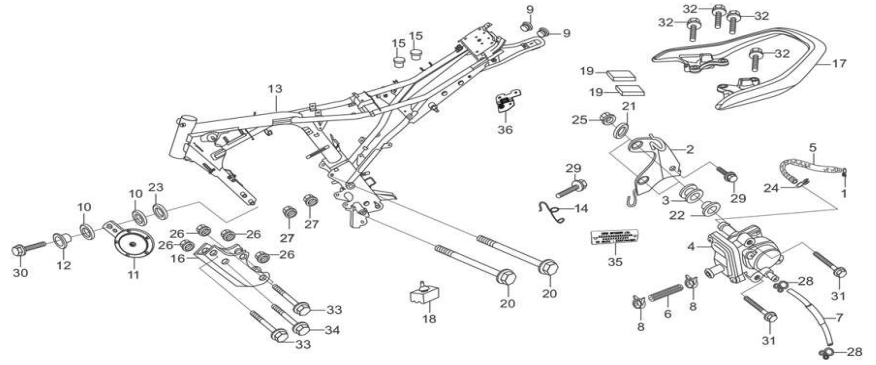
Service Item	F.R.T.	Group Number: F-24A Model :: HUNK (Feb, 2016) EURO III			
Ref No.	Part Number	Description	Req.		
*BATTERY	0.2				
1	17232-KVN-970	CASE COMP,BATTERY	1		
2	17250-KVN-970H	TRAY,BATTERY	1		
3	31500-KRP-801	BATTERY ASSY	1		
4	50383-KRC-900	RUBBER , BATTERY	6		
5	90122-KVT-941	BOLT BATTERY TERMINAL	1		
6	90306-KVT-941	NUT BATTERY TERMINAL	2		
7	95701-06008-00	BOLT, FLANGE, 6X8	1		
8	95701-06012-00	BOLT, FLANGE, 6X12	3		

F-25
FRAME BODY/ASV/GRIP REAR



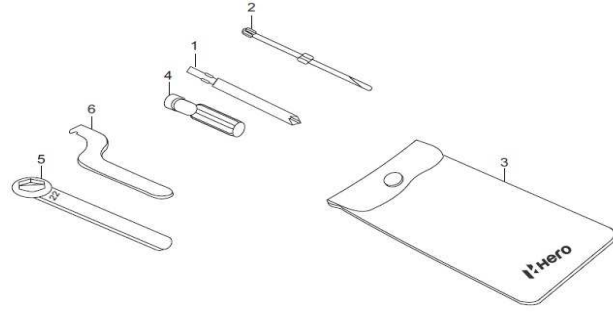
Service Item	F.R.T.	Group Number: F-25 Model :: HUNK (Feb, 2016) EURO III			
		Ref No.	Part Number	Description	Req.
* PLATE, FR. ENGINE HANGER	0.2	1	15772-KTN-900	CLIP BREATHER TUBE	1
* BODY COMP., FRAME	*5.5	2	17365-KTN-700	PLATE, ASV SET	1
* VALVE ASSY., AIR SUCTION	0.4	3	17622-GB7-900	RUBBER, CUSHION	2
* HORN COMP.,	0.1	4	18600-KSP-901	VALVE, ASSY. AIR SUCTION	1
		5	18601-KVE-900	TUBE, A ASV	1
		6	18602-KSP-900	TUBE, B ASV	1
		7	18655-KVE-900	TUBE, PB ASV	1
		8	19509-KFN-850	CLAMP, D16 TUBE	2
		9	19902-865-780	GROMMET, A SIDE COVER	2
		10	33714-KL3-620	RUBBER, TAIL LIGHT	2
		11	38110-AAK-201	HORN, COMP.,	1
		12	38117-KFE-701	COLLAR, HORN SET	1
		13	50100-AAK-200	FRAME, BODY COMP.,	1
		14	50296-KVE-900	GUIDE DRAIN HOSE	1
		15	50328-KVN-900	RUBBER, TANK MTG.	2
		16	50351-KVN-900	PLATE FRONT ENG HANGER	1
		17	50400-KVN-870	GRIP REAR	1
		18	50505-KCC-900	STOPPER RUBBER, 'A' STAND	1
		19	77231-KVE-900	CUSHION COWL CENTER A.	2
		20	90019-399-010	BOLT, FLANGE, 10 X 110	2

F-25
FRAME BODY/ASV/GRIP REAR



Service Item	F.R.T.	Group Number: F-25 Model :: HUNK (Feb, 2016) EURO III			
		Ref No.	Part Number	Description	Req.
* PLATE, FR. ENGINE HANGER	0.2	21	90417-041-000	WASHER, GEAR SHIFT DRUM SIDE	2
* BODY COMP., FRAME	*5.5	22	90502-KVE-900	COLLAR RUBBER CUSHION	2
* VALVE ASSY., AIR SUCTION	0.4	23	90525-428-900	WASHER, PLANE 6 MM	1
* HORN COMP.,	0.1	24	90601-KAF-003	CLIP, SW. COVER	1
		25	94050-06000	NUT, FLANGE, 6 MM	1
		26	94050-08000	NUT, FLANGE, 8MM	4
		27	94050-10000	NUT, FLANGE, 10MM	2
		28	95002-02070	CLIP, B-7 TUBE	2
		29	95701-06012-07	BOLT, FLANGE, 6X12	2
		30	95701-06020-07	BOLT, FLANGE, 6 X 20	1
		31	95701-06030-00	BOLT, FLANGE, 6X30	2
		32	95701-08022-08	BOLT, FLANGE, 8 X 22	4
		33	95801-08090-00	BOLT FLANGE 8X90	3
		34	95801-08095-00	BOLT, FLANGE, 8 X 95	1
		35	50209-AAK-200	STATUTORY MARKING PLATE	1
		36	51104-AAK-200	STAY, HELMET HOLDER	1

F-26
TOOLS



FR.

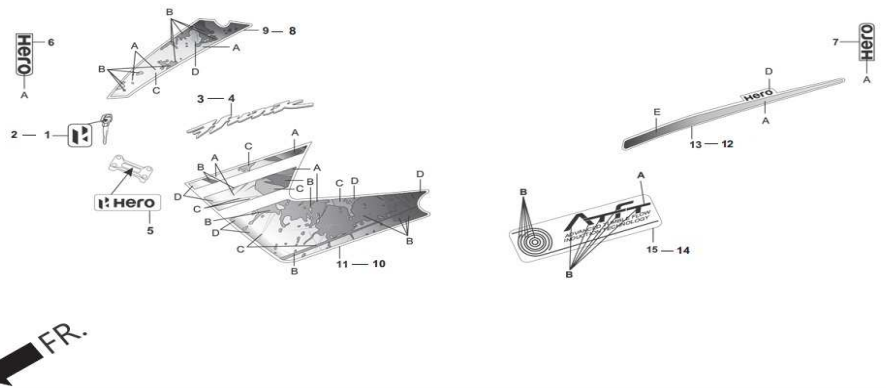
Service Item

F.R.T.

Group Number: F-26 Model :: HUNK (Feb, 2016) EURO III

Ref No.	Part Number	Description	Req.
1	89102-AAC-000	NO.3 CROSS POINT SCREW DRIVER	1
2	89102-538-000	SCREW, DRIVER PLUS/MINUS	1
3	89216-AAD-H00	TOOL BAG	1
4	89103-538-000	GRIP, SCREW DRIVER	1
5	89215-AAC-000	BOX WRENCH P16X14	1
6	99007-AAK-100	PIN, SPANNER	1

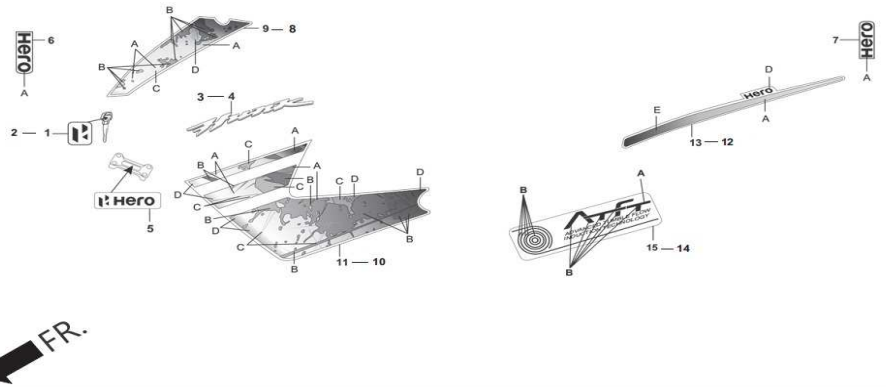
F-27
 STRIPE/ MARKS



FR.

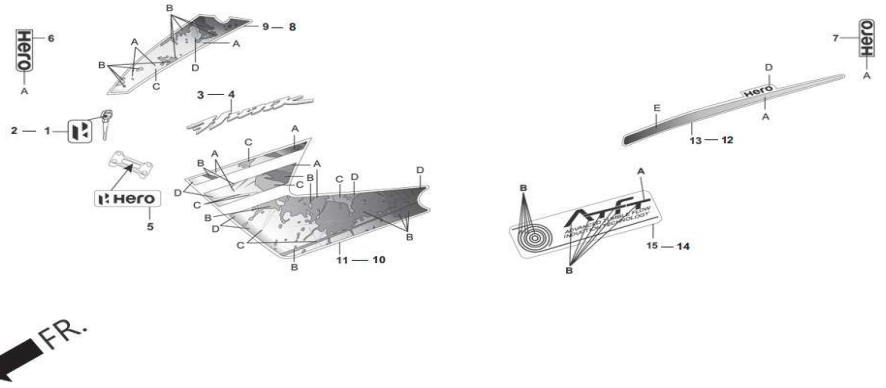
Service Item	F.R.T.	Group Number: F-27 Model :: HUNK (Feb, 2016) EURO III			
Ref No.	Part Number	Description	Req.		
1	35113-KZJ-H00	EMBLEM ICON	1		
2	35114-KZJ-H00	EMBLEM,WORD MARK	1		
3	50201-KVN-900	EMBLEM, 'R' SHROUD	1		
4	50301-KVN-900	EMBLEM, 'L' SHROUD	1		

F-27
 STRIPE/ MARKS



Service Item	F.R.T.	Group Number: F-27 Model :: HUNK (Feb, 2016) EURO III		
Ref No.	Part Number	Description	Req.	
5	53132-KZN-900	EMBLEM HANDLE RR COVER	1	

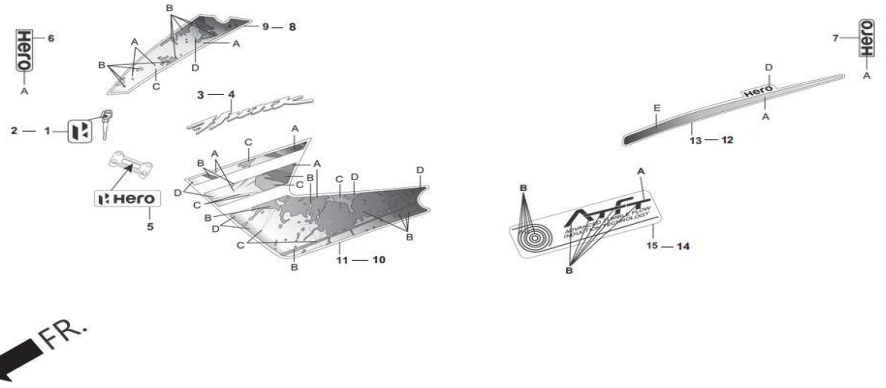
F-27
STRIPE/ MARKS



Service Item	F.R.T.	Group Number: F-27 Model :: HUNK (Feb, 2016) EURO III		
Ref No.	Part Number	Description	Req.	
6	64101-AAK-100	MARK, WIND SCREEN	1	

SPECIFIED COLOUR TYPE		SPECIFIED COLOUR CHART FOR STRIPE, MARK WIND SCREEN		
1	NH-259M SEED SILVER METALLIC	A		
		MAIN BODY COLOUR		
		PANTHER BLACK ME. (NH-B08M)		
		MAT BLACK (NH-105)		
		CANDY BLAZING RED (R-195C)		
			PEARL HARVEST GREEN (GY-136P)	
			PEARL FADELESS WHITE (NH-341P)	

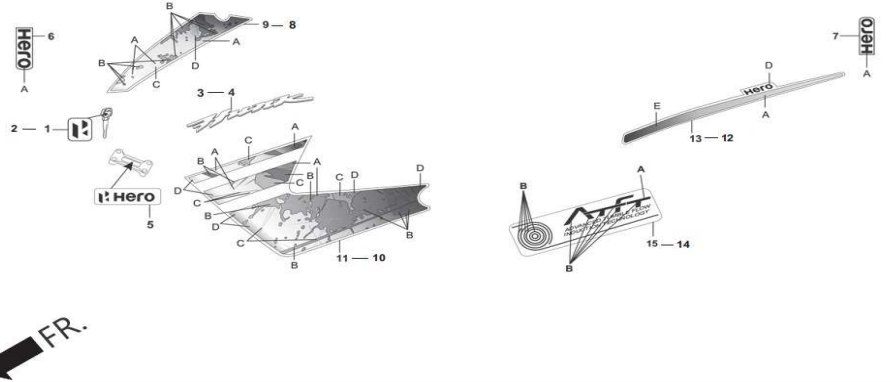
F-27
 STRIPE/ MARKS



Service Item	F.R.T.	Group Number: F-27 Model :: HUNK (Feb, 2016) EURO III		
Ref No.	Part Number	Description	Req.	
7	77238-AAK-100	MARK, CENTER RR. COWL	1	

SPECIFIED COLOUR CHART FOR STRIPE, MARK CENTER RR. COWL		MAIN BODY COLOUR	
SPECIFIED COLOUR TYPE	A		
1	NH-259M SEED SILVER METALLIC	PANTHER BLACK ME. (NH-B08M)	
		MAT BLACK (NH-105)	
		CANDY BLAZING RED (R-195C)	
		PEARL HARVEST GREEN (GY-136P)	
		PEARL FADELESS WHITE (NH-341P)	

F-27
STRIPES/ MARKS



Service Item

F.R.T.

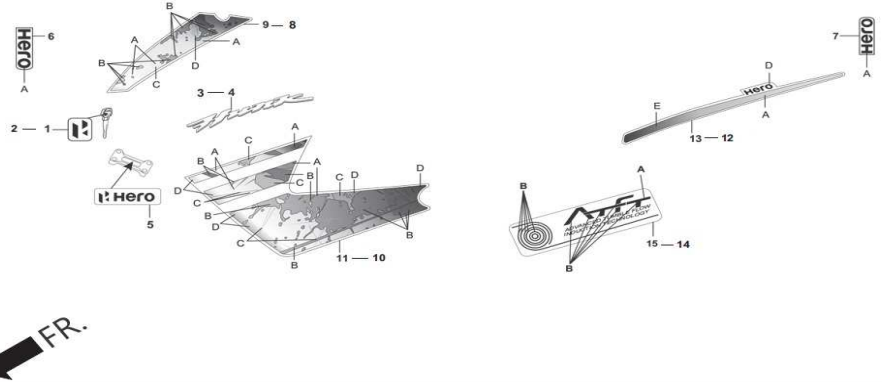
Group Number: F-27 Model :: HUNK (Feb, 2016) EURO III

Ref No.	Part Number	Description	Req.
8	86271-AAK-100R	STRIPE R COWL FR SIDE(TYPE-1)	1
	86271-AAK-100U	STRIPE R COWL FR SIDE(TYPE-4)	1
	86271-AAK-100V	STRIPE R COWL FR SIDE(TYPE-5)	1
	86271-AAK-100X	STRIPE R COWL FR SIDE(TYPE-7)	1
	86271-AAK-100Z	STRIPE R COWL FR SIDE(TYPE-9)	1

SPECIFIED COLOUR CHART FOR STRIPE, R. COWL FR. SIDE

SPECIFIED COLOUR TYPE	A	B	C	D	MAIN BODY COLOUR
1	RED-1	CLASSY MAROON	STRIKE RED	PANTHER BLACK ME.	PANTHER BLACK ME. (NH-B08M)
2	VINE RED YELLOW	PANTONE 731C	MID BROWN	MAT BLACK	MAT BLACK (NH-105)
3	WHITE -2	PURE RED	DARK RED	CANDY BLAZING RED	CANDY BLAZING RED (R-195C)
4	YELLOW GREEN ME.	BLACK SHINE ME.	METEO GOLD ME.	PEARL HARVEST GREEN	PEARL HARVEST GREEN (GY-136P)
5	DARK GREY	SILVER	IRON NAIL SILVER	TRANSPARENT	PEARL FADELESS WHITE (NH-341P)

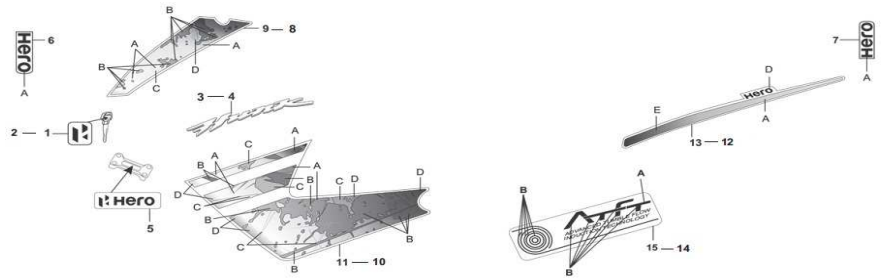
F-27
STRIPE/ MARKS



Service Item	F.R.T.	Group Number: F-27 Model :: HUNK (Feb, 2016) EURO III			
Ref No.	Part Number	Description	Req.		
9	86272-AAK-100R	STRIPE L COWL FR SIDE(TYPE-1)	1		
	86272-AAK-100U	STRIPE L COWL FR SIDE(TYPE-4)	1		
	86272-AAK-100V	STRIPE L COWL FR SIDE(TYPE-5)	1		
	86272-AAK-100X	STRIPE L COWL FR SIDE(TYPE-7)	1		
	86272-AAK-100Z	STRIPE L COWL FR SIDE(TYPE-9)	1		

SPECIFIED COLOUR CHART FOR STRIPE, L. COWL FR. SIDE					
SPECIFIED COLOUR TYPE	A	B	C	D	MAIN BODY COLOUR
1	RED-1	CLASSY MAROON	STRIKE RED	PANTHER BLACK ME.	PANTHER BLACK ME. (NH-B08M)
2	VINE RED YELLOW	PANTONE 731C	MID BROWN	MAT BLACK	MAT BLACK (NH-105)
3	WHITE -2	PURE RED	DARK RED	CANDY BLAZING RED	CANDY BLAZING RED (R-195C)
4	YELLOW GREEN ME.	BLACK SHINE ME.	METEO GOLD ME.	PEARL HARVEST GREEN	PEARL HARVEST GREEN (GY-136P)
5	DARK GREY	SILVER	IRON NAIL SILVER	TRANSPARENT	PEARL FADELESS WHITE (NH-341P)

F-27
STRIPE/ MARKS

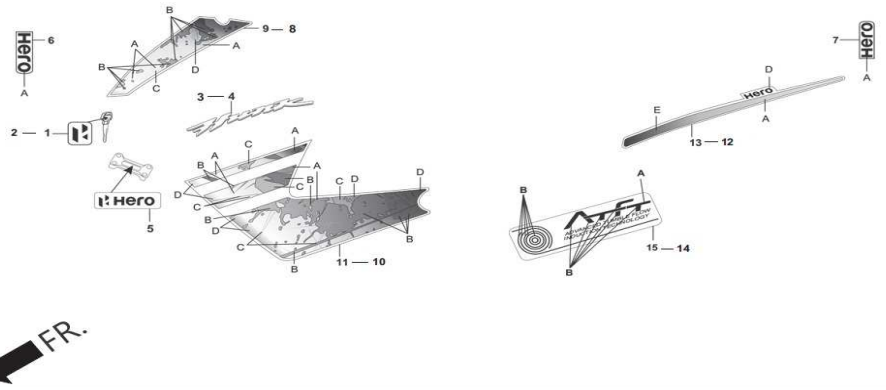


FR.

Service Item	F.R.T.	Group Number: F-27 Model :: HUNK (Feb, 2016) EURO III			
Ref No.	Part Number	Description	Req.		
10	86501-AAK-100R	STRIPE R SHROUD(TYPE-1)	1		
	86501-AAK-100U	STRIPE R SHROUD(TYPE-4)	1		
	86501-AAK-100V	STRIPE R SHROUD(TYPE-5)	1		
	86501-AAK-100X	STRIPE R SHROUD(TYPE-7)	1		
	86501-AAK-100Z	STRIPE R SHROUD(TYPE-9)	1		

SPECIFIED COLOUR CHART FOR MARK, RIGHT SHROUD					
SPECIFIED COLOUR TYPE	A	B	C	D	MAIN BODY COLOUR
1	RED-1	CLASSY MAROON	STRIKE RED	PANTHER BLACK ME.	PANTHER BLACK ME. (NH-B08M)
4	WINE RED YELLOW	PANTONE 731C	MID BROWN	MAT BLACK	MAT BLACK (NH-105)
5	WHITE-2	PURE RED	DARK RED	CANDY BLAZING RED	CANDY BLAZING RED (R-195C)
7	YELLOW GREEN ME.	BLACK SHINE ME.	METEO GOLD ME.	PEARL HARVEST GREEN	PEARL HARVEST GREEN (GY-136P)
9	DARK GREY	SILVER	IRON NAIL SILVER	TRANSPARENT	PEARL FADELESS WHITE (NH-341P)

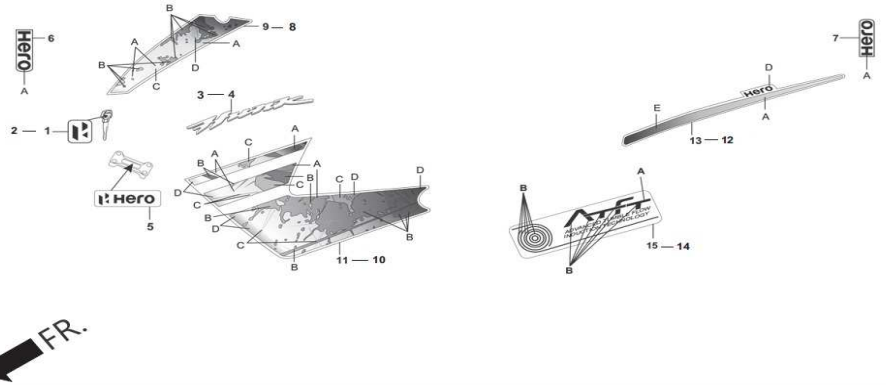
F-27
STRIPE/ MARKS



Service Item	F.R.T.	Group Number: F-27 Model :: HUNK (Feb, 2016) EURO III			
Ref No.	Part Number	Description	Req.		
11	86502-AAK-100R	STRIPE L SHROUD(TYPE-1)	1		
	86502-AAK-100U	STRIPE L SHROUD(TYPE-4)	1		
	86502-AAK-100V	STRIPE L SHROUD(TYPE-5)	1		
	86502-AAK-100X	STRIPE L SHROUD(TYPE-7)	1		
	86502-AAK-100Z	STRIPE L SHROUD(TYPE-9)	1		

SPECIFIED COLOUR CHART FOR MARK, LEFT SHROUD					
SPECIFIED COLOUR TYPE	A	B	C	D	MAIN BODY COLOUR
1	RED-1	CLASSY MAROON	STRIKE RED	PANTHER BLACK ME.	PANTHER BLACK ME. (NH-B08M)
4	WINE RED YELLOW	PANTONE 731C	MID BROWN	MAT BLACK	MAT BLACK (NH-105)
5	WHITE-2	PURE RED	DARK RED	CANDY BLAZING RED	CANDY BLAZING RED (R-195C)
7	YELLOW GREEN ME.	BLACK SHINE ME.	METEO GOLD ME.	PEARL HARVEST GREEN	PEARL HARVEST GREEN (GY-136P)
9	DARK GREY	SILVER	IRON NAIL SILVER	TRANSPARENT	PEARL FADELESS WHITE (NH-341P)

F-27
STRIPE/ MARKS



Service Item

F.R.T.

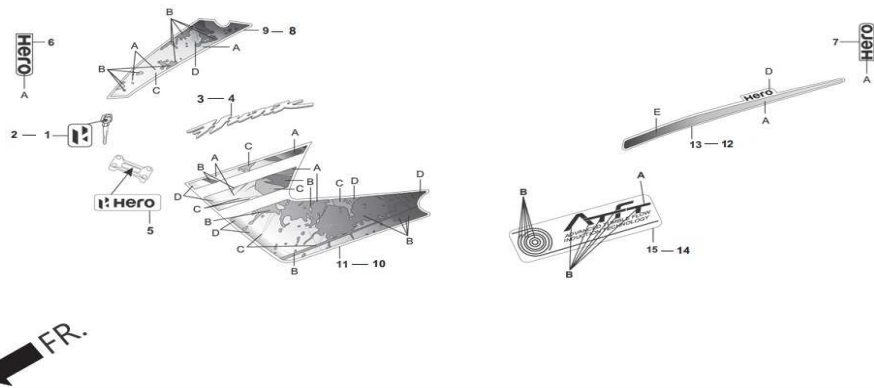
Group Number: F-27 Model :: HUNK (Feb, 2016) EURO III

Ref No.	Part Number	Description	Req.
12	86771-AAK-100R	STRIPE R RR COWL(TYPE-1)	1
	86771-AAK-100U	STRIPE R RR COWL(TYPE-4)	1
	86771-AAK-100V	STRIPE R RR COWL(TYPE-5)	1
	86771-AAK-100X	STRIPE R RR COWL(TYPE-7)	1
	86771-AAK-100Z	STRIPE R RR COWL(TYPE-9)	1

SPECIFIED COLOUR CHART FOR MARK RIGHT RR. COWL

SPECIFIED COLOUR TYPE	A	D	E	MAIN BODY COLOUR
1	RED-1	FORCE SILVER ME	PANTHER BLACK ME.	PANTHER BLACK ME. (NH-B08M)
2	VINE RED YELLOW	FORCE SILVER ME	MAT BLACK	MAT BLACK (NH-105)
3	WHITE -2	WHITE -2	CANDY BLAZING RED	CANDY BLAZING RED (R-195C)
4	YELLOW GREEN ME.	FORCE SILVER ME	PEARL HARVEST GREEN	PEARL HARVEST GREEN (GY-136P)
5	DARK GREY	BLACK-NH-1	TRANSPARENT	PEARL FADELESS WHITE (NH-341P)

F-27
STRIPE/ MARKS

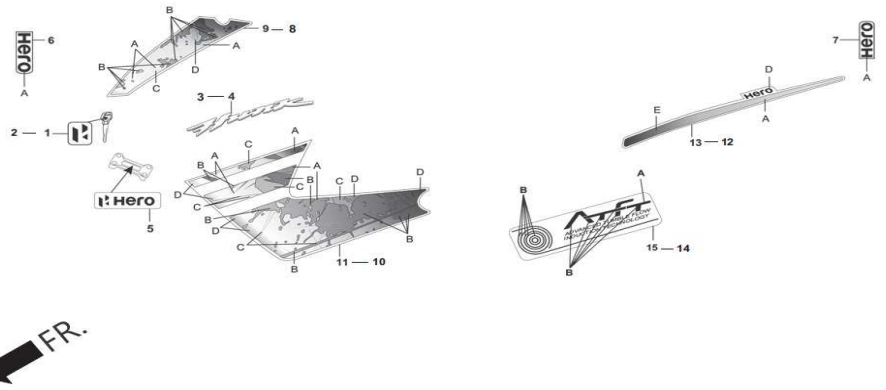


Service Item **F.R.T.** **Group Number: F-27 Model :: HUNK (Feb, 2016) EURO III**

Ref No.	Part Number	Description	Req.
13	86772-AAK-100R	STRIPE L RR COWL(TYPE-1)	1
	86772-AAK-100U	STRIPE L RR COWL(TYPE-4)	1
	86772-AAK-100V	STRIPE L RR COWL(TYPE-5)	1
	86772-AAK-100X	STRIPE L RR COWL(TYPE-7)	1
	86772-AAK-100Z	STRIPE L RR COWL(TYPE-9)	1

SPECIFIED COLOUR CHART FOR MARK LEFT RR. COWL				
SPECIFIED COLOUR TYPE	A	D	E	MAIN BODY COLOUR
1	RED-1	FORCE SILVER ME	PANTHER BLACK ME.	PANTHER BLACK ME. (NH-B08M)
2	VINE RED YELLOW	FORCE SILVER ME	MAT BLACK	MAT BLACK (NH-105)
3	WHITE -2	WHITE -2	CANDY BLAZING RED	CANDY BLAZING RED (R-195C)
4	YELLOW GREEN ME.	FORCE SILVER ME	PEARL HARVEST GREEN	PEARL HARVEST GREEN (GY-136P)
5	DARK GREY	BLACK-NH-1	TRANSPARENT	PEARL FADELESS WHITE (NH-341P)

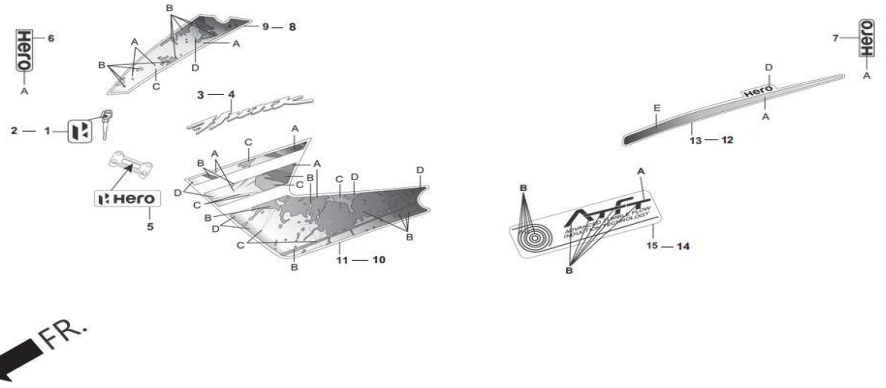
F-27
STRIPE/ MARKS



Service Item	F.R.T.	Group Number: F-27 Model :: HUNK (Feb, 2016) EURO III		
Ref No.	Part Number	Description	Req.	
14	86833-AAK-100R	MARK, ATFT R.	1	

SPECIFIED COLOUR CHART FOR MARK RIGHT SIDE COVER A			
SPECIFIED COLOUR TYPE	C	D	MAIN BODY COLOUR
			PANTHER BLACK ME. (NH-B08M)
			MAT BLACK (NH-105)
	R-321 SPORTS RED	NH-411 FORCE SILVER METALLIC	CANDY BLAZING RED (R-195C)
			PEARL HARVEST GREEN (GY-136P)
			PEARL FADELESS WHITE (NH-341P)

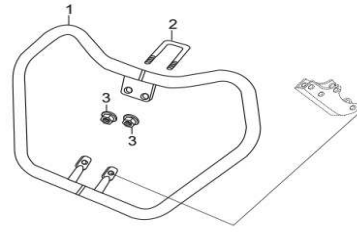
F-27
STRIPE/ MARKS



Service Item	F.R.T.	Group Number: F-27 Model :: HUNK (Feb, 2016) EURO III		
Ref No.	Part Number	Description	Req.	
15	86834-AAK-100R	MARK, ATFT L	1	

SPECIFIED COLOUR CHART FOR MARK LEFT SIDE COVER A			
SPECIFIED COLOUR TYPE	C	D	MAIN BODY COLOUR
	R-321 SPORTS RED	NH-411 FORCE SILVER METALLIC	PANTHER BLACK ME. (NH-B08M)
			MAT BLACK (NH-105)
			CANDY BLAZING RED (R-195C)
			PEARL HARVEST GREEN (GY-136P)
			PEARL FADELESS WHITE (NH-341P)

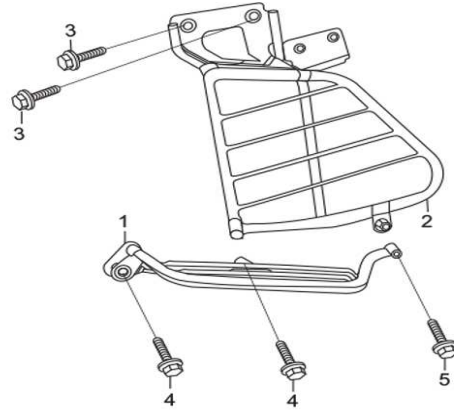
F-28
GUARD FRONT



FR.

Service Item	F.R.T.	Group Number: F-28 Model :: HUNK (Feb, 2016) EURO III		
Ref No.	Part Number	Description	Req.	
1	50803-KVE-900	GUARD, FRONT	1	
2	50805-KVE-900	U-CLAMP	1	
3	94050-08070	NUT, FLANGE, 8MM	2	

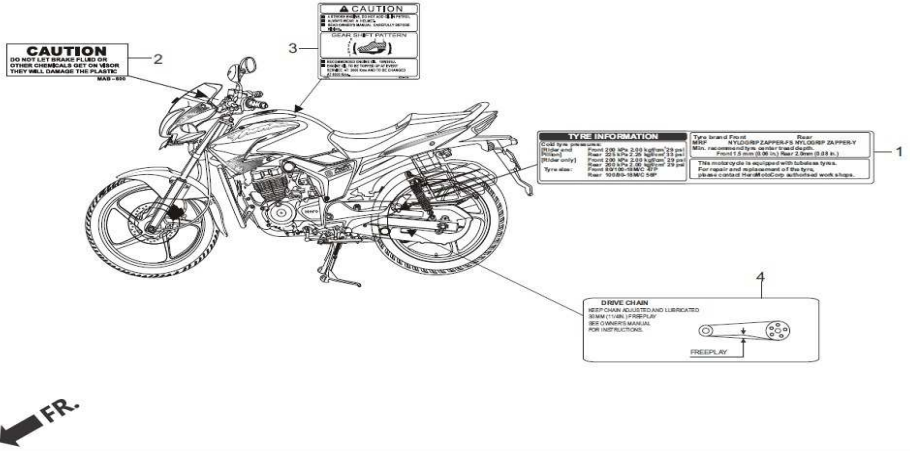
F-29
GUARD SARI



FR.

Service Item	F.R.T.	Group Number: F-29 Model :: HUNK (Feb, 2016) EURO III			
* GUARD, SARI	0.3	Ref No.	Part Number	Description	Req.
		1	51102-AAK-100	STEP, PILLION	1
		2	51103-KVN-950	GUARD, SARI	1
		3	95701-08016-00	BOLT, FLANGE, 8X16	2
		4	95701-08030-00	BOLT, FLANGE, 8 X 30	2
		5	95701-08035-00	BOLT, FLANGE, 8 X 35	1

F-30
CAUTION LABEL



Service Item	F.R.T.	Group Number: F-30 Model :: HUNK (Feb, 2016) EURO III			
Ref No.	Part Number	Description	Req.		
1	87505-AAR-H70	LABEL TYRE	1		
2	87522-MAB-600	LABEL, VISOR CAUTION	1		
3	87560-AAB-H00	LABEL DRIVE	1		
4	87507-MCW-D20	LABLE, DRIVE CHAIN	1		

PARTS INDEX

PART NO.	BLOCK	PART NO.	BLOCK	PART NO.	BLOCK
06435-KRY-971	F-10B-DISC	13105-AAB-305	E-9	16031-AAB-102	E-13
06451-KCC-841	F-8	13111-KSP-910	E-9	16032-AAB-102	E-13
06451-MA7-405	F-10B-DISC	13201-KRM-840	E-9	16033-AAB-102	E-13
06455-KCC-841	F-8	13380-KRM-840	E-9	16034-AAB-102	E-13
11100-KVE-900	E-8	13412-KSP-910	E-9	16035-AAB-102	E-13
11108-KTN-900	E-8	14100-AAB-100	E-2	16036-AAB-102	E-13
11200-KVE-900	E-8	14311-KRM-840	E-9	16037-AAB-102	E-13
11215-KSP-910	E-8	14321-KRM-840	E-4	16046-AAB-102	E-13
11216-KRM-840	E-8	14401-KCW-851	E-4	16050-AAB-102	E-13
11217-KRM-840	E-8	14430-KSP-910	E-2	16075-AAB-102	E-13
11330-AAK-100	E-5	14451-KRM-840	E-2	16100-AAB-801	E-13
11341-KVN-900	E-7C	14510-KVE-900	E-4	16107-AAB-102	E-13
11360-AAK-H00	E-7C	14515-KRM-840	E-4	16111-AAB-102	E-13
11365-KSP-910	E-7C	14520-KVE-900	E-4	16119-AAB-102	E-13
11393-KWK-900	E-5	14560-KSP-910	E-4	16150-KTN-700H	F-3
11395-KWK-900	E-7C	14610-KSP-910	E-4	16155-AAB-102	E-13
12100-KVE-900	E-3	14711-KSP-910	E-2	16163-AAB-102	E-13
12191-KWK-900	E-3	14721-KVE-900	E-2	16165-AAB-102	E-13
12195-KVE-900	E-1A	14751-AAB-100	E-2	16173-001-000	F-13
12195-KVE-900	E-3	14761-AAB-100	E-2	16199-KVE-930	F-15
12200-AAB-700	E-1A	14771-KSP-910	E-2	16210-AAB-701	E-1A
12204-KRM-305	E-1A	14777-KSP-910	E-2	16217-KSP-910	E-1A
12205-KSP-305	E-1A	14781-MA6-000	E-2	16222-KSP-910	E-1A
12209-GB4-685	E-2	15100-KRM-840	E-8A	16950-AAK-200	F-13
12210-KSP-910	E-1A	15130-KRM-840	E-8A	16952-KVN-900	F-13
12212-KRM-840	E-1A	15331-KRM-840	E-8A	16953-GT4-305	F-13
12213-KSP-910	E-1A	15332-KRM-840	E-8A	16955-AAK-200	F-13
12251-KRM-B41	E-1A	15421-KTN-900	E-8A	16959-HB3-000	F-13
12310-KVE-900	E-1	15430-KSP-910	E-8A	16967-MA2-770	F-13
12391-KRM-840	E-1	15436-KRM-840	E-8A	17208-KVE-900	F-15
12396-KRM-840	E-1	15441-KCS-650	E-8A	17211-AAB-100	F-15
12397-KSP-910	E-1	15446-107-000	E-8A	17213-KRY-900	F-15
12398-KSP-910	E-1	15459-KWK-900	E-8A	17214-KRY-900	F-15
13000-AAB-100	E-9	15650-KVN-970	E-5	17215-KTN-700	F-15
13011-KRM-305	E-9	15772-KTN-900	F-25	17216-KVN-900	F-15
13021-KRM-305	E-9	15772-KTN-900	F-15	17219-KVE-900	F-15
13031-KRM-305	E-9	16010-AAB-102	E-13	17222-KVE-900	F-15
13041-KRM-305	E-9	16012-AAB-801	E-13	17225-KVN-900	F-15
13051-KRM-305	E-9	16013-AAB-102	E-13	17232-KVN-970	F-24A
13101-AAB-100	E-9	16015-AAB-102	E-13	17234-KS4-770	F-15
13102-AAB-305	E-9	16016-AAB-102	E-13	17234-KVN-900	F-15
13103-AAB-305	E-9	16027-AAB-102	E-13	17235-KVE-900	F-15
13104-AAB-305	E-9	16028-AAB-102	E-13	17245-KVN-900	F-15

PART NO.	BLOCK	PART NO.	BLOCK	PART NO.	BLOCK
22120-KRM-840	E-6	24652-KSP-910	E-12	31100-KSP-B01	E-7
22201-KPM-850	E-6	24700-KVE-900	F-18-DISC	31110-KSP-B01	E-7A
22201-MR8-000	E-6	24700-KVE-900	F-18-DRUM	31110-KSP-B01	E-7
22321-KPS-900	E-6	24701-KVE-900	F-18-DISC	31120-KSP-B01	E-7
22355-KRM-840	E-6	24701-KVE-900	F-18-DRUM	31120-KSP-B01	E-7A
22361-KPK-900	E-6	24711-KVE-900	F-18-DISC	31200-KSP-901	E-7B
22366-KSP-910	E-6	24711-KVE-900	F-18-DRUM	31201-KPT-A01	E-7B
22401-KRM-840	E-6	24720-KFN-850	F-18-DISC	31204-KG8-004	E-7B
22810-KRM-B00	E-5	24720-KFN-850	F-18-DRUM	31205-KTC-921	E-7B
22815-428-000	E-5	24721-GS3-000	F-18-DISC	31206-KPH-881	E-7B
22821-KRM-840	E-5	24721-GS3-000	F-18-DRUM	31207-MBE-008	E-7B
22870-KVN-900	F-3	24781-KR3-770	F-18-DISC	31500-KRP-801	F-24A
22871-KTN-700	F-3	24781-KR3-770	F-18-DRUM	31600-KWS-901	F-24
23121-KVE-860	E-9	28110-KTN-900	E-7A	31700-124-000	F-24
23210-KSP-910	E-10	28120-KTR-A00A	E-7A	31916-KRM-84099	E-1A
23220-KTN-900	E-10	28131-KTN-900	E-7A	32100-AAK-200	F-24
23421-KVN-900	E-10	28132-KN6-930	E-7A	32101-KVN-970	F-24
23427-KRM-840	E-10	28133-KRM-850	E-7A	32108-344-820	F-24
23427-KRM-840	E-11	28211-KRM-840	E-11	32111-KSP-910	E-7
23431-KVN-900	E-10	28215-KRM-840	E-11	32111-KSP-910	E-7A
23432-KRM-840	E-10	28221-KTN-900	E-11	32161-404-000	F-3
23441-KVN-900	E-10	28223-KVN-840	E-11	32401-KVN-970	F-24
23451-KVN-900	E-10	28231-KRM-840	E-11	32406-KVN-970	F-24
23461-KVN-900	E-10	28241-AAK-H00	F-18-DISC	32410-KVN-970	F-24
23471-KVN-900	E-10	28241-AAK-H00	F-18-DRUM	32411-253-000	F-24
23472-KSP-910	E-10	28251-KTN-900	E-11	32413-KRY-970	F-24
23481-KVN-900	E-10	28261-KRM-840	E-11	32414-KVN-970	F-24
23491-KVN-900	E-10	28282-KRM-840	E-11	32418-KRY-970	F-24
23492-KSP-910	E-10	28293-333-000	F-18-DISC	32601-KVN-970	F-24
23501-KVN-900	E-10	28293-333-000	F-18-DRUM	32602-KVN-900	F-24
23801-KCT-690	E-10	28300-AAK-H00	F-18-DISC	33101-KVN-901	F-1
23811-KR3-600	E-10	28300-AAK-H00	F-18-DRUM	33108-KRY-900	F-1
24211-KRM-840	E-12	28307-AAK-H60	F-18-DISC	3310B-AAK-201	F-1
24212-KRM-840	E-12	28307-AAK-H60	F-18-DRUM	33110-AAK-201	F-1
24241-KRM-840	E-12	28311-KC5-000	F-18-DISC	33112-KTN-921	F-1
24242-KRM-840	E-12	28311-KC5-000	F-18-DRUM	33128-GBL-000	F-1
24301-KSP-910	E-12	28333-KK0-000	F-18-DISC	33150-KVN-901	F-1
24410-KSP-860	E-12	28333-KK0-000	F-18-DRUM	33307-KVN-901	F-22
24430-KTN-900	E-12	30401-KVE-901	F-24	3331A-AAK-201	F-22
24436-KSP-910	E-12	30410-AAB-101	F-24	3331B-AAK-201	F-22
24610-KSP-910	E-12	30500-AAB-H61	F-24	3331C-AAK-201	F-22
24627-KRM-840	E-12	30700-KTC-A21	F-24	3331D-AAK-201	F-22
24651-KSP-910	E-12	31100-KSP-B01	E-7A	33401-AAB-401	F-22

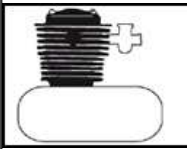
PART NO.	BLOCK	PART NO.	BLOCK	PART NO.	BLOCK
35759-KVN-900	E-8	42301-KVE-900	F-11-DISC	43503-MEE-006	F-10A-DISC
35850-KR3-870	F-24	42301-KVE-900	F-11-DRUM	43504-MB2-006	F-10A-DISC
35856-KBG-007	F-24	42303-KRY-931	F-11-DISC	43510-KRY-971	F-10A-DISC
37100-KVN-971	F-2	42303-KRY-931	F-11-DRUM	43511-KW7-881	F-10A-DISC
37101-KVN-971	F-2	42311-KVE-900	F-11-DISC	43512-KVN-971	F-10A-DISC
37213-KVN-971	F-2	42311-KVE-900	F-11-DRUM	43514-KS6-701	F-10A-DISC
37214-KVN-971	F-2	42313-240-000	F-10	43520-MJ6-315	F-10A-DISC
37215-KVN-971	F-2	42601-AAK-H81	F-11-DRUM	43530-MV9-006	F-10A-DISC
37216-KVN-971	F-2	42601-AAR-H71	F-11-DISC	44301-KSP-900	F-9
37217-KVN-971	F-2	42611-KRY-930	F-11-DRUM	44311-KRC-900	F-9
37300-KVN-970H	F-2	42611-KVN-970	F-11-DISC	44601-AAK-H71	F-9
37312-KVN-971	F-2	42620-KSP-900	F-11-DISC	44620-400-000	F-9
37400-KVN-971	F-2	42620-KSP-900	F-11-DRUM	44680-KSP-B00	F-9
37500-KVN-971	F-2	42704-MCF-D60	F-9	44711-KRY-971	F-9
37800-KVN-901	F-13	42705-MER-D00	F-9	44800-KVN-971	F-9
37890-AAB-102	E-13	42706-MCF-D60	F-9	44818-KSP-B00	F-9
38110-AAK-201	F-25	42711-KRY-971	F-11-DISC	45107-KCC-841	F-8
38117-KFE-701	F-25	42711-KRY-971	F-11-DRUM	45108-KCC-841	F-8
38201-KVN-910	F-24	42753-KWF-901	F-9	45108-KCC-841	F-10B-DISC
38301-KVN-971	F-24	42753-KWF-901	F-11-DISC	45111-MAJ-G41	F-10B-DISC
38306-KK4-000	F-24	42753-KWF-901	F-11-DRUM	45126-KVE-900	F-3A
38502-KSP-910	F-24	43100-KRY-930	F-10	45131-GE2-006L	F-10B-DISC
38506-KSP-910	F-24	43107-MA7-006	F-10B-DISC	45132-166-016L	F-10B-DISC
40510-KVN-900	F-19-DISC	43115-KVN-971	F-10B-DISC	45132-KCC-841	F-8
40510-KVN-900	F-19-DRUM	43125-KTN-701	F-10	45133-KCC-841	F-8
40520-KVN-900	F-19-DISC	43145-149-000	F-10	45133-KCC-900	F-10
40520-KVN-900	F-19-DRUM	43150-KRY-972	F-10B-DISC	45133-MA3-006L	F-10B-DISC
40530-KSP-900	F-19-DISC	43155-KRY-970	F-10A-DISC	45134-250-000	F-10
40530-KSP-900	F-19-DRUM	43190-KRY-971	F-10B-DISC	45141-KTC-900	F-10
40531-KCS-690	F-19-DISC	43215-KGH-901	F-10B-DISC	45155-KTN-710	F-3A
40531-KCS-690	F-19-DRUM	43216-MAK-003	F-8	45156-KVE-900	F-3A
40543-KRY-900	F-19-DISC	43251-KVN-971	F-11-DISC	45164-KVN-970	F-9
40543-KRY-900	F-19-DRUM	43310-AAK-100	F-10A-DISC	45203-MCC-006	F-10B-DISC
40544-KRY-900	F-19-DISC	43352-568-003L	F-10B-DISC	45216-166-006	F-10B-DISC
40544-KRY-900	F-19-DRUM	43353-461-771L	F-10B-DISC	45216-KPP-861	F-10B-DISC
40545-001-000	F-19-DISC	43410-KRY-930	F-10	45220-KCC-841	F-8
40545-001-000	F-19-DRUM	43431-AAK-100	F-19-DISC	45250-KCC-841	F-8
40546-KVE-900	F-19-DISC	43431-KTR-900	F-19-DRUM	45251-KSP-861	F-9
40546-KVE-900	F-19-DRUM	43434-ME1-670	F-10	45290-KCC-841	F-8
41201-KVE-900	F-11-DRUM	43451-KVE-901	F-18-DRUM	45352-KCC-841	F-8
41201-KVN-970	F-11-DISC	43455-KSP-900	F-18-DRUM	45353-KCC-841	F-8
41241-KSP-900	F-11-DISC	43456-KSP-900	F-18-DRUM	45504-KCC-841	F-3A
41241-KSP-900	F-11-DRUM	43459-KSP-900	F-18-DRUM	45506-KCC-841	F-3A

PART NO.	BLOCK	PART NO.	BLOCK	PART NO.	BLOCK
50300-AAK-100V	F-13	50803-KVE-900	F-28	53178-KFN-850	F-3
50300-AAK-100X	F-13	50805-KVE-900	F-28	53182-KFN-850	F-3
50300-AAK-100Z	F-13	51102-AAK-100	F-29	53200-KTN-700	F-5
50301-KTR-900	F-5	51103-KVN-950	F-29	53209-GAH-000	F-1
50301-KVN-900	F-27	51104-AAK-200	F-25	53211-268-010	F-5
50328-KVN-900	F-25	51400-AAK-100	F-7	53212-200-000	F-5
50351-KVN-900	F-25	51401-KSP-901	F-7	53214-200-000	F-5
50354-428-000	F-12	51410-KVN-901	F-7	53215-KTR-900	F-5
50383-KRC-900	F-24A	51412-KFN-851	F-7	53216-KVN-970	F-5
50400-KVN-870	F-25	51412-KSP-901	F-7	53216-KVN-970	F-9
50451-GB6-920	F-1A	51420-AAB-000	F-7	53221-KSP-900	F-5
50500-KVE-930	F-18A	51432-KFN-851	F-7	53222-KRM-860	F-5
50505-KCC-900	F-25	51437-KVN-901	F-7	53230-KTN-700	F-4
50507-AAB-400	F-18A	51440-KVN-901	F-7	61100-AAK-100U	F-6
50508-AAB-400	F-18A	51488-KTN-701	F-20	61100-AAK-H70Y	F-6
50509-AAB-400	F-18A	51500-AAK-100	F-7	61100-KVN-970ZA	F-6
50526-KCT-690	F-18A	51520-AAB-000	F-7	61100-KVN-970ZD	F-6
50530-KVE-900	F-18A	52101-KTN-700	F-19-DISC	61100-KVN-970ZE	F-6
50600-KVN-900Z	F-17-DRUM	52101-KTN-700	F-19-DRUM	61102-KVN-900	F-6
50600-KVN-970	F-17-DISC	52110-KVN-900	F-19-DRUM	61103-KRY-900	F-6
50603-KFN-850	F-17-DISC	52110-KVN-970	F-19-DISC	61105-KTC-900	F-6
50603-KFN-850	F-17-DRUM	52143-KVE-900	F-19-DISC	61200-AAK-100U	F-6
50603-KVE-900	F-17-DISC	52143-KVE-900	F-19-DRUM	61200-AAK-H70Y	F-6
50603-KVE-900	F-17-DRUM	52144-KEJ-900	F-19-DISC	61200-KVN-970ZA	F-6
50618-KE8-000	F-17-DISC	52144-KEJ-900	F-19-DRUM	61200-KVN-970ZD	F-6
50618-KE8-000	F-17-DRUM	52170-KVN-900	F-19-DISC	61200-KVN-970ZE	F-6
50619-KFN-850	F-17-DISC	52170-KVN-900	F-19-DRUM	61300-AAK-100U	F-6
50619-KFN-850	F-17-DRUM	52400-AAK-100	F-20	61300-AAK-H70Y	F-6
50619-KTN-700	F-17-DISC	52486-KTN-701	F-20	61300-KVN-970ZAH	F-6
50619-KTN-700	F-17-DRUM	53100-KVE-930	F-4	61300-KVN-970ZDH	F-6
50643-KCT-690	F-17-DISC	53105-KRC-900	F-4	61300-KVN-970ZE	F-6
50643-KCT-690	F-17-DRUM	53131-KVN-900	F-4	61312-KCT-690	F-1A
50661-KVN-900	F-17-DISC	53132-124-000	F-4	61330-KVN-900	F-1A
50661-KVN-900	F-17-DRUM	53132-KZN-900	F-27	61340-KVN-900	F-1A
50700-KVN-900Z	F-17-DISC	53133-198-900	F-4	64100-AAK-100	F-1A
50700-KVN-900Z	F-17-DRUM	53134-028-000	F-4	64101-AAK-100	F-27
50715-KVN-900	F-17-DISC	53135-198-900	F-4	64200-AAK-100R	F-1A
50715-KVN-900	F-17-DRUM	53136-198-900	F-4	64200-AAK-100U	F-1A
50717-KFN-850	F-17-DISC	5313A-AAK-H70	F-4	64200-AAK-100V	F-1A
50717-KFN-850	F-17-DRUM	53140-KFN-850	F-3	64200-AAK-100X	F-1A
50718-KFN-850	F-17-DISC	53166-KFN-850	F-3	64200-AAK-100Z	F-1A
50718-KFN-850	F-17-DRUM	53172-KRC-900	F-3	64206-KVN-970	F-1A
5072A-KEB-H20	F-21A	53175-KSP-900	F-3A	64300-AAK-100R	F-1A

PART NO.	BLOCK	PART NO.	BLOCK	PART NO.	BLOCK
77325-AAK-100Z	F-12	86501-AAK-100Z	F-27	90003-KCC-840	F-3
80100-KVN-900	F-21	86502-AAK-100R	F-27	90003-KFG-000	E-1
80101-443-000	F-2	86502-AAK-100U	F-27	90003-KVS-900	E-12
80101-KVN-900	F-13	86502-AAK-100V	F-27	90005-KY7-000	E-4
80102-KVN-900	F-21	86502-AAK-100X	F-27	90006-MEE-000	E-1A
80111-KVN-900	F-21	86502-AAK-100Z	F-27	90008-KRM-840	E-6
80112-KVN-900	F-21	86771-AAK-100R	F-27	90012-KK3-830	E-2
80201-KVN-900	F-23	86771-AAK-100U	F-27	90019-399-010	F-25
80202-KVE-900	F-23	86771-AAK-100V	F-27	90022-MG8-000	E-12
80203-KVE-900	F-23	86771-AAK-100X	F-27	90031-KSP-910	E-8
83520-AAK-100	F-14	86771-AAK-100Z	F-27	90040-KSP-910	E-1A
83545-KCJ-690	F-12	86772-AAK-100R	F-27	90071-MB0-000	E-7B
83545-KVN-900	F-14	86772-AAK-100U	F-27	90074-KVE-900	F-13
83550-AAK-100U	F-14	86772-AAK-100V	F-27	90083-KRM-840	E-4
83550-AAK-H70Y	F-14	86772-AAK-100X	F-27	90084-041-000	E-10
83550-KVN-970R	F-14	86772-AAK-100Z	F-27	90084-KVE-930	E-7C
83550-KVN-970U	F-14	86833-AAK-100R	F-27	90085-KTC-920	E-7A
83550-KVN-970V	F-14	86834-AAK-100R	F-27	90087-KVE-900	E-7C
83551-300-000	F-13	87505-AAR-H70	F-30	90101-087-720	F-12
83551-376-000	F-1A	87507-MCW-D20	F-30	90101-087-720	F-14
83601-KVN-900	F-23	87522-MAB-600	F-30	90101-087-720	F-21
83620-AAK-100	F-14	87560-AAB-H00	F-30	90101-GE0-000	F-1A
83650-AAK-100U	F-14	88110-AAK-100U	F-3	90101-GJ6-000	F-1
83650-AAK-H70Y	F-14	88110-AAK-H01ZA	F-3	90102-KVN-900	F-4
83650-KVN-970R	F-14	88110-AAK-H01ZD	F-3	90103-KVN-900	F-12
83650-KVN-970U	F-14	88110-AAK-H01ZE	F-3	90103-KVN-900	F-21
83650-KVN-970V	F-14	88110-AAK-H70Y	F-3	90103-MCS-G00	F-10A-DISC
84701-AAK-200	F-21	88114-198-D10	F-3	90104-KVN-900	F-22
84702-KCC-900	F-12	88115-KTR-900	F-3	90105-KL8-741	F-9
86271-AAK-100R	F-27	88120-AAK-100U	F-3	90105-KL8-741	F-11-DISC
86271-AAK-100U	F-27	88120-AAK-H01ZA	F-3	90105-KVN-900	F-1A
86271-AAK-100V	F-27	88120-AAK-H01ZD	F-3	90105-KVN-900	F-14
86271-AAK-100X	F-27	88120-AAK-H01ZE	F-3	90106-KRY-970	F-6
86271-AAK-100Z	F-27	88120-AAK-H70Y	F-3	90106-KVN-900	F-14
86272-AAK-100R	F-27	88150-KVN-900	F-21	90107-428-000	F-21A
86272-AAK-100U	F-27	89102-538-000	F-26	90107-GN1-010	F-18A
86272-AAK-100V	F-27	89102-AAC-000	F-26	90107-KST-940	F-16
86272-AAK-100X	F-27	89103-538-000	F-26	90108-KVN-900	F-13
86272-AAK-100Z	F-27	89215-AAC-000	F-26	90110-KVE-900	F-24
86501-AAK-100R	F-27	89216-AAD-H00	F-26	90111-187-000	F-15
86501-AAK-100U	F-27	90001-KFN-850	F-17-DISC	90111-KCC-841	F-3A
86501-AAK-100V	F-27	90001-KFN-850	F-17-DRUM	90111-MR5-000	F-24
86501-AAK-100X	F-27	90002-KRM-840	E-1A	90112-KCC-841	F-3A

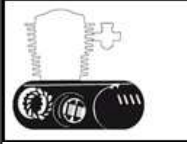
PART NO.	BLOCK	PART NO.	BLOCK	PART NO.	BLOCK
90401-KRM-840	E-6	90601-KAF-003	F-18-DISC	91305-KPH-900	E-8
90404-KPT-A00	E-1A	90601-KAF-003	F-18-DRUM	91305-KRM-840	E-7C
90417-041-000	F-25	90601-KFN-851	F-7	91306-MG3-000	E-4
90417-041-000	E-12	90602-KRM-840	E-11	91307-KRM-840	E-5
90432-KPT-A00	E-8A	90605-200-000	E-10	91309-425-003	E-7B
90441-KRM-840	E-8	90651-KCC-841	F-3A	91309-MJ0-003	E-1
90451-KRM-840	E-11	90651-MK3-780	F-15	91320-MB0-000	E-7B
90452-GB4-770	E-10	90701-KFN-850	E-5	91352-KSP-900	F-11-DISC
90452-GB4-770	E-11	90704-KRM-840	E-1A	91352-KSP-900	F-11-DRUM
90452-KRM-840	E-10	90741-KFB-000	E-9	91356-KAG-900	F-7
90453-KRM-840	E-10	90741-KGH-900	E-9	91406-KFN-850	F-15
90454-107-000	E-10	90755-229-000	F-9	91455-MG8-000	F-4
90455-KSP-910	E-11	90899-KVN-900	F-1A	91551-PNA-003	F-24
90456-KRM-840	E-10	91001-KTN-900	E-9	92101-06012-OG	F-17-DISC
90457-KRM-840	E-12	91002-KSP-911	E-9	92101-06012-OG	F-17-DRUM
90463-KRM-840	E-1	91003-KSP-910	E-10	92811-10000	F-10
90501-KPT-A00	E-7	91004-KTN-900	E-10	92915-10025-0E	F-11-DISC
90501-KPT-A00	E-7A	91005-KTN-900	E-10	92915-10025-0E	F-11-DRUM
90501-KPT-A00	E-6	91006-KTN-900	E-10	93500-04025-OG	F-13
90502-155-000	F-18-DISC	91008-KTN-900	E-2	93500-04032-OG	F-15
90502-155-000	F-18-DRUM	91022-KTN-900	E-7A	93500-05016-1H	F-15
90502-KRY-930	F-18-DRUM	91071-KVN-900	F-19-DISC	93600-04045-1G	F-10A-DISC
90502-KVE-900	F-25	91071-KVN-900	F-19-DRUM	93700-05012-0A	E-8A
90503-KTR-900	F-4	91101-KTN-901	E-9	93892-05020-07	F-3
90505-425-000	F-10	91102-KTN-901	E-9	93892-05025-07	F-3
90505-KRM-860	F-18-DISC	91103-KTN-901	E-9	93892-05035-07	F-3
90505-KRM-860	F-18-DRUM	91202-KSP-911	E-5	93892-05045-07	F-3
90521-292-000	F-7	91203-KSP-910	E-8	93893-04012-17L	F-10A-DISC
90525-030-000	F-2	91204-MC7-003	E-5	93901-04012-00	F-1
90525-428-900	F-25	91212-422-006	F-10A-DISC	93901-24480	F-23
90534-MV4-000	F-13	91216-KSP-910	E-10	93901-34120	E-8A
90543-MV9-670	E-1	91251-KPH-901	F-9	93901-42480	F-2
90544-KFN-851	F-7	91253-KSP-901	F-11-DISC	93903-34220	F-21
90545-300-000	F-3A	91253-KSP-901	F-11-DRUM	93903-34320	F-6
90545-300-000	F-10A-DISC	91254-GAA-003R	F-7	93903-34380	F-1A
90551-178-000	F-20	91254-KS6-003	F-19-DISC	93903-34380	F-12
90559-KRY-970	F-11-DISC	91254-KS6-003	F-19-DRUM	93903-34380	F-13
90559-KVN-900	F-11-DRUM	91255-KRM-852	F-7	93903-34380	F-14
90560-KVN-970	F-11-DISC	91257-230-003	F-11-DISC	93903-34420	F-23
90560-KVN-970	F-11-DRUM	91258-KEJ-900	F-9	93903-34420	F-21
90563-355-000	F-12	91303-KRM-840	E-7C	93903-35280	F-12
90601-001-000	E-10	91304-KRM-840	E-1A	93903-35280	F-21
90601-KAF-003	F-25	91305-443-740	F-13	94001-06090-0S	F-2

PART NO.	BLOCK	PART NO.	BLOCK	PART NO.	BLOCK
94201-20150	F-18-DISC	95701-06014-18	F-24	95801-08090-00	F-18-DRUM
94201-20150	F-18-DRUM	95701-06016-00	F-24	95801-08095-00	F-25
94201-20150	F-19-DISC	95701-06016-00	E-1	95801-10035-00	F-20
94201-20150	F-19-DRUM	95701-06016-00	E-8	95801-10055-00	F-16
94201-30300	F-18A	95701-06016-00	E-11	96001-06012-00	E-1
94251-08000	E-8A	95701-06016-00	E-1A	96001-06012-00	F-18-DISC
94301-08140	E-1	95701-06016-00	E-4	96001-06012-00	F-18-DRUM
94301-08140	E-7C	95701-06016-07	F-23	96001-06012-07	F-3A
94301-08140	E-8	95701-06018-08	F-12	96001-06012-07	F-5
94301-08140	E-8A	95701-06020-00	E-8	96001-06014-02	F-16
94301-08140	E-5	95701-06020-00	F-1A	96001-06018-00	E-8
94301-10120	E-1A	95701-06020-00	F-12	96001-06020-00	F-24
94301-10120	E-3	95701-06020-00	F-18-DISC	96001-06022-00	E-4
94305-20102	F-10A-DISC	95701-06020-00	F-18-DRUM	96001-06022-07	F-3
94510-14000	E-12	95701-06020-07	F-25	96001-06030-00	E-7C
94510-16000	E-11	95701-06020-07	F-21	96001-06030-00	E-5
94591-27000	F-21	95701-06022-00	E-7B	96001-06032-00	F-6
94601-14000	E-9	95701-06022-00	E-1A	96001-06035-00	E-7C
95002-02070	F-25	95701-06022-00	F-12	96001-06040-00	E-5
95002-02080	F-13	95701-06022-08	F-10A-DISC	96001-06045-00	E-7C
95002-02100	F-13	95701-06030-00	F-25	96100-60030-00	E-6
95002-02130	F-13	95701-06035-00	E-8A	96140-63020-10	F-11-DISC
95002-70000	F-15	95701-06035-00	F-10	96140-63020-10	F-11-DRUM
95002-80000	F-15	95701-06040-00	E-8	96150-60050-10	F-11-DISC
95005-45470-20	F-13	95701-06045-00	E-8	96150-60050-10	F-11-DRUM
95005-80350-20	F-13	95701-06070-00	E-8	96150-63010-10	F-9
95005-80800-20	F-13	95701-08016-00	F-29	96211-08000	F-5
95014-72102	F-18A	95701-08020-00	F-18-DISC	96211-08000	F-18-DISC
95015-53000	F-18-DRUM	95701-08020-00	F-18-DRUM	96211-08000	F-18-DRUM
95015-54000	F-10A-DISC	95701-08022-08	F-25	96220-30085	E-12
95018-54320	F-15	95701-08025-08	F-13	96600-06016-00	E-7
95020-15100	F-11-DISC	95701-08028-00	F-18-DISC	96600-06016-00	E-7A
95020-15100	F-11-DRUM	95701-08028-00	F-18-DRUM	96600-06022-00	E-7
95701-06008-00	F-24A	95701-08030-00	F-29	96600-06022-00	E-7A
95701-06012-00	F-24	95701-08035-00	F-29	96700-06012-07	F-5
95701-06012-00	F-24A	95701-08035-07	F-5	96700-06020-07	F-5
95701-06012-00	F-1A	95701-08040-07	F-18-DISC	96700-08020-00	F-4
95701-06012-07	F-25	95701-08040-07	F-18-DRUM	98200-31000	F-24
95701-06012-07	F-19-DISC	95701-10025-00	F-17-DISC	98200-31500	F-24
95701-06012-07	F-19-DRUM	95701-10025-00	F-17-DRUM	98200-32000	F-24
95701-06012-07	F-21	95801-06105-00	E-1A	99007-AAK-100	F-26
95701-06012-08	F-10A-DISC	95801-08090-00	F-25	99101-AAB-1275	E-13
95701-06014-00	E-1A	95801-08090-00	F-18-DISC	99103-AAB-0125	E-13



E-1
E-1A
E-2
E-3

CYLINDER HEAD COVER	1
CYLINDER HEAD	2
CAM SHAFT / VALVE	4
CYLINDER	5



E-4
E-5
E-6
E-7
E-7A
E-7B
E-7C
E-8
E-8A

CAM CHAIN TENSIONER	6
RIGHT CRANK CASE COVER	7
CLUTCH	8
A. C. GEN. ASSY.	9
A. C. GEN. ASSY.	10
STARTER MOTOR	11
LEFT CRANK CASE COVER	12
CRANK CASE	13
OIL PUMP	14



E-9
E-10
E-11
E-12
E-13

CRANK SHAFT / PISTON	15
TRANSMISSION	18
SPINDLE KICK STARTER	20
DRUM GEAR SHIFT	21
CARBURETTOR	22



F-1
F-1A
F-2
F-3
F-3A
F-4
F-5
F-6
F-7

HEAD LIGHT 24
FRONT COWL /STAY 25
SPEEDOMETER / CABLE 27
HANDLE LEVER / SWITCH/CABLES 28
FRONT BRAKE MASTER CYL 30
HANDLE PIPE / TOP BRIDGE 32
STRG. STEM 34
FRONT FENDER 35
FRONT FORK 37



F-8
F-9
F-10
F-10A-DISC
F-10B-DISC
F-11-DISC
F-11-DRUM

CALIPER ASSY 'R' FR 38
FRONT WHEEL 39
REAR BRAKE PANEL 41
REAR BRAKE MASTER CYL. 42
CALIPER ASSY. REAR 44
REAR WHEEL 45
REAR WHEEL 47



F-12
F-13
F-14
F-15

SEAT ASSY. /COWL 48
FUEL TANK 51
SIDE COVER 54
AIR CLEANER 55



F-16
F-17-DISC
F-17-DRUM
F-18A
F-18-DISC
F-18-DRUM
F-19-DISC
F-19-DRUM
F-20

MUFFLER EXHAUST 57
STEP PILLION 58
STEP PILLION 59
MAIN STAND/SIDE STAND 60
GEAR CHANGE PEDAL/KICK STARTER /PEDAL BRAKE 61
GEAR CHANGE PEDAL/KICK STARTER /PEDAL BRAKE 63
SWINGARM / CHAIN CASE 65
SWINGARM / CHAIN CASE 67
CUSHION REAR 69



-  F-21
-  F-21A
-  F-22
-  F-23

REAR FENDER
 HOLDER ASSY.(OPTIONAL)
 WINKER
 TAIL LIGHT

70
 71
 72
 73



-  F-24
-  F-24A
-  F-25
-  F-26
-  F-27
-  F-28
-  F-29
-  F-30

WIRE HARNESS/START CABLES
 BATTERY ASSY.
 FRAME BODY/ASV/GRIP REAR
 TOOLS
 STRIPE/ MARKS
 GUARD FRONT
 GUARD SARI
 CAUTION LABEL

74
 76
 77
 79
 80
 92
 93
 94